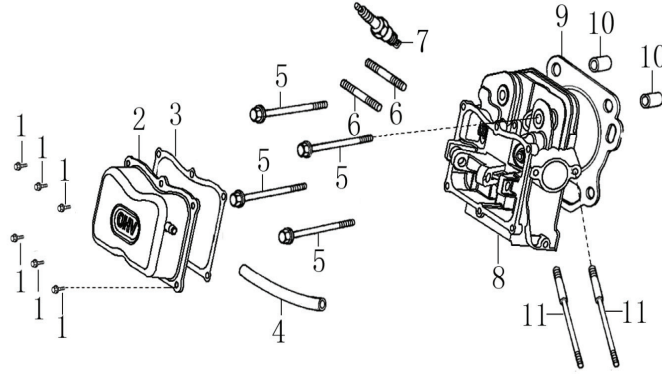
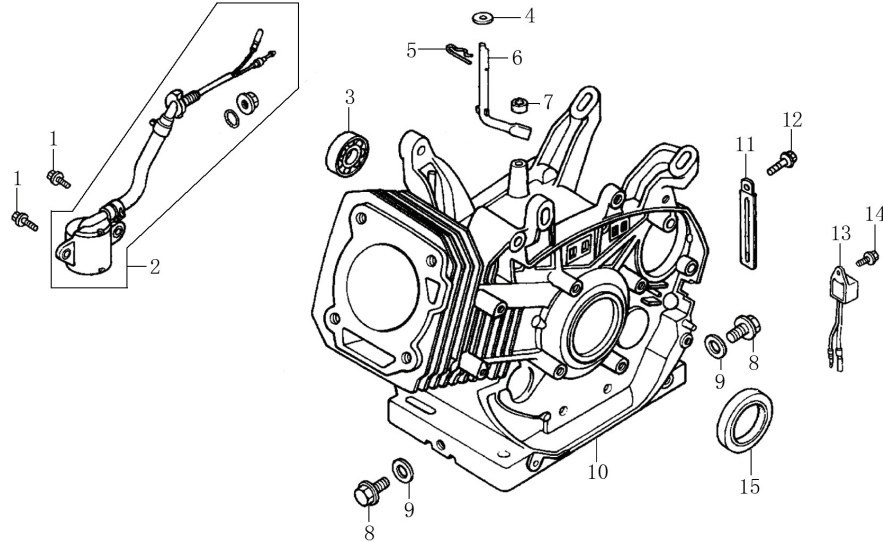


## CYLINDER HEAD



ITEM	DESCRIPTION	QTY	PART #
1	BOLT, FLANGE	6	380140441-0001
2	COVER COMP. HEAD	1	120220049-0001
3	PACKING, HEAD COVER	1	120250038-0001
4	TUBE, BREATHER	1	380740974-0001
5	BOLT, FLANGE, 10x80	4	380140337-0001
6	BOLT, STUD, EXHAUST	2	380180098-0001
7	SPARK PLUG	1	270960025-0001
8	CYLINDER HEAD COMP	1	120080509-0001
9	GASKET, CYLINDER	1	120150141-0001
10	BOLT, STUD, INTAKE	2	380600116-0001
11	BOLT, STUD, EXHAUST	2	380180112-0001

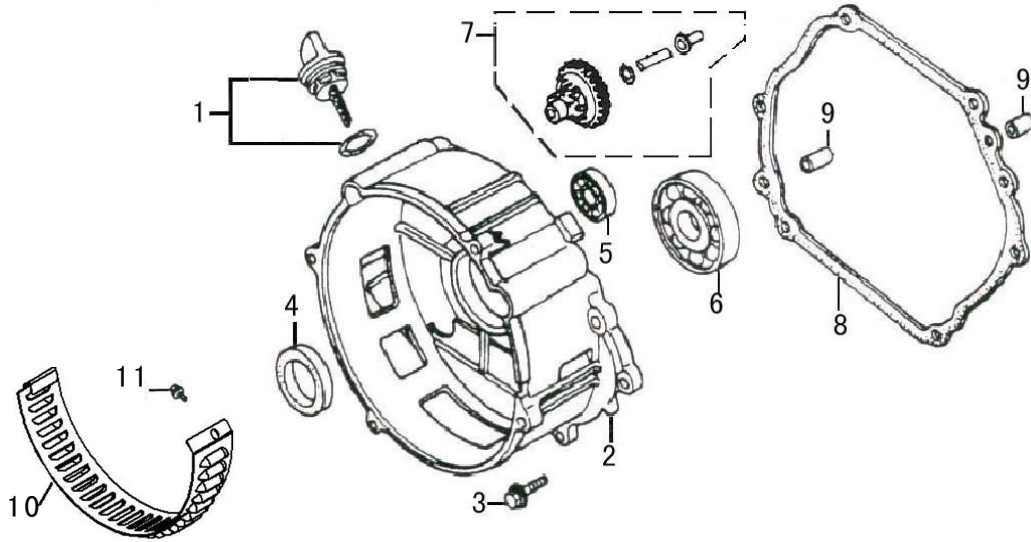
## CRANK CASE



ITEM	DESCRIPTION	QTY	PART #
1	BOLT, FLANGE	2	380140215-0003
2	SWITCH ASSY., OIL LEVEL	1	281850152-0001
3	BEARING, RADIAL BALL, 6202	1	380630099-0001
4	WASHER, 8*16*1.2	1	380450522-0001
5	PIN, LOCK, 10MM	1	381350004-0001
6	SHAFT, GOVERNOR ARM	1	171630003-0001
7	OIL SEAL, $\phi 8 \times \phi 14 \times 4$	1	380650339-0001
8	BOLT, DRAIN PLUG	1	110260024-0001
9	WASHER, DRAIN PLUG, 12MM	2	380450516-0001
10	CRANKCASE (ELECTRIC START)	1	110810220-0001
11	CABLE CLEAT	1	380940346-0001
12	BOLT, FLANGE, 6x12	1	380140001-0006
13	ALERT UNIT, OIL	1	281890001-0001
14	BOLT, FLANGE, 6x12	1	380140001-0006
15	SEAL, OIL	1	380650337-0001

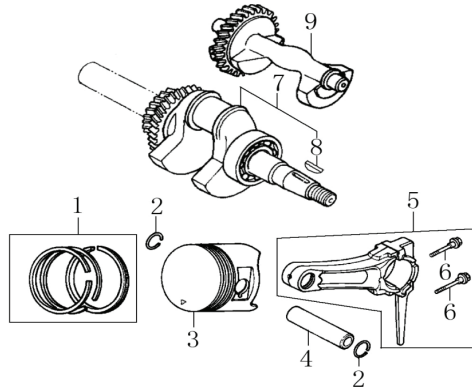


## CRANKCASE COVER



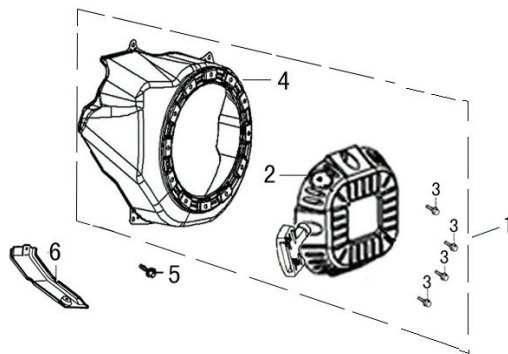
ITEM	DESCRIPTION	QTY	PART #
1	CAP ASSY	1	110690039-0002
2	COVER, CRANKCASE	1	110820012-0001
3	BOLT,FLANGE 8X40	7	380140005-0006
4	SEAL, OIL	1	380650337-0001
5	BEARING, BALL 6202	1	380630099-0001
6	BEARING, BALL 6207	1	380630141-0002
7	GOVERNOR ASSY.	1	171750004-0001
8	GASKET,CRANKCASE COVER	1	110830008-0001
9	PIN, DOWEL	2	380600119-0001
10	COVER, DUST	1	660040006-0001
11	BOLT,FLANGE 5X10	3	380140332-0001

## CRANKSHAFT



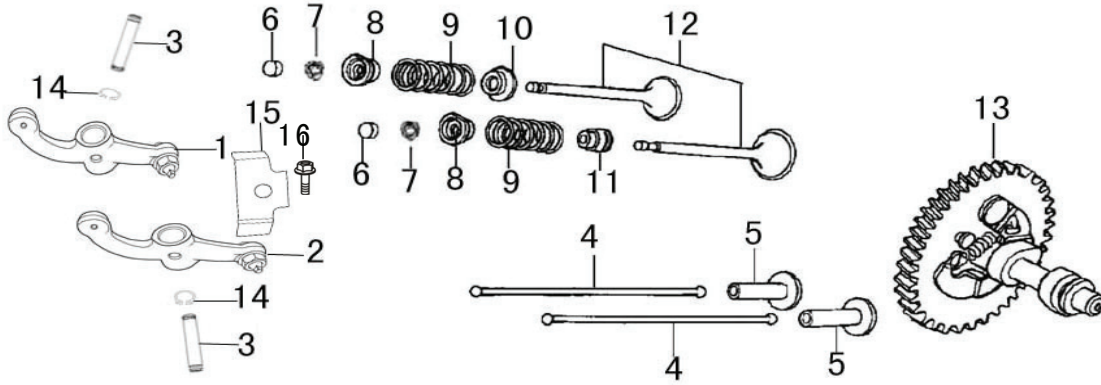
ITEM	DESCRIPTION	QTY	PART #
1	RING SET,PISTON	1	130070155-0001
2	CLIP,PISTON PIN	2	380560057-0001
3	PISTON	1	130030233-0001
4	PIN,PISTON	1	130060034-0001
5	CONNECTING ROD ASSY	1	130150049-0001
6	BOLT,CONNECTING ROD	2	130180002-0001
7	CRANKSHAFT ASSY	1	130290104-0001
8	KEY,SPECIAL WOODRUFF	1	380620050-0001
9	WEIGHT,BALANCER	1	130450016-0001

## STARTER



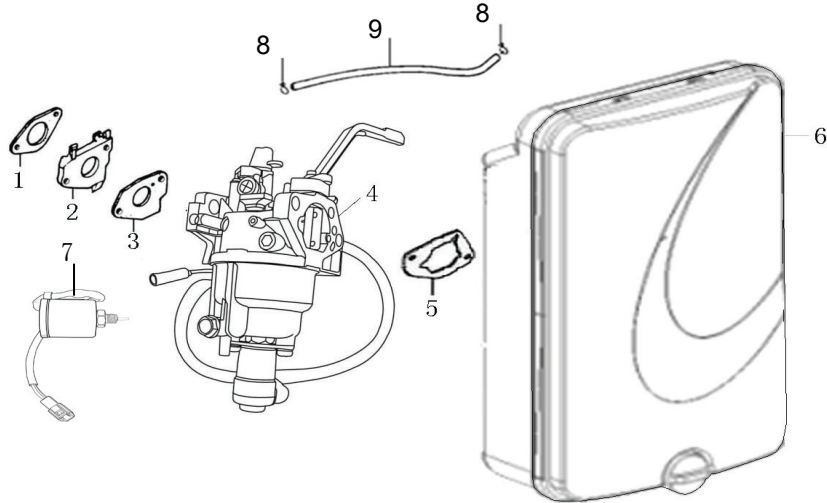
ITEM	DESCRIPTION	QTY	PART #
1	RECOIL STARTER COMP.	1	193490217-0002
2	STARTER ASSY.	1	193500036-0001
3	BOLT,FLANGE 6×8	4	380140089-0003
4	HOUSING, BLOWER	1	160210091-0001
5	BOLT,FLANGE 6×10	5	380140011-0004
6	SHROUD	1	160190063-0001

## CAMSHAFT



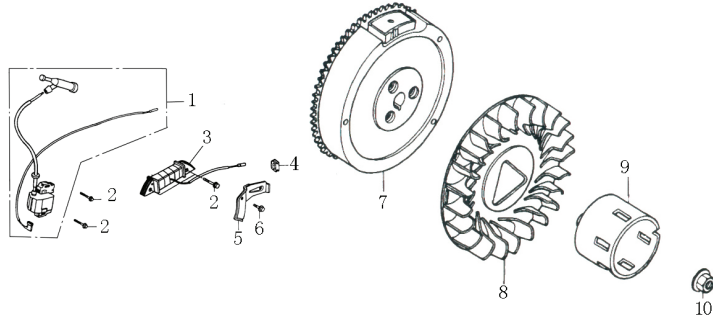
ITEM	DESCRIPTION	QTY	PART #
1	ROCKER ARM ASSY.	1	140450054-0001
2	ROCKER ARM ASSY.	1	140450055-0001
3	SHAFT, VALVE ROCKER	2	140510048-0001
4	PUSH ROD	2	140670035-0001
5	LIFTER , VALVE/TAPPET	2	140690004-0001
6	ROTATOR,VALVE	2	140320002-0001
7	LOCKER,VALVE	4	140390015-0001
8	RETAINER,VALVE SPRING	2	140380021-0001
9	SPRING,VALVE	2	140340025-0001
10	SEAT,VALVE SPRING	1	140360010-0001
11	SEAL,VALVE STEM	1	140400012-0001
12	VALVE ASSY.	1	500550063-0001
13	CAMSHAFT ASSY	1	140020109-0001
14	LOCKER	4	381350016-0001
15	RETAINER,ROCKER ARM SHAFT	1	140530010-0001
16	BOLT,FLANGE	1	380140001-0006

## CARBURETOR



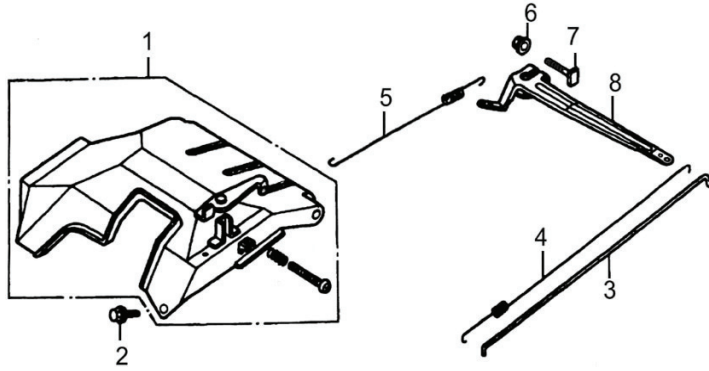
ITEM	DESCRIPTION	QTY	PART #
1	GASKET, INSULATOR	1	170430062-0001
2	SPACER, CARBURETOR	1	170440080-0001
3	GASKET, CARBURETOR	1	170430050-0001
4	CARBURETOR ASSY	1	170021198-0001
5	GASKET, CARBURETOR	1	170430070-0001
6	CLEANER, AIR	1	180020696-0001
7	SOLENOID THROTTLE CONTROL COMP.	1	271830002-0001
8	PIPE CLIP	2	380950332-0001
9	TUBE,FUEL	1	380750576-0001

## FLYWHEEL



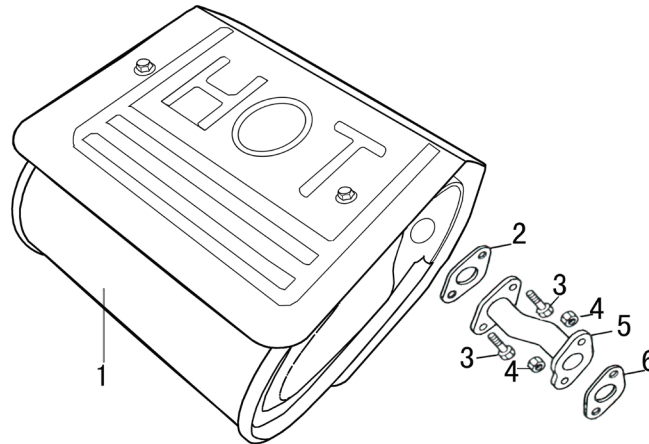
ITEM	DESCRIPTION	QTY	PART #
1	COIL ASSY . , IGNITION	1	270920170-0001
2	BOLT,FLANGE,M6X25	3	380140102-0004
3	COIL ASSY.,CHARGE	1	270190018-0001
4	GROMMET,CORD	1	380930023-0001
5	CLAMPER,CORD	1	270280008-0001
6	BOLT,FLANGE	1	380140001-0006
7	FLYWHEEL	1	270020219-0001
8	FAN, COOLING	1	160180009-0001
9	PULLEY,STARTER	1	193590007-0001
10	NUT SPECIAL,16MM	1	380370050-0001

## CONTROL



ITEM	DESCRIPTION	QTY	PART #
1	CONTROL ASSY.	1	171680089-0001
2	NUT, FLANGE M6	2	380140001-0006
3	ROD, GOVERNOR	1	171590021-0001
4	SPRING, THROTTLE RETURN	1	171610020-0001
5	SPRING , CABLE RETURN	1	171600016-0001
6	NUT, FLANGE M6	1	380370048-0001
7	BOLT, QUADRATE HEAD	1	380250002-0001
8	ARM, GOVERNOR	1	171620009-0001

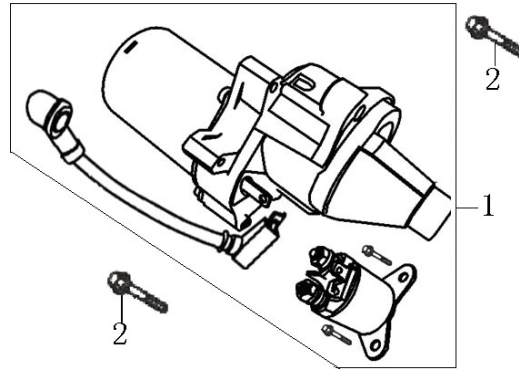
## MUFFLER



ITEM	DESCRIPTION	QTY	PART #
1	MUFFLER ASSY	1	180571856-0001
2	GASKET,EX.PIPE	1	180660049-0001
3	BOLT,FLANGE	2	380140028-0004
4	NUT	2	380340005-0005
5	PIPE,EXHAUST	1	180590226-0001
6	GASKET,EX.PIPE	1	180650090-0001

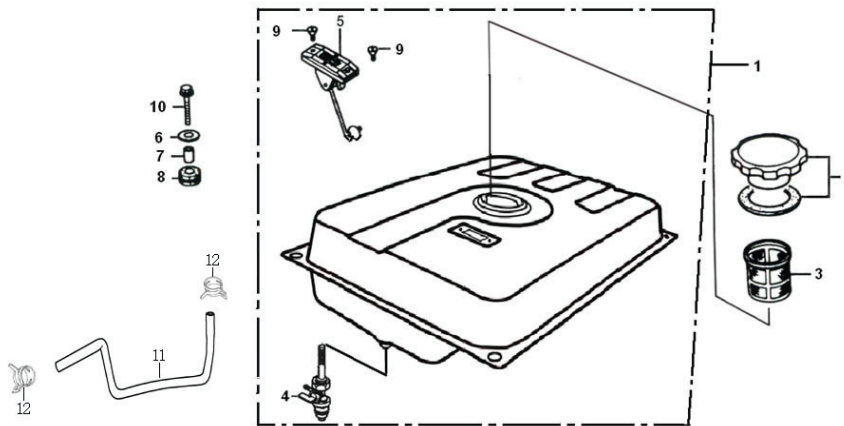


## STARTER MOTOR



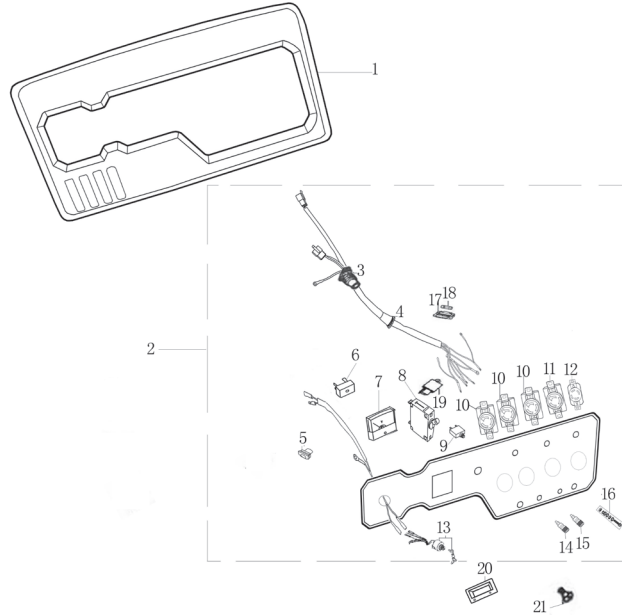
ITEM	DESCRIPTION	QTY	PART #
1	STARTER MOTOR	1	270350074-0001
2	BOLT, FLANGE,	2	380140051-0005

## FUEL TANK



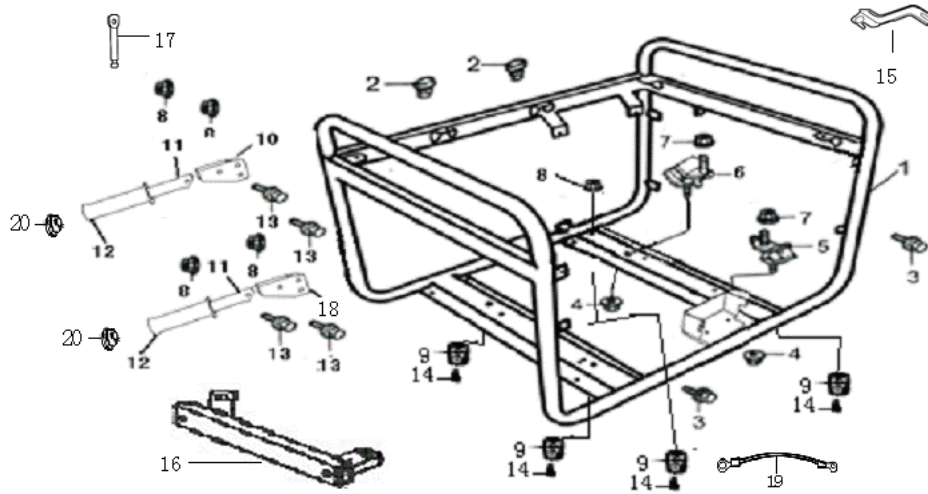
ITEM	DESCRIPTION	QTY	PART #
1	TANK COMP.,FUEL	1	170490111-T56F
2	CAP COMP.,FUEL FILLER	1	170870106-0001
3	FILTER,FUEL	1	170720005-0001
4	COCK ASSY.,FUEL	1	170980057-0001
5	JOINT ASSY.,FUEL TANK	1	170740008-0001
6	FLAT WASHER	4	380450444-0002
7	SPRING,COCK LEVER	4	170710014-0001
8	RUBBER TANK CUSHION	4	170700050-0001
9	CHAMFER HEAD SCREW	2	380220044-0002
10	BOLT,FLANGE	4	380140103-0004
11	PIPE	1	181940035-0001
12	LOOP,TUBE	2	380960120-0004

## CONTROL PANEL



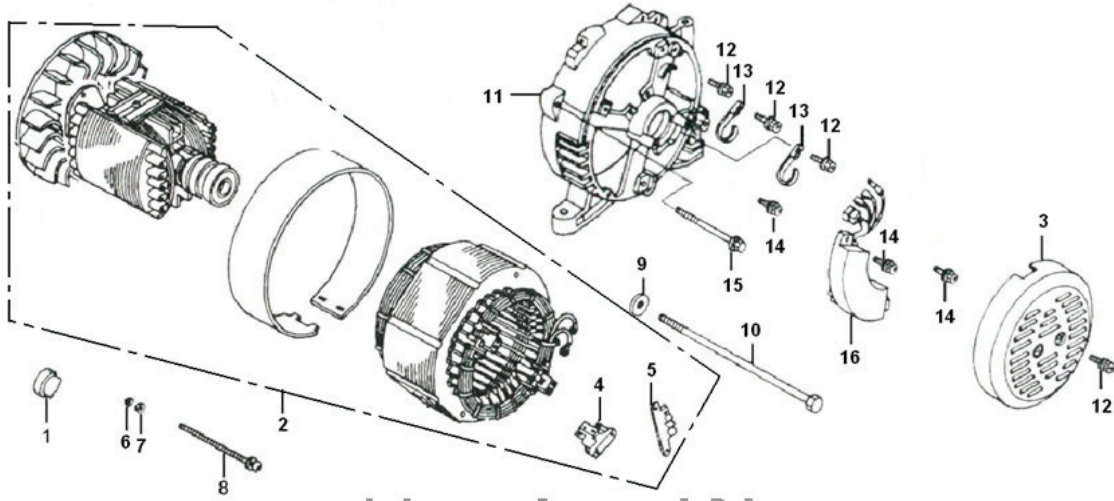
ITEM	DESCRIPTION	QTY	PART #
1	SEAT,CONTROL PANEL	1	271970006-0002
2	CONTROL PANEL,ASSY	1	271851733-0001
3	GROMMET, A.C. CORD	1	380930032-0001
4	GROMMET,MAIN CORD	1	380930029-0001
5	GROMMET, MAIN CORD	1	380930031-0001
6	RECTIFIER BRIDGE	1	271920001-0001
7	VOLTAGE,METER	1	281910009-0001
8	PROTECTOR, CIRCUIT	1	271290130-0001
9	PROTECTOR, CIRCUIT	1	271290033-0001
10	SOCKET	3	271890005-0001
11	SOCKET	1	271890006-0001
12	SOCKET	1	271890007-0001
13	SWITCH ASSY.,ENGINE	1	271810003-0001
14	POST , CATHODE	1	272080001-0001
15	POST , ARODE	1	272090001-0001
16	TERMINAL SET,EARTH	1	272030001-0001
17	CASE, FUSE CONNECTOR	1	272490009-0001
18	FUSE , RECTIFIER	1	380990008-0001
19	RECTIFIER	1	271930001-0001
20	CALCULAGRAPH	1	272890009-0001
21	SCREW, PAN	4	380310135-0001

## FRAME



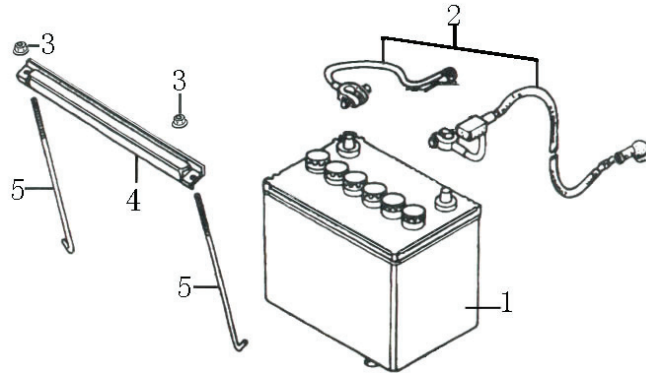
ITEM	DESCRIPTION	QTY	PART #
1	FRAME COMP	1	300720403-0001
2	RUBBER TANK CUSHION	2	170700051-0001
3	BOLT,FLANGE	4	380140215-0003
4	NUT,FLANGE	4	380370007-0004
5	RUBBER COLUMN,BOTTOM	2	300780024-0001
6	RUBBER,RIGHT BOTTOM	2	300790007-0001
7	NUT,FLANGE	4	380370077-0001
8	NUT	4	380330007-0005
9	RUBBER,SHOCK ABSORBER	4	300770005-0001
10	SETTING,HANDLE	2	320420031-0001
11	PIPE,HANDLE	2	320400045-0001
12	RUBBER JACKET	2	320180229-0001
13	BOLT, FLANGE	4	303490001-0001
14	BOLT,FLANGE	4	380140215-0003
15	STAY,AIR CLEANER	1	300710095-0001
16	FRAME COMP.SIDE	1	300730001-0001
17	SWITCH ASSY,ENGINE STOP	1	320750015-0001
18	SETTING,HANDLE	1	320420032-0001
19	CABLE ASSY.,EARTH	1	272980004-0001
20	CAULKING	2	381000195-0001

## ROTOR STATOR



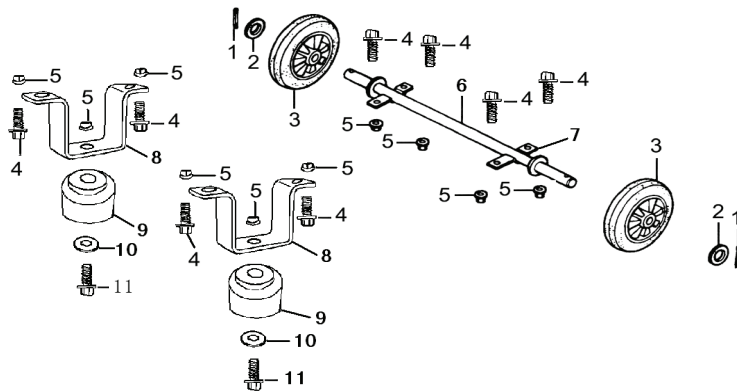
ITEM	DESCRIPTION	QTY	PART #
1	GROMMET, CRANKCASE	1	660030002-0001
2	ALTERNATOR PARTS	1	660080413-0001
3	COVER, GENERATOR END	1	660020002-0009
4	BRUSH ASSY.	1	660120001-0001
5	TERMINAL, VOLT CHANGE	1	660140001-0001
8	BOLT, FLANGE	2	380140500-0001
9	WASHER	1	380450515-0001
10	BOLT, HEX.	1	380070180-0001
11	HOUSING, RR	1	660010002-0001
12	BOLT, FLANGE	7	380140167-0002
13	TIE, CABLE	2	380900061-0001
14	BOLT, FLANGE	3	380140053-0002
15	BOLT, FLANGE	4	380140501-0001
16	REGULATOR ASSY.,AUTOMATIC VOLTAGE	1	660150098-0001

## BATTERY TRAY



ITEM	DESCRIPTION	QTY	PART #
1	BATTERY ASSY.	1	271060245-0001
2	CABLE ASSY.	1	271270010-0001
3	NUT, FLANGE	2	380370048-0001
4	PLATE, BATTERY SETTING	1	271170015-0001
5	BOLT, BATTERY SETTING	2	271210007-0001

## WHEEL KIT ASSY.



ITEM	DESCRIPTION	QTY	PART #
1	PIN, LOCK	2	381350015-0001
2	WASHER, PLAIN	2	380450603-0001
3	WHEEL COMP.	2	660690036-0001
4	BOLT, FLANGE	8	380140040-0005
5	NUT, FLANGE	10	380370007-0004
6	SHAFT, WHEEL	1	660730004-0001
7	PLATE, SHAFT HOLDER	1	660750001-0001
8	SETTING, RUBBER	2	300800017-0001
9	RUBBER, SHOCK ABSORBER	2	300770020-0001
10	WASHER	2	380450524-0001
11	BOLT, FLANGE	2	380140091-0005