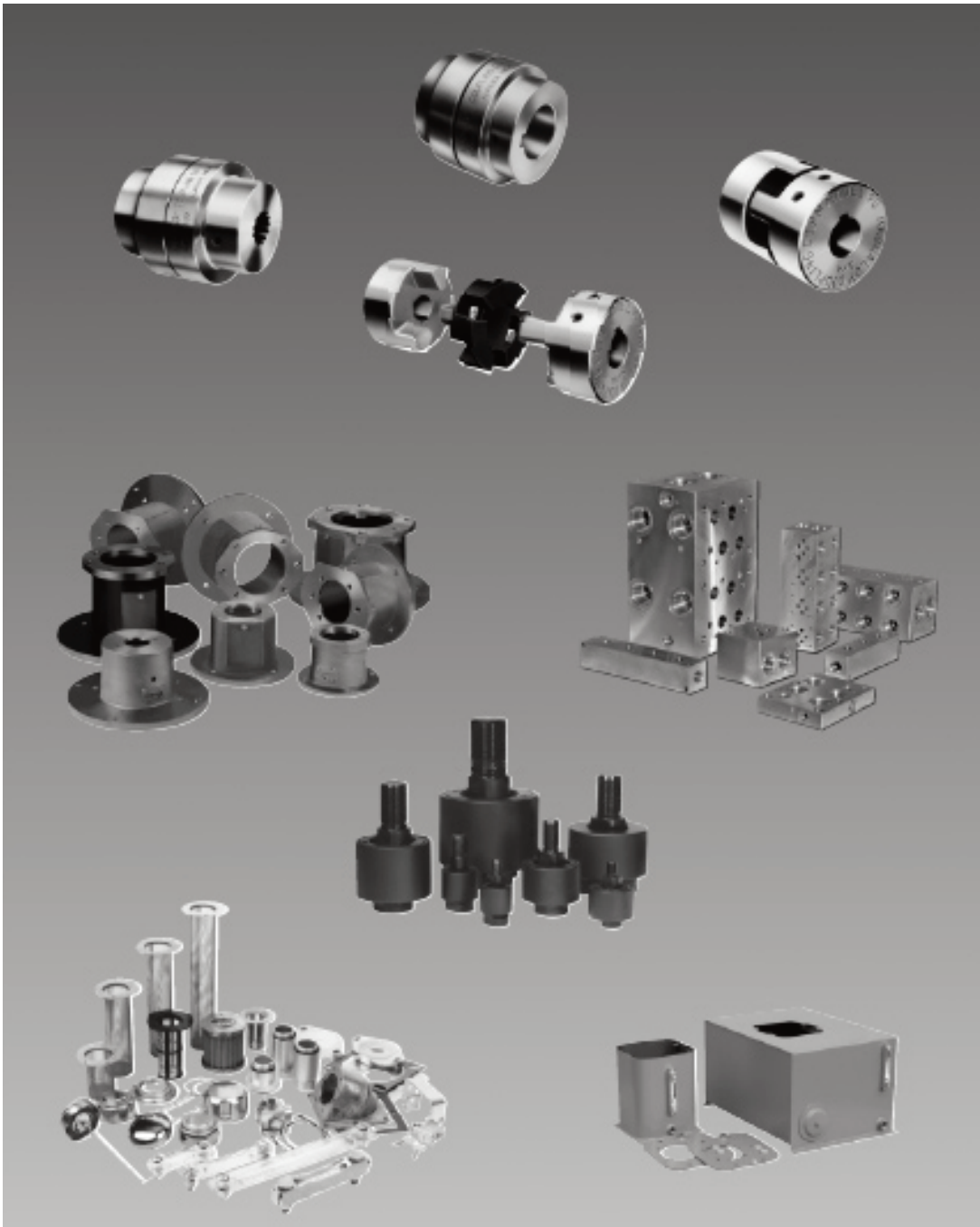




LIST PRICES
 Effective Oct 7, 2013
 Subject to change
 upon notice

**Flexible Drive Couplings PM 90 Couplings Pump/Motor Mounts
 Hydraulic Manifolds & Manifold Accessories
 Reservoirs Reservoir Accessories Rod End Alignment Couplers Price List**



Full Product/Price Index
 On Inside Coveri

PREMIUM FLEXIBLE
 DRIVE COUPLINGS ...1,2

PM 90 COUPLINGS3

PUMP/MOTOR
 MOUNTS4-10

BAR MANIFOLDS ...10-19

INTEGRATED CIRCUIT
 BAR MANIFOLDS20

SUBPLATES21-23

COVER PLATES23

VALVE ADAPTORS24

ISOLATION PLUGS24

MANIFOLD
 ACCESSORIES25

HEADER BAR
 MANIFOLDS26-28

JUNCTION BAR
 MANIFOLDS29-31

RESERVOIRS32-37

RESERVOIR
 ACCESSORIES37-47

ROD END ALIGNMENT
 COUPLERS47

What is it, Where is it
 Index48-73



PREMIUM FLEXIBLE DRIVE COUPLINGS	
Coupling Hubs and Inserts	1
PM 90 FLEXIBLE DRIVE COUPLINGS	
Coupling Hubs and Inserts	3
PUMP/MOTOR MOUNTS	
Horizontal Aluminum Pump/Motor Mounts	4
Vertical Aluminum Pump/Motor Mounts	6
Aluminum Pump/Engine Mounts	7
Welded Steel Horizontal Mounts	8
Welded Steel Pump/Engine Mounts	8
Welded Steel Vertical Pump/Motor Mounts	9
Service Window Covers	10
BAR MANIFOLDS	
D03 Standard Design	10
D03 Standard Flow Retro Design Parallel	12
D03 High Flow Retro Design Parallel	13
D05 Standard Design.....	15
D05 High Flow Standard Design Parallel	16
D08 Standard Design.....	18
D08 High Flow Retro Design.....	19
INTEGRATED CIRCUIT BAR MANIFOLDS	20
SUBPLATES	
D03 Super Saver & Side Ported	21
D05 Super Saver & Side Ported	21
D08 Side Ported	23
COVER PLATES	
D03, D05 & D08 Cover Plates	23
VALVE ADAPTORS	24
ISOLATION PLUGS	24
MANIFOLD ACCESSORIES	
Pilot Adaptors, Unloading Modules, Orifice Plates, Tapping Plated.....	25
Relief Valve Cartridges	25
HEADER BAR MANIFOLDS	
0 Degree	26
90 Degree	27
180 Degree	28
JUNCTION BAR MANIFOLDS	
90 Degree	29
180 Degree	30
270 Degree	31
RESERVOIRS	
Vertical Econo & Dual Reservoirs	32
JIC Reservoirs	33
L Series Reservoirs	33
T Series Reservoirs	34
Horizontal Series Reservoirs	35
DIN Style Reservoirs	35
Drip Pans & Stacking Modules for JIC Reservoirs	36
End Covers	37
RESERVOIR ACCESSORIES	
Filler Breathers	38
Reservoir Flanges	39
SAE Full & Half Couplings	40
Channel Mounted Cushion Clamps	40
Modular Stackable Cushion Clamps	40
Clamp Anchor Channel	41
Suction Strainers	41
Tank Diffusers	42
Filter Heads & Elements	42
Pressure Gauges	44
Gauge Isolators	45
Pressure Switch	45
Liquid Level Gauges	45
Motor Base Plates	45
Motor Dampening Bars	46
Modular O'Ring Kit	47
ROD END COUPLERS M and R Series	47
What is it, Where is it Index	48

Couplings, Inserts



Coupling Model No.	Std. Max Bore	Hub Only Bored & Keyed	Hub Only No Bore
100	1 1/8	\$21.40	\$17.80
200	1 3/8	\$23.10	\$19.10
300	1 5/8	\$30.90	\$27.80
400	1 7/8	\$43.60	\$40.20
500	2 3/8	\$61.80	\$56.50
600	2 5/8	\$94.40	\$82.50
700	2 7/8	\$156.50	\$143.10
800	3 7/8	\$289.00	\$268.40
900	4 3/4	\$813.80	\$728.40

Basic Insert Part No.	Neoprene		Urethane		Viton		Hyrel		Buna N		EPDM	
	Code	List Price	Code	List Price	Code	List Price	Code	List Price	Code	List Price	Code	List Price
M170	N6	\$4.30	U9	\$8.40	V8	\$32.00	H5	\$9.20	B8	\$6.80	E8	\$9.30
M270	N6	\$6.70	U9	\$10.70	V8	\$44.50	H5	\$11.70	B8	\$8.90	E8	\$12.10
M370	N6	\$8.80	U9	\$13.00	V8	\$50.20	H5	\$14.30	B8	\$11.70	E8	\$16.00
M470	N7	\$11.00	U9	\$18.20	V8	\$75.00	H5	\$20.10	B8	\$14.70	E8	\$20.10
M570	N7	\$12.90	U9	\$23.60	V8	\$131.40	H5	\$26.10	B8	\$17.50	E8	\$29.40
M670	N7	\$18.40	U9	\$41.60	V8	\$162.00	H5	\$45.70	B8	\$24.50	E8	\$40.10
M770	N8	\$36.40	U9	\$63.50	V8	\$360.00	H5	\$65.70	B8	\$75.00	E8	\$54.40
M870	N8	\$101.60	U9	\$103.00	V8	\$808.80	H5	\$107.70	B8	\$126.10	E8	\$154.90
M970	N8	\$110.70	U9	\$298.30	V8	\$2,161.90	H5	N/A	B8	N/A	E8	N/A

PART NUMBER USAGE:
Magnaloy Coupling INSERT part numbers may be specified using the following format:
Start with the Basic Insert Part Number followed by the 2 digit material code. **ie. M170U9**

Shaded Area - Semi Standard
No Additional Cost

Mode Code	Bore/Key Code	Model		100	200	300	400	500	600	700	800
		Bore	Key								
M	01203	3/8 x 3/32	o o								
M	01403	7/16 x 3/32	o o								
M	01404	7/16 x 1/8	o o								
M	01604	1/2 x 1/8	o o	o							
M	01804	9/16 x 1/8	o o	o							
M	02005	5/8 x 5/32	o o	o							
M	02006	5/8 x 3/16	o o	o	o						
M	02206	11/16 x 3/16	o o	o	o						
M	02404	3/4 x 1/8	o o	o							
M	02406	3/4 x 3/16	o o	o	o	o					
M	02806	7/8 x 3/16	o o	o	o	o	o				
M	02808	7/8 x 1/4	o o	o	o	o	o				
M	03008	15/16 x 1/4	o o	o							
M	10006	1 x 3/16	o o	o	o	o	o				
M	10008	1 x 1/4	o o	o	o	o	o				
M	10408	1 1/8 x 1/4	o o	o	o	o	o				
M	10608	1 3/16 x 1/4			o		o				
M	10808	1 1/4 x 1/4		o	o	o	o	o			
M	10810	1 1/4 x 5/16		o	o	o	o	o	o		
M	11210	1 3/8 x 5/16		o	o	o	o	o	o	o	
M	11212	1 3/8 x 3/8				o					
M	11412	1 7/16 x 3/8				o	o	o			
M	11610	1 1/2 x 5/16				o	o	o	o		
M	11612	1 1/2 x 3/8				o	o	o	o	o	
M	12012	1 5/8 x 3/8				o	o	o	o	o	
M	12412	1 3/4 x 3/8					o	o	o	o	

Mode Code	Bore/Key Code	Model		200	300	400	500	600	700	800	900
		Bore	Key								
M	12414	1 3/4 x 7/16				o	o	o	o	o	
M	12816	1 7/8 x 1/2				o	o	o	o	o	
M	13016	1 15/16 x 1/2					o	o			
M	20016	2 x 1/2					o	o	o	o	
M	20416	2 1/8 x 1/2					o	o	o	o	
M	20816	2 1/4 x 1/2					o	o	o	o	
M	21220	2 3/8 x 5/8					o	o	o	o	
M	21620	2 1/2 x 5/8						o	o	o	
M	22020	2 5/8 x 5/8						o	o	o	
M	22420	2 3/4 x 5/8							o	o	
M	22824	2 7/8 x 3/4							o	o	
M	30024	3 x 3/4								o	
M	30824	3 1/4 x 3/4								o	
M	31228	3 3/8 x 7/8								o	
M	31628	3 1/2 x 7/8								o	
M	32028	3 5/8 x 7/8								o	
M	32428	3 3/4 x 7/8								o	
M	32832	3 7/8 x 1								o	
M	40032	4 x 1									o
M	40432	4 1/8 x 1									o
M	40832	4 1/4 x 1									o
M	41232	4 3/8 x 1									o
M	41632	4 1/2 x 1									o
M	41640	4 1/2 x 1 1/4									o
M	42040	4 5/8 x 1 1/4									o
M	42440	4 3/4 x 1 1/4									o

PART NUMBER USAGE: Magnaloy Coupling HUB part numbers may be specified using the following format:
Start with letter "M" designating Magnaloy, followed by 3 digit Model Code (100, 200, 300, etc), the the specific 5 digit Bore Key Code.



Splined Bore, Steel Bushings & Clamps

Special Bores & Double Set Screws

Coupling Model No.	* Special & Metric Bore	Double Set Screws
100	\$32.20	\$23.60
200	\$33.80	\$25.30
300	\$42.00	\$33.70
400	\$59.50	\$47.10
500	\$78.10	\$65.30
600	\$119.80	\$98.60
700	\$185.00	\$162.80
800	\$319.20	\$295.70
900	\$845.30	\$820.70

SPECIAL SERVICES for special machining services, ie.: taper bores, snap ring grooves, facing, special sized keyways, and couplings altered by factory per customer specifications, consult factory. Factory will also consider bores greater than the standard maximum for limited applications. Consult factory for required information.

* **Special and Metric** charges for Special Bores, Non-Standard Bore and Keyway Combinations, Standard Metric Bore & Keyways, and Bores without keyways.

Splined Bores, Steel Bushing and Clamps

Coupling Model Size	Stock Model Sizes							
	Standard Coupling		Group A		Group B		Group C	
	Splined Bore	Splined Bore w/Clamp	Steel Bushed	Steel Bushed w/Clamp	Steel Bushed	Steel Bushed w/Clamp	Steel Bushed	Steel Bushed w/Clamp
100	\$46.90	\$81.10	N/A	N/A	N/A	N/A	N/A	N/A
200	\$47.30	\$78.10	\$107.70	\$149.30	N/A	N/A	N/A	N/A
300	\$56.50	\$87.30	\$116.90	\$158.40	N/A	N/A	N/A	N/A
400	\$69.30	\$100.10	\$129.70	\$171.30	N/A	N/A	N/A	N/A
500	\$84.30	\$117.40	\$150.10	\$194.00	\$161.60	\$205.80	N/A	N/A
600	\$120.50	\$159.50	\$184.50	\$233.90	\$195.60	\$245.10	N/A	N/A
700	\$181.10	\$220.10	QUOTE	QUOTE	\$258.30	\$307.80	N/A	N/A
800	\$315.10	\$354.10	QUOTE	QUOTE	\$393.90	\$443.30	\$443.30	\$492.80
900	N/A	QUOTE	QUOTE	QUOTE	QUOTE	QUOTE	QUOTE	QUOTE

Splined Bores:

Note: For Non-Stock Size Splines add to Special Bore Price: \$125.35

The following IN-Plant brochures are all 30° A.P., Flat Root, Side Fit. For other splines, consult factory.

Number of Teeth	Pitch	Pressure Angle (Degrees)	SAE Designation	Major Diameter (Inches)	Standard Coupling		Steel Bushed Coupling		
					Available Model Sizes	Stock Model Sizes ¹	Available Model Sizes	Stock Model Sizes ¹	Size Group
9	16/32	30	A	.625	100-900	100-400	200-900	200-400	A
13	8/16	30	D, E	1.750	400-900	400-700	600-900	600-800	B
13	16/32	30	B	.875	100-900	100-500	300-900	300-500	A
14	12/24	30	C	1.250	200-900	200-700	500-900	500-700	B
15	16/32	30	BB	1.000	100-900	300-500	400-900	400-600	A
15	8/16	30	F	2.000	500-900	500-700	800-900	800	C
17	12/24	30	CC	1.500	300-900	500-700	500-900	500-800	B
21	16/32	30		1.375	300-900	300-600	500-900	500, 600	B
23	16/32	30		1.500	300-900	500-600	500-900	500-700	B
27	16/32	30		1.750	400-900	500-700	600-900	600, 800	B
40	16/32	30		2.562	600-900	NONE	800-900	NONE	C

¹ Above prices are for splined bores in STOCK MODEL SIZES only - for other model sizes, consult factory.

PM 90 Coupling



	Complete Coupling Standard Insert	Hub Only
Standard Bore/Key	\$25.80	\$11.10
Semi-Standard Bore/Key*	\$44.00	\$20.20

* Semi-Standard Bore/Key combinations are shown as shaded in the chart below. For quantities greater than 50 pieces, consult factory.
All other Bore/Key combinations, consult factory for price and availability.

Insert Part No.	Insert Material	List Price
P097N7	Nitrile	\$3.80
P097U9	Urethane	\$8.10
P097H5	Hytrel	\$9.00

Standard Bore/Keyway Combinations available with PM 90 Model Coupling

Part Number	Bore	Number of Set Screws *	Set Screw Size
P090014N	7/16 - No Keyway	Single Set Screw	1/4 - 20 UNC
P09001403	7/16 x 3/32	Single Set Screw	1/4 - 20 UNC
P09001404	7/16 x 1/8	Single Set Screw	1/4 - 20 UNC
P09001604	1/2 x 1/8	Double Set Screw	1/4 - 20 UNC
P09001804	9/16 x 1/8	Double Set Screw	1/4 - 20 UNC
P09002005	5/8 x 5/32	Double Set Screw	1/4 - 20 UNC
P09002006	5/8 x 3/16	Double Set Screw	1/4 - 20 UNC
P09002206	11/16 x 3/16	Double Set Screw	1/4 - 20 UNC
P09002404	3/4 x 1/8	Double Set Screw	1/4 - 20 UNC
P09002406	3/4 x 3/16	Double Set Screw	1/4 - 20 UNC
P09002806	7/8 x 3/16	Double Set Screw	1/4 - 20 UNC
P09002808	7/8 x 1/4	Double Set Screw	1/4 - 20 UNC
P09010006	1 x 3/16	Double Set Screw	1/4 - 20 UNC
P09010008	1 x 1/4	Double Set Screw	1/4 - 20 UNC
P09010408	1 1/8 x 1/4	Double Set Screw	1/4 - 20 UNC

Shaded items above are Semi-Standard for PM90 Couplings

* Double set screws are located over the keyway and 45° from the keyway on all bores 1/2 inch and over.
Under 1/2 inch a single set screw is located between drive lugs, over keyway.

Other Bore/Keyway combinations available - consult factory for price and availability.

ORDERING INFORMATION:

When ordering Type PM Couplings, order by Hub and Insert (ie. 2 hubs and 1 insert equal a complete coupling).
Specify quantity and part number or type, model size, and bore & keyway for each hub,
and quantity and part number or type, model size and material for each insert.

IE. 35 P09002006 or PM 90 Hub 5/8 x 3/16
 35 P09010408 or PM 90 Hub 1 1/8 x 1/4
 35 P097N7 or PM 97 Insert - Nitrile 70 Durometer

Make the Connection with **magnaloy**

*Whatever your Fluid Power Unit needs,
magnaloy has the products
to keep you connected.*



Flexible Drive Couplings

Top-of-the-line magnesium couplings are lighter, yet stronger than either cast iron or aluminum. They also offer better corrosion resistance and easier handling.



Magnaloy Hydraulic Bar Manifolds & Accessories

Complete line of In-line Bar Manifolds, Subplates, Cover Plates, Valve Adaptors, Integrated Circuit Manifolds, and Accessories to make the design and fabrication of Hydraulic Circuitry simple and easy. Wide range of sizes include: D03, D05, D05H & D08 in aluminum and steel with ports available in SAE, NPTF, BSPP, and BSPT styles. Custom design and fabrication also available, consult factory.

Accessories

Filler Breather Adaptors, Filler Breathers, Reservoir Flanges, Suction Strainers, Gauge Isolators, Liquid Level Gauges, Modular O-Ring Kits.

Pump/Motor Mounts

Precision machined aluminum & custom steel pump/motor mounts directly connect the motor and pump while ensuring accurate shaft alignment and enclosing the coupling. Vertical and horizontal models readily available from stock.



Rod End Couplers

Two models of accurately machined high tensile cylinder rod end alignment couplers offer 7° or 10° spherical and 1/8" parallel misalignment capabilities.



PM 90 Couplings

Economical PM-90 Iron Powder Couplings have long lasting nitrile, hytrel or urethane inserts. Double set screws give excellent gripping power.



Magnaloy Reservoirs & Reservoir Accessories

Magnaloy offers a complete line of standard reservoirs and reservoir accessories. In addition, we offer custom reservoir fabrication to meet our customer specific needs. Reservoir accessories such as Clean Out Covers and SAE Couplings are available for the "do-it-yourself" reservoir manufacturer.



Magnaloy Pressure Switch

Pressure Sensing switch capable of sensing up to three (3) separate pressures. Each sensor is externally independently adjustable from 200 to 4000 psi. Viton seals provide wide fluid compatibility range.