



**DEXTER AXLE**

[www.dexteraxle.com](http://www.dexteraxle.com)

**600 - 8,000 LBS. CAPACITY**



**TRAILER RUNNING GEAR**



This information is intended as a guide for the proper specification and application of Dexter Axle running gear, associated components and accessories.

Dexter offers a full line of trailer axles that can be used in many different applications. When specifying any pre-engineered components such as axles, it is the responsibility of the trailer designer to insure compatibility with the vehicle and all of its sub-systems.

## ***Important Information***

The information presented is meant to assist trailer manufacturers in the specification of their running gear components. Dexter Axle does not warrant that the information given constitutes an approved trailer design or application. Dynamic loading, travel requirements unique to the trailer design, unusual service conditions, trailer configurations, unequal load distribution, hitch or coupler arrangements and towing vehicle suspension characteristics can significantly affect the performance of any trailer axle and/or suspension systems. It remains the responsibility of the trailer manufacturer to evaluate, specify and test their trailer/running gear combination before production and to certify it as such. While the information presented at the time of this writing is current, it is subject to change as designs and components evolve over time.

## ***Disclaimer of Warranty and Limitation of Liability***

All users of this product catalog acknowledge that the information presented is significantly affected by factors within the exclusive knowledge of the user including, among other things, service conditions, trailer configurations, load distributions, hitch and coupler arrangements and tow vehicle suspension characteristics, that the users have independently investigated these factors and have solely relied on those investigations when using this catalog, and that it is the responsibility of the user to adequately specify, evaluate and test its trailer/running gear combinations.

**DEXTER AXLE DISCLAIMS ALL WARRANTIES, WHETHER WRITTEN, ORAL OR IMPLIED, IN FACT OR IN LAW (INCLUDING ANY WARRANTY OF MERCHANTABILITY OR FITNESS FOR A PARTICULAR PURPOSE), ASSOCIATED WITH THE USE OF THE CATALOG AND WITH ANY INFORMATION PRESENTED BY THIS CATALOG.**

Dexter Axle shall not be liable in damages (whether compensatory, punitive, direct, indirect, special, incidental or consequential) to any user of this catalog under contract, tort, strict liability or any other theory of liability, and any user agrees to indemnify and hold Dexter Axle harmless from any and all claims, actions or other proceedings (including attorney fees and court costs) arising out of the use of this catalog to the extent said claims, actions or other proceedings do not arise out of the sole and exclusive negligence of Dexter Axle.

## ***Load Ratings***

The maximum load carrying capacity of any assembly is limited to the lowest load rating of any individual component selected. For instance, the load rating of a pair of wheels may be lower than other axle components selected. If this is the case, the load carrying capacity of the axle assembly is reduced accordingly. As a specific example, if a pair of wheels is rated at 1500 pounds each and is used with other components rated at 4000 pounds per axle, the maximum load capacity is limited to 3000 pounds. If two tires are rated at 1400 pounds each and are used on this assembly, the maximum load carrying capacity is limited to 2800 pounds.

## ***Axle Orientation***

When working with trailer running gear, it is important to understand the various features and descriptions of the equipment. Most trailer axles are directional by nature, that is, it is imperative that they be installed onto the trailer in the proper manner to ensure brake functioning and correct wheel alignment. The front of the axle must be oriented toward the front of the trailer. The convention used to define right and left is based on viewing the trailer from the rear and facing in the direction of forward travel.



Features to help identify the front of the axle:

- Electric brake wires exit brake backing plates toward the rear of the axle.
- 12¼" hydraulic brakes have view ports through the dust shield on the back of the assembly. Where the brake lining is visible in the view port, that will indicate the rear or secondary shoe which is always oriented toward the rear of the axle.
- Slipper springs have the spring eye at the front of the axle.
- Leaf spring axles with inner wiring have the wires exit the tube toward the rear of the axle.
- Torflex<sup>®</sup> axles have the wheel center trailing behind the axle tube.
- Axles using ¾" spherical ball seat wheel nuts will have right and left handed threads. The right handed thread must be on the right end or curb side of the axle while the left handed thread will be on the left end or road side of the axle.

## ***Stub Axle Disclaimer***

A stub axle is described as a trailer axle spindle, welded to a short length of tubing. Stub axles may be specified and purchased as plain spindle/tube weldments or they may be fully assembled wheel end units, with or without trailer brakes.

These incomplete axles are sold to manufacturers who wish to incorporate them into a variety of applications such as specialty vehicular axles, belt tensioning devices, machinery pivot points, etc. **Dexter Axle has no control of the design intent of these special applications and therefore cannot apply a rating or capacity to these components.**

The spindle/tube connection has been designed for suitable stress levels when used in a trailer axle, mounted to an approved suspension system and loaded to no more than the stated capacity. The use of all or part of the product for applications other than its intended purpose may not be appropriate. It is the customers' responsibility to determine the efficacy and safety of their particular application.

Torflex<sup>®</sup> axles can also be purchased as stub axles. This type of axle incorporates a self-contained suspension system. They can be specified as stub assemblies that will be rated for capacity when fitted with approved mounting brackets. The stated capacity will be based on the lowest rated component in each assembly.

These stub assemblies are essentially half axles that are intended to be mounted to the trailer chassis independent of each other. The trailer manufacturer must assume responsibility for the integrity of the attachment as well as the final wheel alignment since independent mounting puts these critical aspects out of Dexter's control. If used in pairs of unequal capacity, the trailer manufacturer should assign a Gross Axle Weight Rating of not more than two times the capacity of the lower rated sub assembly.

# Table of Contents

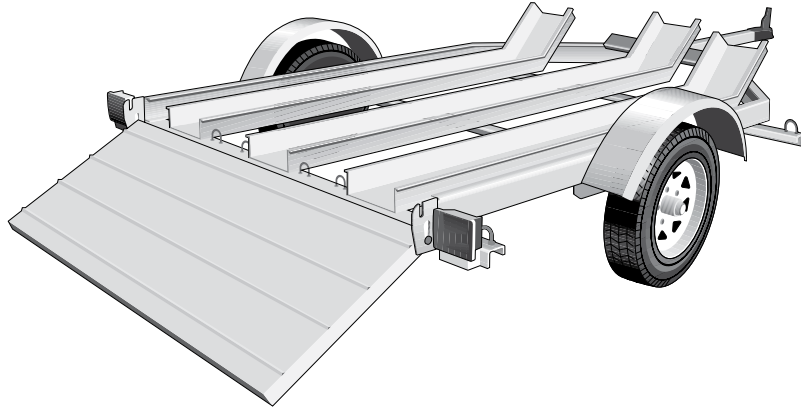


|   |  |           |
|---|--|-----------|
| <b>600-1100 Lbs. Capacity</b> .....       | <b>#8 Torflex®</b> .....   | <b>4</b>  |
| Torflex® Application Information .....    |  | 5         |
| Hub Groups.....                           |  | 7         |
| Brakes .....                              |  | 8         |
| <b>1000-2200 Lbs. Capacity</b> .....      | <b>#9 Torflex® / D20 Leaf Spring</b> .....                       | <b>11</b> |
| Torflex® Application Information .....    |  | 12        |
| Leaf Spring Application Information ..... |  | 14        |
| Hub Groups.....                           |  | 15        |
| Brakes .....                              |  | 16        |
| <b>2300-3500 Lbs. Capacity</b> .....      | <b>#10 &amp; #10L Torflex® / D30 &amp; D35 Leaf Spring</b> ..... | <b>19</b> |
| Torflex® Application Information .....    |  | 20        |
| Leaf Spring Application Information ..... |  | 22        |
| Hub Groups.....                           |  | 24        |
| Brakes .....                              |  | 27        |
| <b>3600-6000 Lbs. Capacity</b> .....      | <b>#11 Torflex® / D44, D52, &amp; D60 Leaf Spring</b> .....      | <b>36</b> |
| Torflex® Application Information .....    |  | 37        |
| Leaf Spring Application Information ..... |  | 39        |
| Hub Groups.....                           |  | 41        |
| Nev-R-Lube® Information .....             |  | 44        |
| Brakes .....                              |  | 45        |
| <b>5500-7000 Lbs. Capacity</b> .....      | <b>#12 Torflex® / D60 &amp; D70 Leaf Spring</b> .....            | <b>53</b> |
| Torflex® Application Information .....    |  | 54        |
| Leaf spring Application Information.....  |  | 56        |
| Hub Groups.....                           |  | 58        |
| Brakes .....                              |  | 60        |
| Airflex® Suspension System.....           |  | 71        |
| <b>7200 Lbs. Capacity</b> .....           | <b>#12V Torflex® / D72 Leaf Spring</b> .....                     | <b>74</b> |
| Torflex® Application Information .....    |  | 75        |
| Leaf Spring Application Information ..... |  | 77        |
| Hub Groups.....                           |  | 78        |
| Brakes .....                              |  | 80        |
| Airflex® Suspension System.....           |  | 82        |
| <b>8000 Lbs. Capacity</b> .....           | <b>#13 Torflex® / D80 Leaf Spring</b> .....                      | <b>84</b> |
| Torflex® Application Information .....    |  | 85        |
| Leaf Spring Application Information ..... |  | 87        |
| Hub Groups.....                           |  | 88        |
| Brakes .....                              |  | 90        |
| Airflex® Suspension System.....           |  | 96        |
| <b>Miscellaneous</b>                      |  |           |
| Wheels and Tires .....                    |  | 99        |
| Hanger and Attaching Parts Kits.....      |  | 100       |
| Torflex® Installation .....               |  | 102       |
| Limited Warranty .....                    |  | 104       |



# General Applications

600 - 1100 LBS. CAPACITY



## Axle Types

### 600-1100 Lbs. Capacity

- Ideal application for light utility, for hauling personal watercraft and motorcycles
- Complete service manual
- Heavy duty 1 1/8" spindle design
- Precision machined steel spindles and integral cast iron hub/drums
- Short version spindle for trailers with extremely short overhangs
- 7" x 1 1/4" electric and 7" x 1 3/4" hydraulic brakes
- Electric brakes are available with and without parking feature
- Standard grease lubrication; E-Z Lube® option
- Lower cost



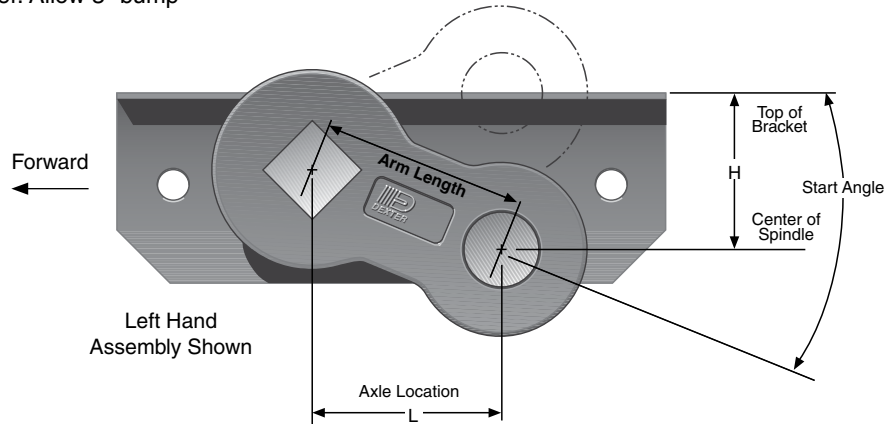
- Totally rubber-cushioned for smooth, quiet, independent ride
- Easy installation with less maintenance
- Less transfer of road shock which insulates cargo from road shocks and vibration
- Rubber cords compounded for maximum dependability and durability
- Load-carrying cross member
- Self-damping action
- Independent wheel suspension system
- 5 year limited warranty on suspension system
- Low profile for maximum road clearance
- Various starting angles to control trailer height
- Low profile brackets available
- Rubber cushioning eliminates metal-to-metal contact
- Shock absorption provided by the natural hysteresis of rubber
- Single or tandem axle assemblies
- Durable, wear-resistant components

**CAUTION:** Triple axle assemblies are NOT recommended for Torflex® axles.



## Articulation Dimensions

Dimensions are for low profile, top mount only. Side mount is .18" higher. Allow 3" bump clearance from full load.



| Start Angle | Bracket Profile | No Load |      | Full Load |      | Shock Load |      |
|-------------|-----------------|---------|------|-----------|------|------------|------|
|             |                 | H       | L    | H         | L    | H          | L    |
| 45° Down    | Low             | 3.84    | 2.83 | 2.54      | 3.70 | 1.87       | 3.91 |
| 22.5° Down  | Low             | 2.54    | 3.70 | 1.01      | 4.00 | 0.31       | 3.94 |
| 10° Down    | Low             | 1.70    | 3.94 | 0.14      | 3.91 | -0.52      | 3.70 |
| 0°          | Low             | 1.01    | 4.00 | -0.52     | 3.70 | -1.14      | 3.37 |
| 10° Up      | Low             | 0.31    | 3.94 | -1.14     | 3.37 | -1.69      | 2.95 |
| 22.5° Up    | Low             | -0.52   | 3.70 | -1.82     | 2.83 | -2.27      | 2.29 |

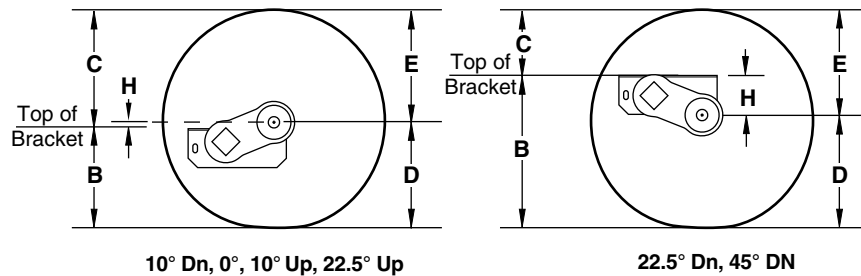
| #8 Overhang Per Side |       |       |
|----------------------|-------|-------|
| Spindle              | Min.  | Max.  |
| Short                | 4.75" | 9.04" |
| Standard             | 6.00" | 9.04" |

**Note:** Positive numbers in the H column indicate the spindle is BELOW the top of the bracket. Conversely, negative numbers are ABOVE the top of the bracket.



## Full Load Dimensions

Dimensions are for low profile, top mount only. Side mount is .18" higher. Allow 3" bump clearance from full load.



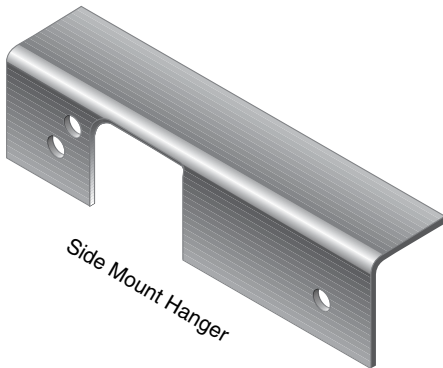
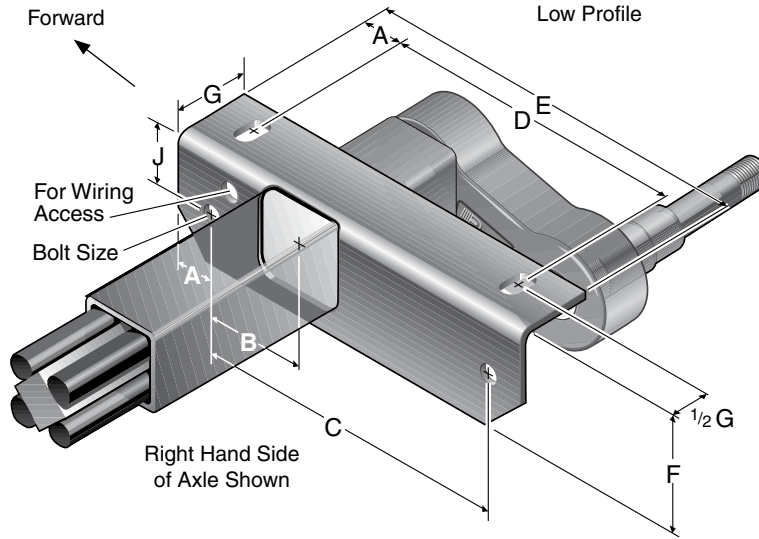
### Start Angle

| Tire          | * ** |      | 45° Down |      |     | 22.5° Down |      |      | 10° Down |      |      | 0°   |      |      | 10° Up |      |      | 22.5° Up |     |      |
|---------------|------|------|----------|------|-----|------------|------|------|----------|------|------|------|------|------|--------|------|------|----------|-----|------|
|               | D    | E    | H        | B    | C   | H          | B    | C    | H        | B    | C    | H    | B    | C    | H      | B    | C    | H        | B   | C    |
| ST175/80R13   | 11.2 | 12.0 | 2.5      | 13.7 | 9.5 | 1.0        | 12.2 | 11.0 | 0.1      | 11.3 | 11.9 | -0.5 | 10.7 | 12.5 | -1.1   | 10.1 | 13.1 | -1.8     | 9.4 | 13.8 |
| 4.80-8        | 7.9  | 8.8  | 2.5      | 10.4 | 6.3 | 1.0        | 8.9  | 7.8  | 0.1      | 8.0  | 8.7  | -0.5 | 7.4  | 9.3  | -1.1   | 6.8  | 9.9  | -1.8     | 6.1 | 10.6 |
| 4.80-12       | 9.5  | 10.8 | 2.5      | 12.0 | 8.3 | 1.0        | 10.5 | 9.8  | 0.1      | 9.6  | 10.7 | -0.5 | 9.0  | 11.3 | -1.1   | 8.4  | 11.9 | -1.8     | 7.7 | 12.6 |
| 20.5 x 8.0-10 | 9.7  | 10.8 | 2.5      | 12.2 | 8.3 | 1.0        | 10.7 | 9.8  | 0.1      | 9.8  | 10.7 | -0.5 | 9.2  | 11.3 | -1.1   | 8.6  | 11.9 | -1.8     | 7.9 | 12.6 |

Columns D and E are dimensional examples only:  
 \* D – Static Loaded Radius  
 \*\* E – Inflated Radius

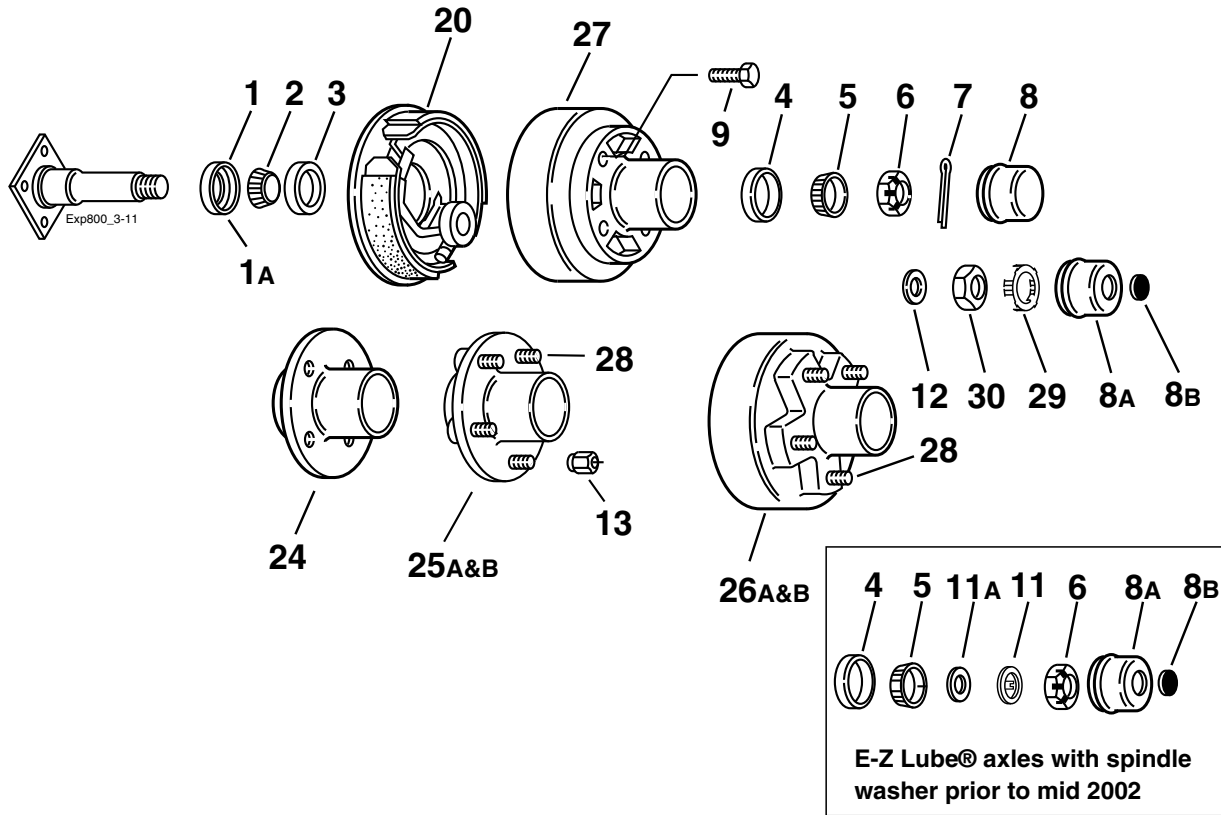


## Bracket Dimensions



### #8 Bracket Dimensions

|           | Low       |
|-----------|-----------|
| A         | 1.00      |
| B         | 2.38      |
| C         | 8.00      |
| D         | 7.75      |
| E         | 10.00     |
| F         | 2.88      |
| G         | 2.00      |
| J         | 1.57      |
| Bolt Size | 1/2" bolt |
| Tube Size | 1.75      |



### Grease Lube Parts

| Item | Part No.   | Description                                     |
|------|------------|---|
| 1    | 010-009-00 | Grease Seal                                     |
| 1A   | 010-060-00 | Grease Seal for E-Z Lube®                       |
| 2    | 031-031-02 | L44649 Inner Bearing Cone                       |
| 3    | 031-031-01 | L44610 Inner Bearing Cup                        |
| 4    | 031-031-01 | L44610 Outer Bearing Cup                        |
| 5    | 031-031-02 | L44649 Outer Bearing Cone                       |
| 6    | 006-176-00 | Spindle Nut                                     |
| 7    | 019-002-00 | Cotter Pin (not used with E-Z Lube®)            |
| 8    | 021-003-00 | Grease Cap                                      |
| 8A   | 021-041-01 | Grease Cap for E-Z Lube®                        |
| 8B   | 085-001-00 | Rubber Plug for E-Z Lube®                       |
| 9    | 007-040-00 | Wheel Bolt                                      |
| 11   | 005-101-00 | Tang Washer for E-Z Lube® (before 2002)         |
| 11A  | 005-151-00 | Spindle Washer for E-Z Lube® (before 2002)      |
| 12   | 005-023-00 | Spindle Washer for E-Z Lube® (after 2002)       |
| 29   | 006-190-00 | Spindle Nut Retainer for E-Z Lube® (after 2002) |
| 30   | 006-191-00 | Special Jam Nut for E-Z Lube® (after 2002)      |

### Brakes

| Item | Part No.              | Description                         |
|------|-----------------------|-------------------------------------|
| 20   | K23-047-00/K23-048-00 | LH/RH 7"x1 1/4" Electric            |
| ns   | K23-103-00/K23-104-00 | LH/RH 7"x1 1/4" Electric w/park     |
| ns   | K23-398-00/K23-399-00 | LH/RH 7"x1 1/4" Hydraulic Uni-servo |

ns - not shown

Note: Spindle is not available for resale.

### Hubs

| Item                  | Part No.   | Description                      | Bolt Circle |
|-----------------------|------------|----------------------------------|-------------|
| <b>Hubs and Drums</b> |            |                                  |             |
| ns                    | 008-173-16 | 1/2" Studs, elec. brakes ONLY    | 4 on 4.00   |
| ns                    | 008-276-05 | 1/2" Studs, hyd. brakes ONLY     | 4 on 4.00   |
| 26A                   | 008-257-05 | 1/2" Studs, elec. brakes ONLY    | 5 on 4.50   |
| 26B                   | 008-271-07 | 1/2" Studs, hyd. brakes ONLY     | 5 on 4.50   |
| 27                    | 008-173-15 | 1/2" Tapped, elec. brakes ONLY   | 4 on 4.00   |
| ns                    | 008-257-04 | 1/2" Tapped, elec. brakes ONLY   | 5 on 4.50   |
| ns                    | 008-271-04 | 1/2" Tapped, hyd. brakes ONLY    | 5 on 4.50   |
| <b>Plain Hubs</b>     |            |                                  |             |
| ns                    | 008-091-05 | 1/2" Studs                       | 4 on 4.00   |
| 24                    | 008-091-04 | 1/2" Tapped                      | 4 on 4.00   |
| 25A                   | 008-259-05 | 1/2" Studs, 8"-12" wheels ONLY   | 5 on 4.50   |
| 25B                   | 008-258-05 | 1/2" Studs, 13"-15" wheels ONLY  | 5 on 4.50   |
| ns                    | 008-259-04 | 1/2" Tapped, 8"-12" wheels ONLY  | 5 on 4.50   |
| ns                    | 008-258-04 | 1/2" Tapped, 13"-15" wheels ONLY | 5 on 4.50   |

### Studs & Wheel Nuts

| Item | Part No.   | Description          |
|------|------------|----------------------|
| 9    | 007-040-00 | 1/2-20 Wheel Bolt    |
| 13   | 006-080-00 | 1/2-20 60° Cone Nut  |
| 28   | 007-246-00 | 1/2-20 Press-in Stud |

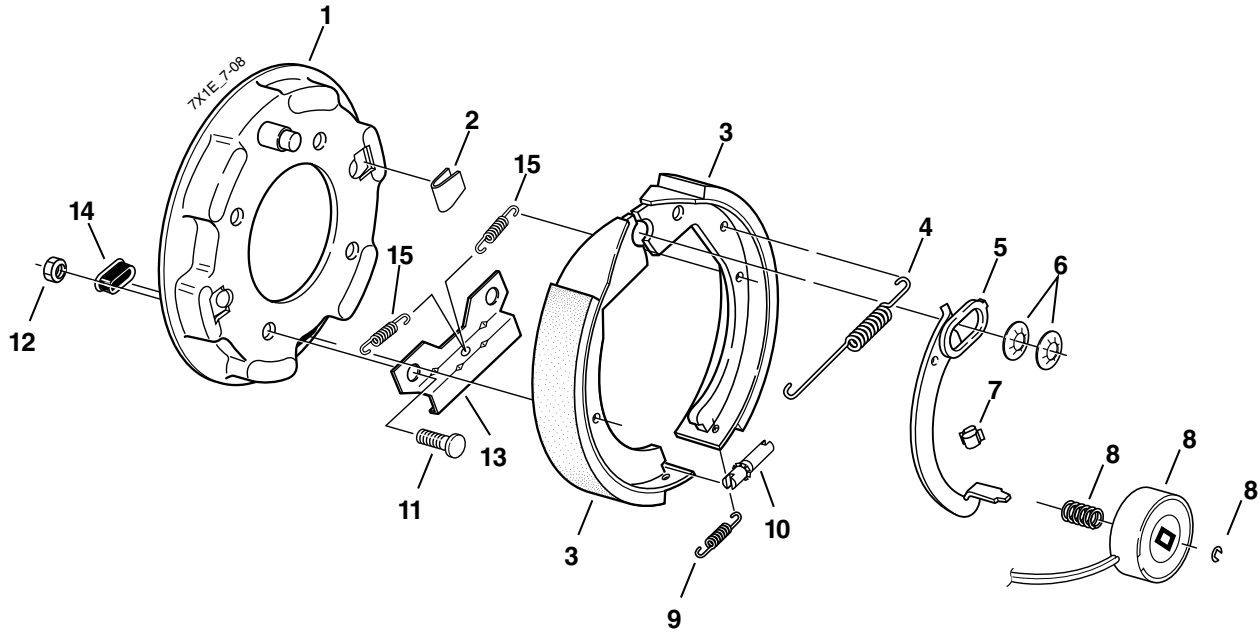


# 7" x 1¼" Electric Brake



Torflex® CSA approved at 2000#/11.3 SLR; 2200#/10.2 SLR  
 Sprung CSA approved at 2000#/12.8 SLR; 2200#/10.2 SLR

**600 - 1100 LBS. CAPACITY**



## Electric Brake

| Item  | Part No.   | Qty/Brk | Description   |
|---|------------|---------|---|
| 0   | K23-047-00 | 1       | LH Complete Brake Assembly (shown)  |
| 0   | K23-048-00 | 1       | RH Complete Brake Assembly  |
| 1   | 036-036-04 | 1       | Backing Plate Assembly<br>(includes items #11, 13)  |
| 2   | 046-023-00 | 2       | Shoe Hold Down Clip   |
| 3   | K71-045-00 | 1       | Shoe & Lining Kit Contains:<br>1 #040-125-00 Primary Shoe & Lining<br>2 #040-049-00 Secondary Shoe & Lining |
| 4   | 046-024-00 | 1       | Retractor spring  |
| 5   | 047-114-04 | 1       | LH Actuating Lever Arm  |
| 5   | 047-115-04 | 1       | RH Actuating Lever Arm  |
| 6   | 046-030-00 | 2       | Anchor Post Clip  |
| 7   | 027-005-00 | 1       | Wire Clip   |
| <b>For brakes manufactured after 4/1/90</b> |            |         |   |
| 8   | K71-057-00 | 1       | Magnet Kit Contains:<br>1 #040-134-00 Magnet<br>1 #040-121-00 Magnet Clip<br>1 #046-086-00 Magnet Spring    |
| 9   | 046-022-00 | 1       | Adjusting Screw Spring  |
| 10  | 043-021-00 | 1       | Adjusting Screw   |
| 11  | 007-041-00 | 4       | Brake Mounting Bolt - Press-in  |
| *12   | 006-017-00 | 4       | Brake Mounting Nut  |
| 13  | 064-001-00 | 1       | Stabilizer Bracket  |
| 14  | 046-007-00 | 1       | Adjuster Slot Plug  |
| <b>For brakes manufactured after 8/1/91</b> |            |         |   |
| 15  | 046-114-00 | 2       | Shoe Centering Spring   |

\* Not included with complete brake assembly. Item sold separately.

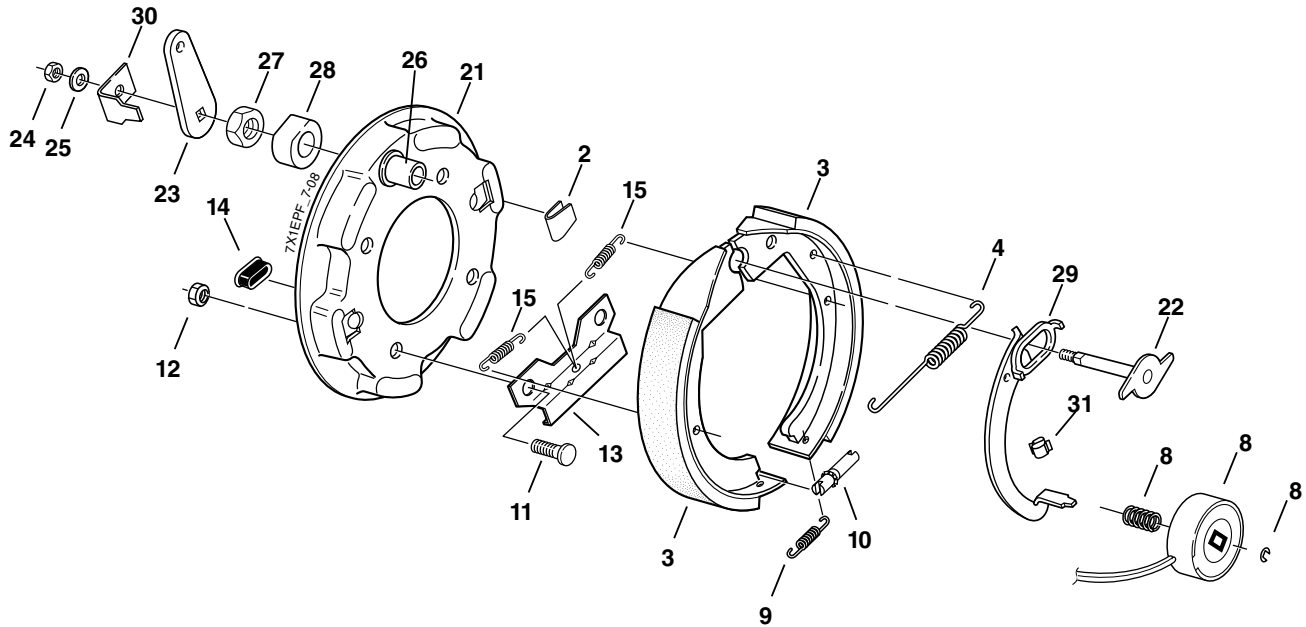
**This brake is rated to a maximum capacity of 2200 lbs. / pair**

# 7" x 1¼" Electric Brake With Parking Feature



CSA approved at 2000#/11.3 SLR; 2200#/10.2 SLR

**600 - 1100 LBS. CAPACITY**



## Electric Parking Brake

| Item  | Part No.   | Qty/Brk | Description   |
|---|------------|---------|---|
| 0   | K23-103-00 | 1       | LH Complete Brake Assembly (shown)  |
| 0   | K23-104-00 | 1       | RH Complete Brake Assembly  |
| 2   | 046-023-00 | 2       | Shoe Hold Down Clip   |
| 3   | K71-045-00 | 1       | Shoe & Lining Kit Contains:<br>1 #040-125-00 Primary Shoe & Lining<br>2 #040-049-00 Secondary Shoe & Lining |
| 4   | 046-024-00 | 1       | Retractor spring  |
| <b>For brakes manufactured after 4/1/90</b> |            |         |   |
| 8   | K71-057-00 | 1       | Magnet Kit Contains:<br>1 #042-134-00 Magnet<br>1 #046-121-00 Magnet Clip<br>1 #046-086-00 Magnet Spring    |
| 9   | 046-022-00 | 1       | Adjusting Screw Spring  |
| 10  | 043-021-00 | 1       | Adjusting Screw   |
| 11  | 007-041-00 | 4       | Brake Mounting Bolt - Press-in  |
| *12   | 006-017-00 | 4       | Brake Mounting Nut  |
| 13  | 064-001-00 | 1       | Stabilizer Bracket  |
| 14  | 046-007-00 | 1       | Adjuster Slot Plug  |
| <b>For brakes manufactured after 8/1/91</b> |            |         |   |
| 15  | 046-114-00 | 2       | Shoe Centering Spring   |

\* Not included with complete brake assembly. Item sold separately.

## Electric Parking Brake

| Item | Part No.   | Qty/Brk | Description  |
|------|------------|---------|--|
| 21   | 036-036-07 | 1       | LH Backing Plate & Lever Arm<br>(includes items #22-30, 2, 11, 13) |
| 21   | 036-036-08 | 1       | RH Backing Plate & Lever Arm<br>(includes items #22-30, 2, 11, 13) |
| 22   | 039-041-00 | 1       | LH Pivot Pin & Cam Sub-Assembly                                    |
| 22   | 039-042-00 | 1       | RH Pivot Pin & Cam Sub-Assembly                                    |
| 23   | 047-079-00 | 1       | Lever  |
| 24   | 006-075-00 | 1       | Self Locking Nut   |
| 25   | 005-056-00 | 1       | Washer   |
| 26   | 038-057-00 | 1       | Anchor Pin   |
| 27   | 006-074-00 | 1       | Self Locking Nut   |
| 28   | 071-031-00 | 1       | Spacer   |
| 29   | 047-114-02 | 1       | LH Lever Arm & Cam Assembly  |
| 29   | 047-115-02 | 1       | RH Lever Arm & Cam Assembly  |
| 30   | 071-033-00 | 1       | Lever Stop   |
| 31   | 027-005-00 | 1       | Wire Clip  |

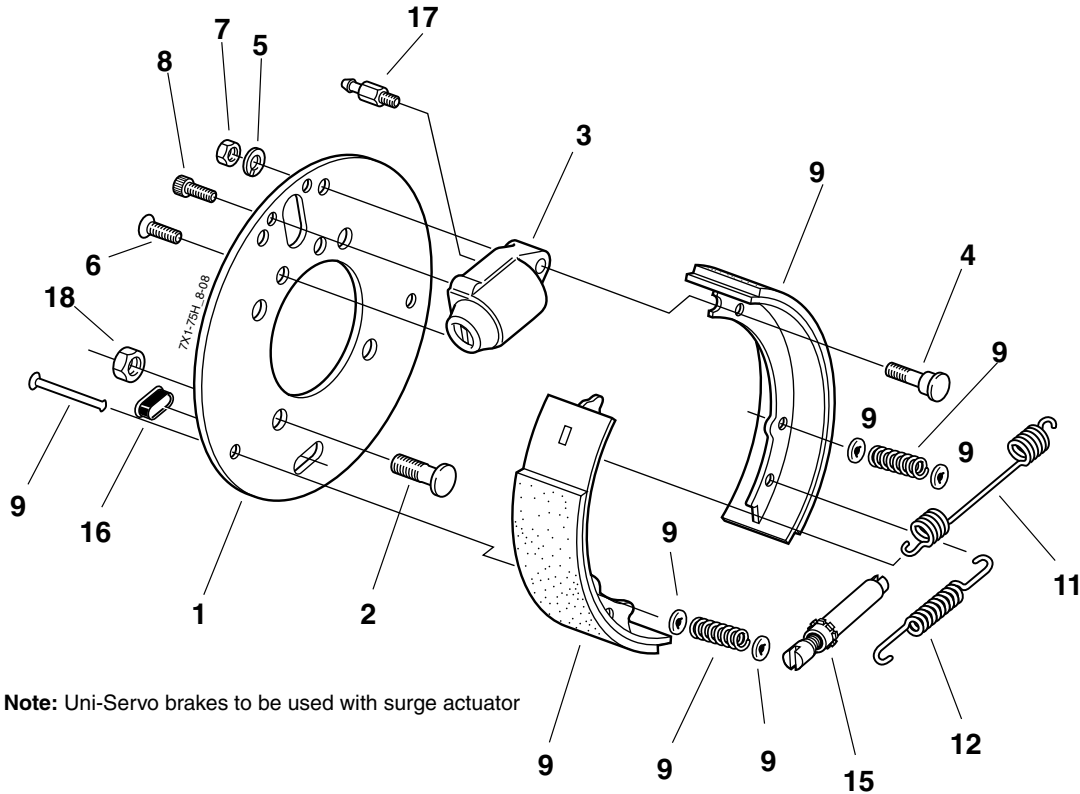
**This brake is rated to a maximum capacity of 2200 lbs. / pair**

# 7" x 1<sup>3</sup>/<sub>4</sub>" Hydraulic Brake



CSA approved at 2500#/11.2 SLR

**600 - 1100 LBS. CAPACITY**



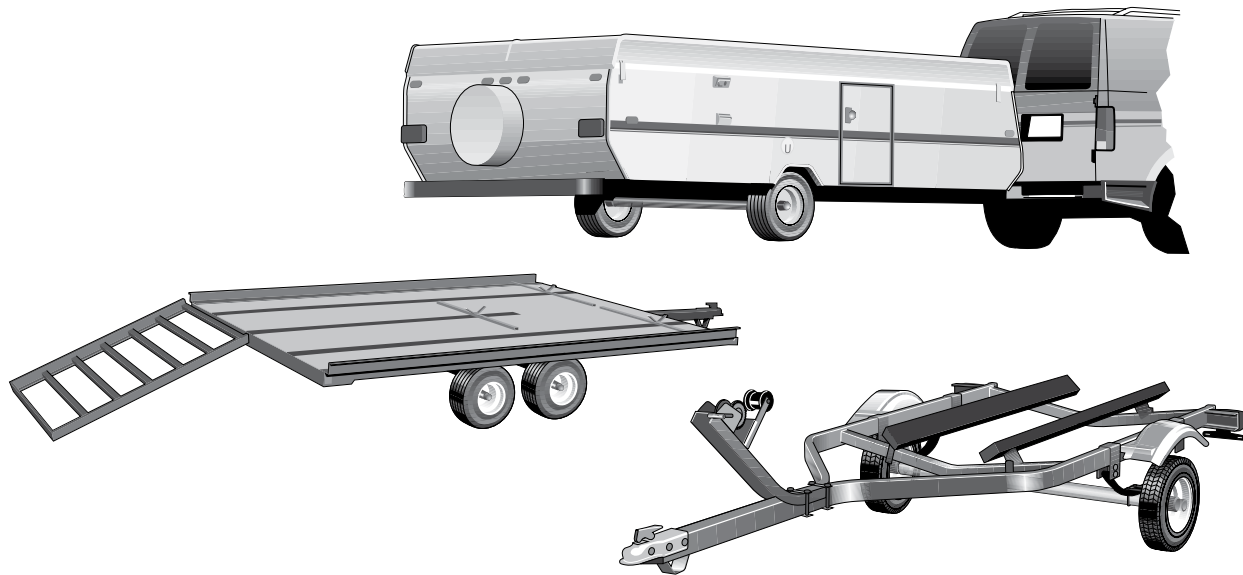
**Note:** Uni-Servo brakes to be used with surge actuator

## Hydraulic Brake

| Item | Part No.   | Qty/Brk | Description   |
|------|------------|---------|---|
| 0    | K23-398-00 | 1       | LH Complete Brake Assembly (shown)  |
| 0    | K23-399-00 | 1       | RH Complete Brake Assembly  |
| 1    | 036-038-00 | 1       | Backing Plate   |
| 2    | 007-041-00 | 4       | Brake Mounting Bolt - Press-in  |
| 3    | 054-080-03 | 1       | Wheel Cylinder Assembly - LH (includes item #17)  |
| 3    | 054-080-04 | 1       | Wheel Cylinder Assembly - RH (includes item #17)  |
| 4    | 038-072-00 | 1       | Anchor Post   |
| 5    | 005-004-00 | 1       | Lock Washer   |
| 6    | 007-235-00 | 1       | Counter Sunk Cap Screw  |
| 7    | 006-010-00 | 1       | Hex Nut   |
| 8    | 007-234-00 | 1       | Socket Head Cap Screw   |
| 9    | K71-466-00 | 1       | Shoe & Lining Kit Contains:<br>1 #040-327-01 Primary Shoe & Lining<br>1 #040-328-01 Secondary Shoe & Lining<br>2 #046-006-00 Shoe Hold Down Spring<br>4 #035-001-00 Shoe Hold Down Spring Cup<br>2 #049-014-00 Shoe Hold Down Pin |
| 11   | 046-126-00 | 1       | Retractor spring  |
| 12   | 046-127-00 | 1       | Adjusting Screw Spring  |
| 15   | 043-004-00 | 1       | Adjuster Screw Assembly   |
| 16   | 046-007-00 | 1       | Adjuster Slot Plug  |
| 17   | 054-084-00 | 1       | Bleeder Screw 6mm Thread (brakes before 1/97)   |
| 17   | 054-088-00 | 1       | Bleeder Screw 7mm Thread (brakes after 1/97)  |
| *18  | 006-017-00 | 4       | Brake Mounting Nut  |

\* Not included with complete brake assembly. Item sold separately.

**This brake is rated to a maximum capacity of 2200 lbs. / pair**



## Axle Types

### 1000-2200 Lbs. Capacity

- Complete service manual
- Heavy duty 1 1/8" spindle design
- Precision machined steel spindles and integral cast iron hub/drums
- CSA approved 7" x 1 1/4" electric and 7" x 1 3/4" hydraulic brakes
- Electric brakes are available with and without parking feature
- Standard grease lubrication; E-Z Lube® option
- Press-in wheel studs
- Inner wiring system for easier installation and protection of brake wiring



### D20 LEAF SPRING



- Designed for light-capacity trailers
- Designed for travel trailers being towed by smaller automobiles
- High strength 1 3/4" diameter tube for straight axles and 2 3/8" for drops
- Straight or Drop spindles (4" drop only)
- High quality alloy steel springs in a variety of capacities
- Single, tandem, or triple axle assemblies with equalized suspensions
- Slipper spring or double eye leaf spring suspension
- Optional hanger and attaching parts kits available
- Durable, wear-resistant components
- 2 year limited warranty

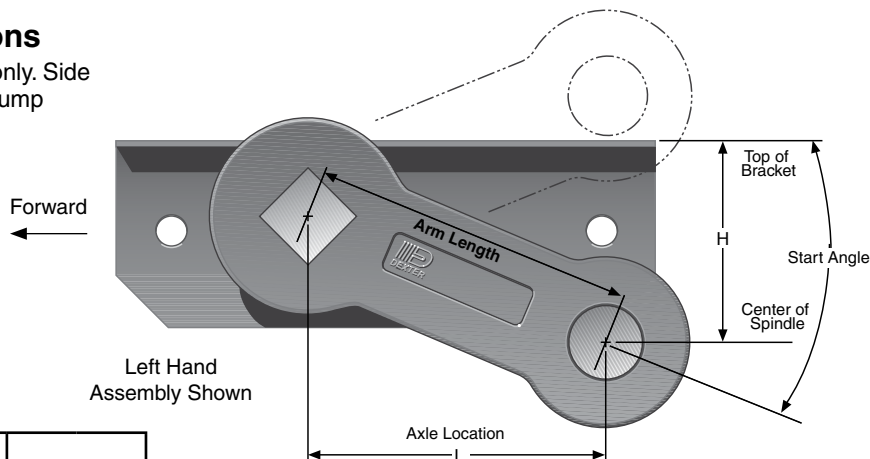
- Designed for fold-down campers, light utility, boat trailer applications
- Totally rubber-cushioned for smooth, quiet, independent ride
- Easy installation with less maintenance
- Less transfer of road shock which insulates cargo from road shocks and vibration
- Rubber cords compounded for maximum dependability and durability
- Load-carrying cross member
- Self-damping action
- Independent wheel suspension system
- 5 year limited warranty on suspension system
- Low profile for maximum road clearance
- Various starting angles to control trailer height
- High and low profile brackets with optional mounting brackets available
- Rubber cushioning eliminates metal-to-metal contact
- Shock absorption provided by the natural hysteresis of rubber
- Single or tandem axle assemblies
- Durable, wear-resistant components

**CAUTION:** Triple axle assemblies are NOT recommended for Torflex® axles.



## Articulation Dimensions

Dimensions are for top mount only. Side mount is .18" higher. Allow 3" bump clearance from full load.



| Start Angle | Bracket Profile | No Load |      | Full Load |      | Shock Load |      |
|-------------|-----------------|---------|------|-----------|------|------------|------|
|             |                 | H       | L    | H         | L    | H          | L    |
| 45° Down    | Low             | 5.46    | 4.24 | 3.52      | 5.54 | 2.52       | 5.86 |
|             | High            | 6.33    | 4.24 | 4.38      | 5.54 | 3.38       | 5.86 |
| 22.5° Down  | Low             | 3.52    | 5.54 | 1.22      | 6.00 | 0.18       | 5.91 |
|             | High            | 4.38    | 5.54 | 2.00      | 6.00 | 1.04       | 5.91 |
| 10° Down    | Low             | 2.26    | 5.91 | -0.08     | 5.86 | -1.08      | 5.54 |
|             | High            | 3.13    | 5.91 | 0.79      | 5.86 | -0.21      | 5.54 |
| 0°          | Low             | 1.22    | 6.00 | -1.08     | 5.54 | -2.00      | 5.06 |
|             | High            | 2.09    | 6.00 | -0.21     | 5.54 | -1.14      | 5.06 |
| 10° Up      | Low             | 0.18    | 5.91 | -2.00     | 5.06 | -2.83      | 4.42 |
|             | High            | 1.04    | 5.91 | -1.14     | 5.06 | -1.97      | 4.42 |
| 22.5° Up    | Low             | -1.08   | 5.54 | -3.02     | 4.24 | -3.70      | 3.44 |
|             | High            | -0.21   | 5.54 | -2.16     | 4.24 | -2.83      | 3.44 |

### #9 Overhang Per Side

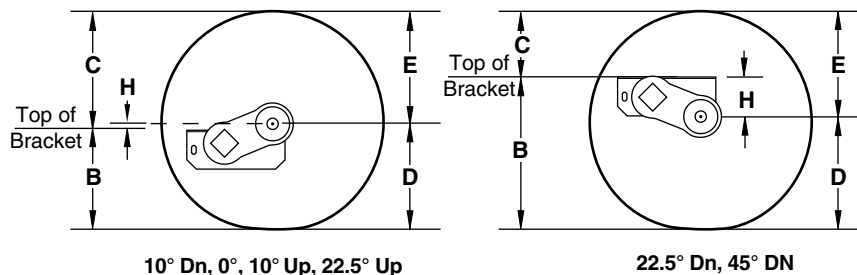
| Spindle  | Min.  | Max.   |
|----------|-------|--------|
| Short    | 6.00" | 10.90" |
| Standard | 6.50" | 10.90" |

**Note:** Positive numbers in the H column indicate the spindle is BELOW the top of the bracket. Conversely, negative numbers are ABOVE the top of the bracket.



## Full Load Dimensions

Dimensions are for low profile, top mount only. High profile brackets are .88" higher. Side mount is .18" higher. Allow 3" bump clearance from full load.



### Start Angle

| Tire          | * D  | ** E | 45° Down |      |     | 22.5° Down |      |      | 10° Down |      |      | 0°   |      |      | 10° Up |     |      | 22.5° Up |     |      |
|---------------|------|------|----------|------|-----|------------|------|------|----------|------|------|------|------|------|--------|-----|------|----------|-----|------|
|               |      |      | H        | B    | C   | H          | B    | C    | H        | B    | C    | H    | B    | C    | H      | B   | C    |          |     |      |
| ST175/80R13   | 11.2 | 12.0 | 3.5      | 14.7 | 8.5 | 1.2        | 12.4 | 10.8 | -0.1     | 11.1 | 12.1 | -1.1 | 10.1 | 13.1 | -2.0   | 9.2 | 14.0 | -3.0     | 8.2 | 15.0 |
| 4.80-8        | 7.9  | 8.8  | 3.5      | 11.4 | 5.3 | 1.2        | 9.1  | 7.6  | -0.1     | 7.8  | 8.9  | -1.1 | 6.8  | 9.9  | -2.0   | 5.9 | 10.8 | -3.0     | 4.9 | 11.8 |
| 4.80-12       | 9.5  | 10.8 | 3.5      | 13.0 | 7.3 | 1.2        | 10.7 | 9.6  | -0.1     | 9.4  | 10.9 | -1.1 | 8.4  | 11.9 | -2.0   | 7.5 | 12.8 | -3.0     | 6.5 | 13.8 |
| 20.5 x 8.0-10 | 9.7  | 10.8 | 3.5      | 13.2 | 7.3 | 1.2        | 10.9 | 9.6  | -0.1     | 9.6  | 10.9 | -1.1 | 8.6  | 11.9 | -2.0   | 7.7 | 12.8 | -3.0     | 6.7 | 13.8 |

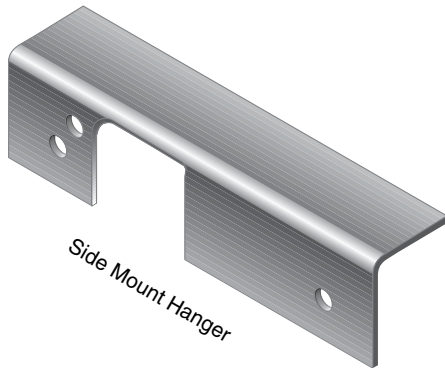
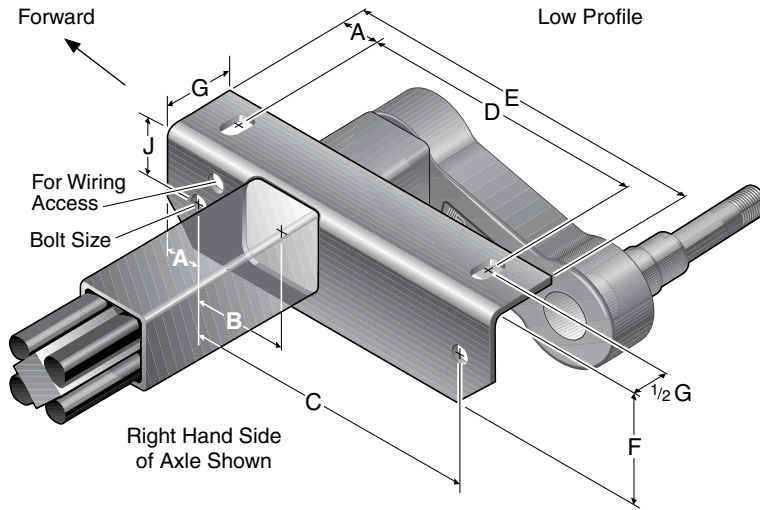
Columns D and E are dimensional examples only:

\* D – Static Loaded Radius

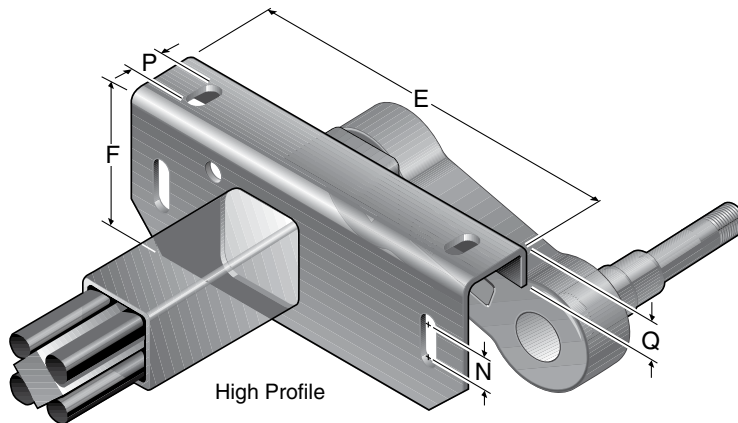
\*\* E – Inflated Radius



## **9** Bracket Dimensions



| #9 Bracket Dimensions |         |       |
|-----------------------|---------|-------|
|                       | Low     | High  |
| A                     | 1.00    | 1.00  |
| B                     | 2.38    | 2.38  |
| C                     | 8.00    | 8.00  |
| D                     | 7.75    | 7.75  |
| E                     | 10.00   | 10.00 |
| F                     | 2.88    | 3.75  |
| G                     | 2.00    | 2.00  |
| J                     | 1.57    | 1.57  |
| N                     | ----    | .86   |
| P                     | ----    | .94   |
| Q                     | ----    | 1.00  |
| Bolt Size             | ½" bolt |       |
| Tube Size             | 2.17    | 2.17  |



# Leaf Spring Application Information



## Double Eye Springs

**For Standard 33" Axle Spacing**  
 Single A/P-122-00  
 Tandem A/P-233-00  
 Triple A/P-335-00

|   | Spring Length |       |       |
|---|---------------|-------|-------|
|   | 21"           | 24"   | 26"   |
| A | 19.62         | 23.50 | 25.75 |
| B | 25.00         | 27.50 | 29.50 |
| C | 28.75         | 31.00 | 33.00 |
| D | 10.62         | 12.00 | 13.00 |
| E | 28.75         | 31.00 | 33.00 |

**For Optional 35" Axle Spacing**  
 Tandem A/P-264-00  
 Triple A/P-364-00

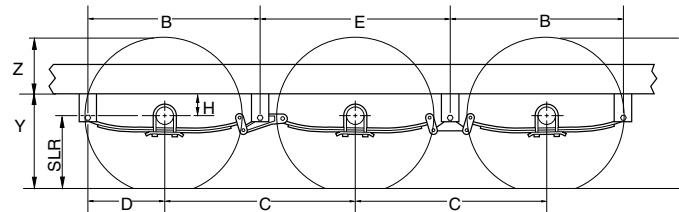
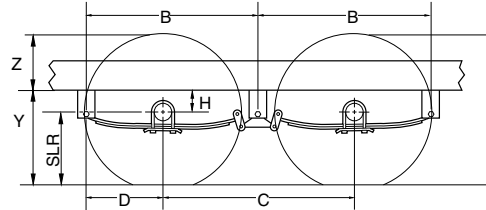
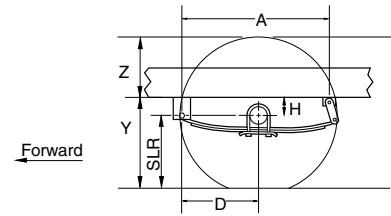
|   | Spring Length |       |       |
|---|---------------|-------|-------|
|   | 21"           | 24"   | 26"   |
| B | 26.00         | 28.50 | 30.50 |
| C | 30.80         | 33.00 | 35.00 |
| D | 10.62         | 12.00 | 13.00 |
| E | 30.80         | 33.00 | 35.00 |

## D20 Overhang Per Side

|          | Min.  | Max.  |
|----------|-------|-------|
| Straight | 5.75" | 7.62" |
| Drop     | 7.62" | 9.00" |

A, B, E – Hanger Spacing  
 C – Axle Spacing  
 D – Axle Location  
 H – Center of Spindle  
 Y – Frame Height  
 Z – Top of Tire to Bottom of Frame  
 SLR – Static Load Radius

To determine these values, contact your local sales engineer or distributor to run ProSpec™.



## Double Eye Axle Assemblies

### Hanger Kits

| Part No.   | Description   | Height | Quantity Per Kit |            |            |            |            |
|------------|---------------|--------|------------------|------------|------------|------------|------------|
|            |               |        | HGR-104-00       | HGR-105-00 | HGR-248-00 | HGR-249-00 | HGR-348-00 |
| 028-005-00 | Hanger        | 3.25"  | 2                | ---        | 4          | 2          | 4          |
| 028-006-00 | Front Hanger  | 1.44"  | ---              | 2          | ---        | ---        | ---        |
| 029-008-00 | Front Hanger  | 2.06"  | ---              | ---        | ---        | 4          | ---        |
| 029-031-00 | Center Hanger | 3.62"  | ---              | ---        | 2          | ---        | 4          |
| 030-020-00 | Rear Hanger   | .91"   | 2                | 2          | ---        | ---        | ---        |

### Attaching Parts Kits

| Part No.   | Description                 | A/P-122-00 | A/P-233-00     | A/P-264-00† | A/P-335-00 | A/P-364-00† |
|------------|-----------------------------|------------|----------------|-------------|------------|-------------|
|            |                             | 006-092-01 | Flange Locknut | 6           | 14         | 14          |
| 007-126-00 | Shackle Bolt                | 2          | 6              | 6           | 10         | 10          |
| 013-104-02 | Equalizer                   | ---        | 2              | ---         | 2          | ---         |
| 013-105-02 | Equalizer                   | ---        | ---            | ---         | 2          | ---         |
| 013-122-02 | Equalizer                   | ---        | ---            | 2           | ---        | 2           |
| 013-126-02 | Equalizer                   | ---        | ---            | ---         | ---        | 2           |
| 018-011-00 | Shackle Link                | ---        | 4              | 4           | 6          | 6           |
| 018-012-00 | Shackle Link, Long          | 2          | ---            | ---         | ---        | ---         |
| 018-020-00 | Shackle Link Assembly       | ---        | 4              | 4           | 6          | 6           |
| 018-021-00 | Shackle Link Assembly, Long | 2          | ---            | ---         | ---        | ---         |

† For 35" axle spacing using 26" springs

## Slipper Spring Axle Assemblies

### Hanger Kits

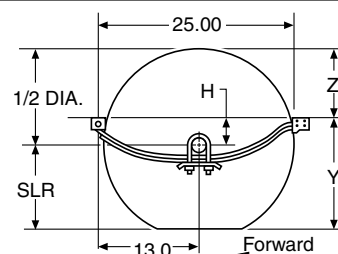
| Part No.   | Description  | Ht.   | HGR-115-00 |
|------------|--------------|-------|------------|
| 028-039-00 | Front Hanger | 3.25" | 2          |
| 030-037-00 | Rear Hanger  | 1.44" | 2          |

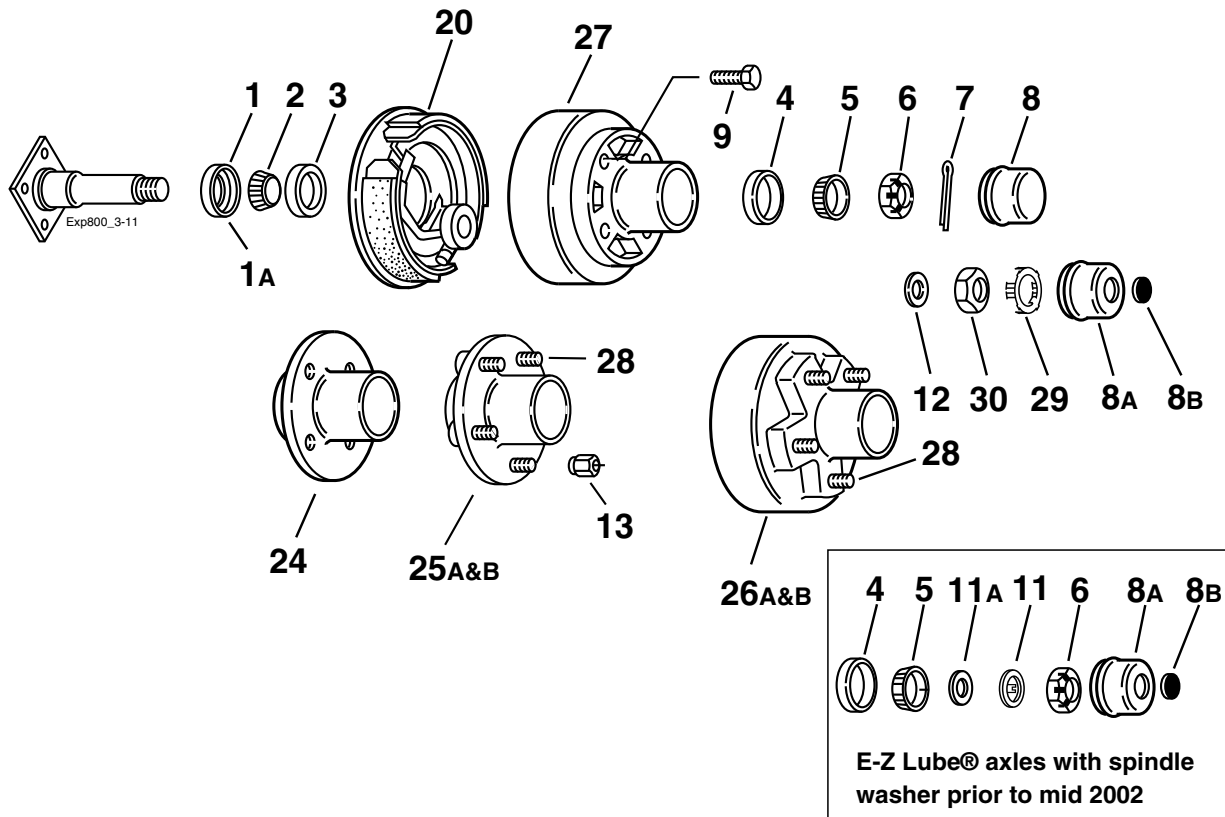
### Attaching Parts Kits

| Part No.   | Description  | A/P-115-00 |
|------------|--------------|------------|
| 006-092-01 | Locknut      | 2          |
| 007-126-00 | Shackle Bolt | 2          |

Some combinations of hangers and spring mountings may result in insufficient bump clearance. Refer to the Miscellaneous section for additional hanger kits, A/P kits, or other tires.

## Slipper Springs A/P-115-00





### Grease Lube Parts

| Item | Part No.   | Description                                     |
|------|------------|---|
| 1    | 010-009-00 | Grease Seal                                     |
| 1A   | 010-060-00 | Grease Seal for E-Z Lube®                       |
| 2    | 031-031-02 | L44649 Inner Bearing Cone                       |
| 3    | 031-031-01 | L44610 Inner Bearing Cup                        |
| 4    | 031-031-01 | L44610 Outer Bearing Cup                        |
| 5    | 031-031-02 | L44649 Outer Bearing Cone                       |
| 6    | 006-176-00 | Spindle Nut                                     |
| 7    | 019-002-00 | Cotter Pin (not used with E-Z Lube®)            |
| 8    | 021-003-00 | Grease Cap                                      |
| 8A   | 021-041-01 | Grease Cap for E-Z Lube®                        |
| 8B   | 085-001-00 | Rubber Plug for E-Z Lube®                       |
| 9    | 007-040-00 | Wheel Bolt                                      |
| 11   | 005-101-00 | Tang Washer for E-Z Lube® (before 2002)         |
| 11A  | 005-151-00 | Spindle Washer for E-Z Lube® (before 2002)      |
| 12   | 005-023-00 | Spindle Washer for E-Z Lube® (after 2002)       |
| 29   | 006-190-00 | Spindle Nut Retainer for E-Z Lube® (after 2002) |
| 30   | 006-191-00 | Special Jam Nut for E-Z Lube® (after 2002)      |

### Brakes

| Item | Part No.              | Description                         |
|------|-----------------------|-------------------------------------|
| 20   | K23-047-00/K23-048-00 | LH/RH 7"x1 1/4" Electric            |
| ns   | K23-103-00/K23-104-00 | LH/RH 7"x1 1/4" Electric w/park     |
| ns   | K23-398-00/K23-399-00 | LH/RH 7"x1 1/4" Hydraulic Uni-servo |

ns - not shown

Note: Spindle is not available for resale.

### Hubs

| Item                  | Part No.   | Description                      | Bolt Circle |
|-----------------------|------------|----------------------------------|-------------|
| <b>Hubs and Drums</b> |            |                                  |             |
| ns                    | 008-173-16 | 1/2" Studs, elec. brakes ONLY    | 4 on 4.00   |
| ns                    | 008-276-05 | 1/2" Studs, hyd. brakes ONLY     | 4 on 4.00   |
| 26A                   | 008-257-05 | 1/2" Studs, elec. brakes ONLY    | 5 on 4.50   |
| 26B                   | 008-271-07 | 1/2" Studs, hyd. brakes ONLY     | 5 on 4.50   |
| 27                    | 008-173-15 | 1/2" Tapped, elec. brakes ONLY   | 4 on 4.00   |
| ns                    | 008-257-04 | 1/2" Tapped, elec. brakes ONLY   | 5 on 4.50   |
| ns                    | 008-271-04 | 1/2" Tapped, hyd. brakes ONLY    | 5 on 4.50   |
| <b>Plain Hubs</b>     |            |                                  |             |
| ns                    | 008-091-05 | 1/2" Studs                       | 4 on 4.00   |
| 24                    | 008-091-04 | 1/2" Tapped                      | 4 on 4.00   |
| 25A                   | 008-259-05 | 1/2" Studs, 8"-12" wheels ONLY   | 5 on 4.50   |
| 25B                   | 008-258-05 | 1/2" Studs, 13"-15" wheels ONLY  | 5 on 4.50   |
| ns                    | 008-259-04 | 1/2" Tapped, 8"-12" wheels ONLY  | 5 on 4.50   |
| ns                    | 008-258-04 | 1/2" Tapped, 13"-15" wheels ONLY | 5 on 4.50   |

### Studs & Wheel Nuts

| Item | Part No.   | Description          |
|------|------------|----------------------|
| 9    | 007-040-00 | 1/2-20 Wheel Bolt    |
| 13   | 006-080-00 | 1/2-20 60° Cone Nut  |
| 28   | 007-246-00 | 1/2-20 Press-in Stud |

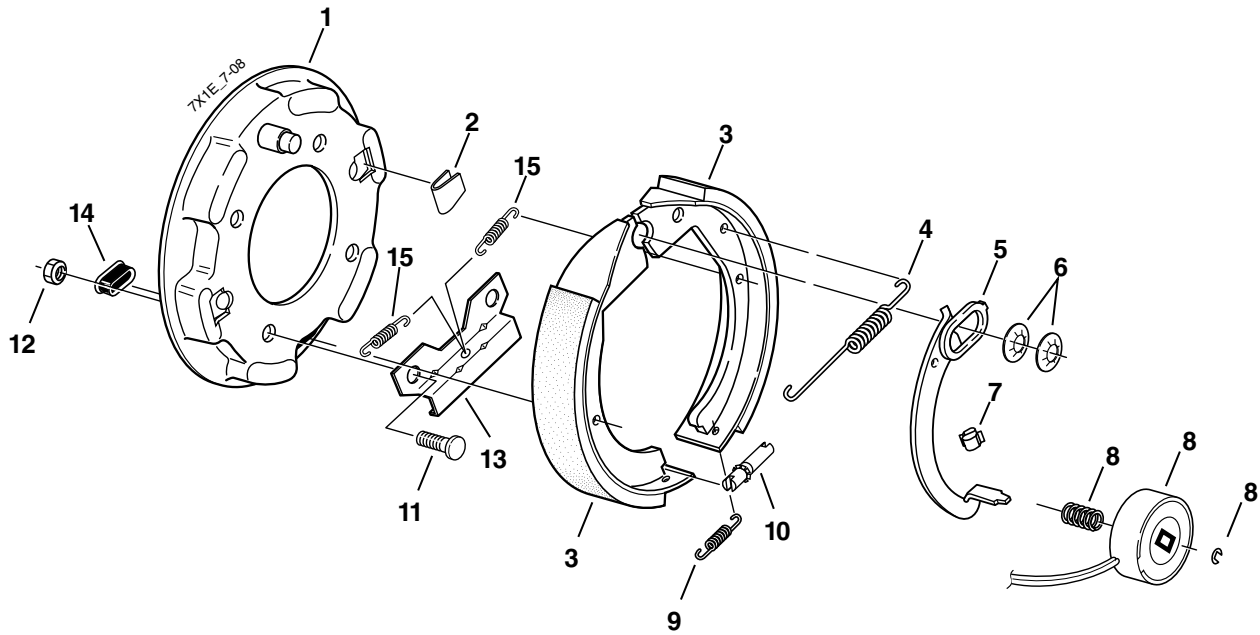


# 7" x 1¼" Electric Brake



CSA approved at 2000#/11.3 SLR; 2200#/10.2 SLR

**1000 - 2200 LBS. CAPACITY**



## Electric Brake

| Item  | Part No.   | Qty/Brk | Description   |
|---|------------|---------|---|
| 0   | K23-047-00 | 1       | LH Complete Brake Assembly (shown)  |
| 0   | K23-048-00 | 1       | RH Complete Brake Assembly  |
| 1   | 036-036-04 | 1       | Backing Plate Assembly<br>(includes items #11, 13)  |
| 2   | 046-023-00 | 2       | Shoe Hold Down Clip   |
| 3   | K71-045-00 | 1       | Shoe & Lining Kit Contains:<br>1 #040-125-00 Primary Shoe & Lining<br>2 #040-049-00 Secondary Shoe & Lining |
| 4   | 046-024-00 | 1       | Retractor spring  |
| 5   | 047-114-03 | 1       | LH Actuating Lever Arm  |
| 5   | 047-115-03 | 1       | RH Actuating Lever Arm  |
| 6   | 046-030-00 | 2       | Anchor Post Clip  |
| 7   | 027-005-00 | 1       | Wire Clip   |
| <b>For brakes manufactured after 4/1/90</b> |            |         |   |
| 8   | K71-057-00 | 1       | Magnet Kit Contains:<br>1 #040-134-00 Magnet<br>1 #046-121-00 Magnet Clip<br>1 #046-086-00 Magnet Spring    |
| 9   | 046-022-00 | 1       | Adjusting Screw Spring  |
| 10  | 043-021-00 | 1       | Adjusting Screw   |
| 11  | 007-041-00 | 4       | Brake Mounting Bolt - Press-in  |
| *12   | 006-017-00 | 4       | Brake Mounting Nut  |
| 13  | 064-001-00 | 1       | Stabilizer Bracket  |
| 14  | 046-007-00 | 1       | Adjuster Slot Plug  |
| <b>For brakes manufactured after 8/1/91</b> |            |         |   |
| 15  | 046-114-00 | 2       | Shoe Centering Spring   |

\* Not included with complete brake assembly. Item sold separately.

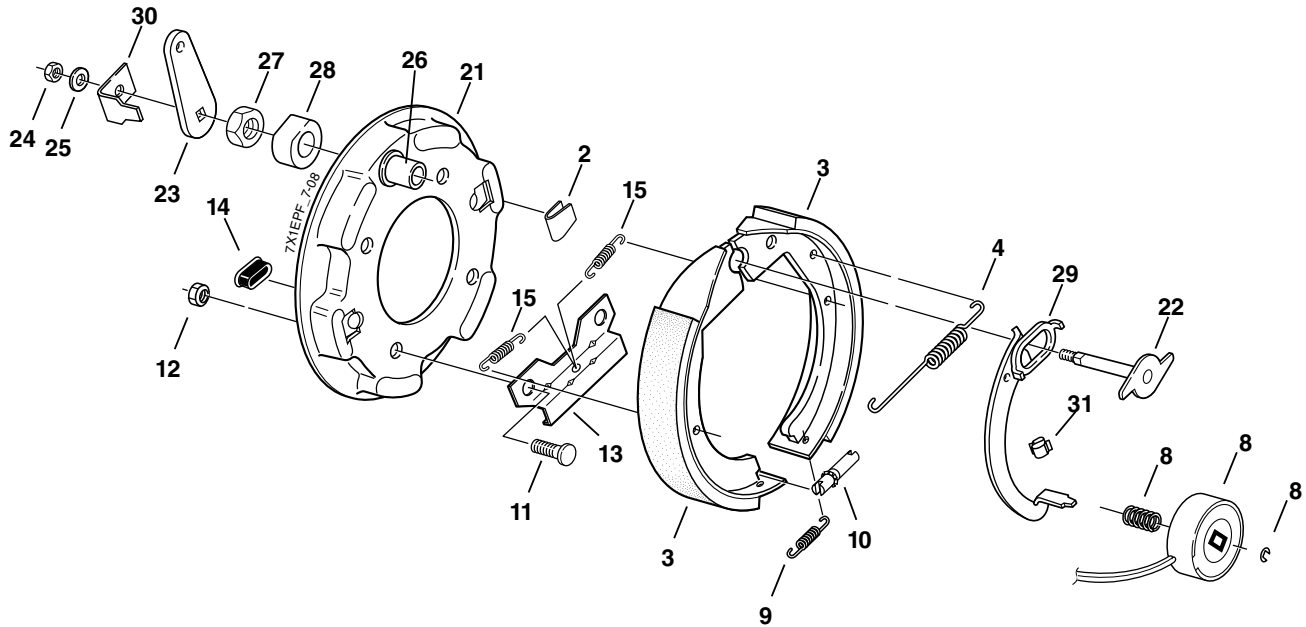
**This brake is rated to a maximum capacity of 2200 lbs. / pair**

# 7" x 1¼" Electric Brake With Parking Feature



CSA approved at 2000#/11.3 SLR; 2200#/10.2 SLR

**1000 - 2200 LBS. CAPACITY**



## Electric Parking Brake

| Item  | Part No.   | Qty/Brk | Description   |
|---|------------|---------|---|
| 0   | K23-103-00 | 1       | LH Complete Brake Assembly (shown)  |
| 0   | K23-104-00 | 1       | RH Complete Brake Assembly  |
| 2   | 046-023-00 | 2       | Shoe Hold Down Clip   |
| 3   | K71-045-00 | 1       | Shoe & Lining Kit Contains:<br>1 #040-125-00 Primary Shoe & Lining<br>2 #040-049-00 Secondary Shoe & Lining |
| 4   | 046-024-00 | 1       | Retractor spring  |
| <b>For brakes manufactured after 4/1/90</b> |            |         |   |
| 8   | K71-057-00 | 1       | Magnet Kit Contains:<br>1 #042-134-00 Magnet<br>1 #046-121-00 Magnet Clip<br>1 #046-086-00 Magnet Spring    |
| 9   | 046-022-00 | 1       | Adjusting Screw Spring  |
| 10  | 043-021-00 | 1       | Adjusting Screw   |
| 11  | 007-041-00 | 4       | Brake Mounting Bolt - Press-in  |
| *12   | 006-017-00 | 4       | Brake Mounting Nut  |
| 13  | 064-001-00 | 1       | Stabilizer Bracket  |
| 14  | 046-007-00 | 1       | Adjuster Slot Plug  |
| <b>For brakes manufactured after 8/1/91</b> |            |         |   |
| 15  | 046-114-00 | 2       | Shoe Centering Spring   |

\* Not included with complete brake assembly. Item sold separately.

## Electric Parking Brake

| Item | Part No.   | Qty/Brk | Description  |
|------|------------|---------|--|
| 21   | 036-036-07 | 1       | LH Backing Plate & Lever Arm<br>(includes items #22-30, 2, 11, 13) |
| 21   | 036-036-08 | 1       | RH Backing Plate & Lever Arm<br>(includes items #22-30, 2, 11, 13) |
| 22   | 039-041-00 | 1       | LH Pivot Pin & Cam Sub-Assembly                                    |
| 22   | 039-042-00 | 1       | RH Pivot Pin & Cam Sub-Assembly                                    |
| 23   | 047-079-00 | 1       | Lever  |
| 24   | 006-075-00 | 1       | Self Locking Nut   |
| 25   | 005-056-00 | 1       | Washer   |
| 26   | 038-057-00 | 1       | Anchor Pin   |
| 27   | 006-074-00 | 1       | Self Locking Nut   |
| 28   | 071-031-00 | 1       | Spacer   |
| 29   | 047-114-02 | 1       | LH Lever Arm & Cam Assembly  |
| 29   | 047-115-02 | 1       | RH Lever Arm & Cam Assembly  |
| 30   | 071-033-00 | 1       | Lever Stop   |
| 31   | 027-005-00 | 1       | Wire Clip  |

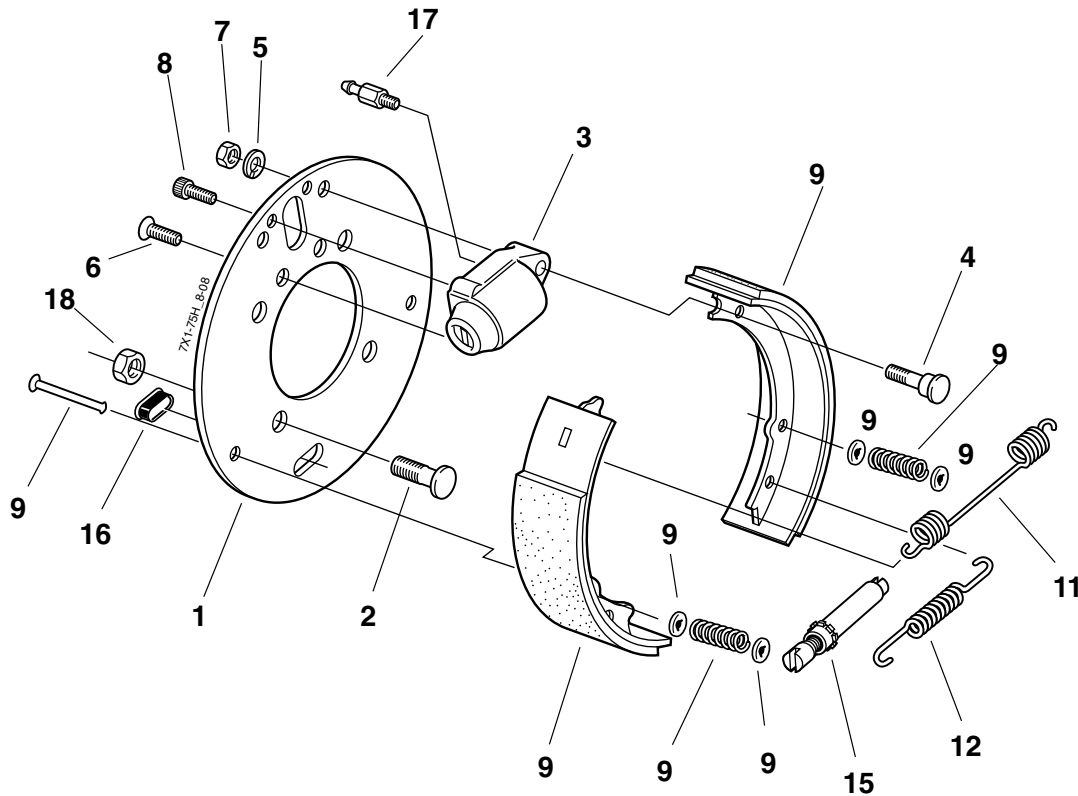
**This brake is rated to a maximum capacity of 2200 lbs. / pair**

# 7" x 1<sup>3</sup>/<sub>4</sub>" Hydraulic Brake



CSA approved at 2500#/11.2 SLR

**1000 - 2200 LBS. CAPACITY**



## Hydraulic Brake

| Item | Part No.   | Qty/Brk | Description   |
|------|------------|---------|---|
| 0    | K23-398-00 | 1       | LH Complete Brake Assembly (shown)  |
| 0    | K23-399-00 | 1       | RH Complete Brake Assembly  |
| 1    | 036-038-00 | 1       | Backing Plate   |
| 2    | 007-041-00 | 4       | Brake Mounting Bolt - Press-in  |
| 3    | 054-080-03 | 1       | Wheel Cylinder Assembly - LH (includes item #17)  |
| 3    | 054-080-04 | 1       | Wheel Cylinder Assembly - RH (includes item #17)  |
| 4    | 038-072-00 | 1       | Anchor Post   |
| 5    | 005-004-00 | 1       | Lock Washer   |
| 6    | 007-235-00 | 1       | Counter Sunk Cap Screw  |
| 7    | 006-010-00 | 1       | Hex Nut   |
| 8    | 007-234-00 | 1       | Socket Head Cap Screw   |
| 9    | K71-466-00 | 1       | Shoe & Lining Kit Contains:<br>1 #040-327-01 Primary Shoe & Lining<br>1 #040-328-01 Secondary Shoe & Lining<br>2 #046-006-00 Shoe Hold Down Spring<br>4 #035-001-00 Shoe Hold Down Spring Cup<br>2 #049-014-00 Shoe Hold Down Pin |
| 11   | 046-126-00 | 1       | Retractor spring  |
| 12   | 046-127-00 | 1       | Adjusting Screw Spring  |
| 15   | 043-004-00 | 1       | Adjuster Screw Assembly   |
| 16   | 046-007-00 | 1       | Adjuster Slot Plug  |
| 17   | 054-084-00 | 1       | Bleeder Screw 6mm Thread (brakes before 1/97)   |
| 17   | 054-088-00 | 1       | Bleeder Screw 7mm Thread (brakes after 1/97)  |
| *18  | 006-017-00 | 4       | Brake Mounting Nut  |

\* Not included with complete brake assembly. Item sold separately.

**This brake is rated to a maximum capacity of 2200 lbs. / pair**



## Axle Types

### 2300-3500 Lbs. Capacity

- Complete service manual
- Precision machined steel spindles and integral cast iron hub/drums
- Press-in wheel studs
- 10" x 1½" and 10" x 2¼" CSA approved electric brakes, CSA approved uni-servo and free backing hydraulic brakes
- Electric and hydraulic brakes are available with and without parking feature
- Hydraulic free backing brakes available
- Hydraulic disc brakes available
- Standard grease lubrication; E-Z Lube® option
- Inner wiring system for easier installation and protection of brake wiring



- Totally rubber-cushioned for smooth, quiet, independent ride
- Easy installation with less maintenance
- Less transfer of road shock which insulates cargo from road shocks and vibration
- Rubber cords compounded for maximum dependability and durability
- Load-carrying cross member
- Self-damping action
- Independent wheel suspension system
- 5 year limited warranty on suspension system
- Low profile for maximum road clearance
- Various starting angles to control trailer height
- High and low profile brackets with optional mounting brackets available
- Rubber cushioning eliminates metal-to-metal contact
- Shock absorption provided by the natural hysteresis of rubber
- Single or tandem axle assemblies
- Durable, wear-resistant components

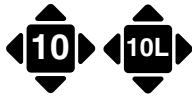
### D30 & D35 LEAF SPRING



- Straight or Drop spindles (3") D30
- Straight or Drop spindles (4" and 6" drop) D35
- High strength 2¾" diameter tube
- High quality alloy steel springs in a variety of capacities
- Single, tandem, or triple axle assemblies with equalized suspensions
- Slipper spring or double eye leaf spring suspension
- Optional hanger and attaching parts kits available
- Durable, wear-resistant components
- 2 year limited warranty

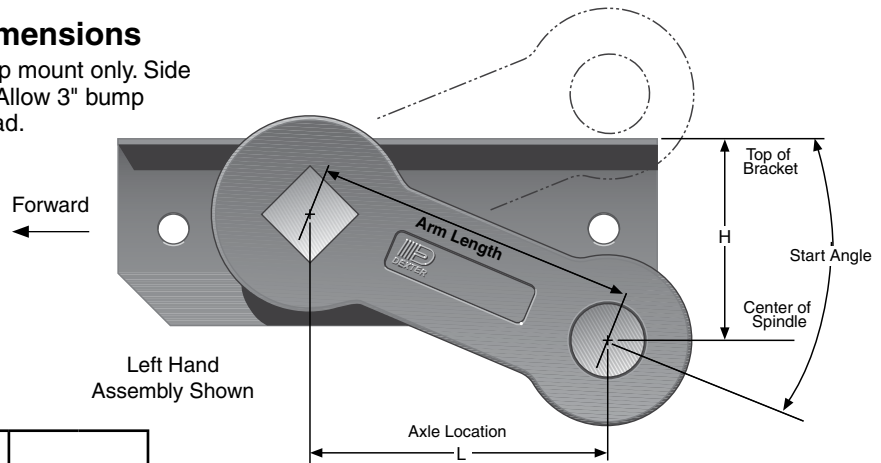


**CAUTION:** Triple axle assemblies are NOT recommended for Torflex® axles.



## Articulation Dimensions

Dimensions are for top mount only. Side mount is .18" higher. Allow 3" bump clearance from full load.

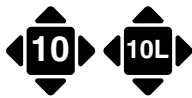


| Start Angle | Bracket Profile | No Load |      | Full Load |      | Shock Load |      |
|-------------|-----------------|---------|------|-----------|------|------------|------|
|             |                 | H       | L    | H         | L    | H          | L    |
| 45° Down    | Low             | 5.73    | 4.24 | 3.79      | 5.54 | 2.79       | 5.86 |
|             | High            | 6.55    | 4.24 | 4.61      | 5.54 | 3.61       | 5.86 |
| 22.5° Down  | Low             | 3.79    | 5.54 | 1.49      | 6.00 | 0.45       | 5.91 |
|             | High            | 4.61    | 5.54 | 2.31      | 6.00 | 1.27       | 5.91 |
| 10° Down    | Low             | 2.53    | 5.91 | 0.19      | 5.86 | -0.81      | 5.54 |
|             | High            | 3.35    | 5.91 | 1.01      | 5.86 | 0.01       | 5.54 |
| 0°          | Low             | 1.49    | 6.00 | -0.81     | 5.54 | -1.73      | 5.06 |
|             | High            | 2.31    | 6.00 | 0.01      | 5.54 | -0.91      | 5.06 |
| 10° Up      | Low             | 0.45    | 5.91 | -1.73     | 5.06 | -2.56      | 4.42 |
|             | High            | 1.27    | 5.91 | -0.91     | 5.06 | -1.74      | 4.42 |
| 22.5° Up    | Low             | -0.81   | 5.54 | -2.75     | 4.24 | -3.43      | 3.44 |
|             | High            | 0.01    | 5.54 | -1.93     | 4.24 | -2.60      | 3.44 |

### #10 Overhang Per Side

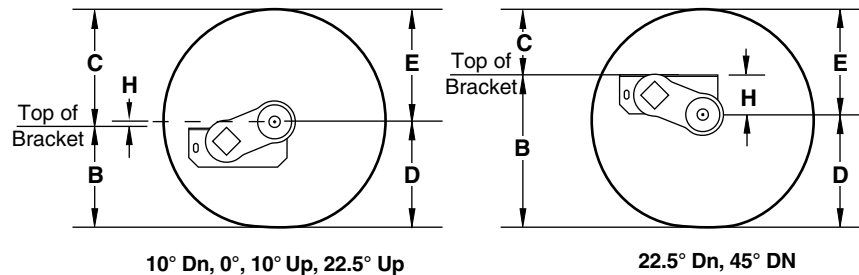
| Spindle    | Min.  | Max.   |
|------------|-------|--------|
| Standard   | 6.30" | 11.80" |
| Disc Brake | 6.56" | 11.80" |
| #10L       | 5.88" | 13.76" |

**Note:** Positive numbers in the H column indicate the spindle is BELOW the top of the bracket. Conversely, negative numbers are ABOVE the top of the bracket.



## Full Load Dimensions

Dimensions are for low profile, top mount only. High profile brackets are .82" higher. Side mount is .18" higher. Allow 3" bump clearance from full load.



### Start Angle

| Tire        | * D  | ** E | 45° Down |      |      | 22.5° Down |      |      | 10° Down |      |      | 0°   |      |      | 10° Up |      |      | 22.5° Up |      |      |
|-------------|------|------|----------|------|------|------------|------|------|----------|------|------|------|------|------|--------|------|------|----------|------|------|
|             |      |      | H        | B    | C    | H          | B    | C    | H        | B    | C    | H    | B    | C    | H      | B    | C    |          |      |      |
| ST175/80R13 | 11.2 | 12.0 | 3.8      | 15.0 | 8.2  | 1.5        | 12.7 | 10.5 | 0.2      | 11.4 | 11.8 | -0.8 | 10.4 | 12.8 | -1.7   | 9.5  | 13.7 | -2.8     | 8.4  | 14.8 |
| ST205/75R14 | 12.1 | 13.1 | 3.8      | 15.9 | 9.3  | 1.5        | 13.6 | 11.6 | 0.2      | 12.3 | 12.9 | -0.8 | 11.3 | 13.9 | -1.7   | 10.4 | 14.8 | -2.8     | 9.3  | 15.9 |
| ST225/75R15 | 13.0 | 14.4 | 3.8      | 16.8 | 10.6 | 1.5        | 14.5 | 12.9 | 0.2      | 13.2 | 14.2 | -0.8 | 12.2 | 15.2 | -1.7   | 11.3 | 16.1 | -2.8     | 10.2 | 17.2 |

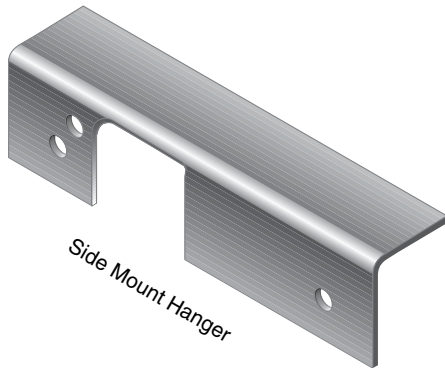
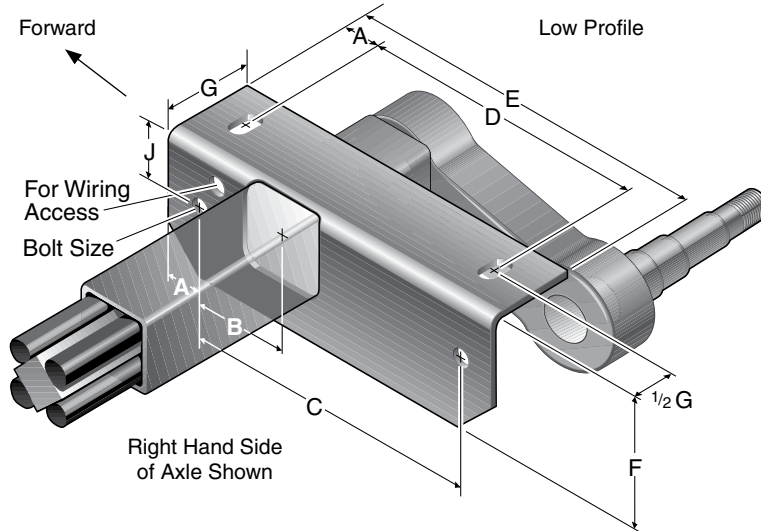
Columns D and E are dimensional examples only:

\* D – Static Loaded Radius

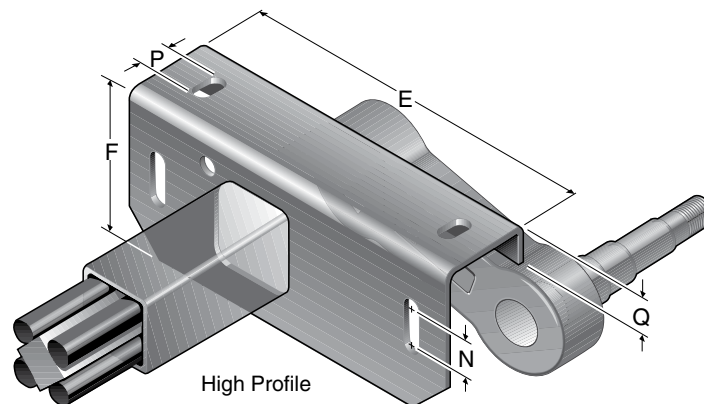
\*\* E – Inflated Radius



**10 10L Bracket Dimensions**



| #10 Bracket Dimensions |           |       |
|------------------------|-----------|-------|
|                        | Low       | High  |
| A                      | 1.00      | 1.00  |
| B                      | 2.50      | 2.50  |
| C                      | 8.00      | 8.00  |
| D                      | 8.00      | 8.00  |
| E                      | 10.00     | 10.00 |
| F                      | 3.43      | 4.25  |
| G                      | 2.50      | 2.50  |
| J                      | 1.62      | 1.62  |
| N                      | ----      | 1.03  |
| P                      | ----      | 1.00  |
| Q                      | ----      | 1.00  |
| Bolt Size              | 5/8" bolt |       |
| Tube Size              | 2.62      | 2.62  |



# Leaf Spring Application Information



## Double Eye Springs

**For Standard 33" Axle Spacing**  
 Single A/P-122-00  
 Tandem A/P-233-00  
 Triple A/P-335-00

|   | Spring Length |       |       |
|---|---------------|-------|-------|
|   | 21"           | 24"   | 26"   |
| A | 19.62         | 23.50 | 25.75 |
| B | 25.00         | 27.50 | 29.50 |
| C | 28.75         | 31.00 | 33.00 |
| D | 10.62         | 12.00 | 13.00 |
| E | 28.75         | 31.00 | 33.00 |

**For Optional 35" Axle Spacing**  
 Tandem A/P-264-00  
 Triple A/P-364-00

|   | Spring Length |       |       |
|---|---------------|-------|-------|
|   | 21"           | 24"   | 26"   |
| B | 26.00         | 28.50 | 30.50 |
| C | 30.80         | 33.00 | 35.00 |
| D | 10.62         | 12.00 | 13.00 |
| E | 30.80         | 33.00 | 35.00 |

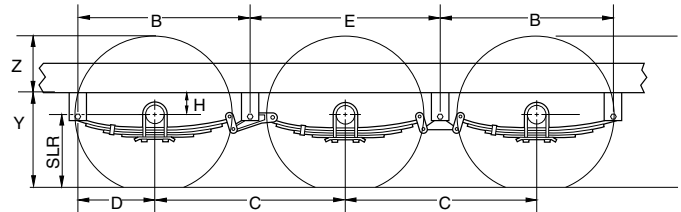
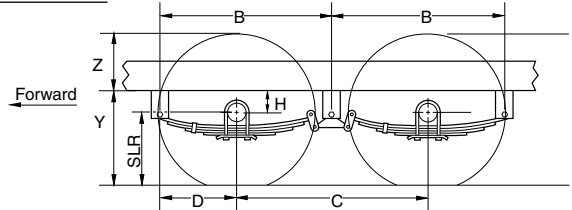
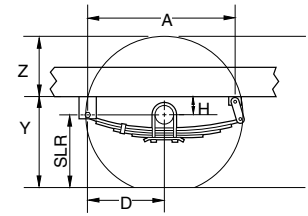
## D35 Overhang Per Side

|                  | Min.  | Disc.* | Max.   |
|------------------|-------|--------|--------|
| Straight         | 5.62" | 7.5"   | 9.00"  |
| 4" Drop          | 7.00" | 7.5"   | 9.00"  |
| 6" Drop          | 7.87" | 7.87"  | 9.00"  |
| 3" Dia. Straight | 5.62" | 7.5"   | 11.50" |
| 3" Dia. Drop     | 7.00" | 7.5"   | 11.50" |
| Nev-R-Lube®      | 5.31" | ----   | 9.00"  |

\* Minimum overhang with disc brakes

## D30 Overhang Per Side

|          | Min.  | Max.  |
|----------|-------|-------|
| Straight | 5.63" | 9.00" |
| 3" Drop  | 7.00" | 9.00" |



## Double Eye Axle Assemblies

### Hanger Kits

| Part No.   | Description   | Height | Quantity Per Kit |            |            |            |            |
|------------|---------------|--------|------------------|------------|------------|------------|------------|
|            |               |        | HGR-104-00       | HGR-105-00 | HGR-248-00 | HGR-249-00 | HGR-348-00 |
| 028-005-00 | Hanger        | 3.25"  | 2                | ----       | 4          | 2          | 4          |
| 028-006-00 | Front Hanger  | 1.44"  | ----             | 2          | ----       | ----       | ----       |
| 029-008-00 | Front Hanger  | 2.06"  | ----             | ----       | ----       | 4          | ----       |
| 029-031-00 | Center Hanger | 3.62"  | ----             | ----       | 2          | ----       | 4          |
| 030-020-00 | Rear Hanger   | .91"   | 2                | 2          | ----       | ----       | ----       |

### Attaching Parts Kits

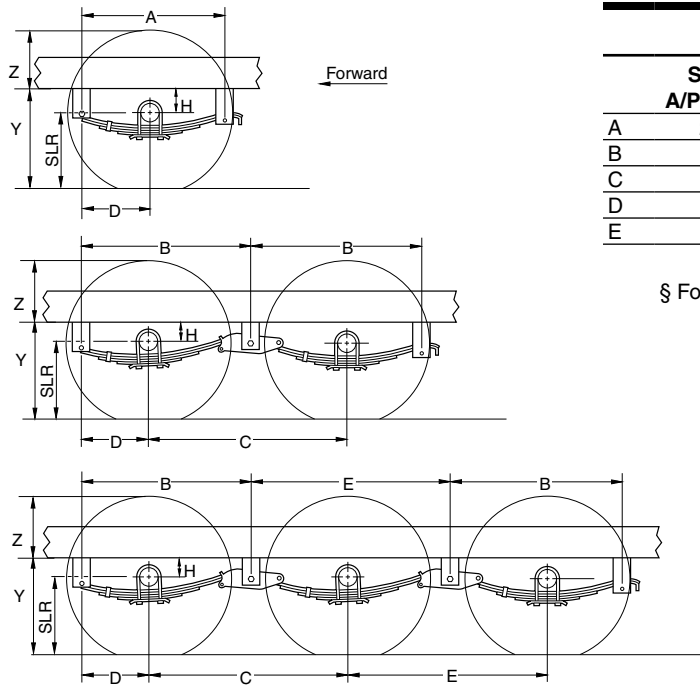
| Part No.   | Description                 | A/P-122-00 | A/P-233-00     | A/P-264-00† | A/P-335-00 | A/P-364-00† |
|------------|-----------------------------|------------|----------------|-------------|------------|-------------|
|            |                             | 006-092-01 | Flange Locknut | 6           | 14         | 14          |
| 007-126-00 | Shackle Bolt                | 2          | 6              | 6           | 10         | 10          |
| 013-104-02 | Equalizer                   | ----       | 2              | ----        | 2          | ----        |
| 013-105-02 | Equalizer                   | ----       | ----           | ----        | 2          | ----        |
| 013-122-02 | Equalizer                   | ----       | ----           | 2           | ----       | 2           |
| 013-126-02 | Equalizer                   | ----       | ----           | ----        | ----       | 2           |
| 018-011-00 | Shackle Link                | ----       | 4              | 4           | 6          | 6           |
| 018-012-00 | Shackle Link, Long          | 2          | ----           | ----        | ----       | ----        |
| 018-020-00 | Shackle Link Assembly       | ----       | 4              | 4           | 6          | 6           |
| 018-021-00 | Shackle Link Assembly, Long | 2          | ----           | ----        | ----       | ----        |

† For 35" axle spacing using 26" springs

# Leaf Spring Application Information



**2300 - 3500 LBS. CAPACITY**



## Slipper Springs

|   | Single     | Tandem                  |                         | Triple                  |                         |
|---|------------|-------------------------|-------------------------|-------------------------|-------------------------|
|   | A/P-103-00 | A/P-202-00 <sup>§</sup> | A/P-216-00 <sup>‡</sup> | A/P-302-00 <sup>§</sup> | A/P-316-00 <sup>‡</sup> |
| A | 24.0       | ----                    | ----                    | ----                    | ----                    |
| B | ----       | 28.8                    | 30.4                    | 28.8                    | 30.4                    |
| C | ----       | 33.5                    | 36.0                    | 33.5                    | 36.0                    |
| D | 11.5       | 11.5                    | 11.5                    | 11.5                    | 11.5                    |
| E | ----       | ----                    | ----                    | 33.0                    | 35.0                    |

**Note:** All 2" wide slipper springs  
<sup>§</sup> For 33.5" axle spacing      <sup>‡</sup> For 36" axle spacing

A, B, E – Hanger Spacing  
 C – Axle Spacing  
 D – Axle Location  
 H – Center of Spindle  
 Y – Frame Height  
 Z – Top of Tire to Bottom of Frame  
 SLR – Static Load Radius

To determine these values, contact your local sales engineer or distributor to run ProSpec™.

## Slipper Spring Axle Assemblies

| Hanger Kits |               |        | Quantity Per Kit |            |            |
|-------------|---------------|--------|------------------|------------|------------|
| Part No.    | Description   | Height | HGR-110-00       | HGR-202-00 | HGR-302-00 |
| 028-001-00  | Front Hanger  | 4.25"  | 2                | 2          | 2          |
| 029-001-00  | Center Hanger | 3.50"  | ----             | 2          | 4          |
| 030-028-00  | Rear Hanger   | 4.00"  | 2                | 2          | 2          |

| Attaching Parts Kits |                 | A/P-103-00 | A/P-202-00 <sup>§</sup> | A/P-216-00 <sup>‡</sup> | A/P-302-00 <sup>§</sup> | A/P-316-00 <sup>‡</sup> |
|----------------------|-----------------|------------|-------------------------|-------------------------|-------------------------|-------------------------|
| 006-007-01           | 1/16-18 Locknut | 2          | 4                       | 4                       | 6                       | 6                       |
| 006-011-00           | Keeper Nut      | 2          | 4                       | 4                       | 6                       | 6                       |
| 006-111-00           | Equalizer Nut   | ----       | 2                       | 2                       | 4                       | 4                       |
| 007-001-01           | Equalizer Bolt  | ----       | 2                       | 2                       | 4                       | 4                       |
| 007-007-00           | Keeper Bolt     | 2          | 4                       | 4                       | 6                       | 6                       |
| 007-017-00           | Spring Eye Bolt | 2          | 4                       | 4                       | 6                       | 6                       |
| 013-004-00           | Equalizer       | ----       | 2                       | ----                    | 4                       | ----                    |
| 013-044-01           | Equalizer       | ----       | ----                    | 2                       | ----                    | 4                       |

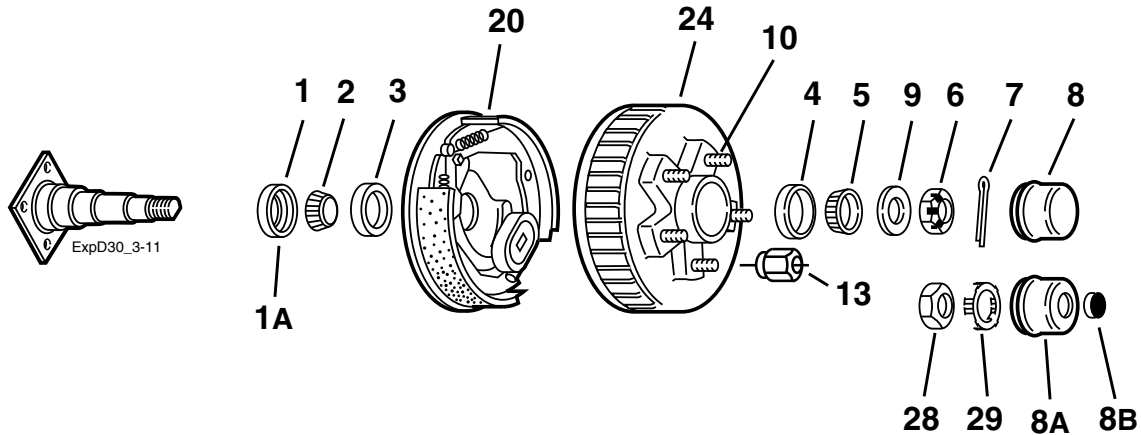
<sup>§</sup> For 33.5" axle spacing

<sup>‡</sup> For 36" axle spacing

Some combinations of hangers and spring mountings may result in insufficient bump clearance. Refer to the Miscellaneous section for additional hanger kits, A/P kits, or other tires.



# D30 and #10L 545 Hub Group



## Grease Lube Parts

| Item | Part No.   | Description                                     |
|------|------------|---|
| 1    | 010-004-00 | Grease Seal                                     |
| 1A   | 010-019-00 | Grease Seal for E-Z Lube®                       |
| 2    | 031-032-02 | LM67048 Inner Bearing Cone                      |
| 3    | 031-032-01 | LM67010 Inner Bearing Cup                       |
| 4    | 031-031-01 | L44610 Outer Bearing Cup                        |
| 5    | 031-031-02 | L44649 Outer Bearing Cone                       |
| 6    | 006-176-00 | Spindle Nut                                     |
| 7    | 019-002-00 | Cotter Pin                                      |
| 8    | 021-003-00 | Grease Cap                                      |
| 8A   | 021-041-01 | Grease Cap for E-Z Lube®                        |
| 8B   | 085-001-00 | Rubber Plug for E-Z Lube®                       |
| 9    | 005-023-00 | Spindle Washer                                  |
| 28   | 006-191-00 | Special Jam Nut for E-Z Lube® (after 2002)      |
| 29   | 006-190-00 | Spindle Nut Retainer for E-Z Lube® (after 2002) |

## 10" x 1½" Brakes

| Item | Part No.              | Description         |
|------|-----------------------|---------------------|
| 20   | K23-472-00/K23-473-00 | LH/RH Electric      |
| 20   | K23-476-00/K23-477-00 | LH/RH Nev-R-Adjust® |

Note: Spindle is not available for resale.

## Hubs

| Item                  | Part No.   | Description | Bolt Circle |
|-----------------------|------------|-------------|-------------|
| <b>Hubs and Drums</b> |            |             |             |
| 24                    | 008-418-02 | ½" Stud     | 5 on 4.50   |

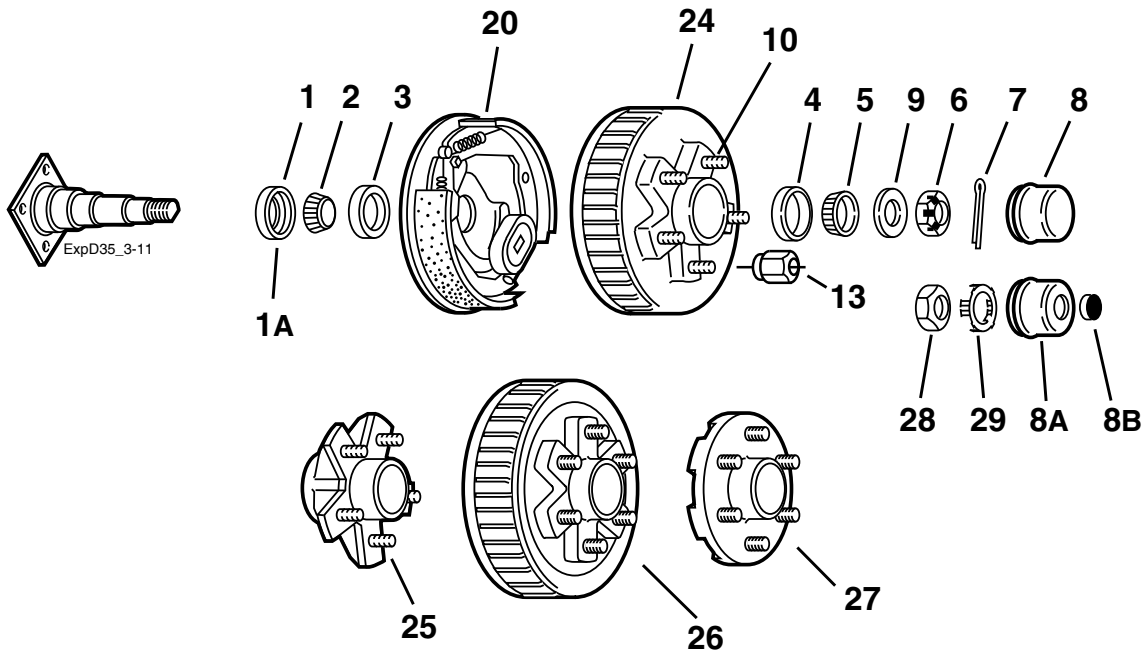
## Studs & Wheel Nuts

| Item | Part No.   | Description             |
|------|------------|-------------------------|
| 10   | 007-185-00 | ½-20 Pressed Wheel Stud |
| 13   | 006-080-00 | ½-20 60° Cone Nut       |

# D35, #10L 545 and Other Hub Group



**2300 - 3500 LBS. CAPACITY**



## Grease Lube Parts

| Item | Part No.   | Description                                     |
|------|------------|---|
| 1    | 010-004-00 | Grease Seal                                     |
| 1A   | 010-019-00 | Grease Seal for E-Z Lube®                       |
| 2    | 031-033-02 | L68149 Inner Bearing Cone                       |
| 3    | 031-033-01 | L68111 Inner Bearing Cup                        |
| 4    | 031-031-01 | L44610 Outer Bearing Cup                        |
| 5    | 031-031-02 | L44649 Outer Bearing Cone                       |
| 6    | 006-176-00 | Spindle Nut                                     |
| 7    | 019-002-00 | Cotter Pin                                      |
| 8    | 021-003-00 | Grease Cap                                      |
| 8A   | 021-041-01 | Grease Cap for E-Z Lube®                        |
| 8B   | 085-001-00 | Rubber Plug for E-Z Lube®                       |
| 9    | 005-023-00 | Spindle Washer                                  |
| 28   | 006-191-00 | Special Jam Nut for E-Z Lube® (after 2002)      |
| 29   | 006-190-00 | Spindle Nut Retainer for E-Z Lube® (after 2002) |

## 10" x 2 1/4" Brakes

| Item | Part No.              | Description                            |
|------|-----------------------|--|
| ns   | K23-468-00/K23-469-00 | LH/RH Electric Nev-R-Adjust®           |
| 20   | K23-026-00/K23-027-00 | LH/RH Electric                         |
| ns   | K23-086-00/K23-087-00 | LH/RH Electric w/park                  |
| ns   | K23-312-00/K23-313-00 | LH/RH Hydraulic Uni-servo              |
| ns   | K23-330-00/K23-331-00 | LH/RH Hydraulic Uni-servo w/park       |
| ns   | K23-310-00/K23-311-00 | LH/RH Hydraulic Duo-servo              |
| ns   | K23-400-00/K23-401-00 | LH/RH Hydraulic Duo-servo w/park       |
| ns   | K23-344-00/K23-345-00 | LH/RH Hydraulic Free Backing           |
| ns   | K23-344-01/K23-345-01 | LH/RH Hydraulic FB Corrosion Resistant |

ns - not shown

Note: Spindle is not available for resale.

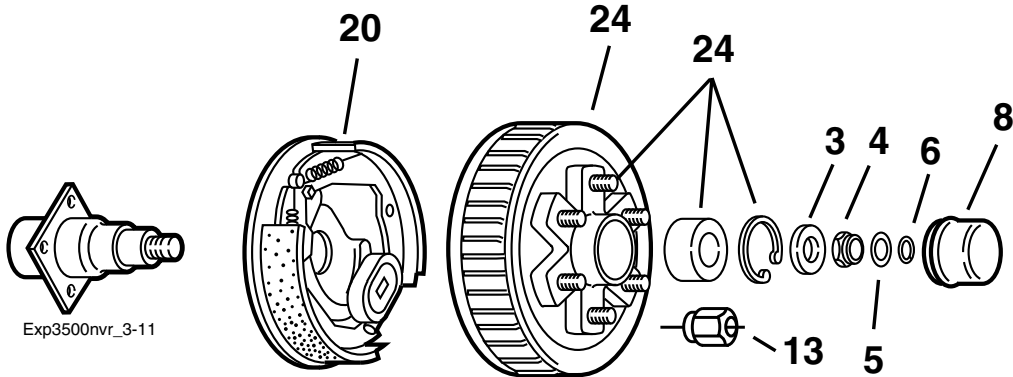
## Hubs

| Item                  | Part No.   | Description | Bolt Circle |
|-----------------------|------------|-------------|-------------|
| <b>Hubs and Drums</b> |            |             |             |
| 24                    | 008-247-05 | 1/2" Stud   | 5 on 4.50   |
| 24                    | 008-249-07 | 1/2" Stud   | 5 on 5.00   |
| 24                    | 008-249-05 | 1/2" Stud   | 5 on 5.50   |
| 24                    | 008-247-12 | 1/2" Stud   | 5 on 4.75   |
| 26                    | 008-250-05 | 1/2" Stud   | 6 on 5.50   |
| <b>Plain Hubs</b>     |            |             |             |
| 25                    | 008-248-05 | 1/2" Stud   | 5 on 4.50   |
| 25                    | 008-248-10 | 1/2" Stud   | 5 on 4.75   |
| 25                    | 008-256-07 | 1/2" Stud   | 5 on 5.00   |
| 25                    | 008-256-05 | 1/2" Stud   | 5 on 5.50   |
| 27                    | 008-251-05 | 1/2" Stud   | 6 on 5.50   |

## Studs & Wheel Nuts

| Item | Part No.   | Description               |
|------|------------|---------------------------|
| 10   | 007-122-00 | 1/2-20 Pressed Wheel Stud |
| 13   | 006-080-00 | 1/2-20 60° Cone Nut       |

# 655 Nev-R-Lube® Hub Group



### Nev-R-Lube® Parts 35MM

| Item | Part No.    | Description          |
|------|-------------|----------------------|
| 3    | 005-150-00  | Spindle Washer       |
| 4    | 006-183-00  | Spindle Nut          |
| 5    | 092-002-00  | Washer, Torque Label |
| 6    | 069-096-00  | Snap Ring            |
| 8    | 021-084-00* | Grease Cap           |

### 10" x 2 1/4" Brakes

| Item | Part No.              | Description                            |
|------|-----------------------|--|
| ns   | K23-468-00/K23-469-00 | LH/RH Electric Nev-R-Adjust®           |
| 20   | K23-026-00/K23-027-00 | LH/RH Electric                         |
| ns   | K23-086-00/K23-087-00 | LH/RH Electric w/park                  |
| ns   | K23-312-00/K23-313-00 | LH/RH Hydraulic Uni-servo              |
| ns   | K23-330-00/K23-331-00 | LH/RH Hydraulic Uni-servo w/park       |
| ns   | K23-310-00/K23-311-00 | LH/RH Hydraulic Duo-servo              |
| ns   | K23-400-00/K23-401-00 | LH/RH Hydraulic Duo-servo w/park       |
| ns   | K23-344-00/K23-345-00 | LH/RH Hydraulic Free Backing           |
| ns   | K23-344-01/K23-345-01 | LH/RH Hydraulic FB Corrosion Resistant |

ns - not shown

Note: Spindle is not available for resale.

### Hubs With Bearing & Wheel Studs

| Item | Part No.    | Description   | Bolt Circle |
|------|-------------|---|-------------|
| 24   | 008-386-80* | Hub and Drum includes:<br>007-185-00 1/2-20 Press-in Stud<br>031-072-03* 35mm Cartridge Bearing<br>069-094-00* Bearing Retainer | 6 on 5.50   |

### Wheel Nuts

| Item | Part No.   | Description         |
|------|------------|---------------------|
| 13   | 006-080-00 | 1/2-20 60° Cone Nut |

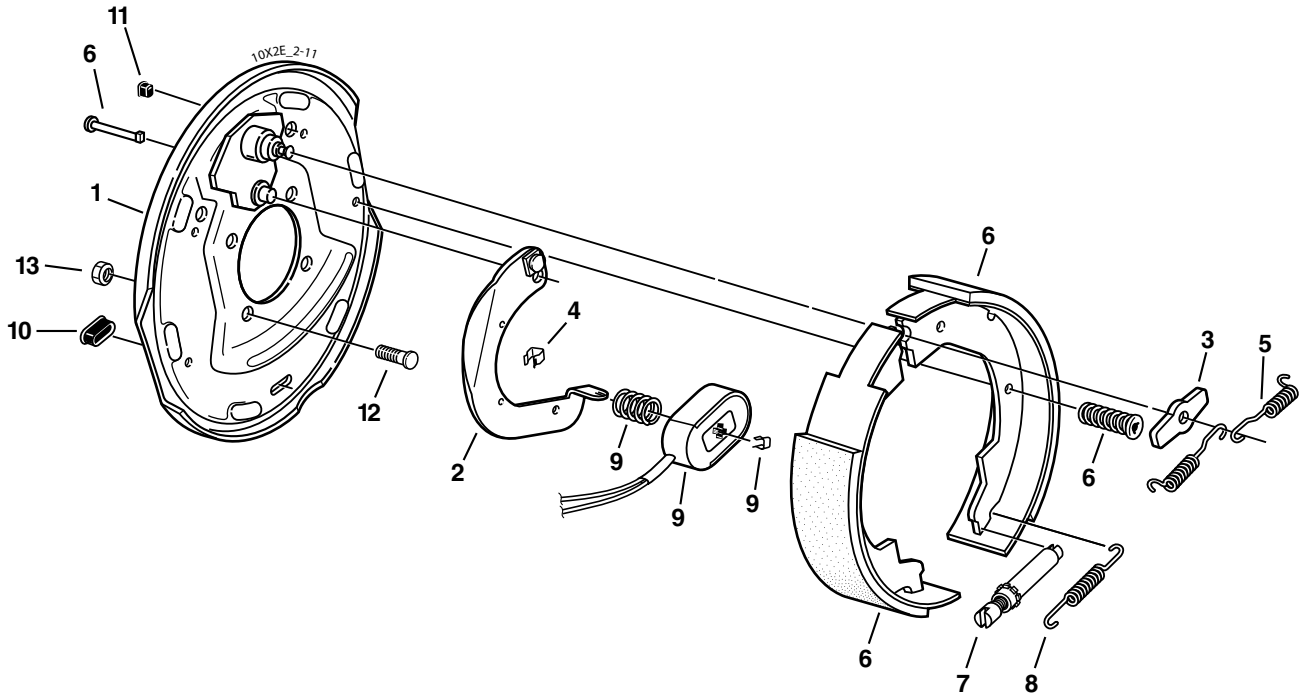
\* Available for service parts only.

# 10" x 1½" Electric Brake



CSA approved at 3000#/12.6 SLR

**2300 - 3500 LBS. CAPACITY**



## Electric Brake

| Item | Part No.   | Qty/Brk | Description  |
|------|------------|---------|--|
| 0    | K23-472-00 | 1       | LH Complete Brake Assembly (shown)   |
| 0    | K23-473-00 | 1       | RH Complete Brake Assembly   |
| 1    | 036-134-03 | 1       | Backing Plate Assembly   |
| 2    | 047-019-05 | 1       | LH Actuating Lever Arm   |
| 2    | 047-020-05 | 1       | RH Actuating Lever Arm   |
| 3    | 005-067-00 | 1       | Washer   |
| 4    | 027-005-00 | 2       | Wire Clip  |
| 5    | 046-009-00 | 2       | Retractor Spring   |
| 6    | K71-046-00 | 1       | Shoe & Lining Kit Contains:<br>2 #035-001-00 Shoe Hold Down Cup<br>1 #040-129-00 Primary Shoe & Lining<br>1 #040-130-00 Secondary Shoe & Lining<br>2 #046-006-00 Shoe Hold Down Spring<br>2 #049-009-00 Shoe Hold Down Pin "T" |
| 7    | 043-004-00 | 1       | Adjuster Assembly  |
| 8    | 046-018-00 | 1       | Adjusting Screw Spring   |
| 9    | K71-104-00 | 1       | Magnet Kit Contains:<br>1 #042-140-00 Magnet (green wire)<br>1 #027-009-00 Magnet Clip<br>1 #046-080-00 Magnet Spring  |
| 10   | 046-007-00 | 2       | Adjuster Slot Plug   |
| 11   | 046-016-00 | 1       | Wire Grommet   |
| 12   | 007-041-00 | 4       | Brake Mounting Bolt - Press-in   |
| *13  | 006-017-00 | 4       | Brake Mounting Nut   |

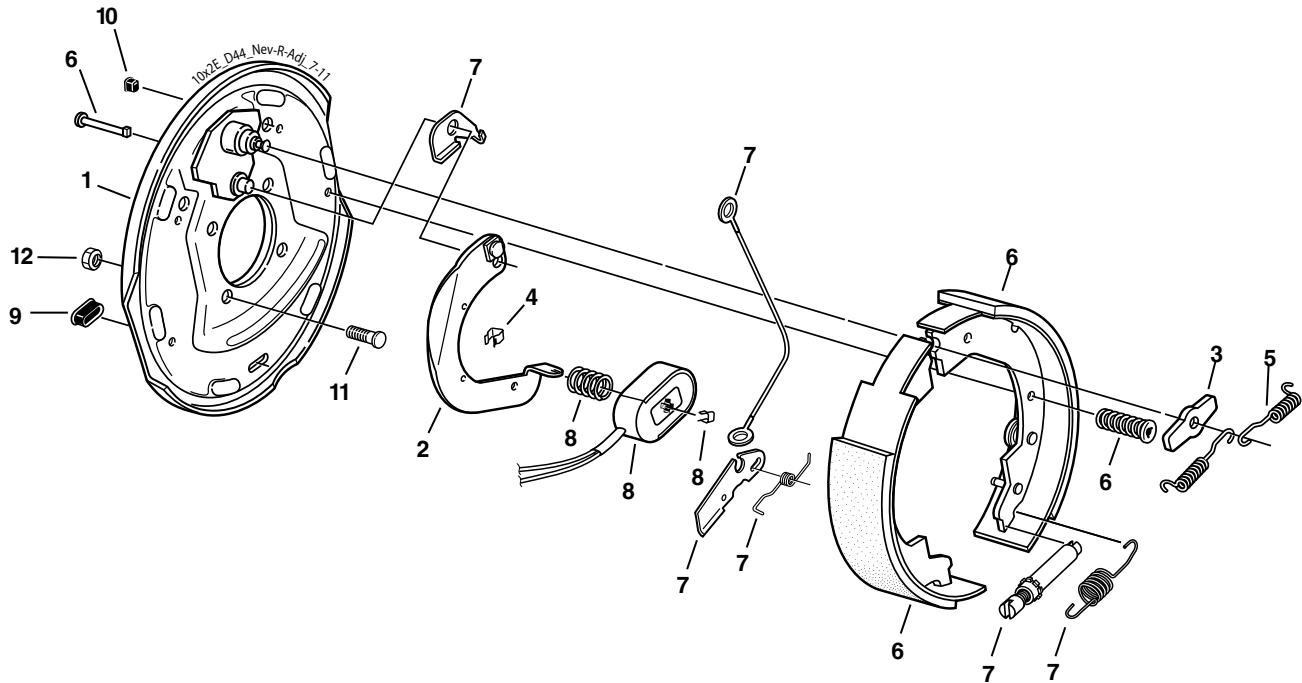
\* Not included with complete brake assembly. Item sold separately.

# 10" x 1½" Nev-R-Adjust® Electric Brake



CSA approved at 3000#/12.6 SLR

**2300 - 3500 LBS. CAPACITY**



## Electric Brake

| Item | Part No.   | Qty/Brk | Description  |
|------|------------|---------|--|
| 0    | K23-476-00 | 1       | LH Complete Brake Assembly (shown)   |
| 0    | K23-477-00 | 1       | RH Complete Brake Assembly   |
| 1    | 036-019-19 | 1       | Backing Plate Assembly   |
| 2    | 047-019-10 | 1       | LH Actuating Lever Arm   |
| 2    | 047-020-10 | 1       | RH Actuating Lever Arm   |
| 3    | 005-067-00 | 1       | Washer   |
| 4    | 027-005-00 | 2       | Wire Clip  |
| 5    | 046-009-00 | 2       | Retractor Spring   |
| 6    | K71-701-00 | 1       | LH Shoe & Lining Kit Contains:<br>1 #040-129-00 Primary Shoe & Lining<br>1 #040-375-00 Secondary Shoe & Lining<br>2 #049-009-00 Shoe Hold Down Pin T<br>2 #046-006-00 Shoe Hold Down Spring  |
| 6    | K71-702-00 | 1       | RH Shoe & Lining Kit Contains:<br>1 #040-129-00 Primary Shoe & Lining<br>1 #040-376-00 Secondary Shoe & Lining<br>2 #049-009-00 Shoe Hold Down Pin T<br>2 #035-001-00 Shoe Hold Down Spring & Cup  |
| 7    | K71-703-00 | 1       | LH & RH Brake Adjuster Kit Contains:<br>2 #046-139-00 Adjusting Screw Spring<br>1 #046-140-00 LH Lever Spring<br>1 #046-141-00 RH Lever Spring<br>1 #048-022-00 LH Adjuster Assembly<br>1 #048-023-00 RH Adjuster Assembly<br>2 #071-529-00 Hook for Cable<br>1 #071-532-01 LH Adjusting Lever<br>1 #071-532-02 RH Adjusting Lever<br>2 #071-533-00 Adjuster Cable<br>1 #071-655-01 LH Cable Lever<br>1 #071-655-02 RH Cable Lever<br>2 #071-656-00 Adjuster Cable |
| 8    | K71-104-00 | 1       | Magnet Kit Contains:<br>1 #042-140-00 Magnet (green wire)<br>1 #027-009-00 Magnet Clip<br>1 #046-080-00 Magnet Spring  |
| 9    | 046-007-00 | 2       | Adjuster Slot Plug   |
| 10   | 046-016-00 | 1       | Wire Grommet   |
| 11   | 007-041-00 | 4       | Brake Mounting Bolt - Press-in   |
| *12  | 006-017-00 | 4       | Brake Mounting Nut   |

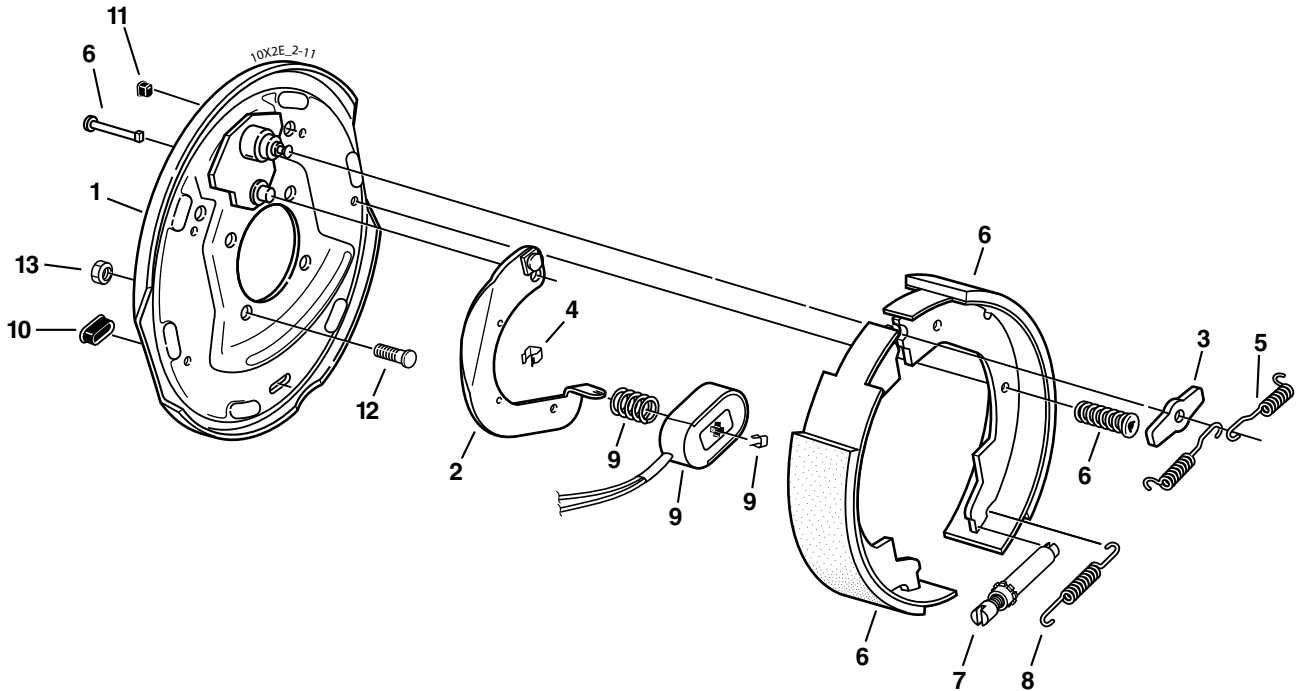
\* Not included with complete brake assembly. Item sold separately.

# 10" x 2¼" Electric Brake



CSA approved at 3500#/13.3 SLR

**2300 - 3500 LBS. CAPACITY**



## Electric Brake

| Item | Part No.   | Qty/Brk | Description   |
|------|------------|---------|---|
| 0    | K23-026-00 | 1       | LH Complete Brake Assembly (shown)  |
| 0    | K23-027-00 | 1       | RH Complete Brake Assembly  |
| 1    | 036-019-10 | 1       | Backing Plate Assembly  |
| 2    | 047-019-05 | 1       | LH Actuating Lever Arm  |
| 2    | 047-020-05 | 1       | RH Actuating Lever Arm  |
| 3    | 005-067-00 | 1       | Washer  |
| 4    | 027-005-00 | 2       | Wire Clip   |
| 5    | 046-009-00 | 2       | Retractor Spring  |
| 6    | K71-047-00 | 1       | Shoe & Lining Kit Contains:<br>1 #040-017-00 Primary Shoe & Lining<br>1 #040-021-00 Secondary Shoe & Lining<br>2 #049-002-00 Shoe Hold Down Pin #8<br>2 #046-077-00 Shoe Hold Down Spring & Cup |
| 7    | 043-004-00 | 1       | Adjuster Assembly   |
| 8    | 046-018-00 | 1       | Adjusting Screw Spring  |
| 9    | K71-104-00 | 1       | Magnet Kit Contains:<br>1 #042-140-00 Magnet (green wire)<br>1 #027-009-00 Magnet Clip<br>1 #046-080-00 Magnet Spring   |
| 10   | 046-007-00 | 2       | Adjuster Slot Plug  |
| 11   | 046-016-00 | 1       | Wire Grommet  |
| 12   | 007-041-00 | 4       | Brake Mounting Bolt - Press-in  |
| *13  | 006-017-00 | 4       | Brake Mounting Nut  |

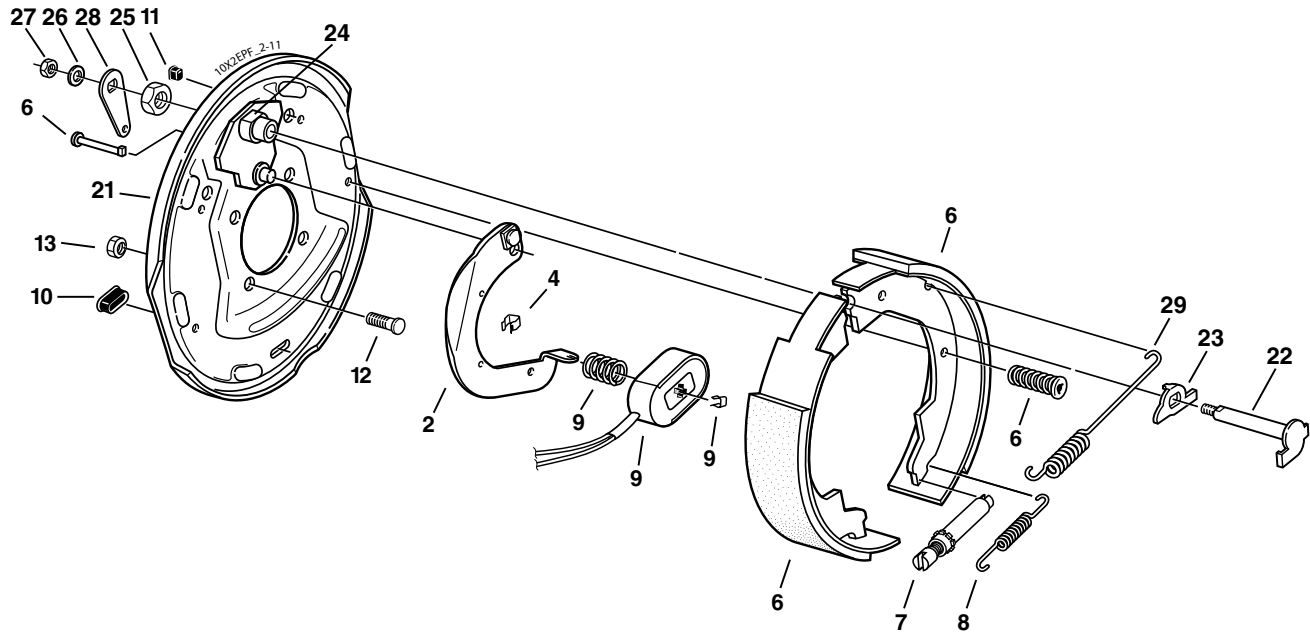
\* Not included with complete brake assembly. Item sold separately.

# 10" x 2¼" Electric Brake With Parking Feature



CSA approved at 3500#/13.3 SLR

**2300 - 3500 LBS. CAPACITY**



## Electric Parking Brake

| Item | Part No.   | Qty/Brk | Description   |
|------|------------|---------|---|
| 0    | K23-086-00 | 1       | LH Complete Brake Assembly (shown)  |
| 0    | K23-087-00 | 1       | RH Complete Brake Assembly  |
| 2    | 047-019-05 | 1       | LH Actuating Lever Arm  |
| 2    | 047-020-05 | 1       | RH Actuating Lever Arm  |
| 4    | 027-005-00 | 3       | Wire Clip   |
| 6    | K71-047-00 | 1       | Shoe & Lining Kit Contains:<br>1 #040-017-00 Primary Shoe & Lining<br>1 #040-021-00 Secondary Shoe & Lining<br>2 #049-002-00 Shoe Hold Down Pin #8<br>2 #046-077-00 Shoe Hold Down Spring & Cup |
| 7    | 043-004-00 | 1       | Adjuster Assembly   |
| 8    | 046-018-00 | 1       | Adjusting Screw Spring  |
| 9    | K71-104-00 | 1       | Magnet Kit Contains:<br>1 #042-140-00 Magnet (green wire)<br>1 #027-009-00 Magnet Clip<br>1 #046-080-00 Magnet Spring   |
| 10   | 046-007-00 | 2       | Adjuster Slot Plug  |
| 11   | 046-016-00 | 1       | Wire Grommet  |
| 12   | 007-041-00 | 4       | Brake Mounting Bolt - Press-in  |
| *13  | 006-017-00 | 4       | Brake Mounting Nut  |
| 21   | 036-019-07 | 1       | LH Backing Plate Assembly (includes items #12, 22-28)   |
| 21   | 036-019-08 | 1       | RH Backing Plate Assembly (includes items #12, 22-28)   |
| 22   | 039-025-00 | 1       | LH Pivot Pin & Cam Sub-Assembly   |
| 22   | 039-026-00 | 1       | LH Pivot Pin & Cam Sub-Assembly   |
| 23   | 039-048-00 | 1       | LH Actuating Cam  |
| 23   | 039-049-00 | 1       | RH Actuating Cam  |
| 24   | 038-047-00 | 1       | Anchor Post & Bushing Assembly  |
| 25   | 006-047-00 | 1       | Anchor Post Locknut   |
| 26   | 005-041-00 | 1       | Washer  |
| 27   | 006-011-00 | 1       | Pivot Pin Locknut   |
| 28   | 047-070-00 | 1       | Actuating Lever   |
| 29   | 046-056-00 | 1       | Retractor Spring  |

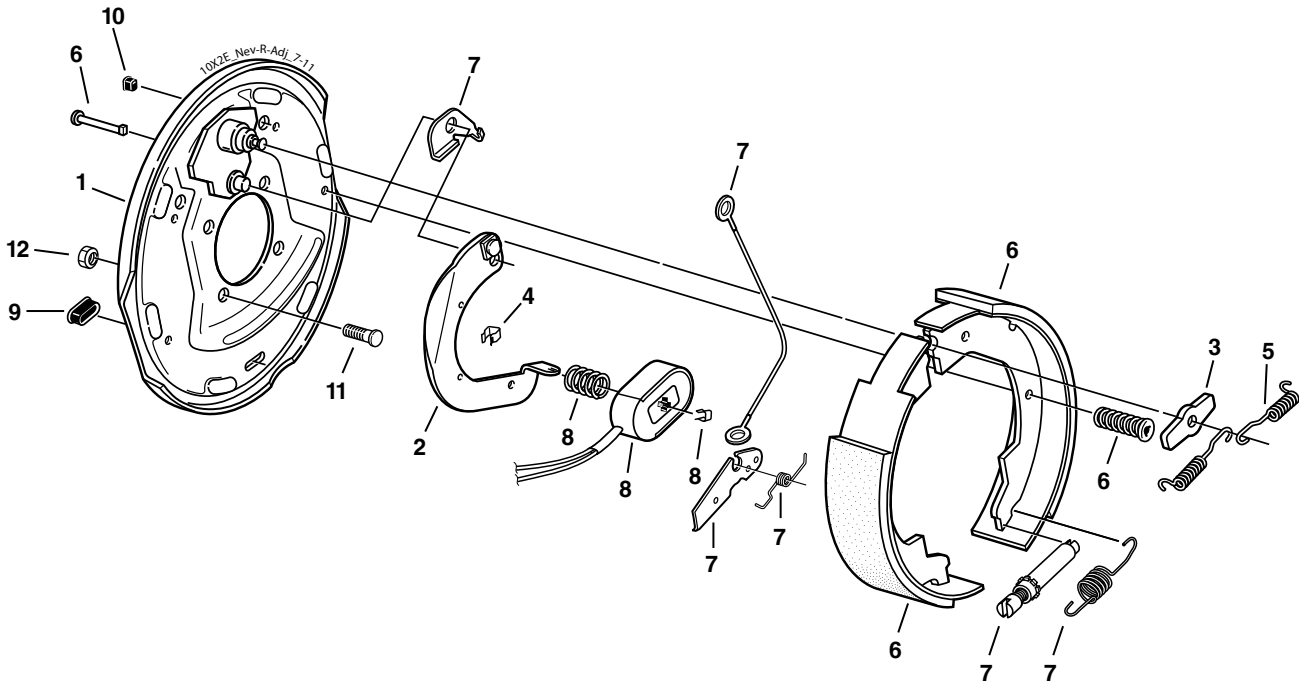
\* Not included with complete brake assembly. Item sold separately.

# 10" x 2¼" Nev-R-Adjust® Electric Brake



CSA approved at 3500#/13.3 SLR

**2300 - 3500 LBS. CAPACITY**



## Electric Brake

| Item | Part No.   | Qty/Brk | Description  |
|------|------------|---------|--|
| 0    | K23-468-00 | 1       | LH Complete Brake Assembly (shown)   |
| 0    | K23-469-00 | 1       | RH Complete Brake Assembly   |
| 1    | 036-019-10 | 1       | Backing Plate Assembly   |
| 2    | 047-019-10 | 1       | LH Actuating Lever Arm   |
| 2    | 047-020-10 | 1       | RH Actuating Lever Arm   |
| 3    | 005-067-00 | 1       | Washer   |
| 4    | 027-005-00 | 2       | Wire Clip  |
| 5    | 046-009-00 | 2       | Retractor Spring   |
| 6    | K71-681-00 | 1       | LH Shoe & Lining Kit Contains:<br>1 #040-367-00 Primary Shoe & Lining<br>1 #040-368-01 Secondary Shoe & Lining<br>2 #049-002-00 Shoe Hold Down Pin #8<br>2 #046-077-00 Shoe Hold Down Spring & Cup   |
| 6    | K71-682-00 | 1       | RH Shoe & Lining Kit Contains:<br>1 #040-367-00 Primary Shoe & Lining<br>1 #040-368-02 Secondary Shoe & Lining<br>2 #049-002-00 Shoe Hold Down Pin #8<br>2 #046-077-00 Shoe Hold Down Spring & Cup   |
| 7    | K71-703-00 | 1       | LH & RH Brake Adjuster Kit Contains:<br>2 #046-139-00 Adjusting Screw Spring<br>1 #046-140-00 LH Lever Spring<br>1 #046-141-00 RH Lever Spring<br>1 #048-022-00 LH Adjuster Assembly<br>1 #048-023-00 RH Adjuster Assembly<br>2 #071-529-00 Hook for Cable<br>1 #071-532-01 LH Adjusting Lever<br>1 #071-532-02 RH Adjusting Lever<br>2 #071-533-00 Adjuster Cable<br>1 #071-655-01 LH Cable Lever<br>1 #071-655-02 RH Cable Lever<br>2 #071-656-00 Adjuster Cable |
| 8    | K71-104-00 | 1       | Magnet Kit Contains:<br>1 #042-140-00 Magnet (green wire)<br>1 #027-009-00 Magnet Clip<br>1 #046-080-00 Magnet Spring  |
| 9    | 046-007-00 | 2       | Adjuster Slot Plug   |
| 10   | 046-016-00 | 1       | Wire Grommet   |
| 11   | 007-041-00 | 4       | Brake Mounting Bolt - Press-in   |
| *12  | 006-017-00 | 4       | Brake Mounting Nut   |

\* Not included with complete brake assembly. Item sold separately.

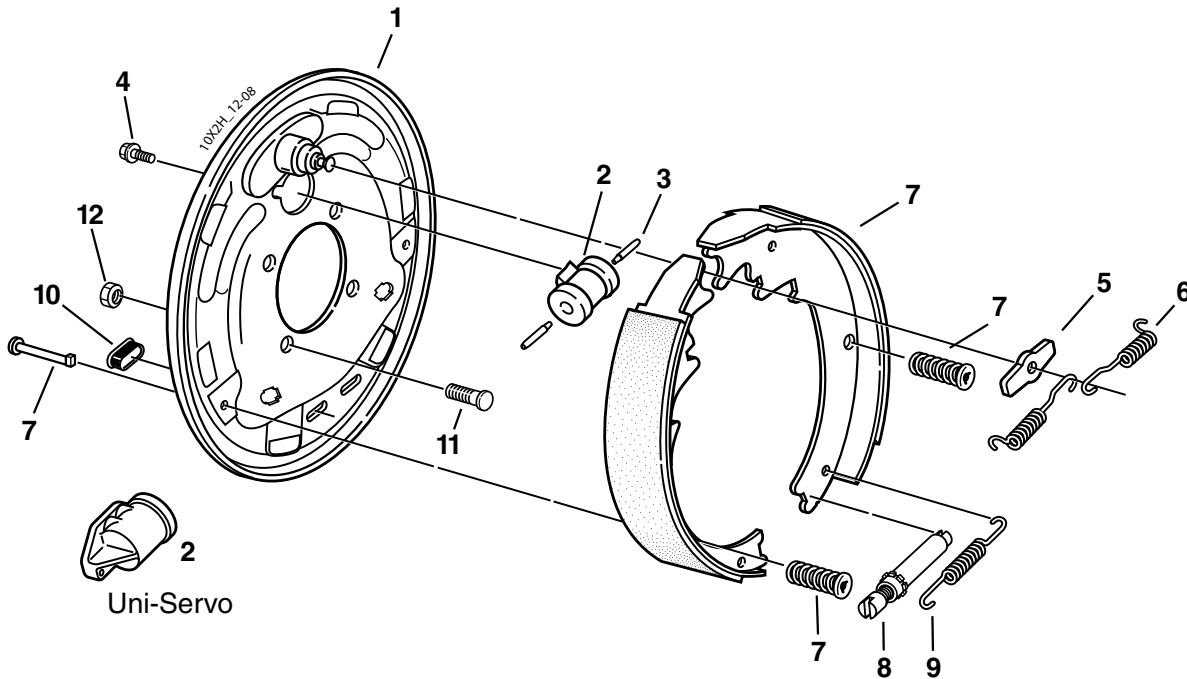


# 10" x 2¼" Hydraulic Brake



CSA approved at 3500#/14.0 SLR; Uni-Servo

**2300 - 3500 LBS. CAPACITY**



**Note:** Uni-Servo brakes to be used with surge actuator

## Hydraulic Brake

| Item | Part No.   | Qty/Brk | Description   |
|------|------------|---------|---|
| 0    | K23-310-00 | 1       | LH Complete Brake Assembly-DS   |
| 0    | K23-311-00 | 1       | RH Complete Brake Assembly-DS   |
| 0    | K23-312-00 | 1       | LH Complete Brake Assembly-US   |
| 0    | K23-313-00 | 1       | RH Complete Brake Assembly-US (shown)   |
| 1    | 036-094-03 | 1       | Backing Plate Assembly (includes item #11)  |
| 2    | 054-062-00 | 1       | LH Brake Cylinder Duo-Servo   |
| 2    | 054-063-00 | 1       | RH Brake Cylinder Duo-Servo   |
| 2    | 054-064-00 | 1       | LH Brake Cylinder Uni-Servo   |
| 2    | 054-065-00 | 1       | RH Brake Cylinder Uni-Servo   |
| 3    | 054-060-00 | 1 or 2  | Cylinder Push Rod US (1) DS (2)   |
| 4    | 087-001-00 | 2       | Sems (screw & washer assembly)  |
| 5    | 005-113-00 | 1       | Anchor Post Washer  |
| 6    | 046-009-00 | 2       | Retractor Spring  |
| 7    | K71-267-00 | 1       | Shoe & Lining Kit Contains:<br>1 #040-210-00 Primary Shoe & Lining<br>1 #040-211-00 Secondary Shoe & Lining<br>2 #046-077-00 Shoe Hold Down Spring & Cup<br>2 #049-002-00 Shoe Hold Down Pin #8 |
| 8    | 043-004-00 | 1       | Adjuster Assembly   |
| 9    | 046-018-00 | 1       | Adjusting Screw Spring  |
| 10   | 046-007-00 | 1       | Adjuster Slot Plug  |
| 11   | 007-041-00 | 4       | Brake Mounting Bolt - Press-in  |
| *12  | 006-017-00 | 4       | Brake Mounting Nut  |
| ns   | 054-089-00 | 1       | Bleeder Screw (included with item #2)   |

ns - not shown

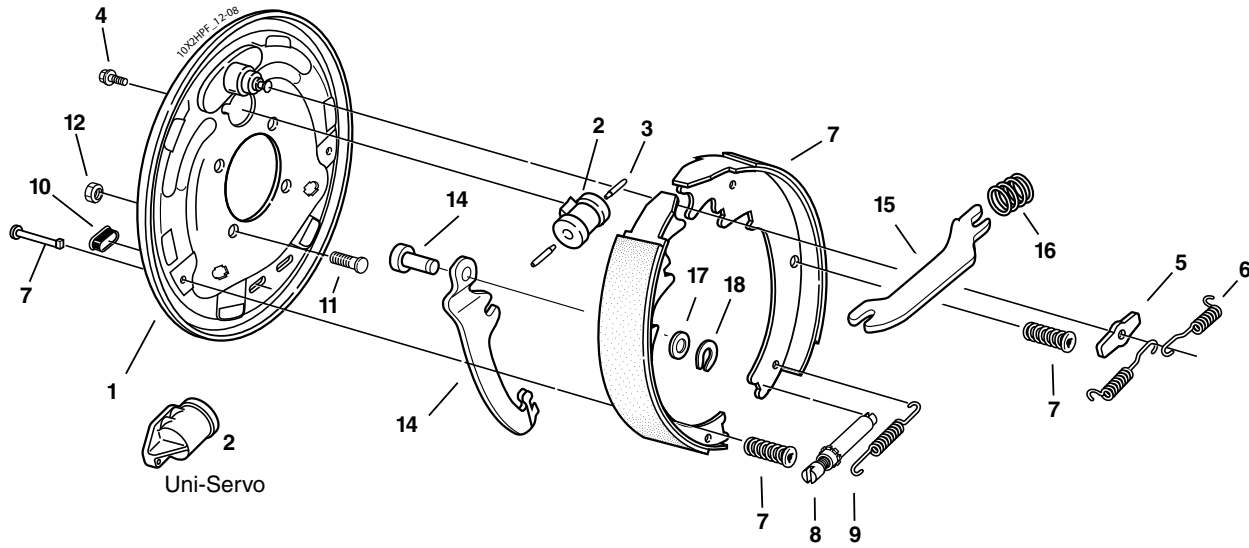
\* Not included with complete brake assembly. Item sold separately.

# 10" x 2¼" Hydraulic Brake With Parking Feature



CSA approved at 3500#/14.0 SLR; Uni-Servo

**2300 - 3500 LBS. CAPACITY**



**Note:** Uni-Servo brakes to be used with surge actuator

## Hydraulic Parking Brake

| Item | Part No.   | Qty/Brk | Description   |
|------|------------|---------|---|
| 0    | K23-330-00 | 1       | LH Complete Brake Assembly-w/park-US  |
| 0    | K23-331-00 | 1       | RH Complete Brake Assembly-w/park-US (shown)  |
| 0    | K23-400-00 | 1       | LH Complete Brake Assembly-w/park-DS  |
| 0    | K23-401-00 | 1       | RH Complete Brake Assembly-w/park-DS (shown)  |
| 1    | 036-094-03 | 1       | Backing Plate Assembly (includes item #11)  |
| 2    | 054-064-00 | 1       | LH Brake Cylinder Uni-Servo   |
| 2    | 054-065-00 | 1       | RH Brake Cylinder Uni-Servo   |
| 2    | 054-062-00 | 1       | LH Brake Cylinder Duo-Servo   |
| 2    | 054-063-00 | 1       | RH Brake Cylinder Duo-Servo   |
| 3    | 054-060-00 | 1 or 2  | Cylinder Push Rod US (1) DS (2)   |
| 4    | 087-001-00 | 2       | Sems (screw & washer assembly)  |
| 5    | 005-113-00 | 1       | Anchor Post Washer  |
| 6    | 046-009-00 | 2       | Retractor Spring  |
| 7    | K71-267-00 | 1       | Shoe & Lining Kit Contains:<br>1 #040-210-00 Primary Shoe & Lining<br>1 #040-211-00 Secondary Shoe & Lining<br>2 #046-077-00 Shoe Hold Down Spring & Cup<br>2 #049-002-00 Shoe Hold Down Pin #8 |
| 8    | 043-004-00 | 1       | Adjuster Assembly   |
| 9    | 046-018-00 | 1       | Adjusting Screw Spring  |
| 10   | 046-007-00 | 1       | Adjuster Slot Plug  |
| 11   | 007-041-00 | 4       | Brake Mounting Bolt - Press-in  |
| *12  | 006-017-00 | 4       | Brake Mounting Nut  |
| 14   | 047-116-01 | 1       | LH Parking Lever & Pin Assembly   |
| 14   | 047-117-01 | 1       | RH Parking Lever & Pin Assembly   |
| 15   | 047-118-00 | 1       | Parking Strut   |
| 16   | 046-103-00 | 1       | Parking Strut Spring  |
| 17   | 005-112-00 | 1       | Spring Tension Washer   |
| 18   | 069-055-00 | 1       | Retainer  |
| ns   | 054-089-00 | 1       | Bleeder Screw (included with item #2)   |
| *ns  | 071-514-00 | 1       | Park Brake Cable  |

ns - not shown

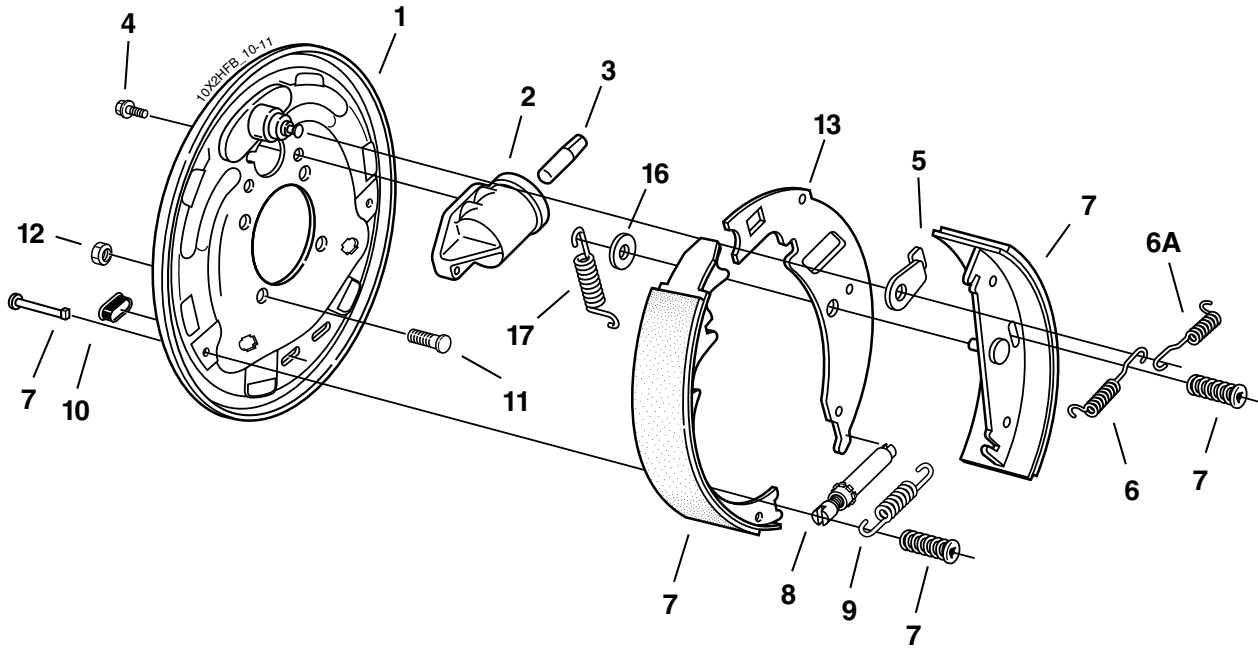
\* Not included with complete brake assembly. Item sold separately.

# 10" x 2¼" Hydraulic Brake Free Backing



CSA approved at 3500#/14.0 SLR; Uni-Servo

**2300 - 3500 LBS. CAPACITY**



**Note:** Uni-Servo brakes to be used with surge actuator

## Hydraulic Free Backing Brake

| Item | Part No.   | Qty/Brk | Description   |
|------|------------|---------|---|
| 0    | K23-344-00 | 1       | LH Complete Brake Assembly-FB   |
| 0    | K23-345-00 | 1       | RH Complete Brake Assembly-FB (shown)   |
| 1    | 036-094-03 | 1       | Backing Plate Assembly (includes item #11)  |
| 2    | 054-064-00 | 1       | LH Brake Cylinder Uni-Servo   |
| 2    | 054-065-00 | 1       | RH Brake Cylinder Uni-Servo   |
| 3    | 054-060-00 | 1       | Cylinder Push Rod   |
| 4    | 087-001-00 | 2       | Sems (screw & washer assembly)  |
| 5    | 037-069-02 | 1       | Travel Link   |
| 6    | 046-009-00 | 2       | Retractor Spring  |
| 6A   | 046-107-01 | 1       | Shoe Lever Return Spring  |
| 7    | K71-393-00 | 1       | Shoe & Lining Kit Contains:<br>1 #040-291-00 Primary Shoe & Lining<br>1 #040-211-00 Secondary Shoe & Lining<br>2 #046-077-00 Shoe Hold Down Spring & Cup<br>2 #049-002-00 Shoe Hold Down Pin #8 |
| 8    | 043-004-00 | 1       | Adjuster Assembly   |
| 9    | 046-083-00 | 1       | Adjusting Screw Spring  |
| 10   | 046-007-00 | 1       | Adjuster Slot Plug  |
| 11   | 007-041-00 | 4       | Brake Mounting Bolt - Press-in  |
| *12  | 006-017-00 | 4       | Brake Mounting Nut  |
| 13   | 040-240-02 | 1       | Shoe Lever  |
| 16   | 005-064-00 | 1       | Washer  |
| 17   | 046-108-01 | 1       | Primary Shoe Return   |
| ns   | 054-089-00 | 1       | Bleeder Screw (included with item #2)   |
| *ns  | 071-514-00 | 1       | Park Brake Cable  |

ns - not shown

\* Not included with complete brake assembly. Item sold separately.

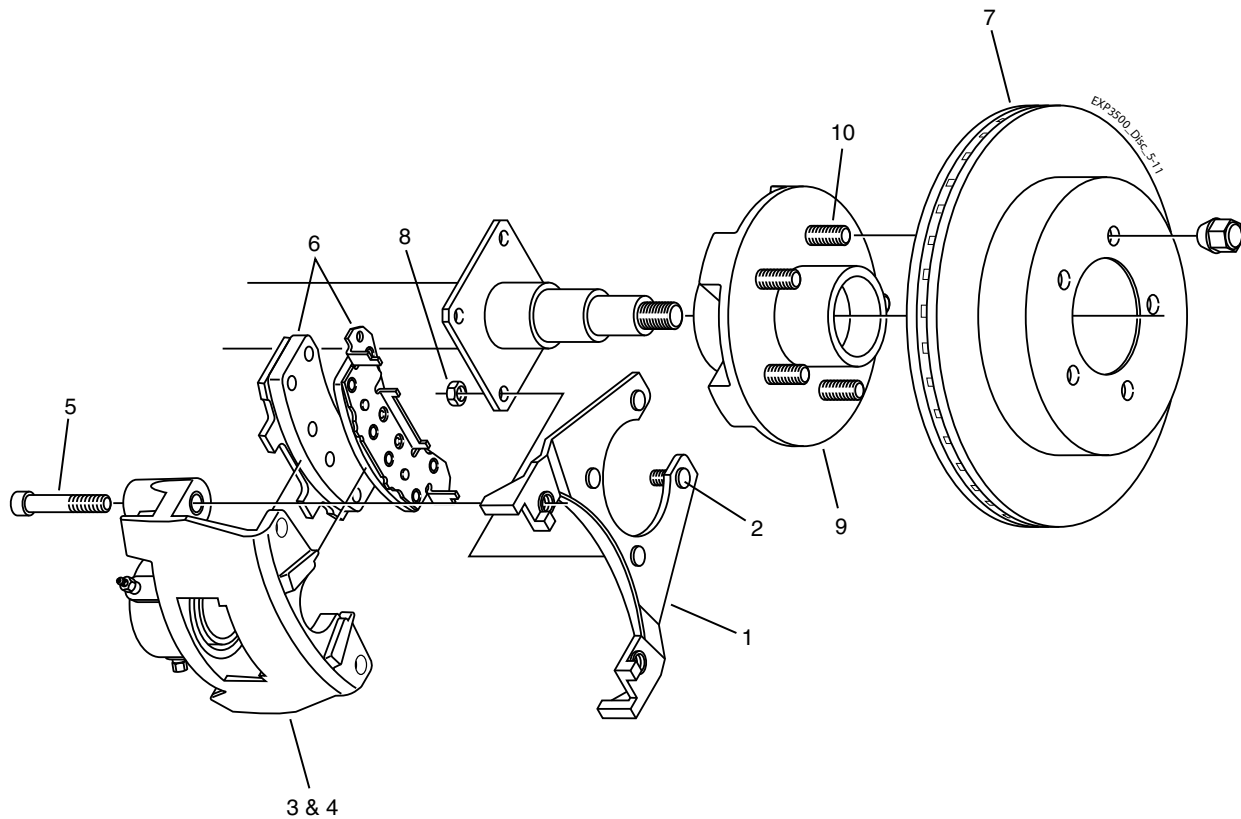
## Hydraulic Free Backing Brake Corrosion Resistant

| Item | Part No.   | Qty/Brk | Description   |
|------|------------|---------|---|
| 0    | K23-344-01 | 1       | LH Complete Brake Assembly-FB   |
| 0    | K23-345-01 | 1       | RH Complete Brake Assembly-FB   |
| 1    | 036-094-04 | 1       | Backing Plate Assembly (includes item #11)  |
| 2    | 054-064-01 | 1       | LH Brake Cylinder Uni-Servo   |
| 2    | 054-065-01 | 1       | RH Brake Cylinder Uni-Servo   |
| 3    | 054-060-00 | 1       | Cylinder Push Rod   |
| 4    | 087-001-00 | 2       | Sems (screw & washer assembly)  |
| 5    | 037-069-02 | 1       | Travel Link   |
| 6    | 046-009-01 | 2       | Retractor Spring  |
| 6A   | 046-107-03 | 1       | Shoe Lever Return Spring  |
| 7    | K71-423-00 | 1       | Shoe & Lining Kit Contains:<br>1 #040-291-00 Primary Shoe & Lining<br>1 #040-211-00 Secondary Shoe & Lining<br>2 #046-077-00 Shoe Hold Down Spring & Cup<br>2 #049-002-00 Shoe Hold Down Pin #8 |
| 8    | 043-004-02 | 1       | Adjuster Assembly   |
| 9    | 046-083-01 | 1       | Adjusting Screw Spring  |
| 10   | 046-007-00 | 1       | Adjuster Slot Plug  |
| 11   | 007-041-00 | 4       | Brake Mounting Bolt - Press-in  |
| *12  | 006-017-00 | 4       | Brake Mounting Nut  |
| 13   | 040-240-02 | 1       | Shoe Lever  |
| 16   | 005-064-00 | 1       | Washer  |
| 17   | 046-108-03 | 1       | Primary Shoe Return Spring  |
| ns   | 054-089-00 | 1       | Bleeder Screw (included with item #2)   |

# Disc Brake for 3,500 Lb. Axles



**2300 - 3500 LBS. CAPACITY**



## Disc Brake 3500#

| Item | Part No.   | Qty/Brk | Description  |
|------|------------|---------|--|
| 1    | 090-004-01 | 1       | Anchor Yoke Assembly (includes item #2)                |
| 2    | 007-041-00 | 4       | Brake Mounting Bolt - Press-in                         |
| 3    | K71-624-00 | 1       | LH Caliper Assembly Kit (includes items #5, 6)         |
| 4    | K71-625-00 | 1       | RH Caliper Assembly Kit (shown) (includes items #5, 6) |
| 5    | 007-256-00 | 2       | Caliper Mounting Bolt                                  |
| 6    | K71-623-00 | 1       | Brake Pad Kit (axle set)                               |
| 7    | K71-626-00 | 1       | Rotor Kit  |
| 8    | 006-017-00 | 4       | Yoke Mounting Nut                                      |
| ns   | 054-097-00 | 1       | Bleed Screw & Adapter (service part only)              |

## Disc Brake Hubs & Studs

| Item | Part No.   | Qty/Brk | Description                               |
|------|------------|---------|---|
| 9    | 008-248-22 | 1       | ½" Stud 5 on 4.50                         |
| 10   | 007-150-00 | 5       | ½-20 x 2.09" Wheel Stud                   |
| ns   | 054-095-00 | 1       | Bleeder Screw (included with items #3, 4) |

ns - not shown



# General Applications

3600 - 6000 LBS. CAPACITY



## Axle Types

### 3600-6000 Lbs. Capacity

- Complete service manual
- Precision machined steel spindles and integral cast iron hub/drums
- Press-in wheel studs
- 10" x 2¼" CSA approved electric brakes
- 12" x 2" CSA approved electric brakes
- 12" x 2" hydraulic brakes
- Electric and hydraulic brakes are available with and without parking feature
- Hydraulic free backing brakes are available
- Inner wiring system for easier installation and protection of brake wiring
- Standard grease lubrication; E-Z Lube® or Nev-R-Lube® option



- Totally rubber-cushioned for smooth, quiet, independent ride
- Easy installation with less maintenance
- Less transfer of road shock which insulates cargo from road shocks and vibration
- Rubber cords compounded for maximum dependability and durability
- Load-carrying cross member
- Self-damping action
- Independent wheel suspension system
- 5 year limited warranty on suspension system
- Low profile for maximum road clearance
- Various starting angles to control trailer height
- High and low profile brackets with optional mounting brackets available
- Rubber cushioning eliminates metal-to-metal contact
- Shock absorption provided by the natural hysteresis of rubber
- Single or tandem axle assemblies
- Durable, wear-resistant components

**CAUTION:** Triple axle assemblies are NOT recommended for Torflex® axles.

### D44, D52 & D60 LEAF SPRING



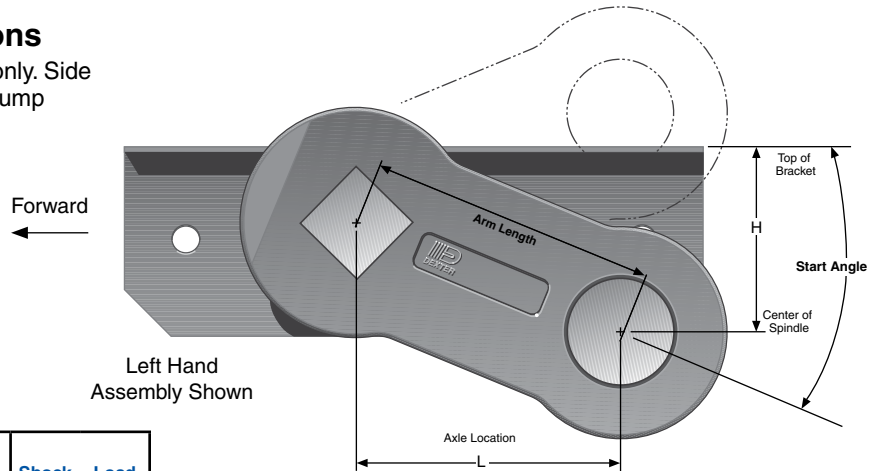
- High strength 3" diameter tube
- Straight or Drop spindles (4" drop only)
- High quality alloy steel springs in a variety of capacities
- Single, tandem, or triple axle assemblies with equalized suspensions
- Slipper spring or double eye leaf spring suspension
- Optional hanger and attaching parts kits available
- Durable, wear-resistant components
- 2 year limited warranty





## Articulation Dimensions

Dimensions are for top mount only. Side mount is .25" higher. Allow 3" bump clearance from full load.



| Start Angle | Bracket Profile | No Load |      | Full Load |      | Shock Load |      |
|-------------|-----------------|---------|------|-----------|------|------------|------|
|             |                 | H       | L    | H         | L    | H          | L    |
| 45° Down    | Low             | 6.01    | 4.24 | 4.06      | 5.54 | 3.06       | 5.86 |
|             | High            | 6.76    | 4.24 | 4.81      | 5.54 | 3.81       | 5.86 |
| 22.5° Down  | Low             | 4.06    | 5.54 | 1.77      | 6.00 | 0.72       | 5.91 |
|             | High            | 4.81    | 5.54 | 2.52      | 6.00 | 1.47       | 5.91 |
| 10° Down    | Low             | 2.81    | 5.91 | 0.47      | 5.86 | -0.53      | 5.54 |
|             | High            | 3.56    | 5.91 | 1.22      | 5.86 | 0.22       | 5.54 |
| 0°          | Low             | 1.77    | 6.00 | -0.53     | 5.54 | -1.46      | 5.06 |
|             | High            | 2.52    | 6.00 | 0.22      | 5.54 | -0.71      | 5.06 |
| 10° Up      | Low             | 0.72    | 5.91 | -1.46     | 5.06 | -2.29      | 4.42 |
|             | High            | 1.47    | 5.91 | -0.71     | 5.06 | -1.54      | 4.42 |
| 22.5° Up    | Low             | -0.53   | 5.54 | -2.48     | 4.24 | -3.15      | 3.44 |
|             | High            | 0.22    | 5.54 | -1.73     | 4.24 | -2.40      | 3.44 |

### #11 Overhang Per Side

| Spindle  | Min.  | Disc.* | Max.   |
|----------|-------|--------|--------|
| Short    | 7.00" | 7.50"  | 10.22" |
| Standard | 7.50" | 7.50"  | 10.22" |

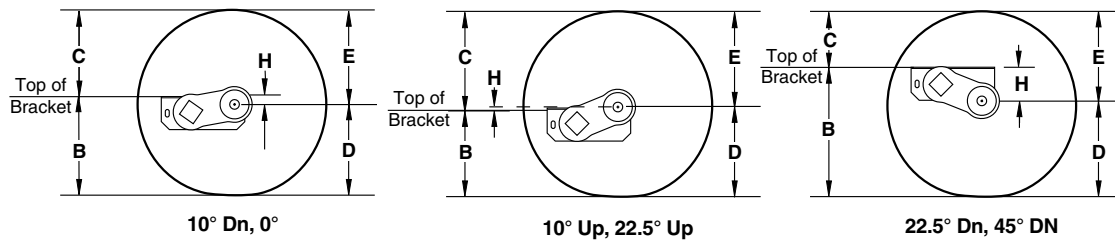
\* Minimum overhang with disc brakes

**Note:** Positive numbers in the H column indicate the spindle is BELOW the top of the bracket. Conversely, negative numbers are ABOVE the top of the bracket.



## Full Load Dimensions

Dimensions are for low profile, top mount only. High profile brackets are .75" higher. Side mount is .25" higher. Allow 3" bump clearance from full load.



### Start Angle

| Tire        | *    | **   | 45° Down |      |      | 22.5° Down |      |      | 10° Down |      |      | 0°   |      |      | 10° Up |      |      | 22.5° Up |      |      |
|-------------|------|------|----------|------|------|------------|------|------|----------|------|------|------|------|------|--------|------|------|----------|------|------|
|             |      |      | D        | E    | H    | B          | C    | H    | B        | C    | H    | B    | C    | H    | B      | C    | H    | B        | C    |      |
| ST225/75R15 | 13.0 | 14.4 | 4.1      | 17.1 | 10.3 | 1.8        | 14.8 | 12.6 | 0.5      | 13.5 | 13.9 | -0.5 | 12.5 | 14.9 | -1.5   | 11.5 | 15.9 | -2.5     | 10.5 | 16.9 |
| LT235/85R16 | 14.3 | 15.4 | 4.1      | 18.4 | 11.3 | 1.8        | 16.1 | 13.6 | 0.5      | 14.8 | 14.9 | -0.5 | 13.8 | 15.9 | -1.5   | 12.8 | 16.9 | -2.5     | 11.8 | 17.9 |
| LT225/75R16 | 13.5 | 14.9 | 4.1      | 17.6 | 10.8 | 1.8        | 15.3 | 13.1 | 0.5      | 14.0 | 14.4 | -0.5 | 13.0 | 15.4 | -1.5   | 12.0 | 16.4 | -2.5     | 11.0 | 17.4 |
| 8.75R16.5LT | 13.8 | 14.8 | 4.1      | 17.9 | 10.7 | 1.8        | 15.6 | 13.0 | 0.5      | 14.3 | 14.3 | -0.5 | 13.3 | 15.3 | -1.5   | 12.3 | 16.3 | -2.5     | 11.3 | 17.3 |

Columns D and E are dimensional examples only:

\* D – Static Loaded Radius

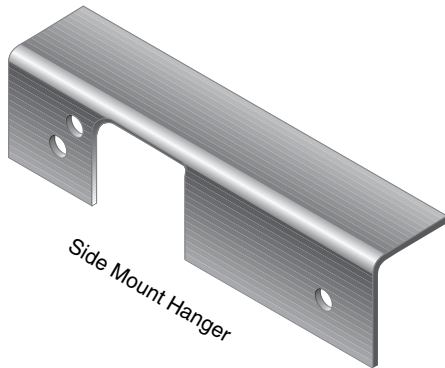
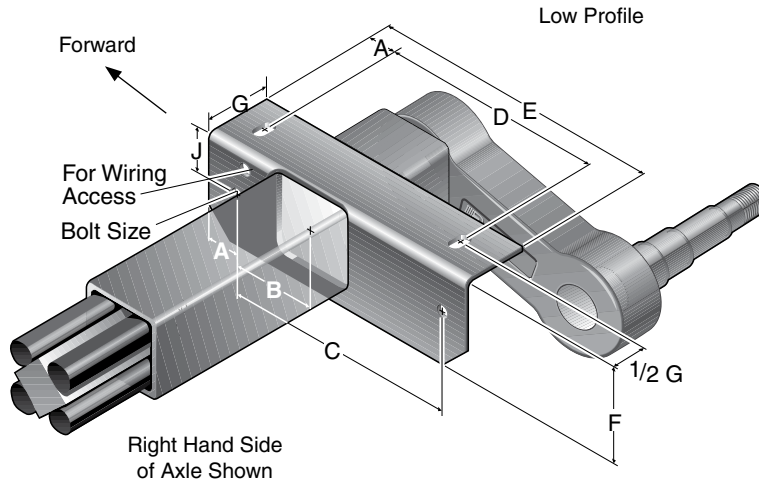
\*\* E – Inflated Radius



**3600 - 6000 LBS. CAPACITY**

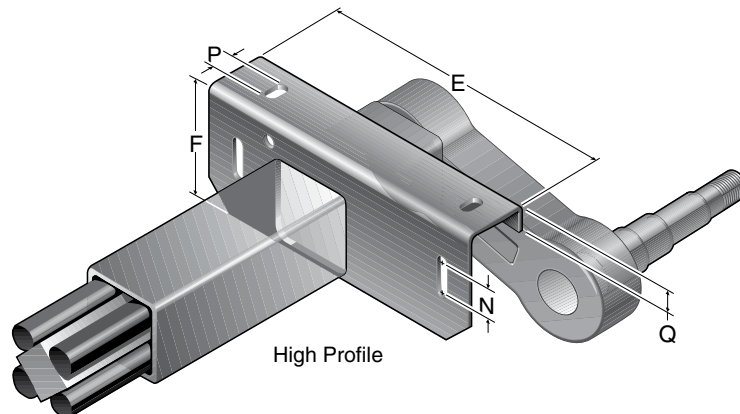


## Bracket Dimensions



**#11 Bracket Dimensions**

|           | Low       | High  |
|-----------|-----------|-------|
| A         | .75       | 1.25  |
| B         | 3.50      | 3.50  |
| C         | 9.50      | 9.50  |
| D         | 9.00      | 9.00  |
| E         | 11.00     | 12.00 |
| F         | 3.91      | 4.66  |
| G         | 2.50      | 2.50  |
| J         | 1.83      | 1.83  |
| N         | ----      | 1.03  |
| P         | ----      | 1.00  |
| Q         | ----      | 1.00  |
| Bolt Size | 5/8" bolt |       |
| Tube Size | 3.03      | 3.03  |



# Leaf Spring Application Information



**3600 - 6000 LBS. CAPACITY**

## Double Eye Springs

For Standard 33" Axle Spacing  
 Single A/P-122-00  
 Tandem A/P-233-00  
 Triple A/P-335-00

|   | Spring Length |       |       |
|---|---------------|-------|-------|
|   | 21"           | 24"   | 26"   |
| A | 19.62         | 23.50 | 25.75 |
| B | 25.00         | 27.50 | 29.50 |
| C | 28.75         | 31.00 | 33.00 |
| D | 10.62         | 12.00 | 13.00 |
| E | 28.75         | 31.00 | 33.00 |

For Optional 35" Axle Spacing  
 Tandem A/P-264-00  
 Triple A/P-364-00

|   | Spring Length |       |       |
|---|---------------|-------|-------|
|   | 21"           | 24"   | 26"   |
| B | 26.00         | 28.50 | 30.50 |
| C | 30.80         | 33.00 | 35.00 |
| D | 10.62         | 12.00 | 13.00 |
| E | 30.80         | 33.00 | 35.00 |

## D44 Overhang Per Side

|          | Min.  | Max.  |
|----------|-------|-------|
| Straight | 6.00" | 9.50" |

## D52 Overhang Per Side

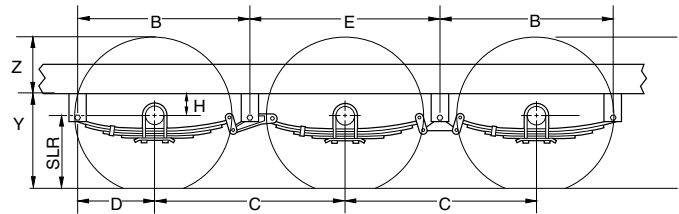
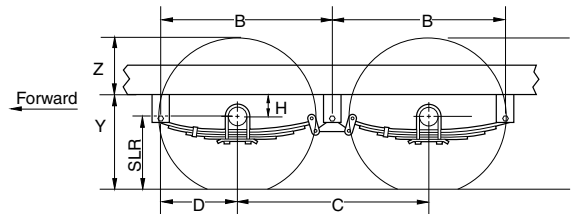
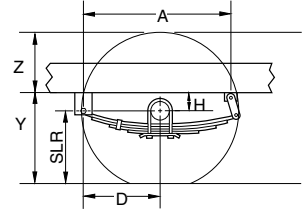
|             | Min.  | Disc.* | Max.  |
|-------------|-------|--------|-------|
| Straight    | 6.63" | 9.00"  | 9.50" |
| 4" Drop     | 7.87" | N/A    | 9.50" |
| Nev-R-Lube® | 6.19" | 9.00"  | 9.50" |

\* Minimum overhang with disc brakes

## D60 Overhang Per Side

|             | Min.  | Disc.* | Max.   |
|-------------|-------|--------|--------|
| Straight    | 6.63" | 9.00"  | 10.00" |
| 4" Drop     | 7.87" | N/A    | 10.00" |
| Nev-R-Lube® | 6.19" | 9.00"  | 10.00" |

\* Minimum overhang with disc brakes



## Double Eye Axle Assemblies

### Hanger Kits

| Part No.   | Description   | Height | Quantity Per Kit |            |            |            |            |
|------------|---------------|--------|------------------|------------|------------|------------|------------|
|            |               |        | HGR-104-00       | HGR-105-00 | HGR-248-00 | HGR-249-00 | HGR-348-00 |
| 028-005-00 | Hanger        | 3.25"  | 2                | ----       | 4          | 2          | 4          |
| 028-006-00 | Front Hanger  | 1.44"  | ----             | 2          | ----       | ----       | ----       |
| 029-008-00 | Front Hanger  | 2.06"  | ----             | ----       | ----       | 4          | ----       |
| 029-031-00 | Center Hanger | 3.62"  | ----             | ----       | 2          | ----       | 4          |
| 030-020-00 | Rear Hanger   | .91"   | 2                | 2          | ----       | ----       | ----       |

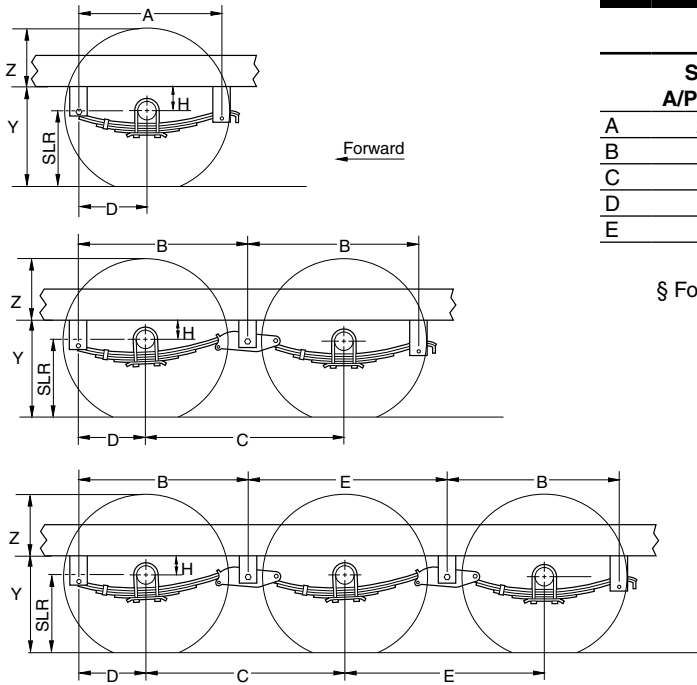
### Attaching Parts Kits

| Part No.   | Description                 | Quantity Per Kit |            |             |            |             |
|------------|-----------------------------|------------------|------------|-------------|------------|-------------|
|            |                             | A/P-122-00       | A/P-233-00 | A/P-264-00† | A/P-335-00 | A/P-364-00† |
| 006-092-01 | Flange Locknut              | 6                | 14         | 14          | 22         | 22          |
| 007-126-00 | Shackle Bolt                | 2                | 6          | 6           | 10         | 10          |
| 013-104-02 | Equalizer                   | ----             | 2          | ----        | 2          | ----        |
| 013-105-02 | Equalizer                   | ----             | ----       | ----        | 2          | ----        |
| 013-122-02 | Equalizer                   | ----             | ----       | 2           | ----       | 2           |
| 013-126-02 | Equalizer                   | ----             | ----       | ----        | ----       | 2           |
| 018-011-00 | Shackle Link                | ----             | 4          | 4           | 6          | 6           |
| 018-012-00 | Shackle Link, Long          | 2                | ----       | ----        | ----       | ----        |
| 018-020-00 | Shackle Link Assembly       | ----             | 4          | 4           | 6          | 6           |
| 018-021-00 | Shackle Link Assembly, Long | 2                | ----       | ----        | ----       | ----        |

† For 35" axle spacing using 26" springs



# Leaf Spring Application Information



| Slipper Springs |            |                         |                         |                         |                         |
|-----------------|------------|-------------------------|-------------------------|-------------------------|-------------------------|
|                 | Single     | Tandem                  |                         | Triple                  |                         |
|                 | A/P-103-00 | A/P-202-00 <sup>§</sup> | A/P-216-00 <sup>‡</sup> | A/P-302-00 <sup>§</sup> | A/P-316-00 <sup>‡</sup> |
| A               | 24.0       | ----                    | ----                    | ----                    | ----                    |
| B               | ----       | 28.8                    | 30.4                    | 28.8                    | 30.4                    |
| C               | ----       | 33.5                    | 36.0                    | 33.5                    | 36.0                    |
| D               | 11.5       | 11.5                    | 11.5                    | 11.5                    | 11.5                    |
| E               | ----       | ----                    | ----                    | 33.0                    | 35.0                    |

**Note:** All 2" wide slipper springs  
<sup>§</sup> For 33.5" axle spacing      <sup>‡</sup> For 36" axle spacing

A, B, E – Hanger Spacing  
 C – Axle Spacing  
 D – Axle Location  
 H – Center of Spindle  
 Y – Frame Height  
 Z – Top of Tire to Bottom of Frame  
 SLR – Static Load Radius

To determine these values, contact your local sales engineer or distributor to run ProSpec™.

## Slipper Spring Axle Assemblies

| Hanger Kits |               |        | Quantity Per Kit |            |            |
|-------------|---------------|--------|------------------|------------|------------|
| Part No.    | Description   | Height | HGR-110-00       | HGR-202-00 | HGR-302-00 |
| 028-001-00  | Front Hanger  | 4.25"  | 2                | 2          | 2          |
| 029-001-00  | Center Hanger | 3.50"  | ----             | 2          | 4          |
| 030-028-00  | Rear Hanger   | 4.00"  | 2                | 2          | 2          |

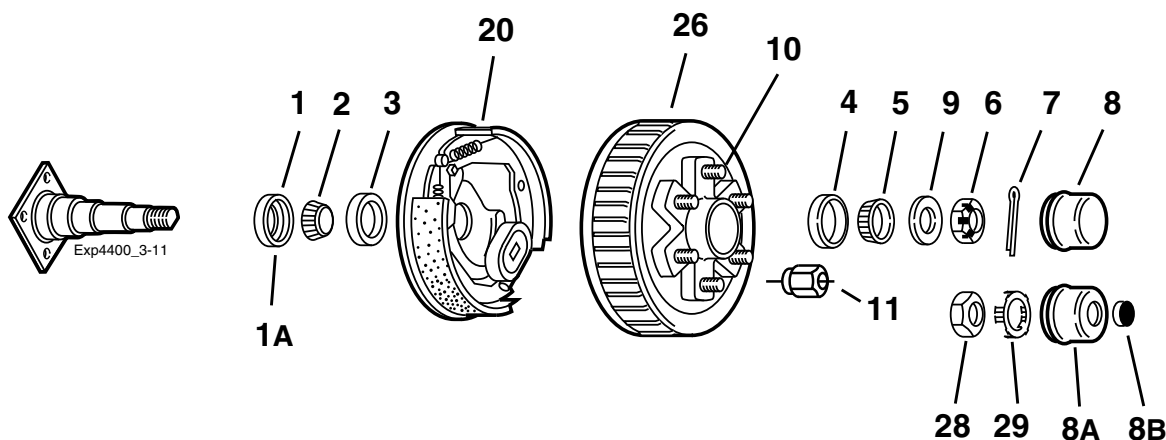
  

| Attaching Parts Kits |                 | A/P-103-00 | A/P-202-00 <sup>§</sup> | A/P-216-00 <sup>‡</sup> | A/P-302-00 <sup>§</sup> | A/P-316-00 <sup>‡</sup> |
|----------------------|-----------------|------------|-------------------------|-------------------------|-------------------------|-------------------------|
| 006-007-01           | 3/16-18 Locknut | 2          | 4                       | 4                       | 6                       | 6                       |
| 006-011-00           | Keeper Nut      | 2          | 4                       | 4                       | 6                       | 6                       |
| 006-111-00           | Equalizer Nut   | ----       | 2                       | 2                       | 4                       | 4                       |
| 007-001-01           | Equalizer Bolt  | ----       | 2                       | 2                       | 4                       | 4                       |
| 007-007-00           | Keeper Bolt     | 2          | 4                       | 4                       | 6                       | 6                       |
| 007-017-00           | Spring Eye Bolt | 2          | 4                       | 4                       | 6                       | 6                       |
| 013-004-00           | Equalizer       | ----       | 2                       | ----                    | 4                       | ----                    |
| 013-044-01           | Equalizer       | ----       | ----                    | 2                       | ----                    | 4                       |

<sup>§</sup> For 33.5" axle spacing

<sup>‡</sup> For 36" axle spacing

Some combinations of hangers and spring mountings may result in insufficient bump clearance. Refer to the Miscellaneous section for additional hanger kits, A/P kits, or other tires.



### Grease Lube Parts

| Item | Part No.   | Description                                     |
|------|------------|---|
| 1    | 010-004-00 | Grease Seal                                     |
| 1A   | 010-019-00 | Grease Seal for E-Z Lube®                       |
| 2    | 031-033-02 | L68149 Inner Bearing Cone                       |
| 3    | 031-033-01 | L68111 Inner Bearing Cup                        |
| 4    | 031-032-01 | LM67010 Outer Bearing Cup                       |
| 5    | 031-032-02 | LM67048 Outer Bearing Cone                      |
| 6    | 006-176-00 | Spindle Nut                                     |
| 7    | 019-002-00 | Cotter Pin (not used with E-Z Lube®)            |
| 8    | 021-001-00 | Grease Cap                                      |
| 8A   | 021-042-01 | Grease Cap for E-Z Lube®                        |
| 8B   | 085-001-00 | Rubber Plug for E-Z Lube®                       |
| 9    | 005-023-00 | Spindle Washer                                  |
| 28   | 006-191-00 | Special Jam Nut for E-Z Lube® (after 2002)      |
| 29   | 006-190-00 | Spindle Nut Retainer for E-Z Lube® (after 2002) |

### 10" x 2¼" Brakes Old Style Before 5/1/09

| Item | Part No.   | Description |
|------|------------|-------------|
| ns   | K23-454-00 | LH Electric |
| ns   | K23-455-00 | RH Electric |

### 10" x 2¼" Brakes New Style After 5/1/09

| Item | Part No.   | Description |
|------|------------|-------------|
| 20   | K23-462-00 | LH Electric |
| 20   | K23-463-00 | RH Electric |

ns - not shown

Note: Spindle is not available for resale.

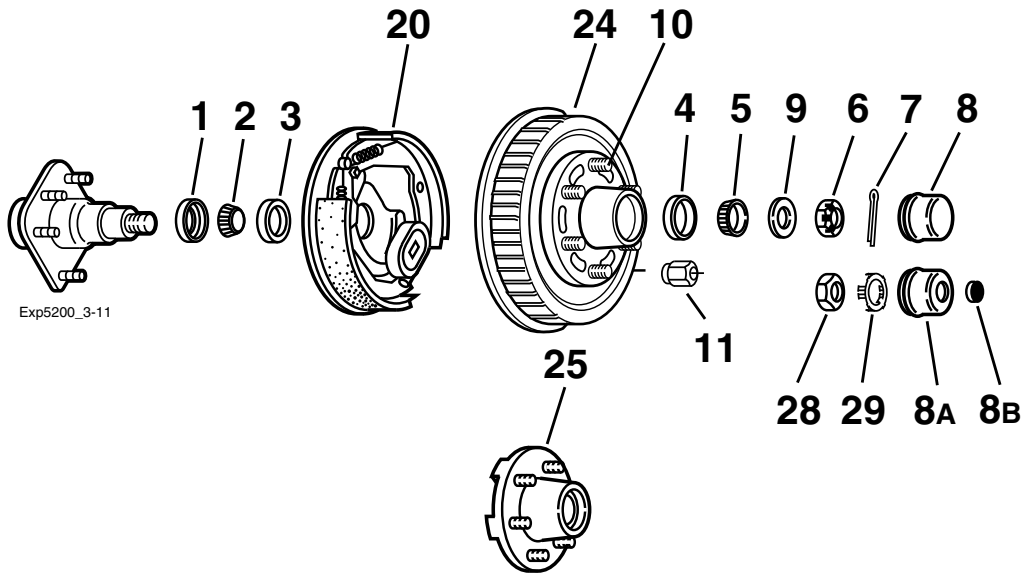
### Hubs

| Item                  | Part No.   | Description | Bolt Circle |
|-----------------------|------------|-------------|-------------|
| <b>Hubs and Drums</b> |            |             |             |
| 26                    | 008-407-05 | ½" Stud     | 6 on 5.50   |

### Studs & Wheel Nuts

| Item | Part No.   | Description             |
|------|------------|-------------------------|
| 10   | 007-122-00 | ½-20 Pressed Wheel Stud |
| 11   | 006-080-00 | ½-20 60° Cone Nut       |

# 655 Hub Group



## Grease Lube Parts

| Item | Part No.   | Description                                     |
|------|------------|---|
| 1    | 010-036-00 | Grease Seal, E-Z Lube® Seal                     |
| 1    | 010-063-00 | Oil Seal  |
| 1    | 010-054-00 | 2.250" Grease Seal                              |
| 2    | 031-030-02 | 25580 Inner Bearing cone                        |
| 3    | 031-030-01 | 25520 Inner Bearing Cup                         |
| 4    | 031-032-01 | LM67010 Outer Bearing Cup (for 5200#)           |
| 5    | 031-032-02 | LM67048 Outer Bearing Cone (for 5200#)          |
| 4    | 031-029-01 | 15245 Outer Bearing Cup (for 6000#)             |
| 5    | 031-029-02 | 15123 Outer Bearing Cone (for 6000#)            |
| 6    | 006-176-00 | Spindle Nut                                     |
| 7    | 019-002-00 | Cotter Pin (not used with E-Z Lube®)            |
| 8    | 021-001-00 | Grease Cap                                      |
| 8A   | 021-042-01 | Grease Cap for E-Z Lube®                        |
| 8B   | 085-001-00 | Rubber Plug for E-Z Lube®                       |
| 9    | 005-023-00 | Spindle Washer                                  |
| 28   | 006-191-00 | Special Jam Nut for E-Z Lube® (after 2002)      |
| 29   | 006-190-00 | Spindle Nut Retainer for E-Z Lube® (after 2002) |

## 12" x 2" Brakes

| Item | Part No.              | Description                                   |
|------|-----------------------|---|
| 20   | K23-105-00/K23-106-00 | LH/RH Electric                                |
| ns   | K23-112-00/K23-113-00 | LH/RH Electric w/park                         |
| ns   | K23-326-00/K23-327-00 | LH/RH Electric 6K CSA                         |
| ns   | K23-328-00/K23-329-00 | LH/RH Electric 6K CSA w/park                  |
| ns   | K23-324-00/K23-325-00 | LH/RH Hydraulic Uni-servo                     |
| ns   | K23-320-00/K23-321-00 | LH/RH Hydraulic Uni-servo w/park              |
| ns   | K23-322-00/K23-323-00 | LH/RH Hydraulic Duo-servo                     |
| ns   | K23-318-00/K23-319-00 | LH/RH Hydraulic Duo-servo w/park              |
| ns   | K23-342-00/K23-343-00 | LH/RH Hydraulic Free Backing                  |
| ns   | K23-340-00/K23-341-00 | LH/RH Hydraulic Free Backing w/park           |
| ns   | K23-342-01/K23-343-01 | LH/RH Hydraulic FB Corrosion Resistant        |
| ns   | K23-340-01/K23-341-01 | LH/RH Hydraulic FB Corrosion Resistant w/park |
| ns   | K23-458-00/K23-459-00 | LH/RH Electric Nev-R-Adjust®                  |
| ns   | K23-466-00/K23-467-00 | LH/RH Electric 6K CSA Nev-R-Adjust®           |

ns - not shown

Note: Spindle is not available for resale.

## Hubs

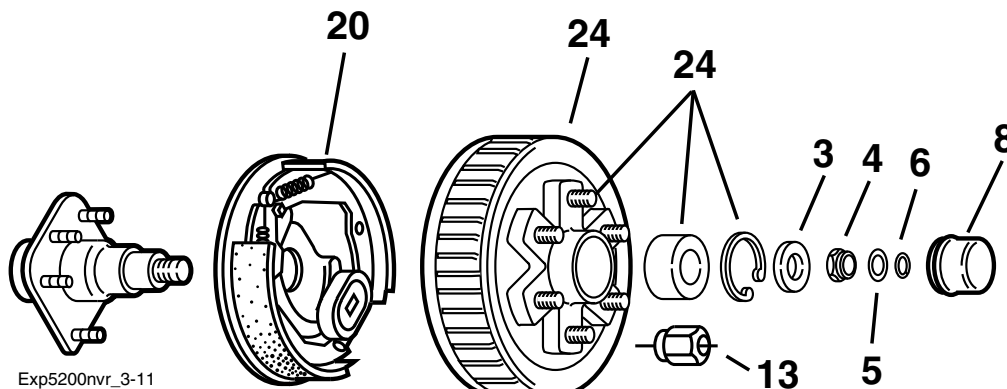
| Item                  | Part No.   | Description                     | Bolt Circle |
|-----------------------|------------|---------------------------------|-------------|
| <b>Hubs and Drums</b> |            |                                 |             |
| 24                    | 008-201-05 | ½" Stud for 5200#               | 6 on 5.50   |
| 24                    | 008-201-09 | ½" Stud 15123 bearing for 6000# | 6 on 5.50   |
| <b>Plain Hubs</b>     |            |                                 |             |
| 25                    | 008-213-05 | ½" Stud for 5200#               | 6 on 5.50   |
| 25                    | 008-213-09 | ½" Stud 15123 bearing for 6000# | 6 on 5.50   |

## Studs & Wheel Nuts

| Item | Part No.   | Description   |
|------|------------|---|
| 10   | 007-122-00 | ½-20 x 1.84 Long Press-in Stud*                       |
| 10   | 007-262-00 | ½-20 x 2.50 Long Press-in Stud* (hub-drum after 1/04) |
| 11   | 006-080-00 | ½-20 60° Cone Nut                                     |

\* Stud length measured under head to end of stud.

8 on 6.5 hubs are available on these axles.  
See section in 5500-7000 lbs. capacity.



Exp5200nvr\_3-11

### Nev-R-Lube® Parts 42MM & 50MM

| Item | Part No.   | Description          |
|------|------------|----------------------|
| 3    | 005-147-01 | Spindle Washer, 42mm |
| 4    | 006-183-00 | Spindle Nut          |
| 5    | 092-002-00 | Washer, Torque Label |
| 6    | 069-096-00 | Snap Ring            |
| 8    | 021-085-00 | Hub Cap, 42mm        |

### Hubs With Bearing and Wheel Studs

| Item | Part No.   | Description  | Bolt Circle |
|------|------------|--|-------------|
| 24   | 008-388-80 | Hub and Drum includes:<br>007-122-00 1/2-20 Press-in Studs<br>031-073-03 42mm Bearing Cartridge<br>069-095-00 Bearing Retainer | 6 on 5.50   |

### 12" x 2" Brakes

| Item | Part No.              | Description                             |
|------|-----------------------|---|
| 20   | K23-105-00/K23-106-00 | LH/RH Electric, 6K                      |
| ns   | K23-112-00/K23-113-00 | LH/RH Electric w/park, 6K               |
| ns   | K23-324-00/K23-325-00 | LH/RH Hydraulic Uni-servo, 5.2K         |
| ns   | K23-320-00/K23-321-00 | LH/RH Hydraulic Uni-servo w/park, 5.2K  |
| ns   | K23-322-00/K23-323-00 | LH/RH Hydraulic Duo-servo, 5.2K         |
| ns   | K23-318-00/K23-319-00 | LH/RH Hydraulic Duo-servo w/park, 5.2K  |
| ns   | K23-338-00/K23-339-00 | LH/RH Hydraulic Uni-servo, 7K           |
| ns   | K23-334-00/K23-335-00 | LH/RH Hydraulic Uni-servo w/park, 7K    |
| ns   | K23-336-00/K23-337-00 | LH/RH Hydraulic Duo-servo, 7K           |
| ns   | K23-332-00/K23-333-00 | LH/RH Hydraulic Duo-servo w/park, 7K    |
| ns   | K23-342-00/K23-343-00 | LH/RH Hydraulic Free Backing, 7K        |
| ns   | K23-340-00/K23-341-00 | LH/RH Hydraulic Free Backing w/park, 7K |
| ns   | K23-458-00/K23-459-00 | LH/RH Electric Nev-R-Adjust®            |
| ns   | K23-466-00/K23-467-00 | LH/RH Electric 6K CSA Nev-R-Adjust®     |

### Wheel Nuts

| Item | Part No.   | Description         |
|------|------------|---------------------|
| 13   | 006-080-00 | 1/2-20 60° Cone Nut |

8 on 6.5 hubs are available on these axles.  
See section in 5500-7000 lbs. capacity.

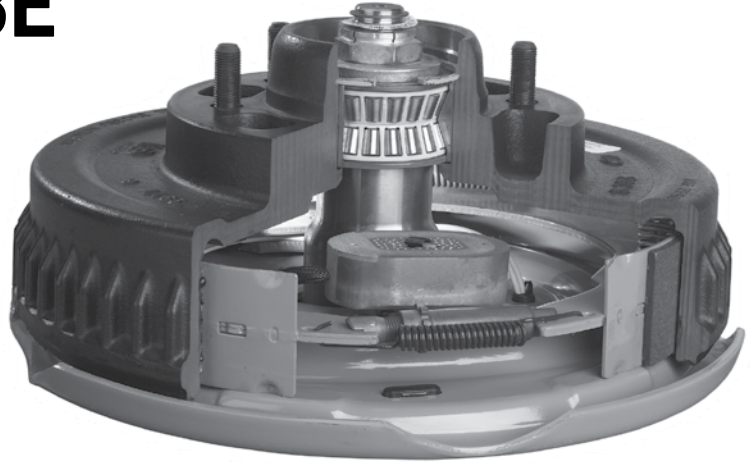
ns - not shown

Note: Spindle is not available for resale.

# SAVE TIME, SAVE MONEY WITH NEV-R-LUBE®

## Nev-R-Lube® Features

- No more inner and outer bearings to repack
- Pre-lubricated and resistant to contamination
- Sealed for life, no bearing maintenance
- Increased durability and reliability
- No replacing seals when checking brakes
- Pre-set adjustment allows for easy installation
- Human error is virtually eliminated in bearing adjustment
- Five-year or 100,000 mile limited warranty



## What is Nev-R-Lube®?

Dexter's Nev-R-Lube® bearings are comprised of opposed tapered roller bearing cones sealed inside of a precision ground, one piece double cup arrangement. These bearings are designed with a small amount of axial end play. The end play is essential to the longevity of the bearing's service life. Nev-R-Lube® is not designed for immersion in water, such as boat trailer use.

### 42mm SEALED CARTRIDGE BEARINGS

- D52 and D60 leaf spring axles
- #11 and #12 Torflex® axles
- Straight spindles only
- Up to 6,000 lbs. capacity
- 6 on 5.50" bolt circle hub-drums
- 12" x 2" brakes
- Use only zero offset wheels

### 50mm SEALED CARTRIDGE BEARINGS

- D70, D72, and D80 leaf spring axles
- #12, #12V, and #13 Torflex® axles
- Straight spindles only
- Up to 8,000 lbs. capacity
- 8 on 6.50" bolt circle hub-drums
- 12" x 2", 12¼" x 2½", and 12¼" x 3⅞" brakes
- Can be used with zero to ½" inset wheels at 7,000 lb. ratings
- Zero offset or 0.19" inset wheels only at 8,000 lbs. capacity

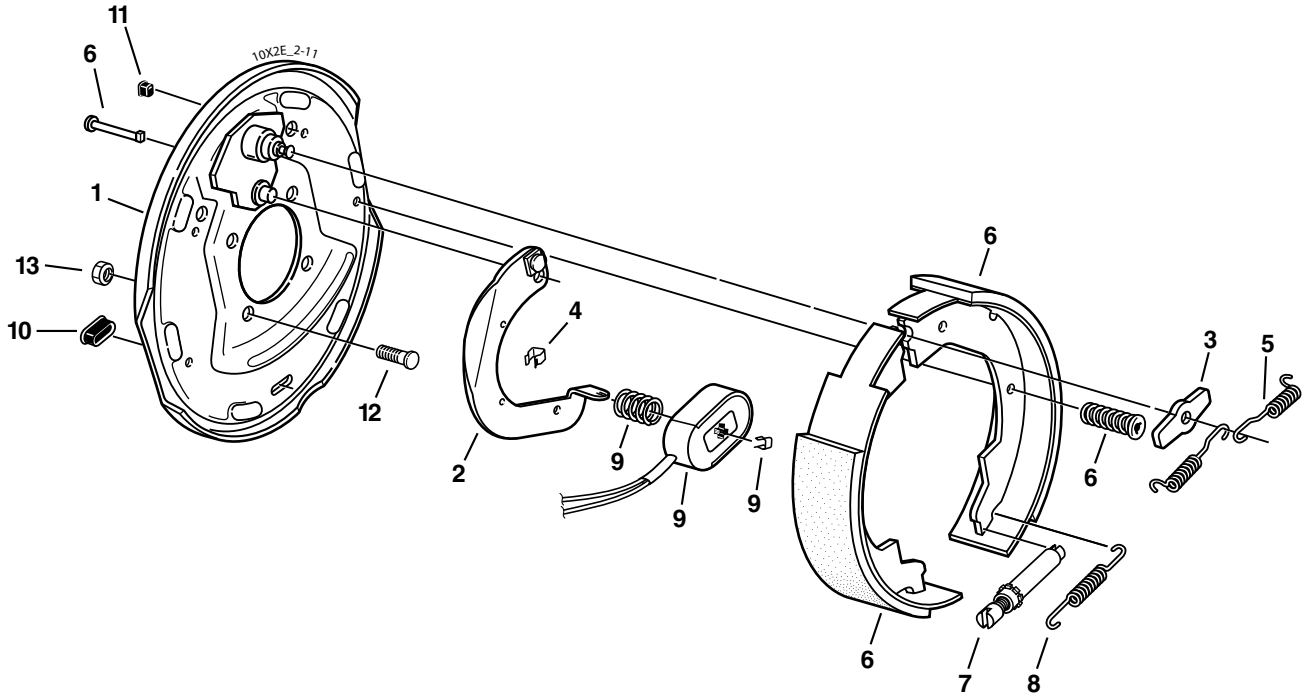
Nev-R-Lube® is subject to the maintenance and inspection procedures as outlined in the Dexter Operation Maintenance Service Manual.

# 10" x 2¼" D44 Electric Brake Manual Adjust



CSA approved at 4400#/13.0 SLR

**3600 - 6000 LBS. CAPACITY**



## Electric Brake Old Style Before 5/1/09

| Item | Part No.   | Qty/Brk | Description   |
|------|------------|---------|---|
| ns   | K23-454-00 | 1       | LH Complete Brake Assembly  |
| ns   | K23-455-00 | 1       | RH Complete Brake Assembly  |
| 1    | 036-019-16 | 1       | Backing Plate Assembly  |
| 2    | 047-019-05 | 1       | LH Actuating Lever Arm  |
| 2    | 047-020-05 | 1       | RH Actuating Lever Arm  |
| 3    | 005-067-00 | 1       | Washer  |
| 4    | 027-005-00 | 2       | Wire Clip   |
| 5    | 046-009-00 | 2       | Retractor Spring  |
| 6    | K71-672-00 | 1       | Shoe & Lining Kit Contains:<br>1 #040-361-00 Primary Shoe & Lining<br>1 #040-362-00 Secondary Shoe & Lining<br>2 #049-002-00 Shoe Hold Down Pin #8<br>2 #046-077-00 Shoe Hold Down Spring & Cup |
| 7    | 043-004-00 | 1       | Adjuster Assembly   |
| 8    | 046-018-00 | 1       | Adjusting Screw Spring  |
| 9    | K71-125-00 | 1       | Magnet Kit Contains:<br>1 #042-143-00 Magnet (black wire)<br>1 #027-009-00 Magnet Clip<br>1 #046-080-00 Magnet Spring   |
| 10   | 046-007-00 | 2       | Adjuster Slot Plug  |
| 11   | 046-016-00 | 1       | Wire Grommet  |
| 12   | 007-271-00 | 4       | Brake Mounting Bolt - Press-in  |
| *13  | 006-017-00 | 4       | Brake Mounting Nut  |

ns - not shown

\* Not included with complete brake assembly. Item sold separately.

## Electric Brake New Style After 5/1/09

| Item | Part No.   | Qty/Brk | Description   |
|------|------------|---------|---|
| 0    | K23-462-00 | 1       | LH Complete Brake Assembly (shown)  |
| 0    | K23-463-00 | 1       | RH Complete Brake Assembly  |
| 1    | 036-019-19 | 1       | Backing Plate Assembly  |
| 2    | 047-019-05 | 1       | LH Actuating Lever Arm  |
| 2    | 047-020-05 | 1       | RH Actuating Lever Arm  |
| 3    | 005-067-00 | 1       | Washer  |
| 4    | 027-005-00 | 2       | Wire Clip   |
| 5    | 046-009-00 | 2       | Retractor Spring  |
| 6    | K71-672-00 | 1       | Shoe & Lining Kit Contains:<br>1 #040-361-00 Primary Shoe & Lining<br>1 #040-362-00 Secondary Shoe & Lining<br>2 #049-002-00 Shoe Hold Down Pin #8<br>2 #046-077-00 Shoe Hold Down Spring & Cup |
| 7    | 043-004-00 | 1       | Adjuster Assembly   |
| 8    | 046-018-00 | 1       | Adjusting Screw Spring  |
| 9    | K71-125-00 | 1       | Magnet Kit Contains:<br>1 #042-143-00 Magnet (black wire)<br>1 #027-009-00 Magnet Clip<br>1 #046-080-00 Magnet Spring   |
| 10   | 046-007-00 | 2       | Adjuster Slot Plug  |
| 11   | 046-016-00 | 1       | Wire Grommet  |
| 12   | 007-271-00 | 4       | Brake Mounting Bolt - Press-in  |
| *13  | 006-017-00 | 4       | Brake Mounting Nut  |

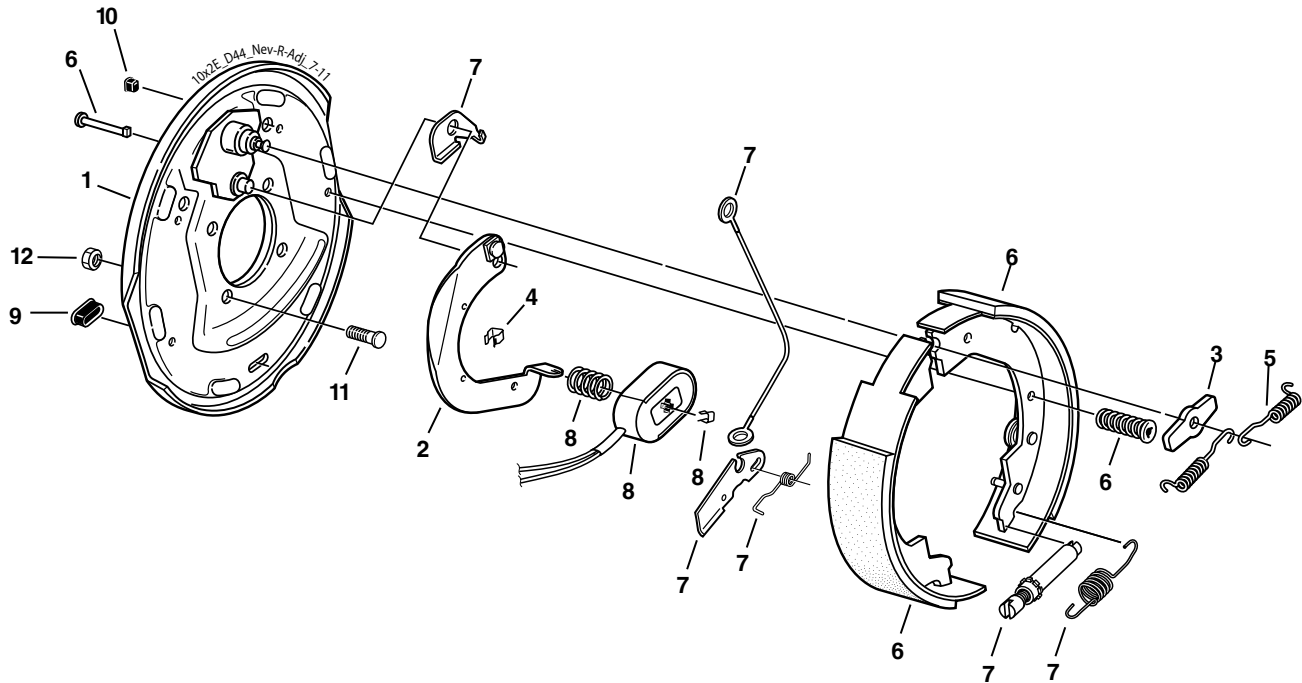
\* Not included with complete brake assembly. Item sold separately.

# 10" x 2¼" D44 Nev-R-Adjust® Electric Brake



CSA approved at 4400#/13.0 SLR

**3600 - 6000 LBS. CAPACITY**



## Electric Brake

| Item | Part No.   | Qty/Brk | Description  |
|------|------------|---------|--|
| 0    | K23-478-00 | 1       | LH Complete Brake Assembly (shown)   |
| 0    | K23-479-00 | 1       | RH Complete Brake Assembly   |
| 1    | 036-019-19 | 1       | Backing Plate Assembly   |
| 2    | 047-019-10 | 1       | LH Actuating Lever Arm   |
| 2    | 047-020-10 | 1       | RH Actuating Lever Arm   |
| 3    | 005-067-00 | 1       | Washer   |
| 4    | 027-011-00 | 2       | Wire Clip  |
| 5    | 046-009-00 | 2       | Retractor Spring   |
| 6    | K71-698-00 | 1       | LH Shoe & Lining Kit Contains:<br>1 #040-379-00 Primary Shoe & Lining<br>1 #040-380-01 Secondary Shoe & Lining<br>2 #049-002-00 Shoe Hold Down Pin #8<br>2 #046-077-00 Shoe Hold Down Spring & Cup   |
| 6    | K71-699-00 | 1       | RH Shoe & Lining Kit Contains:<br>1 #040-379-00 Primary Shoe & Lining<br>1 #040-380-02 Secondary Shoe & Lining<br>2 #049-002-00 Shoe Hold Down Pin #8<br>2 #046-077-00 Shoe Hold Down Spring & Cup   |
| 7    | K71-703-00 | 1       | LH & RH Brake Adjuster Kit Contains:<br>2 #046-139-00 Adjusting Screw Spring<br>1 #046-140-00 LH Lever Spring<br>1 #046-141-00 RH Lever Spring<br>1 #048-022-00 LH Adjuster Assembly<br>1 #048-023-00 RH Adjuster Assembly<br>2 #071-529-00 Hook for Cable<br>1 #071-532-01 LH Adjusting Lever<br>1 #071-532-02 RH Adjusting Lever<br>2 #071-533-00 Adjuster Cable<br>1 #071-655-01 LH Cable Lever<br>1 #071-655-02 RH Cable Lever<br>2 #071-656-00 Adjuster Cable |
| 8    | K71-125-00 | 1       | Magnet Kit Contains:<br>1 #042-143-00 Magnet (black wire)<br>1 #027-009-00 Magnet Clip<br>1 #046-080-00 Magnet Spring  |
| 9    | 046-007-00 | 2       | Adjuster Slot Plug   |
| 10   | 046-016-00 | 1       | Wire Grommet   |
| 11   | 007-271-00 | 4       | Brake Mounting Bolt - Press-in   |
| *12  | 006-017-00 | 4       | Brake Mounting Nut   |

**This brake will not fit axles produced prior to 5/1/09.**

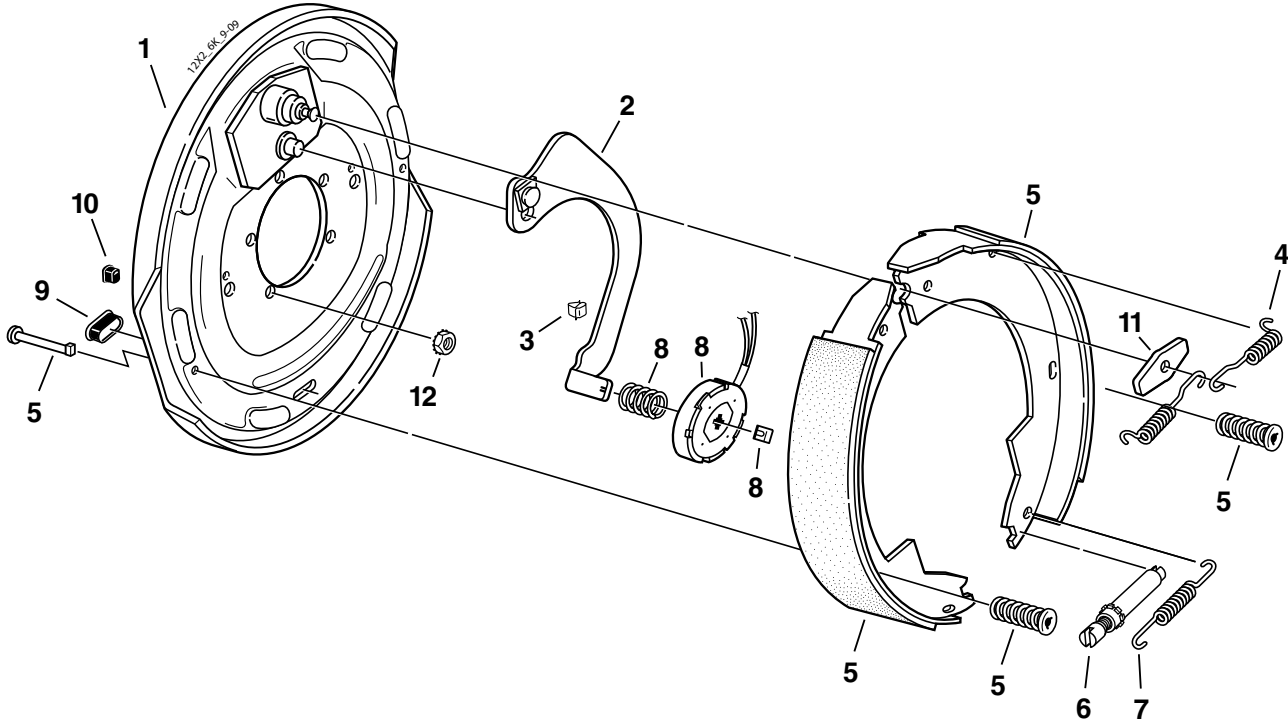
\* Not included with complete brake assembly. Item sold separately.

# 12" x 2" Electric Brake



CSA approved at 5200#/14.2 SLR  
CSA approved at 6000#/14.2 SLR

**3600 - 6000 LBS. CAPACITY**



## Electric Brake 6000# (CSA 5200#)

| Item | Part No.   | Qty/Brk | Description   |
|------|------------|---------|---|
| 0    | K23-105-00 | 1       | LH Complete Brake Assembly  |
| 0    | K23-106-00 | 1       | RH Complete Brake Assembly (shown)  |
| 1    | 036-089-05 | 1       | Backing Plate Assembly  |
| 2    | 047-107-05 | 1       | LH Actuating Lever Arm Assembly   |
| 2    | 047-108-05 | 1       | RH Actuating Lever Arm Assembly   |
| 3    | 027-005-00 | 2       | Wire Clip   |
| 4    | 046-009-00 | 2       | Retractor Spring  |
| 5    | K71-048-00 | 1       | Shoe & Lining Kit Contains:<br>1 #040-044-00 Primary Shoe & Lining<br>1 #040-045-00 Secondary Shoe & Lining<br>2 #049-011-00 Shoe Hold Down Pin #2<br>2 #046-077-00 Shoe Hold Down Spring & Cup |
| 6    | 043-004-00 | 1       | Adjuster Assembly   |
| 7    | 046-018-00 | 1       | Adjusting Screw Spring  |
| 8    | K71-105-00 | 1       | Magnet Kit Contains:<br>1 #042-144-00 Magnet (white wire)<br>1 #027-009-00 Magnet Clip<br>1 #046-080-00 Magnet Spring   |
| 9    | 046-007-00 | 2       | Adjuster Slot Plug  |
| 10   | 046-016-00 | 1       | Wire Grommet  |
| 11   | 005-067-00 | 1       | Anchor Post Washer  |
| *12  | 006-193-00 | 5       | Nut Washer Assembly   |

\* Not included with complete brake assembly. Item sold separately.

## Electric Brake 6000# (CSA 6000#)

| Item | Part No.   | Qty/Brk | Description   |
|------|------------|---------|---|
| 0    | K23-326-00 | 1       | LH Complete Brake Assembly  |
| 0    | K23-327-00 | 1       | RH Complete Brake Assembly  |
| 1    | 036-089-05 | 1       | Backing Plate Assembly  |
| 2    | 047-107-05 | 1       | LH Actuating Lever Arm Assembly   |
| 2    | 047-108-05 | 1       | RH Actuating Lever Arm Assembly   |
| 3    | 027-005-00 | 2       | Wire Clip   |
| 4    | 046-009-00 | 2       | Retractor Spring  |
| 5    | K71-127-00 | 1       | Shoe & Lining Kit Contains:<br>1 #040-215-00 Primary Shoe & Lining<br>1 #040-216-00 Secondary Shoe & Lining<br>2 #049-011-00 Shoe Hold Down Pin #2<br>2 #046-077-00 Shoe Hold Down Spring & Cup |
| 6    | 043-004-00 | 1       | Adjuster Assembly   |
| 7    | 046-018-00 | 1       | Adjusting Screw Spring  |
| 8    | K71-105-00 | 1       | Magnet Kit Contains:<br>1 #042-144-00 Magnet (white wire)<br>1 #027-009-00 Magnet Clip<br>1 #046-080-00 Magnet Spring   |
| 9    | 046-007-00 | 2       | Adjuster Slot Plug  |
| 10   | 046-016-00 | 1       | Wire Grommet  |
| 11   | 005-067-00 | 1       | Anchor Post Washer  |
| *12  | 006-193-00 | 5       | Nut Washer Assembly   |

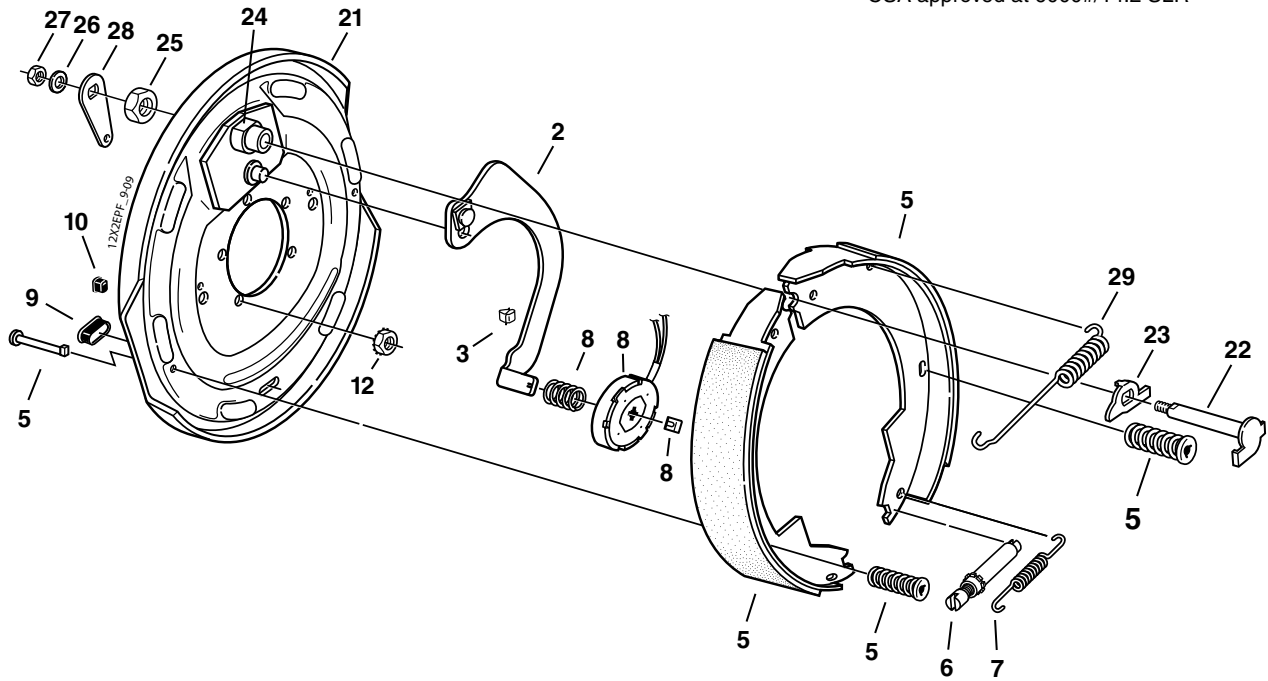


# 12" x 2" Electric Brake With Parking Feature



CSA approved at 5200#/14.2 SLR  
CSA approved at 6000#/14.2 SLR

**3600 - 6000 LBS. CAPACITY**



## Electric Parking Brake 6000# (CSA 5200#)

| Item | Part No.   | Qty/Brk | Description   |
|------|------------|---------|---|
| 0    | K23-112-00 | 1       | LH Complete Brake Assembly  |
| 0    | K23-113-00 | 1       | RH Complete Brake Assembly (shown)  |
| 2    | 047-107-05 | 1       | LH Actuating Lever Arm Assembly   |
| 2    | 047-108-05 | 1       | RH Actuating Lever Arm Assembly   |
| 3    | 027-005-00 | 2       | Wire Clip   |
| 5    | K71-048-00 | 1       | Shoe & Lining Kit Contains:<br>1 #040-044-00 Primary Shoe & Lining<br>1 #040-045-00 Secondary Shoe & Lining<br>2 #049-011-00 Shoe Hold Down Pin #2<br>2 #046-077-00 Shoe Hold Down Spring & Cup |
| 6    | 043-004-00 | 1       | Adjuster Assembly   |
| 7    | 046-018-00 | 1       | Adjusting Screw Spring  |
| 8    | K71-105-00 | 1       | Magnet Kit Contains:<br>1 #042-144-00 Magnet (white wire)<br>1 #027-009-00 Magnet Clip<br>1 #046-080-00 Magnet Spring   |
| 9    | 046-007-00 | 2       | Adjuster Slot Plug  |
| 10   | 046-016-00 | 1       | Wire Grommet  |
| *12  | 006-193-00 | 5       | Nut Washer Assembly   |
| 20   | 036-089-08 | 1       | LH Backing Plate Assembly Complete<br>(includes #21-28)   |
| 20   | 036-089-09 | 1       | RH Backing Plate Assembly Complete<br>(includes #21-28)   |
| 21   | 036-089-06 | 1       | LH Backing Plate Assembly   |
| 21   | 036-089-07 | 1       | RH Backing Plate Assembly   |
| 22   | 039-025-00 | 1       | LH Pivot Pin & Cam Sub-Assembly   |
| 22   | 039-026-00 | 1       | RH Pivot Pin & Cam Sub-Assembly   |
| 23   | 039-048-00 | 1       | LH Actuating Cam  |
| 23   | 039-049-00 | 1       | RH Actuating Cam  |
| 24   | 038-068-00 | 1       | Anchor Post & Bushing Sub-Assembly  |
| 25   | 006-047-00 | 1       | Anchor Post Locknut   |
| 26   | 005-041-00 | 1       | Washer  |
| 27   | 006-011-00 | 1       | Pivot Pin Locknut   |
| 28   | 047-070-00 | 1       | Parking Brake Lever   |
| 29   | 046-005-00 | 1       | Retractor Spring  |

## Electric Parking Brake 6000# (CSA 6000#)

| Item | Part No.   | Qty/Brk | Description   |
|------|------------|---------|---|
| 0    | K23-328-00 | 1       | LH Complete Brake Assembly  |
| 0    | K23-329-00 | 1       | RH Complete Brake Assembly  |
| 2    | 047-107-05 | 1       | LH Actuating Lever Arm Assembly   |
| 2    | 047-108-05 | 1       | RH Actuating Lever Arm Assembly   |
| 3    | 027-005-00 | 2       | Wire Clip   |
| 5    | K71-127-00 | 1       | Shoe & Lining Kit Contains:<br>1 #040-215-00 Primary Shoe & Lining<br>1 #040-216-00 Secondary Shoe & Lining<br>2 #049-011-00 Shoe Hold Down Pin #2<br>2 #046-077-00 Shoe Hold Down Spring & Cup |
| 6    | 043-004-00 | 1       | Adjuster Assembly   |
| 7    | 046-018-00 | 1       | Adjusting Screw Spring  |
| 8    | K71-105-00 | 1       | Magnet Kit Contains:<br>1 #042-144-00 Magnet (white wire)<br>1 #027-009-00 Magnet Clip<br>1 #046-080-00 Magnet Spring   |
| 9    | 046-007-00 | 2       | Adjuster Slot Plug  |
| 10   | 046-016-00 | 1       | Wire Grommet  |
| *12  | 006-193-00 | 5       | Nut Washer Assembly   |
| 20   | 036-089-08 | 1       | LH Backing Plate Assembly Complete<br>(includes #21-28)   |
| 20   | 036-089-09 | 1       | RH Backing Plate Assembly Complete<br>(includes #21-28)   |
| 21   | 036-089-06 | 1       | LH Backing Plate Assembly   |
| 21   | 036-089-07 | 1       | RH Backing Plate Assembly   |
| 22   | 039-025-00 | 1       | LH Pivot Pin & Cam Sub-Assembly   |
| 22   | 039-026-00 | 1       | RH Pivot Pin & Cam Sub-Assembly   |
| 23   | 039-048-00 | 1       | LH Actuating Cam  |
| 23   | 039-049-00 | 1       | RH Actuating Cam  |
| 24   | 038-068-00 | 1       | Anchor Post & Bushing Sub-Assembly  |
| 25   | 006-047-00 | 1       | Anchor Post Locknut   |
| 26   | 005-041-00 | 1       | Washer  |
| 27   | 006-011-00 | 1       | Pivot Pin Locknut   |
| 28   | 047-070-00 | 1       | Parking Brake Lever   |
| 29   | 046-005-00 | 1       | Retractor Spring  |

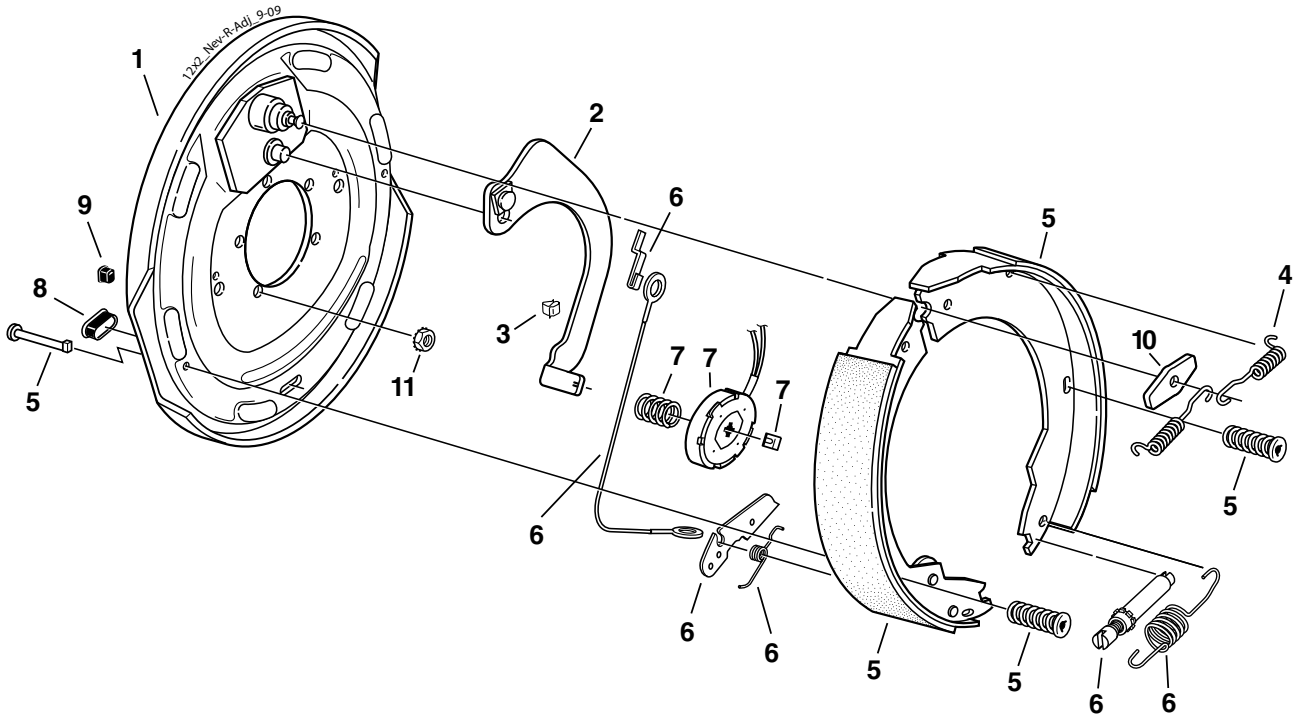
\* Not included with complete brake assembly. Item sold separately.

# 12" x 2" Nev-R-Adjust® Electric Brake



CSA approved at 5200#/14.2 SLR  
CSA approved at 6000#/14.2 SLR

**3600 - 6000 LBS. CAPACITY**



## Electric Brake 6000# (CSA 5200#)

| Item | Part No.   | Qty/Brk | Description  |
|------|------------|---------|--|
| 0    | K23-458-00 | 1       | LH Complete Brake Assembly   |
| 0    | K23-459-00 | 1       | RH Complete Brake Assembly (shown)   |
| 1    | 036-089-05 | 1       | Backing Plate Assembly   |
| 2    | 047-107-05 | 1       | LH Actuating Lever Arm Assembly  |
| 2    | 047-108-05 | 1       | RH Actuating Lever Arm Assembly  |
| 3    | 027-005-00 | 2       | Wire Clip  |
| 4    | 046-009-00 | 2       | Retractor Spring   |
| 5    | K71-673-00 | 1       | LH Shoe & Lining Kit Contains:<br>1 #040-044-00 Primary Shoe & Lining<br>1 #040-045-03 Secondary Shoe & Lining<br>2 #049-011-00 Shoe Hold Down Pin #2<br>2 #046-077-00 Shoe Hold Down Spring & Cup   |
| 5    | K71-674-00 | 1       | RH Shoe & Lining Kit Contains:<br>1 #040-044-00 Primary Shoe & Lining<br>1 #040-045-04 Secondary Shoe & Lining<br>2 #049-011-00 Shoe Hold Down Pin #2<br>2 #046-077-00 Shoe Hold Down Spring & Cup   |
| 6    | K71-679-00 | 1       | LH & RH Brake Adjuster Kit Contains:<br>2 #046-139-00 Adjusting Screw Spring<br>1 #046-140-00 LH Lever Spring<br>1 #046-141-00 RH Lever Spring<br>1 #048-022-00 LH Adjuster Assembly<br>1 #048-023-00 RH Adjuster Assembly<br>2 #071-528-00 Adjuster Cable<br>2 #071-529-00 Hook for Cable<br>1 #071-530-01 LH Adjusting Lever<br>1 #071-530-02 RH Adjusting Lever |
| 7    | K71-105-00 | 1       | Magnet Kit Contains:<br>1 #042-144-00 Magnet (white wire)<br>1 #027-009-00 Magnet Clip<br>1 #046-080-00 Magnet Spring  |
| 8    | 046-007-00 | 2       | Adjuster Slot Plug   |
| 9    | 046-016-00 | 1       | Wire Grommet   |
| 10   | 005-067-00 | 1       | Anchor Post Washer   |
| *11  | 006-193-00 | 5       | Nut Washer Assembly  |

\* Not included with complete brake assembly. Item sold separately.

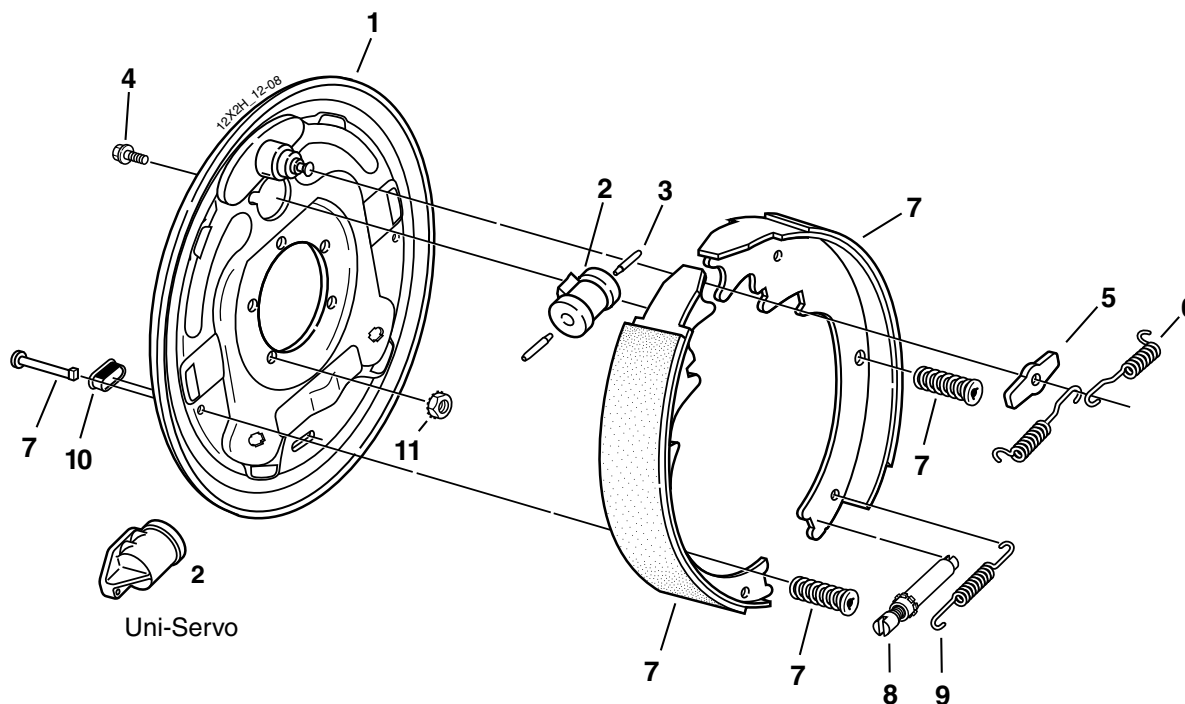
## Electric Brake 6000# (CSA 6000#)

| Item | Part No.   | Qty/Brk | Description  |
|------|------------|---------|--|
| 0    | K23-466-00 | 1       | LH Complete Brake Assembly   |
| 0    | K23-467-00 | 1       | RH Complete Brake Assembly (shown)   |
| 1    | 036-089-05 | 1       | Backing Plate Assembly   |
| 2    | 047-107-05 | 1       | LH Actuating Lever Arm Assembly  |
| 2    | 047-108-05 | 1       | RH Actuating Lever Arm Assembly  |
| 3    | 027-005-00 | 2       | Wire Clip  |
| 4    | 046-009-00 | 2       | Retractor Spring   |
| 5    | K71-675-00 | 1       | LH Shoe & Lining Kit Contains:<br>1 #040-215-00 Primary Shoe & Lining<br>1 #040-216-01 Secondary Shoe & Lining<br>2 #049-011-00 Shoe Hold Down Pin #2<br>2 #046-077-00 Shoe Hold Down Spring & Cup   |
| 5    | K71-676-00 | 1       | RH Shoe & Lining Kit Contains:<br>1 #040-215-00 Primary Shoe & Lining<br>1 #040-216-02 Secondary Shoe & Lining<br>2 #049-011-00 Shoe Hold Down Pin #2<br>2 #046-077-00 Shoe Hold Down Spring & Cup   |
| 6    | K71-679-00 | 1       | LH & RH Brake Adjuster Kit Contains:<br>2 #046-139-00 Adjusting Screw Spring<br>1 #046-140-00 LH Lever Spring<br>1 #046-141-00 RH Lever Spring<br>1 #048-022-00 LH Adjuster Assembly<br>1 #048-023-00 RH Adjuster Assembly<br>2 #071-528-00 Adjuster Cable<br>2 #071-529-00 Hook for Cable<br>1 #071-530-01 LH Adjusting Lever<br>1 #071-530-02 RH Adjusting Lever |
| 7    | K71-105-00 | 1       | Magnet Kit Contains:<br>1 #042-144-00 Magnet (white wire)<br>1 #027-009-00 Magnet Clip<br>1 #046-080-00 Magnet Spring  |
| 8    | 046-007-00 | 2       | Adjuster Slot Plug   |
| 9    | 046-016-00 | 1       | Wire Grommet   |
| 10   | 005-067-00 | 1       | Anchor Post Washer   |
| *11  | 006-193-00 | 5       | Nut Washer Assembly  |



# 12" x 2" Hydraulic Brake

**3600 - 6000 LBS. CAPACITY**



**Note:** Uni-Servo brakes to be used with surge actuator

## Hydraulic Brake 5200#

| Item | Part No.   | Qty/Brk | Description   |
|------|------------|---------|---|
| 0    | K23-322-00 | 1       | LH Complete Brake Assembly-DS   |
| 0    | K23-323-00 | 1       | RH Complete Brake Assembly-DS (shown)   |
| 0    | K23-324-00 | 1       | LH Complete Brake Assembly-US   |
| 0    | K23-325-00 | 1       | RH Complete Brake Assembly-US (shown)   |
| 1    | 036-093-03 | 1       | Backing Plate Assembly  |
| 2    | 054-062-00 | 1       | LH Brake Cylinder Duo-Servo   |
| 2    | 054-063-00 | 1       | RH Brake Cylinder Duo-Servo   |
| 2    | 054-064-00 | 1       | LH Brake Cylinder Uni-Servo   |
| 2    | 054-065-00 | 1       | RH Brake Cylinder Uni-Servo   |
| 3    | 054-060-00 | 1 or 2  | Cylinder Push Rod US (1) DS (2)   |
| 4    | 087-001-00 | 2       | Sems (screw & washer assembly)  |
| 5    | 005-113-00 | 1       | Anchor Post Washer  |
| 6    | 046-101-00 | 2       | Retractor Spring  |
| 7    | K71-268-00 | 1       | Shoe & Lining Kit Contains:<br>1 #040-204-00 Primary Shoe & Lining<br>1 #040-206-00 Secondary Shoe & Lining<br>2 #046-077-00 Shoe Hold Down Spring & Cup<br>2 #049-012-00 Shoe Hold Down Pin #4 |
| 8    | 043-029-00 | 1       | Adjuster Assembly   |
| 9    | 046-102-00 | 1       | Adjusting Screw Spring  |
| 10   | 046-007-00 | 1       | Adjuster Slot Plug  |
| *11  | 006-193-00 | 5       | Nut Washer Assembly   |
| ns   | 054-089-00 | 1       | Bleeder Screw (included with item #2)   |

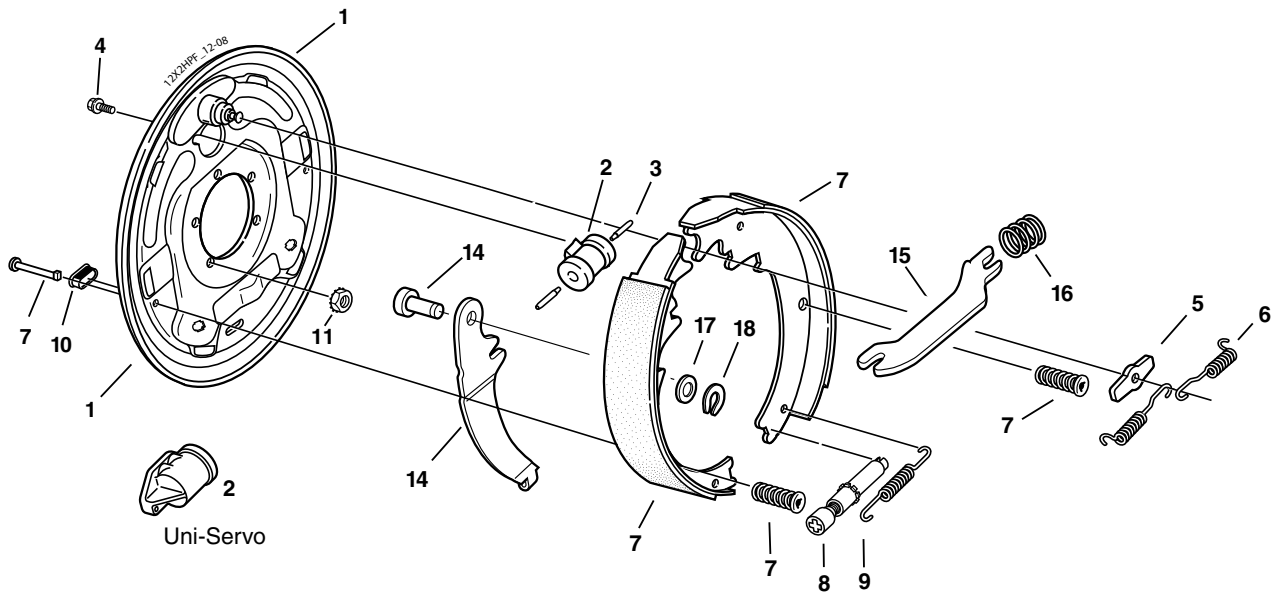
ns - not shown

\* Not included with complete brake assembly. Item sold separately.

# 12" x 2" Hydraulic Brake With Parking Feature



**3600 - 6000 LBS. CAPACITY**



**Note:** Uni-Servo brakes to be used with surge actuator

## Hydraulic Parking Brake 5200#

| Item | Part No.   | Qty/Brk | Description   |
|------|------------|---------|---|
| 0    | K23-318-00 | 1       | LH Complete Brake Assembly-DS   |
| 0    | K23-319-00 | 1       | RH Complete Brake Assembly-DS (shown)   |
| 0    | K23-320-00 | 1       | LH Complete Brake Assembly-US   |
| 0    | K23-321-00 | 1       | RH Complete Brake Assembly-US (shown)   |
| 1    | 036-093-19 | 1       | LH Backing Plate Assembly   |
| 1    | 036-093-20 | 1       | RH Backing Plate Assembly   |
| 2    | 054-062-00 | 1       | LH Brake Cylinder Duo-Servo   |
| 2    | 054-063-00 | 1       | RH Brake Cylinder Duo-Servo   |
| 2    | 054-064-00 | 1       | LH Brake Cylinder Uni-Servo   |
| 2    | 054-065-00 | 1       | RH Brake Cylinder Uni-Servo   |
| 3    | 054-060-00 | 1 or 2  | Cylinder Push Rod US (1) DS (2)   |
| 4    | 087-001-00 | 2       | Sems (screw & washer assembly)  |
| 5    | 005-113-00 | 1       | Anchor Post Washer  |
| 6    | 046-101-00 |         | Retractor Spring  |
| 7    | K71-268-00 | 1       | Shoe & Lining Kit Contains:<br>1 #040-204-00 Primary Shoe & Lining<br>1 #040-206-00 Secondary Shoe & Lining<br>2 #046-077-00 Shoe Hold Down Spring & Cup<br>2 #049-012-00 Shoe Hold Down Pin #4 |
| 8    | 043-029-00 | 1       | Adjuster Assembly   |
| 9    | 046-102-00 | 1       | Adjusting Screw Spring  |
| 10   | 046-007-00 | 1       | Adjuster Slot Plug  |
| *11  | 006-193-00 | 5       | Nut Washer Assembly   |
| 14   | 047-110-01 | 1       | LH Parking Lever and Pin  |
| 14   | 047-111-01 | 1       | RH parking Lever and Pin  |
| 15   | 047-109-00 | 1       | Parking Strut   |
| 16   | 046-103-00 | 1       | Parking Strut Spring  |
| 17   | 005-112-00 | 1       | Spring Tension Washer   |
| 18   | 069-055-00 | 1       | Retainer  |
| ns   | 054-089-00 | 1       | Bleeder Screw (included with item #2)   |
| *ns  | 071-515-00 | 1       | Park Brake Cable  |

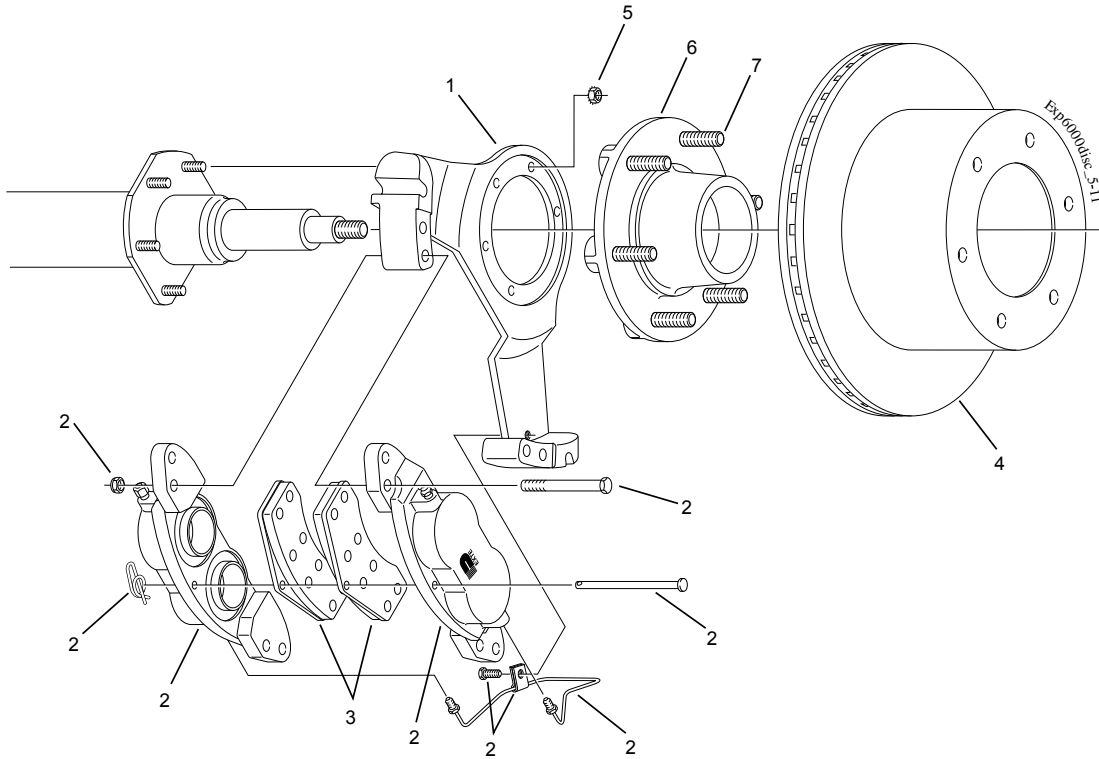
ns - not shown

\* Not included with complete brake assembly. Item sold separately.

# Disc Brake for 6,000 Lb. Axles



CSA approved at 6000#/14.3 SLR



## Disc Brake 6000#

| Item | Part No.     | Qty/Brk | Description                                     |
|------|--------------|---------|---|
| 1    | 090-005-01   | 1       | LH Anchor Yoke                                  |
| 1    | 090-005-02   | 1       | RH Anchor Yoke (shown)                          |
| 2    | K71-636-00   | 1       | Caliper Assembly Kit for LH or RH Contains:     |
|      | 4 006-045-00 |         | Caliper Mounting Nut                            |
|      | 4 007-254-00 |         | Caliper Mounting Bolt                           |
|      | 1 019-019-00 |         | Cotter Ring                                     |
|      | 1 027-060-00 |         | Tube Clamp                                      |
|      | 1 054-092-00 |         | Bleeder Screw                                   |
|      | 1 054-094-00 |         | Adapter Fitting                                 |
|      | 1 056-038-00 |         | Pad Retaining Pin                               |
|      | 1 071-513-00 |         | Cross Over Hydraulic Line (yokes without notch) |
|      | 1 071-517-00 |         | Cross Over Hydraulic Line (yokes with notch)    |
|      | 1 087-002-00 |         | Hex Bolt  |
|      | 2 089-005-02 |         | Assembled Caliper Half                          |
| 3    | K71-629-00   | 1       | Brake Pad Kit (axle set)                        |
| 4    | K71-637-00   | 1       | Rotor Kit                                       |
| 5    | 006-193-00   | 5       | 3/8" Brake Mounting Nut-Washer Assembly         |

## Disc Brake Hubs & Studs

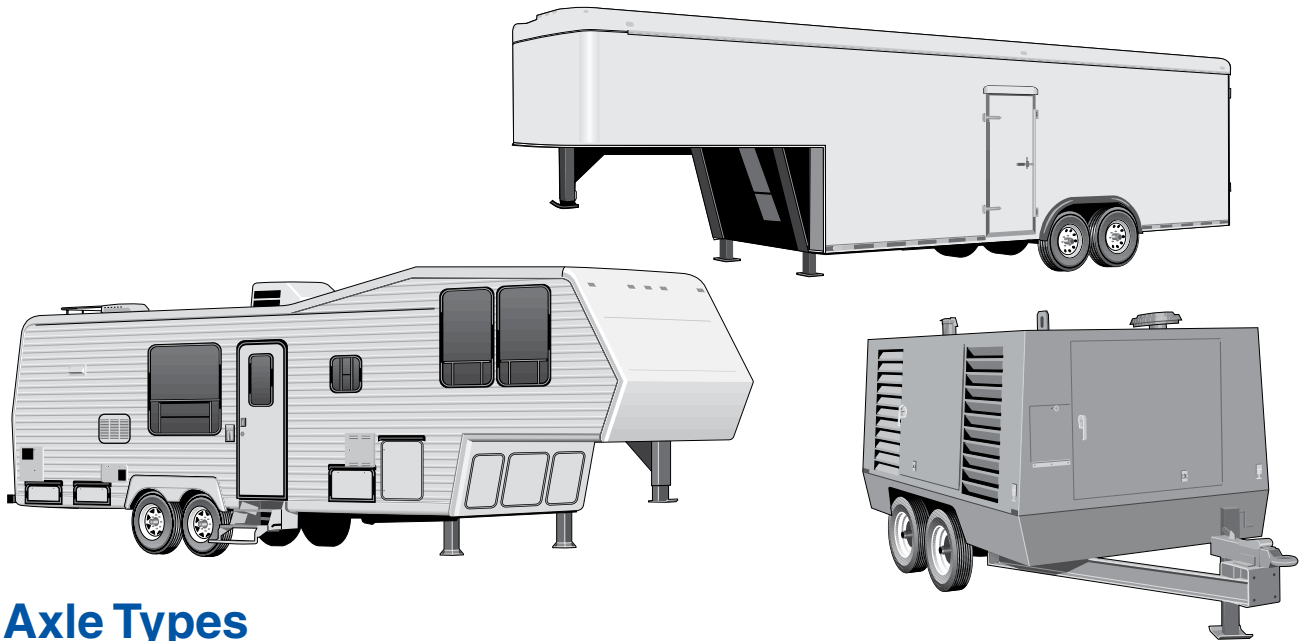
| Item | Part No.   | Qty/Brk | Description                  |
|------|------------|---------|------------------------------|
| 6    | 008-403-05 | 1       | Grease 1/2" Studs 6 on 5.50  |
| 7    | 007-262-00 | 6       | 1/2-20 x 2.50" Press-in Stud |

## Disc Brake 6000# With 42MM Nev-R-Lube®

| Item | Part No.     | Qty/Brk | Description                                     |
|------|--------------|---------|---|
| 1    | 090-006-01   | 1       | LH Anchor Yoke                                  |
| 1    | 090-006-02   | 1       | RH Anchor Yoke                                  |
| 2    | K71-636-00   | 1       | Caliper Assembly Kit for LH or RH Contains:     |
|      | 4 006-045-00 |         | Caliper Mounting Nut                            |
|      | 4 007-254-00 |         | Caliper Mounting Bolt                           |
|      | 1 019-019-00 |         | Cotter Ring                                     |
|      | 1 027-060-00 |         | Tube Clamp                                      |
|      | 1 054-092-00 |         | Bleeder Screw                                   |
|      | 1 054-094-00 |         | Adapter Fitting                                 |
|      | 1 056-038-00 |         | Pad Retaining Pin                               |
|      | 1 071-513-00 |         | Cross Over Hydraulic Line (yokes without notch) |
|      | 1 071-517-00 |         | Cross Over Hydraulic Line (yokes with notch)    |
|      | 1 087-002-00 |         | Hex Bolt  |
|      | 2 089-005-02 |         | Assembled Caliper Half                          |
| 3    | K71-629-00   | 1       | Brake Pad Kit (axle set)                        |
| 4    | K71-637-00   | 1       | Rotor Kit                                       |
| 5    | 006-193-00   | 5       | 3/8" Brake Mounting Nut-Washer Assembly         |

## Nev-R-Lube® Disc Brake Hubs

| Item | Part No.   | Qty/Brk | Description                  |
|------|------------|---------|------------------------------|
| 6    | 008-404-80 | 1       | 1/2" Studs, 42mm 6 on 5.50   |
| 7    | 007-262-00 | 6       | 1/2-20 x 2.50" Press-in Stud |



## Axle Types

### 5500-7000 Lbs. Capacity

- Complete service manual
- Precision machined, forged steel spindles
- Precision machined integral cast iron hub/drums
- 8-bolt and 5 bolt (UTG) hubs available
- Standard grease; optional oil bath; E-Z Lube® or Nev-R-Lube® option
- Press-in wheel studs (8-bolt)
- 12" x 2" electric brakes, CSA approved at 7000 lbs, 12" x 2" hydraulic brakes
- Brakes are available with and without parking feature
- Hydraulic free backing brakes available
- Hydraulic brakes - uni-servo and duo-servo available



## D60 & D70 LEAF SPRING



- High quality alloy steel springs in a variety of capacities
- Single, tandem, or triple axle assemblies with equalized suspensions
- Slipper spring or double eye leaf spring suspension
- Optional hanger and attaching parts kits available
- Durable, wear-resistant components
- Inner wiring system for easier installation and protection of brake wiring
- Heavy wall 3" diameter tube
- Straight or Drop spindles (4" drop only)
- 2 year limited warranty

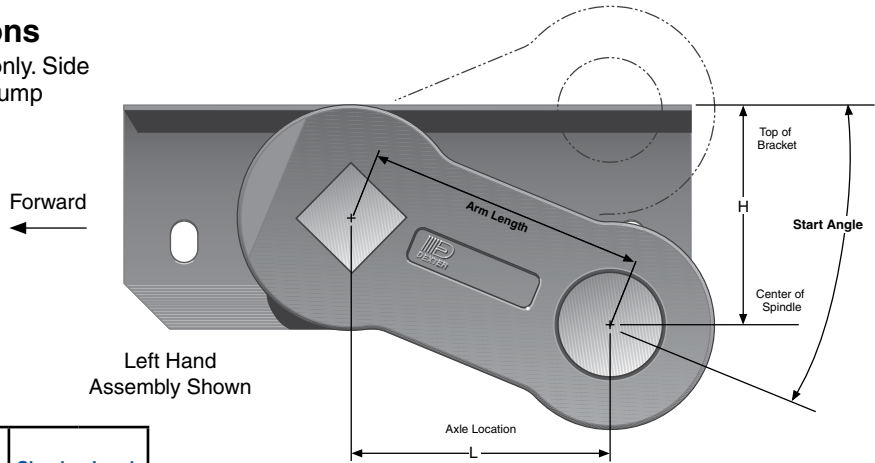
- Totally rubber-cushioned for smooth, quiet, independent ride
- Easy installation with less maintenance
- Less transfer of road shock which insulates cargo from road shocks and vibration
- Self-damping action
- Load-carrying cross member
- Rubber cords compounded for maximum dependability and durability
- Independent wheel suspension system
- 5 year limited warranty on suspension system
- Low profile for maximum road clearance
- Various starting angles to control trailer height
- High and low profile brackets with optional mounting brackets are available
- Rubber cushioning eliminates metal-to-metal contact
- Shock absorption provided by the natural hysteresis of rubber
- Single or tandem axle assemblies
- Durable, wear-resistant components

**CAUTION:** Triple axle assemblies are NOT recommended for Torflex® axles.



## Articulation Dimensions

Dimensions are for top mount only. Side mount is .31" higher. Allow 3" bump clearance from full load.



| Start Angle | Bracket Profile | No Load |      | Full Load |      | Shock Load |      |
|-------------|-----------------|---------|------|-----------|------|------------|------|
|             |                 | H       | L    | H         | L    | H          | L    |
| 45° Down    | Low             | 6.24    | 4.24 | 4.30      | 5.54 | 3.30       | 5.86 |
|             | High            | 6.99    | 4.24 | 5.05      | 5.54 | 4.05       | 5.86 |
| 22.5° Down  | Low             | 4.30    | 5.54 | 2.00      | 6.00 | 0.96       | 5.91 |
|             | High            | 5.05    | 5.54 | 2.75      | 6.00 | 1.71       | 5.91 |
| 10° Down    | Low             | 3.04    | 5.91 | 0.70      | 5.86 | -0.30      | 5.54 |
|             | High            | 3.79    | 5.91 | 1.45      | 5.86 | 0.45       | 5.54 |
| 0°          | Low             | 2.00    | 6.00 | -0.30     | 5.54 | -1.22      | 5.06 |
|             | High            | 2.75    | 6.00 | 0.45      | 5.54 | -0.47      | 5.06 |
| 10° Up      | Low             | 0.96    | 5.91 | -1.22     | 5.06 | -2.05      | 4.42 |
|             | High            | 1.71    | 5.91 | -0.47     | 5.06 | -1.30      | 4.42 |
| 22.5° Up    | Low             | -0.30   | 5.54 | -2.24     | 4.24 | -2.91      | 3.44 |
|             | High            | 0.45    | 5.54 | -1.49     | 4.24 | -2.16      | 3.44 |

### #12 Overhang Per Side

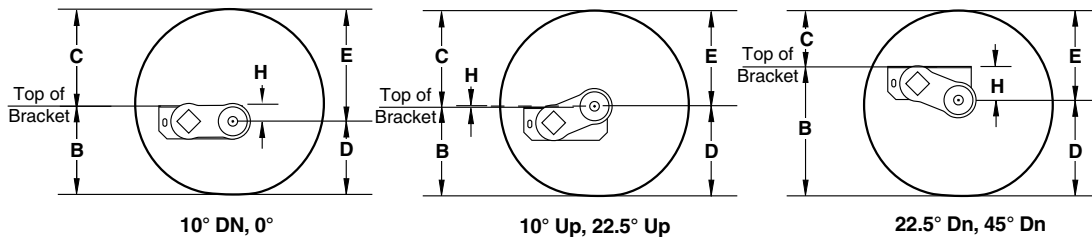
| Spindle  | Min.  | Max.   |
|----------|-------|--------|
| Short    | 7.00" | 15.20" |
| Standard | 7.50" | 15.20" |

**Note:** Positive numbers in the H column indicate the spindle is BELOW the top of the bracket. Conversely, negative numbers are ABOVE the top of the bracket.



## Full Load Dimensions

Dimensions are for low profile, top mount only. High profile brackets are .75" higher. Side mount is .31" higher. Allow 3" bump clearance from full load.



### Start Angle

| Tire        | * ** |      | 45° Down |      |      | 22.5° Down |      |      | 10° Down |      |      | 0°   |      |      | 10° Up |      |      | 22.5° Up |      |      |
|-------------|------|------|----------|------|------|------------|------|------|----------|------|------|------|------|------|--------|------|------|----------|------|------|
|             | D    | E    | H        | B    | C    | H          | B    | C    | H        | B    | C    | H    | B    | C    | H      | B    | C    | H        | B    | C    |
| LT235/85R16 | 14.3 | 15.4 | 4.3      | 18.6 | 11.1 | 2.0        | 16.3 | 13.4 | 0.7      | 15.0 | 14.7 | -0.3 | 14.0 | 15.7 | -1.2   | 13.1 | 16.6 | -2.2     | 12.1 | 17.6 |
| 7.50-16LT   | 14.9 | 16.7 | 4.3      | 19.2 | 12.4 | 2.0        | 16.9 | 14.7 | 0.7      | 15.6 | 16.0 | -0.3 | 14.6 | 17.0 | -1.2   | 13.7 | 17.9 | -2.2     | 12.7 | 18.9 |
| 9.50-16.5LT | 14.1 | 15.2 | 4.3      | 18.4 | 10.9 | 2.0        | 16.1 | 13.2 | 0.7      | 14.8 | 14.5 | -0.3 | 13.8 | 15.5 | -1.2   | 12.9 | 16.4 | -2.2     | 11.9 | 17.4 |

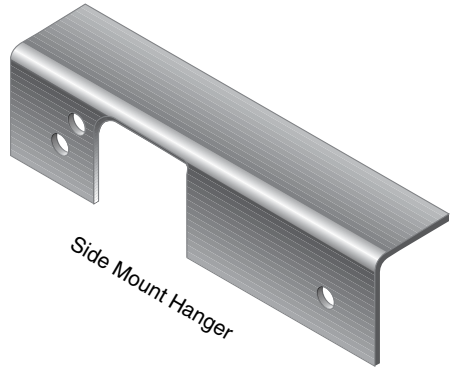
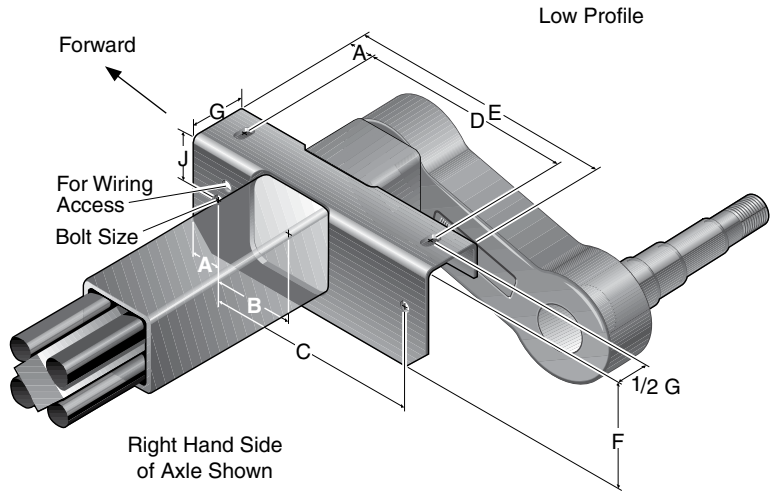
Columns D and E are dimensional examples only:

\* D – Static Loaded Radius

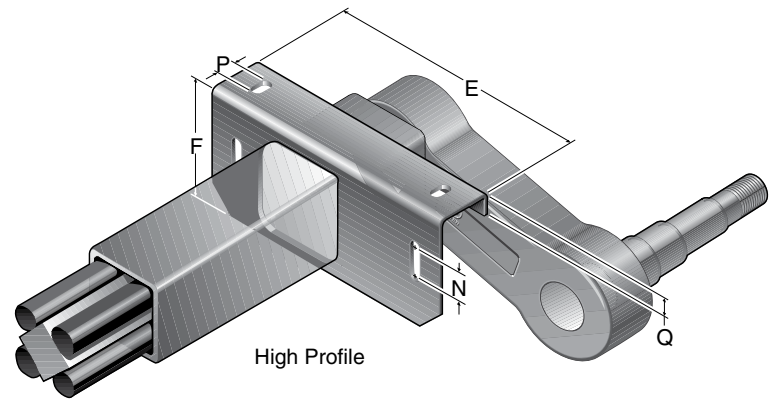
\*\* E – Inflated Radius



## **12** Bracket Dimensions



| #12 Bracket Dimensions |           |       |
|------------------------|-----------|-------|
|                        | Low       | High  |
| A                      | 1.25      | 1.25  |
| B                      | 3.50      | 3.50  |
| C                      | 9.50      | 9.50  |
| D                      | 9.00      | 9.00  |
| E                      | 12.00     | 12.00 |
| F                      | 4.37      | 5.12  |
| G                      | 2.50      | 2.50  |
| J                      | 2.06      | 2.06  |
| N                      | ----      | 1.03  |
| P                      | ----      | 1.00  |
| Q                      | ----      | 1.00  |
| Bolt Size              | 5/8" bolt |       |
| Tube Size              | 3.50      | 3.50  |





# Leaf Spring Application Information



## Double Eye Springs

**For Standard 33" Axle Spacing**  
 Single A/P-122-00  
 Tandem A/P-233-00  
 Triple A/P-335-00

|   | Spring Length |       |       |
|---|---------------|-------|-------|
|   | 21"           | 24"   | 26"   |
| A | 19.62         | 23.50 | 25.75 |
| B | 25.00         | 27.50 | 29.50 |
| C | 28.75         | 31.00 | 33.00 |
| D | 10.62         | 12.00 | 13.00 |
| E | 28.75         | 31.00 | 33.00 |

**For Optional 35" Axle Spacing**  
 Tandem A/P-264-00  
 Triple A/P-364-00

|   | Spring Length |       |       |
|---|---------------|-------|-------|
|   | 21"           | 24"   | 26"   |
| B | 26.00         | 28.50 | 30.50 |
| C | 30.80         | 33.00 | 35.00 |
| D | 10.62         | 12.00 | 13.00 |
| E | 30.80         | 33.00 | 35.00 |

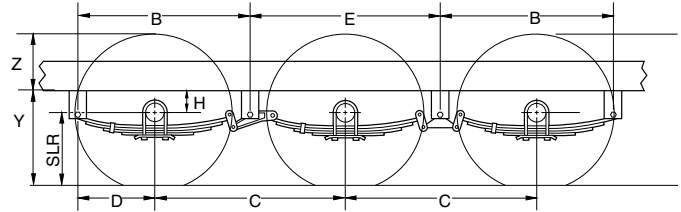
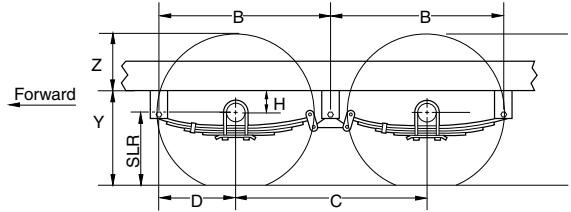
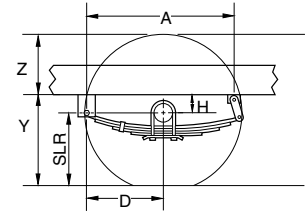
## D60 Overhang Per Side

|             | Min.  | Disc.* | Max.   |
|-------------|-------|--------|--------|
| Straight    | 6.63" | 9.00"  | 10.00" |
| 4" Drop     | 7.87" | N/A    | 9.50"  |
| Nev-R-Lube® | 6.19" | 9.00"  | 10.00" |

\* Minimum overhang with disc brakes

## D70 Overhang Per Side

|             | Min.  | Max.  |
|-------------|-------|-------|
| Straight    | 6.63" | 9.00" |
| 4" Drop     | 7.87" | 9.00" |
| Nev-R-Lube® | 6.37" | 9.00" |



## Double Eye Axle Assemblies

### Hanger Kits

| Part No.   | Description   | Height | Quantity Per Kit |            |            |            |            |
|------------|---------------|--------|------------------|------------|------------|------------|------------|
|            |               |        | HGR-104-00       | HGR-105-00 | HGR-248-00 | HGR-249-00 | HGR-348-00 |
| 028-005-00 | Hanger        | 3.25"  | 2                | ---        | 4          | 2          | 4          |
| 028-006-00 | Front Hanger  | 1.44"  | ---              | 2          | ---        | ---        | ---        |
| 029-008-00 | Front Hanger  | 2.06"  | ---              | ---        | ---        | 4          | ---        |
| 029-031-00 | Center Hanger | 3.62"  | ---              | ---        | 2          | ---        | 4          |
| 030-020-00 | Rear Hanger   | .91"   | 2                | 2          | ---        | ---        | ---        |

### Attaching Parts Kits

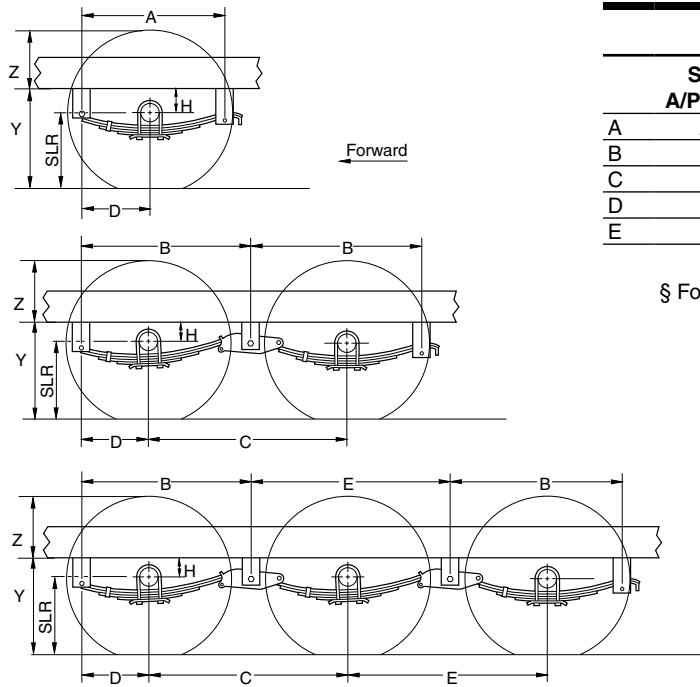
| Part No.   | Description                 | A/P-122-00 | A/P-233-00     | A/P-264-00† | A/P-335-00 | A/P-364-00† |
|------------|-----------------------------|------------|----------------|-------------|------------|-------------|
|            |                             | 006-092-01 | Flange Locknut | 6           | 14         | 14          |
| 007-126-00 | Shackle Bolt                | 2          | 6              | 6           | 10         | 10          |
| 013-104-02 | Equalizer                   | ---        | 2              | ---         | 2          | ---         |
| 013-105-02 | Equalizer                   | ---        | ---            | ---         | 2          | ---         |
| 013-122-02 | Equalizer                   | ---        | ---            | 2           | ---        | 2           |
| 013-126-02 | Equalizer                   | ---        | ---            | ---         | ---        | 2           |
| 018-011-00 | Shackle Link                | ---        | 4              | 4           | 6          | 6           |
| 018-012-00 | Shackle Link, Long          | 2          | ---            | ---         | ---        | ---         |
| 018-020-00 | Shackle Link Assembly       | ---        | 4              | 4           | 6          | 6           |
| 018-021-00 | Shackle Link Assembly, Long | 2          | ---            | ---         | ---        | ---         |

† For 35" axle spacing using 26" springs

# Leaf Spring Application Information



**5500 - 7000 LBS. CAPACITY**



## Slipper Springs

|   | Single     | Tandem                  |                         | Triple                  |                         |
|---|------------|-------------------------|-------------------------|-------------------------|-------------------------|
|   | A/P-103-00 | A/P-202-00 <sup>§</sup> | A/P-216-00 <sup>‡</sup> | A/P-302-00 <sup>§</sup> | A/P-316-00 <sup>‡</sup> |
| A | 24.0       | ----                    | ----                    | ----                    | ----                    |
| B | ----       | 28.8                    | 30.4                    | 28.8                    | 30.4                    |
| C | ----       | 33.5                    | 36.0                    | 33.5                    | 36.0                    |
| D | 11.5       | 11.5                    | 11.5                    | 11.5                    | 11.5                    |
| E | ----       | ----                    | ----                    | 33.0                    | 35.0                    |

**Note:** All 2" wide slipper springs  
<sup>§</sup> For 33.5" axle spacing      <sup>‡</sup> For 36" axle spacing

A, B, E – Hanger Spacing  
 C – Axle Spacing  
 D – Axle Location  
 H – Center of Spindle  
 Y – Frame Height  
 Z – Top of Tire to Bottom of Frame  
 SLR – Static Load Radius

To determine these values, contact your local sales engineer or distributor to run ProSpec™.

## Slipper Spring Axle Assemblies

| Hanger Kits |               |        | Quantity Per Kit |            |            |
|-------------|---------------|--------|------------------|------------|------------|
| Part No.    | Description   | Height | HGR-110-00       | HGR-202-00 | HGR-302-00 |
| 028-001-00  | Front Hanger  | 4.25"  | 2                | 2          | 2          |
| 029-001-00  | Center Hanger | 3.50"  | ----             | 2          | 4          |
| 030-028-00  | Rear Hanger   | 4.00"  | 2                | 2          | 2          |

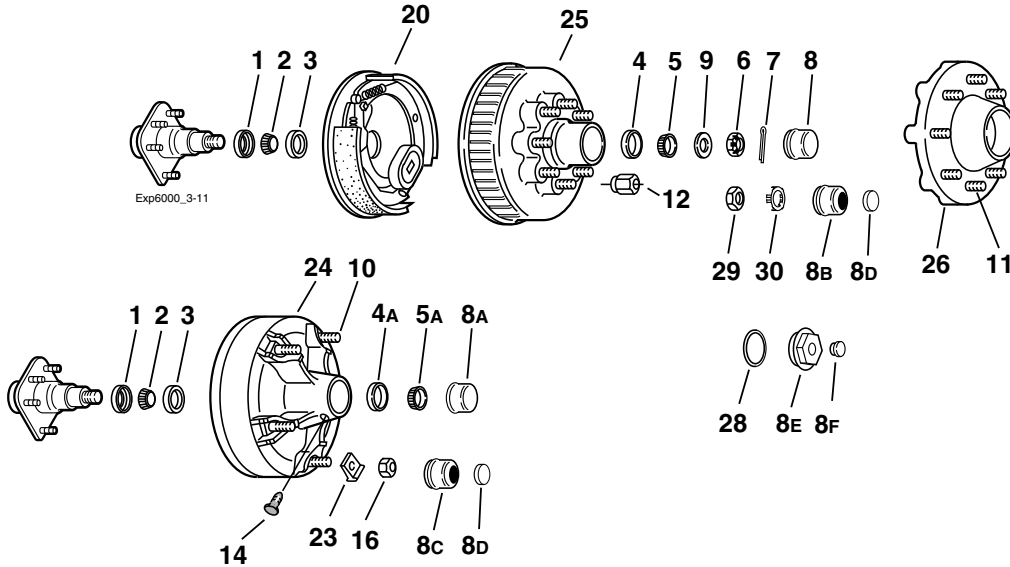
| Attaching Parts Kits |                 | A/P-103-00 | A/P-202-00 <sup>§</sup> | A/P-216-00 <sup>‡</sup> | A/P-302-00 <sup>§</sup> | A/P-316-00 <sup>‡</sup> |
|----------------------|-----------------|------------|-------------------------|-------------------------|-------------------------|-------------------------|
| 006-007-01           | 1/16-18 Locknut | 2          | 4                       | 4                       | 6                       | 6                       |
| 006-011-00           | Keeper Nut      | 2          | 4                       | 4                       | 6                       | 6                       |
| 006-111-00           | Equalizer Nut   | ----       | 2                       | 2                       | 4                       | 4                       |
| 007-001-01           | Equalizer Bolt  | ----       | 2                       | 2                       | 4                       | 4                       |
| 007-007-00           | Keeper Bolt     | 2          | 4                       | 4                       | 6                       | 6                       |
| 007-017-00           | Spring Eye Bolt | 2          | 4                       | 4                       | 6                       | 6                       |
| 013-004-00           | Equalizer       | ----       | 2                       | ----                    | 4                       | ----                    |
| 013-044-01           | Equalizer       | ----       | ----                    | 2                       | ----                    | 4                       |

<sup>§</sup> For 33.5" axle spacing

<sup>‡</sup> For 36" axle spacing

Some combinations of hangers and spring mountings may result in insufficient bump clearance. Refer to the Miscellaneous section for additional hanger kits, A/P kits, or other tires.

# 865 and Demountable Hub Group



## Grease Lube Parts

| Item | Part No.   | Description                                     |
|------|------------|---|
| 1    | 010-054-00 | Grease Seal 2.25"                               |
| 1    | 010-036-00 | E-Z Lube® Seal 2.25"                            |
| 2    | 031-030-02 | 25580 Inner Bearing Cone                        |
| 3    | 031-030-01 | 25520 Inner Bearing Cup                         |
| 4    | 031-017-01 | 14276 Outer Bearing Cup - 865 Hub               |
| 4A   | 031-029-01 | 15245 Outer Bearing Cup - Demountable           |
| 5    | 031-017-02 | 14125A Outer Bearing Cone - 865 Hub             |
| 5A   | 031-029-02 | 15123 Outer Bearing Cone - Demountable          |
| 6    | 006-176-00 | Spindle Nut                                     |
| 7    | 019-002-00 | Cotter Pin (not used with E-Z Lube®)            |
| 8    | 021-039-00 | Grease Cap - 865 Hub                            |
| 8A   | 021-001-00 | Grease Cap - Demountable                        |
| 8B   | 021-043-01 | Grease Cap for E-Z Lube® - 865 Hub              |
| 8B   | 021-043-02 | Grease Cap E-Z Lube® Chrome Option - 865 Hub    |
| 8C   | 021-042-01 | Grease Cap for E-Z Lube® - Demountable          |
| 8C   | 021-042-02 | Grease Cap for E-Z Lube® Chrome Option - Dem.   |
| 8D   | 085-001-00 | E-Z Lube® Rubber Plug                           |
| 9    | 005-057-00 | Spindle Washer                                  |
| 16   | 006-005-00 | 1/16-18 Nut for Rim Clamp                       |
| 23   | 015-002-00 | Rim Clamp                                       |
| 29   | 006-191-00 | Special Jam Nut for E-Z Lube® (after 2002)      |
| 30   | 006-190-00 | Spindle Nut Retainer for E-Z Lube® (after 2002) |

## Oil Lube Parts

| Item | Part No.   | Description                           |
|------|------------|---------------------------------------|
| 1    | 010-063-00 | Oil Seal 2.25"                        |
| 2    | 031-030-02 | 25580 Inner Bearing cone              |
| 3    | 031-030-01 | 25520 Inner Bearing Cup               |
| 4    | 031-017-01 | 14276 Outer Bearing Cup - 865 Hub     |
| 4    | 031-029-01 | 15245 Outer Bearing Cup - Demountable |
| 5    | 031-029-02 | 15123 Outer Bearing Cone              |
| 5    | 031-017-02 | 14125A Outer Bearing Cone             |
| 6    | 006-176-00 | Spindle Nut                           |
| 7    | 019-002-00 | Cotter Pin                            |
| 8E   | 021-035-00 | Oil Cap - 865 Hub                     |
| ns   | 021-040-00 | Oil Cap - Demountable                 |
| 8F   | 046-032-00 | Oil Cap Plug                          |
| 9    | 005-057-00 | Spindle Washer                        |
| 14   | 046-052-00 | Oil Filler Plug - 865 and Demountable |
| ns   | 046-032-00 | Oil Cap Plug                          |
| 16   | 006-005-00 | 1/16-18 Nut for Rim Clamp             |
| 23   | 015-002-00 | Rim Clamp                             |
| 28   | 010-045-00 | 865 'O' Ring                          |
| ns   | 010-059-00 | Demountable 'O' Ring                  |

Note: Spindle is not available for resale.

6 on 5.5 hubs are available on these axles.

See section in 4000-6000 lbs. capacity.

## Hubs

| Item              | Part No.   | Description       | Bolt Circle |
|-------------------|------------|-------------------|-------------|
| <b>Hubs/Drums</b> |            |                   |             |
| 24                | 008-174-05 | Grease 1/16" Stud | Demountable |
| 24                | 008-174-06 | Oil 1/16" Stud    | Demountable |
| 25                | 008-219-04 | Grease 1/2" Stud  | 8 on 6.50   |
| 25                | 008-219-13 | Grease 1/16" Stud | 8 on 6.50   |
| 25                | 008-219-18 | Grease 5/8" Stud  | 8 on 6.50   |
| 25                | 008-219-09 | Oil 1/2" Stud     | 8 on 6.50   |
| 25                | 008-219-20 | Oil 1/16" Stud    | 8 on 6.50   |
| 25                | 008-219-26 | Oil 5/8" Stud     | 8 on 6.50   |
| <b>Plain Hubs</b> |            |                   |             |
| 26                | 008-231-09 | Grease 1/2" Stud  | 8 on 6.50   |
| 26                | 008-231-18 | Grease 1/16" Stud | 8 on 6.50   |
| 26                | 008-231-20 | Grease 5/8" Stud  | 8 on 6.50   |
| 26                | 008-231-16 | Oil 1/2" Stud     | 8 on 6.50   |

## Brakes

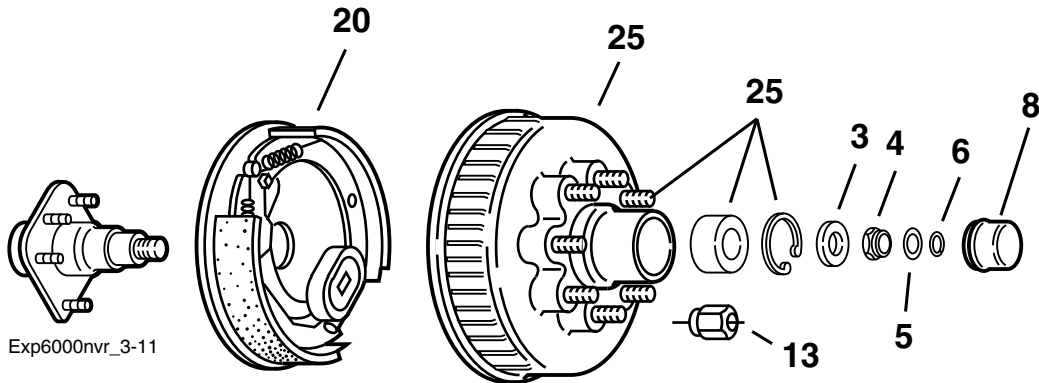
| Item | Part No.              | Description                            |
|------|-----------------------|--|
| 20   | K23-105-00/K23-106-00 | LH/RH Electric 6K                      |
| ns   | K23-112-00/K23-113-00 | LH/RH Electric w/park                  |
| ns   | K23-326-00/K23-327-00 | LH/RH Electric 6K CSA                  |
| ns   | K23-328-00/K23-329-00 | LH/RH Electric 6K CSA w/park           |
| ns   | K23-180-00/K23-181-00 | LH/RH Electric 7K                      |
| ns   | K23-338-00/K23-339-00 | LH/RH Hydraulic Uni-servo 7K           |
| ns   | K23-334-00/K23-335-00 | LH/RH Hydraulic Uni-servo 7K w/park    |
| ns   | K23-336-00/K23-337-00 | LH/RH Hydraulic Duo-servo 7K           |
| ns   | K23-332-00/K23-333-00 | LH/RH Hydraulic Duo-servo 7K w/park    |
| ns   | K23-342-00/K23-343-00 | LH/RH Hydraulic Uni-servo 7K FB        |
| ns   | K23-340-00/K23-341-00 | LH/RH Hydraulic Uni-servo 7K FB w/park |
| ns   | K23-342-01/K23-343-01 | LH/RH Hydraulic Uni-servo 7K FB        |
| ns   | K23-340-01/K23-341-01 | LH/RH Hydraulic Uni-servo 7K FB w/park |
| ns   | K23-458-00/K23-459-00 | LH/RH Electric Nev-R-Adjust®           |
| ns   | K23-466-00/K23-467-00 | LH/RH Electric 6K CSA Nev-R-Adjust®    |

## Studs & Wheel Nuts

| Item | Part No.   | Description   |
|------|------------|---|
| 10   | 025-011-00 | 1/16-18 Stud - UTG                                      |
| 11   | 007-122-00 | 1/2-20 x 1.84 Long Press-in Stud*<br>(hubs before 1/04) |
| 11   | 007-262-00 | 1/2-20 x 2.50 Long Press-in Stud*<br>(hubs after 1/04)  |
| 12   | 006-080-00 | 1/2-20 60° Cone Nut                                     |
| ns   | 007-132-00 | 1/16-18 Press-in Stud                                   |
| ns   | 006-053-00 | 1/16-18 60° Cone Nut                                    |
| ns   | 007-232-00 | 5/8-18 Press-in Stud                                    |
| ns   | 006-109-00 | 5/8-18 60° Cone Nut                                     |

ns - not shown

\* Stud length measured under head to end of stud.



### Nev-R-Lube® Parts

| Item | Part No.   | Description          |
|------|------------|----------------------|
| ns   | 005-147-01 | Spindle Washer, 42mm |
| 3    | 005-149-00 | Spindle Washer, 50mm |
| 4    | 006-183-00 | Spindle Nut          |
| 5    | 092-002-00 | Washer, Torque Label |
| 6    | 069-096-00 | Snap Ring            |
| ns   | 021-085-00 | Grease Cap, 42mm     |
| 8    | 021-086-00 | Grease Cap, 50mm     |

### 12" x 2" Brakes

| Item | Part No.              | Description                          |
|------|-----------------------|--------------------------------------|
| 20   | K23-105-00/K23-106-00 | LH/RH Electric                       |
| ns   | K23-180-00/K23-181-00 | LH/RH Electric 7K                    |
| ns   | K23-338-00/K23-339-00 | LH/RH Hydraulic Uni-servo, 7K        |
| ns   | K23-334-00/K23-335-00 | LH/RH Hydraulic Uni-servo w/park, 7K |
| ns   | K23-336-00/K23-337-00 | LH/RH Hydraulic Duo-servo, 7K        |
| ns   | K23-332-00/K23-333-00 | LH/RH Hydraulic Duo-servo w/park, 7K |
| ns   | K23-342-00/K23-343-00 | LH/RH Hydraulic Free Backing, 7K     |
| ns   | K23-340-00/K23-341-00 | LH/RH Hydraulic 7K FB w/park         |
| ns   | K23-326-00/K23-327-00 | LH/RH Electric 6K CSA                |
| ns   | K23-458-00/K23-459-00 | LH/RH Electric Nev-R-Adjust®         |
| ns   | K23-466-00/K23-467-00 | LH/RH Electric 6K CSA Nev-R-Adjust®  |

ns - not shown

Note: Spindle is not available for resale.

### Hubs With Bearing and Wheel Studs

| Item | Part No.   | Description   | Bolt Circle |
|------|------------|---|-------------|
| ns   | 008-388-80 | Hub and Drum includes:<br>007-122-00 ½-20 Press-in Studs<br>031-073-03 42mm Bearing Cartridge<br>069-095-00 Bearing Retainer    | 6 on 5.50   |
| 25   | 008-385-82 | Hub and Drum includes:<br>007-122-00 ½-20 Press-in Studs<br>031-071-03 50mm Bearing Cartridge<br>069-093-00 Bearing Retainer    | 8 on 6.50   |
| ns   | 008-385-81 | Hub and Drum includes:<br>007-223-00 9/16-18 Press-in Studs<br>031-071-03 50mm Bearing Cartridge<br>069-093-00 Bearing Retainer | 8 on 6.50   |
| ns   | 008-385-80 | Hub and Drum includes:<br>007-224-00 5/8-18 Press-in Studs<br>031-071-03 50mm Bearing Cartridge<br>069-093-00 Bearing Retainer  | 8 on 6.50   |

### Wheel Nuts

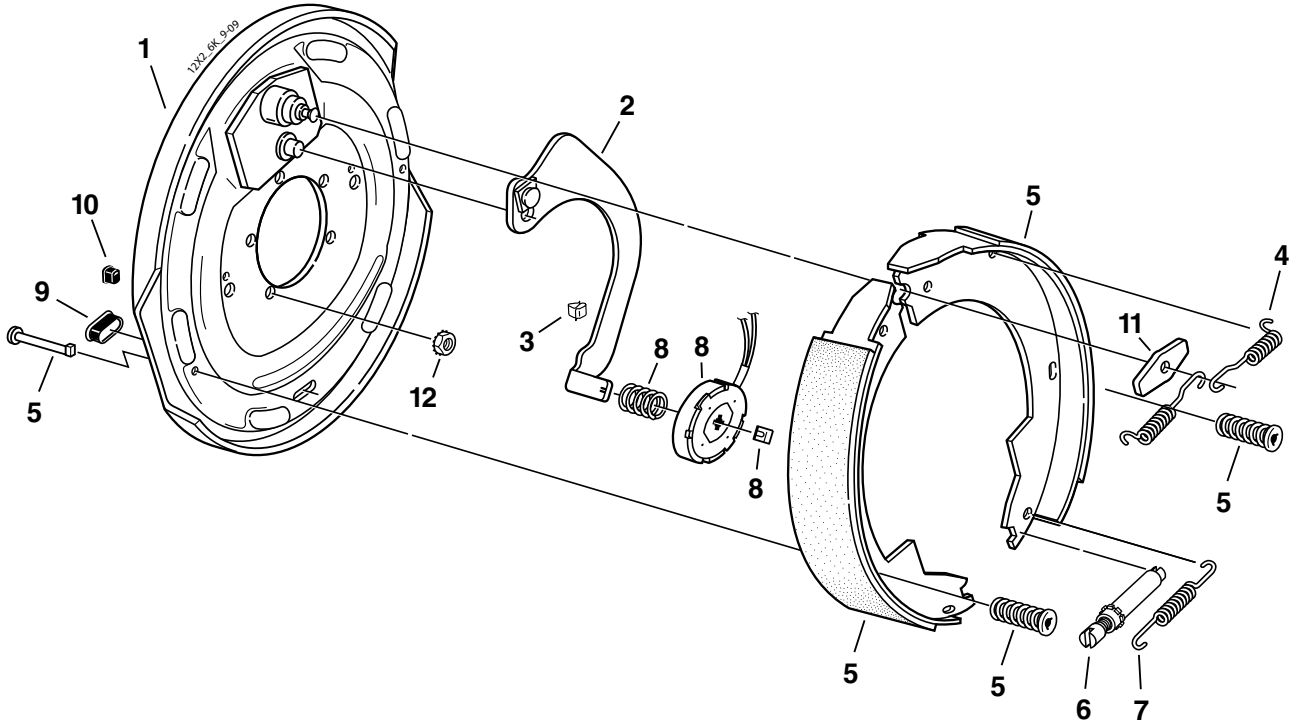
| Item | Part No.   | Description          |
|------|------------|----------------------|
| 13   | 006-080-00 | ½-20 60° Cone Nut    |
| ns   | 006-053-00 | 9/16-18 60° Cone Nut |
| ns   | 006-109-00 | 5/8-18 90° Cone Nut  |

# 12" x 2" Electric Brake



CSA approved at 6000#/14.2 SLR

**5500 - 7000 LBS. CAPACITY**



## Electric Brake 6000# (CSA 5200#)

| Item | Part No.   | Qty/Brk | Description   |
|------|------------|---------|---|
| 0    | K23-105-00 | 1       | LH Complete Brake Assembly  |
| 0    | K23-106-00 | 1       | RH Complete Brake Assembly (shown)  |
| 1    | 036-089-05 | 1       | Backing Plate Assembly  |
| 2    | 047-107-05 | 1       | LH Actuating Lever Arm Assembly   |
| 2    | 047-108-05 | 1       | RH Actuating Lever Arm Assembly   |
| 3    | 027-005-00 | 2       | Wire Clip   |
| 4    | 046-009-00 | 2       | Retractor Spring  |
| 5    | K71-048-00 | 1       | Shoe & Lining Kit Contains:<br>1 #040-044-00 Primary Shoe & Lining<br>1 #040-045-00 Secondary Shoe & Lining<br>2 #049-011-00 Shoe Hold Down Pin #2<br>2 #046-077-00 Shoe Hold Down Spring & Cup |
| 6    | 043-004-00 | 1       | Adjuster Assembly   |
| 7    | 046-018-00 | 1       | Adjusting Screw Spring  |
| 8    | K71-105-00 | 1       | Magnet Kit Contains:<br>1 #042-144-00 Magnet (white wire)<br>1 #027-009-00 Magnet Clip<br>1 #046-080-00 Magnet Spring   |
| 9    | 046-007-00 | 2       | Adjuster Slot Plug  |
| 10   | 046-016-00 | 1       | Wire Grommet  |
| 11   | 005-067-00 | 1       | Anchor Post Washer  |
| *12  | 006-193-00 | 5       | Nut Washer Assembly   |

\* Not included with complete brake assembly. Item sold separately.

## Electric Brake 6000# (CSA 6000#)

| Item | Part No.   | Qty/Brk | Description   |
|------|------------|---------|---|
| 0    | K23-326-00 | 1       | LH Complete Brake Assembly  |
| 0    | K23-327-00 | 1       | RH Complete Brake Assembly  |
| 1    | 036-089-05 | 1       | Backing Plate Assembly  |
| 2    | 047-107-05 | 1       | LH Actuating Lever Arm Assembly   |
| 2    | 047-108-05 | 1       | RH Actuating Lever Arm Assembly   |
| 3    | 027-005-00 | 2       | Wire Clip   |
| 4    | 046-009-00 | 2       | Retractor Spring  |
| 5    | K71-127-00 | 1       | Shoe & Lining Kit Contains:<br>1 #040-215-00 Primary Shoe & Lining<br>1 #040-216-00 Secondary Shoe & Lining<br>2 #049-011-00 Shoe Hold Down Pin #2<br>2 #046-077-00 Shoe Hold Down Spring & Cup |
| 6    | 043-004-00 | 1       | Adjuster Assembly   |
| 7    | 046-018-00 | 1       | Adjusting Screw Spring  |
| 8    | K71-105-00 | 1       | Magnet Kit Contains:<br>1 #042-144-00 Magnet (white wire)<br>1 #027-009-00 Magnet Clip<br>1 #046-080-00 Magnet Spring   |
| 9    | 046-007-00 | 2       | Adjuster Slot Plug  |
| 10   | 046-016-00 | 1       | Wire Grommet  |
| 11   | 005-067-00 | 1       | Anchor Post Washer  |
| *12  | 006-193-00 | 5       | Nut Washer Assembly   |

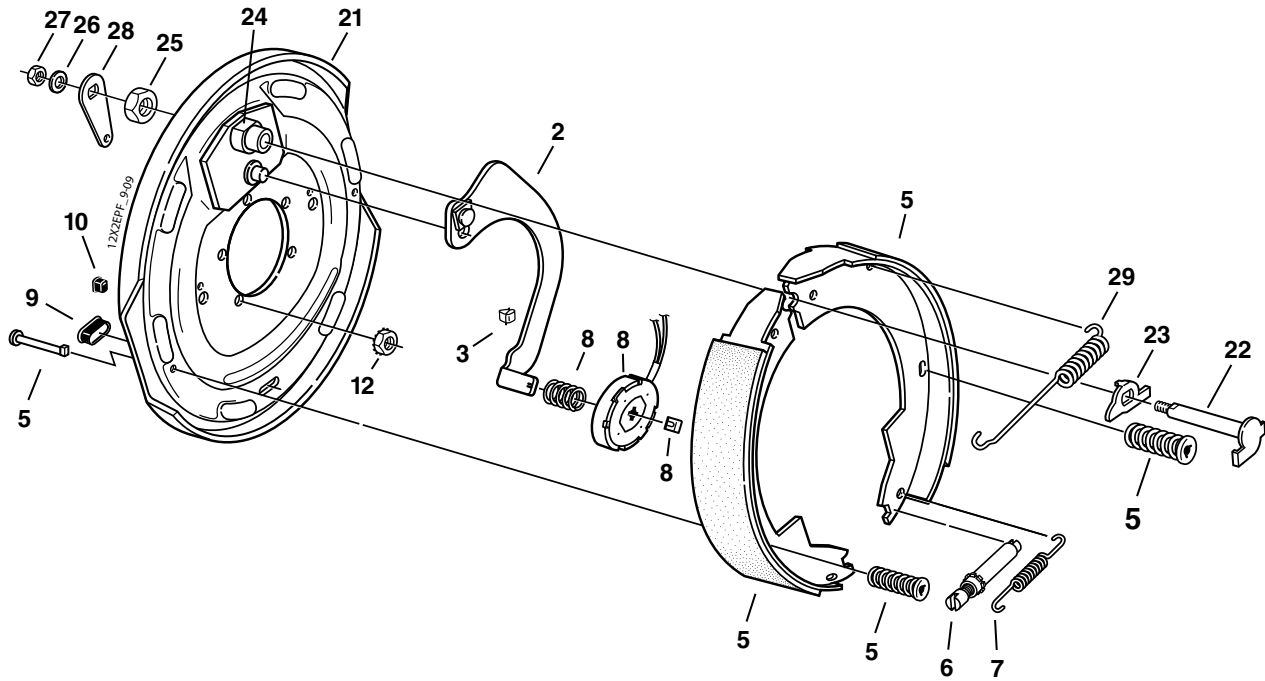
**These brakes are rated to a maximum capacity of 6000 lbs. / pair**

# 12" x 2" Electric Brake With Parking Feature



CSA approved at 6000#/14.2 SLR

**5500 - 7000 LBS. CAPACITY**



## Electric Parking Brake 6000# (CSA 5200#)

| Item | Part No.   | Qty/Brk | Description   |
|------|------------|---------|---|
| 0    | K23-112-00 | 1       | LH Complete Brake Assembly  |
| 0    | K23-113-00 | 1       | RH Complete Brake Assembly (shown)  |
| 2    | 047-107-05 | 1       | LH Actuating Lever Arm Assembly   |
| 2    | 047-108-05 | 1       | RH Actuating Lever Arm Assembly   |
| 3    | 027-005-00 | 2       | Wire Clip   |
| 5    | K71-048-00 | 1       | Shoe & Lining Kit Contains:<br>1 #040-044-00 Primary Shoe & Lining<br>1 #040-045-00 Secondary Shoe & Lining<br>2 #049-011-00 Shoe Hold Down Pin #2<br>2 #046-077-00 Shoe Hold Down Spring & Cup |
| 6    | 043-004-00 | 1       | Adjuster Assembly   |
| 7    | 046-018-00 | 1       | Adjusting Screw Spring  |
| 8    | K71-105-00 | 1       | Magnet Kit Contains:<br>1 #042-144-00 Magnet (white wire)<br>1 #027-009-00 Magnet Clip<br>1 #046-080-00 Magnet Spring   |
| 9    | 046-007-00 | 2       | Adjuster Slot Plug  |
| 10   | 046-016-00 | 1       | Wire Grommet  |
| *12  | 006-193-00 | 5       | Nut Washer Assembly   |
| 20   | 036-089-08 | 1       | LH Backing Plate Assembly Complete<br>(includes #21-28)   |
| 20   | 036-089-09 | 1       | RH Backing Plate Assembly Complete<br>(includes #21-28)   |
| 21   | 036-089-06 | 1       | LH Backing Plate Assembly   |
| 21   | 036-089-07 | 1       | RH Backing Plate Assembly   |
| 22   | 039-025-00 | 1       | LH Pivot Pin & Cam Sub-Assembly   |
| 22   | 039-026-00 | 1       | RH Pivot Pin & Cam Sub-Assembly   |
| 23   | 039-048-00 | 1       | LH Actuating Cam  |
| 23   | 039-049-00 | 1       | RH Actuating Cam  |
| 24   | 038-068-00 | 1       | Anchor Post & Bushing Sub-Assembly  |
| 25   | 006-047-00 | 1       | Anchor Post Locknut   |
| 26   | 005-041-00 | 1       | Washer  |
| 27   | 006-011-00 | 1       | Pivot Pin Locknut   |
| 28   | 047-070-00 | 1       | Parking Brake Lever   |
| 29   | 046-005-00 | 1       | Retractor Spring  |

\* Not included with complete brake assembly. Item sold separately.

## Electric Parking Brake 6000# (CSA 6000#)

| Item | Part No.   | Qty/Brk | Description   |
|------|------------|---------|---|
| 0    | K23-328-00 | 1       | LH Complete Brake Assembly  |
| 0    | K23-329-00 | 1       | RH Complete Brake Assembly  |
| 2    | 047-107-05 | 1       | LH Actuating Lever Arm Assembly   |
| 2    | 047-108-05 | 1       | RH Actuating Lever Arm Assembly   |
| 3    | 027-005-00 | 2       | Wire Clip   |
| 5    | K71-127-00 | 1       | Shoe & Lining Kit Contains:<br>1 #040-215-00 Primary Shoe & Lining<br>1 #040-216-00 Secondary Shoe & Lining<br>2 #049-011-00 Shoe Hold Down Pin #2<br>2 #046-077-00 Shoe Hold Down Spring & Cup |
| 6    | 043-004-00 | 1       | Adjuster Assembly   |
| 7    | 046-018-00 | 1       | Adjusting Screw Spring  |
| 8    | K71-105-00 | 1       | Magnet Kit Contains:<br>1 #042-144-00 Magnet (white wire)<br>1 #027-009-00 Magnet Clip<br>1 #046-080-00 Magnet Spring   |
| 9    | 046-007-00 | 2       | Adjuster Slot Plug  |
| 10   | 046-016-00 | 1       | Wire Grommet  |
| *12  | 006-193-00 | 5       | Nut Washer Assembly   |
| 20   | 036-089-08 | 1       | LH Backing Plate Assembly Complete<br>(includes #21-28)   |
| 20   | 036-089-09 | 1       | RH Backing Plate Assembly Complete<br>(includes #21-28)   |
| 21   | 036-089-06 | 1       | LH Backing Plate Assembly   |
| 21   | 036-089-07 | 1       | RH Backing Plate Assembly   |
| 22   | 039-025-00 | 1       | LH Pivot Pin & Cam Sub-Assembly   |
| 22   | 039-026-00 | 1       | RH Pivot Pin & Cam Sub-Assembly   |
| 23   | 039-048-00 | 1       | LH Actuating Cam  |
| 23   | 039-049-00 | 1       | RH Actuating Cam  |
| 24   | 038-068-00 | 1       | Anchor Post & Bushing Sub-Assembly  |
| 25   | 006-047-00 | 1       | Anchor Post Locknut   |
| 26   | 005-041-00 | 1       | Washer  |
| 27   | 006-011-00 | 1       | Pivot Pin Locknut   |
| 28   | 047-070-00 | 1       | Parking Brake Lever   |
| 29   | 046-005-00 | 1       | Retractor Spring  |

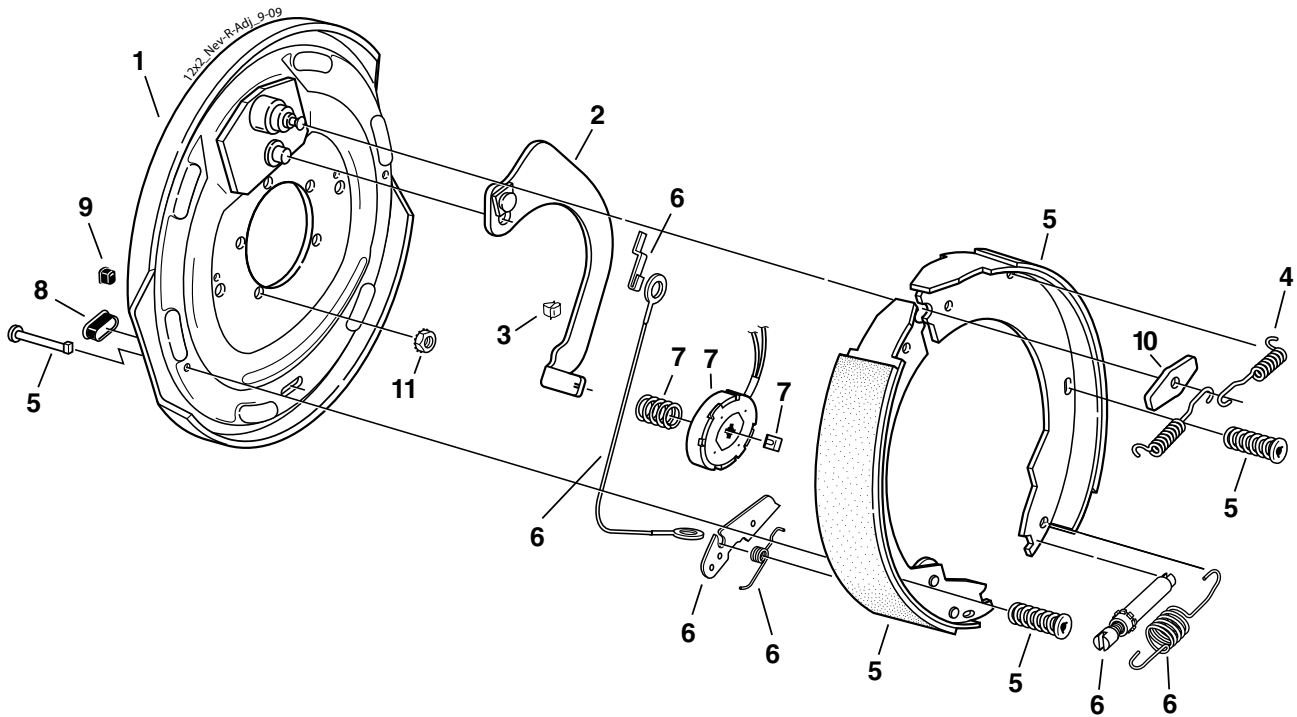
**These brakes are rated to a maximum capacity of 6000 lbs. / pair**

# 12" x 2" Nev-R-Adjust® Electric Brake



CSA approved at 6000#/14.2 SLR

**5500 - 7000 LBS. CAPACITY**



## Electric Brake 6000#

| Item | Part No.   | Qty/Brk | Description  |
|------|------------|---------|--|
| 0    | K23-458-00 | 1       | LH Complete Brake Assembly   |
| 0    | K23-459-00 | 1       | RH Complete Brake Assembly (shown)   |
| 1    | 036-089-05 | 1       | Backing Plate Assembly   |
| 2    | 047-107-05 | 1       | LH Actuating Lever Arm Assembly  |
| 2    | 047-108-05 | 1       | RH Actuating Lever Arm Assembly  |
| 3    | 027-005-00 | 2       | Wire Clip  |
| 4    | 046-009-00 | 2       | Retractor Spring   |
| 5    | K71-673-00 | 1       | LH Shoe & Lining Kit Contains:<br>1 #040-044-00 Primary Shoe & Lining<br>1 #040-045-03 Secondary Shoe & Lining<br>2 #049-011-00 Shoe Hold Down Pin #2<br>2 #046-077-00 Shoe Hold Down Spring & Cup   |
| 5    | K71-674-00 | 1       | RH Shoe & Lining Kit Contains:<br>1 #040-044-00 Primary Shoe & Lining<br>1 #040-045-04 Secondary Shoe & Lining<br>2 #049-011-00 Shoe Hold Down Pin #2<br>2 #046-077-00 Shoe Hold Down Spring & Cup   |
| 6    | K71-679-00 | 1       | LH & RH Brake Adjuster Kit Contains:<br>2 #046-139-00 Adjusting Screw Spring<br>1 #046-140-00 LH Lever Spring<br>1 #046-141-00 RH Lever Spring<br>1 #048-022-00 LH Adjuster Assembly<br>1 #048-023-00 RH Adjuster Assembly<br>2 #071-528-00 Adjuster Cable<br>2 #071-529-00 Hook for Cable<br>1 #071-530-01 LH Adjusting Lever<br>1 #071-530-02 RH Adjusting Lever |
| 7    | K71-105-00 | 1       | Magnet Kit Contains:<br>1 #042-144-00 Magnet (white wire)<br>1 #027-009-00 Magnet Clip<br>1 #046-080-00 Magnet Spring  |
| 8    | 046-007-00 | 2       | Adjuster Slot Plug   |
| 9    | 046-016-00 | 1       | Wire Grommet   |
| 10   | 005-067-00 | 1       | Anchor Post Washer   |
| *11  | 006-193-00 | 5       | Nut Washer Assembly  |

\* Not included with complete brake assembly. Item sold separately.

## Electric Brake 6000# (CSA 6000#)

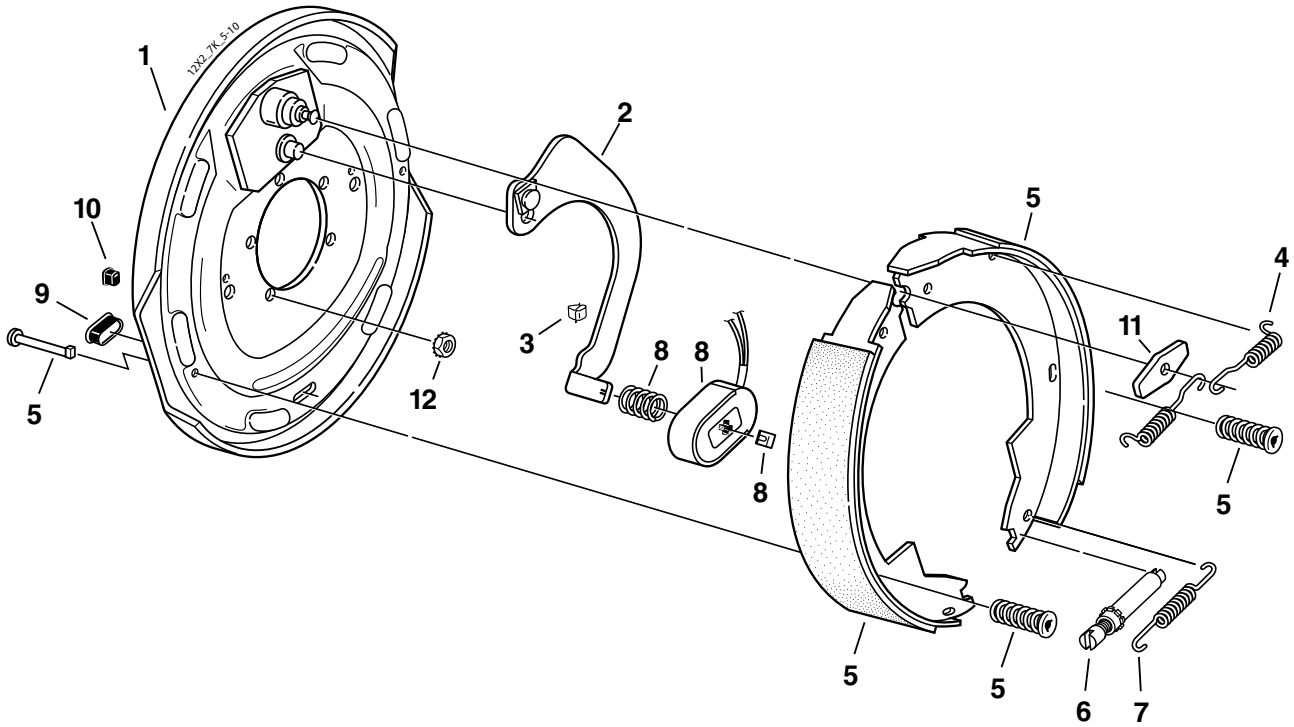
| Item | Part No.   | Qty/Brk | Description  |
|------|------------|---------|--|
| 0    | K23-466-00 | 1       | LH Complete Brake Assembly   |
| 0    | K23-467-00 | 1       | RH Complete Brake Assembly (shown)   |
| 1    | 036-089-05 | 1       | Backing Plate Assembly   |
| 2    | 047-107-05 | 1       | LH Actuating Lever Arm Assembly  |
| 2    | 047-108-05 | 1       | RH Actuating Lever Arm Assembly  |
| 3    | 027-005-00 | 2       | Wire Clip  |
| 4    | 046-009-00 | 2       | Retractor Spring   |
| 5    | K71-675-00 | 1       | LH Shoe & Lining Kit Contains:<br>1 #040-215-00 Primary Shoe & Lining<br>1 #040-216-01 Secondary Shoe & Lining<br>2 #049-011-00 Shoe Hold Down Pin #2<br>2 #046-077-00 Shoe Hold Down Spring & Cup   |
| 5    | K71-676-00 | 1       | RH Shoe & Lining Kit Contains:<br>1 #040-215-00 Primary Shoe & Lining<br>1 #040-216-02 Secondary Shoe & Lining<br>2 #049-011-00 Shoe Hold Down Pin #2<br>2 #046-077-00 Shoe Hold Down Spring & Cup   |
| 6    | K71-679-00 | 1       | LH & RH Brake Adjuster Kit Contains:<br>2 #046-139-00 Adjusting Screw Spring<br>1 #046-140-00 LH Lever Spring<br>1 #046-141-00 RH Lever Spring<br>1 #048-022-00 LH Adjuster Assembly<br>1 #048-023-00 RH Adjuster Assembly<br>2 #071-528-00 Adjuster Cable<br>2 #071-529-00 Hook for Cable<br>1 #071-530-01 LH Adjusting Lever<br>1 #071-530-02 RH Adjusting Lever |
| 7    | K71-105-00 | 1       | Magnet Kit Contains:<br>1 #042-144-00 Magnet (white wire)<br>1 #027-009-00 Magnet Clip<br>1 #046-080-00 Magnet Spring  |
| 8    | 046-007-00 | 2       | Adjuster Slot Plug   |
| 9    | 046-016-00 | 1       | Wire Grommet   |
| 10   | 005-067-00 | 1       | Anchor Post Washer   |
| *11  | 006-193-00 | 5       | Nut Washer Assembly  |

# 12" x 2" 7K Electric Brake



CSA approved at 7000#/13.8 SLR

**5500 - 7000 LBS. CAPACITY**



## Electric Brake 7000#

| Item | Part No.   | Qty/Brk | Description   |
|------|------------|---------|---|
| 0    | K23-180-00 | 1       | LH Complete Brake Assembly  |
| 0    | K23-181-00 | 1       | RH Complete Brake Assembly (shown)  |
| 1    | 036-089-10 | 1       | Backing Plate Assembly  |
| 2    | 047-107-05 | 1       | LH Actuating Lever Arm Assembly   |
| 2    | 047-108-05 | 1       | RH Actuating Lever Arm Assembly   |
| 3    | 027-005-00 | 2       | Wire Clip   |
| 4    | 046-009-00 | 2       | Retractor Spring  |
| 5    | K71-127-00 | 1       | Shoe & Lining Kit Contains:<br>1 #040-215-00 Primary Shoe & Lining<br>1 #040-216-00 Secondary Shoe & Lining<br>2 #049-011-00 Shoe Hold Down Pin #2<br>2 #046-077-00 Shoe Hold Down Spring & Cup |
| 6    | 043-004-00 | 1       | Adjuster Assembly   |
| 7    | 046-018-00 | 1       | Adjusting Screw Spring  |
| 8    | K71-125-00 | 1       | Magnet Kit Contains:<br>1 #042-143-00 Magnet (black wire)<br>1 #027-009-00 Magnet Clip<br>1 #046-080-00 Magnet Spring   |
| 9    | 046-007-00 | 2       | Adjuster Slot Plug  |
| 10   | 046-016-00 | 1       | Wire Grommet  |
| 11   | 005-067-00 | 1       | Anchor Post Washer  |
| *12  | 006-193-00 | 5       | Nut Washer Assembly   |

\* Not included with complete brake assembly. Item sold separately.

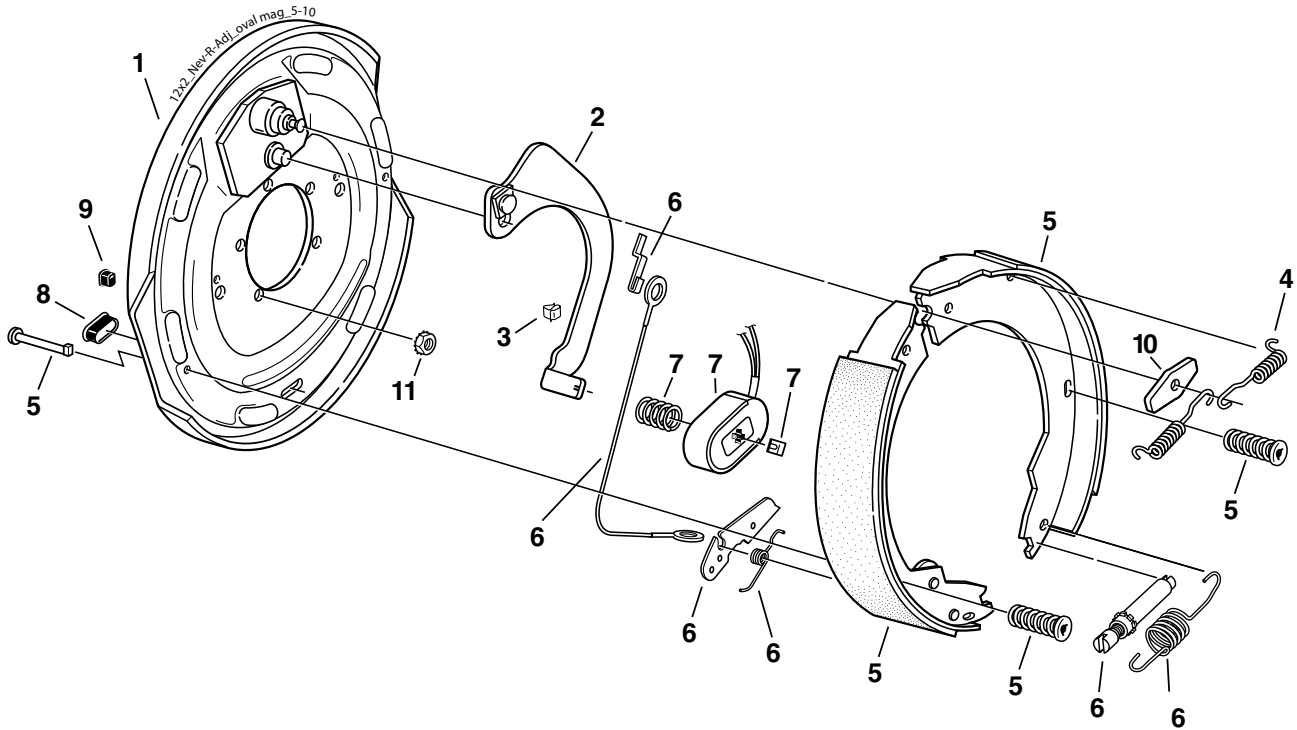


# 12" x 2" 7K Nev-R-Adjust® Electric Brake



CSA approved at 7000#/13.8 SLR

**5500 - 7000 LBS. CAPACITY**



## Electric Brake 7000#

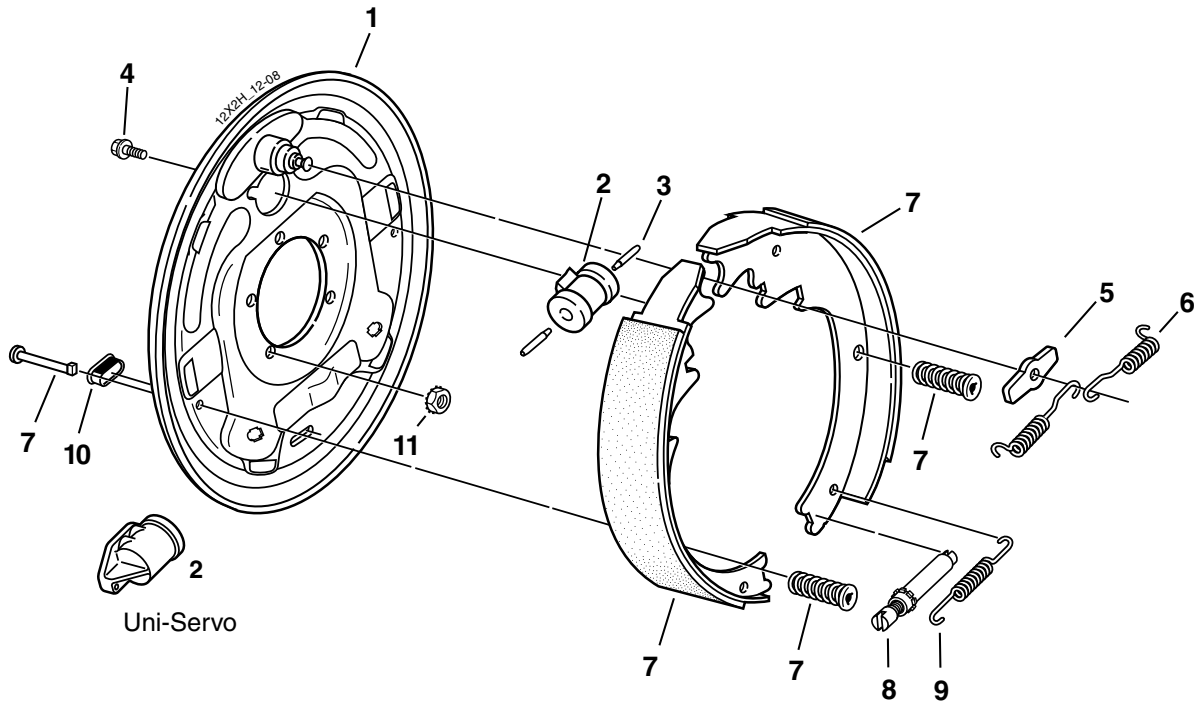
| Item | Part No.   | Qty/Brk | Description  |
|------|------------|---------|--|
| 0    | K23-464-00 | 1       | LH Complete Brake Assembly   |
| 0    | K23-465-00 | 1       | RH Complete Brake Assembly (shown)   |
| 1    | 036-089-10 | 1       | Backing Plate Assembly   |
| 2    | 047-107-05 | 1       | LH Actuating Lever Arm Assembly  |
| 2    | 047-108-05 | 1       | RH Actuating Lever Arm Assembly  |
| 3    | 027-005-00 | 2       | Wire Clip  |
| 4    | 046-009-00 | 2       | Retractor Spring   |
| 5    | K71-675-00 | 1       | LH Shoe & Lining Kit Contains:<br>1 #040-215-00 Primary Shoe & Lining<br>1 #040-216-01 Secondary Shoe & Lining<br>2 #049-011-00 Shoe Hold Down Pin #2<br>2 #046-077-00 Shoe Hold Down Spring & Cup   |
| 5    | K71-676-00 | 1       | RH Shoe & Lining Kit Contains:<br>1 #040-215-00 Primary Shoe & Lining<br>1 #040-216-02 Secondary Shoe & Lining<br>2 #049-011-00 Shoe Hold Down Pin #2<br>2 #046-077-00 Shoe Hold Down Spring & Cup   |
| 6    | K71-679-00 | 1       | LH & RH Brake Adjuster Kit Contains:<br>2 #046-139-00 Adjusting Screw Spring<br>1 #046-140-00 LH Lever Spring<br>1 #046-141-00 RH Lever Spring<br>1 #048-022-00 LH Adjuster Assembly<br>1 #048-023-00 RH Adjuster Assembly<br>2 #071-528-00 Adjuster Cable<br>2 #071-529-00 Hook for Cable<br>1 #071-530-01 LH Adjusting Lever<br>1 #071-530-02 RH Adjusting Lever |
| 7    | K71-125-00 | 1       | Magnet Kit Contains:<br>1 #042-143-00 Magnet (black wire)<br>1 #027-009-00 Magnet Clip<br>1 #046-080-00 Magnet Spring  |
| 8    | 046-007-00 | 2       | Adjuster Slot Plug   |
| 9    | 046-016-00 | 1       | Wire Grommet   |
| 10   | 005-067-00 | 1       | Anchor Post Washer   |
| *11  | 006-193-00 | 5       | Nut Washer Assembly  |

\* Not included with complete brake assembly. Item sold separately.

# 12" x 2" Hydraulic Brake



**5500 - 7000 LBS. CAPACITY**



**Note:** Uni-Servo brakes to be used with surge actuator

## Hydraulic Brake 7000#

| Item | Part No.   | Qty/Brk | Description  |
|------|------------|---------|--|
| 0    | K23-338-00 | 1       | LH Complete Brake Assembly-US  |
| 0    | K23-339-00 | 1       | RH Complete Brake Assembly-US (shown)  |
| 0    | K23-336-00 | 1       | LH Complete Brake Assembly-DS  |
| 0    | K23-337-00 | 1       | RH Complete Brake Assembly-DS (shown)  |
| 1    | 036-093-08 | 1       | Backing Plate Assembly   |
| 2    | 054-064-00 | 1       | LH Brake Cylinder Uni-Servo  |
| 2    | 054-065-00 | 1       | RH Brake Cylinder Uni-Servo  |
| 2    | 054-062-00 | 1       | LH Brake Cylinder Duo-Servo  |
| 2    | 054-063-00 | 1       | RH Brake Cylinder Duo-Servo  |
| 3    | 054-060-00 | 1 or 2  | Cylinder Push Rod US (1) DS (2)  |
| 4    | 087-001-00 | 2       | Sems (screw & washer assembly)   |
| 5    | 005-113-00 | 1       | Anchor Post Washer   |
| 6    | 046-101-00 | 2       | Retractor Spring   |
| 7    | K71-269-00 | 1       | LH Shoe & Lining Kit Contains:<br>1 #040-219-00 LH Primary Shoe & Lining<br>1 #040-218-02 LH Secondary Shoe & Lining<br>2 #046-077-00 Shoe Hold Down Spring & Cup<br>2 #049-012-00 Shoe Hold Down Pin #4 |
| 7    | K71-270-00 | 1       | RH Shoe & Lining Kit Contains:<br>1 #040-219-00 RH Primary Shoe & Lining<br>1 #040-218-01 RH Secondary Shoe & Lining<br>2 #046-077-00 Shoe Hold Down Spring & Cup<br>2 #049-012-00 Shoe Hold Down Pin #4 |
| 8    | 043-029-00 | 1       | Adjuster Assembly  |
| 9    | 046-102-00 | 1       | Adjusting Screw Spring   |
| 10   | 046-007-00 | 1       | Adjuster Slot Plug   |
| *11  | 006-193-00 | 5       | Nut Washer Assembly  |
| ns   | 054-089-00 | 1       | Bleeder Screw (included with item #2)  |

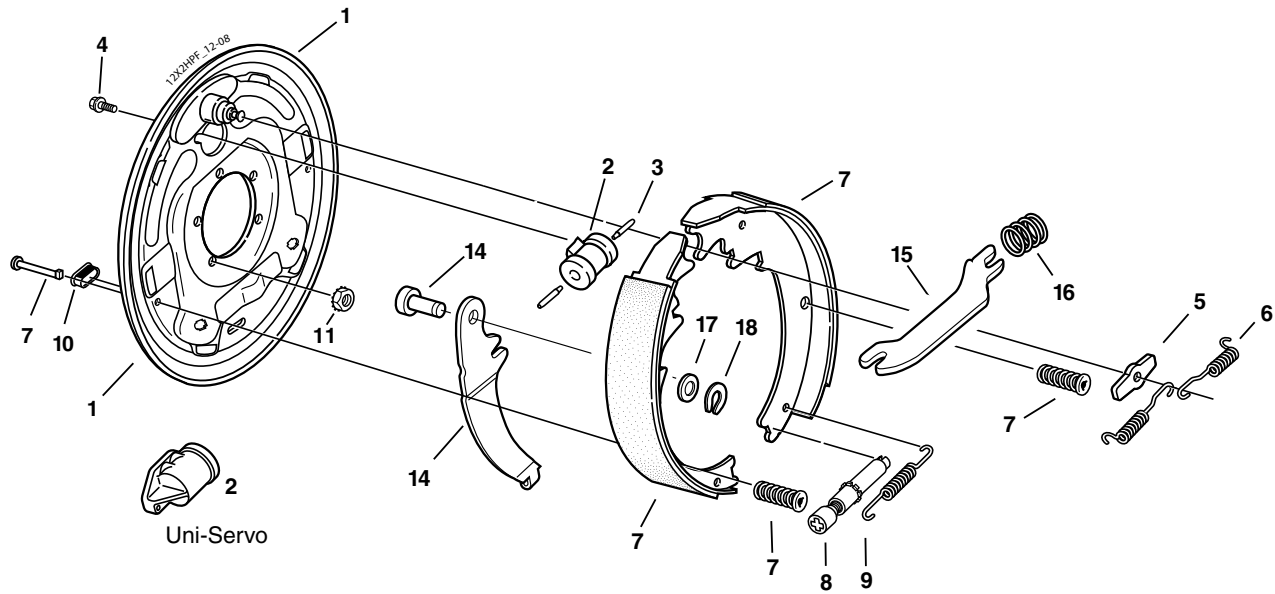
ns - not shown

\* Not included with complete brake assembly. Item sold separately.

# 12" x 2" Hydraulic Brake With Parking Feature



**5500 - 7000 LBS. CAPACITY**



**Note:** Uni-Servo brakes to be used with surge actuator

## Hydraulic Parking Brake 7000#

| Item | Part No.   | Qty/Brk | Description  |
|------|------------|---------|--|
| 0    | K23-332-00 | 1       | LH Complete Brake Assembly-DS  |
| 0    | K23-333-00 | 1       | RH Complete Brake Assembly-DS (shown)  |
| 0    | K23-334-00 | 1       | LH Complete Brake Assembly-US  |
| 0    | K23-335-00 | 1       | RH Complete Brake Assembly-US (shown)  |
| 1    | 036-093-15 | 1       | LH Backing Plate Assembly  |
| 1    | 036-093-16 | 1       | RH Backing Plate Assembly  |
| 2    | 054-062-00 | 1       | LH Brake Cylinder Duo-Servo  |
| 2    | 054-063-00 | 1       | RH Brake Cylinder Duo-Servo  |
| 2    | 054-064-00 | 1       | LH Brake Cylinder Uni-Servo  |
| 2    | 054-065-00 | 1       | RH Brake Cylinder Uni-Servo  |
| 3    | 054-060-00 | 1 or 2  | Cylinder Push Rod US (1) DS (2)  |
| 4    | 087-001-00 | 2       | Sems (screw & washer assembly)   |
| 5    | 005-113-00 | 1       | Anchor Post Washer   |
| 6    | 046-101-00 | 2       | Retractor Spring   |
| 7    | K71-269-00 | 1       | LH Shoe & Lining Kit Contains:<br>1 #040-219-00 Primary Shoe & Lining<br>1 #040-218-02 Secondary Shoe & Lining<br>2 #046-077-00 Shoe Hold Down Spring & Cup<br>2 #049-012-00 Shoe Hold Down Pin #4 |
| 7    | K71-270-00 | 1       | RH Shoe & Lining Kit Contains:<br>1 #040-219-00 Primary Shoe & Lining<br>1 #040-218-01 Secondary Shoe & Lining<br>2 #046-077-00 Shoe Hold Down Spring & Cup<br>2 #049-012-00 Shoe Hold Down Pin #4 |
| 8    | 043-029-00 | 1       | Adjuster Assembly  |
| 9    | 046-102-00 | 1       | Adjusting Screw Spring   |
| 10   | 046-007-00 | 1       | Adjuster Slot Plug   |
| *11  | 006-193-00 | 5       | Nut Washer Assembly  |
| 14   | 047-110-01 | 1       | LH Parking Lever and Pin   |
| 14   | 047-111-01 | 1       | RH parking Lever and Pin   |
| 15   | 047-109-00 | 1       | Parking Strut  |
| 16   | 046-103-00 | 1       | Parking Strut Spring   |
| 17   | 005-112-00 | 1       | Spring Tension Washer  |
| 18   | 069-055-00 | 1       | Retainer   |
| ns   | 054-089-00 | 1       | Bleeder Screw (included with item #2)  |
| *ns  | 071-515-00 | 1       | Park Brake Cable   |

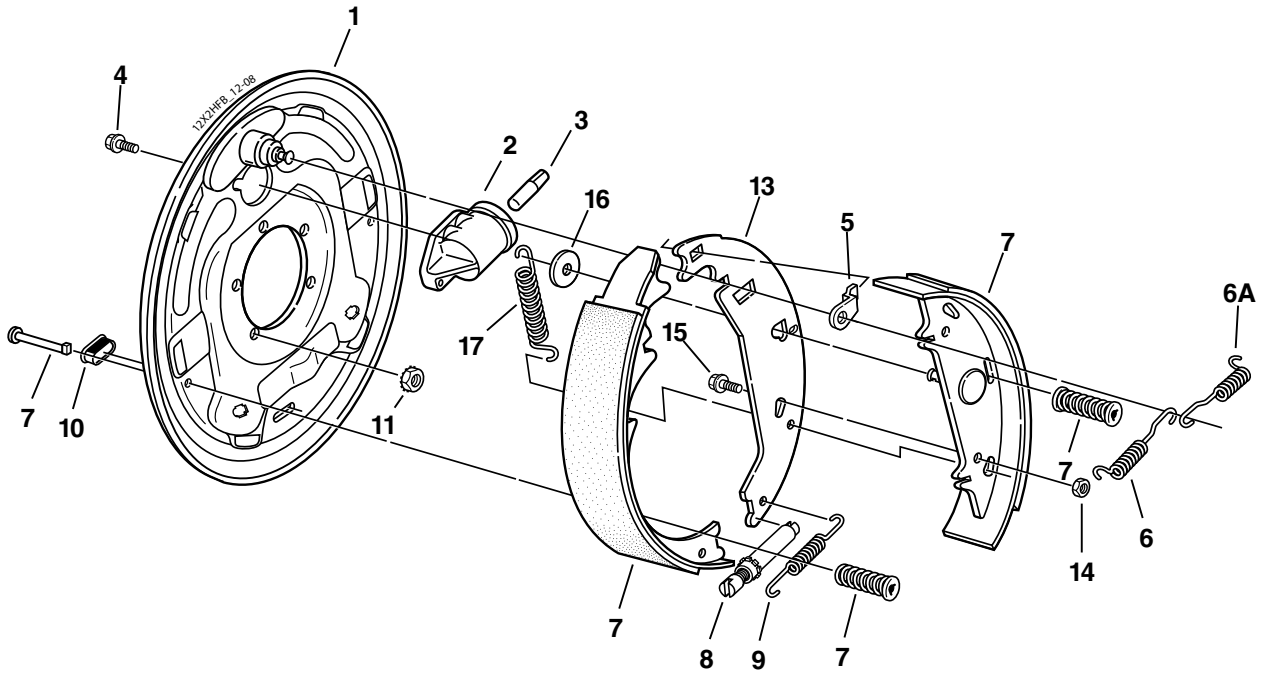
ns - not shown

\* Not included with complete brake assembly. Item sold separately.

# 12" x 2" Hydraulic Brake Free Backing



**5500 - 7000 LBS. CAPACITY**



**Note:** Uni-Servo brakes to be used with surge actuator

## Hydraulic Free Backing Brake

| Item | Part No.      | Qty/Brk | Description                           |
|------|---------------|---------|---------------------------------------|
| 0    | K23-342-00    | 1       | LH Complete Brake Assembly            |
| 0    | K23-343-00    | 1       | RH Complete Brake Assembly (shown)    |
| 1    | 036-093-08    | 1       | Backing Plate Assembly                |
| 2    | 054-064-00    | 1       | LH Brake Cylinder Uni-Servo           |
| 2    | 054-065-00    | 1       | RH Brake Cylinder Uni-Servo           |
| 3    | 054-060-00    | 1       | Cylinder Push Rod                     |
| 4    | 087-001-00    | 2       | Sems (screw & washer assembly)        |
| 5    | 037-069-02    | 1       | Travel Link                           |
| 6    | 046-101-00    | 1       | Retractor Spring                      |
| 6A   | 046-107-01    | 1       | Shoe Lever Return Spring              |
| 7    | K71-394-00    | 1       | LH Shoe & Lining Kit Contains:        |
|      | 1 #040-243-08 |         | LH Primary Shoe & Lining              |
|      | 1 #040-315-02 |         | LH Secondary Shoe & Lining            |
|      | 1 #046-077-00 |         | Shoe Hold Down Spring & Cup-Sec.      |
|      | 2 #035-001-00 |         | Shoe Hold Down Cup-Primary            |
|      | 1 #046-006-00 |         | Shoe Hold Down Spring-Primary         |
|      | 1 #049-013-00 |         | Shoe Hold Down Pin #1-Primary         |
|      | 1 #049-002-00 |         | Shoe Hold Down Pin #8-Sec.            |
| 7    | K71-395-00    | 1       | RH Shoe & Lining Kit Contains:        |
|      | 1 #040-243-09 |         | RH Primary Shoe & Lining              |
|      | 1 #040-315-01 |         | RH Secondary Shoe & Lining            |
|      | 1 #046-077-00 |         | Shoe Hold Down Spring & Cup-Sec.      |
|      | 2 #035-001-00 |         | Shoe Hold Down Cup-Primary            |
|      | 1 #046-006-00 |         | Shoe Hold Down Spring-Primary         |
|      | 1 #049-013-00 |         | Shoe Hold Down Pin #1-Primary         |
|      | 1 #049-002-00 |         | Shoe Hold Down Pin #8-Sec.            |
| 8    | 043-028-00    | 1       | Adjuster Assembly                     |
| 9    | 046-123-00    | 1       | Adjusting Screw Spring                |
| 10   | 046-007-00    | 1       | Adjuster Slot Plug                    |
| *11  | 006-193-00    | 5       | Nut Washer Assembly                   |
| 13   | 040-244-01    | 1       | Shoe Lever                            |
| 14   | 006-011-00    | 1       | Locknut                               |
| 15   | 007-210-00    | 1       | Screw                                 |
| 16   | 005-064-00    | 1       | Washer                                |
| 17   | 046-108-01    | 1       | Primary Shoe Return Spring            |
| ns   | 054-089-00    | 1       | Bleeder Screw (included with item #2) |

ns - not shown

\* Not included with complete brake assembly. Item sold separately.

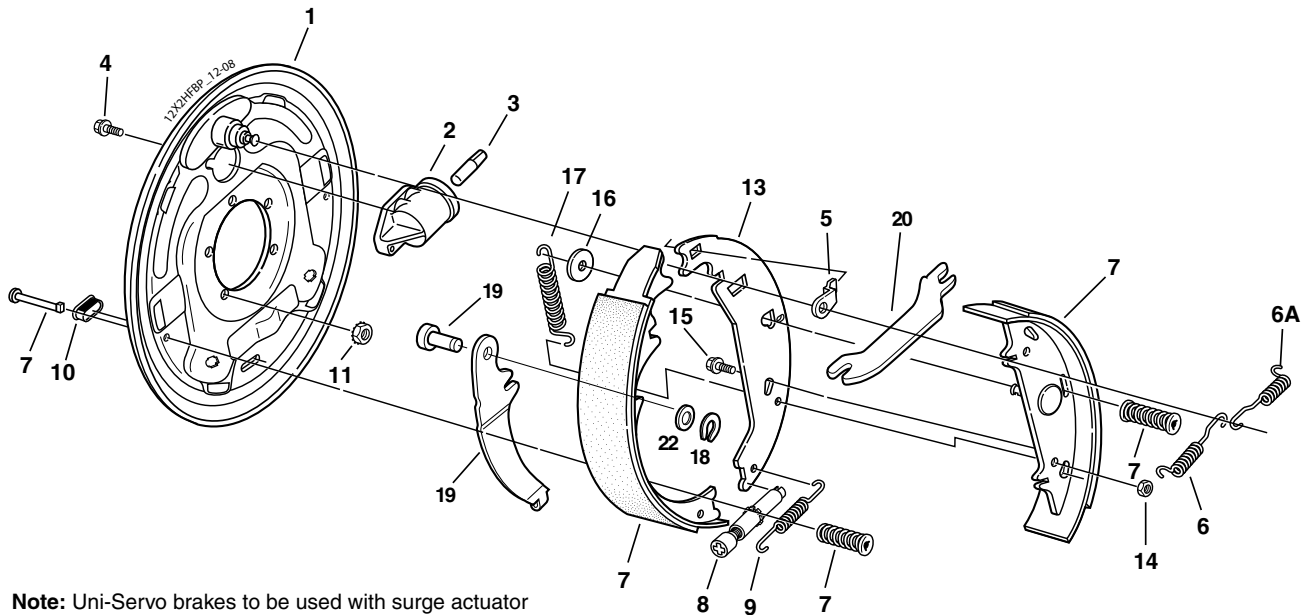
## Hydraulic Free Backing Brake Corrosion Resistant

| Item | Part No.      | Qty/Brk | Description                           |
|------|---------------|---------|---------------------------------------|
| 0    | K23-342-01    | 1       | LH Complete Brake Assembly            |
| 0    | K23-343-01    | 1       | RH Complete Brake Assembly            |
| 1    | 036-093-09    | 1       | Backing Plate Assembly                |
| 2    | 054-064-01    | 1       | LH Brake Cylinder Uni-Servo           |
| 2    | 054-065-01    | 1       | RH Brake Cylinder Uni-Servo           |
| 3    | 054-060-00    | 1       | Cylinder Push Rod                     |
| 4    | 087-001-00    | 2       | Sems (screw & washer assembly)        |
| 5    | 037-069-02    | 1       | Travel Link                           |
| 6    | 046-101-00    | 1       | Retractor Spring                      |
| 6A   | 046-107-03    | 1       | Shoe Lever Return Spring              |
| 7    | K71-427-00    | 1       | LH Shoe & Lining Kit Contains:        |
|      | 1 #040-243-06 |         | LH Primary Shoe & Lining              |
|      | 1 #040-315-06 |         | LH Secondary Shoe & Lining            |
|      | 1 #046-077-01 |         | Shoe Hold Down Spring & Cup-Sec.      |
|      | 2 #035-001-00 |         | Shoe Hold Down Cup-Primary            |
|      | 1 #046-006-01 |         | Shoe Hold Down Spring & Cup-Prim.     |
|      | 1 #049-013-00 |         | Shoe Hold Down Pin #1-Primary         |
|      | 1 #049-002-00 |         | Shoe Hold Down Pin #8-Sec.            |
| 7    | K71-428-00    | 1       | RH Shoe & Lining Kit Contains:        |
|      | 1 #040-243-07 |         | RH Primary Shoe & Lining              |
|      | 1 #040-315-05 |         | RH Secondary Shoe & Lining            |
|      | 1 #046-077-01 |         | Shoe Hold Down Spring & Cup-Sec.      |
|      | 2 #035-001-00 |         | Shoe Hold Down Cup-Primary            |
|      | 1 #046-006-01 |         | Shoe Hold Down Spring & Cup-Prim.     |
|      | 1 #049-013-00 |         | Shoe Hold Down Pin #1-Primary         |
|      | 1 #049-002-00 |         | Shoe Hold Down Pin #8-Sec.            |
| 8    | 043-028-00    | 1       | Adjuster Assembly                     |
| 9    | 046-123-01    | 1       | Adjusting Screw Spring                |
| 10   | 046-007-00    | 1       | Adjuster Slot Plug                    |
| *11  | 006-193-00    | 5       | Nut Washer Assembly                   |
| 13   | 040-244-02    | 1       | Shoe Lever                            |
| 14   | 006-011-00    | 1       | Locknut                               |
| 15   | 007-210-00    | 1       | Screw                                 |
| 16   | 005-064-00    | 1       | Washer                                |
| 17   | 046-108-03    | 1       | Primary Shoe Return Spring            |
| ns   | 054-089-00    | 1       | Bleeder Screw (included with item #2) |

# 12" x 2" Hydraulic Brake Free Backing With Parking Feature



**5500 - 7000 LBS. CAPACITY**



**Note:** Uni-Servo brakes to be used with surge actuator

## Hydraulic Free Backing Parking Brake

| Item | Part No.   | Qty/Brk | Description  |
|------|------------|---------|--|
| 0    | K23-340-00 | 1       | LH Complete Brake Assembly   |
| 0    | K23-341-00 | 1       | RH Complete Brake Assembly (shown)   |
| 1    | 036-093-15 | 1       | LH Backing Plate Assembly  |
| 1    | 036-093-16 | 1       | RH Backing Plate Assembly  |
| 2    | 054-064-00 | 1       | LH Brake Cylinder Uni-Servo  |
| 2    | 054-065-00 | 1       | RH Brake Cylinder Uni-Servo  |
| 3    | 054-060-00 | 1       | Cylinder Push Rod  |
| 4    | 087-001-00 | 2       | Sems (screw & washer assembly)   |
| 5    | 037-069-02 | 1       | Travel Link  |
| 6    | 046-101-00 | 1       | Retractor Spring   |
| 6A   | 046-107-01 | 1       | Shoe Lever Return Spring   |
| 7    | K71-394-00 | 1       | LH Shoe & Lining Kit Contains:<br>1 #040-243-08 LH Primary Shoe & Lining<br>1 #040-315-02 LH Secondary Shoe & Lining<br>1 #046-077-00 Shoe Hold Down Spring & Cup-Sec.<br>2 #035-001-00 Shoe Hold Down Cup-Primary<br>1 #046-006-00 Shoe Hold Down Spring-Primary<br>1 #049-013-00 Shoe Hold Down Pin #1-Primary<br>1 #049-002-00 Shoe Hold Down Pin #8-Sec. |
| 7    | K71-395-00 | 1       | RH Shoe & Lining Kit Contains:<br>1 #040-243-09 RH Primary Shoe & Lining<br>1 #040-315-01 RH Secondary Shoe & Lining<br>1 #046-077-00 Shoe Hold Down Spring & Cup-Sec.<br>2 #035-001-00 Shoe Hold Down Cup-Primary<br>1 #046-006-00 Shoe Hold Down Spring-Primary<br>1 #049-013-00 Shoe Hold Down Pin #1-Primary<br>1 #049-002-00 Shoe Hold Down Pin #8-Sec. |
| 8    | 043-028-00 | 1       | Adjuster Assembly  |
| 9    | 046-123-00 | 1       | Adjusting Screw Spring   |
| 10   | 046-007-00 | 1       | Adjuster Slot Plug   |
| *11  | 006-193-00 | 5       | Nut Washer Assembly  |
| 13   | 040-244-01 | 1       | Shoe Lever   |
| 14   | 006-011-00 | 1       | Locknut  |
| 15   | 007-210-00 | 1       | Screw  |
| 16   | 005-064-00 | 1       | Washer   |
| 17   | 046-108-01 | 1       | Primary Shoe Return Spring   |
| 18   | 069-055-00 | 1       | Retainer   |
| 19   | 047-110-01 | 1       | LH Parking Lever and Pin   |
| 19   | 047-111-01 | 1       | RH Parking Lever and Pin   |
| 20   | 047-119-01 | 1       | Strut for Parking Brake  |
| 22   | 005-112-00 | 1       | Washer   |
| ns   | 054-089-00 | 1       | Bleeder Screw (included with item #2)  |
| *ns  | 071-515-00 | 1       | Park Brake Cable   |

ns - not shown

## Hydraulic Free Backing Parking Brake Corrosion Resistant

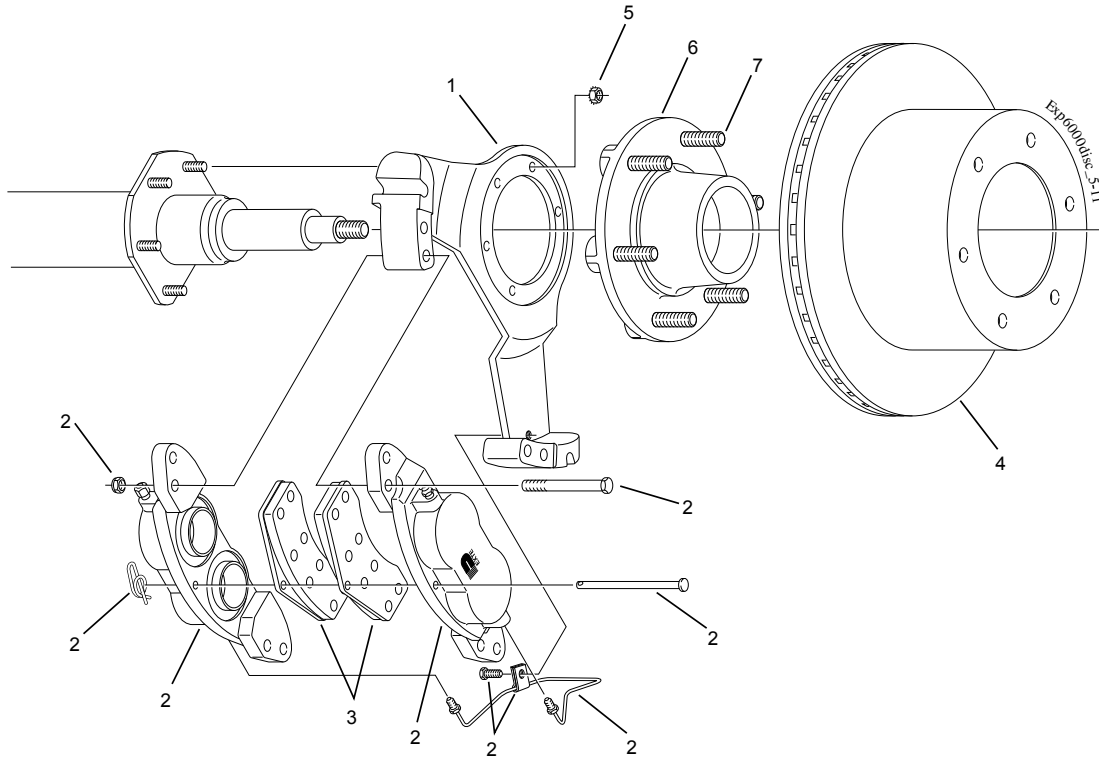
| Item | Part No.   | Qty/Brk | Description  |
|------|------------|---------|--|
| 0    | K23-340-01 | 1       | LH Complete Brake Assembly   |
| 0    | K23-341-01 | 1       | RH Complete Brake Assembly   |
| 1    | 036-093-17 | 1       | LH Backing Plate Assembly  |
| 1    | 036-093-18 | 1       | RH Backing Plate Assembly  |
| 2    | 054-064-01 | 1       | LH Brake Cylinder Uni-Servo  |
| 2    | 054-065-01 | 1       | RH Brake Cylinder Uni-Servo  |
| 3    | 054-060-00 | 1       | Cylinder Push Rod  |
| 4    | 087-001-00 | 2       | Sems (screw & washer assembly)   |
| 5    | 037-069-02 | 1       | Travel Link  |
| 6    | 046-101-00 | 1       | Retractor Spring   |
| 6A   | 046-107-03 | 1       | Shoe Lever Return Spring   |
| 7    | K71-427-00 | 1       | LH Shoe & Lining Kit Contains:<br>1 #040-243-06 LH Primary Shoe & Lining<br>1 #040-315-06 LH Secondary Shoe & Lining<br>1 #046-077-01 Shoe Hold Down Spring & Cup-Sec.<br>2 #035-001-00 Shoe Hold Down Cup-Primary<br>1 #046-006-01 Shoe Hold Down Spring-Primary<br>1 #049-013-00 Shoe Hold Down Pin #1-Primary<br>1 #049-002-00 Shoe Hold Down Pin #8-Sec. |
| 7    | K71-428-00 | 1       | RH Shoe & Lining Kit Contains:<br>1 #040-243-07 RH Primary Shoe & Lining<br>1 #040-315-05 RH Secondary Shoe & Lining<br>1 #046-077-01 Shoe Hold Down Spring & Cup-Sec.<br>2 #035-001-00 Shoe Hold Down Cup-Primary<br>1 #046-006-01 Shoe Hold Down Spring-Primary<br>1 #049-013-00 Shoe Hold Down Pin #1-Primary<br>1 #049-002-00 Shoe Hold Down Pin #8-Sec. |
| 8    | 043-028-00 | 1       | Adjuster Assembly  |
| 9    | 046-123-01 | 1       | Adjusting Screw Spring   |
| 10   | 046-007-00 | 1       | Adjuster Slot Plug   |
| *11  | 006-193-00 | 5       | Nut Washer Assembly  |
| 13   | 040-244-02 | 1       | Shoe Lever   |
| 14   | 006-011-00 | 1       | Locknut  |
| 15   | 007-210-00 | 1       | Screw  |
| 16   | 005-064-00 | 1       | Washer   |
| 17   | 046-108-03 | 1       | Primary Shoe Return Spring   |
| 18   | 069-055-00 | 1       | Retainer   |
| 19   | 047-110-01 | 1       | LH Parking Lever and Pin   |
| 19   | 047-111-01 | 1       | RH Parking Lever and Pin   |
| 20   | 047-119-01 | 1       | Strut for Parking Brake  |
| 22   | 005-112-00 | 1       | Washer   |
| ns   | 054-089-00 | 1       | Bleeder Screw (included with item #2)  |

# Disc Brake for 6,000 Lb. Axles



CSA approved at 6000#/14.3 SLR

**5500 - 7000 LBS. CAPACITY**



## Disc Brake 6000#

| Item | Part No.     | Qty/Brk | Description                                     |
|------|--------------|---------|---|
| 1    | 090-005-01   | 1       | LH Anchor Yoke                                  |
| 1    | 090-005-02   | 1       | RH Anchor Yoke (shown)                          |
| 2    | K71-636-00   | 1       | Caliper Assembly Kit for LH or RH Contains:     |
|      | 4 006-045-00 |         | Caliper Mounting Nut                            |
|      | 4 007-254-00 |         | Caliper Mounting Bolt                           |
|      | 1 019-019-00 |         | Cotter Ring                                     |
|      | 1 027-060-00 |         | Tube Clamp                                      |
|      | 1 054-092-00 |         | Bleeder Screw                                   |
|      | 1 054-094-00 |         | Adapter Fitting                                 |
|      | 1 056-038-00 |         | Pad Retaining Pin                               |
|      | 1 071-513-00 |         | Cross Over Hydraulic Line (yokes without notch) |
|      | 1 071-517-00 |         | Cross Over Hydraulic Line (yokes with notch)    |
|      | 1 087-002-00 |         | Hex Bolt  |
|      | 2 089-005-02 |         | Assembled Caliper Half                          |
| 3    | K71-629-00   | 1       | Brake Pad Kit (axle set)                        |
| 4    | K71-637-00   | 1       | Rotor Kit                                       |
| 5    | 006-193-00   | 5       | 3/8" Brake Mounting Nut-Washer Assembly         |

## Disc Brake 6000# With 42MM Nev-R-Lube®

| Item | Part No.     | Qty/Brk | Description                                     |
|------|--------------|---------|---|
| 1    | 090-006-01   | 1       | LH Anchor Yoke                                  |
| 1    | 090-006-02   | 1       | RH Anchor Yoke                                  |
| 2    | K71-636-00   | 1       | Caliper Assembly Kit for LH or RH Contains:     |
|      | 4 006-045-00 |         | Caliper Mounting Nut                            |
|      | 4 007-254-00 |         | Caliper Mounting Bolt                           |
|      | 1 019-019-00 |         | Cotter Ring                                     |
|      | 1 027-060-00 |         | Tube Clamp                                      |
|      | 1 054-092-00 |         | Bleeder Screw                                   |
|      | 1 054-094-00 |         | Adapter Fitting                                 |
|      | 1 056-038-00 |         | Pad Retaining Pin                               |
|      | 1 071-513-00 |         | Cross Over Hydraulic Line (yokes without notch) |
|      | 1 071-517-00 |         | Cross Over Hydraulic Line (yokes with notch)    |
|      | 1 087-002-00 |         | Hex Bolt  |
|      | 2 089-005-02 |         | Assembled Caliper Half                          |
| 3    | K71-629-00   | 1       | Brake Pad Kit (axle set)                        |
| 4    | K71-637-00   | 1       | Rotor Kit                                       |
| 5    | 006-193-00   | 5       | 3/8" Brake Mounting Nut-Washer Assembly         |

## Disc Brake Hubs & Studs

| Item | Part No.   | Qty/Brk | Description                  |
|------|------------|---------|------------------------------|
| 6    | 008-403-05 | 1       | Grease 1/2" Studs 6 on 5.50  |
| 7    | 007-262-00 | 6       | 1/2-20 x 2.50" Press-in Stud |

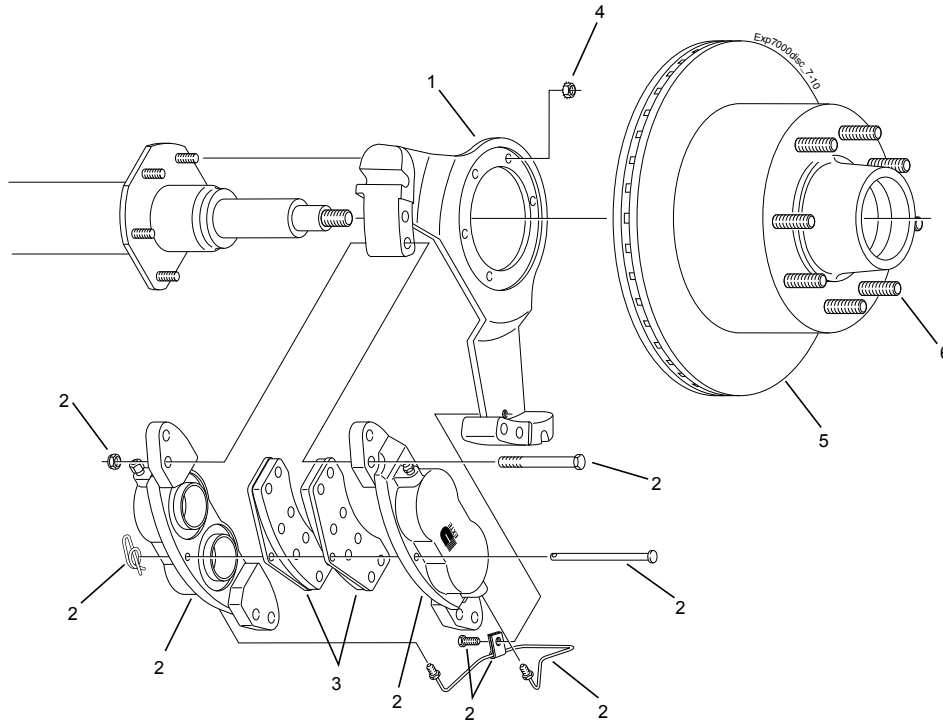
## Nev-R-Lube® Disc Brake Hubs

| Item | Part No.   | Qty/Brk | Description                  |
|------|------------|---------|------------------------------|
| 6    | 008-404-80 | 1       | 1/2" Studs, 42mm 6 on 5.50   |
| 7    | 007-262-00 | 6       | 1/2-20 x 2.50" Press-in Stud |

# Disc Brake for 7,000 Lb. Axles



CSA approved at 7000#/14.0 SLR



### Disc Brake 7000#

| Item | Part No.     | Qty/Brk | Description                                  |
|------|--------------|---------|--|
| 1    | 090-008-01   | 1       | LH Anchor Yoke                               |
| 1    | 090-008-02   | 1       | RH Anchor Yoke (shown)                       |
| 2    | K71-693-00   | 1       | Caliper Assembly Kit for LH or RH Contains:  |
|      | 4 006-045-00 |         | Caliper Mounting Nut                         |
|      | 4 007-254-00 |         | Caliper Mounting Bolt                        |
|      | 1 019-019-00 |         | Cotter Ring                                  |
|      | 1 027-060-00 |         | Tube Clamp                                   |
|      | 1 054-092-00 |         | Bleeder Screw                                |
|      | 1 054-094-00 |         | Adapter Fitting                              |
|      | 1 056-038-00 |         | Pad Retaining Pin                            |
|      | 1 071-517-00 |         | Cross Over Hydraulic Line (yokes with notch) |
|      | 1 087-002-00 |         | Hex Bolt                                     |
|      | 2 089-005-06 |         | Assembled Caliper Half                       |
| 3    | K71-629-00   | 1       | Brake Pad Kit (axle set)                     |
| 4    | 006-193-00   | 5       | 3/8" Brake Mounting Nut-Washer Assembly      |

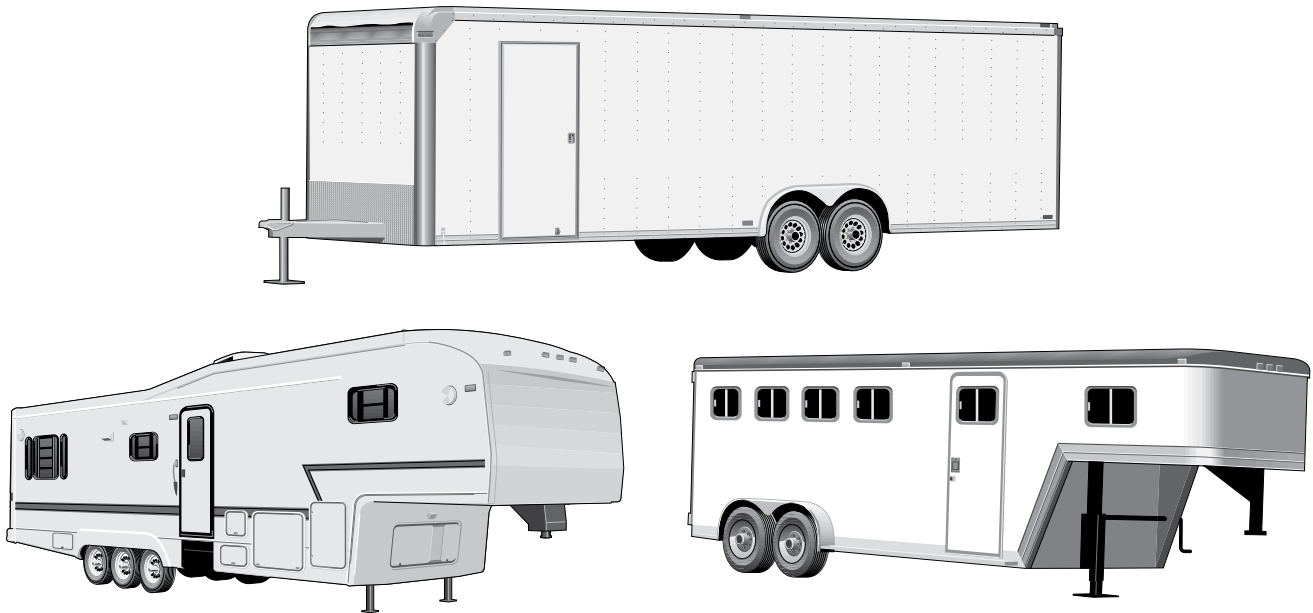
### Disc Brake Hubs & Studs

| Item | Part No.   | Qty/Brk | Description                   |
|------|------------|---------|-------------------------------|
| 5    | 008-416-10 | 1       | Grease 1/2" Studs 8 on 6.50   |
|      | 008-416-11 | 1       | Oil 1/2" Studs 8 on 6.50      |
|      | 008-416-12 | 1       | Grease 9/16" Studs 8 on 6.50  |
|      | 008-416-13 | 1       | Oil 9/16" Studs 8 on 6.50     |
|      | 008-416-14 | 1       | Grease 5/8" Studs 8 on 6.50   |
|      | 008-416-15 | 1       | Oil 5/8" Studs 8 on 6.50      |
| 6    | 007-122-00 | 8       | 1/2-20 x 1.84" Press-in Stud  |
|      | 007-223-00 | 8       | 9/16-18 x 2.01" Press-in Stud |
|      | 007-224-00 | 8       | 5/8-18 x 2.50" Press-in Stud  |

# AIRFLEX® Light Trailer Suspension System

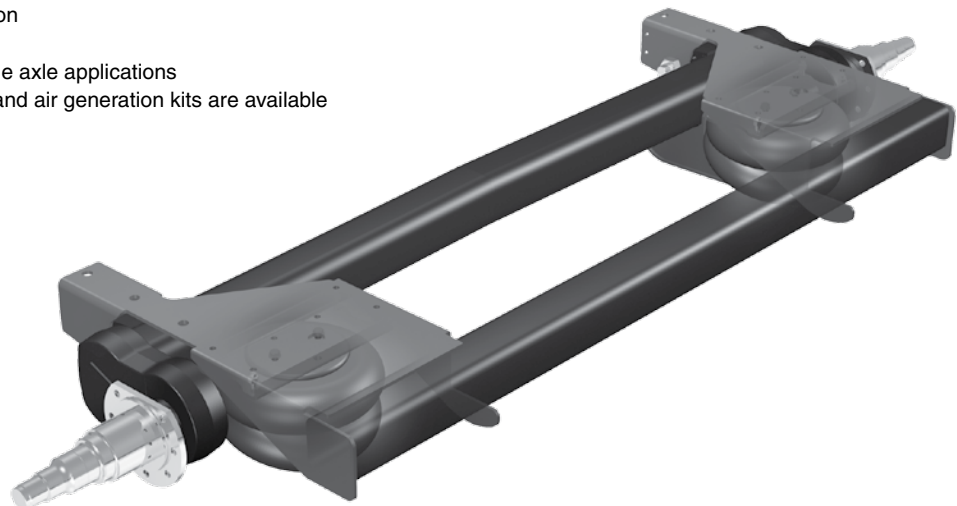
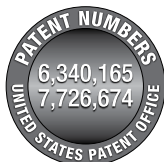


**5500 - 7000 LBS. CAPACITY**



## Smooth Out the Roughest Roads

- Soft Ride – New hybrid suspension combines air and rubber torsion for an excellent ride
- Independent – Ride and stability improve with independent wheel action
- Equalizing – Axle-to-axle load equalization allows use on triple axle trailers
- Reliable – Rubber cushions ride even if air is not available
- Maintains constant ride height for the ultimate ride
- Fully assembled for easy installation
- Adjustable axle alignment feature
- Available for single, tandem or triple axle applications
- Optional ride height control valve and air generation kits are available
- 2 year limited warranty



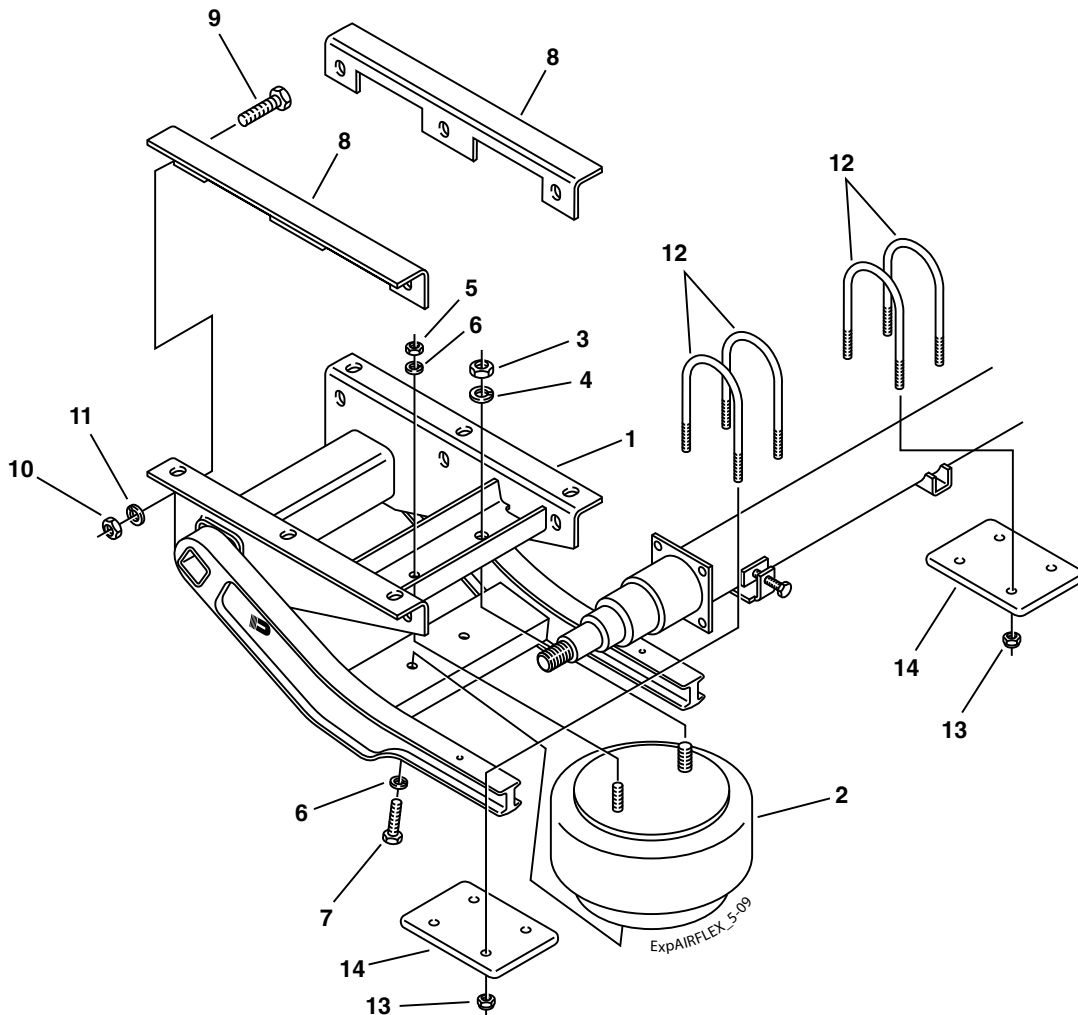


# AIRFLEX® for 7,000 Lb. Axles – Before May 2010



## Service Parts Only

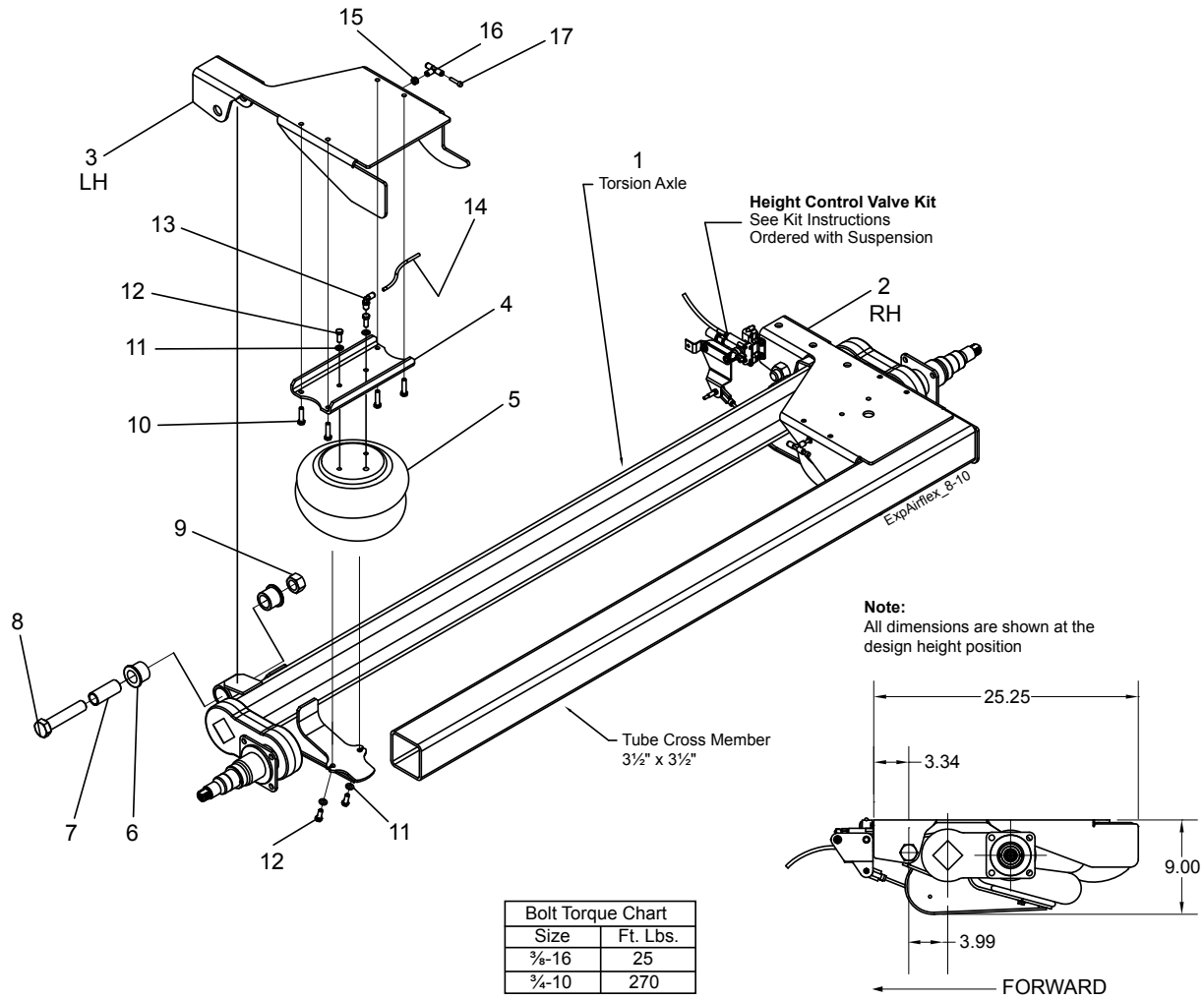
**5500 - 7000 LBS. CAPACITY**



### AIRFLEX® Suspension Components 7000#

| Item                                      | Part No.   | Qty/Axle | Description  |
|---|------------|----------|--|
| 1   | 003-272-00 | 1        | LH Suspension Assembly (shown) (incl. items #2-11) |
| 1   | 003-273-00 | 1        | RH Suspension Assembly (incl. items #2-11)         |
| <b>Air Spring &amp; Mounting Hardware</b> |            |          |  |
| 2   | 034-279-00 | 2        | Air Spring   |
| 3   | 006-122-01 | 2        | 3/4"-16 Jam Nut                                    |
| 4   | 005-143-00 | 2        | 3/4" Lock Washer                                   |
| 5   | 006-116-00 | 2        | 1/2"-13 Hex Nut                                    |
| 6   | 005-058-00 | 6        | 1/2" Lock Washer                                   |
| 7   | 007-259-00 | 4        | 1/2"-13 Hex Bolt                                   |
| <b>Suspension Mounting Hardware</b>       |            |          |  |
| 8   | 003-261-00 | 2        | Side Mount Bracket                                 |
| 9   | 007-177-00 | 6        | 5/8" Mounting Bolt                                 |
| 10  | 006-126-00 | 6        | 5/8" Locknut                                       |
| 11  | 005-111-00 | 6        | 5/8" Washer  |
| <b>Axle Attaching Hardware</b>            |            |          |  |
| 12  | 011-090-01 | 8        | 3/4" U-Bolt  |
| 13  | 006-113-00 | 16       | 3/4" Locknut                                       |
| 14  | 012-065-01 | 4        | Tie Plate  |
| <b>Air Supply Kits</b>                    |            |          |  |
| ns  | K71-632-01 | -        | Tandem Plumbing Kit with Ride Height Control Valve |
| ns  | K71-632-02 | -        | Air Generation Kit (includes compressor and tank)  |
| ns  | K71-632-03 | -        | Manual Dump Valve Kit                              |
| ns  | K71-632-04 | -        | Tri-Axle Conversion Plumbing Kit                   |

ns - not shown



| Bolt Torque Chart |          |
|-------------------|----------|
| Size              | Ft. Lbs. |
| 3/8-16            | 25       |
| 3/4-10            | 270      |

### AIRFLEX® Suspension Components 7000#

| Item | Part No.     | Qty/Axle | Description                           |
|------|--------------|----------|---------------------------------------|
| 1    | n/a          | 1        | Torsion Axle with Suspension Brackets |
| 2    | 003-327-00   | 1        | RH Frame Bracket                      |
| 3    | 003-326-00   | 1        | LH Frame Bracket                      |
| 4    | 003-323-00   | 2        | Channel, Air Spring Support           |
| 5    | W01-358-6947 | 2        | Firestone Air Spring                  |
| 6    | 014-123-00   | 2        | Pivot Bushing Kit                     |
| 7    | 014-127-00   | 2        | Bushing Spacer/Liner                  |
| 8    | n/a          | 2        | 3/4-10 UNC x 4.5" LG HHCS             |
| 9    | n/a          | 2        | 3/4-10 UNC Stover Lock Nut            |
| 10   | n/a          | 8        | 3/8-16 UNC x 1.5" LG HHCS             |
| 11   | n/a          | 8        | 3/8 Regular Split Lock Washer         |
| 12   | n/a          | 8        | 3/8-16 UNC x 1" LG HHCS               |
| 13   | n/a          | 2        | 1/4 NPTM x 1/4 T 90° Elbow, Swivel    |
| 14   | n/a          | 2        | 1/4 x 6.25" LG Nylon Tube             |
| 15   | n/a          | 2        | Grommet                               |
| 16   | n/a          | 2        | 1/4 T Union Tee                       |
| 17   | n/a          | 2        | 1/4 T Plug                            |

#### Air Supply Kits

|    |            |   |                                    |
|----|------------|---|------------------------------------|
| ns | K71-692-01 | - | Ride Height Control Kit            |
| ns | K71-692-02 | - | Air Supply and Control Kit         |
| ns | K71-692-03 | - | Air Control Kit Without Air Supply |

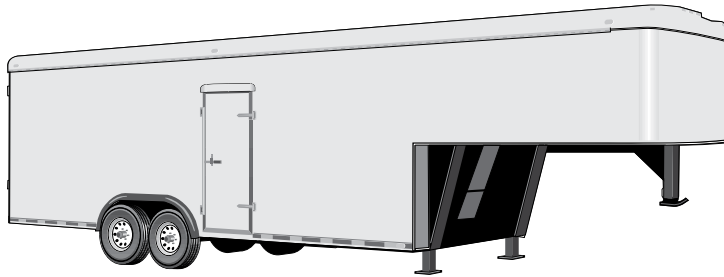
n/a - not available

ns - not shown



# General Applications

7200 LBS. CAPACITY



## Axle Types

### 7200 Lbs. Capacity

- Complete service manual
- Precision machined steel spindles and integral cast iron hub/drums
- Finned brake drums for better heat dissipation
- Press-in wheel studs, 9/16" or 5/8"
- Improved bearing package; unitized seals
- Standard grease lubrication; optional oil bath; E-Z Lube® option
- 12 1/4" x 2 1/2" electric brakes, CSA approved at 7100 lbs.
- Inner wiring system for easier installation and protection of brake wiring



### D72 LEAF SPRING



- Heavy wall 3" diameter tube
- Straight or Drop spindles (4" drop only)
- High quality alloy steel springs in a variety of capacities
- Single, tandem, or triple axle assemblies with equalized suspensions
- Slipper leaf spring suspension
- Heavy duty suspension parts available
- Optional rubber bushed suspension
- Optional hanger and attaching parts kits available
- Durable, wear-resistant components
- 2 year limited warranty

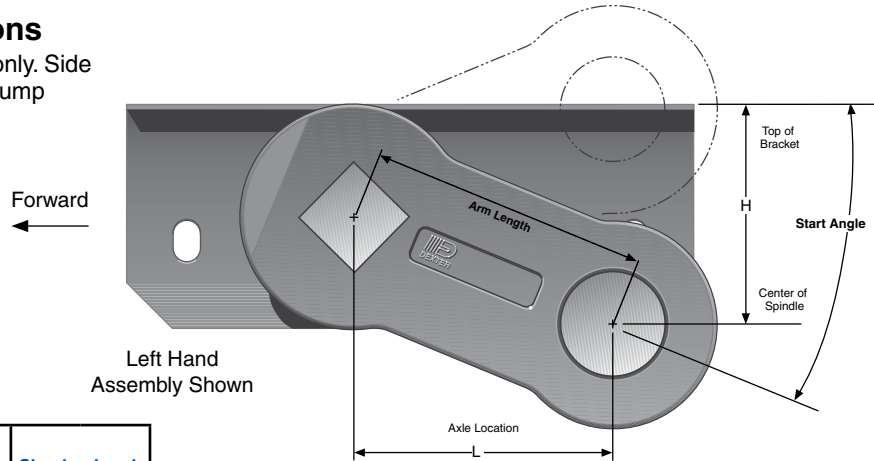
- Totally rubber-cushioned for smooth, quiet, independent ride
- Easy installation with less maintenance
- Less transfer of road shock which insulates cargo from road shocks and vibration
- Rubber cords compounded for maximum dependability and durability
- Load-carrying cross member
- Self-damping action
- Independent wheel suspension system
- 5 year limited warranty on suspension system
- Low profile for maximum road clearance
- Various starting angles to control trailer height
- High and low profile brackets with optional mounting brackets are available
- Rubber cushioning eliminates metal-to-metal contact
- Shock absorption provided by the natural hysteresis of rubber
- Single or tandem axle assemblies
- Durable, wear-resistant components

**CAUTION:** Triple axle assemblies are NOT recommended for Torflex® axles.



## Articulation Dimensions

Dimensions are for top mount only. Side mount is .31" higher. Allow 3" bump clearance from full load.



Left Hand Assembly Shown

| Start Angle | Bracket Profile | No Load |      | Full Load |      | Shock Load |      |
|-------------|-----------------|---------|------|-----------|------|------------|------|
|             |                 | H       | L    | H         | L    | H          | L    |
| 45° Down    | Low             | 6.24    | 4.24 | 4.30      | 5.54 | 3.30       | 5.86 |
|             | High            | 6.99    | 4.24 | 5.05      | 5.54 | 4.05       | 5.86 |
| 22.5° Down  | Low             | 4.30    | 5.54 | 2.00      | 6.00 | 0.96       | 5.91 |
|             | High            | 5.05    | 5.54 | 2.75      | 6.00 | 1.71       | 5.91 |
| 10° Down    | Low             | 3.04    | 5.91 | 0.70      | 5.86 | -0.30      | 5.54 |
|             | High            | 3.79    | 5.91 | 1.45      | 5.86 | 0.45       | 5.54 |
| 0°          | Low             | 2.00    | 6.00 | -0.30     | 5.54 | -1.22      | 5.06 |
|             | High            | 2.75    | 6.00 | 0.45      | 5.54 | -0.47      | 5.06 |
| 10° Up      | Low             | 0.96    | 5.91 | -1.22     | 5.06 | -2.05      | 4.42 |
|             | High            | 1.71    | 5.91 | -0.47     | 5.06 | -1.30      | 4.42 |
| 22.5° Up    | Low             | -0.30   | 5.54 | -2.24     | 4.24 | -2.91      | 3.44 |
|             | High            | 0.45    | 5.54 | -1.49     | 4.24 | -2.16      | 3.44 |

### #12V Overhang Per Side

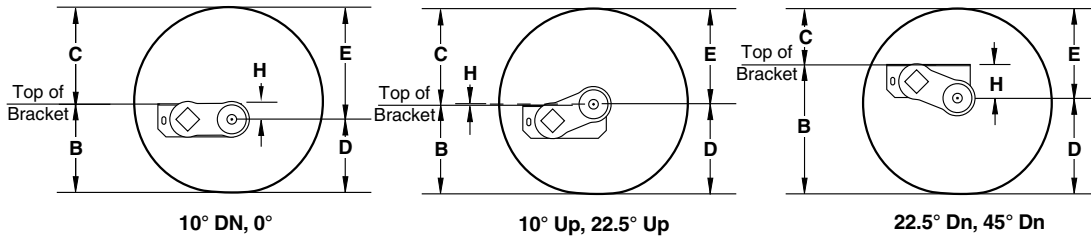
| Spindle  | Min.  | Max.   |
|----------|-------|--------|
| Standard | 7.00" | 14.77" |

**Note:** Positive numbers in the H column indicate the spindle is BELOW the top of the bracket. Conversely, negative numbers are ABOVE the top of the bracket.



## Full Load Dimensions

Dimensions are for low profile, top mount only. High profile brackets are .75" higher. Side mount is .31" higher. Allow 3" bump clearance from full load.



### Start Angle

| Tire        | * ** |      | 45° Down |      |      | 22.5° Down |      |      | 10° Down |      |      | 0°   |      |      | 10° Up |      |      | 22.5° Up |      |      |
|-------------|------|------|----------|------|------|------------|------|------|----------|------|------|------|------|------|--------|------|------|----------|------|------|
|             | D    | E    | H        | B    | C    | H          | B    | C    | H        | B    | C    | H    | B    | C    | H      | B    | C    | H        | B    | C    |
| LT235/85R16 | 14.3 | 15.4 | 4.3      | 18.6 | 11.1 | 2.0        | 16.3 | 13.4 | 0.7      | 15.0 | 14.7 | -0.3 | 14.0 | 15.7 | -1.2   | 13.1 | 16.6 | -2.2     | 12.1 | 17.6 |
| 7.50-16LT   | 14.9 | 16.7 | 4.3      | 19.2 | 12.4 | 2.0        | 16.9 | 14.7 | 0.7      | 15.6 | 16.0 | -0.3 | 14.6 | 17.0 | -1.2   | 13.7 | 17.9 | -2.2     | 12.7 | 18.9 |
| 9.50-16.5LT | 14.1 | 15.2 | 4.3      | 18.4 | 10.9 | 2.0        | 16.1 | 13.2 | 0.7      | 14.8 | 14.5 | -0.3 | 13.8 | 15.5 | -1.2   | 12.9 | 16.4 | -2.2     | 11.9 | 17.4 |

Columns D and E are dimensional examples only:

\* D – Static Loaded Radius

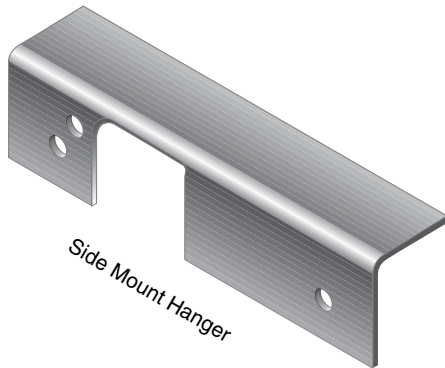
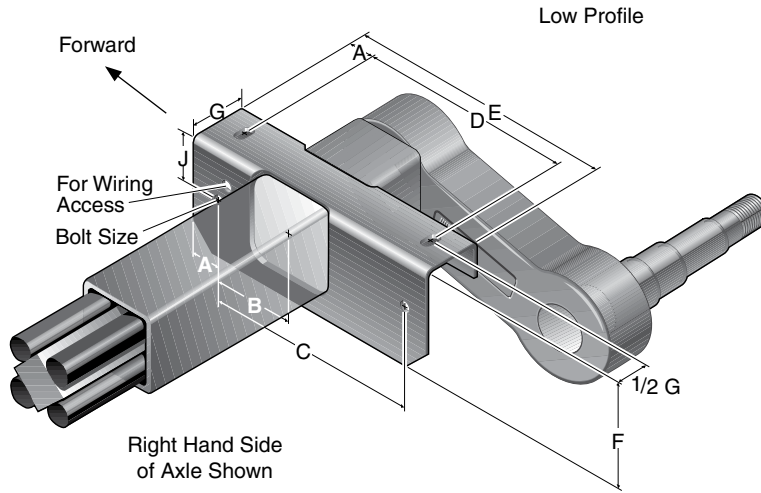
\*\* E – Inflated Radius



**7200 LBS. CAPACITY**

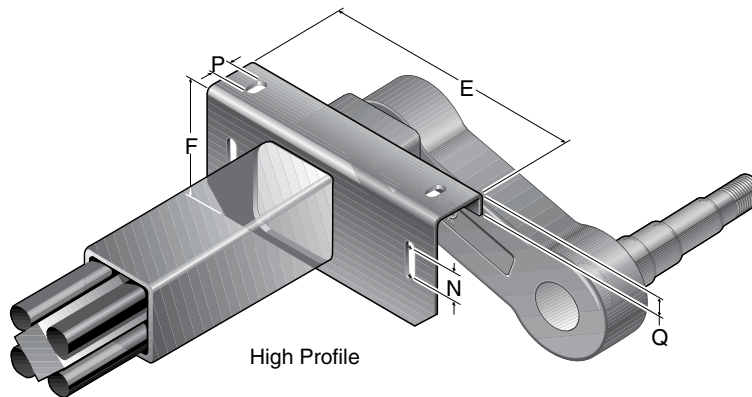


## Bracket Dimensions



### #12V Bracket Dimensions

|           | Low       | High  |
|-----------|-----------|-------|
| A         | 1.25      | 1.25  |
| B         | 3.50      | 3.50  |
| C         | 9.50      | 9.50  |
| D         | 9.00      | 9.00  |
| E         | 12.00     | 12.00 |
| F         | 4.37      | 5.12  |
| G         | 2.50      | 2.50  |
| J         | 2.06      | 2.06  |
| N         | ----      | 1.03  |
| P         | ----      | 1.00  |
| Q         | ----      | 1.00  |
| Bolt Size | 5/8" bolt |       |
| Tube Size | 3.50      | 3.50  |



# Leaf Spring Application Information



7200 LBS. CAPACITY

## Slipper Spring Axle Assemblies

| Hanger Kits |               |        | Quantity Per Kit |            |            |
|-------------|---------------|--------|------------------|------------|------------|
| Part No.    | Description   | Height | HGR-138-00       | HGR-238-00 | HGR-338-00 |
| 028-009-01  | Front Hanger  | 5.00"  | 2                | 2          | 2          |
| 029-005-01  | Center Hanger | 4.50"  | ----             | 2          | 4          |
| 030-006-01  | Rear Hanger   | 6.38"  | 2                | 2          | 2          |

| Attaching Parts Kits |                 | A/P-103-00 | A/P-202-00 <sup>§</sup> | A/P-216-00 <sup>‡</sup> | A/P-302-00 <sup>§</sup> | A/P-316-00 <sup>‡</sup> |
|----------------------|-----------------|------------|-------------------------|-------------------------|-------------------------|-------------------------|
| Part No.             | Description     |            |                         |                         |                         |                         |
| 006-007-01           | 5/16-18 Locknut | 2          | 4                       | 4                       | 6                       | 6                       |
| 006-011-00           | Keeper Nut      | 2          | 4                       | 4                       | 6                       | 6                       |
| 006-111-00           | Equalizer Nut   | ----       | 2                       | 2                       | 4                       | 4                       |
| 007-001-01           | Equalizer Bolt  | ----       | 2                       | 2                       | 4                       | 4                       |
| 007-007-00           | Keeper Bolt     | 2          | 4                       | 4                       | 6                       | 6                       |
| 007-017-00           | Spring Eye Bolt | 2          | 4                       | 4                       | 6                       | 6                       |
| 013-004-00           | Equalizer       | ----       | 2                       | ----                    | 4                       | ----                    |
| 013-044-01           | Equalizer       | ----       | ----                    | 2                       | ----                    | 4                       |

§ For 33.5" axle spacing

‡ For 36" axle spacing

## Slipper Springs

|   | Single<br>A/P-103-00 | Tandem<br>A/P-202-00 <sup>§</sup> | Triple<br>A/P-302-00 <sup>§</sup> A/P-316-00 <sup>‡</sup> |      |
|---|----------------------|-----------------------------------|---|------|
| A | 24.0                 | ----                              | ----  | ---- |
| B | ----                 | 28.8                              | 30.4  | 30.4 |
| C | ----                 | 33.5                              | 36.0  | 36.0 |
| D | 11.5                 | 11.5                              | 11.5  | 11.5 |
| E | ----                 | ----                              | 33.0  | 35.0 |

**Note:** All 2" wide slipper springs

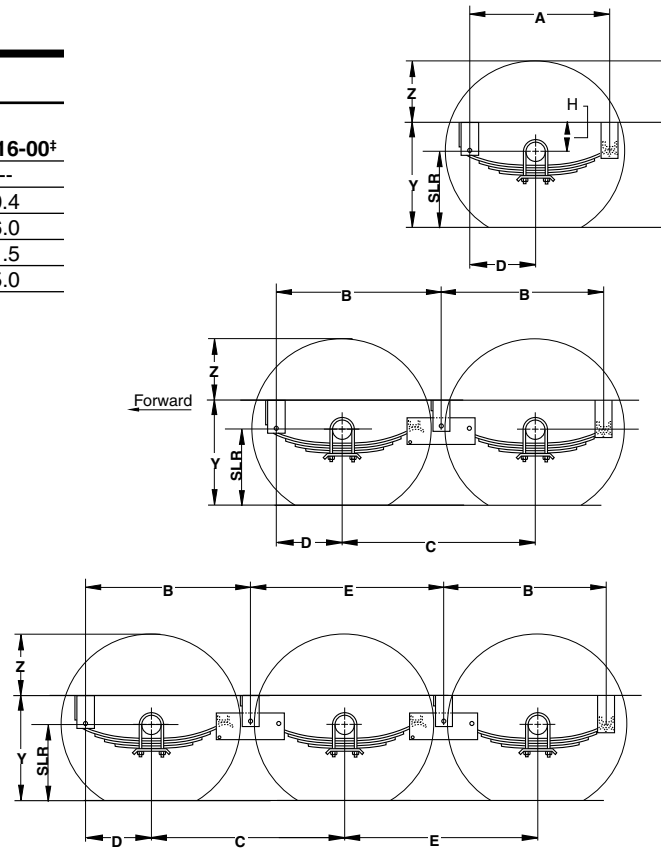
§ For 33.5" axle spacing

‡ For 36" axle spacing

A, B, E – Hanger Spacing  
 C – Axle Spacing  
 D – Axle Location  
 H – Center of Spindle  
 Y – Frame Height  
 Z – Top of Tire to Bottom of Frame  
 SLR – Static Load Radius

To determine these values, contact your local sales engineer or distributor to run ProSpec™.

Some combinations of hangers and spring mountings may result in insufficient bump clearance. Refer to the Miscellaneous section for additional hanger kits, A/P kits, or other tires.



## D72 Overhang Per Side

|          | Min.  | Max.  |
|----------|-------|-------|
| Straight | 7.00" | 9.00" |
| 4" Drop  | 7.87" | 9.00" |

### Single Axles

require 1 HAP-105-00 kit

### Tandem Axles

require 1 HAP-105-00 kit  
and 1 HAP-205-01 kit

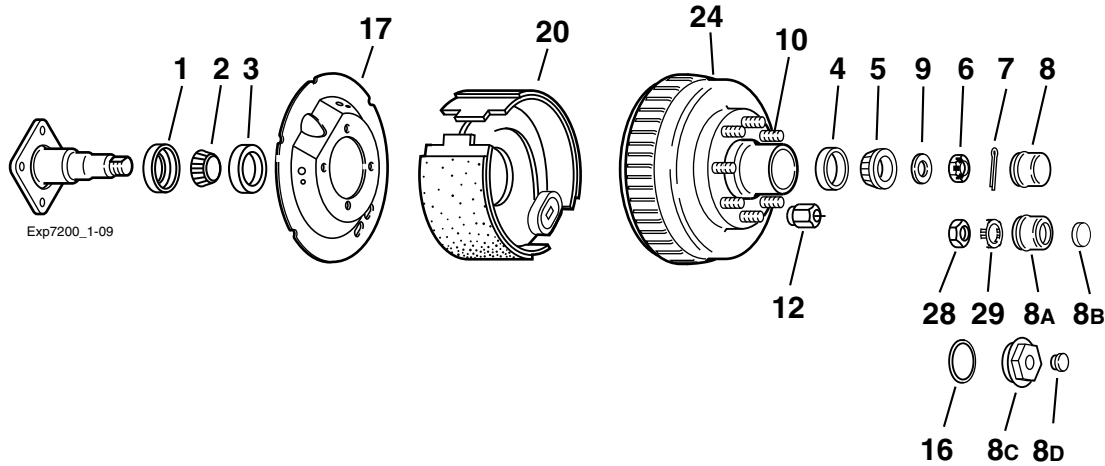
### Triple Axles

require 1 HAP-105-00 kit  
and 2 HAP-205-01 kits

## Rubber Bushed Suspension

| Part No.   | Description         | Height | HAP-105-00 | HAP-205-01 |
|------------|---------------------|--------|------------|------------|
| 028-068-02 | Front Hanger        | 5.50"  | 2          | ----       |
| 029-039-04 | Center Hanger       | 4.50"  | ----       | 2          |
| 030-068-02 | Rear Hanger         | 4.85"  | 2          | ----       |
| 006-011-00 | 5/16-18 UNC Locknut | ----   | 2          | 2          |
| 006-038-00 | 5/8-11 UNC Locknut  | ----   | 2          | 2          |
| 006-112-00 | 1-8 UNC Locknut     | ----   | ----       | 2          |
| 007-007-00 | Keeper Bolt         | ----   | 2          | 2          |
| 007-181-00 | Spring Eye Bolt     | ----   | 2          | 2          |
| 007-182-00 | Equalizer Bolt      | ----   | ----       | 2          |
| 013-117-03 | Equalizer           | ----   | ----       | 2          |
| 059-200-00 | Decal               | ----   | 1          | 1          |
| 059-203-00 | Instruction Sheet   | ----   | 1          | 1          |

# 865 Hub Group



## Grease Lube Parts

| Item | Part No.   | Description                                     |
|------|------------|---|
| 1    | 010-036-00 | Seal  |
| 2    | 031-030-02 | 25580 Inner Bearing Cone                        |
| 3    | 031-030-01 | 25520 Inner Bearing Cup                         |
| 4    | 031-028-01 | 02420 Outer Bearing Cup                         |
| 5    | 031-028-02 | 02475 Outer Bearing Cone                        |
| 6    | 006-176-00 | Spindle Nut                                     |
| 7    | 019-002-00 | Cotter Pin (not used with E-Z Lube®)            |
| 8    | 021-039-00 | Grease Cap                                      |
| 8A   | 021-043-01 | Grease Cap for E-Z Lube®                        |
| 8B   | 085-001-00 | E-Z Lube® Rubber Plug                           |
| 9    | 005-057-00 | Spindle Washer                                  |
| 28   | 006-191-00 | Special Jam Nut for E-Z Lube® (after 2002)      |
| 29   | 006-190-00 | Spindle Nut Retainer for E-Z Lube® (after 2002) |

## Oil Lube Parts

| Item | Part No.   | Description                         |
|------|------------|-------------------------------------|
| 1    | 010-063-00 | Seal (Unitized)                     |
| 2    | 031-030-02 | 25580 Inner Bearing cone            |
| 3    | 031-030-01 | 25520 Inner Bearing Cup             |
| 4    | 031-028-01 | 02420 Outer Bearing Cup             |
| 5    | 031-028-02 | 02475 Outer Bearing Cone            |
| 6    | 006-176-00 | Spindle Nut                         |
| 7    | 019-002-00 | Cotter Pin                          |
| 9    | 005-057-00 | Spindle Washer                      |
| 8C   | 021-035-00 | Oil Cap                             |
| 8D   | 046-032-00 | Oil Cap Plug                        |
| ns   | 046-052-00 | Oil Filler Plug (service part only) |
| 16   | 010-045-00 | 'O' Ring for Oil Lube               |

## Studs & Wheel Nuts

| Item | Part No.   | Description              |
|------|------------|--------------------------|
| 10   | 007-122-00 | 1/2-20 Press-in Stud     |
| 10   | 007-224-00 | 5/8-18 Press-in Stud     |
| 10   | 007-223-00 | 9/16-18-18 Press-in Stud |
| 12   | 006-053-00 | 9/16-18 60° Cone Nut     |
| 12   | 006-109-00 | 5/8-18 90° Cone Nut      |
| ns   | 006-058-00 | 5/8-18 Flange Nut        |

Note: Spindle is not available for resale.

## Hubs

(After May 2000 for cast backing plate brakes)

| Item | Part No.   | Description       | Bolt Circle |
|------|------------|-------------------|-------------|
| 24   | 008-393-10 | Grease 1/2" Stud  | 8 on 6.50   |
| 24   | 008-393-04 | Grease 9/16" Stud | 8 on 6.50   |
| 24   | 008-393-06 | Grease 5/8" Stud  | 8 on 6.50   |
| 24   | 008-393-09 | Oil 1/2" Stud     | 8 on 6.50   |
| 24   | 008-393-03 | Oil 9/16" Stud    | 8 on 6.50   |
| 24   | 008-393-05 | Oil 5/8" Stud     | 8 on 6.50   |

## Brakes

(After May 2000 with cast backing plate brakes)

| Item | Part No.   | Description                                  |
|------|------------|--|
| 17   | 036-118-20 | Dust Shield not included with brake assembly |
| 20   | K23-429-00 | RH 12 1/4" x 2 1/2" Electric Brakes          |
| 20   | K23-428-00 | LH 12 1/4" x 2 1/2" Electric Brakes          |

## Service Parts Not Interchangeable With Cast Parts

## Hubs

(Before May 2000 for stamped backing plate brakes)

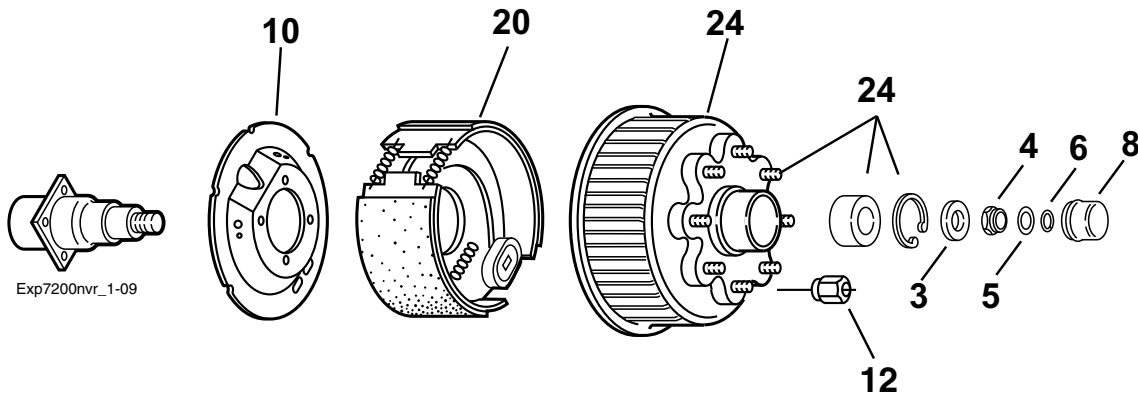
| Item | Part No.   | Description       | Bolt Circle |
|------|------------|-------------------|-------------|
| 24   | 008-355-13 | Grease 9/16" Stud | 8 on 6.50   |
| 24   | 008-355-15 | Grease 5/8" Stud  | 8 on 6.50   |
| 24   | 008-355-12 | Oil 9/16" Stud    | 8 on 6.50   |
| 24   | 008-355-14 | Oil 5/8" Stud     | 8 on 6.50   |

## Brakes

(Before May 2000 with stamped backing plate brakes)

| Item | Part No.   | Description                                       |
|------|------------|---|
| 17   | 036-110-00 | Dust Shield (top) included with brake assembly    |
| 17   | 036-110-01 | Dust Shield (bottom) included with brake assembly |
| 20   | K23-369-00 | RH 12 1/4" x 2 1/2" Electric Brakes               |
| 20   | K23-370-00 | LH 12 1/4" x 2 1/2" Electric Brakes               |

ns - not shown



### Nev-R-Lube® Parts 50MM

| Item | Part No.   | Description          |
|------|------------|----------------------|
| 3    | 005-149-00 | Spindle Washer       |
| 4    | 006-183-00 | Spindle Nut          |
| 5    | 092-002-00 | Washer, Torque Label |
| 6    | 069-096-00 | Snap Ring            |
| 8    | 021-086-00 | Grease Cap           |

### 12¼" x 2½" Brakes

| Item | Part No.              | Description                        |
|------|-----------------------|------------------------------------|
| 10   | 036-118-20            | Dust Shield                        |
| 20   | K23-428-00/K23-429-00 | LH/RH Manual Adjust Electric Brake |

Note: Spindle is not available for resale.

### Hubs With Bearing and Wheel Studs

| Item | Part No.   | Description   | Bolt Circle |
|------|------------|---|-------------|
| 24   | 008-395-80 | Hub and Drum includes:<br>007-223-00 9/16" Press-in Studs<br>031-071-03 50mm Bearing Cartridge<br>069-093-00 Bearing Retainer | 8 on 6.50   |
| ns   | 008-395-81 | Hub and Drum includes:<br>007-224-00 5/8" Press-in Studs<br>031-071-03 50mm Bearing Cartridge<br>069-093-00 Bearing Retainer  | 8 on 6.50   |

### Wheel Nuts

| Item | Part No.   | Description          |
|------|------------|----------------------|
| 12   | 006-053-00 | 9/16-18 60° Cone Nut |
| ns   | 006-109-00 | 5/8-18 90° Cone Nut  |
| ns   | 006-058-00 | 5/8-18 Flange Nut    |

ns - not shown

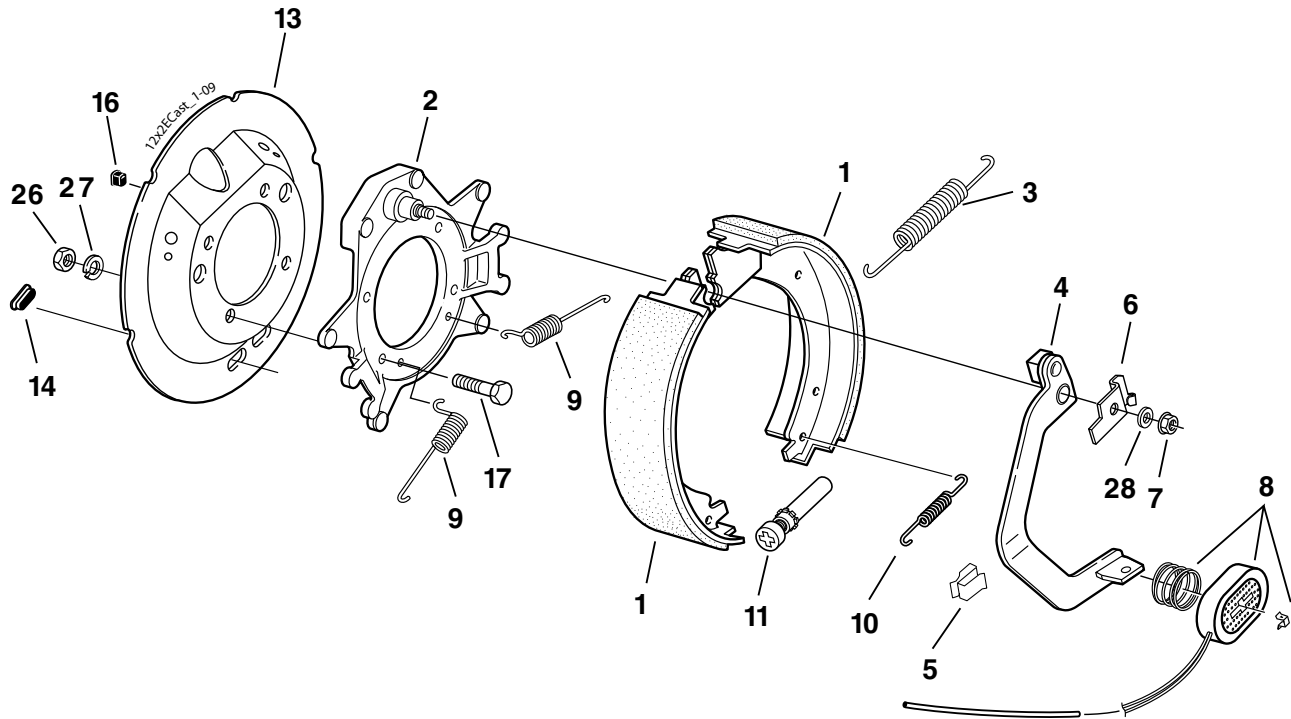


# 12¼" x 2½" Electric Brake – Cast Backing Plate



CSA approved at 7100#/14.2 SLR

**7200 LBS. CAPACITY**



## Electric Brake

| Item | Part No.   | Qty/Brk | Description  |
|------|------------|---------|--|
| 0    | K23-428-00 | 1       | LH Complete Brake Assembly (shown)   |
| 0    | K23-429-00 | 1       | RH Complete Brake Assembly   |
| 1    | K71-497-00 | 1       | LH Shoe & Lining Kit Contains:<br>1 #040-348-01 LH Primary Shoe & Lining<br>1 #040-349-02 LH Secondary Shoe & Lining |
| 1    | K71-496-00 | 1       | RH Shoe & Lining Kit Contains:<br>1 #040-349-01 RH Primary Shoe & Lining<br>1 #040-348-02 RH Secondary Shoe & Lining |
| 2    | 036-119-02 | 1       | Backing Plate  |
| 3    | 046-119-00 | 1       | Shoe Return (gray)   |
| 4    | 047-124-05 | 1       | LH Actuating Lever Arm Assembly  |
| 4    | 047-125-05 | 1       | RH Actuating Lever Arm Assembly  |
| 5    | 027-039-00 | 3       | Wire Clip  |
| 6    | 071-455-01 | 1       | LH Lever Arm Retainer  |
| 6    | 071-455-02 | 1       | RH Lever Arm Retainer  |
| 7    | 006-092-01 | 1       | Flange Nut   |
| 8    | K71-441-00 | 1       | Magnet Kit Contains:<br>1 #042-136-00 Magnet<br>1 #027-050-00 Magnet Retainer<br>1 #046-117-00 Magnet Spring         |
| 9    | 046-136-00 | 2       | Centering Spring   |
| 10   | 046-018-00 | 1       | Adjuster Spring (red)  |
| 11   | 048-017-00 | 1       | Adjuster Assembly  |
| *13  | 036-118-20 | 1       | Dust Shield (sold separately)  |
| *14  | 046-007-00 | 2       | Adjuster Slot Plug   |
| *16  | 046-016-00 | 1       | Magnet Wire Grommet  |
| *17  | 007-251-00 | 4       | Brake Mounting Bolt  |
| *26  | 006-129-00 | 4       | Hex Nut  |
| *27  | 005-058-00 | 4       | Lock Washer  |
| 28   | 005-142-00 | 1       | Washer   |

\* Not included with complete brake assembly. Item sold separately.

**Brakes manufactured after May 2000 use the cast backing plate**

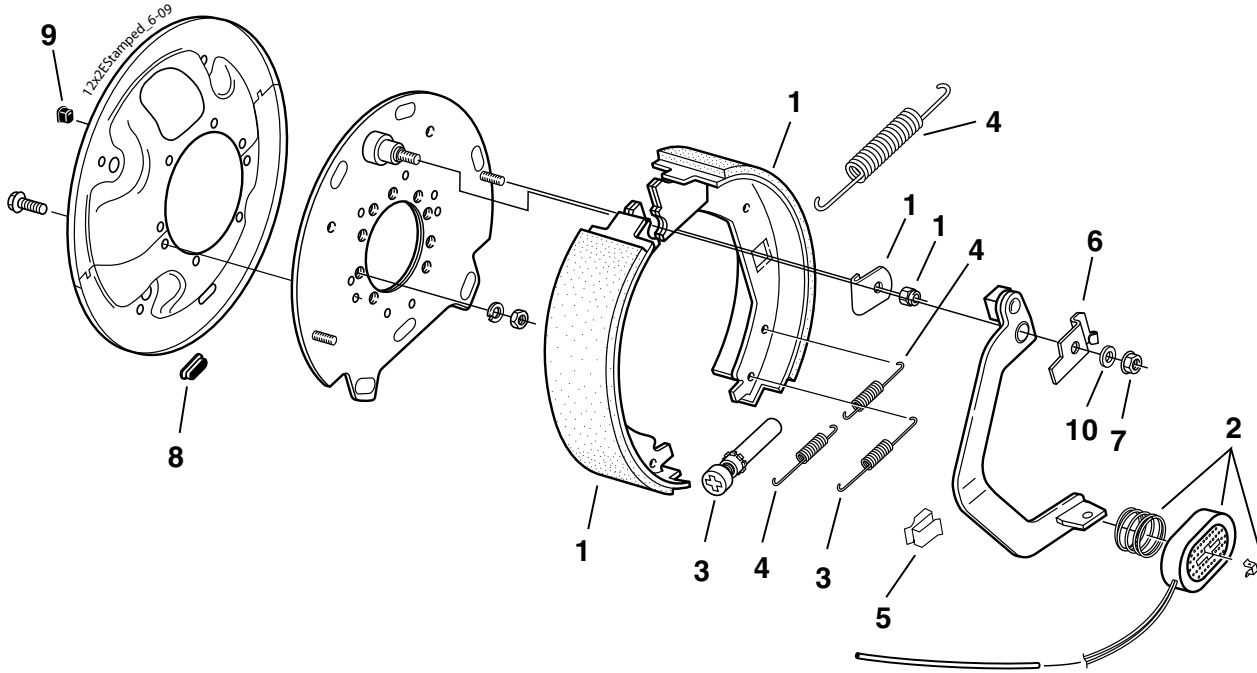
# 12¼" x 2½" Electric Brake – Stamped Backing Plate



Service Parts Only

CSA approved at 7100#/14.2 SLR

7200 LBS. CAPACITY



## Electric Brake – Service Parts Only

| Item | Part No.   | Qty/Brk | Description   |
|------|------------|---------|---|
| 0    | K23-369-00 | 1       | RH Complete Brake Assembly (shown)  |
| 0    | K23-370-00 | 1       | LH Complete Brake Assembly  |
| 1    | K71-410-00 | 1       | Shoe & Lining Kit Contains:<br>1 #040-310-01 RH Primary S&L or LH Secondary S&L<br>1 #040-309-01 LH Primary S&L or RH Secondary S&L<br>2 #005-107-00 Shoe Hold Down Washer<br>2 #006-127-00 Locknut |
| 2    | K71-441-00 | 1       | Magnet Kit Contains:<br>1 #042-136-00 Magnet<br>1 #027-050-00 Magnet Retainer<br>1 #046-117-00 Magnet Spring  |
| 3    | K71-411-00 | 1       | Adjusting Screw Kit Contains:<br>1 #046-018-00 Adjuster Spring (red)<br>1 #046-017-00 Adjuster Assembly   |
| 4    | K71-412-00 | 1       | Brake Spring Kit Contains:<br>1 #046-119-00 Shoe Return (gray)<br>1 #046-117-00 Magnet Spring<br>2 #046-120-00 Centering Spring<br>1 #046-018-00 Adjuster Spring (red)                              |
| 5    | 027-039-00 | 3       | Wire Clip   |
| 6    | 071-455-01 | 1       | LH Lever Arm Retainer   |
| 6    | 071-455-02 | 1       | RH Lever Arm Retainer   |
| 7    | 006-092-01 | 1       | Flange Nut  |
| 8    | 046-007-00 | 2       | Adjuster Slot Plug  |
| 9    | 046-016-00 | 1       | Magnet Wire Grommet   |
| 10   | 005-142-00 | 1       | Washer  |

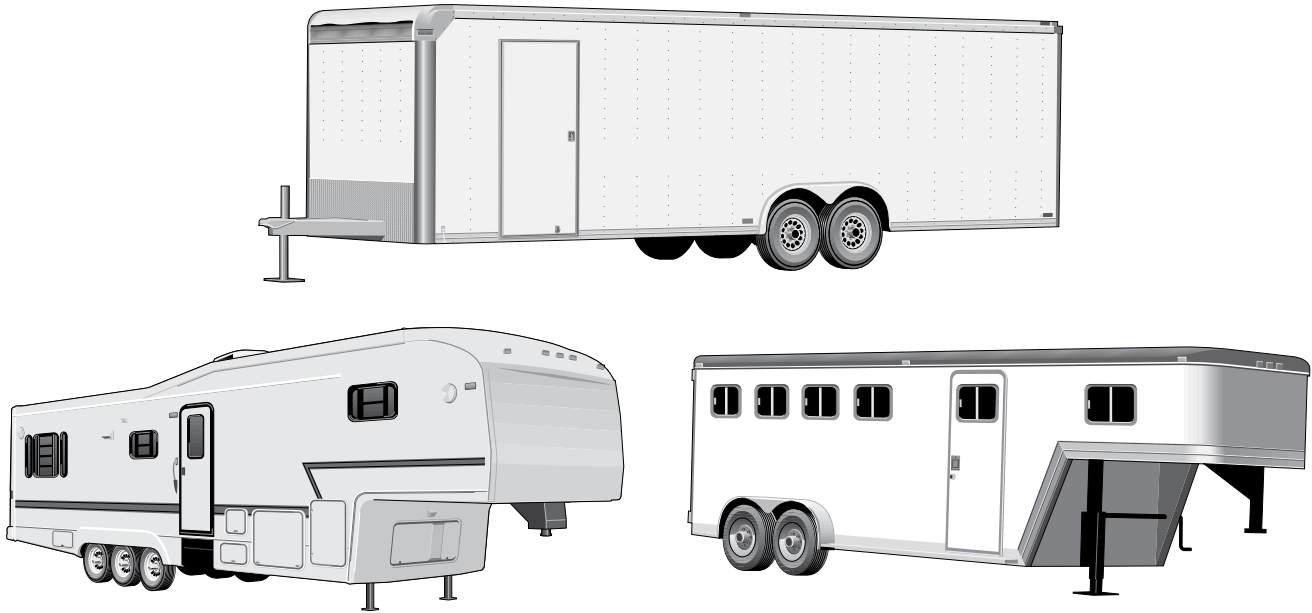
Note: Only numbered items are available.

**Brakes manufactured before May 2000 use the stamped backing plate**

# AIRFLEX® Light Trailer Suspension System

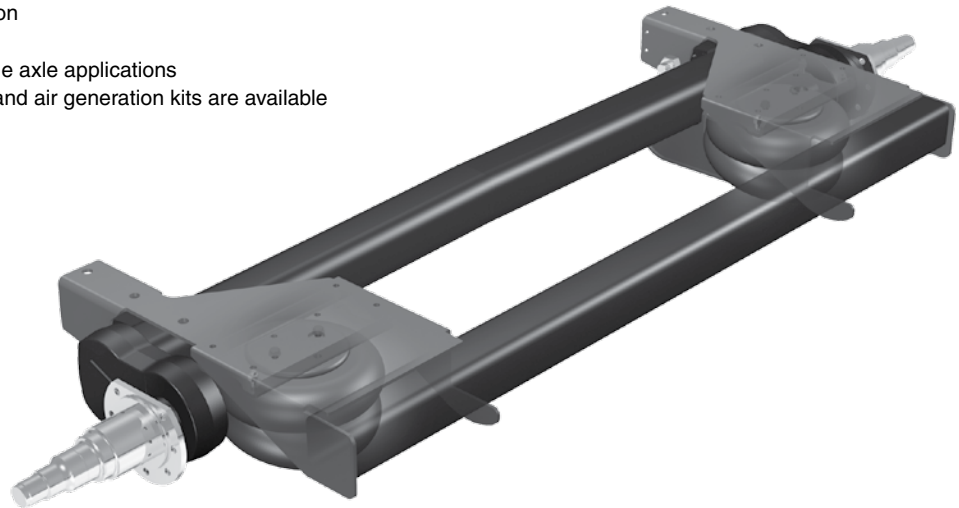


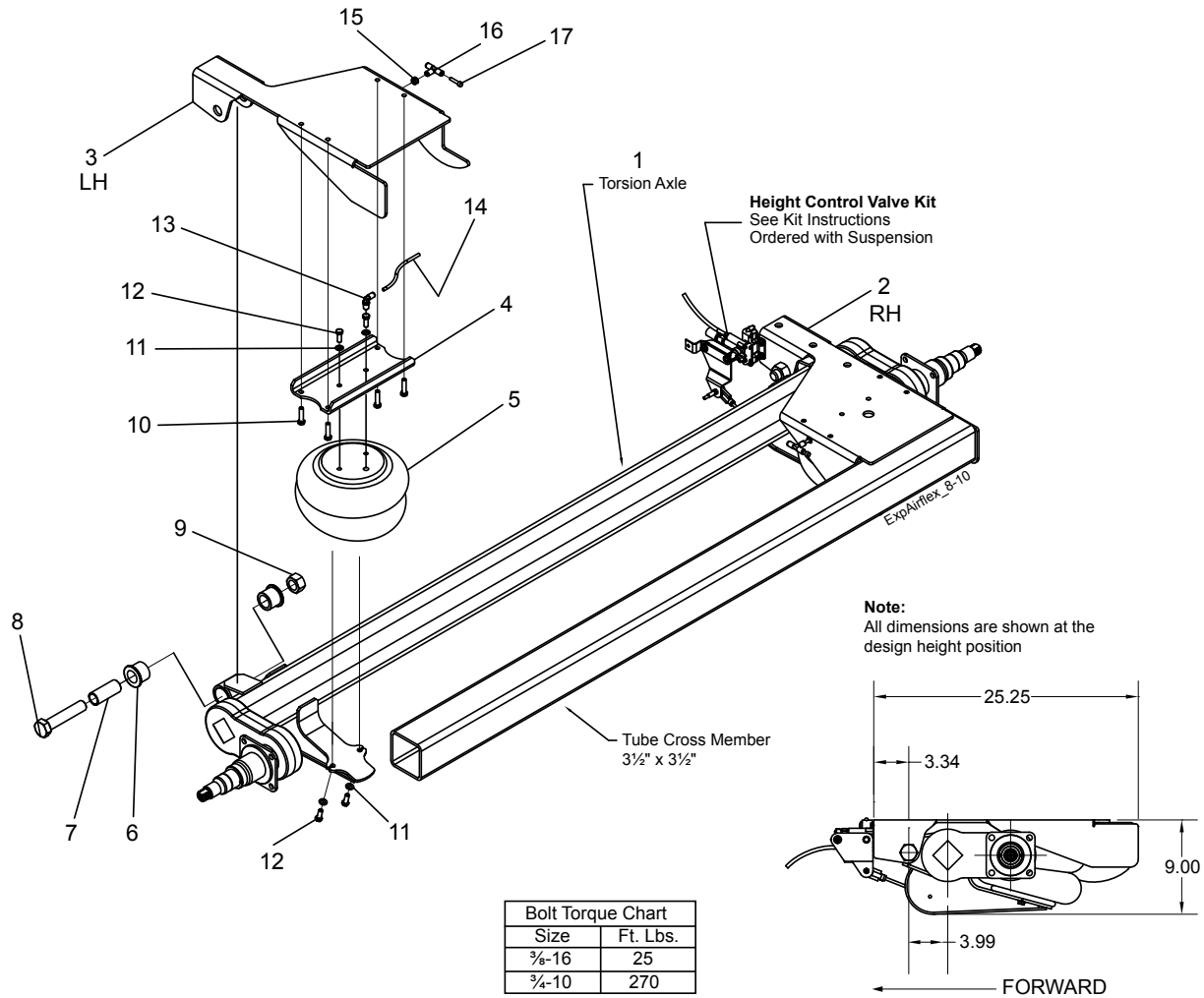
7200 LBS. CAPACITY



## Smooth Out the Roughest Roads

- Soft Ride – New hybrid suspension combines air and rubber torsion for an excellent ride
- Independent – Ride and stability improve with independent wheel action
- Equalizing – Axle-to-axle load equalization allows use on triple axle trailers
- Reliable – Rubber cushions ride even if air is not available
- Maintains constant ride height for the ultimate ride
- Fully assembled for easy installation
- Adjustable axle alignment feature
- Available for single, tandem or triple axle applications
- Optional ride height control valve and air generation kits are available
- 2 year limited warranty





### AIRFLEX® Suspension Components 7200#

| Item | Part No.     | Qty/Axle | Description                           |
|------|--------------|----------|---------------------------------------|
| 1    | n/a          | 1        | Torsion Axle with Suspension Brackets |
| 2    | 003-327-00   | 1        | RH Frame Bracket                      |
| 3    | 003-326-00   | 1        | LH Frame Bracket                      |
| 4    | 003-323-00   | 2        | Channel, Air Spring Support           |
| 5    | W01-358-6947 | 2        | Firestone Air Spring                  |
| 6    | 014-123-00   | 2        | Pivot Bushing Kit                     |
| 7    | 014-127-00   | 2        | Bushing Spacer/Liner                  |
| 8    | n/a          | 2        | 3/4-10 UNC x 4.5" LG HHCS             |
| 9    | n/a          | 2        | 3/4-10 UNC Stover Lock Nut            |
| 10   | n/a          | 8        | 3/8-16 UNC x 1.5" LG HHCS             |
| 11   | n/a          | 8        | 3/8 Regular Split Lock Washer         |
| 12   | n/a          | 8        | 3/8-16 UNC x 1" LG HHCS               |
| 13   | n/a          | 2        | 1/4 NPTM x 1/4 T 90° Elbow, Swivel    |
| 14   | n/a          | 2        | 1/4 x 6.25" LG Nylon Tube             |
| 15   | n/a          | 2        | Grommet                               |
| 16   | n/a          | 2        | 1/4 T Union Tee                       |
| 17   | n/a          | 2        | 1/4 T Plug                            |

#### Air Supply Kits

|    |            |   |                                    |
|----|------------|---|------------------------------------|
| ns | K71-692-01 | - | Ride Height Control Kit            |
| ns | K71-692-02 | - | Air Supply and Control Kit         |
| ns | K71-692-03 | - | Air Control Kit Without Air Supply |

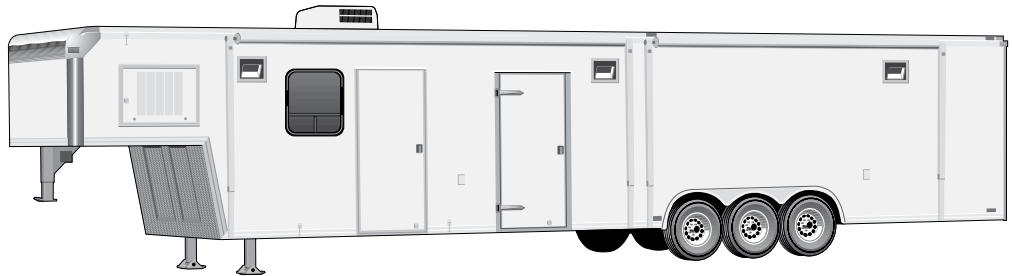
n/a - not available

ns - not shown



# General Applications

8000 LBS. CAPACITY



## Axle Types

### 8000 Lbs. Capacity

- Complete service manual
- Precision machined steel spindles and integral cast iron hub/drums
- Standard oil bath lubrication; grease or Nev-R-Lube® option
- Press-in wheel studs, 1/16" or 5/8"
- Hydraulic brakes are available with and without parking feature
- Hydraulic brakes – uni-servo and duo-servo available
- Hydraulic disc brakes available
- 12 1/4" x 3 3/8" self adjusting electric and hydraulic brakes
- Inner wiring system for easier installation and protection of brake wiring
- Heavy wall 3 1/2" diameter tube
- Straight or Drop spindles (4" drop only)
- High quality alloy steel springs in a variety of capacities
- Single, tandem or triple axle assemblies with equalized suspensions

### D80 LEAF SPRING



- Slipper leaf spring suspension
- Heavy duty suspension parts available
- Optional rubber bushed suspension
- Optional hanger and attaching parts kits available
- Durable, wear-resistant components
- 2 year limited warranty



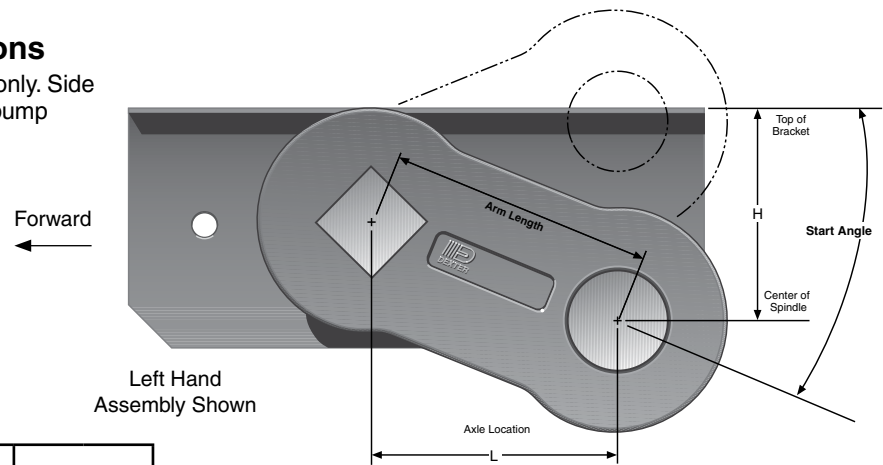
- Totally rubber-cushioned for smooth, quiet, independent ride
- Easy installation with less maintenance
- Less transfer of road shock which insulates cargo from road shocks and vibration
- Rubber cords compounded for maximum dependability and durability
- Load-carrying cross member
- Self-damping action
- Independent wheel suspension system
- 5 year limited warranty on suspension system
- Low profile for maximum road clearance
- Various starting angles to control trailer height
- High and low profile brackets with optional mounting brackets are available
- Rubber cushioning eliminates metal-to-metal contact
- Shock absorption provided by the natural hysteresis of rubber
- Single or tandem axle assemblies
- Durable, wear-resistant components

**CAUTION:** Triple axle assemblies are NOT recommended for Torflex® axles.



## Articulation Dimensions

Dimensions are for top mount only. Side mount is .31" higher. Allow 3" bump clearance from full load.



| Start Angle | Bracket Profile | No Load |      | Full Load |      | Shock Load |      |
|-------------|-----------------|---------|------|-----------|------|------------|------|
|             |                 | H       | L    | H         | L    | H          | L    |
| 45° Down    | Low             | 6.49    | 4.24 | 4.55      | 5.54 | 3.55       | 5.86 |
|             | High            | 7.18    | 4.24 | 5.24      | 5.54 | 4.24       | 5.86 |
| 22.5° Down  | Low             | 4.55    | 5.54 | 2.25      | 6.00 | 1.21       | 5.91 |
|             | High            | 5.24    | 5.54 | 2.94      | 6.00 | 1.90       | 5.91 |
| 10° Down    | Low             | 3.29    | 5.91 | 0.95      | 5.86 | -0.05      | 5.54 |
|             | High            | 3.98    | 5.91 | 1.64      | 5.86 | 0.64       | 5.54 |
| 0°          | Low             | 2.25    | 6.00 | -0.05     | 5.54 | -0.97      | 5.06 |
|             | High            | 2.94    | 6.00 | 0.64      | 5.54 | -0.28      | 5.06 |
| 10° Up      | Low             | 1.21    | 5.91 | -0.97     | 5.06 | -1.80      | 4.42 |
|             | High            | 1.90    | 5.91 | -0.28     | 5.06 | -1.11      | 4.42 |
| 22.5° Up    | Low             | -0.05   | 5.54 | -1.99     | 4.24 | -2.66      | 3.44 |
|             | High            | 0.64    | 5.54 | -1.30     | 4.24 | -1.97      | 3.44 |

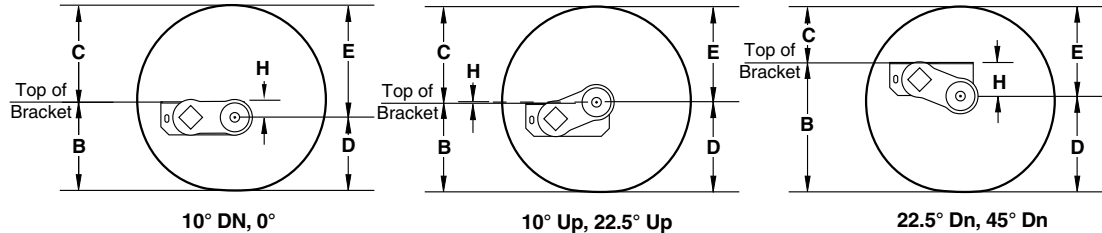
| #13 Overhang Per Side |       |        |
|-----------------------|-------|--------|
| Spindle               | Min.  | Max.   |
| Short                 | 8.50" | 21.50" |
| Standard              | 9.00" | 21.50" |

**Note:** Positive numbers in the H column indicate the spindle is BELOW the top of the bracket. Conversely, negative numbers are ABOVE the top of the bracket.



## Full Load Dimensions

Dimensions are for low profile, top mount only. High profile brackets are .75" higher. Side mount is .31" higher. Allow 3" bump clearance from full load.



## Start Angle

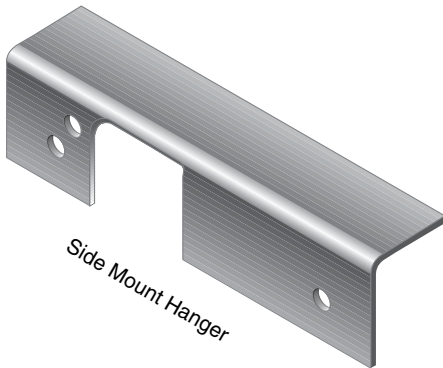
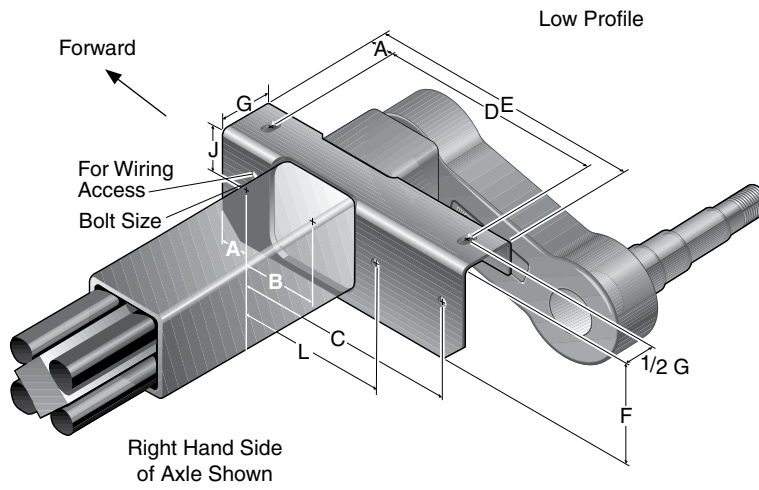
| Tire        | * ** |      | 45° Down |      |      | 22.5° Down |      |      | 10° Down |      |      | 0°   |      |      | 10° Up |      |      | 22.5° Up |      |      |
|-------------|------|------|----------|------|------|------------|------|------|----------|------|------|------|------|------|--------|------|------|----------|------|------|
|             | D    | E    | H        | B    | C    | H          | B    | C    | H        | B    | C    | H    | B    | C    | H      | B    | C    | H        | B    | C    |
| 10R17.5HC   | 15.6 | 18.0 | 4.6      | 20.2 | 13.4 | 2.3        | 17.9 | 15.7 | 1.0      | 16.6 | 17.0 | -0.1 | 15.5 | 18.1 | -1.0   | 14.6 | 19.0 | -2.0     | 13.6 | 20.0 |
| 215/75R17.5 | 14.0 | 15.3 | 4.6      | 18.6 | 10.7 | 2.3        | 16.3 | 13.0 | 1.0      | 15.0 | 14.3 | -0.1 | 13.9 | 15.4 | -1.0   | 13.0 | 16.3 | -2.0     | 12.0 | 17.3 |
| 12-16.5LT   | 14.9 | 15.8 | 4.6      | 19.5 | 11.2 | 2.3        | 17.2 | 13.5 | 1.0      | 15.9 | 14.8 | -0.1 | 14.8 | 15.9 | -1.0   | 13.9 | 16.8 | -2.0     | 12.9 | 17.8 |
| 9.50-16.5LT | 14.1 | 15.2 | 4.6      | 18.7 | 10.6 | 2.3        | 16.4 | 12.9 | 1.0      | 15.1 | 14.2 | -0.1 | 14.0 | 15.3 | -1.0   | 13.1 | 16.2 | -2.0     | 12.1 | 17.2 |
| 9R 17.5HC   | 15.4 | 17.1 | 4.6      | 20.0 | 12.5 | 2.3        | 17.7 | 14.8 | 1.0      | 16.4 | 16.1 | -0.1 | 15.3 | 17.2 | -1.0   | 14.4 | 18.1 | -2.0     | 13.4 | 19.1 |

Columns D and E are dimensional examples only:  
 \* D – Static Loaded Radius  
 \*\* E – Inflated Radius

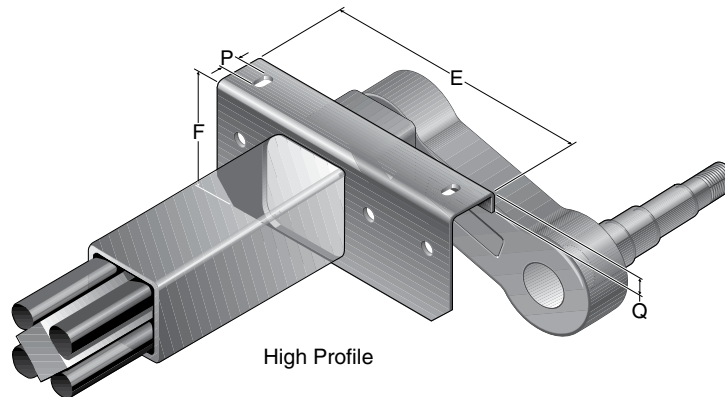


**8000 LBS. CAPACITY**

## **13** Bracket Dimensions



| #13 Bracket Dimensions |           |       |
|------------------------|-----------|-------|
|                        | Low       | High  |
| A                      | 1.22      | 1.22  |
| B                      | 3.63      | 3.63  |
| C                      | 10.56     | 10.56 |
| D                      | 10.56     | 10.56 |
| E                      | 13.00     | 13.00 |
| F                      | 4.81      | 5.50  |
| G                      | 2.50      | 2.50  |
| J                      | 2.25      | 2.25  |
| L                      | 7.26      | 7.26  |
| P                      | ----      | 1.00  |
| Q                      | ----      | 1.00  |
| Bolt Size              | 5/8" bolt |       |
| Tube Size              | 3.88      | 3.88  |



# Leaf Spring Application Information



**8000 LBS. CAPACITY**

## Slipper Spring Axle Assemblies

### Hanger Kits

| Part No.   | Description   | Height | Quantity Per Kit |            |            |
|------------|---------------|--------|------------------|------------|------------|
|            |               |        | HGR-138-00       | HGR-238-00 | HGR-338-00 |
| 028-009-01 | Front Hanger  | 5.00"  | 2                | 2          | 2          |
| 029-005-01 | Center Hanger | 4.50"  | ----             | 2          | 4          |
| 030-006-01 | Rear Hanger   | 6.38"  | 2                | 2          | 2          |

### Attaching Parts Kits

| Part No.   | Description     | A/P-103-00 | A/P-202-00 <sup>§</sup> | A/P-216-00 <sup>‡</sup> | A/P-302-00 <sup>§</sup> | A/P-316-00 <sup>‡</sup> |
|------------|-----------------|------------|-------------------------|-------------------------|-------------------------|-------------------------|
| 006-007-01 | 5/16-18 Locknut | 2          | 4                       | 4                       | 6                       | 6                       |
| 006-011-00 | Keeper Nut      | 2          | 4                       | 4                       | 6                       | 6                       |
| 006-111-00 | Equalizer Nut   | ----       | 2                       | 2                       | 4                       | 4                       |
| 007-001-01 | Equalizer Bolt  | ----       | 2                       | 2                       | 4                       | 4                       |
| 007-007-00 | Keeper Bolt     | 2          | 4                       | 4                       | 6                       | 6                       |
| 007-017-00 | Spring Eye Bolt | 2          | 4                       | 4                       | 6                       | 6                       |
| 013-004-00 | Equalizer       | ----       | 2                       | ----                    | 4                       | ----                    |
| 013-044-01 | Equalizer       | ----       | ----                    | 2                       | ----                    | 4                       |

§ For 33.5" axle spacing

‡ For 36" axle spacing

## Slipper Springs

|   | Single     | Tandem                  |                         | Triple                  |                         |
|---|------------|-------------------------|-------------------------|-------------------------|-------------------------|
|   | A/P-103-00 | A/P-202-00 <sup>§</sup> | A/P-216-00 <sup>‡</sup> | A/P-302-00 <sup>§</sup> | A/P-316-00 <sup>‡</sup> |
| A | 24.0       | ----                    | ----                    | ----                    | ----                    |
| B | ----       | 28.8                    | 30.4                    | 28.8                    | 30.4                    |
| C | ----       | 33.5                    | 36.0                    | 33.5                    | 36.0                    |
| D | 11.5       | 11.5                    | 11.5                    | 11.5                    | 11.5                    |
| E | ----       | ----                    | ----                    | 33.0                    | 35.0                    |

**Note:** All 2" wide slipper springs

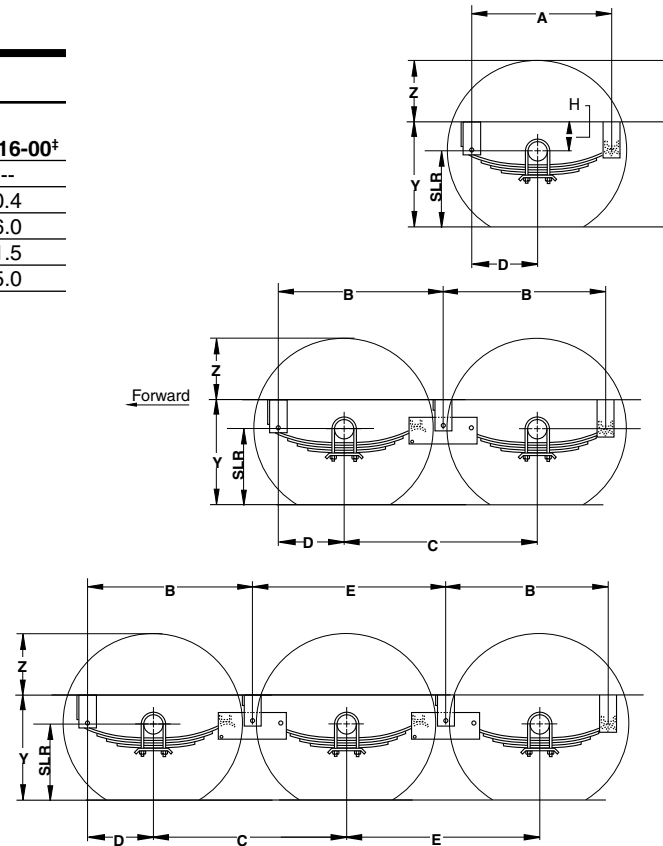
§ For 33.5" axle spacing

‡ For 36" axle spacing

A, B, E – Hanger Spacing  
 C – Axle Spacing  
 D – Axle Location  
 H – Center of Spindle  
 Y – Frame Height  
 Z – Top of Tire to Bottom of Frame  
 SLR – Static Load Radius

To determine these values, contact your local sales engineer or distributor to run ProSpec™.

Some combinations of hangers and spring mountings may result in insufficient bump clearance. Refer to the Miscellaneous section for additional hanger kits, A/P kits, or other tires.



## D80 Overhang Per Side

|          | Min.  | Max.  |
|----------|-------|-------|
| Straight | 8.00" | 9.50" |
| 4" Drop  | 9.00" | 9.50" |

### Single Axles

require 1 HAP-105-00 kit

### Tandem Axles

require 1 HAP-105-00 kit and 1 HAP-205-01 kit

### Triple Axles

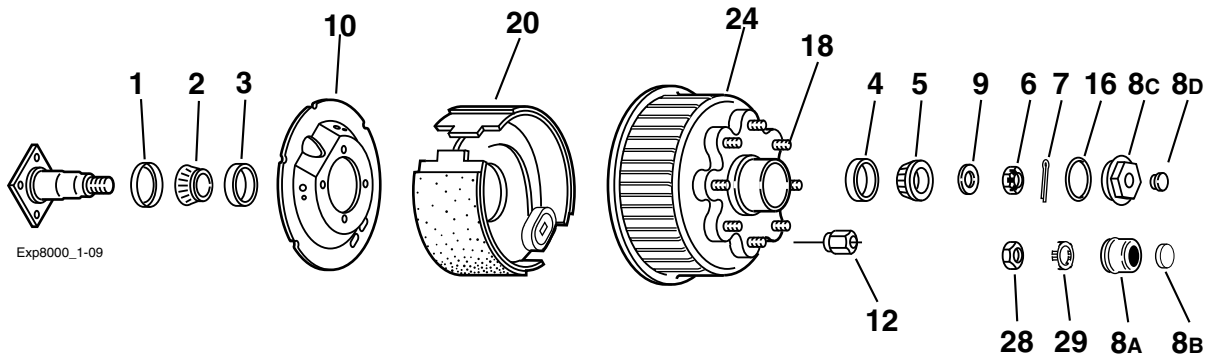
require 1 HAP-105-00 kit and 2 HAP-205-01 kits

## Rubber Bushed Suspension

| Part No.   | Description         | Height | HAP-105-00 | HAP-205-01 |
|------------|---------------------|--------|------------|------------|
| 028-068-02 | Front Hanger        | 5.50"  | 2          | ----       |
| 029-039-04 | Center Hanger       | 4.50"  | ----       | 2          |
| 030-068-02 | Rear Hanger         | 4.85"  | 2          | ----       |
| 006-011-00 | 5/16-18 UNC Locknut | ----   | 2          | 2          |
| 006-038-00 | 5/8-11 UNC Locknut  | ----   | 2          | 2          |
| 006-112-00 | 1-8 UNC Locknut     | ----   | ----       | 2          |
| 007-007-00 | Keeper Bolt         | ----   | 2          | 2          |
| 007-181-00 | Spring Eye Bolt     | ----   | 2          | 2          |
| 007-182-00 | Equalizer Bolt      | ----   | ----       | 2          |
| 013-117-03 | Equalizer           | ----   | ----       | 2          |
| 059-200-00 | Decal               | ----   | 1          | 1          |
| 059-203-00 | Instruction Sheet   | ----   | 1          | 1          |



# 865 Hub Group



### Grease Lube Parts

| Item | Part No.   | Description                                     |
|------|------------|---|
| 1    | 010-036-00 | Seal  |
| 2    | 031-030-02 | 25580 Inner Bearing Cone                        |
| 3    | 031-030-01 | 25520 Inner Bearing Cup                         |
| 4    | 031-028-01 | 02420 Outer Bearing Cup                         |
| 5    | 031-028-02 | 02475 Outer Bearing Cone                        |
| 6    | 006-176-00 | Spindle Nut                                     |
| 7    | 019-002-00 | Cotter Pin (not used with E-Z Lube®)            |
| ns   | 021-039-00 | Grease Cap                                      |
| 8A   | 021-043-01 | Grease Cap for E-Z Lube®                        |
| 8B   | 085-001-00 | E-Z Lube® Rubber Plug                           |
| 9    | 005-057-00 | Spindle Washer                                  |
| 28   | 006-191-00 | Special Jam Nut for E-Z Lube® (after 2002)      |
| 29   | 006-190-00 | Spindle Nut Retainer for E-Z Lube® (after 2002) |

### Oil Lube Parts

| Item | Part No.   | Description                         |
|------|------------|-------------------------------------|
| 1    | 010-063-00 | Seal (Unitized)                     |
| 2    | 031-030-02 | 25580 Inner Bearing Cone            |
| 3    | 031-030-01 | 25520 Inner Bearing Cup             |
| 4    | 031-028-01 | 02420 Outer Bearing Cup             |
| 5    | 031-028-02 | 02475 Outer Bearing Cone            |
| 6    | 006-176-00 | Spindle Nut                         |
| 7    | 019-002-00 | Cotter Pin                          |
| 8C   | 021-035-00 | Oil Cap                             |
| 8D   | 046-032-00 | Oil Cap Plug                        |
| 9    | 005-057-00 | Spindle Washer                      |
| ns   | 046-052-00 | Oil Filler Plug (service part only) |
| 16   | 010-045-00 | 'O' Ring for Oil Lube               |

### ABS Components

| Part No.   | Description            |
|------------|------------------------|
| 097-004-00 | Sensor, Straight       |
| 024-204-00 | Sensor Block, Screw-In |
| 097-002-00 | Sensor Retainer Clip   |
| 024-205-01 | Sensor Tone Ring       |

Note: Spindle is not available for resale.

### 12¼" x 3⅜" Brakes

| Item | Part No.              | Description                            |
|------|-----------------------|--|
| 10   | 036-115-20            | Dust Shield                            |
| 10   | 036-115-24            | Dust Shield for brakes with park       |
| 20   | K23-434-00/K23-435-00 | LH/RH Electric Self-Adjust             |
| ns   | K23-432-00/K23-433-00 | LH/RH Electric Manual Adjust           |
| ns   | K23-402-00/K23-403-00 | LH/RH Hydraulic Self-Adjust Duo-Servo  |
| ns   | K23-171-00/K23-172-00 | LH/RH Hyd. Self-Adj Duo-Servo w/Park   |
| ns   | K23-418-00/K23-419-00 | LH/RH Hydraulic Uni-Servo              |
| ns   | K23-252-00/K23-253-00 | LH/RH Hydraulic Uni-Servo w/Park       |
| ns   | K23-420-00/K23-421-00 | LH/RH Self Adj. DS Corrosion Resistant |
| ns   | K23-388-00/K23-387-00 | LH/RH Hyd. Manual Adjust Duo-Servo     |

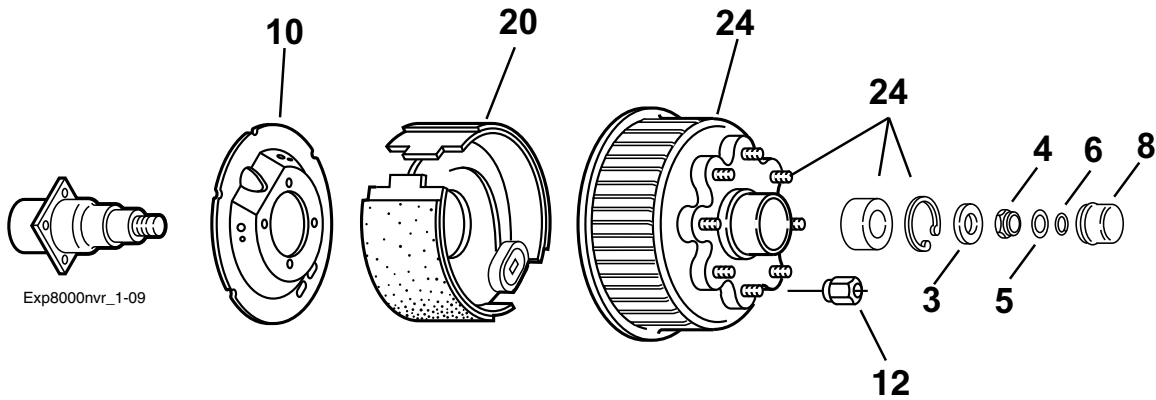
### Hubs

| Item                  | Part No.   | Description        | Bolt Circle |
|-----------------------|------------|--------------------|-------------|
| <b>Hubs and Drums</b> |            |                    |             |
| 24                    | 008-285-08 | Grease ⅝" Stud     | 8 on 6.50   |
| 24                    | 008-285-15 | Grease ⅝" Stud ABS | 8 on 6.50   |
| 24                    | 008-285-11 | Grease ⅞" Stud     | 8 on 6.50   |
| 24                    | 008-285-13 | Grease ⅞" Stud ABS | 8 on 6.50   |
| 24                    | 008-285-10 | Oil ⅝" Stud        | 8 on 6.50   |
| 24                    | 008-285-14 | Oil ⅝" Stud ABS    | 8 on 6.50   |
| 24                    | 008-285-09 | Oil ⅞" Stud        | 8 on 6.50   |
| 24                    | 008-285-12 | Oil ⅞" Stud ABS    | 8 on 6.50   |
| <b>Plain Hubs</b>     |            |                    |             |
| ns                    | 008-287-07 | Grease ⅝" Stud     | 8 on 6.50   |
| ns                    | 008-287-11 | Grease ⅞" Stud     | 8 on 6.50   |
| ns                    | 008-287-14 | Oil ⅞" Stud        | 8 on 6.50   |
| ns                    | 008-287-17 | Oil ⅝" Stud        | 8 on 6.50   |

### Studs & Wheel Nuts

| Item | Part No.   | Description        |
|------|------------|--------------------|
| 12   | 006-053-00 | ⅞-18 60° Cone Nut  |
| 12   | 006-109-00 | ⅞-18 90° Cone Nut  |
| 18   | 007-132-00 | ⅞-18 Press-in Stud |
| 18   | 007-232-00 | ⅞-18 Press-in Stud |
| ns   | 006-058-00 | ⅞-18 Flange Nut    |

ns - not shown



### Nev-R-Lube® Parts 50MM

| Item | Part No.   | Description          |
|------|------------|----------------------|
| 3    | 005-149-00 | Spindle Washer       |
| 4    | 006-183-00 | Spindle Nut          |
| 5    | 092-002-00 | Washer, Torque Label |
| 6    | 069-096-00 | Snap Ring            |
| 8    | 021-086-00 | Grease Cap           |

### 12¼" x 3⅜" Brakes

| Item | Part No.              | Description                           |
|------|-----------------------|---------------------------------------|
| 10   | 036-115-20            | Dust Shield                           |
| 10   | 036-115-24            | Dust Shield for brakes with park      |
| 20   | K23-434-00/K23-435-00 | LH/RH Electric Self-Adjust            |
| ns   | K23-402-00/K23-403-00 | LH/RH Hydraulic Self-Adjust Duo-Servo |
| ns   | K23-171-00/K23-172-00 | LH/RH Hyd. Self-Adj Duo-Servo w/Park  |
| ns   | K23-418-00/K23-419-00 | LH/RH Hydraulic Uni-Servo             |
| ns   | K23-252-00/K23-253-00 | LH/RH Hydraulic Uni-Servo w/Park      |

### ABS Hubs Without Bearing

| Item | Part No.   | Description        | Bolt Circle |
|------|------------|--------------------|-------------|
| 24   | 008-389-09 | Grease ⅝" Stud ABS | 8 on 6.50   |
| 24   | 008-389-12 | Grease ⅞" Stud ABS | 8 on 6.50   |

Note: Spindle is not available for resale.

### Hubs With Bearing and Wheel Studs

| Item | Part No.   | Description  | Bolt Circle |
|------|------------|--|-------------|
| 24   | 008-389-81 | Hub and Drum includes:<br>007-223-00 ⅞" Press-in Studs<br>031-071-03 50mm Bearing Cartridge<br>069-093-00 Bearing Retainer | 8 on 6.50   |
| ns   | 008-389-80 | Hub and Drum includes:<br>007-224-00 ⅞" Press-in Studs<br>031-071-03 50mm Bearing Cartridge<br>069-093-00 Bearing Retainer | 8 on 6.50   |

### Wheel Nuts

| Item | Part No.   | Description       |
|------|------------|-------------------|
| 12   | 006-053-00 | ⅞-18 60° Cone Nut |
| ns   | 006-109-00 | ⅞-18 90° Cone Nut |

### ABS Components

| Part No.   | Description            |
|------------|------------------------|
| 097-004-00 | Sensor, Straight       |
| 024-204-00 | Sensor Block, Screw-In |
| 097-002-00 | Sensor Retainer Clip   |

ns - not shown

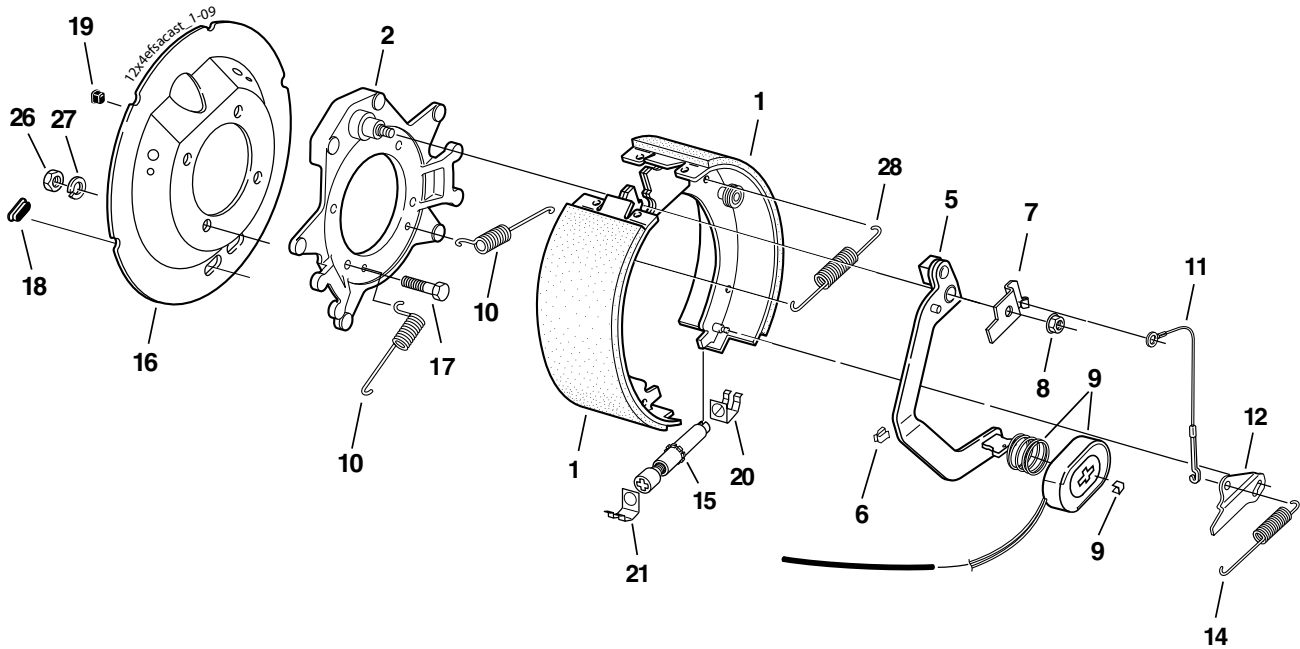
# 12¼" x 3⅜" 8K Electric Brake FSA



## Cast Backing Plate

CSA approved at 7000#/14.2 SLR

**8000 LBS. CAPACITY**



### Electric Brake

| Item | Part No.   | Qty/Brk | Description  |
|------|------------|---------|--|
| 0    | K23-434-00 | 1       | LH Complete Brake Assembly (shown)   |
| 0    | K23-435-00 | 1       | RH Complete Brake Assembly   |
| 1    | K71-499-00 | 1       | LH Shoe & Lining Kit Contains:<br>1 #040-350-01 LH Primary Shoe & Lining<br>1 #040-351-02 LH Secondary Shoe & Lining |
| 1    | K71-498-00 | 1       | RH Shoe & Lining Kit Contains:<br>1 #040-351-01 RH Primary Shoe & Lining<br>1 #040-350-02 RH Secondary Shoe & Lining |
| 2    | 036-119-02 | 1       | Backing Plate Assembly   |
| 5    | 047-123-38 | 1       | LH Actuating Arm Assembly  |
| 5    | 047-123-37 | 1       | RH Actuating Arm Assembly  |
| 6    | 027-039-00 | 3       | Wire Clip  |
| 7    | 071-455-01 | 1       | LH Arm/Shoe Retainer   |
| 7    | 071-455-02 | 1       | RH Arm/Shoe Retainer   |
| 8    | 006-092-01 | 1       | Flange Nut   |
| 9    | K71-375-00 | 1       | Magnet Kit Contains:<br>1 #042-127-00 Magnet<br>1 #027-050-00 Magnet Retainer Clip<br>1 #046-117-00 Magnet Spring    |
| 10   | 046-136-00 | 2       | Centering Spring   |
| 11   | 071-462-00 | 1       | Adjuster Cable   |
| 12   | 071-464-00 | 1       | LH Adjuster Lever  |
| 12   | 071-463-00 | 1       | RH Adjuster Lever  |
| 14   | 046-137-00 | 1       | Adjuster Spring  |
| 15   | 048-019-00 | 1       | LH Adjuster Assembly (silver)  |
| 15   | 048-020-00 | 1       | RH Adjuster Assembly (gold)  |
| *16  | 036-115-20 | 1       | Dust Shield  |
| *17  | 007-097-00 | 4       | Brake Mounting Bolt  |
| *18  | 046-007-00 | 2       | Adjuster Slot Plug   |
| *19  | 046-016-00 | 1       | Wire Grommet   |
| 20   | 046-133-00 | 1       | Adjuster Clip (barrel end)   |
| 21   | 046-132-00 | 1       | Adjuster Clip (thread end)   |
| *26  | 006-129-00 | 4       | Brake Mounting Nut   |
| *27  | 005-058-00 | 4       | Lock Washer  |
| 28   | 046-119-00 | 1       | Return Spring  |

\* Not included with complete brake assembly. Item sold separately.

**Brakes manufactured after April 2000 use the cast backing plate**

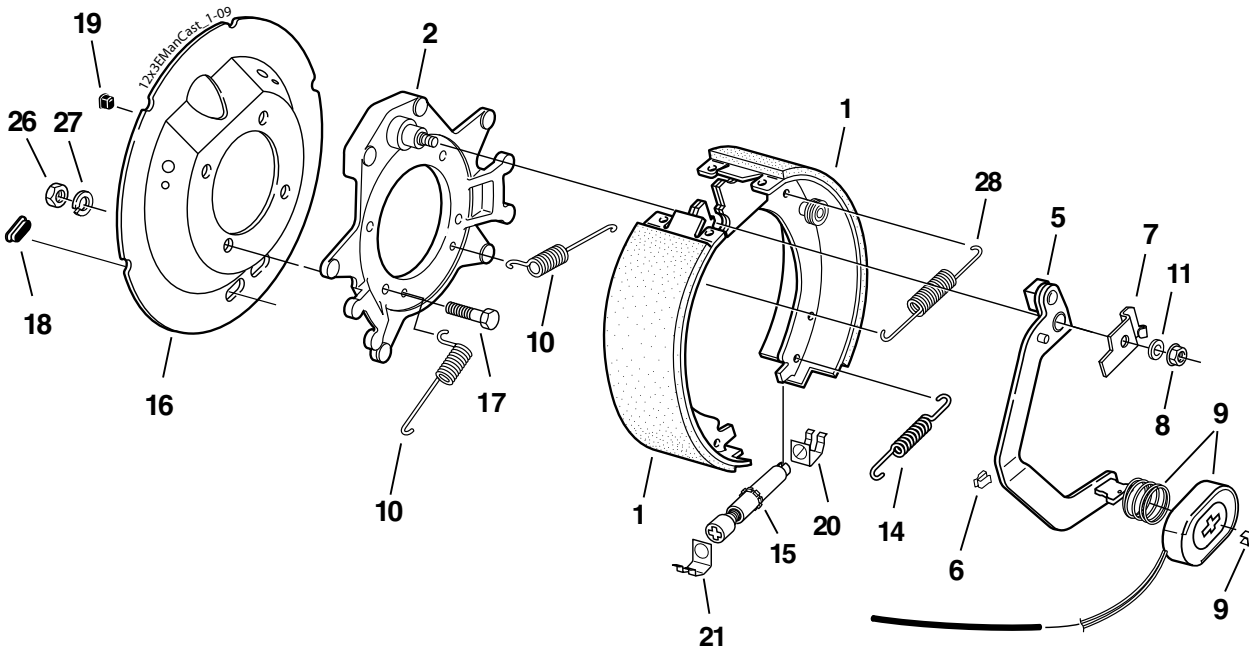
# 12¼" x 3⅜" 8K Electric Brake Manual Adjust



## Cast Backing Plate

CSA approved at 7000#/14.2 SLR

**8000 LBS. CAPACITY**



### Electric Brake

| Item | Part No.   | Qty/Brk | Description  |
|------|------------|---------|--|
| 0    | K23-432-00 | 1       | LH Complete Brake Assembly (shown)   |
| 0    | K23-433-00 | 1       | RH Complete Brake Assembly   |
| 1    | K71-499-00 | 1       | LH Shoe & Lining Kit Contains:<br>1 #040-350-01 LH Primary Shoe & Lining<br>1 #040-351-02 LH Secondary Shoe & Lining |
| 1    | K71-498-00 | 1       | RH Shoe & Lining Kit Contains:<br>1 #040-351-01 RH Primary Shoe & Lining<br>1 #040-350-02 RH Secondary Shoe & Lining |
| 2    | 036-119-02 | 1       | Backing Plate Assembly   |
| 5    | 047-123-18 | 1       | LH Actuating Arm Assembly  |
| 5    | 047-123-17 | 1       | RH Actuating Arm Assembly  |
| 6    | 027-039-00 | 3       | Wire Clip  |
| 7    | 071-455-01 | 1       | LH Arm/Shoe Retainer   |
| 7    | 071-455-02 | 1       | RH Arm/Shoe Retainer   |
| 8    | 006-092-01 | 1       | Flange Nut   |
| 9    | K71-375-00 | 1       | Magnet Kit Contains:<br>1 #042-127-00 Magnet<br>1 #027-050-00 Magnet Retainer Clip<br>1 #046-117-00 Magnet Spring    |
| 10   | 046-136-00 | 2       | Centering Spring   |
| 11   | 005-142-00 | 1       | Washer   |
| 14   | 046-018-00 | 1       | Adjuster Spring  |
| 15   | 048-017-00 | 1       | Adjuster Assembly  |
| *16  | 036-115-20 | 1       | Dust Shield  |
| *17  | 007-097-00 | 4       | Brake Mounting Bolt  |
| *18  | 046-007-00 | 2       | Adjuster Slot Plug   |
| *19  | 046-016-00 | 1       | Wire Grommet   |
| 20   | 046-132-00 | 1       | Adjuster Clip (thread end)   |
| 21   | 046-133-00 | 1       | Adjuster Clip (barrel end)   |
| *26  | 006-129-00 | 4       | Brake Mounting Nut   |
| *27  | 005-058-00 | 4       | Lock Washer  |
| 28   | 046-119-00 | 1       | Return Spring  |

\* Not included with complete brake assembly. Item sold separately.

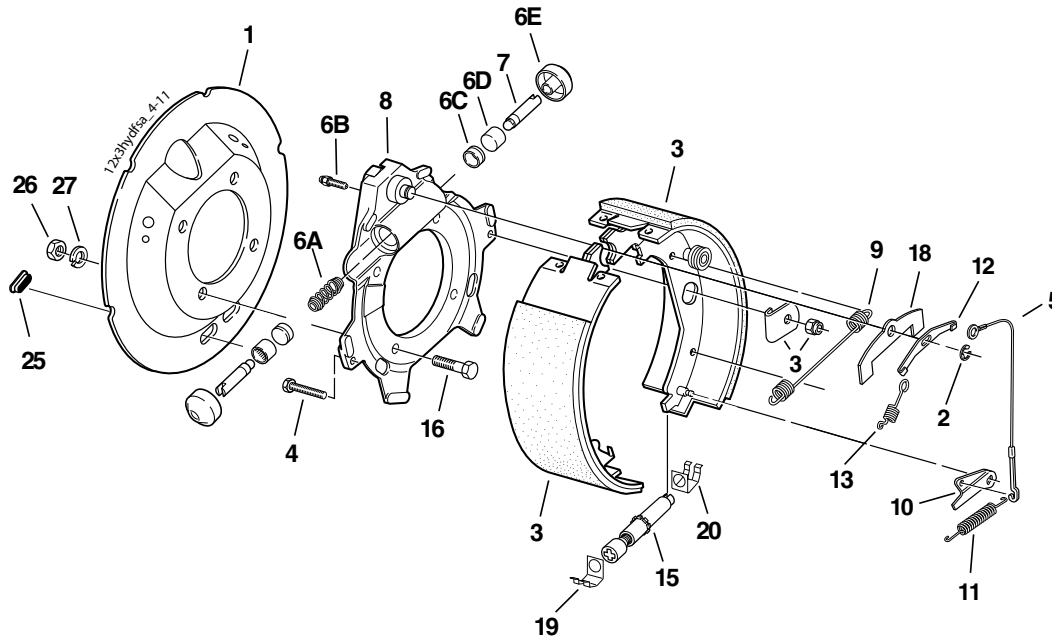
**Brakes manufactured before April 2000 use the stamped backing plate**

# 12¼" x 3⅜" 8K Hydraulic Brake FSA



**8000 LBS. CAPACITY**

**ABS Parts Available**



## Hydraulic Brake

| Item | Part No.   | Qty/Brk | Description  |
|------|------------|---------|--|
| +0   | K23-418-00 | 1       | LH Complete Brake Assembly FSA US  |
| +0   | K23-419-00 | 1       | RH Complete Brake Assembly FSA US  |
| 0    | K23-402-00 | 1       | LH Complete Brake Assembly FSA DS (shown)  |
| 0    | K23-403-00 | 1       | RH Complete Brake Assembly FSA DS  |
| *1   | 036-115-20 | 1       | Dust Shield  |
| 2    | 069-053-00 | 1       | Retainer   |
| 3    | K71-165-00 | 1       | LH Shoe & Lining Kit Contains:<br>1 #040-199-01 LH Primary Shoe & Lining<br>1 #040-199-02 LH Secondary Shoe & Lining<br>2 #005-107-00 Shoe Hold Down Washer<br>2 #006-086-00 Locknut |
| 3    | K71-166-00 | 1       | RH Shoe & Lining Kit Contains:<br>1 #040-200-01 RH Primary Shoe & Lining<br>1 #040-200-02 RH Secondary Shoe & Lining<br>2 #005-107-00 Shoe Hold Down Washer<br>2 #006-086-00 Locknut |
| 4    | 007-113-00 | 2       | Shoe Hold Down Screw   |
| 5    | 071-462-00 | 1       | Adjuster Cable   |
| 6    | K71-080-00 | 1       | Wheel Cylinder Kit (1.00" Bore) Contains:<br>1 #046-130-00 Spring<br>2 #054-032-00 Boot<br>2 #054-041-00 Piston<br>2 #054-085-00 Cup<br>1 #054-035-00 Bleeder Screw                  |
| 7    | 054-033-00 | 1 or 2  | Cylinder Push Rod US (1) DS (2)  |
| 8    | 036-064-06 | 1       | LH Spider Assembly US (incl. items #4, 6, 7)   |
| 8    | 036-064-07 | 1       | RH Spider Assembly US (incl. items #4, 6, 7)   |
| 8    | 036-064-03 | 1       | Spider Assembly (incl. items #4, 6, 7) DS  |
| 9    | 046-087-00 | 1       | Retractor Spring   |
| 10   | 071-464-00 | 1       | LH Adjuster Lever  |
| 10   | 071-463-00 | 1       | RH Adjuster Lever  |
| 11   | 046-135-00 | 1       | LH Adjuster Spring   |
| 11   | 046-134-00 | 1       | RH Adjuster Spring   |
| 12   | 071-456-00 | 1       | Cable Attachment Bracket   |
| 13   | 046-131-01 | 1       | Extension Spring   |
| 15   | 048-019-00 | 1       | LH Adjuster Assembly   |
| 15   | 048-020-00 | 1       | RH Adjuster Assembly   |
| *16  | 007-097-00 | 4       | Brake Mounting Bolt  |
| 18   | 034-062-00 | 1       | Piston Stop  |
| 19   | 046-132-00 | 1       | Adjuster Clip (thread end)   |
| 20   | 046-133-00 | 1       | Adjuster Clip (barrel end)   |
| *25  | 046-007-00 | 2       | Adjuster Slot Plug   |
| *26  | 006-129-00 | 4       | Brake Mounting Nut   |
| *27  | 005-058-00 | 4       | Lock Washer  |

## Hydraulic Brake – Corrosion Resistant Duo-Servo Only

| Item | Part No.   | Qty/Brk | Description  |
|------|------------|---------|--|
| 0    | K23-420-00 | 1       | LH Complete Brake Assembly FSA   |
| 0    | K23-421-00 | 1       | RH Complete Brake Assembly FSA   |
| *1   | 036-115-20 | 1       | Dust Shield  |
| 2    | 069-053-00 | 1       | Retainer   |
| 3    | K71-437-00 | 1       | LH Shoe & Lining Kit Contains:<br>1 #040-199-05 LH Primary Shoe & Lining<br>1 #040-199-06 LH Secondary Shoe & Lining<br>2 #005-107-02 Shoe Hold Down Washer<br>2 #006-086-00 Locknut |
| 3    | K71-438-00 | 1       | RH Shoe & Lining Kit Contains:<br>1 #040-200-05 RH Primary Shoe & Lining<br>1 #040-200-06 RH Secondary Shoe & Lining<br>2 #005-107-02 Shoe Hold Down Washer<br>2 #006-086-00 Locknut |
| 4    | 007-113-01 | 2       | Shoe Hold Down Screw   |
| 5    | 071-462-00 | 1       | Adjuster Cable   |
| 6A   | 046-130-00 | 1       | Spring   |
| 6B   | 054-035-00 | 1       | Bleeder Screw  |
| 6C   | 054-085-00 | 2       | Cup  |
| 6D   | 054-083-00 | 2       | Piston   |
| 6E   | 054-032-00 | 2       | Boot   |
| 7    | 054-033-00 | 2       | Cylinder Push Rod  |
| 8    | 036-064-14 | 1       | Spider Assembly (incl. items #4, 6, 7) DS  |
| 9    | 046-087-01 | 1       | Retractor Spring   |
| 10   | 071-464-00 | 1       | LH Adjuster Lever  |
| 10   | 071-463-00 | 1       | RH Adjuster Lever  |
| 11   | 046-135-01 | 1       | LH Adjuster Spring   |
| 11   | 046-134-01 | 1       | RH Adjuster Spring   |
| 12   | 071-456-00 | 1       | Cable Attachment Bracket   |
| 13   | 046-131-02 | 1       | Extension Spring   |
| 15   | 048-019-00 | 1       | LH Adjuster Assembly   |
| 15   | 048-020-00 | 1       | RH Adjuster Assembly   |
| *16  | 007-097-00 | 4       | Brake Mounting Bolt  |
| 18   | 034-062-02 | 1       | Piston Stop  |
| 19   | 046-132-00 | 1       | Adjuster Clip (thread end)   |
| 20   | 046-133-00 | 1       | Adjuster Clip (barrel end)   |
| *25  | 046-007-00 | 2       | Adjuster Slot Plug   |
| *26  | 006-129-00 | 4       | Brake Mounting Nut   |
| *27  | 005-058-00 | 4       | Lock Washer  |

\* Not included with complete brake assembly. Item sold separately.

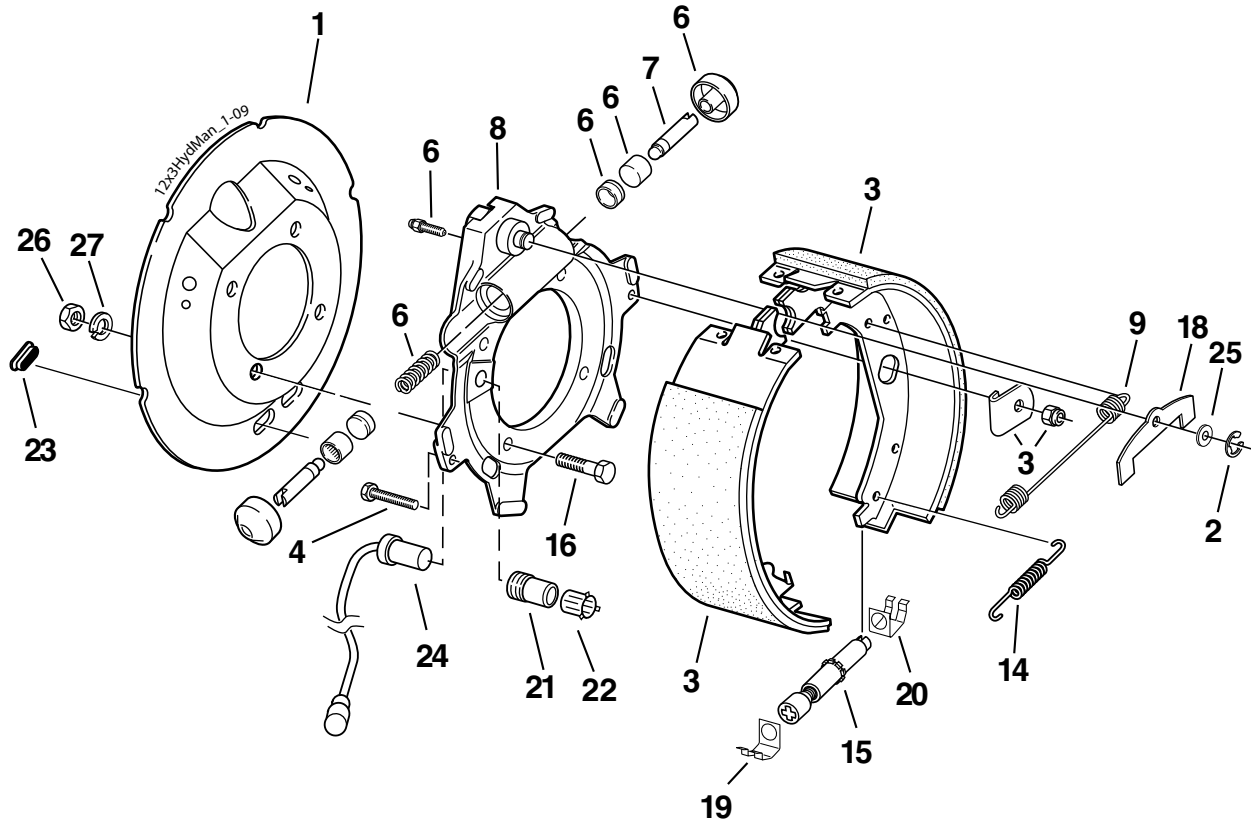
+ Uni-Servo version not shown.

# 12¼" x 3⅜" 8K Hydraulic Brake Manual Adjust



Shown With ABS Parts

8000 LBS. CAPACITY



## Hydraulic Brake

| Item | Part No.   | Qty/Brk | Description  |
|------|------------|---------|--|
| 0    | K23-388-00 | 1       | LH Complete Brake Assembly-DS (shown)  |
| 0    | K23-387-00 | 1       | RH Complete Brake Assembly-DS  |
| *1   | 036-115-20 | 1       | Dust Shield  |
| 2    | 069-053-00 | 1       | Retainer   |
| 3    | K71-165-00 | 1       | LH Shoe & Lining Kit Contains:<br>1 #040-199-01 LH Primary Shoe & Lining<br>1 #040-199-02 LH Secondary Shoe & Lining<br>2 #005-107-00 Shoe Hold Down Washer<br>2 #006-086-00 Locknut |
| 3    | K71-166-00 | 1       | RH Shoe & Lining Kit Contains:<br>1 #040-200-01 RH Primary Shoe & Lining<br>1 #040-200-02 RH Secondary Shoe & Lining<br>2 #005-107-00 Shoe Hold Down Washer<br>2 #006-086-00 Locknut |
| 4    | 007-113-00 | 2       | Shoe Hold Down Screw   |
| 6    | K71-080-00 | 1       | Wheel Cylinder Kit (1.00" Bore) Contains:<br>1 #046-130-00 Spring<br>2 #054-032-00 Boot<br>2 #054-041-00 Piston<br>2 #054-085-00 Cup<br>1 #054-035-00 Bleeder Screw                  |
| 7    | 054-033-00 | 2       | Cylinder Push Rod  |
| 8    | 036-064-03 | 1       | Spider Assembly (incl. items #4, 6, 7)   |
| 9    | 046-087-00 | 1       | Retractor Spring   |
| 14   | 046-018-00 | 1       | Adjuster Spring  |
| 15   | 048-017-00 | 1       | Adjuster Assembly  |
| *16  | 007-097-00 | 4       | Brake Mounting Bolt  |

\* Not included with complete brake assembly. Item sold separately.

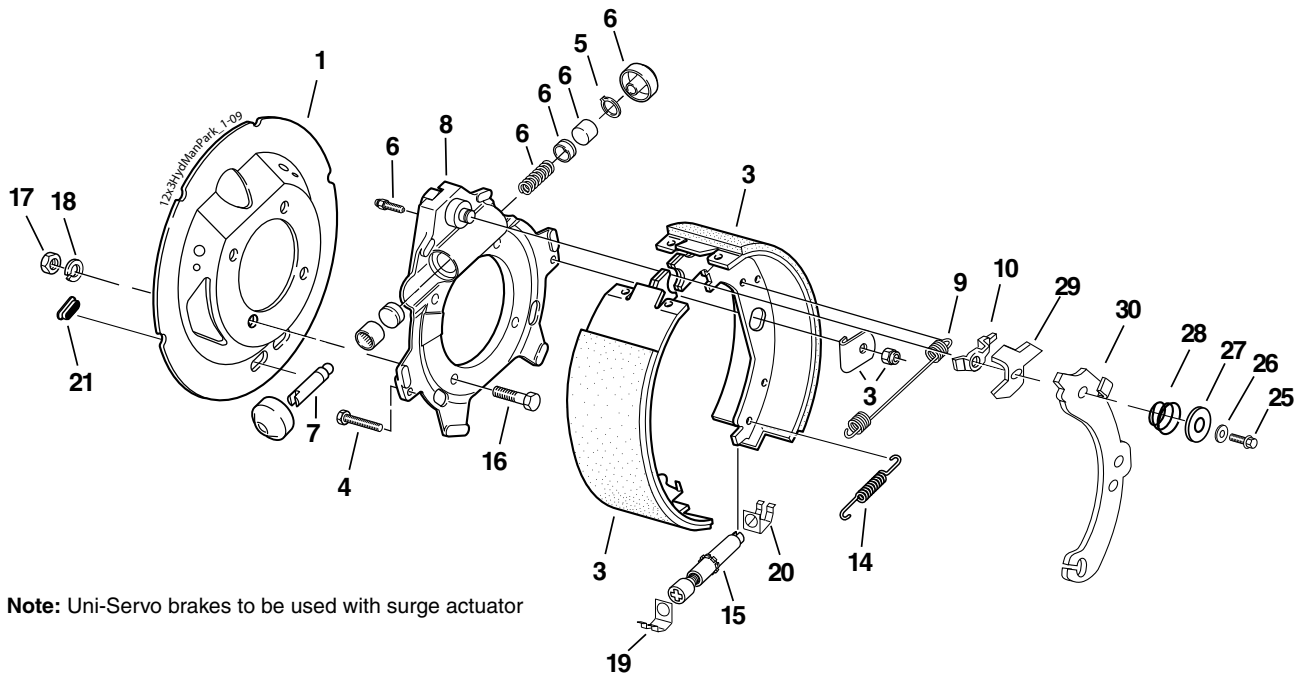
## Hydraulic Brake

| Item | Part No.   | Qty/Brk | Description                |
|------|------------|---------|----------------------------|
| 18   | 034-062-00 | 1       | Piston Stop                |
| 19   | 046-132-00 | 1       | Adjuster Clip (thread end) |
| 20   | 046-133-00 | 1       | Adjuster Clip (barrel end) |
| *21  | 024-204-00 | 1       | ABS Sensor Mounting Block  |
| *22  | 097-002-00 | 1       | ABS Sensor Retaining Clip  |
| *23  | 046-007-00 | 2       | Adjuster Slot Plug         |
| *24  | 097-004-00 | 1       | ABS Sensor (straight)      |
| 25   | 005-142-00 | 1       | Washer                     |
| *26  | 006-129-00 | 4       | Brake Mounting Nut         |
| *27  | 005-058-00 | 4       | Lock Washer                |

# 12¼" x 3⅜" 8K Hydraulic Brake Uni-Servo With Parking Feature (Manual Adjust)



**8000 LBS. CAPACITY**



**Note:** Uni-Servo brakes to be used with surge actuator

## Hydraulic Brake

| Item | Part No.   | Qty/Brk | Description  |
|------|------------|---------|--|
| 0    | K23-252-00 | 1       | LH Complete Brake Assembly-US, w/park (shown)  |
| 0    | K23-253-00 | 1       | RH Complete Brake Assembly-US, w/park  |
| *1   | 036-115-24 | 1       | Dust Shield  |
| 3    | K71-165-00 | 1       | LH Shoe & Lining Kit Contains:<br>1 #040-199-01 LH Primary Shoe & Lining<br>1 #040-199-02 LH Secondary Shoe & Lining<br>2 #005-107-00 Shoe Hold Down Washer<br>2 #006-086-00 Locknut |
| 3    | K71-166-00 | 1       | RH Shoe & Lining Kit Contains:<br>1 #040-200-01 RH Primary Shoe & Lining<br>1 #040-200-02 RH Secondary Shoe & Lining<br>2 #005-107-00 Shoe Hold Down Washer<br>2 #006-086-00 Locknut |
| 4    | 007-113-00 | 2       | Shoe Hold Down Screw   |
| 5    | 069-040-00 | 1       | Snap Ring  |
| 6    | K71-080-00 | 1       | Wheel Cylinder Kit (1.00" Bore) Contains:<br>1 #046-130-00 Spring<br>2 #054-032-00 Boot<br>2 #054-041-00 Piston<br>2 #054-085-00 Cup<br>1 #054-035-00 Bleeder Screw                  |
| 7    | 054-033-00 | 2       | Cylinder Push Rod-US   |
| 8    | 036-064-08 | 1       | LH Spider Assembly (incl. items #4,5,6,7) US   |
| 8    | 036-064-09 | 1       | RH Spider Assembly (incl. items #4,5,6,7) US   |
| 9    | 046-087-00 | 1       | Retractor Spring   |

\* Not included with complete brake assembly. Item sold separately.

## Hydraulic Brake

| Item | Part No.   | Qty/Brk | Description                |
|------|------------|---------|----------------------------|
| 10   | 033-083-00 | 1       | Spacer                     |
| 14   | 046-018-00 | 1       | Adjuster Spring            |
| 15   | 048-017-00 | 1       | Adjuster Assembly          |
| *16  | 007-097-00 | 4       | Brake Mounting Bolt        |
| *17  | 006-129-00 | 4       | Brake Mounting Nut         |
| *18  | 005-058-00 | 4       | Lock Washer                |
| 19   | 046-132-00 | 1       | Adjuster Clip (thread end) |
| 20   | 046-133-00 | 1       | Adjuster Clip (barrel end) |
| *21  | 046-007-00 | 2       | Adjuster Slot Plug         |
| 25   | 007-096-00 | 1       | Hold Down Lever Bolt       |
| 26   | 005-143-00 | 1       | Star Washer                |
| 27   | 005-065-00 | 0       | Hold Down Lever Washer     |
| 28   | 046-091-00 | 1       | Hold Down Lever Spring     |
| 29   | 039-055-00 | 1       | Parking Cam LH             |
| 29   | 039-056-00 | 1       | Parking Cam RH             |
| 30   | 047-089-00 | 1       | Parking Lever LH           |
| 30   | 047-090-00 | 1       | Parking Lever RH           |
| ns   | 071-512-00 | 1       | Parking Cable              |

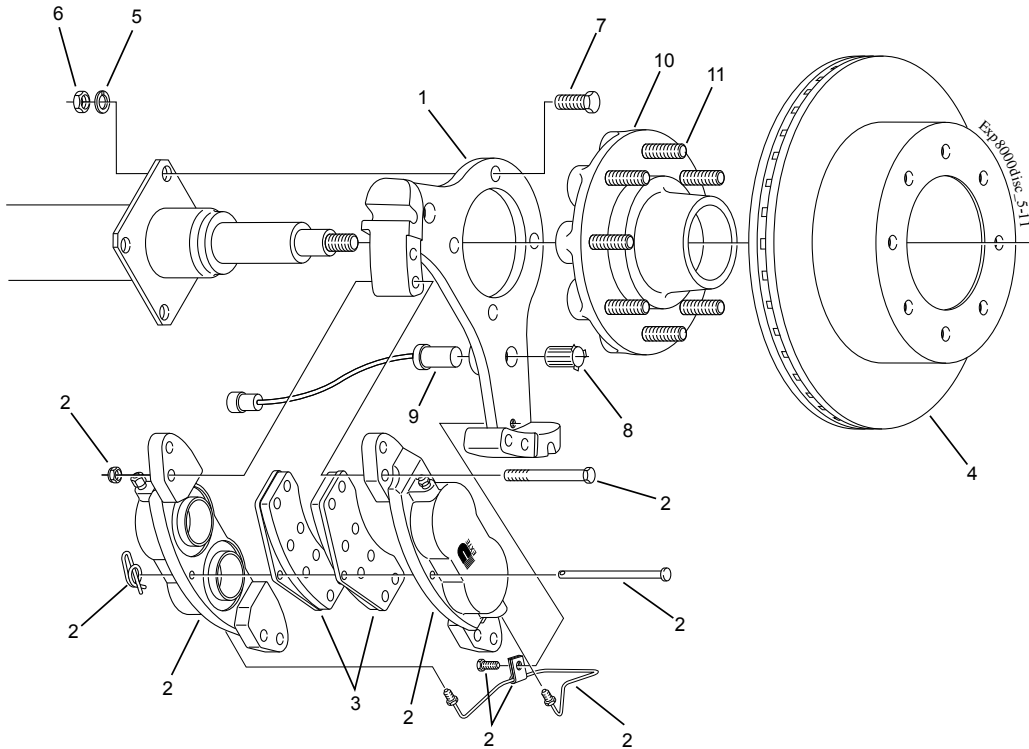
ns - not shown

# Disc Brake for 8,000 Lb. Axles



CSA approved at 8000#/14.0 SLR

**8000 LBS. CAPACITY**



## Disc Brake 8000#

| Item | Part No.     | Qty/Brk | Description                                     |
|------|--------------|---------|---|
| 1    | 090-003-01   | 1       | Anchor Yoke                                     |
| 2    | K71-630-00   | 1       | Caliper Assembly Kit for LH or RH Contains:     |
|      | 4 006-045-00 |         | Caliper Mounting Nut                            |
|      | 4 007-254-00 |         | Caliper Mounting Bolt                           |
|      | 1 019-019-00 |         | Cotter Ring                                     |
|      | 1 027-060-00 |         | Tube Clamp                                      |
|      | 1 054-092-00 |         | Bleeder Screw                                   |
|      | 1 054-094-00 |         | Adapter Fitting                                 |
|      | 1 056-038-00 |         | Pad Retaining Pin                               |
|      | 1 071-513-00 |         | Cross Over Hydraulic Line (yokes without notch) |
|      | 1 071-518-00 |         | Cross Over Hydraulic Line (yokes with notch)    |
|      | 1 087-002-00 |         | Hex Bolt  |
|      | 2 089-003-02 |         | Assembled Caliper Half                          |
| 3    | K71-629-00   | 1       | Brake Pad Kit (axle set)                        |
| 4    | K71-631-00   | 1       | Rotor Kit                                       |
| 5    | 005-058-00   | 4       | 1/2" Lock Washer                                |
| 6    | 006-129-01   | 4       | 1/2" Hex Nut                                    |
| 7    | 007-097-00   | 4       | 1/2" Brake Mounting Bolt                        |
| 8    | 097-002-00   | 1       | ABS Sensor Retaining Clip                       |
| 9    | 097-004-00   | 1       | ABS Sensor (straight)                           |

## Disc Brake Hubs & Studs

| Item | Part No.   | Qty/Brk | Description                   |
|------|------------|---------|-------------------------------|
| 10   | 008-399-05 | 1       | Grease 3/16" Studs 8 on 6.50  |
| 10   | 008-399-06 | 1       | Oil 3/16" Studs 8 on 6.50     |
| 10   | 008-399-07 | 1       | Grease 5/8" Studs 8 on 6.50   |
| 10   | 008-399-08 | 1       | Oil 5/8" Studs 8 on 6.50      |
| 11   | 007-257-00 | 8       | 3/16-18 x 2.50" Press-in Stud |
| 11   | 007-115-00 | 8       | 5/8-18 x 3.16" Press-in Stud  |

## Disc Brake 8000# With 50MM Nev-R-Lube®

| Item | Part No.     | Qty/Brk | Description                                     |
|------|--------------|---------|---|
| 1    | 090-007-01   | 1       | LH Anchor Yoke                                  |
| 2    | K71-630-00   | 1       | Caliper Assembly Kit for LH or RH Contains:     |
|      | 4 006-045-00 |         | Caliper Mounting Nut                            |
|      | 4 007-254-00 |         | Caliper Mounting Bolt                           |
|      | 1 019-019-00 |         | Cotter Ring                                     |
|      | 1 027-060-00 |         | Tube Clamp                                      |
|      | 1 054-092-00 |         | Bleeder Screw                                   |
|      | 1 054-094-00 |         | Adapter Fitting                                 |
|      | 1 056-038-00 |         | Pad Retaining Pin                               |
|      | 1 071-513-00 |         | Cross Over Hydraulic Line (yokes without notch) |
|      | 1 071-518-00 |         | Cross Over Hydraulic Line (yokes with notch)    |
|      | 1 087-002-00 |         | Hex Bolt  |
|      | 2 089-003-02 |         | Assembled Caliper Half                          |
| 3    | K71-629-00   | 1       | Brake Pad Kit (axle set)                        |
| 4    | K71-631-00   | 1       | Rotor Kit                                       |
| 5    | 005-058-00   | 4       | 1/2" Lock Washer                                |
| 6    | 006-129-01   | 4       | 1/2" Hex Nut                                    |
| 7    | 007-097-00   | 4       | 1/2" Brake Mounting Bolt                        |
| 8    | 097-002-00   | 1       | ABS Sensor Retaining Clip                       |
| 9    | 097-004-00   | 1       | ABS Sensor (straight)                           |

## Nev-R-Lube® Disc Brake Hubs

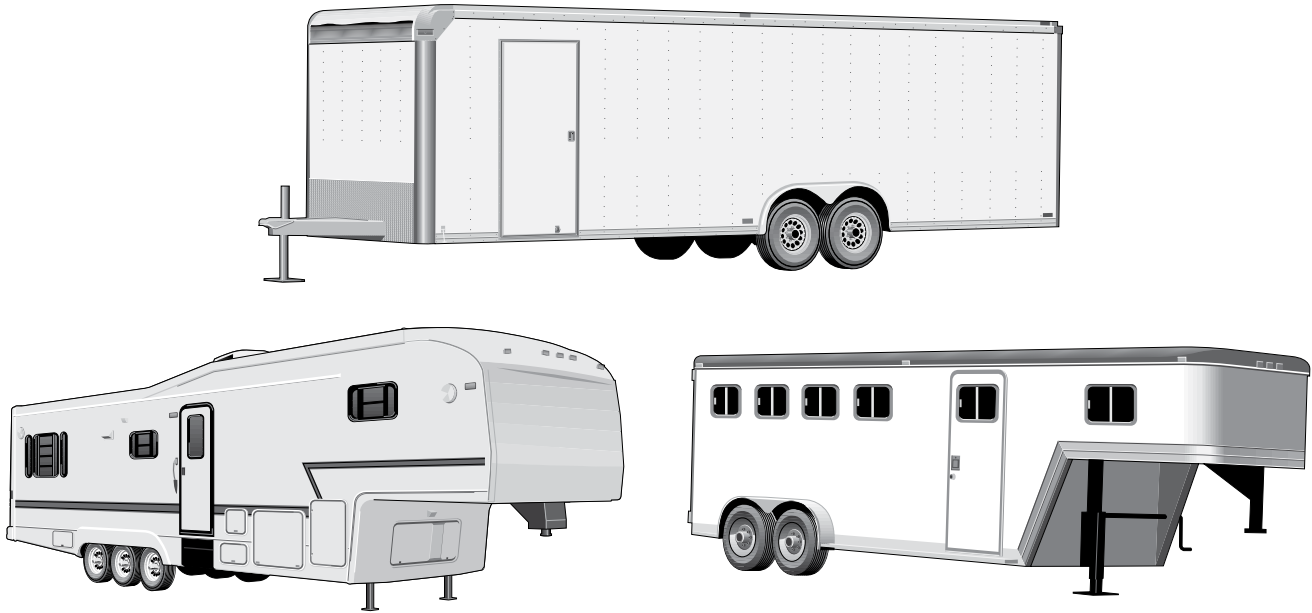
| Item | Part No.   | Qty/Brk | Description                   |
|------|------------|---------|-------------------------------|
| 10   | 008-402-80 | 1       | 3/16" Studs, 50mm 8 on 6.50   |
| 10   | 008-402-81 | 1       | 5/8" Studs, 50mm 8 on 6.50    |
| 11   | 007-257-00 | 8       | 3/16-18 x 2.50" Press-in Stud |
| 11   | 007-115-00 | 8       | 5/8-18 x 3.16" Press-in Stud  |



# AIRFLEX® Light Trailer Suspension System

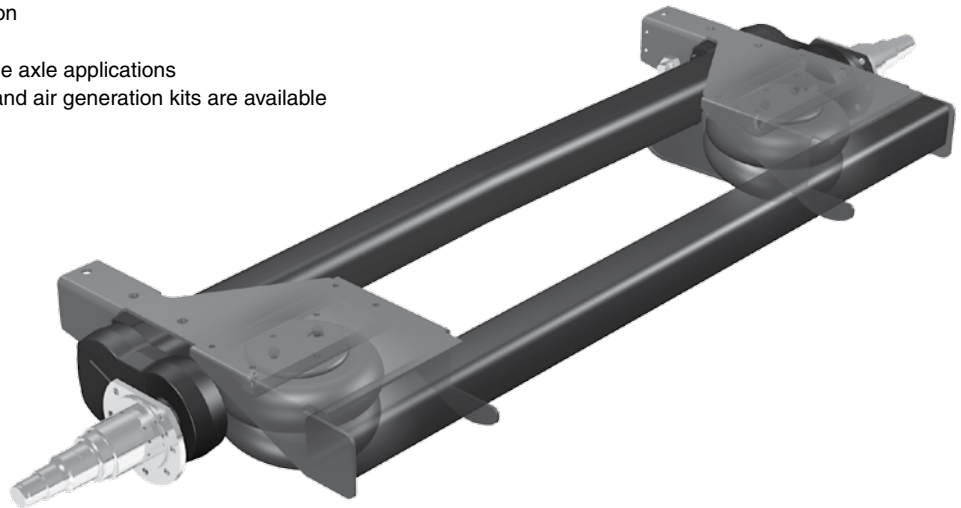


8000 LBS. CAPACITY



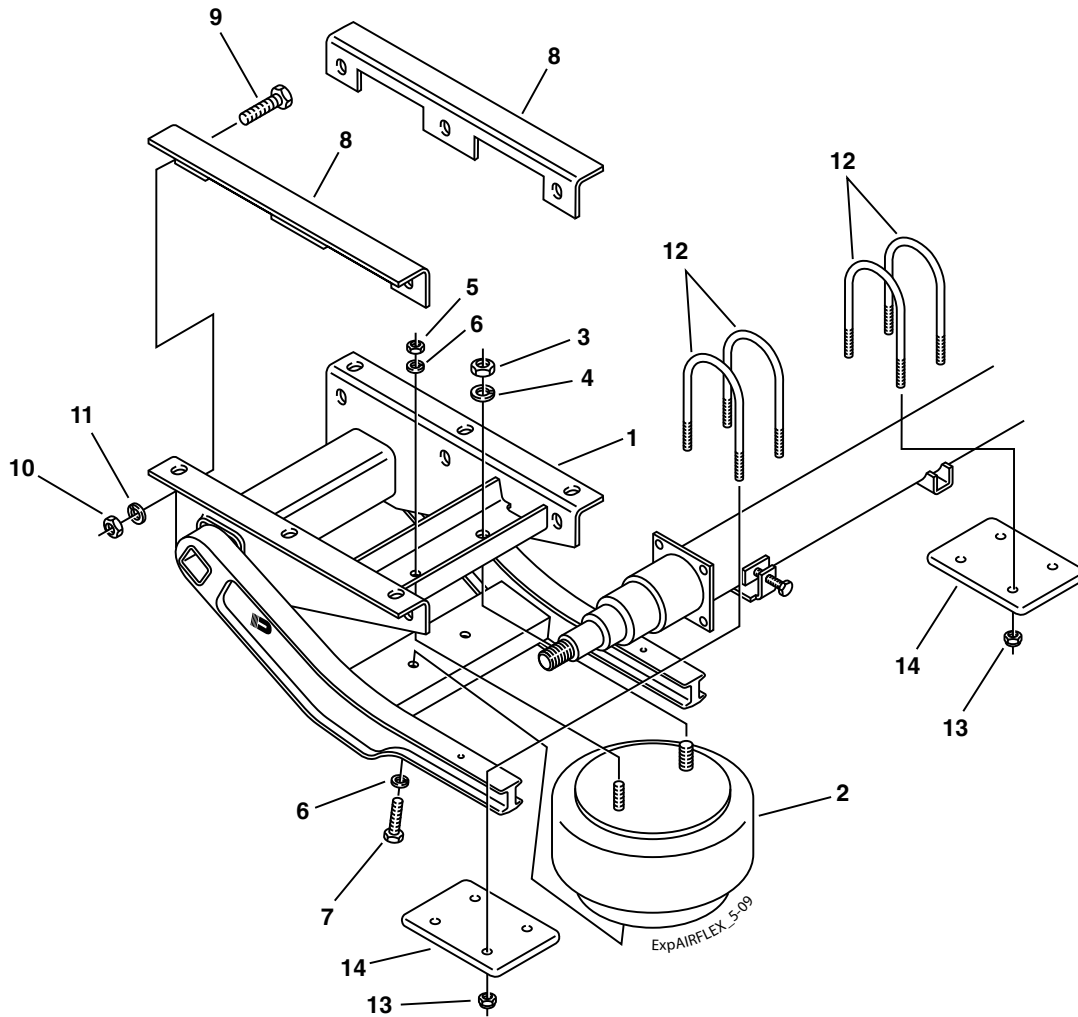
## Smooth Out the Roughest Roads

- Soft Ride – New hybrid suspension combines air and rubber torsion for an excellent ride
- Independent – Ride and stability improve with independent wheel action
- Equalizing – Axle-to-axle load equalization allows use on triple axle trailers
- Reliable – Rubber cushions ride even if air is not available
- Maintains constant ride height for the ultimate ride
- Fully assembled for easy installation
- Adjustable axle alignment feature
- Available for single, tandem or triple axle applications
- Optional ride height control valve and air generation kits are available
- 2 year limited warranty





### Service Parts Only



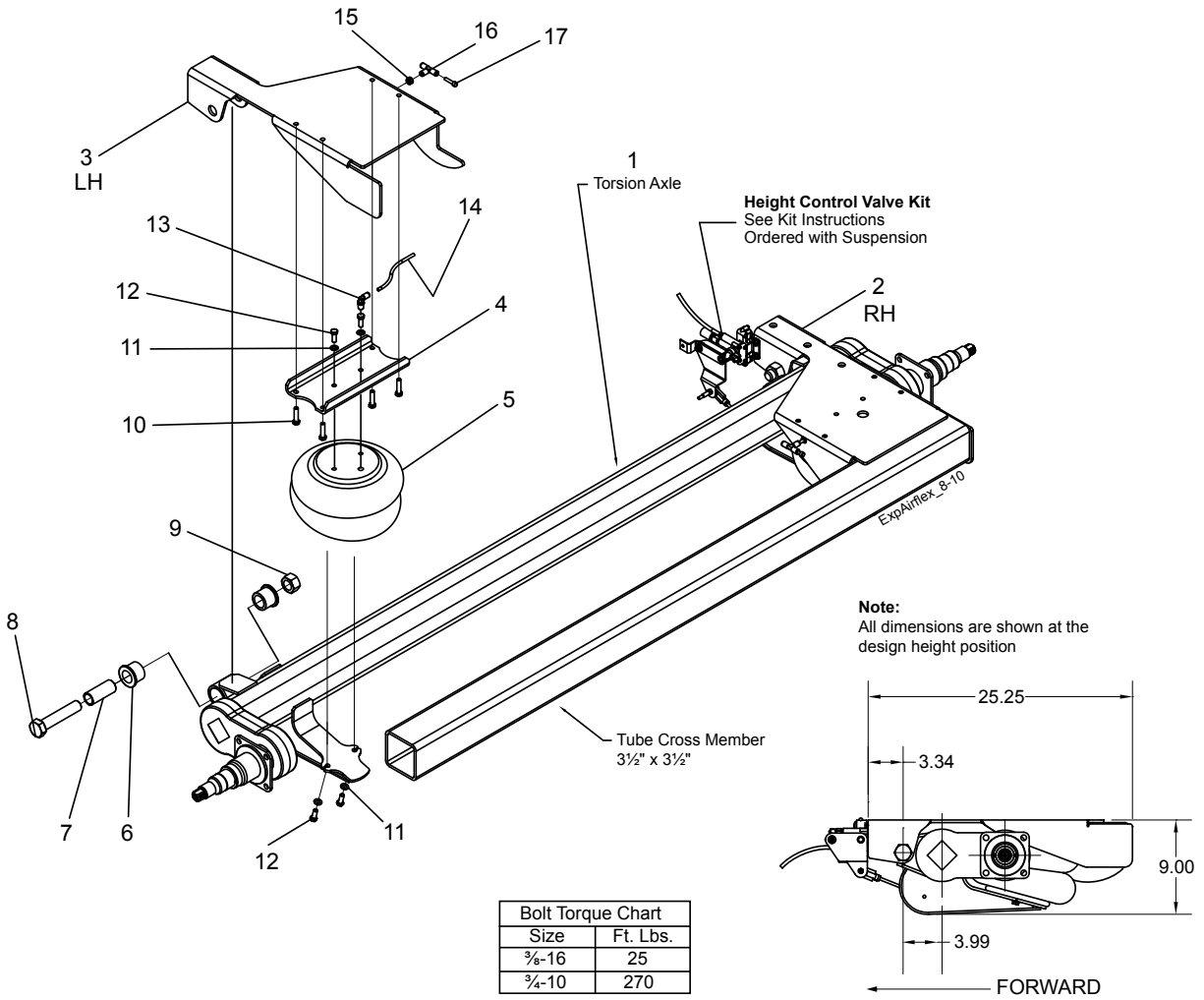
### AIRFLEX® Suspension Components 8000#

| Item                                      | Part No.   | Qty/Axle | Description  |
|---|------------|----------|--|
| 1   | 003-272-00 | 1        | LH Suspension Assembly (shown) (incl. items #2-11) |
| 1   | 003-273-00 | 1        | RH Suspension Assembly (incl. items #2-11)         |
| <b>Air Spring &amp; Mounting Hardware</b> |            |          |  |
| 2   | 034-279-00 | 2        | Air Spring   |
| 3   | 006-122-01 | 2        | 3/4"-16 Jam Nut                                    |
| 4   | 005-143-00 | 2        | 3/4" Lock Washer                                   |
| 5   | 006-116-00 | 2        | 1/2"-13 Hex Nut                                    |
| 6   | 005-058-00 | 6        | 1/2" Lock Washer                                   |
| 7   | 007-259-00 | 4        | 1/2"-13 Hex Bolt                                   |
| <b>Suspension Mounting Hardware</b>       |            |          |  |
| 8   | 003-261-00 | 2        | Side Mount Bracket                                 |
| 9   | 007-177-00 | 6        | 5/8" Mounting Bolt                                 |
| 10  | 006-126-00 | 6        | 5/8" Locknut                                       |
| 11  | 005-111-00 | 6        | 5/8" Washer  |
| <b>Axle Attaching Hardware</b>            |            |          |  |
| 12  | 011-090-01 | 8        | 3/4" U-Bolt  |
| 13  | 006-113-00 | 16       | 3/4" Locknut                                       |
| 14  | 012-065-01 | 4        | Tie Plate  |
| <b>Air Supply Kits</b>                    |            |          |  |
| ns  | K71-632-01 | -        | Tandem Plumbing Kit with Ride Height Control Valve |
| ns  | K71-632-02 | -        | Air Generation Kit (includes compressor and tank)  |
| ns  | K71-632-03 | -        | Manual Dump Valve Kit                              |
| ns  | K71-632-04 | -        | Tri-Axle Conversion Plumbing Kit                   |

ns - not shown



**8000 LBS. CAPACITY**



## AIRFLEX® Suspension Components 8000#

| Item | Part No.     | Qty/Axle | Description                           |
|------|--------------|----------|---------------------------------------|
| 1    | n/a          | 1        | Torsion Axle with Suspension Brackets |
| 2    | 003-327-00   | 1        | RH Frame Bracket                      |
| 3    | 003-326-00   | 1        | LH Frame Bracket                      |
| 4    | 003-323-00   | 2        | Channel, Air Spring Support           |
| 5    | W01-358-6947 | 2        | Firestone Air Spring                  |
| 6    | 014-123-00   | 2        | Pivot Bushing Kit                     |
| 7    | 014-127-00   | 2        | Bushing Spacer/Liner                  |
| 8    | n/a          | 2        | 3/4-10 UNC x 4.5" LG HHCS             |
| 9    | n/a          | 2        | 3/4-10 UNC Stover Lock Nut            |
| 10   | n/a          | 8        | 3/8-16 UNC x 1.5" LG HHCS             |
| 11   | n/a          | 8        | 3/8 Regular Split Lock Washer         |
| 12   | n/a          | 8        | 3/8-16 UNC x 1" LG HHCS               |
| 13   | n/a          | 2        | 1/4 NPTM x 1/4 T 90° Elbow, Swivel    |
| 14   | n/a          | 2        | 1/4 x 6.25" LG Nylon Tube             |
| 15   | n/a          | 2        | Grommet                               |
| 16   | n/a          | 2        | 1/4 T Union Tee                       |
| 17   | n/a          | 2        | 1/4 T Plug                            |

### Air Supply Kits

|    |            |   |                                    |
|----|------------|---|------------------------------------|
| ns | K71-692-01 | - | Ride Height Control Kit            |
| ns | K71-692-02 | - | Air Supply and Control Kit         |
| ns | K71-692-03 | - | Air Control Kit Without Air Supply |

n/a - not available

ns - not shown

# Wheels and Tires



**WHEELS & TIRES**

| Wheel Dia. | Rim Width Contour | Tire Size Description | SLR   | Tire Radius | Width | Capacity | PSI |
|------------|-------------------|-----------------------|-------|-------------|-------|----------|-----|
| 12         | 4JA               | 4.80-12, B            | 9.50  | 10.84       | 5.27  | 780      | 60  |
| 12         | 4JA               | 5.30-12, C            | 10.20 | 11.37       | 5.88  | 1045     | 80  |
| 13         | 4.5JJ             | ST175/80R13, B        | 11.20 | 12.00       | 7.90  | 1100     | 35  |
| 13         | 4.5JJ             | ST185/80R13, C        | 11.40 | 12.30       | 8.10  | 1480     | 50  |
| 14         | 5.5JJ             | ST205/75R14, C        | 12.10 | 13.05       | 9.00  | 1760     | 50  |
| 14         | 5.5JJ             | ST215/75R14, C        | 12.40 | 13.35       | 9.60  | 1870     | 50  |
| 14.5       | 6.00MH            | 8-14.5LT, E           | 13.30 | 14.10       | 8.50  | 2540     | 85  |
| 14.5       | 6.00MH            | 8-14.5LT, F           | 13.30 | 14.10       | 8.50  | 2790     | 100 |
| 14.5       | 7.00MH            | 9-14.5LT, E           | 13.30 | 14.68       | 10.10 | 2940     | 85  |
| 14.5       | 7.00MH            | 9-14.5LT, F           | 13.30 | 14.68       | 10.10 | 3230     | 100 |
| 15         | 5JJ               | ST205/75R15, B        | 12.60 | 13.55       | 9.00  | 1480     | 35  |
| 15         | 5JJ               | ST205/75R15, C        | 12.60 | 13.55       | 9.00  | 1820     | 50  |
| 15         | 6JJ               | LT215/75R15, C        | 12.90 | 14.25       | 9.60  | 1765     | 50  |
| 15         | 6JJ               | ST225/75R15, D        | 13.00 | 14.43       | 9.90  | 2540     | 65  |
| 15         | 6JJ               | LT235/75R15, E        | 13.40 | 14.70       | 10.60 | 2755     | 80  |
| 16         | 6K                | LT225/75R16, E        | 13.50 | 14.92       | 9.90  | 2680     | 80  |
| 16         | 6K                | LT235/85R16, E        | 14.30 | 15.40       | 10.30 | 3042     | 80  |
| 16         | 6K                | LT235/85R16, G        | 14.30 | 15.40       | 10.20 | 3750     | 110 |
| 16.5       | 9.75              | 12-16.5LT, E          | 14.90 | 15.80       | 13.00 | 3550     | 60  |
| 16.5       | 9.75              | 12-16.5LT, F          | 14.90 | 15.80       | 13.00 | 4045     | 75  |
| 17.5       | 6.00HC            | 215/75R17.5           | 14.00 | 15.30       | 8.40  | 4805     | 125 |
| 17.5       | 6.75HC            | 235/75R17.5           | 14.50 | 15.90       | 9.20  | 6005     | 125 |



# Hanger and Attaching Parts Kits

**HANGER & AP KITS**

## Double Eye Leaf Springs

### Hanger Heights

| Hanger Kit | Axle Combination | Front Height | Center Height | Notes              |
|------------|------------------|--------------|---------------|--------------------|
| HGR-104-00 | 1                | 3.25         | N/A           |                    |
| HGR-105-00 | 1                | 1.44         | N/A           |                    |
| HGR-120-00 | 1                | 4.25         | N/A           | 5.2K Max.          |
| HGR-249-00 | 2                | 2.06         | 3.25          |                    |
| HGR-248-00 | 2                | 3.25         | 3.62          |                    |
| HGR-212-00 | 2                | 3.25         | 3.25          |                    |
| HGR-250-00 | 2                | 3.62         | 3.62          |                    |
| HGR-252-00 | 2                | 4.25         | 4.25          | 6K max.            |
| HGR-271-00 | 2                | 4.25         | 4.25          | Reinforced 7K Max. |
| HGR-274-00 | 2                | 5.00         | 5.00          | Reinforced 7K Max. |
| HGR-348-00 | 3                | 3.25         | 3.62          |                    |
| HGR-312-00 | 3                | 3.25         | 3.25          |                    |
| HGR-371-00 | 3                | 4.25         | 4.25          | Reinforced         |

### Attaching Parts Kits

| Capacity | Single     | 33" Axle Spacing |            | 35" Axle Spacing |            |
|----------|------------|------------------|------------|------------------|------------|
|          |            | Tandem           | Triple     | Tandem           | Triple     |
| D20      | A/P-122-00 | A/P-233-00       | A/P-335-00 | N/A              | N/A        |
| D35      | A/P-122-00 | A/P-233-00       | A/P-335-00 | A/P-264-00       | N/A        |
| D52      | A/P-122-00 | A/P-233-00       | A/P-335-00 | A/P-264-00       | A/P-364-00 |
| D60      | A/P-122-00 | A/P-233-00       | A/P-335-00 | A/P-264-00       | A/P-364-00 |
| D70      | A/P-122-00 | A/P-233-00       | A/P-335-00 | A/P-264-00       | A/P-364-00 |
| D72      | A/P-122-00 | A/P-233-00       | A/P-335-00 | A/P-264-00       | A/P-364-00 |
| D80      | A/P-122-00 | A/P-233-00       | A/P-335-00 | A/P-264-00       | A/P-364-00 |

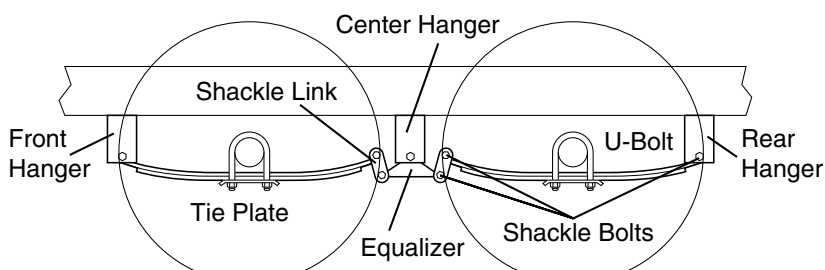
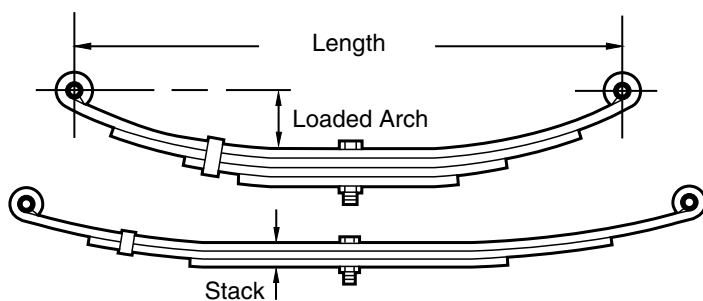
### Tube Diameter & Spring Pad Height – DE and SS

| Capacity | Tube Dia. Standard | Tube Dia. Optional | Pad Ht. Standard | Pad Ht. Optional |
|----------|--------------------|--------------------|------------------|------------------|
| D20      | 1.75               | 2.38               | 0.60             | 0.60             |
| D35      | 2.38               | 3.00               | 0.60             | 0.60             |
| D52      | 3.00               | N/A                | 0.60             | N/A              |
| D60      | 3.00               | N/A                | 0.60             | N/A              |
| D70      | 3.00               | 3.50               | 0.60             | 0.50             |
| D72      | 3.00               | 3.50               | 0.60             | 0.50             |
| D80      | 3.50               | N/A                | 0.50             | N/A              |

N/A - not applicable

### Stack & Loaded Arch Heights

| Capacity | Part Number | Stack Height | Length (Inches) | Axle Location | Loaded Arch Height |
|----------|-------------|--------------|-----------------|---------------|--------------------|
| 700      | 072-016-00  | 0.67         | 21              | 10.62         | 2.12               |
| 1000     | 072-017-00  | 0.79         | 21              | 10.62         | 2.12               |
| 1250     | 072-022-00  | 0.94         | 26              | 13.00         | 1.75               |
| 1250     | 072-006-00  | 0.94         | 24              | 12.00         | 2.50               |
| 1400     | 072-013-00  | 1.10         | 21              | 10.62         | 2.38               |
| 1500     | 072-023-00  | 1.04         | 26              | 13.00         | 1.75               |
| 1750     | 072-042-00  | 1.27         | 26              | 13.00         | 1.50               |
| 1750     | 072-009-00  | 1.08         | 24              | 12.00         | 2.50               |
| 2000     | 072-018-00  | 1.37         | 24              | 12.00         | 2.50               |
| 2500     | 072-020-00  | 1.44         | 24              | 12.00         | 2.50               |
| 2600     | 072-025-00  | 1.44         | 26              | 13.00         | 1.75               |
| 3000     | 072-073-00  | 2.01         | 26              | 13.00         | 1.75               |
| 3500     | 072-027-00  | 2.05         | 26              | 13.00         | 1.75               |
| 4000     | 072-079-00  | 2.52         | 26              | 13.00         | 1.75               |



Underslung Shown

# Hanger and Attaching Parts Kits



HANGER & AP KITS

## Slipper Leaf Springs

### Hanger Heights

| Hanger Kit | Axle Combination | Front Height | Center Height | Notes         |
|------------|------------------|--------------|---------------|---------------|
| HGR-115-00 | 1                | 1.00         | N/A           | D20 Only      |
| HGR-110-00 | 1                | 4.25         | N/A           | 3.5K-7K       |
| HGR-138-00 | 1                | 5.00         | N/A           |               |
| HAP-105-00 | 1                | 5.00         | N/A           | Rubber Bushed |
| HGR-202-00 | 2                | 4.25         | 3.50          |               |
| HGR-238-00 | 2                | 5.00         | 4.50          |               |
| HAP-205-01 | 2                | 5.00         | 4.50          | Rubber Bushed |
| HGR-302-00 | 3                | 4.25         | 3.50          |               |
| HGR-338-00 | 3                | 5.00         | 4.50          |               |

### Tube Diameter & Spring Pad Height – DE and SS

| Capacity | Tube Dia. Standard | Tube Dia. Optional | Pad Ht. Standard | Pad Ht. Optional |
|----------|--------------------|--------------------|------------------|------------------|
| D20      | 1.75               | 2.38               | 0.60             | 0.60             |
| D35      | 2.38               | 3.00               | 0.60             | 0.60             |
| D52      | 3.00               | N/A                | 0.60             | N/A              |
| D60      | 3.00               | N/A                | 0.60             | N/A              |
| D70      | 3.00               | 3.50               | 0.60             | 0.50             |
| D72      | 3.00               | 3.50               | 0.60             | 0.50             |
| D80      | 3.50               | N/A                | 0.50             | N/A              |

N/A - not applicable

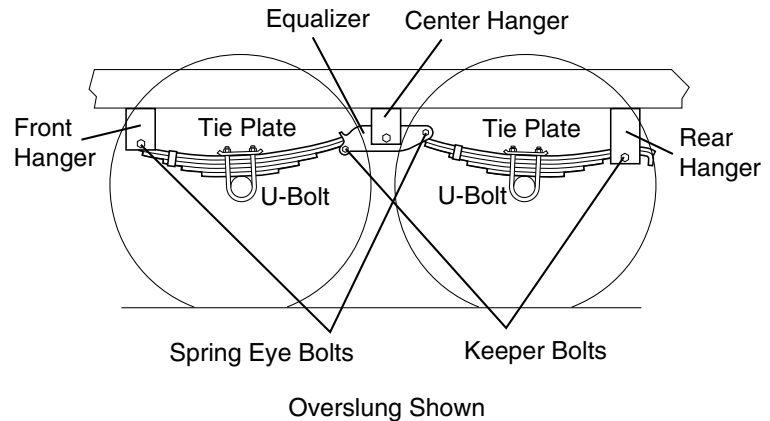
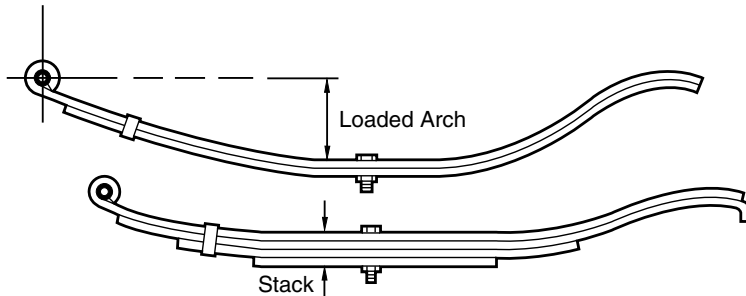
### Attaching Parts Kits

| Capacity | Single     | 33.5" Axle Spacing |            | 36" Axle Spacing |            |
|----------|------------|--------------------|------------|------------------|------------|
|          |            | Tandem             | Triple     | Tandem           | Triple     |
| D20      | A/P-115-00 | N/A                | N/A        | N/A              | N/A        |
| D35      | A/P-103-00 | A/P-202-00         | A/P-302-00 | N/A              | N/A        |
| D52      | A/P-103-00 | A/P-202-00         | A/P-302-00 | A/P-216-00       | A/P-316-00 |
| D60      | A/P-103-00 | A/P-202-00         | A/P-302-00 | A/P-216-00       | A/P-316-00 |
| D70      | A/P-103-00 | A/P-202-00         | A/P-302-00 | A/P-216-00       | A/P-316-00 |
| D72      | A/P-103-00 | A/P-202-00         | A/P-302-00 | A/P-216-00       | A/P-316-00 |
| D80      | A/P-103-00 | A/P-202-00         | A/P-302-00 | A/P-216-00       | A/P-316-00 |

### Stack & Loaded Arch Heights

| Capacity | Part Number | Stack Height | Width (Inches) | Axle Location | Loaded Arch Height |
|----------|-------------|--------------|----------------|---------------|--------------------|
| 700      | 072-003-00  | 0.57         | 1.75           | 13.00         | 3.12               |
| 1000     | 072-002-00  | 0.68         | 1.75           | 13.00         | 3.12               |
| 1500     | 072-029-00  | 1.16         | 2.00           | 11.50         | 2.00               |
| 2000     | 072-030-00  | 1.33         | 2.00           | 11.50         | 2.00               |
| 2500     | 072-031-00  | 1.44         | 2.00           | 11.50         | 2.00               |
| 3500     | 072-032-00  | 1.80         | 2.00           | 11.50         | 2.00               |
| 4000     | 072-051-01  | 2.52         | 2.00           | 11.50         | 2.00               |
| 4000*    | 072-051-02  | 2.52         | 2.00           | 11.50         | 2.00               |

\* Rubber Bushed





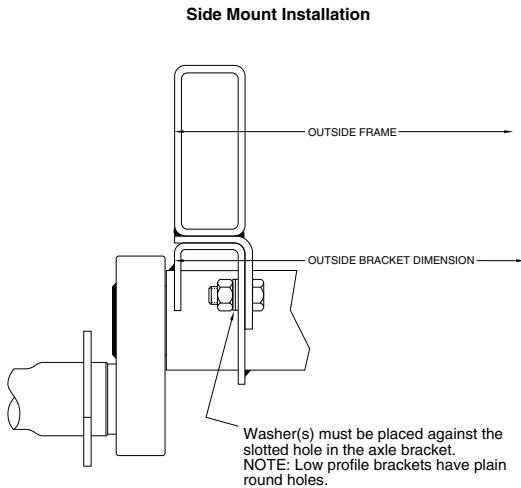
The following instructions describe methods that can be used to attach your Torflex® axles to the vehicle frame.

- Step 1:** The user must first decide where to place the axle(s) on the trailer. The position of the wheel center relative to the CG (center of gravity) will determine the final axle loading as well as the hitch load.
- Step 2:** Determine the method of attachment you wish to use.
- For structural tube type frame rails, refer to Figure 1 for the recommended attachment.
  - For “C” channel or “I” beam type frame, refer to Figure 2.
- Step 3:** Once the method of attachment is decided, the axle(s) must be carefully aligned on the trailer frame. The axle(s) centerline must be perpendicular to the longitudinal centerline of the trailer. See figure 3.

**CAUTION:** Misalignment of the axle(s) can cause poor tracking and accelerated tire wear.

**Attachment to Structural Tube Type Frame**

- Dexter Axle recommends the use of side mounting hangers when mounting axles to tubular type frames. These hangers provide a convenient means for bolting the axles in place. All of the necessary components are included in the Side Mount A/P Kits listed in Chart 1.
- Refer to Chart 2 to find the mounting bracket dimensions of your axles. This chart shows the dimensions from the wheel center to the bolt holes of the brackets.
- The preferred way to use the side mount hanger is to pre-assemble the hangers to the axle using the hardware provided in the A/P kit. Make sure the hangers are clamped firmly against the axle brackets and the bolts are tightened to the torque specifications shown in Chart 1. Position the axle assembly on the frame rails in the desired location and weld the side mount hangers to the frame.
- Axle bracket position is the distance as measured over the outboard edges of the brackets. This dimension is usually matched to the outside measurement of the frame members but depending on the type of frame may not always be suitable. The preferred arrangement should place the longest vertical section of the axle bracket directly under the most rigid section of the frame member.



**Figure 1**

Side mount hangers should be welded to frame with three (3) ¼" fillet welds, 2½" long on each side of the hanger and a fillet weld on each end. Welds should meet the quality standards of the American Welding Society, D1.1, Structural Welding Code.

**Chart 1**

| <b>Attaching Parts Kits and Torque Specifications</b> |                          |                           |                  |                      |
|---|--------------------------|---------------------------|------------------|----------------------|
| <b>Axle Size</b>                                      | <b>A/P Kit Top Mount</b> | <b>A/P Kit Side Mount</b> | <b>Bolt Size</b> | <b>Torque Lb-Ft.</b> |
| #8  | A/P-161-00               | A/P-165-00                | 1/2"             | 70-90                |
| #9  | A/P-161-00               | A/P-165-00                | 1/2"             | 70-90                |
| #10   | A/P-148-00               | A/P-166-00                | 5/8"             | 120-155              |
| #11   | A/P-148-00               | A/P-167-00                | 5/8"             | 120-155              |
| #12   | A/P-148-00               | A/P-168-00                | 5/8"             | 120-155              |
| #12V  | A/P-148-00               | A/P-168-00                | 5/8"             | 120-155              |
| #13   | A/P-148-00               | A/P-169-00                | 5/8"             | 120-155              |

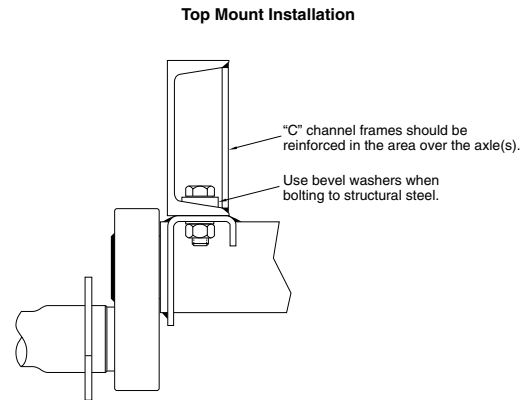
Side mount hangers and fasteners for mounting axle are provided in the A/P Attaching Parts Kits shown in Chart 1. Torque fasteners to levels specified in Chart 1.

**Attachment to Structural Tube Type Frame**

- Refer to Chart 2 to find the mounting bracket dimensions of your axles. This chart shows the dimensions from the wheel center to the bolt holes of the brackets.
- Lay out the bolt hole locations on the bottom flanges of the frame rails. Make sure the hole pattern matches the mounting brackets of your axles and is properly oriented to allow proper alignment of the axle(s).
- An alternate method for determining hole location is to position the axle assembly on the frame rails, align it perpendicular to the trailer centerline, clamp in place and transfer the holes directly from the brackets.
- Drill the holes through the frame rails and attach the axle using the hardware provided in the A/P kit. Tighten the bolts to the torque specified in Chart 1.

**CAUTION:** When bolting to structural shapes that have tapered flanges, bevel washers must be used to prevent uneven clamping and bending of the fasteners.

**Note:** In the unlikely event a Torflex® axle must be replaced during the warranty period, Dexter Axle cannot assume responsibility for additional costs incurred for removal and reinstallation of axles that have been welded directly to the frame.

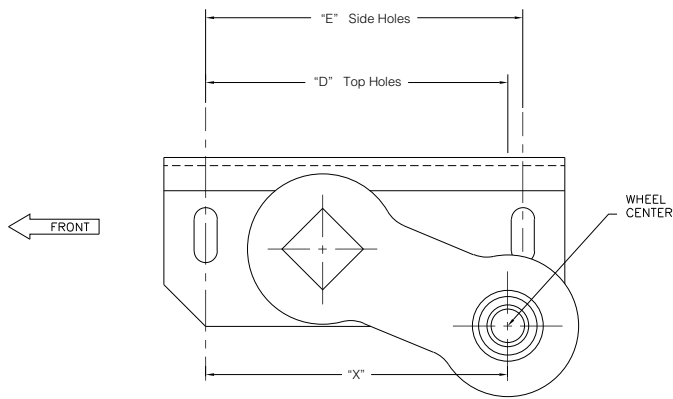


**Figure 2**

**CAUTION:** “C” channel and “I” beam type frame sections should be reinforced in the area over the axle mounting brackets. It is recommended that the vertical leg of the axle bracket be positioned directly under the vertical segment or reinforcement of the frame member.



**Chart 2  
Bracket Dimensions**



Fender Clearance: allow 3" over the tire at full load.

**Start Angle of Trailing Arm  
Mounting Hole to Wheel Center - Dimension "X" (Inches)**

| Torflex®<br>Axle Model | 45° Down   |              | 22.5° Down |              | 10° Down   |              | 0°         |              | 10° Up     |              | 22.5° Up   |              | Mounting Hole<br>Spacing (Inches) |                   |
|------------------------|------------|--------------|------------|--------------|------------|--------------|------------|--------------|------------|--------------|------------|--------------|-----------------------------------|-------------------|
|                        | No<br>Load | Full<br>Load | No<br>Load | Full<br>Load | No<br>Load | Full<br>Load | No<br>Load | Full<br>Load | No<br>Load | Full<br>Load | No<br>Load | Full<br>Load | Dim "D"<br>(Top)                  | Dim "E"<br>(Side) |
| #8 (4" arm)            | 5.21       | 6.08         | 6.08       | 6.38         | 6.32       | 6.29         | 6.38       | 6.08         | 6.32       | 5.75         | 6.08       | 5.21         | 7.75                              | 8.00              |
| #9 (6" arm)            | 6.62       | 7.92         | 7.92       | 8.38         | 8.29       | 8.24         | 8.38       | 7.92         | 8.29       | 7.44         | 7.92       | 6.62         | 7.75                              | 8.00              |
| #10 (6" arm)           | 6.74       | 8.04         | 8.04       | 8.50         | 8.41       | 8.36         | 8.50       | 8.04         | 8.41       | 7.56         | 8.04       | 6.74         | 8.00                              | 8.00              |
| #11 (6" arm)           | 7.74       | 9.04         | 9.04       | 9.50         | 9.41       | 9.36         | 9.50       | 9.04         | 9.41       | 8.56         | 9.04       | 7.74         | 9.00                              | 9.50              |
| #12 (6" arm)           | 7.74       | 9.04         | 9.04       | 9.50         | 9.41       | 9.36         | 9.50       | 9.04         | 9.41       | 8.56         | 9.04       | 7.74         | 9.00                              | 9.50              |
| #12V (6" arm)          | 7.74       | 9.04         | 9.04       | 9.50         | 9.41       | 9.36         | 9.50       | 9.04         | 9.41       | 8.56         | 9.04       | 7.74         | 9.00                              | 9.50              |
| #13 (6" arm)           | 7.84       | 9.17         | 9.17       | 9.63         | 9.54       | 9.49         | 9.63       | 9.17         | 9.54       | 8.69         | 9.17       | 7.87         | 10.56                             | 10.56             |

**Axle Alignment Dimensions**

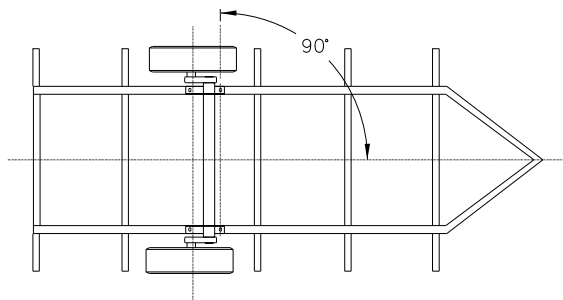


Figure 3

To insure proper tracking, the axle must be placed on the frame perpendicular to the centerline of the vehicle. The accuracy must be within plus or minus one half degree. For multiple axle applications, each axle must be parallel with the others within one sixteenth of an inch when measured at the wheel centers.

**CAUTION:** When laying out the position for the axle(s), measuring from the front cross member should only be done if the cross member has been checked for squareness to the frame centerline. Any error in the cross member will be transferred to the axle and can result in poor tracking and excessive tire wear.



# Dexter Axle Limited Warranty



LIMITED WARRANTY

## WHAT PRODUCTS ARE COVERED

All Dexter Axle Company (“Dexter Axle”) trailer axles, suspensions, and brake control systems excluding Dexter 6000 series Manufactured Housing Axles.

## LIMITED 2 YEAR WARRANTY

Dexter Axle warrants to the original purchaser that its axles, suspension systems, and E/H hydraulic brake actuators shall be free from defects in material and workmanship for a period of two (2) years from the date of first sale of the trailer incorporating such components.

## LIMITED 5 YEAR WARRANTY

Dexter Axle warrants to the original purchaser that its Nev-R-Lube® bearings and the suspension components only, of its Torflex® Axles shall be free from defects in material and workmanship for a period of five (5) years from the date of first sale of the trailer incorporating such components.

## LIMITED 7 YEAR WARRANTY

Dexter Axle warrants to the original purchaser that its Predator Series® electric brake controllers shall be free from defects in material and workmanship for a period of seven (7) years from the date of purchase.

## EXCLUSIVE REMEDY

Dexter Axle will, at its option, repair or replace the affected components of any defective axle, repair or replace the entire defective axle, or refund the then-current list price of the axle. In all cases, a reasonable time period must be allowed for warranty repairs to be completed. Allowance will only be made for installation costs specifically approved by Dexter Axle.

## WHAT YOU MUST DO

In order to make a claim under these warranties:

1. You must be the original purchaser of the vehicle in which the spring suspension axles or Torflex® axles were originally installed.
2. You must promptly notify us within the warranty period of any defect, and provide us with the axle serial number and any substantiation which may include, but is not limited to, the return of part(s) that we may reasonably request.
3. The axles or suspensions must have been installed and maintained in accordance with good industry practice and any specific Dexter Axle recommendations, including those specified in Dexter Axle’s publication “Operation Maintenance Service Manual.”

## EXCLUSIONS

These warranties do not extend to or do not cover defects caused by:

1. The connecting of brake wiring to the trailer wiring or trailer wiring to the towing vehicle wiring.
2. The attachment of the running gear to the frame.
3. Hub imbalance, or any damage caused thereby.

4. Parts not supplied by Dexter Axle.
5. Any damage whatever caused by or related to any alteration of the axle including welding supplemental brackets to the axle.
6. Use of an axle on a unit other than the unit to which it was originally mounted.
7. Normal wear and tear.
8. Alignment.
9. Improper installation.
10. Unreasonable use (including failure to provide reasonable and necessary maintenance as specified in Dexter Axle’s publication “Operation Maintenance Service Manual” including required maintenance after “Prolonged Storage”).
11. Improper wheel nut torque.
12. Cosmetic finish or corrosion.

## LIMITATIONS

1. **In all cases, Dexter Axle reserves the right to fully satisfy its obligations under the Limited Warranties by refunding the then-current list price of the defective axle (or, if the axle has been discontinued, of the most nearly comparable current product).**
2. Dexter Axle reserves the right to furnish a substitute or replacement component or product in the event an axle or any component of the axle is discontinued or is otherwise unavailable.
3. These warranties are nontransferable.

## GENERAL

**THE FOREGOING WARRANTIES ARE EXCLUSIVE AND IN LIEU OF ALL OTHER WARRANTIES EXCEPT THAT OF TITLE, WHETHER WRITTEN, ORAL OR IMPLIED, IN FACT OR IN LAW (INCLUDING ANY WARRANTY OF MERCHANTABILITY OR FITNESS FOR A PARTICULAR PURPOSE).**

These warranties give you specific legal rights, and you may also have other rights which vary from state to state.

**DEXTER AXLE HEREBY EXCLUDES INCIDENTAL AND CONSEQUENTIAL DAMAGES, INCLUDING LOSS OF TIME, INCONVENIENCE, LOSS OF USE, TOWING FEES, TELEPHONE CALLS OR COST OF MEALS, FOR ANY BREACH OF ANY EXPRESS OR IMPLIED WARRANTY.**

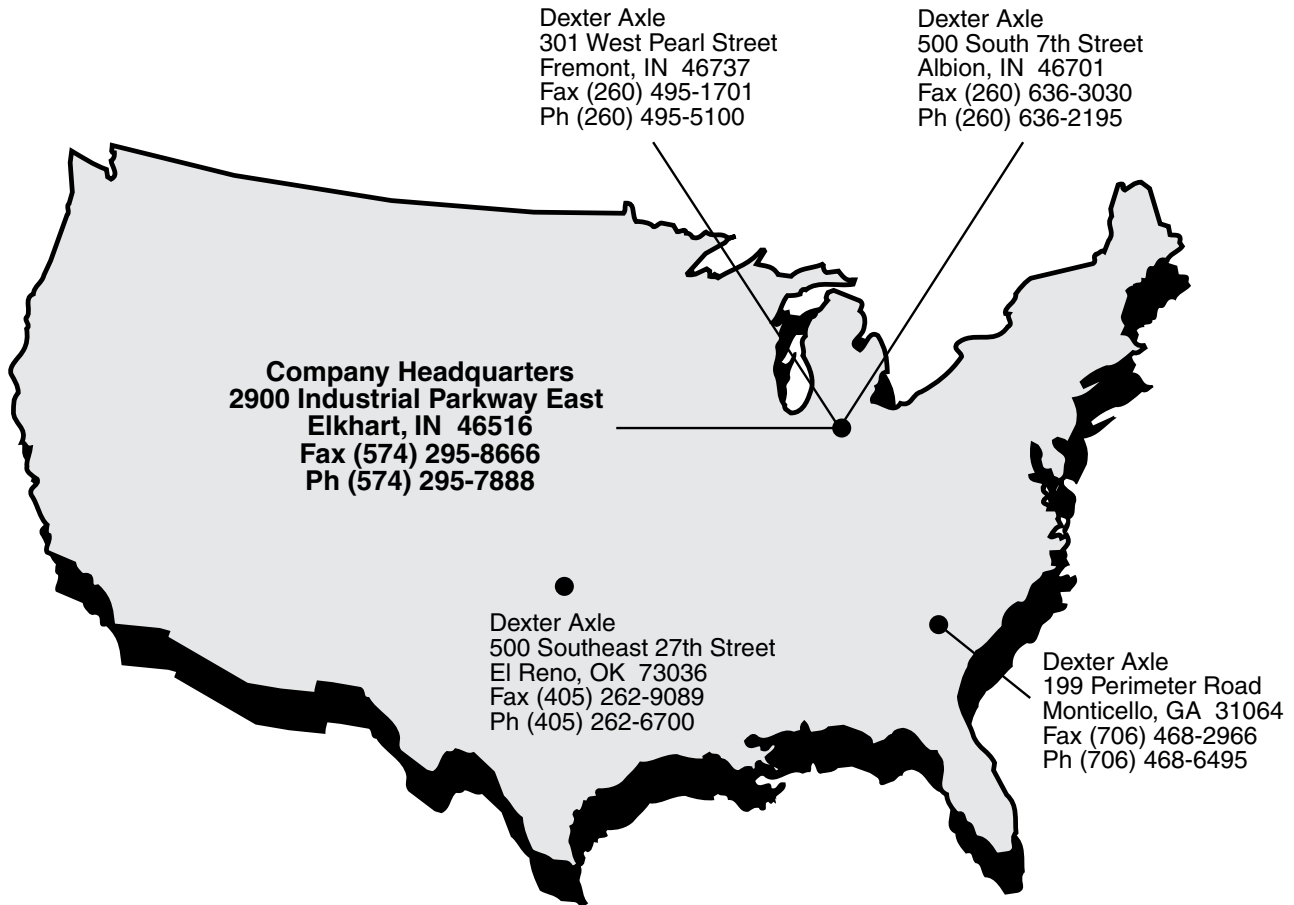
Some states do not allow limitations on how long an implied warranty lasts, or the exclusion or limitation of incidental or consequential damages, so the above exclusion or limitation may not apply to you.

Inquiries regarding these warranties should be sent to:

Dexter Axle Company  
P.O. Box 250  
Elkhart, Indiana 46515

**Genuine Dexter axles and components are available nationwide from our plant locations listed below or through our network of distributors. Check our web site for the distributor nearest you.**

**Visit us online at [www.dexteraxle.com](http://www.dexteraxle.com)**



**DEXTER AXLE**

---

**NO PART OF THIS CATALOG MAY BE REPRODUCED WITHOUT DEXTER AXLE'S PERMISSION.  
ALL PART NUMBERS, DIMENSIONS AND SPECIFICATIONS IN THIS CATALOG ARE SUBJECT  
TO CHANGE WITHOUT NOTICE.**

---

**GEARED FOR INNOVATION SINCE 1960**



**DEXTER AXLE**

[www.dexteraxle.com](http://www.dexteraxle.com)

2900 Industrial Parkway East ■ Elkhart, IN 46516  
Phone: 574-295-7888 ■ Fax: 574-295-8666