



Toll Free 800-323-0966

P.O. Box 115
Alpena, MI 49707-0115
www.pcimfg.com
e-mail: sales@pcimfg.com
or drawings@pcimfg.com



Non-Metallic Track Rollers

Features

- Economical corrosion resistant alternative to stainless steel
- Eliminates noise by elimination of metal-to-metal contact
- Improved design providing added contamination exclusion

Potential Markets

- Food processing
- Plastic handling
- Laboratory testing equipment
- Medical
- Marine

Extreme Duty Solutions

- Food grade lubricant
- Regreasable provisions
- Stainless steel components
- Multiple color options
- Custom body profiles

316 Stainless Steel Track Rollers

Features

- 316 Stainless Steel construction for ultimate corrosion resistance
- Fluorocarbon seals for chemical resistance

Potential Markets

- Food processing
- Petrochemical
- Construction
- Wastewater
- Medical
- Marine
- Chemical

Extreme Duty Solutions

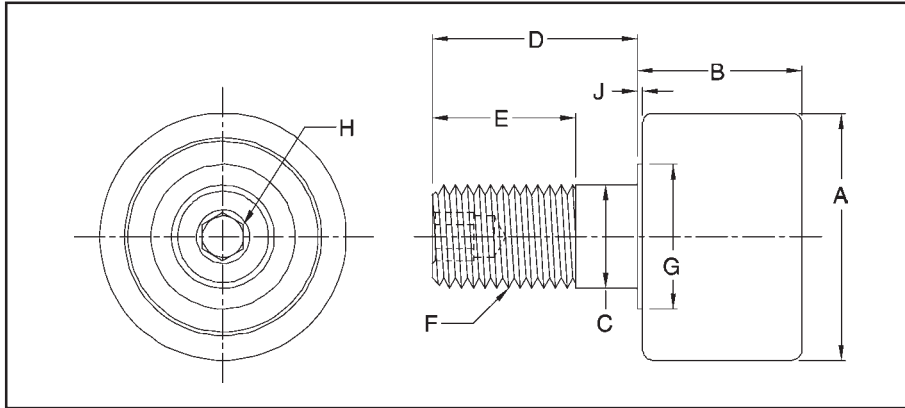
- Food grade lubricant
- Regreasable provisions
- Custom body profiles





“PTR-SS” Series Track Roller

Stud Type Plain 316 Stainless Steel



Plain Track Rollers effectively carry radial loads. For heavy side loads, they can also be positioned to act as side guides. Excellent for wet environments. Chemical/corrosion resistant.

*Jam Nuts and Lock Washers Available.

PCI 316 Stainless Steel Part Number	A Roller Dia. +.000/-.001	B Roller Width	C Stud Dia. +.000/-.001	D Stud Length	E Thread Length	F Fine Thread	G Shoulder Dia.	H Hex Size	J Shoulder Length
PTR-1.00-SS	1.000	.781	.437	1.000	.500	7/16-20	.500	3/16	.031
PTR-1.125-SS	1.125	.781	.437	1.000	.500	7/16-20	.500	3/16	.031
PTR-1.25-SS	1.250	.844	.500	1.250	.625	1/2-20	.625	3/16	.031
PTR-1.375-SS	1.375	.844	.500	1.250	.625	1/2-20	.625	3/16	.031
PTR-1.50-SS	1.500	1.187	.625	1.500	.750	5/8-18	.750	5/16	.063
PTR-1.75-SS	1.750	1.187	.750	1.750	.875	3/4-16	.875	5/16	.063
PTR-2.00-SS	2.000	1.687	.875	2.000	1.125	7/8-14	1.000	5/16	.063
PTR-2.25-SS	2.250	1.687	.875	2.000	1.125	7/8-14	1.000	5/16	.063
PTR-2.50-SS	2.500	1.687	1.000	2.250	1.500	1 -14	1.187	3/8	.063
PTR-2.75-SS	2.750	1.687	1.000	2.250	1.500	1 -14	1.187	3/8	.063

PCI 316 Stainless Steel Part Number	Bearing Capacity						Stud Capacity				Retaining Ring Load
	Radial Load			Thrust Load			Bending = .75Sy		Shear = .75 x .5Sy		
	3000 Hrs. L ₁₀ Life @ 100 RPM	500 Hrs. L ₁₀ Life @ 33 1/3 RPM	Static	3000 Hrs. L ₁₀ Life @ 100 RPM	500 Hrs. L ₁₀ Life @ 33 1/3 RPM	Static	Load @ Center of Roller	Load @ End of Roller	Load @ Mounting Rail		
PTR-1.00-SS	273	716	392	68	179	98	192	80	891	470	
PTR-1.125-SS	273	716	392	68	179	98	192	80	891	470	
PTR-1.25-SS	386	1,011	630	97	253	158	334	149	1,468	470	
PTR-1.375-SS	386	1,011	630	97	253	158	334	149	1,468	470	
PTR-1.50-SS	858	2,248	1,310	215	562	328	607	261	2,625	550	
PTR-1.75-SS	858	2,248	1,310	215	562	328	607	261	2,625	550	
PTR-2.00-SS	1,202	3,151	2,080	301	788	520	1,609	583	5,257	900	
PTR-2.25-SS	1,202	3,151	2,080	301	788	520	1,609	583	5,257	900	
PTR-2.50-SS	1,790	4,691	3,460	448	1,173	865	3,549	1,599	11,384	1,340	
PTR-2.75-SS	1,790	4,691	3,460	448	1,173	865	3,549	1,599	11,384	1,340	

316 Stainless Steel Track Rollers

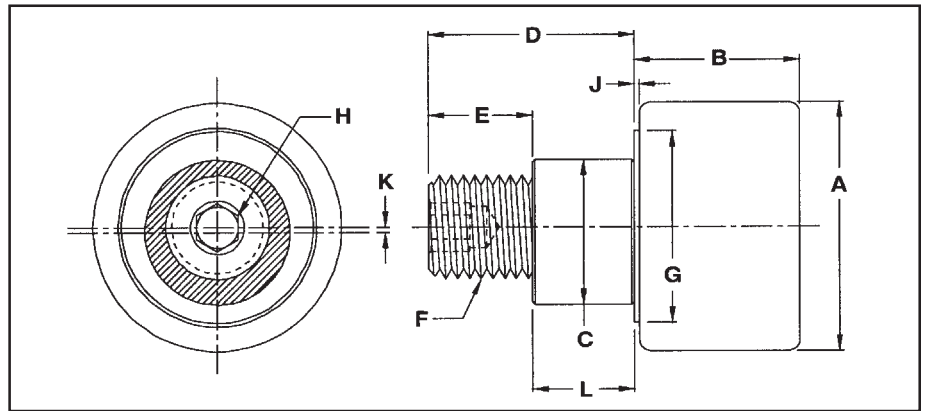
- Crowned outside diameters
- 316 Stainless steel material
- Regreasable provisions
- Extreme moisture/washdown resistant
- Stainless steel internal ball bearings
- Food grade lubricant
- Made to order special designs

PCI "PTRE-SS" Series Track Roller

Stud Type Plain - Eccentric 316 Stainless Steel

Eccentric Track Rollers are used where precision alignment is necessary. The stud can be rotated before the roller is tightened into position, which overcomes locational tolerance and unequal loading of multiple rollers. It will also help with alignment in guiding applications.

*Jam Nuts and Lock Washers Available.



PCI 316 Stainless Steel Part Number	A Roller Dia. +.000/- .001	B Roller Width	C Ecc. Dia. +.000/- .001	D Stud Length	E Thread Length	F Fine Thread	G Shoulder Dia.	H Hex Size	J Shoulder Length	K Ecc. Offset	L Ecc. Length
PTRE-1.00-SS	1.000	.781	.625	1.000	.520	7/16-20	.730	3/16	.031	.030	.480
PTRE-1.125-SS	1.125	.781	.625	1.000	.520	7/16-20	.730	3/16	.031	.030	.480
PTRE-1.25-SS	1.250	.844	.687	1.250	.645	1/2-20	.812	3/16	.031	.030	.605
PTRE-1.375-SS	1.375	.844	.687	1.250	.645	1/2-20	.812	3/16	.031	.030	.605
PTRE-1.50-SS	1.500	1.187	.875	1.500	.770	5/8-18	1.125	5/16	.063	.030	.730
PTRE-1.75-SS	1.750	1.187	1.000	1.750	.895	3/4-16	1.250	5/16	.063	.030	.855
PTRE-2.00-SS	2.000	1.687	1.187	2.000	1.020	7/8-14	1.500	5/16	.063	.030	.980
PTRE-2.25-SS	2.250	1.687	1.187	2.000	1.020	7/8-14	1.500	5/16	.063	.030	.980
PTRE-2.50-SS	2.500	1.687	1.375	2.250	1.145	1 -14	1.688	3/8	.063	.030	1.105
PTRE-2.75-SS	2.750	1.687	1.375	2.250	1.145	1 -14	1.688	3/8	.063	.030	1.105

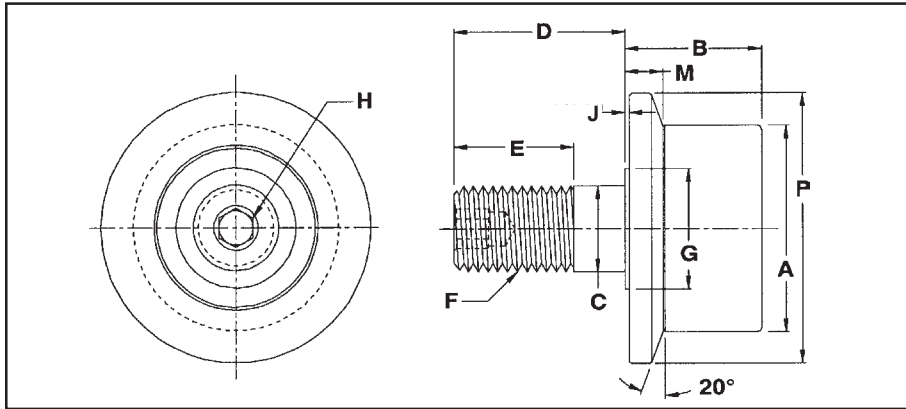
PCI 316 Stainless Steel Part Number	Bearing Capacity						Stud Capacity				Retaining Ring Load
	Radial Load			Thrust Load			Bending = .75Sy		Shear = .75 x .5Sy		
	3000 Hrs. L ₁₀ Life @ 100 RPM	500 Hrs. L ₁₀ Life @ 33 1/3 RPM	Static	3000 Hrs. L ₁₀ Life @ 100 RPM	500 Hrs. L ₁₀ Life @ 33 1/3 RPM	Static	Load @ Center of Roller	Load @ End of Roller	Load @ Mounting Rail		
PTRE-1.00-SS	273	716	392	69	179	98	192	80	891	470	
PTRE-1.125-SS	273	716	392	69	179	98	192	80	891	470	
PTRE-1.25-SS	386	1,011	630	97	253	158	334	149	1,468	470	
PTRE-1.375-SS	386	1,011	630	97	253	158	334	149	1,468	470	
PTRE-1.50-SS	858	2,248	1,310	215	562	328	607	261	2,625	550	
PTRE-1.75-SS	858	2,248	1,310	215	562	358	607	261	2,625	550	
PTRE-2.00-SS	1,202	3,151	2,080	301	788	520	1,609	583	5,257	900	
PTRE-2.25-SS	1,202	3,151	2,080	301	788	520	1,609	583	5,257	900	
PTRE-2.50-SS	1,790	4,691	3,460	448	1,173	865	3,549	1,599	11,384	1,340	
PTRE-2.75-SS	1,790	4,691	3,460	448	1,173	865	3,549	1,599	11,384	1,340	

316 Stainless Steel Track Rollers

- Crowned outside diameters
- 316 Stainless steel material
- Regreasable provisions
- Extreme moisture/washdown resistant
- Stainless steel internal ball bearings
- Food grade lubricant
- Made to order special designs

PCI "FTR-SS" Series Track Roller

Stud Type Flanged 316 Stainless Steel



Flanged Track Rollers are used where light side thrust loads exist. When used in this manner, the flange acts as a guide. Flanged Track Rollers are also used in combination with Plain Track Rollers.

*Jam Nuts and Lock Washers Available.

PCI 316 Stainless Steel Part Number	A Roller Dia. +.000/-001	B Roller Width	C Stud Dia. +.000/-001	D Stud Length	E Thread Length	F Fine Thread	G Shoulder Diameter	H Hex Size	J Shoulder Length	M Flange Width	P Flange Diameter
FTR-1.00-SS	1.000	.781	.437	1.000	.500	7/16-20	.500	3/16	.031	.219	1.375
FTR-1.125-SS	1.125	.781	.437	1.000	.500	7/16-20	.500	3/16	.031	.219	1.500
FTR-1.25-SS	1.250	.844	.500	1.250	.625	1/2-20	.625	3/16	.031	.219	1.563
FTR-1.375-SS	1.375	.844	.500	1.250	.625	1/2-20	.625	3/16	.031	.219	1.688
FTR-1.50-SS	1.500	1.187	.625	1.500	.750	5/8-18	.750	5/16	.063	.343	2.187
FTR-1.75-SS	1.750	1.187	.750	1.750	.875	3/4-16	.875	5/16	.063	.343	2.437
FTR-2.00-SS	2.000	1.687	.875	2.000	1.000	7/8-14	1.000	5/16	.063	.593	2.687
FTR-2.25-SS	2.250	1.687	.875	2.000	1.000	7/8-14	1.000	5/16	.063	.593	2.937
FTR-2.50-SS	2.500	1.687	1.000	2.250	1.500	1-14	1.187	3/8	.063	.593	3.187
FTR-2.75-SS	2.750	1.687	1.000	2.250	1.500	1-14	1.187	3/8	.063	.593	3.437

PCI 316 Stainless Steel Part Number	Bearing Capacity						Stud Capacity				
	Radial Load			Thrust Load			Bending = .75Sy		Shear = .75 x .5Sy		Retaining Ring Load
	3000 Hrs. L ₁₀ Life @ 100 RPM	500 Hrs. L ₁₀ Life @ 33 1/3 RPM	Static	3000 Hrs. L ₁₀ Life @ 100 RPM	500 Hrs. L ₁₀ Life @ 33 1/3 RPM	Static	Load @ Center of Roller	Load @ End of Roller	Load @ Mounting Rail		
FTR-1.00-SS	273	716	392	69	179	98	192	80	891	470	
FTR-1.125-SS	276	716	392	69	179	98	192	80	891	470	
FTR-1.25-SS	386	1,011	630	97	253	158	334	149	1,468	470	
FTR-1.375-SS	386	1,011	630	97	253	158	334	149	1,468	470	
FTR-1.50-SS	858	2,248	1,310	215	562	328	607	261	2,625	550	
FTR-1.75-SS	858	2,248	1,310	215	562	328	607	261	2,625	550	
FTR-2.00-SS	1,202	3,151	2,080	301	788	520	1,609	583	5,257	900	
FTR-2.25-SS	1,202	3,151	2,080	301	788	520	1,609	583	5,257	900	
FTR-2.50-SS	1,790	4,691	3,460	448	1,173	865	3,549	1,599	11,384	1,340	
FTR-2.75-SS	1,790	4,691	3,460	448	1,173	865	3,549	1,599	11,384	1,340	

316 Stainless Steel Track Rollers

- Crowned outside diameters
- 316 Stainless steel material
- Regreasable provisions
- Extreme moisture/washdown resistant
- Stainless steel internal ball bearings
- Food grade lubricant
- Made to order special designs

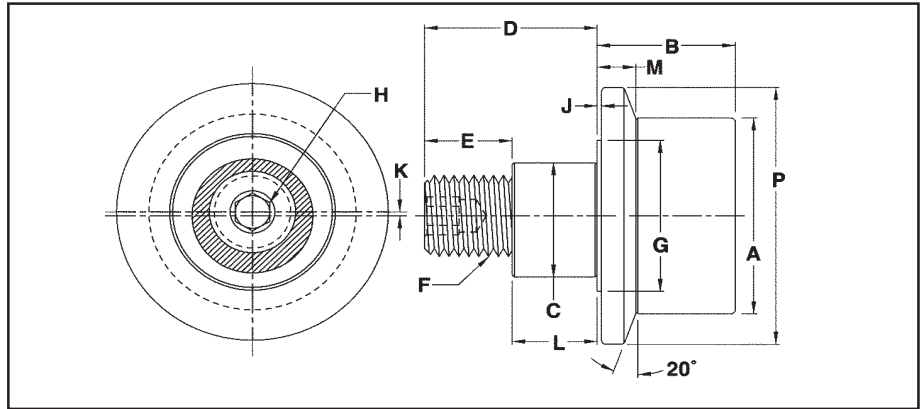


"FTRE-SS" Series Track Roller

Stud Type Flanged - Eccentric 316 Stainless Steel

Flanged Eccentric Track Rollers are used where precision alignment is necessary. The stud can be rotated before the roller is tightened into position, which overcomes locational tolerance and unequal loading of multiple rollers. It will also help with alignment in guiding applications.

*Jam Nuts and Lock Washers Available.



PCI 316 Stainless Steel Part Number	A Roller Dia. +.000/- .001	B Roller Width	C Ecc. Dia. +.000/- .001	D Stud Length	E Thread Length	F Fine Thread	G Shoulder Diameter	H Hex Size	J Shoulder Length	K Ecc. Offset	L Ecc. Length	M Flange Width	P Flange Diameter
FTRE-1.00-SS	1.000	.781	.625	1.000	.520	7/16-20	.730	3/16	.031	.030	.480	.219	1.375
FTRE-1.125-SS	1.125	.781	.625	1.000	.520	7/16-20	.730	3/16	.031	.030	.480	.219	1.500
FTRE-1.25-SS	1.250	.844	.687	1.250	.645	1/2-20	.812	3/16	.031	.030	.605	.219	1.563
FTRE-1.375-SS	1.375	.844	.687	1.250	.645	1/2-20	.812	3/16	.031	.030	.605	.219	1.688
FTRE-1.50-SS	1.500	1.187	.875	1.500	.770	5/8-18	1.125	5/16	.031	.030	.730	.343	2.187
FTRE-1.75-SS	1.750	1.187	1.000	1.750	.895	3/4-16	1.250	5/16	.063	.030	.855	.343	2.437
FTRE-2.00-SS	2.000	1.687	1.187	2.000	1.020	7/8-14	1.500	5/16	.063	.030	.980	.593	2.687
FTRE-2.25-SS	2.250	1.687	1.187	2.000	1.020	7/8-14	1.500	5/16	.063	.030	.980	.593	2.937
FTRE-2.50-SS	2.500	1.687	1.375	2.250	1.145	1 -14	1.688	3/8	.063	.030	1.105	.593	3.187
FTRE-2.75-SS	2.750	1.687	1.375	2.250	1.145	1 -14	1.688	3/8	.063	.030	1.105	.593	3.437

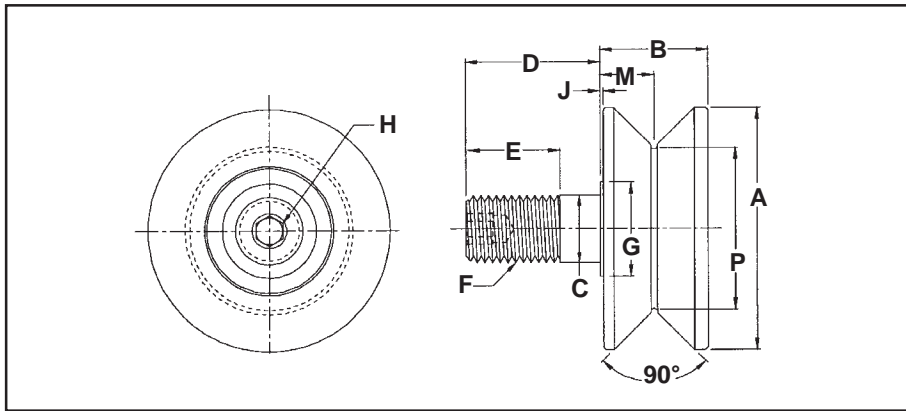
PCI 316 Stainless Steel Part Number	Bearing Capacity						Stud Capacity				Retaining Ring Load
	Radial Load			Thrust Load			Bending = .75Sy		Shear = .75 x .5Sy		
	3000 Hrs. L ₁₀ Life @ 100 RPM	500 Hrs. L ₁₀ Life @ 33 1/3 RPM	Static	3000 Hrs. L ₁₀ Life @ 100 RPM	500 Hrs. L ₁₀ Life @ 33 1/3 RPM	Static	Load @ Center of Roller	Load @ End of Roller	Load @ Mounting Rail		
FTRE-1.00-SS	273	716	392	69	179	98	192	80	891	470	
FTRE-1.125-SS	273	716	392	69	179	98	192	80	891	470	
FTRE-1.25-SS	386	1,011	630	97	253	158	334	149	1,468	470	
FTRE-1.375-SS	386	1,011	630	97	253	158	334	149	1,468	470	
FTRE-1.50-SS	858	2,248	1,310	215	562	328	607	251	2,625	550	
FTRE-1.75-SS	858	2,248	1,310	215	562	328	607	251	2,625	550	
FTRE-2.00-SS	1,202	3,151	2,080	301	788	520	1,609	583	5,257	900	
FTRE-2.25-SS	1,202	3,151	2,080	301	788	520	1,609	583	5,257	900	
FTRE-2.50-SS	1,790	4,691	3,460	448	1,173	865	3,549	1,599	11,384	1,340	
FTRE-2.75-SS	1,790	4,691	3,460	448	1,173	865	3,549	1,599	11,384	1,340	

316 Stainless Steel Track Rollers

- Crowned outside diameters
- 316 Stainless steel material
- Regreasable provisions
- Extreme moisture/washdown resistant
- Stainless steel internal ball bearings
- Food grade lubricant
- Made to order special designs

PCI "VTR-SS" Series Track Roller

Stud Type V-Grooved 316 Stainless Steel



V-Grooved Track Rollers are designed to operate on "V" bar tracks, common in environments where sand, powder or chips would be likely to build up on a flat track.

*Jam Nuts and Lock Washers Available.

PCI 316 Stainless Steel Part Number	A Roller Dia. +.000/-.001	B Roller Width	C Stud Dia. +.000/-.001	D Stud Length	E Thread Length	F Fine Thread	G Shoulder Dia.	H Hex Size	J Shoulder Length	M Groove Center	P Point Dia. +.000/-.001
VTR-1.50-SS	1.500	.781	.437	1.000	.500	7/16-20	.500	3/16	.031	.391	1.125
VTR-2.00-SS	2.000	.844	.500	1.250	.625	1/2 - 20	.625	3/16	.031	.422	1.375
VTR-2.50-SS	2.500	1.313	.750	1.750	.875	3/4-16	.875	5/16	.063	.688	1.500
VTR-3.50-SS	3.500	1.687	.875	2.000	1.125	7/8-14	1.000	5/16	.063	.875	2.250

PCI 316 Stainless Steel Part Number	Bearing Capacity						Stud Capacity				Retaining Ring Load
	Radial Load			Thrust Load			Bending = .75Sy		Shear = .75 x .5Sy		
	3000 Hrs. L ₁₀ Life @ 100 RPM	500 Hrs. L ₁₀ Life @ 33 1/3 RPM	Static	3000 Hrs. L ₁₀ Life @ 100 RPM	500 Hrs. L ₁₀ Life @ 33 1/3 RPM	Static	Load @ Center of Roller	Load @ End of Roller	Load @ Mounting Rail		
VTR-1.50-SS	273	716	392	69	179	98	192	80	891	470	
VTR-2.00-SS	386	1,011	630	97	253	158	334	149	1,468	470	
VTR-2.50-SS	858	2,248	1,310	215	562	328	532	233	2,625	550	
VTR-3.50-SS	1,202	3,151	2,080	301	788	520	1,609	583	5,257	1,340	

316 Stainless Steel Track Rollers

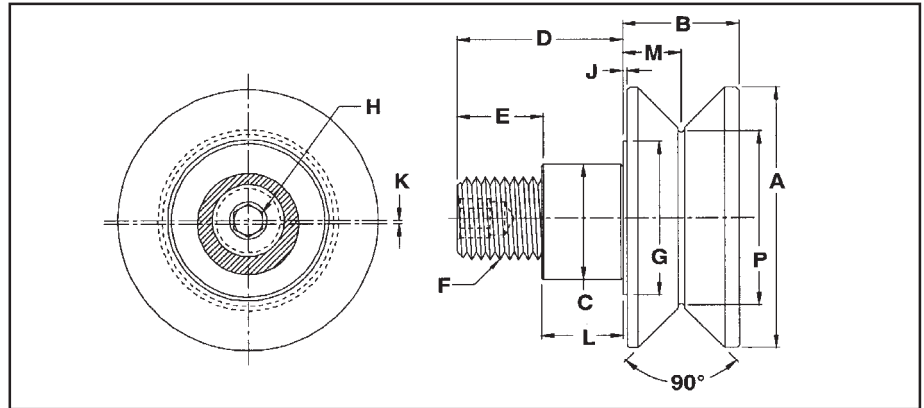
- Crowned outside diameters
- 316 Stainless steel material
- Regreasable provisions
- Extreme moisture/washdown resistant
- Stainless steel internal ball bearings
- Food grade lubricant
- Made to order special designs

PCI "VTRE-SS" Series Track Roller

Stud Type V-Grooved - Eccentric 316 Stainless Steel

V-Grooved Eccentric Track Rollers are used where precision alignment is necessary. The stud can be rotated before the roller is tightened into position, which overcomes locational tolerance and unequal loading of multiple rollers. It will also help with alignment in guiding applications.

*Jam Nuts and Lock Washers Available.



PCI 316 Stainless Steel Part Number	A Roller Dia. +.000/- .001	B Roller Width	C Ecc. Dia. +.000/- .001	D Stud Length	E Thread Length	F Fine Thread	G Shoulder Dia.	H Hex Size	J Shoulder Length	K Ecc. Offset	L Ecc. Length	M Groove Center	P Point Dia. +.000/- .001
VTRE-1.50-SS	1.500	.781	.625	1.000	.520	7/16 - 20	.730	3/16	.031	.030	.480	.391	1.125
VTRE-2.00-SS	2.000	.844	.687	1.250	.645	1/2 - 20	.812	3/16	.031	.030	.605	.422	1.375
VTRE-2.50-SS	2.500	1.313	1.000	1.750	.895	3/4-16	1.250	5/16	.063	.030	.855	.688	1.500
VTRE-3.50-SS	3.500	1.687	1.187	2.000	1.020	7/8-14	1.500	5/16	.063	.030	.980	.875	2.250

PCI 316 Stainless Steel Part Number	Bearing Capacity						Stud Capacity				
	Radial Load			Thrust Load			Bending = .75Sy		Shear = .75 x .5Sy		Retaining Ring Load
	3000 Hrs. L ₁₀ Life @ 100 RPM	500 Hrs. L ₁₀ Life @ 33 1/3 RPM	Static	3000 Hrs. L ₁₀ Life @ 100 RPM	500 Hrs. L ₁₀ Life @ 33 1/3 RPM	Static	Load @ Center of Roller	Load @ End of Roller	Load @ Mounting Rail		
VTRE-1.50-SS	273	716	392	69	179	98	192	80	891	470	
VTRE-2.00-SS	386	1,011	630	97	253	158	334	149	1,468	470	
VTRE-2.50-SS	858	2,248	1,310	215	562	328	532	233	2,625	550	
VTRE-3.50-SS	1,202	3,151	2,080	301	788	520	1,609	583	5,257	1,340	

316 Stainless Steel Track Rollers

- Crowned outside diameters
- 316 Stainless steel material
- Regreasable provisions
- Extreme moisture/washdown resistant
- Stainless steel internal ball bearings
- Food grade lubricant
- Made to order special designs

PNEUMATIC CLUTCHES & BRAKES

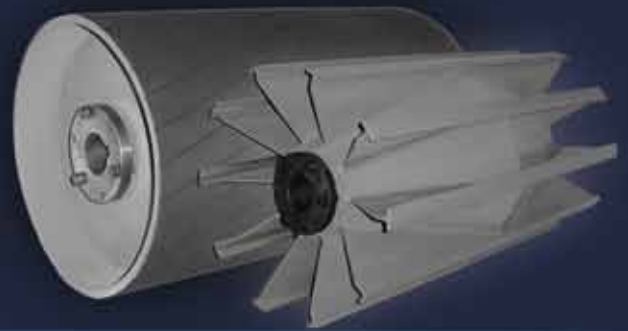
- Components designed for zone or accumulation live roller systems
- Cycles- no more than 5 cycles per minute

CONVEYOR PULLEYS & ACCESSORIES

- Unit/Package Handling Pulleys
 - Formed Gauge Wall Series Pulleys
 - “Manufactured with a Trapezoidal Crown for maximum concentricity and reduced belt wear”
 - Machined Heavy Wall Series Pulleys
- Stainless Steel Drum & Wing Pulleys
 - 3 distinctive stainless steel classes to provide “Stainless Selection and Solutions Simplified”
- Heavy Duty Drum & Wing Pulleys
- Mine Duty Drum & Wing Pulleys
- Spiral Drum & Wing Pulleys
- Deflection Wheels
- Shafting
- Take-Up Frames & Covers
- *Specialty Designs Available*

Lagging & Coating

- Vulcanized Rubber Lagging
- Cold Bond Lagging
- Holz® Replaceable Slide Lagging
- Wing Tip Lagging
- Food Grade Lagging
- Ceramic Lagging
- Urethane Coatings
- *Many Lagging Compounds in Stock*
- *Re-Lagging Service Available*



LOAD BEARING ROLLER ASSEMBLIES *“Breaking the Limits of the Catalog with Choices for a Solution...”*

PRE-ENGINEERED TRACK ROLLERS & CAM FOLLOWERS

- In STOCK and manufactured in Alpena, Michigan
- Directly interchangeable with industry standards
- Bearing options: Ball, Needle, and Tapered Roller Bearing
- Roller Body Profiles: Crowned, Flanged, V-Groove, U-Groove, Channel & I-Beam

EXTREME DUTY SOLUTIONS INCLUDE:

- 316 Stainless Steel
- Non-Metallic
- High Temperature – 390F
- Regreasable

MODIFIED ROLLER DESIGNS

- *1 Week Standard Delivery*
- Common modifications include:
 - Custom relubrication provisions
 - Custom crown profiles
 - Custom grooves
 - Special lubricant

MADE-TO-ORDER DESIGNS

- *2-4 Week Standard Delivery*
- Toll-Free personalized application assistance
- Unique item specification numbers make for easy ordering
- PCI makes Custom Roller Solutions a reality, call us today

PCI, ProCal Inc.

www.pcimfg.com

e-mail: sales@pcimfg.com or

drawings@pcimfg.com

Phone: 989.358.7070 Fax: 989.358.7075

Toll Free 800.323.0966