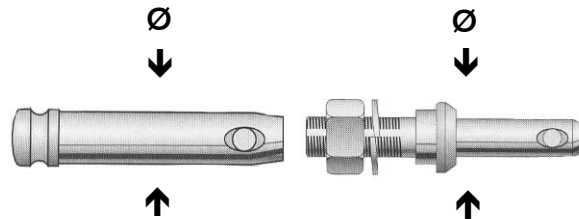


**INDEX**

3 Point Linkage Definition of Categories .....	1	Model 925 Gearbox Parts.....	24
Adjustable Top Links .....	2	Model 925 PTO Shaft .....	25
Ratchet Jack with Pins .....	2	HPD-16 & HPD-20 Parts List.....	27
Bulldog Ratchet Jacks .....	3	DCR-4, DCR-5 Replacement Parts .....	29
Top Link Pins .....	4	MCR-6, MCR-7 Replacement Parts .....	30
Category 1 Top Link Pins .....	4	ULR-6, ULR-7, ULR-8 Replacement Parts.....	31
Category 1/2 Top Link Pin Conversion Set .....	4	DGW-20 Dual Gauge Wheel - Replacement Parts .....	33
Category 2 Top Link Pins .....	5	PLR-48, PLR-60, PLR-72 Landscape Rakes	
Category 3 Top Link Pins .....	5	- Replacement Parts .....	34
Category 1-2 Top Link Pins .....	5	FOD - 15 Flip Over Disc - Replacement Parts .....	35
Lower Link Implement Pins .....	7	Deep Tillage Ripper - Replacement Parts.....	36
Category 0 Implement Pins .....	6	Single Bottom Plow - Replacement Parts.....	37
Category 1 Implement Pins .....	6	Two Bottom Plow - Replacement Parts .....	38
Category 2 Lower Link Implement Pins .....	7	One & Two Bottom Plow Moldboard Assembly	
Category 1/2 Implement Pins.....	8	- Replacement Parts .....	39
Category 3 Implement Pins .....	8	One & Two Bottom Plow Coulter Assembly	
3 Point Linkage Bushings .....	9	- Replacement Parts .....	40
Top Linkage Conversion Bushings.....	9	Westward CDT Cultivator - Replacement Parts.....	41
Lower Linkage Conversion Bushings .....	9	Westward CML Cultivator - Replacement Parts .....	41
Lower Link Implement Pins .....	10	Agric AL Series Tiller - Replacement Parts.....	42
Category 1/2 Implement Pins.....	10	Agric AFMJ Series Tiller - Replacement Parts .....	46
3 Point Drawbars .....	10	FAZA 3 Pt. Fertilizer Spreader - Replacement Parts .....	50
Westward 3pt. - Replacement Parts.....	11	ATVK -350, ATVK-370, ATVK-390 - Replacement Parts .....	51
Parts to fit GMR 148/160 .....	11	Tebben 40", 4', 5' & 6' 3 Pt. Economy Mower	
Parts to fit GMR 272/284 .....	12	- Replacement Parts .....	52
Parts to fit GMR 384.....	13	Tecma FM120, FMR 120, FM150, FMR150, FM180, FMR230 -	
Repair Parts for 384T BLADE.....	14	Replacement Parts.....	55
Repair Parts for 396T BLADE.....	14	Westward LS41 Lawn Sweep - Replacement Parts.....	59
Post Hole Digger Replacement Parts.....	15	Model 580 Cement Mixer - Replacement Parts.....	62
Standard Duty Auger Parts .....	15	Westward 3 Pt. Bale Handler/Unroller .....	63
Heavy Duty Single Flight Auger Parts .....	15	Westward Pulltype & 3 Pt. Hay Rake - Replacement Parts.....	64
Heavy Duty Double Flight Auger Parts .....	16	Bronco 9 Wheel Pull Type Rake - Replacement Parts .....	65
12" Auger Extension Parts.....	16	Main Frame Assembly .....	65
Model 300 Parts.....	17	Ground Wheels Assembly .....	67
Model 300 & 500 Gearbox Parts .....	18	Right Hand Finger Wheel Assy. Drawbar Assy. ....	66
Model 300 & 500 PTO Shaft Parts .....	19	Finger Wheel Lift Assy. Hydraulic Lift Assy. ....	67
Model 300 & 500 PTO Shaft Parts .....	20		
Model 720 Parts.....	21		
Model 720 Gearbox Parts.....	22		
Model 925 Gearbox Parts.....	23		

**3 POINT LINKAGE DEFINITION OF CATEGORIES**

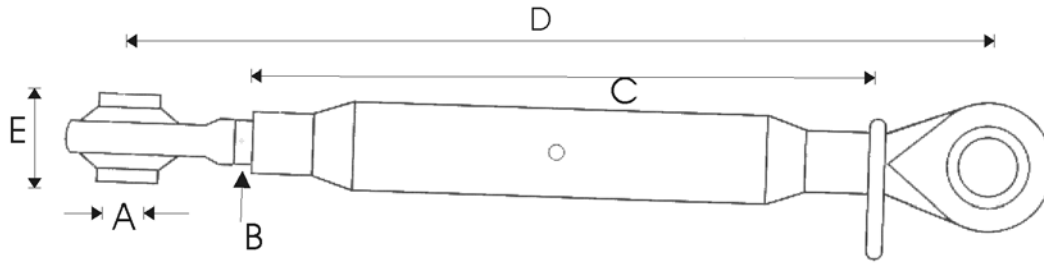


CATEGORY	TOP LINK	CATEGORY	LOWER LINK
0	5/8" (16 mm)	0	5/8" (16 mm)
1	3/4" (19 mm)	1	7/8" (22 mm)
2	1" (25 mm)	2	1 1/8" (28 mm)
3	1 1/4" (32 mm)	3	1 7/16" (36 mm)

**The linkage of a tractor is often described in terms of Category 0, 1, 2 or 3.**

**The table above shows the dimensions which correspond to these Categories.**

## ADJUSTABLE TOP LINKS



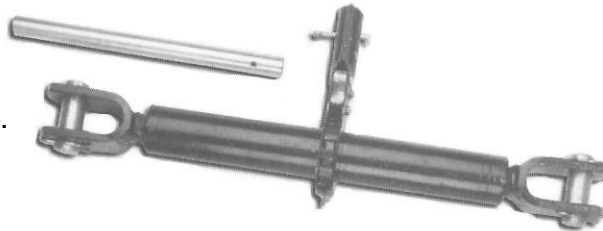
### TOP LINKS (WITH FORGED ENDS)

PART NO.	CATEGORY	A	B	C	D MIN.	D MAX	E
3PP 4418	0	5/8"	3/4"	7 1/2"	10 3/4"	16 3/8"	1"
3PP 334	1	3/4"	1 1/8"	16"	20 1/2"	29"	1 3/4"
3PP 337	2	1"	1 1/8"	20"	25"	37"	2"
3PP 847	3	1 1/4"	1 3/8"	19"	25 1/2"	36 1/2"	2"
3PP 4718	1	3/4"	3/4"	14 3/4"	20 1/2"	32 1/2"	1 5/8"

Note: 3PP 4718 is for Iseki and Kubota tractors.

## RATCHET JACK WITH PINS

- Painted black.
- Includes 2 pins and handle.



PART NO.	THREAD DIAMETER	PIN DIAMETER	HOLE CENTER ADJUSTMENT
3PP 447	1 1/4"	1"	20"-28"

## BULLDOG RATCHET JACKS

Bulldog strength and durability puts this tough and trusted Ratchet Jack ahead of the rest. Every working part is manufactured using the highest quality assurance standards. Each engineering detail is designed for maximum strength and functionality. Every surface is protected against wear and weather. Put it all together and you've got a jack you can depend on for years of trouble-free service.



### Count on Bulldog Ratchet Jacks for:

- Load bearing and lifting
- Height adjustment
- Three point hitch elevation
- Implement leveling
- Wheel extension and retraction

### Bulldog Ratchet Jacks Outperform the Competition:

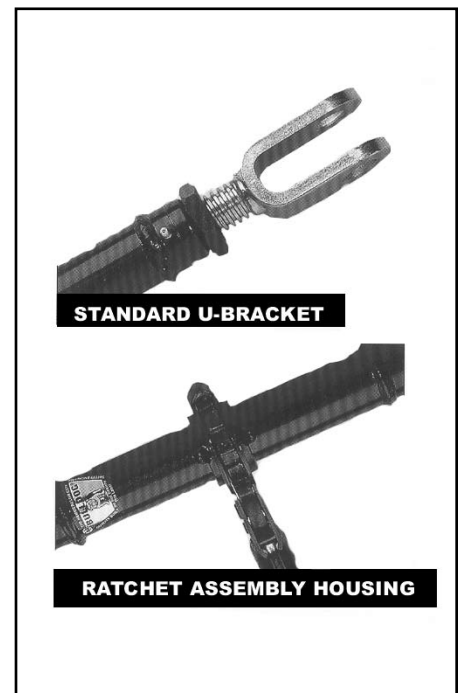
- 16,000 pounds pull (tension)
- 10,000 pounds push (compression)
- Stainless steel flat ratchet spring tested to 20 times the competition's life
- 3/8" U brackets tested to the endurance limit specified by a major OEM. Exceeds competition's life by a factor of six.
- 20" retracted, 28" extended



- Painted outer tube (black)
- 2 zerk fittings
- Hexagonal jam nut
- Yellow zinc dichromate plated 12" handle and cotter pin included
- 3/8" thick yellow zinc plated U brackets
- Reinforced steel assembly housing with user friendly pawl
- Stainless steel flat spring
- 1 1/8" - 5 yellow zinc dichromate plated Acme screw
- 2 - 1" diameter pins with clips included

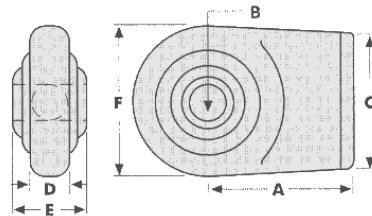
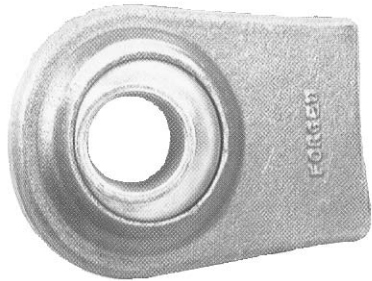
PART NO.

3PP 447HD



# LOWER LINK BALLS

## Weld-on Lower Link Ball Ends

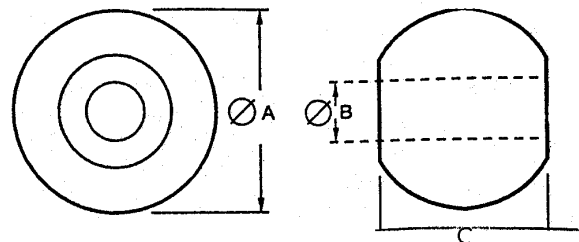


PART NO.	A	B	C	D	E	F
3PP 1338	2 3/4" (70 mm)	7/8" (22 mm)	2 3/8" (60 mm)	5/8" (16 mm)	1 3/8" (35 mm)	2 5/8" (66 mm)
3PP 1342	3 1/8" (80 mm)	1 1/8" (28.5 mm)	2 3/4" (70 mm)	3/4" (19 mm)	1 1/2" (38 mm)	3 1/8" (80 mm)
3PP 4215	3 1/2" (83 mm)	1 7/16" (36.5 mm)	3 15/16" (100 mm)	7/8" (22 mm)	1 3/4" (44.5 mm)	3 15/16" (100 mm)

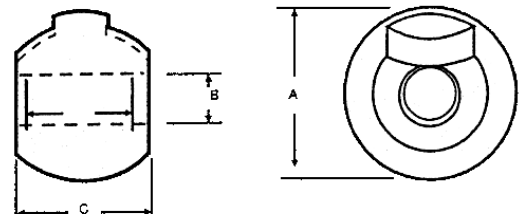
## Lower Link Replacement Balls

\*Replacement balls are sold in pairs.

PART NO.	CAT	A	B	C	REPLACES FORD PART #
		INCH	INCH	INCH	
3PP 4127	1	2 1/4	7/8	1 3/8	E1ADDN995233
3PP 4128	2	2 1/4	1 1/8	1 3/4	C5NN557A

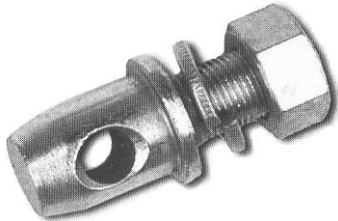


PART NO.	CAT	A	B	C	REPLACES MF PART #
		INCH	INCH	INCH	
3PP 4129	1	2 1/4	7/8	1 3/8	866 428 M1
3PP 4130	2	2 1/4	1 1/8	1 3/4	866 429 M1



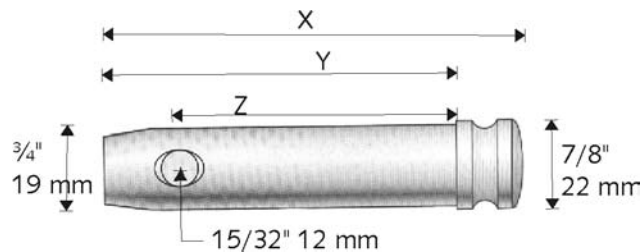
## STABILIZER PINS W/NUT & WASHER

PART NO.	DESCRIPTION	OEM #	PIN DIA	THREAD DIA	USABLE LENGTH	OVERALL LENGTH
3PP 4122	Stabilizer Pin Pkg/2	Ford 230044 - MF181777M1	7/8"	5/8"	1/2"	2 7/8"



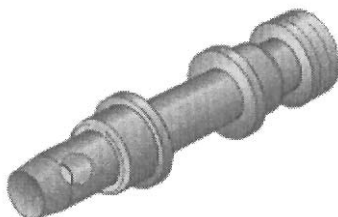
## TOP LINK PINS

### Category 1 Top Link Pins

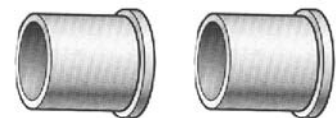


PART NO.	X	Y	Z
3PP 115	3 9/16" (90 mm)	2 7/8" (73 mm)	2 1/16" (52 mm)
3PP 231	3 9/16" (90 mm)	2 7/8" (73 mm)	2 1/4" (57 mm)
3PP 73	4 7/16" (113 mm)	3 3/4" (95 mm)	3" (76 mm)
3PP 75	5" (127 mm)	4 5/16" (110 mm)	3 5/8" (92 mm)
3PP 74	5 7/16" (138 mm)	4 3/4" (121 mm)	4 1/32" (102 mm)
3PP 77	6 7/16" (164 mm)	5 3/4" (146 mm)	5" (127 mm)

### Category 1/2 Top Link Pin Conversion Set



Set Consists of One 3PP 75 Pin  
and Two 3PP 354 Bushings

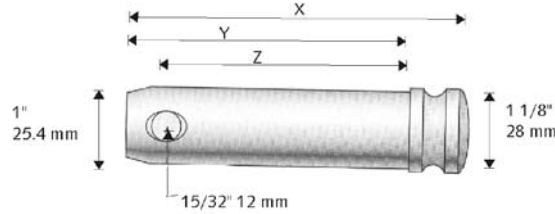


PART NO.

3PP 3872

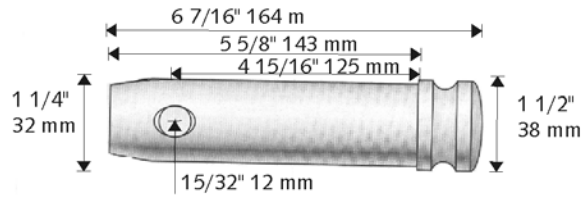
# TOP LINK PINS

## Category 2 Top Link Pins



PART NO.	X	Y	Z
3PP 79	4 3/4" (121 mm)	4" (102 mm)	3 1/4" (83 mm)
3PP 76	5 21/64" (135 mm)	4 37/64" (116 mm)	3 53/64" (97 mm)
3PP 69	5 1/2" (140 mm)	4 3/4" (121 mm)	4" (102 mm)
3PP 81	5 13/16" (148 mm)	5 1/16" (128 mm)	4 5/16" (110 mm)
3PP 80	7 3/32" (180 mm)	6 11/32" (161 mm)	5 19/32" (142 mm)

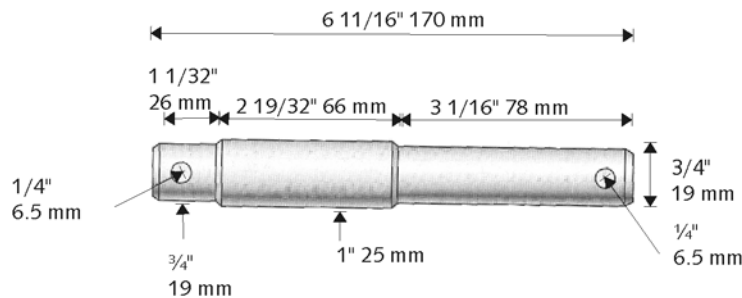
## Category 3 Top Link Pins



PART NO.

3PP 3026

## Category 1-2 Top Link Pins

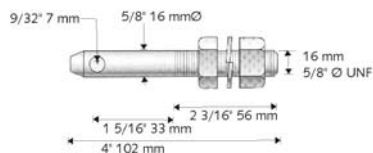


PART NO.

3PP 3234

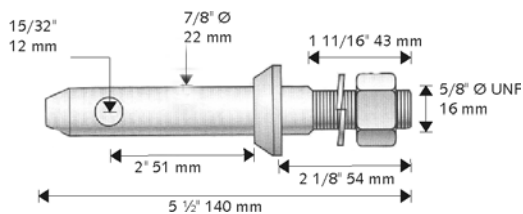
# LOWER LINK IMPLEMENT PINS

## Category 0 Implement Pins

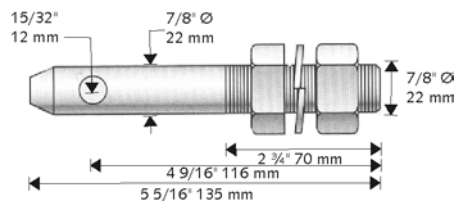


**PART NO.**  
**3PP 3137**

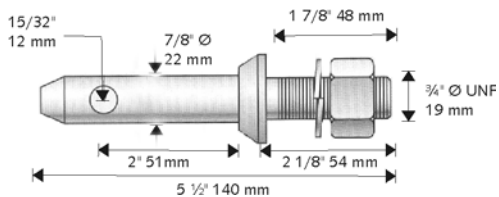
## Category 1 Implement Pins



**PART NO.**  
**3PP 199**

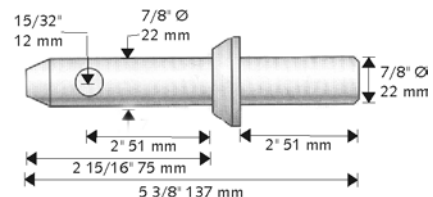


**PART NO.**  
**3PP 211**

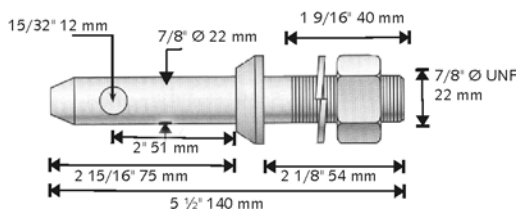


**PART NO.**  
**3PP 198**

### Weld On

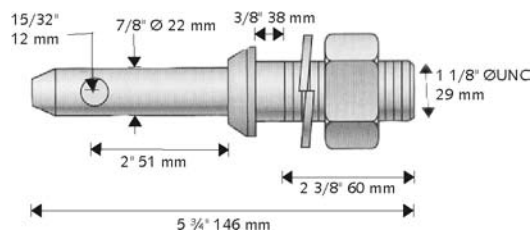


**PART NO.**  
**3PP 505**



**PART NO.**  
**3PP 200**

### Heavy Duty

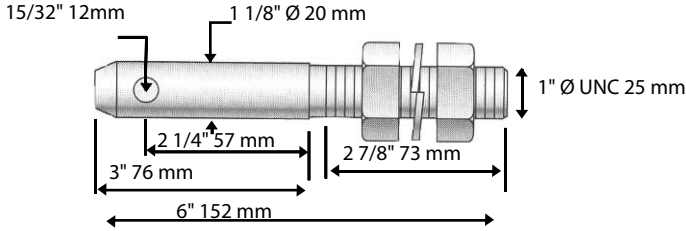


**PART NO.**  
**3PP 5188**

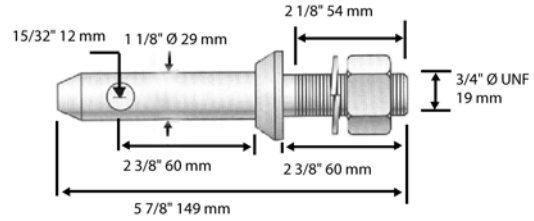


# LOWER LINK IMPLEMENT PINS

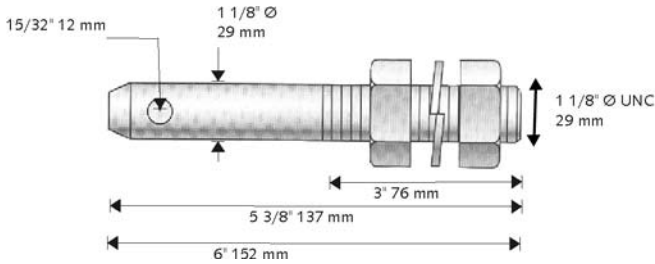
## Category 2 Lower Link Implement Pins



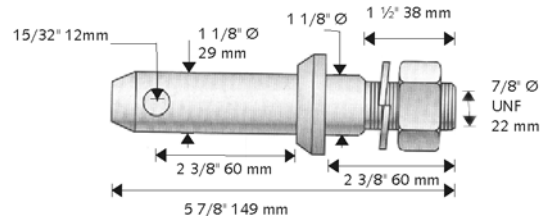
PART NO.  
3PP 507



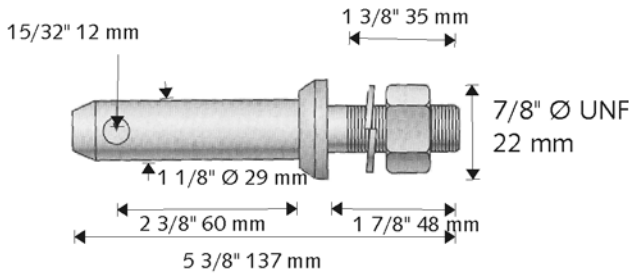
PART NO.  
3PP 197



PART NO.  
3PP 212

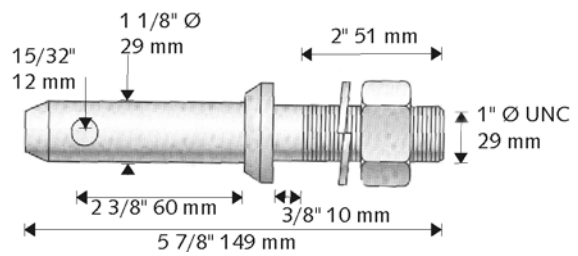


PART NO.  
3PP 203



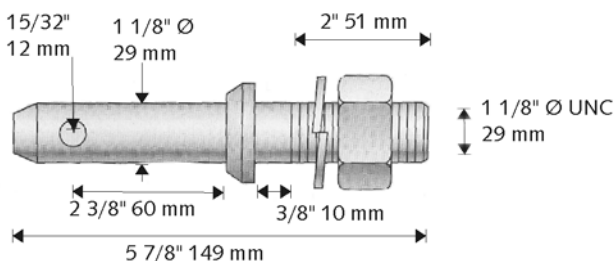
PART NO.  
3PP 202

### HEAVY DUTY

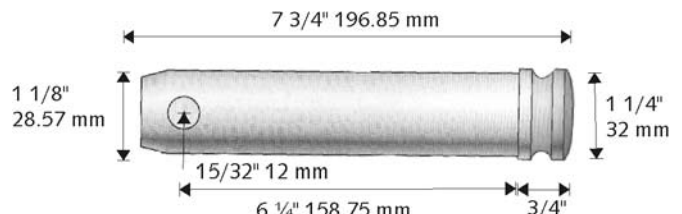


PART NO.  
3PP 5191

### HEAVY DUTY



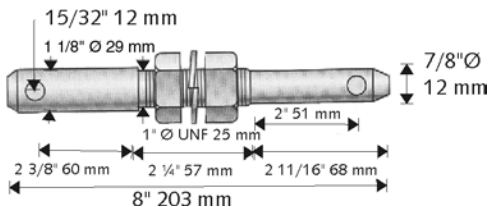
PART NO.  
3PP 5189



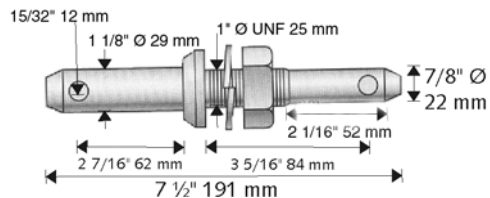
PART NO.  
3PP 112

**LOWER LINK IMPLEMENT PINS**

**Category 1/2 Implement Pins**

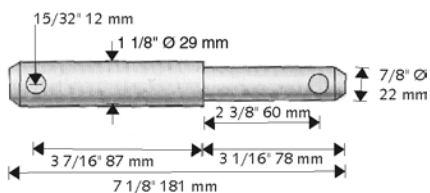


**PART NO.**  
3PP 205



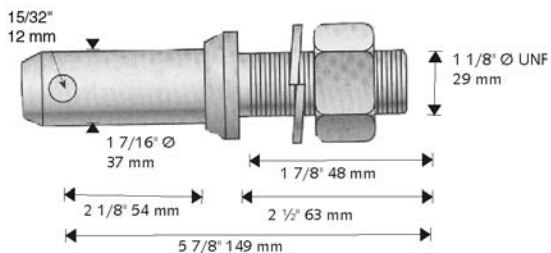
**PART NO.**  
3PP 213

**WELD ON**



**PART NO.**  
3PP 214

**Category 3 Implement Pins**

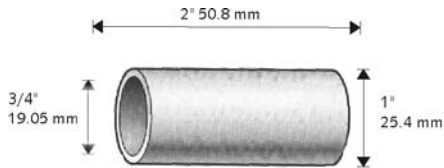


**PART NO.**  
3PP 3005

# 3 POINT LINKAGE BUSHINGS

## Top Linkage Conversion Bushings

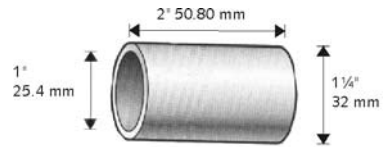
**Cat 1 to Cat 2**



PART NO.

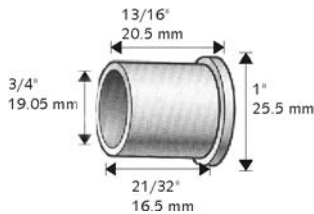
3PP 353

**Cat 2 to Cat 3**



PART NO.

3PP 3008

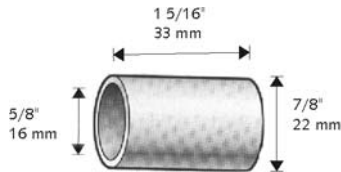


PART NO.

3PP 354

## Lower Linkage Conversion Bushings

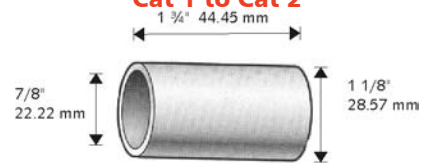
**Cat 0 to Cat 1**



PART NO.

3PP 352

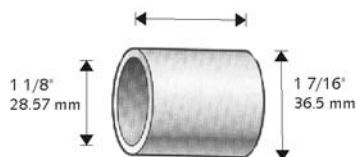
**Cat 1 to Cat 2**



PART NO.

3PP 351

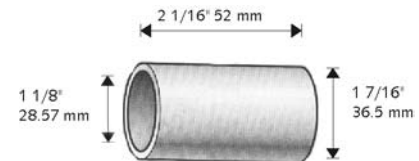
**Cat 2 to Cat 3**



PART NO.

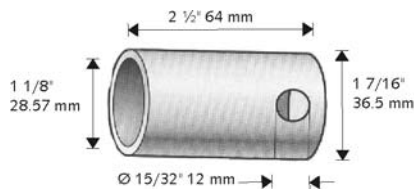
3PP 3009

**Cat 1 to Cat 2**



PART NO.

3PP 529

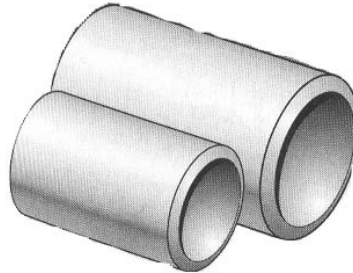


PART NO.

3PP 3010

## 3 POINT LINKAGE BUSHINGS

### Linkage Bushing Sets



**PART NO.**  
3PP 2262

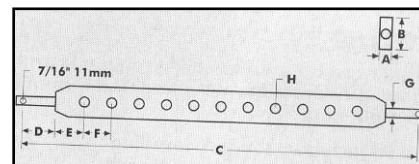
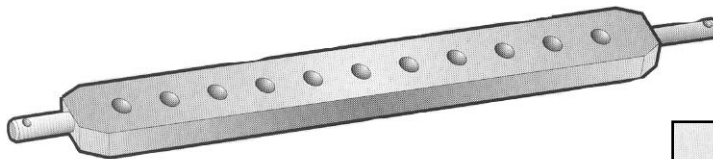
Consists of two 3PP 351 and one 3PP 353.

**PART NO.**  
3PP 4121

Consists of two 3PP 529 and one 3PP 3008.

## 3 POINT DRAWBARS

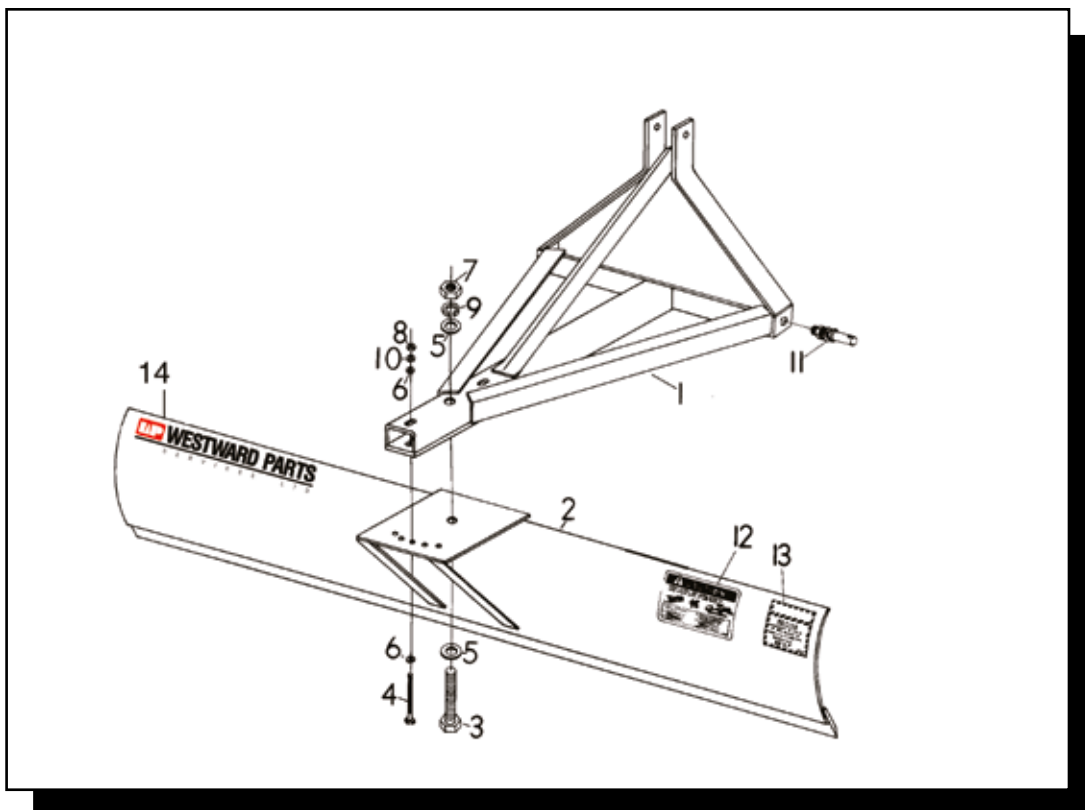
PART NO.	CAT.	A	B	C	D	E	F	G	H	No. of Holes
3PP 125	1	1 <sup>3</sup> / <sub>16</sub> " (30 mm)	2 <sup>1</sup> / <sub>2</sub> " (63 mm)	30 <sup>5</sup> / <sub>8</sub> " (765 mm)	2 <sup>1</sup> / <sub>16</sub> " (52 mm)	2 <sup>3</sup> / <sub>8</sub> " (60 mm)	2 <sup>1</sup> / <sub>8</sub> " (54 mm)	7/ <sub>8</sub> " (22 mm)	25/ <sub>32</sub> " (20 mm)	11
3PP 126	2	1 <sup>3</sup> / <sub>16</sub> " (30 mm)	2 <sup>1</sup> / <sub>2</sub> " (63 mm)	30 <sup>3</sup> / <sub>4</sub> " (781 mm)	2 <sup>3</sup> / <sub>8</sub> " (60 mm)	3 <sup>3</sup> / <sub>8</sub> " (60 mm)	2 <sup>1</sup> / <sub>8</sub> " (54 mm)	1 <sup>1</sup> / <sub>8</sub> " (28.5 mm)	25/ <sub>32</sub> " (20 mm)	11
3PP 15134	2	1 <sup>3</sup> / <sub>16</sub> " (30 mm)	3 <sup>1</sup> / <sub>8</sub> " (80 mm)	36 <sup>1</sup> / <sub>4</sub> " (920 mm)	2" (50 mm)	3 <sup>3</sup> / <sub>64</sub> " (90 mm)	3 <sup>1</sup> / <sub>8</sub> " (80 mm)	1 <sup>1</sup> / <sub>8</sub> " (28.5 mm)	1 <sup>19</sup> / <sub>64</sub> " (33 mm)	9



## WESTWARD 3PT. BLADE- REPLACEMENT PARTS

### PARTS TO FIT GMR 148/160/172

REF. NO.	PART NO.	DESCRIPTION	NO. REQ'D
1	GMP 148160F	3 pt. mount frame	
2	GMP 148M	4 ft. moldboard weldment	
2	GMP 160M	5 ft. moldboard weldment	
2	GMP 172M	6 ft. moldboard weldment	
3	BLT 516450	Bolt 1" x 4½" hex head	1
4	BLT 508350	Bolt ½" x 3 ½" hex head	1
5	BLT FW1	Washer 1" flat	2
6	BLT FW1/2-1	Washer ½" flat	2
7	BLT FN1	Nut 1" hex	1
8	BLT FN1/2	Nut ½" hex	1
9	BLT LW1	Washer 1" springlock	1
10	BLT LW1/2	Washer ½" springlock	1
11	3PP 200	Cat. '1' forged drawpin	2
12	GMP 330101	Decal-Caution	1
13	GMP 740101	Decal - Warranty notice (H.P. rating) 100 series	1
14	GMP 940102	Westward Decal	1

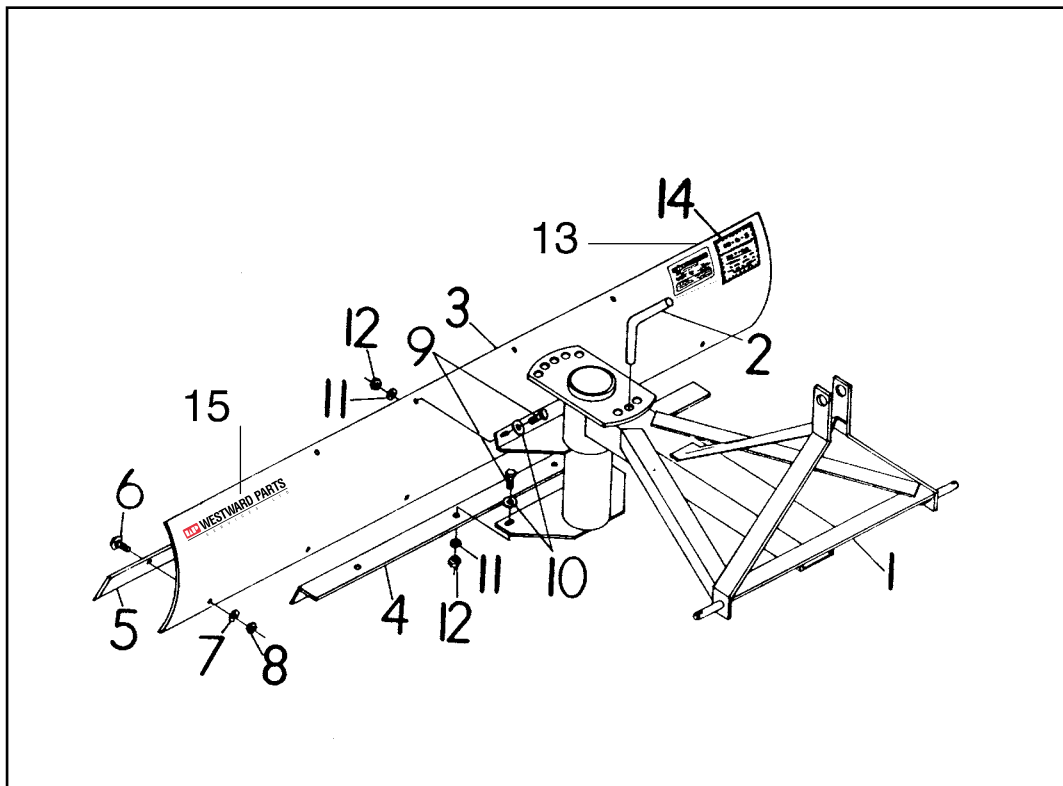


**NOTE: Any bolts, washers, nuts, etc. may be sourced locally**

**WESTWARD 3PT. BLADE - REPLACEMENT PARTS**

**PARTS TO FIT GMR 272/284**

REF. NO.	PART NO.	DESCRIPTION	NO. REQ'D
1	GMP 272284F	3 pt. mount	
2	GMP 320023	Shift pin	
3	GMP 272M	Moldboard - 272	
3	GMP 284M	Moldboard - 284	
4	GMP 272BS	Blade Stiffener - 272	
4	GMP 284BS	Blade Stiffener - 284	
5	GMP CE72	Cutting edge - 272	1
5	GMP CE84	Cutting edge -284	1
6	BLT 1201	#3 plow head bolt 1/2" x 2"	
9	BLT 508150	Bolt, 1/2" x 1-1/2" hex head	4
10	BLT FW1/2-1	Washer 1/2" flat	
11	BLT LW1/2	Washer 1/2" springlock	
12	BLT FN1/2	Nut, 1/2" full hex	4
13	GMP 330101	Caution decal	1
14	GMP 840101	Rear warranty notice (h.p. rating) - 200 series	1
15	GMP 940102	Westward decal	1

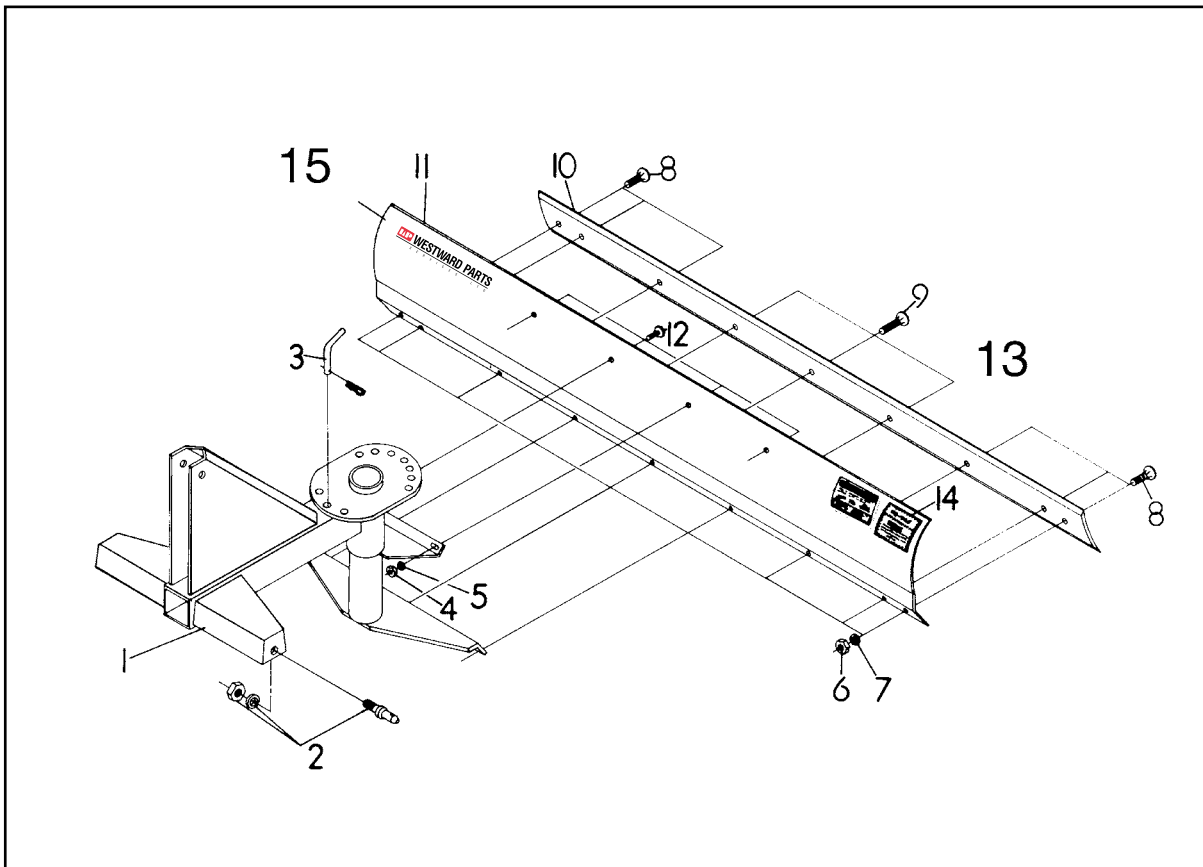


**NOTE: Any bolts, washers, nuts, etc. may be sourced locally**

## WESTWARD 3 PT. BLADE REPLACEMENT PARTS

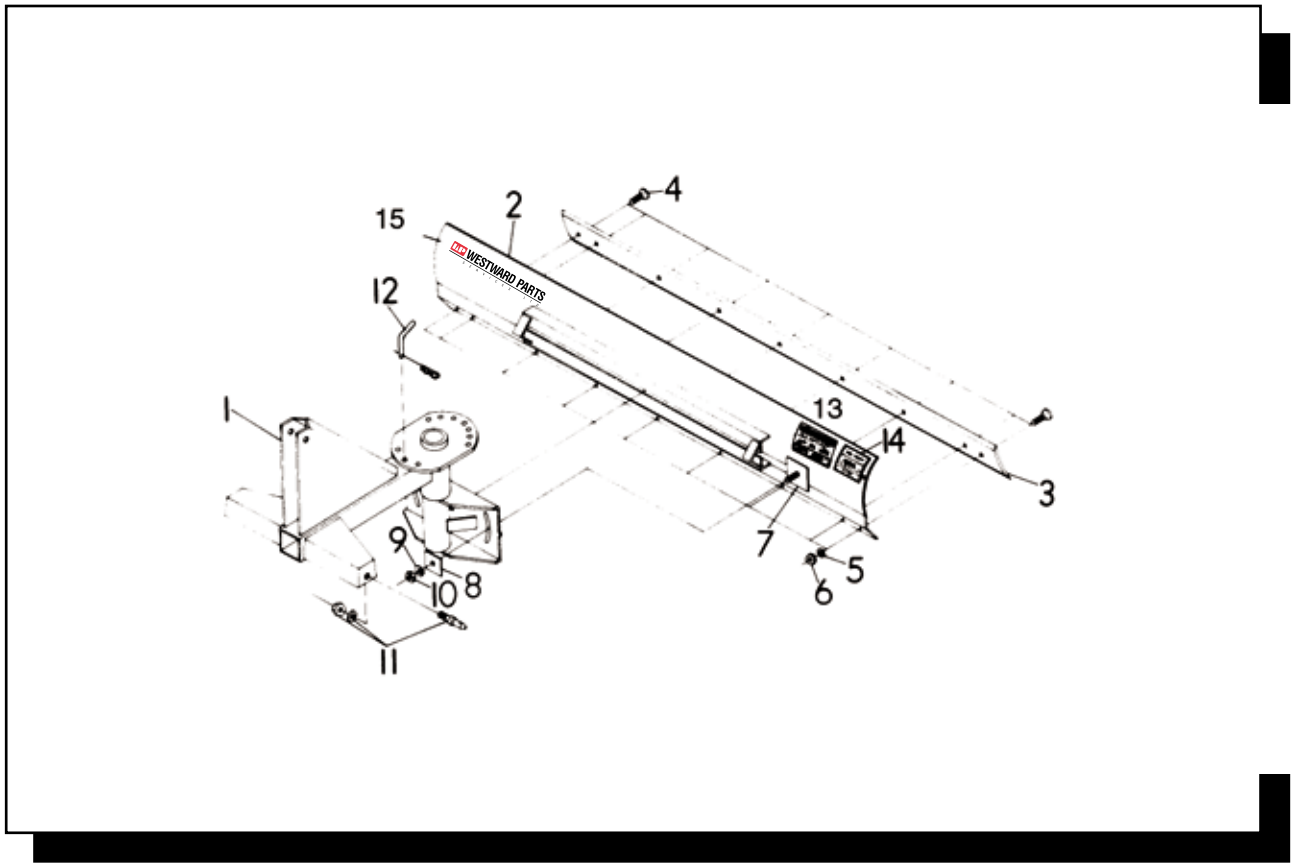
### PARTS TO FIT GMR 384

REF. NO.	PART NO.	DESCRIPTION	NO. REQ'D
1	GMP 3845	3 pt. mount frame	
2	3PP 200	Cat. '1' lowerlink pin	2
3	GMP 030053	Adjustment pin	1
4	BLT FN1/2	Full hex nut 1/2"	11
5	BLT LW1/2	Spring lockwasher 1/2"	11
8	BLT 1201	No. 2 plow head bolt 1/2" x 2	9
10	GMP CE84	7 ft. cutting edge	1
11	GMP 384M	7 ft. moldboard	1
12	BLT 508150	Hex head bolt 1/2" x 1 1/2"	2
13	GMP 330101	Decal-caution, safe operating practices	1
14	GMP 940101	Decal-warranty notice (HP rating) 300 series	1
15	GMP 940102	Westward Decal	1



**NOTE: Any bolts, washers, nuts, etc. may be sourced locally**

**WESTWARD 3 PT. BLADE REPLACEMENT PARTS**



**REPAIR PARTS FOR 384T BLADE**

REF. NO.	PART NO.	DESCRIPTION	NO. REQ'D
1	GMP 384F	Mount frame	1
2	GMP 384M	Moldboard	1
3	GMP CE84	Cutting edge	1
4	BLT 1201	Plow bolt 1/2" x 2"	9
5	BLT LW1/2	Lockwasher 1/2"	9
6	BLT FN1/2	Nut 1/2"	9
7	GMP 018643	Tilt adjustment bolt	2
8	GMP 218643	Tie plate	2
9	BLT LW3/4	Lockwasher 3/4"	2
10	BLT FN3/4	Nut 3/4"	2
11	3PP 200	Lift pin	2
13	GMP 330101	Decal - caution, safe operating practices	1
14	GMP 940101	Decal - warranty notice (HP rating) 300 series	1
15	GMP 94102	Westward Decal	1

**REPAIR PARTS FOR 396T BLADE**

REF. NO.	PART NO.	DESCRIPTION	NO. REQ'D
1	GMP 396F	Mount frame	1
2	GMP 396M	Moldboard	1
3	GMP CE96	Cutting edge	1
4	BLT 1201	Plow bolt 1/2" x 2"	10
5	BLT LW1/2	Lockwasher 1/2"	10
6	BLT FN1/2	Nut 1/2"	10
7	GMP 018643	Tilt adjustment bolt	2
8	GMP 218643	Tie plate	2
9	BLT LW3/4	Lockwasher 3/4"	2
10	BLT FN3/4	Nut 3/4"	2
11	3PP 200	Lift pin	2
13	GMP 330101	Decal - caution, safe operating practices	1
14	GMP 940101	Decal - warranty notice (HP rating) 300 series	1
15	GMP 94102	Westward Decal	1

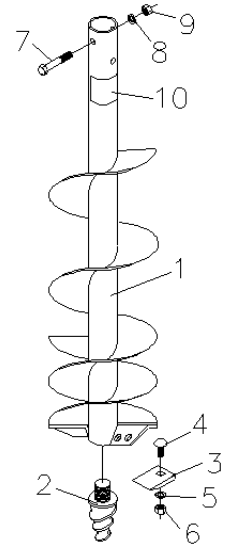
**NOTE: Any bolts, washers, nuts, etc. may be sourced locally**



## POST HOLE DIGGER REPLACEMENT PARTS

### Standard Duty Auger Parts

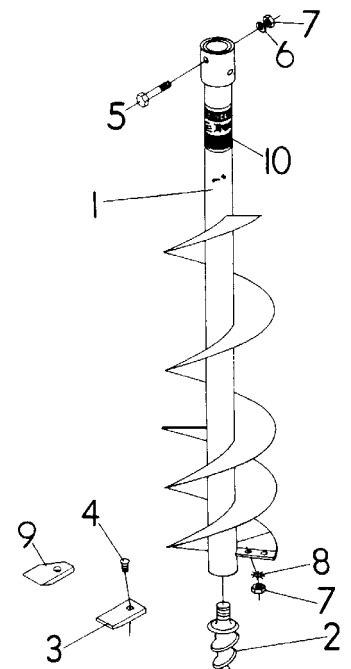
REF. NO.	PART NO.	DESCRIPTION	NO. REQ'D
1	GMR 170710 GMR 170720	9" dia. Std. Auger, complete 12" dia. Std. Auger, complete	Opt.
2	GMR 170802	Auger Point - Screw Type Fish Tail	1
3	GMP 706021	Red Claw Digger Teeth	Var.
4	GMP 2503166	Bolt, 1/2" - 13 NC x 1 1/4" Carriage Head	Var.
5	GMP 2503012	Bolt, 1/2" - 13NC x 3" Hex Head	2
6	GMP 2502002	Washer, 1/2" Spring Lock	2
7	GMP 2500003	Nut, 1/2" -13 NC Full Hex	Var.
8	GMP 2502003	Washer, 1/2" External Star Lock	Var.
10	GMP 101131	Decal- Danger	1



**WORKSAVER**

### Heavy Duty Single Flight Auger Parts

REF. NO.	PART NO.	DESCRIPTION	NO. REQ'D
1	GMR 706150 GMR 706109 GMR 706112 GMR 706033	6" HD Single Flight Auger, Complete 9" HD Single Flight Auger, Complete 12" HD Single Flight Auger, Complete 14" HD Single Flight Auger, Complete	Opt.
2	GMR 170802	Auger Point - Screw Type Fish Tail	1
3	GMP 706021	Red Claw Digger Teeth (Not for 6" auger)	Var.
4	GMP 2503166	Bolt, 1/2" - 13 NC x 1 1/4" Carriage Head	Var.
5	GMP 2503109	Bolt, 1/2" - 13 NC x 3 1/2" Hex Head	2
6	GMP 2502002	Washer, 1/2" SpringLock	2
7	GMP 2500003	Nut, 1 1/2" -13 NC Full Hex	Var.
8	GMP 2502003	1 1/2" External Star Lockwasher	Var.
9	GMP 171903*	Auger Cutting Edge (6" only)	2
10	GMP 101131	Decal - Danger	1
NS	GMP 2503178*	Bolt, 3/8"- 16 NC Carriage Head (6" only)	2
NS	GMP 2502014*	3/8" External Star Lockwasher (6" only)	2
NS	GMP 2500004*	Nut, 3/8"-16 NC Full Hex (6" only)	2



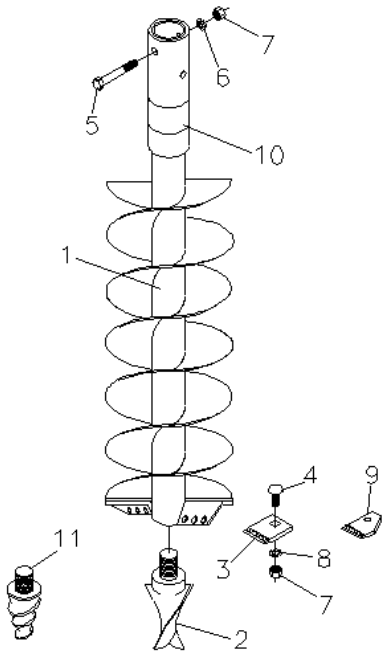
Note: \* Old Style 6" Augers (prior to June 2000) - New 6" Augers use Red Claw Digger Tooth (Item #3)

NOTE: Any bolts, washers, nuts, etc. may be sourced locally

**WORKSAVER**

**POST HOLE DIGGER REPLACEMENT PARTS**

**Heavy Duty Double Flight Auger Parts**



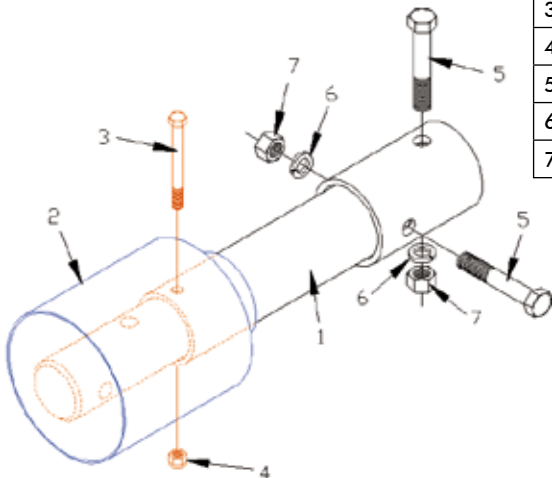
REF. NO.	PART NO.	DESCRIPTION	NO. REQ'D
1	GMR 706155 GMR 706009 GMR 706012 GMR 706037 GMR 706070 GMR 706075 GMR 709045	6" HD Double Flight Auger, Complete 9" HD Double Flight Auger, Complete 12" HD Double Flight Auger, Complete 14" HD Double Flight Auger, Complete 18" HD Flight Auger, Complete 24" HD Flight Auger, Complete 30" HD Flight Auger, Complete	
2	GMR 170802	Auger Point - Screw Type Fish Tail	1
3	GMP 706021	Red Claw Digger Teeth (Not for 6" auger)	Var.
4	GMP 2503166	Bolt, 1/2" - 13 NC x 1 1/4" Carriage Head	Var.
5	GMP 2503109	Bolt, 1/2" -13 NC x 3 1/2" Hex Head	2
6	GMP 2502002	Washer, 1/2" Springlock	2
7	GMP 2500003	Nut, 1/2" - 13 NC Full Hex	Var.
8	GMP 2502003	1/2" External Star Lockwasher	Var.
9	GMP 171903*	Auger Cutting Edge (6" only)	2
10	GMP 101131	Decal - Danger	1
NS	GMP 2503178*	Bolt, 3/8"- 16 NC Carriage Head (6" only)	2
NS	GMP 2502014*	3/8" External Star Lockwasher (6" only)	2
NS	GMP 2500004*	Nut, 3/8" - 16 NC Full Hex (6" only)	2



**WORKSAVER**

Note: \* Old Style 6" Augers (prior to June 2000) - New 6" Augers use Red Claw Digger Tooth (Item #3)

**12" Auger Extension Parts**

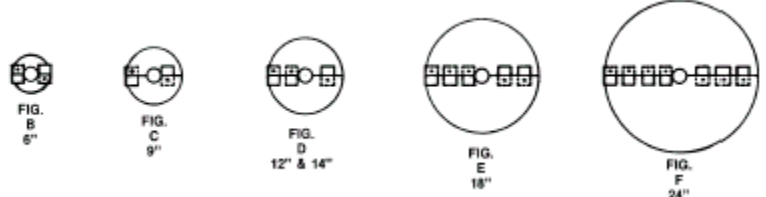


REF. NO.	PART NO.	DESCRIPTION	NO. REQ'D
1	GMR 170705	12" Ext. Weldment	1
2	GMP 170706	Guard Assembly Weldment	1
3	GMP 2503114	Bolt, 5/16" -18NC x 3" Hex Head Gr. 2	1
4	GMP 2500046	Nut, 5/16" -18NC Nylock Hex	1
5	GMP 2503012	Bolt, 1/2" -13NC x 3" Hex Head Gr. 2	2
6	GMP 2502002	Washer, 1/2" Springlock	2
7	GMP 2500003	Nut, 1/2" -13NC Full Hex	2

Note: Shield (ref #2) is to be slipped over shaft before (ref #3 & 4) bolt & nut are applied.

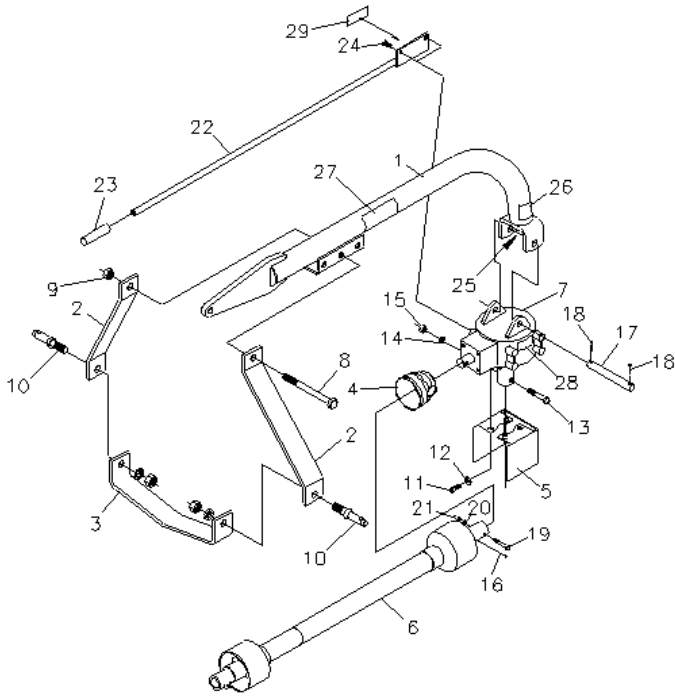
NOTE: Any bolts, washers, nuts, etc. may be sourced locally

**AUGER TEETH MOUNTING PATTERNS**



# POST HOLE DIGGER REPLACEMENT PARTS

## Model 300 Parts




**WORKSAVER**

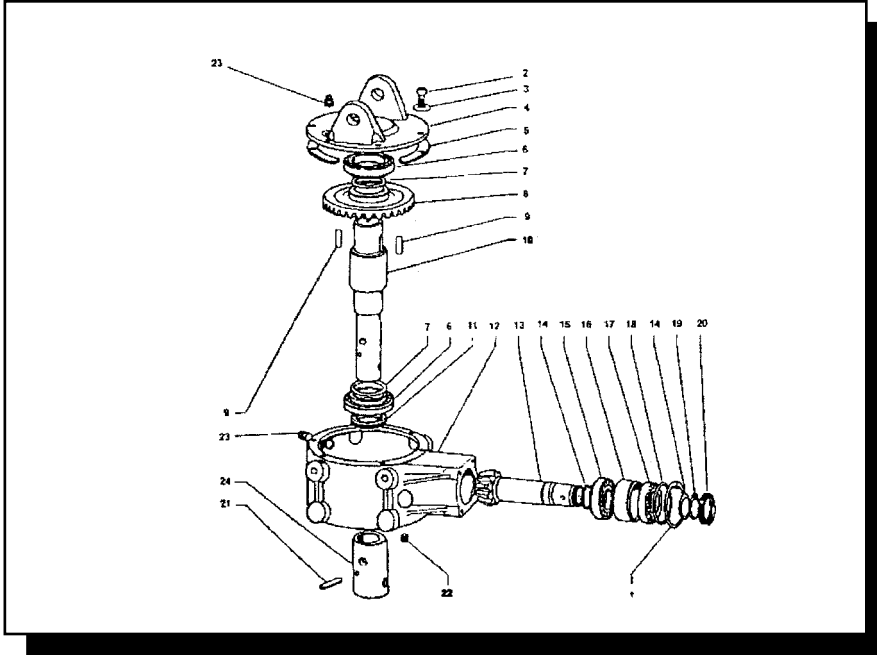
REF. NO.	PART NO.	DESCRIPTION	NO. REQ'D
1	GMP 170551	Boom Weldment	1
2	GMP 170557	Side Bar	2
3	GMP 170558	Lower Bar	1
4	GMP 170995	Input Guard	1
5	GMP 170916	Output Shield	1
6	GMP 3814011	(Old Style Metric Series I Driveline) PTO Shaft Complete Tractor end utilize push-button arrangement	1
	GMP 170970	(New Style Metric Series II Driveline) PTO Shaft Complete. Tractor end utilize slip-collar arrangement	1
7	GMP 170930	GMP 170901 Gearbox (Comer) and GMP 170995 Input Guard	1
8	GMP 2503068	Hex Head Bolt 3/4" -10UNC x 5 1/2"	1
9	GMP 2500037	Nylock Hex Nut 3/4" -10UNC	1
10	GMP 590108	AK-578 Draw Pin	2
11	GMP 2503123	Hex Head Bolt M8 x 12MM	4
12	GMP 2501012	Medium Flat Washer 5/16"	4
13	GMP 2503012	Hex Head Bolt, 1/2" -13UNC x 3"	2
14	GMP 2502002	Washer, 1/2" Springlock	2
15	GMP 2500003	Nut, 1/2" -13UNC	2
16	GMP 2504011	Roll Pin, 3/16" x 1 1/4"	1
17	GMP 3814014	Pin, Gearbox Hitch	1
18	GMP 2504121	Cotter Pin 3/16" x 1 1/2"	2
19	GMP 2503098	Bolt, 5/16" -18NC x 2 1/2" Hex Head	1
20	GMP 2502011	Washer, 5/16" Springlock	1
21	GMP 2500011	Nut, 5/16" -18NC Full Hex	1
22	GMP 170555	Handle Weldment	1
23	GMP 3814013	Handle Grip	1
24	GMP 2503030	Bolt, 3/8" -16NC x 3/4" Hex Head	2
25	GMP 101015	Decal - Instructions	1
26	GMP 101130	Safety Sign (Danger-Rot. Parts)	1
27	GMP 101032	Safety Sign Danger (PH Digger)	1
28	GMP 101188	Safety Sign-Gearbox Notice	1
29	GMP 101200	Safety Sign-Notice (Handle)	1

**NOTE: See Next 2 Pages for Gearbox and PTO Shaft Breakdowns**

**NOTE: Any bolts, washers, nuts, etc. may be sourced locally**

**POST HOLE DIGGER REPLACEMENT PARTS**

**Model 300 & 500 Gearbox Parts**



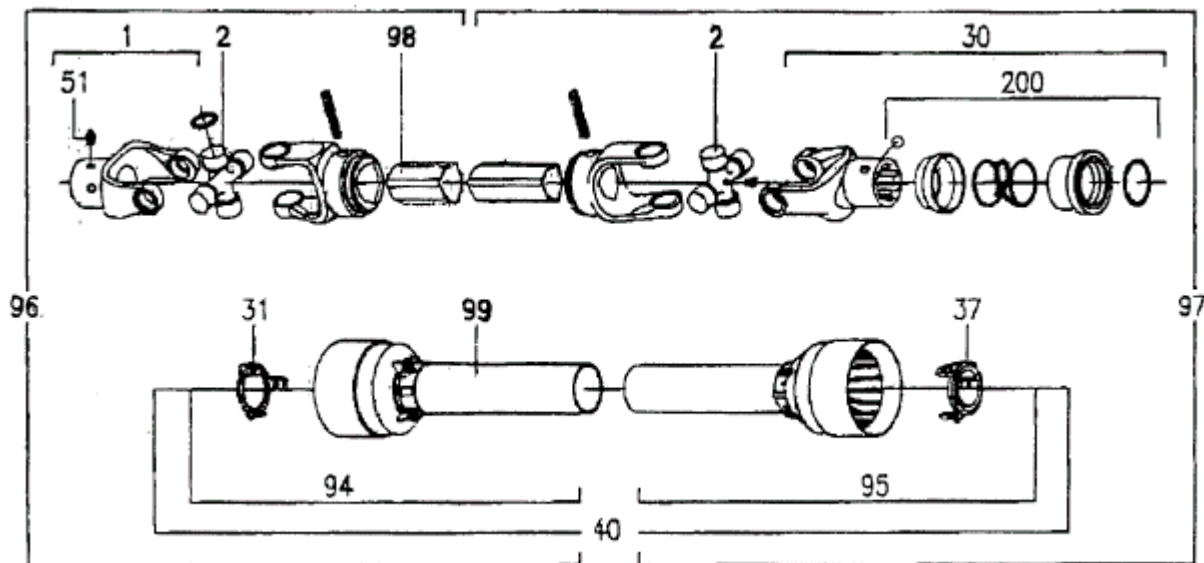
REF. NO.	PART NO.	DESCRIPTION	NO. REQ'D
1	GMP 171001	Internal Circlip 72	1
2	GMP 171002	Spring Washer	6
3	GMP 171003	Cap Screw M 8 x 22	6
4	GMP 171004	Cover	1
5	GMP 171005	Gasket	1
6	GMP 171006	Bearing 30208	2
7	GMP 171007	Shim	2
8	GMP 171008	Output Gear 230M.5	1
9	GMP 171009	Key 10 x 8 x 30	2
10	GMP 171010	Shaft (Output)	1
11	GMP 171011	Oil Seal 40 x 62 x 7 (Output)	1
12	GMP 171012	Casing	1
13	GMP 171013	Pinion Z 10 M5	1
14	GMP 171014	Thickness	2
15	GMP 171015	Bearing 30207	1
16	GMP 171016	Spacer Ring	1
17	GMP 171017	Bearing 6207	1
18	GMP 171018	Shim	1
19	GMP 171019	Outside Circlip 35	1
20	GMP 171020	Oil Seal 35 x 72 x 10 (Input)	1
21	GMP 171021	Spring Pin 8 x 12	1
22	GMP 171022	Oil Drain Plug	1
23	GMP 171023	Oil Plug	2
24	GMP 171024	Bushing	1

**NOTE: Any bolts, washers, nuts, etc. may be sourced locally**

## POST HOLE DIGGER REPLACEMENT PARTS

### Model 300 & 500 PTO Shaft Parts

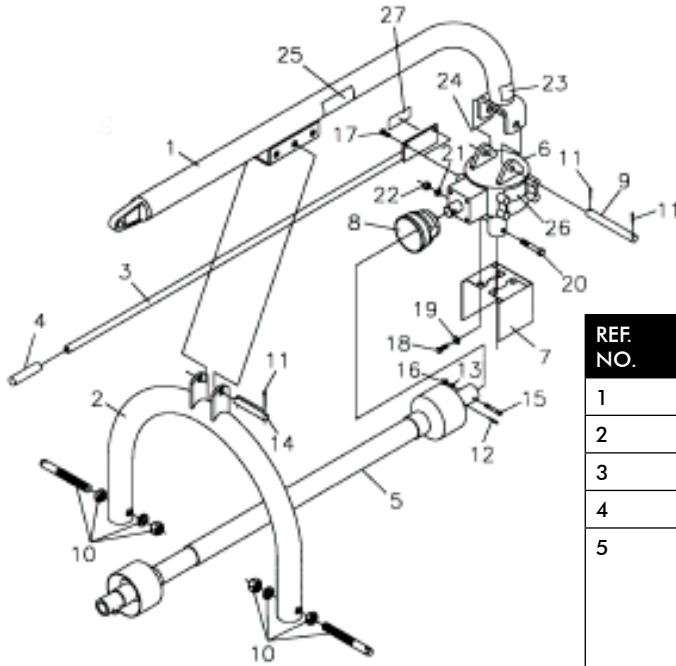
REF. NO.	PART NO.	DESCRIPTION	NO. REQ'D
1	GMP 170970	PTO Shaft Complete	1
2	GMP 170971	Yoke 1¼" Dia. (Smooth Bore) Imp. End w/zerk	1
30	GMP 170973	Complete Collar Yoke C12	1
31	GMP 170974	Guard Retaining Collar for Outer Tube	1
37	GMP 170975	Guard Retaining Collar for Inner Tube	1
40	GMP 170976	Complete Guard w/Instruction Manual	1
51	GMP 170977	Grease Zerk M8 x 1	1
94	GMP 170978	Plastic Shield Assembly (Implement End)	1
95	GMP 170979	Plastic Shield Assembly (Tractor End)	1
96	GMP 170980	½ PTO (Implement End)	1
97	GMP 170981	½ PTO (Tractor End)	1
98	GMP 650726	"DANGER" Label for Outer Tube	1
99	GMP 650727	"DANGER" Label for Outer Guard Tube	1
200	GMP 170982	Slide Collar Kit 1 3/8"	1

**NOTE: Any bolts, washers, nuts, etc. may be sourced locally**

**POST HOLE DIGGER REPLACEMENT PARTS**

**Model 500 Parts**



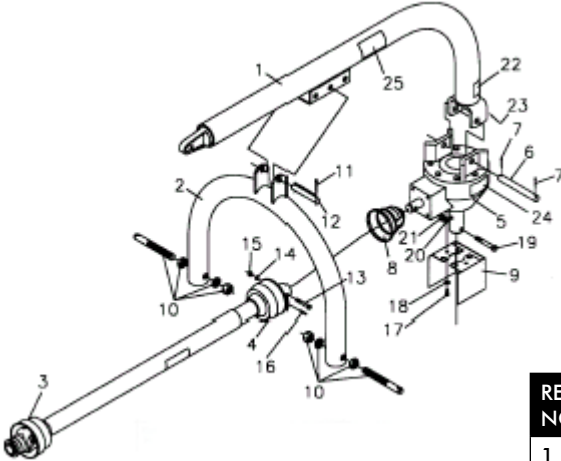
REF. NO.	PART NO.	DESCRIPTION	NO. REQ'D
1	GMP 3814002	Boom Weldment	1
2	GMP 3814007	Yoke Weldment	1
3	GMP 170905	Handle Weldment	1
4	GMP 3814013	Handle Grip	1
5	GMP 170970	(new Style Metric Series II Drive-line) PTO Shaft Complete. Tractor end utilize slip-collar arrangement	1
	GMP 3814011	(Old Style Metric Series I DriveLine) PTO Shaft Complete Tractor end utilize push-button arrangement	1
6	GMP 170930	170901 Gearbox (Comer) Assembly w/170995 Input Guard	1
7	GMP 170916	Gearbox Output Shield	1
8	GMP 170918	Gearbox Input Shield	1
9	GMP 3814014	Gearbox Hitch Pin	1
10	GMP 590071	Lift Pin w/Hardware (AK-479)	2
11	GMP 2504121	Cotter Pin 3/16" x 1 1/2"	4
12	GMP 2504011	Roll Pin 3/16" x 1 1/4"	1
13	GMP 2502011	Washer, 5/16" Springlock	1
14	GMP 3814019	Boom Adjustment Pin	1
15	GMP 2503098	Bolt, 5/16" -18NC x 2 1/2" Hex Head Gr. 2	1
16	GMP 2500011	Nut, 5/16" -18NC Full Hex	1
17	GMP 2503030	Bolt, 3/8" -16NC x 3/4" Hex Head Gr. 2	2
18	GMP 2503123	Bolt, M8 x 12mm Hex Head	4
19	GMP 2501006	Washer, 1/4" Flat	4
20	GMP 2503012	Bolt, 1/2" -13NC x 3" Hex Head Gr. 2	2
21	GMP 2502002	Washer, 1/2" Springlock	2
22	GMP 2500003	Nut, 1/2" -13NC Full Hex	2
23	GMP 101130	Safety Sign - Danger (Rotating Parts)	1
24	GMP 101015	Safety Sign - PHD Instructions	1
25	GMP 101032	Safety Sign - Danger (Keep Clear)	1
26	GMP 101188	Safety Sign - Gearbox Notice	1
27	GMP 101200	Safety Sign- Notice (Handle)	1

**Note: See previous 2 pages for Gearbox and PTO Shaft breakdowns.**

**NOTE: Any bolts, washers, nuts, etc. may be sourced locally**

# POST HOLE DIGGER REPLACEMENT PARTS

## Model 720 Parts



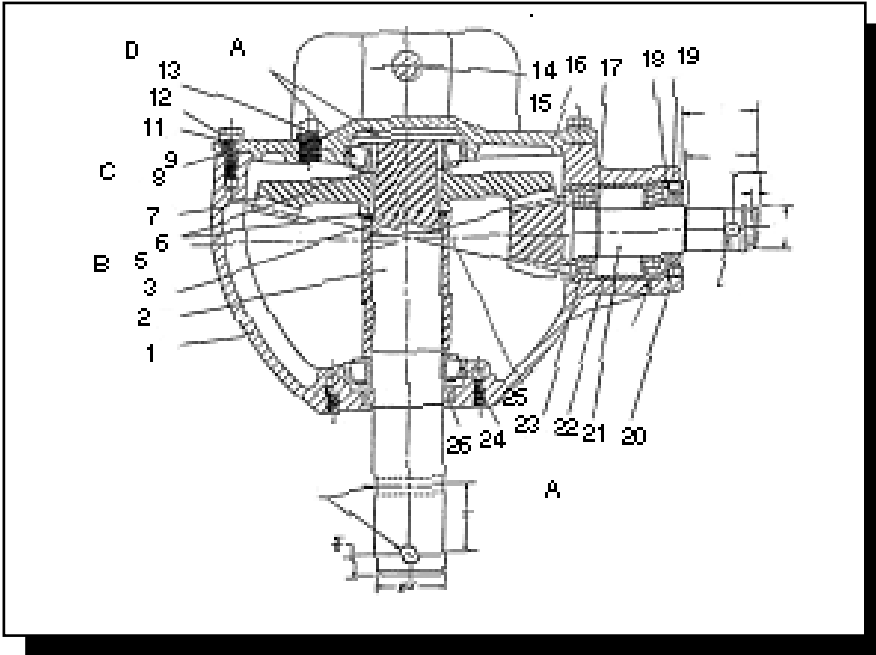
REF. NO.	PART NO.	DESCRIPTION	NO. REQ'D
1	GMP 705001	Boom Weldment	1
2	GMP 3814007	Yoke Weldment	1
	GMP 706050	PTO Shaft, Complete (Weasler) Items #3 & #4	1
3	GMP 706051	PTO Half (Tractor End)	1
4	GMP 706052	PTO Half (Implement End)	1
NS	GMP 706053	W Kit (U-Joint Repair Kit)	Var.
	GMP 706058	Implement End Yoke	1
	GMP 706059	SpringLock Yoke Assy. (Tractor End)	1
	GMP 706061	Repair Kit - Springlock, Yoke assy.	1
	GMP 706063	Inner Shield	1
	GMP 706064	Outer Shield	1
	GMP 706068	Safety Sign (Outer Shield)	1
	GMP 706069	Safety Sign (Joint Tube)	1
5	GMP 706095	Gearbox	1
6	GMP 706096	Gearbox Pin	1
7	GMP 706097	Cotter Pin, $\frac{3}{16}$ " x 2"	2
8	GMP 706165	Shield, Gearbox Input (Plastic)	1
9	GMP 706092	Shield, Output	1
10	GMP 590071	Hitch Pin (AK-479)	2
11	GMP 2504121	Cotter Pin, $\frac{3}{16}$ " x 1 1/2"	2
12	GMP 3814019	Boom Adjustment Pin	1
13	GMP 2503039	Bolt, $\frac{3}{8}$ " -16NC x 2 1/2" Hex Head	1
14	GMP 2502008	Washer, $\frac{3}{8}$ " Springlock	1
15	GMP 2500004	Nut, $\frac{3}{8}$ " -16NC Full Hex	1
16	GMP 2504011	Roll Pin, $\frac{3}{16}$ " x 1 1/4"	1
17	GMP 2503094	Bolt, $\frac{5}{16}$ " -18NC x 3/4" Hex Head	2
18	GMP 2501012	Washer, $\frac{5}{16}$ " Flat	2
19	GMP 2503109	Bolt, $\frac{1}{2}$ " -13NC x 3 1/2" Hex Head	2
20	GMP 2502002	Washer, $\frac{1}{2}$ " Springlock	2
21	GMP 2500003	Nut, $\frac{1}{2}$ " -13NC Full Hex	2
22	GMP 101130	Decal - Danger	1
23	GMP 101015	Decal - Instructions	1
24	GMP 101188	Safety Sign - Gearbox Notice	1
25	GMP 101032	Safety Sign - Danger (Entanglement)	1

NOTE: Any bolts, washers, nuts, etc. may be sourced locally

Note: See Next Page for Gearbox Breakdown.

**POST HOLE DIGGER REPLACEMENT PARTS**

**Model 720 Gearbox Parts**



REF. NO.	PART NO.	DESCRIPTION	NO. REQ'D
1	GMP 706120	Housing	1
2	GMP 706121	Output Shaft	1
3	GMP 706122	Output Bearing Spacer	1
5	GMP 706123	Gear Adjusting Shim 0.30	Var.
6	GMP 706124	Gear Adjusting Shim 0.50	Var.
7	GMP 706125	Output Gear, 38 Tooth	1
8	GMP 706126	Output Cap Gasket, 0.10	Var.
9	GMP 706127	Output Cap Gasket, 0.25	Var.
11	GMP 706128	#10 Lockwasher	8
12	GMP 706129	M10 x 1.5 x 30 Cap Screw	8
13	GMP 706130	½" Pipe Plug	2
14	GMP 706096	Hanger Shaft	1
15	GMP 706097	Cotter Pin	2
16	GMP 706131	Hanger Cap	1
17	GMP 706132	Retaining Ring	1
18	GMP 706133	Retaining Ring	1
19	GMP 706134	Seal Adapter	1
20	GMP 706135	Input Seal	1
21	GMP 706136	11 Tooth Pinion & Shaft	1
22	GMP 706137	Bearing Spacer	1
23	GMP 706138	207K Ball Bearing	2
24	GMP 706139	Bearing Assembly 7210	2
25	GMP 706140	Retaining Ring	1
26	GMP 706141	Output Seal, 70 x 50 x 12	1

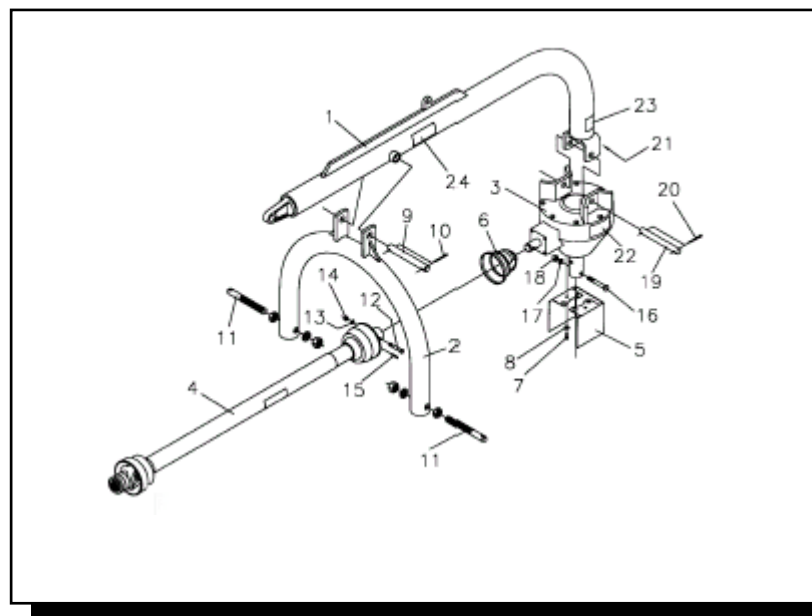
**NOTE: Any bolts, washers, nuts, etc. may be sourced locally**



# POST HOLE DIGGER REPLACEMENT PARTS

## Model 925 Parts

REF NO.	PART NO.	DESCRIPTION	NO. REQ'D
1	GMP 709541	Boom Weldment	1
2	GMP 709010	Yoke Weldment	1
3	GMP 709550	Gearbox (ITG)	1
4	GMP 706050	PTO Shaft Complete	1
5	GMP 706092	Output Shield	1
6	GMP 706165	Input Shield	1
7	GMP 2503094	Bolt, $\frac{5}{16}$ " -18NC x $\frac{3}{4}$ " Hex Head	2
8	GMP 2501012	Washer $\frac{5}{16}$ " Flat	2
9	GMP 830309	Lift Pin (Dia. 1" x 8" Lg.)	1
10	GMP 2504068	Cotter Pin $\frac{1}{4}$ " x $1\frac{3}{4}$ "	2
11	GMP 590071	Draw Pin (AK-479) w/Hardware	2
12	GMP 2503039	Bolt, $\frac{3}{8}$ " -16NC x 2 $\frac{1}{2}$ " Hex Head	1
13	GMP 2502008	Washer $\frac{3}{8}$ " Springlock	1
14	GMP 2500004	Nut, $\frac{3}{8}$ " -16NC Full Hex	1
15	GMP 2504011	Roll Pin, $\frac{3}{16}$ " x 1 $\frac{1}{4}$ "	1
16	GMP 2503109	Bolt, $\frac{1}{2}$ " -13NC x $3\frac{1}{2}$ " Hex Head	2
17	GMP 2502002	Washer, $\frac{1}{2}$ " Springlock	2
18	GMP 2500003	Nut, $\frac{1}{2}$ -13NC Full Hex	2
19	GMP 706096	Hanger Shaft	1
20	GMP 706097	Cotter Pin, $\frac{3}{16}$ " x 2"	1
21	GMP 101015	Safety Sign - Instruction	1
22	GMP 101188	Safety Sign - Gearbox Notice	1
23	GMP 101130	Safety Sign - Danger (Rotating Parts)	1
24	GMP 101032	Safety Sign - Danger (Entanglement)	1

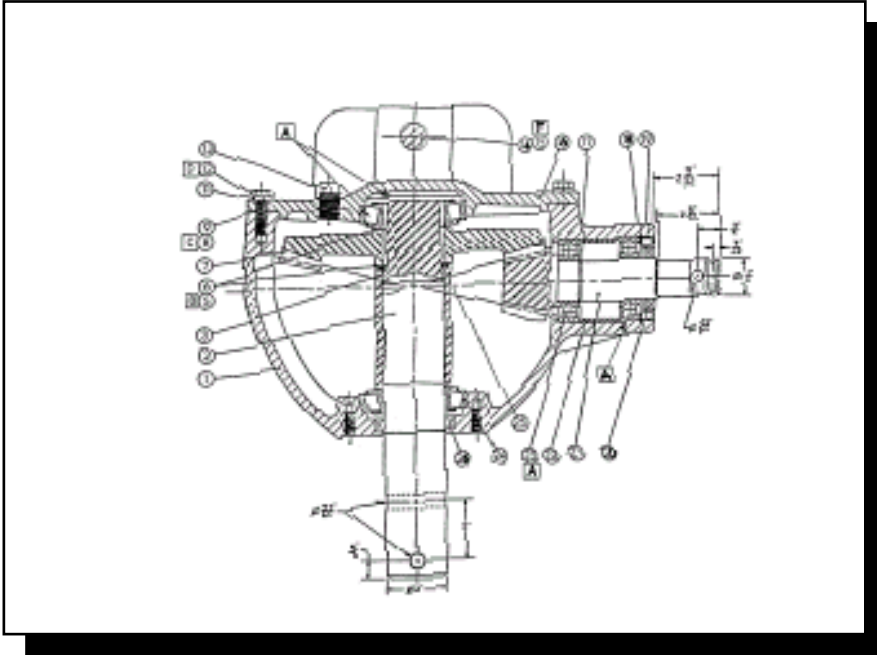



**Note: See Next 2 Pages for Gearbox and PTO Shaft Breakdown.**

**NOTE: Any bolts, washers, nuts, etc. may be sourced locally**

**POST HOLE DIGGER REPLACEMENT PARTS**

**Model 925 Gearbox Parts**

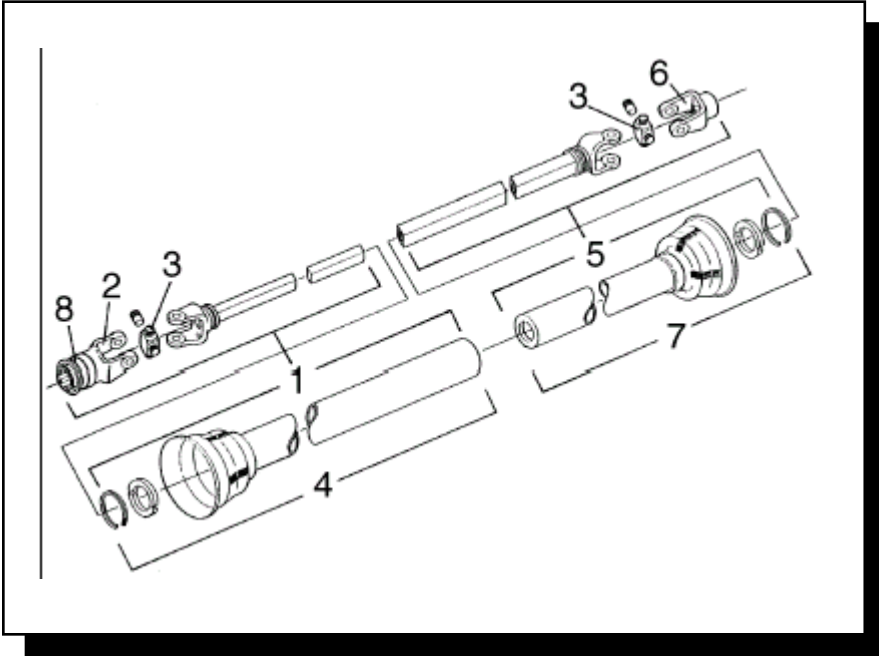


REF. NO.	PART NO.	Description	NO. REQ'D
1	GMP 706142	Housing	1
2	GMP 706143	Output Shaft	1
3	GMP 706144	Output Bearing Spacer	1
5	GMP 706123	Gear Adjusting Shom, 0.30	Var.
6	GMP 706124	Gear Adjusting Shim, 0.50	Var.
7	GMP 706145	Output Gear, 44 Tooth	1
8	GMP 706146	Output Cap Gasket, 0.10	Var.
9	GMP 706147	Output Cap Gasket, 02.5	Var.
11	GMP 706128	#10 Lockwasher	8
12	GMP 706129	M10 x 1.5 x 30 Cap Screw	8
13	GMP 706130	1/2" Pipe Plug	2
14	GMP 706096	Hanger Shaft	1
15	GMP 706097	Cotter Pin	2
16	GMP 706148	Hanger Cap	1
17	GMP 706132	Retaining Ring	1
18	GMP 706133	Retaining Ring	1
19	GMP 706134	Seal Adapter	1
20	GMP 706135	Input Seal	1
21	GMP 706149	11 Tooth Pinion & Shaft	1
22	GMP 706137	Bearing Spacer	1
23	GMP 706138	207K Ball Bearing	2
24	GMP 706139	Bearing Assembly 7210	2
25	GMP 706140	Retaining Ring	1
26	GMP 706141	Output Seal, 70 x 50 x 12	1

**NOTE: Any bolts, washers, nuts, etc. may be sourced locally**

## POST HOLE DIGGER REPLACEMENT PARTS

Model 925 PTO Shaft




**WORKSAVER**

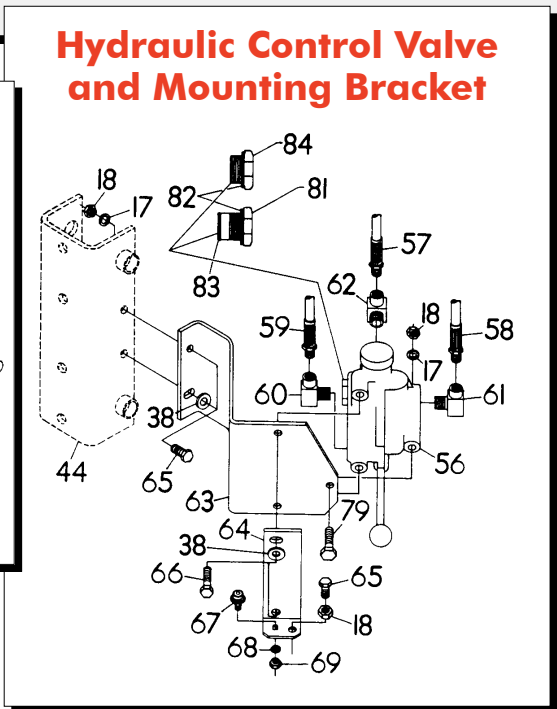
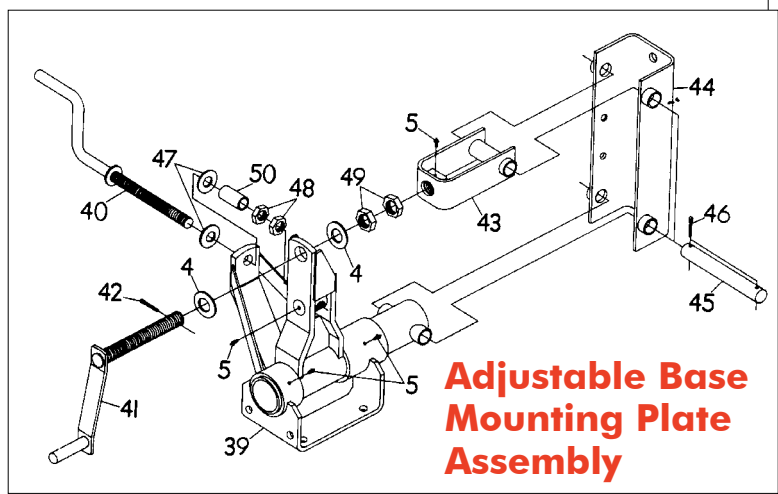
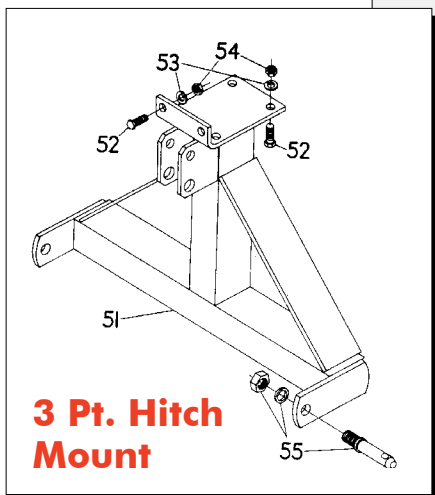
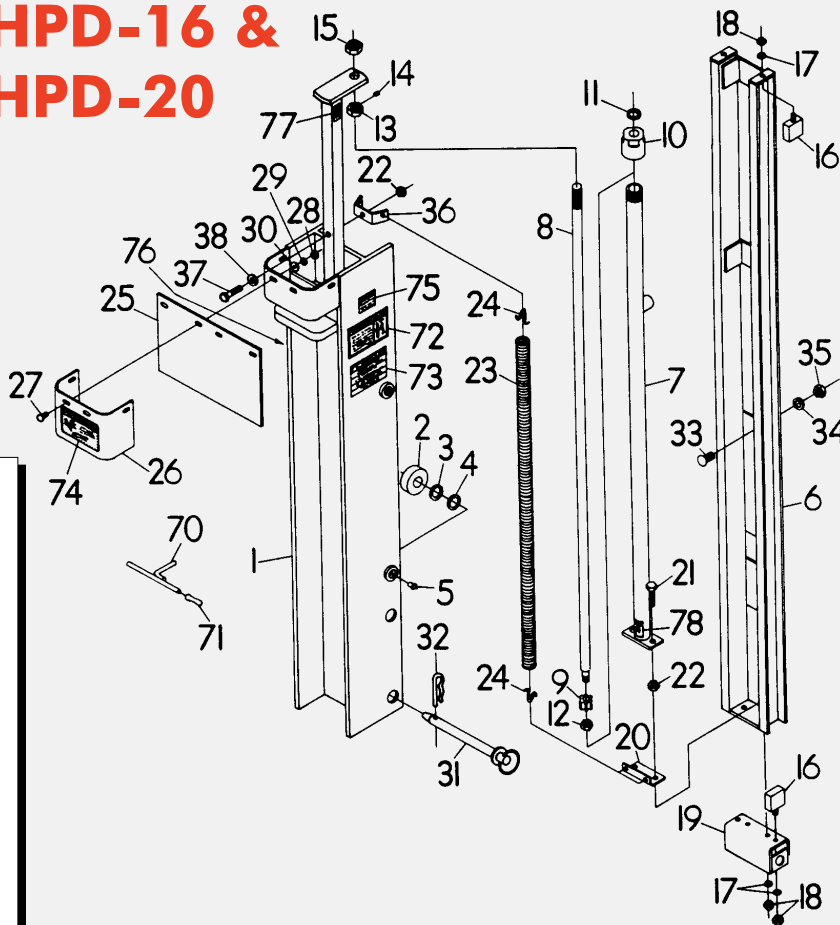
REF. NO.	PART NO.	DESCRIPTION	NO. REQ'D
1	GMP 706051	1/2 PTO (Tractor End)	1
2	GMP 706059	Spring-Lock Yoke Assembly (Tractor End)	1
3	GMP 706053	W Cross & Bearing Kit	2
4	GMP 706064	Outer Guard (Tractor End)	1
5	GMP 706052	1/2 PTO (Implement End)	1
6	GMP 706058	Shear Bolt Yoke Assembly (Implement End)	1
7	GMP 706063	Inner Guard (Implement End)	1
8	GMP 706061	Spring-Lock Repair Kit	1

**NOTE: Any bolts, washers, nuts, etc. may be sourced locally**

**POST POUNDER REPLACEMENT PARTS**



**HPD-16 & HPD-20**



See next page for Parts List

NOTE: Any bolts, washers, nuts, etc. may be sourced locally

# POST POUNDER REPLACEMENT PARTS

## HPD-16 & HPD-20 Parts List



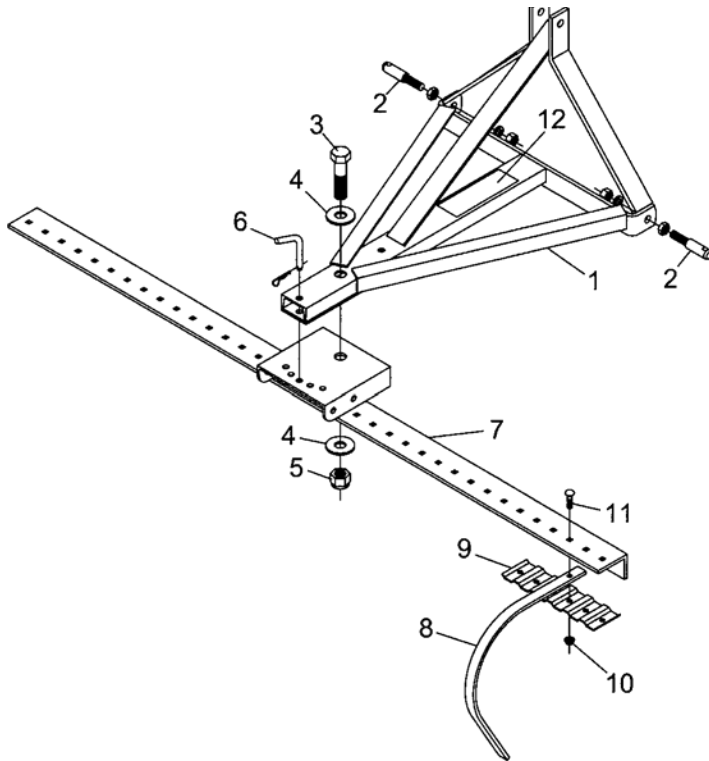
ITEM	PART NO.	DESCRIPTION	QTY REQUIRED	
			HPD-16	HPD-20
1	GMP 814401	Driving Ram (HPD-16)	1	
1	GMP 814502	Driving Ram (HPD-20)		1
2	GMP 814410	Roller, Ram	4	8
3		Machinery Bushing 18 ga. 1" I.D.	Var.	Var.
4		Machinery Bushing 14 ga. 1" I.D.	Var.	Var.
5		Grease Zerk 5/16 Drive	8	12
6	GMP 814411	Carriage Weldment	1	
6	GMP 814510	Carriage Weldment		1
7	GMP 814417	Tube, Hyd. Cylinder (HPD-16)	1	
7	GMP 814517	Tube, Hyd. Cylinder (HPD-20)		1
8	GMP 814421	Rod, Hyd. Cylinder (HPD-16)	1	
8	GMP 814520	Rod, Hyd. Cylinder (HPD-20)		1
9	GMP 814422	Rod Guide, Hyd. Cylinder	1	1
10	GMP 814495	End Cap w/Rod Seal	1	
10	GMP 814538	End Cap w/Rod Seal		1
11	GMP 814424	Rod Seal (only)	1	
11	GMP 814523	Rod Seal (only)		1
12		Nut 1/2"-13NC Stamplock Hex	1	3
13	GMP 814425	Nut 3/4"-10 NC (Drilled & Tapped)	1	
13	GMP 814524	Nut 1"-14 NF (Drilled & Tapped)		1
14		Set Screw 1/4"-20 NC x 1/4"	1	1
15		Nut 3/4"-10NC Nylock Hex	1	
15		Nut 1"-14NF Nylock Hex		1
16	GMP 814426	Bumper, Urethane	4	4
17		Washer 3/8" Springlock	11	9
18		Nut 3/8"-16NC Full Hex	12	10
19	GMP 814427	Bracket, Transport Lock (HPD-16)	1	
19	GMP 814525	Bracket, Transport Lock (HPD-20)		1
20	GMP 814430	Bracket, Lower Spring (HPS-16)	1	
20	GMP 814527	Bracket, Lower Spring (HPD-20)		1
21		Bolt 3/8"-16NC x 2" Hex Head Grade 8 Full Thread	2	
21		Bolt 1/2"-13NC x 2 1/2" Hex Head Grade 8 Full Thread		2
22		Nut 3/8"-16NC Stamplock Hex	3	
22	GMP 814532	Damper, Spring (Urethane)		1
23	GMP 814431	Spring, Driving Ram (HPD-16)	2	
23	GMP 814530	Spring, Driving Ram (HPD-20)		2
24	GMP 814432	Clip, Spring (HPD-16)	4	
24	GMP 814531	Clip, Spring (HPD-20)		4
25	GMP 814433	Rubber Guard	1	
25	GMP 814533	Rubber Guard		1
26	GMP 814434	Guard Retainer	1	
26	GMP 814534	Guard Retainer		1
27		Bolt, 5/16"-18NC x 1" Carriage Head	4	4
28		Nut 5/16"-18NC Full Hex	4	4
29		Washer 5/16" Springlock	4	4
30		Washer 5/16" Flat	4	4
31	GMP 814488	Pin, Transport Lock (HPD-16)	1	
31	GMP 814536	Pin, Transport Lock (HPD-20)		1
32	GMP 590188	Hair Clip Pin 5/32" (AK-2705)	1	1
33		Bolt 5/8"-11NC x 1 1/2" Carriage Head	4	4
34		Washer 5/8" Springlock	4	4
35		Nut 3/4"-11NC Full Hex	4	4

NOTE: Any bolts, washers, nuts, etc. may be sourced locally

ITEM	PART NO.	DESCRIPTION	QTY REQUIRED	
			HPD-16	HPD-20
36	GMP 814408	Bracket, Spring Anchor (Top)	1	1
37		Bolt 3/8"-16NC x 2 1/2" Hex Head Grade 5	2	1
38		Washer 3/8" Flat	3	3
39	GMP 814438	Pivot Weldment	1	1
40	GMP 814450	Crank, Side Tilt 3/4"	1	1
41	GMP 814453	Crank, Front/Back Tilt 1"	1	1
42		Cotter Pin 1/4" x 1 1/2"	1	1
43	GMP 814457	Clevis Weldment	1	1
44	GMP 814460	Support Channel	1	1
45	GMP 830309	Support Pin	2	2
46		Cotter Pin 1/4" x 1 3/4"	4	4
47		Machinery Bushing 14 ga. 3/4" I.D.	2	2
48		Nut 3/4"-10NC Hex Jam	2	2
49		Nut 1"-8NC Hex Jam	2	2
50	GMP 590027	Bushing Cat. II to I (AK-54)	1	1
51	GMP 814465	Frame, 3Pt. Mount	1	1
52		Bolt, 1/2"-13NC x 1 1/2" Hex Head Grade 5	6	6
53		Washer 1/2" Springlock	6	8
54		Nut 1/2"-13NC Full Hex	6	8
55	GMP 590078	Pull Pin (AK-2118)	2	2
56	GMP 814473	Valve, Hydraulic	1	1
57		Hose, Cylinder 3/4" I.D. x 24" Dbl. Braid	1	1
58		Hose, Pressure 1/2" I.D. x 60" Dbl. Braid	1	1
59		Hose, Return 3/4" I.D. x 96" Single Braid	1	
59		Hose, Return 1" I.D. x 96" Single Braid		1
60		Elbow, Street 3/4" NPT 90°	1	1
61		Elbow, Street 1/2" to 3/4" NPT 90°	1	1
62		Elbow, Street 1/2" NPT 90°	1	1
63	GMP 814474	Bracket, Valve Mount	1	1
64	GMP 814475	Stop, Valve Handle	1	1
65		Bolt 3/8"-16NC x 1 1/4" Hex Head	3	3
66		Bolt 3/8"-16NC x 3" Hex Head Grade 5	2	3
67	GMP 814489	Level Assembly	1	1
68		Washer 1/4" Springlock	1	1
69		Nut 1/4"-20NC Full Hex	1	1
70	GMP 814476	Post Holder with Handle	1	1
71	GMP 2504129	Handle, Post Holder	1	1
72	GMP 101056	Decal - Safety Instructions	1	1
73	GMP 101057	Decal - Warning (Set Brake Securely)	1	1
74	GMP 101058	Decal - Warning (Avoid Serious Injury)	1	1
75	GMP 101078	Decal - Caution (Safety Glasses)	1	1
76	GMP 101027	Decal - Warning (Stand Clear)	1	1
77	GMP 101079	Decal - Notice (1/2 Turn Loose)	1	1
78	GMP 101080	Decal - Notice (1/2 Turn Loose)	1	1
79		Bolt 3/8"-16NC x 2 1/2" Hex Head Grade 5	1	1
80		Nut 3/8"-16NC Stamplock Hex		1
81	GMP 2504135	Kit, Closed-Center Plug (contains items #82 & #83)	1	1
82	GMP 2504136	Seal, Hyd. Valve Plug	1	1
83	GMP 2504137	Seal, quad	1	1
84	GMP 2504138	Kit, Open-Center Plug (contains item #82)	1	1
84	GMP 2504138	Kit, Open-Center Plug (contains item #C82)		1
n/s	GMP 814478	Complete Cylinder	1	-

# LANDSCAPE RAKE REPLACEMENT PARTS

## DCR-4 & DCR-5 Parts List

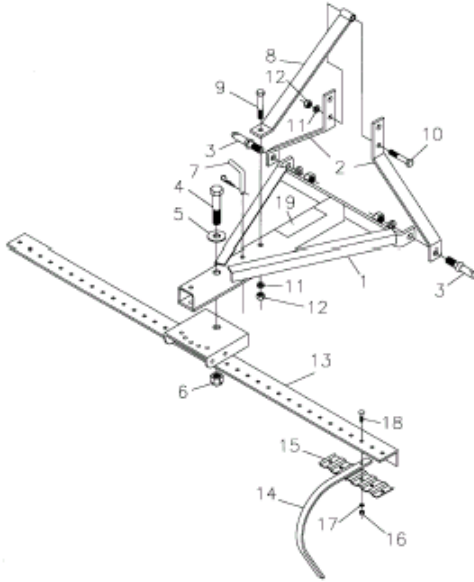


REF. NO.	PART NO.	DESCRIPTION	NO. REQ'D
1	GMP 345101	3 Pt. Mount Frame Weldment	1
2	GMP 341701 GMP 341711	4 FT. Tinebar Weldment (DC-5 Ft.) 5 Ft. Tinebar Weldment (DC -5 Ft.)	1 1
3	GMP 341704	Rake Tooth (DC-4) Rake Tooth (DC-5)	24 30
4	GMP 341705	Tooth Support (DC-4) Tooth Support (DC-5)	4 5
5	GMP 2503103	Bolt, 3/8" -16NC x 1 1/2" Carriage Head (DC-4) Bolt, 3/8" -16NC x 1 1/2" Carriage Head (DC-5)	24 30
6	GMP 2500081	Whiz-Lok Nut, 3/8" (DC-4) Whiz-Lok Nut, 3/8" (DC-5)	24 30
7	GMP 590167	Cat. I Drawpin (AK-482)	2
8	GMP 2501001	Washer, 1" flat	1
9	GMP 2500045	Nut, 1" -8NC Nylock Hex	1
10	GMP 2503226	Bolt, 1" -8NC x 4" Hex Head	1
11	GMP 341857	Shift Pin, w/Hair Clip Pin	1
12	GMP 101148	Safety Sign - Caution	1

**NOTE: Any bolts, washers, nuts, etc. may be sourced locally**

# LANDSCAPE RAKE

## MCR-6 & MCR-7 Parts List



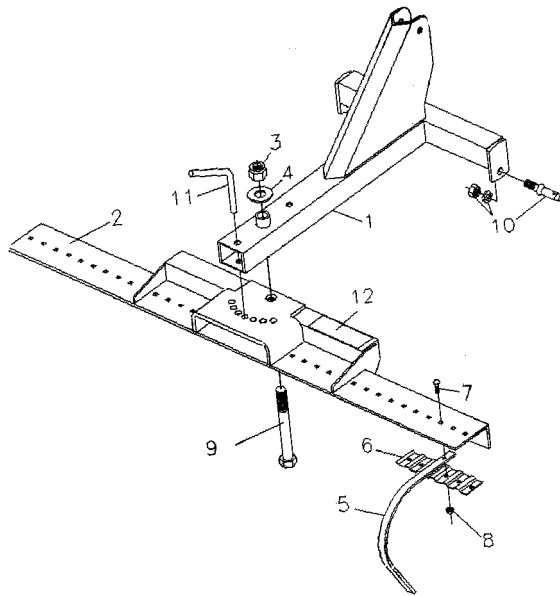
**WORKSAVER**

Ref. No.	PART NO.	DESCRIPTION	NO. REQ'D
1	GMP 345140	3 Pt. Mount Frame Weldment	1
2	GMP 345147	Toplink Side Bar	2
3	GMP 590108	Draw Pin (AK-578)	2
4	GMP 2503028	Bolt, 1" -8NC x 5" Hex Head	1
5	GMP 2501001	Washer, 1" Flat	1
6	GMP 2500045	Nut, 1" -8NC Hex Nylock	1
7	GMP 341857	Shift Pin, (1/2" x 3 1/4")	1
8	GMP 345145	Brace, Toplink	1
9	GMP 2503066	Bolt, 5/8" - 11NC x 4" Hex Head	1
10	GMP 2503049	Bolt, 5/8" - 11NC x 3 1/2" Hex Head	1
11	GMP 2502007	Washer, 5/8" Spring Lock	2
12	GMP 2500013	Nut, 5/8" - 11NC Full Hex	2
13	GMP 341901 GMP 341907	Tinebar Weldment (MCR-6) Tinebar Weldment (MCR-7)	1 1
14	GMP 341704	Rake Tooth (MCR-6) Rake Tooth (MCR-7)	36 42
15	GMP 341705	Tooth Support (MCR-6) Tooth Support (MCR-7)	6 7
16	GMP 2500081	Whiz-Lok Nut, 3/8" (MCR-6) Whiz-Lok Nut, 3/8" (MCR-7)	36 42
17	GMP 2503103	Bolt, 3/8" - 16NC x 1 1/2" Carriage Head (MCR-6) Bolt, 3/8" - 16NC x 1 1/2" Carriage Head (MCR-7)	36 42
18	GMP 101148	Safety Sign - Caution	1

**NOTE: Any bolts, washers, nuts, etc. may be sourced locally**

**LANDSCAPE RAKE**

**ULR-6, ULR-7 & ULR-8 Parts List**



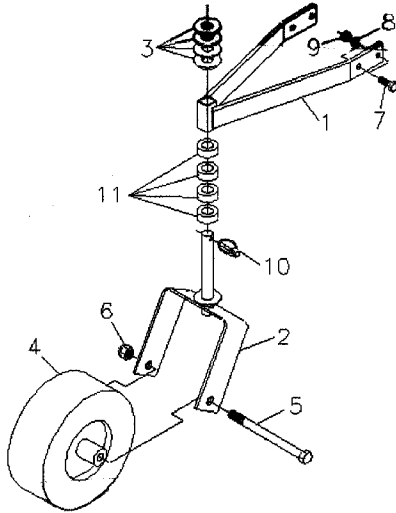
REF. NO.	PART NO.	DESCRIPTION	NO. REQ'D
1	GMP 341860	3 Pt. Mount Frame Weldment	1
2	GMP 341736	6 Ft. Tinebar Weldment (ULR-6Ft.)	1
	GMP 341742	7 Ft. Tinebar Weldment (ULR-7 Ft.)	1
	GMP 341751	8 Ft. Tinebar Weldment (ULR-8 Ft.)	1
3	GMP 2500053	Nut, 1 1/4 7NC Nylock Hex	1
4	GMP 2501010	Washer, 1 1/4" Flat	1
5	GMP 341704	Rake Tooth (ULR-6) Rake Tooth (ULR-7) Rake Tooth (ULR-8)	36 42 48
6	GMP 341705	Tooth Support (ULR-6) Tooth Support (ULR-7) Tooth Support (ULR-8)	6 7 8
7	GMP 2503103	Bolt, 3/8" -16NC x 1 1/2" Carriage Head (ULR-6) Bolt, 3/8" -16NC x 1 1/2" Carriage Head (ULR-7) Bolt, 3/8" -16NC x 1 1/2" Carriage Head (ULR-8)	36 42 48
8	GMP 2500081	Whiz-Lok Nut, 3/8" (ULR-6) Whiz-Lok Nut, 3/8" (ULR-7) Whiz-Lok Nut, 3/8" (ULR-8)	36 42 48
9	GMP 2503261	Bolt, 1 1/4" -7NC x 10" Hex Head Gr.5	1
10	GMP 590108	Cat. I Drawpin (AK-578)	2
11	GMP 350030	Adjustment Pin	1
12	GMP 101148	Safety Sign - Caution	1

**NOTE: Any bolts, washers, nuts, etc. may be sourced locally**



# LANDSCAPE RAKE

## SGW-10 Gauge Wheel Parts List

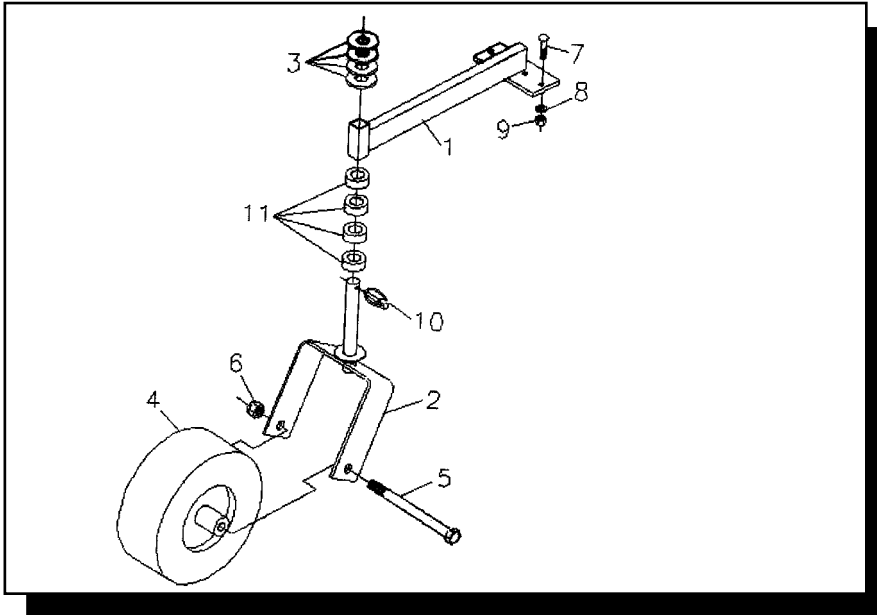


  
**WORKSAVER**

REF. NO.	PART NO.	DESCRIPTION	NO. REQ'D
1	GMP 341786	Wheel Support Arm	1
2	GMP 341779	Wheel Mount	1
3	GMP 2501001	Washer, 1" Flat	4
4	GMP 341772	Wheel Assembly (13.00 x 5.00)	1
5	GMP 2503188	Bolt, 3/4" -10NC x 9 1/2" Hex Head	1
6	GMP 2500037	Nut, 3/4" -10NC Hex Nylock	1
7	GMP 2503004	Bolt, 1/2" -13NC x 1 1/2" Hex Head	4
8	GMP 2502002	Washer, 1/2" Spring Lock	4
9	GMP 2500003	Nut, 1/2" -13NC Full Hex	4
10	GMP 590034	Linch Pin, 1/4" (AK-61)	1
11	GMP 650974	Bushing, Height Adjustment	4

# LANDSCAPE RAKE

## DGW-20 Dual Gauge Wheel Parts List



REF. NO.	PART NO.	DESCRIPTION	NO. REQ'D
1	GMP 341778	Wheel Support Arm	2
2	GMP 341779	Wheel Mount	2
3	GMP 2501001	Washer, 1" Flat	8
4	GMP 341772	Wheel Assembly (13.00 x 5.00)	2
5	GMP 2503188	Bolt, 3/4" -10NC x 9 1/2" Hex Head	2
6	GMP 2500037	Nut, 3/4" 10NC Hex Nylock	2
7	GMP 2503189	Bolt, 3/4" 16NC x 2" Carriage Head	8
8	GMP 2502008	Washer, 3/8" Spring Lock	8
9	GMP 2500004	Nut, 3/8" -13NC Full Hex	8
10	GMP 590034	Linch Pin, 1/4" (AK-61)	2
11	GMP 650974	Bushing, Height Adjustment	8

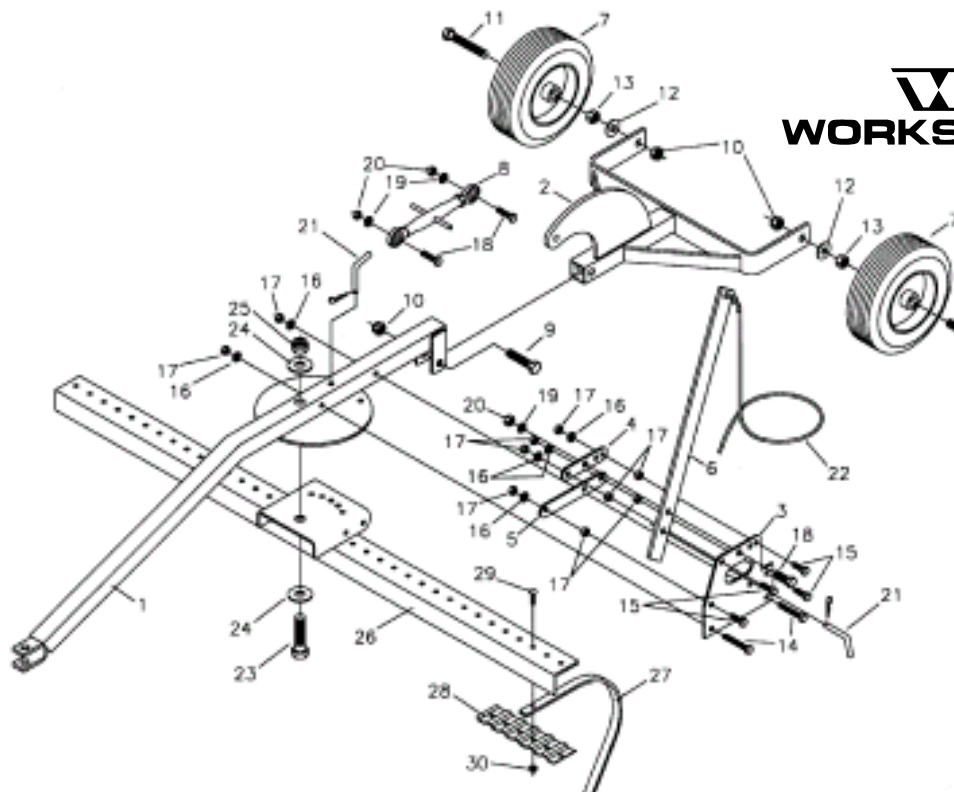
**NOTE: Any bolts, washers, nuts, etc. may be sourced locally**

## LANDSCAPE RAKES - REPLACEMENT PARTS

### PLR-48, PLR-60 & PLR-72 Parts List

REF. NO.	PART NO.	DESCRIPTION	NO. REQ'D
1	GMP 341921	Beam Hitch Weldment	1
2	GMP 341930	Wheel Pivot Weldment	1
3	GMP 341926	Adjustment Plate	1
4	GMP 341927	Upper Leveling Arm Bracket	1
5	GMP 341928	Lower Leveling Arm Bracket	1
6	GMP 341929	Leveling Arm	1
7	GMP 341935	Wheel Assembly	2
8	GMP 590125	Top Link, AK-300, Category 0	1
9	GMP 2503024	Bolt, 3/4" -10NC x 3 1/2" Hex Head	1
10	GMP 2500075	Nut, 3/4" -10NC Nylock Hex Jam	3
11	GMP 2503033	Bolt, 3/4" -10NC x 5" Hex Head	2
12	GMP 2501002	Washer, 3/4" Medium Flat	2
13	GMP 2500002	Nut, 3/4" -10NC Hex	2
14	GMP 2503012	Bolt, 1/2" -13NC x 3" Gr.2 Hex Head	2
15	GMP 2503004	Bolt, 1/2"-13NC x 1 1/2" Hex Head	4
16	GMP 2502002	Washer, 1/2" Springlock	6
17	GMP 2500003	Nut, 1/2" -13NC Full Hex	10
18	GMP 2503048	Bolt, 5/8" -11NC x 2" Hex Head	3
19	GMP 2502007	Washer, 5/8" Springlock	3
20	GMP 2500013	Nut, 5/8" -11NC Full Hex	3

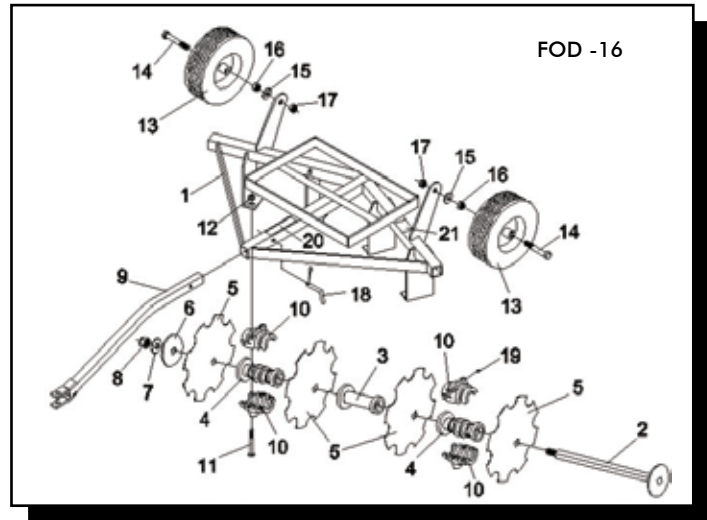
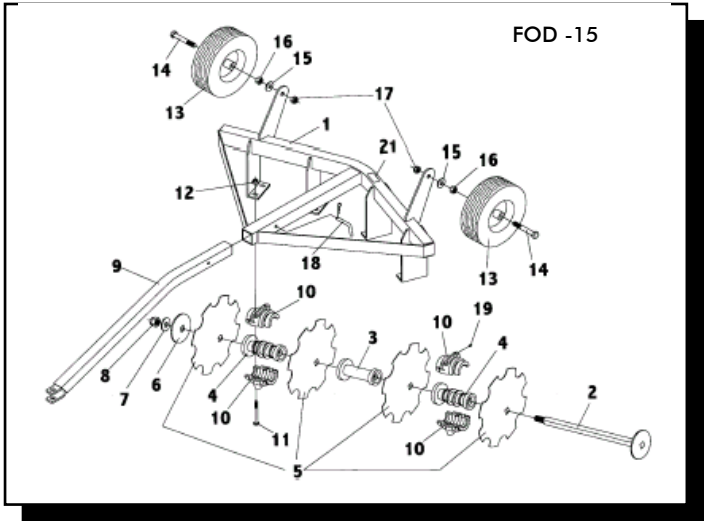
REF. NO.	PART NO.	DESCRIPTION	NO. REQ'D
21	GMP 341857	Shift Pin, 1/2" x 3 1/4"	2
22	GMP 341936	Rope, 5/16" Braided Sisal	1
23	GMP 2503226	Bolt, 1" -8NC x 4" Hex Head	1
24	GMP 2501001	Washer, 1" Medium Flat	2
25	GMP 2500085	Nut, 1" -8NC Nylock Hex Jam	1
26	GMP 341701	Tinebar Weldment (PLR-48)	1
	GMP 341711	Tinebar Weldment (PLR-60)	1
	GMP 341721	Tinebar Weldment (PLR-72)	1
27	GMP 341704	Rake Tooth (PLR-48) Rake Tooth (PLR-60) Rake Tooth (PLR-72)	24 30 36
28	GMP 341705	Tooth Support (PLR-48) Tooth Support (PLR-60) Tooth Support (PLR-72)	4 5 6
29	GMP 2503103	Bolt, 3/8" - 16NC x 1 1/2" Carriage Head (PLR-48) Bolt, 3/8" - 16NC x 1 1/2" Carriage Head (PLR-60) Bolt, 3/8" - 16NC x 1 1/2" Carriage Head (PLR-72)	24 30 36
30	GMP 2500081	Nut, 3/8" - 16 NC Whiz Flange Hex (PLR-48) Nut, 3/8" - 16NC Whiz Flange Hex (PLR-60) Nut, 3/8" - 16NC Whiz Flange Hex (PLR-72)	24 30 36



**WORKSAVER**

**NOTE: Any bolts, washers, nuts, etc. may be sourced locally**

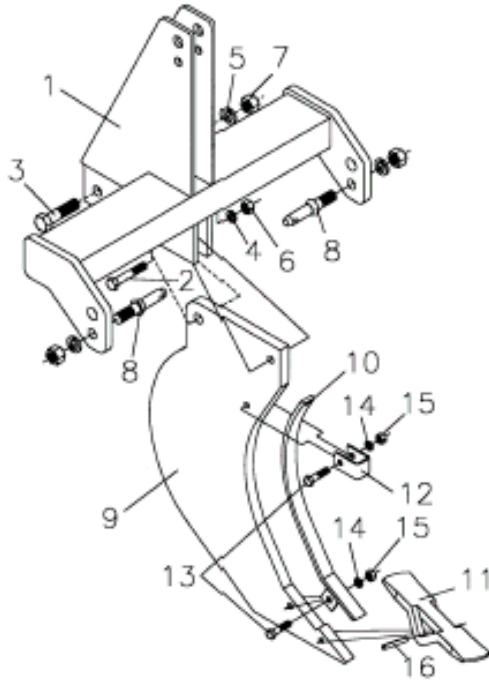
**FOD - 15 & 16 FLIP OVER DISC - REPLACEMENT PARTS**



REF. NO	PART NO.	DESCRIPTION	NO. REQ'D
1	GMP 940285	Main Frame Weldment	1
2	GMP 940282	Disc Axle Weldment	2
3	GMP 940283	Disc Spool (Plain)	2
4	GMP 940284	Disc Spool (Ribbed)	4
5	GMP 940297	Disc Blade (Notched)	8
6	GMP 940318	Disc, Back-up	2
7	GMP 2501001	Washer, 1" Flat	2
8	GMP 2500045	Nut, 1" -8NC Hex Nylock	2
9	GMP 940290	Hitch Beam Weldment	1
10	GMP 940293	Bearing Cap (Half)	8
11	GMP 2503268	Bolt, ½" -13NC x 5" Carriage Head Gr. 5	8
12	GMP 2500040	Nut, ½" -13NC Whiz Flange Hex	8
13	GMP 341935	Wheel Assembly 410/350 x 6	2
14	GMP 2503033	Bolt, ¾" -10NC x 5" Hex Head Gr. 2	2
15	GMP 2501002	Washer, ¾" Flat	2
16	GMP 2500002	Nut, ¾" -10NC Full Hex	2
17	GMP 2500075	Nut, ¾" -10NC Hex Jam Nylock	2
18	GMP 341857	Shift Pin w/Hairclip Pin	1
19	GMP 2504208	Grease Zerk M6 x 1.0	8
20	GMP 101065	Safety Sign - Warning (No Riders)	2
21	GMP 101195	Safety Sign - Warning (Sharp Blade)	1

**NOTE: Any bolts, washers, nuts, etc. may be sourced locally**

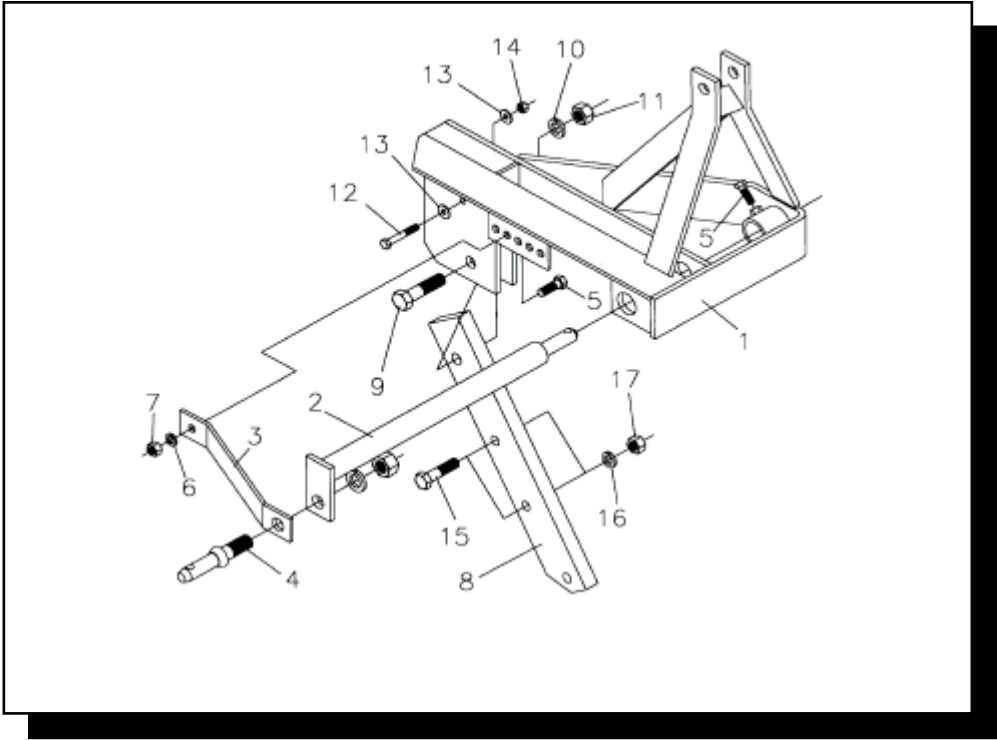
## DEEP TILLAGE RIPPER - REPLACEMENT PARTS




REF. NO.	PART NO.	DESCRIPTION	NO. REQ'D
1	GMP 800135	Main Frame Weldment	1
2	GMP 2503049	Bolt, $\frac{5}{8}$ " -11NC x 3 $\frac{1}{2}$ " Hex Head Gr. 2 (Shearbolt)	1
3	GMP 2503082	Bolt, $\frac{7}{8}$ " -9NC x 3 $\frac{1}{2}$ " Hex Head	1
4	GMP 2502007	Washer, $\frac{5}{8}$ " Spring Lock	1
5	GMP 2502005	Washer, $\frac{7}{8}$ " Spring Lock	1
6	GMP 2500013	Nut, $\frac{5}{8}$ " -11NC Full Hex	1
7	GMP 2500015	Nut, $\frac{7}{8}$ " -9NC Full Hex	1
8	GMP 590108	Pull Pin, Cat. I (AK-578)	2
9	GMP 800124	30" Shank (R-Series)	1
10	GMP 800130	Wear Strip Weldment	1
11	GMP 800126	Reversible Point (R-Series)	1
12	GMP 380180	Wear Strip Clip	1
13	GMP 2503007	Bolt, $\frac{1}{2}$ " -13NC x 2" Hex Head	2
14	GMP 2502002	Washer, $\frac{1}{2}$ " Spring Lock	2
15	GMP 2500003	Nut, $\frac{1}{2}$ " -13NC Full Hex	2
16	GMP 2504195	Roll Pin, $\frac{1}{2}$ " x 2 $\frac{1}{2}$ "	1

**NOTE: Any bolts, washers, nuts, etc. may be sourced locally**

**SINGLE BOTTOM PLOW - REPLACEMENT PARTS**



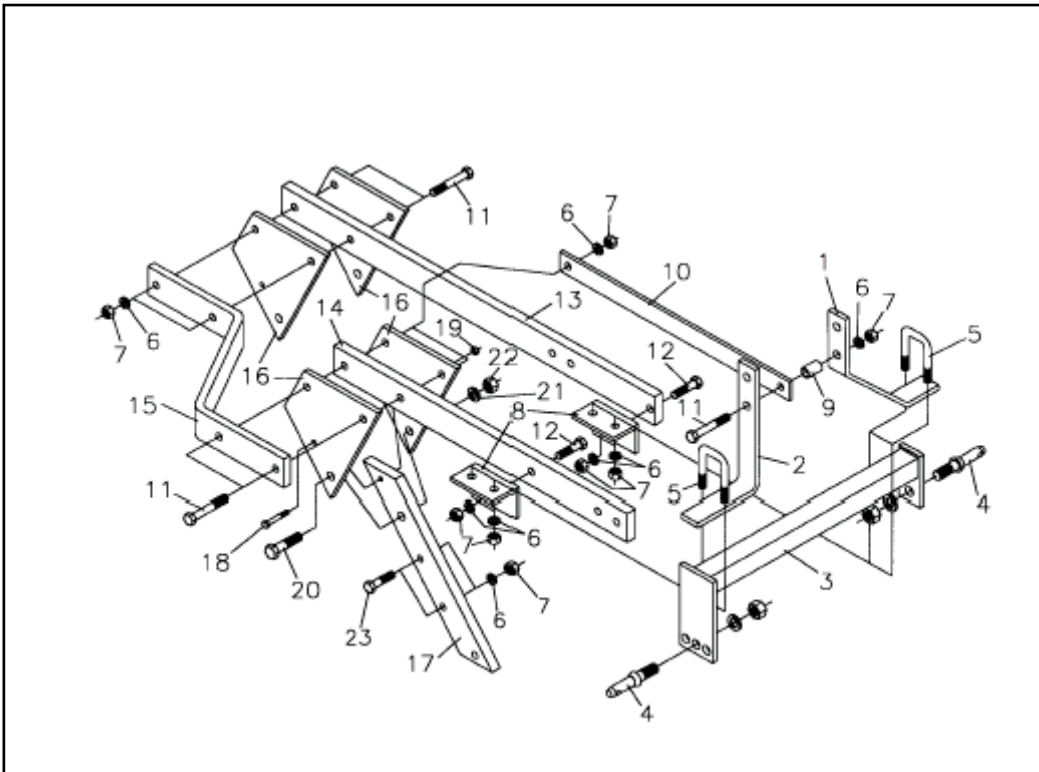
REF. NO.	PART NO.	DESCRIPTION	NO. REQ'D
1	GMP 800506	Main Frame Weldment	1
2	GMP 800526	Pull Shaft Weldment	1
3	GMP 800534	Brace, Right Hand Side	1
4	GMP 590108	Lift Pin (AK-578)	1
5	GMP 2503004	Bolt, 1/2" - 13NC x 1 1/2" Hex Head Gr. 2	2
6	GMP 2502002	Washer, 1/2" Springlock	1
7	GMP 2500003	Nut, 1/2" -13NC Full Hex	1
8	GMP 800535	Shank, Plow Bottom	1
9	GMP 2503135	Bolt, 3/4" -10NC x 3" Hex Head Gr. 5 (Pivot)	1
10	GMP 2502001	Washer, 3/4" Springlock	1
11	GMP 2500002	Nut, 3/4" -10NC Full Hex	1
12	GMP 2503039	Bolt, 3/8" -16NC x 2 1/2" Hex Head Gr. 2 (Shear)	1
13	GMP 2501004	Washer, 3/8" Flat	2
14	GMP 2500055	Nut, 3/8" -16NC Stamplock Hex	1
15	GMP 2503088	Bolt, 5/8" -11NC x 2 1/2" Hex Head Gr. 5	2
16	GMP 2502007	Washer, 5/8" Springlock	2
17	GMP 2500013	Nut, 5/8" -11NC Full Hex	2

**MOLDBOARD ASSEMBLY**  
SEE PAGE 22-39

**COULTER ASSEMBLY**  
SEE PAGE 22-40

**NOTE: Any bolts, washers, nuts, etc. may be sourced locally**

## TWO BOTTOM PLOW - REPLACEMENT PARTS



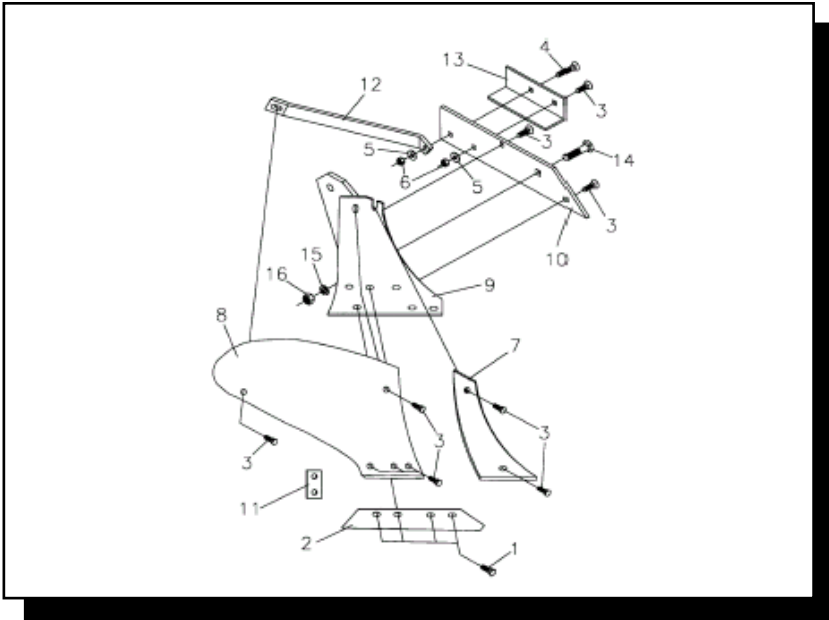

REF. NO.	PART NO.	DESCRIPTION	NO. REQ'D
1	GMP 800511	A-Frame LH	1
2	GMP 800512	A-Frame RH	1
3	GMP 800513	Cross Bar Weldment	1
4	GMP 590108	Lift Pin (AK-578)	1
5	GMP 800514	U-Bolt, 5/8" -11NC 2" ID x 4" Lg.	2
6	GMP 2502007	Washer, 3/8" Springlock	1
7	GMP 2500013	Nut, 5/8" -11NC Full Hex	1
8	GMP 800516	Angle, Cross Bar Attachment	1
9	GMP 800517	Spacer	1
10	GMP 800518	Brace Strap	1
11	GMP 2503066	Bolt, 3/8" -11NC x 4" Hex Head Gr. 2	1
12	GMP 2503051	Bolt, 3/8" -11NC x 2 1/2" Hex Head Gr. 2	1
13	GMP 800521	Main Bar (Long) 44 1/2"	2
14	GMP 800522	Main Bar (Short) 35"	1
15	GMP 800523	Tie Bar	2
16	GMP 800524	Shank Plate	2
17	GMP 800525	Plow Beam	2
18	GMP 2503039	Bolt, 3/8" -16NC x 2 1/2" Hex Head Gr. 2 (Shear)	2
19	GMP 2500055	Nut, 3/8" -16NC Stamplock Hex	2
20	GMP 2503135	Bolt, 3/4" -10NC x 3" Hex Head Gr. 5 (Pivot)	2
21	GMP 2502001	Washer, 3/4" Springlock	2
22	GMP 2500002	Nut, 3/4" -10NC Full Hex	2
23	GMP 2503088	Bolt, 3/8" -11NC x 2 1/2" Hex Head Gr. 5	2

**MOLDBOARD ASSEMBLY**  
SEE PAGE 22-39

**COULTER ASSEMBLY**  
SEE PAGE 22-40

**NOTE:** Any bolts, washers, nuts, etc. may be sourced locally

**ONE & TWO BOTTOM PLOW MOLDBOARD ASSEMBLY - REPLACEMENT PARTS**

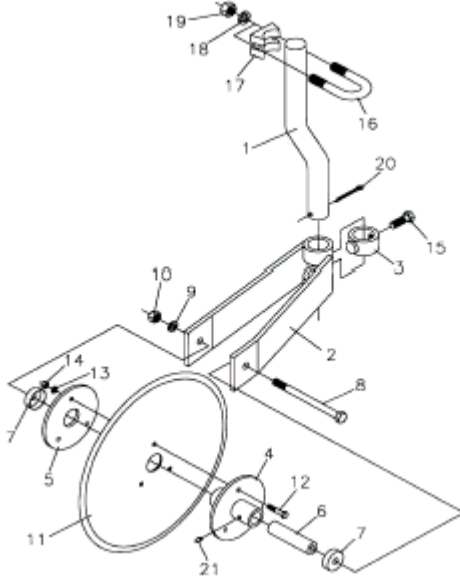


REF. NO.	PART NO.	DESCRIPTION	NO. REQ'D 1 BOTTOM	NO. REQ'D 2 BOTTOM
1	GMP 2503290	Bolt, 7/16" -14NC x 1 1/2" Clipped Head	4	8
2	GMP 800507	14" Share	1	2
3	GMP 2503291	Bolt, 7/16" -14NC x 1 1/4" #3 Plow Head	10	18
4	GMP 2503292	Bolt, 7/16" -14NC x 2" #3 Plow Head	1	2
5	GMP 2501007	Washer, 7/16" Flat	15	28
6	GMP 2500012	Nut, 7/16" -14NC Full Hex	15	28
7	GMP 800501	Shin	1	2
8	GMP 800502	Moldboard	1	2
9	GMP 800503	Frog (sold only with complete bottom assemblies)	1	2
10	GMP 800504	Landside, Long Rear (Shown)	1	1
	GMP 800508	Landside, Short Rear (Not Shown)	-	1
11	GMP 800509	Clip	1	2
12	GMP 800527	Brace, Rear Landside (Shown)	1	1
	GMP 800528	Brace, Front Landside (Not Shown)	-	1
13	GMP 800529	Heel	1	1
14	GMP 2503286	Bolt, 5/8" -11NC x 3" Carriage Head	1	2
15	GMP 2502007	Washer, 5/8" Springlock	1	2
16	GMP 2500013	Nut, 5/8" -11NC Full Hex	1	2
	GMP 800570	Bottom Assembly, 14" Rear	1	1
	GMP 800575	Bottom Assembly 14" Front	-	1

**NOTE: Any bolts, washers, nuts, etc. may be sourced locally**



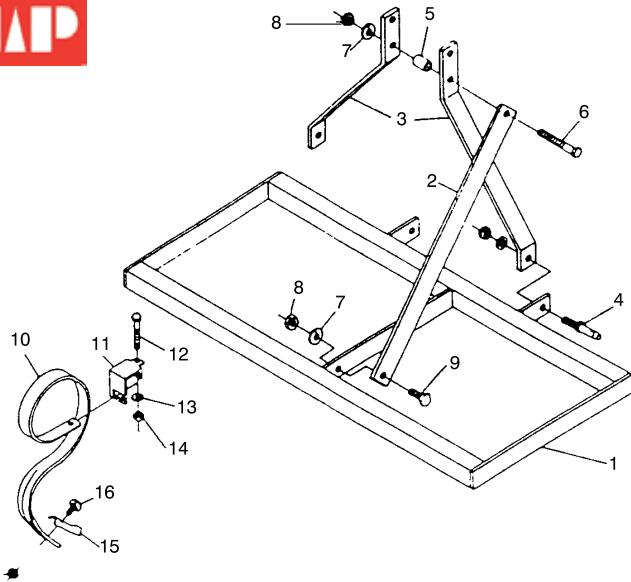
# ONE & TWO BOTTOM PLOW COULTER ASSEMBLY - REPLACEMENT PARTS




Ref. No.	PART NO.	DESCRIPTION	NO. REQ'D
1	GMP 800550	Shank, Plow Coulters	1
2	GMP 800540	Arm Weldment	1
3	GMP 800545	Lock Collar	1
4	GMP 800555	Hub, 3-Bolt	1
5	GMP 800557	Plate, Hub	1
6	GMP 800558	Axle Tube, Hub	1
7	GMP 800559	Dust Shield	2
8	GMP 2503289	Bolt, 1/2" -13NC x 6" Hex Head Gr. 2	1
9	GMP 2502002	Washer, 1/2" Springlock	1
10	GMP 2500003	Nut, 1/2" - 13NC Full Hex	1
11	GMP 800551	Blade, 15" Coulters	1
12	GMP 2503038	Bolt, 5/16" -18NC x 1" Hex Head Gr. 2	3
13	GMP 2502011	Washer, 5/16" Springlock	3
14	GMP 2500011	Nut, 5/16" -18NC Full Hex	3
15	GMP 2503004	Bolt, 1/2" -13NC x 1 1/2" Hex Head Gr. 2	1
16	GMP 2503287	U-Bolt, 5/8" -11NC x 1 1/2" I.D.	1
17	GMP 2503288	Clamp, U-Bolt	1
18	GMP 2502007	Washer, 5/8" Springlock	2
19	GMP 2500013	Nut, 5/8" -11NC Full Hex	2
20	GMP 2504003	Pin, Cotter 1/4" x 2 1/2"	
21	GMP 2504049	Grease Zerk, 5/16" Drive	1

**NOTE: Any bolts, washers, nuts, etc. may be sourced locally**

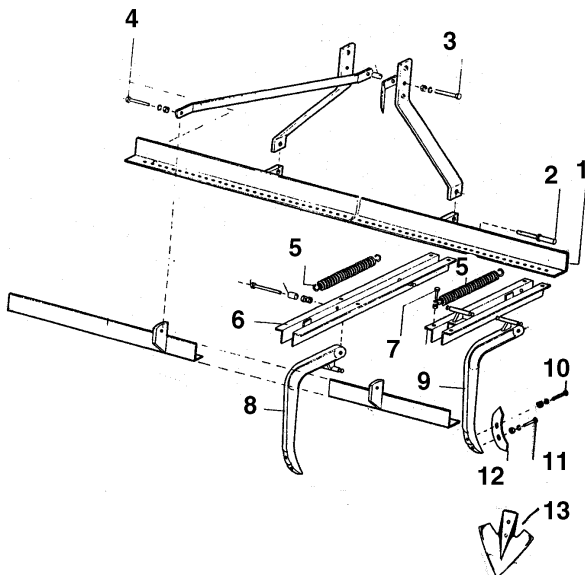
**WESTWARD CDT CULTIVATOR - REPLACEMENT PARTS**



PART NO.	DESCRIPTION
SWE 6021-200	Helper Spring
SWE G1B	1/4" x 6" reversible spike
SWE G2B	2 3/4" sweep
SWE G4B-V	4" sweep
SWE G7B	7" sweep
SWE G10B	10" sweep

ITEM	PART NO.	DESCRIPTION
1	GMR CDT 5F	5' frame
1	GMR CDT 6F	6' frame
1	GMR CDT 7F	7' frame
1	GMR CDT 8F	8' frame
4	3PP 200	Lift pin
6	GMP 508350	1/2" x 3 1/2" cap screw
7	BLT LW 1/2	1/2" lock washer
8	BLT FN 1/2	1/2" hex nut
9	BLT 508125	1/2" x 1 1/4" cap screw
10	SWE 6021-100	S tine
11	SWE 6021-155	Clamp
12	BLT 507350	7/16" x 3 1/2" cap screw
13	BLT LW 7/16	7/16" lock washer
14	BLT FN 7/16	7/16" hex nut
15	SWE G1B	Reversible Point
16	SWE 6021-300	Elliptical head bolt w/nut

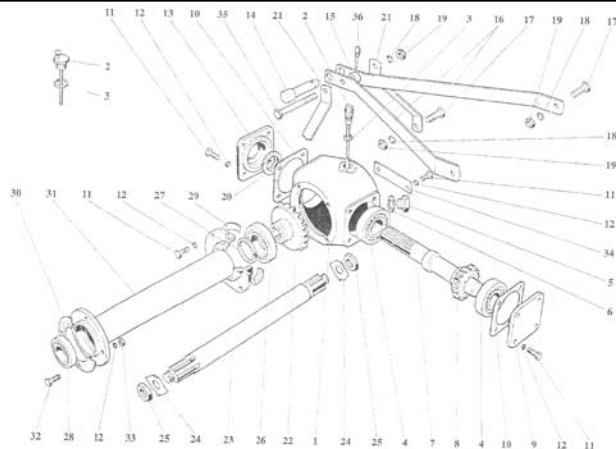
**WESTWARD CML CULTIVATOR - REPLACEMENT PARTS**



ITEM	PART NO.	DESCRIPTION
1	GMP CML7F	7' Shank Frame
1	GMP CML9F	9' Shank Frame
1	GMP CML11F	11' Shank Frame
2	3PP 200	Lower Link Pin
3	BLT 510450	5/8" x 3 3/4" Bolt
4	BLT 510175	Bolt 5/8" x 1 3/4"
5	GMP CML19	Spring
6	GMP CML44	Long Frame
7	GMP CML43	Short Frame
8	GMP CML26	Long Shank
9	GMP CML22	Short Shank
10	GMP CML23	Long Bolt
11	GMP CML24	Short Bolt
12	GMP CML25	Chisel Point
13	GMP CML30	8" Sweep

**NOTE: Any bolts, washers, nuts, etc. may be sourced locally**

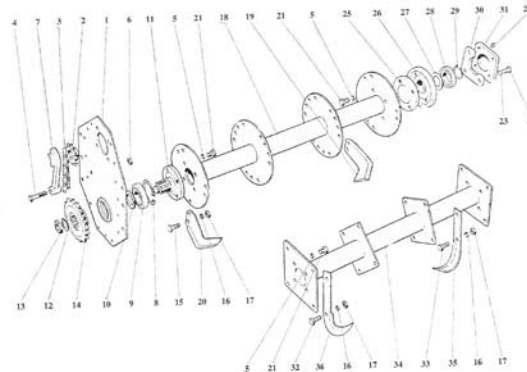
**AGRIC AL SERIES TILLER - REPLACEMENT PARTS**



REF. NO.	DESCRIPTION	AL 40/4	AL 40/6	AL 50/4	AL 50/6	AL 60/4	AL 60/6
1	Gearbox	GMP 13100306	GMP 13100306	GMP 13100306	GMP 13100306	GMP 13100306	GMP 13100306
2	Dip Stick	GMP 22800109	GMP 22800109	GMP 22800109	GMP 22800109	GMP 22800109	GMP 22800109
3	Gasket	GMP 03951918	GMP 03951918	GMP 03951918	GMP 03951918	GMP 03951918	GMP 03951918
4	Bearing	GMP 03900804	GMP 03900804	GMP 03900804	GMP 03900804	GMP 03900804	GMP 03900804
5	Plug	GMP 04100104	GMP 04100104	GMP 04100104	GMP 04100104	GMP 04100104	GMP 04100104
6	Gasket	GMP 03951808	GMP 03951808	GMP 03951808	GMP 0351808	GMP 03951808	GMP 03951808
7	Shaft	GMP 11004101	GMP 11004101	GMP 11004101	GMP 11004101	GMP 11004101	GMP 11004101
8	Pinion	GMP 11300203	GMP 11300203	GMP 11300203	GMP 11300203	GMP 11300203	GMP 11300203
9	Cover	GMP 10230709	GMP 10230709	GMP 10230709	GMP 10230709	GMP 10230709	GMP 10230709
10	Gasket	GMP 03950702	GMP 03950702	GMP 03950702	GMP 03950702	GMP 03950702	GMP 03950702
11	Screw	GMP 03702808	GMP 03702808	GMP 03702808	GMP 03702808	GMP 03702808	GMP 03702808
12	Washer	GMP 03820401	GMP 03820401	GMP 03820401	GMP 03820401	GMP 03820401	GMP 03820401
13	Cover	GMP 10230204	GMP 10230204	GMP 10230204	GMP 10230204	GMP 10230204	GMP 10230204
14	Bolt	GMP 11100102	GMP 11100102	GMP 11100102	GMP 11100102	GMP 11100102	GMP 11100102
15	Ring	GMP 11406505	GMP 11406505	GMP 11406505	GMP 11406505	GMP 11406505	GMP 11406505
16	Hitch	GMP 10540303	GMP 10540303	GMP 10540303	GMP 10540303	GMP 10540303	GMP 10540303
17	Bolt	GMP 03704000	GMP 03704000	GMP 03704000	GMP 03704000	GMP 03704000	GMP 03704000
18	Washer	GMP 03820508	GMP 03820508	GMP 03820508	GMP 03820508	GMP 03820508	GMP 03820508
19	Nut	GMP 03770205	GMP 03770205	GMP 03770205	GMP 03770205	GMP 03770205	GMP 03770205
20	Oil Seal	GMP 03922008	GMP 03922008	GMP 03922008	GMP 03922008	GMP 03922008	GMP 03922008
21	Brace	GMP 10540811	GMP 10540811	GMP 10540811	GMP 10540811	GMP 10540811	GMP 10540811
22	Crown	GMP 11300902	GMP 11300902	GMP 11300902	GMP 11300902	GMP 11300902	GMP 11300902
23	Shaft	GMP 11001502	GMP 11001502	GMP 11001706	GMP 11001706	GMP 11001719	GMP 11001719
24	Plate	GMP 10341007	GMP 10341007	GMP 10341007	GMP 10341007	GMP 10341007	GMP 10341007
25	Nut	GMP 13300203	GMP 13300203	GMP 13300203	GMP 13300203	GMP 13300203	GMP 13300203
26	Bearing	GMP 03904101	GMP 03904101	GMP 03904101	GMP 03904101	GMP 03904101	GMP 03904101
27	Oil Seal	GMP 03921203	GMP 03921203	GMP 03921203	GMP 03921203	GMP 03921203	GMP 03921203
28	Bearing	GMP 03903500	GMP 03903500	GMP 03903500	GMP 03903500	GMP 03903500	GMP 03903500
29	Gasket	GMP 03950508	GMP 03950508	GMP 03950508	GMP 03950508	GMP 03950508	GMP 03950508
30	Gasket	GMP 03953408	GMP 03953408	GMP 03953408	GMP 03953408	GMP 03953408	GMP 03953408
31	Housing	GMP 23402104	GMP 23402104	GMP 23402308	GMP 23402308	GMP 23402405	GMP 23402405
32	Bolt	GMP 03702905	GMP 03702905	GMP 03702905	GMP 03702905	GMP 03702905	GMP 03702905
33	Nut	GMP 03780303	GMP 03780303	GMP 03780303	GMP 03780303	GMP 03780303	GMP 03780303
34	Plate	GMP 10300101	GMP 10300101	GMP 10300101	GMP 10300101	GMP 10300101	GMP 10300101
35	Bolt	GMP 03734605	GMP 03734605	GMP 03734605	GMP 03734605	GMP 03734605	GMP 03734605
36	Pin	GMP 04820105	GMP 04820105	GMP 04820105	GMP 04820105	GMP 04820105	GMP 04820105

**NOTE: Any bolts, washers, nuts, etc. may be sourced locally**

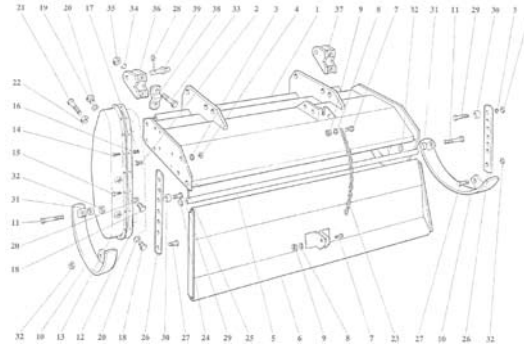
**AGRIC AL SERIES TILLER - REPLACEMENT PARTS**



REF. NO.	DESCRIPTION	AL 40/4	AL 40/6	AL 50/4	AL 50/6	AL 60/4	AL 60/6
1	End Plate	GMP 20420200	GMP 20420200	GMP 20420200	GMP 20420200	GMP 20420200	GMP 20420200
2	Pinion	GMP 11340304	GMP 11340304	GMP 11340304	GMP 11340304	GMP 11340304	GMP 11340304
3	Chain	GMP 04835800	GMP 04835800	GMP 04835800	GMP 04835800	GMP 04835800	GMP 04835800
4	Bolt	GMP 03734207	GMP 03734207	GMP 03734207	GMP 03734207	GMP 03734207	GMP 03734207
5	Washer	GMP 03820508	GMP 03820508	GMP 03820508	GMP 03820508	GMP 03820508	GMP 03820508
6	Nut	GMP 03770205	GMP 03770205	GMP 03770205	GMP 03770205	GMP 03770205	GMP 03770205
7	Tightener	GMP 11500508	GMP 11500508	GMP 11500508	GMP 11500508	GMP 11500508	GMP 11500508
8	Ring	GMP 04140700	GMP 04140700	GMP 04140700	GMP 04140700	GMP 04140700	GMP 04140700
9	Bearing	GMP 03901007	GMP 03901007	GMP 03901007	GMP 03901007	GMP 03901007	GMP 03901007
10	Oil Seal	GMP 03922309	GMP 03922309	GMP 03922309	GMP 03922309	GMP 03922309	GMP 03922309
11	Rotor Shaft	GMP 11003403	GMP 11003403	GMP 11003403	GMP 11003403	GMP 11003403	GMP 11003403
12	Plate	GMP 10341007	GMP 10341007	GMP 10341007	GMP 10341007	GMP 10341007	GMP 10341007
13	Nut	GMP 13305208	GMP 13305208	GMP 13305208	GMP 13305208	GMP 13305208	GMP 13305208
14	Pinion	GMP 11340906	GMP 11340906	GMP 11340906	GMP 11340906	GMP 11340906	GMP 11340906
15	Bolt	GMP 03737903	GMP 03737903	GMP 03737903	GMP 03737903	GMP 03737903	GMP 03737903
16	Washer	GMP 03821400	GMP 03821400	GMP 03821400	GMP 03821400	GMP 03821400	GMP 03821400
17	Nut	GMP 03771301	GMP 03771301	GMP 03771301	GMP 03771301	GMP 03771301	GMP 03771301
18	Rotor	-	GMP 23501704	-	GMP 23501908	-	GMP 23502101
19	LH Blade	-	GMP 04503303	-	GMP 04503303	-	GMP 04503303
20	RH Blade	-	GMP 04503400	-	GMP 04503400	-	GMP 04503400
21	Bolt	GMP 03733703	GMP 03733703	GMP 03733703	GMP 03733703	GMP 03733703	GMP 03733703
22	Bolt	GMP 03703001	GMP 03703001	GMP 03703001	GMP 03703001	GMP 03703001	GMP 03703001
23	Washer	GMP 03820401	GMP 03820401	GMP 03820401	GMP 03820401	GMP 03820401	GMP 03820401
24	Grease Zerk	GMP 04800103	GMP 04800103	GMP 04800103	GMP 04800103	GMP 04800103	GMP 04800103
25	Plate	GMP 11030302	GMP 11030302	GMP 11030302	GMP 11030302	GMP 11030302	GMP 11030302
26	Housing	GMP 10603303	GMP 10603303	GMP 10603303	GMP 10603303	GMP 10603303	GMP 10603303
27	Oil Seal	GMP 03922707	GMP 03922707	GMP 03922707	GMP 03922707	GMP 03922707	GMP 03922707
28	Bearing	GMP 03900707	GMP 03900707	GMP 03900707	GMP 03900707	GMP 03900707	GMP 03900707
29	Ring	GMP 04145200	GMP 04145200	GMP 04145200	GMP 04145200	GMP 04145200	GMP 04145200
30	Gasket	GMP 03950702	GMP 03950702	GMP 03950702	GMP 03950702	GMP 03950702	GMP 03950702
31	Housing	GMP 10602207	GMP 10602207	GMP 10602207	GMP 10602207	GMP 10602207	GMP 10602207
32	Bolt	GMP 03737903	GMP 03737903	GMP 03737903	GMP 03737903	GMP 03737903	GMP 03737903
33	Bolt	GMP 03738009	GMP 03738009	GMP 03738009	GMP 03738009	GMP 03738009	GMP 03738009
34	Rotor	GMP 23502402	-	GMP 23502606	-	GMP 23502908	-
35	LH Blade	GMP 04500704	-	GMP 04500704	-	GMP 04500704	-
36	RH Blade	GMP 04500801	-	GMP 04500801	-	GMP 04500801	-

**NOTE: Any bolts, washers, nuts, etc. may be sourced locally**

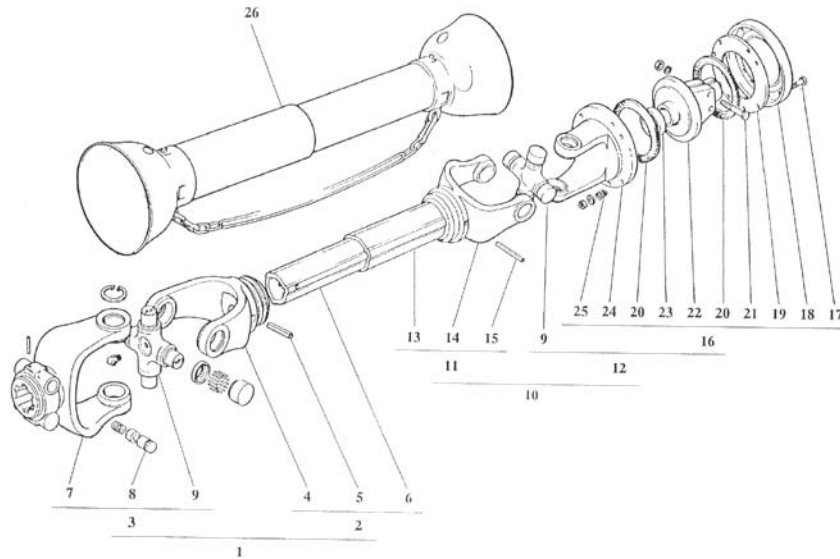
# AGRIC AL SERIES TILLER - REPLACEMENT PARTS

REF. NO.	DESCRIPTION	AL 40/4	AL 40/6	AL 50/4	AL 50/6	AL 60/4	AL 60/6
1	Frame	GMP 23004502	GMP 23004502	GMP 23004706	GMP 23004706	GMP 23005417	GMP 23005417
2	Bolt	GMP 03703807	GMP 03703807	GMP 03703807	GMP 03703807	GMP 03703807	GMP 03703807
3	Washer	GMP 03820508	GMP 03820508	GMP 03820508	GMP 03820508	GMP 03820508	GMP 03820508
4	Nut	GMP 03770205	GMP 03770205	GMP 03770205	GMP 03770205	GMP 03770205	GMP 03770205
5	Hinge	GMP 10715503	GMP 10715503	GMP 10715707	GMP 10715707	GMP 10716308	GMP 10716308
6	Tail Gate	GMP 23011807	GMP 23011807	GMP 23012800	GMP 23012800	GMP 23012107	GMP 23012107
7	Bolt	GMP 03702808	GMP 03702808	GMP 03702808	GMP 03702808	GMP 03702808	GMP 03702808
8	Washer	GMP 03820401	GMP 03820401	GMP 03820401	GMP 03820401	GMP 03820401	GMP 03820401
9	Nut	GMP 03770506	GMP 03770506	GMP 03770506	GMP 03770506	GMP 03770506	GMP 03770506
10	Skid	GMP 20470108	GMP 20470108	GMP 20470108	GMP 20470108	GMP 20470108	GMP 20470108
11	Bolt	GMP 03734304	GMP 03734304	GMP 03734304	GMP 03734304	GMP 03734304	GMP 03734304
12	Gasket	GMP 03953903	GMP 03953903	GMP 03953903	GMP 03953903	GMP 03953903	GMP 03953903
13	Cover	GMP 20200505	GMP 20200505	GMP 20200505	GMP 20200505	GMP 20200505	GMP 20200505
14	Bolt	GMP 03701702	GMP 03701702	GMP 03701702	GMP 03701702	GMP 03701702	GMP 03701702
15	Bolt	GMP 03701809	GMP 03701809	GMP 03701809	GMP 03701809	GMP 03701809	GMP 03701809
16	Washer	GMP 03820304	GMP 03820304	GMP 03820304	GMP 03820304	GMP 03820304	GMP 03820304
17	Nut	GMP 03770409	GMP 03770409	GMP 03770409	GMP 03770409	GMP 03770409	GMP 03770409
18	Plug	GMP 04100104	GMP 04100104	GMP 04100104	GMP 04100104	GMP 04100104	GMP 04100104
19	Plug	GMP 12800601	GMP 12800601	GMP 12800601	GMP 12800601	GMP 12800601	GMP 12800601
20	Gasket	GMP 03940303	GMP 03940303	GMP 03940303	GMP 03940303	GMP 03940303	GMP 03940303
21	Bolt	GMP 03705504	GMP 03705504	GMP 03705504	GMP 03705504	GMP 03705504	GMP 03705504
22	Nut	GMP 03770108	GMP 03770108	GMP 03770108	GMP 03770108	GMP 03770108	GMP 03770108
23	Chain	GMP 03986000	GMP 03986000	GMP 03986000	GMP 03986000	GMP 03986000	GMP 03986000
24	Washer	GMP 03800904	GMP 03800904	GMP 03800904	GMP 03800904	GMP 03800904	GMP 03800904
25	Pin	GMP 04822705	GMP 04822705	GMP 04822705	GMP 04822705	GMP 04822705	GMP 04822705
26	Rack	GMP 10421002	GMP 10421002	GMP 10421002	GMP 10421002	GMP 10421002	GMP 10421002
27	Bolt	GMP 03704000	GMP 03704000	GMP 03704000	GMP 03704000	GMP 03704000	GMP 03704000
28	Pin	GMP 04820105	GMP 04820105	GMP 04820105	GMP 04820105	GMP 04820105	GMP 04820105
29	Bolt	GMP 03734100	GMP 03734100	GMP 03734100	GMP 03734100	GMP 03734100	GMP 03734100
30	Spacer	GMP 11407009	GMP 11407009	GMP 11407009	GMP 11407009	GMP 11407009	GMP 11407009
31	Spacer	GMP 11406505	GMP 11406505	GMP 11406505	GMP 11406505	GMP 11406505	GMP 11406505
32	Nut	GMP 03780400	GMP 03780400	GMP 03780400	GMP 03780400	GMP 03780400	GMP 03780400
33	Bolt	GMP 03737000	GMP 03737000	GMP 03737000	GMP 03737000	GMP 03737000	GMP 03737000
34	Washer	GMP 03820702	GMP 03820702	GMP 03820702	GMP 03820702	GMP 03820702	GMP 03820702
35	Nut	GMP 03780604	GMP 03780604	GMP 03780604	GMP 03780604	GMP 03780604	GMP 03780604
36	Support	GMP 20400800	GMP 20400800	GMP 20400800	GMP 20400800	GMP 20400800	GMP 20400800
37	Support	GMP 20404000	GMP 20404000	GMP 20404000	GMP 20404000	GMP 20404000	GMP 20404000
38	Bracket	GMP 10551109	GMP 10551109	GMP 10551109	GMP 10551109	GMP 10551109	GMP 10551109
39	Pin 3PT	GMP 11100704	GMP 11100704	GMP 11100704	GMP 11100704	GMP 11100704	GMP 11100704

**NOTE: Any bolts, washers, nuts, etc. may be sourced locally**

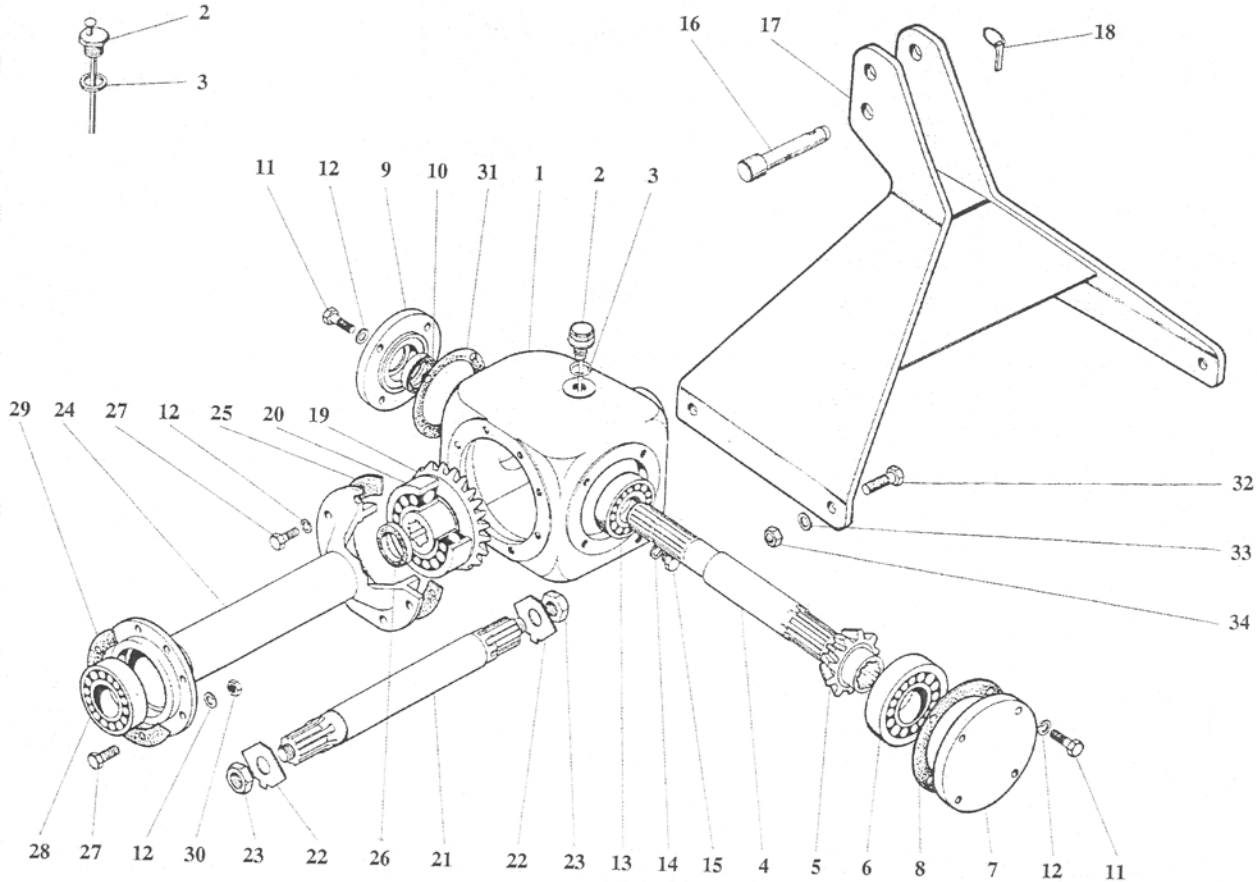
**AGRIC AL SERIES TILLER - REPLACEMENT PARTS**



REF. NO.	DESCRIPTION	AL 40/4	AL 40/6	AL 50/4	AL 50/6	AL 60/4	AL 60/6
Complete	PTO	GMP 04911003	GMP 04911003	GMP 04911003	GMP 04911003	GMP 04911003	GMP 04911003
1	Yoke Assy.	GMP 04910017	GMP 04910017	GMP 04910017	GMP 04910017	GMP 04910017	GMP 04910017
2	Yoke Assy.	GMP 04910020	GMP 04910020	GMP 04910020	GMP 04910020	GMP 04910020	GMP 04910020
3	Yoke	GMP 04910033	GMP 04910033	GMP 04910033	GMP 04910033	GMP 04910033	GMP 04910033
4	Yoke	GMP 04903505	GMP 04903505	GMP 04903505	GMP 04903505	GMP 04903505	GMP 04903505
5	Pin	GMP 04909554	GMP 04909554	GMP 04909554	GMP 04909554	GMP 04909554	GMP 04909554
6	Tube	GMP 04910046	GMP 04910046	GMP 04910046	GMP 04910046	GMP 04910046	GMP 04910046
7	Yoke	GMP 04900508	GMP 04900508	GMP 04900508	GMP 04900508	GMP 04900508	GMP 04900508
8	Pin	GMP 04909457	GMP 04909457	GMP 04909457	GMP 04909457	GMP 04909457	GMP 04909457
9	U-Joint	GMP 04901507	GMP 04901507	GMP 04901507	GMP 04901507	GMP 04901507	GMP 04901507
10	Yoke Assy.	GMP 04911058	GMP 04911058	GMP 04911058	GMP 04911058	GMP 04911058	GMP 04911058
11	Yoke Assy.	GMP 04910062	GMP 04910062	GMP 04910062	GMP 04910062	GMP 04910062	GMP 04910062
12	Clutch	GMP 04911074	GMP 04911074	GMP 04911074	GMP 04911074	GMP 04911074	GMP 04911074
13	Tube	GMP 04910088	GMP 04910088	GMP 04910088	GMP 04910088	GMP 04910088	GMP 04910088
14	Yoke	GMP 04902506	GMP 04902506	GMP 04902506	GMP 04902506	GMP 04902506	GMP 04902506
15	Pin	GMP 04909651	GMP 04909651	GMP 04909651	GMP 04909651	GMP 04909651	GMP 04909651
16	Clutch	GMP 04931513	GMP 04931513	GMP 04931513	GMP 04931513	GMP 04931513	GMP 04931513
17	Bolt	GMP 04909017	GMP 04909017	GMP 04909017	GMP 04909017	GMP 04909017	GMP 04909017
18	Cover	GMP 04908018	GMP 04908018	GMP 04908018	GMP 04908018	GMP 04908018	GMP 04908018
19	Disc	GMP 04907019	GMP 04907019	GMP 04907019	GMP 04907019	GMP 04907019	GMP 04907019
20	Lining	GMP 04906010	GMP 04906010	GMP 04906010	GMP 04906010	GMP 04906010	GMP 04906010
21	Bolt	GMP 04909318	GMP 04909318	GMP 04909318	GMP 04909318	GMP 04909318	GMP 04909318
22	Disc	GMP 04904012	GMP 04904012	GMP 04904012	GMP 04904012	GMP 04904012	GMP 04904012
23	Busing	GMP 04909211	GMP 04909211	GMP 04909211	GMP 04909211	GMP 04909211	GMP 04909211
24	Yoke	GMP 04905011	GMP 04905011	GMP 04905011	GMP 04905011	GMP 04905011	GMP 04905011
25	Spring	GMP 04909114	GMP 04909114	GMP 04909114	GMP 04909114	GMP 04909114	GMP 04909114
26	Guard	GMP 04930527	GMP 04930527	GMP 04930527	GMP 04930527	GMP 04930527	GMP 04930527

**NOTE: Any bolts, washers, nuts, etc. may be sourced locally**

# AGRIC AFMJ SERIES TILLER - REPLACEMENT PARTS

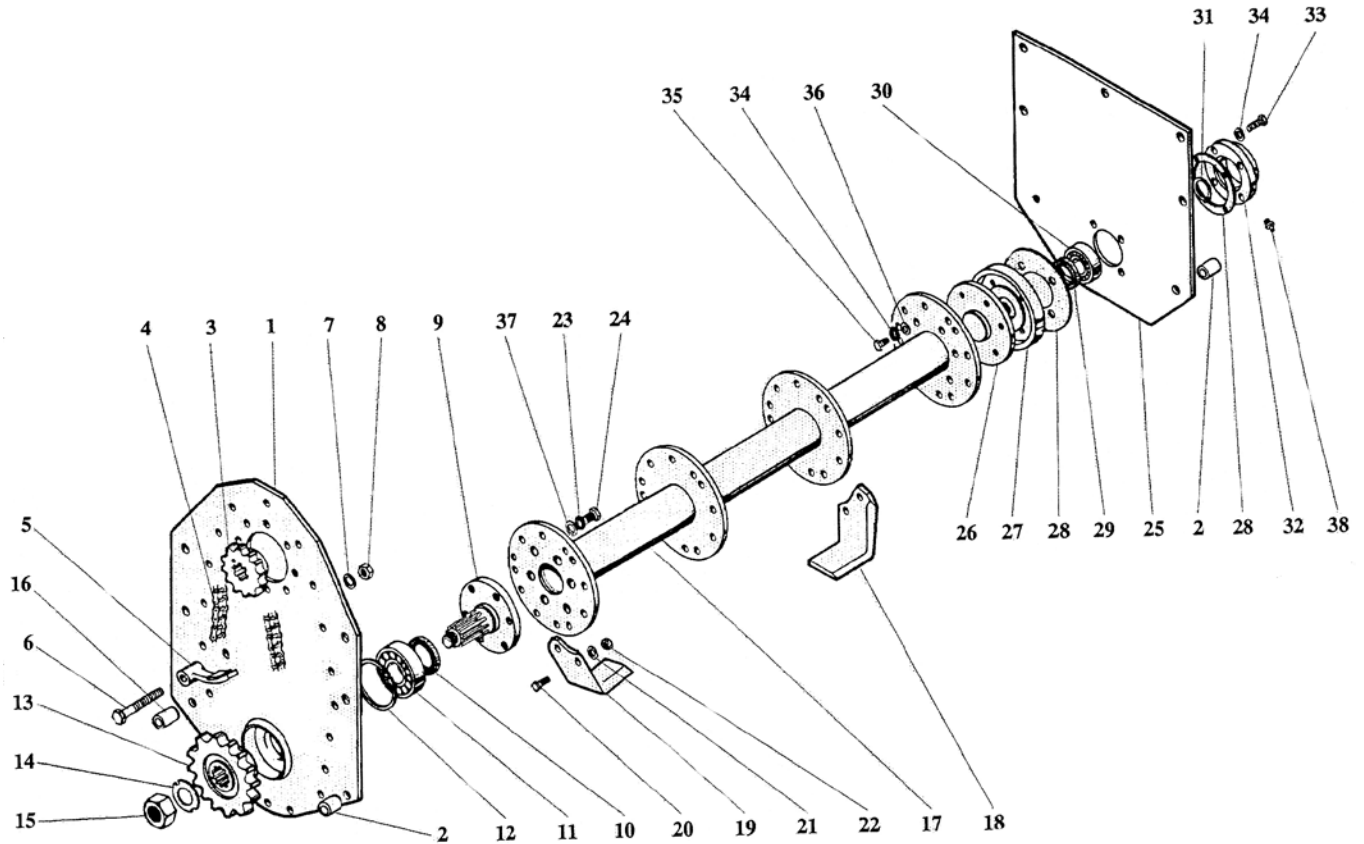
**AGRIC®**


REF. NO.	DESCRIPTION	AFMJ 60/6	AFMJ 70/6
1	Gearbox	GMP 13100102	GMP 13100102
2	Dipstick	GMP 22800206	GMP 22800206
3	Gasket	GMP 03951918	GMP 03951918
4	Shaft	GMP 11000105	GMP 11000105
5	Pinion	GMP 11300106	GMP 11300106
6	Bearing	GMP 03901502	GMP 03901502
7	Cover	GMP 10230505	GMP 10230505
8	Gasket	GMP 03951303	GMP 03951303
9	Cover	GMP 10231009	GMP 10231009
10	Oil Seal	GMP 03922008	GMP 03922008
11	Bolt	GMP 03702808	GMP 0370280
12	Washer	GMP 03820401	GMP 03820401
13	Bearing	GMP 03900804	GMP 03900804
14	Gasket	GMP 03951808	GMP 03951808
15	Plug	GMP 04100104	GMP 04100104
16	Bolt	GMP 11100102	GMP 11100102
17	Hitch	GMP 23200209	GMP 23200209

Ref. No.	Description	AFMJ 60/6	AFMJ 70/6
18	Pin	GMP 04820105	GMP 04820105
19	Crown	GMP 11301008	GMP 11301008
20	Bearing	GMP 03901609	GMP 03901609
21	Shaft	GMP 11001201	GMP 11015800
22	Plate	GMP 10341007	GMP 10341007
23	Nut	GMP 1330203	GMP 1330203
24	Housing	GMP 23401105	GMP 23401202
25	Gasket	GMP 03952001	GMP 03952001
26	Oil Seal	GMP 03920204	GMP 03920204
27	Bolt	GMP 03702905	GMP 03702905
28	Bearing	GMP 03903209	GMP 03903209
29	Gasket	GMP 03952904	GMP 03952904
30	Nut	GMP 03780303	GMP 03780303
31	Gasket	GMP 03953408	GMP 03953408
32	Bolt	GMP 03705300	GMP 03705300
33	Washer	GMP 03820605	GMP 03820605
34	Nut	GMP 03770108	GMP 03770108

**NOTE: Any bolts, washers, nuts, etc. may be sourced locally**

**AGRIC AFMJ SERIES TILLER - REPLACEMENT PARTS**



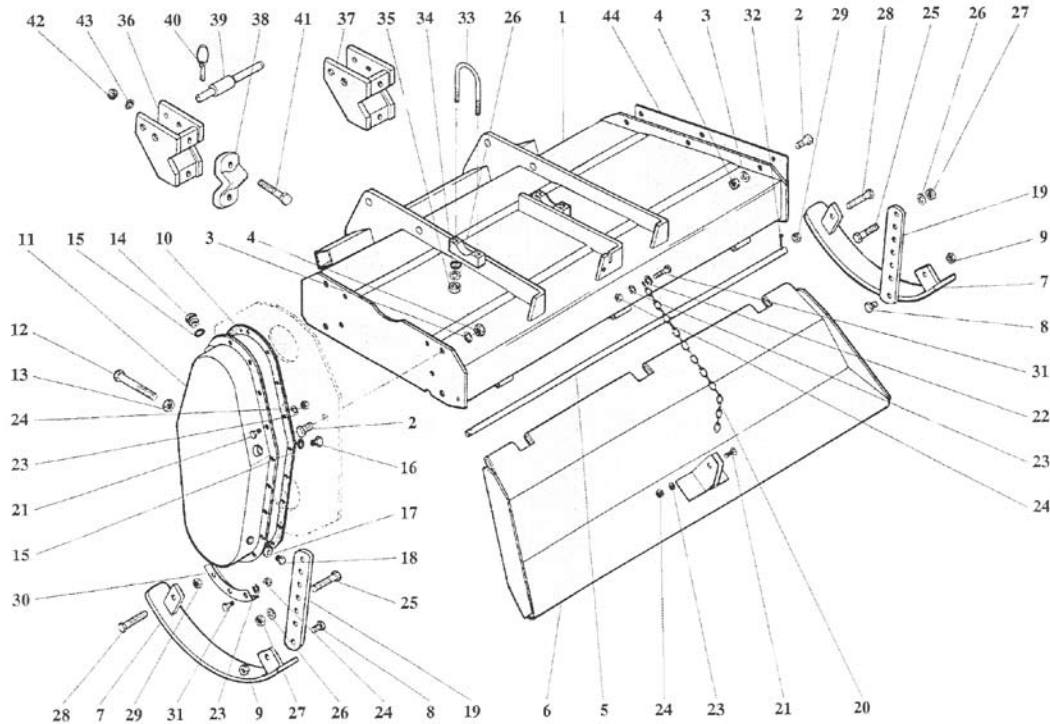
REF. NO.	DESCRIPTION	AFMJ 60/6	AFMJ 70/6
1	End Plate	GMP 20421018	GMP 20421018
2	Ring	GMP 11406505	GMP 11406505
3	Pinion	GMP 11340100	GMP 11340100
4	Chain	GMP 04835101	GMP 04835101
5	Tightener	GMP 11500401	GMP 11500401
6	Bolt	GMP 03735808	GMP 03735808
7	Washer	GMP 03820605	GMP 03820605
8	Nut	GMP 03770108	GMP 03770108
9	Rotor Shaft	GMP 110003717	GMP 110003717
10	Oil Seal	GMP 03920301	GMP 03920301
11	Bearing	GMP 03901308	GMP 03901308
12	Snap ring	GMP 04140506	GMP 04140506
13	Pinion	GMP 11341206	GMP 11341206
14	Plate	GMP 10341104	GMP 10341104
15	Nut	GMP 13300407	GMP 13300407
16	Ring	GMP 11406602	GMP 11406602
17	Rotor	GMP 23500608	GMP 23502800
18	Blade LH	GMP 04503303	GMP 04503303
19	Blade RH	GMP 04503400	GMP 04503400

REF. NO.	DESCRIPTION	AFMJ 60/6	AFMJ 70/6
20	Bolt	GMP 03737903	GMP 03737903
21	Washer	GMP 03821400	GMP 03821400
22	Nut	GMP 03771301	GMP 03771301
23	Washer	GMP 03820508	GMP 03820508
24	Bolt	GMP 03733606	GMP 03733606
25	End Plate	GMP 10343209	GMP 10343209
26	Plate	GMP 11030616	GMP 11030616
27	Housing	GMP 10601800	GMP 10601800
28	Gasket	GMP 03952904	GMP 03952904
29	Oil Seal	GMP 03920408	GMP 03920408
30	Bearing	GMP 03900406	GMP 03900406
31	Snap Ring	GMP 04145006	GMP 04145006
32	Housing	GMP 10602304	GMP 10602304
33	Bolt	GMP 03703001	GMP 03703001
34	Washer	GMP 03820401	GMP 03820401
35	Bolt	GMP 03702808	GMP 03702808
36	Washer	GMP 03800603	GMP 03800603
37	Washer	GMP 03800700	GMP 03800700
38	Grease Zerk	GMP 04800103	GMP 04800103

**NOTE: Any bolts, washers, nuts, etc. may be sourced locally**



# AGRIC AFMJ SERIES TILLER - REPLACEMENT PARTS

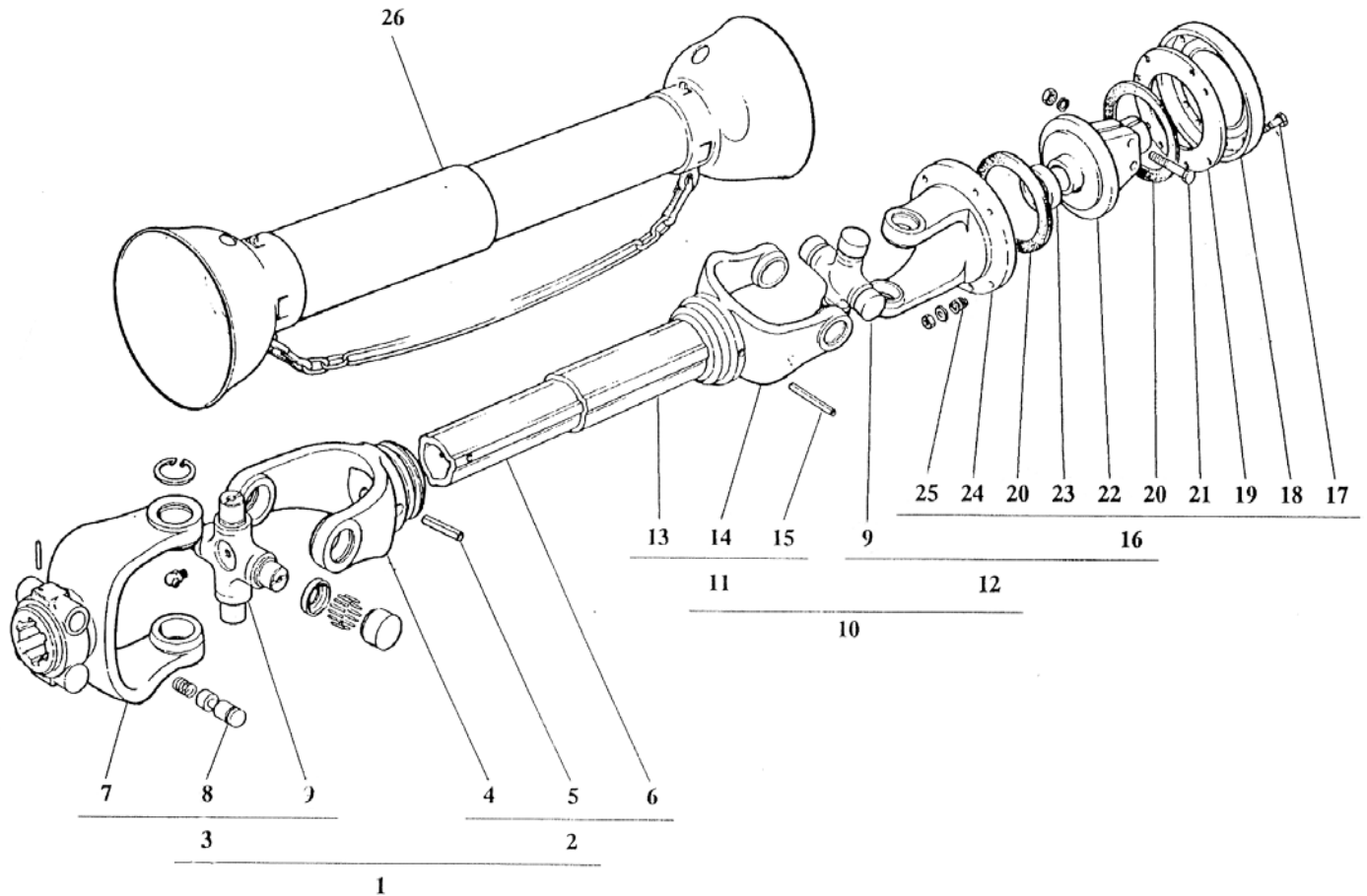



REF. NO.	DESCRIPTION	AFMJ 60/6	AFMJ 70/6
1	Frame	GMP 23003008	GMP 23003011
2	Bolt	GMP 03705106	GMP 03705106
3	Washer	GMP 03820605	GMP 03820605
4	Nut	GMP 03770108	GMP 03770108
5	Hinge	GMP 10715105	GMP 10714504
6	Board	GMP 23009507	GMP 23009510
7	Skid	GMP 20470108	GMP 20470108
8	Bolt	GMP 03704000	GMP 03704000
9	Nut	GMP 03780400	GMP 03780400
10	Gasket	GMP 03954009	GMP 03954009
11	Cover	GMP 20200107	GMP 20200107
12	Bolt	GMP 03706503	GMP 03706503
13	Nut	GMP 03770603	GMP 03770603
14	Plug	GMP 12800708	GMP 12800708
15	Gasket	GMP 03951918	GMP 03951918
16	Plug	GMP 04101802	GMP 04101802
17	Gasket	GMP 03951808	GMP 03951808
18	Plug	GMP 04100104	GMP 04100104
19	Rack	GMP 10421002	GMP 10421002
20	Chain	GMP 03985108	GMP 03985108
21	Bolt	GMP 03702808	GMP 03702808
22	Washer	GMP 03800603	GMP 03800603

REF. NO.	DESCRIPTION	AFMJ 60/6	AFMJ 70/6
23	Washer	GMP 03820401	GMP 03820401
24	Nut	GMP 03770506	GMP 03770506
25	Bolt	GMP 03734304	GMP 03734304
26	Washer	GMP 03820508	GMP 03820508
27	Nut	GMP 03770205	GMP 03770205
28	Bolt	GMP 03735808	GMP 03735808
29	Nut	GMP 03780507	GMP 03780507
30	Guard	GMP 13000503	GMP 13000503
31	Bolt	GMP 03702905	GMP 03702905
32	Pin	GMP 04822705	GMP 04822705
33	Clamp	GMP 11220305	GMP 11220305
34	Washer	GMP 11408503	GMP 11408503
35	Nut	GMP 03771107	GMP 03771107
36	Support	GMP 20400907	GMP 20400907
37	Support	GMP 20403904	GMP 20403904
38	Support	GMP 10551109	GMP 10551109
39	Bolt	GMP 11100704	GMP 11100704
40	Pin	GMP 04820105	GMP 04820105
41	Bolt	GMP 03737000	GMP 03737000
42	Nut	GMP 03780604	GMP 03780604
34	Washer	GMP 03820702	GMP 03820702
44	Shim	GMP 10301207	GMP 10301207

**NOTE: Any bolts, washers, nuts, etc. may be sourced locally**

**AGRIC AFMJ SERIES TILLER - REPLACEMENT PARTS**

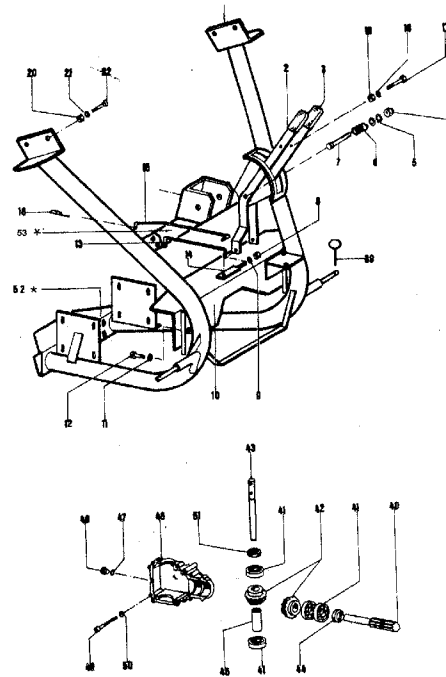
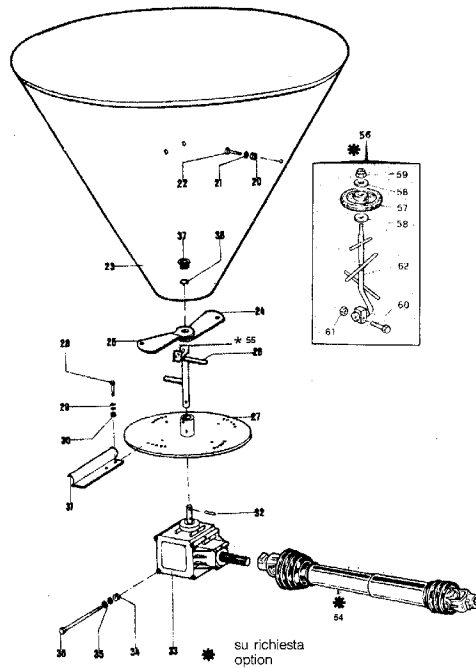


REF. NO.	DESCRIPTION	AFMJ 60/6	AFMJ 70/6
Complete	PTO	GMP 04911003	GMP 04911003
1	PTO ½	GMP 04910017	GMP 04910017
2	PTO ½	GMP 04910020	GMP 04910020
3	Yoke	GMP 04910033	GMP 04910033
4	Yoke	GMP 04903505	GMP 04903505
5	Pin	GMP 04909554	GMP 04909554
6	Tube	GMP 04910046	GMP 04910046
7	Yoke	GMP 04900508	GMP 04900508
8	Pin	GMP 04909457	GMP 04909457
9	U-Joint	GMP 04909457	GMP 04909457
10	PTO ½	GMP 04911058	GMP 04911058
11	PTO ½	GMP 04910062	GMP 04910062
12	Clutch	GMP 04911074	GMP 04911074

REF. NO.	DESCRIPTION	AFMJ 60/6	AFMJ 70/6
13	Tube	GMP 04910088	GMP 04910088
14	Yoke	GMP 04902506	GMP 04902506
15	Pin	GMP 04909651	GMP 04909651
16	Clutch	GMP 04931513	GMP 04931513
17	Bolt	GMP 04909017	GMP 04909017
18	Cover	GMP 04908018	GMP 04908018
19	Disc	GMP 04907019	GMP 04907019
20	Lining	GMP 04906010	GMP 04906010
21	Bolt	GMP 04909318	GMP 04909318
22	Disc	GMP 04904012	GMP 04904012
23	Bushing	GMP 04909211	GMP 04909211
24	Yoke	GMP 04905011	GMP 04905011
25	Spring	GMP 04909114	GMP 04909114
26	Shield	GMP 04930527	GMP 04930527

**NOTE: Any bolts, washers, nuts, etc. may be sourced locally**

## FAZA 3 PT. FERTILIZER SPREADER - REPLACEMENT PARTS

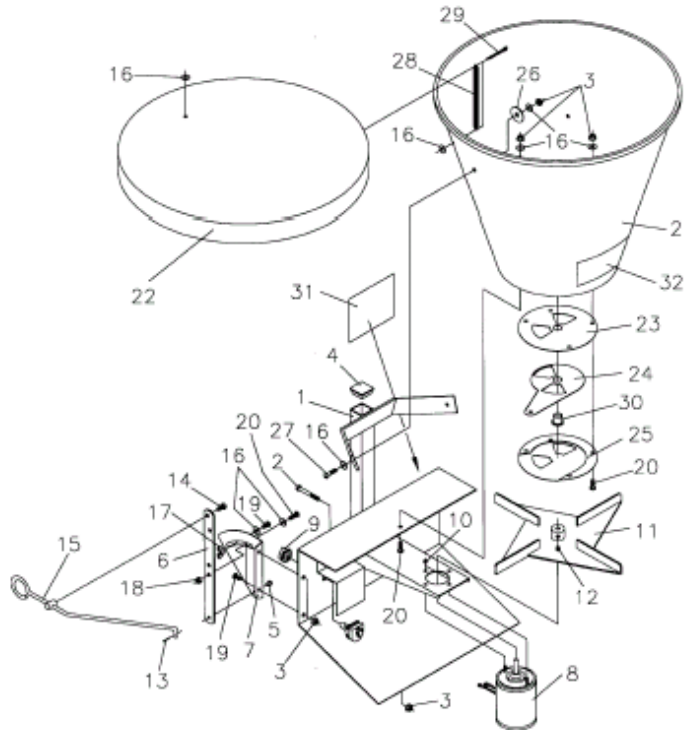


REF. NO.	PART NO.	DESCRIPTION
1	OTM R39 000 201	Main frame
2	OTM R39 000 202	R-lever
3	OTM R39 000 203	L-lever
4	OTM R39 000 204	Self-locking nut
5	OTM R39 000 205	Flat washer
6	OTM R39 000 206	Spring
7	OTM R39 000 207	Lever fulcrum screw
8	OTM R39 000 208	Self-locking nut
9	OTM R39 000 209	Flat washer
10	OTM R39 000 210	Protecting guard
11	OTM R39 000 211	Flat washer
12	OTM R39 000 212	Protecting guard fixing screw
13	OTM R39 000 213	R-connecting rod
14	OTM R39 000 214	Right Lever returning
15	OTM R39 000 215	L-connecting rod
16	OTM R39 000 216	Split pin
17	OTM R39 000 217	Lever blocking screw
18	OTM R39 000 218	Flat washer
19	OTM R39 000 219	Nut
20	OTM R39 000 220	Nut
21	OTM R39 000 221	Flat washer
22	OTM R39 000 222	Fixing screw
23	OTM R39 000 223A	Hopper (FS 100)
23	OTM R39 000 223	Hopper (FS 300)
23	OTM R39 000 223B	Hopper (FS 500)
24	OTM R39 000 224	Left throttle valve

REF. NO.	PART NO.	DESCRIPTION
25	OTM R39 000 225	Right throttle valve
26	OTM R39 000 226	Stirrer, Agitator
27	OTM R39 000 227	Spreading disc
28	OTM R39 000 228	Screw fixing bearings
29	OTM R39 000 229	Flat washer
30	OTM R39 000 230	Nut
31	OTM R39 000 231	Bearing for spreading
32	OTM R39 000 232	Roll pin
33	OTM R39 000 233	Gear Box
34	OTM R39 000 234	Nut
35	OTM R39 000 235	Flat washer
36	OTM R39 000 236	Screw fixing the gear box
37	OTM R39 000 237	Bush for jointed throttle valve
38	OTM R39 000 238	Ring
39	OTM R39 000 239	Click pin
40	OTM R39 000 240	Splined shaft
41	OTM R39 000 241	Ball bearing
42	OTM R39 000 242	Conical gear
43	OTM R39 000 243	Key shaft for spreading disc
44	OTM R39 000 244	Large oil seal
45	OTM R39 000 245	Spacer for ball bearing
46	OTM R39 000 246	Protection guard
47	OTM R39 000 247	Washer
48	OTM R39 000 248	Plug for box
49	OTM R39 000 249	Screw for protection guard
50	OTM R39 000 250	Nut
56	OTM Deluxe Agitator	Agitator

**NOTE: Any bolts, washers, nuts, etc. may be sourced locally**

**ATVK -350, ATVK-370, ATVK-390 - REPLACEMENT PARTS**

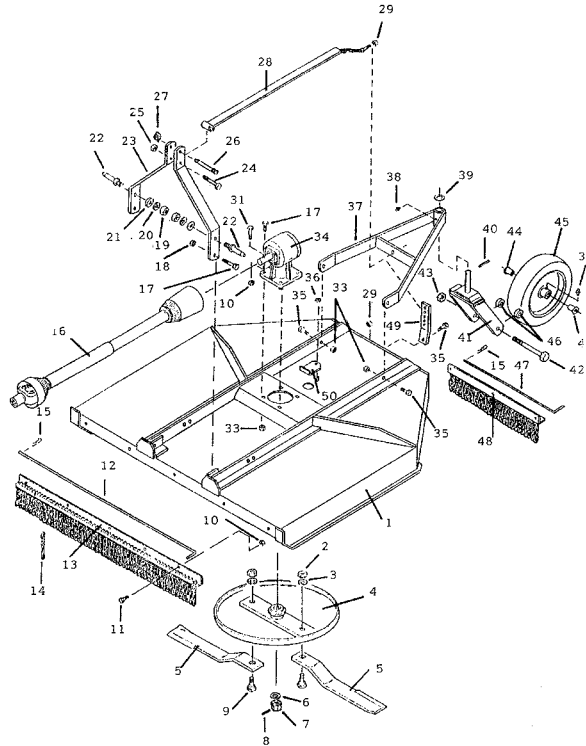


REF. NO.	PART NO.		NO. REQ.
1	GMP 402060	Main Frame Weldment (ATVS-100)	1
2	GMP 2503104	Bolt, 1/4" - 20NC x 2" Hex Head	1
3	GMP 2500008	Nut, 1/4" -20NC Whiz Flange Hex	10
4	GMP 2400038	Cap Plug, Plastic 1 1/4"	1
N/S	GMP 402017	Seal Plate & Lever Assembly (#5 through #7)	1
5	GMP 2504019	Rivet, Button Head 3/16" x 1/4"	1
6	GMP 3450009	Lever, Scale	1
7	GMP 3404019	Scale Plate	1
8	GMP 2401026	Motor, 12V DC	1
9	GMP 2401014	Switch, Rheostat 12V	1
<b>*Wiring Package consists of the following:</b>			
	GMP 2401013	*Terminal, Spade 14Ga. Wire	4
	GMP 2401010	*Connector, Butt #14 Wire	1
NS	GMP 2401011	*Clamp, Battery (Alligator)	2
	GMP 402024	*Wire 14GA. x 3 1/2 Ft. Long	1
	GMP 402025	*Wire 14GA. x 6 Ft. Long	1
10	GMP 2500034	Nut, #10-32NC Hex	2
11	GMP 403421	Fan, Plastic	1
12	GMP 2503042	Set Screw, 5/16" -18NC x 5/16"	2

REF. NO.	PART NO.		NO. REQ.
13	GMP 2504010	Pin, Cotter 3/32" x 1/2"	1
14	GMP 2503027	Bolt, 1/4" -28NF x 1/2" Hex Head	1
15	GMP 402021	Control Rod & Pin Assembly	1
16	GMP 2501006	Washer, 1/4" Flat	13
17	GMP 2500007	Nut, 1/4" -20NC Wing	1
18	GMP 2500006	Nut, 1/4" -20NC Hex Nylock	1
19	GMP 2503008	Bolt, 1/4" -20NC x 1/2" Round Head	
20	GMP 2503014	Bolt, 1/4" -20NC x 3/4" Round Head	6
21	GMP 2401004	Hopper (1 Bushel) & Lid	1
22	GMP 2401005	Lid, Hopper (1 Bushel) Only	1
23	GMP 402050	Seed Plate Support	1
24	GMP 3450008	Middle Plate	1
25	GMP 420510	Lower Plate	1
26	GMP 2501011	Washer, 3/8" Fender	2
27	GMP 2503009	Bolt, 1/4" -20NC x 1" Round Head	2
28	GMP 403305	Spring, Extension	1
29	GMP 2504015	Pin, Cotter 1/8" x 1 1/2"	2
30	GMP 2505003	Bearing, Flanged Bronze 1/2" ID	1
31	GMP 101011	Safety Sign - Spread Chart	1
32	GMP 101022	Safety Sign - Warning (Spinner)	1

**NOTE: Any bolts, washers, nuts, etc. may be sourced locally**

**TEBBEN 40", 4',5' & 6' 3 PT. ECONOMY MOWER - REPLACEMENT PARTS**

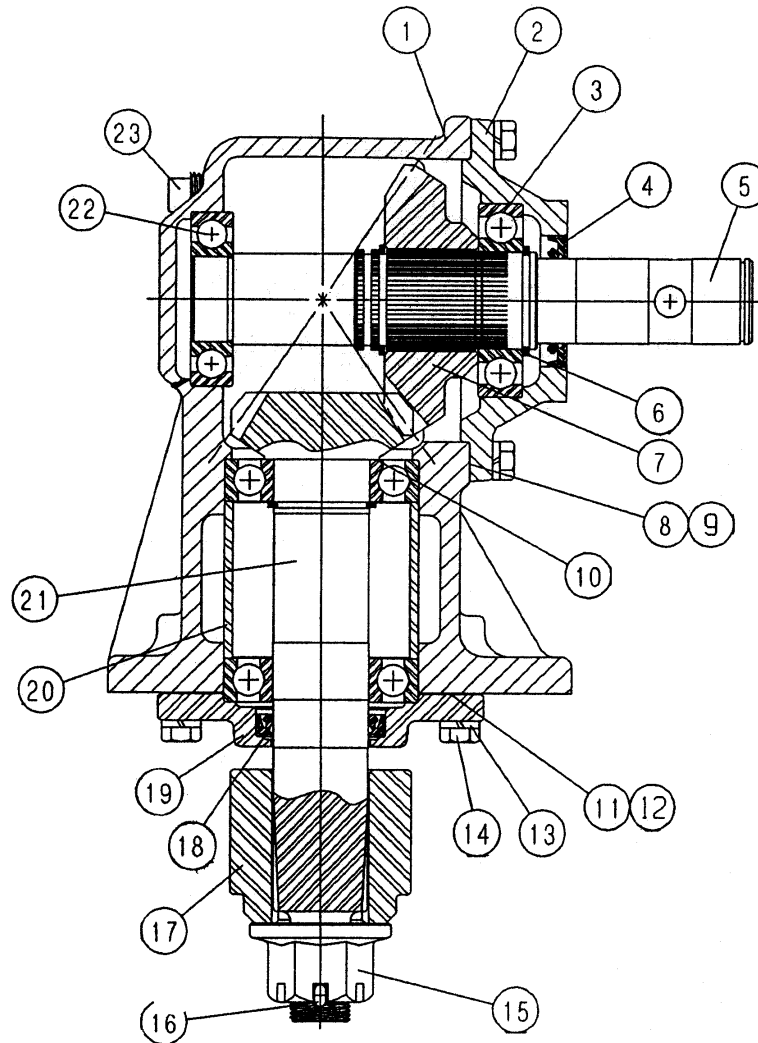


PART NO.	DESCRIPTION	TC96-40	TC96-400	TC96-500	TC96-600
1	Deck	64-40	64-400	64-500	64-600
2	Nut	60-912	60-912	60-912	60-912
3	Washer	60-913	60-913	60-913	60-913
4	Stump Jumper	60-750	60-750	60-750	60-750
5	Bade	64-820	60-914	60-915	60-916
6	Washer	64-660	64-660	64-660	64-660
7	Nut	64-661	64-661	64-661	64-661
8	Cotter Pin	64-662	64-662	64-662	64-662
9	Bolt	60-910	60-910	60-910	60-910
10	Nut	60-903	60-903	60-903	60-903
11	Bolt	60-906	60-906	60-906	60-906
12	Front Chain Rod Guard	64-816	60-884	60-885	60-886
13	Front Chain Guard	64-817	60-864	60-865	60-989
14	Chain	60-869	60-869	60-869	60-869
15	Pin	709	709	709	709
16	Driveline	64-921	60-951	60-956	60-961
17	Bolt	TZ75-00-59	TZ75-00-59	TZ75-00-59	TZ75-00-59
18	Nut	TM76-0043	TM76-0043	TM76-0043	TM76-0043
19	Nut	60-923	60-923	60-923	60-923
20	Washer	60-922	60-922	60-922	60-922
21	Washer	60-921	60-921	60-921	60-921
22	Hitch Pin	60-925	60-925	60-925	60-925
23	3 Point Arm	64-800	64-800	64-800	64-800
24	Bolt	60-924	60-924	60-924	60-924

PART NO.	DESCRIPTION	TC96-40	TC96-400	TC96-500	TC96-600
25	Nut	CT84-141	CT84-141	CT84-141	CT84-141
26	3 Pt. Pin	60-870	60-870	60-870	60-870
27	Pin	TZ75-00-34	TZ75-00-34	TZ75-00-34	TZ75-00-34
28	Strap	64-740	64-748	64-760	64-722
29	Nut	TM 76-00-43	TM 76-00-43	TM 76-00-43	TM 76-00-43
31	Shear Bolt	208300	208300	208300	208300
33	Nylock	60-901	60-901	60-901	60-901
34	Gearbox	60-950	60-950	60-960	60-960
35	Bolt	TZ75-00-216	TZ75-00-216	TZ75-00-216	TZ75-00-216
36	Nut	60-904	60-904	60-904	60-904
37	Wheel	64-720	64-720	64-720	64-720
38	Grease Zerk	60-741	60-741	60-741	60-741
39	Bushing	60-740	60-740	60-740	60-740
40	Pin	60-742	60-742	60-742	60-742
41	Fork	60-700	60-700	60-700	60-700
42	Bolt	60-743	60-743	60-743	60-743
43	Nut	60-749	60-749	60-749	60-749
44	Bushing	60-748	60-748	60-748	60-748
45	Rim & Tire	60-745	60-745	60-745	60-745
46	Spacer	64-747	64-747	64-747	64-747
47	Chain Guard Rod	64-810	64-812	64-814	64-810
48	Chain Guard	64-813	64-813	64-813	64-813
49	Plate	64-805	64-805	64-805	64-805
50	Cover	60-875	60-875	60-875	60-875

**NOTE: Any bolts, washers, nuts, etc. may be sourced locally**

**TEBBEN 40", 4', 5' & 6' 3 PT. ECONOMY MOWER - REPLACEMENT PARTS**



**GEAR BOX PARTS**

REF. NO.	PART NO.	QTY.	DESCRIPTION
1	GMP 18-010	1	Housing
2	GMP 20-007	1	Input Cap
3	GMP 04-003	3	Ball Bearing 208K
4	GMP 05-002	1	Input Shaft Seal
5	GMP 02-010	1	Input Shaft
6	GMP 21-012	3	Retaining Ring
7	GMP 03-001	1	22 Tooth Input Gear TC96-500 TC96-600 TC94-500 TC94-600
	GMP 03-003	1	29 Tooth Input Gear TC96-40 TC96-400 TC94-400
8	GMP 08-004A	Var.	Input Gasket (0.30)
9	GMP 08-004B	Var.	Input Gasket (0.13)
10	GMP 17-004	1	Steel Shim (0.20)
11	GMP 08-005A	Var.	Output Cap Gasket (0.30)
12	GMP 08-005B	Var.	Output Cap Gasket (0.13)

**GEAR BOX PARTS**

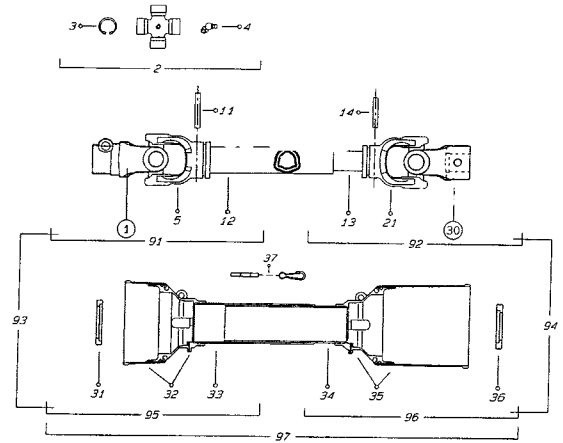
REF. NO.	PART NO.	QTY.	DESCRIPTION
13	GMP 07-001	10	Lockwasher 3/8"
14	GMP 06-008	10	Cap Screw, 3/8" - 16 x 1"
15	GMP 11-008	1	Slotted Flange Hexnut, 1" -14
	GMP 11-007	1	Slotted Hexnut
	GMP 07-005	1	Blade Hub Washer
16	GMP 12-003	1	Cotter Pin
17	GMP 15-001	1	Blade Hub
18	GMP 05-005	1	Output Shaft Seal
19	GMP 20-003	1	Output Cap
20	GMP 10-002	1	Output Bearing Spacer
21	GMP 03-002	1	15 Tooth Output Sft & Pinion TC96-500 TC96-600, TC94-500, TC94-600
	GMP 03-004	1	15 Tooth Output Sft & Pinion TC96-40 TC96-400, TC94-400
22	GMP 04-004	1	Ball Bearing 207K
23	GMP 09-002	1	Oil Fill Plug 1/2"

**NOTE: Any bolts, washers, nuts, etc. may be sourced locally**

**TEBBEN 40", 4', 5' & 6' 3 PT. ECONOMY MOWER - REPLACEMENT PARTS**

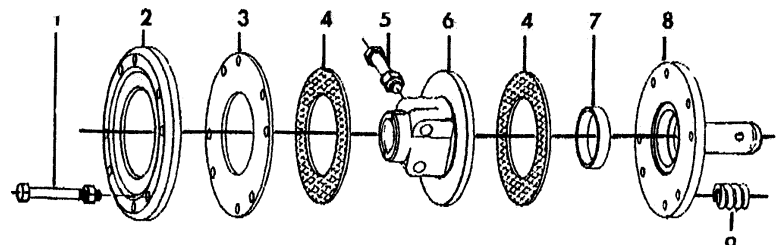
**DRIVELINE PARTS**

REF. NO.	P/N-40", 4'	P/N-5'	P/N-6'	DESCRIPTION
1	0800403	0800403	0800403	Yoke
2	08204	08204	08204	Cross Journal Assy.
3	09802027	09802027	09802027	Circlip
4	09840081002	09840081002	09840081002	Grease Nipple
5	08004021	08004021	08004021	Outer Tube Yoke
11	098700860	098700860	098700860	Flexible Pin
12	09881433470	09881433600	09881433740	Cm. Cardan Tube
13	09881364470	09881364600	09881364740	Cm. Cardan Tube
14	098700855	098700855	098700855	Flexible Pin
21	08004011	08004011	08004011	Inner Tube Yoke
30	0800401K60	0800401K60	080401K60	Yoke
31	0265140005	0265140005	0265140005	O. Bearing 4
32	0256040324	0256040324	0256040324	O. Basic Cones B4
33	0988966B4083	0988966B4096	0988966B4110	Cm. Safety Tube
34	0988961B4083	0988961B4096	0988961B4096	Cm. Safety Tube
35	0256040325L	0256040325L	0256040325L	I. Basic Cones B4
36	0265140006	0265140006	0265140006	I. Bearing 4
37	0252000001	0252000001	0252000001	Chains
51	0986014047	0986014047	0986014047	Complete Push Button
91	B408302	B409602	B411002	Half Shaft
92	B408301K60	B409601L60	B411001K60	Half Shaft
93	B4083E2	B4096E2	B4110E2	Half Shaft
94	B4083E1K60	B4096E1K60	B4110E1K60	Half Shaft
95	083E040832	083E040962	083E041102	Half Safety Guard
96	083E040831L	083E040961L	083E041101L	Half Safety Guard
97	083E04083L	083E04096L	083E04110L	Safety Guard



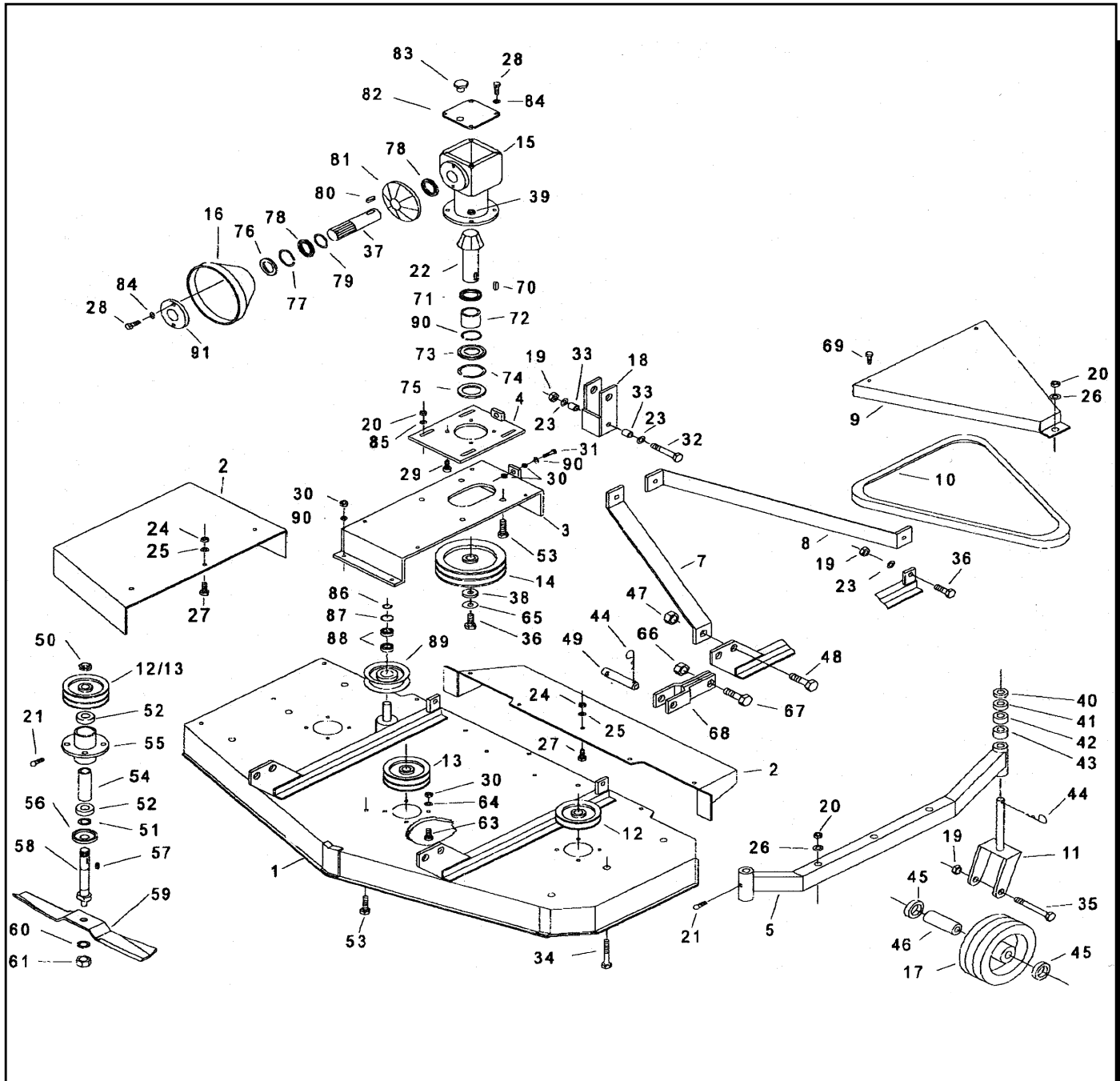
**SLIP CLUTCH**

REF. NO.	P/N	DESCRIPTION
1	1341080 3371080 3660010	Bolt w/nut 10 mm x 80 mm Bolt only 10 mm x 80 mm Nut 10 mm
2	1135007	Pressure Plate - Outer
3	1135008	Pressure Plate - Inner 180 mm
4	1805010	Friction Disc - 140 mm
5	1341270 3371270 3970012 3560012	Bolt w/nut & Washer Bolt only 12 mm x 70 mm Lock Washer 12 mm Nut 12 mm
6	1706308	Hub Smooth 1 3/8"
7	1705009	Sleeve
8	1706309	Sleeve
9	1215012	Tension Spring
n/s	TC94-LC	Complete SlipClutch



**NOTE: Any bolts, washers, nuts, etc. may be sourced locally**

**TECMA FM120, FMR 120, FM150, FMR150, FM180, FMR230 - REPLACEMENT PARTS**



REF. NO.	DESCRIPTION	FM 120	FMR 120	FM 150	FMR 150	FM 180	FMR 180	FMR230
1	Deck	GMP 308000	GMP 308003	GMP 308001	GMP 308004	GMP 308002	GMP 308005	GMP 308006
2	Deflector	GMP 312000	GMP 312003	GMP 312001	GMP 312004	GMP 312002	GMP 312005	GMP 312011
3	Gearbox Support	GMP 603059	GMP 603059	GMP 603059	GMP 603059	GMP 603059	GMP 603059	GMP 603059
4	Plate	GMP 631019	GMP 631019	GMP 631019	GMP 631019	GMP 631019	GMP 631019	GMP 631019

**NOTE: Any bolts, washers, nuts, etc. may be sourced locally**



## TECMA FM120, FMR 120, FM150, FMR150, FM180, FMR230 - REPLACEMENT PARTS

REF. NO.	DESCRIPTION	FM 120	FMR 120	FM 150	FMR 150	FM 180	FMR 180	FMR230
5	Wheel Support	GMP 603053	GMP 603053	GMP 603054	GMP 603054	GMP 603055	GMP 603055	GMP 603054
7	Vertical Rod	GMP 628000	GMP 628000	GMP 628001	GMP 628001	GMP 628001	GMP 628001	GMP 628001
8	Tie Rod	GMP 628003	GMP 628003	GMP 628004	GMP 628004	GMP 628005	GMP 628005	GMP 628005
9	Cover	GMP 629006	GMP 629006	GMP 629007	GMP 629007	GMP 629008	GMP 629008	GMP 629010
10	Belt	GMP 542002	GMP 542002	GMP 542003	GMP 542003	GMP 542004	GMP 542004	GMP 542005
11	Fork	GMP 532004	GMP 532004	GMP 532004	GMP 532004	GMP 532004	GMP 532004	GMP 532004
12	Pulley	GMP 600016	GMP 600016	GMP 600016	GMP 600016	GMP 600016	GMP 600016	GMP 600016
13	Pulley	GMP 600017	GMP 600017	GMP 600017	GMP 600017	GMP 600017	GMP 600017	GMP 600017
14	Pulley	GMP 600018	GMP 600018	GMP 600019	GMP 600019	GMP 600020	GMP 600020	GMP 600019
15	Housing	GMP 314038	GMP 314038	GMP 314038	GMP 314038	GMP 314038	GMP 314038	GMP 314038
16	Cover	GMP 304031	GMP 304031	GMP 304031	GMP 304031	GMP 304031	GMP 304031	GMP 304031
17	Wheel	GMP 513011	GMP 513011	GMP 513011	GMP 513011	GMP 513011	GMP 513011	GMP 513011
18	Support	GMP 540001	GMP 540001	GMP 540001	GMP 540001	GMP 540001	GMP 540001	GMP 540001
19	Nut 12 mm	GMP 301001	GMP 301001	GMP 301001	GMP 301001	GMP 301001	GMP 301001	GMP 301001
20	Nut 10 mm	GMP 301017	GMP 301017	GMP 301017	GMP 301017	GMP 301017	GMP 301017	GMP 301017
21	Grease Zerk	GMP 306000	GMP 306000	GMP 306000	GMP 306000	GMP 306000	GMP 306000	GMP 306000
22	Shaft	GMP 323076	GMP 323076	GMP 323076	GMP 323076	GMP 323076	GMP 323076	GMP 323076
23	Shim 12 mm	GMP 303001	GMP 303001	GMP 303001	GMP 303001	GMP 303001	GMP 303001	GMP 303001
24	Nut 8 mm	GMP 301003	GMP 301003	GMP 301003	GMP 301003	GMP 301003	GMP 301003	GMP 301003
25	Shim 8 x 22 mm	GMP 303044	GMP 303044	GMP 303044	GMP 303044	GMP 303044	GMP 303044	GMP 303044
26	Shim 10 x 20 mm	GMP 303045	GMP 303045	GMP 303045	GMP 303045	GMP 303045	GMP 303045	GMP 303045
27	Screw 8 x 22 mm	GMP 300142	GMP 300142	GMP 300142	GMP 300142	GMP 300142	GMP 300142	GMP 300142
28	Screw 8 x 10 mm	GMP 300163	GMP 300163	GMP 300163	GMP 300163	GMP 300163	GMP 300163	GMP 300163
29	Screw 14 x 45 mm	GMP 300155	GMP 300155	GMP 300155	GMP 300155	GMP 300155	GMP 300155	GMP 300155
30	Nut 10 mm	GMP 301000	GMP 301000	GMP 301000	GMP 301000	GMP 301000	GMP 301000	GMP 301000
31	Screw 10 x 90 mm	GMP 300156	GMP 300156	GMP 300156	GMP 300156	GMP 300156	GMP 300156	GMP 300156
32	Screw 12 x 100 mm	GMP 300138	GMP 300138	GMP 300138	GMP 300138	GMP 300138	GMP 300138	GMP 300138
33	Spacer	GMP 329028	GMP 329028	GMP 329028	GMP 329028	GMP 329028	GMP 329028	GMP 329028
34	Screw 10 x 80 mm	GMP 300129	GMP 300129	GMP 300129	GMP 300129	GMP 300129	GMP 300129	GMP 300129
35	Bolt 12 x 110 mm	GMP 300140	GMP 300140	GMP 300140	GMP 300140	GMP 300140	GMP 300140	GMP 300140
36	Bolt 12 x 35mm	GMP 300027	GMP 300027	GMP 300027	GMP 300027	GMP 300027	GMP 300027	GMP 300027
37	Shaft	GMP 323075	GMP 323075	GMP 323075	GMP 323075	GMP 323075	GMP 323075	GMP 323075
38	Shim	GMP 303061	GMP 303061	GMP 303061	GMP 303061	GMP 303061	GMP 303061	GMP 303061
39	Nut 14 mm	GMP 301014	GMP 301014	GMP 301014	GMP 301014	GMP 301014	GMP 301014	GMP 301014
40	Spacer 6mm	GMP 329029	GMP 329029	GMP 329029	GMP 329029	GMP 329029	GMP 329029	GMP 329029
41	Spacer 12 mm	GMP 329030	GMP 329030	GMP 329030	GMP 329030	GMP 329030	GMP 329030	GMP 329030
42	Spacer 25 mm	GMP 329031	GMP 329031	GMP 329031	GMP 329031	GMP 329031	GMP 329031	GMP 329031
43	Spacer 31 mm	GMP 329032	GMP 329032	GMP 329032	GMP 329032	GMP 329032	GMP 329032	GMP 329032
44	Spring Clip	GMP 318002	GMP 318002	GMP 318002	GMP 318002	GMP 318002	GMP 318002	GMP 318002
45	Spacer	GMP 329042	GMP 329042	GMP 329042	GMP 329042	GMP 329042	GMP 329042	GMP 329042
46	Bushing	GMP 341081	GMP 341081	GMP 341081	GMP 341081	GMP 341081	GMP 341081	GMP 341081
47	Nut 18 mm	GMP 301029	GMP 301029	GMP 301029	GMP 301029	GMP 301029	GMP 301029	GMP 301029
48	Bolt	GMP 300143	GMP 300143	GMP 300143	GMP 300143	GMP 300143	GMP 300143	GMP 300142
49	Pin	GMP 325027	GMP 325027	GMP 325027	GMP 325027	GMP 325027	GMP 325027	GMP 325027
50	Nut	GMP 301027	GMP 301027	GMP 301027	GMP 301027	GMP 301027	GMP 301027	GMP 301027
51	Shim 24 mm	GMP 303066	GMP 303066	GMP 303066	GMP 303066	GMP 303066	GMP 303066	GMP 303066

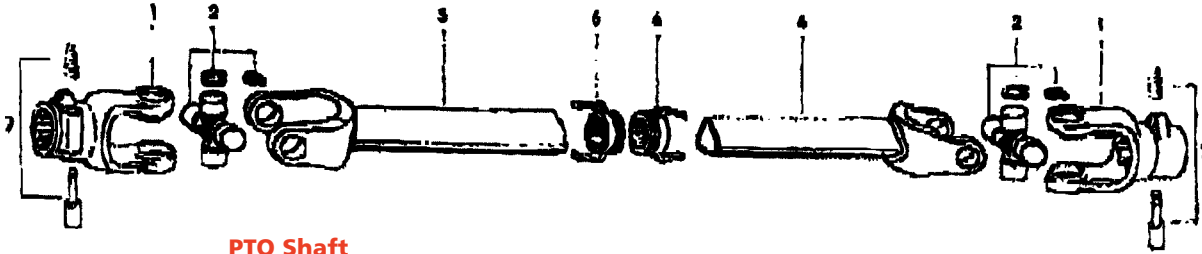
**NOTE: Any bolts, washers, nuts, etc. may be sourced locally**

**TECMA FM120, FMR 120, FM150, FMR150, FM180, FMR230 - REPLACEMENT PARTS**

REF. NO.	DESCRIPTION	FM 120	FMR 120	FM 150	FMR 150	FM 180	FMR 180	FMR230
52	Bearing	GMP 310008	GMP 310008	GMP 310008	GMP 310008	GMP 310008	GMP 310008	GMP 310008
53	Bolt	GMP 300139	GMP 300139	GMP 300139	GMP 300139	GMP 300139	GMP 300139	GMP 300139
54	Spacer	GMP 329038	GMP 329038	GMP 329038	GMP 329038	GMP 329038	GMP 329038	GMP 329038
55	Support	GMP 807001	GMP 807001	GMP 807001	GMP 807001	GMP 807001	GMP 807001	GMP 807001
56	Disc	GMP 506003	GMP 506003	GMP 506003	GMP 506003	GMP 506003	GMP 506003	GMP 506003
57	Key	GMP 326008	GMP 326008	GMP 326008	GMP 326008	GMP 326008	GMP 326008	GMP 326008
58	Shaft	GMP 323072	GMP 323072	GMP 323072	GMP 323072	GMP 323072	GMP 323072	GMP 323072
59	Blade	GMP 636001	GMP 636001	GMP 636002	GMP 636002	GMP 636003	GMP 636003	GMP 636002
60	Shim 18 mm	GMP 303064	GMP 303064	GMP 303064	GMP 303064	GMP 303064	GMP 303064	GMP 303064
61	Nut 18 mm	GMP 301041	GMP 301041	GMP 301041	GMP 301041	GMP 301041	GMP 301041	GMP 301041
62	Bolt 10 x 30 mm	GMP 300139	GMP 300139	GMP 300139	GMP 300139	GMP 300139	GMP 300139	GMP 300139
63	Bolt 10 x 25 mm	GMP 300005	GMP 300005	GMP 300005	GMP 300005	GMP 300005	GMP 300005	GMP 300005
64	Shim 10 mm	GMP 302002	GMP 302002	GMP 302002	GMP 302002	GMP 302002	GMP 302002	GMP 302002
65	Shim 12 mm	GMP 302001	GMP 302001	GMP 302001	GMP 302001	GMP 302001	GMP 302001	GMP 302001
66	Nut 20 mm	GMP 301030	GMP 301030	GMP 301030	GMP 301030	GMP 301030	GMP 301030	GMP 301030
67	Bolt 20 x 55 mm	GMP 300144	GMP 300144	GMP 300144	GMP 300144	GMP 300144	GMP 300144	GMP 300144
68	Hitch	GMP 632006	GMP 632006	GMP 632006	GMP 632006	GMP 632006	GMP 632006	GMP 632006
69	Bolt 10 x 16 mm	GMP 300157	GMP 300157	GMP 300157	GMP 300157	GMP 300157	GMP 300157	GMP 300157
70	Key	GMP 326012	GMP 326012	GMP 326012	GMP 326012	GMP 326012	GMP 326012	GMP 326012
71	Bearing	GMP 310031	GMP 310031	GMP 310031	GMP 310031	GMP 310031	GMP 310031	GMP 310031
72	Spacer	GMP 329041	GMP 329041	GMP 329041	GMP 329041	GMP 329041	GMP 329041	GMP 329041
73	Bearing	GMP 310032	GMP 310032	GMP 310032	GMP 310032	GMP 310032	GMP 310032	GMP 310032
74	Snap Ring	GMP 313028	GMP 313028	GMP 313028	GMP 313028	GMP 313028	GMP 313028	GMP 313028
75	Seal	GMP 309016	GMP 309016	GMP 309016	GMP 309016	GMP 309016	GMP 309016	GMP 309016
76	Seal	GMP 309017	GMP 309017	GMP 309017	GMP 309017	GMP 309017	GMP 309017	GMP 309017
77	Snap Ring	GMP 313034	GMP 313034	GMP 313034	GMP 313034	GMP 313034	GMP 313034	GMP 313034
78	Bearing	GMP 310813	GMP 310813	GMP 310813	GMP 310813	GMP 310813	GMP 310813	GMP 310813
79	Spacer	GMP 346020	GMP 346020	GMP 346020	GMP 346020	GMP 346020	GMP 346020	GMP 346020
80	Key	GMP 326011	GMP 326011	GMP 326011	GMP 326011	GMP 326011	GMP 326011	GMP 326011
81	Crown	GMP 325011	GMP 325011	GMP 325011	GMP 325011	GMP 325011	GMP 325011	GMP 325011
82	Cover	GMP 515013	GMP 515013	GMP 515013	GMP 515013	GMP 515013	GMP 515013	GMP 515013
83	Oil cap	GMP 317005	GMP 317005	GMP 317005	GMP 317005	GMP 317005	GMP 317005	GMP 317005
84	Shim 8 mm	GMP 303000	GMP 303000	GMP 303000	GMP 303000	GMP 303000	GMP 303000	GMP 303000
85	Shim 10 mm	GMP 303007	GMP 303007	GMP 303007	GMP 303007	GMP 303007	GMP 303007	GMP 303007
86	Snap Ring	GMP 313036	GMP 313036	GMP 313036	GMP 313036	GMP 313036	GMP 313036	GMP 313036
87	Snap Ring	GMP 313037	GMP 313037	GMP 313037	GMP 313037	GMP 313037	GMP 313037	GMP 313037
88	Bearing	GMP 310034	GMP 310034	GMP 310034	GMP 310034	GMP 310034	GMP 310034	GMP 310034
89	Pulley	GMP 600022	GMP 600022	GMP 600022	GMP 600022	GMP 600022	GMP 600022	GMP 600022
90	Snap Ring	GMP 313038	GMP 313038	GMP 313038	GMP 313038	GMP 313038	GMP 313038	GMP 313038
91	Plate	GMP 802037	GMP 802037	GMP 802037	GMP 802037	GMP 802037	GMP 802037	GMP 802037
PTO Shaft		GMP 311002	GMP 311002	GMP 311002	GMP 311002	GMP 311002	GMP 311002	GMP 311002
Gear Box		GMP 315022	GMP 315022	GMP 315022	GMP 315022	GMP 315022	GMP 315022	GMP 315022
Complete Spindle		GMP 603049	GMP 603049	GMP 603049	GMP 603049	GMP 603049	GMP 603049	GMP 603049
Wheel Spacer Kit		GMP 653000	GMP 653000	GMP 653000	GMP 653000	GMP 653000	GMP 653000	GMP 653000

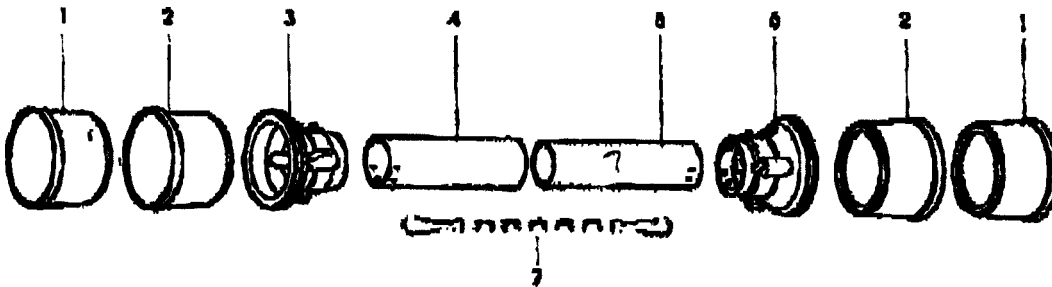
**NOTE: Any bolts, washers, nuts, etc. may be sourced locally**

**TECMA FM120, FMR 120, FM150, FMR150, FM180, FMR230- REPLACEMENT PARTS**



**PTO Shaft**

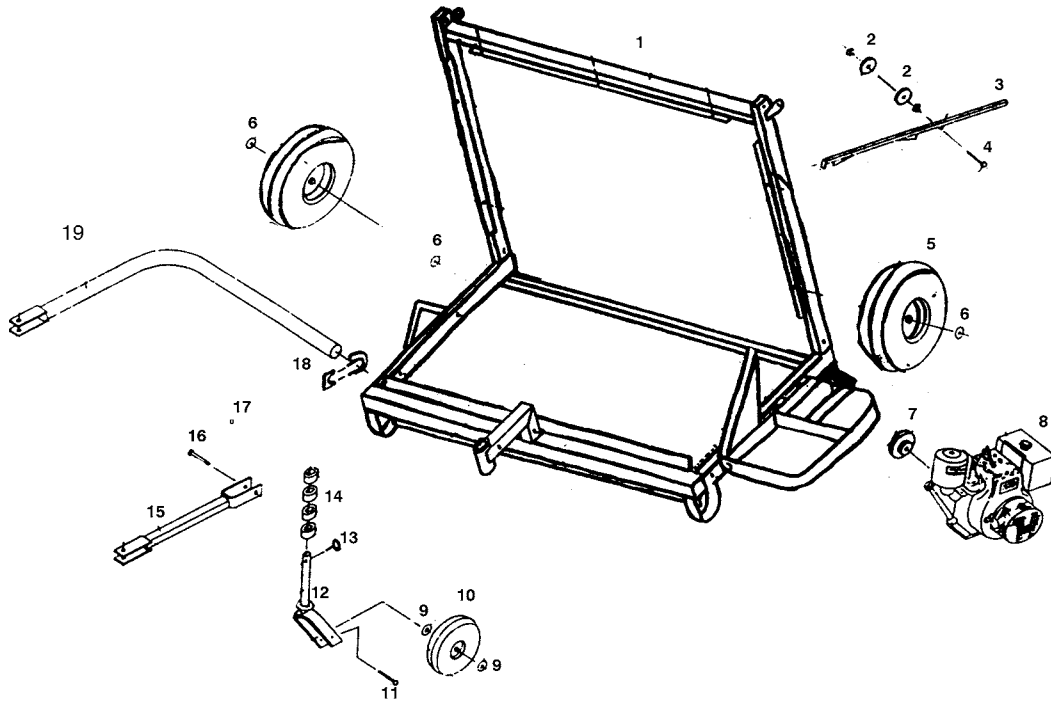
REF. NO.	PART NO.	DESCRIPTION
1	GMP BIN001	Yoke
2	GMP BIN002	U-Joint
3	GMP BIN003	Yoke & Tube
4	GMP BIN004	Yoke & Tube
5	GMP BIN005	PTO Bearing
6	GMP BIN006	PTO Bearing
7	GMP BIN007	Quick Release Pin



REF. NO.	PART NO.	DESCRIPTION
1	GMP BIN008	Bell End
2	GMP BIN009	Bell End
3	GMP BIN010	PTO End Shield
4	GMP BIN011	Shield Tube
5	GMP BIN012	Shield Tube
6	GMP BIN013	PTO End Shield
7	GMP BIN014	Chain

**NOTE: Any bolts, washers, nuts, etc. may be sourced locally**

**WESTWARD LS41 LAWN SWEEP - REPLACEMENT PARTS**



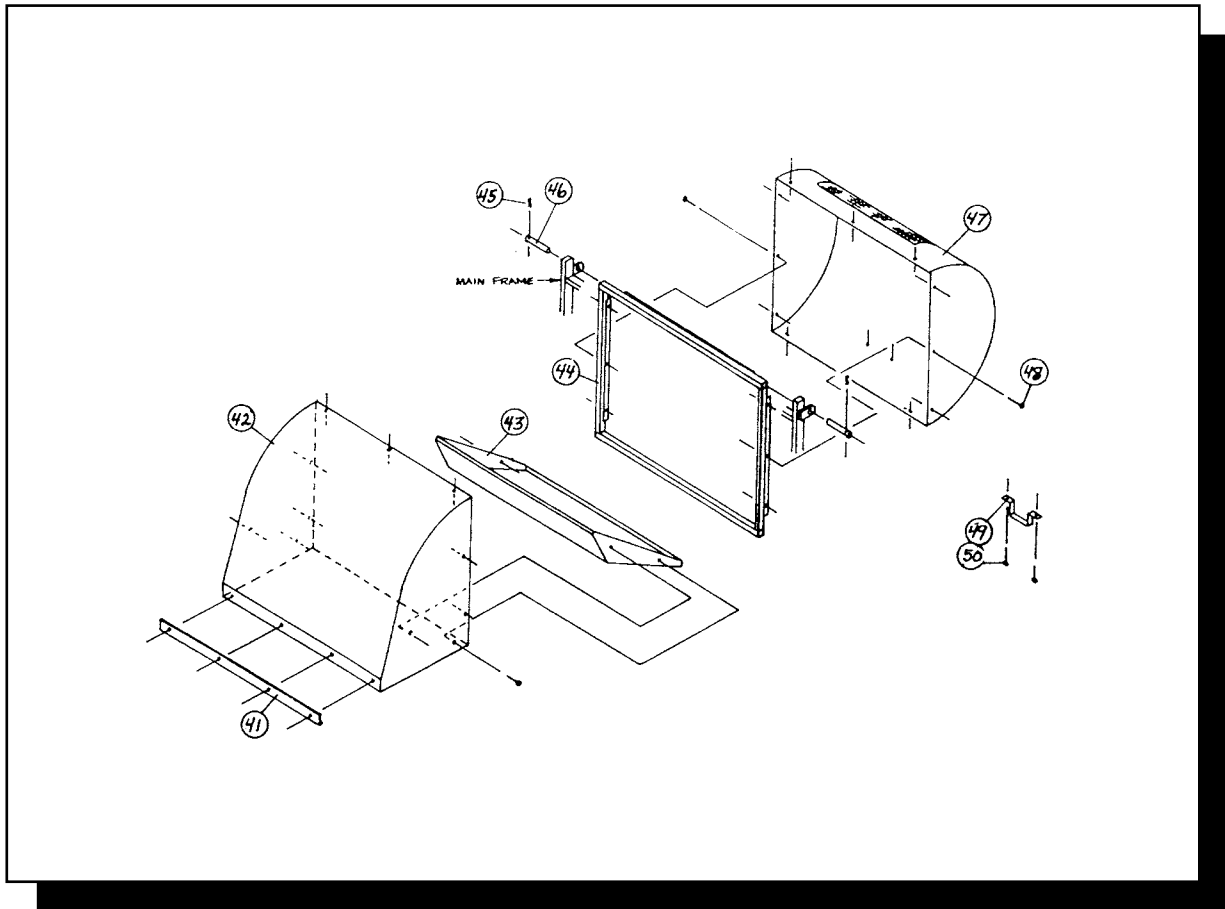
8a

REF. NO.	PART NO.	QUANTITY	DESCRIPTION
1	GMP JTL023	1	main frame
2	GMP JTL 024	2	support washer
3	GMP JTL 025	1	locking lever
4	GMP 79171	1	7/16 x 3 bolt
5	GMP 79058	2	rear wheel
6	GMP 79113	2	bushing
7	GMP J298323	1	pulley
8	GMP 79022	1	4 HP gas engine
8a	WSS 78477	1	5 HP gas engine
9	GMP 79006	2	spacer
10	GMP J402300	1	caster wheel

REF. NO.	PART NO.	QUANTITY	DESCRIPTION
11	GMP 79171	1	1/2 x 4-1/2 bolt
12	GMP JTL015	1	caster wheel fork
13	GMP 79112	1	hair pin
14	GMP JTL013	4	1" bushing
15	GMP JTL007	1	tongue
16	GMP 79170	1	1/2 x 2 1/2 bolt
17	GMP 79145	2	1/2" locknut
18	GMP JTL011	1	offset tongue clamp
19	GMP JTL001	1	offset tongue
20	GMP J343075	2	snap ring

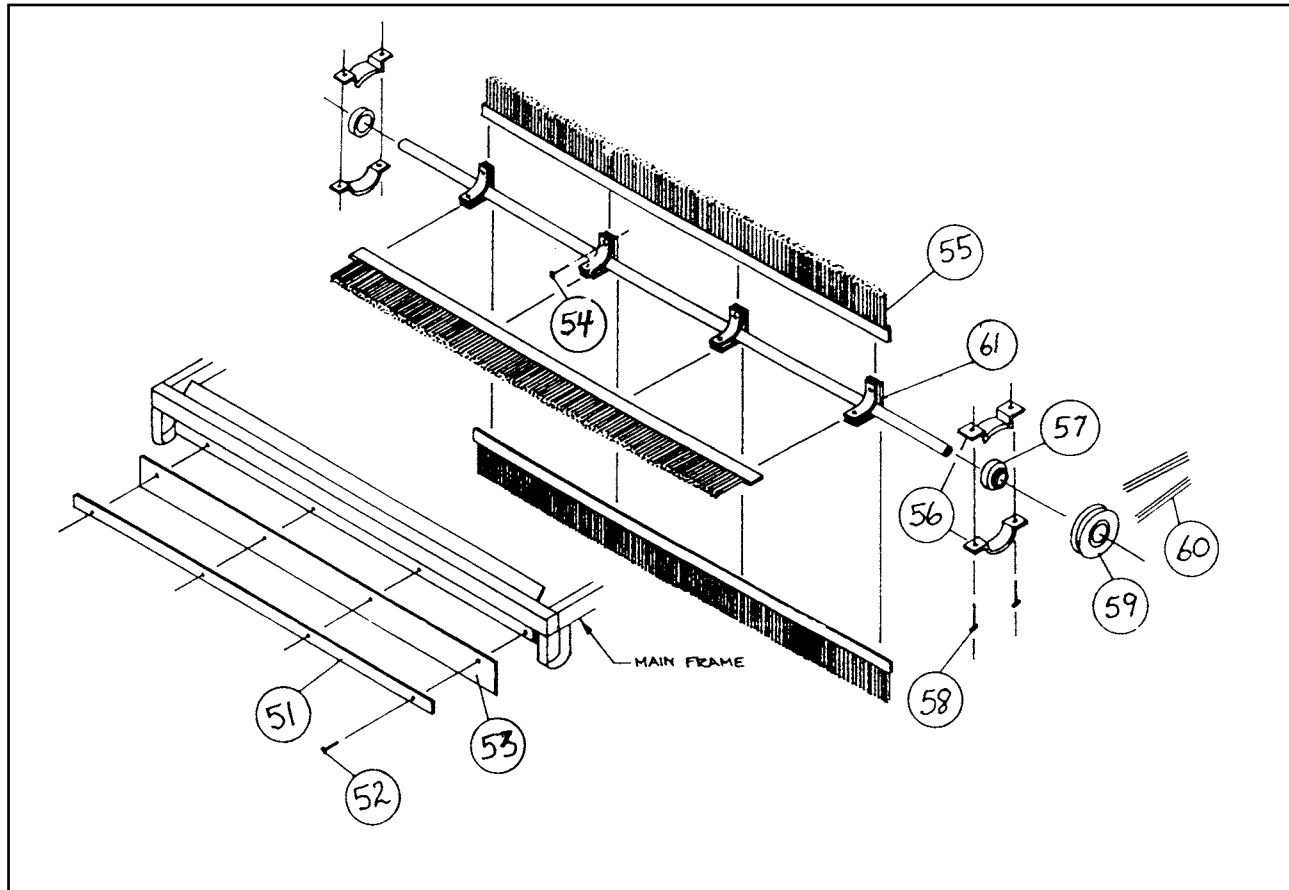
**NOTE: Any bolts, washers, nuts, etc. may be sourced locally**

# WESTWARD LS41 LAWN SWEEP - REPLACEMENT PARTS



REF. NO.	PART NO.	QUANTITY	DESCRIPTION
41	GMP JTL041	1	front shroud retainer
42	GMP JTL042	1	deflection shroud
43	GMP JTL043	1	baffle
44	GMP JTL044	1	rear hatch frame
45	GMP 79070	2	cotter pin
46	GMP JTL046	2	hatch hinge pin
47	GMP JTL047	1	rear hatch
48	GMP J322077	23	#14 x 5/8" hex washer head metal screw
49	GMP JTL049	1	hatch handle
50	GMP 79127	14	1/4" x 3/4" NC bolt
	GMP J387550	24	1/4" fender washer
	GMP 79178	26	1/4" nut-lock NC

**WESTWARD LS41 LAWN SWEEP - REPLACEMENT PARTS**

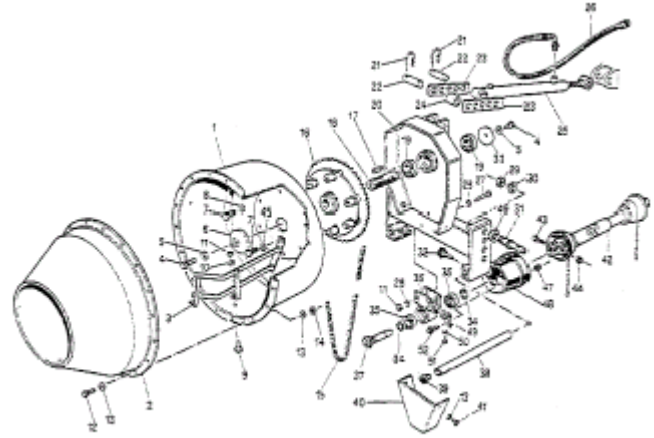


REF. NO.	PART NO.	QUANTITY	DESCRIPTION
51	GMP JTL051	1	apron retainer
52	GMP 79098	4	1/4" x 1" NC bolt
	GMP 79090	4	1/4" flat washer
53	GMP JTL053	1	apron
54	GMP 79098	16	1/4" x 1" NC bolt
	GMP 79178	26	1/4" nut-lock NC
55	GMP J600210	3	brush strip
56	GMP J109005	2	pillow block
57	GMP J089100	2	bearing
58	GMP 79123	4	5/16" x 3" NC bolt
	GMP 79101	4	5/16" flat washer
	GMP 79069	4	5/16" lock washer
	GMP 79068	4	5/16" NC nut
59	GMP JTL059	1	drive pulley
60	GMP J111030	1	drive belt
61	GMP JTL061	1	brush shaft w\brackets

**NOTE: Any bolts, washers, nuts, etc. may be sourced locally**

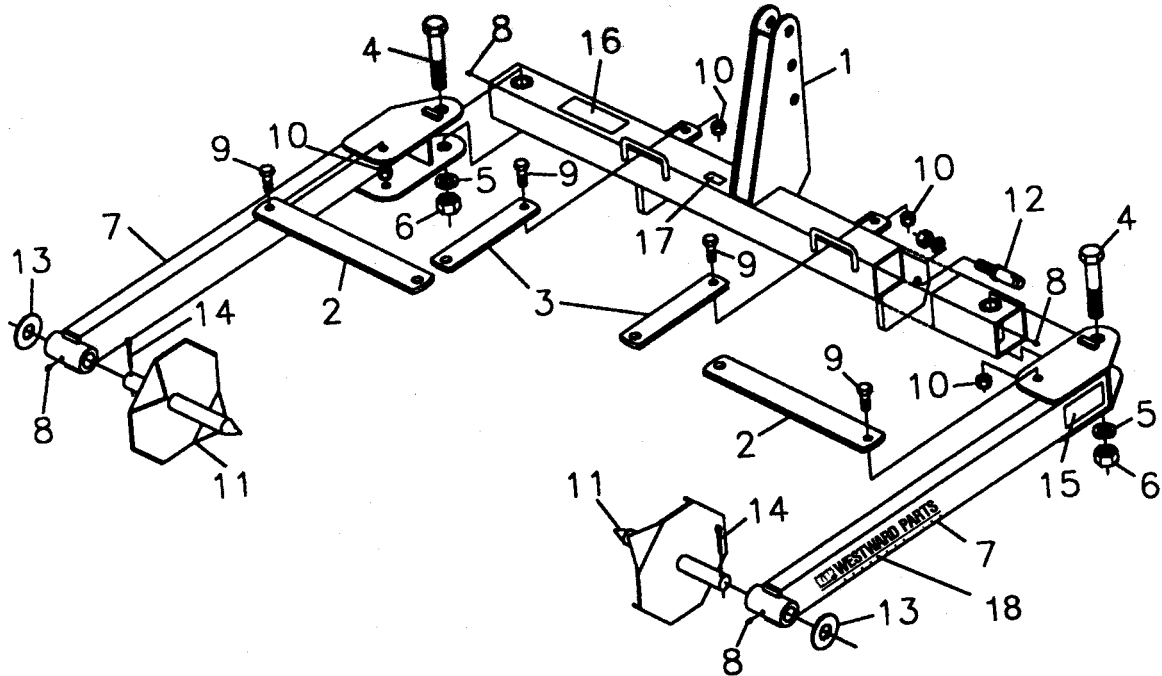
# MODEL 580 CEMENT MIXER - REPLACEMENT PARTS

REF. NO.	PART NO.	DESCRIPTION	NO. REQ.
1	GMP 780621	Drum, Main	1
2	GMP 780622	Drum, Cone	1
3	GMP 780623	Paddle, Mixing	3
4	GMP 2503277	Bolt, M14 x 30 Gr. 8.8 Hex Head	2
5	GMP 2502021	Washer, M14 External Star	2
6	GMP 780627	Washer, Inner	1
7	GMP 2503269	Bolt, M12 x 25 Gr. 8.8 Hex Head	6
8	GMP 2501027	Washer, M12 Flat	3
9	GMP 2503269	Bolt, M12 x 25 Gr. 8.8 Hex Head	6
10	GMP 2501027	Washer, M12 Flat	6
11	GMP 2500086	Nut, M12 Hex	8
12	GMP 2503278	Bolt, M8 x 16 Gr. 8.8 Hex Head	18
13	GMP 2501029	Washer, M8 Flat	36
14	GMP 2500088	Nut, M8 Hex	18
15	GMP 780624	Chain, #40 (142 Pitches)	1
16	GMP 780625	Sprocket Assembly, Drum	1
17	GMP 780626	Key, 14 x 9 x 50 mm	1
18	GMP 780628	Shaft, Drum	1
19	GMP 780629	Bearing, Ball 6209-2RS	2
20	GMP 780630	Frame	1
21	GMP 780631	Cotter Pin	4
22	GMP 780632	Pin, Cylinder	2
23	GMP 780633	Bar, Cylinder Attachment	2
24	GMP 780634	Bushing, Cylinder	1
25	GMP 780635	Cylinder, Hydraulic-Toplink	1
26	GMP 780636	Hose, Hydraulic	1
27	GMP 2503279	Bolt, M10 x 90 Gr. 8.8 Hex Head	2
28	GMP 2502019	Washer, M10 x 30	4
29	GMP 2500089	Nut, M24 Springlock	2
30	GMP 2502022	Washer, M24 Springlock	2
31	GMP 780637	Pin, Pull	2
32	GMP 780638	Knob, M8 x 20	2
33	GMP 780639	Washer, Drum Shaft Retainer	1



REF. NO.	PART NO.	DESCRIPTION	NO. REQ.
34	GMP 780640	Snap Ring, E D 30	2
35	GMP 780641	Bearing, Ball 6200-2RS	2
36	GMP 780642	Support, Drive Shaft	1
37	GMP 780643	Shaft, Drive w/Sprocket	1
38	GMP 780644	Tube, Stand	2
39	GMP 780645	Plug, Stand Tube	2
40	GMP 780646	Guard, Drive Shaft	1
41	GMP 2503278	Bolt, M8 x 16 Gr. 8.8 Hex Head	2
42	GMP 780647	PTO Shaft "CE" Standard	1
43	GMP 2503280	Bolt, M10 x 50 Socket Head	1
44	GMP 2500090	Nut, M10 Nylock Hex	1
45	GMP 2501027	Washer, M12 x 30 Flat	3
46	GMP 2501026	Washer, M24 Flat	2
47	GMP 2500091	Nut, M8 Whiz Flange Hex	2
48	GMP 780648	Guard, PTO Guard	1
49	GMP 780649	Support, PTO Guard	2
50	GMP 2501029	Washer, M8 Flat	2
51	GMP 2503278	Bolt, M8 x 16 Gr. 8.8 Hex Head	2
52	GMP 2503281	Bolt, M8 x 20 Gr. 8.8 Hex Head	2
N/S	GMP 780776	Masterlink, #40 Chain	1

**WESTWARD 3 PT. BALE HANDLER/UNROLLER**



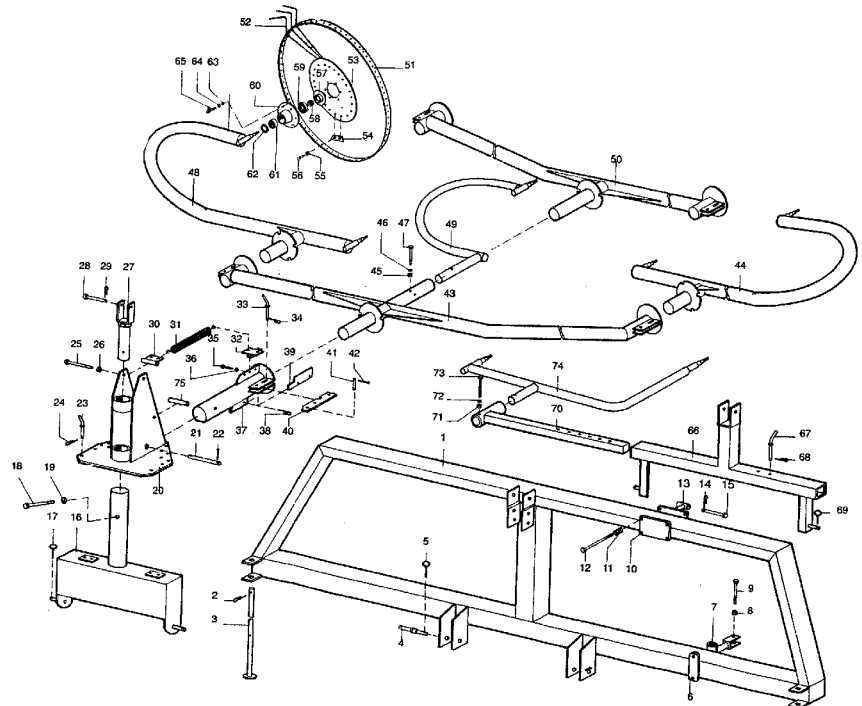
REF. NO.	PART NO.	DESCRIPTION	NO. REQ.
1	GMP 831349	Main Frame Weldment	1
2	GMP 831341	Push Arm	2
3	GMP 831342	Cylinder Pivot Arm	2
4	GMP 520750	Bolt, 1 1/4" + 7NC x 7 1/2" Hex Head	2
5	GMP LW1-1/4	Washer, 1 1/4" Springlock	2
6	GMP FN1-1/4	Nut, 1 1/4" - 7NC Full Hex	2
7	GMP 831350	Clamp Arm Weldment	2
8	GMP 822	Drive Zerk, 5/16"	4
9	GMP 512200	Bolt, 3/4" - 10NC x 2" Hex Head	4
10	GMP LN-3/4	Nut, 3/4" - 10NC Hex Nylock	4
11	GMP 831324	Spike Weldment	2
12	GMP 200	Draw Pin (AK-2118)	2
13	GMP FW1-5/8	Washer, 1 5/8" Flat	2
14	GMP 1507	Cotter Pin, 1/4" x 2 1/2"	2
15	GMP 720101	Decal - Warning -(Stand Clear)	2
16	GMP 430101	Decal - Caution (Hay Equipment)	1
17	GMP 140101	Decal - Notice (2000 Lb. Capacity)	1

**NOTE: Any bolts, washers, nuts, etc. may be sourced locally**



## WESTWARD PULLTYPE &amp; 3 PT. HAY RAKE - REPLACEMENT PARTS

PART NO.	REF. NO.	DESCRIPTION
OTM MAC1A001	1	Main frame for RP 8
OTM MAC1A011	1	Main Frame for RP 10
OTM MAC 1A111	1	Main Frame for RP 12
OTM MAC1A002	2	Parking Stand
OTM MAC1A003	3	Split Pin
OTM MAC 1A004	4	Linkage Pin
OTM MAC1A005	5	Spring Split
OTM MAC1A006	6	Counter Plate
OTM MAC1A007	7	Lower Linkage
OTM MAC1A008	8	Nut
OTM MAC1A009	9	Bolt
OTM MAC1A010	10	3 Pt. Base Plate
OTM MAC1A011	11	Nut
OTM MAC1A012	12	Bolt
OTM MAC1A013	13	Upper Linkage
OTM MAC1A014	14	Split Pin
OTM MAC1A015	15	3 Pt. Pin
OTM MAC1A016	16	3 Point Linkage
OTM MAC1A005	17	Spring Split
OTM MAC1A018	18	Screw
OTM MAC1A011	19	Nut
OTM MAC1A020	20	Sector Plate
OTM MAC1A021	21	Pin
OTM MAC1A022	22	Split Pin
OTM MAC1A023	23	Sector Stop Pin
OTM MAC 1A024	24	R Shaped Split
OTM MAC1A025	25	Bolt
OTM MAC1A011	26	Nut
OTM MAC1A027	27	3rd Point
OTM MAC1A028	28	Pin
OTM MAC1A014	29	Split Pin
OTM MAC1A030	30	Spring Upper Linkage
OTM MAC1A031	31	Spring
OTM MAC1A032	32	Spring Lower Linkage
OTM MAC1A033	33	Pin
OTM MAC1A034	34	R Shaped Pin
OTM MAC1A035	35	Screw
OTM MAC1A036	36	Nut
OTM MAC1A037	37	Floating Arm
OTM MAC1A003	38	Split Pin
OTM MAC1A039	39	Arm Locking Device
OTM MAC1A040	40	Stop Plate
OTM MAC1A041	41	Pin
OTM MAC1A003	42	Split Pin
OTM MAC1A043	43	RP 5 Main Pipe
OTM MAC1A043A	43	RP 6 Main Pipe
OTM MAC1A044	44	Left Hand Wheel Arm
OTM MAC1A045	45	Nut
OTM MAC1A046	46	Spring Washer
OTM MAC1A047	47	Bolt
OTM MAC1A048	48	Right Hand Wheel Arm
OTM MAC1A049	49	RP 5 Central Arm
OTM MAC1A049A	49	RP 6 Central Arm
OTM MAC1A050	50	RP 4 Main Pipe

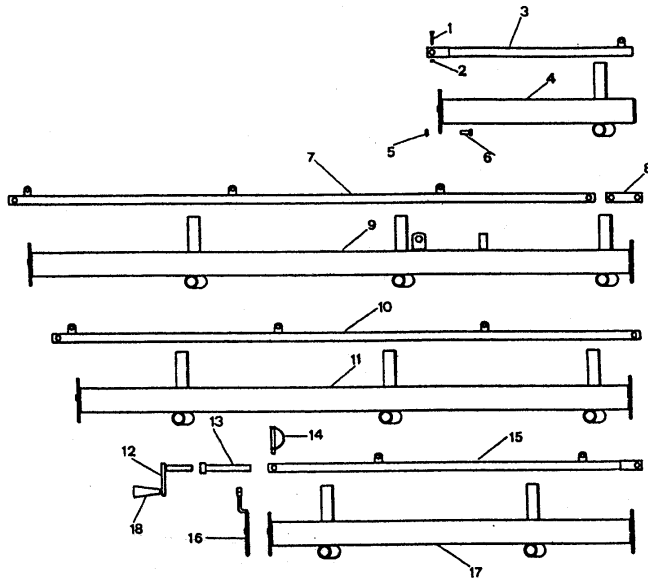


PART NO.	REF. NO.	DESCRIPTION
OTM MAC1A051	51	Teeth Rim
TIN OT-1	52	7 mm Tooth
OTM MAC1A053	53	Teeth Flange
OTM MAC1A054	54	Teeth Clamp
OTM MAC1A036	55	Nut
OTM MAC1A056	56	Screw
OTM MAC1A057	57	Hub Cover
OTM MAC1A058	58	Slotted Nut
OTM MAC1A059	59	Small Bearing
OTM MAC1A060	60	Wheel Hub
OTM MAC1A061	61	Large Bearing
OTM MAC1A062	62	Dust Cover
OTM MAC1A036	63	Nut
OTM MAC1A064	64	Grower
OTM MAC1A065	65	Hub Screw
OTM MAC1A066	66	2 Wheels 3 Point
OTM MAC1A067	67	Pin
OTM MAC1A024	68	R Shaped Split
OTM MAC1A005	69	Spring Split
OTM MAC1A070	70	Wheel Adjusting Bar
OTM MAC1A071	71	Nut
OTM MAC1A072	72	Spring Washer
OTM MAC1A073	73	Screw
OTM MAC1A074	74	RP 2 Wheel Arm
OTM MAC1A075	75	Bushing
OTM H001L		Complete Left Hand Wheel
OTM H001		Complete Right Hand Wheel

**NOTE: Any bolts, washers, nuts, etc. may be sourced locally**

**BRONCO 9 WHEEL PULL TYPE RAKE - REPLACEMENT PARTS**

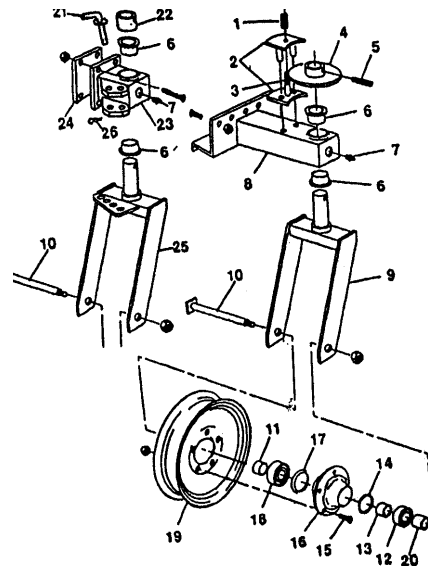
**Main Frame Assembly**



REF. NO.	CODE NO.	DESCRIPTION
1	OTM 071410	hex cap $\frac{5}{16}$ " x 2"
2	OTM 073411	self locking nut NY $\frac{5}{16}$ "
3	OTM 372400	lift tube 33 $\frac{1}{2}$ "
4	OTM 371300	main frame 1 rake wheel 31 $\frac{3}{4}$ "
5	OTM 073132	nut $\frac{1}{2}$ "
6	OTM 071171	hex cap $\frac{1}{2}$ x 1 $\frac{1}{2}$
7	OTM 372200	lift tube 95"
8	OTM 372900	joint lift tubes
9	OTM 371000	main frame 3 r. wheel 97 $\frac{1}{4}$ "
10	OTM 37220	lift tube 95"
11	OTM 371100	main frame 3 r. wheel 89 $\frac{1}{4}$ "
12	OTM 372700	threaded handle
13	OTM 372500	pivot safety for parking
14	OTM 1441	clevis pin
	OTM 1440	hair pin
15	OTM 37-26-00	lift pipe short 60 $\frac{1}{4}$ "
16	OTM 37-26-00	plate for screw lift tube
17	OTM 37-12-00	main frame 2 r. wheel 62 $\frac{1}{2}$ "
18	OTM 20-42-72	knob 1033/FB D=12 mm w/cover

**Ground Wheels Assembly**

REF. NO.	CODE NO.	DESCRIPTION
1	OTM 2299741	spring (wheel brake)
	OTM 073132	Nut $\frac{1}{2}$ "
	OTM 072864	Steel blank washer $\frac{1}{2}$ "
2	OTM 371800	Brake complete
	OTM 371801	plate for brakes
	OTM 371802	plate for brakes with pivot
3	OTM 071411	hex. cap screw $\frac{1}{2}$ " x 3 $\frac{1}{2}$ "
4	OTM 371900	disc for brakes
5	OTM 018170	elastic pin D= $\frac{3}{8}$ x 3"
6	OTM 1004418	brass bushing pivot wheels
7	OTM 074902	grease nipple
8	OTM 370800	support for fork
	OTM 071170	screw TE $\frac{1}{2}$ x 1"
	OTM 073132	nut $\frac{1}{2}$ RST
9	OTM 371700	fork front ground wheel
10	OTM 373000	pivot for ground wheel 1" x 9 $\frac{1}{2}$ "
	OTM 073440	lock nut 1" nylon
11		spacer pivot g. wheel ext. 2 $\frac{1}{4}$ "
12		Bearing
13		spacer pivot g. wheel intern
14		spacer for bearing small
15	OTM WB12	wheel stud
	OTM WB40	self-centering nut
16		hub 05 M16 x 1.5
17		spacer for bearing large
18		bearing
19	OTM ST195/75D14	wheel & tire assembly
20		spacer pivot g. wheel ext. 2 $\frac{1}{2}$ "

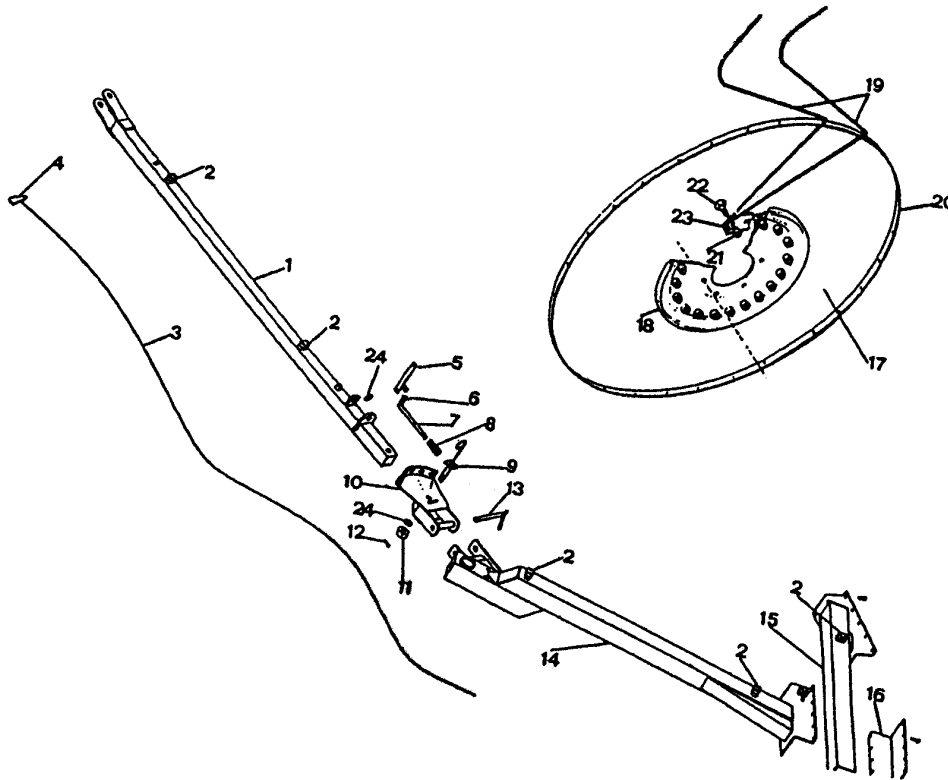


REF. NO.	CODE NO.	DESCRIPTION
21	OTM 371607	pivot for support rear wheel
22	OTM 371608	bushing
23	OTM 371500	support rear wheel
24	OTM 371502	plate
	OTM 071172	hex. cap screw $\frac{1}{2}$ x 5 $\frac{1}{2}$
	OTM 073132	Nut $\frac{1}{2}$ "
25	OTM 371600	fork rear ground wheel
26	OTM 074611	hair pin

**NOTE: Any bolts, washers, nuts, etc. may be sourced locally**

# BRONCO 9 WHEEL PULL TYPE RAKE - REPLACEMENT PARTS

## Right Hand Finger Wheel Assy. Drawbar Assy.



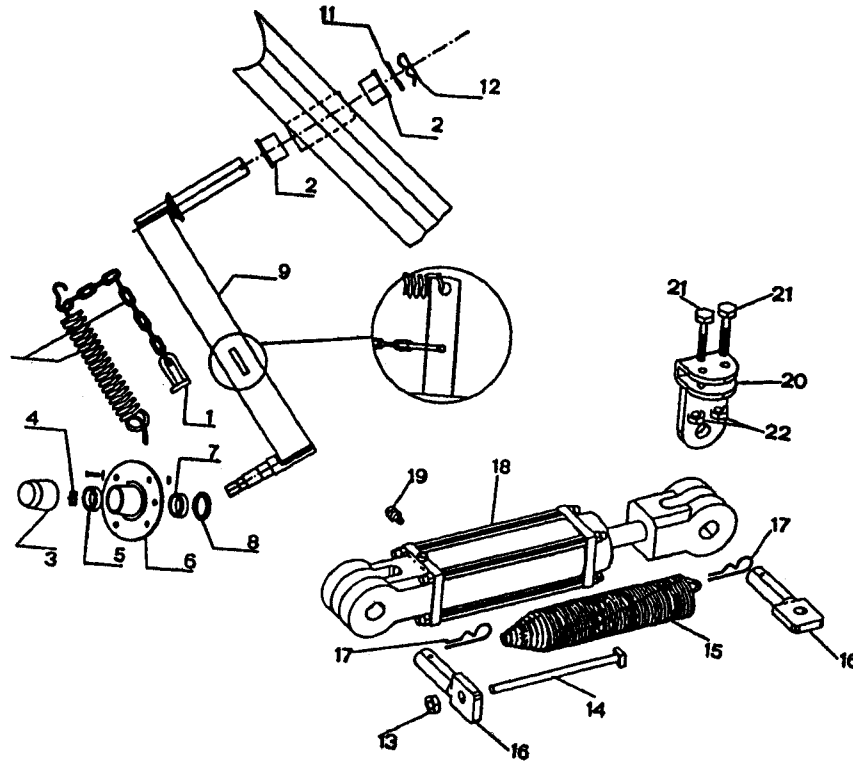
REF. NO.	CODE NO.	DESCRIPTION
1	OTM 370100	draw bar 1=2300 mm
2	OTM 204353	clamp hose 1 hose comp. w/screw
3	OTM 204471	platified cord
4	OTM 204273	plastic handle
5	OTM 370200	rod lever
6	OTM 4867	clevis 1/4"
7	OTM 370300	pin for sector
	OTM 074721	split pin d=4 x 45 mm UNI 1336
8	OTM 2299524	spring sector drawbar
9	OTM 370600	pivot for drawbar 1" x 5"
10	OTM 370500	regulating plate
11	OTM 073440	self l.nut NY 1"
12	OTM 018107	roll pin 3/16 x 2
13	OTM 370700	handle

REF. NO.	CODE NO.	DESCRIPTION
14	OTM 370800	support for drawbar
	OTM 071170	screw TE 1/2 x 1"
	OTM 073132	nut 1/2
15	OTM 370900	arm for drawbar
	OTM 072864	spring washer 1/2"
16	OTM 370810	bracket support rear wheel
17	OTM H001	finger wheel assembly R.H.
18	OTM 000312	flange
19	OTM OT-1	tine
20	OTM 000311	hoop Y/O rim
21	OTM 071571	bolt 3/8" x 1"
22	OTM 073124	nut 3/8
23	OTM 810702	clip
24	OTM 072779	steel washer 15/16"
25	OTM HAR C1/8	cable clamp for #3

**NOTE: Any bolts, washers, nuts, etc. may be sourced locally**

**BRONCO 9 WHEEL PULL TYPE RAKE - REPLACEMENT PARTS**

Finger Wheel Lift Assy. Hydraulic Lift Assy.



REF. NO.	CODE NO.	DESCRIPTION
1	OTM 071725	clevis 1/4"
2	OTM 110002	nylon bushing
3	OTM 909911	grease cup
4	OTM 093361	self locking nut
5	OTM 079602	bearing
6	OTM 810601	hub only
		hex screw 3/8" x 1 1/2"
		washer 3/8"
		hex nut 3/8"
7	OTM 079601	bearing
8	OTM 008000	steel b. washer
9	OTM 372900	arm rake wheels RH w/hub
10	OTM 077113	chain 20"
	OTM 2299215	spring for chain
11	OTM 072780	steel b. washer
12	OTM 074613	hair pin
13	OTM 073124	hex nut 3/8"
14	OTM 071801	rod for cylinder spring
15		spring lift cylinder

REF. NO.	CODE NO.	DESCRIPTION
16	OTM 372000	pivot for cylinder L=4.3" (107mm)
		pivot for cylinder L=4.8" (120 mm)
17	OTM 074612	split pin D= 3/16 x 1 1/2
18	HYD 639288	lift cylinder 2 x 8" (2299360)
19	OTM 640368	breather
20	OTM 372100	bracket att. cylinder lift
21	OTM 071410	hex screw 5/16 x 2
22	OTM 073411	self l. nut NY 5/16

**NOTE: Any bolts, washers, nuts, etc. may be sourced locally**