

INDEX

A Frame Jacks	42	Grain Hoppers	30
Accessories		Ground Anchors.....	31
Air Conditioning	44 to 50	Hammerblow Jacks	39 to 41
Seats	20 to 22	HC12A Refrigerant.....	44
Air Conditioning		Hooks (Bungee).....	36
Accessories	44 to 50	Hoppers (Grain)	30
Refrigerants	44	Horn, Signal.....	22
Anchors		Industrial Seats	9 to 13
Ground.....	31	Jacks	
Ring Recessed	36	A Frame.....	42
Surface Mount	36	Bulldog.....	39, 40, 42
Tarp	31	Display	41
Axle Straps.....	34	Farm.....	37 to 43
Bulldog Jacks	39, 40, 42	Flange Mount	37
Bungee		Hammerblow	39 to 421
Cords	36	Ring Mount	37
Display	36	Sidewind.....	37
Hooks.....	36	Square.....	38, 40
Tarp Straps.....	36	Topwind.....	37
Cam Straps.....	33, 34	Lawn / Garden Seats.....	3 to 9
Clips (For Tarps)	36	Machinery Straps	34
Cords		Marine Straps.....	34
Bungee	36	Motorcycle Tie Downs.....	34
Stretch	36	MS1 Fresh Cab	1
Cushions (For Seats).....	3, 14 to 19	Parts (EZ Chill).....	44 to 50
Discharge Spouts	30	Pouches (Prairie Aire)	2
Display		Pouches (Scent)	1, 2
Bungee.....	36	Prairie Aire Pouches	2
Jacks	37 to 41	Ratchet Straps	33, 34
Downspouts		Recovery Straps	35
Drill Fill.....	31	Red Nylon Signs.....	32
Telescoping	31	Refrigerant	
Drill Fill Downspouts	31	Air Conditioning	44
Emzone Refrigerants.....	44-50	HC12A	44
EZ Chill Parts.....	48 to 50	Replacement Flex Hose	31
Fanny Flags	32	Rings	
Farm Jacks.....	37 to 43	Flip.....	36
Femco		Forged.....	36
Shades	28	Wire	36
Femco		Ring Mount Jacks	37
Umbrella	29	Ring Recessed Anchors	36
Flags		Rubber Tarp Straps	32
Fanny	32	Scent Pouches	1
Slow Moving	32	Seats	
Flange Mount Jacks.....	37	Accessories	20 to 22
Flex Hose Replacement	31	Cushions	3, 13 to 19
Flip Rings	36	Industrial	9 to 13
Forged Rings.....	36	Lawn/Garden	3 to 9
Fresh Cab MS1	1	Tractor	3, 14 to 19
		Utility.....	3 to 9

INDEX

Shades

- Femco 28
- Sun..... 28

Sidewind Jacks 37

Signs

- Red Nylon..... 32
- Slow Moving 32

Slow Moving Flags 32

Slow Moving Signs 32

Spouts (Discharge) 30

Square Jacks 38, 40

Straps

- Axle..... 34
- Cam 33, 34
- Machinery..... 34
- Marine..... 34
- Ratchet 33, 34

Straps

- Recovery 35
- Rubber..... 32
- Tie Down 33, 34
- Tow..... 35
- Winch..... 34

Stretch Cords 36

Sun Shades 28

Surface Mount Anchors 36

Tarp

- Anchors 31
- Clips..... 36

Tarp Straps

- Bungee..... 36
- Rubber..... 32

Telescoping Downspouts..... 31

Tie Downs

- Motorcycle 34
- Straps..... 33, 34

Topwind Jacks 37

Tow Straps 35

Tractor

- Seats 3, 13 to 19
- Weather Brakes..... 23 to 27
- Weather Covers 23

Umbrella (Femco)..... 29

Utility Seats..... 3 to 9

Weather Brakes (Tractor) 23 to 27

Weather Covers (Tractor) 23

Winch Straps..... 34

Wire Rings 36

FRESH CAB SCENT POUCHES



PART NO.	DESCRIPTION
ACC MS1	Box of 4 Pouches of Fresh Cab

This all natural patent pending product is safe and non-toxic to humans and animals.

REMOVE STALE SMELLS WITH FRESH CAB SCENT POUCHES

This all natural blend of scents, spices, and agricultural products was designed for small enclosed areas such as tractor and combine cabs, farm trucks, boats, RV's and vehicles.

...."we can hardly keep **FRESH CAB™** on our shelves. It goes out as fast as we can get it. We are a wholesale distributor for **FRESH CAB™** and sell to implement dealerships throughout the USA, including all of North Dakota and South Dakota, Minnesota and Montana. We have dealers buying them for equipment and vehicles and have heard nothing but compliments on Kari's invention. The dealers tell us it really works and the customers keep coming back for more. Kari is really onto something here."

Jan Wiese at Westward Products Inc., Jamestown, ND

"I sell hundreds of the **FRESH CAB™** boxes as a Wholesale Distributor, and I have heard many testimonies. Most are from the dealers who hear from their customers, who then tell their friends - who then buy the product. As an air freshener - it is the best around for the price! It really lasts, and smells good."

Kent, ADI Dist.

"I first was introduced to **FRESH CAB™** in the summer of 1998 by Kari Warberg, one of our Farmer Customer's wives. I started selling them on consignment in July 1998. Since then, sales have increased to the point where people come in to ask if we handle **FRESH CAB™**. We recommend them to anyone that stores equipment or wants a nice smelling cab or vehicle."

Fritz Weisenberger, Parts Mgr., Gooseneck Implement

PRAIRIE AIRE SCENT POUCHES



Prairie Aire™ scent pouches work like magic!

While our special blends of indigenous prairie plants release a pleasing scent, ancient volcanic minerals absorb and trap unpleasant odors such as cigarette smoke, must, mildew and pet odors for up to three months. They're perfect for bathrooms, kitchens, laundry rooms, basements, closets, drawers, vehicles, dorm rooms, lockers, gym bags, suitcases, campers, sheds and garages. Scent pouches are 100% natural and biodegradable.

PART NO.	DESCRIPTION
ACC 210-2	Naturally Festive Scent Pouch
ACC 211-9	Fresh Adventure Scent Pouch
ACC 212-6	Coriander Blossom Scent Pouch
ACC 213-3	Sweet Pea & Ivy Scent Pouch
ACC 210-1	Stand Display



Customer, Richard Stewart, had a rain-damaged office with a "horrible smell". He tried one pouch of Sweet Pea & Ivy and "by the end of the week, it was totally gone... it has not come back, and it has been almost three weeks. This is fantastic. I am very impressed with the product!"

- Great impulse item.
- Unique, attractive packaging.
- Creates repeat business.
- Occupies small shelf space.
- Color coded for easy identification.
- Scents can be sampled through poly bag.
- Absorbs odours.
- Longer lasting than chemical based air fresheners.
- Safe for children and pets.
- All natural, biodegradable ingredients.
- Pleasant selection of scents.
- Inexpensive.

LAWN & GARDEN/UTILITY SEATS

Deluxe Low-Back Seat

Fits Most Models:

- AMF • Ariens • AYP • Bolens • CubCadet • Dynamark
- John Deere • Gilson • Gravely • Ingersoll
- International Harvester • Massey • MTD • Murray
- Noma • Roper • Sears Craftsman • Snapper
- Wheelhorse • White • Yard-man



Features:

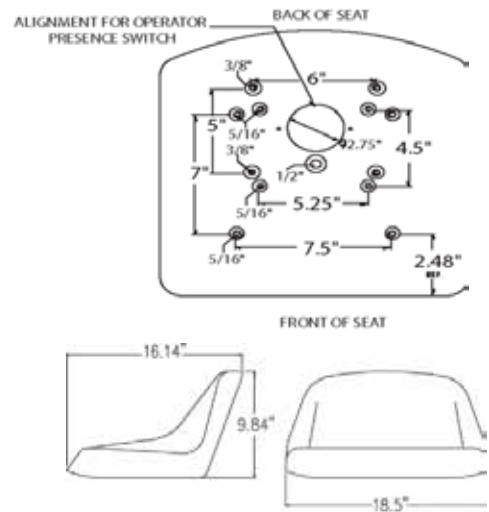
- Integral Polyurethane/Steel Frame Construction.
- Waterproof.
- Universal Mount.
- Safety Switch Cavity.
- Safety Switch Cavity.
- Weight - 10 lbs.

Bolt Patterns:

- (width x depth)
- 5.25" x 4.5"
- 6" x 5"
- 7.5" x 7"
- 1/2" Diameter Center Bolt

Applications:

- Lawn Mowers
- Garden Tractors
- Small Backhoes
- Utility Seating



PART NO.	DESCRIPTION
ACC110	Deluxe Low Back Seat

Deluxe High-Back Seat

Fits Most Models:

- AMF • Ariens • AYP • Bolens • CubCadet • Dynamark
- John Deere • Gilson • Gravely • Ingersoll
- International Harvester • Massey • MTD • Murray
- Noma • Roper • Sears Craftsman • Snapper
- Wheelhorse • White • Yard-man



Features:

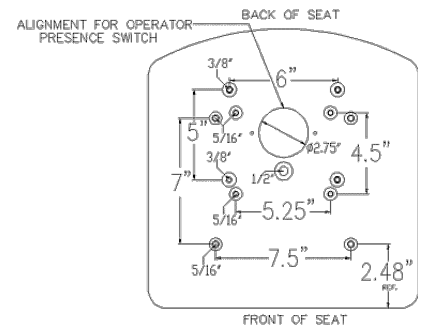
- Integral Polyurethane/Steel Frame Construction.
- Waterproof.
- Universal Mount.
- Safety Switch Cavity.
- Weight 12 lbs.

Applications:

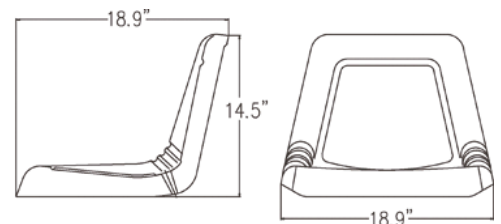
- Lawn Mowers
- Garden Tractors
- Commercial Turf/Mowers
- Utility Trucks
- Professional Turf
- Forklifts
- Skid Steers
- Backhoe

Bolt Patterns:

- (width x depth)
- 5.25" x 4.5"
- 6" x 5"
- 7.5" x 7"
- 1/2" Diameter Center Bolt



PART NO.	DESCRIPTION
ACC115	Deluxe High Back Seat



LAWN & GARDEN/UTILITY SEATS

Deluxe Ultra-High Back Seat



Features:

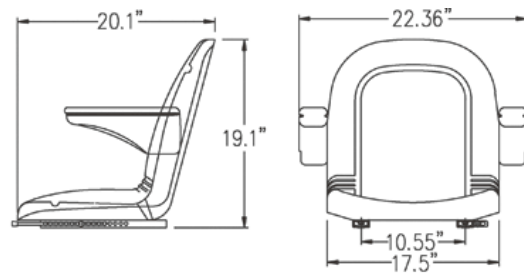
- Integral polyurethane/steel frame construction.
- Waterproof
- Drain hole
- Weight - 14.2 lbs.

Bolt Patterns

- (width x depth)
- 8" x 7.5"
 - 10.63" x 7.5"
 - 11.25" x 7.5"

Applications:

Garden Tractors, Commercial Turf/Mowers, Utility Trucks, Professional Turf, Forklifts, Skid Steers, Loaders, Backhoes
Ground Service Equipment, Construction Equipment, Street Maintenance, Utility Tractors



PART NO.	DESCRIPTION
ACC 12000	Deluxe Ultra-High Back Seat

Deluxe Ultra-High Back Seat



Features:

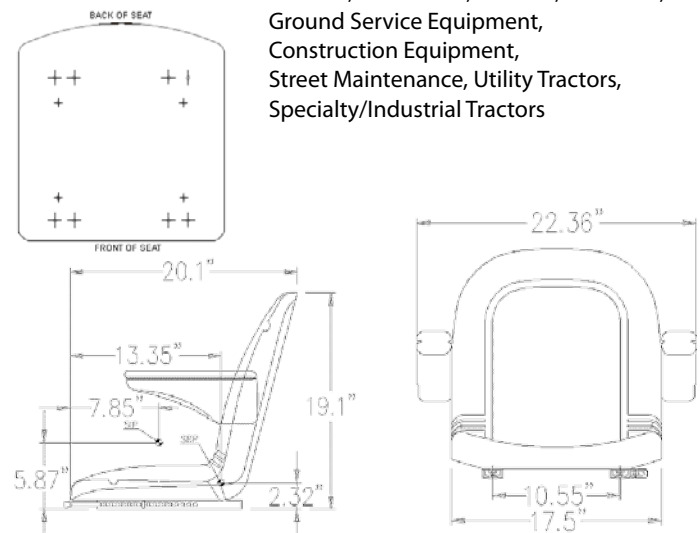
- Integral polyurethane/steel frame construction.
- Adjustable Arm Rest.
- Waterproof.
- Drain Hole.
- Slides.
- Weight 20 lbs.

Bolt Patterns

- (width x depth)
- 8" x Slotted Slide*
 - 10.63" x Slotted Slide*
 - 11.25" x Slotted Slide*

Applications:

Garden Tractors, Commercial Turf/Mowers, Utility Trucks, Professional Turf, Forklifts, Skid Steers, Loaders, Backhoes, Ground Service Equipment, Construction Equipment, Street Maintenance, Utility Tractors, Specialty/Industrial Tractors



PART NO.	DESCRIPTION
ACC 12002	Deluxe Ultra-High Back Seat

LAWN & GARDEN/UTILITY SEATS

Deluxe Ultra High-Back Steel Pan Seat

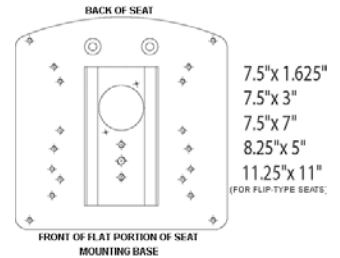
Fits Most Models

- AMF • Ariens • AYP • Bolens • CubCadet • Dynamark
- John Deere • Gilson • Gravely • Ingersoll
- International Harvester • Massey • MTD • Murray
- Noma • Roper • Sears Craftsman • Snapper
- Wheelhorse • White • Yard-man



Features:

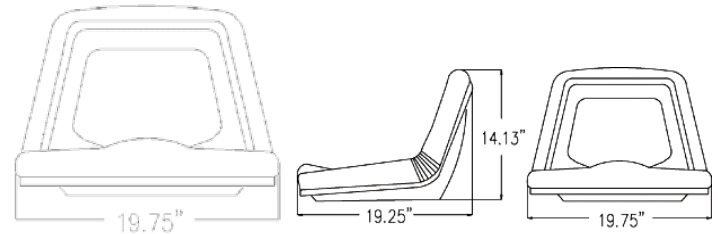
- Steel pan with trimmed edge
- Black vinyl-covered molded cushions.
- Drain hole and contoured for air flow.
- Safety switch cavity.



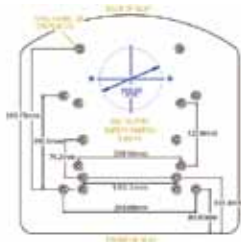
Applications:

Lawn Mowers, Garden Tractors, Commercial Turf/Mowers, Utility Trucks, Professional Turf, Forklifts, Skid Steers, Backhoes Ground Service Equipment, Construction Equipment, Street Maintenance, Compact & Utility, Tractors, Specialty/Industrial Tractors

PART NO.	DESCRIPTION
ACC 135	Black
ACC 135BLU	Blue
ACC 135YEL	Yellow



Deluxe Ultra High-Back Seat



Features:

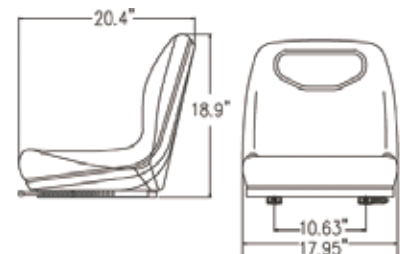
- Integral polyurethane construction.
- Vinyl covered.
- Waterproof.
- Drain Hole
- Weight - 15.6 lbs.

Applications:

Lawn Mowers, Garden Tractors, Commercial Turf/Mowers, Utility Trucks, Professional Turf, Skid Steers, Ground Service equipment, Compact & Utility Tractors, Specialty/Industrial tractors

Bolt Patterns:

- (width X depth)
- 7.5" x 3"
 - 7.5" x 7"
 - 8" x 11.5"
 - 8.2" x 5"
 - 10.63" x 7.5"
 - 11.25" x 11.5"



PART NO.	DESCRIPTION
ACC 140	Black
ACC 140GRY	Gray
ACC 140YEL	Yellow

LAWN & GARDEN/UTILITY SEATS

Low-Back Steel Pan Seat


Features:

- Heavy Duty PVC Cover
- Water Resistant
- Accepts operator Presence Switches
- Fits most Popular Bolt Patterns
(W x D)
6" x 5"
7.5" x 7"
8.2" x 5"

Applications:

- Lawn Mowers
- Garden Tractors
- Utility Seating

PART NO.	DESCRIPTION
ACC 150BLK	Black
ACC 150YEL	Yellow

High-Back Steel Pan Seat


Features:

- Heavy Duty PVC Cover
- Water Resistant
- Accepts Operator Presence Switches
- Fits most Popular Bolt Patterns
(W x D)
6" x 5"
7.5" x 7"
8.2" x 5"

Applications:

- Lawn Mowers
- Garden Tractors
- Utility Seating

PART NO.	DESCRIPTION
ACC 155BLK	Black
ACC 155YEL	Yellow

LAWN & GARDEN/UTILITY SEATS

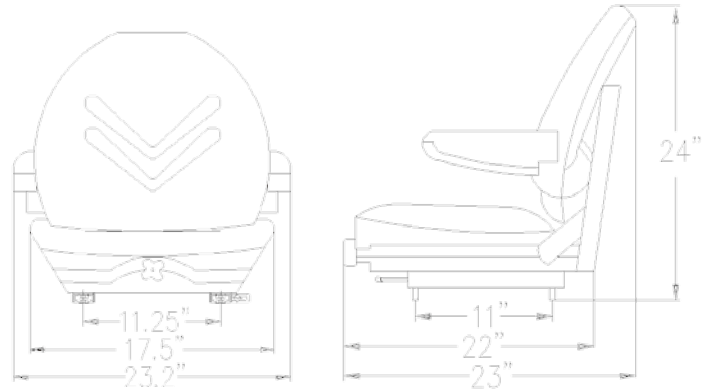
High Back Seat With Integrated Suspension



Features:

- Fully Suspended Seat.
- Integrated Suspension for Low Profile.
- Weight Adjustment.
- Seamless Black Vinyl.
- Slides.
- Safety Switch Cavity.
- Arm Rests.

PART NO.	DESCRIPTION
ACC 360	High Back Seat with Integrated Suspension



Fully Suspended Seat, Delta Switch

Applications:

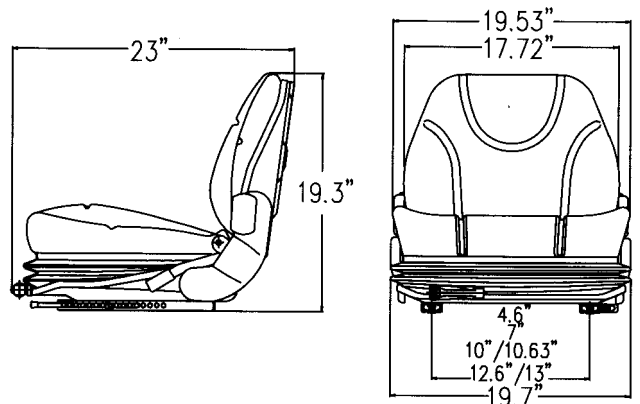
Commercial Turf/Mowers, Utility Trucks, Professional Turf, Forklifts, Skid Steers, Backhoes, Ground Service Equipment, Construction Equipment, Street Maintenance.

Features:

- Fully Suspended Seat
- Integrated Low-Profile Suspension
- Weight and Angle Adjustment
- Seamless Black Vinyl
- Contoured for Air-Flow
- Slides
- Weight - 44.5 lbs.

Bolt Patterns:

- (width x depth)
- 4.6" x Slotted slides*
 - 7" x Slotted Slides*
 - 10" through 10.63" x Slotted Slides*
 - 12.6" through 13" x Slotted Slides*



PART NO.	DESCRIPTION
ACC 390	Fully Suspended Seat, Delta Switch

LAWN & GARDEN/UTILITY SEATS

3 Piece Replacement Cushion Set For John Deere



Features:

- Steel Back Construction.
- HD Yellow-Vinyl Cover on High Density Foam.
- Specific Model Application.
- UPC - 744587325797.
- Replace JD #TY9326.

Replacement cushions for the following John Deere models:

Tractors

1010, 2010, 2510, 2520, 3010, 3020, 4000, 4010, 4020, 4030, 4040, 4230, 4320, 4340, 4400, 4430, 4520, 4620, 4630, 5010, 5020, 6030, 7020, 7520

Combines

45, 55, 95 (200001-) 95H (2301-), 96, 105, (3001-), 3300, 4400, 6600, 6602, 7700

Cotton Pickers

99 with Deluxe Seat, 299

Forage Harvesters

5200, 5400

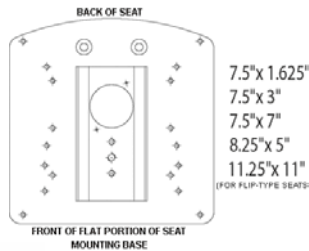
Hay Cubers

400, 425

PART NO.	DESCRIPTION
ACC 550	3 Piece Replacement Seat

Original seat hardware and brackets required for seat assembly. OEM numbers are for identification purposes only - not original replacement parts.

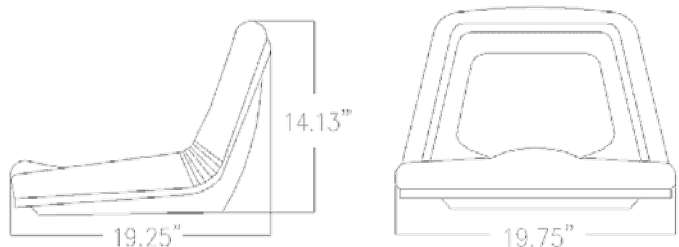
High-Back Steel-Pan Seat



Features:

- Available in Yellow and Blue.
- #1 Selling Universal Replacement Seat.
- Even more Bolt Patterns!
- Accepts Arm Rest Assembly.
- Accepts 940 & 941 Bracket Kits.
- Yellow UPC - 744587338223.
- Blue UPC - 744587338216.
- Adjustable Weight Suspension.

PART NO.	DESCRIPTION
ACC 135YEL	Yellow
ACC 135BLU	Blue



LAWN & GARDEN/UTILITY SEATS

Universal Pan Seat



Features:

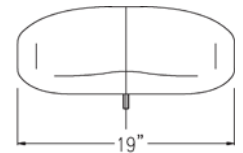
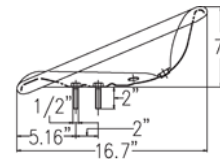
- Rigid Seat.
- 3 Drain Holes.
- 2 Fixed Mounting Bolts.
- Weight - 6.44 lbs.

Bolt Patterns:

(width x depth)
1/2" Diameter on center x 2"

Applications:

Lawn Mowers
Garden Tractors



PART NO.	DESCRIPTION
ACC 100	Universal Pan Seat

INDUSTRIAL SEATS

Back Suspension Seat



Features:

- Suspension weight adjustment
- Back angle adjustment
- Seamless black vinyl
- Slides
- Weight - 30.75 lbs.

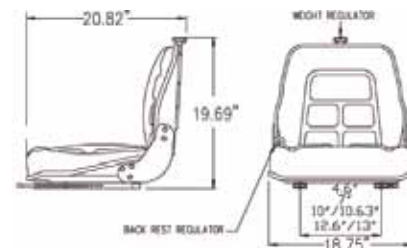
Bolt Patterns:

(width x depth)
9" x Slotted Slides*
10" x Slotted Slides*
13" x Slotted Slides*
15" x Slotted Slides* * infinite spacing, 1" - 11.5"

Applications:

Commercial Turf/Mowers, Utility Trucks, Professional Turf, Forklifts, Skid Steers, Ground Service Equipment, Construction Equipment, Street Maintenance

PART NO.	DESCRIPTION
ACC 300	Back Suspension Seat



INDUSTRIAL SEATS

Full Adjustment Seat With Suspension



Features:

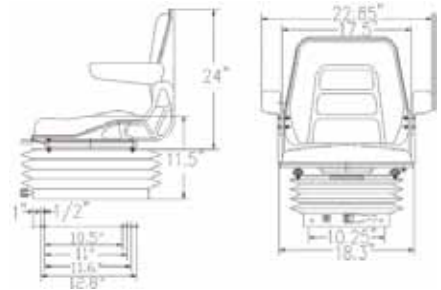
- Swivel for Easy Entry/Exit and Operator Positioning
- Steel Pan with Trimmed Edge
- Black Vinyl-Covered Molded Cushion
- Adjustable Arm Rests
- Adjustable Seat Back
- Suspension w/Weight and 3 Position Height Adjustment
- Slides
- Weight - 101 lbs.

Applications:

Loaders, Backhoes, Construction Equipment, Street Maintenance, Utility Tractors, Combines, Cotton Pickers, Sprayers, Forage Harvest, Hay Cuber, Specialty/Industrial Tractors

Bolt Patterns:

- (width x depth)
- 10.25" X 10.5"
 - 10.25" X 11"
 - 10.25" X 11.5"
 - 10.25" X 12.75"



PART NO.	DESCRIPTION
ACC 330	Full Adjustment Seat with Suspension

Universal 2 Piece Seat



Features:

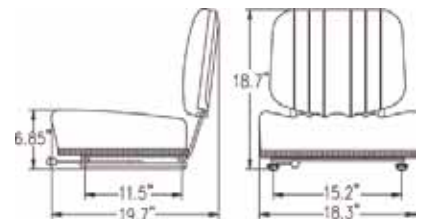
- Steel Frame w/Trimmed Edge
- Black Vinyl-covered Molded Cushion
- Ribbed Seat for Air Flow
- Slides
- Weight - 25 lbs.

Applications:

Forklifts, Ground Service Equipment, Construction Equipment, Street Maintenance

Bolt Patterns:

- (width x depth)
- 5" x Slotted Slides*
 - 8" x Slotted Slides*
 - 10" x Slotted Slides*
 - 13" x Slotted Slides*
 - 15" x Slotted Slides*



* infinite spacing, 1" - 11.5"

PART NO.	DESCRIPTION
ACC 340	Universal 2 Piece Seat

INDUSTRIAL SEATS

High-Back Seat with Integrated Suspension

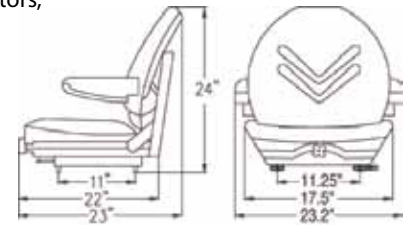


Features:

- Fully Suspended Seat
- Integrated Suspension for Low-Profile
- Weight Adjustment
- Seamless Black Vinyl
- Safety Switch Cavity
- Arm Rests
- Slides
- Weight - 61 lbs.

Applications:

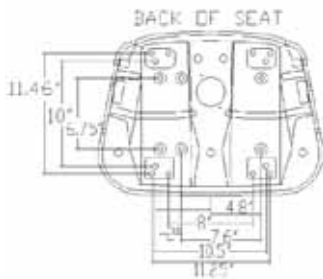
Commercial Turf/Mower, Professional Turf, Skid Steers, Utility Tractors, Row Crop Tractors, Specialty/Industrial Tractors



Bolt Patterns:
(width x depth)
11.25" x Slotted slides*

PART NO.	DESCRIPTION
ACC 360	High Back Seat with Integrated Suspension

Universal Bucket Seat



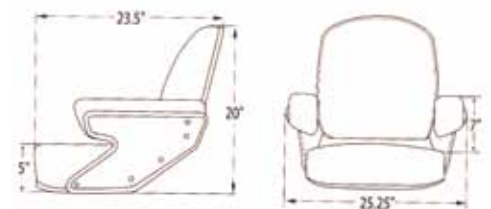
Features:

- Steel Pan with Trimmed Edge.
- Black Seamless Vinyl Covered Molded Cushion.
- Multiple Mounting Patterns.
- 4-piece Construction.
- Weight - 29 lbs.

Applications:

Skid Steers, Loaders, Backhoes, Construction Equipment, Street Maintenance, Utility Tractors, Row Crop Tractors, Combines, Cotton Pickers, Specialty/Industrial Tractors

Bolt Patterns:
(width x depth)
7.5" x 6.75"
8" x 11.50"
9.5" x 6.75"
10.5" x 10"
11.25" x 11.50"



PART NO.	DESCRIPTION
ACC 370	Universal Bucket Seat, 4 pc

INDUSTRIAL SEATS

Universal High-Back Seat (with Cordura® Fabric)

Applications:

Commercial Turf, Utility Vehicles, Professional Turf, Forklifts, Skid Steers, Ground Service Equipment, Construction Equipment, Utility Tractors, Row Crop, Specialty/Industrial Tractors



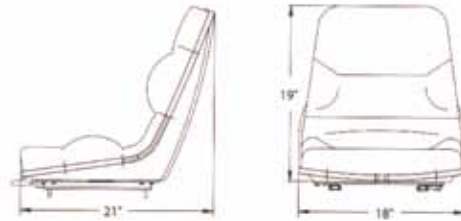
Features:

- Universal Bolt Pattern
- Safety Switch Cavity
- Slides
- Accepts Armrests and Suspensions
- Weight 20.85 lbs.

Bolt Patterns:

(width x depth)
Adjustable Widths
7.25" - 13.5" x 11" D

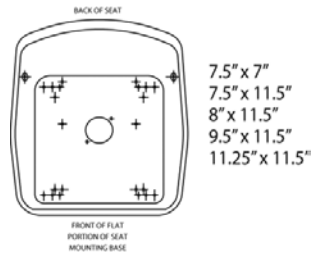
PART NO.	DESCRIPTION
ACC 440	Black
ACC 450GRY	Gray



Contoured High-Back Seat

Applications:

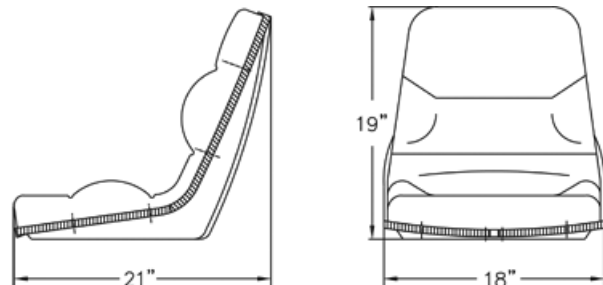
Commercial Turf, Utility Vehicles, Professional Turf, Forklifts, Skid Steers, Loaders, Backhoes, Ground Service Equipment, Construction Equipment, Street Maintenance, Hay Cubers, Specialty Tractors



Features:

- Universal Bolt Pattern
- Slides Included.
- Ideal for: Forklifts, Skid Steers, Construction Equipment, and Commercial/Professional Turf.
- Accepts Arm Rest Assembly.
- UPC - 744587337578.
- Weight 16.25 lbs.

PART NO.	DESCRIPTION
ACC 450BLK	Black
ACC 450GRY	Gray



INDUSTRIAL SEATS

Universal Fold-Down Seat



Features:

- Heavy Duty PVC Cover
- Slides
- Armrests
- Fold Down Back Cushion

Applications:

- Fork Lifts
- Skid Steers
- Utility Seating
- Commercial Turf
- Construction Equipment

Bolt Patterns

- (W x D):
- 9" x Slotted Slides
 - 10.25" x Slotted Slides
 - 13" x Slotted Slides
 - 15" x Slotted Slides

PART NO.	DESCRIPTION
ACC 355BLK	Universal Fold Down Seat

AG TRACTOR SEATS & CUSHIONS

Pan Seat Cushion



Features:

- Extra Heavy Gray Vinyl.
- Tie String Attachment.
- 2-Piece Poly-Foam Cushion.
- Dimensions: 20" x 18" x 1.5"
- Weight - 1.35 lbs.

Bolt Patterns:

N/A

Applications:

Universal

PART NO.	DESCRIPTION
ACC 501	Pan Seat Cushion

AG TRACTOR SEATS & CUSHIONS

Deluxe Pan Seat Cushion



Features:

- Extra Heavy Red/White Vinyl.
- Tie String Attachment.
- Poly Foam Cushion.
- Dimensions: 20" x 19" x 1.5"
- Weight - 1.1 lbs.

Bolt Patterns:

N/A

Applications:

Universal

PART NO.	DESCRIPTION
ACC 503	Deluxe Pan Seat Cushion

Universal Tractor Seat with Adjustable Suspension



Features:

- Vinyl-Covered Molded Cushion.
- Adjustable Weight Suspension.
- Multiple Hole Mounting Patterns.
- Adjustable Base Angle.
- Slides.
- Weight - 44 lbs.

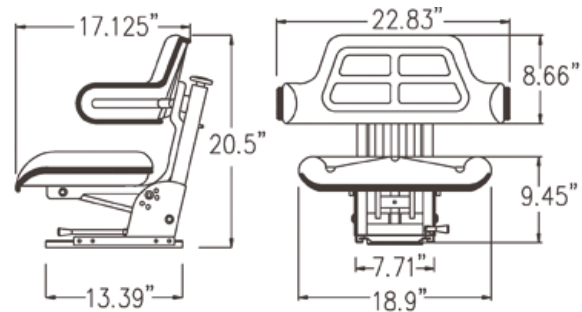
Bolt Patterns:

Universal Bolt Pattern
Mounting Plate

Applications:

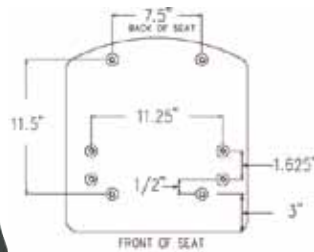
Utility Tractors
Specialty/Industrial Tractors
Universal Application

PART NO.	DESCRIPTION
ACC 510	Black
ACC 510BLU	Blue
ACC 510YEL	Yellow



AG TRACTOR SEATS & CUSHIONS

Compact-Tractor Seat with Flip-Type Brackets

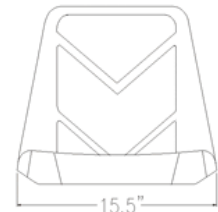
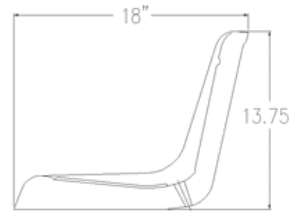
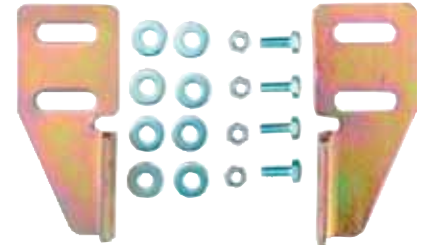


Features:

- Integral Polyurethane/Steel Frame Construction.
- Waterproof.
- Drain Hole.
- Includes Mounting Hardware.
- Weight - 11.8 lbs.

Bolt Patterns:

- (width x depth)
- 7.5" x 1.63"
- 7.5" x 7"



PART NO.	DESCRIPTION
ACC 520	Compact-Tractor Seat

Bolens: G152, G214

Cub Cadet: 7205

Dentz: 5020, 5215

Ford/New Holland: Compact 2, 3, and 4 CYL, 1000, 1100, 1200, 1300, 1500, 1510, 1600, 1700, 1710, 1900, 2000 and UP, TC18, TC25, TC29, TC33, TC35, TC40/R45, TC45, TC210, TC400

Hinomot: E14, E140, E15, E18, E21, E23, E28, E182

International Harvester: 154, 184, 185, 234, 235, 244, 245, 254, 255, 265, 274, 275, 284, 384, 434

Iseki: TS16010, TS2100, TS2205, TS2500

John Deere Utility Orchard Tractors: 790, 870, 1070, 4500

Kubota: B2410, B2710, B2910, B7300, B7500, GF1800 Mower, K008 Backhoe, L35, L3000-DT, L3000-F, L3410, L3710, L4610, MX 5000, 4650 Backhoe

Kamiai: ST2020

Mahindra: 2810, 3510, 4110

Massey Ferguson: 210, 220, 220-4, 1020, 1030, 1040, 1140, 1145

Massey Ferguson Windrowers: 35, 1010, 1125, 1150, 1205

Mitsubishi: D1300, MT210, MT2501, MT372, MT3729, MT4501, S370, S373, S3730

Rhino: 344, 3125

Satoh Beaver, Beaver3/Buck: S650G, ST1820, ST1840, ST2020

White Field Boss: 2-30, 2-65

Yanmar: 155, 155D, 240, 1300D, 1500, 1600, 1700, 1720D, 1900, 2000, 2220, 2310, 2310D, K016, YM250, YM1100, YM2200

AG TRACTOR SEATS & CUSHIONS

John Deere 3 Piece Replacement Cushion Set


Features:

- Steel Back Construction.
- Heavy Duty Yellow - Vinyl Cover on High Density Foam.
- Specific Model Application.
- Does not Include Hardware.
- Full Graphic Point of Sale Carton.
- Weight - 20 lbs.

PART NO.	DESCRIPTION
ACC 550	John Deere 3 Piece Replacement Cushion

Replacement Cushions for the following John Deere models:

John Deere Tractor Models: 1010, 2010, 2510, 2520, 3010, 3020, 4000, 4010, 4020, 4030, 4230, 4320, 4340, 4400, 4430, 4520, 4620, 4630, 5010, 5020, 6030, 7020, 7520

John Deere Combine Models: 45, 55, 95 (20001-), 95H (23501-), 96, 105 (3001-), 3300, 4400, 6600, 6602, 7700

John Deere Cotton Picker Models: 99 with Deluxe Seat, 299

John Deere Forage Harvester Models: 5200, 5400

John Deere Hay Cuber Models: 400, 425

John Deere 2 Piece Replacement Cushion Set


Features:

- Steel Back Construction.
- Heavy Duty Yellow - Vinyl Cover on High Density Foam
- Specific Model Application.
- Full Graphic Point of Sale Carton.
- Weight - 14 lbs.

Replacement Cushions for the following John Deere models:

John Deere Tractor Models: 830, 1010, 1020, 1520, 1530, 2010, 2020, 2030, 2440 prior to S/N 340999, 2630 and 2640 prior to S/N 340999

John Deere Windrower Models: 770, 800, 830, 880, 2320, 2420

John Deere Combine Models: 3300 and 4400

John Deere Sprayer Model: 6000

PART NO.	DESCRIPTION
ACC 555	John Deere 2 Piece Replacement Cushion

AG TRACTOR SEATS & CUSHIONS

John Deere 4 Piece Replacement Cushion Set



Features:

- Steel Back Construction.
- Heavy Duty Yellow - Vinyl Cover on High Density Foam.
- Specific Model Application.
- Does not Include Hardware.
- Full Graphic Point of Sale Carton.
- Weight - 29 lbs.

PART NO.	DESCRIPTION
ACC 556	John Deere 4 Piece Replacement Cushion

Replacement Cushions for the following John Deere models:

John Deere Tractor Models: 2250, 2550, 2750, 2950, 3150, 3155, 3255, 4020, 4030, 4050, 4055, 4200, 4230, 4250, 4255, 4300, 4320, 4430, 4450, 4455, 4555, 4560, 4630, 4650, 4755, 4760, 4840, 4955, 4960, 6500, 6620, 7410, 7610, 7710, 7720, 7800, 7810, 8010, 8020, 8200, 8300, 8400, 8430, 8440, 8450, 8630, 8640, 8650, 8770, 8820, 8850

John Deere Combine Models: 3300, 4400, 4420, 5820, 6600, 6602, 6620, 6622, 7700, 7720, 8430, 8440, 8630, 8440, 8630, 8640, 8820

John Deere Windrower Models: 2320, 2420

John Deere Forager Harvester Model: 9500

John Deere Cotton Picker Model: 9655

AG TRACTOR SEATS & CUSHIONS

John Deere Back Cushion, Hyd./Mech. Suspension, Fabric


Features:

- Steel Back Construction.
- Heavy Duty Fabric Cover on High Density Foam.
- Specific Model Application.
- Adjustable Lumbar Support.
- Full Graphic Point of Sale Carton.
- Weight - 11 lbs.

PART NO.	DESCRIPTION
ACC 557	John Deere Back Cushion

Replacement Cushions for the following John Deere models:

John Deere Tractor Models: 4030, 4040, 4050, 4055, 4230, 4240, 4250, 4430, 4440, 4450, 4455, 4560, 4630, 4640, 4650, 4755, 4760, 4840, 4850, 4955, 4960, 8430, 8440, 8450, 8630, 8640, 8650, 8850
 John Deere Combine Models: 4400, 6600, 7700, 8800, 4420, 6620, 7720, 8820
 John Deere Cotton Picker Models: 9920, 9930, 9950, 9960
 John Deere Cotton Stripper Models: 7440, 7745
 John Deere Ni-Cycle Sprayer Model: 6000

John Deere Base Cushion, Mechanical Suspension, Fabric


Features:

- Steel Back Construction.
- Heavy Duty Fabric Cover on High Density Foam.
- Specific Model Application.
- Adjustable Lumbar Support.
- Full Graphic Point of Sale Carton.
- Weight - 12 lbs.

PART NO.	DESCRIPTION
ACC 558	John Deere Base Cushion

Replacement Seat Cushions for the following John Deere models:

John Deere Tractors: 4040, 4240, 4440, 4640, 4840, 8440, 8640, 4050, 4250, 4450, 4650, 4850, 8450, 8650, 8850, 4055, 4455, 4755, 4955, 4560, 4760, 4960
 John Deere Combine Not Applicable
 John Deere Cotton Stripper: 7440

AG TRACTOR SEATS & CUSHIONS

John Deere Back Cushion, Mechanical Suspension, Fabric



Features:

- Steel Back Construction.
- Heavy Duty Fabric Cover on High Density Foam.
- Specific Model Application.
- Adjustable Lumbar Support.
- Full Graphic Point of Sale Carton.
- Weight - 12 lbs.

PART NO.	DESCRIPTION
ACC 55800	John Deere Base Cushion, Hydraulic

Replacement Seat Cushions for the following John Deere models:

John Deere Tractor: 4030, 4040, 4050, 4055, 4230, 4240, 4250, 4255, 4440, 4450, 4455, 4555, 4560, 4630, 4640, 4650, 4755, 4760, 4840, 4850, 4955, 4960, 8440, 8450, 8560, 8640, 8650, 8760, 8850, 8960

John Deere Cotton Picker Model: 9920

John Deere Cotton Stripper Model: 7440

International Harvester 3 Piece Replacement Cushion Set



Features:

- Steel Back Construction.
- Heavy Duty Fabric Cover on High Density Foam.
- Specific Model Application.
- Does not Include Hardware.
- Weight - 23 lbs.

PART NO.	DESCRIPTION
ACC 560	International Harvester 3 Piece

Replacement Cushions for the following International Harvester Tractor models:

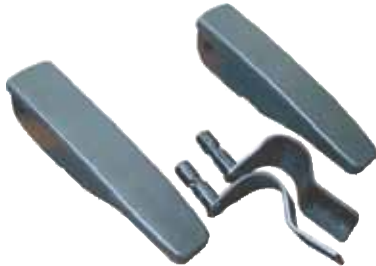
70, 70 (Hydro), 86, 86 (Hydro), 100 (Hydro), 375 (Hydro), 504 (Deluxe), 524, 525, 544, 544 (Row Crop), 560, 574, 606, 656 (Prior to s/n 14500), 666, 686, 706, 756, 766, 806 (Prior to s/n 14500), 666, 686, 706, 756, 766, 806 (Prior to s/n 14500), 826, 856, 966, 1026, 1066, 1206, 1256, 1456, 1466, 1468, 1468 (W/vert action), 1566, 1568, 2504 (Deluxe), 2652 (W/vert Action), 2706 (Deluxe), 2706 (W/vert action), 2756, 4100, 4156, 4166, 4186, (After s/n 19259) 0, 21026 (s/n 3000 up), 21026 (Std), 21256, 21456

International Harvester Combine Models: 105, 205, 212, 315, 403, 715, 815, 915

International Harvester Windrower Models: 100 (Hydro), 175, 375

LAWN & GARDEN/UTILITY SEATS ACCESSORIES

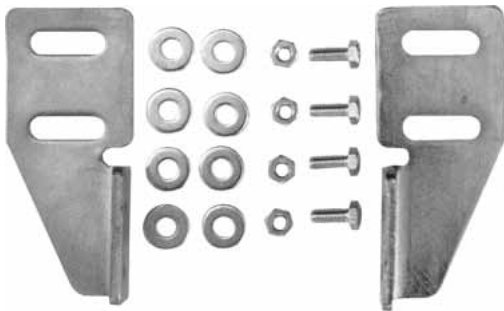
Adjustable Tilt Arm Rest


Features:

- Fits ACC 135, ACC450 & ACC 515 seats.
- Solid Polyurethane Construction.
- Adjustable Angle.
- Weight - 7.8 lbs.

PART NO.	DESCRIPTION
ACC 931	Adjustable Tilt Arm Rest

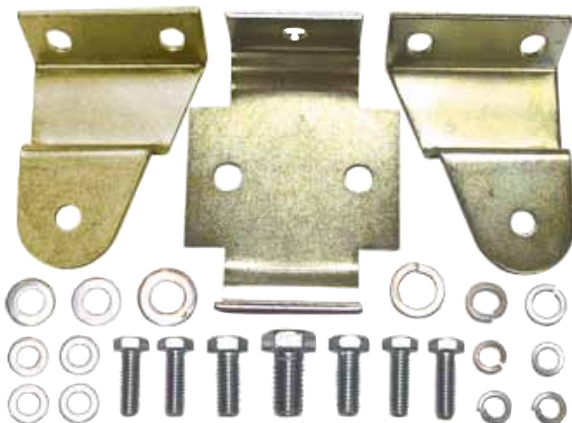
Universal Flip-Type Bracket Hardware


Features:

- Fits ACC 135, ACC 140 & ACC 520 seats.
- Hardware Package for Flip-Type Seats.
- Weight - 1.9 lbs.

PART NO.	DESCRIPTION
ACC 940	Universal Flip-Type Bracket Hardware

Ford/New Holland Bracket Hardware

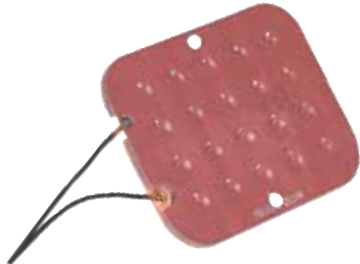

Features:

- Fits ACC 135.
- Hardware Package for Ford/New Holland Applications.
- Weight - 1.4 lbs.

PART NO.	DESCRIPTION
ACC 941	Ford/New Holland Bracket Hardware

LAWN & GARDEN/UTILITY SEATS ACCESSORIES

Wafer Switch with Leads



Features:

- Operator Presence Switch.
- 20" Wire Leads.
- Weight - .8 lbs.

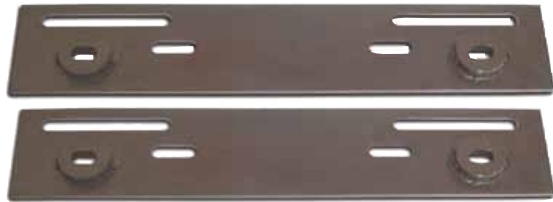
Fits Seat Models:*

135, 300, 320, 330, 340, 350, 440, 450

*May Fit other Seat Brands/Models

PART NO.	DESCRIPTION
ACC 920	Wafer Switch With Leads

Universal Slot Bar Set



Features:

- Converts any Bolt Pattern to Widths of 5" - 13.5"
- Set of 2 Bars.
- Weight - 6 lbs.

Fits Seat Models:*

110, 115, 120, 135, 140, 300, 330, 350, 360, 370, 390, 450

*May Fit other Seat Brands/Models

PART NO.	DESCRIPTION
ACC 945	Universal Slot Bar Set

Low-Profile Suspension with Weight Adjustment



Features:

- Low-Profile Suspension (4 inches).
- Weight Adjustment (88-268 lbs).
- Fully Skirted • Powder Coated.
- Weight - 26 lbs.

Fits Seat Models:*

110, 115, 120, 135, 140, 320, 340, 350, 370, 440, 450

*May Fit other Seat Brands/Models

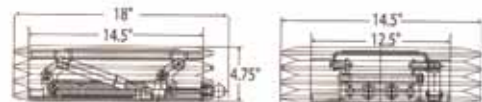
Bolt Patterns Top:

10.5" W x Slotted Slides

Bolt Patterns Bottom:

10.25" W x 5.25", 6.5", 8.63", 9.63", 10.75", 12", 12.75" D

PART NO.	DESCRIPTION
ACC 955	Low-Profile Suspension



LAWN & GARDEN/UTILITY SEATS ACCESSORIES

Narrow Suspension with Height & Weight Adjustment



Features:

- Weight Adjustment (88-268 lbs).
- Height Adjustment (0" x 2 3/8").
- Fully Skirted • Powder Coat Painted.
- Weight - 22 lbs.

Fits Seat Models:*

110, 115, 120, 135, 140, 320,340, 350, 370, 440, 450, 520 *May Fit other Seat Brands/Models

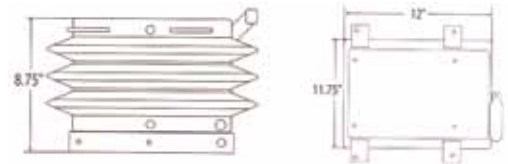
Bolt Patterns Top:

10.63" W x 7.63" (Tab), 5.25" W x 7.63" D

Bolt Patterns Bottom:

4.75" w x 8" D

PART NO.	DESCRIPTION
ACC 952	Narrow Suspension



Signal Horn



Features:

- Non-flammable
- Ideal for watercraft, industrial sites, sports and outdoor activities.
- Recommended for boats up to 12m (39.4 ft).
- 227g / 8 oz.

PART NO.	DESCRIPTION
ACC 46120	Double BP Air Horn

PART NO.	DESCRIPTION
ACC 46110	Air Horn Refill



TRACTOR WEATHER COVERS

Weatherbrakes

Keeps you warm when the cold winds blow!



FEATURES:

- Designed to pay for itself in extra tractor hours worked!
- Up to 40% more warmth and protection than many other Weatherbrakes with a big windshield and no loose gaps or needless holes to let in cold and wind.
- Tooled and tailored to a precise pattern for a tight fit on each make and model of tractor.
- Uniformly waterproof, rip-resistant reinforced vinyl laminate is 1/3 lighter than canvas and ten times stronger.
- Heavy construction - sewn with nylon thread using double lock seams in stress areas; reinforced brass grommets.
- Windshield is plate-polished and wrinkle and distortion-free for maximum visibility and minimum eyestrain.
- Extra heavy windshield is framed in steel with rigid plastic centre section and flexible plastic side windows.
- Rustproof extra heavy gauge steel frame features baked on enamel finish, heavily plated nuts and bolts, and galvanized springs.
- Models available for rear entry tractors and side entry tractors with three universal models fitting over 300 tractors.
- Fewer pieces to fit together means faster, easier installation with no special tools needed.

PART NO.	DESCRIPTION
ACC 895	Weatherbrake - Side Entry Large
ACC 896	Weatherbrake - Side Entry Small
ACC 897	Weatherbrake - Rear Entry



MODEL NO.	WINDSHIELD SIDE WINDOW ASSEMBLY	WINDSHIELD	LEFT SIDE WINDOW	RIGHT SIDE WINDOW
895	723	722	705	705
896	723	722	705	705
897	723	722	705	705

**See Page 25 for Complete Size Guide
and Page 26 for Custom Fit Sizes.**

UNIVERSAL WEATHERBRAKE SIZE GUIDE

Fits Make and Model

ALLIS CHALMERS

ROW CROP MODELS

897	WD and WD-45 (gas only)
895*	D-14 (1958-60)
895*	D-15 (gas and diesel)
895*	D-15 Series II and III (gas and diesel)
895*	D-17 (gas and diesel)
895*	D-17 Series III and IV (gas and diesel)
895*	D-17 Series III and IV LPG
895*	D-17 LPG (1958-62)
895*	D-19 (gas and diesel)
895*	D-21 Standard Tread Diesel also Series II
895*	One Eighty and One Eighty Five (gas and diesel)
895*	170 and 175 (gas and diesel)
895*	190, 190XT, 200 (gas diesel, LPG)

J.I. CASE

ROW CROP MODELS

897	DC
897	400 and 400 Diesel
895*	Gas 541, 541C, Diesel 531, 531C
895*	Gas 641, 641C, Diesel 631, 631C
897	Gas 711B, 713B, 811B, 813B, 741, 741C, 841, 841C, 843, 843C, Diesel, 701B, 703B, 801B, 803, 731, 731C, 831, 831C, 833, 833C
895*	Diesel 731, 731C, 831, 831C and Gas 741, 741C, 841 and 841C (730 and 830 Comfort King Serial No. 8253501 and up)
895*	LPG 741, 741C, 841 and 841C Models (730-830 Series Comfort King Serial No. 8253501 and up)
895*	Gas or LPG 941 and Diesel 931 also 1031

General Purpose Comfort King (Serial No. 8253501 and up)

Std. Tread & Utility Models - 1958 to date

895*	Gas 540, 640, 640C; Diesel 530, 530C, 540C, 630, 630C
895*	Diesel 730, 730C, 830, 830C, Gas 740, 740C, 840, 840C

Standard 4-wheel models;

Gas 732, 732C, 832, 832C, 842, 842C

Western Special Models (730-840 Series Comfort King Serial No. 8253501 and up)

895* Diesel 930 and LPG 940

Fits Make and Model

Standard 4-wheel models

Comfort King

895*	1031, 932, 942 Western Special Comfort King (gas and diesel)
------	--

COCKSHUTT

ROW CROP & UTILITY MODELS

897	Cockshutt 35 and 40
897	Cockshutt 550, 560, 570
896*	Cockshutt 550 Utl. (gas or diesel)
897	Cockshutt 770 Row Crop (gas or diesel)
895*	Cockshutt 1550, 1555, 1600, 1650, 1655 with standard and fuel tank fenders (gas and diesel)
895*	Cockshutt 1800 Row Crop (gas or diesel)
895*	Cockshutt 1800 Series C, 1850, 1950 Row Crop (gas and diesel) (adj. steering wheel)

DAVID BROWN

896*	770, 880, 885, 900, 950, 990 and 4600
895*	1200, 1210, 1212, 1410 and 1412

JOHN DEERE

ROW CROP MODELS

897	A, B and G (1947 to date)
897	520-50, 620-60, 720-70 (distillate and gas)
897	720-70 (diesel)
897	520-50 LPG, 620-60 LPG, 720-70 LPG
897	530, 630, 730
897	730 Diesel with Gas Engine Starter
897	530 LPG, 630 LPG, 730 LPG
896*	1020 and 2020 R.U., L.U., H.U. Gas or Diesel
895*	2010 Row Crop (gas and diesel)
895*	3010, 3020, 4010, 4020 Row Crop Models; 3020, 4320, 4020 Standard Tread; 3010, 4010 Standard Tread Models with Batteries under Platform. (gas, diesel, LPG) (Side Door Entry)
897	3010, 3020, 4010, 4020 Row Crop Models; 3020, 4320, 4020 Standard Tread; 3010, 4010 Standard Tread Models with Batteries under Platform (gas, diesel, LPT) (Rear Entry)
895*	4320, 4020, 3020, 2520, 4010, 3010, (2510) Row Crop, with or without Roll Gard
895*	4520 Diesel

Fits Make and Model

895*	5020 Row Crop (diesel)
895*	Lanz Models 710 and 510 (diesel)
895*	2010 Utility, gas and diesel
895*	3010, 4010 Standard Tread with Battery Boxes on Fenders: 4010W, 4020W Ind. Models (gas diesel, LPG)
895*	3020, 4020 Standard Tread with Operator Shields - 1965 Model
895*	3010 Utility and Ind., (gas, diesel, LPG)
895*	5010 and 5020 Diesel Standard
895*	2840, 2940 and 3130

FORD

896*	8N
896*	NAA, 600 and 800 (1955-56)
896*	700 and 900 (all models); Also 2000 and 4000 Row Crop, 1964 and Prior
896*	600 and 800 (all models); Also 2000 and 4000 All Purpose, 1964 and Prior
895*	Fordson Super Major, Major, Power Major and 5000 Super Major, 1964 and Prior
896*	4000, 4600 All Purpose (gas or diesel) 1965 and up
895*	4000 (4200) Row Crop (gas or diesel)
896*	5000 (5001), 5600, 6600, 7000 (7100) and 7600 All Purpose (gas or diesel) 1965 up
895*	5200 Row Crop (gas or diesel)
895*	6000 and 6000 Commander (gas or diesel) All Models
895*	8000 Diesel

INTERNATIONAL

ROW CROP MODELS

897	H and Super H, M, Super M, Super MTA (gas); No. 1217 Kit required for Diesels
897	Farmall 300 and 350
897	Farmall 400, 450, 500 Diesel and 450 Diesel
897	F-460, F-560 (gas, diesel, LPG)
895*	F-504 (gas and diesel)
895*	F-706, F-806, F-1206 (gas, diesel, LPG)
895*	F-656, F-544, F-666, Hydro 70, F-686 and Hydro 86
895*	F-756, F-856, F-826, F-1026, F-1256, F-1456 (gas and diesel) Incl. Hydrostatic Models

Standard & Utility Models

UNIVERSAL WEATHERBRAKE SIZE GUIDE

Fits Make and Model

895* I-756, I-856, I-1256 (gas or diesel)

895* I-826, I-1026, I-1456 (gas or diesel)

**MINNEAPOLIS-MOLINE
ROW CROP MODELS**

897 U and U Diesel Row Crop (all years), U Special and U Special Diesel

897 UB and UB Diesel, UB Special and UB Special Diesel

895* 5 Star Gas or Diesel

895* M-5, M-602, M-604 (gas and diesel)

895* M-5, M-602, M-604 LPG

895* Jet Star 3 (gas and diesel)

895* U-302 (gas and diesel)

895* M-670 (gas and diesel)

895* M-670 LPG

895* G-900 and G-1000 Row Crop Diesel

895* G-900 and G-1000 Row Crop LPG

895* Super M-670 (gas or diesel)

**FERGUSON, M-FERGUSON,
M-HARRIS**

897 30, 33, 44, 333, 444, and 44 Special

896* 50 and 65 High Clearance or Row Crop Gas, Diesel and LPG; Ferguson Hi-40

895* 85 Row Crop Hi-Arch

895* Super 90 Row Crop (gas, diesel, LPG)

896* 135 and 2135 (gas or diesel)

896* 150 Row Crop and Standard with Upright Exhaust Rear of Manifold (gas or diesel)

896* 165 Row Crop and Standard with Upright Exhaust Front of Manifold (gas or diesel)

896* 175 Utility with Upright Exhaust Front of Manifold (gas or diesel)

895* 180 Row Crop with Upright Exhaust Rear of Manifold (gas or diesel)

895* 180 Row Crop with Upright Exhaust Front of Manifold

895* 1100 and 1130 Row Crop or Hi Clearance (diesel)

896* 35 Utility (gas and 4 cyl. diesel); Ferguson 35

896* 50 and 65 Util. (gas, diesel, LPG); Ferguson 40

897 95 Super (1960), 95 and 97

Fits Make and Model

WHITE-OLIVER

ROW CROP MODELS

897 77 and 88, 770 and 880, gas or diesel

895* White 2-70, 1550, 1555, 1600, 1650, 1655 with standard and fuel tank fenders, gas and diesel

895* 1800 and 1900 Row Crop

895* 1800 Series C, 1850, 1950 Row Crop (gas and diesel) (Adj. Steering Wheel)

Standard and Utility Models

896* Super 55 and 550

896* 500 Utility

* Side Door Open Style

CUSTOM WEATHERBRAKE SIZE GUIDE

Fits Make and Model

ALLIS CHALMERS

WITH/WITHOUT 2 POST ROPS

- 900 WD & WD45 (rear entry)
 1122* D-17 (1958-62) (gas)
 1186* D-17 Series III & IV (gas and diesel)
 1412* 170 & 175 (gas and diesel)
 1422* 190, 190XT & 200 (gas, diesel, LPG)

CASE

WITH/WITHOUT 2 POST ROPS

- 1338* 930, 931 (diesel) 940, 941 (gas and LPG) (Serial No. 8253501 and up)
 1030 Series 1031 (diesel)
 1341 731, 731C, 831, 831C (diesel) 741, 741C, 841, 841C (gas) (730, 830)
 Serial No. 8253501 and up
 1432* 770, 870, 970, 1070, 1170, 1175 Row Crop (gas and diesel)
 1485* 1490, 1690 Low Profile Upright Exhaust

CASE IH

WITH/WITHOUT 2 POST ROPS

- 2104* 5120, 5130, 5140 (Maxxum) (with or without loader)

Case/David Brown

with/without 2 post ROPS

- 1451* 880, 885, 990, 995, 4600 (1965 to date)

JOHN DEERE

WITH/WITHOUT 2 POST ROPS

UNLESS INDICATED

- 1094 520, 630, 730 (LPG, gas, diesel) w/Electric Starter - Rear Entry
 1317 2510, 2520, 3010, 3020, 4000, 4010, 4020, 4320, (2510, 2520 Tractors require Kit No. 1278 to install WeatherBrake) (rear entry)
 1425* 4520, 4620 (gas, diesel, LPG)
 1436* 2510, 2520, 3010, 3020, 4000, 4010, 4020, 4320, (2510, 2520 Tractors require Kit No. 1278 to install WeatherBrake)
 1443* 4030, 4040, 4050, 4055, 4230, 4240, 4250, 4255, 4430, 4440, 4450, 4455, 4555, 4650, 4640, 4650, 4755 WeatherBrake for tractors without 4-post ROPS and with rigid steering column only
 1470* 820, 830, 920, 1020, 1030 (1976 models), 1120, 1520, 1530, 1630 (1976 models), 1830 (1976 models), 2020, 2030, 2120, 2630 (RU, HU, LU), (2040, 2240, 2440, 2640, All Serial Nos.) (New Generation Models with Low Platform 1140, 1840, 2050, 2150, 2155, 2350, 2355, 2550, 2555, 2750, 2755) (Canadian 1130) (Fits with 800 mm, 900 mm folding or non-folding ROPS) (Will not fit 146 Loader)
 1471* 1050
 1475* 2840, 2940, 2950, (2955 with rigid steering column only); (Canadian 3130, 3140) (fits with 800 mm, 900 mm folding or non-folding ROPS)
 1476* 2750, 2755 high platform, with 900 mm folding or non-folding ROPS
 1477* 850, 950 Up or Down Exhaust & Power Steering
 1482* 650, 750 Up Exhaust Only
 1483* 1250, 1450, 1650, Up Exhaust Only

Fits Make and Model

- 2008* 655, 755 & 855
 2022* 2955, 3150, 4030, 4040, 4050, 4055, 4230, 4240, 4250, 4255, 4430, 4440, 4450, 4455, 4555, 4630, 4640, 4650, 4755 with 4-post ROPS and John Deere Canopy RE 19445
 2097* 870, 970, 1070 (w/wo Loader)
 2125* Fits Models 5200, 5300, 5400 (2 or 4 wheel drive with or w/o John Deere 500 Series Loader)

FORD

WITH/WITHOUT 2 POST ROPS

- 914* 8N
 1080* 600, 800 (All Models) 2000, 4000, All Purpose (1964 & Prior)
 1457* 2000, 2100, 2600, 3000, 3100, 3600, 4000SU, 4600SU All Purpose (1965 up)
 1458* 5000, 5100, 5600 (LA-1) 6600 (EA-1), 7000, 7100, 7600 (FA-1) All Purpose
 1459* 4000, 4100, 4600 (DA-1) All Purpose
 1467* 6700, 7700, TW10, TW20 (Flat Deck or Row Crop)
 1496* 1300, 1310, 1500, 1510, 1700, 1710 (Straight Trans & Hydro)
 2101* 1720, 1920 (with or without Loader)

INTERNATIONAL

WITH/WITHOUT 2 POST ROPS

- 975 M, MD, Super M, Super MTA, MDTA, Super MD
 1011 300, 350 Also H and Super H by using Kit No. 1218
 1012 400, 450 (diesel and gas); Also Super M, M, MD, Super MD, Super MTA, Super MDTA by using Kit No. 1218
 1072 F460, F560 (gas, diesel, LPG)
 1331* F706, F806, F1206 (gas, diesel, LPG)
 1421* F544, F656, F666, F686, Hydro 70, 86 Includes Hydrostatic and Hi-Clear (gas, diesel)
 1429* F756, F826, F856, F1026, F1256, F1456 (Hydrostatic Models) (gas, diesel)
 1439* F766, F966, F1066, F1466, F1566, Hydro 100 (Hydrostatic Models) (gas, diesel)
 1440* I-454, I-464, I-574, I-674 (hydrostatic, gas, diesel)
 2005* I-484, I-584, I-684, I-784, H84 & 884, 485, 585, 685 & 885
 2234* F-504 (gas or diesel)
 2274* I-786

CUSTOM WEATHERBRAKE SIZE GUIDE

Fits Make and Model

MASSEY FERGUSON

WITH/WITHOUT 2 POST ROPS

- 1187* 50, 65 (Matic Row Crop or Hi-Arch) (gas, diesel, LPG)
- 1345* 135, 2135 (gas, diesel)
- 1370* 165 (Row Crop & Standard with Upright Exhaust Front of Manifold) (gas, diesel)
- 1372* 180 Row Crop with Upright Exhaust Front of Manifold (gas, diesel)
- 1455* 255, 265, 275, 285 (gas, diesel) (up or down exhaust)
- 2000* 240, 250
- 2095* 375, 383, 390, 398 (with or w/o Loader) (up exhaust only on left side)

MINNEAPOLIS MOLINE, OLIVER, WHITE, COCKSHUTT

WITH/WITHOUT 2 POST ROPS

- 1081 Oliver - 77, 88, 770, 880 Cockshutt 770 Row Crop (gas, diesel)
- 1325* Oliver & Cockshutt 1750, 1800, Series C, 1850, 1950 Row Crop (gas, diesel) (adj. steering wheel)
- 1453* Oliver - 1255, 1265, 1350, 1355, 1365, 1465 (upright exhaust only); Cockshutt & White - 1255, 1265, 1270, 1350, 1355, 1365, 1370, 1465, 1470 (upright exhaust only); Minn. Moline - G350, G450 (upright exhaust only); White - 2050, 2-60
- 1460* Oliver & Cockshutt - 1550, 1555, 1600, 1650, 1655; White - 2-70; Minn. Moline - G550, G750 (standard & fuel top fenders)
- 1461* Oliver & Cockshutt 1755, 1855, 1955 (Row Crop); White - 2-85, 2-105 (Row Crop); Minn. Moline - G850, G940 (std. & fuel top fenders)
- 2103* White 60 * 80 hp American Series with or w/o Loader

* Side Door Models

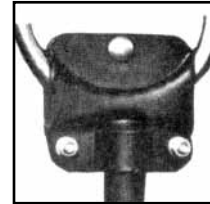
- Available from existing stock ONLY, no longer in production.

SUN SHADES



3-BOW SUNSHADE SYSTEMS

- Maximum Shoulder Room.
- Replaceable Parts.
- Quick release for Fold-Up.
- 2-Way Control.
- Galvanized Tubular Construction.
- The Finest in Sun Protection!



Lever locking tilt adjustment bracket. Holds canopy at any position –directly overhead or to front or rear. Included in optional Axle or Fender Mounting Kits.

PART NO.	DESCRIPTION
ACC 2084	40" 3-Bow sunshade w/canopy
ACC 2085	Canopy only, 40" 3 bow - white
ACC 2081	Canopy only, 40" 3 bow - yellow
ACC 2083	Canopy only, 48" 3 bow - yellow
ACC 2110	Canopy only, 48" 3 bow - Massey Red
ACC 0062	Axle Mounting Bracket
ACC 0064	Fender Mounting Bracket
ACC 0065	Fender mounting bracket (for mounting on top of fenders less than 39" wide) designed especially for Ford & Massey Ferguson

Optional Axle or Fender Mounting Must Be Ordered Separately



Bracket No. 0062 for most row crop or general purpose models without fenders.



Bracket No. 0064 for most standard, utility and row crop models with fenders. Width and height adjusts.



Bracket No. 0065 for mounting on top or side of fenders on the smaller size and or utility tractors (Ford, Case, Allis Chalmers, David Brown, Massey Ferguson, etc.)

HINSON SUN SHADE CANOPY IS BIGGER & MORE FLEXIBLE

The Hinson Sun Shade also has 4-times the shoulder room of ordinary buggy tops. It offers more flexibility and can be adjusted from the seat. Operator merely loosens brackets holding curved bows to tilt canopy front or back to ward off sun and rain. The tractor operator can mount without ducking around bows. It's bigger, to offer greater protection. Sun-shade is built to withstand strong winds and is engineered to reduce shimmy and shake. Brightly plated tubular bows resist metal fatigue. Rust resistant fasteners are used throughout... no rivets in the bow assembly that can break or work loose. Should the canopy ever become damaged, it may be replaced.



Tilt adjusts from seat quickly and easily. Operator merely loosens brackets holding curved bows to tilt canopy front or back to ward off sun and rain.



Half-open position allows operator to stand. Trigger release fold-away assembly provides fingertip release of bows for quick adjustment to stand-up position.



Folded position allows canopy to clear low barn doors and tree limbs.

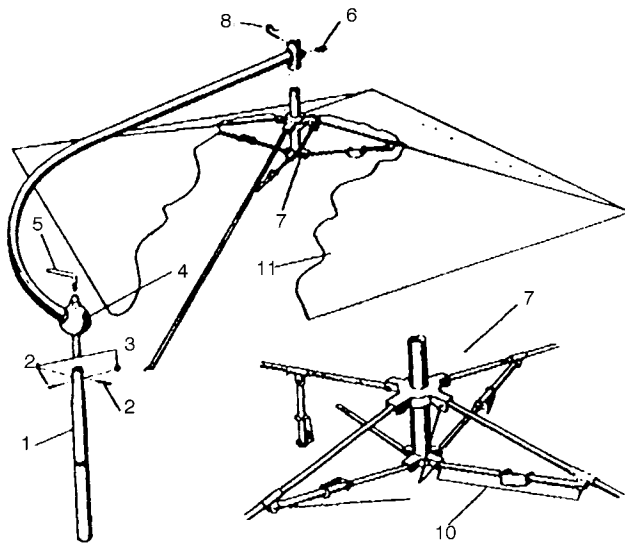
DELUXE KARI-BAK UMBRELLA



For Tractors, Combines, Industrial, and Other Self-Propelled Equipment to Insure Protection against Wind, Rain, Dust, and Sun

Standard Features

- Metal parts zinc-coated for long-lasting, maintenance-free service.
- Shafts constructed of 1 1/4" heavy duty steel tubing.
- Rigid framework for cover, to withstand farm and industrial use.
- Made of water repellent white cotton duck.
- Adaptable to all types of equipment.
- Tilting feature permits front, back, or side protection without operator interference.
- Can be used with other existing brackets.
- Standard umbrella cover is 25% heavier than competitive brands.
- Umbrella covers are 54" wide with hems to prevent fraying, with leather reinforcing for grommets.



PART NO.	DESCRIPTION
ACC 2073	Umbrella Cover (white)
ACC 2126	Umbrella Frame c/w Mounting Bracket
ACC 2016	Universal Mounting Bracket

UMBRELLA PARTS		
REF	PART NO.	DESCRIPTION
1	ACC 211253084	Umbrella Support Shaft
2	SOURCE LOCAL	10-24 x 1 1/4 hex washer hd mach. screw
3	SOURCE LOCAL	10-24 s/f Nut
4	ACC 220602684	Curved Shaft
5	ACC 211253684	Swivel Ball Locking Handle
6	SOURCE LOCAL	3/8"-16 x 3/4 sq. hd. bolt
7	ACC 220602584	Umbrella Frame assembly
8	ACC 297002284	Spring Safety Clip
9	ACC 2016	Universal Mounting Bracket (not shown)
10	ACC 220705284	Connector w/clip
11	ACC 2073	Canopy (white)
12	ACC 729212600	Hardware Bag

GRAIN MOVING ACCESSORIES

Polyethylene Grain Hoppers

Features

- Roto-molded of premium grade, low density polyethylene.
- Strong polyethylene straps.
- Rugged polyethylene hoppers with proven performance under extreme temperature and operating conditions.
- A style and size to suit all your grain handling needs.

Mini Hopper



Designed to assist you in moving your grain to the maximum capacity of 4" to 5" augers, (30" x 23 1/2" x 17" - weight 7 lbs.)

Standard Hopper



Designed to assist you in moving your grain to the maximum capacity of 6" to 10" augers, (47" x 41" x 24" - weight 17 lbs.)

Big Daddy Hopper



Developed specifically for high capacity grain handling systems with augers up to 13" in diameter. With this hopper your auger will operate at top efficiency. (50" diameter, 19 1/2" deep, weight 35 lbs.)

PART NO.	DESCRIPTION
HOP GH50	Mini Hopper
HOP GHS101	Replacement Straps

PART NO.	DESCRIPTION
HOP GH100	Standard Hopper
HOP GHS101	Replacement Straps

PART NO.	DESCRIPTION
HOP GH200	Big Daddy Hopper
HOP GHS201	Replacement Straps

Flexible Discharge Spouts



PART NO.	AUGER SIZE	AUGER DISCHARGE
HOP GP085	6", 7", or 8"	Oval
HOP GP0105	10"	Oval
HOP GPR75	6" or 7"	Round
HOP GPR85	8"	Round
HOP GPR105	10"	Round
HOP GPR135	13"	Round

Features

- Corrosion and impact resistant polyethylene sections that will not dent or rust.
- Hard wearing adjustable web harness for easy fit to any auger.
- Safe smooth edges.
- Sections nest for maximum flexibility.
- Five 12" sections extend to 43".

Flexahopper

Agri-Hopper

- UV resistant
- Bright colours for night/low light.
- Easy and complete cleanout design.
- Will not sag or droop.

PART NO.	DESCRIPTION
HOP AH-8	Agri-Hopper 8" Green
HOP AH-10	Agri-Hopper 10" Orange
HOP AH-13	Agri-Hopper 13" Orange



GRAIN MOVING ACCESSORIES

Flexhopper

25 Deg Flex Transition & Flex Step Buckets

- Will not damage your equipment
- Directs grain without blowing around in the wind

PART NO.	DESCRIPTION
HOP 10-25	10" 25 Deg 4 Sec Downspout
HOP 8-25	8" 25 Deg 4 Sec Downspout



No Snag Round Downspout

- "No snag" design
- Will not damage your equipment.

PART NO.	DESCRIPTION
HOP 10RDS	10" No Snag Round Downspout
HOP 13RDS	13" No Snag Round Downspout
HOP 16RDS	16" No Snag Round Downspout



Telescoping Drill Fill Downspouts

Features

- Corrosion and impact resistant polyethylene pipe.
- Moulded stress free rugged coupling.
- Polypropylene web handle.
- Wire reinforced flexible tubing is 18" long.
- Stainless steel clamp for securing, flexible tubing to drill fill.
- Riveted construction.



PART NO.	DIAMETER OF FLEX	LENGTH OF FLEX	PIPE LENGTHS	OVERALL NORMAL LENGTH
HOP 2-100	5"	18"	7'	14'
HOP GP186	6"	18"	7'	14'

PART NO.	DESCRIPTION
HOP GP004	4" FLEX
HOP GP005	5" FLEX
HOP GP006	6" FLEX
HOP GP007	7" FLEX
HOP GP008	8" FLEX

Replacement Flex (18" length)

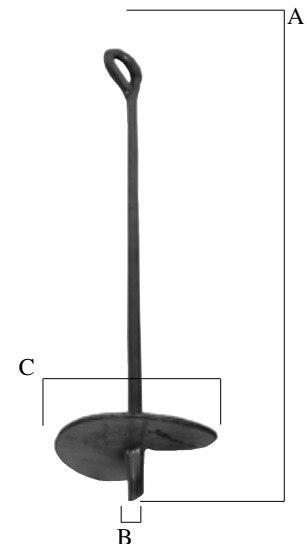
Replacement flex is available (by special order) in bulk length up to 6 feet.

ANCHORS

Great for holding down large tarps!

Many more applications. Solid steel. Economically priced.

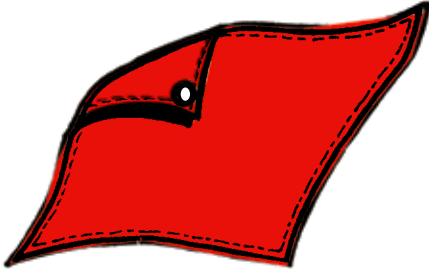
PART NO.	SIZE A	SIZE B	SIZE C
ACC 6210	15 1/2"	1/2"	3"
ACC 629	28"	1/2"	3"
ACC 627	36"	1/2"	4 1/2"
ACC 626	48"	5/8"	4 1/2"
ACC 625	24"	5/8"	6"
ACC 628	36"	5/8"	6"
ACC 624	48"	5/8"	6"



SIGNS & STRAPS

Slow Moving Vehicle Signs

Red Nylon Flag with Grommet



PART NO.	DESCRIPTION
ACC SVE-5	12" x 12"
ACC SVE-6	18" x 18"

Mounting sockets w/hardware



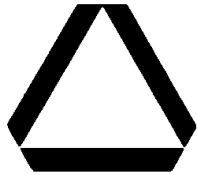
PART NO.
ACC 112201

Spade Mounting Assembly



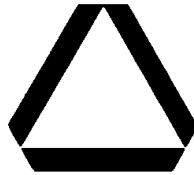
PART NO.
ACC 112409

Fanny Flag on rugged molded backing



PART NO.
ACC 101600

Fanny Flag on prepunched metal backing



PART NO.
ACC 101105

Fanny Flag decal with cold weather adhesive for direct application

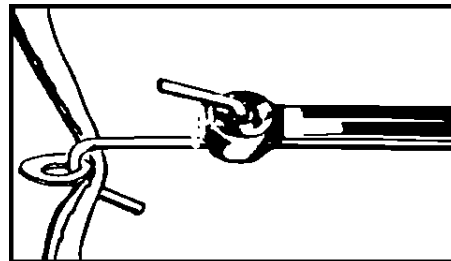


PART NO.
ACC 101303

EVERY FANNY FLAG EMBLEM IS INDIVIDUALLY CERTIFIED ON THE FACE AS REQUIRED BY CS D-198

Black Rubber Tarp Straps

PART NO.	DESCRIPTION
ACC TS10	10"
ACC TS15	15"
ACC TS22	22"



SIGNS & STRAPS

Value Packs

Soft Grip Ratchet Strap

- 4 of 1" wide x 10' long.
- 1,200 lb. maximum load.
- Heat treated vinyl coated hooks.
- Fully rubberized handle & thumb release.
- Great for dirt bikes, ATV's, trailers, and more!



PART NO.
ACC 01415

Ratchet Strap

- 4 of 1" wide x 10' long.
- 900 lb. maximum load.
- ratchet locks tight w/quick release.
- Clam size 18.50" long x 11.75" high.



PART NO.
ACC 01418

Cam Strap

- 4 of 1" wide x 5 1/2' long.
- 900 lb. maximum load.
- Quick lock cam buckle.
- Clam size 15.5" long x 11.5" high.



PART NO.
ACC 05605

Ratchet/Anchor Combo

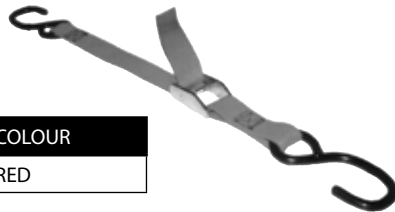
- 2 of 1" wide x 10' long ratchet straps w/4 of anchor rings.
- 500 lb. maximum load.
- Heat treated vinyl coated "S" hooks.
- Zinc plated anchor rings.
- Clam size 9.50" long x 14" high.



PART NO.
ACC 01408

Light Duty Cam Straps

- 1" wide x 10' long.
- 750 lb. maximum load.



PART NO.	COLOUR
ACC 01100	RED

Light Duty Ratchet Straps

- 1" wide x 15' long.
- 500 lb. maximum load.



PART NO.	COLOUR
ACC 42496LD	RED

Medium Duty Cam Straps

- 1" wide x 15' long.
- 750 lb. maximum load.



PART NO.	COLOUR
ACC 42484SP	BLACK

Medium Duty Ratchet Straps

- 1" wide x 15' long.
- 1,200 lb. maximum load.



PART NO.	COLOUR
ACC 42496SP	BLUE

SIGNS & STRAPS

Motorcycle Tie-Downs - 2 Pks

- 1" wide x 6' long.
- 750 lb. maximum load.



PART NO.	COLOUR
ACC 05701	RED

3,000 lb. Ratchet Straps

- 1" wide x 15' long.
- 3,000 lb. maximum load.



PART NO.	COLOUR
ACC 01316	YELLOW

5,000 lb. Ratchet Straps

- 2" wide x 15' long.
- 5,000 lb. maximum load.
- 1,650 lb. SWL.

PART NO.
ACC 52596SP

- 2" wide x 25' long.
- 5,000 lb. maximum load.
- 1,650 lb. SWL.

PART NO.
ACC 52596SP-25



Car/Machinery Straps

Machinery Tie-Down

- 2" wide x 7' long.
- 10,000 lb. maximum load.
- 3,300 lb. SWL.
- Twisted snap hook.

PART NO.
ACC 08504



Axle Strap

- 2" wide x 24" long.
- 10,000 lb. maximum load.
- 3,300 lb. SWL.
- Twisted snap hook.

PART NO.
ACC 08505



Winch Straps

- 4" wide x 30' long.
- 18,000 lb. maximum load.
- 6,000 lb. SWL.
- Twisted snap hook.

PART NO.
ACC 101-830FBWS



Marine Winch Straps

- 2" wide x 15' long.
- 3,300 lb. maximum load.
- Flat hook w/safety latch, bolt-on.

PART NO.
ACC 06500



SIGNS & STRAPS

Tow Straps

- 2" wide x 15' long.
- 8,500 lb. maximum load.

PART NO.

ACC 09200



Tow Straps w/chain Leads

- 3" wide x 25' long.
- 18,000 lb. maximum load.
- 18" chain lead on one end, super hook on the other end.

PART NO.

ACC 509800



Recovery Straps

If you want the best "Recovery Strap" in the industry you need to carry "**Erikson Recovery Straps**". The USA made nylon is rated at 10,000 lb. for every inch of width. On top of that we use a 415 nylon thread and sew each strap 12" long every 1/4" across the width of the strap. When using, simply attach loops to tow hooks on your vehicle. With vehicles that are stuck, the web will stretch 20-25%. Once it tightens up, it should sling shot the stuck vehicle out, giving what we call "Snatch-Action". If the first pull is not satisfactory, do it again with more force.

Caution... always make sure the strap does not come into contact with any sharp edges (bumper, etc.) Guard the web with old rags, coat, carpet, etc. to prevent cutting during the pull.

As for the pull area that takes the brunt of the wear, a lot of our competitors simply twist the web or do nothing at all. We go one step further by wrapping the pull area with high tenacity nylon which is a special fibre designed to take a lot of wear. The army and navy require this material on all web products where constant use and abuse occurs.

Our straps will last longer and you can be assured your customer is getting the best product to do the job.

Bulk Display Box of Recovery Straps

- 4" wide x 30' long.
- 35,000 lb. maximum load.
- 2 pack in display box.

PART NO.

ACC 059801



- 6" wide x 30' long.
- 55,000 lb. maximum load.
- 2 pack in display box.

PART NO.

ACC 059802

Clam Packed Recovery Straps

- 1" wide x 15' long.
- 7,500 lb. maximum load.

PART NO.

ACC 09350



- 2" wide x 20' long.
- 18,000 lb. maximum load.

PART NO.

ACC 09500



- 3" wide x 20' long.
- 27,000 lb. maximum load.

PART NO.

ACC 09700



SIGNS & STRAPS

Truck & Trailer Anchors

5,000 lb. Recessed Anchor Ring

PART NO.

ACC 09114



1,200 lb. Surface Mount Anchor

PART NO.

ACC 09110



1,200 lb. Wire Ring

PART NO.

ACC 09108



5,000 lb. Wire Flip Ring

PART NO.

ACC 09170



15,000 lb. Weld On Flip Anchor Ring

- 5/8" forged ring.

PART NO.

ACC 09168



20,000 lb. Weld On Flip Anchor Ring

- 3/4" forged ring.

PART NO.

ACC 09169



Bungee Cords

Bungee Cord Wire Hooks

- Bags of 100.
- 3/8" (10 mm).

PART NO.

ACC 05406



Roll of Bungee

- 5/16" x 250'.
- Use with display unit.

PART NO.

ACC 5292



Adjustable Bungee Cord Display

- Includes (1) 05292 250' roll of bungee,
- (1) 05296 100 pack of hooks.
- Comes with 2 clips to mount in peg board or set on shelf.
- Make your own.
- Simple.
- Sells great!

PART NO.

ACC 5289BLK



Adjustable Hooks

- Box of 100.
- Patented.

PART NO.

ACC 101-5296



Tarp Straps

- 10 pack.
- 4 of 10", 2 of 15", 2 of 21", 2 of 31".
- Made from natural rubber.

PART NO.

ACC 06610



Standard Rubber Tarp Straps

PART NO.	DESCRIPTION
ACC TS10	10" length
ACC TS15	15" length
ACC TS22	21" length



Tarp Clip

- 3 pack.

PART NO.

ACC 01029



JACKS

Agricultural Jacks

- Ideal for use with ag, industrial, commercial, recreational and many other types of trailers.
- Bracket models available with a durable black powder coat outer tube and with a durable zinc finish inner tube or with a durable clear zinc finish outer and inner tubes.
- Bracket mount and pipe mount top wind models come standard with a comfortable red claw knob on a clear zinc solid bar handle that can be folded away when not in use.
- All bracket mount models have a deep seated snap ring for side load support and also include a raw weld on bracket.
- All pipe mount models include a pin and lanyard assembly as well as a 2" raw male mating pipe.
- All bracket mount and pipe mount models come standard with a grease zerk for easy greasing of jack.
- All bracket mount and pipe mount models come standard with a welded on 3-3/4" x 7-1/2" durable zinc finish sand foot.



Side Wind - Ring Mount

PART NO.	LIFT	LIFT RATING	PULL PIN SIZE
JAC SLR10-SW	10"	5,000 lb.	5/8"
JAC SLR15-SW	15"	5,000 lb.	5/8"

Top Wind - Ring Mount

PART NO.	LIFT	LIFT RATING	PULL PIN SIZE
JAC SLR10-TW	10"	5,000 lb.	9/16"
JAC SLR15-TW	15"	5,000 lb.	9/16"

Side Wind - Flange Mount

PART NO.	LIFT	LIFT RATING	PULL PIN SIZE
JAC SLF10-SW	10"	5,000 lb.	5/8"
JAC SLF15-SW	15"	5,000 lb.	5/8"

Top Wind - Flange Mount

PART NO.	LIFT	LIFT RATING	PULL PIN SIZE
JAC SLF10-TW	10"	5,000 lb.	9/16"
JAC SLF15-TW	15"	5,000 lb.	9/16"

Parts for RAM Jacks

PART NO.	DESCRIPTION	Fits SLR-SW	Fits SLR-TW	Fits SLF-SW	Fits SLF-TW
JAC TJA-2000S	Bearing Kit for Sidewind Jacks	✓		✓	
JAC 280002-17	2" OD Internal Mount Tube 9/16" Pin		✓		✓
JAC TJP-IP58	2" OD Internal Mount Tube 5/8" Pin	✓		✓	
JAC TJP-PN916	9/16" Pin w/chain		✓		✓
JAC TJP-PN58	5/8" Pin w/chain	✓		✓	

REPLACEMENT PARTS ARE AVAILABLE FOR IMPORT JACKS!

JACKS

Heavy Duty Jacks

Quality Imported Heavy Jacks



JAC 7015TW-DLIMP



JAC 7015SW-DLIMP



JAC 12015SW-DLIMP

PART NO.	DESCRIPTION	MAX WEIGHT	LIFT
JAC 7015TW-DLIMP	Jack, HD Square Tubing, with Telescoping Leg, Top Wind	7,000 lbs.	26" Lift
JAC 7015SW-DLIMP	Jack, HD Square Tubing, with Telescoping Leg, Side Wind	7,000 lbs.	26" Lift
JAC 12015SW-DLIMP	Jack, Side Wind with Telescoping Leg	12,000 lbs.	26" Lift

JACKS

HammerBlow Jacks

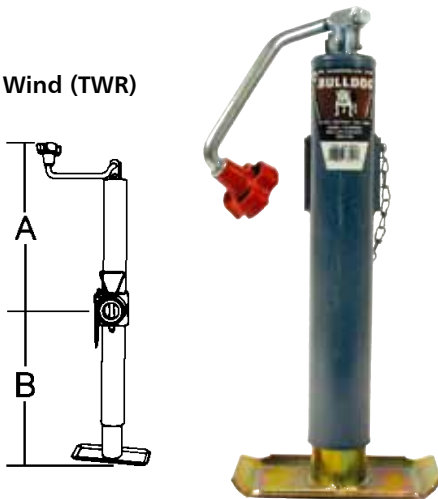
Clearance Dimensions Fully Retracted Foot

PART NO.	CAPACITY	A	B
JAC 5010TWR	5,000 lb.	7 ¼"	11 ¼"
JAC 5015TWR	5,000 lb.	13 ¼"	14 ½"
JAC 5010SWR	5,000 lb.	6 ¼"	10"
JAC 5015SWR	5,000 lb.	6 ¼"	15"

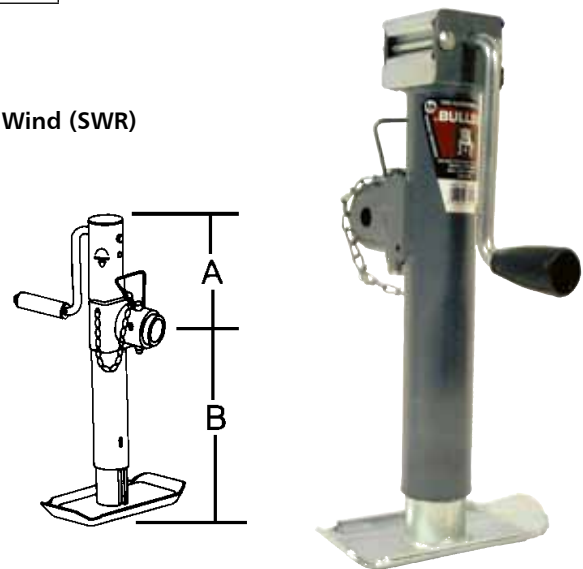


Tough and Trusted

Top Wind (TWR)



Side Wind (SWR)



Features:

- Engineering test programs have determined the optimum "Tube Overlap" to minimize side load failures.
- "Outer Tube" is engineered to handle both vertical and side loads with ease. Provides dependability and long life.
- "Inner Screw" features rolled Acme Threads providing long lift and low handle effort. Nearly a half-century of proven, dependable service in the field.
- Extensive lab and field testing of "Inner Tube" guarantees an extra margin of strength and durability.
- Large load-bearing "Disc Foot" provides stability you can count on.
- Reduced "Handle Effort" achieved through use of alloy Nut and Thrust Bearings. Extensively field tested and proven on the job.
- "Handle" is right length for smooth cranking action – eight turns per inch of travel. Folds and locks out of the way when not in use. Hefty Knob is secure and comfortable in hand.
- "Extrusions" on swivel Plate Face provide clearance so dirt can fall free.
- Made in USA.

JACKS

HammerBlow Jacks

7,000 lb. Lift Capacity Sidewind Drop Leg 190 Series Square Tube Jack

Features:

- 15" travel.
- Large 6" x 8" disc foot provides the utmost in stability.
- Five holes in drop leg provide 13 1/2" of additional adjustment saving the operator precious time.
- Ample 2 1/2" square outer tubing ensures easy mounting anywhere.
- All surfaces finished to provide protection against corrosion.
- Jack is welded directly to frame.
- Dimensions: 22.95" fully retracted; 51.45" fully extended.



Tough and Trusted



PART NO.	MODEL NO.	WEIGHT	DESCRIPTION
JAC 7015SWR-DL	SWL190DL	26 lb.	Sidewind Drop Leg Jack with Std. Disc Foot
JAC 017025			Bearing Sleeve
JAC 500156			Gear Kit
JAC 500171			Handle Assembly Kit
JAC 700510			Base
JAC 700634			Bearing Kit

10,000 lb. Lift Capacity Sidewind Spring Return Drop-Leg Square Jacks

Features:

- 12,000 lb. static load capacity.
- Force-reducing gear ratios allow you to crank smoothly under load with little effort.
- All surfaces are coated for weather-resistance.
- Square tubing mounts anywhere.
- Long lasting non-welded bearing seat.
- Sure stop protection built in.
- Smooth, trouble-free cast iron screw nut.
- Hole in outer tube for screw and nut lubrication.
- Tubing painted gray with anti-corrosive primer.
- Telescoping legs formed of heavy-wall, square steel tubing.
- 5 locking position reinforced against hole elongation and loss of compression strength.
- Locking cam assist plunger pin.



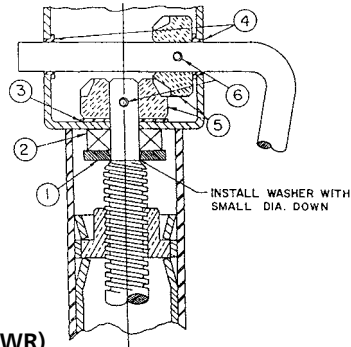
Tough and Trusted



PART NO.	MODEL NO.	WEIGHT	DESCRIPTION
JAC 10125SWR-DL	SWQ 180 DL-BC-SR	61 lb.	Sidewind Drop Leg Jack with spring return, std. disc foot & crank

JACKS

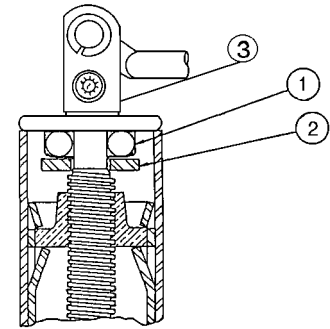
HammerBlow Jacks



Side Wind (SWR)



Tough and Trusted



Top Wind (TWR)

REF.	PART NO.	DESCRIPTION	QTY.
1	JAC 015190	Thrust Washer	1
2	JAC 011307	Thrust Bearing	1
3	JAC 016022	Wear Plate	1
4	JAC 017011	Bushing, Flanged	2
5	JAC 500106	Gear Kit (2 gears, 2 pins (Ref. 6), & 1 gear pin)	1
6		Pins (available in #5 kit)	
	JAC 015912	Washer 1/2" x 7/8"	1
	JAC 700056	Crank Assy (not shown)	
	JAC 700005	5/8" Pin and Chain Assy (not shown)	
	JAC 005006	Male Mount Tube 5/8" Pin (not shown)	

REF.	PART NO.	DESCRIPTION	QTY.
1	JAC 011307	Thrust Bearing	1
2	JAC 015190	Support Washer	1
3	JAC 018917	Crank Assy	1
	JAC 018403	Pin & Chain assy 9/16"	
	JAC 015273	Male mount tube 9/16" Pin	

Tongue Jacks Merchandiser

Boost your aftermarket Jack Sales with this attractive, sturdy Jack Stand!

- Has four tubular mount locations
- three are for 9/16" pins, one is for a 5/8" pin.
Retaining ring bracket included. Other mounting options available on request.
- Jacks on display are fully operational - swivel and crank.
- Four heavy tubular steel legs - Easy to assemble in minutes! (Parts shown on left)

PART NO.

PRM 600054



JACKS

Bulldog A-Frame Jack

5,000 Lb. Topwind
Model TWL 155HD

Features:

- A-Frame mounting design.
- Will accept steel caster wheel (sold separately).
- Will accept detachable disc foot (sold separately).
- Made in USA.
- 15" of travel adjustments.
- Ideal for recreation or stock trailers.
- Weighs 13.3 lbs. without wheel or disc foot.



Tough and Trusted



PART NO.

JAC A5015TW

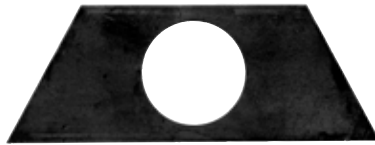
Accessories for A-Frame Jack

Bottom Support Plate for A-Frame Mount

- Required where tongue loads are excessive, requiring increased side load strength or when "A" frame jack is used with casters.
- 2.312" ID

PART NO.

JAC 003135



Snapper Pin

PART NO.

JAC 025200



Removable Steel Caster Wheel

- With snapper pin.
- 500 lb. capacity.

PART NO.

JAC 017125



Detachable Disc Foot

- 6" long.
- Without snapper pin.
- 2,000 lb.
- 5,000 lb.
- 7,000 lb.

PART NO.

JAC 018173



JACKS

Genuine Replacement Jack Parts Kits

OPEN SALES OPPORTUNITIES

- Sturdy
- Easy to Display
- Self-Selling

Clam Shell Replacement Part Kits

- Genuine HammerBlow Parts.
- The most trusted name in the industry.
- Stock near HammerBlow BULLDOG jacks for aftermarket sales.



Tough and Trusted

28 Top-Selling Replacement Parts

PART NO.	DESCRIPTION	USED ON JACK SERIES #
JAC 500105	Sidewind Crank Assembly with Black Knob	170, 5010SWR, 5015SWR
JAC 500106	Sidewind Gear Kit - 5,000 lb.	139, 159, 170, 510SWR, 5015SWR
JAC 500148	Topwind Crank Assembly with Black Knob	190
JAC 500156	Sidewind Gear Kit - 7,000 lb.	190, A7015SWR-DL
JAC 500171	Sidewind Crank Assembly with Black Knob	190, A7015SWR-DL
JAC 500177	3/4" Drop-leg Plunger Pin Kit	180
JAC 500178	1/2" Plunger Pin Assembly Kit	150, 160, 170, A5015, 5010, 5015
JAC 500180	Topwind Crank Assembly with Red Knob	150, 160, 170, A5015, 5010, 5015
JAC 500182	Sidewind Crank Assembly with Black Knob	150, A5015
JAC 500223	Thrust Bearing - 5,000 lb.	170, 5010, 5015
JAC 500224	Thrust Bearing 7,000 lb.	190, A7015
JAC 500229	6" Poly Wheel with Nut and Bolt	130, 150, 160, A5015
JAC 500230	Sidewind Gear Kit - 2,000 lb.	150
JAC 500231	5/8" Pull Pin, 3.5" Long, with Chain	170, 5010, 5015
JAC 500232	5/8" Pull Pin, 4.25" Long, with Chain	190
JAC 500238	Trailer Mount, Female, Weld-on, for 5/8" Pin	190
JAC 500239	Trailer Mount, Male, Weld-on, for 9/16" Pin	150, 170, A5015, 5010, 5015
JAC 500240	Trailer Mount, Male, Weld-on, for 5/8" Pin	170 Sidewind, 5010, 5015
JAC 500241	Swivel Retaining Ring	150, 160, 170, A5015, 5010, 5015
JAC 500242	"L" Bend Swivel Weld-on Bracket	150, 160, 170, A5015, 5010, 5015
JAC 500243	9/16" Pull Pin with 12.25" Chain	150, 170 Topwind, A5015, 5010, 5015
JAC 500244	Removable Disc Foot with Pin	150, 170
JAC 500245	Caster Assembly Poly Wheel	150
JAC 500246	Red Knob, BULLDOG	150, 160, 170, A5015, 5010, 5015
JAC 500247	Black Knob, BULLDOG	150, 160, 170, A5015, 5010, 5015
JAC 500248	Black Knob, Crown	139, 159, 170, 190, A7015, 5010, 5010
JAC 500249	Tubular Black Knob, BULLDOG	150, 160, A5015
JAC 500251	Bearing Kit - 2,000 lb.	150, A5015

EMZONE REFRIGERANTS



Emzone Automotive Refrigerant premium products are specially designed for the repair, maintenance and testing of mobile Air Conditioning systems, replacing R134a and R12 products and their substitutes. The emzone product line offers quality, value and superior performance resulting in cooler vent temperatures, lower head pressure, improved system efficiency and greater gas mileage. Our 12A products are eco-friendly, non-ozone depleting and system safe.

Visit www.emzone.ca to view further information, how to use details, Equivalent Weight Installation Charts and the User Reference Guide.

- Refrigerant
- System Conditioner
- Stop Leak
- Oil Change
- Dryer
- All-In-One
- OdorStop
- Kits & Accessories



EQUIVALENT BY WEIGHT						
	emzone 12A		R-134a		R-12	
	ounces	grams	ounces	grams	ounces	grams
	3	85	7.5	213	8.5	242
1 can	6	170	15.0	425	17.0	480
	9	255	22.5	637	25.6	727
2 cans	12	340	30.0	850	34.2	969
	15	425	37.5	1063	42.7	1212
3 cans	18	510	45.0	1276	51.3	1454
	21	595	52.5	1488	59.8	1696
4 cans	24	680	60.0	1701	68.4	1939



Emzone 12A A/C Cool Refrigerant

Emzone 12A A/C Cool Refrigerant is an environmentally friendly replacement alternative for ozone depleting R12 and global warming R134a products. Non-toxic and Non-Ozone Depleting. Contains high performance oil to improve system efficiency and Universal UV Dye to help with leak detection. System safe.

PART NO.	DESCRIPTION
ACC HC12A-6	6 oz. aerosol can
ACC HC12A-30	30 lb. cylinder



Emzone A/C Deluxe Recharge & Sealant Kit

This emzone kit contains the necessary items to recharge and seal an A/C system efficiently and safely.

Contains:

- 2 emzone 12A A/C Cool Refrigerants.
- 1 emzone 12A A/C Stop Leak.
- 1 Deluxe Recharge Hose (Brass).
- A/C Retrofit Conversion Fitting.
- A/C Refrigerant Oil Tester.

PART NO.	DESCRIPTION
ACC 45883	A/C Deluxe Recharge & Sealant Kit



Emzone A/C Recharge with Meter Kit

This emzone kit contains the necessary items to recharge and seal an A/C system efficiently and safely.

Contains:

- 2 emzone 12A A/C Cool Refrigerants.
- 1 charging hose with gauge.

PART NO.	DESCRIPTION
ACC 45885	A/C Recharge with Meter Kit

EMZONE REFRIGERANTS



PART NO.	DESCRIPTION
ACC 45857	4 oz. aerosol can

Emzone 12A A/C All-In-One

Emzone 12A A/C All-In-One is a multi-purpose product containing:

- UV Dye for leak detection.
- Oil charge universal lubricant.
- System Conditioner for O-ring seals.

Helps detect leaks, lubricate A/C systems and repair leaks in O-rings and gasket joints. System safe.



PART NO.	DESCRIPTION
ACC 45854	4 oz. aerosol can

Emzone 12A A/C Dryer

Emzone 12A A/C Dryer contains a moisture removing additive that converts moisture in the A/C system into synthetic oil and helps remove contaminants. We recommend the use of emzone 12A A/C Dryer prior to the use of emzone 12A A/C Stop Leak or A/C System Conditioner. This will help ensure all moisture has been removed from the air conditioning system.



PART NO.	DESCRIPTION
ACC 45855	4 oz. aerosol can

Emzone 12A A/C System Conditioner

Emzone 12A A/C System Conditioner repairs and conditions rubber parts including O-ring seals and gasket joints. Improves system efficiency and helps prevent leaks in these areas. Safe for all systems and will not clog or restrict flow.



PART NO.	DESCRIPTION
ACC 45856	4 oz. aerosol can

Emzone 12A A/C Stop Leak

Emzone 12A A/C Stop Leak seals leaks permanently in metal and rubber parts, including evaporators, condensers, driers, O-rings, and gasket joints. Improves system efficiency and prevents future leaks. Safe for all systems and will not clog or restrict flow. The 4 oz. can contains sufficient stop leak to stop leaks in 2 lb. to 5 lb. A/C systems.



EMZONE REFRIGERANTS

emzone

**Emzone 12A A/C Oil Change**

Emzone 12A A/C Oil Charge is a universal lubricant and conditioner designed to reduce friction, replace lost oil due to leaks, and increase compressor life. Safe for all systems and will not clog or restrict flow.

PART NO.	DESCRIPTION
ACC 45852	5.5 oz. aerosol can

**Emzone OdorStop**

Odorstop odor neutralizer is designed to tackle tough problems due to moisture accumulation in vehicle vent and A/C systems. Excellent for eliminating odors caused by cigarette smoke, mildew and mold by attacking the problem at the source, circulating throughout the entire system. One time use (total release).

PART NO.	DESCRIPTION
ACC 44210	5.5 oz. aerosol can

**Recharge Hose with Pressure Gauge**

The heavy duty Recharge Hose with Pressure Gauge is suitable for all emzone Refrigerant, Stop Leak and associated products. Use to determine current pressure status of A/C system and ensure accuracy when recharging. The durable brass connectors ensure a safe and secure fit. Includes R134a quick connect. Compatible with R12 adaptors and A/C Retrofit Conversion Fittings (sold separately).

PART NO.	DESCRIPTION
ACC 45715	Recharge Hose with Pressure Gauge

**Recharge Hose (Brass)**

The heavy duty Recharge Hose is suitable for all emzone Refrigerant, Stop Leak and associated products. The durable brass connectors ensure a safe and secure fit. Includes R134a quick connect. Compatible with R12 adaptors and A/C Retrofit Conversion Fittings (sold separately).

PART NO.	DESCRIPTION
ACC 45713	½" Tap Recharge Brass Hose

EMZONE REFRIGERANTS



Refrigerant Oil and Fluid Injector

Refrigerant Oil Injector is a premium, screw down injection system with 1/4" fitting. To inject oil or dye, connect the injector to the low side A/C service port and twist handle. Add snap coupler for R134a use. Capacity range from 1/4 oz. (7.5 ml) to 2 oz. (60 ml).

PART NO.	DESCRIPTION
ACC 45340	Injector



A/C Retrofit Conversion Fitting

A/C Retrofit Conversion Fittings low side adaptor allows for servicing of older mobile A/C systems. To be used on low side A/C service port.

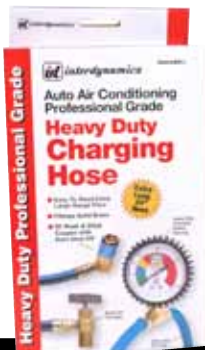
PART NO.	DESCRIPTION
ACC 45554	Adapter



A/C Refrigerant Oil Tester

A/C Refrigerant Oil Tester is the ideal diagnostic tool to visually display problems or service requirements with A/C systems. Visual results in less than five minutes. Tests the A/C system for sufficient fluid levels and the condition of the refrigerant oil.

PART NO.	DESCRIPTION
ACC 45346	Analyzer



Auto Air Conditioning Professional Grade Heavy Duty Charging Hose

Easy to read extra large gauge face. Fittings made of solid brass. A 90° Push & Click Coupler with auto shut-off. Heavy duty protective rubber housing. Extra long 24" hose.

PART NO.	DESCRIPTION
ACC GBM-4	Heavy Duty Charging Hose

HC REFRIGERANTS



PART NO.

ACC GEZ-1

Auto Air Conditioner EZ Gauge for HC12a & R134a®

Checks Low Side Pressure for
Accurate Charging of your AC system

- Easy to use hand held pressure gauge.
- Presses on low side AC Service Port to activate gauge.
- Indicator needle locks into place on color coded analog gauge for easy viewing and diagnosis.



PART NO.

ACC MB-134A

Recharge Kit

Will service all HC12a & R-134a® Systems

Complete kit includes:

- R-134a® can tap valve.
- R-134a® high pressure hose with quick connect/disconnect fittings.



PART NO.

ACC TH-27

Test Thermometer

- Diagnose AC problems.



PART NO.

ACC MF-134

Complete Manifold Gauge Set with Sight Glass for HC12a & R-134a®

Includes:

- Manifold gauge with sight glass
- Full set of hoses
(48" red & blue and 72" yellow charging hoses)
- Low and high side quick connect valves with shut-off knob

HC REFRIGERANTS



PART NO.
ACC VA-LH8

Combination Kits

- Low & high side adapters, caps & retrofit label.
- All vehicles pre- 1976 and some later model imports.
- 2 adapters: low side 7/16" port, high side 1/2" port.



PART NO.
ACC VA-LH9

Combination Kits

- Low & high side adapters, caps & retrofit label.
- All vehicles 1976-95 excluding some GM cars '91 & up.
- Adapters: low side 7/16" port, high side 7/16" port.



PART NO.
ACC PY-7

Ester Refrigerant Oil

- 8½ oz. Ester Refrigerant oil for HC12a & R-134a® systems.



PART NO.
ACC TUP-134DC

Auto Air Conditioner "Direct Charge" Tune Up for HC12a & R-134a®

- A complete AC Maintenance product.
- Direct charge fitting allows tune up to be charged directly into AC System. No tools needed.
- 2 ozs. of oil charge with o-ring conditioner.
- 1 oz. of "Maxi Cool" performance booster.
- 11/4 to 2 oz. of refrigerant R-134a®.
- 31/4 to 4 oz. of leak sealer, detector and AC cleaner.
- Patent #6360554.



PART NO.
ACC LDS-1DC

Auto Air Conditioner Charge Stop Leak & Detector

Auto Air Conditioner "Direct Charge" R-134a Stop Leak & Detector

- Stops most air conditioner leaks. usually from rubber parts, including gaskets, hoses and o-rings.
- Red dye locates leaks needing mechanical repair.
- Charges into air conditioning system with standard R-134a valve and hose.

HC REFRIGERANTS



PART NO.

ACC MRL-2

Maxi Seal 2-Step

Maxi Seal Auto Air Conditioner
Rubber & Metal
Leak Sealer

Maxi Seal #1

Repairs metal leaks in compressor, condenser,
evaporator, receiver drier & accumulator.

Maxi Seal #2

Seals rubber leaks in gaskets, hoses & o-rings and
cleans off metal sealer from AC service port.



PART NO.

ACC UVA-1CS

Auto A/C Direct

The All-In-One, Find-A-Leak, Seal-A-Leak System

R-134a

UV Leak detector Accessories Kit

Includes:

- UV Fluorescent Enhancing Safety Glasses
- UV Penlight to pinpoint even the smallest leaks.



PART NO.

ACC AF-4

Arctic Freeze

Complete A/C System Treatment.

A complete A/C system treatment that increases cooling
capacity while cleaning and protecting the A/C system
against wear. Also seals most common leaks and contains
QwikBoost® chemistry to provide maximum cooling power.

Size 4 oz.



PART NO.

ACC MB-24EXT

24" Charging Extension Hose

For hard to reach low-side ports, this extension hose adds
24" to standard R-134a filling hoses.