

**INDEX**

Accelerator Lug Roll Components Fits Gleaner .....	48	Axle Extension Kits Fits Gleaner .....	53
Accessories .....	4	Fits International .....	101
Adjustment Hanger Bracket .....	89	Fits John Deere .....	131
Airfoil Chaffer Fits Gleaner .....	56	Bearing Assemblies .....	8
Fits International .....	103	Beater Blades Fits International .....	97
Air Conditioners and Components Fits Ford/New Holland .....	25	Beater Shafts Fits International .....	97
Fits Gleaner .....	60	Beaters Fits Gleaner .....	48
Fits International .....	112	Fits John Deere .....	146
Fits John Deere .....	176-178	Fits Massey Ferguson .....	207
Fits Massey Ferguson .....	217	Fits White/Oliver/M&M .....	237
Augers - Bare Header/Platform Fits International .....	110	Belts Swather, Fits Ford/New Holland .....	33
Fits John Deere .....	172	Swather, Fits Massey Ferguson .....	232
Auger Extension Kits Fits Gleaner .....	53	Combine, Fits Ford/New Holland .....	26-33
Fits International .....	101	Combine, Fits Gleaner .....	61-76
Fits John Deere .....	152	Combine, Fits International .....	115-125
Auger Pan, Distribution Fits John Deere .....	150	Combine, Fits John Deere .....	179-196
Auger Supply Shafts Fits John Deere .....	152	Combine, Fits Massey Ferguson .....	218-232
Auger Tube Donuts Fits John Deere .....	153	Combine, Fits White/Oliver/M&M .....	240-253
Auger Tubes Fits Gleaner .....	53	Blunt Finger Bottom Sieves .....	21
Fits John Deere .....	149, 151-152	Bottom Knife Sheet Fits John Deere .....	166
Auger Wood Blocks, Distribution Fits John Deere .....	150	Brake Drums Fits Ford/New Holland .....	18
Augers Bare Header/Platform .....	110, 172	Fits John Deere .....	130
Bottom Bin Cross .....	150-151, 209	Chaff Spreaders Fits International .....	109
Distribution .....	99, 100, 150	Fits John Deere .....	170
Fits Gleaner .....	52-53	Chaffer/Sieve Frame Fits International .....	106
Fits International .....	98-101, 110	Fits John Deere .....	159
Fits John Deere .....	147-152	Chaffer & Sieve Bushing Kits Fits International .....	106
Fits Massey Ferguson .....	209	Fits John Deere .....	159
Grain Bin Loading .....	53, 149	Chaffers Fits Ford/New Holland .....	22, 24
Grain Delivery Leveling Auger .....	99	Fits Gleaner .....	54,55, 57-58
Grain Tank Bottom .....	101	Fits International .....	102-104, 107
Lower Clean Grain .....	52, 98, 147	Fits John Deere .....	153-157, 160-162
Lower Tailing Return .....	52, 98, 148, 209	Fits Massey Ferguson .....	210-212, 214
Top Tailing Return .....	98, 148	Fits White/Oliver/M&M .....	238
Unloading .....	53, 99, 147, 151, 209	Clean Grain Elevator Boot and Door Fits John Deere .....	147
Axle Drive Shafts and Couplers Fits International .....	80	Clean Grain Upper Housing Fits John Deere .....	146
Fits John Deere .....	131-132		
Fits Massey Ferguson .....	200		

**INDEX**

Cleaning Fan Shafts		Cylinder Bars & Kits	11-13
Fits International	92	Fits Caterpillar-Lexion	11
Fits John Deere	142	Fits CCIL	12
Fits Massey Ferguson	207	Fits Challenger	12
Cleaning Fan Sprockets		Fits Claas	13
Fits Gleaner	49	Fits Ford/New Holland	17
Condenser Application Guide		Fits Gleaner	41-43
Fits International	112	Fits International	85
Fits John Deere	175	Fits John Deere	137
Condenser Illustration Guide		Fits Massey Ferguson	202
Fits International	113	Fits Versatile	233
Fits John Deere	176-178	Fits White/Oliver/M&M	235
Concave Stone Trap Hex Shafts		Cylinder Drive Variable Speed Sheave	
Fits Massey Ferguson	207	Fits John Deere	142
Concaves and Components		Damper Plates - Rear, Fits Gleaner	37
Fits CCIL	77	Disc Brakes	
Fits Challenger	13	Fits Gleaner	37
Fits Claas	14	Fits International	81
Fits Ford/New Holland	19-20	Discharge Bars	
Fits Gleaner	44-46	Fits Gleaner	49
Fits International	86-87	Distribution Auger Pan	
Fits John Deere	138-140	Fits International	99
Fits Massey Ferguson	204-205	Fits John Deere	150
Fits White/Oliver/M&M	236	Distribution Auger Wood Block Bearings	150
Coolant Test Strips	4	Drive Belts	
Corn Doors		Fits Ford	26-33
Fits John Deere	169	Fits Gleaner	61-76
Cornhead Components		Fits International	115-125
Fits Gleaner	59	Fits John Deere	179-196
Fits International	109	Fits Massey Ferguson	218-232
Fits John Deere	171	Fits White/Oliver/M&M	240-253
Fits Massey Ferguson	216	Elephant Ears	
Cornhead Fenders		Fits International	90
Fits John Deere	171	Elevator Chains	
Cornhead Snouts		Fits Gleaner	50
Fits John Deere	171	Fits International	94
Coverplates for Case IH Rotary Combines	88	Fits John Deere	143
Crop Dividers, Short/Long Row		Fits Massey Ferguson	208
Fits Ford/New Holland	25	Fits White/Oliver/M&M	235
Fits Gleaner	60	Elevator Chain Sprockets	
Fits International	111	Fits Gleaner	51
Fits John Deere	173	Fits International	95
Fits Massey Ferguson	217	Fits John Deere	144
Cylinders, Sunnybrook		Fits Massey Ferguson	208
Fits Caterpillar-Lexion	11	Fits White/Oliver/M&M	236
Fits Ford/New Holland	16	For Most Combines	8
Fits Gleaner	46	Elevator Drive Shafts	
Fits John Deere	141	Fits International	96
Fits Massey Ferguson	206	Elevator Head Shafts	
		Fits International	96
		Fits John Deere	145
		Elevator Housings	
		Fits International	96
		Fits John Deere	145

**INDEX**

Engine		Feederhouse Chain Sprockets	
Fits International.....	77	Fits Ford/New Holland.....	15
Evaporator Application Guide		Fits Gleaner.....	39
Fits Ford/New Holland.....	25	Fits International.....	83
Fits International.....	113	Fits John Deere.....	134
Fits John Deere.....	178	Fits Massey Ferguson.....	199
Evaporator Illustration Guide		Fits Most Models.....	7
Fits Ford/New Holland.....	25	Fits White/Oliver/M&M.....	235
Fits International.....	114-115	Feederhouse Drums & Shafts	
Fan Drive Variable Speed Sheaves		Fits John Deere.....	134
Fits International.....	93	Feederhouse Floor Sheets	
Fan Throat Kits for Case-IH Rotary Combines.....	93	Fits John Deere.....	135
Fan Shaft Sheaves		Feederhouse Lower Shaft Brackets	
Fits John Deere.....	143	Fits International.....	83
Feed Reverser Assembly		Feederhouse Parts - Misc.	
Fits John Deere.....	136	Fits John Deere.....	135
Feed Reverser Motors		Fits Massey Ferguson.....	199
Fits International.....	85	Feederhouse Shafts	
Feeder Chains		Fits International.....	84
Fits Ford/New Holland.....	14-15	Fits John Deere.....	134
Fits Gleaner.....	38-39	Feederhouse Stub Shafts	
Fits International.....	81-82	Fits Gleaner.....	40
Fits John Deere.....	132-133	Fiber Discs	
Fits Massey Ferguson.....	198-199	Fits Massey Ferguson.....	201
Fits White/Oliver/M&M.....	234	Final Drives and Components	
Feeder Chain Sprockets		Fits Ford/New Holland.....	19
Fits Ford/New Holland.....	15	Fits International.....	80
Fits Gleaner.....	39	Fits John Deere.....	130-131
Fits International.....	83	Fits White/Oliver/M&M.....	233
Fits John Deere.....	134	Front Rollers	
Fits Massey Ferguson.....	199	Fits Massey Ferguson.....	199
Fits Most Models.....	7	Fuel Tank Liner.....	2
Fits White/Oliver/M&M.....	235	Gaskets and Gasket Tape.....	3
Feeder Chain Stripper Plates		Gateway Sieves	
Fits International.....	83	Fits Ford/New Holland.....	24
Feeder Shaft Angles & Paddles		Fits Gleaner.....	58
Fits Massey Ferguson.....	201	Fits International.....	107
Feederhouse Beater Parts		Fits John Deere.....	160-162
Fits Gleaner.....	40	Fits Massey Ferguson.....	214
Feederhouse Bottoms		Gear Box Shafts	
Fits International.....	85	Fits Massey Ferguson.....	201
Feederhouse Chains		Generation II High Inertia Cylinders.....	16
Fits Ford/New Holland.....	14, 15	Grain Pans and Components	
Fits Gleaner.....	38-39	Fits International.....	108
Fits International.....	81-82	Fits Massey Ferguson.....	211
Fits John Deere.....	132-133	Fits White/Oliver/M&M.....	239
Fits Massey Ferguson.....	198-199	Harvest Beaters	
Fits White/Oliver/M&M.....	234	Fits John Deere.....	146
Feederhouse Chain Roller Kits		Fits White/Oliver/M&M.....	237
Fits International.....	83		

# INDEX

Harvest Concaves		Hydro Output Shafts	
For Conventional Combines .....	46, 204	Fits Gleaner .....	129
Fits International .....	89-90	Fits John Deere .....	129
Fits John Deere .....	140	Hydrostat Drive Shafts	
Fits Massey Ferguson .....	204	Fits International .....	79
For New Holland Conventional Combines .....	21	Hydrostat Transmissions - Combine	
For Rotary Combines .....	20,89-90	Fits International .....	79-80
For White/Oliver/M&M .....	237	Fits John Deere .....	129, 130
		Fits Massey Ferguson .....	200
		Fits White .....	233
Harvest Fan Throat Kits		Hydrostat Transmissions	
Fits Case IH Rotary Combines .....	93	Fits Ford/New Holland .....	18
		Fits Gleaner .....	37
Harvest Plastic Slat Feeder Chains		Fits International .....	79
Fits Gleaner .....	39	Fits Massey Ferguson .....	201
Fits International .....	82	Fits White/Oliver/M&M .....	233
Fits John Deere .....	133	Idlemaster Tighteners .....	6
Fits Massey Ferguson .....	198	Idler Rollers .....	8
Fits White/Oliver/M&M .....	234	Input Drive Shafts, Fits Gleaner .....	36
Harvest Sieves		Internal Fuel Tank Liner .....	2
Fits Ford/New Holland .....	22	Knife Mount Channels and Parts	
Fits Gleaner .....	56-57	Fits John Deere .....	166
Fits International .....	104	Longblock Assembly	
Fits John Deere .....	156-157	Fits International .....	77
Fits Massey Ferguson .....	212	Loading Auger Spout	
Fits White/Oliver/M&M .....	238	Fits John Deere .....	146
Harvest Sieve Replacement Parts		Mainshafts	
Fits Gleaner .....	57	Fits Gleaner .....	51
Fits International .....	105	Overflow Tubing .....	4
Fits John Deere .....	158	Plastic Slat Feeder Chain .....	15
Fits Massey Ferguson .....	213	Poly Skid Plate Kits	
Fits White/Oliver/M&M .....	236	Fits International .....	111
Header Drive Shafts		Fits John Deere .....	173
Fits International .....	110	Power Shafts, Bearings & Seals	
Fits Massey Ferguson .....	216	Fits Massey Ferguson .....	207
Header End Shields		Primary Countershafts	
Fits John Deere .....	173	Fits John Deere .....	141
Heater Applications		Radiator Application Guide	
Fits International .....	113	Fits Gleaner .....	35
High Inertia Cylinders		Fits International .....	78
Fits John Deere .....	141	Fits John Deere .....	127
Hubs for Markers & Coulters .....	10	Radiator Caps .....	1
Hump Kits		Radiator Gasket Tape .....	3
Fits Gleaner .....	41	Radiator Illustration Guide	
Hydraulic Pump Drive Hub		Fits Gleaner .....	35-36
Fits International .....	109	Fits International .....	78
Hydraulic Pumps		Fits John Deere .....	128-129
Fits Ford/New Holland .....	23	Fits Massey Ferguson .....	198
Fits Gleaner .....	59		
Fits Massey Ferguson .....	216		
Fits White/Oliver/M&M .....	239		
Hydraulic Reel Motor			
Fits John Deere .....	172		



**INDEX**

Radiators		Rotor Front Kit	
Fits Gleaner .....	34	Fits International .....	92
Fits International .....	77	Rotor Grates	
Fits John Deere .....	126	Fits International .....	90
Fits Massey .....	197	Rotor Output Shafts	
Raddle Chain False Bottoms		Fits Gleaner .....	48
Fits Gleaner .....	40	Rotor Transition Cones	
Raddle Chain Sprockets and Idlers		Fits International .....	91
Fits Gleaner .....	41	Rotors,	
Fits John Deere .....	136	Fits Gleaner .....	47
Raddle Chains		Row Crop Belts	
Fits Gleaner .....	40	Fits John Deere .....	171
Fits John Deere .....	136	Rubber Mounting Pads.....	4
Rear Axle Center Tubes		Separator Clutch, Pressure Plates and Shafts.....	93
Fits International .....	111	Separator Gear Box Assembly.....	96
Fits John Deere .....	174	Separator Jackshafts and Sheaves .....	93
Rear Axle Stabilizer Kits		Secondary Countershaft Sheaves	
Fits John Deere .....	174	Fits John Deere .....	142
Rear Deflector (Isolator)		Secondary Countershafts	
Fits John Deere .....	169	Fits John Deere .....	142
Rear Engine PTO Shafts, Fits Gleaner .....	36	Separator Gear Box Assembly	
Rear Hood		Fits International .....	96
Fits John Deere .....	170	Separator Parts	
Rear Hood, Lower Panels		Fits Gleaner .....	51
Fits John Deere .....	170	Fits International .....	93,96
Rethresher Bars & Channels		Shaker Shoe Shafts, Kits	
Fits Massey Ferguson .....	206	Fits Massey Ferguson .....	201
Rigid Air Foil Chaffers		Short Finger Top Chaffers .....	153
Fits Gleaner .....	56	Sieve Frames	
Fits International .....	103	Fits International .....	106
Ripple Tins, Dividers and Deflectors		Fits John Deere .....	159
Fits Gleaner .....	57	Sieve Replacement Parts .....	158
Fits International .....	105	Sieves	
Fits John Deere .....	158	Fits Ford/New Holland .....	22, 24
Fits Massey Ferguson .....	213	Fits Gleaner .....	54,55, 57-58
Fits White/Oliver/M&M .....	239	Fits International .....	102-104, 107
Rock Drums		Fits John Deere .....	153-157, 160-162
Fits International .....	84	Fits Massey Ferguson .....	210-212, 214
Roller Assemblies		Fits White.....	238
Fits Case/New Holland .....	7	Skid Plate Kits	
Fits International .....	92	Fits International .....	111
Rotor Bars		Fits John Deere .....	173
Fits International .....	86	Snapper Roll Shafts	
Rotor Cage Flat & Helical Channels		Fits Gleaner .....	59
Fits Gleaner .....	49	Fits Massey Ferguson .....	216
Rotor Cages		Snugulator Tighteners .....	5
Fits Gleaner .....	49	Snugulator Trouble-shooting Guide .....	10
Rotor Cone Parts			
Fits International .....	91		

**INDEX**

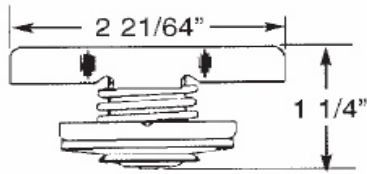
Spindles		Sunnybrook Concaves and Components	
Fits Gleaner .....	60	Fits CCIL .....	12
Fits John Deere .....	174	Fits Challenger .....	13
Fits Massey Ferguson .....	217	Fits Claas .....	14
Spreader Shafts		Fits Ford/New Holland .....	19
Fits International .....	101	Fits Gleaner .....	46
Steering Arm - combine		Fits International .....	87
Fits Massey Ferguson .....	217	Fits John Deere .....	139
Steps- Combine		Fits Massey Ferguson .....	205
Fits International .....	111	Fits White/Oliver/M&M .....	236
Straw Chopper Drive Components.....	108	Sunnybrook Cylinder Bars & Kits	
Straw Choppers		Fits Caterpillar-Lexion .....	11
Fits International .....	108	Fits CCIL .....	12
Fits John Deere .....	163	Fits Challenger .....	12
Straw Chopper Blades		Fits Claas .....	13
Fits Ford/New Holland .....	23	Fits Ford/New Holland .....	17
Fits Gleaner .....	59	Fits Gleaner .....	42-43
Fits International .....	108	Fits International .....	85
Fits John Deere .....	164	Fits John Deere .....	137
Fits Massey Ferguson .....	215	Fits Massey Ferguson .....	202-203
Fits White/Oliver/M&M .....	239	Fits Versatile .....	233
Straw Chopper Drive Components		Fits White/Oliver/M&M .....	235
Fits International .....	108	Sunnybrook High Inertia Cylinders	
Fits John Deere .....	164	Fits Caterpillar-Lexion .....	11
Straw Chopper Housing Components		Fits Ford/New Holland .....	16
Fits John Deere .....	165	Fits Gleaner .....	46
Straw Chopper Rotor Assemblies		Fits John Deere .....	141
Fits John Deere .....	164	Fits Massey Ferguson .....	206
Straw Chopper Shafts		Sunnybrook High Inertia Rotors	
Fits Massey Ferguson .....	215	Fits Gleaner .....	47
Straw Spreaders		Sunnybrook Stripper Bars	
Fits John Deere .....	169	Fits Massey Ferguson .....	206
Straw Walkers and Parts		Thresher Countershafts, Variable Speed	
Fits Gleaner .....	59	Fits Gleaner .....	48
Fits International .....	108	Thresher Cylinder Parts	
Fits John Deere .....	163	Fits Massey Ferguson .....	201
Fits Massey Ferguson .....	215	Thresher Parts	
Straw Walker Return Pans		Fits Gleaner .....	48
Fits Gleaner .....	59	Tie Rods	
Fits Massey Ferguson .....	215	Fits John Deere .....	174
Stripper Bars		Traction Belts	
Fits White/Oliver/M&M .....	237	Fits Ford .....	26-33
Sunflower Pans.....	11	Fits Gleaner .....	61-76
Sunnybrook Beaters		Fits International .....	115-125
Fits CCIL .....	12	Fits John Deere .....	179-196
Fits Gleaner .....	48	Fits Massey Ferguson .....	218-232
Fits John Deere .....	146	Fits White/Oliver/M&M .....	240-253
Fits Massey Ferguson .....	207	Traction Drive Variable Speed Repair Kit	
Fits White/Oliver/M&M .....	237	Fits Massey Ferguson .....	201
		Transmissions - Combine	
		Fits Ford/New Holland .....	18
		Fits International .....	81
		Fits John Deere .....	130

**INDEX**

Unloading Auger Bevel Gears	
Fits International .....	97
Fits Massey Ferguson .....	209
Unloading Auger Collar	
Fits Gleaner .....	53
Unloading Auger Countershafts	
Fits John Deere .....	147
Unloading Auger Swing Cylinders	
Fits International .....	97
Fits Massey Ferguson .....	209
Unloading Augers & Tubes .....	151-152
Unloading Gearbox Shafts	
Fits International .....	97
Unloading Housings	
Fits International .....	97
Upper Sprocket Tube Kit	
Fits International .....	83
Vane Transports and Parts	
Fits International .....	92
Variable-Speed Thresher Countershafts .....	48
Vertical Auger Drive Shaft	
Fits John Deere .....	152
Wear Bars	
Fits Ford/New Holland .....	21
Fits International .....	91
Wheat Doors	
Fits John Deere .....	169
Wheel Brake Disks	
Fits Gleaner .....	37
Fits International .....	81
Wheel Hubs and Components	
Fits John Deere .....	174
Wide spread Deflector Assemblies and Components	
Fits John Deere .....	167-168
Wobble Box and Components	
Fits International .....	109
Fits John Deere .....	172

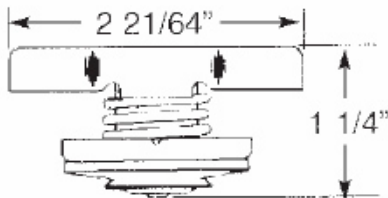
**COMBINE RADIATOR CAPS**

**Part # TRP21-1**



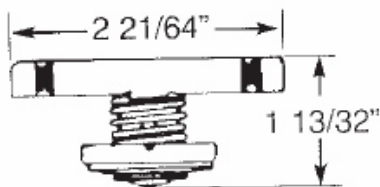
- For radiator and overflow reservoir systems.
- Fits 3/4" deep neck.
- 7 lbs.

**Part # TRP21-5**



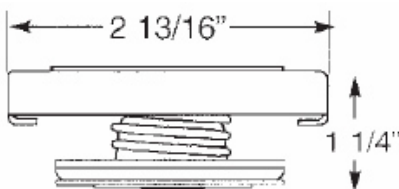
- For radiator and overflow reservoir systems.
- Fits 3/4" deep neck.
- 10 lbs.

**Part # TRP21-14**



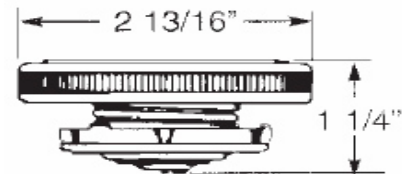
- Fits 1" deep neck.
- 7 lbs.

**Part # TRP21-294B**



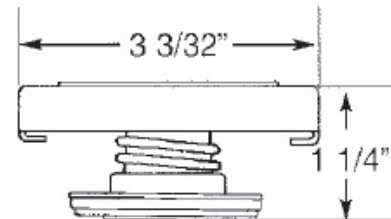
- For radiator and overflow reservoir systems.
- For "B" Size 2<sup>11</sup>/<sub>16</sub>" O.D.
- Fits 3/4" Deep filler neck.
- 15 lbs.

**Part # TRP21-4**



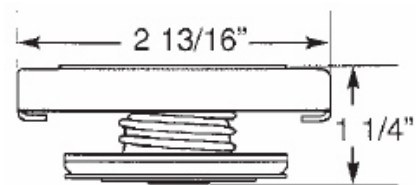
- For "B" size 2<sup>11</sup>/<sub>16</sub>" O.D. Fill Neck
- Fits 3/4" deep neck.
- 7 lbs.

**Part # TRP21-12**



- For radiator and overflow reservoir systems.
- Fits 3/4" deep neck.
- 16 lbs.

**Part # TRP21-292B**



- For radiator and overflow reservoir systems.
- For "B" Size 2<sup>11</sup>/<sub>16</sub>" O.D.
- Fits 3/4" Deep filler neck.
- 7 lbs.

## INTERNAL FUEL TANK LINER

### Farm Equipment Gas Tank Repair for Farm Tractors & Collector Tractors

Age, corrosion and storage are the enemies of every gas tank. Buying or fabricating a replacement is expensive. Saving your gas tank with a permanent repair is a better solution!

Red-Kote is an internal fuel tank liner designed to seal leaks and prevent further rusting. Internal rusting is caused by condensation in the fuel tank or by bad fuel. Red-Kote will seal in existing rust to prevent it from flaking off and plugging the fuel line or carburetor. As a sealant, Red-Kote excels at sealing the often hundreds of pinhole leaks that occur along seams or where straps wrap around the tank.

Once in place, Red-Kote forms a very tough, flexible membrane that will never crack or flake as many competitive products do. Red Kote will not plug lines or cause engine damage when used properly. Future rust will be prevented because condensation will not contact the metal.

A partial list of additives that Red-Kote is resistant to includes ethyl alcohol, methyl alcohol, toluene, methyl tertiary butyl ether, isopropyl alcohol and tetraethyl lead. Red-Kote takes approximately eight hours to dry.

PART NO.	DESCRIPTION
TRP 125-1	Quart - Red Kote Fuel Tank Liner
TRP 125-2	Gallon - Red Kote Fuel Tank Liner
TRP RW0125-9	Fuel Tank Liner Kit



## GASKETS AND GASKET TAPE

### Gaskets for Bolt Together Radiators

Northern's premium gaskets for bolt together radiators are a composite cork and rubber and are engineered for durability in heavy duty applications.



PART NO.	DESCRIPTION	# BOLT HOLES	MODEL
TRP GK1134	5 <sup>5</sup> / <sub>8</sub> " x 17 <sup>1</sup> / <sub>2</sub> "	16	Case
TRP GK1457	5 <sup>1</sup> / <sub>4</sub> " x 22"	28	IH
TRP GK1459	5 <sup>5</sup> / <sub>8</sub> " x 17 <sup>1</sup> / <sub>2</sub> "	23	IH
TRP GK2400	7 <sup>1</sup> / <sub>8</sub> " x 28 <sup>5</sup> / <sub>8</sub> "	38	John Deere
TRP GK2401	6 <sup>1</sup> / <sub>8</sub> " x 28 <sup>5</sup> / <sub>8</sub> "	38	John Deere
TRP GK2406	5 <sup>1</sup> / <sub>2</sub> " x 21 <sup>1</sup> / <sub>2</sub> "	20	John Deere
TRP GK2407	5 <sup>3</sup> / <sub>4</sub> " x 21 <sup>1</sup> / <sub>2</sub> "	22	John Deere
TRP GK2409	5 <sup>1</sup> / <sub>2</sub> " x 18 <sup>1</sup> / <sub>2</sub> "	20	John Deere
TRP GK2414	7 <sup>1</sup> / <sub>2</sub> " x 35"	44	John Deere
TRP GK2418	5 <sup>9</sup> / <sub>16</sub> " x 16"	18	John Deere
TRP GK2423	5 <sup>1</sup> / <sub>2</sub> " x 18 <sup>3</sup> / <sub>8</sub> "	22	John Deere
TRP GK2424	5 <sup>3</sup> / <sub>4</sub> " x 20 <sup>1</sup> / <sub>2</sub> "	22	John Deere
TRP GK2601	4 <sup>1</sup> / <sub>8</sub> " x 19"	20	Minneapolis Moline

### Premium Radiator Gasket Tape

#### MULTI-PURPOSE GASKET TAPE WITH ADHESIVE BACKING

Northern's premium gasket materials are a composite cork and rubber and are engineered for use in radiators and cooling systems. This material is great for custom made gaskets.

PART NO.	DESCRIPTION
TRP 18	1 <sup>1</sup> / <sub>4</sub> " x 1 <sup>1</sup> / <sub>16</sub> " x 100 Roll
TRP 18-2	1 <sup>1</sup> / <sub>4</sub> " x 1 <sup>1</sup> / <sub>16</sub> " x 50 Roll
TRP 22	6" wide x 1 <sup>1</sup> / <sub>16</sub> " thick x 10 Roll
TRP 22-1	6" wide x 1 <sup>1</sup> / <sub>16</sub> " thick x 100 Roll



## ACCESSORIES

### Rubber Mounting Pads

Great for positioning mounting studs to prevent rubbing on radiator and creating holes or stress cracks.

PART NO.	DESCRIPTION
TRP 178-43	Set of 2 Rubber Mounting Pads



### Overflow Tubing

Designed specifically as radiator overflow tubing with greater flexibility and kink resistance than plastic tubing.



PART NO.	DESCRIPTION
TRP 41	Black Rubber $\frac{5}{16}$ " x $\frac{1}{16}$ " wall 100 Coil

### Coolant Test Strips

Northern's PH test strips are the fast, reliable way to test coolant in busy repair shops. Routine testing will alert you to cooling system problems and help you prevent costly repairs to your vehicles. Now you can test both PH and freeze protection at one time with one test strip! Saves time and money!

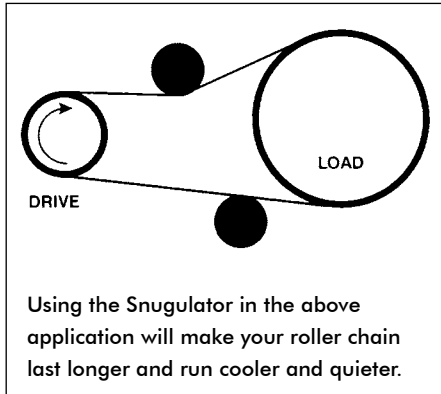


PART NO.	DESCRIPTION
TRP 132	50 strips/bottle
TRP 132-1	5 strips/pack - Great for Retail!

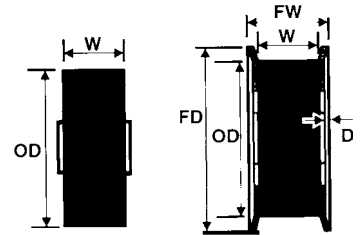


# SNUGULATOR TIGHTENERS FOR ROLLER CHAINS

Use the Snugulator Tightener to regulate tension on slack side.



- Long lasting
- Quiet
- Increases chain life
- Performs smoothly on both worn and new chain
- Superior replacement for all types of equipment
- Snugulators may also be used for belt application utilizing the same guidelines
- Snugulator Tighteners will work in most gear box oil.



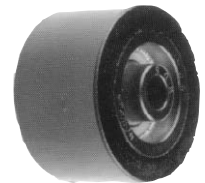
Using the Snugulator in the above application will make your roller chain last longer and run cooler and quieter.

If your application is in a load bearing area, a wrap of more than 25 degrees, surging of chains or close to the sprocket use the IdleMaster Tightener. For more information refer to the Snugulator and IdleMaster Problem Solving Handbook.

## Plain with Bolt Hole

Perfect for belts and roller chains with short runs where a bolt can be used as a mounting device. Choose a tightener that will protrude a minimum of 1/8" beyond each side of the chain.

PART NO.	ROLLER CHAIN SIZE	BOLT HOLE MOUNTING SIZE	W	OD	D
PTP 2500BD3	100 Pitch and smaller	1/2 - 5/8 - 3/4"	2 1/8"	3 1/2"	1/8" one side
PTP 2550BE3	80 Pitch and smaller	1/2 - 5/8 - 3/4"	1 3/8"	3 1/2"	1/8" one side
PTP 2755CB2	60 Pitch and smaller	3/8 - 1/2 - 5/8"	1"	2 3/4"	1/16" both sides



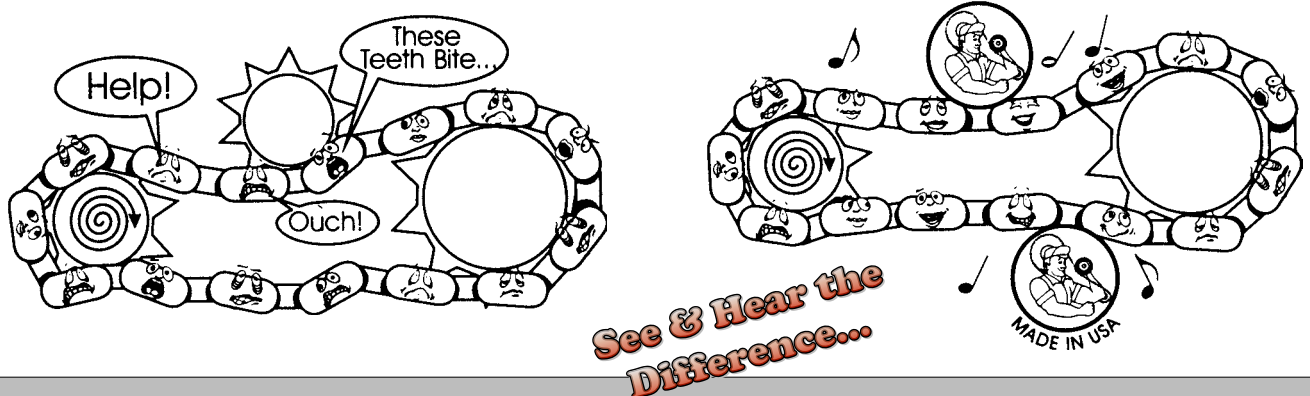
## Flanged with Bolt Hole

Use where a bolt is needed for mounting. Choose this design when durable steel-flanged edges are needed to hold longer belts and chains in place.

PART NO.	ROLLER CHAIN SIZE	BOLT HOLE MOUNTING SIZE	W	OD	D	FD	FW
PTP 2500FBD3	100 Pitch and smaller	1/2 - 5/8 - 3/4"	2 1/8"	3 1/2"	1/16"	4"	2 1/2"
PTP 2550FBE3	80 Pitch and smaller	1/2 - 5/8 - 3/4"	1 3/8"	3 1/2"	1/16"	4"	1 3/4"
PTP 2755FCB2	60 Pitch and smaller	3/8 - 1/2 - 5/8"	1"	2 3/4"	1/8"	3 1/4"	1 5/16"

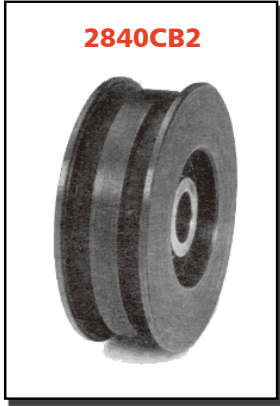


## The Snugulator Difference

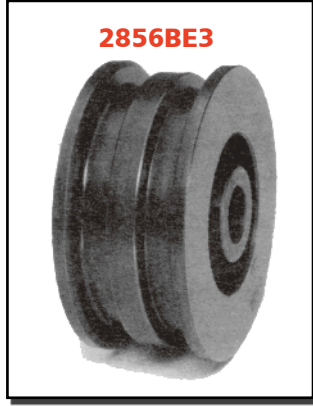


**IDLEMASTER TIGHTENERS FOR ROLLER CHAINS AND BELTS**

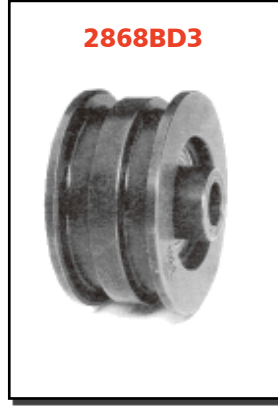
Designed for Complete Interchangeability!



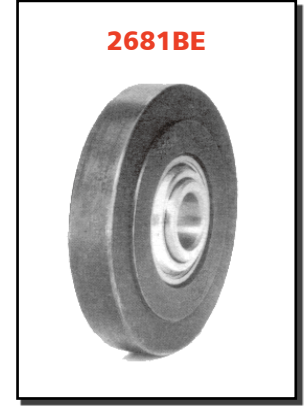
2840CB2



2856BE3

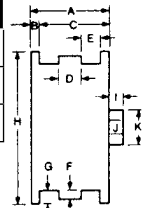


2868BD3



2681BE

PART NO.	DESCRIPTION	A	B	C	D	E	F	G	H	I	J	K
PTP 2840CB2	40 Pitch	0.850	0.100	0.650	0.300	0.175	0.100	0.200	2.700	1/16"	5/8 - 1/2 - 3/8"	0.937
PTP 2856BE3	50 & 60 Pitch	1.550	0.200	1.150	0.370	0.390	0.187	0.294	3.450	1/32"	1/2 - 5/8 - 3/4"	1.130
PTP 2868BD3	60 & 80 Pitch	1.750	0.200	1.349	0.489	0.430	0.187	0.294	3.450	1/5"	1/2 - 5/8 - 3/4"	1.130



These all-new IdleMaster Tighteners from Black Ace are designed for use with both roller chains and belts. Their design allows a wide range of applications, including the tightest spots... extending the life of your roller chains and belts.

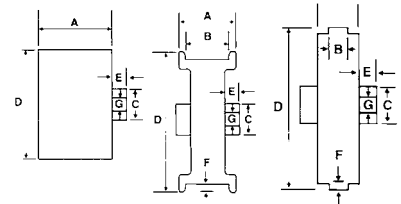


**IdleMaster direct replacements for:**

pitch 40 - 17 tooth	2641BE
pitch 50 - 15 tooth	2651BE
pitch 60 - 13 tooth	2661BE
pitch 80 - 12 tooth	2681BE

- Interchangeable with most idler sprockets.
- Easy to install.
- Ideal for high-pressure-point areas.
- Precision machined of heavy-duty steel to last much longer!
- Perform smoothly on both worn and new chains.
- Can be stacked for double-chain and wide belt applications.
- Bushings to accommodate 3 bolt hole sizes.
- Superior replacements for all types of equipment.

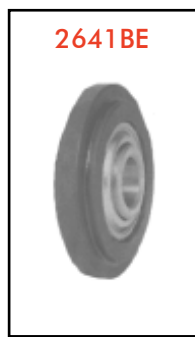
PART NO.	DESCRIPTION	A	B	C	D	E	F	G
PTP 2641BE	No. 40 pitch chain	.550	.290	1.130	2.500	.085	.219	5/8 - 1/2 - 3/8"
PTP 2651BE	No. 50 pitch chain	.550	.370	1.130	3.150	.085	.407	5/8 - 1/2 - 3/8"
PTP 2661BE	No. 60 pitch chain	.550	.489	1.130	3.150	.085	.407	5/8 - 1/2 - 3/8"
PTP 2681BC3	No. 80 pitch chain	.667	.580	.937	3.340	.050	.380	1/2 - 5/8 - 3/4"
PTP 2632BD3	Flat belt tensioner	2.125	-	1.130	2.950	.075	-	1/2 - 5/8 - 3/4"
PTP 2011ABE3	Flanged belt pulley	1.550	1.250	1.130	4.150	.035	.528	1/2 - 5/8 - 3/4"



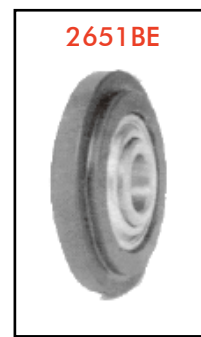
2632BD3 (for belts)



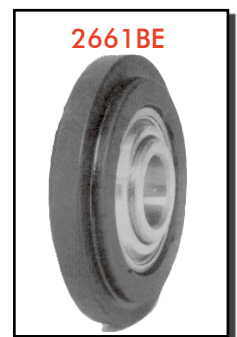
2011ABE3 (for belts)



2641BE



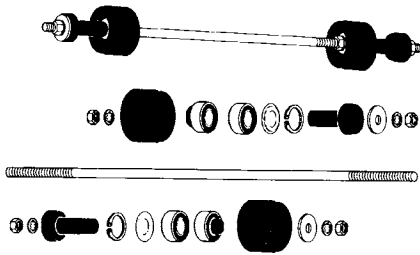
2651BE



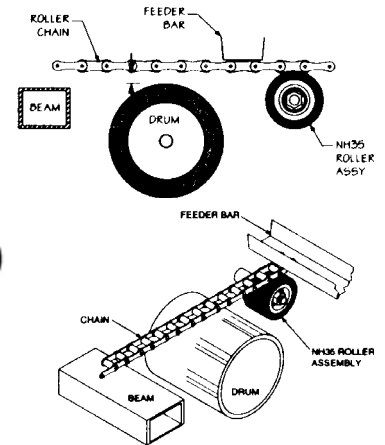
2661BE

**ROLLER ASSEMBLIES - FOR CASE IH & NEW HOLLAND COMBINES**

**Reduce Noise & Wear!**



Black Ace's IH35 roller assembly makes your combine noticeably quieter by keeping feeder chains quiet. It reduces feeder chain wear and extends chain life. The assembly includes a double bearing roller, bolt with nut, and mounting shaft.



PART NO.	FOR USE ON
PTP IH45K37	CASE-IH 60 Series Combines
PTP IH45K47	CASE-IH 80 Series Combines
PTP IH35	CASE-IH All Axial Flow Combines (without shaft)
PTP IH45K473	CASE-IH 80 Series Combines with 3 Strand Feeder Chains
PTP NH35	Most NEW HOLLAND TR Series 70, 75, 85, 86, 95, 96 & 97
PTP BGAS/35	Replacement Bearing
PTP IH45X	Roller and Stub Shaft
PTP R45BRR/BRG	Replacement Roller w/Bearing

- Easy installation.
- Quiet, long-lasting & maintenance free.
- Combine will run noticeably quieter.
- Minimizes maintenance time on your machine.
- Reduces wear on feeder bars and feeder bar slides by keeping chain off the slides.
- Reduces wear on roller chain & chain wear plate.

**FEEDER CHAIN DRIVE SPROCKETS - FOR MOST COMBINES**

Black Ace split sprockets are precision manufactured of heat-treated steel for long life and less down time. They maintain accurate pitch and perfect timing, greatly reducing chain wear; grade 8 bolts secure them tightly to the hex shaft. Forget about the hassle time and cost of pulling out the hex shaft to change sprockets. Super-easy installation!



PART NO.	OEM NO.	FOR USE ON	DESCRIPTION
PTP H5509NHH	1970248C1	Case-IH	9 teeth, 1 1/2" hex bore
PTP H55010MHJD	H118583	John Deere	10 teeth, 1 3/4" hex bore
PTP H55013NHG	71357768	Gleaner	13 teeth, 1 1/2" hex bore
PTP H55012MHNH	766380	New Holland	12 teeth, 1 3/4" hex bore
PTP H55012MHNHO			Split Ring Outside Drive Sprocket

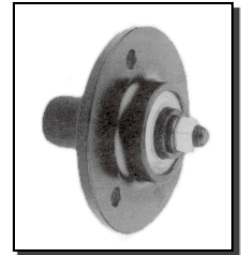
**SEE SECTION 5 FOR A GREAT SELECTION OF ROLLER CHAINS!**

## BEARING ASSEMBLIES - FOR CASE IH ROTARY COMBINES

Black Ace bearing holders easily upgrade the wooden block bearings on grain-pan augers - without replacing the block or removing the auger. The precision-machined steel shaft fits into the end of the auger, making it run true and turn more easily for long trouble-free life.



PART NO.	OEM NO.
PTP IH52	193414C2



## ELEVATOR CHAIN SPROCKETS - FOR MOST COMBINES

Black Ace heat-treated steel split sprockets make replacement of tank and return elevator sprockets faster and easier. They can be installed without pulling out the shaft and disassembling other component parts. They are secured tightly on the shaft.



### Case-IH

### John Deere

PART NO.	OEM NO.	DESCRIPTION
PTP H5507A5	168683C1	7 teeth, 1" bore
PTP H5507B6	1319176C1	7 teeth, 1 1/4" bore
PTP H5507Q6	1302200C1	7 teeth, 1 1/8" bore
PTP H5509B6	1317192C1	9 teeth, 1 1/4" bore
PTP H5509C6	143960A1	9 teeth, 1 3/8" bore

PART NO.	OEM NO.	DESCRIPTION
PTP H5508A6	H103576	8 teeth, 1" bore
PTP H5508B6	H91334	8 teeth, 1 1/4" bore

Black Ace split sprockets may work on other makes and models of combines that require the same number of teeth and bore size shown.



## IDLER ROLLERS

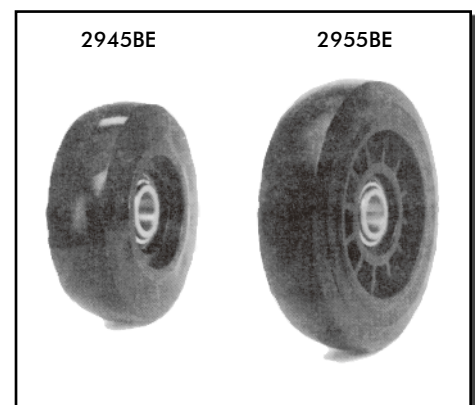


### Features...

- High tech urethane material & high quality greaseless bearing assembly with superior bonding of all materials.
- 4" or 5" diameter x 1" wide.
- 5/8" bolt mounting (with 1/2" bushing).
- Durable construction, made to take shock, light to moderate loads.

### Benefits...

- Quiet, long-lasting, and maintenance free.
- Extremely wear resistant - Reduces downtime & replacement parts costs.
- Light weight, inexpensive and cost effective.
- Versatile - one roller for many applications.



PART NO.	DIAMETER
PTP 2945BE	4"
PTP 2955BE	5"

# TROUBLE-SHOOTING GUIDE

## PROBLEM: The roller chain tightens and loosens to an excessive degree.

**POSSIBLE CAUSE:** The run-out of drive sprockets causes the chain to lope. Since shafts are usually undersized (from .001 to .005 inch) and bores are generally oversized, the sprocket may come slightly off-centre when the set screws are tightened. Even a small amount of run-out causes chain lope.

**SOLUTION:** Use the Snugulator Tightener to absorb the tightening and loosening of the chain. Also, try a tighter fit or a taper-lock hub.

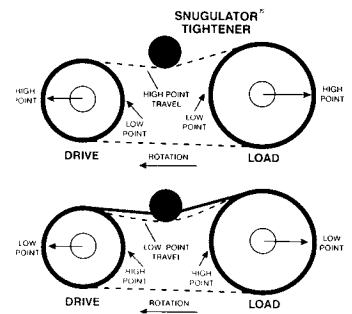
**POSSIBLE CAUSE:** The sprocket shaft is slightly bent, causing the sprocket to move in all directions.

**SOLUTION:** The Snugulator Tightener will help to some degree, but you should also replace the shaft.

**POSSIBLE CAUSE:** Accumulated run-out causes large variations in the length of chain needed on the drive. The greater the number of sprockets in contact with the chain drive, the greater the chain movement. A rhythm develops as the chain is running.

**SOLUTION:** When installed in the correct locations, the Snugulator Tightener will take up much of the variation; it may create a substantial improvement in performance. On a long drive with several sprockets, it's important to keep sprocket run-out to a minimum. Even very slight run-out creates noticeable movement on a chain tightener.

Illustration shows run out of a typical drive and load sprocket. At high points, to the outside, chain is tight and at low points, chain is loose. Snugulator Tightener absorbs the run out, keeping the roller chain tensioned to all points, eliminating flexing and noise.

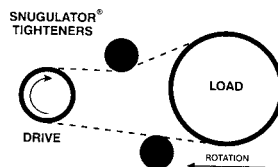


## PROBLEM: The chain is whipping on the power side, making a vibrating, snapping sound.

**POSSIBLE CAUSE:** The chain or sprocket is worn, causing chain grouping. When chain pitch is greater than the pitch of the sprocket tooth, some chain rollers fail to come in contact with the bottom of the tooth. As this section of chain comes off the load sprocket, the sudden excess of chain causes a momentary slack. The drive sprocket takes it up, quickly and forcibly, creating a snap or jerk accompanied by noise, vibration and undue stress on the entire train.

This condition can also occur on new chain and sprockets when the load is on a large-diameter sprocket. The tolerance built into both sprocket and chain make it difficult to match them with great precision. This is why sprockets must be slightly undersized to accept the new chain. Slight whipping will begin as soon as the chain's pitch increases due to normal wear.

**SOLUTION:** Position a Snugulator Tightener slightly deflecting the chain as it comes off the load sprocket. (This works with both new and worn chain.) Replace worn chain. Excessive chain wear may cause chain links to group up on the sprocket.



## PROBLEM: The roller chain is getting hot.

**POSSIBLE CAUSE:** The chain may be moving too fast.

**SOLUTION:** Lubricate the chain to reduce friction. Substitute chain with a multiple smaller pitch.

**POSSIBLE CAUSE:** The load is too heavy for the pitch.

**SOLUTION:** Use a heavier chain or multiple chains of the same pitch. Install Snugulator or IdleMaster Tighteners.

## PROBLEM: Chain and/or sprockets are showing rapid excessive wear.

Sprockets and chain do wear, even under the most ideal conditions. But this wear can become excessive due to several possible factors. • Heat • Sprocket run-out • Incorrect match of pitch between sprockets and roller chain • Roller spin • Environmental factors • Load • Quality of the parts • Excessive flexing

**POSSIBLE CAUSE:** Roller chain is flexing and jumping, causing overall vibration.

**SOLUTION:** Use Snugulator and/or IdleMaster Tighteners as shown on the installation diagrams.

**POSSIBLE CAUSE:** Check chain and sprocket wear.

**SOLUTION:** If worn, replace both.

**POSSIBLE CAUSE:** Check sprockets alignment.

**SOLUTION:** Align sprockets with a straight-edge.

**POSSIBLE CAUSE:** Inspect the chain assembly for excessive roller wear, increasing chain pitch.

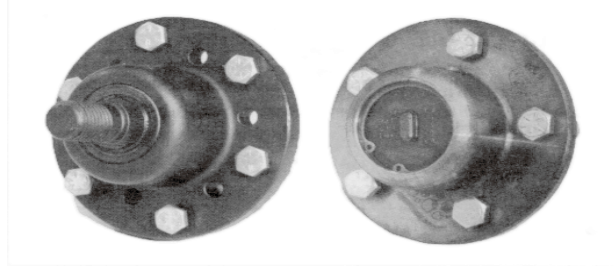
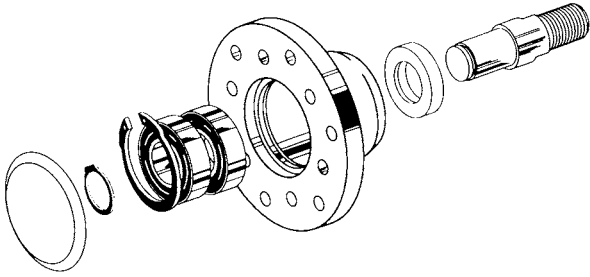
**SOLUTION:** Use Snugulator and/or IdleMaster Tighteners.

A high degree of roller spin may also cause chain to wear. When sprocket idlers are used as tighteners, rollers often spin as sprockets engage and disengage the chain. Often overlooked, this condition becomes more noticeable as chain wears. Wear results when the links flex to conform with the sprocket. While a certain amount of wear is normal, an excessive amount is likely to be caused by whipping and vibrating on the slack side. The Snugulator Tightener can be used to dampen the whipping, flexing and vibration; or use the IdleMaster Tightener in high-stress areas. Neither tightener is influenced by chain wear; both reduce roller spin.



## HUBS FOR MARKERS & COULTERS

Precision-machined steel Black Ace cultivator coulters hubs feature easy installation and long, maintenance-free life. Two sealed easy-to-replace 6203 bearings are included, along with dust cap, bolts and self-locking nuts. You can use your existing discs.



PART NO.	DESCRIPTION	FITS	INCLUDES
PTP HC3A	Coulter Hub	5 <sup>5</sup> / <sub>16</sub> " holes, 3" bolt-hole circles	5 <sup>5</sup> / <sub>16</sub> " bolts
PTP HC12A	Marker Hub	Fit hubs with 5 <sup>5</sup> / <sub>8</sub> " bolt holes Fits Case-IH (90850C92) and John Deere (AA27928) 6-hole, 3" bolt hole circle 6-hole, 2 <sup>1</sup> / <sub>2</sub> " bolt hole circle	6 <sup>1</sup> / <sub>4</sub> " bolts

*Grease filled auxiliary seals with replaceable 6203 bearings.*

### ABOUT THE COMPANY BEHIND BLACK ACE PARTS...

A comprehensive line of Black Ace Quality Parts and other specialized parts are produced and manufactured by TEROG Manufacturing company. Based in Stephen, MN, this family-owned business has over a quarter century of experience in developing innovative, durable parts that meet and often exceed the needs of todays equipment. Black Ace Parts are designed for easy installation, low maintenance, heavy-duty strength and adaptability. Many Black Ace Parts are interchangeable, working in several applications, minimizing costly downtime and improving performance on all types of equipment.



**BLACK  
ACE**

## SUNFLOWER PANS

Bolt directly to your existing guards. Use your existing header to harvest sunflowers.



PART NO.	DESCRIPTION	
CYL SP9	OLDER MODEL HEADERS	9
CYL SP9SP	OLDER MODEL HEADERS (SPLIT PAN) SET OF 2	9
CYL SPHB	HONEYBEE, MACDON 672 HEADER SPACER REQUIRED	9
CYL SPHBSP	HONEYBEE, MACDON 672 HEADER (SPLIT PAN) SET OF 2 SPACER REQUIRED	9
CYL SPSPHB	SPACER TO FIT HONEYBEE HEADER 1 7/8" SET OF 2	
CYL SPSPMD	SPACER TO FIT MACDON 972 HEADER 1 1/2" SET OF 2	

## FITS CATERPILLAR - LEXION

### Sunnybrook Cylinder Bars & Kits

All bars are carefully checked and sets are matched for equal weight distribution on the cylinder prior to shipment. Grade 8 Fasteners are supplied for most models.



APPLICATION	DESCRIPTION	PART NUMBER
460, 480 (OEM Cylinders)	Complete Set, Black Complete Set, Boron	SHI SBLX020 SHI SBLX026
460, 480 (High Inertia Generation II Cylinders)	Left, Black (Each, Shipped in Pairs) Left, Boron (Each, Shipped in Pairs) Right, Black (Each, Shipped in Pairs) Right, Boron (Each, Shipped in Pairs) Complete Set, Black Complete Set, Boron	SHI SBG2530 SHI SBG2536 SHI SBG2550 SHI SBG2556 SHI SBLX600 SHI SBLX606

### Sunnybrook Cylinders

APPLICATION	DESCRIPTION	PART NUMBER
460, 480	Generation II High Inertia Cylinder w/Black Bars Generation II High Inertia Cylinder w/Boron Bars APS Cylinder w/Boron Bars	SHI SBLX010 SHI SBLX016 SHI SBLX036

### Miscellaneous

DESCRIPTION	PART NUMBER
Shim/Cylinder Bar (All Makes), 100/Pkg	SHI SBSH0020



## FITS CCIL

### Sunnybrook Cylinder Bars & Kits

All bars are carefully checked and sets are matched for equal weight distribution on the cylinder prior to shipment. Grade 8 Fasteners are supplied for most models.



APPLICATION	DESCRIPTION	PART NUMBER
960, 9600	Complete Set (960), Black Complete Set (9600), Black	SHI SBP0040 SHI SBP0050

### Sunnybrook Concaves and Components

All concaves are LINE BORED for uniform height of bars at cylinder contact points and have added strength at stress points. These concaves are made of heavy duty high carbon steel cross bars and high carbon steel 1/4" wires. Narrow spaced rotary concaves feature low wire for more aggressive separation. Holes are drilled to provide a tight wire fit, which prevents spearing and trapping of straw. Corn concaves feature wider spacing and high wires to prevent plugging between bars.

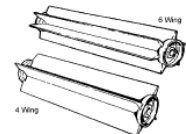


APPLICATION	DESCRIPTION	PART NUMBER
960, 9600	1" Black 2" Black	SHI SBP0020 SHI SBP0010

### Sunnybrook Beaters

Balance 4 and 6 deep fin backbeaters, increase stripping action and help prevent backfeeding over the top of the cylinder. Both styles of beaters are welded assemblies and are made of heavy duty abrasive resistant steel.

APPLICATION	DESCRIPTION	PART NUMBER
960, 9600	Back Beater, Heavy Duty, 4-Blade	SHI SBP0030



### Miscellaneous

DESCRIPTION	PART NUMBER
Filler Plates (Conventional Concaves, Advise Model Number)	SHI SBFP0010
Shim/Cylinder Bar (All Makes), 100/Pkg	SHI SBSH0020

## FITS CHALLENGER

### Sunnybrook Cylinder Bars & Kits

All bars are carefully checked and sets are matched for equal weight distribution on the cylinder prior to shipment. Grade 8 Fasteners are supplied for most models.



APPLICATION	DESCRIPTION	PART NUMBER
660, 670	Forward Wide, Black (Each, Shipped in Pairs) Forward Wide, Boron (Each, Shipped in Pairs) Reverse Wide, Black (Each, Shipped in Pairs) Reverse Wide, Boron (Each, Shipped in Pairs) Impeller, ASY, 3/8" C1045 Blade (Requires 21 for grain/corn, 42 for rice)	SHI SBA0530 SHI SBA0536 SHI SBA0550 SHI SBA0556 SHI SBM0380

## FITS CHALLENGER

### Sunnybrook Concaves and Components

All concaves are LINE BORED for uniform height of bars at cylinder contact points and have added strength at stress points. These concaves are made of heavy duty high carbon steel cross bars and high carbon steel ¼" wires. Narrow spaced rotary concaves feature low wire for more aggressive separation. Holes are drilled to provide a tight wire fit, which prevents spearing and trapping of straw. Corn concaves feature wider spacing and high wires to prevent plugging between bars.



APPLICATION	DESCRIPTION	PART NUMBER
660, 670	Single Narrow, Black (Requires 7)	SHI SBM0270
	Single ¼" Narrow, Black (Requires 7)	SHI SBM0272
	Single Narrow, High Wire, Black (Requires 7)	SHI SBM0290
	Single Wide, Black (Requires 7)	SHI SBM0280
	Single Wide, High Wire, Black (Requires 7)	SHI SBM0300
	Single Narrow, Boron (Requires 7)	SHI SBM0266

### Miscellaneous

DESCRIPTION	PART NUMBER
Shim/Cylinder Bar (All Makes), 100/Pkg	SHI SBSH0020

## FITS CLAAS

### Sunnybrook Cylinder Bars & Kits

All bars are carefully checked and sets are matched for equal weight distribution on the cylinder prior to shipment. Grade 8 Fasteners are supplied for most models.



APPLICATION	DESCRIPTION	PART NUMBER
70, 76	Complete Set, Black	SHI SBC0230
85, 88, 96, 98 (OEM Cylinders)	Complete Set, 6-Hole, Black	SHI SBC0040
	Bar 2/set, 6-Hole, Black (pair)	SHI SBC0042
85, 88, 96, 98 (High Inertia Generation I Cylinders)	Special Set, Black	SHI SBC0240
	Special Bar 2/set, Black (pair)	SHI SBC0242
	Special Set, Boron	SHI SBC0226
105, 106, 108 (OEM Cylinders)	Complete Set, Black	SHI SBC0120
	Bar 2/set, Black (pair)	SHI SBC0122
	Complete Set, Boron	SHI SBC0106
105, 106, 108 (High Inertia Generation I Cylinders)	Special Set, Black (For Modified 9-hole OEM)	SHI SBC0140
	Special Set, Black	SHI SBC0250
	Special Bar 2/set, Black (pair)	SHI SBC0252
	Special Set, Boron	SHI SBC0236
112, 114 (OEM Cylinders)	Complete Set, 6-Hole, Black	SHI SBC0040
112, 114 (High Inertia Generation I Cylinders)	Special Set, Black	SHI SBC0240
	Special Set, Boron	SHI SBC0226
116 (OEM Cylinders)	Complete Set, Black	SHI SBC0120
	Bar 2/set, Chrome (pair)	SHI SBC0122
	Complete Set, Boron	SHI SBC0106
116 (High Inertia Generation I Cylinders)	Special Set, Black	SHI SBC0250
	Special Set, Boron	SHI SBC0236

## FITS CLAAS

### Sunnybrook Concaves and Components

APPLICATION	DESCRIPTION	PART NUMBER
70, 76	1" Heavy Duty, Black	SHI SBC0220
85, 88, 96, 98	1" Heavy Duty, Black	SHI SBC0020
105, 106, 108	1" Heavy Duty, Black	SHI SBC0150
112, 114	1" Heavy Duty, Black	SHI SBC0180
116	1" Heavy Duty, Black	SHI SBC0110

### High Inertia Cylinders

APPLICATION	DESCRIPTION	PART NUMBER
85, 88, 96, 98, 112, 114	Generation I Cylinder, 52" w/Black Bars	SHI SBC0130
105, 106, 108, 116	Generation I Cylinder, 62" w/Black Bars	SHI SBC0090

### Miscellaneous

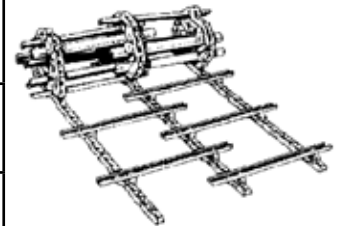
DESCRIPTION	PART NUMBER
Filler Plates (Conventional Concaves, Advise Model Number)	SHI SBFP0010
Shim/Cylinder Bar (All Makes), 100/Pkg	SHI SBSH0020

## FITS FORD / NEW HOLLAND

### Feederhouse Chains

Our feederhouse chains utilize American Made chain with the slats mounted directly over the roller pins helping to eliminate stretching. The slats are bolted to the chain with  $\frac{3}{8}$ " grade 5 plated bolts and locknuts, for easy replacement. Chains feature full side plates and high strength steel for added strength. All Feederhouse chains are supplied with serrated slats every 4th link. Please ask your sales representative about availability and cost of different slats or chain if required for your application. To extend the life of your chain assemblies, always replace the sprockets when installing a new chain.

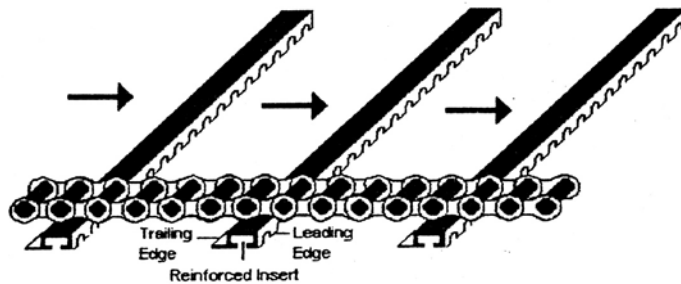
APPLICATION	DESCRIPTION	PART NUMBER
TR70, TR75, TR85	New Feederhouse Chain 93 links - slat every 2nd and 4th link 15 $\frac{1}{4}$ " C-C on sprockets, 550 Chain	CYL WPX28031L
TR70, TR75, TR85	New Feederhouse Chain 93 links - slat every 2nd & 4th link, chrome pins 15 $\frac{1}{4}$ " C-C on sprockets, 557 Chain	CYL WPX28033L
TR75, TR85, TR86	New Feederhouse Chain 93 links - slat every 2nd & 4th link, chrome pins 17 $\frac{1}{8}$ " C-C on sprockets,, 557 Chain	CYL WP9623769L
TR75, TR85, TR86	New Feederhouse Chain 93 links - slat every 2nd, chrome pins 17 $\frac{1}{8}$ " C-C on sprockets, 557 Chain	CYL WPX28035L
TR85, TR86, TR95, TR96	New Feederhouse Chain 93 linnks - slat every 2nd and 4th link, 21 $\frac{1}{8}$ " C-C on sprockets, 550 Chain	CYL WPX28036L
TR95, TR96 (Prior S/N 526378)	New Feederhouse Chain 93 links - slat eery 2nd link, chrome pins 21 $\frac{1}{8}$ " C-C on sprockets, 557 Chain	CYL WP696235L



**FITS FORD / NEW HOLLAND**

**Plastic Slat Feeder Chain**

- Designed to handle today's larger crops and specialty crops gently and efficiently.
- Lighter, easier on drive components
- Super tough nylon slat with spring steel insert is less abrasive than a steel slat to the feeder house.
- Improves feeding, runs quieter, and lasts longer
- Reduces maintenance costs to save you money



**CHAIN**

- American made 557 chain not 550
- Heavier rollers and side links
- Outlasts

**SLAT**

- Super tough reinforced nylon to maintain shape
- 5160 Spring steel heat treated insert
- Bolted, not riveted
- Slat design forces material into the cylinder
- Leading Edge is notched for better feeding
- Trailing Edge eliminates back feeding
- Slats every 4th link on center chain.

DESCRIPTION	NO. OF CHAINS	NO. OF LINKS	NO. OF SLATS	SLAT LENGTH	C-C	WT	PART NO.
NH TR 70/75/85	3	92	24	20 <sup>3</sup> / <sub>8</sub> "	15 <sup>1</sup> / <sub>4</sub> "	95	SHI FC1425
NH TR 85/86/96/97/98/99	3	92	24	20 <sup>1</sup> / <sub>4</sub> "	17 <sup>3</sup> / <sub>16</sub> "	110	SHI FC1430
NH TR95, TR96 BELOW SERIAL 529778	3	92	24	24 <sup>1</sup> / <sub>8</sub> "	21 <sup>1</sup> / <sub>8</sub> "	141	SHI FC1435
NH TX 36	3	106	26	30 <sup>1</sup> / <sub>4</sub> "	22 <sup>3</sup> / <sub>16</sub> "	164	SHI FC1440
NH TX 66/68	3	116	29	30 <sup>1</sup> / <sub>4</sub> "	22 <sup>1</sup> / <sub>4</sub> "	146	SHI FC1441
NH TX 66/68	4	116	40	21 <sup>1</sup> / <sub>4</sub> "	14 <sup>7</sup> / <sub>8</sub> "		SHI FC1442
	CENTER SLAT			21 <sup>1</sup> / <sub>4</sub> "	18"	190	
NH CR 960	3	111	28	20 <sup>1</sup> / <sub>4</sub> "	17 <sup>3</sup> / <sub>16</sub> "	116	SHI FC1444
NH CR 970	3	111	28	25 <sup>1</sup> / <sub>4</sub> "	22 <sup>1</sup> / <sub>4</sub> "	158	SHI FC1445
NH TR SPLIT SPROCKET	ORDER 2 OUTSIDE & 1 CENTER					26	CYL NHSTSP

**Feederhouse Chain Sprockets**

To extend the life of your chain assemblies, always replace the sprockets when installing a new chain.

APPLICATION	DESCRIPTION	PART NUMBER
TR70, TR75(Prior S/N 304699), TR85 (Prior S/N 307999)	Feederhouse Chain Sprocket - Center Feederhouse Chain Sprocket - Outside Conventional - 12 Teeth, 1.750" round	CYL WP765721 CYL WP765720
TR75 (Eff S/N 304699), TR85 (Eff S/N 307999), TR86, TR95, TR96, TR97	Feederhouse Chain Sprocket - Center Feederhouse Chain Sprocket - Center Feederhouse Chain Sprocket - Outside Feederhouse Chain Sprocket - Outside Rotaries - 12 Teeth, 1.750" Hex	CYL WP766380 CYL WP766380H (Hardened) CYL WP766379 CYL WP766379H (Hardened)



## FITS FORD / NEW HOLLAND

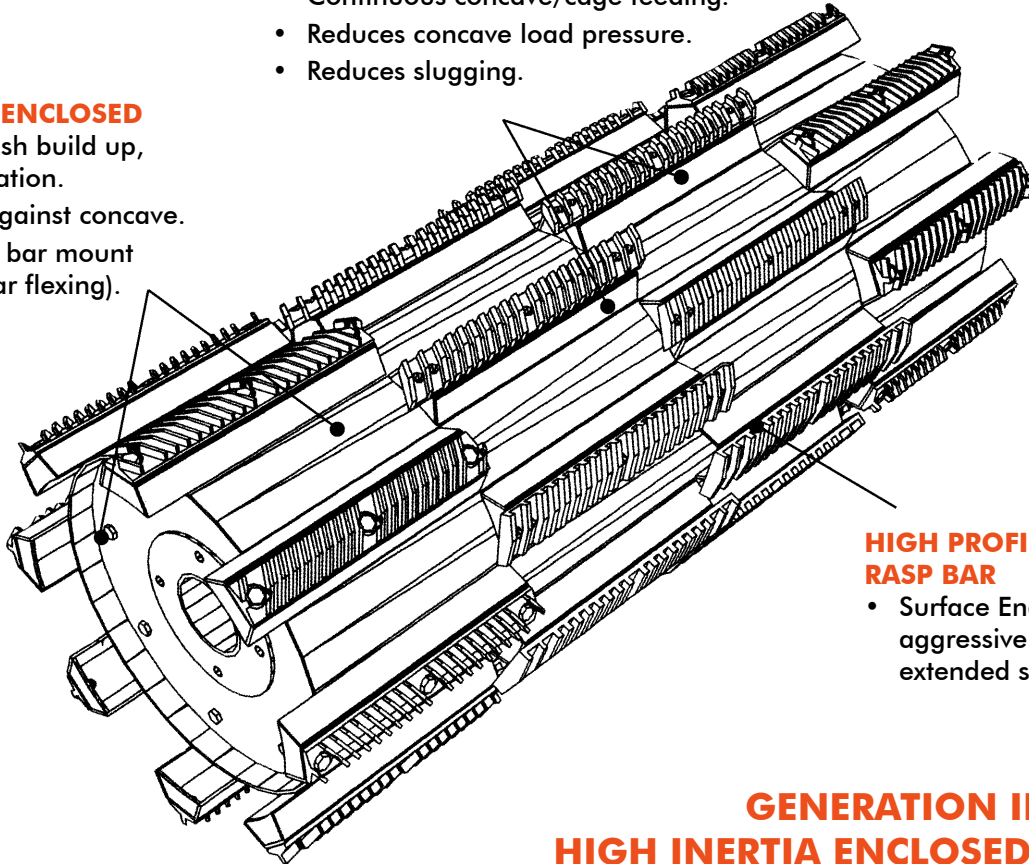
### Generation II, High Inertia Cylinders

#### KNUCKLED DESIGN

- Continuous concave/cage feeding.
- Reduces concave load pressure.
- Reduces slugging.

#### HIGH INERTIA ENCLOSED

- Eliminates trash build up, reducing vibration.
- Forces crop against concave.
- Rigid cylinder bar mount (eliminates bar flexing).



#### HIGH PROFILE BORONIZED RASP BAR

- Surface Engineered, aggressive design, extended service life.

### GENERATION II HIGH INERTIA ENCLOSED CYLINDER BY SUNNYBROOK

APPLICATION	DESCRIPTION	PART NUMBER
TX36, TX66, TX68, TX69	Generation II w/Black Bars	SHI SBN0240
	Generation II w/Boron Bars	SHI SBN0246
CX840, CX860, CX880	Generation II w/Black Bars	SHI SBN0270
	Generation II w/Boron Bars	SHI SBN0276

## FITS FORD / NEW HOLLAND

### Cylinder Bars and Kits

All bars are carefully checked and sets are matched for equal weight distribution on the cylinder prior to shipment. Grade 8 Fasteners are supplied for most models.

APPLICATION	DESCRIPTION	PART NUMBER
TR70, TR75. TR85 (Prior S/N 501850)	New Cylinder Bar Kit	CYL WPONH-70
TR75, TR76, TR85, TR86 (Prior S/N 529738), TR95 (Eff S/N 501851), TR96 (Prior S/N 529778), Style I S3 Rotor	New Cylinder Bar Kit  Flat - 2 Hole 12 LH & 12 RH	Standard CYL WPONH-95 Hardened CYL WPONH-95H Chrome CYL WPONH-95C
TR86 (Eff. S/N 529739), TR96 (Eff. S/N 529779), TR97, TR98, TR99	New Cylinder Bar Kit Hardened	CYL WPONH-96H



### Sunnybrook Cylinder Bars and Kits

APPLICATION	DESCRIPTION	PART NUMBER
1400	1 Set, Black	SHI SBN0120
1500	1 Set, Black	SHI SBN0060
975, 980, 985	1 Set, Black	SHI SBN0120
990, 995	1 Set, Black	SHI SBN0060
TR70, TR75	1 Set, Black Bar, Angle, Left, 2/set, Black Bar, Flat, Left, 2/set, Black Bar, Angle, Right, 2/set, Black Bar, Flat, Right, 2/set, Black	SHI SBN0180 SHI SBN0182AL SHI SBN0182FL SHI SBN0182AR SHI SBN0182FR
TX36, TX66, TX68, TX69	1 Set, Black Bar, Left, 2/set, Black Bar, Right, 2/set, Black 1 Set, Boron	SHI SBN0030 SHI SBN0032 SHI SBN0034 SHI SBN0026
CX840, CX860, CX880	Bar, Cylinder/set, CX Black Bar, Cylinder 2/set, Left/Right, CX STD Black Bar, Cylinder/set, CX Boron Bar, Cylinder 2/set, Left/Right, CX STD Boron	SHI SBN0260 SHI SBN0262 SHI SBN0266 SHI SBN0268
TX36, TX66, TX68, TX69 (Generation II High Inertia Cyl.)	Outer Left, Black (Each, Shipped in Pairs) Outer Left, Boron (Each, Shipped in Pairs) Left, Black (Each, Shipped in Pairs) Left, Boron (Each, Shipped in Pairs) Outer Right, Black (Each, Shipped in Pairs) Outer Right, Boron (Each, Shipped in Pairs) Right, Black (Each, Shipped in Pairs) Right, Boron (Each, Shipped in Pairs) Complete Set, Black Complete Set, Boron	SHI SBG2520 SHI SBG2526 SHI SBG2530 SHI SBG2536 SHI SBG2540 SHI SBG2546 SHI SBG2550 SHI SBG2556 SHI SBG2650 SHI SBG2656

## FITS FORD / NEW HOLLAND

### Hydrostat Transmissions - Combine

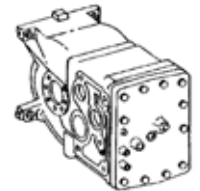
Sauer / Sundstrand, Eaton, and Dynapower are a few of the major brands of Combine Hydrostats we stock. Our hydrostats are remanufactured by a Nationally known remanufacturer that has been recognized as a "Remanufacturing Facility" by Sauer/ Sundstrand. All units are assembled from scratch by a factory trained technician, utilizing GENUINE remanufactured and replacement parts. All units are fully tested to factory specification assuring you of the highest quality and maximum performance.

APPLICATION	DESCRIPTION	PART NUMBER
01 985, 1400, 1500	Remanufactured Hydrostat, Sauer Getriebe - 2 Piece	CYL WPH1500-22/23
TR95	Remanufactured Hydrostat, Sunstrand - 2 Piece	CLY WPH95S
TR70 (Prior S/N 293511)	Remanufactured Hydrostat, Sunstrand	CYL WPH7700S
TR70 (Eff. S/N 293512), TR75 (S/N 304740- 403000), TR85 (S/N 308086- 310400)	Remanufactured Hydrostat, Sunstrand	CYL WPH7720S



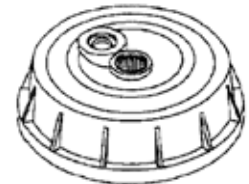
### Transmissions - Combine

APPLICATION	DESCRIPTION	PART NUMBER
TR70	Remanufactured Transmission Units w/gear drive	CYL WPT100PT
TR70 (Prior S/N 293511)	Remanufactured Transmission Units w/Hydrostats	CYL WPT100H-E
TR70 (Eff. S/N 293512)	Remanufactured Transmission Units w/Hydrostats	CYL WPT100H-L
TR75 (Prior S/N 304739), TR85 (Prior S/N 308085)	Remanufactured Transmission Units w/gear drive	CYL WPT200PT
TR75 (Prior S/N 304739), TR85 (Prior S/N 308085), TR95 (Prior S/N 501200)	Remanufactured Transmission Units w/Hydrostats	CYL WPT200H



### Brake Drums

APPLICATION	DESCRIPTION	PART NUMBER
TR70, TR75 (Prior S/N 304739), TR85 (Prior S/N 308085), TR95 (Prior S/N 501200)	New Brake Drum	CYL WPH85887

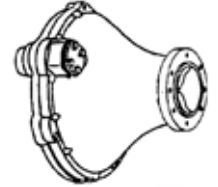




## FITS FORD / NEW HOLLAND

### Final Drives and Components

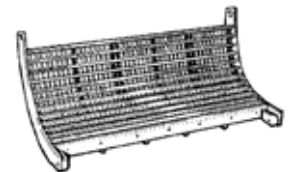
APPLICATION	DESCRIPTION	PART NUMBER
01 TR70 (Prior S/N 197550)	Remanufactured Final Drives 11 to 90 Ratio (Clam Shell Hsg.)	CYL WPF11-90BP
10 TR70 (Eff. S/N 197551), TR75 (w/26" Tires), TR85 (w/26" Tires)	Remanufactured Final Drives 11 to 90 Ratio (Inspect. Cover Style Hsg.)	CYL WPF70
20 TR95 (Prior S/N 501200)	Remanufactured Final Drives Planetary Type	CYL WPF8820PT
30 TR70 (Prior S/N 197550)	New Pinion Shaft 11 Tooth, 8.320" Long For use in 11:104 & 11:90 Big Pinion Final Drives	CYL WPH85817



### Concaves and Components

All concaves are LINE BORED for uniform height of bars at cylinder contact points and have added strength at stress points. These concaves are made of heavy duty high carbon steel cross bars and high carbon steel 1/4" wires. Narrow spaced rotary concaves feature low wire for more aggressive separation. Holes are drilled to provide a tight wire fit, which prevents pearing and trapping of straw. Corn concaves feature wider spacing and high wires to prevent plugging between bars.

APPLICATION	DESCRIPTION	PART NUMBER
TR70	New Concave 11 Cross Bars - Narrow Spaced	CYL WPCNH-70-11
TR75 (Eff. S/N 43001), TR85 (Eff. S/N 310401), TR86 (Prior S/N 526600), TR96 (Prior S/N 527822)	New Concave Rotary -8 Cross Bars w/ 2 rows of wires (2 units) Replaces OEM P/N 680768, 680767	CYL WPCNH85-8ST
TR75 (Prior S/N 403000), TR85 (Prior S/N 310400), TR95 (Prior S/N 501200)	New Concave Rotary - 11 Cross Bars w/ narrow spaced wires (2 units) Replaces OEM P/N 677109, 677108	CYL WPCNH-95-11
TR86 Eff. S/N 526601, TR87, TR88, TR89, TR96 Eff. S/N 527821, TR97, TR98, TR99	New Concave 11 Cross Bars - Narrow Spaced	CYL WPCNH-96-11
TR70, TR75, TR76, TR85, TR86, TR87, TR88, TR89, TR97, TR98, TR99	New 1 pc Concave Extension Grates Left Hand Right Hand Small Grain / Universal	CYL WPCNHE-73L CYL WPCNHE-73R
TR95	New 3 pc concave Extension Grates Left Hand Right Hand Small Grain / Universal	CYL WPCNHE-95L CYL WPCNHE-95R
96, 97, 98, 99	New 2pc Concave Extension Grates Left Hand Right Hand Small Grain / Universal	CYL WPCNHE-97L CYL WPCNHE-97R



### Sunnybrook Concaves and Components

APPLICATION	DESCRIPTION	PART NUMBER
1400	1" Black Heavy Duty 2" Black Heavy Duty	SHI SBN0110 SHI SBN0100
1500	1" Black Heavy Duty 2" Black Heavy Duty	SHI SBN0050 SHI SBN0040
975, 980, 985	1" Black Heavy Duty 2" Black Heavy Duty	SHI SBN0140 SHI SBN0130
990, 995	1" Black Heavy Duty 2" Black Heavy Duty	SHI SBN0080 SHI SBN0070
TR70	Left, 11 Bar, Narrow Wire, Black Right, 11 Bar, Narrow Wire, Black	SHI SBN0170 SHI SBN0160

## FITS FORD / NEW HOLLAND

### Sunnybrook Concaves and Components (cont'd)

APPLICATION	DESCRIPTION	PART NUMBER
TR75, TR85, TR95	Left, 11 Bar, Narrow Wire, Black Right, 11 Bar, Narrow Wire, Black	SHI SBN0200 SHI SBN0190
TR86, TR96, TR97, TR98, TR99	Left Quick Change, 11 Bar, Narrow Wire, Black Right Quick Change, 11 Bar, Narrow Wire, Black	SHI SBN0210 SHI SBN0220
TX36, TX66, TX68, TX69	Concave/TX36, 1" Black Heavy Duty w/Flappers Concave/TX36, 1" Chrome Heavy Duty w/Flapper	SHI SBN0020 SHI SBN0015
CX840, CX860, CX880	Concave/CX w/ SS Replaceable Wear Edges, Black Replaceable Wear Edge CX SS (16'S) Replaceable Wear Edge CX Boron (16'S)	SHI SBN0250 SHI SBN0252 SHI SBN0256

### Miscellaneous

DESCRIPTION	PART NUMBER
Filler Plates (Conventional Concaves, Advise Model Number)	SHI SBF0010
Shim/Cyl. Bar (All Makes) 100/pkg	SHI SBSH0020

### Harvest Concaves for Rotary Combines

#### ROD CONCAVES

- Specially designed for high moisture corn, popcorn and specialty crops
- 3/4" rod rather than wire
- Treats the corn gentler by not mashing the kernel and breathing up the cob
- Concave is a universal fit - fits either left or right.
- The universal concave fits all models of TR combines by simply adding the appropriate side plate & rear deflector.

**ALSO AVAILABLE IN WIDE WIRE CONCAVES AND NARROW WIRE CONCAVES. Narrow wire concaves recommended for small grains.**

DESCRIPTION	WT	PART NO.
TR 70/75/76/85/86/95/96/97/98 Harvest Concave Rod	79	CYL CO2400ROD
TR 70/75/76/85/86/95/96/97/98 HARVEST CONCAVE WIDE	76	CYL CO2400WW
TR 70/75/76/85/86/95/96/97/98 HARVEST CONCAVE NARROW	79	CYL CO2400NW
TR 70/75/76/SIDEPLATES - SET OF 2	6	CYL SP2400
TR 85/86/95/96/97/98 SIDEPLATES - SET OF 2	6	CYL SP2410
TR 70/75/76/85/86/REAR DEFLECTOR - EACH	2	CYL DE2400
TR 95/96/97/98/REAR DEFLECTOR - EACH	2	CYL DE2410
TR 70/75/76/85/86/95/96/97/98 COVERPLATE - EACH	6	CYL CP2400
SET OF 2 CO2400 COMPLETE WITH SIDEPLATES & DEFLECTOR - ROD		CYL NHSET1ROD
SET OF 2 CO2400 COMPLETE WITH SIDEPLATES & DEFLECTOR - WIDE		CYL NHSET1WW
SET OF 2 CO2400 COMPLETE WITH SIDEPLATES & DEFLECTOR - NARROW		CYL NHSET1NW

## FITS FORD / NEW HOLLAND

### Harvest Concaves for New Holland Conventional Combines

**HOW HARVEST CONCAVES FOR CONVENTIONAL & ROTARY COMBINES DIFFER FROM ORIGINAL FACTORY CONCAVES.**

- Made from 1045 carbon steel • More bar over the wire for improved performance and longer life
- Precision bored for a proper fit • Wire diameters are larger so that they keep their shape and last longer
- Heavier and stronger than OEM to maintain their shape • Holes are drilled, not punched for a snug wire fit so that there is no wire-to-hole gap to trap straw.

DESCRIPTION	WT	PART NO.
NH 1400 HIGH WIRE	224	CYL CO2450HW
NH 1500 HIGH WIRE	286	CYL CO2460HW
TX 36, 66, 68 HIGH WIRE	325	CYL CO2470HW
NH CX 860 HIGH WIRE	485	CYL CO2425HW

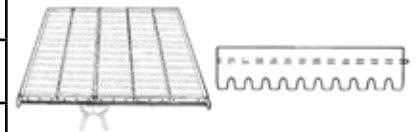
### Wear Bars

APPLICATION	DESCRIPTION	PART NUMBER
TR70, TR75, TR76, TR85, TR86, TR87, TR88, TR89, TR96, TR97, TR98	New Wear Bars 2LH & 2RH Hardened	CYL WPWBNH-1H
TR70, TR75, TR76, TR85, TR86, TR87, TR88, TR89, TR96, TR97, TR98, TR99	New Wear Bars 4LH & 4RH Hardened	CYL WPWBNH-2H
TR95, TR96 Prior S/N 529779	New Wear Bars 2LH & 2RH Hardened	CYL WPWBNH-4H
TR95 Prior S/N 501200	New Wear Bars 2LH & 2RH Hardened	CYL WPWBNH-5H

### Blunt Finger Bottom Sieves

Adjustable Blunt Finger Sieves - These adjustable sieves feature nylon adjustable mechanisms and cushions in each wire hole to improve adjustments and reduce friction, wear, and breakage. Individual replacement louvers make for easier repairs. Wire spacing is 1 1/8".

APPLICATION	DESCRIPTION	PART NUMBER
TR70, TR75, TR76, TR85, TR86, TR87, TR88	New Blunt Finger Bottom Sieve, 39.81" x 47.88"	CYL WPBFNHB-70
TR89, TR95 Eff. S/N 501851, TR96, TR97, TR98, TR99	New Blunt Finger Bottom Sieve, 53.91" x 47.88"	CYL WPBFNHB-95
TR95 Prior S/N 501851, TR96, TR97, TR98	New Blunt Finger Bottom Sieve, 27.23" x 47.88" 2 piece unit	CYL WPBFNHB-95-2

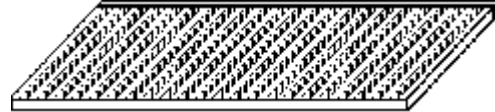


## FITS FORD / NEW HOLLAND

### Harvest Sieves - Air foil chaffers, plastic adjustable top & bottom sieves

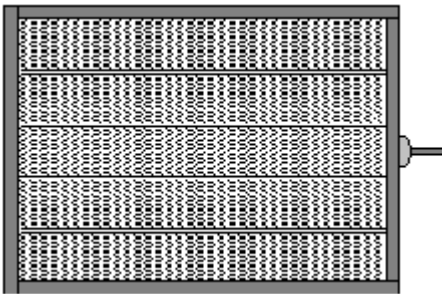
#### ALL STEEL AIRFOIL CHAFFER

- Uniform air distribution across entire width of chaffer.
- Cushion of air keeps lighter material suspended while heavier material (grain) falls through.
- Air is directed almost straight up.
- No adjustments - just fan speed.
- Almost 100% recovery from canola to beans.
- Money Back Guarantee & Lifetime Warranty.



#### PLASTIC ADJUSTABLE

- Patented plastic sieve is approx. 40% lighter than steel.
- Top chaffer - 1 3/8" spacing standard for 1 1/2" for corn.
- Precision adjustments by increments.



#### PLASTIC LOUVER



- Cupped tail scoop on bottom side of louver forces air more vertical.
- Plastic louvers won't rust.
- Smooth profile of louvers reduce sappy weed buildup & "icing".
- Plastic louvers, joiners, etc. are fully replaceable.

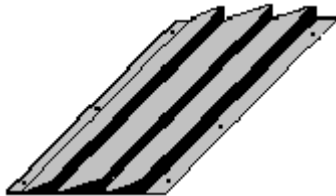
DESCRIPTION	TO FIT	L x W	WT	PART NO.
AIRFOIL CHAFFER	NH 980, 985	60" x 39"	54	CYL CH1405
AIRFOIL CHAFFER	NH 990, 995	57" x 49"	76	CYL CH1410
AIRFOIL CHAFFER	NH 1400	64" x 39"	52	CYL CH1415
AIRFOIL CHAFFER	NH 1500	64" x 48"	63	CYL CH1420
ADJUSTABLE CHAFFER	NH 1500	64" x 48"	63	SHI ACH1420
BOTTOM SIEVE	NH 1500	50" x 49"	58	SHI BS1420
AIRFOIL CHAFFER	TR 70, 75, 85, 86, 87	64" x 39"	64	CYL CH1425
ADJUSTABLE CHAFFER	TR 70, 75, 85, 86, 87	64" x 39"	72	SHI ACH1425
BOTTOM SIEVE	TR 70, 75, 85, 86, 87	50" x 39"	45	SHI BS1425
AIRFOIL CHAFFER	TR 95, 96 - 2 PC	65" x 27"	81	CYL CH1430
ADJUSTABLE CHAFFER	TR 95, 96, - 2 PC	65" x 27"	90	SHI ACH1430
BOTTOM SIEVE	TR 95, 96 - 2 PC	50" x 27"	54	SHI BS1430
AIRFOIL CHAFFER	TR 95, 96, 97, 98 - 1 PC	64" x 54"	71	CYL CH1435
ADJUSTABLE CHAFFER	TR 95, 96, 97, 98 - 1 PC	64" x 54"	75	SHI ACH1435
BOTTOM SIEVE	TR 95, 96, 97, 98 - 1 PC	50" x 54"	60	SHI BS1435
AIRFOIL CHAFFER	TX 36/66/68, CX 840 - 2 PC	59" x 31"	70	CYL CH1440
ADJUSTABLE CHAFFER	TX 36/66/68, CX 840 - 2 PC	59" x 31"	85	SHI ACH1440
BOTTOM SIEVE	TX 36, 66, 68 - 2 PC	59" x 31"	90	SHI BS1440

**FITS FORD / NEW HOLLAND**

**Harvest Sieve Replacement Parts**

DESCRIPTION		PART NO.
LOUVER FOR TOP ADJUSTABLE SIEVE	PLEASE SPECIFY LENGTH NEEDED WHEN ORDERING	SHI ACHCPLASTIC
LOUVER FOR BOTTOM ADJUSTABLE SIEVE	PLEASE SPECIFY LENGTH NEEDED WHEN ORDERING	SHI BSCPLASTIC
CONNECTOR FOR SIEVES		SHI PLCONNECTOR
CRANK FOR SIEVES		SHI PLCRANK
END PINS FOR SIEVES		SHI PLENDCAP
ADJUSTMENT HANDLE FOR SIEVES	OLD STYLE (PRE 03)	CYL HANDLE
ADJUSTMENT HANDLE FOR SIEVES	NEW STYLE (03)	CYL HANDLE 03

**Ripple Tins, Dividers and Deflectors**



**RIPPLE TINS**

Use on front of Airfoil Chaffer when combining small seeded crops & when spearing is a problem.



**DIVIDERS**

Mount on the chaffer to provide a more even distribution on the chaffer.



**DEFLECTORS**

Keep the grain off the side rails.

DESCRIPTION	WT	PART NO.
ORDER RIPPLE TINS USING THE CHAFFER STOCK NUMBER SUBSTITUTING RT FOR CH	5	RIPPLE TINS
	4	DIVIDERS
	2	DEFLECTORS

**Straw Chopper Blades**

Hardened steel chopper blades - Set includes hardware.

As part of the normal repair process, the entire drum should be dynamically balanced after the installation of new blade kits.

APPLICATION	DESCRIPTION	PART NUMBER
TR70, TR75, TR85	New Straw Chopper Blades Set of 3 w/hardware	CYL WP71310275



**Hydraulic Pumps, Combine**

APPLICATION	DESCRIPTION	PART NUMBER
TR75 (Prior S/N 403000), TR85 (Prior S/N 310400)	Hydraulic Pump Id # 24532-RAE	CYL WP638037



## FITS FORD / NEW HOLLAND

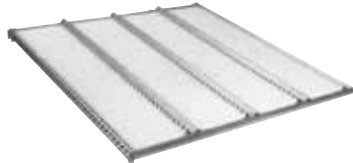
### Gateway Sieves - Aluminum Frame, Plastic Finger Adjustable Sieves and Chaffers

#### Aluminum Frame - Plastic Fingers

- Lightweight - up to 50% lighter than OEM
- Rustproof
- Less chaff buildup
- Improved grain cleaning - plastic teeth offer less resistance and work well with both small grain and high yield corn
- Infinitely adjustable slats featuring easy to use adjustment handles
- Available in 2 row-to-row spacing widths:
  - wide (45 mm) for corn and soybeans
  - narrow (33 mm) for smaller cereal grains
- Easy to repair



HCC, inc.



#### Tooth Design

- $\frac{3}{8}$ " short tooth (ST)
- $\frac{7}{8}$ " long tooth (LT)
- Standard chaffer offered with long tooth and can replace a deep tooth (1- $\frac{1}{4}$ " slat



GATEWAY SIEVES

#### Modular Construction

- Allows easy and cost-effective repair
- All components are replaceable
- Slat connectors allow precise adjustment - infinite angles and optimal cleaning performance

#### Optional Divider Riser Kit

- For side hill conditions
- 002641 kit mounts to existing risers
- Each kit comes with 12 clips and 24 rivets (divider risers not included)

#### CR970-980-AFX 8010, Requires two (side by side)

Description	Replaces OEM #	Frame Size	Wt.	Panels Rep#/Orig#	Adjusters Rep#/Orig#	Row-to-Row	Tooth	Part No.
Top Chaffer 8010 45LT - 2P	87109838	30.96 x 56.93	28	2/3	1/1	45mm (1- $\frac{5}{8}$ "	long	SHI 002622
Top Chaffer 8010 33LT - 2P	87109830	30.96 x 56.93	29	2/3	2/1	33mm (1- $\frac{1}{8}$ "	long	SHI 002623
Bottom Sieve 8010 33ST - 2P	87109846	30.96 x 56.93	27	2/3	1/1	33mm (1- $\frac{1}{8}$ "	short	SHI 002621
Bottom Sieve 8010 33LT - 2P	87109850	30.96 x 56.93	27	2/3	1/1	33mm (1- $\frac{1}{8}$ "	long	SHI 002624

#### CR920-940-960

Description	Replaces OEM #	Frame Size	Wt.	Panels Rep#/Orig#	Adjusters Rep#/Orig#	Row-to-Row	Tooth	Part No.
Top Chaffer CR960 45LT - 4P	87109832	51.89 x 56.93	53	4/5	2/2	45mm (1- $\frac{5}{8}$ "	long	SHI 002627
Top Chaffer CR960 33LT - 4P	87109828	51.89 x 56.93	57	4/5	2/2	33mm (1- $\frac{1}{8}$ "	long	SHI 002628
Bottom Sieve CR960 33ST - 4P	87109844	51.89 x 56.93	55	4/5	1/1	33mm (1- $\frac{1}{8}$ "	short	SHI 002626
Bottom Sieve CR960 33LT - 4P	87109848	51.89 x 56.93	55	4/5	1/1	33mm (1- $\frac{1}{8}$ "	long	SHI 002629

#### NH TR 96

Description	Replaces OEM #	Frame Size	Wt.	Panels Rep#/Orig#	Adjusters Rep#/Orig#	Row-to-Row	Tooth	Part No.
Top Chaffer TR 96 45LT - 4P	856699	53.94 x 47.88	45	4/5	2/2	45mm (1- $\frac{5}{8}$ "	long	SHI 002632
Top Chaffer TR 96 33LT - 4P	771086	53.94 x 47.88	47	4/5	1/1	33mm (1- $\frac{1}{8}$ "	long	SHI 002633
Bottom Sieve TR 96 33ST - 4P	771089	53.94 x 47.88	47	4/5	1/1	33mm (1- $\frac{1}{8}$ "	short	SHI 002631
Bottom Sieve TR 96 33LT - 4P	N/A	53.94 x 47.88	47	4/5	1/1	33mm (1- $\frac{1}{8}$ "	long	SHI 002634

#### NH TR 96 Extension

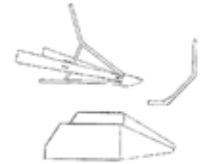
Description	Replaces OEM #	Frame Size	Wt.	Panels Rep#/Orig#	Adjusters Rep#/Orig#	Row-to-Row	Tooth	Part No.
Top Chaffer Ext. TR 96 33LT - 4P	771088	53.94 x 15.62	26	4/5	1/1	33mm (1- $\frac{1}{8}$ "	long	SHI 002635

## FITS FORD / NEW HOLLAND

### Short/Long Row Crop Dividers

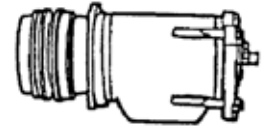
Eliminate costly grain loss from knocked down plants. Change from Short to Long Dividers in minutes. Safer transportation. Easy storage. Sectional design allows you to replace only the damaged piece saving you money.

APPLICATION	DESCRIPTION	PART NUMBER
972 Series Flex Heads	New Complete Set of Dividers Components: Rear Divider (Sheet Metal) 1 Rear Divider (Sheet Metal) 1 Bar 2 New Short Divider Tip 2	Short CYL WPSCD100FD-RH  CYL WPSCD100FD-RH CYL WPSCD100FD-LH CYL WPSCD300 CYL WPSCD250
972 Flex Heads	New Complete Set of Dividers Components: Rear Divider (Sheet Metal) 1 Rear Divider (Sheet Metal) 1 Bar 2 Front Wing Divider 2	Long CYL WPSCD400FD  CYL WPSCD100FD-RH CYL WPSCD100FD-LH CYL WPSCD300 CYL WPSCD200
972 Flex Heads	New Short Divider Tip	CYL WPSCD250



### Air Conditioners and Components - Combine

APPLICATION	DESCRIPTION	PART NUMBER
TR75, TR85, TR95	Expansion Valve O-Ring Replaces: 274571	CYL WPX10145



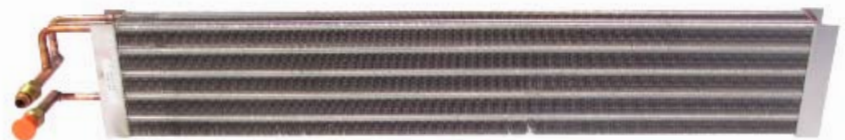
### Combine Evaporator Application Guide

MODEL	OEM NO.	NOTES	PART NO.
TR86	627257	7/01/94 thru 3/31/94	TRP 590-6065
TR87	627257	3/01/94 & After	TRP 590-6065
TR88	627257	7/01/96 & After	TRP 590-6065
TR96	627257	7/01/84 thru 3/31/94	TRP 590-6065
TR97	627257	3/01/94 & After	TRP 590-6065
TR98	627257	1/01/96 & After	TRP 590-6065

### Combine Evaporator Illustration Guide

1068, 1069, 1075, 1078, 1079-Late, 1085, 1089-Late, 1095-Late, 8500-Late, TR86, TR87-Late, TR88-Late, TR96, TR97-Late, TR98-Late, 1116, 1118, 2450-Late, 2550-Late

**OEM# 627257**

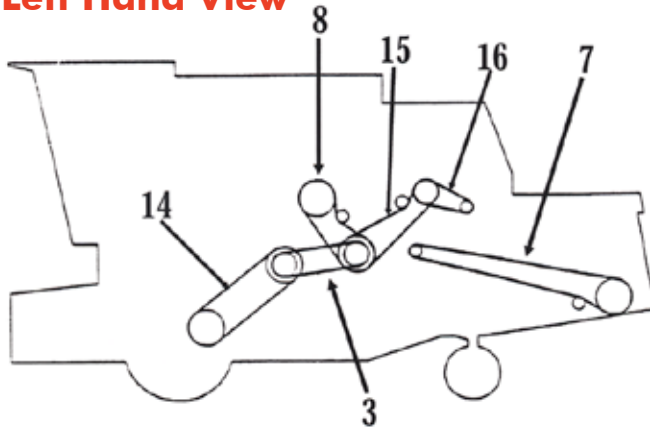




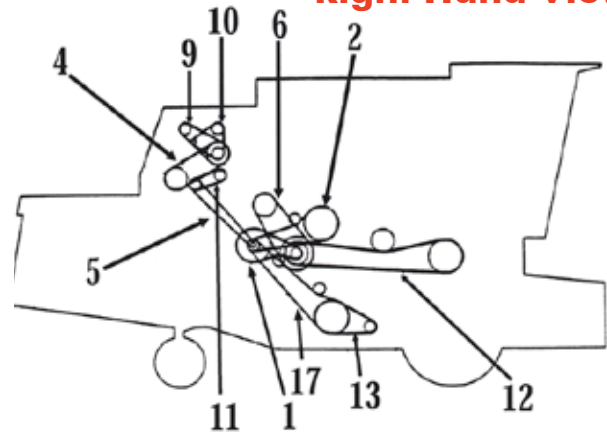
# FITS FORD / NEW HOLLAND

## Belt - TR70

### Left Hand View



### Right Hand View



Q Power® Belts, when you can't stop, you need the belt that won't stop. American made Q Power® Belts belts are designed to keep you and your equipment in the field. No matter what the crop... beans to corn, no matter what the conditions ... muddy to dry. Q Power® Belts keeps you running. No other belt can stand up to the demand of your equipment and your schedule better than Q Power® Belts.

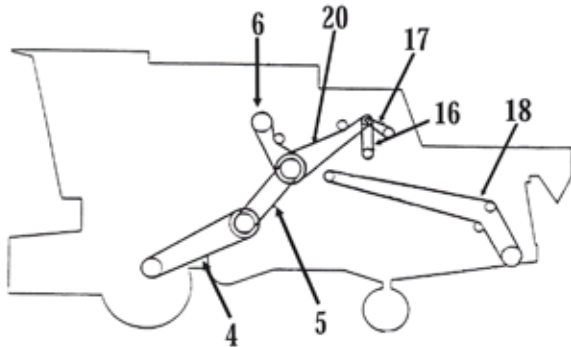
NUMBER	APPLICATION	DESCRIPTION	PART NUMBER
1	TR70	Beater Drive	BEV C73
2	TR70	Grain Elevator Drive	BEV C92
3	TR70	Ground Speed Vari-Drive	BEL HM90.2
4	TR70	Hydraulic Pump drive (Ford Dsl Eng)	BEV B67 (2 required)
4	TR70	Hydraulic Pump drive (Gas & Cat Diesel)	BEV B65 (2 required)
5	TR70	Rotary Screen, Jackshaft Drive	BEV A69
6	TR70	Rotor Drive	BEL HM93
6	TR70	Rotor Drive (Opt for High Speed)	BEV QP715785
7	TR70 (Prior S/N 299959)	Straw Spreader	BEV B187
7	TR70 (Eff S/N 299960)	Straw Spreader	BEV B195
7	TR70 (Prior S/N 300588)	Straw Chopper Drive	BEV B168
7	TR70 (Eff S/N 300589)	Straw Chopper Drive	BEV B187
8	TR70	Unloading Auger Drive	BEV C108
9	TR70	Governor (Gas Engine)	BEV A49
10	TR70	Fan & Alternator (Gas)	CYL WP86514610
10	TR70 (Prior S/N 293492)	Fan & Alternator (Cat Diesel)	BEV A49 (2 required)
10	TR70 (Eff S/N 293493)	Fan & Alternator (Cat Diesel)	BEV A53 (2 required)
10	TR70	Fan & Alternator (Ford Diesel)	BEV A45 (2 required)
11	TR70	Rotary Screen Drive	CYL WP696719
12	TR70	Header Drive	BEV D162
13	TR70	Cleaning Fan Drive	CYL WP792809
14	TR70	Ground Speed, Hydro Drive	BEV 2RB124
14	TR70	Ground Speed, Vari Drive	CYL WP636645
15	TR70	Main Drive, Power Band (Gas & Cat Dsl)	BEV QP246978
15	TR70	Main Drive, Power Band (Ford Diesel)	BEV 4RB128
16	TR70	Air Conditioner (Gas & Cat Diesel)	CYL WP264557
16	TR70	Air Conditioner (Ford Diesel)	BEV A52



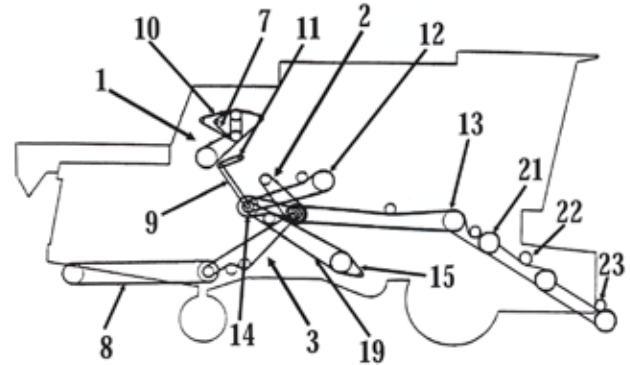
**FITS FORD / NEW HOLLAND**

**Belt - TR75, TR85**

**Left Hand View**



**Right Hand View**



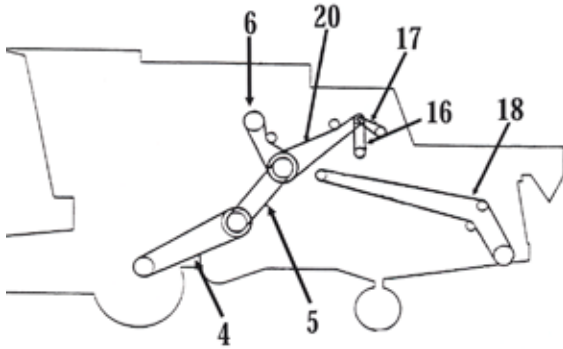
NUMBER	APPLICATION	DESCRIPTION	
1	TR75	Hydraulic Pump Drive (Ford)	BEV B67 (2 required)
1	TR75	Hydraulic Pump Drive (w/Cat)	BEV B65 (2 required)
2	TR75, TR85	Rotary Vari-Drive	BEL HM90.2
2	TR75 (Prior S/N 304699), TR85 (Prior S/N 307999)	Rotary Vari-Drive, High Speed Rotor	CYL WP86518571
2	TR75 (Eff S/N 304700), TR85 (Eff S/N 308000)	Rotor Vari-Drive, Standard Rotor	CYL WP86518570
3	TR75, TR85	Straw Chopper, Front	BEV C112
4	TR75, TR85	Traction Hydro Drive, Lower	BEV C118 (3 required)
4	TR75 (S/N 304740-403000), TR85 (S/N 308086-310400)	Traction Hydro Drive, Lower	BEV C120 (3 required)
4	TR75, TR85	Traction Hydro Drive, Lower	CYL WP636645
5	TR75 (Prior S/N 403000), TR85 (Prior S/N 310400)	Traction Hydrostatic Drive, Upper	BEV C92 (3 required)
5	TR75 (Prior S/N 304739), TR85 (Prior S/N 308085)	New Standard Traction, Vari-Drive, Upper	BEL HM90.2
5	TR75 (Eff S/N 304740), TR85 (Eff S/N 308086)	New Standard Traction, Vari-Drive, Upper	BEL HM93
6	TR75, TR85	Unloading Auger Drive	CYL WP247782
7	TR75, TR85	Engine Fan (Ford)	CYL WP772654
7	TR75, TR85	Engine Fan (w/cat)	CYL WP647901
8	TR75, TR85	Straw Chopper, Rear	BEV C158
9	TR75, TR85	Rotary Screen, Lower 68.3"	BEV A66
9	TR75, TR85	Rotary Screen, Lower 65.75"	BEV AX64
10	TR75 (Prior S/N 403000)	Waterpump & Alternator	CYL WP772656
11	TR75, TR85	Rotary Screen, Upper	BEV BB45
12	TR75, TR85	Clean Grain Elevator Drive	BEV C92
13	TR75 (Prior S/N 403276), TR85 (Prior S/N 404264)	Header Drive, 167" - 9/32"	BEV D162
13	TR75 (Eff S/N 403301), TR85 (Eff S/N 404301)	Header Drive, 193"	BEV QP682008
14	TR75, TR85	Discharge Beater	BEV C73
15	TR75, TR85	Cleaning Fan, Vari-Drive 58" Standard	CYL WP792809
15	TR75, TR85	Cleaning Fan, Vari-Drive 46" slow-Down	BEL HI46
16	TR75 (Prior S/N 403000), TR85 (Prior S/N 310400)	Hydrostatic Charge Pump	BEV B65



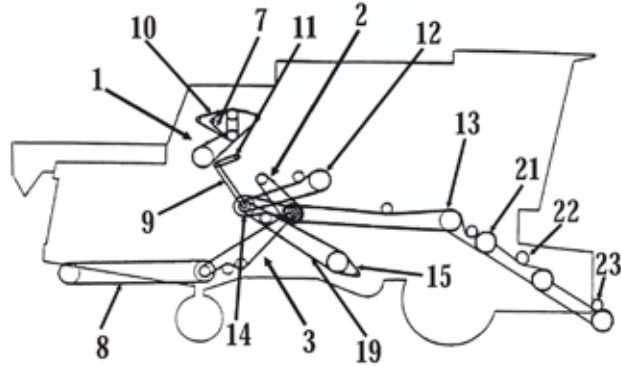
# FITS FORD / NEW HOLLAND

## Belt - TR75, TR85 (con't)

### Left Hand View



### Right Hand View



NUMBER	APPLICATION	DESCRIPTION	PART NUMBER
17	TR75 (Prior S/N 403000), TR85 (Prior S/N 310400)	Air Compressor, 54.5"	BEV A52
17	TR75 (Prior S/N 403000), TR85 (Prior S/N 310400)	Air Compressor, 52.75"	BEV A51
17	TR75 (Eff S/N 403001), TR85 (Eff S/N 310401)	Air Compressor, 48"	BEV A46
18	TR75, TR85	Straw Spreader Drive	BEV B195
18	TR75, TR85	Straw Chopper Drive	BEV B187
19	TR75, TR85	Shaker Shoe Drive	CYL WP785415
20	TR75 (Prior S/N 403000)	Main Shaft Drive	BEV 4RB128
20	TR85 (Prior S/N 403000)	Main Shaft Drive	BEV QP246978
20	TR75 (Eff S/N 403001), TR85 (Eff S/N 403001)	Main Shaft Drive, Standard Traction	CYL WP795009
21	TR75 (Prior S/N 403276), TR8T (Prior S/N 404301)	Feeder Drive	BEV 5V710 (2 required)
22	TR75 (S/N 304740- 403725) TR85 (308000-404264)	Fixed Speed Feeder Drive	BEV C116 (2 required)
22	TR75 (Eff S/N 403301), TR85 (Eff S/N 404301), TR75 (S/N 304740- 403725), TR85 (S/N 308000-404264)	Variable Speed Feeder Drive	CYL WP849514

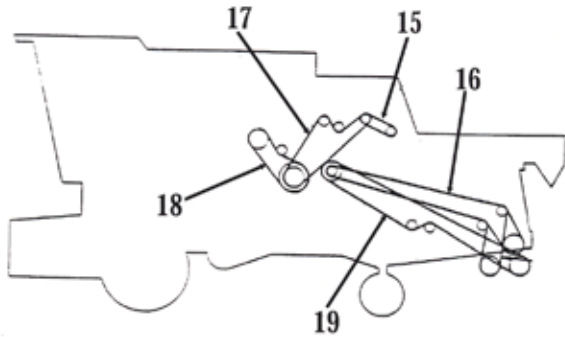


Q Power® Belts, when you can't stop, you need the belt that won't stop. American made Q Power® Belts belts are designed to keep you and your equipment in the field. No matter what the crop... beans to corn, no matter what the conditions ... muddy to dry. Q Power® Belts keeps you running. No other belt can stand up to the demand of your equipment and your schedule better than Q Power® Belts.

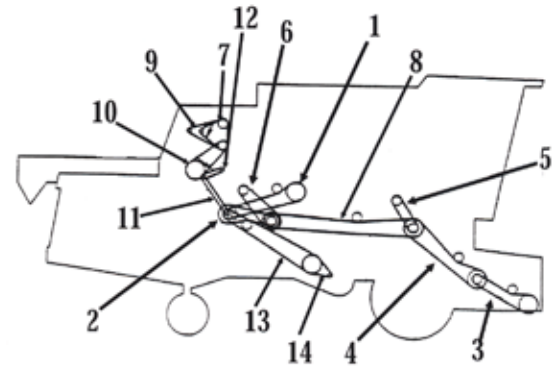
**FITS FORD / NEW HOLLAND**

**Belt - TR86**

**Left Hand View**



**Right Hand View**



NUMBER	APPLICATION	DESCRIPTION	PART NUMBER
1	TR86	Clean Grain Elevator Drive	BEV C92
2	TR86	Discharge Beater Drive	CYL WP86520043
3	TR86	Feeder Drive	BEV QP699268
4	TR86	Fixed Speed Feeder Drive	BEV C116 (2 required)
4	TR86	Small Grain Special	CYL WP9613963
4	TR86	Vari-Speed Feeder	CYL WP849514
5	TR86	Hydraulic Reel Drive Pump Drive	BEV B61
6	TR86	Rotor Vari-Drive, Standard	CYL WP86518570
6	TR86	Rotor Vari-Drive, High Speed	CYL WP86518571
7	TR86 (Prior S/N 527530)	Engine Fan (Set of 2)	CYL WP647901
8	TR86	Header Drive	BEV QP682008
9	TR86 (Prior S/N 527530)	Alternator (Set of 2)	BEV A53 (2 required)
14	TR86 (Eff S/N 527531)	Alternator (Set of 2)	CYL WP849514
10	TR86 (Prior S/N 527530)	Hydraulic Pump (Set of 2)	BEV B65 (2 required)
11	TR86 (Prior S/N 527530)	Rotary Screen Drive, Primary	BEV AX64
11	TR86 (Eff S/N 527531)	Rotary Screen Drive, Primary	BEV A66
12	TR86	Rotary Screen Secondary	BEV BB45
13	TR86	Shaker Shoe Drive	CYL WP785415
14	TR86	Cleaning Fan, Vari-Drive 58" Standard	CYL WP792809
14	TR86	Cleaning Fan, Vari-Drive 52" Slow-Down	BEL HI46
14	TR86 (Prior S/N 527631)	Air Conditioner Compressor	BEV A46
15	TR86 (S/N 527631-529659)	Air Conditioner Compressor	BEV A52
16	TR86	Straw Spreader Drive	BEV B195
17	TR86 (Prior S/N 527530)	Main Shaft Drive Hydrostatic	CYL WP788803
18	TR86	Unloading Auger Drive	CYL WP694982
19	TR86	Straw Chopper Drive	CYL WP86547070

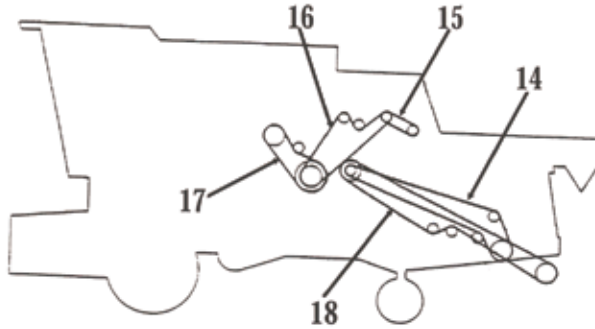


Q Power® Belts, when you can't stop, you need the belt that won't stop. American made Q Power® Belts belts are designed to keep you and your equipment in the field. No matter what the crop... beans to corn, no matter what the conditions ... muddy to dry. Q Power® Belts keeps you running. No other belt can stand up to the demand of your equipment and your schedule better than Q Power® Belts.

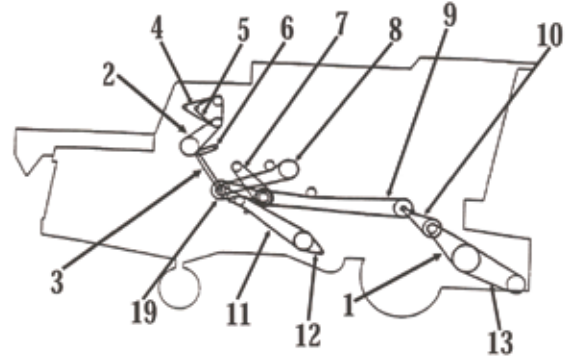
# FITS FORD / NEW HOLLAND

## Belt - TR95

### Left Hand View



### Right Hand View



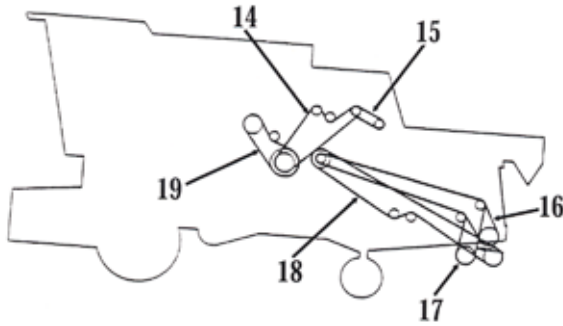
NUMBER	APPLICATION	DESCRIPTION	PART NUMBER
1	TR95	Fixed Speed Feeder	BEV C116 (2 required)
1	TR95	Vari Speed Feeder	CYL WP849514
2	TR95	Hydraulic Pump	BEV B75 (2 required)
3	TR95	Rotary Screen Drive	BEV A71
4	TR95	Alternator Waterpump Drive	BEV A53 (2 required)
5	TR95	Engine Fan Drive	CYL WP768340
6	TR95	Rotary Screen Secondary Drive	BEV BB45
7	TR95 (Prior S/N 501850)	Rotor Drive	CYL WP787583
7	TR95 (Eff S/N 501851)	Rotor Drive	BEV QP86518568
7	TR95 (Prior S/N 500200)	Rotor Drive	BEV QP86518569
8	TR95	Clean Grain Elevator Drive	BEV C95
9	TR95	Header Drive	BEV D162
10	TR95	Feeder Drive (Set of 3)	BEV 5V710 (3 required)
11	TR95	Shaker Shoe Drive	CYL WP774747
12	TR95	Cleaning Fan, Vari-Drive	CYL WP792811
12	TR95	Cleaning Fan, Vari-Drive w/Int. Spd Kit	CYL WP773300
12	TR95	Cleaning Fan, Vari-Drive w/Slow Down	CYL WP710752
13	TR95	Stoneroll Drive (Set of 5)	BEV 5V800
14	TR95	Straw Chopper Beater Drive	BEV B195
15	TR95 (Prior S/N 500200)	Air Conditioner Compressor 52.75"	BEV A51
15	TR95 (Eff S/N 500201)	Air Conditioner Compressor 48"	BEV A46
16	TR95 (Prior S/N 501850)	Main Shaft & Hydrostatic Pump Drive	CYL WP795008
17	TR95	Unloading Auger Drive	CYL WP86514256
18	TR95	Straw Spreader	BEV B224



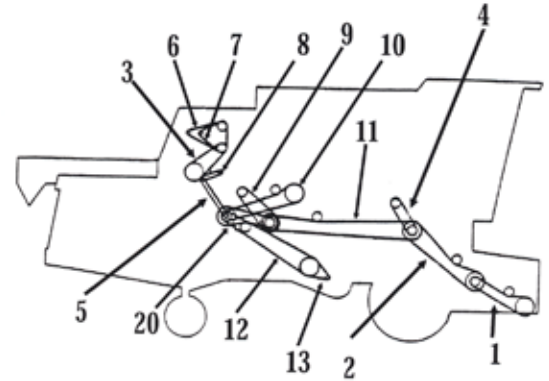
**FITS FORD / NEW HOLLAND**

**Belt - TR96**

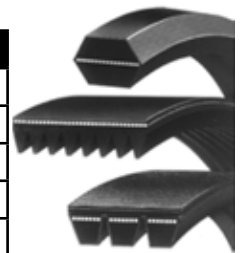
**Left Hand View**



**Right Hand View**



NUMBER	APPLICATION	DESCRIPTION	PART NUMBER
1	TR96	Feeder Drive	BEV QP699268
2	TR96 (Prior S/N 529778)	Fixed Speed Feeder Drive	CYL WP621367
2	TR96	Small Grain Special, 3HB	CYL WP9613963
2	TR96 (Prior S/N 528560)	Vari-Speed Feeder Drive	CYL WP849514
2	TR96 (Eff S/N 528561)	Vari-Speed Feeder Drive	CYL WP9601511
3	TR96	Hydraulic Pump	BEV B75 (2 required)
3	TR96 (Prior S/N 528155)	Engine Fan	CYL WP768340
4	TR96	Hydraulic Pump Drive	BEV B61
5	TR96	Rotary Sreen Drive Primary	BEV A71
5	TR96 (Eff S/N 528156)	Rotary Screen Drive Primary	CYL WP859063
6	TR96 (Prior S/N 528150)	Alternator, (Set of 2)	BEV A53 (2 required)
6	TR96 (S/N 528156 & 530065)	Alternator, (Set of 2)	BEV A41 (2 required)
6	TR96 (Eff S/N 530066)	Alternator, (Set of 2)	CYL WP626657
7	TR96 (Eff S/N 528156)	Waterpump Drive	CYL WP592711
8	TR96 (Prior S/N 528155)	Rotary Screen Secondary	BEV BB45
9	TR96	Rotor, Vari-Drive, Standard	BEV QP86518568
09	TR96	Rotor, Vari-Drive, High Speed	BEV QP86518569
10	TR96	Clean Grain Elevator Drive	BEV C95
10	TR96	Clean Grain Eleator Drive (Improved)	CYL WP9604713
11	TR96	Header Drive	BEV QP682008
12	TR96	Shaker Shoe Drive	CYL WP774747
13	TR96	Clean Fan, Vari-Drive 61.6" Int. Speed	CYL WP773300
13	TR96	Clean Fan, Vari-Drive 52", Slow-Down	CYL WP10752
13	TR96	Clean Fan, Vari-drive 69.5" High Speed	CYL WP792811
14	TR96 (Eff S/N 529778)	Main Shaft Drive, Hydrostatic	BEV QP797979
15	TR96 (Prior S/N 529778)	Air Conditioner Compressor	BEV A46
15	TR96 (Eff S/N 529779)	Air Conditioner Compressor	CYL WP626657
16	TR96	Straw Spreader Drive	BEV B224
17	TR96	Straw Chopper, Infeed Drum Drive	BEV B195
18	TR96	Straw Chopper Drive	CYL WP86547070
19	TR96	Unloading Auger Drive	CYL WP86514256

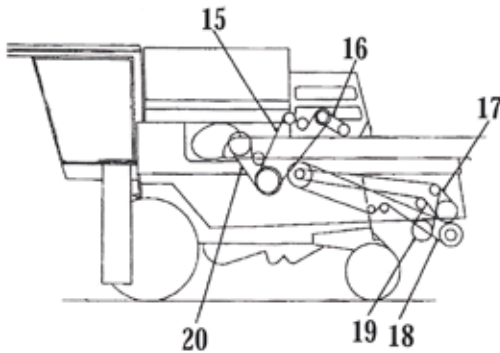




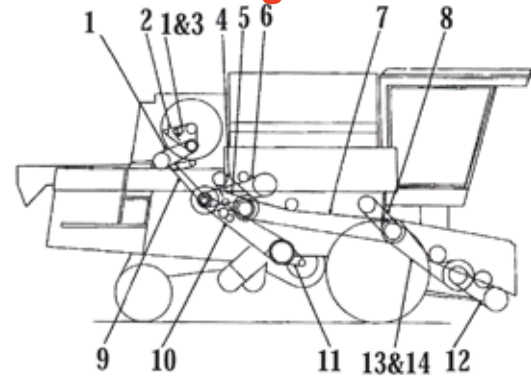
# FITS FORD / NEW HOLLAND

## Belt - TR97, TR98

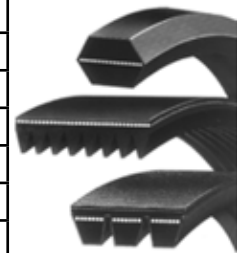
### Left Hand View



### Right Hand View



NUMBER	APPLICATION	DESCRIPTION	PART NUMBER
1	TR98	Hydraulic Pump, (Setof 2)	CYL WP773255
2	TR97	Alternator, (Set of 2)	BEV A41 (2 required)
2	TR98	Alternator	CYL WP86513664
3	TR98	Waterpump Drive	CYL WP9672216
3	TR97	Waterpump Drive (Ford)	CYL WP592711
4	TR97	Rotor, Vari-Drive, Standard	BEV QP86518568
4	TR97	Rotor, Vari-Drive, High Speed	BEV QP86518569
5	TR97	Discharge Beater	CYL WP86520042
6	TR97, TR98	Clean Grain Elevator Drive	BEV C95
6	TR97, TR98	Clean Grain Elevator Drive Improved	CYL WP9604713
7	TR97	Header Drive	BEV QP682008
7	TR98	Header Drive	CYL WP86503087
8	TR97, TR98	Hydraulic Reel Drive Pump	CYL WP9609607
9	TR97, TR98	Rotary Screen Drive, Primary	CYL WP859063
10	TR97, TR98	Shaker Shoe Drive	CYL WP774747
11	TR97, TR98	Clean Fan, Vari-Drive 61.6" Int. Speed	CYL WP773300
11	TR97, TR98	Clean Fan, Vari-Drive 52" Slow-Down	CYL WP710752
11	TR97, TR98	Clean Fan, Vari-Drive 69.5", High Speed	CYL WP792811
12	TR97, TR98	Feeder, Drive, Banded	BEV QP699268
13	TR97	Fixed Speed Feeder, (Set of 2)	BEV C116 (2 required)
13	TR98	Fixed Speed Feeder	CYL WP9613963
14	TR97, TR98	Vari-Speed Feeder	CYL WP9601511
15	TR97	Main Shaft Drive, Hydrostatic, Banded	BEV QP797979
16	TR97	Air Conditioner Compressor	CYL WP626657
16	TR98	Air Conditioner Compressor	BEV A52
17	TR97, TR98	Straw Spreader Drive	BEV B224
18	TR97, TR98	Straw Chopper Drive	CYL WP86547070
19	TR97, TR98	Straw Chopper, Infeed Drum Drive	BEV B195
20	TR97, TR98	Uploading Auger Drive	CYL WP86514256



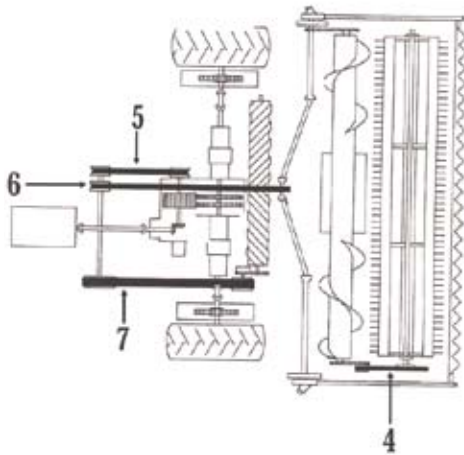
Q Power® Belts, when you can't stop, you need the belt that won't stop. American made Q Power® Belts are designed to keep you and your equipment in the field. No matter what the crop... beans to corn, no matter what the conditions ... muddy to dry. Q Power® Belts keeps you running. No other belt can stand up to the demand of your equipment and your schedule better than Q Power® Belts.



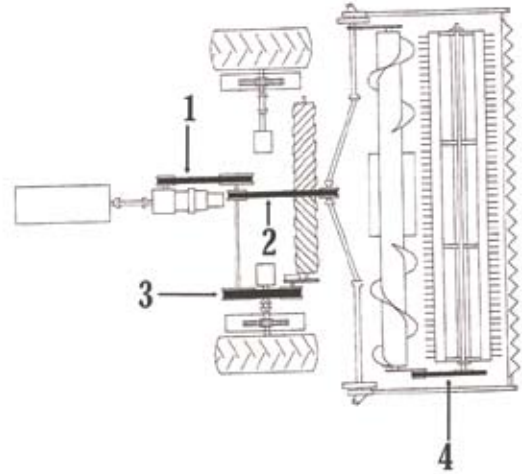
**FITS FORD / NEW HOLLAND**

**Belt - Swather**

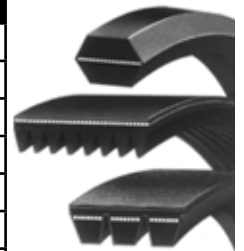
**Swather 1112, 1114**



**Swather 1116, 1118**



NUMBER	APPLICATION	DESCRIPTION	PART NUMBER
1	1116, 1118	Header Clutch 3 Groove	BEV QP189131
2	1116, 1118	Header 2 Groove	BEV 2RB93
3	1116, 1118	Conditioner	BEV QP625241
4	1112, 1114, 1116, 1118	Reel	CYL WP9622032
5	1112, 1114	Jackshaft 3 Band	BEV 3RB71
6	1112, 1114	Header Drive	BEV B96 (2 required)
7	1112, 1114	Condition Drive 4 Band	BEV QP625241
	2450, 2550	Sickle Drive & Auger	BEV C92
	2450, 2550	Conditioner	CYL WP86528541



## FITS GLEANER

### Combine Radiators

#### Tanks & Headers

Heavy ribbed brass tanks & headers to better increase the durability & life of the cooling system.

#### Side Channels

Heavy duty steel side channels soldered or welded to tank mean long life and added strength.

#### Design

Deep solder joints on tanks & headers mean thousands of hours of industrial service.

#### Tubes

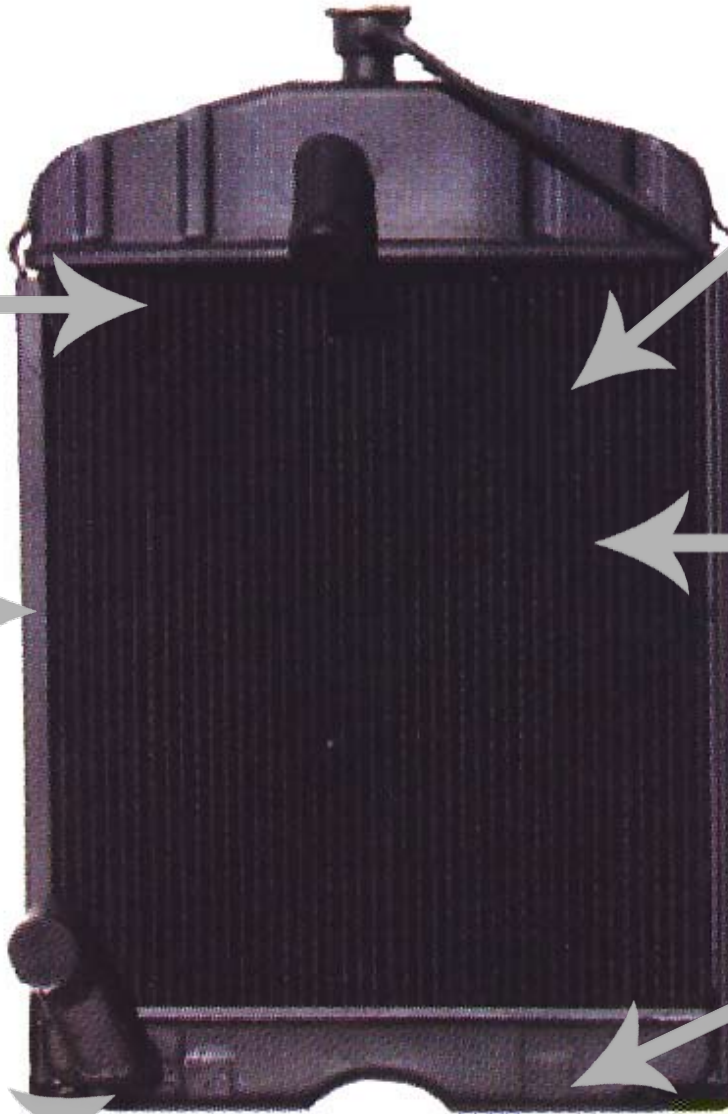
Heavy wall industrial coolant tubes avoid flex & failure, plus we use plenty of tubes for extra cooling.

#### Fins

Industrial strength fins, plus 100% fin to tube contact for extra cooling.

#### Oil Coolers (if applicable)

All our oil coolers are OEM design or better, you can't see the cooler because it's inside, so TRUST Northern for the right cooler!



**FITS GLEANER**

**Combine Radiator Application Guide**

MODEL	OEM NO.	PART NO.	RAD CAP NO.	NOTES
F	71190323	TRP CR9744	-	SN 9001 & After
F2	71190323	TRP CR9744	21-4	2800 6 cyl Diesel; SN 36201-51000
F2	71302772/7195483	TRP CR9742	21-4	Gas hydro/non-hydro; SN 39201 & After
F2	71340940	TRP CR9742	21-4	433i Diesel; SN 36201-51000
F3	71302772/71195483	TRP CR9742	21-4	Gas hydro/non-hydro; SN 39201 & After
F3	71340940	TRP CR9743	21-4	433i Diesel; SN 36201-51000
F3	71340940	TRP CR9743	21-4	Dsl. Hydro/non hydro; SN 51001 & After
F3	71190323	TRP CR9744	21-4	2800 2 cyl. Diesel; SN 36201-5100
K	71192598	TRP CR9749	-	SN 8201-24200
K2	71192598	TRP CR9749	21-4	Gas; SN 24201-27200
K2	71195485	TRP CR9745	21-4	Diesel; SN 24201-27200
L	71191992	TRP CR9747	-	2900 Diesel; Non hydro; SN 13000 & Before
L2	71191992	TRP CR9747	21-12	290 & 649; Non hydro; SN 13001 thru 28000
L2	71337907	TRP CR9746	21-12	649 Engine; SN 13001 thru 28000
L3	71191992	TRP CR9747	21-12	2900 & 649; Non hydro; SN 13001 thru 28000
L3	71337907	TRP CR9746	21-12	649 Engine; SN 13001 & After
M	71191992	TRP CR9747	-	Diesel; non hydro
M2	71337907	TRP CR9746	21-12	649 Engine; Hydro only; SN 15401-25900
M2	71191992	TRP CR9747	21-12	2900 & 649; Non hydro; SN 1540 thru 24700
M3	71337907	TRP CR9746	21-12	649 Engine; SN 25901 & After
M3	71337907	TRP CR9746	21-12	D2900 & 649 Engine; SN 24701 thru 25900
M3	71191992	TRP CR9747	21-12	2900 & 649; Non hydro; SN 1540 thru 24700

**Combine Radiator Illustration Guide**

**Gleaner Combine TRP CR9742**

F2, F3 Gas Combine

Overall: H-31 1/2" W-24 1/2"  
 Core: H-25 5/8" W-23 1/4", D-3 3/8"  
 Filler Neck Height-1 7/16"  
 Inlet-1 3/4", Outlet-1 3/4"  
 5 Row, 7 FPI

OEM# 71302772, 71195483



**Gleaner Combine TRP CR9743**

F2, F3 Diesel Combine

Overall: H-29" W-24 1/4"  
 Core: H-23 1/4" W-23 1/4", D-2 1/2"  
 Filler Neck Height-1"  
 Inlet-1 3/4", Outlet-1 3/4"  
 5 Row, 7 FPI

OEM# 71340940



# FITS GLEANER

## Combine Radiator Illustration Guide

### Gleaner Combine TRP CR9744

F, F2, F3 Diesel Combine

Overall: H-26<sup>1</sup>/<sub>8</sub>" W-24<sup>3</sup>/<sub>16</sub>"  
 Core: H-19<sup>5</sup>/<sub>8</sub>" W-23<sup>1</sup>/<sub>4</sub>" D-3<sup>1</sup>/<sub>4</sub>"  
 Filler Neck Height-3<sup>1</sup>/<sub>8</sub>"  
 Inlet-1<sup>3</sup>/<sub>4</sub>" Outlet-1<sup>3</sup>/<sub>4</sub>"  
 6 Row, 6 FPI

OEM# 71190323



### Gleaner Combine TRP CR9745

K2 Diesel Combine

Core: H-19<sup>7</sup>/<sub>8</sub>" W-24, D-2<sup>13</sup>/<sub>16</sub>"  
 6 FPI

OEM# 71195485



### Gleaner Combine TRP CR9746

L2, L3, M2, M3 Combine

Core: H-24" W-28<sup>1</sup>/<sub>2</sub>" D-4<sup>3</sup>/<sub>8</sub>"  
 6 Row, 6 FPI

OEM# 71337907



### Gleaner Combine TRP CR9747

L, L2, L3, M, M2, M3 Combines

Overall: H-28<sup>7</sup>/<sub>8</sub>" W-na  
 Core: H-23" W-24<sup>3</sup>/<sub>4</sub>" D-3<sup>1</sup>/<sub>2</sub>"  
 Filler Neck Height-<sup>3</sup>/<sub>4</sub>"  
 Inlet-1<sup>3</sup>/<sub>4</sub>" Outlet-1<sup>3</sup>/<sub>4</sub>"  
 5 Row, 6 FPI

OEM# 71191992



## Hydro Output Shafts

APPLICATION	DESCRIPTION	PART NUMBER
F2, F3, L, L2, M, M2, N5, N6	New Hydro Output Shaft, Fits Dynapower Units 11.250" Long 17 & 34 Spline	CYL WP71154856



## Rear Engine PTO Shafts

APPLICATION	DESCRIPTION	PART NUMBER
L2 (Eff S/N 13001) (w/ D3500 & 670T engines only)	New Rear Engine PTO Shaft 25.125" Lng w/10 Spline	CYL WP71190214
M, M3, L3, (w 2900 & 649T engines)	New Rear Engine PTO Shaft 18.687" Lng w/10 Spline)	CYL WP71192723



## Input Drive Shafts

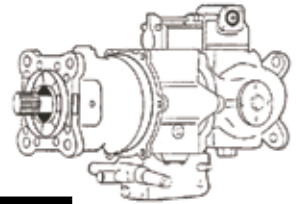
APPLICATION	DESCRIPTION	PART NUMBER
E, E3, F, K, K2	New Input Drive Shaft This shaft does not have splines	CYL WP71131341



## FITS GLEANER

### Hydrostat Transmissions - Combine

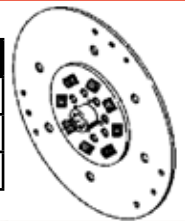
Sauer/Sundstrand, Eaton, and Dynapower are a few of the major brands of Combine Hydrostats we stock. Our hydrostats are remanufactured by a nationally known remanufacturer that has been recognized as a "Remanufacturing Facility" by Sauer/Sundstrand. All units are assembled from scratch by a factory trained technician, utilizing GENUINE remanufactured and replacement parts. All units are fully tested to factory specification assuring you of the highest quality and maximum performance.



APPLICATION	DESCRIPTION	PART NUMBER
F2, L, M	Remanufactured Hydrostat, Dynapower 4X6	CYL WPH4x6
F3, L, L2, M, M2, N5, N6	Remanufactured Hydrostat, Dynapower 6x6	CYL WPH6x6
N7	Remanufactured Hydrostat, Denison Mark 1	CYL WPHMK1
L2, L3, M2, M3, N5, N6	Remanufactured Hydrostat, Denison Mark 10	CYL WPHMK10
N6, N7	Remanufactured Hydrostat, Denison Mark 9	CYL WPHMK9
L3, M3, N5, N6, N7, R5, R6, R7	Remanufactured Hydrostat, Denison Mark 10A	CYL WPHMK10A
L3, M3, N5, N6, N7, R5, R6, R7	Remanufactured Hydrostat, Denison Mark 10B	CYL WPHMK10B
R40, R50	Remanufactured Hydrostat, Sunstrand Back to Back	CYL WPH50S

### Damper Plates - Rear

APPLICATION	DESCRIPTION	PART NUMBER
F, F2, F3, G, L, L2, L3, M, M2, M3	New Engine Damper Plates, Rear D2900 (649 Series)	CYL WP71190940-N
L2, L3, M2, M3, N5, N6	New Engine Damper Plates, Rear D3500 (670 Series)	CYL WP71193764-N
N7	New Engine Damper Plates, Rear 685	CYL WP71318427-N



### Wheel Brake Discs

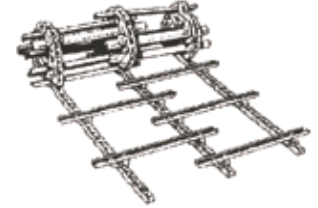
APPLICATION	DESCRIPTION	PART NUMBER
L (Eff. s/N 2601), L2 & L3 (S/N 13001-28000), M2 & M3 (S/N 15401-25900), N5, N6, N7	New Wheel Brake Disk	CYL WP71184195



## FITS GLEANER

### Feederhouse Chains

Our feederhouse chains utilize American Made chain with the slats mounted directly over the roller pins helping to eliminate stretching. The slats are bolted to the chain with  $\frac{3}{8}$ " grade 5 plated bolts and locknuts, for easy replacement. Chains feature full side plates and high strength steel for added strength. All Feederhouse chains are supplied with serrated slats every 4th link. Please ask your sales representative about availability and cost of different slats or chain if required for your application. To extend the life of your chain assemblies, always replace the sprockets when installing a new chain.



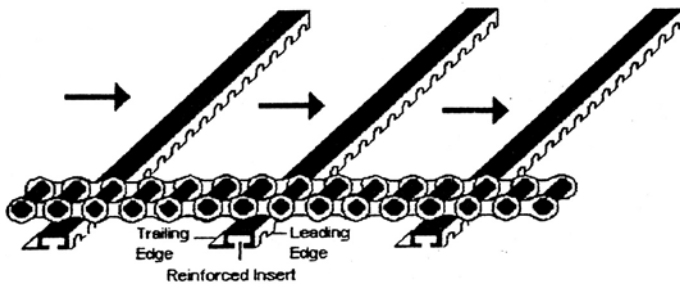
APPLICATION	DESCRIPTION	PART NUMBER
N & R Series, R60, R70	New Front Feederhouse Chain, 84 links - slat every 2nd & 4th link, 3 Chain - 550 Chain	CYL WP71149732
N & R Series, R60, R70	New Front Feederhouse Chain, 84 links - slat every 2nd & 4th link, 3 Chain - 557 Chain	CYL WP71149915L
R40, R50, R42 Prior S/N 45000, R52 Prior S/N 55000	New Front Feederhouse Chain, 85 links - slat every 6th link 2 Chain - 550 Chain	CYL WP28018
R42 Eff. S/N 45001, R52 Eff. S/N 55001	New Front Feederhouse Chain, 97 links - slat every 6th link, 2 Chain - 557 Chain	CYL WP71149938L
R62, R72	New Front Feederhouse Chain, 97 links - slat every 2nd & 4th link 3 Chain - 557 Chain	CYL WP71149958L
N & R Series, R60, R70	New Rear Separator Chain, 76 links - slat every 2nd & 4th link 3 chain - 550 Chain	CYL WP71149833
N & R Series, R60, R70	New Rear Separator Chain, 76 links - slat every 2nd & 4th link 3 Chain - 557 Chain	CYL WP71149911L
N & R Series	New Rear Separator Chain, 101 links - slat every 2nd & 4th link 3 Chain - 550 Chain	CYL WPX28024L
R40, R42, R50, R52	New Rear Separator Chain, 85 links - slat every 6th link 2 Chain - 550 Chain	CYL WP71149940L
R62 Prior S/N 63001, R72 Prior S/N 77001	New Rear Separator Chain, 96 links - slat every 2nd & 4th link 3 Chain - 550 Chain	CYL WP71149871L
R62, R72	New Rear Separator Chain, 89 links - slat every 2nd & 4th link 3 Chain	CYL WPX28029 (550 Chain) CYL WP71149960L (557 Chain)



# FITS GLEANER

## Harvest Plastic Slat Feeder Chains

- Designed to handle today's larger crops and specialty crops gently and efficiently.
- Lighter, easier on drive components
- Super tough nylon slat with spring steel insert is less abrasive than a steel slat to the feeder house.
- Improves feeding, runs quieter, and lasts longer
- Reduces maintenance costs to save you money



### CHAIN

- American made 557 chain not 550
- Heavier rollers and side links
- Outlasts

### SLAT

- Super tough reinforced nylon to maintain shape
- 5160 Spring steel heat treated insert
- Bolted, not riveted
- Slat design forces material into the cylinder
- **Leading Edge** is notched for better feeding
- **Trailing Edge** eliminates back feeding
- Slats every 4th link on center chain.

DESCRIPTION	NO. OF CHAINS	NO. OF LINKS	NO. OF SLATS	SLAT LENGTH	C-C	WT	PART NO.
GL N5/6/7, R5/6/7 LOWER FEEDER	3	84	22	20 15/16"	15 3/4"	124	SHI FC1565
GL N5/6/7, R5/6/7 UPPER SEPERATOR	3	76	19	20 15/16"	15 3/4"	112	SHI FC1566
GL R40/50 FRONT	2	84	11	26 1/2"	15 3/4"	83	SHI FC1569
GL R 40/50 REAR	2	86	11	26 1/2"	15 3/4"	83	SHI FC1570
GL R 62/72 LOWER FRONT	3	96	24	21"	15 3/4"	124	SHI FC1575
GL R62/72 UPPER REAR	3	86	22	21"	15 3/4"	120	SHI FC1576
GL C 62 LOWER FRONT	4	96	24	29 5/8"	19 3/8"	163	SHI FC1577
GLC 62 UPPER REAR	4	62	16	29 5/8"	19 3/8"	104	SHI FC1578

## Feederhouse Chain Sprockets

To extend the life of your chain assemblies, always replace the sprockets when installing a new chain.

APPLICATION	DESCRIPTION	PART NUMBER
N & R Series, R40 (Eff S/N 2001), R50 (Eff S/N 3501), R42, R52, R60, R70, R62, R72	New Feederhouse Chain Sprocket 13 Teeth, 1.5" Hex	CYL WP71357768 CYL WP71357768H (Hardened)
N & R Series*	New Feederhouse Chain Sprocket 13 Teeth, 1.5" hex Split Sprocket *must notch out anti-wrap shield to tighten screws.	CYL WP71332604S CYL WP71332604HS (Hardened)
R42 Eff. S/N 47001, R52 Eff. S/N 57001, R62 Eff. S/N 67001, R72 Eff. S/N 77001, C62 Prior S/N HL26101	New Feederhouse Chain Sprocket 13 teeth, 1.75" Hex	CYL WP71368861 CYL WP1368861H (Hardened)





## FITS GLEANER

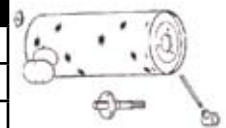
### Feederhouse Stub Shafts

APPLICATION	DESCRIPTION	PART NUMBER
F2, F3, L, L2, L3, M, M2, M3	New Feederhouse Stub Shaft, 5" Lng	CYL WP71325379
N5, N6, N7, R60, R70	New Feederhouse Stub Shaft, 9" Lng	CYL WP71325378



### Feederhouse Beater Parts - Misc

APPLICATION	DESCRIPTION	PART NUMBER
M Series	New Drum, Non-Floating	CYL WP1184787
L Series	New Drum, Non-Floating	CYL WP1184789
L & M Series	New Gudgeon Shaft, Splined	CYL WP71302369
	New Finger, 5/8", Fine Thread	CYL WP71195242
	New Finger Guide, Poly, Fine Thread	CYL WP71146965
	New Finger Guide, Steel	CYL WP71188840



### Raddle Chains

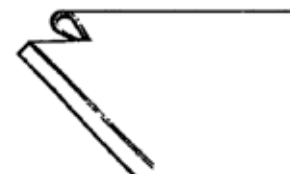
Our raddle chains are made of CA-550 chain and square steel tubing. Chains for hillside applications have special lugs attached to the steel slats to prevent grain sliding to the downhill side.

APPLICATION	DESCRIPTION	PART NUMBER
F	New Raddle Chain	CYL WP71309696
F	New Raddle Chain, Hillside	CYL WP71309696H
G	New Raddle Chain	CYL WP71183504
G	New Raddle Chain, Hillside	CYL WP71183504H
K	New Raddle Chain, Replaces: 71309696	CYL WP71309695
K	New Raddle Chain, Hillside	CYL WP71309695H
L	New Raddle Chain, Front Thresher	CYL WP1309700
L	New Raddle Chain, Front Thresher, Hillside	CYL WPFHFBG-L
L	New Raddle Chain, Rear Separator	CYL WP71309697
L	New Raddle Chain, Rear Separator, Hillside	CYL WP71309697HS
M	New Raddle Chain, Front Thresher	CYL WP71309699
M	New Raddle Chain, Front Thresher, Hillside	CYL WP1309699H
M	New Raddle Chain, Rear Separator	CYL WP71309698
M	New Raddle Chain, Rear Separator, Hillside	CYL WP71309698H



### Raddle Chain False Bottoms

APPLICATION	DESCRIPTION	PART NUMBER
L Series	New False Bottom, Heavy Duty 12 guage material is used, OEM's is made of 16 guage material. Replaces OE P/N 71154157	CYL WPFHFBG-L
M Series	New False Bottom, Replaces: 71158285	CYL WPFHFBG-M



# FITS GLEANER

## Raddle Chain Sprockets and Idlers

APPLICATION	DESCRIPTION	PART NUMBER
L & M Series	New Raddle Chain Sprocket, 7 Teeth, 1 1/4" round shaft, Replaces OE P/N 71332604	CYL WP1332604 CYL WP1332604H (Hardened)
G, L, M, F3 (Eff S/N 51001)	New Raddle Chain Idler	CYL WP71160426



## Hump Kits

The increased arc of the Hump Kit helps to prevent material build-up between the feeder chain and rotor. Also increases the door density to foreign objects. 1992 and newer.

APPLICATION	DESCRIPTION	PART NUMBER
R40, R42, R50, 52	New Hump Kit	CYL WP71366830
R60 Eff. S/N 16501, R62 Eff. S/N 67001, R70 Eff. S/N 12501, R72 Eff. S/N 77001	New Hump Kit	CYL WP71366837

## Cylinder Bars & Kits

All bars are carefully checked and sets are matched for equal weight distribution on the cylinder prior to shipment. Grade 8 Fasteners are supplied for most models.



APPLICATION	DESCRIPTION	PART NUMBER
F Series	New Rasp Bars	CYL WP71137592
G Series	New Rasp Bars	CYL WP71137591
L Series	New Rasp Bars	CYL WP71153145 (Standard) CYL WP71174798 (Chrome)
C & M Series	New Rasp Bars	CYL WP71124692
N5, N6, N7, R5, R6, R7, R60 (S/N 12701-16500), R70 (S/N 8701-12500)	New Thresher Bars	CYL WP71364873 (Standard) CYL WPOGL-N-1H (Hardened) CYL WP71355265 (Chrome)
N5, N6, N7, R5, R6, R7, R60 (S/N 12701-16500), R70 (S/N 8701-12500)	New Separator Bars	CYL WP71364874 (Standard) CYL WPOGL-N-2C (Chrome)
R40, R50, R42, R52, R60 (Eff S/N 16501), R70 (Eff S/N 12501), R62, R72	Forward Reverse Forward Reverse Narrow Spaced - 1/2" *Check Qty. required for application	CYL WP71367933 (Hardened) CYL WP71367934 (Hardened) CYL WP71371511 (Chrome) CYL WP71359344 (Chrome)
R40, R50, R42, R52, R60 (Eff S/N 16501), R70 (Eff S/N 12501), R62, R72	Forward Reverse Wide Spaced - 3/4" *Check Qty. required for application	CYL WPOGL-4050-WCL (Chrome) CYL WPOGL-4050-WCR (Chrome)

\*Suggested OEM Cylinder Bar Configurations P3 Processors

R40 & R50: 18 forward & 6 reverse for all crops.

R60 & R70: 24 forward & 8 reverse for all crops.

R42 & R52: 21 forward & 3 reverse for small grains. 22 Forward & 2 reverse for corn and beans.

R62 S/N < 17600 & R72 S/N < 13533: 24 forward & 8 reverse for small grain. 26 forward & 6 reverse for corn and beans.

R62 S/N 17600-> & R72 S/N 13533->: 28 forward & 4 reverse for small grain. 26 forward & 6 reverse for corn and beans.

## FITS GLEANER

### Sunnybrook Cylinder Bars & Kits (cont'd)

APPLICATION	DESCRIPTION	PART NUMBER
F, F2, F3 (OEM Cylinders)	Wide Space Bars (Complete Set), Black Wide Space Bar 2/set, Black	SHI SBA0460 SHI SBA0462
L, L2, L3 (OEM Cylinders)	STD Bars, Narrow (Complete Set), Black STD Bar, Narrow 2/set, Black Wide Space Bars (Complete Set), Black Wide Space Bar 2/set, Black	SHI SBA0240 SHI SBA0242 SHI SBA0280 SHI SBA0282
L, L2, L3 (High Inertia, Generation I Cylinders)	Special Bars (Complete Set), Black Special Bar Left, 2/set, Black Special Bar Right, 2/set, Black Special Bars (Complete Set), Boron Special Bar Right, 2/set, Chrome	SHI SBA0410 SHI SBA0412 SHI SBA0414 SHI SBA0266 SHI SBA0269
M, M2, M3, MH2, MH3 (OEM Cylinders)	STD Bars (Complete Set), Black STD Bar 2/set, Black Wide Space Bars (Complete Set), Black Wide Space Bar 2/set, Black	SHI SBA0280 SHI SBA0282 SHI SBA0470 SHI SBA0472
M, M2, M3, MH2, MH3 (High Inertia Generation I Cylinders)	Special Bars (Complete Set), Black Special Bar Left, 2/set, Black Special Bar Right, 2/set, Black	SHI SBA0430 SHI SBA0432 SHI SBA0434
N, N5, N6, N7, (OEM Cylinders)	Reg. Thresher Bars, P1 (Complete Set), Black Reg. Thresher Bar 2/set, P1, Black Reg. Separator Bars, P1 (Complete Set), Black Reg. Separator Bar 2/set, P1, Black Reg. Separator Bars, P1, (6 Forward, 2 Reverse), Black Reg. Thresher Bars, P1 (Complete Set), Boron Reg. Separator Bar 2/set, P1, Chrome Reg. Separator Bar 2/set, P1, Boron Reg. Separator Bars, P1 (Complete Set), Boron (6 Fwd, 2 Rvs) Reverse Bar, Reg. Separator 2/set, Black Reverse Bar, Reg. Separator 2/set, Chrome	SHI SBA0150 SHI SBA0152 SHI SBA0170 SHI SBA0172 SHI SBA0170R SHI SBA0116 SHI SBA0137 SHI SBA0138 SHI SBA0136R SHI SBA0600R SHI SBA0605R
N, N5, N6, N7, R5, R6, R7, R60, R70 (High Inertia, Generation I Cylinders)	Special Thresher Bars (Complete Set), Black Special Thresher Bar 2/set, Black Special Separator Bars (Complete Set), Black Special Separator Set (6 Forward, 2 Reverse), Black Forward Bar, Special Separator 2/set, Black Reverse Bar, Special Separator 2/set, Black Special Thresher Bars (Complete Set), Boron Special thresher Bar 2/set, Chrome Special Separator Bars (Complete Set), Boron	SHI SBA0160 SHI SBA0162 SHI SBA0180 SHI SBA0180R SHI SBA0500 SHI SBA0500R SHI SBA0126 SHI SBA0127 SHI SBA0146
N, N5, N6, N7, R5, R6, R7, R60, R70, R62, R72, R65, R75 (High Inertia, Generation II Cylinders)	Left, Black (Each, Shipped in Pairs) Left, Boron (Each, Shipped in Pairs) Right, Black (Each, Shipped in Pairs) Right, Boron (Each, Shipped in Pairs) Thresher Package (16 Forward), Black Thresher Package (16 Forward), Boron Separator Package (16 Forward), Black Separator Package (14 Forward, 2 Reverse), Black Separator Package (16 Forward), Boron Separator Package (14 Forward, 2 Reverse), Boron Complete Set (32 Forward), Black Complete Set (30 Forward, 2 Reverse), Black Complete Set (32 Forward), Boron Complete Set (30 Forward, 2 Reverse), Boron	SHI SBAG2530 SHI SBAG2536 SHI SBAG2550 SHI SBAG2556 SHI SBAG2600 SHI SBAG2606 SHI SBAG2610 SHI SBAG2610R SHI SBAG2616 SHI SBAG2616R SHI SBAG2700 SHI SBAG2700R SHI SBAG2706 SHI SBAG2706R

**FITS GLEANER**

**Sunnybrook Cylinder Bars & Kits (cont'd)**

APPLICATION	DESCRIPTION	PART NUMBER
R5, R6, R7, R60, R70 (OEM Cylinders)	Reg. Thresher Bars, P1 (Complete Set), Black Reg. Thresher Bar 2/set, P1, Black Reg. Seperator Bars, P1 (Complete Set), Black Reg. Seperator Bar 2/set, P1, Black Reg. Seperator Bars, P1 (Complete Set), Black (6 Fwd, 2 Rvs) Reg. Seperator Bar 2/set, P1, Chrome Reg. Seperator Bar 2/set, P1, Boron Reg. Seperator Bars, P1 (Complete Set), Boron (6 Fwd, 2 Rvs) Reverse Bar, Regular Seperator 2/set, Black Reverse Bar, Regular Seperator 2/set, Chrome	SHI SBA0150 SHI SBA0152 SHI SBA0170 SHI SBA0172 SHI SBA0170R SHI SBA0137 SHI SBA0138 SHI SBA0136R SHI SBA0600R SHI SBA0605R
R40, R42, R50, R52 (OEM Cylinders)	Forward Narrow, Black (Each, Shipped in Pairs) Forward Narrow, Boron (Each, Shipped in Pairs) Forward Wide, Black (Each, Shipped in Pairs) Forward Wide, Boron (Each, Shipped in Pairs) Reverse Narrow, Black (Each, Shipped in Pairs) Reverse Narrow, Boron (Each, Shipped in Pairs) Reverse Wide, Black (Each, Shipped in Pairs) Reverse Wide, Boron (Each, Shipped in Pairs) Modified Discharge Bar, Black Modified Discharge Bar, Chrome	SHI SBA0520 SHI SBA0526 SHI SBA0530 SHI SBA0536 SHI SBA0540 SHI SBA0546 SHI SBA0550 SHI SBA0556 SHI SBA0802D SHI SBA0807D
R40, R42, R50, R52 (High Inertia, Generation I Cylinders)	Special Thresher Bars (Complete Set), Black Special Thresher Bar 2/set, Black Special Seperator Bars (Complete Set), Black special Seperator Bars (Complete Set), Black (6 Fwd, 2 Rvs) Forward Bar, Special Seperator 2/set, Black Reverse Bar, Special Seperator 2/set, Black Special Thresher Bars (Complete Set), Boron Special Thresher Bar 2/set, Boron	SHI SBA0350 SHI SBA0352 SHI SBA0360 SHI SBA0360R SHI SBA0510 SHI SBA0510R SHI SBA0226 SHI SBA0228
R62, R72, R65, R75 (OEM Cylinders)	Forward Narrow, Black (Each, Shipped in Pairs) Forward Narrow, Boron (Each, Shipped in Pairs) Forward Wide, Black (Each, Shipped in Pairs) Forward Wide, Boron (Each, Shipped in Pairs) Reverse Narrow, Black (Each, Shipped in Pairs) Reverse Narrow, Boron (Each, Shipped in Pairs) Reverse Wide, Black (Each, Shipped in Pairs) Reverse Wide, Boron (Each, Shipped in Pairs) Modified Discharge Bar, Black Modified Discharge Bar, Chrome	SHI SBA0520 SHI SBA0526 SHI SBA0530 SHI SBA0536 SHI SBA0540 SHI SBA0546 SHI SBA0550 SHI SBA0556 SHI SBA0800D SHI SBA0805D
R62, R72, R65, R75 (High Inertia, Generation I Cylinders)	Special Thresher Bars (Complete Set), Black Special Thresher Bar 2/set, Black Special Seperator Bars (Complete Set), Black Special Seperator Set (6 Forward, 2 Reverse), Black Forward Bar, Special Seperator 2/set, Black Reverse Bar, Special Seperator 2/set, Black Special Thresher Bars (Complete Set), Boron Special Seperator Bars (Complete Set), Boron	SHI SBA0160 SHI SBA0162 SHI SBA0180 SHI SBA0180R SHI SBA0500 SHI SBA0500R SHI SBA0126 SHI SBA0146
C62 (OEM Cylinders)	Complete Set, Black Complete Set, Boron Left 2/set, Black Right 2/set, Black	SHI SBA0840 SHI SBA0846 SHI SBA0850 SHI SBA0860
C62 (High Inertia, Generation II Cylinders)	Outer Left, Black (Each, Shipped in Pairs) Outer Left, Boron (Each, Shipped in Pairs) Left, Black (Each, Shipped in Pairs) Left, Boron (Each, Shipped in Pairs) Outer Right, Black (Each, Shipped in Pairs) Outer Right, Boron (Each, Shipped in Pairs) Right, Black (Each, Shipped in Pairs) Right, Boron (Each, Shipped in Pairs) Complete Set, Black Complete Set, Boron	SHI SBA2520 SHI SBA2526 SHI SBA2530 SHI SBA2536 SHI SBA2540 SHI SBA2546 SHI SBA2550 SHI SBA2556 SHI SBA2650 SHI SBA2656

## FITS GLEANER

### Concaves and Components

All concaves are LINE BORED for uniform height of bars at cylinder contact points and have added strength at stress points. These concaves are made of heavy duty high carbon steel cross bars and high carbon steel 1/4" wires. Narrow spaced rotary concaves feature low wire for more aggressive separation. Holes are drilled to provide a tight wire fit, which prevents spearing and trapping of straw. Corn concaves feature wider spacing and high wires to prevent plugging between bars.



APPLICATION	DESCRIPTION	PART NUMBER
L Series	New 7 Bar Concave	CYL WP71185216
L Series	New 9 Bar Concave	CYL WPCGL-L-9
M Series	New 7 Bar Concave	CYL WP71185213
M Series	New 9 Bar Concave	CYL WPCGL-M-9
N & R5, 6, 7	New 8 Bar Concave	CYL WP71329917
R5 (Eff S/N 8001), R6 (Eff S/N 10301), R7 (S/N 7001-8700), R60 (S/N 12701-16500), R70 S/N 8701-12500).	New 8 Bar Concave	CYL WP71358479
R40, R50, R42, R52	New Thresher Concave, Concave Grate, Low-Wire Concave Frame Assy Black, Concave and Grate are sold separately	CYL WP71369111 CYL WP71369136
R60 (Prior S/N 64001), R70 (Prior S/N 74001)	New Thresher Concave, Concave Grate, Low-Wire Concave Frame Assy- Black, Concave and Grate are sold separately	CYL WPCGL-6070 CYL WPCGL-6070
C & M Series	New Bar Channel w/Hardware	CYL WP71185113
F Series	New Bar Channel w/Hardware	CYL WPFBC-300
E & K Series	New Bar Channel w/Hardware	CYL WPEBC-300
G Series	New Bar Channel w/Hardware	CYL WP71139312
L Series	New Bar Channel w/Hardware	CYL WP71185115
L Series	New Flat Support Bar	CYL WP71165149
M Series	New Flat Support Bar	CYL WP71158824
R40, R50, R42, R52	New Wear Strip	CYL WP71348328
R62, R72	New Thresher Concave, Concave Grate, Low-Wire Concave Frame Assy - Black, Concave and Grate are sold separately	CYL WP71370963 CYL WP71377145

### Sunnybrook Concaves and Components

APPLICATION	DESCRIPTION	PART NUMBER
L, L2, L3	1" Black Heavy Duty, 9 Bar 1" Black Heavy Duty, 7 Bar 2" Black Heavy Duty, 9 Bar	SHI SBA0220 SHI SBA0222 SHI SBA0210
M, M2, M3, MH2, MH3	1" Black Heavy Duty, 9 Bar 1" Black Heavy Duty, 7 Bar 2" Black Heavy Duty, 9 Bar	SHI SBA0260 SHI SBA0262 SHI SBA0250
N, N5, N6, N7	1" Black Heavy Duty, 8 Bar 2" Black Heavy Duty, 8 Bar Modified 1", Black, 13 Bar (Includes Back Extension) Modified 1", Chrome, 13 Bar (Includes Back Extension) Modified 2", Black, 13 Bar (Includes Back Extension) Modified 2", Chrome, 13 Bar (Includes Back Extension) Adjustable Front Plate ASY.	SHI SBA0140 SHI SBA0130 SHI SBA0120 SHI SBA0085 SHI SBA0110 SHI SBA0075 SHI SBA0440
R5, R6, R7, R60, R70	1" Black Heavy Duty, 9 Bar (P1) 2" Black Heavy Duty, 9 Bar (P1) Modified 1", Black, 13 Bar (Includes Back Extension) (P1) Modified 1", Chrome, 13 Bar (Includes Back Extension) (P1) Modified 2", Black, 13 Bar (Includes Back Extension) (P1) Modified 2", Chrome, 13 Bar (Includes Back Extension) (P1)	SHI SBA0100 SHI SBA0090 SHI SBA0080 SHI SBA0045 SHI SBA0070 SHI SBA0035

**FITS GLEANER**

**Sunnybrook Concaves and Components**

APPLICATION	DESCRIPTION	PART NUMBER
R40, R42, R50, R52	Narrow (Complete Assembly), Black Narrow (Complete Assembly), Chrome Hi Wire Wide (Complete Assembly), Black Hi Wire Wide (Complete Assembly), Chrome Seperator Grate, Hi Wire, Chrome Seperator Grate, Hi Wire, Black Front Assembly Grate, Narrow, Black Front Assembly Grate, Narrow, Chrome Front Assembly Grate, Hi Wire Wide, Black Front Assembly Grate, Hi Wire Wide, Chrome Rear Frame Assembly, Narrow, Black Rear Frame Assembly, Wire, Black Rear Frame Assembly, Narrow, Chrome Rear Frame Assembly, Wide, Chrome Filler Bar (Recommended for Cereal Grain) Concave Wear Strip, Black Concave Wear Strip, Boron	SHI SBA0370 SHI SBA0375 SHI SBA0380 SHI SBA0385 SHI SBA0665 SHI SBA0670 SHI SBA0560 SHI SBA0565 SHI SBA0570 SHI SBA0575 SHI SBA0562 SHI SBA0564 SHI SBA0567 SHI SBA0569 SHI SBA0680 SHI SBA0580 SHI SBA0586
R62, R72, R65, R75	Narrow (Complete Assembly), Black, P3 (New for 1998) Narrow (Complete Assembly), Black, P3, S.S. RWE (New for 1998) Narrow (Complete Assembly), Chrome, P3 (New for 1998) Hi Wire Wide (Complete Assembly), Black, P3 (New for 1998) Hi Wire Wide (Complete Assembly), Black, P3, S.S. RWE, (New 1998) Hi Wire Wide (Complete Assembly), Chrome, P3 (New for 1998) Front Assembly Grate, Narrow, Black Front Assembly Grate, Narrow, Black, S.S. RWE Front Assembly Grate, Narrow, Chrome Front Assembly Grate, Hi Wire Wide, Black Front Assembly Grate, Hi Wire Wide, Black, S.S. RWE Front Assembly Grate, Hi Wire Wide, Chrome Rear Assembly, Hi Wire Wide, Black Rear Assembly, Hi Wire Wide, Chrome Filler Bar (Recommended for Cereal Grain) Concave Wear Strip, Black Concave Wear Strip, Boron Seperator Grate, Hi Wire, Chrome Seperator Grate, Hi Wire, Black	SHI SBA0610 SHI SBA0610RWE SHI SBA0615 SHI SBA0490 SHI SBA0490RWE SHI SBA0495 SHI SBA0630 SHI SBA0630RWE SHI SBA0635 SHI SBA0640 SHI SBA0640RWE SHI SBA0645 SHI SBA0642 SHI SBA0647 SHI SBA0650 SHI SBA0620 SHI SBA0626 SHI SBA0655 SHI SBA0660
C62	Narrow (Complete Assembly), Black Narrow (Complete Assembly), Chrome Wide (Complete Assembly), Black Wide (Complete Assembly), Chrome Front Assembly Grate, Narrow, Black Front Assembly Grate, Narrow, Chrome Front Assembly Grate, Wide, Black Front Assembly Grate, Wide, Chrome Rear Assembly, Wide, Black Rear Assembly, Wide, Chrome Wear Strip Bar, Black Wear Strip Bar, Boron	SHI SBA0720 SHI SBA0725 SHI SBA0730 SHI SBA0735 SHI SBA0740 SHI SBA0745 SHI SBA0750 SHI SBA0755 SHI SBA0752 SHI SBA0757 SHI SBA0760 SHI SBA0766

**Miscellaneous**

DESCRIPTION	PART NUMBER
Filler Plates (Conventional Concaves, Advise Model Number )	SHI SBFP0010
Gudgeon Shaft	SHI SBA05012A
Tool/Lazee Lazer	SHI SBL0050
Shim/Cylinder Bar (All Makes), 100/Pkg	SHI SBSH0020



## FITS GLEANER

### Harvest Concave for Conventional Combines

**How Harvest Concaves for conventional & rotary combines differ from original factory concaves.**

- Made from 1045 carbon steel
- Precision bored for a proper fit
- Heavier and stronger than OEM to maintain their shape
- More bar over the wire for improved threshing performance and longer life
- Wire diameters are larger so that they keep their shape and last longer
- Holes are drilled, not punched for a snug wire fit so that there is no wire-to-hole gap to trap straw

DESCRIPTION		WT	PART NO.
GL M	HIGH WIRE	223	CYL CO2510HW
GL L	HIGH WIRE	249	CYL CO2520HW

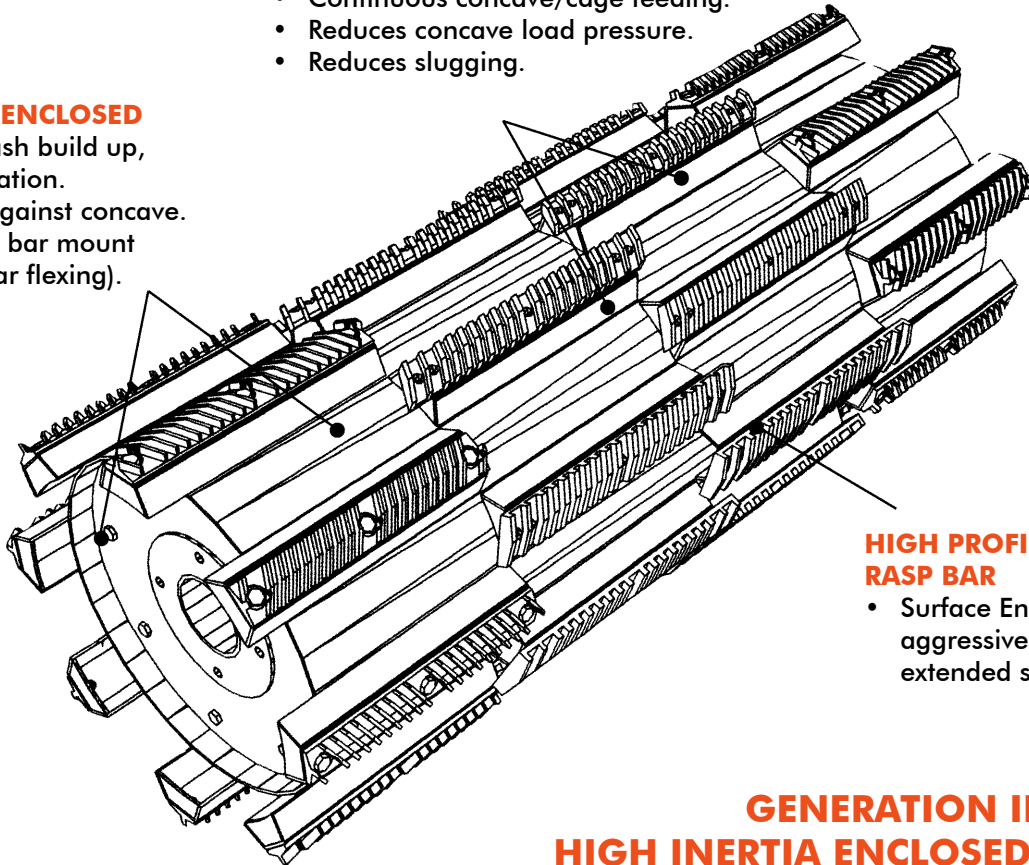
### Sunnybrook High Inertia Cylinders

#### KNUCKLED DESIGN

- Continuous concave/cage feeding.
- Reduces concave load pressure.
- Reduces slugging.

#### HIGH INERTIA ENCLOSED

- Eliminates trash build up, reducing vibration.
- Forces crop against concave.
- Rigid cylinder bar mount (eliminates bar flexing).



#### HIGH PROFILE BORONIZED RASP BAR

- Surface Engineered, aggressive design, extended service life.

## GENERATION II HIGH INERTIA ENCLOSED CYLINDER BY SUNNYBROOK

APPLICATION	DESCRIPTION	PART NUMBER
L, L2, L3	Generation I Cylinder w/Black Bars	SHI SBA0400
M, M2, M3, MH2, MH3	Generation I Cylinder w/Black Bars	SHI SBA0420
C62	Generation II Cylinder w/Black Bars Generation II Cylinder w/Boron Bars	SHI SBA0710 SHI SBA0716



**FITS GLEANER**

**Sunnybrook High Inertia Rotors**

APPLICATION	DESCRIPTION	PART NUMBER
N, N5, N6, N7, R5, R6, R7, R60, R70, R62, R72, R65, R75	Generation II Rotor w/Black Bars	SHI SBA0032
	Generation II Rotor w/Black Bars & Sweeps	SHI SBA0032S
	Generation II Rotor w/Boron Bars	SHI SBA0036
	Generation II Rotor w/Boron Bars & Sweeps	SHI SBA0036S
	Gearbox Coupling, P3 System, 3/4" Bolts	SHI SBA0060
	Discharge Vane, Flat, Gen II (Prior Rotor Seal #221)	SHI SBA0038
	Discharge Vane, Curved, Gen II (Effective Rotor Seal #221)	SHI SBA0039
	Discharge Paddle Kit (Set of 4)	SHI SBA0290
	Rotor Sweep, Black	SHI SBA0044
	Rotor Sweep, Boron	SHI SBA0046
R40, R42, R50, R52	Generation I Rotor w/Black Bars	SHI SBA0340
	Generation I Rotor w/Black Bars (6 Fwd, 2 Rvs on Seperator)	SHI SBA0340R
	Generation I Rotor w/Chrome Bars	SHI SBA0215
	Generation I Rotor w/Chrome Bars (6 Fwd, 2 Rvs on Seperator)	SHI SBA0215R
	Gearbox Coupling, P3 System, 3/4" Bolts	SHI SBA0060

**Note: The above Rotors have not been field tested by AGCO Engineering on current production machines and are not part of the warranty. This will exclude this item on machines that are under warranty.**

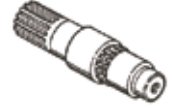
**Accessories**

APPLICATION	DESCRIPTION	PART NUMBER
N, N5, N6, N7, R5, R6, R7, R60, R70,	Gear Box Support Plat w/Bolts	SHI SBA0190
R62, R72, R65, R75	Bar/Set, Helical Modiefied Pitch w/Bolts	

## FITS GLEANER

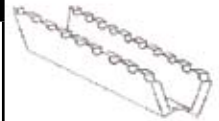
### Rotor Output Shafts

APPLICATION	DESCRIPTION	PART NUMBER
N5 (S/N 4501), N6 (S/N 5101), N7 (S/N 2501), R6, R7, R40, R50, R60, R70, R42, R52, R62, R72	New Rotor Output Shaft	CYL WP71328554



### Accelerator Lug Roll Components

APPLICATION	DESCRIPTION	PART NUMBER
N5*, N6*, N7*, R5, R6, R7, R40, R50, R70, R42, R52, R62, R72	New Lug Roll Kit; Kit includes: (4) CYL 71352611 Lugs and (12) 3/8" x 5/8" Machine Screws *Note: These kits will only work on units that have the bolt-on style accelerator lug rolls. These kits will not work with the early version accelerator rolls.	CYL WP71339372
N5*, N6*, N7*, R5, R6, R7, R40, R50, R70, R42, R52, R62, R72	New Lug Roll *Note: This lug will only work on units that have the bolt-on style accelerator lug rolls. This lug will not work with the early version accelerator rolls.	CYL WP71352611
N5*, N6*, N7*, R5, R6, R7, R60 Rear S/N 12701-16500, Front S/N 12701-17500, R70 Rear S/N 8701-12500, Front S/N 8701-13500	New Accelerator Lug Roll Shaft *Note: This shaft will only work on units that have the bolt-on style accelerator lug rolls. This shaft will not work with the early version accelerator rolls without modifications.	CYL WP71339291 (Front) CYL WP71339287 (Rear)



### Thresher Parts

APPLICATION	DESCRIPTION	PART NUMBER
N5, N6, N7, R5, R6, R7, R60, R70, R62, R72	New Shaft w/Hub, Gearbox Input Replaces: 71197491	CYL WP7130708
L, L2, L3, M, M2, M3, N5, N6, N7, R40, R60, R70, R42, R52, R62	New Hub, Vari-speed thresher countershaft	CYL WP71301962



### Variable-Speed Thresher Countershafts

APPLICATION	DESCRIPTION	PART NUMBER
L2	New Variable-Speed Thresher Countershaft	CYL WP71318877
M2	New Variable-speed Thresher Countershaft	CYL WP71318878



### Beaters

These balanced beaters are made with heavy abrasive resistant  $\frac{3}{16}$ " steel.

APPLICATION	DESCRIPTION	PART NUMBER
M Series	New Threher Beater	CYL WP71303606
M Series	New Spearator Beater	CYL WP71158484
L Series	New Thresher Beater	CYL WP71300212
L Series	New Separator Beater	CYL WP71138247



### Sunnybrook Beaters

APPLICATION	DESCRIPTION	PART NUMBER
L, L2, L3	Back Beater, Heavy Duty, 4 Blade Behind Concave	SHI SBA0230
M, M2, M3, MH2, MH3	Back Beater, Heavy Duty, 4 Blade Behind Concave	SHI SBA0270
C62	Back Beater, Heavy Duty, Deep Wing Back Beater Blades, Serrated, Black Back Beater Blades, Serrated, Boron	SHI SBA0890 SHI SBA0592 SHI SBA0596

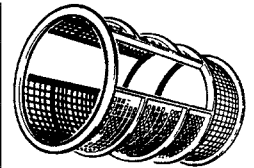
## FITS GLEANER

### Discharge Bars

APPLICATION	DESCRIPTION	PART NUMBER
R40 S/N 1101-2000, R50 S/N 1001-3500	Discharge Cylinder Bars - Short Discharge Cylinder Bars - Short Discharge Cylinder Bars - Long Discharge Cylinder Bars - Long	CYL WPOGLDBL-4050H (Hardened) CYL WPOGLDBL-4050C (Chrome) CYL WPOCLDBL-4050HL (Hardened) CYL WPOGLDBL-4050CL (Chrome)
R40 S/N 2001-3000, R50 S/N 3501-4500, R42, R52	Discharge Cylinder Bars - Short Discharge Cylinder Bars - Short Discharge Cylinder Bars - Long Discharge Cylinder Bars - Long	CYL WPOCLDBL-4252H (Hardened) CYL WPOGLDBL-4252C (Chrome) CYL WPOGLDBL-4252HL (Hardened) CYL WPOGLDBL-4252CL (Chrome)
R60 Eff. S/N 16501, R70 Eff. S/N 12501, R62, R72	Discharge Cylinder Bars - Short Discharge Cylinder Bars - Short Discharge Cylinder Bars - Long Discharge Cylinder Bars - Long	CYL WPOGLDBL-6272H (Hardened) CYL WPOGLDBL-6272C (Chrome) CYL WPOGLDBL-6272HL (Hardened) CYL WPOGLDBL-6272CL (Chrome)

### Rotor Cages

APPLICATION	DESCRIPTION	PART NUMBER
N5, N6, N7, R5, R6, R7, R60 (S/N 12701-16500), R70 (S/N 8701-12500)	New Thresher Frame Assy. 1" x 1" per w/o doors - chrome	CYL WP71354759
N5, N6, N7, R5, R6, R7, R60 (S/N 12701-16500), R70 (S/N 8701-12500)	New Thresher Frame Assy. 1" x 1" perf, w/doors, black helical bars	CYL WPTFD103
N5, N6, N7, R5, R6, R7, R60 (S/N 12701-16500), R70 (S/N 8701-12500)	New Thresher Frame Assy. 1" x 1" perf, w/doors, chrome helical bars	CYL WPTFD103C
N5, N6, N7, R5, R6, R7, R60 (S/N 12701-16500), R70 (S/N 8701-12500)	New Bolt in Door, Thresher 1" x 1" perf - Chrome (1 pc. req. for assy.)	CYL WP71354758
N5, N6, N7, R5, R7, R60 (S/N 12701-16500), R70 (S/N 8701-12500)	New Separator Frame Assy. 1" x 1" per w/o doors - Chrome	CYL WPSFD701C
N5, N6, N7, R5, R6, R7, R60 S/N (12701-16500), R70 (S/N 8701-12500)	New Separator Frame Assy. 1" x 1" perf w/doors, Black helical bars	CYL WPSFD703
N5, N6, N7, R5, R6, R7, R60 S/N (12701-16500), R70 (S/N 8701-12500)	New Separator Frame Assy. 1" x 1" perf w/doors, Chrome helical bars	CYL WPSFD703C
N5, N6, N7, R5, R6, R7, R60 (S/N 12701-16500), R70 (S/N 8701-12500)	New Bolt in Door, Separator 1" x 1" perf - Black	CYL WP71196038
N5, N6, N7, R5, R6, R7, R60 (S/N 12701-16500), R70 (S/N 8701-12500)	New Bolt in Door, Separator 1" x 1" perf - Chrome	CYL WP71354756



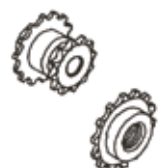
### Rotor Cage Flat & Helical Channels

APPLICATION	DESCRIPTION	PART NUMBER
N5, N6, N7, R60, R70 Early R5, R6, R7	New Rotor Cage Channels Complete Set of Flat Helicals Chrome	CYL WPCPL93C



### Cleaning Fan Sprockets

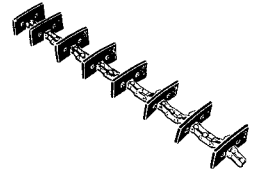
APPLICATION	DESCRIPTION	PART NUMBER
F2, F3, L, L2, M, M2	New Cleaning Fan Sprocket Single, 15 Tooth for 50 Chain 1.000" I.D. Left Hand Threaded	CYL WP71158534
L2, L3, M2, M3	New Cleaning Fan Sprocket Double, 12 and 15 Tooth for 50 chain Left Hand Threaded	CYL WP71193821



## FITS GLEANER

### Elevator Chains

Our elevator chains have rubber paddles, unless otherwise specified. Paddles are fastened to the chain with  $\frac{5}{16}$ " plated bolts and locknuts. Chains feature full side plates for added strength. To extend the life of your chain assemblies, always replace the sprockets when installing a new chain.



APPLICATION	DESCRIPTION	PART NUMBER
C, C2, F Series, G Series, K2	New Clean Grain Elevator Chain 165 links - 4 $\frac{3}{4}$ " x 3" paddle every 4th link	CYL WP71149384 (Rubber)
G Series	New Clean Grain Elevator Chain 120 links - 4 $\frac{3}{4}$ " x 3" paddle every 4th link	CYL WP71149390 (Rubber)
E Series	New Clean Grain Elevator Chain 160 links - 4 $\frac{3}{8}$ " x 1 $\frac{3}{4}$ " paddle every 4th link	CYL WP71149201
L & M Series	New Clean Grain Elevator Chain 160 links - 5 $\frac{1}{2}$ " x 3 $\frac{7}{8}$ " paddle every 4th link	CYL WP71149453 (Rubber)
L & M Series - High Output Housing	New Clean Grain Elevator Chain 160 links - 7" x 3 $\frac{3}{4}$ " paddle every 4th link	CYL WP71149583 (Rubber)
N, R Series	New Clean Grain Elevator Chain 133 links - 8 $\frac{3}{4}$ " x 4 $\frac{1}{4}$ " paddle every 4th link	CYL WP71149578 (Rubber)
N, R Series	New Clean Grain Elevator Chain 140 links - 8 $\frac{3}{4}$ " x 4 $\frac{1}{4}$ " paddle every 4th link	CYL WP29005 (Rubber)
R40, R50	New Clean Grain Elevator Chain 148 links - 7" x 3 $\frac{3}{4}$ " paddle every 4th link	CYL WP71149844 (Rubber)
R62 (Prior S/N 63001), R72 (Prior S/N 73001)	New Clean Grain Elevator Chain 152 links - 8 $\frac{1}{2}$ " x 4" paddle every 4th link	CYL WP71149814 (Rubber)
C, C2	New Return Grain Elevator Chain 135 links - 3 $\frac{5}{8}$ " x 1 $\frac{1}{2}$ " paddle every 8th link	CYL WP71109076 (Rubber)
F, F2, F3, G, K2	New Return Grain Elevator Chain 165 links - 3 $\frac{5}{8}$ " x 1 $\frac{1}{2}$ " paddle every 8th link	CYL WP71149475 (Rubber)
L & M Series	New Return Grain Elevator Chain 168 links - 4 $\frac{3}{4}$ " x 1 $\frac{3}{8}$ " paddle every 8th link	CYL WP71149503 (Rubber)
N, R Series	New Return Grain Elevator Chain 72 links - 4 $\frac{1}{2}$ " x 3" paddle every 4th link	CYL WP71149559 (Rubber)
N & R Series	New Return Grain Elevator Chain 111 links - 4 $\frac{5}{8}$ " x 3" paddle every 4th link for use w/long return	CYL WP71149725 (Rubber)
R40, R42, R50, R52, R62, R72, C62	New Return Grain Elevator Chain 123 links - 4 $\frac{5}{8}$ " x 3" rubber paddle every 4th link	CYL WP71149843 (Rubber)

**FITS GLEANER**

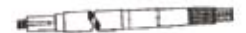
**Elevator Chain Sprockets**

APPLICATION	DESCRIPTION	PART NUMBER
A, E, F, G, K	New Clean Grain Elevator Chain Sprocket, Upper	CYL WP71132829
L, M Series	New Clean Grain Elevator Chain Sprocket, Upper	CYL WP71147756
N5 (Prior S/N 6101), N6 (Prior S/N 7301), N, R Series	New Clean Grain Elevator Chain Sprocket, Upper	CYL WP71195866
N6 (Eff S/N 7301), N7 (Prior S/N4501), R60,R70	New Clean Grain Elevator Chain Sprocket, Upper	CYL WP1327970
R40, R50	New Clean Grain Elevator Chain Sprocket, Upper	CYL WP71361974 CYL WP71361974H (Hardened)
R42, R52, R62 (Prior S/N 63001), R72 (Prior S/N 73001)	New Clean Grain Elevator Chain Sprocket, Upper	CYL WP71365825 CYL WP71365825H (Hardened)
A, E, F, G, K, L, M	New Clean Grain Elevator Chain Sprocket, Lower	CYL WP71147756
N & R Series w/5/16" Holes	New Clean Grain Elevator Chain Sprocket, Lower	CYL WP71196628
N7 (Prior S/N 4501)	New Clean Grain Elevator Chain Sprocket, Lower	CYL WP71195866
R40, R50, R60, R70, R5, R6, R7 - w/ 3/8 Holes	New Clean Grain Elevator Chain Sprocket, Lower	CYL WP71352665 CYL WP71352665H (Hardened)
R42, R52, R62 (Prior S/N 63001), R72 (Prior S/N 73001)	New Clean Grain Elevator Chain Sprocket, Lower	CYL WP71365825 CYL WP71365825H (Hardened)
A, E, F, G, K	New Return Grain Elevator Chain Sprocket, Upper	CYL WP71126055
N, R Series R60	New Return Grain Elevator Chain Sprocket, Upper	CYL WP71147756
R40, R50	New Return Grain Elevator Chain Sprocket, Upper	CYL WP71361974 CYL WP71361974H (Hardened)
R42, R52, R60, R70	New Return Grain Elevator Chain Sprocket, Upper	CYL WP71365825 CYL WP71365825H (Hardened)
A, E, F, G, K	New Return Grain Elevator Chain Sprocket, Lower	CYL WP71132829
L, M, Series	New Return Grain Elevator Chain Sprocket, Lower	CYL WP71147756
N & R Series, R40, R50, R60, R70	New Return Grain Elevator Chain Sprocket, Lower	CYL WP71361974 CYL WP71361974H (Hardened)
R42, R52, R60, R70	New Return Grain Elevator Chain Sprocket, Lower	CYL WP71365825 CYL WP71365825H (Hardened)



**Mainshafts**

APPLICATION	DESCRIPTION	PART NUMBER
C2	New Mainshaft	CYL WP71132859
N5 3191-6100, N6 3856-7300, N7 1768-4500	New Mainshaft	CYL WP71327295
N5 Eff. 6101, N6 Eff. 7301, N7 Eff. 4501, R5, R6, R7	New Mainshaft Right Hand	CYL WP71341482



**Separator Parts - Misc**

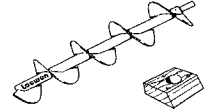
APPLICATION	DESCRIPTION	PART NUMBER
F2, F3, K2, L, L2, L2 Rice, L3, M, MH, M2, MH2, M2 Rice, M3, M3	New Left Hand Shoe Drive Sprocket 56 Tooth for 50 or 2050 Chain 11.50" O.D., 3.506" I.D.	CYL WP71158564
L, L2, L2 Rice, M, MH, M2, MH2, M2 Rice, M3, MH3	New Eccentric Drive Sprocket w/brg. cups 22 & 33 Tooth (For 50 or 2050 Chain)	CYL WP71179639
G, L, 2, L2 Rice, L3, M, MH, M2, MH2, M2 Rice, M3, M3	New Right Hand Shoe Drive Sprocket w/crank 13 Tooth for 2050 Chain	CYL WP71137876
F, F2, F3	New Raddle Drive Shaft 50.120" Lng	CYL WP71138146



## FITS GLEANER

### Augers - Lower Clean Grain

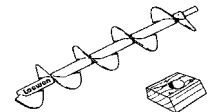
Our augers are made with continuous roll formed flighting for accuracy.  
Available in standard or hard surfaced outer edge on the lead end for longer wear.



APPLICATION	DESCRIPTION	PART NUMBER
L (Prior S/N 15000), L2	New Lower Clean Grain Auger Bearing - 2 Required, 89.00" Long	CYL WP71180426 BED SA205-16
L (Eff S/N 15500)	New Lower Clean Grain Auger Bearing - 2 Required, High Capacity, 9.75" Long	CYL WP71186212 BED SA205-16
L (S/N 15500-28000)	New Lower clean Grain Auger Bearing - 2 Required, 91.50" Long	CYL WP71189602 BED SA205-16
M (Prior S/N 18400)	New Lower Clean Grain Auger Bearing - 2 Req'd	CYL WP71187636 BED SA205-16
M (Prior S/N 18400), M2	New Lower Clean Grain Auger Bearing - 2 Required, 81.00" Long	CYL WP71180429 BED SA205-16
M (S/N 18401-27401)	New Lower Clean Grain Auger Bearing - 2 Required, 83.50" Long	CYL WP71189603 BED SA205-16
N5, N6, N7, R5, R6, R7, R60, R70	New Lower Clean Grain Auger Bearing - 2 Required, $\frac{3}{8}$ " Sprocket Hole, 89.75" Long	CYL WP71352664 BED SA205-16
R42, R52	New Lower Clean Grain Auger, 70.250" Long	CYL WP71366866

### Augers - Lower Tailing Return

Our augers are made with continuous roll formed flighting for accuracy.  
Available in standard or hard surfaced outer edge on the lead end for longer wear.

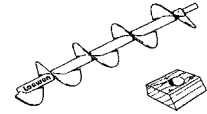


APPLICATION	DESCRIPTION	PART NUMBER
L (S/N 2601-15000)	New Lower Tailing Return Auger Bearing - 2 Required 80.75" Long	CYL WP71180431 BED SA205-16
L (S/N 15500-28000)	New Lower Tailing Return Auger Bearing - 2 Required 81.00" Logn	CYL WP71300128 BED SA205-16
M (Prior S/N 18400)	New Lower Tailing Return Auger Bearing - 2 Required	CYL WP71180434 BED SA205-16
N5, N6, N7, R5, R6, R7, R60, R70	New Lower Tailing Return Auger Bearing - 2 Required 76.25" Long	CYL WP71339811 BED G1100KRRB
R40, R50	New Lower Tailing Return Auger Bearing 62 1/8" Long	CYL WP71357502 BED G1100KRRB

## FITS GLEANER

### Augers - Grain Bin Loading

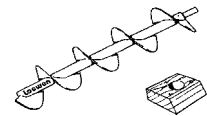
Our augers are made with continuous roll formed flighting for accuracy. Available in standard or hard surfaced outer edge on the lead end for longer wear.



APPLICATION	DESCRIPTION	PART NUMBER
R40, R42, R50, R52, Early R72	New Grain Bin Loading Auger, 74.00" Long	CYL WP71388939 (Chrome)

### Augers - Unloading

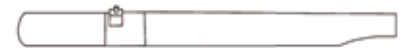
Our augers are made with continuous roll formed flighting for accuracy. Available in standard or hard surfaced outer edge on the lead end for longer wear.



APPLICATION	DESCRIPTION	PART NUMBER
M (Eff S/N 25901), L (S/N 13001-28000 Long), N5 (Eff S/N 6101), N6 (Eff S/N 7301), N7 (Eff S/N 2501) R40, R50, R41, R52 late	New Unloading Auger	CYL WP71340156
M(Eff S/N 25901) short, L (S/N 13001-28000) Short, N5 (Prior S/N 6101), N6 (Prior S/N 7301), N7 (Prior S/N 2501)	New Unloading Auger	CYL WP71340154
R5, R6, R7, R60, R70, R62, R72	New unloading Auger	CYL WP71374184

### Auger Tubes - Unloading

APPLICATION	DESCRIPTION	PART NUMBER
L2, L3, M2, M3, N5, N6, N7, R40	New Unloading Auger Tube	CYL WPTG83



### Unloading Auger Collar

This unloading Auger Collar features nylon coated plates instead of ball bearings to eliminate clogging and decrease wear.



APPLICATION	DESCRIPTION	PART NUMBER
F2 (Eff S/N 36201), F3 (Eff S/N 49601), K2 (Eff S/N 25201)	New Auger Collars - Unloading Includes Clamp & Cover	CYL WP71339770
L (Eff S/N 26001), L2, M(Eff S/N 24701), M2 N5 (Eff S/N 4501), N6 (Eff S/N 5101), N7 R40, R50	New Auger Collars - Unloading Includes Clamp & Cover Replaces OE P/N 71333439	CYL WP71373910

### Auger Extension Kits, Unloading

Combines using oversized headers demand greater unloading auger length. Use the EXTENDER for safe, easy and fast unloading into grain cars, wagons, trucks, and semi-trailers. Simple, do it yourself installation. No cutting required. Comes complete with mounting hardware.

APPLICATION	DESCRIPTION	PART NUMBER
N, R Series	New Auger Extension Kits - Unloading	CYL WPGL2EXT-12
N, R Series	New Auger Extension Kits - Unloading	CYL WPGL2EXT-14



## FITS GLEANER

### Short Finger Top Chaffers

Adjustable Short Finger Chaffers - These adjustable Chaffers feature nylon adjustable mechanisms and cushions in each wire hole to improve adjustments and reduce friction, wear, and breakage. Individual replacement louvers make for easier repairs. Wire spacing is 1<sup>1</sup>/<sub>8</sub>".



APPLICATION	DESCRIPTION	PART NUMBER
F2 (Prior S/N 39201), G	New Short Finger Top Chaffer, Short Shoe, 40.69" x 40.69"	CYL WP71194581
F2 (Eff S/N 39201), F3	New Short Finger Top Chaffer, Long Shoe, 40.69" x 50.50"	CYL WP71138165
M, M2 (Prior S/N 22100)	New Short Finger Top chaffer, Short Shoe, 44.69" x 49.34"	CYL WPSFGL-M
M2(Eff S/N 21900), M3	New Short Finger Top Chaffer, Long Shoe, 44.69" x 58.60"	CYL WP71308754
L, L2 (Prior S/N 19501)	New Short Finger Top Chaffer, Short Shoe, 52.69" x 49.34"	CYL WP71152658
L3, L2 (Eff S/N 19501)	New Short Finger Top Chaffer, Long Shoe, 52.69" x 56.60"	CYL WP71308755
N5, N6, N7, R5, R6, R7, R60, R70, R62, R72	New Short Finger Top Chaffer, Short Shoe, 62.44" x 49.34"	CYL WP71323676
R40, R50, R42, R52	New Short Finger Top Chaffer, Short Shoe, 41.67" x 63.94"	CYL WPSFGL-4050
R42, R52	New Short Finger Top Chaffer, Short Shoe, 52.69" x 49.34"	CYL WP71152658
R62, R72	New Short Finger Top Chaffer, Long Shoe, 62.44" x 63.94"	CYL WP71373460

### Long Finger Top Chaffers

Adjustable Long Finger Chaffers - These adjustable chaffers feature nylon adjustable mechanisms and cushions in each wire hole to improve adjustments and reduce friction, wear, and breakage. Individual replacement louvers make for easier repairs.

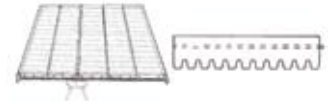


APPLICATION	DESCRIPTION	PART NUMBER
F2 (Prior S/N 39201)	New Long Finger Top Chaffer, Short Shoe, 40.69" x 40.69"	CYL WPLFGL-F2
F2 (Eff S/N 39201), F3	New Long Finger Top Chaffer, Long Shoe, 40.69" x 50.50"	CYL WPLFGL-F3
M, M2 (Prior S/N 22100)	New Long Finger Top Chaffer, Short Shoe, 44.69" x 49.34"	CYL WPLFGL-M
M2 (Eff S/N 21900), M3	New Long Finger Top Chaffer, Long Shoe, 44.69" x 56.60"	CYL WPLFGL-M2
L, L2 (Prior S/N 19501)	New Long Finger Top Chaffer, Short Shoe, 52.69" x 49.34"	CYL WPLFGL-L
L3, L2 (Eff S/N 19501)	New Long Finger Top Chaffer, Long Shoe, 52.69" x 56.60"	CYL WPLFGL-L2
N5, N6, N7, R5, R6, R7, R60, R70, R62, R72	New Long Finger Top Chaffer, Short Shoe, 62.44" x 49.34"	CYL WP71323677
R40, R50, R42, R52	New Long Finger Top Chaffer, Short Shoe, 41.67" x 49.34"	CYL WP71330728
R42, R52	New Long Finger Top Chaffer, Long Shoe, 41.67" x 63.94"	CYL WP71373463
R62, R72	New Long Finger Top Chaffer, Long Shoe, 62.44" x 63.94"	CYL WP71373461

## FITS GLEANER

### Blunt Finger Bottom Sieves

Adjustable Blunt Finger Sieves - These adjustable sieves feature nylon adjustable mechanisms and cushions in each wire hole to improve adjustments and reduce friction, wear, and breakage. Individual replacement louvers make for easier repairs. Wire spacing is 1<sup>1</sup>/<sub>8</sub>".



APPLICATION	DESCRIPTION	PART NUMBER
F2, F3 (Prior S/N 39201)	New Blunt finger Bottom Sieve, Short Shoe, 40.69" x 40.69"	CYL WP71194582
F2 (Eff S/N 39201), F3	New Blunt finger Bottom Sieve, Long Shoe, 40.69" x 50.50"	CYL WP71137840
M, M2 (Prior S/N 22100)	New Blunt Finger Bottom Sieve, Short Shoe, 43.00" x 44.75"	CYL WPBFGLB-M
M2 (Eff S/N 21900), M3	New Blunt Finger Bottom Sieve, Long Shoe, 44.50" x 56.63"	CYL WP71308756
L, L2 (Prior S/N 19500)	New Blunt Finger Bottom Sieve, Short Shoe, 51.00" x 44.75"	CYL WP71152664
L2 (Eff S/N 19501), L3	New Blunt Finger Bottom Sieve, Long Shoe, 51.13" x 52.63"	CYL WP71308757
N5, N6, N7, R5, R6, R7, R60, R70, R62, R72	New Blunt Finger Bottom Sieve, Short Shoe	CYL WP71322700
R40, R50, R42, R52	New Blunt Finger Bottom Sieve, Short Shoe	CYL WPBFGLB-4050

### Peterson Top Chaffers

Peterson Adjustable Chaffers - Complete with levers for fine tuning, to match specific crop and harvest conditions. Special dividers make the Peterson Chaffer ideal for hill side conditions.



APPLICATION	DESCRIPTION	PART NUMBER
M2 (Eff S/N 21900), M3	New peterson Adjustable Top Chaffer, Long Shoe, 44.69" x 56.60"	CYL WPPGL-M2
L & L2 (Prior S/N 19501)	New Peterson Adjustable Top Chaffer, Short Shoe, 52.69" x 49.34"	CYL WPPGL-L
L2 (Eff S/N 19501), L3	New Peterson Adjustable Top Chaffer, Long Shoe, 52.69" x 56.60"	CYL WPPGL-L2
N5, N6, N7, R5, R6, R7, R60, R70, R62, R72	New Peterson Adjustable Top Chaffer, Short Shoe, 62.44" x 49.34"	CYL WPPGL-N
R40, R50, R42, R52	New Peterson Adjustable Top Chaffer, Short Shoe, 41.67" x 49.34"	CYL WPPGL-4050

## FITS GLEANER

### Rigid Air Foil Chaffers

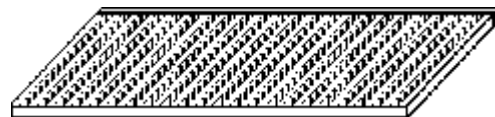
Rigid Air Foil Chaffers - Made of galvanized material. Dividers included for even distribution and extra strength. Preset for maximum performance at normal conditions. **LIFETIME WARRANTY.**

APPLICATION	DESCRIPTION	PART NUMBER
F2 (Prior S/N 39201), G	New Rigid Air Foil Chaffer, Short Shoe, 40.69" x 40.69"	CYL WPAGL-F2
F2 (Eff S/N 39201), F3	New Rigid Air Foil Chaffer, Long Shoe, 40.69" x 50.50"	CYL WPAGL-F3
M (Prior S/N 22101), M2	New Rigid Air Foil Chaffer, Short Shoe, 44.69" x 49.34"	CYL WPAGL-M
M2 (Eff 22101), M3	New Rigid Air Foil Chaffer, Long Shoe, 44.69" x 56.60"	CYL WPAGL-M2
L, L2 (Prior S/N 19501)	New Rigid Air Foil Chaffer, Short Shoe, 52.69" x 49.34"	CYL WPAGL-L
L2 (Eff. S/N 19501), L3	New Rigid Air Foil Chaffer, Long Shoe, 52.69" x 56.60"	CYL WPAGL-L2
N5, N6, N7, R5, R6, R7, R60, R70, R62, R72	New Rigid Air Foil Chaffer, Short Shoe, 62.44" x 49.34"	CYL WPAGL-N
R40, R50, R42, R52	New Rigid Air Foil Chaffer, Short Shoe, 41.67" x 49.34"	CYL WPAGL-4050
R42, R52	New Rigid Air Foil Chaffer, Long Shoe, 41.67" x 63.94"	CYL WPAGL-4252
R62, R72	New Rigid Air Foil Chaffer, Long Shoe, 62.44" x 63.94"	CYL WPAGL-6272

### Harvest Sieves - Air foil chaffers, plastic adjustable top & bottom sieves

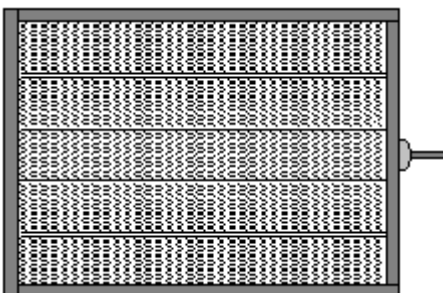
#### ALL STEEL AIRFOIL CHAFFER

- Uniform air distribution across entire width of chaffer.
- Cushion of air keeps lighter material suspended while heavier material (grain) falls through.
- Air is directed almost straight up.
- No adjustments - just fan speed.
- Almost 100% recovery from canola to beans.
- Money Back Guarantee & Lifetime Warranty.

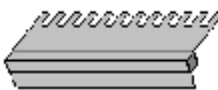


#### PLASTIC ADJUSTABLE

- Patented plastic sieve is appr. 40% lighter than steel.
- Top chaffer - 1 3/8" spacing standard for 1 1/2" for corn.
- Precision adjustments by increments.



#### PLASTIC LOUVER



- Cupped tail scoop on bottom side of louver forces air more vertical.
- Plastic louvers won't rust.
- Smooth profile of louvers reduce sappy weed buildup & "icing".
- Plastic louvers, joiners, etc. are fully replaceable.

**FITS GLEANER**

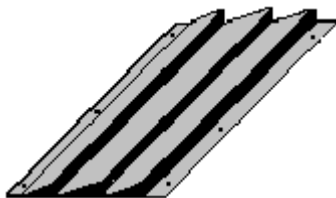
**Harvest Sieves - Air foil chaffers, plastic adjustable top & bottom sieves (continued)**

DESCRIPTION	TO FIT	L x W	WT	PART NO.
AIRFOIL CHAFFER	GL L SHORT	49" x 53"	56	CYL CH1555
ADJUSTABLE CHAFFER	GL L SHORT	49" x 53"	60	SHI ACH1555
BOTTOM SIEVE	GL L SHORT	45" X 51"	55	SHI BS1555
AIRFOIL CHAFFER	GL L LONG	57" x 53"	61	CYL CH1560
ADJUSTABLE CHAFFER	GL L LONG	57" x 53"	65	SHI ACH1560
BOTTOM SIEVE	GL L LONG	52" x 51"	55	SHI BS1560
AIRFOIL CHAFFER	GL N5, N6, N7, R5, R6, R7, R60, R70	49" x 62"	70	CYL CH1565
ADJUSTABLE CHAFFER	GL N5, N6, N7, R5, R6, R7, R60, R70	49" x 62"	70	SHI ACH1565
BOTTOM SIEVE	GL N5, N6, N7, R5, R6, R7, R60, R70	42" x 61"	60	SHI BS1565
AIRFOIL CHAFFER	GL R 62 LONG, C62, MF8460	64" x 62"	93	CYL CH1566
ADJUSTABLE CHAFFER	GL R 62 LONG, C62, MF8460	64" x 62"	90	SHI ACH1566
BOTTOM SIEVE	GL R 62 LONG, C62, MF8460	57" x 61"	75	SHI BS1566
AIRFOIL CHAFFER	GL R 50	49" x 52"	48	CYL CH1570
ADJUSTABLE SIEVE	GL R 50	49" x 52"	45	SHI ACH1510
BOTTOM SIEVE	GL R 50	42" X 52"	50	SHI BS1570

**Harvest Sieve Replacement Parts**

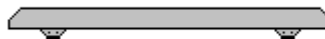
DESCRIPTION	PART NO.
LOUVER FOR TOP ADJUSTABLE SIEVE PLEASE SPECIFY LENGTH NEEDED WHEN ORDERING	SHI ACHCLPLASTIC
LOUVER FOR BOTTOM ADJUSTABLE SIEVE PLEASE SPECIFY LENGTH NEEDED WHEN ORDERING	SHI BSCPLASTIC
CONNECTOR FOR SIEVES	SHI PLCONNECTOR
CRANK FOR SIEVES	SHI PLCRANK
END PINS FOR SIEVES	SHI PLENDCAP
ADJUSTMENT HANDLE FOR SIEVES OLD STYLE (PRE 03)	CYL HANDLE
ADJUSTMENT HANDLE FOR SIEVES NEW STYLE (03)	CYL HANDLE 03

**Ripple Tins, Dividers and Deflectors**



**RIPPLE TINS**

Use on front of Airfoil Chaffer when combining small seeded crops & when spearing is a problem.



**DIVIDERS**

Mount on the chaffer to provide a more even distribution on the chaffer.



**DEFLECTORS**

Keep the grain off the side rails.

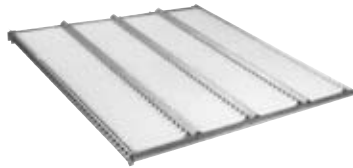
PART NO.	DESCRIPTION	WT
RIPPLE TINS	ORDER RIPPLE TINS USING THE CHAFFER STOCK NUMBER SUBSTITUTING RT FOR CH	5
DIVIDERS		4
DEFLECTORS		2

## FITS GLEANER

### Gateway Sieves - Aluminum Frame, Plastic Finger Adjustable Sieves and Chaffers

#### Aluminum Frame - Plastic Fingers

- Lightweight - up to 50% lighter than OEM
- Rustproof
- Less chaff buildup
- Improved grain cleaning - plastic teeth offer less resistance and work well with both small grain and high yield corn
- Infinitely adjustable slats featuring easy to use adjustment handles
- Available in 2 row-to-row spacing widths:
  - wide (45 mm) for corn and soybeans
  - narrow (33 mm) for smaller cereal grains
- Easy to repair



#### Tooth Design

- $\frac{3}{8}$ " short tooth (ST)
- $\frac{7}{8}$ " long tooth (LT)
- Standard chaffer offered with long tooth and can replace a deep tooth (1- $\frac{1}{4}$ ") slat



#### Modular Construction

- Allows easy and cost-effective repair
- All components are replaceable
- Slat connectors allow precise adjustment - infinite angles and optimal cleaning performance

#### Optional Divider Riser Kit

- For side hill conditions
- 002641 kit mounts to existing risers
- Each kit comes with 12 clips and 24 rivets (divider risers not included)

#### R62 S/N 66001 and up, R72 S/N 76001 and up, R65, R75

Description	Replaces OEM #	Frame Size	Wt.	Panels Rep#/Orig#	Adjusters Rep#/Orig#	Row-to-Row	Tooth	Part No.
Top Chaffer R75 45LT - 4P	71399277	62.44 x 63.97	75	4/6	1/1	45mm (1- $\frac{5}{8}$ ")	long	SHI 002572
Top Chaffer R75 33LT - 4P	71376856	62.44 x 63.97	80	4/6	1/1	33mm (1- $\frac{1}{8}$ ")	long	SHI 002573
Bottom Sieve R75 33ST - 4P	71369796	60.94 x 57.22	75	4/6	1/1	33mm (1- $\frac{1}{8}$ ")	short	SHI 002571
Bottom Sieve R75 33LT - 4P	N/A	60.94 x 57.22	75	4/6	1/1	33mm (1- $\frac{1}{8}$ ")	long	SHI 002574

#### R42 S/N 46001 and up, R52 S/N 56001 and up, R55

Description	Replaces OEM #	Frame Size	Wt.	Panels Rep#/Orig#	Adjusters Rep#/Orig#	Row-to-Row	Tooth	Part No.
Top Chaffer R55 45LT - 3P	71399276	41.67 x 63.97	51	3/4	1/1	45mm (1- $\frac{5}{8}$ ")	long	SHI 002567
Top Chaffer R55 33LT - 3P	71376859	41.67 x 63.97	55	3/4	1/1	33mm (1- $\frac{1}{8}$ ")	long	SHI 002568
Bottom Sieve R55 33ST - 3P	71373464	40.17 x 57.22	51	3/4	1/1	33mm (1- $\frac{1}{8}$ ")	short	SHI 002566
Bottom Sieve R55 33LT - 3P	N/A	40.17 x 57.22	51	3/4	1/1	33mm (1- $\frac{1}{8}$ ")	long	SHI 002569

## FITS GLEANER

### Straw Walkers and Parts

Lip Type Louvres.



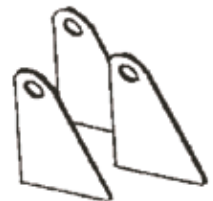
APPLICATION	DESCRIPTION	PART NUMBER
F2 (S/N 36201-49600), F3 (S/N 39201-51001), K2 (S/N 25201-27200)	New Straw Walker	CYL WP71315196
L Series	New Straw Walker	CYL WP71171501
L, L2, L3	New Straw Walker Crank Front 59.5"	CYL WP71309141
L front or rear w/o chopper L2, L3 Rear	New Straw Walker Crank, Rear Ribbed Journal 58.25"	CYL WP71309142
F (Eff S/N 12201), F2, F3	New Straw Walker Crank, Front Front	CYL WP71326246
F (Eff S/N 12201), F2, F3	New Straw Walker Crank, Rear Rear	CYL WP71314742
E, F, G, K, L, M - Series	New Straw Walker Wood Bearing Blocks 2 Req	CYL WP71308646

### Straw Walker Return Pans

APPLICATION	DESCRIPTION	PART NUMBER
L Series	New Walker Return Pan	CYL WP71340744
M Series	New Walker Return Pan, Replaces: CYL 71340743	CYL WPWRPG-M

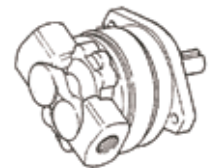
### Straw Chopper Blades

APPLICATION	DESCRIPTION	PART NUMBER
L & M Series	New Straw Chopper Blades, Concave Tooth Set of 3 w/hardware	CYL WP71310275
N, R Series	New Straw Chopper Blade, Inside - 8 Req. (2 Blades, 1/2" x 1 1/4" Bolt) Replaces OE P/N 71355851	CYL WPSCB307S
N, R, Series	New Straw Chopper Blades, Outside - 4 Req. (2 Blades, 1/2" x 3 1/4" Bolt) Replaces OE P/N 71355851	CYL WPSCB307L



### Hydraulic Pumps, Combine

APPLICATION	DESCRIPTION	PART NUMBER
C, G, F, K (w/o reservoir on pump)	New Hydraulic Pump, Single Stage Pump - ID # 24305-LLA	CYL WP71152819
L, L2L M, M2	New Hydraulic Pump, Single Stage Pump - ID #24386 - LAQ	CYL WP71348231
L, L2, L3, M, M2, M3	New Hydraulic Pump, Dual Stage Pump - ID # 24386-LAQ	CYL WP71348232



### Snapper Roll Shafts

APPLICATION	DESCRIPTION	PART NUMBER
Orange & Black frame corn heads	New Snapping Roll Blade, Priced per blade.	CYL WP70586591



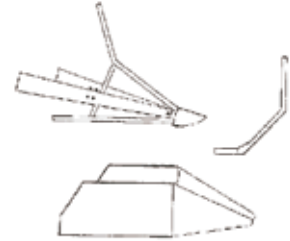
### Cornhead Components

APPLICATION	DESCRIPTION	PART NUMBER
Quick switch 1975 & up, Orange & Black Corn Heads, 1973-1989	Corn Gathering Chain Sprocket, 9 Teeth - 0.94"	CYL WP70557247
Hugger/Universal Hugger Heads	Corn Gathering Chain Sprocket, 8 Teeth - 1.00"	CYL WP71369591H

## FITS GLEANER

### Short/Long Row Crop Dividers

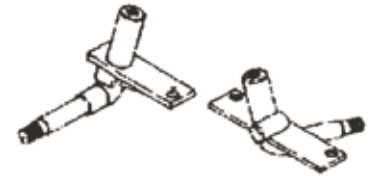
Eliminate costly grain loss from knocked down plants. Change from Short to Long Dividers in minutes. Safer transportation. Easy storage. Sectional design allows you to replace only the damaged piece saving you money.



APPLICATION	DESCRIPTION	PART NUMBER
300 Series Flex Heads	New Complete Set of Dividers Components: Rear Divider (Sheet Metal) 1 Rear Divider (Sheet Metal) 1 Bar 2 New Short Divider Tip 2	CYL WPSCD500AC (Short)  CYL WPSCD100AC-RH CYL WPSCD100AC-LH CYL WPSCD300 CYL WPSCD250
300 Series Flex Heads	New Complete Set of Dividers Components: Rear Divider (Sheet Metal) 1 Rear Divider (Sheet Metal) 1 Bar 2 Front Wing Divider 2	CYL WPSCD400AC (Long)  CYL WPSCD100AC-RH CYL WPSCD100AC-LH CYL WPSCD300 CYL WPSCD200
300 Series Flex Heads	New Short Divider Tip	CYL WPSCD250

### Spindles - Combine

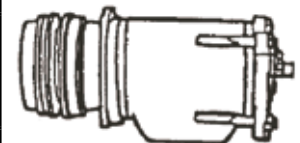
Spindle forgings are made of high grades of alloy steel and assembled to exact designed specifications. All spindles are designed to meet or exceed OEM specifications.



APPLICATION	DESCRIPTION	PART NUMBER
L (Eff S/N 4201), L2 (Prior S/N 17501), M2 (Prior S/N 19901)	New Spindle	CYL WP71182730 (Right Hand)
L2 & L3 (Eff S/N 13001), M3 (Eff New Spindle S/N 25901)	New Spindle	CYL WP71313584 (Right Hand)
N5 (Eff S/N 6101), N6 (Eff S/N 7301), N7 (Eff S/N 4501) - Units w/Heavy Duty Fixed Rear Axle	New Spindle  Spindle Upright Shaft Measures 2 3/4" Dia.	CYL WP71333543 (Right Hand)

### Air Conditioners and Components - Combine

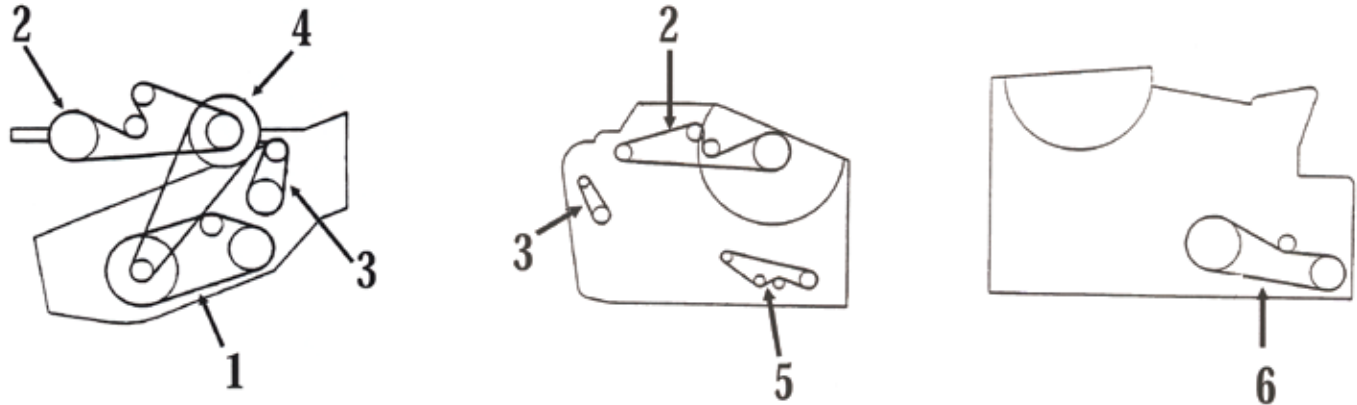
APPLICATION	DESCRIPTION	PART NUMBER
R42 Eff. S/N 49001	New Sanden Compressor 5 1/4" 2-Groove Clutch Vertical Tube O-Ring w/o Charge Parts 72504984	CYL WPX10130
E3 Comfort & LaPorte Cab, F S/N 12201-32201 & Comfort Cab, G Eff. S/N 17001 w/Comfort Cab, K Prior S/N 24200 w/Comfort & LaPorte Cab, L, M	Expansion Valve Flare Replaces: 71162473, 30-3178706	CYL WPX10153
C62, F2, F3, K2, L2, L3, M2, M3, N5, N6, N7, R5, R6, R7, R40, R42, R50, R52, R60, R62, R70, R72	Expansion Valve Block Type Replaces: 4322165, 71307202, 3311533M91, 72275588, 72274512, 71504287, 72162195	CYL WPX10151





**FITS GLEANER**

**Belt - Headers**



Q Power® Belts, when you can't stop, you need the belt that won't stop. American made Q Power® Belts belts are designed to keep you and your equipment in the field. No matter what the crop... beans to corn, no matter what the conditions ... muddy to dry. Q Power® Belts keeps you running. No other belt can stand up to the demand of your equipment and your schedule better than Q Power® Belts.

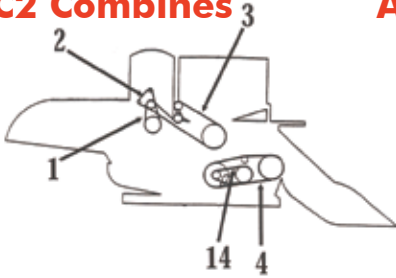
NUMBER	APPLICATION	DESCRIPTION	PART NUMBER
1	F2, F3, K2	Conveyor Drive	BEV C69
2	F2 (20' w/Vari-sped & HD Reel Drive) (Prior S/N 65001) - Left Hand, L, M, MH - Right or Left Hand	Reel Drive	BEV C144
2	F2, F3, K2 - (Prior S/N 65001) w/Vari-Speed, F2, F3, K2 - Left Hand w/o Vari-Speed		BEV B124
2	F, K - Vari-Speed Long Arms, G, GH - Short Arms	Reel Drive	BEV C128
3	A, R, C, C2, CR, CH (Eff S/N 5001), E3, F Rice, F2, F3, K, K2 (Short Arms), L, L2 M2 (Prior S/N 48000), MH2 (Prior S/N 51505)	Reel Drive, Vari-Speed	BEV QP71135618
4	F2, F3, K2	Reel Drive, Intermediate Std	BEV B79
5	E3, K, K2, MH	Draper Pick Up Drive, 3 Roll	CYL WP70519731
6	20' 22' 24' - L, M - Eff S/N 6001, L2, L3, M2, M3, MH2 (Eff header S/N 18401)	Conveyor Drive	BEV B71 (2 required)



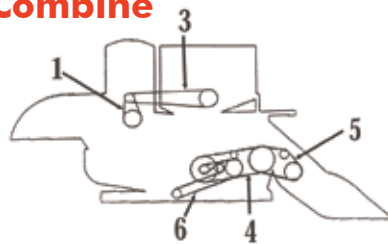
## FITS GLEANER

Belt - A, C, C2, E

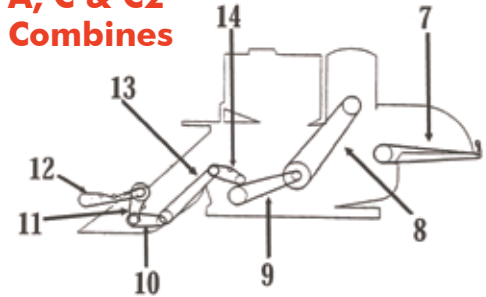
### Right Hand View C & C2 Combines



### Right Hand View A Combine



### Left Hand View A, C & C2 Combines



Q Power® Belts, when you can't stop, you need the belt that won't stop. American made Q Power® Belts belts are designed to keep you and your equipment in the field. No matter what the crop... beans to corn, no matter what the conditions ... muddy to dry. Q Power® Belts keeps you running. No other belt can stand up to the demand of your equipment and your schedule better than Q Power® Belts.

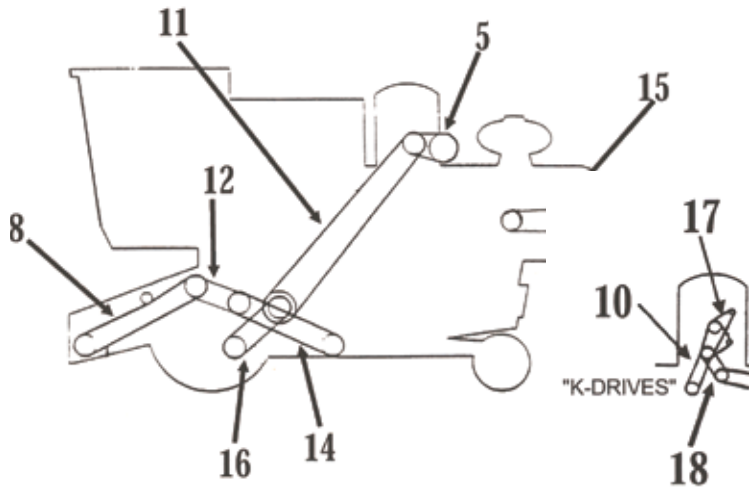


NUMBER	APPLICATION	DESCRIPTION	PART NUMBER
1	A (S/N 14053-26500)	Hydraulic Pump	CYL WP71117027
1	A (S/N 26501-30000)	Hydraulic Pump	CYL WP71128092
1	C, C2	Hydraulic Pump	CYL WP71152608
2	C, C2	Generator & Fan	CYL WP74512419
3	C, C2	Bin Uploader	CYL WP71129986
4	A	Pivot Drive	BEV D128
4	C, C2	Pivot Drive	CYL WP71135970
5	C, C2	Countershaft	BEV D72
6	A	Separator Fan	BEV CC128
7	A	Spreader Drive	CYL WP71116054
8	A (S/N 14053-30000)	Main Drive	CYL WP71117540
8	C, C2	Main Drive	CYL WP71125974
8	E	Main Drive	BEV QP71153532
9	A (S/N 14053-30000), C, C2	Traction Drive	BEV QP71170490
10	A (S/M 14053-30000), C, C2 (Eff S/N 7001)	Conveyor Drive	BEV C72
11	C, C2 (Eff S/N 7001)	Reel Drive, Intermediate	BEV B79
11	A (S/N 14053-30000), E (Prior S/N 6001)	Reel Drive, Intermediate	BEV B75
12	A (S/N 14053-30000), C, C2 (Eff S/N 7001)	Reel Drive	BEV B124
13	C, C2 (Eff S/N 7001)	Harvester Drive	CYL WP71132108
14	A, C, C2 (Eff S/N 7001)	Countershaft	BEV D72

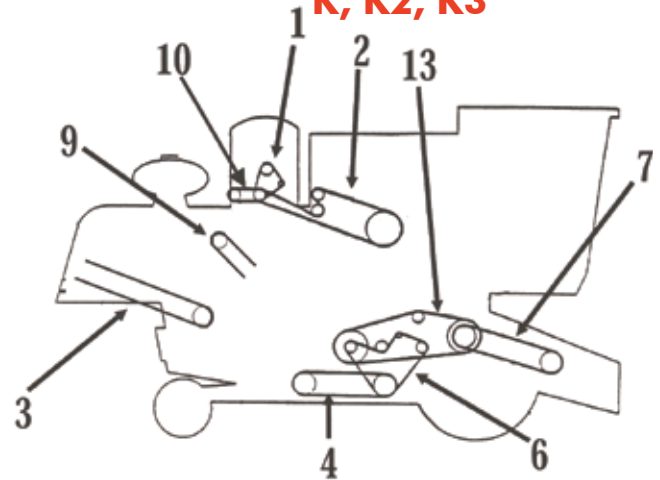
**FITS GLEANER**

Belt - K, K2, E3

**Left Hand View  
K, K2, K3**



**Right Hand View  
K, K2, K3**



NUMBER	APPLICATION	DESCRIPTION	PART NUMBER
1	K2	Alternator	CYL WP71139187
2	K, K2	Bin Unloader	CYL WP71339772
2	E3	Bin Unloader	CYL WP71139962
3	K2 (Prior S/N 25201)	Chopper Drive	CYL WP71136325
3	K2 (Eff S/N 25201)	Chopper drive	CYL WP71302279
3	K, E3	Chopper Drive	CYL WP71142831
4	K	Cleaner Fan, Standard	BEV QP71146659
4	K	Cleaner fan, High Speed	CYL WP71177255
5	K, K2	Compressor, A/C	CYL WP71193749
5	E3 (Eff S/N 5001-8200), K (Eff S/N 5001-12201)	Compressor, A/C Comfort Cab	CYL WP 71152788
5	E3 (Eff S/N 8201), K (Eff S/N 12201)	Compressor, A/C Laport Cab	CYL WP71166813
5	E3 (Prior S/N 5001), K (Prior S/N 5001)	Hydraulic Pump, w/o Pwr Steering	CYL WP71142239
6	E3	Countershaft	BEV C83
6	K	Countershaft	CYL WP71177548
6	K2	Countshaft, Separator Fan	CYL WP71188075
7	K (907-1383RPM), K2 (Eff S/N 5001)	Cylinder Drive, Std 803-1343 RPM	CYL WP71147547
7	K, K2	Traction, Hydro	BEV QP71147546
7	K, K2	Cylinder Drive 596-908 RPM	CYL WP71146000
8	K, K2, E3 (Vari-Speed)	Draper Drive, 2 Roll	CYL WP71130442
8	K, K2, E3 (Vari-Speed)	Draper Drive, 3 Roll	CYL WP70519731
8	K (Prior S/N 8201), E3	Header Drive	CYL WP71138949
8	K, K2 (Eff S/N 8201)	Header Drive, Std.	CYL WP71132108
8	K (Eff S/N 8201), K2 (Eff S/N 8201)	Header Drive, Vari-Speed	CYL WP71172514

## FITS GLEANER

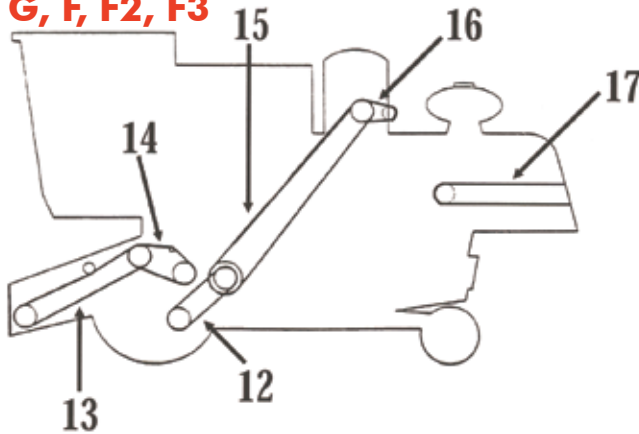
### Belt - K, K2, E3 (con't)

NUMBER	APPLICATION	DESCRIPTION	PART NUMBER
9	K, E3	Grain Saver, Air Flow Gas	CYL WP70563619
9	K2 GAS	Grain Saver, Air Flow	BEV A128
10	K, E3 (Eff S/N 12201)	Compressor, A/C	CYL WP71142239
10	K2 (Eff S/N 25201)	Hydraulic Pump	CYL WP71300400
10	K2 (Prior S/N 25201)	Hydraulic Pump, Gas	CYL WP71146714
10	K (Prior S/N 12201)	Hydraulic Pump, w/Pwr Steering	CYL WP71146713
10	E3	Hydraulic Pump, w/Pwr Steering	CYL WP71131774
11	E3	Main Drive	CYL WP71139960
11	K (Eff S/N 12201)	Main Drive	CYL WP71170690
11	F2, F3 (Eff S/N 39201), K2	Main Drive	BEV QP71189170
11	K (Prior S/N 12201)	Main Drive	CYL WP71139961
11	K2	Main Drive, Gas	BEV QP71153532
12	K, K2	Pivot Drive, Gas	BEV 072
13	K, K2, E3	Pivot, Right Hand	BEV QP71139966
14	E3	Separator Fan	BEV C89
15	K2 (Prior S/N 25201)	Spreader Drive	CYL WP1127198
15	K2 (Eff S/N 25201)	Spreader Drive	CYL WP71308584
16	K2	Traction Drive, Standard	BEV QP71318378
16	F, K, E3	Traction Drive, Non-Hydro	BEV QP71139963
17	K, K2	Governor Gas	CYL WP71146702
18	K (Eff S/N 12201)	Countershaft, PTO	CYL WP71148119
18	K Gas	Countershaft, PTO	CYL WP71170283
18	K2 (Eff S/N 25201 Gas)	Countershaft, PTO	CYL WP71170678
18	K2 Diesel	Countershaft, PTO	CYL WP71300399

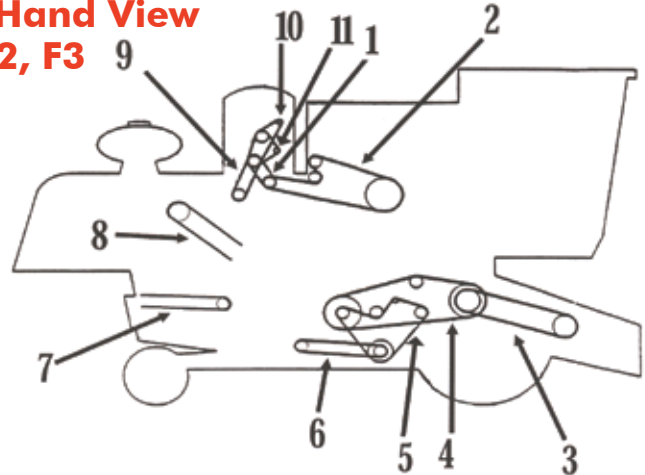
**FITS GLEANER**

Belt - G, F, F2, F3

**Left Hand View**  
**G, F, F2, F3**



**Right Hand View**  
**G, F, F2, F3**



NUMBER	APPLICATION	DESCRIPTION	PART NUMBER
1	F Gas (S/N 12201-25800)	Countershaft PTO	CYL WP71148119
1	F Gas (S/N 25801)	Countershaft PTO	CYL WP71170678
1	F2 Gas (S/N 39201)	Countershaft PTO	CYL WP71170678
1	F2 Gas (S/N 39201-48200)	Countershaft PTO	CYL WP71300398
1	F2 Diesel (S/N 39201)	Countershaft PTO	CYL WP71300399
2	G	Bin Uploader	BEV C131
2	F (Prior S/N 12201)	Bin Uploader	CYL WP71139962
2	F Gas (Eff S/N 12201), F2, F3 Gas, Diesel (Eff S/N 39201)	Bin Uploader	CYL WP71339772
2	F2 (Prior S/N 39201)	Bin Uploader	BEV C156
3	F Std (S/N 9001-12201), F 980-1383 RPM (Eff S/N 12201), F2, F3, F2 803-1343 RPM, F3 803-1343 RPM, G 803-1343 RPM (Eff S/N 12201), K908-1383 RPM	Cylinder 907-1383 RPM	CYL WP71147547
3	F9Eff S/N 12201), K, K2	Cylinder 387-590 RPM	BEV QP71147546
3	(G, GH) (Eff S/N 12201)	Cylinder Drive 633-1059 RPM	CYL WP71145999
3	F2, F3	Cylinder Drive 499-834 RPM	CYL WP71175575
3	F2, F3, G - (Eff S/N 12201), GH (Eff S/N 17001), K2	Cylinder Drive, Slow Speed 412688 RPM	CYL WP71151777
3	G (Eff S/N 12201)	Cylinder Drive 803-1343 RPM	CYL WP71147547
3	F (Eff S/N 12201), F RICE, K, K2	Cylinder 596-908 RPM	CYL WP71146000
3	F2, F3	Cylinder Drive 633-1059 RPM	CYL WP71145999
3	A, A2, C, C2, E, F (Prior S/N 5001), G (Prior S/N 12201)	Cylinder, Std	CYL WP71125981
4	F2, F3	Pivot, Right Hand	BEV QP71157414
4	F RICE	Pivot, Right Hand	BEV QP71139966
5	F (Prior S/N 5001)	Countershaft	BEV C83
5	F	Countershaft	CYL WP71177548
5	(F2, F3) (RH) Set	Countershaft, Separator Ran	CYL WP71188075
5	F	Countershaft	CYL WP71146271
6	F RICE	Cleaner Fan	BEV QP71146659
6	F (Eff S/N 5001)	Cleaner Fan, Hi-Speed	CYL WP71177255

## FITS GLEANER

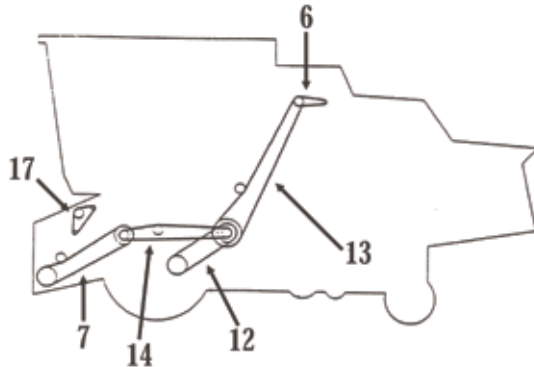
### Belt - G, F, F2, F3 (Con't)

NUMBER	APPLICATION	DESCRIPTION	PART NUMBER
6	F (Prior S/N 5001)	Separator Fan	BEV C89
7	F2, F3 (Eff S/N 39201)	Chopper Drive	CYL WP71302279
7	F2 (Prior S/N 39201)	Chopper Drive	CYL WP71136325
7	F	Chopper Drive	CYL WP71142831
8	F2, F3 - (Eff S/N 39201)	Grain Saver, Air Flow	BEV A128
8	F (Eff S/N 12201)	Grain Saver, Air Flow	BEV A90
8	F (Eff S/N 12201)	Grain Saver, Air Flow	CYL WP70563619
8	F (Prior S/N 12201)	Grain Saver, Air Flow Gas	CYL WP70559863
8	F2, KS	Grain Saver, Air Flow, Field Installed	BEV A120
9	F2, F3 -(Eff S/N 48201)	Hydraulic Pump	CYL WP71141744
9	F2 (S/N 39201-48200)	Hydraulic Pump	CYL WP71300400
9	F2 (Prior S/N 39201)	Hydraulic Pump	CYL WP71146714
10	F (Eff S/N 12201), F2	Governor, Gas	CYL WP71148120
11	F2 (Eff S/N 39201), F3 (Eff S/N 39201)	Alternator	CYL WP71139187
11	F2 (Prior S/N 39201)	Alternator	CYL WP71193420
11	F (Eff S/N 12201)	Generator	CYL WP71154358
12	F (Eff S/N 9001), F2 (Prior S/N 48201)	Traction Drive, Hydro	BEV QP71147546
12	F2 (Eff S/N 39201), f3	Traction Drive, Hydro	CYL WP71161595
12	G	Traction Drive	CYL WP71140810
12	F2, F3	Traction Drive	BEV QP71318378
12	F, K, E3	Traction Drive, Non-Hydro	BEV QP71139963
13	F, F2, F3	Header Drive, Vari-Speed	CYL WP1172514
13	F RICE (w/o Vari-Speed), F2, F3	Header Drive, Std w/o Vari-Speed	CYL WP71132108
14	F, F2	Pivot Drive, Left Hand	BEV D72
15	F, F GAS (Prior S/N 12201), F RICE, K (Prior S/N 12201)	Main Drive, Diesel	CYL WP71139961
15	F2, F3 - (Eff S/N 39201), K2	Main Drive, Diesel	BEV QP71189170
15	F2 (Prior S/N 39201)	Main Drive	CYL WP71194122
15	F (S/N 12201-25800)	Main Drive, Gas	CYL WP71167409
15	F (Eff S/N 25801)	Main Drive, Gas	CYL WP71183767
15	F2 (S/N 39201-48200)	Main Drive, Gas	CYL WP71192495
15	F2 (Prir S/N 39201), K2	Main Drive, Gas	BEV QP71153532
16	F2 (Eff S/N 39201), F3 (Eff S/N 39201)	Compressor, A/C	CYL WP71193749
16	F (Prior S/N 12201)	Compressor, A/C Stolper Cab	CYL WP71142239
17	F (Eff S/N 12201), F2 (Prior S/N 39201)	Spreader	CYL WP71160836
17	F (S/N 5001-12200), F RICE	Spreader, Single	CYL WP71140991

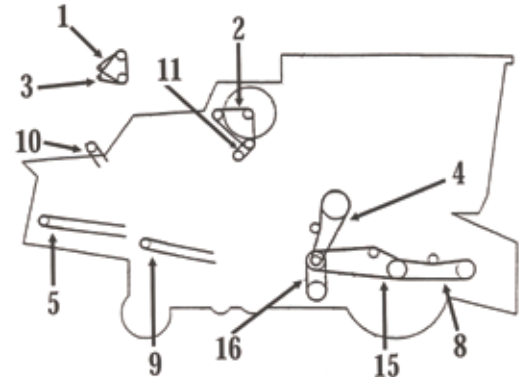
**FITS GLEANER**

Belt - L, L2, L3

**Left Hand View  
L, L2, L3**



**Right Hand View  
L, L2, L3**



NUMBER	APPLICATION	DESCRIPTION	PART NUMBER
1	L2, L3	Alternator, Upper D2900/649	CYL WP1193420
1	L	Alternator, Dual D2900	CYL WP71167004
1	L, L2	Alternator, Dual Upper D3500/670T	CYL WP71186454
2	L (Prior S/N 2601)	Alternator, Dual/Single (Set)	CYL WP71165501
2	L, L2	Alternator, D3500/670T, Hd, 110 Amp (Set)	CYL WP71195451
2	L, L2	Alternator, D3500/670T, 105 Amp (Set)	CYL WP71181482
2	L (Prior S/N 4201)	Alternator, D2900	CYL WP71172696
2	L (Eff S/N 4201)	Alternator, D2900 Single	CYL WP71159298
2	L2	Alternator, D2900/649 Hvy Duty	CYL WP71303453
2	L2	Alternator, D2900/649T	CYL WP71193733
2	L (Eff S/N 2601)	Alternator, Dual/Single	CYL WP71175751
3	L, L2, L3	Alternator, D2900/649, Dual-Lower	CYL WP71184327
3	L, L2, L3	Alternator, D3500-670T, Lower Dual	CYL WP71184961
4	L (Prior S/N 9001)	Bin Unloader	CYL WP71177597
4	L, L2, L3 -(Eff S/N 9001)	Bin Unloader	CYL WP71187728
5	L, L2, L3 -(Prior S/N 17501)	Chopper, Straw	CYL WP71173472
5	L2 (Eff S/N 17501), L3	Chopper, Straw	CYL WP71300867
6	L2, L3	Compressor, A/C	CYL WP71193749
6	L	Compressor, A/C	CYL WP71166813
7	L (Prior S/N 4201)	Countershaft, Header Vari-Speed	CYL WP71173822
7	L	Countershaft, Thrshr w/Std Hdr Drv	CYL WP71309214
7	L, L2, L3 (S/N 4201-9183)	Countershaft, Thrshr Vari-Spd w/Pin	BEV QP71300996
8	L, L2 (Prior S/N 17501)	Cylinder Drive 415-680 RPM	CYL WP71161596
8	L, L2 (Prior S/N 17501)	Cylinder Drive 503-834 RPM	CYL WP71175989
8	L, L2 (Prior S/N 17501)	Cylinder Drive 639-1036 RPM	CYL WP71161595
8	L2 (Eff S/N 17501), L3	Cylinder Drive 804-1318 RPM	CYL WP71337795
8	L, L2 (Prior S/N 17501)	Cylinder Drive 804-1318 RPM	BEV QP71147546



## FITS GLEANER

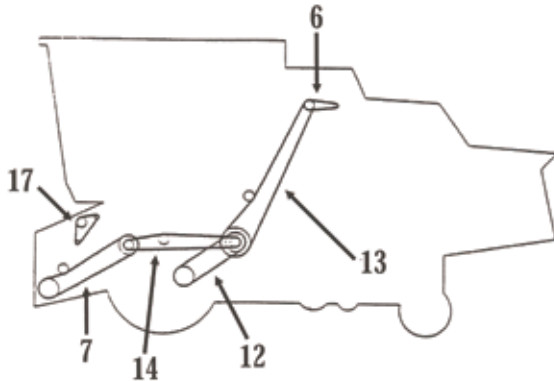
### Belt - L, L2, L3 (Con't)

NUMBER	APPLICATION	DESCRIPTION	PART NUMBER
8	L2	Cylinder Drive 804-1318 RPM	BEV QP71188635
9	L2 (S/N 13001-17500) w/o Chopper	Grain Saver, Air Flow, Lower	CYL WP71178442
10	L2, L3	Grain Saver, Air Flow, Upper	BEV A110
10	L	Grain Saver, Air Flow, Upper	BEV B162
10	L2 (S/N 13001-17500)	Grain Saver, Air Flow, Upper	CYL WP71190876
11	L	Hyd Pump Drive w/ 2 1/2" Hdr Lift Cyl	CYL WP71173232
11	L2 (Eff S/N 19501), L3	Hyd Pump Drive w/3" Hdr Lift Cyl	CYL WP71317254
11	L	Hyd Pump Drive 2/3" Hdr Lift Cyl Gas	CYL WP71175687
12	L3 (Eff S/N 28350)	Traction Drive, Hydro	CYL WP71342142
12	L (Prior S/N 2601)	Traction Drive, Hydro	CYL WP71161596
12	L2 (Prior S/N 15501)	Traction Drive, Hydro	BEV 3RB120
12	L2 (S/N 15501-28349), L2 RICE (Eff S/N 13001), L3	Traction Drive, Hydro	BEV QP71188636
12	L2, L3	Traction Drive, Non-Hydro	BEV QP71188155
12	L (Prior S/N 2601)	Traction Drive, Standard	CYL WP71161806
12	L (Eff S/N 2601)	Traction Drive, Standard	CYL WP71167114
13	L (Eff S/N 2601), L2, L3	Main Drive, Diesel	BEV QP71173998
13	L (Prior S/N 2601)	Main Drive, Diesel	BEV QP71153532
13	L	Main Drive, Gas	CYL WP71166932
14	L, L2, L3	Pivot, Left Hand	CYL WP71164177
15	L, L2 -(Prior S/N 17501)	Pivot, Right Hand	BEV QP71164350
15	L2 (Eff S/N 17501), L3	Pivot, Right Hand	BEV QP71194500
16	L (Prior S/N 2601)	Separator Fan	BEV A74
16	L, L2, L3 - (Eff S/N 2601)	Separator Fan	BEV B73
17	L2 (Eff S/N 17501), L3	Thresher Beater	CYL WP71309140

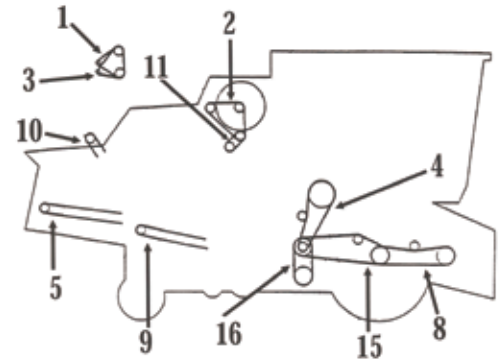
**FITS GLEANER**

**Belt - M, M2, M3, MH, MH2, MH3**

**Left Hand View  
M, M2, M3, MH, MH2, MH3**



**Right Hand View  
M, M2, M3, MH, MH2, MH3**



NUMBER	APPLICATION	DESCRIPTION	PART NUMBER
1	M, MH	Alternator, D2900 Dual-Upper	CYL WP1167004
1	M2, M3	Alternator, Dual-Upper	CYL WP71193420
2	M2, MH2	Alternator, D2900/649T	CYL WP71193733
2	M (Eff S/N 4201), MH D2900 (Eff S/N 4201)	Alternator, Single	CYL WP71159298
2	M2, M3 (S/N 15401-25900)	Alternator, Heavy-Duty 649T	CYL WP1303453
2	MH, MH2, MH3	Alternator, D3500-670T Lower Dual	CYL WP71184961
2	M	Alternator, Single/Dual Gas	CYL WP71165501
2	MH, MH2, MH3	Alternator, Dual D3500/670 Upper	CYL WP71186454
2	MH2	Alternator, Dual D2900/649T Upper	CYL WP71193420
3	M2, M3	Alternator, Single, Heavy Duty	CYL WP71181482
3	M, M2, M3, MH, MH2, MH3 - (D2900/649T)	Alternator, Dual - Lower	CYL WP71184327
3	MH2	Alternator, D3500/670, Heavy Duty	CYL WP71195451
4	M, MH - (Prior S/N 11401)	Bin Uploader	CYL WP71177597
4	M, MH, MH2, MH3 - (Eff S/N 11401)	Bin Uploader	CYL WP71187728
4	MH3 (Eff S/N 25901)	Bin Uploader	CYL WP71339768
5	M, M2, MH, MH2, MH3 - (Prior S/N 19901)	Chopper, Straw	CYL WP71173472
5	M, MH2, MH3 - (Eff S/N 19901)	Chopper, Straw	CYL WP71300867
5	M, Mh	Spreader, Straw	CYL WP71172562
5	M2, M3, MH2, MH3	Spreader, Straw	CYL WP71176400
6	M, MH	Compressor, A/C	CYL WP71166813
6	M2, M3, MH2, MH3	Compressor, A/C	CYL WP71193749
7	M, M2, M3	Countershaft, Thresher (w/Std Hdr)	CYL WP71309214
7	M, M2, M3	Countershaft, Thresher (w/var-speed)	BEV QP71300996
7	MH, MH2, MH3	Countershaft, Thresher (Pvt to Cntr)	CYL WP71179490
8	M, M2 - (639-1046RPM), MH, mH2, MH3 - (412-688RPM) (Prior S/N 19901)	Cylinder Drive	CYL WP71161595
8	M, M2 - (503-834), MH, MH2 - (Prior S/N 199010)	Cylinder Drive 499-834 RPM	CYL WP71175989
8	M, M2, MH, MH2	Cylinder Drive 804-1343 RPM	BEV QP71147546
8	M3 (Non-Hydro), MH2, MH3 (Eff S/N 19901)	Cylinder Drive 804-1318 RPM	CYL WP71337795

## FITS GLEANER

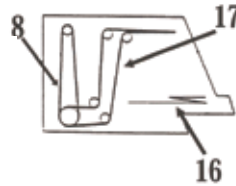
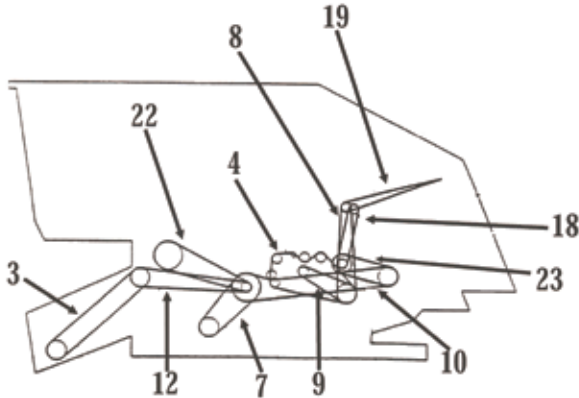
### Belt - M, M2, M3, MH, MH2, MH3 (Con't)

NUMBER	APPLICATION	DESCRIPTION	PART NUMBER
8	M2 (S/N 19901-24700)	Cylinder Drive 804-1318 RPM	BEV QP71188635
9	M Chopper (Prior S/N 15401), M2, M3 - (S/N 18401-19900)	Grain Saver, Air Flow, Lower	CYL WP71178442
9	M2, M3 (w/o Chopper) (S/N 19901-25900)	Grain Saver, Air Flow, Lower	CYL WP71300867
10	M	Grain Saver, Air Flow, Upper	BEV B162
10	M2, M3 (S/N 18401-19900)	Grain Saver, Air Flow, Upper	BEV A110
10	M2, M3 (S/N 1840-25900)	Grain Saver, Air Flow, Upper	CYL WP71190876
11	M2 (Eff S/N 22101), M3	Hyd Pump Drive	CYL WP71317254
11	M, M2, M3 - (Prior S/N 22101)	Hyd Pump Drive w/2 1/2" Hdr Lift cyl Dsl	CYL WP71173232
11	M	Hyd Pump Drive w/3" Hdr Lift Cyl Gas	CYL WP71175686
11	M, M2, M3	Hyd Pump Drive	BEV QP71153532
11	M (Gas)	Hyd Pump Drive w/2 1/2" Hyd Lift Cyl	CYL WP71172977
11	M, M2, M3 (Diesel) (Prior S/N 22101)	Hyd Pump Drive w/3" Hyd Lft Cyl	CYL WP71175687
11	MH, MH2, MH3	Hyd Pump Drive	CYL WP71327638
12	M, M2 - (Prior S/N 18401), MH (Prior S/N 11401)(2V)	Traction Drive, Hydro	CYL WP71177548
12	M3 (Eff S/N 263010)	Traction Drive, Hydro	CYL WP71342214
12	MH, MH2, MH3 - (Eff S/N 11401)	Traction Drive, Hydro (D3500/670T)	BEV QP71188636
12	M2, M3	Traction Drive, Standard	BEV QP71188155
12	M	Traction Drive, Standard	CYL WP71167114
12	M2, M3 (S/N 18401-26300)	Traction Drive, Hydro	BEV QP71188635
12	MH, MH2, MH3 (Eff S/N 11401) (2V)	Traction Drive, Hydro (D2900/649T)	CYL WP1188635
13	M, M2, M3, MH2, MH3 - (D2900/649T)	Main Drive (2V) D2900/649T	BEV QP71153532
13	MH, MH2, MH3	Main Drive (3V) D3500/670T	BEV QP71173998
14	M, M2, M3, MH, MH2, MH3	Pivot, Left Hand1	CYL WP71164177
15	M, M2, MH, MH2, MH3 - (Prior S/N 19901)	Pivot, Right Hand	BEV QP71164350
15	(M2, MH2, MH3) (Eff S/N 19901), M3	Pivot, Right Hand	BEV QP71194500
16	M, Mw, M3, MH, MH2, MH3	Separator Fan	BEV B73
17	M2, M3 (Eff S/N 19901), MH2 (Eff S/N 21901)	(Thresher Beater when belt drive is used)	CYL WP71309140
	MH, MH2, MH3	Countershaft, Swivel	CYL WP71192282

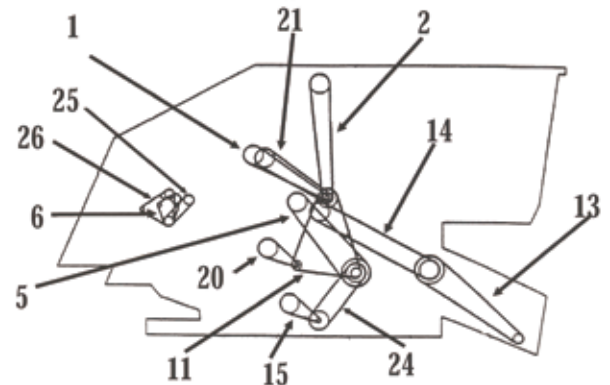
**FITS GLEANER**

**Belt - N5, N6, N7, R5, R6, R7**

**Left Hand View  
N5, N6, N7, R5, R6, R7**



**Right Hand View  
N5, N6, N7, R5, R6, R7**



NUMBER	APPLICATION	DESCRIPTION	PART NUMBER
1	N6 (Prior S/N 1501)	Cage Sweep	CYL WP71301877
1	N5, N6 (Eff S/N 1501), N7, R5, R6, R7	Cage sweep	CYL WP71312339
2	N5, N6, N7, R5, R6, R7	Clean Grain Elevator	CYL WP71325847
3	N5 (Eff S/N 4501), N6 (Eff S/N 5101), N7 (Eff S/N 2501)	Header Drive, Constant Speed	CYL WP71320449
3	N5 (Prior S/N 4501), N6 (Prior S/N 5101), N7 (Prior S/N 2501)	Header Drive, Constant Speed	CYL WP71301859
3	N5 (Eff S/N 4501), N6 (Eff S/N 5101), N7 (Eff S/N 2501), R5, R6, R7	Header Drive, Vari-Speed	BEV QP71316268
3	N5 (Prior S/N 4501), N6 (Prior S/N 5101), N7 (Prior S/N 2501)	Header Drive, Vari-Speed	CYL WP71197876
4	N5, N6, N7, R5, R6, R7	Cylinder Auger Drive	CYL WP71319657
5	N5, N6, N7, R5, R6, R7	Cylinder Drive	BEV QP71364789
6	N5, N6, R5, R6	Radiator Fan	CYL WP71302482
7	R7	Hydro Drive	CYL WP71342143
7	N5, N6, R5, R6	Hydro Drive	CYL WP71197999
7	N7	Hydro Drive	CYL WP71310381
8	N5 (Eff S/N 1702), N6 (Eff S/N 2371), N7 (Eff S/N 1262)	Impeller Drive	CYL WP71322418
8	R5 < R6, R7	Impeller Drive	CYL WP71358134
8	N5, N6, N7	Impeller Drive	CYL WP71313804
9	N5 (Eff S/N 1702), N6 (Eff S/N 2371), N7 (Eff S/N 1262) R5, R6, R7	Jackshaft Drive, Impeller	CYL WP71313804
10	N7	Main Drive	CYL WP71307200
10	N6 (Prior S/N 5101)	Main Drive	CYL WP71314273
10	N5, N6 (Eff S/N 5101)	Main Drive	CYL WP71336997
11	N5 (Prior S/N 4501), N6 (Prior S/N 5101), N7 (Prior S/N 2501)	Overfeed Auger Drive	BEV QP71309685
11	N5 (Eff S/N 4501), N6 (Eff S/N 5101), N7 (Eff S/N 2501)	Overfeed Auger Drive	CYL WP71325150
12	N5, N6, N7, R5, R6, R7	Pivot Drive, Left Hand	CYL WP71310382
13	N5 (Eff S/N 4501), N6 (Eff S/N 5101), N7 (Eff S/N 2501), R5, R6, R7	Pivot Shaft Drive	CYL WP71316263
13	N5 (Prior S/N 65101), N7 (Prior S/N 72501)	Pivot Shaft Drive	CYL WP71309150
14	N5, N6, N7, R5, R6, R7	Rear Feed Conveyor	CYL WP71326830

## FITS GLEANER

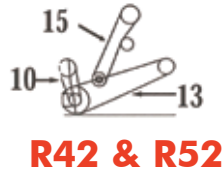
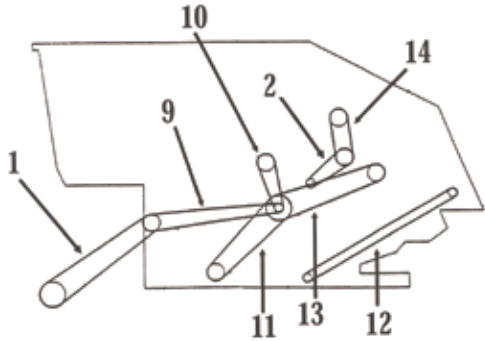
### Belt - N5, N6, N7, R5, R6, R7 (Con't)

NUMBER	APPLICATION	DESCRIPTION	PART NUMBER
15	N5, N6, N7, R5, R6, R7	Shoe drive	CYL WP71336307
16	R5, R6, R7	Spreader	CYL WP71347561
17	R5, R6, R7 - (w/o Chopper)	Spreader Jackshaft Drive	CYL WP71347560
18	N5, N6, N7, R5, R6, R7	Straw Chopper Drive	CYL WP71358486
19	N5, N6, N7, R5, R6, R7	Straw Chopper Drive	CYL WP71326253
19	N5, N6, N7, R7	Spreader Drive, Rear Hood	CYL WP71334919
20	N5, N6, N7, R5, R6, R7	Tailings Drive	CYL WP71346200
21	N5, N6, N7, R5, R6, R7	Tailings Return	CYL WP71337000
22	N5, N6, N7, R5, R6,, R7	Unloader Drive, Left Hand	CYL WP71310380
23	N5, N6, N7, R5, R6, R7	Straw Chopper, Jackshaft	CYL WP71344935
27	N5, N6, N7, R5, R6, R7	Separator Fan Drive	BEV C83
25	N5, N6, R5, R6	Compressor Drive	CYL WP71193420
25	N7, R7	Compressor Drive	CYL WP71315910
26	N7	Alternator, Standard 105 Amp	CYL WP71175687
26	N5 (S/N 4501-5400), N6 (S/N 5105-6200)	Alternator, 110 Amp	CYL WP71186454
26	N5 (S/N 4501), N6, (S/N 5101)	Alternator, Hvy Duty	CYL WP71306200
26	N5 (S/N 4501), N6 (S/N 5101)	Alternator, Standard	CYL WP71311927
26	N5 (S/N 5401), N6 (S/N 6201)	Alternator, 105 Amp	CYL WP71336137
26	R7	Alternator (Set)	CYL WP71175687
NI	N5 (Prior S/N 3001), N6 (Prior S/N 3501), N7 (Prior S/N 1701)	Unloader Drive, Right Hand	CYL WP71177795

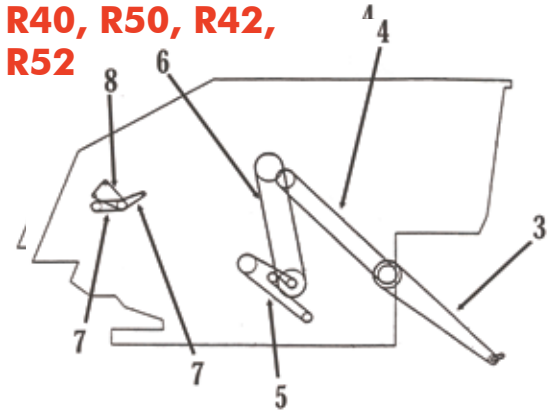
**FITS GLEANER**

**Belt - R40, R50, R42, R52**

**Left Hand View  
R40, R50, R42, R52**



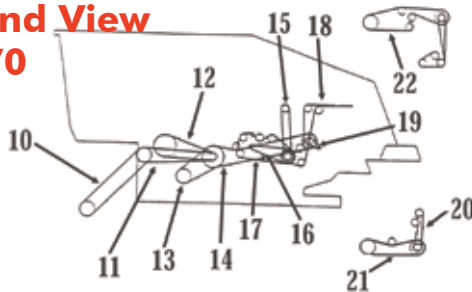
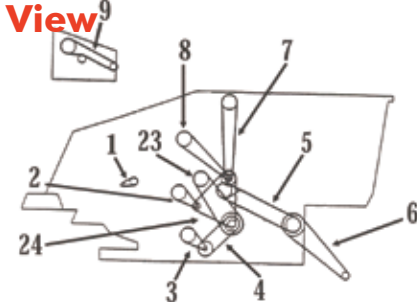
**Right Hand View  
R40, R50, R42,  
R52**



NUMBER	APPLICATION	DESCRIPTION	PART NUMBER
1	R40, R50	Header Drive, Constant Speed	CYL WP71320449
1	R40, R50	Header Drive, Vari-Speed	BEV QP71316268
1	R42, R52	Header Drive, Vari-Speed	CYL WP71375178
1	R42, R52	Header Drive, Constant Speed	CYL WP7134514
2	R40, R50, R42, R52	Jackshaft Drive	CYL WP71333673
3	R42, R52	Pivot Shaft Drive, Right Hand	CYL WP71364155
3	R40 (Eff S/N 2001), R50 (Eff S/N 3501)	Pivot Shaft Drive, Right Hand	CYL WP71354198
3	R40 (Prior S/N 2001), R50 (Prior S/N 3501)	Pivot Shaft Drive, Right Hand	CYL WP71316263
4	R40, R50, R42, R52	Rear Feed Conveyor	CYL WP71335475
5	R40, R50, R42, R52	Separator Drive	CYL WP71358255
6	R40, R50, R42, R52	Cylinder Drive, Vari-Speed	BEV QP71335788
7	R40, R50, R42, R52	Alternator	CYL WP71352139
8	R40, R50, R42, R52	Compressor Drive	CYL WP71352729
9	R40, R50, R42, R52	Pivot Jack Shaft Drive 2 Groove	CYL WP71355232
10	R40, R50, R42, R52	Bin Unloader Drive	CYL WP71364922
11	R40, R50, R42, R52	Hydro Drive	CYL WP71364912
12	R40, R50, R42, R52	Straw Spreader Drive	CYL WP71355170
13	R50, R52	Main Drive	CYL WP71351260
14	R40, R50	Chopper & Impeller Drive	CYL WP71336199
15	R42, R52	Chopper & Impeller Drive	CYL WP71363968

## FITS GLEANER

## Belt - R60, R70

Left Hand View  
R60, R70Right Hand View  
R60, R70

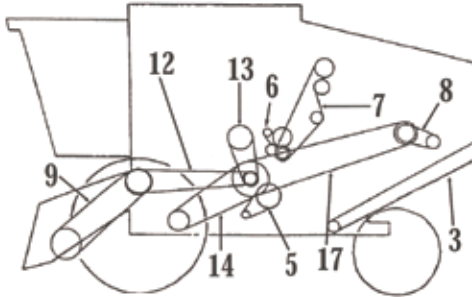
NUMBER	APPLICATION	DESCRIPTION	
1	R60, R70	Alternator	CYL WP71352142
2	R60, R70	Tailings Drive	CYL WP71345785
3	R60, R70	Shoe Drive	CYL WP71336307
4	R60, R70	Fan Drive	BEV C83
5	R60 (Eff S/N 16501), R70 (Eff S/N 12501)	Rear Feed Conveyor	CYL WP71345800
6	R60 (Prior S/N 16501), R70 (Prior S/N 12501)	Pivot Drive Shaft	CYL WP71316263
6	R60 (Eff S/N 16501), R70 (Eff S/N 12501)	Pivot Drive Shaft	CYL WP71354198
7	R60, R70	Clean Grain Elevator	CYL WP71325847
8	R60, R70	Cage Sweep	CYL WP71312339
9	R60 (Prior S/N 16501), R70 (Prior S/N 12501)	Tailings Drive, w/Tailings Ret Option	CYL WP71345785
9	R60 (Eff S/N 16501), R70 (Eff S/N 12501)	Tailings Drive, w/Tailings Ret Option	CYL WP71337000
10	R60, R70	Header Drive, Vari-Speed	CYL WP71320449
10	R60, R70	Header Drive, Vari-Speed	BEV QP71316268
11	R60, R70	Pivot Drive, Left Hand	CYL WP71310382
12	R60, R70	Unloader Drive, Left Hand	CYL WP71310280
12	R60, R70	Unloader Drive, Power Engage	CYL WP71356409
13	R60	Hydro Drive	CYL WP71197999
13	R70	Hydro Drive	CYL WP71342143
14	R60	Main Drive	CYL WP71348999
14	R70	Main Drive	CYL WP71348989
15	R60 (Prior S/N 16501), R70 (Prior S/N 12501)	Impeller Drive	CYL WP71358134
15	R60 (Eff S/N 16501), R70 (Eff S/N 12501)	Impeller Drive	CYL WP71359681
16	R60 (Prior S/N 16501), R70 (Prior S/N 12501)	Jackshaft Drive	CYL WP71313804
16	R60 (Eff S/N 16501), R70 (Eff S/N 12501)	Jackshaft Drive	CYL WP71354210
17	R60 (Prior S/N 16501), R70 (Prior S/N 12501)	Cylinder Drive	CYL WP71319657
17	R60 (Eff S/N 16501), R70 (Eff S/N 12501)	Cylinder Drive	CYL WP71348772
18	R60, R70	Spreader Jackshaft Drive	CYL WP71347560
19	R60, R70	Compressor Drive	CYL WP71193420
20	R60 (Prior S/N 16501), R70 (Prior S/N 12501)	Chopper Drive	CYL WP71358486
21	R60, R70	Chopper Jackshaft	CYL WP71358487
22	R60, R70	Spreader	CYL WP71347561
23	R60, R70	Cylinder Drive	BEV QP71364789
24	R60, R70	Separator Drive	CYL WP71325150



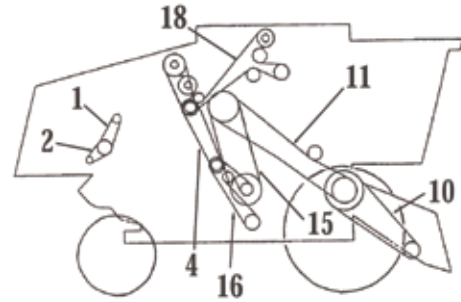
**FITS GLEANER**

Belt - R62, R72

**Left Hand View  
R62, R72**



**Right Hand View  
R62, R72**

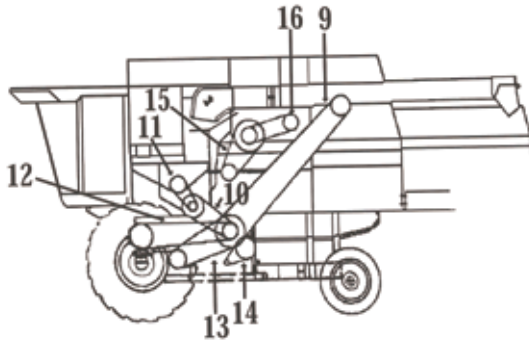


NUMBER	APPLICATION	DESCRIPTION	PART NUMBER
1	R62, R72	Alternator, Lower	CYL WP71352142
3	R62, R72	Spreader Drive	CYL WP71355170
4	R62, R72	Jackshaft Drive, Right Hand	CYL WP71363793
5	R62, R72	Shoe Drive	CYL WP71364077
6	R62, R72	Accellerator Roll/Dist Auger Drive	CYL WP71354210
7	R62, R72	Impeller/Chopper Drive	CYL WP71363968
8	R62, R72	Compressor Drive	CYL WP71193420
9	R62, R72	Header Drive, Vari-Speed	CYL WP71375178
9	R62, R72	Header Drive, Vari-Speed	CYL WP71375178
9	R62, R72	Header Drive, Constant Speed	CYL WP71364514
10	R62, R72	Pivot Shaft Drive	CYL WP71364155
11	R62, R72	Rear Feed Conveyor	CYL WP71335475
12	R62, R72	Pivot Drive, Left Hand	CYL WP71355232
13	R62, R72	Unloader Drive, Power Engage	CYL WP71364922
14	R62, R72	Hydro Drive	CYL WP71363595
15	R62, R72	Cylinder Drive	CYL WP71376238
16	R62, R72	Seperator Drive	CYL WP71363802
17	R62	Main Drive - For air cooled engine only - 3 Rib	CYL WP71363804
17	R72	Main Drive	CYL WP71370214
18	R62, R72	Clean Grain Elevator	CYL WP71368809

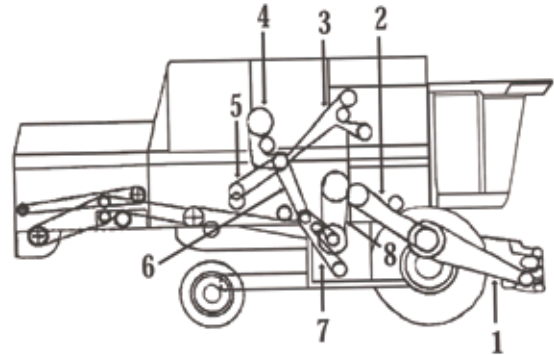
## FITS GLEANER

### Belt - C62

#### Left Hand View C62



#### Right Hand View C62



NUMBER	APPLICATION	DESCRIPTION	PART NUMBER
1	C62	Pivot Shaft Drive, Right Hand	CYL WP71374306
2	C62	Rear Feed Conveyor	CYL WP71381955
3	C62	Clean Grain Elevator	CYL WP71368809
4	C62	Tailing Drive	CYL WP71367460
5	C62	Walking Drive	CYL WP71380655
6	C62	Jackshaft Drive, Right Hand	CYL WP71367469
7	C62	Seperator Drive	CYL WP71358255
8	C62	Cylinder Drive	CYL WP71381413
9	C62	Main Drive	CYL WP71380485
10	C62	Bin Unloader Drive, Left Hand	CYL WP71380601
13	C62	Hydro Drive	CYL WP71374276
14	C62	Shoe Drive	CYL WP71374305
15	C62	Front Beater Drive	CYL WP71382504
16	C62	Rear Beater Drive	CYL WP71381952

### Belt - Hesston® 6600, 6550, 6555, 8200, 8400

APPLICATION	DESCRIPTION	PART NUMBER
8400	Reel Drive	BEV C96
8200	Reel Drive	BEV C128
6600	Reel Drive	BEV C103
8200	Sickle Drive	CYL WP700705430
8200	Header Drive 3 Matched	CYL WP700705503
8200	Header Drive	CYL WP7855331
8200	Trans Drive	BEV 2RB102
6550, 6555	Pitman Drive	CYL WP855718
6600 (S/N 660H-50-660H-1773)	Sickle Drive	BEV C90
6600 (Eff S/N 660H-1850)	Sickle Drive	BEV C90

**FITS INTERNATIONAL**

**Longblock Assembly - Combine**

Our Remanufactured Longblocks meet the highest standards in quality. All remanufactured components are inspected for structural integrity, cracks and dimensional specifications and remanufactured back to OEM specifications by ASE Certified Machinists. The components are then assembled by ASE Certified Mechanics using the highest quality new parts. We back this with one of the best warranties in the industry.



APPLICATION	DESCRIPTION	PART NUMBER
1680	Remanufactured Longblock Assembly	CYL WPLBCUM8.3T1680
1688	Remanufactured Longblock Assembly	CYL WPLBUM8.3T1688

**Radiators - Combine**

**Tanks & Headers**

Heavy ribbed brass tanks & headers to better increase the durability & life of the cooling system.

**Side Channels**

Heavy duty steel side channels soldered or welded to tank mean long life and added strength.

**Design**

Deep solder joints on tanks & headers mean thousands of hours of industrial service.

**Tubes**

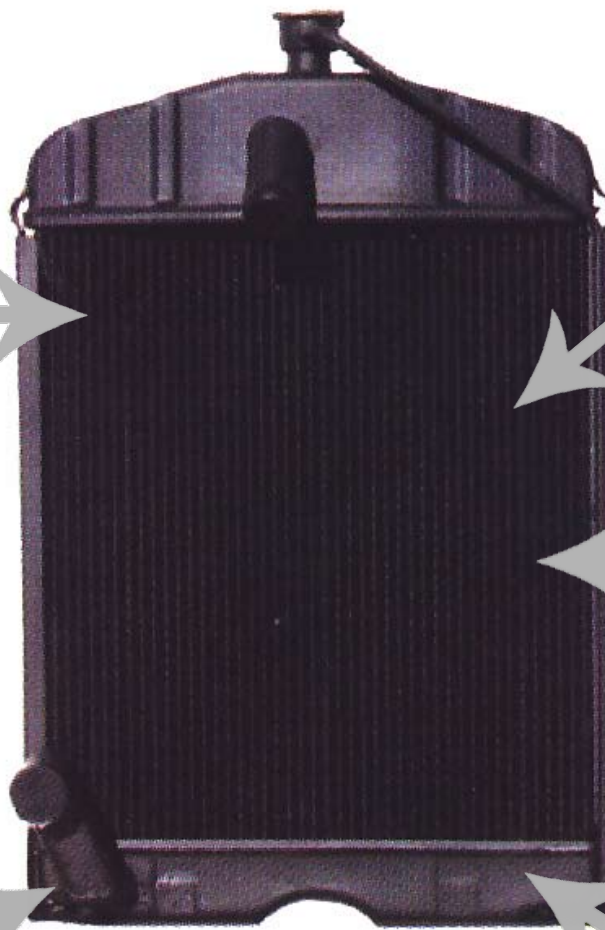
Heavy wall industrial coolant tubes avoid flex & failure, plus we use plenty of tubes for extra cooling.

**Fins**

Industrial strength fins, plus 100% fin to tube contact for extra cooling.

**Oil Coolers (if applicable)**

All our oil coolers are OEM design or better, you can't see the cooler because it's inside, so TRUST Northern for the right cooler!



## FITS INTERNATIONAL

### Combine Radiator Application Guide

MODEL	OEM NO.	PART NO.	RAD CAP NO.	NOTES
1640	A189123	TRP CR9576	21-12	Early Production
1640	1547946C3	TRP CR9724	21-12	SN-JJC0034705 & After
1644	1547946C3	TRP CR9724	21-12	Axial Flow
1660	A189213	TRP CR9576	21-1	Early Production
1660	1547946C3	TRP CR9724	21-1	SN JJC0038346 & After
1666	1547946C3	TRP CR9724	21-12	Axial Flow
1680	A189212	TRP CR9727	21-12	Early SN JJC0045689 & Before
1680	1547946C3	TRP CR9724	21-12	Late SN JJC0045689 & After
1688	116154A1	TBA	21-12	Grain & Corn Only, Axial flow
1688	117403A1	TBA	21-12	Rice Only, Axial Flow
2144	1547946C3	TRP CR9724	21-12	SN JJC0173144 & Before
2144	116154A1	TBA	21-12	SN JJC0173150 & After
2166	1547946C3	TRP CR9724	21-12	SN JJC0180000 & Before
2166	194950A1	TBA	-	SN JJC0180000 & After
2188	116154A1	TBA	-	PIN JJC019483 & Before
2188	194951A1	TBA	-	PIN JJC019484 & After
2344	1547946C2	TRP CR9724	-	-
2366	194951A1	TBA	-	-
2388	194951A1	TBA	-	-

### Combine Radiator Illustration Guide

#### Case/IH Combine TRP CR9576

1460, 1480, 1640, 1660

Overall: H-38<sup>1</sup>/<sub>8</sub>" W-25<sup>3</sup>/<sub>8</sub>"

Core: H-33<sup>1</sup>/<sub>8</sub>" W-25<sup>3</sup>/<sub>8</sub>", D-4<sup>3</sup>/<sub>16</sub>"

Filler Neck Height-<sup>3</sup>/<sub>4</sub>"

Inlet-2", Outlet-2"

6 Row, 6 FPI

OEM# A189213



# FITS INTERNATIONAL

## Hydrostat Drive Shafts

APPLICATION	DESCRIPTION	PART NUMBER
1460, 1480, 1660, 1680 (Prior S/N 45689)	New Hydro Output Shaft for Eaton Hydrostats	CYL WP1980136C1



## Hydrostat Transmissions - Combine

Sauer/Sundstrand, Eaton, and Dynapower are a few of the major brands of Combine Hydrostats we stock. Our hydrostats are remanufactured by a Nationally known remanufacturer that has been recognized as a "Remanufacturing Facility" by Sauer/Sundstrand. All units are assembled from scratch by a factory trained technician, utilizing GENUINE remanufactured and replacement parts. All units are fully tested to factory specification assuring you of the highest quality and maximum performance.

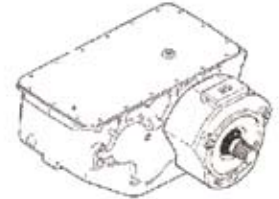


APPLICATION	DESCRIPTION	PART NUMBER
715 (Prior S/N 5328)	Remanufactured Hydrostat, Sunstrand	CYL WPH715-22/21
715 (Eff S/N 5328)	Remanufactured Hydrostat, Sunstrand	CYL WPHL715-22/21
815 (Prior S/N 8000)	Remanufactured Hydrostat, Sunstrand	CYL WPH815S-22/22
815 (Eff S/N 8001)	Remanufactured Hydrostat, Sunstrand	CYL WPHL815S-22/22
815 (Eff S/N 8001)	Remanufactured Hydrostat, Eaton	CYL WPH815E
915	Remanufactured Hydrostat, Sunstrand	CYL WPH915S-23/23
1420, 1440	Remanufactured Hydrostat, Eaton	CYL WPH1440E-46/39
1420, 1440	Remanufactured Hydrostat, Sunstrand	CYL WPH1440S-22/22
1460, 1480, 1660, 1680	Remanufactured Hydrostat, Eaton (Single Speed) Screw in Fittings	CYL WPH1460E1-54/54
1460, 1480	Remanufactured Hydrostat, Eaton (Dual Speed)	CYL WPH1460E2-54/54
1460, 1480	Remanufactured Hydrostat, Sunstrand	CYL WPH1460S-23/23
1660, 1680	Remanufactured Hydrostat, Eaton (Single Speed), Screw in Fittings	CYL WPH1660E1-54/54
1660, 1680	Remanufactured Hydrostat, Eaton (Dual Speed)	CYL WPH1660E2-54/54
1660 (Late), 1680 (Late)	Remanufactured Hydrostat, Eaton, Both w/Split Flange Hoses	CYL WPH1660LE1-54/54
2388	Remanufactured Hydrostat, Eaton	CYL WPH2388E2-64/64
95, 616	Remanufactured Hydrostat, Eaton, Cotton Picker Applications	CYL WPH616E-39/33
95, 616	Remanufactured Hydrostat, Sunstrand, Cotton Picker Applications	CYL WPH616S-22/21
1400, 622, 782	Remanufactured Hydrostat, Eaton, Cotton Picker Applications	CYL WPH1400E-46/33
1400, 622, 782	Remanufactured Hydrostat, Sunstrand, Cotton Picker Applications	CYL WPH1400S-22/21
782	Remanufactured Hydrostat, Eaton, Cotton Picker Applications	CYL WPH782E-46/33
782	Remanufactured Hydrostat, Sunstrand, Cotton Picker Applications	CYL WPH782S-22/21
1822	Remanufactured Hydrostat, Eaton, Cotton Picker Applications	CYL WPH1822E1-46/33
1822	Remanufactured Hydrostat, Eaton, Cotton Picker Applications	CYL WPH1822E2-46/33
1844	Remanufactured Hydrostat, Eaton, Cotton Picker Applications	CYL WPH1844E1-54/33
1844	Remanufactured Hydrostat, Eaton, Cotton Picker Applications	CYL WPH1844E2-54/33
2022	Remanufactured Hydrostat, Eaton, Cotton Picker Applications	CYL WPH2022E-46/33
2044	Remanufactured Hydrostat, Eaton, Cotton Picker Applications	CYL WPH2044E-54/33

## FITS INTERNATIONAL

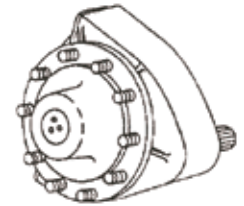
### Transmissions - Combine

APPLICATION	DESCRIPTION	PART NUMBER
1440	Remanufactured Transmission	CYL WPT1440
1460 Early	Remanufactured Transmission	CYL WPT1460EW (Wheat) CYL WPT1460EC (Corn)
1460 Late	Remanufactured Transmission	CYL WPT1460LW (Wheat) CYL WPT1460LC (Corn)
1460, 1480 - Early	Remanufactured Transmission	CYL WPT1480EW (Wheat) CYL WPT1480EC (Corn)
1460, 1480 - Late	Remanufactured Transmission	CYL WPT1480LC (Corn)
1660 Early	Remanufactured Transmission	CYL WPT1660EC (Corn)
1660, 1680	Remanufactured Transmission	CYL WPT1680W (Wheat)
1666, 1688	Remanufactured Transmission	CYL WPT1688C (Corn)
2188-2388	Remanufactured Transmission	WPT2388C (Corn)



### Final Drives and Components

APPLICATION	DESCRIPTION	PART NUMBER
715	Remanufactured Final Drives	CYL WPF715
915	Remanufactured Final Drive	CYL WPF915
1440 S/N <30000	Remanufactured Final Drive	CYL FD1440E-LH (Left Hand) FD1440E-RH (Right Hand)
1440 S/N 30000->, 1640, 1644 S/N <-JJC0098060	Remanufactured Final Drive	CYL FD1440L-LH (Left Hand) CYL FD1440L-RH (Right Hand)
1460, 1660	Remanufactured Final Drives, 66 Tooth Pinion	CYL WPF1460
1480	Remanufactured Final Drives	CYL WPF1480
1680	Remanufactured Final Drives, 66 Tooth Pinion	CYL WPF1680-66
1680, 1688	Remanufactured Final Drives, 75 Tooth Pinion	CYL WPF1680-75
2188	Remanufactured Final Drive	CYL WPF2188
203, 503, 315, 615, 715	New Pinion Shaft	CYL WP376461R2
815, 1420, 1440	New Pinon Shaft	CYL WP39567R1
915, 1460, 1660	New Pinion Shaft	CYL WP401912R1
1480	New Pinion Shaft	CYL WP130884C1



### Axle Drive Shafts and Couplers

APPLICATION	DESCRIPTION	PART NUMBER
915 (Prior S/N 8000), 1460 (Eff S/N 32001), 1660, 1670	New Axle Drive Shaft ; 14.08" Long	CYL WP402725R2
1460 (Prior S/N 32000)	New Axle Drive Shaft, Left Hand; 29.77" Long	CYL WP121794C1
1460 (Prior S/N 32000)	New Axle Drive Shaft, Right Hand; 16.65" Long	CYL WP121795C1
1460 (Prior S/N 32000)	New Axle Drive Shaft; 22.65" Long. For use on units with axle extensions.	CYL WP193994C1
1460 (Prior S/N 32000)	New Axle Drive Shaft, Left Hand; 35.77" Long. For use on units with axle extensions.	CYL WP 193993C1
1480 (Eff S/N 34001)	New Axle Drive Shaft; 35.26" Long	CYL WP130841C1
1460 (Eff S/N 32001, 1660)	New Axle Drive Shaft, Right Hand; 20.08" Long, For use on units with axle extensions.	CYL WP184224C1
1460 (Eff S/N 32001, 1660)	New Axle Drive Shaft, Left hand; 33.04" Long. For use on units with axle extensions.	CYL WP184223C1
1460 (Eff S/N 32001), 1660, 1670 Hillside (Prior S/N JJ0080539)	New Axle Drive Shaft, Left Hand, 27.04" Long	CYL WP1309012C1
915, 1460, 1480, 1660, 1680, 1688	New Axle Drive Shaft Coupler, 3" Lng	CYL WP184341C1



# FITS INTERNATIONAL

## Wheel Brake Disks

APPLICATION	DESCRIPTION	PART NUMBER
2144, 2166, 2188, 2344, 2366, 2388	New Wheel Brake Disk, New Wheel Brake Separator Plate CYL WP1997959C1 - 12 Req'd, CYL WP1285974C1 - 13 Req'd	CYL WP1997959C1 CYL WP1285974C1

## Feederhouse Chains

Our feederhouse chains utilize American Made chain with the slats mounted directly over the roller pins helping to eliminate stretching. The slats are bolted to the chain with 3/8" grade 5 plated bolts and locknuts, for easy replacement. Chains feature full side plates and high strength steel for added strength. All Feederhouse chains are supplied with serrated slats every 4th link. Please ask your sales representative about availability and cost of different slats or chain if required for your application. To extend the life of your chain assemblies, always replace the sprockets when installing a new chain.

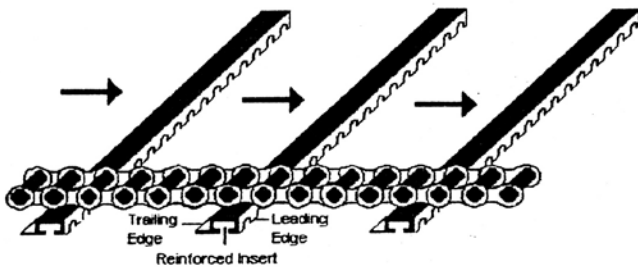
APPLICATION	DESCRIPTION	PART NUMBER
151, 402, 403, 715	New Feederhouse Chain; 78 links - slat every 2nd link, 3 Chains	CYL WP584415R91L
151, 402, 403, 715	New Feederhouse Chain; 78 links - slat every 4th link, 3 chains	CYL WPX28014L
715, 815 (S/N 8001)	New Feederhouse Chain; 87 links - slat every 4th link, 2 Chains	CYL WP175991C92L
914, 915	New Feederhouse Chain; 93 links - slat every 2nd link, 3 Chains	CYL WP180514C92L
914, 915	New Feederhouse Chain; 101 links - slat every 2nd link, 3 Chains	CYL WP175994C92L
1420, 1440, 1460, 1620, 1640, 1644, 1660, 1666, 2144, 2166	New Feederhouse Chain; 60 links - 47" Feeder House 1/4" smooth slat every 6th link, chrome pins	CYL WP117869A1
1420, 1440, 1460, 1620, 1640, 1644, 1660, 1666, 2144, 2166	New Feederhouse Chain; 69 links - 54" Feeder House 1/4" serrated slats every 4th link, chrome pins, 3 Chains	CYL WPX28012
1420, 1440, 1460, 1620, 1640, 1644, 1660, 1666, 2144, 2166	New Feederhouse Chain; 69 links - 54" Feeder House 1/4" smooth slat every 6th link, chrome pins, 2 Chains	CYL WP117871A1
1420, 1440, 1460, 1620, 1640, 1644, 1660, 1666, 2144, 2166	New Feederhouse Chain; 69 links - 54" Feeder House 1/4" serrated slat every 6th link, chrome pins, 2 Chains	CYL WPX28017
1480, 1482, 1680, 1682, 1688, 2188, 2388	New Feederhouse Chain; 69 links - 54" Feeder House 1/4" smooth slats every 4th link, chrome pins. 3 Chains	CYL WPB93532
1480, 1482, 1680, 1682, 1688, 2188, 2388	New Feederhouse Chain; 69 links - 54" Feeder House 1/4" serrated slats every 4th link, chrome pins, 3 Chains	CYL WPB93533
1480, 1482, 1680, 1682, 1688, 2188, 2388	New Feederhouse Chain; 69 links - 54" Feeder House 1/4" serrated slats every 4th link, chrome pins, 3 Chains	CYL WPB93533
1480, 1482, 1680, 1682, 1688, 2188, 2388	New Feederhouse Chain; 69 links - 54" Feeder House 1/4" serrated slates every 2nd & 4th link	CYL WP195666A1L
1480, 1482, 1680, 1682, 1688, 2188	New Feederhouse Chain; 69 links - 54" Feeder House 1/4" smooth slat every 6th link, chrome pins, 2 Chains	CYL WP117872A1
1480, 1482, 1680, 1682, 1688, 2188	New Feederhouse Chain, 69 links - 54" Feeder House 1/4" serrated slat every 6th link, , chrome pins, 2 Chains	CYL WPX28015
1480, 1482, 1680, 1682, 1688, 2188, 2388	New Feederhouse Chain, 76 links - 60" Feeder House 1/4" smooth slat every 2nd & 4th link, 3 Chain Assembly	CYL WP195668A1L
1480, 1482, 1680, 1682, 1688, 2188, 2388	New Feederhouse Chain, 76 links - 60" Feeder House 1/4" smooth slats every 4th link, chrome pins	CYL WPB93534
1480, 1482, 1680, 1682, 1688, 2188, 2388	New Feederhouse Chain, 76 links - 60" Feeder House 1/4" serrated slats every 4th link, chrome pins, 3 Chain Assembly	CYL WPB93535
1480, 1482, 1680, 1682, 1688, 2188	New Feederhouse Chain, 76 links- 60" Feeder House 1/4" smooth slat every 6th link, chrome pins, 2 Chains	CYL WP136440A1
1480, 1482, 1680, 1682, 1688, 2188	New Feederhouse Chain, 76 links - 60" Feeder House 1/4" serrated slat every 6th link, chrome pins, 2 Chains	CYL WPX28016



## FITS INTERNATIONAL

### Harvest Plastic Slat Feeder Chain

- Designed to handle today's larger crops and specialty crops gently and efficiently.
- Lighter, easier on drive components
- Super tough nylon slat with spring steel insert is less abrasive than a steel slat to the feeder house.
- Improves feeding, runs quieter, and lasts longer
- Reduces maintenance costs to save you money



#### CHAIN

- American made 557 chain not 550
- Heavier rollers and side links
- Outlasts

#### SLAT

- Super tough reinforced nylon to maintain shape
- 5160 Spring steel heat treated insert
- Bolted, not riveted
- Slat design forces material into the cylinder
- Leading Edge is notched for better feeding
- Trailing Edge eliminates back feeding
- Slats every 4th link on center chain.

DESCRIPTION	NO. OF CHAINS	NO. OF LINKS	NO. OF SLATS	SLAT LENGTH	C C	WT	PART NO.
IH 1420/40/60, 1620/40/60/66, 2166	3	60	16	18 7/8"	13 11/16"	72	SHI FC1130
IH 1420/40/60, 1620/40/60/66, 2166	3	64	16	18 7/8"	13 11/16"	76	SHI FC1131
IH 1420/40/60, 1620/40/60/66, 2166	3	68	18	18 7/8"	13 11/16"	81	SHI FC1132
IH 1420/40/60, 1620/40/60/66, 2166	3	72	18	18 7/8"	13 11/16"	86	SHI FC1133
IH 1480/82, 1680/82, 1688, 2188, 2388	3	68	18	23"	18 1/8"	90	SHI FC1135
IH 1480/82, 1680/82, 1688, 2188, 2388	3	70	18	23"	18 1/8"	94	SHI FC1139
IH 1480/82, 1680/82, 1688, 2188, 2388	3	72	18	23"	18 1/8"	95	SHI FC1136
IH 1480/82, 1680/82, 1688, 2188, 2388	3	76	20	23"	18 1/8"	100	SHI FC1137
IH 1480/82, 1680/82, 1688, 2188, 915	3	88	22	23"	18 1/8"	116	SHI FC1138
IH 8810	4	99	24	24 3/4"		160	SHI FC1 150
Steel Split Sprocket						5	CYL IHSTSP1100
Heavy Walled Pipe With 3 Sprockets for IH 1480/82, 1680/82, 1688, 2188, 2388						35	CYL FCDS2188
Consists of Feeder Chain & Shaft for IH 1480/82, 1680/82, 1688, 2188, 2388						129	SHI FCSHAFTKIT

**\*Call for price and availability on models not shown.**

## FITS INTERNATIONAL

### Feeder Chain Stripper Plates

For two chain feeder chains.

If using split sprockets, material will have to be removed to allow clearance for larger sprocket hub.

APPLICATION	DESCRIPTION	PART NUMBER
715, 815, 914, 915, 1440 (prior S/N 10000), 1480 (Prior S/N 14000)	New Feederhouse Chain Stripper Plates	CYL WP185708C1 (Left Hand) CYL WPFSP-909 (Right Hand)
1440 (Eff. S/N 10001), 1480 (Eff. S/N 14001), 1600 Series	New Feederhouse Chain Stripper Plates	CYL WP185818C1 (Left Hand) CYL WP185819C1 (Right Hand)

### Feederhouse Chain Sprockets

To extend the life of your chain assemblies, always replace the sprockets when installing a new chain.

APPLICATION	DESCRIPTION	PART NUMBER
615 (Eff S/N 12000), 715-2188	New Feederhouse Chain Sprocket 9 teeth - 1.500" Hex - Forged Carbon Steel, Induction Hardened Teeth	CYL WP1970248C1
715-2188	New Feederhouse Chain Sprocket 9 teeth - 1.500" Hex	CYL WPFM-91
715-2188	New Feederhouse Chain Sprocket Hardened 9 teeth - 1.500" Hex Split sprocket for easy change over.	CYL WPFM-91H



### Upper Sprocket Tube Kit

Heavy duty kit includes Sprocket Tube with Hardened sprockets, Stripper Plates and hardware.

APPLICATION	DESCRIPTION	PART NUMBER
1420, 1440, 1460, 1620, 1640, 1644, 1660, 1666, 2144, 2166, 2344, 2366	New Sprocket Tube Kit	CYL WPSPT-1660
1480, 1680, 1688, 2188, 2388	New Sprocket Tube Kit	CYL WPSPT-1680

### Feederhouse Chain Roller Kits

These kits will reduce the wear on your feeder chain by keeping the chain off the upper and lower wear plates. This will reduce the noise and increase the life of your chain dramatically.

APPLICATION	DESCRIPTION	PART NUMBER
20, 40, 60 Series	Feederhouse Chain Roller Kit, 2 Chain, 37"	PTP IH45K37
Early 80 Series	Feederhouse Chain Roller Kit, 2 Chain 47"	PTP IH45K47
Late 80 Series	Feederhouse Chain Roller Kit, 3 Chain, 47"	PTP IH45K473



### Feederhouse Lower Shaft Brackets

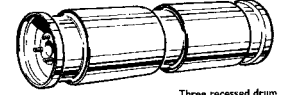
APPLICATION	DESCRIPTION	PART NUMBER
1660, 1666, 1680, 1688, 2188	New Feeder House Lower Shaft Bracket w/o field tracker	CYL WP1321629C2 (Right Hand) CYL WP138178A1 (Left Hand)



## FITS INTERNATIONAL

### Rock Drums

These six bolt, heavier and stronger rock drums are built to exceed OEM. They can be used for conversion to three chain feederhouse chain, or for replacing your existing style damaged or worn out rock drum. For more information about the three chain conversion talk to your sales representative.



Three recessed drum

APPLICATION	DESCRIPTION	PART NUMBER
1440, 1460, 1470, 1640, 1660, 1644, 1666, 2144, 2166	New Smooth Drum	CYL WP1957437C1
1440, 1460, 1470, 1640, 1660, 1644, 1666, 2144, 2166	New Two Recess Drum	CYL WP1957439C1
1440, 1460, 1470, 1640, 1660, 1644, 1666, 2144, 2166	New Three Recess Drum	CYL WPRD60-3
1480, 1482, 1680, 1682, 1688, 2188	New Smooth Drum	CYL WP1957438C1
1480, 1482, 1680, 1682, 1688, 2188	New Two Recess Drum	CYL WP1957440C3
1480, 1482, 1680, 1682, 1688, 2188	New Three Recess Drum	CYL WP196409A2
1420, 1440, 1620, 1640, 1660, 1666, 2166, 2366, 1644, 2144, 2344	Rock Drum Shaft, 45.00"	CYL WP187207C2
1480, 1680, 1688, 2188, 2388	Rock Drum Shaft 45.00"	CYL WP187208C2
1660, 1644, 1680, 1688, 2144, 2166, 2188, 2344, 2366, 2388	Rock Drum Arm, Hardware Kit Hardware Kit needed for installation on early machines w/1" dia. shaft, recommended for all other models. Does not include trashshield.	CYL WP1338287C3 (Left Hand) CYL WP1338288C3 (Right Hand)
1660, 1644, 1680, 1688, 2144, 2166, 2188, 2344, 2366, 2388	Rock Drum Arm, Hardware Kit RICE w/trashshield. Hardware Kit needed for installation on early machines w/1" dia. shaft, recommended for all other models.	CYL WP1319875C5 (Left Hand) CYL WP1319876C5 (Right Hand)

### Feederhouse Shafts

APPLICATION	DESCRIPTION	PART NUMBER
1420 w/o Rocktrap	New Upper Feederhouse Shaft 51.875"	CYL WP187395C1
1420 w/Rocktrap; w/ w/o Reverser, 1440, 1460	New Upper Feederhouse Shaft 57.375"	CYL WP197277C2
(1440 & 1460 w/ Rock Trap) (1470, 1640, 1660, 1670, w/Reg Feeder house)	New Upper Feederhouse Shaft, 61.875"	CYL WP1320160C3
1480, 1482 w/wo Reverser or Rock Trap	New Upper feederhouse Shaft 65.250"	CYL WP197278C1
1480, 1482 - Units w/reverser, w/wo Rock Trap	New Upper Feederhouse Shaft 70.00" Long	CYL WP1320099C2
1680, 1682	New Upper Feederhouse shaft 67.625"	CYL WP1321440C2

## FITS INTERNATIONAL

### Feederhouse Bottoms

APPLICATION	DESCRIPTION	PART NUMBER
914, 915	New Feeder House Bottom, 75" Lng - for 34" tires	CYL WP187295C1
914, 915	New Feeder House Bottom, 65" Lng - not for 34" tires	CYL WP187296C1
1420, 1440, 1460, 1620, 1640, 1644, 1660, 1666	New Feeder House Bottom 47" Lng	CYL WP1324576C1
1440, 1460, 1620, 1640, 1644, 1660, 1666, 2144, 2166, 2344, 2366	New Feederhouse Floor 54.5" Lng	CYL WP1324578C2
1480, 1680, 1688, 2188, 2388	New Feeder House Bottom, 54.5" Lng	CYL WP1324572C1
1680, 1688, 2188, 2388	New Feeder House Bottom, 60" Lng	CYL WP1324574C2
2144, 2166, 2344, 2366	New Feeder House Bottom , 60" Lng	CYL WP1994217C2

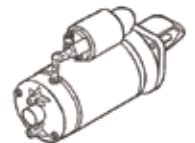


### Harvest Feederhouse Bottoms for CASE-IH Combines

DESCRIPTION	WT	PART NO.
IH 1460	60	CYL FHB2175
IH 1480/82, 1680/82/88, 2188, 2388	120	CYL FHB2190
IH 1660		CYL FH82185

### Feed Reverser Motors

APPLICATION	DESCRIPTION	PART NUMBER
1440, 1460, 1480, 1620, 1640, 1660, 1680, 1644, 1666, 1688, 2144, 2166, 2188, 2366, 2388	Remanufactured Reverser Motor, All IH Rotary Models w/Electric Reverser	CYL WP245927C91



### Cylinder Bars and Kits

All bars are carefully checked and sets are matched for equal weight distribution on the cylinder prior to shipment. Grade 8 Fasteners are supplied for most models.

APPLICATION	DESCRIPTION	PART NUMBER
403, 715, 815 (Prior S/N 8000)	New Cylinder Bar Kit, Flat	CYL WP633510R1
503, 915 (Prior S/N 8000)	New Cylinder Bar Kit, Flat	CYL WP633521R1
815 (Eff S/N 8000)	New Cylinder Bar Kit, Angle	CYL WP177215C1
915 (Eff S/N 8000)	New Cylinder Bar Kit, Angle	CYL WP177222C1
1420, 1620	New Cylinder Bar Kit, 8 Helical & 8 Straight - Standard, Replaces: 1310246C2/1308668C1	CYL WPOIHC-1420
1440, 1460, 1640, 1660, 1644, 2144, 2344, 1666, 2166, 2366	New Cylinder Bar Kit, 12 Helical & 9 Straight, Grain	CYL WPOIHC-1440 (Standard) CYL WPB93869 (Hardened) CYL WPB93869 (Chrome)
1440, 1460, 1640, 1660, 1644, 2144, 2344, 1666, 2166, 2366	New Cylinder Bar Kit, 12 Helical & 3 Straight, Soybean	CYL WPOIHC-140-1 (Standard) CYL WPOIHC-1440-1H (Hardened)
1480, 1680, 1688, 2188, 2388	New Cylinder Bar Kit, 16 Helical & 12 Straight, Grain	CYL WPOIHC-1480 (Standard) CYL WPB93418 (Hardened) CYL WPOIHC-1480-CA (Chrome)



### Sunnybrook Cylinder Bars and Kits

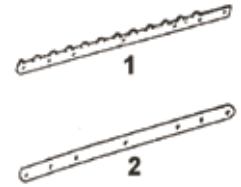
APPLICATION	DESCRIPTION	PART NUMBER
1480, 1482, 1680, 1682, 1688, 2188, 2388	Set - 12 Flat, 16 Angled Set (Nihard) - 12 Flat, 16 Angled	SHI SBI0105 SHI SBI0110

## FITS INTERNATIONAL

### Rotor Bars - Standard Rotors

Rotor bars are for Standard Rotors. They are available in Standard, Hardened and Chrome Alloy. Hardware is not included.

NUMBER	APPLICATION	DESCRIPTION	PART NUMBER
1	20 series (4 req.), 40/60 series (3 req.) 80 series (4 req.)	New Toothed Rotor Bar	CYL WP1302103C1
2	20 series (4 req.), 40/60 series (3 req.) 80 series (4 req.)	New Smooth Rotor Bar	CYL WPSTRIHC-S (Standard) CYL WPSTRIHC-SH (Hardened) CYL WP1324580C1 (Chrome)



Bars are sold and priced individually.

### Rotor Bars - Specialty Rotors

These ductile bars meet or exceed OEM specifications. Most applications and crop conditions require bars with no spike. Crops with excessive green material might require bars with spike to prevent the roping action experienced with nonspiked bars.



NUMBER	APPLICATION	DESCRIPTION	PART NUMBER
1	All Rotories	New Specialty Rotor Bar w/spike	CYL WP1309175C1 (Hardened) CYL WP1968970C1 (Chrome)
2	All Rotories	New Specialty Rotor Bar	CYL WPOIHCNS-2 (Standard) CYL WP1309336C1 (Hardened) CYL WP278821A2 (Chrome)
3	40/60 Series (3 req.)	New Helical Kicker Plates	CYL WP1317690C1 (Standard) CYL WP1968967C1 (Chrome)
3	80 Series (2 req.)	New Helical Kicker Plates	CYL WP1327676C1 (Standard) CYL WPSPRIHC-80H (Hardened) CYL WP1968968C2 (Chrome)
4	1620 (2 req.), 40/60 Series (3 req.) 80 Series (4 or 8 req.)	New Straight Separator Rotor Bars	CYL WP1318976C1 (Standard) CYL WP1968969C2 (Chrome)

Bars are sold and priced individually.

### Concaves and Components

All concaves are LINE BORED for uniform height of bars at cylinder contact points and have added strength at stress points. These concaves are made of heavy duty high carbon steel cross bars and high carbon steel 1/4" wires. Narrow spaced rotary concaves feature low wire for more aggressive separation. Holes are drilled to provide a tight wire fit, which prevents spearing and trapping of straw. Corn concaves feature wider spacing and high wires to prevent plugging between bars.



APPLICATION	DESCRIPTION	PART NUMBER
715, 815 (Eff S/N 8000)	New Concave, 14 Cross Bars	CYL WP177375C91
914, 915	New Concave, 14 cross bars - 1 hole on sideplate	CYL WP189738C92
1440, 1460, (1644, 1666, 2144, 2166, w/o extensions)	New Concave no extension (set of 3)	CYL WPB93571 (Narrow) CYL WPB93572 (Wide)
1480	New Concave no extension (set of 3)	CYL WPB93573 (Narrow) CYL WPB93574 (Wide)
1640, 1644, 1660, 1666, 2144, 2344, 2166, 2366	New Concave Set of 3 single piece units	CYL WP1309208C3 (Narrow) CYL WP1302606C5 (Wide)
1680, 1688, 2188, 2388	New Concave Set of 3 single piece units	CYL WP1309204C3 (Narrow) CYL WP193782C6 (Wide)
1440, 1460, 1470, 1644, 1666, 2144, 2166	New Helical Concave Narrow Space - no extension	CYL WPCIHCH-1440-F (Front) CYL WPCIHCH-1440-MR (Mid/Rear)

## FITS INTERNATIONAL

### Concaves and Components (Con't)

APPLICATION	DESCRIPTION	PART NUMBER
1680, 1688, 2188, 2388	New Helical Concave Narrow Space	Front CYL WPCIHCH-1680-F Mid./Rear CYL WPCIHCH-1680-MR
1680, 1682, 1688, 2188, 2388	New Concave Extensions Set of 3	Narrow CYL WPB94537 Wide CYL WPB94535
1640, 1644, 1666, 2144, 2166, 2366	New Concave Extensions Set of 3	Narrow CYL WPB94536 Wide CYL WPB94534
1440, 1460, 1470	New Concave Cover Plate	CYL WPFPIHC-1440
1480	New Concave Cover Plate	CYL WPFPIHC-1480
1640, 1644, 1660, 1666, 2144, 2166, 2344, 2366	New Concave & Extension Cover Plate	2 pc CYL WPFPIHC-1640 1 pc CYL WPFPIHC-1640-1
1680, 1688, 2188, 2388	New Concave & Extension Cover Plate	2 pc CYL WPFPIHC-1680 1 pc CYL WPFPIHC-1680-1
1440, 1460	New Concave Shock Kit	CYL WPCSK-400
1480	New Concave Shock Kit	CYL WPCSK-500
1640, 1644, 1660, 1666, 2144, 2166	New Concave Shock Kit	CYL WPCSK-600
1680, 1688, 2188, 2388	New Concave Shock Kit	CYL WPCSK-700
All Rotary Models	New Concave Shaft Solid, Top w/holes Bottom w/o holes	Top WPCPSK-200 Bottom CYL WPCPSK-300
1640, 1644, 1660, 1670, 2144, 2166, 2366	New Helical Concave Narrow Space	Front CYL WPCIHCH-1640-F Mid./Rear CYL WPCIHCH-1640-MR

### Sunnybrook Concaves and Components

APPLICATION	DESCRIPTION	PART NUMBER
1440, 1460, 1470	Front $\frac{3}{16}$ " Black Heavy Duty (107 lbs) Front $\frac{1}{4}$ " Black Heavy Duty (107 lbs) Front $\frac{1}{4}$ " Wide Black (107 lbs) Middle/Back Narrow, $\frac{3}{16}$ " Black Heavy Duty (105 lbs) Middle/Back Wide, $\frac{1}{4}$ " Black Heavy Duty (95 lbs)	SHI SBI0200 SHI SBI0190 SHI SBI0610 SHI SBI0210 SHI SBI0220
1480, 1482	Front $\frac{3}{16}$ " Black Heavy Duty (127 lbs) Front $\frac{3}{16}$ " Chrome Heavy Duty (127 lbs) Front $\frac{1}{4}$ " Black Heavy Duty (124 lbs) Front $\frac{1}{4}$ " Wide Black Heavy Duty (127 lbs) Front $\frac{1}{4}$ " Chrome Heavy Duty (124 lbs) Middle/Back $\frac{3}{16}$ " Narrow Black Heavy Duty (122 lbs) Middle/Back $\frac{3}{16}$ " Narrow Chrome Heavy Duty (122 lbs) Middle/Back $\frac{1}{4}$ " Wide Black Heavy Duty (120 lbs) Middle/Back $\frac{1}{4}$ " Wide Chrome Heavy Duty (120 lbs)	SHI SBI0080 SHI SBI0075 SHI SBI0070 SHI SBI0070W SHI SBI0065 SHI SBI0090 SHI SBI0085 SHI SBI0100 SHI SBI0095
1640, 1660, 1666, 1670, 2166, 2366	Front $\frac{3}{16}$ " Black Heavy Duty (117 lbs) Front $\frac{1}{4}$ " Black Heavy Duty (117 lbs) Middle/Back $\frac{3}{16}$ " Narrow Black Heavy Duty (115 lbs) Front $\frac{1}{4}$ " Wide Black Heavy Duty (117 lbs) Middle/Back $\frac{1}{4}$ " Wide Black Heavy Duty (117 lbs)	SHI SBI0140 SHI SBI0130 SHI SBI0150 SHI SBI0430 SHI SBI0580
1680, 1682, 1688, 2188, 2388	Front $\frac{3}{16}$ " Black Heavy Duty (139 lbs) Front $\frac{3}{16}$ " Chrome Heavy Duty (139 lbs) Front $\frac{1}{4}$ " Black Heavy Duty (139 lbs) Front $\frac{1}{4}$ " Wide Black Heavy Duty (130 lbs) Front $\frac{1}{4}$ " Chrome Heavy Duty (130 lbs) Middle/Back $\frac{3}{16}$ " Narrow Black Heavy Duty (132 lbs) Middle/Back $\frac{3}{16}$ " Narrow Chrome Heavy Duty (132 lbs) Middle/Back $\frac{1}{4}$ " Wide Black Heavy Duty (130 lbs) Middle/Back $\frac{1}{4}$ " Wide Chrome Heavy Duty (130 lbs)	SHI SBI0020 SHI SBI0015 SHI SBI0010 SHI SBI0450 SHI SBI0005 SHI SBI0030 SHI SBI0025 SHI SBI0040 SHI SBI0035

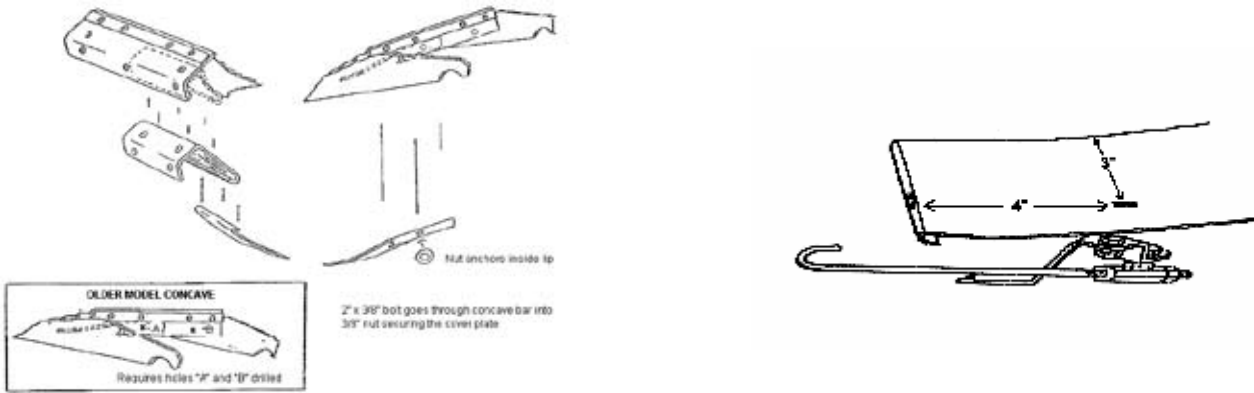
# FITS INTERNATIONAL

## Miscellaneous

APPLICATION	DESCRIPTION	PART NUMBER
1440, 1460, 1470, 1480, 1482, 1640, 1660, 1666, 1670, 2166, 2366, 1680, 1682, 1688, 2188, 2388	EZ Mount Kit (Shaft, 3 Brackets, Hardware) <b>*For SHI SBI...#'s Only*</b>	SHI SBI0230
	EZ Mount Bracket only <b>*For SHI SBI...#'s Only*</b>	SHI SBI0120
	Filler Plates (Conventional Concaves, Advise Model Number)	SHI SBF0010
	Shim/Cyl. Bar (All Makes) 100/pkg	SHI SBSH0020

## Harvest Coverplates for CASE IH Rotary Combines

Coverplate handles for easy off and on of coverplates. The handle can be used on any coverplate. The coverplate handle **MUST** be used with the coverplate for the Case IH one piece concave.



DESCRIPTION	WT	PART NO.
Coverplate Handle FITS ALL COVERPLATES	1	CYL CPHANDLE
IH 1440/60 AND FITS OEM 2 PC 1640/60/66, 2166, 2366 (COVERPLATE & BRACKET)	8	CYL CP2175
IH 1640/60/66, 2144/66, 2366 (COVERPLATE & BRACKET) FITS HARVEST 1PC CONCAVE	9	CYL CP2185
IH 1640/60/66, 2144/66, 2366 (COVERPLATE BRACKET & HANDLE) FITS CASE IH 1 PC CONCAVE	10	CYL CPH2185
IH 1480/82 AND FITS OEM 2 PC 1680/82/88, 2188, 2388 (COVERPLATE & BRACKET)	9	CYL CP2190
IH 1680/82/88, 2188, 2388 (COVERPLATE & BRACKET) FITS HARVEST 1 PC CONCAVE	9	CYL CP2195
IH 1680/82/88, 2188, 2388 (COVERPLATE BRACKET & HANDLE) FITS CASE IH 1 PC CONCAVE	10	CYL CPH2195



## FITS INTERNATIONAL

### Harvest Concave for Conventional Combines

**How Harvest Concaves for conventional & rotary combines differ from original factory concaves.**

- Made from 1045 carbon steel
- Precision bored for a proper fit
- Heavier and stronger than OEM to maintain their shape
- More bar over the wire for improved threshing performance and longer life
- Wire diameters are larger so that they keep their shape and last longer
- Holes are drilled, not punched for a snug wire fit so that there is no wire-to-hole gap to trap straw

DESCRIPTION	WT	PART NO.
IH 503, 914, 9153 HOLES 1 PIECE - HIGH WIRE	206	CYL CO2140HW
IH 503, 914, 9154 HOLE WINDROW SPECIAL - HIGH WIRE	266	CYL CO2150HW
IH 503, 914, 9151 HOLE WELDED EAR - HIGH WIRE	250	CYL CO2160HW

### Adjustment Hanger Bracket for Case IH Rotary

Allow the adjustment of the concave both left and right and up and down.

DESCRIPTION	WT	PART NO.
IH 1440/60, 1640/60/66, 2166, 2366	20	CYL HB2175
IH 1480/82, 1680/82/88, 2188, 2388	21	CYL HB2190

### Harvest Concave for Rotary Combines

#### ROD CONCAVES

- Specially designed for high moisture corn, popcorn and specialty crops
  - ¾" rod rather than wire
  - Treats the corn gentler by not mashing the kernel and breathing up the cob
- ALSO AVAILABLE IN WIDE WIRE CONCAVES AND NARROW WIRE CONCAVES**  
 Narrow wire concaves recommended for small grains.

DESCRIPTION	WT	PART NO.
IH 1640/60/66, 2144/66, 2366 Harvest Concave Rod	72	CYL CO2185ROD
IH 1640/60/66, 2144/66, 2366 Harvest Concave Wide	76	CYL CO2185WW
IH 1640/60/66, 2144/66, 2366 Harvest Concave Narrow	81	CYL CO2185NW
IH 1640/60/66, 2144/66, 2366 OEM Style Concave Wide	59	CYL COF2185WW
IH 1640/60/66, 2144/66, 2366 OEM Style Concave Narrow	64	CYL COF2185NW
IH 1640/60/66, 2144/66, 2366 Bolt On Front Lip	11	CYL FL2185
Set of three CO2185 & FL2185 Rod	249	CYL CIHSET2ROD
Set of three CO2185 & FL2185 Wide	210	CYL CIHSET2WW
Set of three CO2185 & FL2185 Narrow	276	CYL CIHSET2NW
IH 1480/82 Harvest Concave Rod	79	CYL CO2190ROD
IH 1480/82 Harvest Concave Wide	83	CYL CO2190WW
IH 1480/82 Harvest Concave Narrow	88	CYL CO2190NW
IH 1480/82 OEM Style Concave Wide	64	CYL COF2190WW
IH 1480/82 OEM Style Concave Narrow	68	CYL COF2190NW

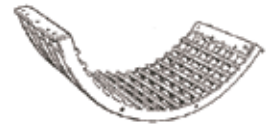
## FITS INTERNATIONAL

### Harvest Concave for Rotary Combines (Con't)

DESCRIPTION	WT	PART NO.
IH 1480/82 Bolt On Front Lip	12	CYL FL2190
Set of three CO2190 & FL2190 Rod	273	CYL CIHSET3ROD
Set of three CO2190 & FL2190 Wide	285	CYL CIHSET3WW
Set of three CO2190 & FL2190 Narrow	300	CYL CIHSET3NW
IH 1680/82/88, 2188, 2388 Harvest Concave Rod	90	CYL CO2195ROD
IH 1680/82/88, 2188, 2388 Harvest Concave Wide	94	CYL CO2195WW
IH 1680/82/88, 2188, 2388 Harvest Concave Narrow	103	CYL CO2195NW
IH 1680/82/88, 2188, 2388 OEM Style Concave Wide	77	CYL COF2195WW
IH 1680/82/88, 2188, 2388 OEM Style Concave Narrow	81	CYL COF2195NW
IH 1680/82/88, 2188, 2388 Bolt On Front Lip	14	CYL FI2195
Set of three CO2195 & FL2195 Rod	312	CYL CIHSET4ROD
Set of three CO2195 & FL2195 Wide	324	CYL CIHSET4WW
Set of three CO2195 & FL2195 Narrow	351	CYL CIHSET4NW
IH 8010 Phone for Price & Availability		CYL CO1150

### Rotor Grates

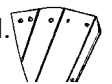
The slotted grates perform well under grain harvesting conditions while the keystone grates are better for corn, soybeans, rice and milo. The shredder grate replaces the rear grate. It has a unique keystone grate and blade system that will thoroughly shred the stalks. Installation is less than an hour, an alternative to an expensive straw chopper.



APPLICATION	DESCRIPTION	PART NUMBER
1440, 1460, 1640, 1644, 1660, 1666, 2144, 2166, 2344, 2366	New Slotted Grate (Set of 3)	CYL WP191538C3
1480, 1680, 1688, 2188, 2388	New Slotted Grate (Set of 3)	CYL WPB95336
Individual Channel for Slotted Grates	Channel, Individual Channel for Slotted Grates	CYL WP191536C1
1420, 1620	New Keystone Grates OEM Style (Set of 3) Set of 3	CYL WP1303002C3
1440, 1460, 1640, 1644, 1660, 1666, 2144, 2166, 2344, 2366	New Keystone Grates OEM Style (Set of 3)	CYL WP1302562C1
1480, 1680, 1688, 2188, 2388	New Keystone Grates OEM Style (Set of 3) Replaces: CYL WP1302563C1	CYL WP1302563C1
1440, 1460, 1640, 1660, 2144, 2166, 2366	Shredder Grate	CYL WP830762
1480, 1680, 1688, 2188, 238	Shredder Grate	CYL WP830763
1440, 1460, 1640, 1644, 1660, 1666, 2144, 2166, 2344, 2366	Grate Cover Plate	CYL WPCPGIHC-1440
1480, 1680, 1688, 2188, 2388	Grate Cover Plate	CYL WPCPGIHC-1480

### Elephant Ears

Blade Kits are manufactured of abrasive steel for longer wear. High strength, Grade 8 hardware included. Hard chrome available upon request.



APPLICATION	DESCRIPTION	
1420, 1620	New Blade Kits (Elephant Ears)	CYL WP1957447c2
1440, 1460, 1640, 1644, 1660, 1666, 2144, 2166, 2344, 2366	New Blade Kits (Elephant Ears) 3 Blades	CYL WP1957446C3E
1480, 1680, 1688, 2188, 2388	New Blade Kits (Elephant Ears) 2 Blades	CYL WP1957445C3E (Standard) CYL WPBK-80-2C (Chrome)
1480, 1680, 1688, 2188, 2388	Marlins Blade Kits, 2 Blades Complete w/Chrome Wear Bars	CYL WPWMIHC802
2388 AFX Rotor	New Blade Kits (Elephant Ears) 2 Blades	CYL WP434525A3

## FITS INTERNATIONAL

### Wear Bars

Wear Bars are made of hardened abrasive resistant steel for long wear. Easy to install. High strength, Grade 8 hardware included. Wear bars are available in regular or large size to cover more of the blade (elephant ears) protecting it from excessive wear.



APPLICATION	DESCRIPTION	PART NUMBER
1420, 1620	New Wear Bars, Reg. Size Hardened, Replaces OE P/N 183409C1	CYL WP183253C3
1420, 1620	New Wear Bar, Large Size Hardened	CYL WPWBIHC-20HL
1420, 1620	New Wear Bar, Reg. Size chrome	CYL WP1309185C2
1420, 1620	New Wear Bars, Large Size Chrome	CYL WPWBIHC-20CL
1440, 1460, 1640, 1660, 1644, 1666, 2166	New Wear Bars, Reg. Size Hardened, Replaces OEM P/N 180786C2	
1440, 1460, 1640, 1660, 1644, 1666, 2166	New Wear Bars, Large Size Hardened	CYL WPB95524HL
1440, 1460, 1640, 1660, 1644, 1666, 2166	New Wear Bars, Reg. Size Chrome Replaces OEM P/N 1309310C1	CYL WPB94525
1440, 1460, 1640, 1660, 1644, 1666, 2166	New Wear Bars, Large Size Chrome	CYL WPB94525CL
1480, 1482, 1680, 1682, 1688, 2188	New Wear Bars, Reg. Size Hardened, Replaces OEM P/N 183264C2	CYL WPB94526
1480, 1482, 1680, 1682, 1688, 2188	New Wear Bars, Large Size Hardened	CYL WPB94526HL
1480, 1482, 1680, 1682, 1688, 2188	New Wear Bars, Reg. Size Chrome, Replaces OEM P/N 1309186C1	CYL WPB94527
1480, 1482, 1680, 1682, 1688, 2188	New Wear Bars, Large Size Chrome	CYL WPB94527CL
1480, 1482, 1680, 1682, 1688, 2188	New Wear Bars, Reg. Size Chrome, Replaces OEM P/N 1309186C1	CYL WPB94527

### Rotor Transition Cones

Rotor cones are made of abrasive resistant steel.

$\frac{5}{32}$ " Cone with one welded seam - Compares to OEM 3 or 5 seam cone.

$\frac{3}{16}$ " Cone with one welded seam - Compares to OEM rice cone.

$\frac{1}{4}$ " Cone with one welded seam - Not offered by OEM.



APPLICATION	DESCRIPTION	PART NUMBER
1420	New Rotor Transition Cone, $\frac{3}{16}$ " thick - with $\frac{1}{8}$ " vanes	CYL WPCCIHC32W
1440, 1460, 1660, 1644, 1666, 2166	New Rotor Transition Cone, $\frac{5}{32}$ " thick - with $\frac{1}{8}$ " vanes	CYL WPB92769
1440, 1460, 1660, 1644, 1666, 2166	New Rotor Transition Cone, $\frac{5}{32}$ " thick - with $\frac{1}{8}$ " vanes	CYL WPB92769
1440, 1460, 1660, 1644, 1666, 2166	New Rotor Transition Cone, $\frac{3}{16}$ " thick - with $\frac{1}{8}$ " vanes	CYL WPB82770
1480, 1482, 1680, 1682, 1688, 2188	New Rotor Transition Cone, $\frac{5}{32}$ " thick - with $\frac{1}{8}$ " vanes	CYL WPB92771
1480, 1482, 1680, 1682, 1688, 2188	New Rotor Transition Cone $\frac{3}{16}$ " thick	CYL WPB92772 ( $\frac{1}{8}$ " Vanes) CYL WP443123A1 ( $\frac{3}{16}$ " Vanes)
1480, 1482, 1680, 1682, 1688, 2188	New Rotor Transition Cone, $\frac{1}{4}$ " thick - with $\frac{3}{16}$ " vanes	CYL WPCCIHC84W-3

### Rotor Cone Parts

Complete vane kits for Rotor Transition Cones. Includes mounting hardware.



APPLICATION	DESCRIPTION	PART NUMBER
1420	Rotor Transition Cone Vane Kits	CYL WPCPRK-1420
1440, 1460, 1660, 1644, 1666, 2166	Rotor Transition Cone Vane Kits, Stainless Steel* Complete set of vanes and hardware *Stainless steel vanes include wear resistant T bolts.	CYL WPCPRK-1440-3 ( $\frac{1}{8}$ " ) CYL WPCPRK-1440-3S ( $\frac{3}{16}$ " )
1480, 1482, 1680, 1682, 1688, 2188	Rotor Transition Cone Vane Kits, Stainless Steel* Complete set of vanes and hardware *Stainless steel vanes include wear resistant T bolts.	CYL WPB93194 ( $\frac{1}{8}$ " ) CYL WPCPRK-1480-3 ( $\frac{3}{16}$ " ) CYL WPCPRK-1480-3S ( $\frac{3}{16}$ " )

## FITS INTERNATIONAL

### Vane Transports and Parts

APPLICATION	DESCRIPTION	PART NUMBER
1440, 1460, 1640, 1660, 1644, 1666, 2144, 2166, 2344, 2366	New Vane Transport Right hand w/o vanes	CYL WP191271C5
1440, 1460, 1470	New Vane Transport, Left Hand	CYL WP191847C6
1440, 1460	New Vane Transport, Left Hand w/vanes	CYL WPVTIHC1460LW
1480	New Vane Transport, Right Hand w/o vanes	CYL WP1302161C4
1480, 1482	New Vane Transport, Left Hand	CYL WP1302162C3
1480	New Vane Transport, Left Hand w/vanes	CYL WPVTIHC1480LW
1640, 1660, 1644, 1666, 2144, 2166, 2344, 2366	New Vane Transport Right Hand w/o vanes	CYL WP1318419C2
1680, 1688, 2188, 2388	New Vane Transport, Right Hand w/o vanes	CYL WP132661C1
1680, 1688, 2188, 2388	New Vane Transport, Left Hand w/vanes	CYL WPVTIHC1680LW
1440, 1460, 1640, 1660, 1644, 1666, 2144, 2166, 2344, 2366	New Vane Kits, Stainless Steel* Complete set of vanes and hardware *Stainless steel vanes include wear resistant T bolts.	CYL WPB94097 (1/8") CYL WPCPVK-1440-3 (3/16") CYL WPCPVK-1440-3S (3/16")
1480, 1680, 1688, 2188, 2388	New Vane Kits, Stainless Steel* Complete set of vanes and hardware *Stainless steel vanes include wear resistant T bolts.	CYL WPB94098 CYL WPCPVK-1480-3 (3/16") CYL WPCPVK-1480-3S (3/16")

### Rotor Front Kit

APPLICATION	DESCRIPTION	PART NUMBER
60 Series	Front Rotor Kit	CYL WPX27122



### Rotor Assemblies

APPLICATION	DESCRIPTION	PART NUMBER
1440, 1460, 1640, 1660, 1644, 1666, 2144, 2166	Remanufactured Specialty Rotor w/chrome bars	CYL WPR1460-RC
1480, 1680, 1688, 2188	Remanufactured Specialty Rotor w/chrome bars	CYL WPR1480-RC



### Cleaning Fan Shafts

APPLICATION	DESCRIPTION	PART NUMBER
1420, 1440, 1460, 1470, 1480, 1482, 1620, 1640, 1660, 1666, 1670, 1680, 2682, 1688, 2144, 2166, 2188, 2344, 2366, 2388	New Cleaning Fan Hub Assembly	CYL WP185286C91
1480 (Eff. S/N 24852), 1680	New Cleaning Fan Shaft	CYL WP1309015C1
1440, 1460, 1470, 1640, 1660, 1670	New Cleaning Fan Shaft	CYL WP1309016C1
1440, 1460	New Cleaning Fan Shaft	CYL WP183445C2
1480 (Prior S/N 14000)	New Cleaning Fan Shaft	CYL WP191923C2

## FITS INTERNATIONAL

### Fan Drive Variable Speed Sheaves

APPLICATION	DESCRIPTION	PART NUMBER
1420, 1440, 1460, 1480, 1620, 1640, 1660, 1680	New ½ Sheave Adjustable (11.24" O.D.) w/o bushings	CYL WP1324948C1
1420, 1440, 1460, 1480, 1620, 1640, 1660, 1680	New ½ Sheave, Fixed (11.24 O.D.)	CYL WP1324949C1

### Harvest Fan Throat Kits for CASE-IH Rotary Combines

#### OLD STYLE CASE -IH PADDLE STYLE FAN

The Open End Fan Kit increases the intake area of the fan by over 40% to increase fan efficiency and the Throat Tin squeezes the air down so it has to come through the chaffer and not blow over it. The kit includes guide vanes which direct more air to the center of the chaffer.

DESCRIPTION	WT	PART NO.
IH 1440/60, 1640/60 WITH OLD STYLE PADDLE FAN	39	CYL FTK 2175
IH 1480/82 WITH OLD STYLE PADDLE FAN	40	CYL FTK 2190

#### CASE-IH CROSS FLOW FAN

While the new Cross Flow Fan provides more air and a better distribution than the old type paddle style fan a substantial amount of air still escapes over the chaffer. The Harvest Throat Tin squeezes the air down, forcing it through the front of the chaffer rather than over it.



DESCRIPTION	WT	PART NO.
IH 1666, 2166, 2366 OR 1440/60 WITH CROSS FLOW FAN	20	CYL FTK2166
IH 1688, 2188, 2388 OR 1480/82 WITH CROSS FLOW FAN	33	CYL FTK2188

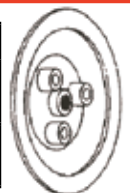
### Separator Clutch, Pressure Plates, and Shafts

NUMBER	APPLICATION	DESCRIPTION	PART NUMBER
	403, 503, 453, 715	New Hollow Shaft	CYL WP629836
	403, 453, 503, 715	Remanufactured Over-center type pressure plate includes CYL WP154759 Clutch	CYL WP161165-R (Reman)
	403, 453, 503, 715	Remanufactured 6 button clutch used in CYL WP16165 assy.	CYL WP154759-R (Reman)
	815, 915	Remanufactured Over-center type pressure plate does not include clutch disk.	CYL WP167968-R (Reman)
	815, 915	Remanufactured 4 button clutch for CYL WP167968 pressure	CYL WP167967-R (Reman)
1	815, 915	New Hollow Shaft, 17 splines, 1.770" dia	CYL WP158185
2	1420, 1440, 1460, 1480, 1620, 1640, 1644, 16660, 1666, 1670, 1680, 1688, 2144, 2166, 2188, 2344, 2366, 2388	New Solid P.T.O. Shaft	CYL WP192816C1



### Separator Jackshafts and Sheaves

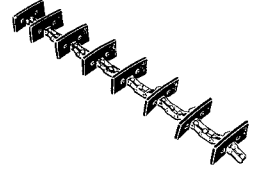
APPLICATION	DESCRIPTION	PART NUMBER
1420, 1440, 1460, 1480, 1640 (Prior S/N 24223), 1660 (Prior S/N 26711), 1680 (Early)	New 1/2 Sheaves One piece assy.	CYL WP193622C2
1420, 1440, 1460, 1480, 1640 (Prior S/N 24223), 1660 (Prior S/N 26711), 1680 (Early)	New Shaft Units without chopper	CYL WP1308505C1



# FITS INTERNATIONAL

## Elevator Chains

Our elevator chains have rubber paddles. Paddles are fastened to the chain with  $\frac{5}{16}$ " plated bolts and locknuts. Chains feature full side plates for added strength. To extend the life of your chain assemblies, always replace the sprockets when installing a new chain.



APPLICATION	DESCRIPTION	PART NUMBER
303, 403, 503, 715	New Clean Grain Elevator Chain 126 link - 6 $\frac{3}{4}$ " x 2 $\frac{3}{4}$ " paddles every 4th link	Rubber CYL WP150705C91
815, 914, 915	New Clean Grain Elevator Chain 152 link - 7 $\frac{5}{8}$ " x 2 $\frac{3}{4}$ " paddles every 4th link	Rubber CYL WP177453C91
1420, 1620	New Clean Grain Elevator Chain 149 links - 6 $\frac{1}{2}$ " x 2 $\frac{3}{4}$ " paddles every 4th link	Rubber CYL WP186221C1
1440, 1460, 1640, 1660, 1644, 1666, 2144, 2166, 2344, 2366	New Clean Grain Elevator Chain 149 links - 7 $\frac{5}{8}$ " x 2 $\frac{3}{4}$ " paddles every 4th link	Rubber CYL WP1302201C91
1460 Rice	New Clean Grain Elevator Chain 172 links - 7 $\frac{1}{2}$ " x 2 $\frac{3}{8}$ " paddles every 4th link	Rubber CYL WP180508C91
1480, 1482	New Clean Grain Elevator Chain 160 links - 7 $\frac{5}{8}$ " x 3 $\frac{3}{4}$ " paddles every 4th link	Rubber CYL WP1302195C91
1640, 1644, 1660, 1666, 2144, 2166, 2344, 2366	New Clean Grain Elevator Chain 152 links - 5 $\frac{5}{8}$ " x 4" paddles every 4th link	Rubber CYL WP1321334C92
1680, 1682, 1688, 2188, 2388	New Clean Grain Elevator Chain 152 link - 7 $\frac{5}{8}$ " x 3 $\frac{3}{4}$ " paddles every 4th link	Rubber CYL WP1317482C92
1680, 1682 Rice	New Clean Grain Elevator Chain 176 links - 7 $\frac{5}{8}$ " x 3 $\frac{3}{4}$ " paddles every 4th link	Rubber CYL WPX29003
303, 403, 503, 715	New Return Grain Elevator Chain 158 links - 5 $\frac{7}{8}$ " x 2 $\frac{7}{8}$ " paddles every 6th link	Rubber CYL WP170978C91

**FITS INTERNATIONAL**

**Elevator Chain Sprockets**



APPLICATION	DESCRIPTION	PART NUMBER
815, 915 (Eff S/N 8001), 1420 1480 S/N 14001->	New Clean Grain Elevator Chain Sprocket, Upper 7 Teeth, 1" Shaft - Forged Carbon Steel, Induction Hardened Teeth	CYL WP168683C1 CYL WSPSP116H (Hardened)
1420, 1440 (Prior S/N 10000), 1460 (Prior S/N 12001)	New Clean Grain Elevator Chain Sprocket, Upper 6 Teeth, 1" Shaft - Forged Carbon Steel, Induction Hardened Teeth	CYL WP165292C1
1440, 1480 1560 (Eff S/N 12001)	New Clean Grain Elevator Chain Sprocket, Upper 7 Teeth, 1.125" Shaft - Forged Carbon Steel, Induction Hardened Teeth	CYL WP1302200C1 CYL WP1302200C1H (Hardened)
1640, 1644, 1660, 1666, 1680, 1688, 2144, 2166, 2188, 2344, 2366, 2388	New Clean Grain Elevator Chain Sprocket, Upper 9 Teeth, 1.250" Shaft - Forged Carbon Steel, Induction Hardened Teeth	CYL WP 1317192C2 CYL WP1317192C2H (Hardened)
715, 815, 1420 915 (Eff S/N 8001), 1440 (Prior S/N 10000), 1460 (Prior S/N 12001)	New Clean Grain Elevator Chain Sprocket, Lower 6 Teeth, 1" Shaft - Forged Carbon Steel, Induction Hardened Teeth	CYL WP165292C1
1440 (Eff S/N 10001) 1460 (Eff S/N 12001) 1640, 1660, 1644, 2144, 2166, 2344, 2366	New Clean Grain Elevator Chain Sprocket, Lower 7 Teeth, 1" Shaft - Forged Carbon Steel, Induction Hardened Teeth	CYL WP168683C1 CYL WSPSP116H (Hardened)
1440 (Eff S/N 20484) 1460 (Eff S/N 33286) 1480 (Eff S/N 34001)	New Clean Grain Elevator Chain Sprocket, Lower 7 Teeth, 1.250" Shaft - Forged Carbon Steel, Induction Hardened Teeth	CYL WP1319176C1
1480 (Prior S/N 140010)	New Clean Grain Elevator Chain Sprocket, Lower 6 Teeth, 1.135" Shaft	CYL WP186720C1
1640, 1644, 1660, 1666, 1680, 1688	New Clean Grain Elevator Chain Sprocket, Lower 9 Teeth, 1.250" Shaft - Forged Carbon Steel, Induction Hardened Teeth	CYL WP131792C2 CYL WP131792C2H (Hardened)
2188, 2388	New Clean Grain Elevator Chain Sprocket, Lower 9 Teeth, 1.375" Shaft - Forged Carbon Steel, Induction Hardened Teeth	CYL WP143960A1 CYL WP143960A1H (Hardened)
1420, 1440 (Prior S/N 10000), 1460 (Prior S/N 12001), 1480 S/N <-14000	New Return Grain Elevator Chain Sprocket, Upper 6 Teeth, 1" Shaft - Forged Carbon Steel, Induction Hardened Teeth	CYL WP165292C1
1440 (Eff S/N 10001) 1460 (Eff S/N 12001) 1480 (Eff S/N 34001) 1640, 1644, 1660, 1666, 1680, 1688, 2144, 2166, 2344, 2366	New Return Grain Elevator Chain Sprocket, Upper 7 Teeth, 1" Shaft - Forged Carbon Steel, Induction Hardened Teeth	CYL WP168683C1 CYL WSPSP116H (Hardened)
715, 815, 1420 915 (Eff S/N 8001), 1440 (Prior S/N 10000), 1460 (Prior S/N 12001)	New Return Grain Elevator Chain Sprocket, Lower 6 Teeth, 1" Shaft - Forged Carbon Steel, Induction Hardened Teeth	CYL WP165292C1
1440 (Eff S/N 10000) 1460 (Eff S/N 12001)	New Return Elevator Chain Sprocket, Lower 7 Teeth, 1" Shaft - Forged Carbon Steel, Induction Hardened Teeth	CYL WP168683C1 CYL WSPSP116H (Hardened)
1480 (Prior S/N 14001)	New Return Grain Elevator Chain Sprocket, Lower 6 Teeth, 1.125" Shaft	CYL WP186720C1
1480 (Eff S/N 14001) 1680, 1688	New Return Grain Elevator Chain Sprocket, Lower 7 Teeth, 1.125" Shaft - Forged Carbon Steel, Induction Hardened Teeth	CYL WP1302200C1 CYL WP1302200C1H (Hardened)
2144, 2166, 2188, 2344, 2388, 2366	New Return Grain Elevator Chain Sprocket, Lower 7 Teeth, 1.250" Shaft - Forged Carbon Steel, Induction Hardened Teeth	CYL WP1319176C1 CYL WSPSP120H (Hardened)



## FITS INTERNATIONAL

### Elevator Housings

APPLICATION	DESCRIPTION	PART NUMBER
1680, 1682, 1688, 2188, 2388	New Clean Grain New Clean Grain - Stainless Steel	CYL WP1317456C3 CYL WP1321560C3E
1640, 1644, 1660, 1666, 2144, 2166, 2344, 2366	New Clean Grain	CYL WP1317376C9
1680, 1682, 1688, 2188, 2388	Deflector	CYL WP1318590C3
1680, 1682, 1688, 2188, 2388	Door, Boot - Non-Perforated Rear Cover Front Cover Boot Inner Side	CYL WP1317430C1 CYL WP1317437C1 CYL WP1317439C1 CYL WP1318584C2
1640, 1644, 1600, 1666, 1670, 1680, 1682, 1688, 2144, 2166, 2344, 2366	Clean Grain Elevator Outer Boot Side w/o Yield Monitor	CYL WP1318585C3
2188, 2388	Clean Grain Elevator Outer Boot Side w/o Yield Monitor	CYL WP176175A2
2144, 2166, 2188, 2344, 2366, 2388	Clean Grain Elevator Outer Boot Side w/ Yield Monitor	CYL WP223237A1
1660, 1666, 1680, 1688, 2144, 2166, 2188, 2344, 2366, 2388	Clean Grain Elevator Head Right Hand Cover	CYL WP1319908C1
2366, 2388	Clean Grain Elevator Head Side Plate	CYL WP251458A1



### Elevator Head Shafts

APPLICATION	DESCRIPTION	PART NUMBER
1440 (Prior S/N 10000), 1460 (Prior S/N 12000)	Clean Grain Elevator Head Shaft, 13.000" Long, New 6 Tooth Sprockets Available. See CYL WP165292C1.	CYL WP191694C1
1440 (Eff S/N 10000), 1460 (Eff S/N 12000), 1480	Clean Grain Elevator Head Shaft, 13.310" Long New 7 Tooth Sprockets Available. See CYL WP1302200C1 or CYL WP130220C1H	CYL WP186723C1
1440, 1460, 1480, 1640, 1660, 1680, 1644, 1666, 244, 2166, 2188, 2344, 2366, 2388	Tailings Elevator Head Shaft, 11.000" Long New 7 Tooth Sprockets Available. See CYL WP168683C1	CYL WP191785C1
1640, 1660, 1666, 2144, 2166, 2344, 2366	Clean Grain Elevator Head Shaft, 10.970", New 9 Tooth Sprockets Available. See CYL WP1317192C2 or CYL WP1317192C2H	CYL WP1317429C1
1680, 1688, 2188, 2388	Clean Grain Elevator Head Shaft, New 9 Tooth Sprockets Available. See CYL WP1317192C2 or CYL WP1317192C2H	CYL WP1317470C1



### Elevator Drive Shafts

APPLICATION	DESCRIPTION	PART NUMBER
1420, 1440, 1460, 1480, 1620, 1640 (Prior S/N JJC0097103), 1660 (Prior S/N JJC0102897), 1680 (Prior S/N JJC0115352)	New Elevator Drive Shaft, Horizontal Auger Gear Shaft	CYL WP1327738C2
1440, 1460	Tailings Elevator Drive Shaft, 27.5" Long w/o threads	CYL WP194796C2

### Separator Gear Box Assembly

APPLICATION	DESCRIPTION	PART NUMBER
1480, 1680 Early	Remanufactured Separator Gear Box Assembly	CYL WP184427-R1480
Late- 1680, 1688, 2188	Remanufactured Separator Gear Box Assembly	CYL WP184427-R1680



## FITS INTERNATIONAL

### Beater Shafts

APPLICATION	DESCRIPTION	PART NUMBER
1440, 1460, 1640, 1644, 1660, 1666, 2144, 2166, 2344, 2366	New Beater Shaft	CYL WP1302175C1
1480, 1680	New Beater Shaft	CYL WP1302176C1



### Beater Blades

APPLICATION	DESCRIPTION	PART NUMBER
1480, 1680, 1688, 2188, 2388	New Beater Blade	CYL WP1319270C1
1440, 1460, 1640, 1644, 1660, 1666, 2144, 2166, 2344, 2366	New Beater Blade (3 Req)	CYL WP1319269C1



### Unloading Housings

APPLICATION	DESCRIPTION	PART NUMBER
815 Low Profile, 915 (Eff. S/N 8001)	New Lower Unloading Housing	CYL WP178113C91
1420, 1440, 1460, 1480, 1640 (Prior S/N 97103) 1660 (Prior S/N 102897), 1680 (Prior S/N 115352)	CYL WP1327976C91	CYL WP1327976C91
1420, 1440, 1460, 1470, 1482, 1620, 1640, 1644, 16660, 1666, 1670, 1680, 1682, 1688, 2144, 2166, 2188, 2388, 2344, 2366, 2388	New Elevator Sump	CYL WP192475C3



### Unloading Auger Swing Cylinders

APPLICATION	DESCRIPTION	PART NUMBER
1420, 1440, 1460, 1480	New Unloading Auger Swing Cylinder	CYL WP113960C92



### Unloading Auger Bevel Gears

APPLICATION	DESCRIPTION	PART NUMBER
1420, 1440, 1460, 1480, 1620 1640 (Prior S/N 97103) 1660 (Prior S/N 102897) 1680 (Prior S/N 115352)	New Unloading Auger Bevel Gears Sold as set only	CYL WP186517C1



### Unloading Gearbox Shafts

APPLICATION	DESCRIPTION	PART NUMBER
Low Pro 815, 915 (Eff. S/N 8001)	New Unloading Gearbox Shaft, Horizontal	CYL WP178115C1
Low Pro 815, 915, (Eff S/N 8001)	New Unloading Gearbox Shaft, Vertical	CYL WP178116C1
1420, 1440, 1460, 1480, 1620, 1640, (Prior S/N 97103), 1660 (Prior S/N 102897) 1680 (Prior S/N 115352)	New Unloading Gearbox Shaft, Vertical	CYL WP1327739C2



## FITS INTERNATIONAL

### Augers - Lower Clean Grain

Our augers are made with continuous roll formed fighting for accuracy. Available in standard or hard surfaced outer edge on the lead end for longer wear.



APPLICATION	DESCRIPTION	PART NUMBER
1440 (Prior S/N 30484) 1460 (Prior S/N 33285)	New Lower Clean Grain Auger Bearing - 2 Req'd, 1" Shaft, 70.375" Long	CYL WP191737C1 BED SA205-16
1440 (Eff S/N 30484), 1460 (Eff S/N 33285)	New Lower Clean Grain Auger, Sprocket - Forged Carbon Steel, Induction Hardened Teeth Bearing, 1 1/4" Shaft, 70.375" Long, When replacing for 191737C1, on Early 1440 & 1460 units, sprocket P/N CYL WP1319176C1 is required.	CYL WP1319169C1 CYL WP1319176C1 BED SA205-16
1480 (Eff S/N 34001), 1680	New Lower Clean Grain Auger Bearing - 2 Req'd 1.25" Shaft w/7" O.D. Fighting, 76.00" Long, Replaces OE P/N 1317409C1	CYL WP1319173C1 BED SA206-18
1640, 1660, 1644, 1666, 2144, 2166	New Lower Clean Grain Auger 68.250" Long	CYL WP1317484C1
1680, 1688	New Lower Clean Grain Auger Bearing 8" O.D. Fighting	CYL WP1317409C1 BED SA206-20
2188, 2388	New Lower Clean Grain Auger Bearing - 2 Req'd	CYL WP143959A2 BED SA207-22

### Augers - Lower Tailing Return

Our augers are made with continuous roll formed fighting for accuracy. Available in standard or hard surfaced outer edge on the lead end for longer wear.



APPLICATION	DESCRIPTION	PART NUMBER
1440, 1460, 1640, 1660	New Lower Return Auger, Bearing - 2 Req'd 62.5" Long	CYL WP191734C1 BED SA205-16
1480, 1482, 1680, 1682, 1688	New Lower Return Auger, Bearing - 2 Req'd 1 1/8" Shaft	CYL WP192549C2 BED SA206-18
2188, 2388	New Lower Return Auger, Bearing - 2 Req'd 1 1/4" Shaft	CYL WP144028A2 BED SA206-20

### Augers - Top Tailing Return

Our augers are made with continuous roll formed fighting for accuracy. Available in standard or hard surfaced outer edge on the lead end for longer wear.



APPLICATION	DESCRIPTION	PART NUMBER
1440, 1460, 1640, 1660, 1666, 2144, 2166, 2344, 2366	New Top Return Auger, 35 1/4"	CYL WP193225C1
1480, 1680, 1688, 2188, 2388	New Top Return Auger, 37 5/8"	CYL WP192563C1

## FITS INTERNATIONAL

### Augers - Grain Delivery Leveling Auger

Our augers are made with continuous roll formed flighting for accuracy. Available in standard or hard surfaced outer edge on the lead end for longer wear.



APPLICATION	DESCRIPTION	PART NUMBER
1440 (Eff S/N 5001)	New Grain Delivery Leveling Auger, Slide-on Short Auxillary Flight, Bearing - 2 Req'd, Horizontal, 81.188" Long	CYL WP1319710C1 CYL WP162103C91 (11.5") BED SA206-18
1480	New Grain Delivery Leveling Auger, Slide-on Short Auxillary Flight, Bearing - 2 Req'd, 1" Shaft - Horizontal, 79.375" Long	CYL WP1319709C1 CYL WP162103C91 (11.5") BED SA206-18
1620 (Late), 1640 (Early), 1644, 1666	New Grain Delivery Leveling Auger, Slide-on Short Auxillary Flight, Bearing, 1 1/8" Shaft - Horizontal	CYL WP1318912C3 CYL WP162103C91 (11.5") BED SA206-20
1660, 1680, 1688, 2144, 2166, 2188, 2344, 2366, 2388	New Grain Delivery Leveling Auger, Bearing Inclined - Standard Flight	CYL WP1968853C1 BED SA207-22
1660, 1680, 1688, 2144, 2166, 2188, 2344, 2366, 2388	New Grain Delivery Leveling Auger Bearing Bearing, Inclined - Hard Chromed Flight	CYL WP222801A4 BED SA205-16 BED SA207-22
1660, 1680, 1688, 2144, 2166, 2188, 2344, 2366, 2388	New Grain Delivery Leveling Auger, Inclined - Split Flighting 1/4" Flighting, Hardened	CYL WP320724A3

### Augers - Distribution

APPLICATION	DESCRIPTION	PART NUMBER
All Rotaries	New Distribution auger, Right Hand Flighting, 1 1/8" hex. shaft, 78"	CYL WP193398C1
All Rotaries	New Distribution Auger, Right Hand Flighting, 7/8 hex. shaft 78 1/4"	CYL WP1308541C1
All Rotaries	New Shoe Auger Board, One board per auger required Replaces OE P/N 1308541C1	CYL WP193414C2



### Distribution Auger Pan

APPLICATION	DESCRIPTION	PART NUMBER
1440, 1460, 1640, 1644, 1660, 1666, 1670, 2144, 2166, 2344, 2366	New Distribution Plan	CYL WP185038C7
1480, 1680, 1688, 2188, 2388	New Distribution Plan	CYL WP191645C6
1480, 1680, 1688, 2188, 2388	New Front Panel	CYL WP1345014C3
1480, 1680, 1688, 2188, 2388	New Clean out Door, 5 Req'd	CYL WP185068C1



### Augers - Unloading

Our augers are made with continuous roll formed flighting for accuracy. Available in standard or hard surfaced outer edge on the lead end for longer wear.



APPLICATION	DESCRIPTION	PART NUMBER
815 & 915 S/N 8001->	New Vertical Unloading Auger, 55.250"	CYL WP178117C1
1440, 1460, 1480, 1640 (Prior S/N 97102), 1660 (Prior S/N 102896), 1680 (Prior S/N 115251)	New Vertical Unloading Auger, Single Flighting Auger 49.25" Long, Smooth Hole	CYL WP192835C1
1440, 1460, 1480, 1640 (Prior S/N 97102), 1660 (Prior S/N 102896), 1680 (Prior S/N 115351)	New Vertical Unloading Auger, Double Flight Auger 49.25" Long, Smooth Hole	CYL WP132434C1
1440*, 1460*, 1480*, 1640*, 1660*, 1680*	New Vertical Unloading Auger, 1 3/8" bottom spline, 1 3/8" round top hub, 49.25" Long *For early models with retrofit/update new enclosed gear box.	CYL WP1347341C1
1640 (Eff S/N 97103), 1660 (Eff S/N 102897), 1680 (Eff S/N 115352), 1644, 1666, 1688, 2188	New Vertical Unloading Auger, Single Flight, Splined top and bottom, 50" Long	CYL WP1347389C1

# FITS INTERNATIONAL

## Augers - Distribution

Our augers are made with continuous roll formed flighting for accuracy. Available in standard or hard surfaced outer edge on the lead end for longer wear.

APPLICATION	DESCRIPTION	PART NUMBER
815, 915 (S/N 8001)	New Horizontal Unloading Auger Bearing Low profile, long length 164" Long	CYL WP178172C1 BEI SB205-16
1400 Series	Horizontal Unloading Auger Tube - Rear Horizontal Unloading Auger  1 pc Setup - Standard	CYL WP195342C1 (87") CYL WP192845C2 Hardened CYL WP192845C2H
1400 Series	Horizontal Unloading Auger Tube - Front Horizontal unloading auger Tube - Rear Horizontal Unloading Auger  Bearing 1 pc Setup - Long	CYL WP192089C1 (85.5") CYL WP195342C1 (87") CYL WP1317935C1 CYL WP1317935C1H (Hardened) BED SA206-20
1600 Series	Horizontal Unloading Auger Tube - Front Horizontal Unloading Auger Tube - Rear Horizontal Unloading Auger  1 pc Setup - 172" Early Style - Smooth Hole	CYL WP1317738C1 (90") CYL WP1317783C2 (82.5") CYL WP1317935C1
1600 Series	Horizontal Unloading Auger Tube - Front Horizontal Unloading Auger Tube - Rear Horizontal Unloading Auger  1 pc Setup - 172" Late Style - Splined Hole	CYL WP1317738C1 (90") CYL WP1317783C2 (82.5") CYL WP1347499C1
(1640, 1660, 1680) - Early	Horizontal Unloading Auger Tube - Front Horizontal Unloading Auger Tube - Rear Horizontal Unloading Auger - Front - Smooth Horizontal Unloading Auger - rear Hex Shaft 2 pc Setup - 172" overall Early Style - Smooth Hole	CYL WP1317738C1 (90") CYL WP1317783C2 (82.5") CYL WP1317891C1 CYL WP1317680C2 (88") CYL WP220040A2
1640, 1660, 1666, 1680, 1688, 2144, 2166, 2188, 2344, 2366, 2388	Horizontal Unloading Auger Tube - Front Horizontal Unloading Auger Tube - rear Horizontal Unloading Auger - Front - Splined Horizontal Unloading Auger - rear Hex Shaft 2pc Setup - 172" overall Late Style - Splined Hole	CYL WP1317738C1 (90") CYL WP1317783C2 (82.5") CYL WP198987A2 CYL WP1317680C2 (88") CYL WP220040A2
1640, 1660, 1666, 1680, 1688, 2144, 2166, 2188, 2344, 2366, 2388	Horizontal Unloading Auger Tube - Front Horizontal Unloading Auger Tube - Rear Horizontal Unloading Auger Front - Splined Horizontal Unloading Auger - Rear Hex Shaft 2pc setup - 208" overall Late Style - Splined Hole	CYL WP1317738C1 (90") CYL WP1317899C3 (118") CYL WP198987A2 CYL WP199023A2 (125.5") CYL WP220040A2
1644, 1660, 1666, 1680, 1688, 2144, 2166, 2188, 2344, 2366, 2388	Horizontal Unloading Auger Outer Tube Horizontal Unloading Auger 1pc Extender setup - 248" overall Tube and Auger must be used together	CYL WP1317899C3-3 CYL WP199023A2-3



## FITS INTERNATIONAL

### Augers - Grain Tank Bottom

Our augers are made with continuous roll formed flighting for accuracy. Available in standard or hard surfaced outer edge on the lead end for longer wear.



APPLICATION	DESCRIPTION	PART NUMBER
1440-1688, 2144, 2166, 2188, 2344, 2366, 2388 front & rear	New grain Tank Bottom auger, Bearing - 2 Req'd	9' CYL WP192784C3 BED SA205-16

### Augers Extension Kits, Unloading

Combines using oversized headers demand greater unloading auger length. Use the EXTENDER for safe, easy and fast unloading into grain cars, wagons, trucks and semi-trailers. Simple, do it yourself installation. No cutting required. Comes complete with mounting hardware.



APPLICATION	DESCRIPTION	PART NUMBER
1420, 1440, 1460, 1480, 1620, 1640, 1660, 1680	New Auger Extension Kits, Unloading, 3 Ft. Auger Ext. Kit	CYL WPCIH3EXT
1644, 1660, 1666, 1680, 1688, 2144, 2166, 2188, 2344, 2366, 2388	Horizontal Unloading Auger Outer Tube, Horizontal Unloading Auger, 1pc Extender setup - 248" overall Tube and Auger must be used together.	CYL WP131789C3-3 CYL WP199023A2-3

### Spreader Shafts

APPLICATION	DESCRIPTION	PART NUMBER
1440, 1460, 1470, 1640, 1644, 1660, 1666, 1670, 2144, 2166, 2344, 2366	New Spreader Shaft Horizontal 47.50", 0.875 Hex	CYL WP192242C4
1420, 1440, 1460, 1470, 1480, 1482, 1640, 1644, 1660, 1666, 1670, 1680, 1688	New Spreader Shaft Vertical - 10.625, 0.875 Hex	CYL WP192240C1
1480, 1482, 1680, 1682, 1688, 2188, 2388	New Spreader Shaft Horizontal - 58.00", 0.875 Hex	CYL WP192241C4



## FITS INTERNATIONAL

### Short Finger Top Chaffers

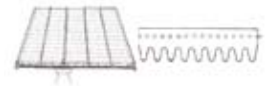
Adjustable Short Finger Chaffers - These adjustable Chaffers feature nylon adjustable mechanisms and cushions in each wire hole to improve adjustments and reduce friction, wear, and breakage. Individual replacement louvers make for easier repairs. Wire spacing is 1 1/8".



APPLICATION	DESCRIPTION	PART NUMBER
815 (Eff S/N 4689), 1420, 1620	New Short Finger Top Chaffer, 35.80" x 61.88"	CYL WP1330683C1
815 (Eff S/N 4689), 1420, 1620	New Short Finger Top Chaffer, Wide Spaced - 1 5/8", 35.80" x 61.88"	CYL WPSFIHC-1420W
915 (Eff S/N 3180), 1440, 1460, 1640, 1660	New Short Finger Top Chaffer, 45.00" x 61.88"	CYL WP1330684C2
915 (Eff S/N 3180), 1440, 1460, 1640, 1660	New Short Finger Top Chaffer, Wide Spaced - 1 5/8", 45.00" x 61.88"	CYL WP1330685C1
1480, 1680	New Short Finger Top Chaffer, Short Shoe, 60.00" x 61.88"	CYL WP1330687C3
1480, 1680	New Short Finger Top Chaffer, Short Shoe - Wide Spaced - 1 5/8" 60.00" x 61.88"	CYL WPSFIHC-1480W
1644, 1666, 2144, 2166, 2344, 2366	New Short Finger Top Chaffer, Long Shoe, 45.00" x 74.88"	CYL WP1957316C6
1644, 1666, 2144, 2166, 2344, 2366	New Short Finger Top Chaffer, Long Shoe - Wide Spaced 1 5/8" 45.00" x 74.88"	CYL WPSFIHC-1644W
1680, 1688, 2188, 2388	New Short Finger Top Chaffer, Long Shoe, 60.00" x 74.88"	CYL WP1322467C5
1680, 1688, 2188, 2388	New Short Finger Top Chaffer, Long Shoe - Wide Spaced - 1 5/8" 60.00" x 74.88"	CYL WP1322673C5

### Long Finger Top Chaffers

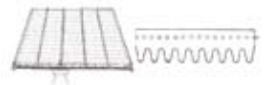
Adjustable Long Finger Chaffers - These adjustable Chaffers feature nylon adjustable mechanisms and cushions in each wire hole to improve adjustments and reduce friction, wear, and breakage. Individual replacement louvers make for easier repairs. Wire spacing is 1 5/8".



APPLICATION	DESCRIPTION	PART NUMBER
815 (Eff S/N 4689), 1420, 1620	New Long Finger Top Chaffer, 35.80" x 61.88"	CYL WPLFIHC-1420
915 (Eff S/N 3180), 1440, 1460, 1640, 1660	New Long Finger Top Chaffer, 45.00" x 61.88"	CYL WP1330686C1
1480, 1680	New Long Finger Top Chaffer, Short Shoe, 60.00" x 61.88"	CYL WP1330689C3
1644, 1666, 2144, 2166, 2344, 2366	New Long Finger Top Chaffer, Long Shoe, 45.00" x 74.88"	CYL WP1957314C7
1680, 1688, 2188, 2388	New Long Finger Top Chaffer, Long Shoe, 60.00" x 74.88"	CYL WP1322659C5

### Blunt Finger Bottom Sieves

Adjustable Blunt Finger Sieves - These adjustable sieves feature nylon adjustable mechanisms and cushions in each wire hole to improve adjustments and reduce friction, wear, and breakage. Individual replacement louvers make for easier repairs. Wire spacing is 1 1/8".



APPLICATION	DESCRIPTION	PART NUMBER
815 (Eff S/N 4689), 1420, 1620	New Blunt Finger Bottom Sieve, 36.00" x 51.50"	CYL WPBFHICB-1420
1440, 1460, 1640, 1660	New Blunt Finger Bottom Sieve, 45.20" x 51.50"	CYL WP1346914C2
1480, 1680	New Blunt Finger Bottom Sieve, Short shoe, 60.20" x 51.50"	CYL WP1346915C3
1644, 1666, 2144, 2166, 2344, 236	New Blunt Finger Bottom Sieve, Long Shoe, 45.20" x 65.00"	CYL WP1325323C5
1680, 1688, 2188, 2388	New Blunt Finger Bottom Sieve, Long Shoe, 60.75" x 65.00"	CYL WP1322464C6



## FITS INTERNATIONAL

### Peterson Top Chaffers

Peterson Adjustable Chaffers - Complete with levers for fine tuning, to match specific crop and harvest conditions. Special dividers make the Peterson Chaffer ideal for hill side conditions.



APPLICATION	DESCRIPTION	PART NUMBER
815 (Eff S/N 4689), 1420, 1620	New Peterson Adjustable Top Chaffer; 38.80" x 61.88"	CYL WPPIHC-1420
915 (Eff S/N 3180), 1440, 1460, 1470, 1640, 1660	New Peterson Adjustable Top Chaffer; 45.00" x 61.88"	CYL WPPIHC-1440
1480, 1482, 1680, 1682	New Peterson Adjustable Top Chaffer; Short Shoe, 60.00" x 61.88"	CYL WPPIHC-1480
1644, 1666, 2144, 2166, 2344, 2366	New Peterson Adjustable Top Chaffer; Long Shoe, 45.00" x 74.88"	CYL WPPIHC-1644
1680, 1682, 1688, 2188, 2388	New Peterson Adjustable Top Chaffer; Long Shoe, 60.00" x 74.88"	CYL WPPIHC-1680

### Round Hole Bottom Sieves

Round Hole Bottom Sieves - Made of galvanized material. Dividers included for even distribution and extra strength.



APPLICATION	DESCRIPTION	PART NUMBER
915 Eff. S/N 3180, 1440, 1640, 1470, 1640, 1660	New Round Hole Bottom Sieve, 42.25" x 51.50"; 3/8" hole	CYL WP194350C1
1480, 1680	New Round Hole Bottom Sieve, 60.20" x 51.50"; 3/8" hole	CYL WP186822C2
1644, 1666, 2144, 2166, 2344, 2366	New Round Hole Bottom Sieve, Long shoe 45.20" x 65.00"; 3/8" hole	CYL WP129936A1
1680 Eff. S/N 47412, 1688, 2188, 2388	New Round Hole Bottom Sieve, Long Shoe 60.75" x 65.00"; 3/8" hole	CYL WP1347367C1

### Rigid Air Foil Chaffers

Rigid Air Foil Chaffers - Made of galvanized material. Dividers included for even distribution and extra strength. Preset for maximum performance at normal conditions.  
**LIFETIME WARRANTY**



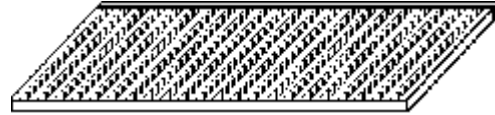
APPLICATION	DESCRIPTION	PART NUMBER
815 (Prior S/N 4689), 1420, 1620	New Rigid Air Foil Chaffer, 35.80" x 61.88"	CYL WPAIHC-1420
915 (Eff S/N 3180), 1440, 1460, 1640, 1660	New Rigid Air Foil Chaffer, 45.00" x 61.88"	CYL WP91515
1480, 1680	New Rigid Air Foil Chaffer, Short Shoe; 60.00" x 61.88"	CYL WPB91516
1644, 1666, 2144, 2166	New Rigid Air Foil Chaffer, Long Shoe; 60.00" x 61.88"	CYL WPB92278
1680, 1688, 2188, 2388	New Rigid Air Foil Chaffer, Long Shoe; 60.00" x 74.88"	CYL WPB91517

# FITS INTERNATIONAL

## Harvest Sieves - Air foil chaffers, plastic adjustable top & bottom sieves

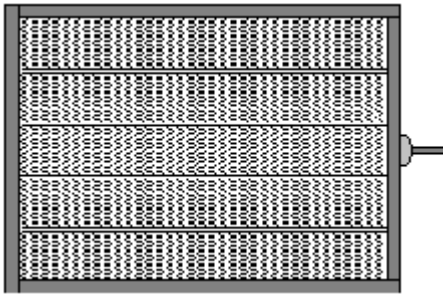
### ALL STEEL AIRFOIL CHAFFER

- Uniform air distribution across entire width of chaffer.
- Cushion of air keeps lighter material suspended while heavier material (grain) falls through.
- Air is directed almost straight up.
- No adjustments - just fan speed.
- Almost 100% recovery from canola to beans.
- Money Back Guarantee & Lifetime Warranty.



### PLASTIC ADJUSTABLE

- Patented plastic sieve is appr. 40% lighter than steel.
- Top chaffer - 1 3/8" spacing standard for 1 1/2" for corn.
- Precision adjustments by increments.



### PLASTIC LOUVER



- Cupped tail scoop on bottom side of louver forces air more vertical.
- Plastic louvers won't rust.
- Smooth profile of louvers reduce sappy weed buildup & "icing".
- Plastic louvers, joiners, etc. are fully replaceable.

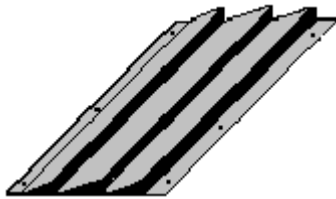
DESCRIPTION	TO FIT	L x W	WT	PART NO.
AIRFOIL CHAFFER	IH 914 SN 1439 & BELOW, 915 SN 3179 & BELOW	64" x 44"	56	CYL CH1125
BOTTOM SIEVE	IH 914 SN 1439 & BELOW, 915 SN 3179 & BELOW	46" x 44"		SHI BS1125
AIRFOIL CHAFFER	IH 914 SN 1440 & UP, 915 SN 3180 & UP, 1440/60, 1640/60	62" x 45"	57	CYL CH1130
ADJUSTABLE CHAFFER	IH 914 SN 1440 & UP, 915 SN 3180 & UP, 1440/60, 1640/60	62" x 45"	64	SHI ACH1130
BOTTOM SIEVE	IH 914 SN 1440 & UP, 915 SN 3180 & UP	46" x 45"	45	SHI BS1130
BOTTOM SIEVE	IH 1440/60, 1640/60	52" x 45"	50	SHI BS1131
BOTTOM SIEVE	IH 1440/60, 1640/60 SHORTENED (FIVE ROWS OF LOUVERS REMOVED)	52" x 45"	50	SHI BS1133
AIRFOIL CHAFFER	IH 1666, 2166, 2366	75" x 45"	70	CYL CH1132
ADJUSTABLE CHAFFER	IH 1666, 2166, 2366	75" x 45"	73	SHI ACH1132
BOTTOM SIEVE	IH 1666, 2166, 2366	62" x 45"	65	SHI BS1132
AIRFOIL CHAFFER	IH 1480/82, 1680/82	62" x 60"	89	CYL CH1135
ADJUSTABLE CHAFFER	IH 1480/82, 1680/82	62" x 60"	80	SHI ACH1135
BOTTOM SIEVE	IH 1480/82, 1680/82	51" x 60"	70	SHI BS1135
BOTTOM SIEVE	IH 1480/82, 1680/82 SHORTENED (FIVE ROWS OF LOUVERS REMOVED)	51" x 60"	70	SHI BS1136
AIRFOIL CHAFFER	IH 1680 LONG SHOE, 1688, 2188, 2388	75" x 60"	96	CYL CH1140
ADJUSTABLE CHAFFER	IH 1680 LONG SHOE, 1688, 2188, 2388	75" x 60"	89	SHI ACH1140
BOTTOM SIEVE	IH 1680 LONG SHOE, 1688, 2188, 2388	66" x 60"	80	SHI BS1140
BOTTOM SIEVE	IH 1680 LS, 1688, 2188, 2388 SHORTENED (FIVE ROWS OF LOUVERS REMOVED)	66" x 60"	80	SHI BS1141

# FITS INTERNATIONAL

## Harvest Sieve Replacement Parts

DESCRIPTION		PART NO.
LOUVER FOR TOP ADJUSTABLE SIEVE	PLEASE SPECIFY LENGTH NEEDED WHEN ORDERING	SHI ACHPLASTIC
LOUVER FOR BOTTOM ADJUSTABLE SIEVE	PLEASE SPECIFY LENGTH NEEDED WHEN ORDERING	SHI BSCPLASTIC
CONNECTOR FOR SIEVES		SHI PLCONNECTOR
CRANK FOR SIEVES		SHI PLCRANK
END PINS FOR SIEVES		SHI PLENDCAP
ADJUSTMENT HANDLE FOR SIEVES	OLD STYLE (PRE 03)	CYL HANDLE
ADJUSTMENT HANDLE FOR SIEVES	NEW STYLE (03)	CYL HANDLE 03

## Ripple Tins, Dividers and Deflectors



### RIPPLE TINS

Use on front of Airfoil Chaffer when combining small seeded crops & when spearing is a problem.



### DIVIDERS

Mount on the chaffer to provide a more even distribution on the chaffer..



### DEFLECTORS

Keep the grain off the side rails.

PART NO.	DESCRIPTION	WT
RIPPLE TINS	ORDER RIPPLE TINS USING THE CHAFFER STOCK NUMBER SUBSTITUTING RT FOR CH	5
DIVIDERS		4
DEFLECTORS		2

## FITS INTERNATIONAL

### Chaffer / Sieve Frame

APPLICATION	DESCRIPTION	PART NUMBER
1420, 1440, 1460, 1470, 1620, 1640, 1660, 1670	Chaffer Shoe Frame Rail, Short Shoe	CYL WP1979202C1 (Left Hand) CYL WP1979203C1 (Right Hand)
1640, 1644, 1660, 1666, 2144, 2166, 2344, 2366	Chaffer Shoe Frame Rail Long Shoe	CYL WP1979206C1 (Left Hand) CYL WP1979207C1 (Right Hand)
1680, 1682	Chaffer Shoe Frame Rail Short Shoe	CYL WP1979198C1 (Left Hand) CYL WP1979199C1 (Right Hand)
1680, 1688, 2188, 2388	Chaffer Shoe Frame Rail Long Shoe	CYL WP1322452C2 (Left Hand) CYL WP1322453C2 (Right Hand)
1420, 1440, 1460, 1470, 1480, 1620, 1640, 1660, 1670, 1680, 1682	Sieve Shoe Frame Rail Short Shoe	CYL WP1302070C4 (Left Hand) CYL WP1302071C4 (Right Hand)
1640, 1644, 1660, 1666, 1680, 1688, 2144, 2166, 2188, 2344, 2366, 2388	Sieve Shoe Frame Rail Long Shoe	CYL WP1979900C5 (Left Hand) CYL WP1979901C5 (Right Hand)

### Chaffer & Sieve Bushing Kits

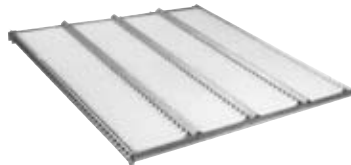
APPLICATION	DESCRIPTION	PART NUMBER
1420, 1440, 1460, 1480	Chaffer Drive Bushing Kit, Set of 6, Replaces: 186597C1	CYL WPCBIHC-1400
1640, 160 Prior S/N 39550, 1680 short shoe	Chaffer Drive Bushing Kit, Set of 4 Replaces: 186597C1	CYL WPCBIHC-1640
1640, 1660 Eff. S/N 7060, 1680 Prior S/N 7060 HD shoe	Chaffer Drive Bushing Kit, Set of 4 Replaces: B94625, 1330323C2	CYL WPCBIHC-1640-1
1644, 1666, 1680 Eff. S/N 7060 long shoe, 1688, 2144, 2166, 2188, 2344, 2366, 2388	Chaffer Drive Bushing Kit, Set of 4 Replaces: 1330323C2, 197983C1	CYL WPCBIHC-1644
914, 915, 1420, 1460, 1480, 1640, 1660 Prior S/N 39550, 1680 short shoe	Chaffer Bushing Kit, Set of 12 Replaces: 627555R91	CYL WPCBIHC-1644-2
1644, 1666, 1660 Eff. S/N 39550, 1680 Eff. S/N 7025 HD long shoe, 1688, 2144, 2166, 2188, 2344, 2366, 2388	Chaffer Bushing Kit, Set of 12 Replaces: 1330323C2, 1330324C1	CYL WPCBIHC-1644-2
914, 915, 1420, 1440, 1460, 1480, 1640, 1660 Prior S/N 39550, 1680 short shoe	Sieve Bushing Kit, Set of 4 Replaces: B94622, 627555R91	CYL WPCBIHC-1400-1
1644, 1666, 1660 Eff. S/N 39550, 1680 Eff. S/N 7025 HD long shoe, 1688, 2144, 2166, 2188, 2344, 2366, 2388	Sieve Bushing Kit, Set of 4 replaces: B94624, 1330324C1	CYL WPCBIHC-1644-1

**FITS INTERNATIONAL**

**Gateway Sieves - Aluminum Frame, Plastic Finger Adjustable Sieves and Chaffers**

**Aluminum Frame - Plastic Fingers**

- Lightweight - up to 50% lighter than OEM
- Rustproof
- Less chaff buildup
- Improved grain cleaning - plastic teeth offer less resistance and work well with both small grain and high yield corn
- Infinitely adjustable slats featuring easy to use adjustment handles
- Available in 2 row-to-row spacing widths:
  - wide (45 mm) for corn and soybeans
  - narrow (33 mm) for smaller cereal grains
- Easy to repair



\*Gateway unit will replace all Case base part numbers, regardless of revision level (ie. C1, C2, etc.)

**Tooth Design**

- 3/8" short tooth (ST)
- 7/8" long tooth (LT)
- Standard chaffer offered with long tooth and can replace a deep tooth (1-1/4") slat



**Modular Construction**

- Allows easy and cost-effective repair
- All components are replaceable
- Slat connectors allow precise adjustment - infinite angles and optimal cleaning performance

**Optional Divider Riser Kit**

- For side hill conditions
- 002641 kit mounts to existing risers
- Each kit comes with 12 clips and 24 rivets (divider risers not included)

**1688, 2188, 2388, 1680 S/N JJC 0047412 and up**

Description	Replaces OEM #	Frame Size	Wt.	Panels Rep#/Orig#	Adjusters Rep#/Orig#	Row-to-Row	Tooth	Part No.
Top Chaffer 2388 45 LT - 4P	1322659C*	60.00 x 75.24	83	4/6	3/3	45mm (1-5/8")	long	SHI 002602
Top Chaffer 2388 33LT - 4P	1322467C*	60.00 x 75.24	88	4/6	3/3	33mm (1-1/8")	long	SHI 002603
Bottom Sieve 2388 33ST - 4P	1322464C*	60.20 x 64.96	69	4/6	1/1	33mm (1-1/8")	short	SHI 002601
Bottom Sieve 2388 33LT - 4P	1979328C*	60.20 x 64.96	69	4/6	1/1	33mm (1-1/8")	long	SHI 002604

**1480, 1482, 1680, prior to S/N JJC 0047412, 1682**

Description	Replaces OEM #	Frame Size	Wt.	Panels Rep#/Orig#	Adjusters Rep#/Orig#	Row-to-Row	Tooth	Part No.
Top Chaffer 1680S 45LT - 4P	1330688C*	60.00 x 61.75	68	4/6	2/2	45mm (1-5/8")	long	SHI 002607
Top Chaffer 1680S 33LT - 4P	1330687C*	60.00 x 61.75	72	4/6	2/2	33mm (1-1/8")	long	SHI 002608
Bottom Sieve 1680S 33ST - 4P	1346915C*	60.20 x 51.50	55	4/6	1/1	33mm (1-1/8")	short	SHI 002606
Bottom Sieve 1680S 33LT - 4P	1347015C*	60.20 x 51.50	55	4/6	1/1	33mm (1-1/8")	long	SHI 002609

**1644, 1666, 2144, 2166, 2344, 2366, 1660 S/N JJC 0039550 and up**

Description	Replaces OEM #	Frame Size	Wt.	Panels Rep#/Orig#	Adjusters Rep#/Orig#	Row-to-Row	Tooth	Part No.
Top Chaffer 2366 45LT - 3P	1957314C*	45.00 x 75.37	53	3/4	2/3	45mm (1-5/8")	long	SHI 002612
Top Chaffer 2366 33LT - 3P	1957316C*	45.00 x 75.37	57	3/4	2/3	33mm (1-1/8")	long	SHI 002613
Bottom Sieve 2366 33ST - 3P	1325323C*	45.20 x 64.96	52	3/4	1/1	33mm (1-1/8")	short	SHI 002611
Bottom Sieve 2366 33LT - 3P	1994961C*	45.20 x 64.96	52	3/4	1/1	33mm (1-1/8")	long	SHI 002614

**1440, 1460, 1640, 1660 prior to S/N JJC 0039550**

Description	Replaces OEM #	Frame Size	Wt.	Panels Rep#/Orig#	Adjusters Rep#/Orig#	Row-to-Row	Tooth	Part No.
Top Chaffer 1660 45LT - 3P	1330685C*	45.00 x 61.88	44	3/4	2/2	45mm (1-5/8")	long	SHI 002617
Top Chaffer 1660 33LT - 3P	1330684C*	45.00 x 61.88	47	3/4	2/2	33mm (1-1/8")	long	SHI 002618
Bottom Sieve 1660 33ST - 3P	1346914C*	45.20 x 51.50	43	3/4	1/1	33mm (1-1/8")	short	SHI 002616
Bottom Sieve 1660 33LT - 3P	1347016C*	45.20 x 51.50	43	3/4	1/1	33mm (1-1/8")	long	SHI 002619

## FITS INTERNATIONAL

### Grain Pans and Components

APPLICATION	DESCRIPTION	PART NUMBER
915 Eff. S/N 3180	New Grain Pan, Front Door (short)	CYL WP175078C1
1440,1460, 1640, 1660, 1644, 1666, 2166, 2144, 2344, 2366	New Grain Pan	CYL WP192056C1
1440, 1460, 1640, 1660, 1644, 1666, 2144, 2166, 2344, 2366	New Grain Pan, Galvanized Replaces OEM P/N 192056C1	CYL WPGPIHC-1440G
1480, 1680, 1688, 2188, 2388	New Grain Pan	CYL WP192057C1
1480, 1680, 1688, 2188, 2388	New Grain Pan, Galvanized Replaces OEM P/N 192057C1	CYL WPGPIHC-1480G



### Straw Walkers and Parts

APPLICATION	DESCRIPTION	PART NUMBER
715	New Straw Walker Crankshaft, Front or Rear Crank	CYL WP568626R1
815, 914, 915	New Straw Walker Wood Bearing Block, Complete Set	CYL WP166067C91



### Straw Choppers

Kit includes: Rotor, Side Sheets, Knife Bank, Flanges and Hardware Attachment Hardware.  
Does Not Include Button Knife Sheet.



APPLICATION	DESCRIPTION	PART NUMBER
1440 Eff. S/N 20977, 1460 Eff. S/N 23401, 1640, 1660, 1644, 1666, 2144, 2166, 2344, 2366 Prior S/N 38346	Straw Chopper Assembly w/ Drive, For models w/o existing straw choppers.	CYL WPCIHD60
1480 Eff. S/N 24001, 1680	Straw Chopper Assembly w/Drive, For models w/o existing straw choppers	CYL WPCIHD80
1688, 2188, 2388 Prior S/N 70499	Straw Chopper Assembly w/Drive, For models w/o existing straw choppers	CYL WPCIHD88
2388 S/N JJC0268800->	Straw Chopper Assembly w/ Drive for models w/o existing straw choppers	CYL WPCIHD88N

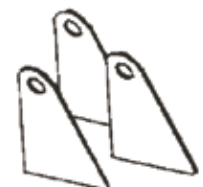
Core Info: 3 Groove Pulley must be returned to receive core credit.

### Straw Chopper Drive Components

APPLICATION	DESCRIPTION	PART NUMBER
1640, 1644, 1660, 1666, 1670, 1680, 1688, 2144, 266, 2188, 2344, 2366, 2388	Straw Chopper Drive Pulley	CYL WP1315264C1

### Straw Chopper Blades

Hardened steel chopper blades - set includes hardware. As part of the normal repair process, the entire drum should be dynamically balanced after the installation of new blade kits.

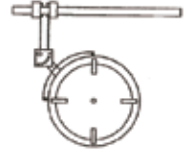


APPLICATION	DESCRIPTION	PART NUMBER
715, 815, 915 Late, All Rotaries	New Straw Chopper Blades, Set of 2	CYL WPSCB304

## FITS INTERNATIONAL

### Chaff Spreaders

Features: Standard patented single wing arm design- spreader position is infinitely adjustable. Stainless steel front and rear shields. 39" chaff distribution area is the largest in the field. Complete with motor, hose kit, and shaker pans.



APPLICATION	DESCRIPTION	PART NUMBER
1420, 1440, 1460, 1480, 1620, 1640 (Prior S/N 97190), 1660 (Prior S/N 103800), 1680 (Prior S/N 117060)	New Chaff Spreader	CYL WPEF1691IH
1640 (Eff S/N 97190), 1660 (Eff S/N 103800), 1680 (Eff S/N 117060)	New Chaff Spreader	CYL WPEF1692CIHE
2144, 2166, 2188, 2344, 2366, 2388	New Chaff Spreader	CYL WPEF2100CIH

### Hydraulic Pump Drive Hub

APPLICATION	DESCRIPTION	PART NUMBER
All Rotary machines: 1420-2388	New Aux. Hydraulic Pump Drive Hub	CYL WP196482C2



### Cornhead Components

APPLICATION	DESCRIPTION	PART NUMBER
800, 900	Corn Gathering Chain Sprocket w/o keyway	CYL WP176278C2
963, 1000 Series	Corn Gathering Chain Sprocket w/ keyway	CYL WP199497C1

### Wobble Box and Components

APPLICATION	DESCRIPTION	PART NUMBER
1010 Eff. S/N JJC0300001, 1020 Eff. S/N JJC0315001	Wobble Box Assembly	CYL WP133157A3



## FITS INTERNATIONAL

### Augers - Bare Header / Platform

We can build bare header augers to fit most models of combines. These kits come in different sizes and can even be custom made to fit your application. Ask your sales representative for Availability and Pricing.



APPLICATION	DESCRIPTION	PART NUMBER
810 Header	New Header Auger, 15' Bearing Bearing	CYL WP177001C1 BED SA205-16 BED SA208-24
810 Series (Prior S/N 43000)	New Header Auger, 20' Bearing Bearing	CYL WP177003C2 BED SA205-16 BED SA208-24
810 Series (Prior S/N 43000)	New Header Auger,, 24' Bearing Bearing, For Flex and Rigid Headers	CYL WP177004C2 BED SA205-16 BED SA208-24
810 Series (Prior S/N 43000)	New header Auger, 24' Bearing Bearing, For Flex and Rigid Headers	CYL WP177004C2 BED SA205-16 BED SA208-24
1020 Headers	New Header Auger, 20' Bearing	CYL WP1307212C2 BED SA205-16
1020 Headers	New Header Augers, 22.5' Bearing Bearing	CYL WP1313839C2 BED SA205-16 BED SA208-24

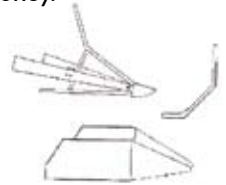
### Header Drive Shafts

APPLICATION	DESCRIPTION	PART NUMBER
715, 815, 915, 1440, 1480	New Header Drive Shaft, 1.375" dia. 70.000" Long, Also replaces OE P/N 195560C2	CYL WP176571C1
1640, 1644, 1660, 1666, 1680, 1688, 2166 (Prior S/N 182025), 2188	New Header Drive Shaft, 1.500" Dia., 70.062" Long	CYL WP1319483C2

## FITS INTERNATIONAL

### Short / Long Row Crop Dividers

Eliminate costly grain loss from knocked down plants. Change from Short to Long Dividers in minutes. Safer transportation. Easy storage. Sectional design allows you to replace only the damaged piece saving you money.



APPLICATION	DESCRIPTION	PART NUMBER
800 Series Flex Heads	New Complete Set of Dividers Components: Rear Divider (Sheet Metal) 1 CYL WPSCD100IH-RH Rear Divider (Sheet Metal) 1 CYL WPSCD100IH-LH Bar 2 CYL WPSCD300 New Short Divider Tip 2 CYL WPSCD250	CYL WPSCD500IH (Short)
800 Series Flex Heads	New Complete Set of Dividers Components: Rear Divider (Sheet Metal) 1 CYL WPSCD100IH-LH Rear Divider (Sheet Metal) 1 CYL WPSCD100IH-LH Bar 2 CYL WPSCD300 Font Wing Divider 2 CYL WPSCD200	CYL WPSCD400H (Long)
800 Series Flex Heads	New Short Divider Tip	CYL WPSCD250
Fits all 1020 Headers	OEM Style Divider Outer Wing Assembly	CYL WP1318 (Left Hand)

### Poly Skid Plate Kits

APPLICATION	DESCRIPTION	PART NUMBER
820 Header (16.5')	New Poly Skid Plate Kit	CYL WPCS16.5IH
820 Header (20')	New Poly Skid Plate Kit	CYL WPCS16.5IH
820 Header (20')	New Poly Skid Plate Kit	CYL WPCS20IH
1020 Header (20')	New Poly Skid Plate Kit	CYL WPCS20IHNA
1020 Header (22.5')	New Poly Skid Plate Kit	CYL WPCS2225IHNA
1020 Header (25')	New Poly Skid Plate Kit	CYL WPCS25IHNA

### Rear Axle Center Tubes

APPLICATION	DESCRIPTION	PART NUMBER
All IH Rotary Combines w/ Heavy Duty Axle	New Center Tube, 56" Long for 92" - 122" rear axle. Note: 4.5" between holes	CYL WPIHCCT45
All IH Rotary combines w/ Heavy Duty Axle	New Center Tube, 56" Long for 92" - 122" rear axle. Note: 5" between holes	CYL WPIHCCT50
2188 w/Rear Wheel Assist	New Center Tube, 63.5" Long Space Back 3.250" Use w/ 108" - 144" Axles	CYL WP1968991C1

### Steps - Combine

APPLICATION	DESCRIPTION	PART NUMBER
2144, 2166, 2188, 2344, 2366, 2388	Step	CYL WP97050C3

## FITS INTERNATIONAL

### Air Conditioner and Components - Combine

APPLICATION	DESCRIPTION	PART NUMBER
615, 715, 815	Conversion Kit - York to Seltec	CYL WPX10165
1620* Eff. S/N JJC0032630, 1640* Eff. S/N JJC0034705, 1680* Eff. S/N JJC0045689, 1644*, 1660*, 1666*, 1688*, 2044*, 2144, 2166, 2188, 2344, 2366, 2388, Swather: 8820* Eff. S/N CFH0049253, 8830 Eff. S/N 0028999, 8840 Eff. S/N CFH0086315, 8825, 8850	New R12 Compressor *Optional R134a Compressor 6" 2-Groove Clutch, Horizontal Tube O-Ring w/Dust Cover; Replaces: 1999755C2	CYL WPX10125
1644, 1660, 1666, 1688, 2044, 1620 Eff. S/N JJC0032630, 1640 Eff. S/N JJC0034705, 1670 Eff. S/N JJC0008540, 1680 Eff. S/N JJC0045689; Swather: 8820 Eff. S/N CFH0049253, 8830 S/N CFH0028805-CFH0028998 8840 S/N CFH0086001-CFH0086314	New R12 Compressor, 6" 2 Groove Clutch, Horizontal Tube O-Ring w/Dust Cover; Replaces: 1977959C1	CYL WPX10124
Swather: 6000, 6500	New A/C Compressor, SD508, 5.250" 2-Groove Clutch Vertical #8 & #10 Flare Fitting w/R12 Charge Ports; 700713317	CYL WPX10178
Swather: 6000, 6500, 8820 S/N CFH0049001-49252, 8830 S/N CFH0028001-28804, 8840 S/N CFH0031001-86000	New Sanden Compressor, 6" 2-Groove Clutch Vertical 8 & 10 Flare w/R12 Charge Ports; 700713317	CYL WPX10178
Swather: 6000, 6500, 8820 S/N CFH0049001-49252, 8830 S/N CFH0028001-28804, 8840 S/N CFH0031001-86000	New Sanden Compressor, 6" 2-Groove Clutch Vertical 8 & 10 Flare w/R12 Charge Ports; 700713317	CYL WPX10134
Combine: 715, 815, 915, 1440, 1460, 1470, 1480 Swather: 6000, 6500, 8820, 8830, 8840	Expansion Valve; Flare, Replaces: 66398C1, 1336422C1	CYL WPX10146

### Combine Condenser Application Guide - International Combine

MODEL	OEM NO.	NOTES	PART NO.
1420	183901C2, 165130C91	w/o-ring fittings & flare adapter	TRP 400-615
1440	183901C2, 165130C91	w/o-ring fittings & flare adapter	TRP 400-615
1460	183901C2, 165130C91	w/o-ring fittings & flare adapter	TRP 400-615
1470	183901C2, 165130C91	w/o-ring fittings & flare adapter	TRP 400-615
1480	183901C2, 165130C91	w/o-ring fittings & flare adapter	TRP 400-615

### Combine Condenser Application Guide - Case-IH

MODEL	OEM NO.	NOTES	PART NO.
1620	183901C2, 165130C91	w/o-ring fittings & flare adapters	TRP 400-615
1640	183901C2, 165130C91	SN JJC0034705 & Before	TRP 400-615
1640	84581C2	SN JJ0034706 & After	TRP 400-627
1644	84581C2	-	TRP 400-627
1660	183901C2, 165130C91	SN JJC00384346 & Before	TRP 400-615
1660	84581C2	SN JJC0038347 & After	TRP 400-627
1666	84581C2	-	TRP 400-627
1680	183901C2, 165130C91	SN JJC0045689 & Before	TRP 400-615
1680	84581C2	SN JJC0045690 & After	TRP 400-627
1688	84581C2	-	TRP 400-627
2144	84581C2	-	TRP 400-627
2166	84581C2	-	TRP 400-627
2188	84581C2	-	TRP 400-627
2344	84581C2	-	TRP 400-627
2366	84581C2	-	TRP 400-627
2388	275094A3	-	TBA

# FITS INTERNATIONAL

## Combine Condenser Illustration Guide

### CASE/IH COMBINE/COTTON TRP 400-615

1620, 1640-Early, 1660-Early,  
1680-Early, 782-Late, 1400,  
1800, 1822, 1844, 2022,  
2044, 1420, 1440, 1460,  
1470, 1480



OE# 183901C2, 165130C91

### CASE/IH COMBINE/COTTON TRP 400-627

1640-Late, 1644, 1660-Late,  
1666, 1680-Late, 1688,  
2144, 2166, 2188, 2344,  
2366, 2055, 2155, 2555



OE# 84581C2

## Combine Heater Applications - International Combine Heaters

MODEL	OEM NO.	NOTES	PART NO.
1420	539056R3	-	TRP HR-9930
1440	539056R3	-	TRP HR-9930
1460	539056R3	-	TRP HR-9930
1470	539056R3	-	TRP HR-9930
1480	539056R3	-	TRP HR-9930

## Combine Evaporator Applications - International Combine

MODEL	OEM NO.	NOTES	PART NO.
1420	118315C1, 111468C2	Includes Flare Adapters & 904-304 Expansion Valve	TRP 590-4030
1440	118315C1, 111468C2	Includes Flare Adapters & 904-304 Expansion Valve	TRP 590-4030
1460	118315C1, 111468C2	Includes Flare Adapters & 904-304 Expansion Valve	TRP 590-4030
1470	118315C1, 111468C2	Includes Flare Adapters & 904-304 Expansion Valve	TRP 590-4030
1480	118315C1, 111468C2	Includes Flare Adapters & 904-304 Expansion Valve	TRP 590-4030

## Combine Evaporator Applications - Case-IH Combine

MODEL	OEM NO.	NOTES	PART NO.
1620	1974632C3, 135777C2	Incl. 904-617 Exp Valve; w/heater core	TRP 590-5000
1640	1974632C3, 135777C2	Incl. 904-617 Exp Valve; w/heater core	TRP 590-5000
1644	1974632C3, 135777C2	Incl. 904-617 Exp Valve; w/heater core	TRP 590-5000
1660	1974632C3, 135777C2	Incl. 904-617 Exp Valve; w/heater core	TRP 590-5000
1666	1974632C3, 135777C2	Incl. 904-617 Exp Valve; w/heater core	TRP 590-5000
1670	1974632C3, 135777C2	Incl. 904-617 Exp Valve; w/heater core	TRP 590-5000
1680	1974632C3, 135777C2	Incl. 904-617 Exp Valve; w/heater core	TRP 590-5000
1688	1974632C3, 135777C2	Incl. 904-617 Exp Valve; w/heater core	TRP 590-5000

## FITS INTERNATIONAL

### Combine Evaporator Illustration Guide - Case/IH TRP 590-4030

186 Hydro-Early, 782-Late, 786-Early, 886-Early,  
986-Early, 1086-Early, 1486-Early, 1586-Early,  
1400, 1420, 1440, 1460, 1470, 1480, 3388-Early,  
3588-Early, 3788-Early



OE# 118315C1, 111468C2

### Combine Evaporator Illustration Guide - Case/IH Combine/Cotton TRP 590-5000

186 Hydro-Late, 786-Late, 886-Late, 986-Late,  
1086-Late, 1486-Late, 1586-Late, 1620, 1640,  
1644, 1660, 1666, 1670, 1680, 1688, 1800, 1822,  
1844, 2022, 2044, 2055, 3088, 3288, 3388-Late,  
3488, 3588-Late,, 3688, 3788-Late,, 5088, 5288,  
5488, 6388, 6588, 6788, 7288, 7488

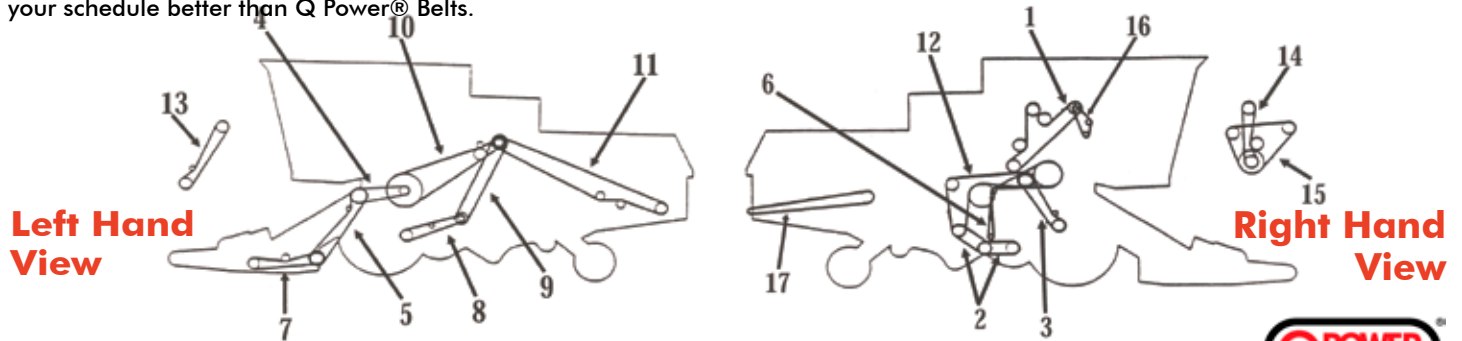


OE# 1974632C3, 135777C2

**FITS INTERNATIONAL**

**Belt - 615, 715**

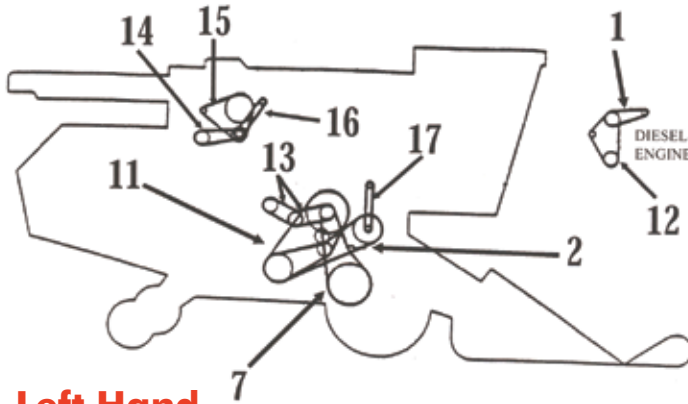
Q Power® Belts, when you can't stop, you need the belt that won't stop. American made Q Power® Belts belts are designed to keep you and your equipment in the field. No matter what the crop... beans to corn, no matter what the conditions ... muddy to dry. Q Power® Belts keeps you running. No other belt can stand up to the demand of your equipment and your schedule better than Q Power® Belts.



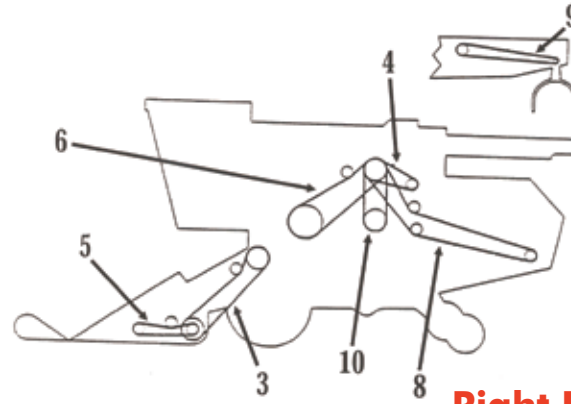
NUMBER	APPLICATION	DESCRIPTION	PART NUMBER
	715	Compressor, A/C	CYL WP936331R1
	715	Fan, Water Pump & Alternator, IH D310	CYL WP395539R1
1	715	Elevator Drive, w/ Raised Leveling Auger	CYL WP937929R1
1	715	Grain Tank Ext w/ Raised Leveling Auger	CYL WP150433C1
1	615, 715	Elevator Drive, w/o Raised Leveling Auger	CYL WP937928R1
2	615, 715	Fan Drive, Regular, (715) Matched Pair	CYL WP170954C11
3	715	Shaker Shaft Drive	CYL WP188716C1
3	615	Shaker Shaft Drive, 265 RPM	CYL WP564494R2
4	615, 715	Feeder Drive, Regular	CYL WP937932R1
5	615, 715	Feeder Jackshaft Drive	CYL WP176566C1
5	615 (Eff S/N8001) w/o 34" Wheels, 715	Feeder Jackshaft Drive (Except Rice)	CYL WP176565C1
5	715	Feeder Jackshaft Drive Double Belt Rice Only	CYL WP176577C1
5	(615,715) (Eff S/N8001) w/ 34" Wheels	Feeder Jackshaft Drive, Rice	CYL WP176576C1
6	615, 715	Unloader Hydrostatic Drive	CYL WP165676C1
6	615, 715	Unloader Drive, Belt Drive	CYL WP559064R1
7	715	Auger & Knife Drive (102")	CYL WP178019C1
7	715	Auger & Knife Drive (150")	CYL WP559064R1
7	715	Auger & Knife Drive (112")	CYL WP191305C1
8	715	Propulsion Drive (Belt Drive)	CYL WP173110C1
9	615	Propulsion Jackshaft Drive, Diesel	CYL WP172230C1
9	615	Propulsion Jackshaft Drive, Gas	CYL WP937931R1
9	715	Propulsion Jackshaft Drive	CYL WP150436C2
10	715	Separator Drive	CYL WP171226C1
11	715	Straw Chopper Drive	CYL WP174614C2
12	615, 715	Straw Walker & Fan Jackshaft	CYL WP170948C1
13	615, 715	Unloader Jackshaft Drive, Hydrostat	CYL WP175545C1
13	715	Unloader Jackshaft Drive	CYL WP179317C2
14	615, 715	Variable Speed Cylinder Drive (Primary)	CYL WP171101C2
15	615, 715	Cylinder Drive, Variable Speed	BEV QP171130C1
16	715, 615	Tailings Auger Drive	CYL WP627297R1
17	715	Straw Spreader	CYL WP589622R1
17	615	Spreader Drive	CYL WP171994C1

# FITS INTERNATIONAL

## Belt - 815, 915



**Left Hand  
View**



**Right Hand  
View**

NUMBER	APPLICATION	DESCRIPTION	PART NUMBER
1	815(Eff S/N8001)	Compressor Drive, Diesel	CYL WP65337C2
2	815(Eff S/N8001), 915(Eff S/N 2350)	Cylinder Drive	CYL WP174509C1
2	815(Eff S/N8001), 915 w/o 23.1-34 or 24.5-32 Tires	Feeder Jackshaft Drive	CYL WP176565C1
3	(815,915)(Prior S/N8001)	Feeder Drive (Belt Type) Bolt Att. Feeder	CYL WP165053C2
3	815, 915	Feeder Jackshaft Drive	CYL WP176567C1
3	915 w/23.1-34 or 24.5-32 Tires	Feeder Jackshaft Drive	CYL WP176576C1
4	915(Prior S/N19001) w/23.1-34 or 24.5-32 Tires	Feeder Jackshaft Drive	CYL WP176577C1
4	815(Eff S/N8001), 915 (Prior S/N19001) w/o 23.1-34 or 24.5-32 Tires	Feeder Jackshaft Drive WP176566C1	
4	(815,915)(Eff S/N8001)	Hyd Reel Pump Drive, Gas	CYL WP178763C1
4	915(Eff S/N8001)	Hyd Reel Pump Drive, Diesel	CYL WP179007C1
5	(815,915)(Eff S/N8001)	Knife Drive	CYL WP178019C1
6	815, 915	Separator Drive, Diesel	CYL WP168665C2
6	815, 915	Separator Drive, Gas	CYL WP166598C2
7	815, 915	Shaker Shaft Drive 280 RPM	CYL WP632702R1
7	815, 915	Shaker Shaft Drive 265 RPM	CYL WP564494R2
8	815(Eff S/N3784), 915(Eff S/N2350)	Straw Chopper Drive WP174642C1	
8	(815,915)(Eff S/N8001)	Straw Chopper Drive	CYL WP177499C1
9	815(Prior S/N3784), 915(Prior S/N2350)	Straw Chopper Drive	CYL WP160870C1
9	815(Eff S/N8001)	Straw Spreader Drive	CYL WP196370C1
9	815(Prior S/N3784)	Straw Spreader Drive	CYL WP161820C1
9	815(Eff S/N3784), 915 (Prior S/N2350)	Straw Spreader Drive	CYL WP161821C1
9	915(Eff S/N8001)	Straw Spreader Drive	CYL WP196371C1
10	815, 915	Unloader Jackshaft Drive	CYL WP160173C1



# FITS INTERNATIONAL

## Belt - 815, 915 (Continued)

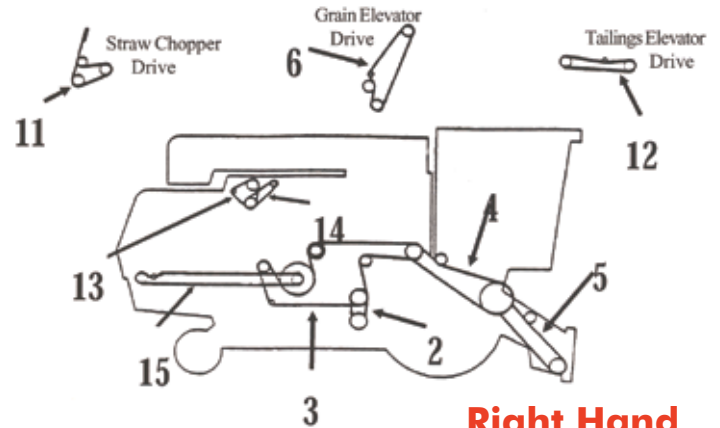
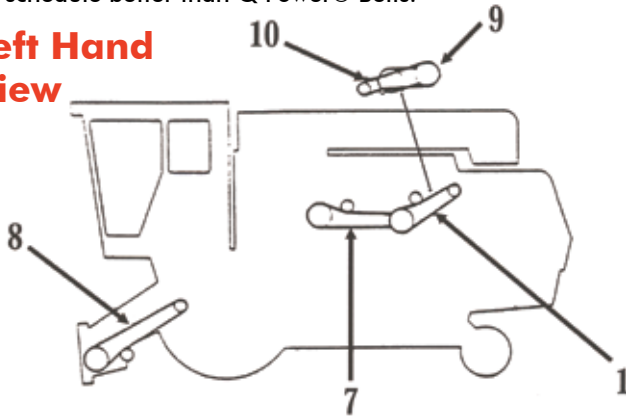
NUMBER	APPLICATION	DESCRIPTION	PART NUMBER
11	815, 915,	A/C with Cab Cylinder Drive, Variable	CYL WP164006C1
12	815(D407 ENGINE), 915	Fan, Water Pump, Generator (Diesel Only)	CYL WP528419R91
12	815 (D414 ENGINE), 915(Prior S/N 8001)	Fan, Water Pump, Generator W/ 414 Engine	CYL WP537072R92
13	815, 915	Separator Fan Drive	CYL WP164999C92
14	815(Eff S/N 8001)	Compressor Drive (Gas)	CYL WP167031C2
15	815(Eff S/N 8000), 915 W/AC	Fan, Alternator, Water Pump	CYL WP402253R91
16	(815,915)Eff S/N 8001	Governor Belt	CYL WP532031R2
17	(815,915)Eff S/N 8001	Cylinder Speed Drive	CYL WP167099C1
	815(Prior S/N3783), 915(Prior S/N2349)	Rotary Air Screen Drive	CYL WP168725C1
	815(Eff S/N3784), 915(Eff S/N2350)	Rotary Air Screen Drive	CYL WP172360C1
	815(Prior S/N8001)	Platform Jackshaft Drive Bolt Att. Feeder	CYL WP150816C1
	815, 915(Prior S/N8001)	Feeder, Fast Speed For Bolt Att. Feeder	CYL WP633728R2
	815 Gas(Prior S/N3784), 15(Prior S/N2350)	Rotary Air Screen Drive	CYL WP38331K
	815 Gas(Prior S/N3784), 915(Prior S/N2350)	Straw Chopper Jackshaft Drive	CYL WP160871C1

## FITS INTERNATIONAL

## Belt - 1420

Q Power® Belts, when you can't stop, you need the belt that won't stop. American made Q Power® Belts belts are designed to keep you and your equipment in the field. No matter what the crop... beans to corn, no matter what the conditions ... muddy to dry. Q Power® Belts keeps you running. No other belt can stand up to the demand of your equipment and your schedule better than Q Power® Belts.

## Left Hand View



## Right Hand View

NUMBER	APPLICATION	DESCRIPTION	PART NUMBER
1	1420	Auxiliary Pump Drive	CYL WP191288C2
2	1420	Cleaning Fan Drive	CYL WP599060R1
3	1420	Right Side Drive, W/Straw Chopper	BEV QP186509C2
3	1420	Right Side Drive, W/Discharge Beater	CYL WP183049C1
4	1420	Feeder Drive	CYL WP186377C1
5	1420	Feeder Jackshaft Drive	CYL WP197412C1
6	1420	Grain Elevator, Rice	CYL WP181433C1
6	1420	Grain Elevator, Grain/Corn	CYL WP182619C1
7	1420	Grain Tank Unloader Drive	CYL WP195143C1
8	1420	Hydraulic Reel Drive	CYL WP197414C2
9	1420	Rotor Variable Drive	CYL WP1302174C1
10	1420	Separator Drive	BEV QP191241C1
11	1420	Straw Chopper Drive	CYL WP182945C1
12	1420	Tailings Elev. Drive	CYL WP674965R1
13	1420	Fan Belt (D358 Engine)	CYL WP130724C91
14	1420	Compressor Drive	CYL WP280210C2
15	1420(Eff S/N 8000)	Straw Spreader	CYL WP589622R1



**FITS INTERNATIONAL**

**Belt - 1440, 1460, 1480**

Q Power® Belts, when you can't stop, you need the belt that won't stop. American made Q Power® Belts belts are designed to keep you and your equipment in the field. No matter what the crop... beans to corn, no matter what the conditions ... muddy to dry. Q Power® Belts keeps you running. No other belt can stand up to the demand of your equipment and your schedule better than Q Power® Belts.

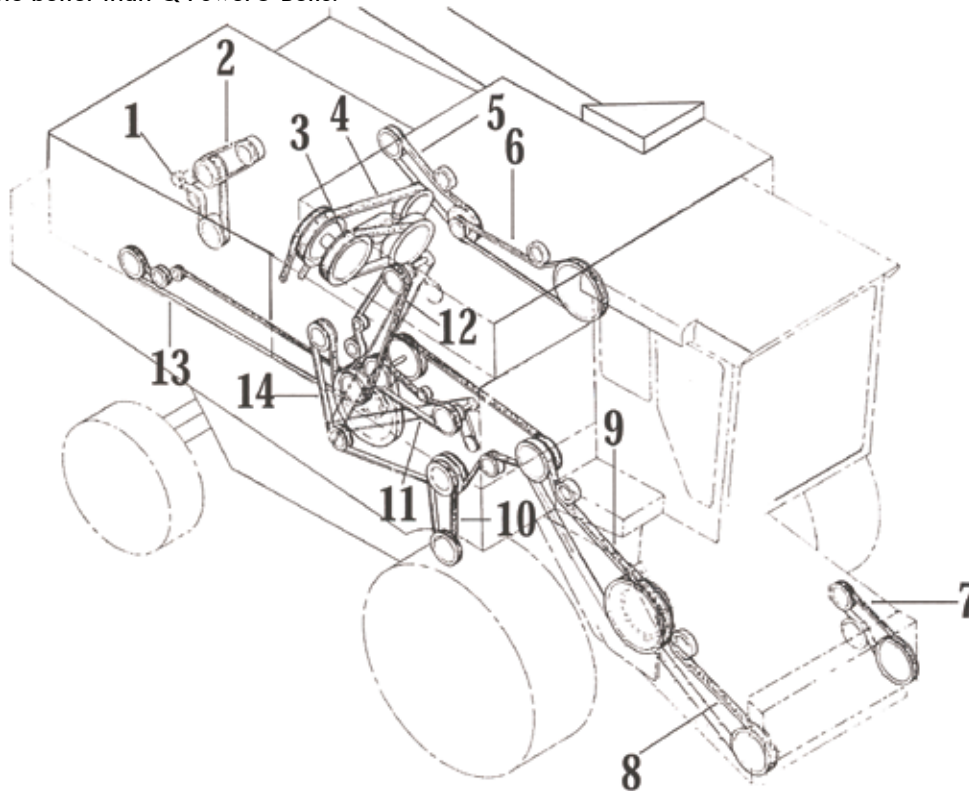
NUMBER	APPLICATION	DESCRIPTION	PART NUMBER
1	1440, 1460, 1480	Auxiliary Pump Drive	CYL WP191288C2
2	1440, 1460, 1480	Cleaning Fan Drive	BEV QP195396C2
3	1440, 1460, 1480	Compressor Drive	CYL WP874097C1
4	1440, 1460, 1480	Cleaning Unit Drive	BEV QP181055C1
5	(1440,1460) (Prior S/N1501)	Elevator Drive	CYL WP192360C1
5	(1440,1460) (Eff S/N1501),	1480 Elevator Drive	BEV QP186509C2
6	1440, 1460, 1480	Fan Jackshaft Drive, Slow Speed 67"	CYL WP181359C1
7	1440, 1460	Fan Jackshaft Drive	CYL WP191305C1
7	1480	Fan Jackshaft Drive	CYL WP188213C1
8	1480	Feeder Drive	BEV QP194528C1
8	1440, 1460	Feeder Drive	BEV QP192738C1
9	1480	Feeder Jackshaft Drive, 60" Feeder	BEV QP1308489C2
9	1440, 1460	Feeder Jackshaft Drive, 47" Feeder	CYL WP1313095C2
9	1440, 1460, 1480	Feeder Jackshaft Drive, 54 1/2" Feeder	BEV QP1313097C3
10	1440, 1460	Grain Tank Unloader Drive	CYL WP191290C1
10	1480	Grain Tank Unloader Drive	CYL WP191291C1
11	1440, 1460	Hyd Reel Drive, 47" Feeder w/o Trap	CYL WP197411C1
11	1480	Hyd Reel Drive, 60" Feeder w/o Trap	CYL WP197480C2
11	(1440, 1460)	w/Rock Trap, 1480 Hydraulic Reel Drive	CYL WP1315315C1
11	1440, 1460, 1480	Hyd Reel Drive, 54 1/2" Feeder w/o Trap	CYL WP197414C2
12	1480	Rotor Drive, Variable	BEV QP244422A1
12	1440, 1460	Rotor Drive, Variable	BEV QP244420A1
13	1440, 1460	Separator Drive	BEV QP191241C1
13	1480	Separator Drive	CYL WP191244C1
14	1440 (Eff S/N20715), 1460 (Eff S/N23250)	Straw Chopper Drive	CYL WP181012C1
14	1480 (Eff S/N 24001)	Straw Chopper Drive	CYL WP181013C1
15	1440, 1460, 1480	Slow Speed Fan Jackshaft, 76"	CYL WP610521R1
16	1440(Prior S/N20715), 1460(Prior S/N23250), 1480(Prior S/N2400)	Straw Spreader Drive	CYL WP153359C1
16	1440(Eff S/N20715), 1460(Eff S/N23250), 1480(Eff S/N24001)	Straw Spreader Drive	CYL WP196371C1
17	1440, 1460, 1480	Engine Fan (D436 Engine)	CYL WP537072R92



# FITS INTERNATIONAL

## Belt - 1620

Q Power® Belts, when you can't stop, you need the belt that won't stop. American made Q Power® Belts belts are designed to keep you and your equipment in the field. No matter what the crop... beans to corn, no matter what the conditions ... muddy to dry. Q Power® Belts keeps you running. No other belt can stand up to the demand of your equipment and your schedule better than Q Power® Belts.



**Right Hand View**

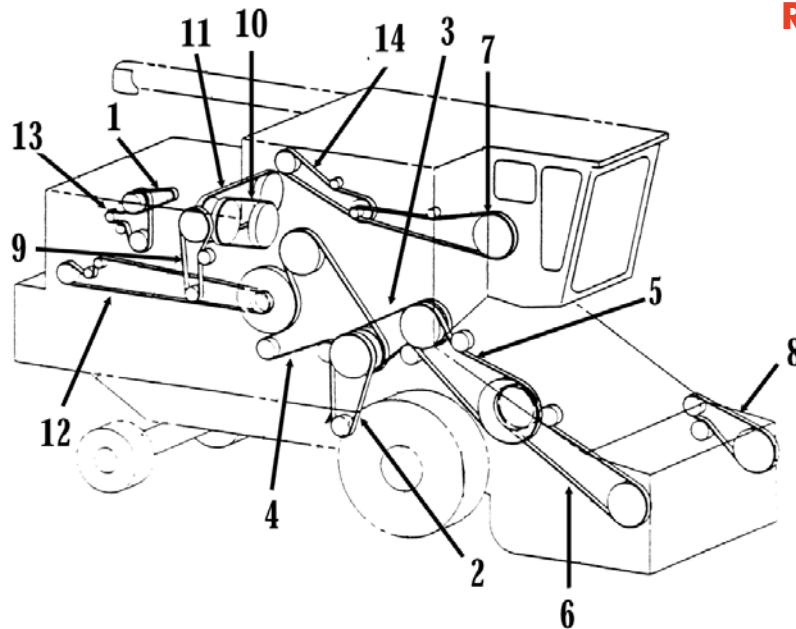
NUMBER	APPLICATION	DESCRIPTION	PART NUMBER
1	1620	Engine Fan & Alternator	CYL WPJ911574
2	1620	Air Conditioning Compressor	CYL WP396829R1
3	1620	Separator Drive	BEV QP191241C1
4	1620	Rotor Drive	BEV QP244420A1
5	1620	Grain Tank Unloader Drive	CYL WP191290C1
6	1620	Auxiliary Pump Drive	CYL WP1970115C1
8	1620	Reel Pump Drive, 47"	CYL WP1979606C1
8	1620	Reel Pump Drive, 54.5"	CYL WP1330311C1
9	1620	Feeder Drive, w/o Rock Trap	BEV QP192738C1
9	1620	Feeder Drive, w/ Rock Trap	CYL WP1315168C1
10	1620	Cleaning Fan Drive	BEV QP195396C2
11	1620	Cleaning Fan Jackshaft	CYL WP191305C1
12	1620	Elevator Drive, w/ Straw Chopper	BEV QP181055C1
12	1620	Elevator Drive, w/ Discharge Beater	BEV QP186509C2
13	1620	Straw Chopper Drive	CYL WP1315265C1
14	1620	Straw Spreader Drive	CYL WP196371C1



**FITS INTERNATIONAL**

**Belt - 1640, 1660, 1680**

Q Power® Belts, when you can't stop, you need the belt that won't stop. American made Q Power® Belts belts are designed to keep you and your equipment in the field. No matter what the crop... beans to corn, no matter what the conditions ... muddy to dry. Q Power® Belts keeps you running. No other belt can stand up to the demand of your equipment and your schedule better than Q Power® Belts.



**Right Hand View**



NUMBER	APPLICATION	DESCRIPTION	PART NUMBER
1	1640, 1660, 1680	Air Conditioning Compressor	CYL WP396829R1
2	1640, 1660, 1680	Cleaning Fan Drive	BEV QP195396C2
3	1640, 1660	Fan Jackshaft Drive	CYL WP191305C1
3	1680 Fan	Jackshaft Drive	CYL WP188213C1
4	1640, 1660, 1680	Elevator Drive, w/ Straw Chopper	BEV QP181055C1
4	1640, 1660, 1680	Elevator Drive, w/ Discharge Beater	BEV QP186509C2
6	1660	Feeder Jackshaft Drive, 47"	CYL WP1313095C2
6	1660	Feeder Jackshaft Drive, 54.5"	BEV QP1313097C3
5	1680	Feeder Drive, w/o Rock Trap	BEV QP194528C1
6	1680	Feeder Jackshaft Drive, 54.5"	BEV QP1313097C3
6	1680	Feeder Jackshaft Drive, 60"	BEV QP1308489C2
5	1640, 1660	Feeder Drive, w/o Rock Trap	BEV QP192738C1
5	1680	Feeder Drive, w/ Rock Trap	CYL WP1315074C1
7	1640, 1660 (Prior S/N 102897)	Grain Tank Unloader Drive	CYL WP191290C1
7	1680	Grain Tank Unloader Drive	CYL WP191291C1
8	(1640, 1660) (S/N 34860-97170)	Reel Pump Drive, 47"	CYL WP1979606C1
8	(1640, 1660) 1680 (S/N 34860-97170),	Reel Pump Drive, 54.5"	CYL WP1330311C1
8	(1640, 1660) (Eff S/N 97171) (Prior S/N 34860)	Reel Pump Drive, 47"	CYL WP1321564C1
8	(1640, 1660) (Prior S/N 34860) (Eff S/N 97171) 1680 (Prior S/N 46598) & (Eff S/N 115001)	Reel Pump Drive, 54.5"	CYL WP1321565C1

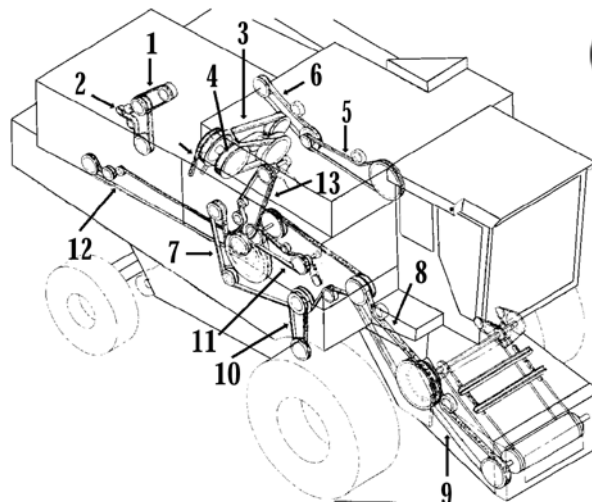
## FITS INTERNATIONAL

## Belt - 1640, 1660, 1680 (Continued)

NUMBER	APPLICATION	DESCRIPTION	PART NUMBER
8	1680 (Prior S/N4659) & (Eff S/N115001)	Reel Pump Drive, 60"	CYL WP1315226C1
8	1680	Reel Pump Drive, 54.5"	CYL WP1979607C1
9	1640, 1660	Straw Chopper Drive	CYL WP1315265C1
9	1680	Straw Chopper Drive	CYL WP1315266C1
10	1640, 1660	Rotor Drive	BEV QP244420A1
10	1680	Rotor Drive	BEV QP244422A1
11	1640, 1660	Separator Drive	BEV QP191241C1
11	1680	Separator Drive	CYL WP1330499C1
12	1640, 1660, 1680	Straw Spreader Drive	CYL WP196371C1
5	1640, 1660	Feeder Drive, w/ Rock Trap	CYL WP1315168C1
13	1640, 1660, 1680	Engine Fan & Alternator	CYL WPJ911574
14	1640, 1660	Auxiliary Pump Drive	CYL WP1970115C1
14	1680	Auxiliary Pump Drive	CYL WP1970116C1

## Belt - 1644, 1666, 1688, 2144, 2166, 2188

Q Power® Belts, when you can't stop, you need the belt that won't stop. American made Q Power® Belts belts are designed to keep you and your equipment in the field. No matter what the crop... beans to corn, no matter what the conditions ... muddy to dry. Q Power® Belts keeps you running. No other belt can stand up to the demand of your equipment and your schedule better than Q Power® Belts.



NUMBER	APPLICATION	DESCRIPTION	PART NUMBER
1	1666, 1688, 2166, 2188	Compressor, A/C	CYL WP396829R1
1	1644, 2144	Compressor, AC	CYL WP1250587C1
2	1644, 2144	Fan, Alternator, Water Pump	CYL WPJ911565
2	1666, 1688, 2166, 2188	Fan, Alternator, Waterpump	CYL WPJ911572
3	1688, 2188	Separator Drive	BEV QP1541702C1
3	1644, 166, 2144, 2166	Separator Drive	BEV QP191241C1
4	1644, 1666, 2144, 2166	Rotor Drive, Variable	BEV QP244420A1

**FITS INTERNATIONAL**
**Belt - 1644, 1666, 1688, 2144, 2166, 2188 (Continued)**

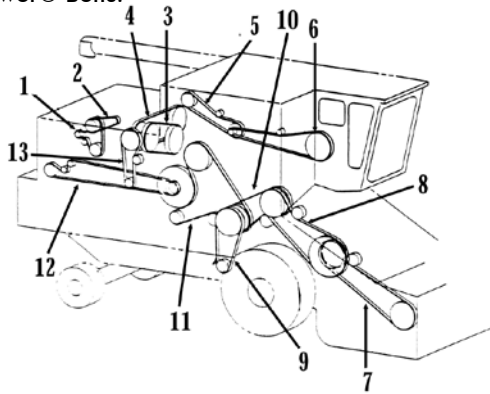
NUMBER	APPLICATION	DESCRIPTION	PART NUMBER
4	1688, 2188	Rotor Drive	BEV QP244422A1
5	1644, 1666	Grain Tank Unloader Drive	CYL WP1989216C1
5	1688, 2188	Grain Tank Unloader Drive	CYL WP1989217C1
6	2144, 2166, 2188	Auxilliary Pump Drive	CYL WP124573A1
6	1644	Auxilliary Pump Drive	CYL WP1347387C1
6	1666	Auxilliary Pump Drive	CYL WP1541699C1
6	1688	Auxilliary Pump Drive	CYL WP1541700C1
7	1644, 1666, 2144, 2166	Straw Chopper Drive	CYL WP1315265C1
7	1688, 2188	Straw Chopper Drive	CYL WP1315266C1
8	1688, 2188	Feeder Drive w/ rock Trap	CYL WP1315074C1
8	1644, 1666, 2144, 2166	Feeder Drive w/ rock Trap	CYL WP1315168C1
8	1644, 1666, 2144, 2166	Feeder Drive w/o Rock Trap	BEV QP192738C1
8	1688, 2188	Feeder Drive W/o Rock Trap	BEV QP194528C1
9	1688, 2144, 2166, 2188	Feeder Jackshaft Drive w/ 60" Feeder	BEV QP1308489C2
9	1644, 1666	Feeder Jackshaft Drive, w/ 47" Feeder	CYL WP1313095C2
9	1644, 1666, 1688, 2144, 2166, 2188	Feeder Jackshaft Drive w/ 54 1/2" Feeder	BEV QP1313097C3
10	1688, 2188	Cleaning Fan Jackshaft Drive	CYL WP188213C1
10	1644, 1666, 2166	Cleaning Fan Jackshaft Drive	CYL WP191305C1
11	1644, 1666, 1688, 2144, 2166, 2188	Cleaning Fan Drive	BEV QP1541569C1
12	1644, 1666, 1688, 2144, 2166, 2188	Straw Spreader Drive	CYL WP196371C1
13	1644, 1666, 1688	Elevator Drive	BEV QP181055C1
13	1644, 1666, 1688, 2144, 2166, 2188	Elevator Drive W/discharge Beater	BEV QP186509C2



# FITS INTERNATIONAL

## Belt - 2344, 2366, 2388

Q Power® Belts, when you can't stop, you need the belt that won't stop. American made Q Power® Belts belts are designed to keep you and your equipment in the field. No matter what the crop... beans to corn, no matter what the conditions ... muddy to dry. Q Power® Belts keeps you running. No other belt can stand up to the demand of your equipment and your schedule better than Q Power® Belts.



**Right Hand View**



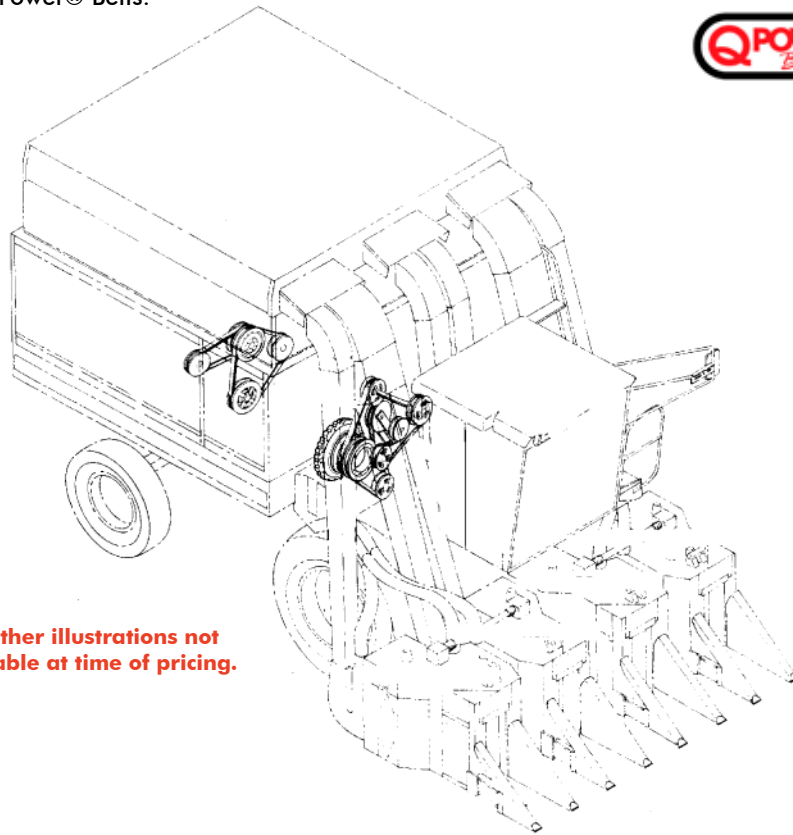
NUMBER	APPLICATION	DESCRIPTION	PART NUMBER
1	2366, 2388	Engine Fan & Alternator	CYL WPJ911572
1	2344	Engine Fan & Alternator	CYL WPJ911565
2	2344	Air Conditioning Compressor	CYL WP164550R2
2	2366, 2388	Air Conditioning Compressor	CYL WP396829R1
3	2344, 2366	Rotor Drive	BEV QP244420A1
3	2388	Rotor Drive	BEV QP244423A1
4	2344, 2366	Separator Drive	BEV QP191241C1
4	2388	Separator Drive	BEV QP1541702C1
5	2344, 2366	Auxilliary Pump Drive	CYL WP1541700C1
5	2388	Auxilliary Pump Drive	CYL WP124573A1
6	2344, 2366	Grain Tank Unloader Drive	CYL WP191290C1
6	2388	Grain Tank Unloader Drive	CYL WP1989217C1
7	2344, 2366, 2388	Feeder Jackshaft Drive, 54 1/2" Feeder	BEV QP1313097C3
7	2344, 2366, 2388	Feeder Jackshaft Drive, 60" Feeder	BEV QP1308489C2
8	23,442,366	Feeder Drive W/o Rock Trap	BEV QP192738C1
8	2388	Feeder Drive W/o Rock Trap	BEV QP194528C1
8	2344, 2366	Feeder Drive W/ Rock Trap	CYL WP1315168C1
8	2388	Feeder Drive w/ Rock Trap	CYL WP1315074C1
9	2344, 2366	Cleaning Fan Drive	BEV QP1541569C1
9	2388	Cleaning Fan Drive	BEV QP301146A1
10	2344, 2366	Cleaning Fan Jackshaft Drive	CYL WP191305C1
10	2388	Cleaning Fan Jackshaft Drive	CYL WP188213C3
11	2344, 2366, 2388	Elevator Drive w/o Straw Chopper	BEV QP186509C2
11	2344, 2366, 2388	Elevator Drive w/ Straw Chopper	BEV QP181055C1
12	2344, 2366, 2388	Straw Spreader	CYL WP196371C1
13	2344, 2366	Straw Chopper Drive	CYL WP1315265C1
13	2388	Straw Chopper Drive	CYL WP1315266C1



**FITS INTERNATIONAL**

**Belt - 782, 1822, 1844, 2022, 2044, 2055**

Q Power® Belts, when you can't stop, you need the belt that won't stop. American made Q Power® Belts belts are designed to keep you and your equipment in the field. No matter what the crop... beans to corn, no matter what the conditions ... muddy to dry. Q Power® Belts keeps you running. No other belt can stand up to the demand of your equipment and your schedule better than Q Power® Belts.



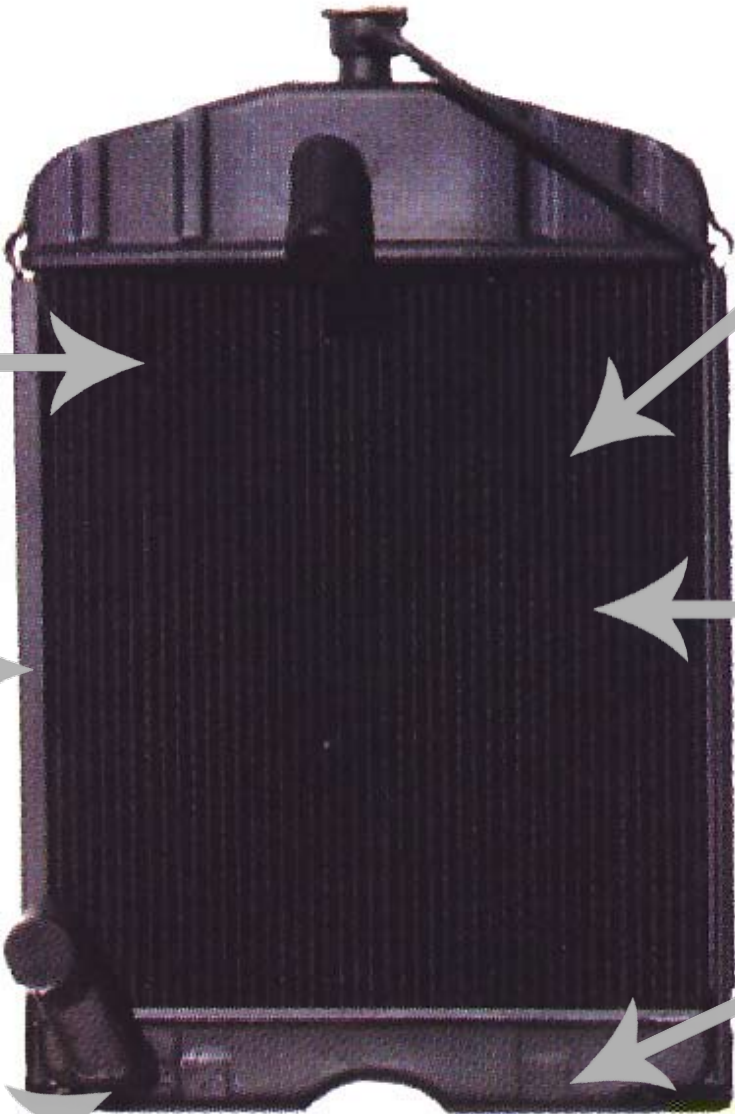
Swather illustrations not available at time of pricing.

NUMBER	APPLICATION	DESCRIPTION	PART NUMBER
782	782	Fan	CYL WP214522C1
782	782	Aux. Drum Drive	CYL WP210185C1
782	782	Hyd. Pump	CYL WP656349R1
	1822, 1844, 2022, 2044, 2055	Front Fan	CYL WP1338328C1
	1822, 1844, 2022, 2044	Middle Fan	CYL WP1260258C2
	1822, 1844, 2022, 2044	Fan	CYL WP1288899C5
	2055	Fan	CYL WP1546117C2
	1822, 1844, 2022, 2044	Hyd Pump	CYL WP1285320C1
	2055	Hyd Pump (Replaces CYL WP1285320C1)	CYL WP1546118C1



FITS JOHN DEERE

Combine Radiators



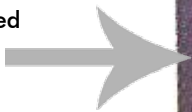
Tanks & Headers

Heavy ribbed brass tanks & headers to better increase the durability & life of the cooling system.



Side Channels

Heavy duty steel side channels soldered or welded to tank mean long life and added strength.



Design

Deep solder joints on tanks & headers mean thousands of hours of industrial service.



Tubes

Heavy wall industrial coolant tubes avoid flex & failure, plus we use plenty of tubes for extra cooling.



Fins

Industrial strength fins, plus 100% fin to tube contact for extra cooling.



Oil Coolers (if applicable)

All our oil coolers are OEM design or better, you can't see the cooler because it's inside, so TRUST Northern for the right cooler!



**FITS JOHN DEERE**

**Radiator Application Guide**

MODEL	OEM NO.	PART NO.	RAD CAP NO.	NOTES
CTS Rice	AH128257	TRP CR9720	-	5 Row
CTS Rice	AH144719, AH169363	TRP CR9722	-	6 Row; SN 655420 & After
6600	AH87990, AH112173	TRP CR9723	21-14	6404D & 6404TH engine
6600	AH78889, AH78888	TRP CR9725	-	6329DH engine; SN: 105800 & Before
6600	AH87989, AH87820	TBA	-	SN 105801 & After
6620	AH124726, AH112173	TRP CR9723	21-4	-
6622	AH124726	TRP CR9723	21-4	-
7700	AH87823, AH124727	TRP CR9577	-	SN 163901 & After
7720	AH124728 , AH124727	TRP CR9577	21-294B	Hydro only & Posi-Torque
7722	AH124728	TRP CR9577	21-294B	-
8820	AH124728	TRP CR9577	21-4	-
9400	AH137544	TRP CR9719	21-292B	SN 640100 & Before
9400	AH144719, AH169363	TRP CR9722	21-292B	SN 655317 & After; Heavy Duty Cooling
9400	AH128257	TRP CR9720	21-292B	SN 640101 & After; Standard Cooling
9410	AH128257	TRP CR9720	-	5 Row, Standard Cooling
9410	AH144719	TRP CR9722	-	6 Row, Heavy Duty Cooling
9450	AH128257	TRP CR9720	-	-
9500	AH137544	TRP CR9719	21-292B	SN 640200 & Before; T-Series Engine; w/o After Cooler
9500	AH128257, AH169362	TRP CR9720	21-292B	SN 640201 & After; H-Series eng; w/After Cooler; Std. Cooling
9500	AH144719, AH169363	TRP CR9722	21-292B	SN 640201 & After; Heavy Duty Cooling
9510	AH128257, AH169362	TRP CR9720	-	5 Row; std. Cooling
9510	AH144719, AH169363	TRP CR9722	-	6 Row; Heavy Duty Cooling
9550	AH168350	TRP CR9889	-	SN 700201 & After; Sidehill - SN 700701 & After
9550	AH128257, AH169362	TRP CR9720	-	SN 700200 & Before; Sidehill - SN 700700 & Before; Std. Cooling
9550	AH144719	TRP CR9722	-	SN 700200 & Before; Sidehill - SN 700700 & Before; HD Cooling
9560	AH168350	TRP CR9889	-	Also fits Sidehill & STS
9600	AH137544	TRP CR9719	21-292B	SN 640300 & Before; w/o 253 HP eng.
9600	AH144719, AH169363	TRP CR9722	21-292B	SN 640301 & After; w/Hi & Lo Power Engine
9600	AH128257	TRP CR9720	21-292B	SN 640300 & Before; w/253 HP eng.
9610	AH144719, AH169363	TRP CR9722	-	-
9650	AH144719, AH169363	TRP CR9722	-	6 Row; SN 695300 & Before; 9650 CTS; SN 695400 & Before
9650	AH168350	TRP CR9889	-	4 Row; SN 695301 & After; 9650CTS ; SN 695401 & After
9650STS	AH169364	TBA	-	SN 695500 & Before
9650STS	AH168080	TBA	-	SN 695501 & After
9660	AH168350	TRP CR9889	-	Also fits CTS models
9660	AH168080	TBA	-	STS Models only
9750	AH168011	TBA	-	SN 695501 & After
9760	AH168080	TBA	-	STS Models only
9750STS	AH169364	TBA	-	SN 695600 & Before
9750STS	AH168080	TBA	-	SN 695601 & After

## FITS JOHN DEERE

### Radiator Illustration Guide

#### John Deere Combine TRP CR9577

7700, 7720, 7722, 8820

Overall: H-39  $\frac{3}{4}$ " W-31  $\frac{1}{4}$ "  
 Core: H-32  $\frac{1}{2}$ " W-27, D-3  $\frac{1}{2}$ "  
 Filler Neck Height- $\frac{3}{4}$ "  
 Inlet-2", Outlet-2"  
 5 Row, 6 FPI

OEM# AH124728, AH87502



#### John Deere Combine TRP CR9719

9400, 9500, 9600

Overall: H-42", W-21  $\frac{3}{16}$ "  
 Core: H-33  $\frac{7}{8}$ ", W-20", D-3  $\frac{1}{2}$ "  
 Filler Neck Height- $\frac{3}{4}$ "  
 Inlet-2  $\frac{1}{2}$ ", Outlet-2  $\frac{1}{2}$ "  
 5 Row, 6 FPI

OEM# AH137544



#### John Deere Combine TRP CR9720

9400, 9410, 9450, 9500, 9510,  
 9550, 9600, 9650, 9650 CTS

Overall: H-41  $\frac{3}{4}$ " W-26"  
 Core: H-33  $\frac{3}{4}$ " W-25  $\frac{1}{8}$ ", D-3  $\frac{1}{2}$ "  
 Filler Neck Height- $\frac{3}{4}$ "  
 Inlet-2  $\frac{1}{2}$ ", Outlet-2  $\frac{1}{2}$ "  
 5 Row, 6 FPI

OEM# AH128257, AH138940,  
 AH169362



#### John Deere Combine TRP CR9722

9400, 9410, 9450, 9500, 9510,  
 9550, 9600, 9650, 9650 CTS

Overall: H-42" W-26  $\frac{1}{4}$ "  
 Core: H-34" W-24  $\frac{5}{8}$ ", D-4"  
 Filler Neck Height- $\frac{3}{4}$ "  
 Inlet-2  $\frac{1}{2}$ ", Outlet-2  $\frac{1}{2}$ "  
 6 Row, 6 FPI

OEM# AH144719, AH169363



#### John Deere Combine TRP CR9723

6600 w/6404D & 6404TH eng.,  
 6620, 6622

Overall: H-39  $\frac{1}{16}$ " W-30  $\frac{1}{8}$ "  
 Core: H-32  $\frac{3}{8}$ " W-27, D-3  $\frac{1}{2}$ "  
 Filler Neck Height- $\frac{3}{4}$ "  
 Inlet-2", Outlet-2"  
 5 Row, 6 FPI

OEM# AH87989, AH124726



#### John Deere Combine TRP CR9724

1640, 1644, 1660, 1666, 1680,  
 2144, 2166, 2344

Overall: H-37  $\frac{7}{8}$ " W-31  $\frac{3}{8}$ "  
 Core: H-32  $\frac{1}{2}$ " W-30  $\frac{3}{8}$ ", D-5  $\frac{7}{16}$ "  
 Filler Neck Height- $\frac{3}{4}$ "  
 Inlet-2", Outlet-2"  
 6 Row, 6 FPI

OEM# 1547946C3



**FITS JOHN DEERE**

**Radiator Illustration Guide**

**John Deere Combine TRP CR9725**

6600, 7700

Overall: H-35" W-29<sup>1</sup>/<sub>4</sub>"  
Core: H-27<sup>3</sup>/<sub>4</sub>" W-27", D-3<sup>1</sup>/<sub>2</sub>"  
Filler Neck Height-<sup>3</sup>/<sub>4</sub>"  
Inlet-2", Outlet-2"  
4 Row, 6 FPI

OEM# AH78889



**John Deere Combine TRP CR9889**

9560, 9650, 9660

Overall: H-41<sup>1</sup>/<sub>4</sub> W-27<sup>5</sup>/<sub>16</sub>"  
Core: H-34<sup>1</sup>/<sub>4</sub>" W-25<sup>3</sup>/<sub>4</sub>", D-3<sup>1</sup>/<sub>8</sub>"  
Filler Neck Height-<sup>7</sup>/<sub>8</sub>"  
Inlet-2<sup>1</sup>/<sub>2</sub>", Outlet-2<sup>1</sup>/<sub>2</sub>"  
4 Row, 5 FPI

OEM# AH168350



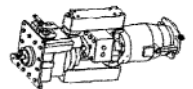
**Hydro Output Shafts**

APPLICATION	DESCRIPTION	PART NUMBER
6600, 7700, Forage Harvester: 5200, 5400, 5440, 5460, Prior S/N 425000	New Hydro Output Shaft For Sunstrand Units Replaces OE P/N H64814 11.66" Lng, 1.48" Dia., 19/26 Splines	CYL WPH81605
6620, 7720, 8820, Forage Harvester: (5200, 5400, 5440, 5460, Eff. S/N 425001), 5720, 5730, 5820, 5830	New Hydro Output Shaft 200 Series-Sunstrand 12.00" Lng, 1.48 Dia., 26/23 Splines	CYL WPH98071



**Hydrostat Transmissions - Combine**

Sauer / Sundstrand, Eaton, and Dynapower are a few of the major brands of Combine Hydrostats we stock. Our hydrostats are remanufactured by a Nationally known remanufacturer that has been recognized as a "Remanufacturing Facility" by Sauer/ Sundstrand. All units are assembled from scratch by a factory trained technician, utilizing GENUINE remanufactured and replacement parts. All units are fully tested to factory specification assuring you of the highest quality and maximum performance.



APPLICATION	DESCRIPTION	PART NUMBER
6600, 7700	Remanufactured Hydrostat, Sunstrand Combines	CYL WPH7700S
6620, 7720	Remanufactured Hydrostat, Eaton Combines	CYL WPH7720E
6620, 7720	Remanufactured Hydrostat, Sunstrand Combines	CYL WPH7720S
8820	Remanufactured Hydrostat, Eaton Combines	CYL WPH8820E
8820	Remanufactured Hydrostat, Sunstrand Combines	CYL WPH8820S
9400, 9500, 9600 ( w/ Ring & -46/46 Pinion Final)	Remanufactured Hydrostat, Eaton - 2 Piece Combines	CYL WPH9500E
9600 (w/ Planet Final Drive)	Remanufactured Hydrostat, Eaton - 2 Piece Combines	CYL WPH9600E-64/64
5200, 5400, 5440, 5460	Remanufactured Hydrostat, Sunstrand Forage Harvesters	CYL WPH5200S1-23/23
5200, 5400, 5440, 5460, 5720, 5820	Remanufactured Hydrostat, Sunstrand Forage Harvesters	CYL WPH5200S2-23/23
5720, 5730, 5820, 5830	Remanufactured Hydrostat, Sunstrand Forage Harvesters	CYL WPH5720S1-23/23
5720, 5730, 5820, 5830	Remanufactured Hydrostat, Sunstrand Forage Harvesters	CYL WPH5720S2-23/23
5720, 5730, 5820, 5830	Remanufactured Hydrostat, Sunstrand Forage Harvesters	CYL WPH5720S4-23/23
9900, 9910, 482, 484	Remanufactured Hydrostat, Eaton Cotton Pickers & Strippers	CYL WPH9900S-22/22
9910, 9920, 9960, 484, 7440, H9900E-39/39, 7445	Remanufactured Hydrostat, Sunstrand Cotton Pickers & Strippers	CYL WPH9900E-39/39
9930	Remanufactured Hydrostat, Sunstrand Cotton Pickers & Strippers	CYL WPH9930S2-22/22



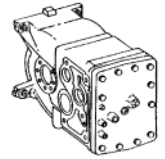
## FITS JOHN DEERE

### Transmission Input Shafts

APPLICATION	DESCRIPTION	PART NUMBER
6620, 7720, 8820	Units w/ hydrostatic drive New Transmission Input Shaft This shaft is used internally in the gear transmission and is used only on units that have the hydrostatic drive	CYL WPAH109692

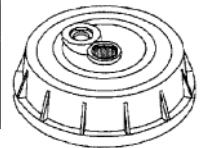
### Transmissions - Combine

APPLICATION	DESCRIPTION	PART NUMBER
6600, 7700	Remanufactured Transmission Units w/ Posi-Torque or Gear Drive	CYL WPT100PT
6600 (Early), 7700 (Early)	Remanufactured Transmission Units w/ Hydrostat Drives	CYL WPT100H-E
6600 (Late), 7700 (Late)	Remanufactured Transmission Units w/ Hydrostat Drives	CYL WPT100H-L
6620, 7720	Remanufactured Transmission Units w/ Posi-Torque or Gear Drive	CYL WPT200PT
6620, 7720	Remanufactured Transmission Units w/ Hydrostat Drives	CYL WPT200H
8820	Remanufactured Transmission Units w/ Hydrostat Drives	CYL WPT8820
9400, 9500, 9600	Remanufactured Transmission Combines with Bull Gear Final Drives	CYL WPT9600B
9400, 9500, 9600	Remanufactured Transmission For combines with Planetary Final Drives	CYL WPT9600P



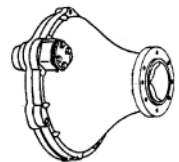
### Brake Drums

APPLICATION	DESCRIPTION	PART NUMBER
6600 Eff S/N 105891, 7700 Eff S/N 111901, 6620, 7720, 8820 Forage Harvester: (5200, 5400, Eff. S/N 160000), 5440, 5460, 5720, 5730, 5820, 5830	New Brake Drum	CYL WPH85887



### Final Drives and Components

APPLICATION	DESCRIPTION	PART NUMBER
4400, 4420	Remanufactured Final Drives, Standard Duty, 6" Pilot Hole	CYL WPF4420
4400, 4420	Remanufactured Final Drives, Heavy Duty, 8 5/8" Pilot Hole	CYL WPF4420HD
6600	Remanufactured Final Drives, Ratio - 13-89, Small Pinion	CYL WPF13-89SP
6600	Remanufactured Final Drives Ratio - 13-89, Big Pinion (H85879)	CYL WPF13-89BP
6600, 7700	Remanufactured Final Drives; Ratio - 11-90, Small Pinion Pinion #- H75166	CYL WPF11-90SP
6600, 6620, 7700, 7720	Remanufactured Final Drives Ratio - 11-90, Big Pinion (H85817)	CYL WPF11-90BP
6600, 6620, 7700, 7720	Remanufactured Final Drives, Ratio - 10-82	CYL WPF10-82
6600, 7700	Remanufactured Final Drives, Ratio - 11-104, Small Pinion Pinion #- H75166	CYL WPF11-104SP
6600, 6620, 7700, 7720	Remanufactured Final Drives, Ratio - 11-104, Big Pinion (H85817)	CYL WPF11-104BP
6600, 6620, 7700, 7720	Remanufactured Final Drives, Ratio - 10-95	CYL WPF10-95





**FITS JOHN DEERE**

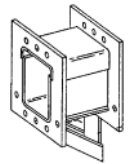
**Final Drives and Components (Continued)**

APPLICATION	DESCRIPTION	PART NUMBER
7720, 8820	Remanufactured Final Drives, Planetary Type	CYL WPF8820PT
9400, 9410, 9450, 9500, 9510, 9550, 9600, 9610, 9650, 9660, 9660CTS, CTS, CTS II	Remanufactured Final Drive, Ratio - 10-95	CYL FD9600-95L (Left Hand) CYL FD9600-95R (Right Hand)
9400, 9410, 9450, 9500, 9510, 9550, 9600, 9610, 9650, 9660, 9660CTS, CTS, CTS II	Remanufactured Final Drives, Bull Gear Type	CYL FD9600R (Right Hand) CYL FD9600L (Left Hand)
9400, 9410, 9450, 9500, 9510, 9550, 9600, 9610, 9650, 9660, 9660CTS, CTS, CTS II	Remanufactured Final Drives, Planetary Type	CYL FD9600PTR (Right Hand) CYL FD9600PTL (Left Hand)
9650, 9650CTS, 9650STS, 9660, 9660CTS, 9660STS, 9750STS, 9760STS, 9860STS	Remanufactured Final Drive, Heavy Duty	CYL FD9650R (Right Hand) CYL FD9650L (Left Hand)

**Axle Extension Kits**

**We have axle extension kits to fit most models of combines. These kit come in different sizes and can even be custom made to fit your application. Ask your sales representative for Availability and Pricing.**

APPLICATION	DESCRIPTION	PART NUMBER
6600, 7700, 6620, 7720	New Axle Extension Kit, 8" Long Includes: New Truss Rod, 2) Used Axle Drive Shafts *Must have Original Axle Length*	CYL WPAEJD20-8K
6600, 7700, 6620, 7720	New Axle Extension Kit, 16" Long, Includes: New Truss Rod, 2) Used Axle Drive Shafts *Must have Original Axle Length*	CYL WPAEJD20-16K
6600, 7700, 6620, 7720	New Axle Extension, 8" Lng	CYL WPAEJD20-8R (Right Hand) CYL WPAEJD20-8L (Left Hand)
6600, 7700, 6620, 7720	New Axle Extension, 16" Lng	CYL WPAEJD20-16R (Right Hand) CYL WPAEJD20-16L (Left hand)
6600, 7700, 6620, 7720	New Truss Rod, For use w/ 8" Axle Extensions	CYL WPTRJD20-66
6600, 7700, 6620, 7720	New Truss Rod, For use w/ 16" Axle Extensions	CYL WPTRJD20-77



**Axle Drive Shafts and Couplers**

APPLICATION	DESCRIPTION	PART NUMBER
4400 w/ H.D. final drive (Eff. S/N 151501), 4420	New Axle Drive Shaft, 14.688" Lng w/ 21 Splines	CYL WPH87165
Units with Hydro Transmissions: 6600 (Eff S/N 105891), 6620	New Axle Drive Shaft, Right Hand, 9" Long w/ 23 Splines Replaces OE P/N H85884, H104549	CYL WPH123619
Units with Hydro Transmissions: 6600 (Eff S/N 105981), 6620, 7700 (Eff S/N 111901), 7720	New Axle Drive Shaft, Left Hand 20.813" Long w/ 23 Splines, Replaces OE P/N H85875, H104542	CYL WPH123612
Units with Hydro Transmissions: 7700 (Eff S/N 111901), 7720	New Axle Drive Shaft, Right Hand, 19.875" Long w/ 23 Splines, Replaces OE P/N H85877, H104544	CYL WPH123614
Units with Belt Drive Transmissions: 7700 (Eff S/N 602386), 7720	New Axle Drive Shaft, Right Hand 25.813" Long w/ 23 Splines	CYL WPH123611
Units with Belt Drive Transmissions: Left or Right: 6600 (Eff S/N 105891), 6620, Left Only: 7700 (Eff S/N 111901), 7720	New Axle Drive Shaft 14.938" Long w/ 23 Splines	CYL WPH123613



## FITS JOHN DEERE

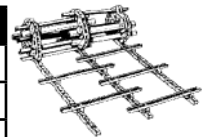
### Axle Drive Shafts and Couplers (Continued)

APPLICATION	DESCRIPTION	PART NUMBER
6600, 6620, 7700, 7720	New Axle Drive Shaft, 15.750" Long, For units with 8" axle extensions.	CYL WPH123630
6600, 6620, 7700, 7720	New Axle Drive Shaft, 7.75" Long w/ 23 Splines, For units with 8" axle extensions. Replaces OE P/N H95196	CYL WPH123629
6600, 6620, 7700, 7720, 7722, Forage Harvester: 5440, 5460, 5720, 5820	New Axle Drive Shaft Coupler	CYL WPH106283
7720 Eff. s/n 602386	New Axle Drive Shaft, 11.438" Long For units with wide spacers dual wheels or planetary final drives.	CYL WPH123627
8820	New Axle Drive Shaft, 6.563" Long, For units with wide spacers dual wheels or planetary final drives.	CYL WPH123626
8820	New Axle Drive Shaft, Right Hand, 30.688" Long w/ 23 Splines Replaces OE P/N H93678, H104556	CYL WPH123624
8820	New Axle Drive Shaft, Left Hand, 18.813" Long w/ 23 Splines Replaces OE P/N H93678, H104556	CYL WPH123623

### Feederhouse Chains

Our feederhouse chains utilize American Made chain with the slats mounted directly over the roller pins helping to eliminate stretching. The slats are bolted to the chain with  $\frac{3}{8}$ " grade 5 plated bolts and locknuts, for easy replacement. Chains feature full side plates and high strength steel for added strength. All Feederhouse chains are supplied with serrated slats every 4th link. Please ask your sales representative about availability and cost of different slats or chain if required for your application. To extend the life of your chain assemblies, always replace the sprockets when installing a new chain.

APPLICATION	DESCRIPTION	PART NUMBER
95	New Feederhouse Chain, 77 links - Serrated	CYL WPAH20616
105	New Feederhouse Chain, 78 links - Serrated	CYL WPAH20621L
3300	New Feederhouse Chain, 76 links - T Slat	CYL WPAH86859L
4400, 4420 - Titans	New Feederhouse Chain, 87 links - T Slat, Closed Spaced	CYL WPAH123532
4400, 4420 - Titans	New Feederhouse Chain, 87 Links - T Slat, Wide Spaced	CYL WPAH116711
6600, 6620 - Titans	New Feederhouse Chain, 87 links - T Slat, Closed Spaced	CYL WPAH123450
6600, 6620 - Titans	New Feederhouse Chain, 87 links - T Slat, Wide Spaced	CYL WPAH123450
6600, 6620 - Titans	New Feederhouse Chain, 87 links - T Slat, Wide Spaced	CYL WPAH116713
6600, 6620 - Titans	New Feederhouse Chain, 87 links - T Slat, Extra Wide Spaced	CYL WPX28003
6600, 6620 - Titans	New Feederhouse Chain, 104 links - T Slat, Wide Spaced	CYL WPAH116714
7700, 7720	New Feederhouse Chain, 87 links T Slat, Closed Spaced	CYL WPAH123451
7700, 7720	New Feederhouse Chain, 87 links - T Slat, Wide Spaced	CYL WPAH116716
7700, 7720, 7720 Titan II	New Feederhouse Chain, 87 links - T Slat, Extra Wide Spaced	CYL WPX28002
7700, 7720 - Titans	New Feederhouse Chain, 102 links - T Slat, Closed Spaced	CYL WPAH123536
7700, 7720 - Titans	New Feederhouse Chain, 102 links - T Slat, Wide Spaced	CYL WPAH116717
7700, 7720 - Titans	New Feederhouse Chain, 128 links - T Slat, Closed Spaced	CYL WPX28004L
8820 - Titans	New Feederhouse Chain, 86 links - T Slat, Closed Spaced	CYL WPAH123452
8820 - Titans	New Feederhouse Chain, 86 links - T Slat, Wide Spaced	CYL WPAH116718
8820 - Titans	New Feederhouse Chain, 86 links - T Slat, Extra Wide Spaced	CYL WPX28005L
8820 - Titans	New Feederhouse Chain, 128 links - T Slat, Closed Spaced	CYL WPAH123537
8820 - Titans	New Feederhouse Chain, 128 links - T Slat, Wide Spaced	CYL WPAH116719
9400, 9500, 9450, 9550, 9410, 9510, CTS, CTS II	New Feederhouse Chain 01 links, T slate, Wide Spaced, non-chrome pins	CYL WPX28001



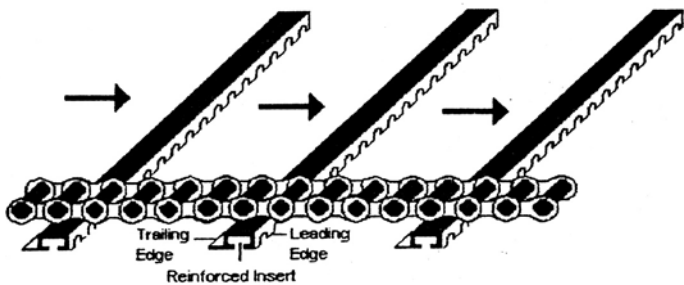
**FITS JOHN DEERE**

**Feederhouse Chains (Continued)**

APPLICATION	DESCRIPTION	PART NUMBER
9400, 9410, 9450, 9500, 9510, 9550, CTS, CTS II, 9650STS, 9750STS	New Feederhouse Chain 101 links - T Slat, Extra Wide Spaced, non-chrome pins	CYL WPX28006
9400, 9500, 9450, 9550, 9410, 9510, CTS, CTS II	New Feederhouse Chain 101 links - T Slat, Closed Spaced, chrome pins	CYL WPAH137845
9400, 9500, 9450, 9550, 9410, 9510, CTS, CTS II	New Feederhouse Chain 101 links - T Slat, Wide Spaced, chrome pins	CYL WPAH138187
9600, 9610, 9650	New Feederhouse Chain 101 links - T Slat, Extra Wide Spaced, non-chrome pins	CYL WPX28007
9600, 9610, 9650	New Feederhouse Chain, 101 links - T Slat, Wide Spaced, chrome pins Replaces AH138186	CYL WPAH207778 CYL WPX28010 (non-chrome pins)
9600, 9610, 9650	New Feederhouse Chain, 101 links - T Slat, Closed Spaced, chrome pins	CYL WPAH137844
9600, 9610, 9650	New Feederhouse Chain 101 link, T Slat, Widespaced, chrome pins, 557 chain	CYL WPX28009

**Harvest Plastic Slat Feeder Chain**

- Designed to handle today's larger crops and specialty crops gently and efficiently.
- Lighter, easier on drive components
- Super tough nylon slat with spring steel insert is less abrasive than a steel slat to the feeder house.
- Improves feeding, runs quieter, and lasts longer
- Reduces maintenance costs to save you money



**CHAIN**

- American made 557 chain not 550
- Heavier rollers and side links
- Outlasts

**SLAT**

- Super tough reinforced nylon to maintain shape
- 5160 Spring steel heat treated insert
- Bolted, not riveted
- Slat design forces material into the cylinder
- Leading Edge is notched for better feeding
- Trailing Edge eliminates back feeding
- Slats every 4th link on center chain.

DESCRIPTION	NO. OF CHAINS	NO. OF LINKS	NO. OF SLATS	SLAT LENGTH	C-C	WT	PART NO.
JD 6600/6620	3	86	22	22"	18 15/16"	111	SHI FC1020
JD 6601	3	73	18	22"	18 15/16"	96	SHI FC1021
JD 7700/7701/7720	3	86	22	27 7/16"	24 7/16"	124	SHI FC1025
JD 8820	4	86	32	22 15/16"	19 15/16"	161	SHI FC1030
JD 9400/10/50, 9500/10/50 CTS-CTS II	3	101	26	26 3/4"	23 11/16"	144	SHI FC1050
JD 9600/10/50/60 CTS-CTS II	4	101	37	22 3/8"	19 3/8"	187	SHI FC1055
JD 9650/60/70, 9750/60 STS	3	91	24	26 3/4 "	23 11/16"	140	SHI FC1060
STEEL SPLIT SPROCKET FOR HEX SHAFT						7	CYL JDSTSP1000

## FITS JOHN DEERE

### Feederhouse Chain Sprockets

To extend the life of your chain assemblies, always replace the sprockets when installing a new chain.

APPLICATION	DESCRIPTION	PART NUMBER
3300, 4400, 6600, 7700	New Feederhouse Chain Sprocket, 10 Teeth - 1.500" Hex - Forged Carbon Steel, Induction Hardened Teeth	CYL WPH121435
3300, 4400, 6600, 7700	New Feederhouse Chain Sprocket, Split Spocket 10 Teeth - 1.500" Hex *Late 6600 & 7700 may have a 1.750" shaft, check shaft size before ordering.	CYL WPFM-111 CYL WPFM-111H (Hardened)
6620, 7720, 8820, 9400 Eff. S/N 641501, 9500 Eff. S/N 643901, 9600 Eff. S/N 645301, CTS	New Feederhouse Chain Sprocket 10 Teeth - 1.750" Hex - Forged Carbon Steel, Induction	CYL WPH118583
6620, 7720, 8820, 9400 Eff. S/N 641501, 9500 Eff. S/N 643901, 9600 Eff. S/N 645301, CTS	New Feederhouse Chain Sprocket Split Sprocket, 10 Teeth - 1.750" Hex	CYL WPFM-112 CYL WPFM-112H (Hardened)
9410, 9450, 9510, 9550, 9560, 9610, 9650, 9660, CTS II, 9650CTS, 9660CTS	New Feederhouse Chain Sprocket - Outside 10 Teeth - 2.250" - Forged Carbon Steel Induction Hardened Teeth	CYL WPH159613
9410, 9450, 9510, 9550, 9560, 9610*, 9650*, 9660*, CTS II, 9650CTS, 9660CTS	New Feederhouse Chain Sprocket - Inside, 10 Teeth - 2.250" - Forged Carbon Steel, Induction Hardened Teeth 1 Req'd *2 Req'd	CYL WPH159614
9650STS, 9660STS, 750STS, 960STS, 9860STS	New Feederhouse Chain Sprocket - Outside, 13 Teeth - 2.250" - Forged Carbon Steel, Induction Hardened Teeth, 2 Req'd	CYL WPH159615
9650STS, 9660STS, 9750STS, 960STS, 9860STS	New Feederhouse Chain Sprocket - Inside, 13 Teeth - 2.250" - Forged Carbon Steel, Induction Hardened Teeth, 1 Req'd	CYL WPH159616



### Feederhouse Drums & Shafts

APPLICATION	DESCRIPTION	PART NUMBER
9600, 9610, 9650	Feeder House Drum	CYL WPAH142393
6600, 6620	Feeder House Drum Shaft	CYL WPH76631
7700, 7720	Feeder House Drum Shaft	CYL WPH77755
8820	Feeder House Drum Shaft	CYL WPH98558
9400, 9410, 9450, 9500, 9510, 9550, 9650STS, 9750STS, CTS9650, CTS, CTS II S/N 675101-679050	Feeder House Drum Shaft	CYL WPH123734
9600, 9610, 9650	Feeder House Drum Shaft	CYL WPH123733

### Feederhouse Shafts

APPLICATION	DESCRIPTION	PART NUMBER
6620 Eff S/N 551901	New Upper Feederhouse Shaft, 52.375"	CYL WPH113408
7700, 7720 Prior S/N 556300	New Upper Feederhouse Shaft, 63.375"	CYL WPH86089
7720 Eff S/N 556301	New Upper Feederhouse Shaft, 63.875"	CYL WPH113407
8820 Prior S/N 564100	New Upper Feederhouse Shaft, 74.687"	CYL WPH98560
8820 Eff S/N 564101	New Upper Feederhouse Shaft, 74.687"	CYL WPH113406
6620	New Lower Feederhouse Shafts w/ Feed Reverser	CYL WPAH97641
7720	New Lower Feederhouse Shafts w/ Feed Reverser	CYL WPAH97642

**FITS JOHN DEERE**

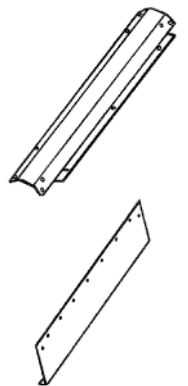
**Feederhouse Floor Sheets**

APPLICATION	DESCRIPTION	PART NUMBER
6600 (Eff S/N 5305), 6620 (Except Side Hill)	New Feederhouse Sheets, Lower Front Bottom Replaces OE P/N AH88598	CYL WPHLFBJD-6600
6600, 6620 (Not Sidehill)	New Feederhouse Sheets, Regular Length Feederhouse Upper Back - Bottom, Replaces OE P/N AH83618	CYL WPAH83618
7700 (Eff S/N 3642), 7720	New Feederhouse Sheets, Lower Front - Bottom Replaces OE P/N AH88599	CYL WPHLFBJD-7700
7700, 7720	New Feederhouse Sheets, Upper Back Bottom Regular Length Feederhouse, Replaces OE P/N AH83620	CYL WPAH83620
7720	New Feederhouse Sheets, Regular Length Feederhouse 43.50" x 37.00"	CYL WPAH124954
8820	New Feederhouse Sheets, Lower Front Bottom Replaces OE P/N AH96439	CYL WPAH96439
8820	New Feederhouse Sheets, Upper Back Bottom - Regular Length Replaces OE P/N AH96541	CYL WPAH96541
9400 (Prior S/N 640101), 9500 (Prior S/N 640201)	New Feederhouse Sheets, Return Floor - False Bottom Replaces OE P/N AH138963	CYL WPAH138963
9400 (Eff S/N 640101), 9500 Eff S/N 640201)	New Feederhouse Sheets, Bottom Floor Replaces OE P/N AH137733	CYL WPAH137733
9600	New Feederhouse Sheets, Return Floor - False Bottom Replaces OE P/N AH138962	CYL WPAH138962
9600	New Feederhouse Sheets, Bottom Floor	CYL WPAH137732



**Feederhouse Parts - Misc.**

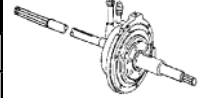
APPLICATION	DESCRIPTION	PART NUMBER
9400, 9410, 9450, 9500, 9510, 9550, 9650STS, 9750STS, 9650CTS, CTS, CTS II S/N 675101-679050	Front Shield	CYL WPH123633
9400 S/N 635243-640100, 9500 Rice, 9501, 9550 Rice, CTS, 9650 Rice	Front Wear Plate	CYL WPH143456
9400 Eff. S/N 640101, 9410, 9450, 9500, 9510, 9550, 9650, CTS, CTSII S/N 675101-679050	Front Wear Plate	CYL WPH144052
9400, 9410, 9450, 9500, 9501, 9510, 9510SH, 9550, 9550SH, 9650STS, 9750STS, 9650, CTS, CTSII S/N 675101-679050	Feeder House Seal Replaces: H170737, H169170, H131452	CYL WPH173904
9500, 9610	Front Shield	CYL WPH123632
9600 Eff S/N 640301, 9610, 9650	Front Wear Plate	CYL WPH144051
9600 S/N 635520-640300	Front Wear Plate	CYL WPH143455
3300, 4400, 4420, 6600, 6620, 7700, 7720, 8820	Drum Shaft Arm, Replaces: AH79728	CYL WPAH116698
9400, 9410, 9450, 9500, 9510, 95550, 9600, 9610, 9650, 9650STS, 9750STS, CTS9650, CTS, CTS II	Drum Shaft Arm	CYL WPAH126091



## FITS JOHN DEERE

### Feed Reverser Assembly

APPLICATION	DESCRIPTION	PART NUMBER
6620	Remanufactured Feed Reverser Assembly	CYL WPAH120068-R
7720, 7722	Remanufactured Feed Reverser Assembly	CYL WPAH120069-R
8820	Remanufactured Feed Reverser Assembly	CYL WPAH112813-R
9400,9500	Remanufactured Feed Reverser Assembly	CYL WPAH134864-R
9550, 9650STS, 9750STS, 9650CTS	Remanufactured Feed Reverser Assembly 67 1/2" Long	CYL WPAH159170-R
9600	Remanufactured Feed Reverser Assembly	CYL WPAH134863-R
9610	Remanufactured Feed Reverser Assembly	CYL WPAH156052-R
9650 HC	Remanufactured Feed Reverser Assembly 78 1/2" Long Shaft - Splined	CYL WPAH159171-R
6620, 6620SH, 6622, 9400, 9410, 9450, 9500, 9500SH, 9510, 9510SH, 9550, 9550SH, 9600, 9610, 9650, 9650CTS, 9650STS, 9750STS, CTS, CTS II	Planetary Input Gear w/ Oil Lube Spots	CYL WPH166216
6620, 6620SH, 6622, 7720, 8820, 9400, 9410, 9450, 9500, 9500SH, 9510, 9510SH, 9550, 9560SH, 9600, 9610, 9650, 9650CTS, 9650STS, 9750STS, CTS, CTS II	Planetary Gear	CYL WPH168994
6620, 6620SH, 6622, 7720, 7722, 8820, 9400, 9410, 9450, 9500, 9500SH, 9501, 9510, 9510SH, 9550, 9550SH, 9600, 9610, 9650, 9650STS, 9750STS, CTS9650, CTS, CTS II	Planetary Pin	CYL WPR33079



### Raddle Chain Sprockets

APPLICATION	DESCRIPTION	PART NUMBER
55, 95, 105	New Raddle Chain Sprocket	CYL WPPK1211H



### Raddle Chains

Our raddle chains are made of CA-550 chain and square steel tubing. Chains for Hillside applications have special lugs attached to the steel slats to prevent grain sliding to the downhill side.

APPLICATION	DESCRIPTION	PART NUMBER
55	New Raddle Chain	CYL WPAH62656
55	New Raddle Chain, Hillside, Replaces OE P/N AH62657	CYL WPAH62657
95	New Raddle Chain	CYL WPAH62658
95	New Raddle Chain, Hillside, Replaces OE P/N AH62659	CYL WPAH62659
105	New Raddle Chain	CYL WPAH62660
105	New Raddle Chain, Hillside, Replaces OE P/N AH62661	CYL WPAH62661



## FITS JOHN DEERE

### Cylinder Bars and Kits

All bars are carefully checked and sets are matched for equal weight distribution on the cylinder prior to shipment. Grade 8 Fasteners are supplied for most models.

APPLICATION	DESCRIPTION	PART NUMBER
105	New Cylinder Bar Kit	CYL WPAH65107
3300	New Cylinder Bar Kit	CYL WPAH75123
4400, 4420	New Cylinder Bar Kit	CYL WPAH75125
6600, 6620 - Titans	New Cylinder Bar Kit	CYL WPOJD-6600 (Standard) CYL WPAH75014 (Hardened) CYL WPAH132978 (Chrome)
7700, 7720 - Titans	New Cylinder Bar Kit	CYL WPOJD-7700 (Standard) CYL WPOJD-7700H (Hardened) CYL WPAH132978 (Chrome)
8820 - Titans	New Cylinder Bar Kit	CYL WPOJD-8820 (Standard) CYL WPOJD-8820H (Hardened) CYL WPAH132980 (Chrome)
9400, 9500, 9450, 9550, 9410, 9510, CTS, CTS II, 9650CTS	New Cylinder Bar Kit 2 Rows of holes	CYL WPOJD-9400 (Standard) CYL WPAH161407 (Hardened) CYL WPAH134144 (Chrome)
9400, 9410, 9450, 9500, 9510, 9550, 9650, CTS, CTS II, 9650CTS, 9660CTS	New Cylinder Bar Kit 1 Row of holes	CYL WPOJD-9400-1H (Hardened) CYL WPOJD-9400-1C (Chrome)
9600, 9610, 9650, 9660	New Cylinder Bar Kit 2 Rows of holes	CYL WPAH161395 (Hardened) CYL WPAH134142 (Chrome)
9600, 9610, 9650, 9660	New Cylinder Bar Kit 1 Row of holes	CYL WPOJD-9600-1H (Hardened) CYL WPOJD-9600-1C (Chrome)
9650STS, 9660STS, 9750STS, 9860STS, 9880STS	Threshing Element Set of 3	CYL WPAH216677
9650STS*, 9660STS, 9750STS, 9860STS, 9880STS	New Cylinder Bar Kit, Set of 3 8 Sets Req'd for Grain/Corn, 9 Sets Req'd for Rice *6 Sets Req'd for 9650STS	CYL WPAH208554

### Sunnybrook Cylinder Bars and Kits

APPLICATION	DESCRIPTION	PART NUMBER
6600, 6601, 6602, 6620, 6622 (OEM Cylinders)	Set, Black Left Bar 2/set, Black Right Bar 2/set, Black Set, Boron	SHI SBJ0310 SHI SBJ0312 SHI SBJ0314 SHI SBJ0226
7700, 7701, 7720, 7721, 7722 (OEM Cylinders)	Set, Black Left Bar 2/set, Black Right Bar 2/set, Black Set, Boron	SHI SBJ0240 SHI SBJ0242 SHI SBJ0244 SHI SBJ0176
8820 (OEM Cylinders)	Set, Black Left Bar 2/set, Black Right Bar 2/set, Black Set, Boron	SHI SBJ0160 SHI SBJ0162 SHI SBJ0164 SHI SBJ0116
9400, 9500, 9501, 9510, 9550, 9560, CTS (OEM Cylinders)	Set, Black Left & Right Bar 2/set, Black Set, Boron	SHI SBJ0070 SHI SBJ0072 SHI SBJ0056
9600, 9610, 9650, 9660 (OEM Cylinders)	Set, Black Left & Right Bar 2/set, Black Set, Boron	SHI SBJ0030 SHI SBJ0032 SHI SBJ0026



## FITS JOHN DEERE

### Concaves and Components

All concaves are LINE BORED for uniform height of bars at cylinder contact points and have added strength at stress points. These concaves are made of heavy duty high carbon steel cross bars and high carbon steel 1/4" wires. Narrow spaced rotary concaves feature low wire for more aggressive separation. Holes are drilled to provide a tight wire fit, which prevents spearing and trapping of straw. Corn concaves feature wider spacing and high wires to prevent plugging between bars.



APPLICATION	DESCRIPTION	PART NUMBER
3300 (Eff S/N 4500)	New Concave, 13 cross bars, Replaces: AG84669	CYL WPAG84669
3300 (Prior S/N 4500)	New Concave, 15 Cross Bars, Replaces: AH85395	CYL WPAH85395
4400 (Eff S/N 9501), 4420*	New Concave, 13 cross bars, Replaces: AH85396 *Retainer required when switching 14 to 13 bar	CYL WPAH85396-13
4400 (Prior S/N 9501)	New Concave, 15 Cross Bars, Replaces: AH84690/AH75085	CYL WPCJD-4400-0
4420	New Concave, 14 Cross Bars, Replaces: AH85396	CYL WPAH85396-14
6600 (Eff S/N 11501), 6620*, 6620 Titan II*	New Concave, 13 cross bars, Replaces: AH108864 *Retainer required when switching 14 to 13 bar	CYL WPAH108864
6600 (Prior S/N 11500)	New Concave, 15 Cross Bars, Replaces: AH75067/AH84677	CYL WPAH75067
6620, 6620 Titan II	New Concave, 14 Cross Bars, Replaces: AH113442	CYL WPAH113442
7700 (Eff S/N 8001), 7720*, 7720 Titan II*	New Concave, Retainer, 13 cross bars, Replaces: AH105066, *CYL WPH116275". Retainer required when switching 14 to 13 bar concave.	CYL WPAH105066
7700 (Prior S/N 8000)	New Concave, 15 Cross Bars, Replaces: AH78867	CYL WPAH78867
7720, 7720 Titan II	New Concave, 14 Cross Bars, Replaces: AH113443	CYL WPCJD-7720
8820, 8820 Titan II	New Concave, 14 Cross Bars, Replaces: AH108866	CYL WPCJD-8820
8820, 8820 Titan II	New Concave, Retainer, 13 cross bars Replaces: AH113444, *CYL WP116276 Retainer required when switching 14 to 13 bar concave.	CYL WPAH113444 CYL WPH116276
9400, 9410, 9500, 9510, CTS, CTS II	New Concave, 14 Cross Bars Wires in full, Modified smaller 26.025" dia.	CYL WPCJD-9400
9400, 9410, 9500, 9510, CTS, CTS II	New Concave, 14 Cross Bars OEM Style - Corn - full wrap on entire concave Replaces: AH133289/AH137534	CYL WPCJD-9400-4
9400, 9410, 9500, 9510, CTS, CTS II	New Concave, 14 Cross Bars, OEM Style - wires of first half, Replaces: AH136605	CYL WPAH136605
9400, 9410, 9450, 9500, 9510, 9550, 9650, CTS, CTS II, 9650CTS, 9660CTS	New Concave, 13 Cross Bars OEM Style - Corn - full wrap wires on entire concave	CYL WPAH155494
9400, 9410, 9450, 9500, 9510, 9550, 9650, CTS, CTS II, 9650CTS, 9660CTS	New Concave, 13 Cross Bars OEM Style - wires on first half of concave Replaces: AH150497	CYL WPCJD-9410-3
9600, 9610	New Concave, 14 Cross Bars Wires in full, Modified smaller 26.025" dia.	CYL WPCJD-9600

## FITS JOHN DEERE

### Concaves and Components (Continued)

APPLICATION	DESCRIPTION	PART NUMBER
9600, 9610	New Concave, 14 Cross Bars OEM Style - Corn - full wrap wires on entire concave Replaces: AH133288/AH137533	CYL WPCJD-9600-4
9600, 9610	New Concave, 14 Cross Bars, OEM Style - wires on first half, Replaces: AH136604	CYL WPAH136604
9600, 9610, 9650, 9660	New Concave, 13 Cross Bars OEM Style - Corn - full wrap wires on entire concave Replaces: AH155493	CYL WPCJD-9610-4
9600, 9610, 9650, 9660	New Concave, 13 Cross Bars OEM Styles - Corn - wires on first half Replaces: AH150496	CYL WPCJD-9610-3
9600, 9610, 9650, 9660	New Concave Front Angle	CYL WPAH151118
9650STS, 9750STS	New Concave New Concave New Concave - Helical New Concave, Narrow Space Replaces: AH205254/AH205255	CYL WPCJD-STC CYL WPCJD-STC-F (Front) CYL WPCJDH-STC-F (Front) CYL WPCJD-STC-MR (Rear)
9650STS, 9750STS	New Concave, Wide Space, Replaces: AH205259/AH205260	CYL WPCJD-STC-0 (Set)
9650STS, 9660STS, 9750STS, 9760STS, 9860STS	New Concave Cover Plate, For Narrow & Wide Space 3 Req'd per Concave	CYL WPFJD-STC
9650STS, 9750STS	New Rotary Concave, Round Bar	CYL WPCJD-STC-RB
9650STS, 9750STS, 9660STS, 9760STS, 9860STS	New Rotary Concave, Latch Kit, Set of 3 Note When Installing into a 50 Series, the CYL WPCJD-STC-LK Latch Kit is required.	CYL WPCJD-STC-9660 (Narrow) CYL WPCJD-STC-9660-0 (Wide) CYL WPCJD-STC-9660-RB (Round Bar) CYL WPCJD-STC-LK
9650STS, 9750STS, 9660STS, 9760STS, 9860STS	New Concave - Helical, Narrow Space Note When Installing into a 50 Series, the CYL WPCJD-STC-LK Latch Kit is required.	CYL WPCJDH-STC-9660-F (Front) CYL WPCJD-STC-LK
9650STS, 9750STS, 9660STS, 9760STS, 9860STS	New Rotary Concave Cover Plate, For Helical Concave	CYL WPFJDH-STC
9650STS, 9750STS, 9660STS, 9760STS, 9860STS	New Rotary Concave Cover Plate, For Helical Concave	CYL WPFJDH-STC-2

### Sunnybrook Concaves and Components

APPLICATION	DESCRIPTION	PART NUMBER
6600, 6601, 6602, 6620, 6622	Modified 1" Black (True to Cylinder) Modified 2" Black (True to Cylinder)	SHI SBJ0260 SHI SBJ0250
7700, 7701, 7720, 7721, 7722	Modified 1" Black (True to Cylinder) Modified 2" Black (True to Cylinder)	SHI SBJ0190 SHI SBJ0180
8820	Modified 2" Black (True to Cylinder)	SHI SBJ0110
9400, 9500, 9501, 9510, 9550, 9560, CTS	1" Chrome Heavy Duty (True to Cylinder) - Not Recommended for CTS	SHI SBJ0045
9600, 9610, 9650, 9660	1" Black Front Removable Wire/RWE 1" Chrome Heavy Duty (True to Cylinder)	SHI SBJ0020RWE SHI SBJ0015

## FITS JOHN DEERE

### Harvest Concave for Conventional Combines

**How Harvest Concaves for conventional & rotary combines differ from original factory concaves.**

- Made from 1045 carbon steel
- Precision bored for a proper fit
- Heavier and stronger than OEM to maintain their shape
- More bar over the wire for improved threshing performance and longer life
- Wire diameters are larger so that they keep their shape and last longer
- Holes are drilled, not punched for a snug wire fit so that there is no wire-to-hole gap to trap straw

DESCRIPTION	WT	PART NO.
JD 66 SERIES - HIGH WIRE	211	CYL CO2040HW
JD 77 SERIES - HIGH WIRE	254	CYL CO2050HW
JD 8820 - HIGH WIRE	308	CYL CO2060HW
JD 9400/10/50, 9500/10/50 CTS-CTS II - HIGH WIRE	317	CYL CO2070HW
JD 9400/10/50, 9500/10/50 CTS - CTS II - HIGH WIRE    Coverplate for easy install or removal		CYL CP2070
JD 9600/10/50/60 CTS - CTS II - HIGH WIRE	368	CYL CO2080HW
JD 9600/10/50/60 CTS - CTS II - HIGH WIRE    Coverplate for easy install or removal		CYL CP2080

### Harvest Concave for Rotary Combines

#### ROD CONCAVES

- Specially designed for high moisture corn, popcorn and specialty crops
- 3/4" rod rather than wire
- Treats the corn gentler by not mashing the kernel and breathing up the cob

**ALSO AVAILABLE IN WIDE WIRE CONCAVES AND NARROW WIRE CONCAVES**

Narrow wire concaves recommended for small grains.

DESCRIPTION	WT	PART NO.
JD 9650/60/70, 9750/60 STS                      HARVEST CONCAVE ROD	96	CYL CO2700ROD
JD 9650/60/70, 9750/60 STS                      HARVEST CONCAVE WIDE	96	CYL CO2700WW
JD 9650/60/70, 9750/60 STS                      HARVEST CONCAVE NARROW	97	CYL CO2700NW
JD 9650/60/70, 9750/60 STS                      BOLT ON FRONT LIP	9	CYL FL2700
Set of three CO2700 & FL2700                      ROD	315	CYL JDSET1ROD
Set of three CO2700 & FL2700                      WIDE	315	CYL JDSET1WW
Set of three CO2700 & FL2700                      NARROW	318	CYL JDSET1NW
JD9650/60/70, 9750/60 STS                      COVERPLATE	12	CYL CP2700

**FITS JOHN DEERE**

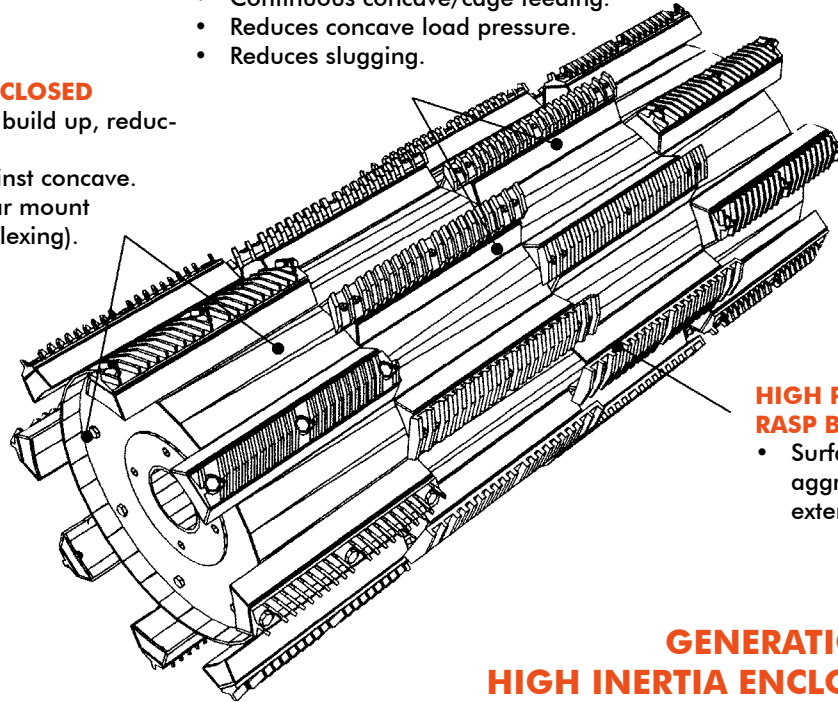
**High Inertia Cylinders**

**KNUCKLED DESIGN**

- Continuous concave/cage feeding.
- Reduces concave load pressure.
- Reduces slugging.

**HIGH INERTIA ENCLOSED**

- Eliminates trash build up, reducing vibration.
- Forces crop against concave.
- Rigid cylinder bar mount (eliminates bar flexing).



**HIGH PROFILE BORONIZED RASP BAR**

- Surface Engineered, aggressive design, extended service life.

**GENERATION I  
HIGH INERTIA ENCLOSED CYLINDER  
BY SUNNYBROOK**

APPLICATION	DESCRIPTION	PART NUMBER
6600, 6601, 6602, 6620, 6622	Generation I w/Black Bars Generation I w/Chrome Bars	SHI SBJ0460 SHI SBJ0455

**Miscellaneous**

DESCRIPTION	PART NUMBER
Filler Plates (Conventional Concaves, Advise Model Number)	SHI SBFP0010
Shim/Cylinder Bar (All Makes), 100/Pkg	SHI SBSH0020

**Primary Countershafts**

APPLICATION	DESCRIPTION	PART NUMBER
3300	New Primary Countershaft	CYL WPH77382
4400	New Primary Countershaft	CYL WPH114617
6600	New Primary Countershaft	CYL WPH89308
7700	New Primary Countershaft	CYL WPH89309
6620	New Primary Countershaft	CYL WPH93647
7720	New Primary Countershaft	CYL WPH99253Z
8820	New Primary Countershaft	CYL WPH99739
9600, 9610	New Primary Countershaft	CYL WPAH122240



## FITS JOHN DEERE

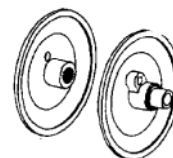
### Secondary Countershafts

APPLICATION	DESCRIPTION	PART NUMBER
4400, 4420	New Secondary Countershaft, 57.125" Lng	CYL WPH77265
6600	New Secondary Countershaft, 63.187" Lng	CYL WPH76277
7700	New Secondary Countershaft, 74.062" Lng	CYL WPH76278
6620	New Secondary Countershaft, 63.75" Lng - Splined	CYL WPH94126
7720	New Secondary Countershaft, 74.625" Lng - Splined	CYL WPH94127
8820	New Secondary Countershaft, 85.437" Lng - Splined	CYL WPH93475



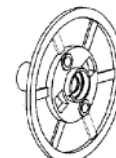
### Secondary Countershaft Sheaves

APPLICATION	DESCRIPTION	PART NUMBER
4400, 4420, 6620**, 7720, 8820	New Outer Sheave Note: When replacing both inner and outer sheaves.	CYL WPH100794
6620*, 7720, 8820	Inner Sheave Note: When replacing both inner and outer sheaves.	CYL WPH93503



### Cylinder Drive Variable Speed Sheave

APPLICATION	DESCRIPTION	PART NUMBER
6600, 7700,	Remanufactured Variable Speed Sheave Cast No. H84416	CYL WPAH84886-R
6600, 7700,	New Variable Speed Sheave Cast No. H84416Incl. (2) R27899 Bushings Replaces oe p/n H84416, AH84884	CYL WPAH84886-N



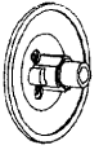
### Cleaning Fan Shafts

APPLICATION	DESCRIPTION	PART NUMBER
6600, 6620, On 6600 (Prior S/N 310500 shaft can be installed but must also replace fan sheaves w/ OE P/N H97600 & AH100009	New Fan Shaft, 54.75" Ing	CYL WPH108571
7700 (Prior S/N 316000) - use w/ old style (pinned type) var. speed sheaves	New Fan Shaft, 65.375" Long	CYL WPH75597
7700, 7720, On 7700 (Prior S/N 316000 shaft can be installed but must also replace fan sheaves w/ OE P/N H97600 & AH100009	New Shaft, 65.625" Ing	CYL WPH108572
8820	New Fan Shaft, 77" Ing	CYL WPH108612

## FITS JOHN DEERE

### Fan Shaft Sheaves

APPLICATION	DESCRIPTION	PART NUMBER
6600 (Eff. S/N 301501), 6620, 7700 Eff. S/N 316001, 7720, 8820	New Inner Sheave	CYL WPAH100009
6600 (Eff. S/N 301501), 6620, 7700 (Eff. S/N 316001), 7720, 8820	New Outer Sheave	CYL WPH97600



### Elevator Chains

Our elevator chains have rubber paddles. Paddles are fastened to the chain with 5/16" plated bolts and locknuts. Chains feature full side plates for added strength. To extend the life of your chain assemblies, always replace the sprockets when installing a new chain.

APPLICATION	DESCRIPTION	PART NUMBER
3300, 4400, 4420	New Clean Grain Elevator Chain 100 links - 4 3/4" x 2 1/2" paddles every 4th link	CYL WPAH87745 (Rubber)
4400, 4420, 6600, 6620, 7700, 7720, 8820	New Clean Grain Elevator Chain 108 links - 6" x 3" paddles every 4th link	CYL WPAH87747 (Rubber)
6600, 6620, 7700, 7720, 8820 (Prior S/N 464350)	New Clean Grain Elevator Chain 128 links - 6" x 3" paddles every 4th link	CYL WPX29002 (Rubber)
8820 (Eff S/N 464350)	New Clean Grain Elevator Chain 108 links - 7 3/8" x 3" paddles every 4th link	CYL WPAH134818 (Rubber)
9400, 9500	New Clean Grain Elevator Chain 144 links - 6" x 4 3/8" paddles every 4th link	CYL WPAH162441 (Rubber)
9600	New Clean Grain Elevator Chain 144 links - 7 3/4" x 4 1/4" paddles every 4th link	CYL WPAH162442 (Rubber)
9450, 9550, 9650, 9650STS, 9660STS, 9750STS, 9760STS, 9860STS	New Clean Grain Elevator Chain 144 links - 8 3/4" x 4 7/8" paddles every 4th link	CYL WPAH162059 (Rubber)
3300, 4400, 4420, 6600, 6620, 7700, 7720	New Return Grain Elevator Chain 144 links - 4 3/4" x 2 5/8" paddles every 6th link	CYL WPAH96388 (Rubber)
6620 (Eff S/N 610300), 7720 (Eff S/N 610501), 8820	New Return Grain Elevator Chain 144 links - 6" x 3" paddles every 6th link	CYL WPAH98032 (Rubber)
9400, 9500, 9600, 9610, CTS	New Return Grain Elevator Chain 151 links - 6" x 3" paddles every 4th link	CYL WPAH131074 (Rubber)
9650STS, 9660STS, 9750STS, 9760STS, 9860STS	New Return Grain Elevator Chain 155 links - 5 7/8" x 3" paddles every 6th link	CYL WPAH148021 (Rubber)

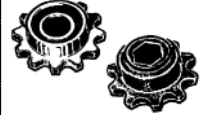


# FITS JOHN DEERE

## Elevator Chain Sprockets

To extend the life of your chain assemblies, always replace the sprockets when installing a new chain.

APPLICATION	DESCRIPTION	PART NUMBER
3300, 4400, 4420	New Clean Grain Elevator Chain Sprocket, Upper 7 Teeth, 1" Shaft	CYL WPH63577
6600 (Eff S/N 3701), 6620, 7700 (Eff S/N 2801) 7720, 8820 (Eff S/N 464350)	New Clean Grain Elevator Chain Sprocket, Upper 8 Teeth 1" Shaft - Forged Carbon Steel, Induction Hardened Teeth	CYL WPH108576 CYL WPH108576H (Hardened)
8820 (Eff S/N 464351)	New Clean Grain Elevator Chain Sprocket, Upper 8 Teeth, 1.250" Shaft - Forged Carbon Steel, Induction Hardened Teeth	CYL WPH91334 CYL WPH91334H (Hardened)
9400, 9500, 9600, 9410, 9510, 9610, CTS	New Clean Grain Elevator Chain Sprocket, Upper 8 Teeth, 30mm - Forged Carbon Steel, Induction Hardened Teeth	CYL WPH128576 CYL WPH128576H (Hardened)
9450, 9550, 9650, 9650STS, 9750STS	New Clean Grain Elevator Chain Sprocket, Upper 8 Teeth, 30mm - Forged Carbon Steel Induction Hardened Teeth	CYL WPH164796 CYL WPH164796H (Hardened)
3300, 4400, 4420	New Clean Grain Elevator Chain Sprocket, Lower 7 Teeth, 1" Shaft - Forged Carbon Steel, Induction Hardened Teeth	CYL WPH63578 CYL WPH63578H (Hardened)
6600 (Eff S/N 3701), 6620, 7700 (Eff S/N 2801) 7720, 8820	New Clean Grain Elevator Chain Sprocket, Lower 8 Teeth, 1.250" Shaft - Forged Carbon Steel, Induction Hardened Teeth	CYL WPH91334 CYL WPH91334H (Hardened)
9400, 9500, 9600, 9410, 9510, 9610, 9450, 9550, 9650, CTS	New Clean Grain Elevator Chain Sprocket, Lower 8 Teeth, 35mm - Forged Carbon Steel, Induction Hardened Teeth	CYL WPH133143 CYL WPH133143H (Hardened)
3300, 4400, 4420, 6600 Eff S/N 3701, 6620 Eff S/N 610300, 7700 Eff S/N 2801, 7720 Eff S/N 610500	New Return Grain Elevator Chain Sprocket, Upper 7 Teeth, 1" Shaft - Forged Carbon Steel, Induction Hardened Teeth	CYL WPH63578
6620 Eff. S/N 610301, 7720 Eff. S/N 610501, 8820	New Return Grain Elevator Chain Sprocket, Upper 8 Teeth 1" Shaft - Forged Carbon Steel, Induction Hardened Teeth	CYL WPH108576 CYL WPH108576H (Hardened)
9400, 9410, 9450, 9500, 9510, 9550, 9560, 9600, 9610, 9650, 9660, CTS, CTS II, 9660CTS	New Return Grain Elevator Chain Sprocket, Upper 8 Teeth, 1" Hex - Forged Carbon Steel, Induction Hardened Teeth	CYL WPH134603 CYL WPH134603H (Hardened)
9650STS, 9750STS	New Return Grain Elevator Chain Sprocket, Upper 8 Teeth, 30mm - Forged Carbon Steel, Induction Hardened Teeth	CYL WPH128576 CYL WPH128576H (Hardened)
3300, 4400, 4420, 6600 (Eff S/N 3701), 6620, 7700 (Eff S/N 2801), 7720	New Return Grain Elevator Chain Sprocket, Lower 7 Teeth, 1" Shaft - Forged Carbon Steel, Induction Hardened Teeth	CYL WPH63578 CYL WPH63578H (Hardened)
8820	New Return Grain Elevator Chain Sprocket, Lower 8 Teeth 1" Shaft - Forged Carbon Steel, Induction Hardened Teeth	CYL WPH108576 CYL WPH108576H (Hardened)
6620, 7720	New Return Grain Elevator Chain Sprocket, Lower 7 Teeth, 1.250" Shaft - Forged Carbon Steel, Induction Hardened Teeth	CYL WPH99472 CYL WPH99472H (Hardened)
9400, 9500, 9600, 9410, 9510, 9610, 9450, 9550, 9650, CTS	New Return Grain Elevator Chain Sprocket, Lower 8 Teeth, 1" Hex - Forged Carbon Steel, Induction Hardened Teeth	CYL WPH134603 CYL WPH134603H (Hardened)
9650STS, 9660STS, 9750STS, 9860STS	New Return Grain Elevator Chain Sprocket, Lower 8 Teeth, 35mm - Forged Carbon Steel, Induction Hardened Teeth	CYL WPH133143 CYL WPH133143H (Hardened)

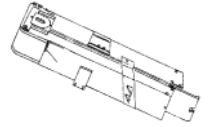




**FITS JOHN DEERE**

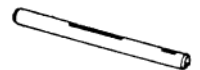
**Elevator Housings**

APPLICATION	DESCRIPTION	PART NUMBER
6600, 6620 (Early), 7700, 7720 (Early)	New Clean Grain	CYL WPAH96610
Update Kit for 6600, & 7700, 6620 (Eff S/N 464350), 7720 (Eff S/N 556301) 8820 (Prior S/N 464350)	New Clean Grain, For early update, must also purchase 2 bearing plates, AH125904.	CYL WPAH112164
8820	New Clean Grain	CYL WPAH105850
9400, 9500, 9410, 9510, SH9510, CTS, CTS II	New Clean Grain Upper, Non-Stainless Replaces: AH134705, AH134706, AH141832, AH142185, AH142188	CYL WPAH153743
9400, 9500, 9410, 9510, SH9510 CTS, CTS II	New Clean Grain Upper, Stainless Steel Replaces: AH134705, AH134706, AH142185, AH142188, AH142185, AH142188	CYL WPAH153744
9400, 9500, SH9500, 9410, 9510, SH9510, CTS, CTS II	New Clean Grain Lower, Non-Stainless Replaces: AH125601, AH135666, AH142197, AH142200, AH149200, AH156808	CYL WPAH156594
9400, 9500, SH9500, 9410, 9510, SH9510, CTS, CTS II	New Clean Grain Lower, Stainless Steel Replaces: AH129363, AH142203, AH156809	CYL WPAH156595
9600, 9610	New Clean Grain Upper, Non-Stainless Replaces: AH14707, AH141824, AH142180	CYL WPAH153741
9600, 9610	New Clean Grain Upper, Stainless Steel Replaces: AH134704, AH141841, AH142183, AH153742	CYL WPAH153742
9600, 9610	New Clean Grain Lower, Non-Stainless; Replaces: AH125602, AH135677, AH141827, AH141829, AH142190, AH142193, AH149202, AH156810	CYL WPAH156596
9600, 9610	New Clean Grain Lower, Stainless Steel; Replaces: AH129364, AH135699, AH141839, AH142194, AH142196, AH149203, AH156811	CYL WPAH156597
6600, 6620, 7700, 7720	New Return Grain	CYL WPAH96371
6620 Titan II, 7720 Titan II, 8820 Titan II	New Return Grain	CYL WPAH112077
9400, 9410, 9450, 9500, 9510, 9550, 9560, 9600, 9610, 9650, 9660, 9650 CTS, 9660 CTS, CTS II	New Return Grain, New Door	CYL WPAH169233



**Elevator Head Shafts**

APPLICATION	DESCRIPTION	PART NUMBER
6600, 6620, 7700, 7720, 8820 (Prior S/N 464350)	Clean Grain Elevator Head Shaft Replaces: H77030, 13.130" Long	CYL WPH82948
8820 (Eff S/N 464351)	Clean Grain Elevator Head Shaft 13.440" Long	CYL WPH106314
9400, 9500, 9501, 9410, 9510, CTS, CTS II	Clean Grain Elevator Head Shaft 12.750" Long	CYL WPH135713
9600	Clean Grain Elevator Head Shaft	CYL WPH135714

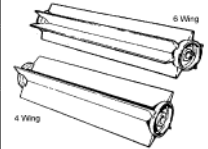


## FITS JOHN DEERE

### Beaters

Balance 4 and 6 deep fin backbeaters, increase stripping action and help prevent backfeeding over the top of the cylinder. Both styles of beaters are welded assemblies and are made of heavy duty abrasive resistant steel.

APPLICATION	DESCRIPTION	PART NUMBER
6600	New Beater, 1 1/4" Shaft	CYL WPAH108553 (4 Wing) CYL WPAH146173 (6 Wing)
7700	New Beater, 1 1/4" Shaft	CYL WPAH108550 (4 Wing) CYL WPAH146174 (6 Wing)
6600	New Beater, 1 1/2" Shaft	CYL WPAH108529 (4 Wing) CYL WPAH146171 (6 Wing)
7720	New Beater, 1 1/2" Shaft	CYL WPAH108530 (4 Wing) CYL WPAH146170 (6 Wing)
8820	New Beater, 1 1/2" Shaft	CYL WPAH108531 (4 Wing) CYL WPAH146149 (6 Wing)
9400, 9500	New Beater, 1 1/2" Shaft	CYL WPLBJD9400-8 (8 Wing)
9600	New Beater, 1 1/2" Shaft	CYL WPLBJD9600-8 (8 Wing)
9650STS, 9660STS, 9750STS,	New Rear Beater Fin	CYL WPH209762



### Sunnybrook Beaters

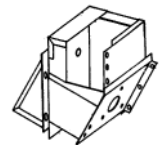
APPLICATION	DESCRIPTION	PART NUMBER
6600, 6601, 6602, 6620, 6622	Back Beater, 6600, Deep 4-Blade Back Beater, 6620, Deep 4-Blade	SHI SBJ0300 SHI SBJ0290
7700, 7701, 7720, 7721, 7722	Back Beater, 7700, Deep 4-Blade	SHI SBJ0220

### Harvest Beaters

DESCRIPTION	WT	PART NUMBER
JD 7720, 7721 FITS 1 1/2" SHAFT	106	CYL BE3020

### Clean Grain Upper Housing

APPLICATION	DESCRIPTION	PART NUMBER
6620, 7700 (Eff S/N 163901)	New Spout	CYL WPAH88989
7720, 8820 (Prior S/N 464350)	New Spout	CYL WPAH97856



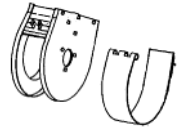
### Loading Auger Spout

APPLICATION	DESCRIPTION	PART NUMBER
8820 (Eff S/N 464351)	Spout, Upper	CYL WPAH105498

## FITS JOHN DEERE

### Clean Grain Elevator Boot and Door

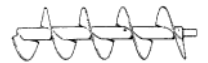
APPLICATION	DESCRIPTION	PART NUMBER
6600, 7700	New Boot w/ door	CYL WPAH83511
6620, 7720, 8820 (Prior S/N 464350)	New Boot w/ door	CYL WPAH93242
6620, 7720, 8820 (Prior S/N 464350)	New Door	CYL WPAH77062
8820 (Eff S/N 464351)	New Boot w/ door	CYL WPAH105854
8820 (Eff S/N 464351)	New Door	CYL WPAH105855
9500	New Boot 3 bolt mounting w/ door, Non-Stainless	CYL WPAH136484
9500, 9510	New Boot w/ door, 4 bolt mounting	CYL WPAH149182
9600	New Boot 3 bolt mounting w/ door	CYL WPAH136487
9600, 9610	New Boot 4 bolt mounting w/ door, Non-Stainless	CYL WPAH149181



### Augers - Lower Clean Grain

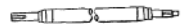
Our augers are made with continuous roll formed flighting for accuracy. Available in standard or hard surfaced outer edge on the lead end for longer wear.

APPLICATION	DESCRIPTION	PART NUMBER
6600	New Lower Clean Grain Auger, Bearing - 2 Req'd, 72.500" Long	CYL WPAH91468 BED SA205-16
7700	New Lower Clean Grain Auger, Bearing - 2 Req'd, 83.0" Long	CYL WPAH91469 BED SA205-16
6620	New Lower Clean Grain Auger, Bearing - 2 Req'd 72.750" Long	CYL WPAH91283 BED SA207-20
7720	New Lower Clean Grain Auger, Bearing - 2 Req'd 83.5" Long, Replaces OE P/N AH91284	CYL WPAH107442 BED SA207-20
8820 Prior s/n 464351	New Lower Clean Grain Auger, Bearing - 2 Req'd 94.5" Long, Replaces OE P/N AH91285	CYL WPAH107400 BED SA207-20
8820 Eff. s/n 464351	New Lower Clean Grain Auger, Bearing - 2 Req'd 97.5" Long, For Wide Elevator	CYL WPAH105856 BED SA207-20
9400, 9500, 9410, 9510, CTS, CTSII	New Lower Clean Grain Auger, Bearing	CYL WPAH141577 BED 1736206-30MM
9600	New Lower Clean Grain Auger, Bearing 7.5" Flighting, 92.25" Long	CYL WPAH128733 BED 1736206-30MM
9600, 9610	New Lower Clean Grain Auger, Bearing 9" Flighting, 92.25" Long	CYL WPAH141576 BED 1736206-30MM



### Unloading Auger Countershafts

APPLICATION	DESCRIPTION	PART NUMBER
4400	New Unloading Auger Countershaft	CYL WPAH86633
6600	New Unloading Auger Countershaft, 75.599" Long Can replace oe p/n AH75330 (on earlier s/n) if you buy key p/n 11H237 and nut p/n 14H874.	CYL WPAH86634
7700	New Unloading Auger Countershaft, 85.412" Long Can replace oe p/n AH75331 (on earlier s/n) if you buy key p/n 11H237 and nut p/n 14H874.	CYL WPAH86635
6620	New Auger Countershaft, 76" Long, Replaces AH96561	CYL WPAH130467
7720	New Auger Countershaft, 86.880" Long, Replaces AH96560	CYL WPAH130468



## FITS JOHN DEERE

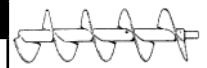
### Augers - Lower Tailing Return

APPLICATION	DESCRIPTION	PART NUMBER
4400, 4420	New Lower Return Auger, Bearing - 2 Req'd 66.5" Long	CYL WPAH76130 BED SA205-16
6600	New Lower Return Auger, Bearing - 2 Req'd 72.25" Lng	CYL WPAH75836 BED SA205-16
6620 (Prior S/N 610,301)	New Lower Return Auger, Bearing - 2 Req'd 72.75" Lng	CYL WPAH93662 BED SA205-16
6620 (Eff S/N 610,301), 6620 Titan II	New Lower Return Auger, Bearing - 2 Req'd 75.5" Lng	CYL WPAH122335 BED SA207-20
7700	New Lower Return Auger, Bearing - 2 Req'd 83" Lng	CYL WPAH76092 BED SA205-16
7720 (Prior S/N 610501)	New Lower Return Auger, Bearing Bearing 83.50" Lng, 1" Bearing end	CYL WPAH93663 BED G1100KRRB BED SA207-20
7720 (Eff S/N 610501), 7720 Titan II	New Lower Return Auger, Bearing 86" Lng, 1 1/4" Bearing end	CYL WPAH122336 BED SA207-20
8820 (Prior S/N 610701)	New Lower Return Auger, Bearing - 2 Req'd 97" Lng	CYL WPAH96279 BED SA207-20
9400, 9500, 9410, 9510, CTS	New Lower Return Auger, Bearing - 2 Req'd 95" Lng - 1 3/8" Shaft	CYL WPAH146322 BED 1736206-30MM
9600, 9610	New Lower Return Auger, Bearing - 2 Req'd 106" Lng - 1 3/8" Shaft	CYL WPAH146313 BED 1736206-30MM

### Augers - Top Tailing Return

Our augers are made with continuous roll formed flighting for accuracy. Available in standard or hard surfaced outer edge on the lead end for longer wear.

APPLICATION	DESCRIPTION	PART NUMBER
9600, 9610, 9650, 9660	New Top Return Auger, 57.750" Long	CYL WPAH125894



## FITS JOHN DEERE

### Augers - Grain Bin Loading

APPLICATION	DESCRIPTION	PART NUMBER
6600 Eff. s/n 156501	New Grain Bin Loading Auger, Bearing 66.125" Long	CYL WPAH90624 BED G1100KRRB
6620, 7700 Eff. S/N 163901	New Grain Bin Loading Auger, Bearing 72.0" Long, Double Flighting	CYL WPAH127728 (Sgl Flight) CYL WPAH127728-D (Dbl Flight) BED G1100KRRB
7720	New Grain Bin Loading Auger, Bearing 75.0" Long w/Double Flight	CYL WPAH127730 CYL WPAH127730H (Hardened) BED G1100KRRB
9400, 9500	New Grain Bin Loading Auger, Bearing 7 1/4" OD	CYL WPAH136091 BED SA206-19G
9400 (Eff S/N 640101), 9410, 9500 (Eff S/N 641201), 9510, 9550, CTS, CTS II	New Grain Bin Loading Auger, 8 1/5" OD Bearing New Grain Bin Loading Auger - Extended	CYL WPAH136635 (50.50") CYL WPAH136635E (62.50") BED SA206-19G
9600 (Prior S/N 640301)	New Grain Bin Loading Auger, Bearing 8" OD	CYL WPAH136092 BED SA206-19G
9600 (Eff S/N 640301)	New Grain Bin Loading Auger, Bearing 9 1/4"	CYL WPAH136636 BED SA206-19G
9400, 9410, 9500, 9510, CTS, CTS II	2 pc Fold Down Grain Bin Loading Auger, Bearing 1 bearing used per auger	CYL WPAH146509 (Upper) CYL WPAH146214 (Lower) BED SA206-19G
9600, 9610	2 pc Fold Down Grain Bin Loading Auger, Bearing 1 bearing used per Auger	CYL WPAH146555 (Upper) CYL WPAH146215 (Lower) BED SA206-19G
9450, 9550, 9650, 9650CTS, 9660CTS, 9650STS, 9750STS	New Grain Bin Loading Auger, Bearing 55.00" Long	CYL WPAH154330 (Abr. Res.) CYL WPAH205897 (Hardened) BED SA206-19G

### Auger Tubes - Grain Bin Loading

APPLICATION	DESCRIPTION	PART NUMBER
4400, 4420, 6600	New Grain Bin Loading Auger Tube	CYL WPAH88983
6600(Prior S/N 156501 w/ u- joint auger drive)	New Grain Bin Loading Auger Tube	CYL WPAH75997
7700 (Prior S/N 163901 w/ u-joint auger drive)	New Grain Bin Loading Auger Tube Replaces: AH75997	CYL WPAH77064
6620, 7700	New Grain Bin Loading Auger Tube	CYL WPAH88982
7720, 8820	New Grain Bin Loading Auger Tube	CYL WPAH98300
9400 Eff. S/N 640101, 9500 Eff. S/N 640201, 9410, 9510, CTS, CTSII	New Grain Bin Loading Auger Tube* New Grain Bin Loading Auger Tube - Extended 12" New Grain Bin Loading Auger Tube - Stainless Steel* New Bin Loading Tube - Upper Auger Support *8 3/4" ID x 23 1/4" Long	CYL WPAH135444 CYL WPAH135444E CYL WPAH135445 CYL WPAH135439
9600 (Eff S/N 640301), 9610	New Grain Bin Loading Auger Tube* New Grain Bin Loading Auger Tube - Stainless Steel* New Bin Loading Tube - Upper Auger Support *10 1/4" ID x 28 1/4" Long Late one piece auger and two-piece folding auger	CYL WPAH135563 CYL WPAH135564 CYL WPAH135558

## FITS JOHN DEERE

### Augers - Distribution

Our augers are made with continuous roll formed fighting for accuracy. Available in standard or hard surfaced outer edge on the lead end for longer wear.

APPLICATION	DESCRIPTION	PART NUMBER
All models 6600 to 8820	New Distribution Auger, Bearing - 2 Req'd 152 1/4" Lng, Left Hand	CYL WPAH95944 BED G1100KRRB
All models 6600 to 8820	New Distribution Auger, Bearing - 2 Req'd 152 1/4" Lng, Right Hand	CYL WPAH95943 BED G1100KRRB
9400, 9500, 9600, 9410, 9510, 9610, CTS, CTS II	New Distribution Auger, Bearing 57 1/2" Lng, Left Hand	CYL WPAH130425 BED G1100KRRB
9400, 9500, 9600, 9410, 9510, 9610, CTS, CTS II	New Distribution Auger, Bearing 57 1/2" Lng, Right Hand, Replaces OE P/N AH130425	CYL WPAH130424 BED G1100KRRB



### Distribution Auger Wood Block Bearings

APPLICATION	DESCRIPTION	PART NUMBER
All Models 6600 to 8820	New Distribution Auger Wood Block Bearings	CYL WPH84838
9400, 9500, 9600, 9410, 9510, 9610, CTS, CTS II	New Distribution Auger Wood Block Bearings	CYL WPH142188



### Distribution Auger Pan

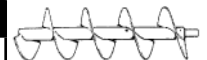
APPLICATION	DESCRIPTION	PART NUMBER
6620	New Auger Pan, Front, Replaces OE P/N AH96394, AH113232	CYL WPAH131234
7720	New Auger Pan, Front, Replaces OE P/N AH96395, AH113235	CYL WPAH131235
8820	New Auger Pan, Front, Replaces: AH113234	CYL WPAH131236
9400, 9410, 9500, 9450, 9510, 9550, 9560, 9660CTS, CTS, CTS II	New Distribution Pan	CYL WPAH146655
9600, 9610, 9650, 9660	New Distribution Pan	CYL WPAH146564



### Augers - Bottom Bin Cross

Our augers are made with continuous roll formed fighting for accuracy. Available in standard or hard surfaced outer edge on the lead end for longer wear.

APPLICATION	DESCRIPTION	PART NUMBER
6600	New Bottom Bin Cross Auger, Bearing Replaces: AH85409, AH75731	CYL WPLABB6600 BED SA206-20
7700	New Bottom Bin Cross Auger, Bearing Replaces: AH85410, AH76507	CYL WPLABB7700 BED SA206-20
6620	New Bottom Bin Cross Auger, Bearing - 2 Req'd Replaces OE P/N AH98211	CYL WPLABB6620 (Front) BED SA208-24
6620 Prior s/n 600000	New Bottom Bin Cross Auger, Bearing - 2 Req'd Replaces: AH103727, AH99634	CYL WPLABB6620R (Rear) BED SA208-24



**FITS JOHN DEERE**

**Augers - Bottom Bin Cross (Continued)**

APPLICATION	DESCRIPTION	PART NUMBER
7720	New Bottom Bin Cross Auger Bearing - 2 Req'd	CYL WPAH98212 (Front) BED SA208-24
7720 Prior s/n 600000	New Bottom Bin Cross Auger, Bearing - 2 Req'd Replaces: AH103728, AH99635	CYL WPLABB7720R (Rear) BED SA206-20
8820 8820 Prior S/N 600000	New Bottom Bin Cross Auger, Bearing - 2 Req'd Replaces: AH107393, AH96799	CYL WPLABB8820 (Front) BED SA208-24
8820 Prior s/n 600000	New Bottom Bin Cross Auger, Bearing - 2 Req'd Replaces: AH103729, AH99636	CYL WPLABB8820R (Rear) BED SA208-24
9400, 9410, 9450, 9500, 9510, 9550, CTS, CTS II	New Bottom Bin Cross Auger 112.298", Replaces: AH138398, AH138399, AH167848	CYL WPAH201744 (Front) CYL WPAH201743 (Rear)
9600, 9610, 9650	New Bottom Bin Cross Auger, Replaces: AH127975, AH138396, AH167849, AH127976, AH138397, AH167850	CYL WPAH202875 (Front) CYL WPAH202881 (Rear)

**Augers - Unloading**

Our augers are made with continuous roll formed flighting for accuracy. Available in standard or hard surfaced outer edge on the lead end for longer wear.

APPLICATION	DESCRIPTION	PART NUMBER
6620, 7720, 8820	New Vertical Unloading Auger 65.625" Long w/Double Flight Replaces OE P/N AH123929, AH114741, AH111390, AH96529	CYL WPAH123929
9400, 9500, 9600, 9410, 9510, 9610, CTS, CTS II	New Vertical Unloading Auger	CYL WPAH124852
9000	Series Vertical Unloading Auger Clean Out Spout	CYL WPAH167433
9650STS, 9660STS, 9750STS, 9760STS	New Vertical Unloading Auger, Double Flight Auger 30.250"	CYL WPAH146840



**Unloading Augers & Tubes**

APPLICATION	DESCRIPTION	PART NUMBER
3300, 4400	Horizontal Unloading Auger Tube, Horizontal Unloading Auger 137"	CYL WPTJD4433 CYL WPLAJU4400
4400	Horizontal Unloading Auger Tube, Horizontal Unloading Auger 160"	CYL WPTJD4400XL CYL WPLAJU4400XL
4420	Horizontal Unloading Auger Tube, Horizontal Unloading Auger 137"	CYL WPTJD4420 CYL WPLAJU4400
4420	Horizontal Unloading Auger Tube, Horizontal Unloading Auger 160"	CYL WPTJD4420XL CYL WPLAJU4400XL
6600, 7700	Horizontal Unloading Auger Tube, Horizontal Unloading Auger Bearing 144"	CYL WPAH99414 CYL WPAH99394 BED SA205-16
6620, 7720, 8820	Horizontal Unloading Auger Tube, Horizontal Unloading Auger Bearing 14', 1pc Setup	CYL WPAH145049 12' CYL WPAH143731 14' BED SA205-16
6620, 7720, 8820	Horizontal Unloading Auger Tube, Horizontal Unloading Auger Bearing 17', 1pc Setup	CYL WPAH145050 15' CYL WPAH143729 BED SA205-16



## FITS JOHN DEERE

### Unloading Augers & Tubes (continued)

APPLICATION	DESCRIPTION	PART NUMBER
9000 Series	Horizontal Unloading Auger Tube (Outer) Horizontal Unloading Auger (In Elbow) Horizontal Unloading Auger (Outer) Bearing, 17', 2pc Setup, 1 bearing per auger	CYL WPAH145049 (12') CYL WPAH112435 (5 1/2') CYL WPAH143727 (11') BED SA205-16
8820, 9000 Series	Horizontal Unloading Auger Tube (Outer) Horizontal Unloading Auger (In Elbow) Horizontal Unloading Auger (Outer) 20' 2pc Setup	CYL WPAH145050 (15') CYL WPAH112435 (5 1/2') CYL WPAH143731 (14')

### Auger Extension Kits, Unloading

Combines using oversized headers demand greater unloading auger length. Use the EXTENDER for safe, easy and fast unloading into grain cars, wagons, trucks and semi-trailers. Simple, do it yourself installation. No cutting Required. Comes complete with mounting hardware.



APPLICATION	DESCRIPTION	PART NUMBER
3300, 4400	New Auger Extension Kits, Unloading 13.5 Ft Auger & Tube Kit This consists of an auger and tube to completely replace the 11' OEM auger and tube. SOLD ONLY AS AN ASSEMBLY.	CYL WP4400XL
4420	New Auger Extension Kits, Unloading 13.5 Ft Auger & Tube Kit This consists of an auger and tube to completely replace the 11' OEM auger and tube. SOLD ONLY AS AN ASSEMBLY.	CYL WP4420XL
6600, 7700	New Auger Extension Kits, Unloading Replacement Tube, Replacement Auger 15 Ft Auger & Tube Kit This consists of an auger and tube to completely replace the 12' OEM auger and tube.	CYL WP7700XL CYL WP7700XL-T CYL WP7700XL-A
6620, 7720, 8820, 9400, 9500, 9600	New Auger Extension Kits, Unloading 3 Ft. Auger Ext. Kit	CYL WPJD3EXT

### Vertical Auger Drive Shaft

APPLICATION	DESCRIPTION	PART NUMBER
6620, 7720, 8820, 9400, 9410, 9450, 9500, 9510, 9550, 9560, 9600, 9610, 9650, 9650STS, 9660, 9660CTS, 9660STS, 9750STS, 9760STS, 9860STS, CTS, CTS II	New Vertical Auger Drive Shaft 9.260" Long 13 Splines	CYL WPH96169

### Auger Supply Shafts

APPLICATION	DESCRIPTION	PART NUMBER
6600, 6620	New Auger Supply Shaft	CYL WPH84498
7700, 7720	New Auger Supply Shaft	CYL WPH84499
8820	New Auger Supply Shaft, 73.750" Long	CYL WPH99635

**FITS JOHN DEERE**

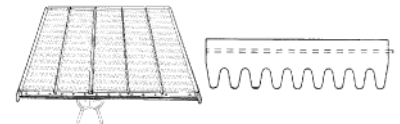
**Auger Tube Donuts**

APPLICATION	DESCRIPTION	PART NUMBER
6620, 7720, 8820, 9400, 9410, 9450, 9500, 9510, 9550, 9560, 9600, 9610, 9650, 9660, 9750STS, 9760STS, CTS, CTS II	New Donut, Auger Tube 4.275" O.D. Used at top of the vertical auger and at the drive end of the horizontal auger.	CYL WPH128861
6620, 7720, 8820	New Donut, Auger Tube 4.275" O.D. Used at the bottom end of the vertical auger.	CYL WPAH123930



**Short Finger Top Chaffers**

Adjustable Short Finger Chaffers - These adjustable Chaffers feature nylon adjustable mechanisms and cushions in each wire hole to improve adjustments and reduce friction, wear, and breakage. Individual replacement louvers make for easier repairs. Wire spacing is 1 1/8".

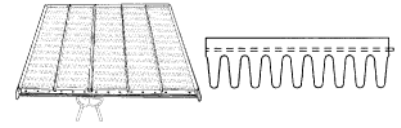


APPLICATION	DESCRIPTION	PART NUMBER
4400, 4420	New Short Finger Top Chaffer, 36.07" x 50.63"	CYL WPAH87874
6600, 6620	New Short Finger Top Chaffer, 42.01" x 60.76"	CYL WPAH99748
6620 Titan II	New Short Finger Top Chaffer, 42.01" x 66.88"	CYL WPAH130378
7700, 7720	New Short Finger Top Chaffer, 52.87" x 60.91"	CYL WPAH106770
7720 Titan II	New Short Finger Top Chaffer, 52.87" x 66.88"	CYL WPAH130281
8820	New Short Finger Top Chaffer, 63.73" x 61.65"	CYL WPAH96770
8820 Titan II	New Short Finger Top Chaffer, 63.73" x 67.62"	CYL WPAH130384
9400, 9500, 9510, 9450, 9550, CTS, CTS II	New Short Finger Top Chaffer, Set of 2 for chaffer, 25.67" x 35.71"	CYL WPAH132785
9400, 9500, 9510, 9450, 9550, CTS, CTS II	New Short Finger Top Chaffer, Extension - 1 Piece, 52.05" x 17.92"	CYL WPSFJDE-9400
9400, 9500, 9510, 9450, 9550, CTS, CTS II	New Short Finger Top Chaffer, Precleaner - Set of 2	CYL WPAH130151
9600, 9610, 9650, 9660	New Short Finger Top Chaffer, Set of 2 for chaffer, 31.10" x 35.71"	CYL WPAH132784
9600, 9610, 9650, 9660	New Short Finger Top Chaffer Extension, Extension - 1 Piece, 62.91" x 17.92"	CYL WPAH172952
9600, 9610, 9650, 9660	New Short Finger Top Chaffer Precleaner, Precleaner - Set of 2, 31.10" x 35.71"	CYL WPSFJDPC-9600
9650STS, 9660STS, 9750STS, 9760STS	New Short Finger Top Chaffer, 51.87" x 63.25"	CYL WPAH208291
9650STS, 9660STS, 9750STS, 9760STS	New Short Finger Top Chaffer Precleaner, Flat Adjustable, 51.50" x 34.00"	CYL WPAH201930
9650STS, 9660STS, 9750STS, 9760STS	New Short Finger Top Chaffer Precleaner, Humped Adjustable, 51.50" x 34.00"	CYL WPSFJDPC-9660

## FITS JOHN DEERE

### Long Finger Top Chaffers

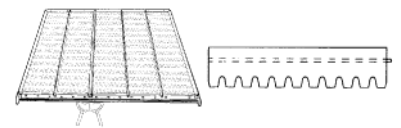
Adjustable Long Finger Chaffers - These adjustable Chaffers feature nylon adjustable mechanisms and cushions in each wire hole to improve adjustments and reduce friction, wear, and breakage. Individual replacement louvers make for easier repairs Wire spacing is 1 <sup>5</sup>/<sub>8</sub>".



APPLICATION	DESCRIPTION	PART NUMBER
4400,4420	New Long Finger Top Chaffer, 36.07" x 50.63"	CYL WPAH87876
6600, 6620	New Long Finger Top Chaffer, 42.01" x 60.76"	CYL WPAH99750
6620 Titan II	New Long Finger Top Chaffer, 42.01" x 66.88"	CYL WPAH130380
7700, 7720	New Long Finger Top Chaffer, 52.87" x 60.91"	CYL WPAH106772
7720 Titan II	New Long Finger Top Chaffer, 52.87" x 66.88"	CYL WPAH130383
8820	New Long Finger Top Chaffer, 63.73" x 61.65"	CYL WPAH97998
8820 Titan II	New Long Finger Top Chaffer, 63.73" x 67.62"	CYL WPAH130386
9400, 9410, 9450, 9500, 9510, 9550, 9560, CTS, CTS II, 9660CTS	New Long Finger Top Chaffer, Set of 2 for chaffer 25.67" x 35.71"	CYL WPLFJD-9400
9400, 9410, 9450, 9500, 9510, 9550, 9560, CTS, CTS II, 9660CTS	New Long Finger Top Chaffer, Extension - 1 Piece 52.05" x 17.92"	CYL WPLFJDE-9400
9400, 9410, 9450, 9500, 9510, 9550, 9560, CTS, CTS II, 9660CTS	New Long Finger Top Chaffer Precleaner - Set of 2	CYL WPLFJDPC-9400
9600, 9610, 9650, 9660	New Long Finger Top Chaffer, Set of 2 for chaffer, 31.10" x 35.71"	CYL WPLFJD-9600
9600, 9610, 9650, 9660	New Long Finger Top Chaffer, Extension - 1 Piece, 62.91" x 17.92"	CYL WPLFJDE-9600
9600, 9610, 9650, 9660	New Long Finger Top Chaffer, Precleaner - Set of 2	CYL WPLFJDPC-9600
9650STS, 9660STS, 9750STS, 9760STS	New Long Finger Top Chaffer, 51.87" x 63.25"	CYL WPAH212248

### Blunt Finger Bottom Sieves

Adjustable Blunt Finger Sieves - These adjustable sieves feature nylon adjustable mechanisms and cushions in each wire hole to improve adjustments and reduce friction, wear, and breakage. Individual replacement louvers make for easier repairs. Wire spacing is 1 <sup>1</sup>/<sub>8</sub>".

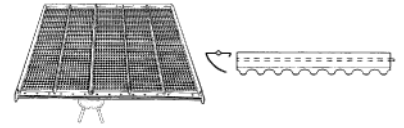


APPLICATION	DESCRIPTION	PART NUMBER
4400, 4420	New Blunt Finger Bottom Sieve, 35.88" x 42.63"	CYL WPAH85351
6600, 6620	New Blunt Finger Bottom Sieve, 41.87" x 46.05"	CYL WPAH85352
6620 Titan II	New Blunt Finger Bottom Sieve, 41.87" x 52.31"	CYL WPAH130387
7700, 7720	New Blunt Finger Bottom Sieve, 52.72" x 46.83"	CYL WPAH96771
7720 Titan II	New Blunt Finger Bottom Sieve, 52.72" x 52.43"	CYL WPAH130389
8820	New Blunt Finger Bottom Sieve, 63.58" x 46.86"	CYL WPAH96772
8820 Titan II	New Blunt Finger Bottom Sieve, 63.58" x 52.95"	CYL WPAH130391
9400, 9500, 9510, 9550, CTS, CTS II	New Blunt Finger Bottom Sieve, 25.69" x 48.63"	CYL WPAH130160
9600, 9610, 9650	New Blunt Finger Bottom Sieve, Set of 2, 31.00" x 48.50"	CYL WPAH130159
9650SS, 9660STS, 9750STS, 9760STS	New Blunt Finger Bottom Sieve, 51.87" x 54.75"	CYL WPAH208290

## FITS JOHN DEERE

### Peterson Top Chaffers

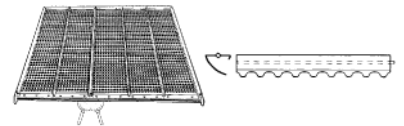
Peterson Adjustable Chaffers - Complete with levers for fine tuning, to match specific crop and harvest conditions. Special dividers make the Peterson Chaffer ideal for hill side conditions.



APPLICATION	DESCRIPTION	PART NUMBER
6600, 6620	New Peterson Adjustable Top Chaffer, 42.01" x 60.76"	CYL WPPJD-6600
6620 Titan II	New Peterson Adjustable Top Chaffer, 42.01" x 60.76"	CYL WPPJD-6620-TII
7700, 7720	New Peterson Adjustable Top Chaffer, 52.87" x 60.91"	CYL WPPJD-7700
7720 Titan II	New Peterson Adjustable Top Chaffer, 52.87" x 66.88"	CYL WPPJD-7720-TII
8820	New Peterson Adjustable Top Chaffer, 63.73" x 61.65"	CYL WPPJD-8820
8820 Titan II	New Peterson Adjustable Top Chaffer, 63.73" x 67.62"	CYL WPPJD-8820-TII
9400, 9500, 9510, 9450, 9550, CTS, CTS II	New Peterson Adjustable Top Chaffer, Set of 2 for Chaffer, 25.67" x 35.71"	CYL WPPJD-9400
9400, 9500, 9510, 9450, 9550, CTS, CTS II	New Peterson Adjustable Top Chaffer, Extension - 1 piece, 52.05" X 17.92"	CYL WPPJDE-9400
9400, 9500, 9510, 9450, 9550, CTS, CTS II	New Peterson Adjustable Top Chaffer, Precleaner - Set of 2, 25.67" x 35.31"	CYL WPPJDPC-9400
9600, 9610, 9650	New Peterson Adjustable Top Chaffer, Set of 2 for Chaffer, 31.10" x 35.71"	CYL WPPJD-9600
9600, 9610, 9650	New Peterson Adjustable Top Chaffer, Extension - 1 piece, 62.91" x 17.92"	CYL WPPJDE-9600
9600, 9610, 9650	New Peterson Adjustable Top Chaffer, Precleaner - Set of 2, 31.31" x 35.71"	CYL WPPJDPC-9600

### Peterson Bottom Sieves

Peterson Adjustable Sieves - Complete with levers for fine tuning, to match specific crop and harvest conditions. Special dividers make the Peterson Sieves ideal for hill side conditions.



APPLICATION	DESCRIPTION	PART NUMBER
6600, 6620	New Petersen Adjustable Bottom Sieves, 42.01" x 60.76"	CYL WPPJDB-6600

### Round Hole Bottom Sieves

Round Hole Bottom Sieves - Made of galvanized material. Dividers included for even distribution and extra strength.

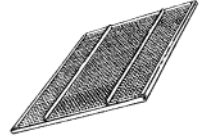


APPLICATION	DESCRIPTION	PART NUMBER
6600, 6620	New Round Hole Bottom Sieve, 41.87" x 46.05", 3/8" hole	CYL WPAH77803
6620 Titan II	New Round Hole Bottom Sieve, 41.87" x 52.31", 3/8" hole	CYL WPAH118986
7700, 7720	New Round Hole Bottom Sieve, 52.72" x 46.83", 3/8" hole	CYL WPAH77806
7720 Titan II	New Round Hole Bottom Sieve, 52.72" x 52.43", 3/8" hole	CYL WPAH118987
8820	New Round Hole Bottom Sieve, 63.58" x 46.83", 3/8" hole	CYL WPAH98009
8820 Titan II	New Round Hole Bottom Sieve, 63.58" x 52.95", 3/8" hole	CYL WPAH118988
9400, 9450, 9500, 9510, 9550, CTS	New Round Hole Bottom Sieve, 25.69" x 48.63", 3/8" hole, Set of 2 for Sieve	CYL WPAH131219
9600, 9310, 9650	New Round Hole Bottom Sieve, 31.00" x 48.50", 3/8" hole, Set of 2 for Sieve	CYL WPAH131218
9650STS, 9750STS	New Round Hole Bottom Sieve, 51.87" x 54.75", 3/8" hole	CYL WPAH166545

## FITS JOHN DEERE

### Rigid Air Foil Chaffers

Rigid Air Foil Chaffers - Made of galvanized material. Dividers included for even distribution and extra strength. Preset for maximum performance at normal conditions. LIFETIME WARRANTY.

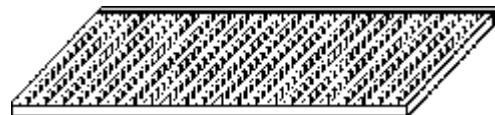


APPLICATION	DESCRIPTION	PART NUMBER
6600, 6620	New Rigid Air Foil Chaffer, 42.01" x 60.76"	CYL WPAH128754
7700, 7720	New Rigid Air Foil Chaffer, 52.87" x 60.91"	CYL WPAH128755
6620 Titan II	New Rigid Air Foil Chaffer, 42.01" x 66.88"	CYL WPAH144637
7720 Titan II	New Rigid Air Foil Chaffer, 52.87" x 66.88"	CYL WPAH144638
8820	New Rigid Air Foil Chaffer, 63.73" x 61.65"	CYL WPAH128756
8820 Titan II	New Rigid Air Foil Chaffer, 63.73" x 66.81"	CYL WPAH144639
9400, 9400, 9450, 9500, 9510, 9550, 9560, CTS, CTS II, 9660CTS	New Rigid Air Foil Chaffer, 25.67" x 35.74" Set of 2 for chaffer	CYL WPAH130486
9600, 9610, 9650, 9660	New Rigid Air Foil Chaffer, 31.10" x 35.71", Set of 2 for chaffer	CYL WPAH130485

### Harvest Sieves - Air foil chaffers, plastic adjustable top & bottom sieves

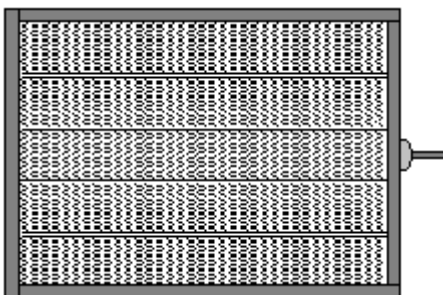
#### ALL STEEL AIRFOIL CHAFFER

- Uniform air distribution across entire width of chaffer.
- Cushion of air keeps lighter material suspended while heavier material (grain) falls through.
- Air is directed almost straight up.
- No adjustments - just fan speed.
- Almost 100% recovery from canola to beans.
- Money Back Guarantee & Lifetime Warranty.



#### PLASTIC ADJUSTABLE

- Patented plastic sieve is approx. 40% lighter than steel.
- Top chaffer - 1 3/8" spacing standard for 1 1/2" for corn.
- Precision adjustments by increments.



#### PLASTIC LOUVER



- Cupped tail scoop on bottom side of louver forces air more vertical.
- Plastic louvers won't rust.
- Smooth profile of louvers reduce sappy weed buildup & "icing".
- Plastic louvers, joiners, etc. are fully replaceable.

**FITS JOHN DEERE**

**Harvest Sieves - Air foil chaffers, plastic adjustable top & bottom sieves**

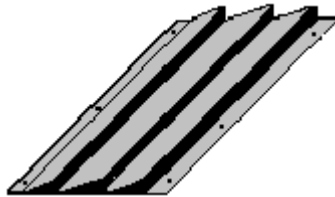
DESCRIPTION	TO FIT	L x W	WT	PART NO.
AIRFOIL CHAFFER	JD 6600/01/02/20/22	61" x 42"	54	CYL CH1020
ADJUSTABLE CHAFFER	JD 6600/01/02/20/22	61" x 42"	50	SHI ACH1020
BOTTOM SIEVE	JD 6600/01/02/20/22	46" x 42"	45	SHI BS 1020
BOTTOM SIEVE	JD 6600/01/02/20/22 WITH EARS TO LOWER SIEVE	46" x 42"	45	SHI BS1021
AIRFOIL CHAFFER	JD 7700/01/20/21	61" x 53"	75	CYL CH1025
ADJUSTABLE CHAFFER	JD 7700/01/20/21	61" x 53"	60	SHI ACH1025
BOTTOM SIEVE	JD 7700/01/20/21	47" x 53"	60	SHI BS1025
BOTTOM SIEVE	JD 7700/01/20/21 WITH EARS TO LOWER SIEVE	47" x 53"	60	SHI BS1026
AIRFOIL CHAFFER	JD 8820	61" x 64"	76	CYL CH1030
ADJUSTABLE CHAFFER	JD 8820	61" x 64"	90	SHI ACH1030
BOTTOM SIEVE	JD 8820	47" x 64"	75	SHI BS1030
BOTTOM SIEVE	JD 8820 WITH EARS TO LOWER SIEVE	47" x 64"	75	SHI BS1031
AIRFOIL CHAFFER	JD 6620 TITAN II	67" x 42"	59	CYL CH1035
ADJUSTABLE CHAFFER	JD 6620 TITAN II	67" x 42"	64	SHI ACH1035
BOTTOM SIEVE	JD 6620 TITAN II	52" x 42"	49	SHI BS1035
AIRFOIL CHAFFER	JD 7720 TITAN II	67" x 53"	75	CYL CH1040
ADJUSTABLE CHAFFER	JD 7720 TITAN II	67" x 53"	66	SHI ACH1040
BOTTOM SIEVE	JD 7720 TITAN II	52" x 53"	65	SHI BS1040
AIRFOIL CHAFFER	JD 8820 TITAN II	67" x 64"	84	CYL CH1045
ADJUSTABLE CHAFFER	JD 8820 TITAN II	67" x 64"	80	SHI ACH1045
BOTTOM SIEVE	JD 8820 TITAN II	52" x 64"	80	SHI BS1045
AIRFOIL CHAFFER	JD 9400, 9500 CTS - CTSII AND CURTAIN (3 PC)	2 - 35" x 26" 1 - 17" x 52"	71	CYL CH1050
ADJUSTABLE CHAFFER	JD 9400, 9500 CTS - CTSII (3 PC)	2 - 35" x 26" 1 - 17" x 52"	65	SHI ACH1050
BOTTOM SIEVE	JD 9400, 9500 CTS - CTSII (2 PC)	49" x 25"	50	SHI BS1050
AIRFOIL CHAFFER	JD 9600/10 AND CURTAIN (3 PC)	2 - 35" x 31" 1 - 17" x 63"	81	SHI CH1055
ADJUSTABLE CHAFFER	JD 9600/10 (3 PC)	2 - 35" x 31" 1 - 17" x 63"	75	SHI ACH1055
BOTTOM SIEVE	JD 9600/10 (2 PC)	49" x 31"	70	SHI BS 1055
AIRFOIL CHAFFER	JD 9650, 9750 STS	63" x 52"	80	CYL CH1060
ADJUSTABLE CHAFFER	JD 9650, 9750 STS	63" x 52"	74	SHI ACH 1060
BOTTOM SIEVE	JD 9650, 9750 STS	55" x 52"	70	SHI BS 1060

## FITS JOHN DEERE

### Sieve Replacement Parts

DESCRIPTION		PART NO.
LOUVER FOR TOP ADJUSTABLE SIEVE	PLEASE SPECIFY LENGTH NEEDED WHEN ORDERING	SHI ACHCPLASTIC
LOUVER FOR BOTTOM ADJUSTABLE SIEVE	PLEASE SPECIFY LENGTH NEEDED WHEN ORDERING	SHI BSCPLASTIC
CONNECTOR FOR SIEVES		SHI PLCCONNECTOR
CRANK FOR SIEVES		SHI PLCRANK
END PINS FOR SIEVES		SHI PLENDCAP
ADJUSTMENT HANDLE FOR SIEVES	OLD STYLE (PRE 03)	CYL HANDLE
ADJUSTMENT HANDLE FOR SIEVES	NEW STYLE (03)	CYL HANDLE 03

### Ripple Tins, Dividers and Deflectors



#### RIPPLE TINS

Use on front of Airfoil Chaffer when combining small seeded crops & when spearing is a problem.



#### DIVIDERS

Mount on the chaffer to provide a more even distribution on the chaffer.



#### DEFLECTORS

Keep the grain off the side rails.

PART NO.	DESCRIPTION	WT
RIPPLE TINS	ORDER RIPPLE TINS USING THE CHAFFER STOCK NUMBER SUBSTITUTING RT FOR CH	5
DIVIDERS		4
DEFLECTORS		2



## FITS JOHN DEERE

### Chaffer / Sieve Frame

APPLICATION	DESCRIPTION	PART NUMBER
6600, 6620, 6622	Chaffer Frame, Sieve Shoe Frame	CYL WPAH97752, CYL WPAH112543
6620 Titan II, 6622 Titan II	Chaffer Frame, Sieve Shoe Frame	CYL WPAH115198 CYL WPAH116659
7700, 7720	Chaffer Frame, Sieve Shoe Frame	CYL WPAH97751 CYL WPAH112544
7720 Titan II	Chaffer Frame, Sieve Shoe Frame	CYL WPAH115199 CYL WPAH116660
8820	Chaffer Frame, Sieve Shoe Frame	CYL WPAH97715 CYL WPAH112545
8820 Titan II	Chaffer Frame, Sieve Shoe Frame	CYL WPAH114417 CYL WPAH116661
9400, 9410, 9500, 9510, 9450, 9550, 9560, CTS, CTS II, 9650CTS, 9660CTS	Chaffer Frame, Chaffer Precleaner Frame, Sieve Shoe Frame	CYL WPAH204976 CYL WPAH153808 CYL WPAH149701
9600, 9610, 9650, 9660	Chaffer Frame, Chaffer Precleaner Frame, Sieve Shoe Frame	CYL WPAH204975 CYL WPAH153807 CYL WPAH149702



### Chaffer & Sieve Bushing Kits

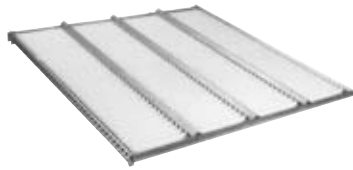
APPLICATION	DESCRIPTION	PART NUMBER
6600, 7700	Sieve Bushing Kit, Set of 14	CYL WPCBJD-6600
6620, 7720, 8820	Sieve Bushing Kit, set of 16	CYL WPCBJD-6620
9000 Series, CTS, CTS II	Sieve Bushing Kit, Set of 10	CYL WPCBJD-9000
9650STS, 9750STS	Sieve Bushing Kit, Set of 10	CYL WPCBJD-9650
6600, 6620, 7700, 7720, 8820	Chaffer Bushing Kit, Set of 10	CYL WPCBJD-6600-1
6620 Titan II, 7720 Titan II, 8820 Titan II	Chaffer Bushing Kit, Set of 12	CYL WPCBJD-6620-1
9000 Series, CTS, CTS II	Chaffer Bushing Kit, Set of 14	CYL WPCBJD-9000-1
9650STS, 9750STS	Chaffer Bushing Kit, Set of 12	CYL WPCBJD-9650-1
9000 Series, CTS, CTSII early	Shaker Pan Bushing Kit, Set of 10	CYL WPCBJD-9000-2
9650STS, 9750STS	Shaker Pan Bushing Kit, Set of 4	CYL WPCBJD-9650-2
6620 Titan II, 7720 Titan II, 8820 Titan II	Rear Axle Shields Bushing Kit, Set of 4	CYL WPCBJD-6600-2
9000 Series, CTS, CTS II	Rear Axle Shields Bushing Kit, Set of 4	CYL WPCBJD-9000-3

## FITS JOHN DEERE

### Gateway Sieves - Aluminum Frame, Plastic Finger Adjustable Sieves and Chaffers

#### Aluminum Frame - Plastic Fingers

- Lightweight - up to 50% lighter than OEM
- Rustproof
- Less chaff buildup
- Improved grain cleaning - plastic teeth offer less resistance and work well with both small grain and high yield corn
- Infinitely adjustable slats featuring easy to use adjustment handles
- Available in 2 row-to-row spacing widths:
  - wide (45 mm) for corn and soybeans
  - narrow (33 mm) for smaller cereal grains
- Easy to repair



#### Tooth Design

- 3/8" short tooth (ST)
- 7/8" long tooth (LT)
- Standard chaffer offered with long tooth and can replace a deep tooth (1-1/4") slat



#### Modular Construction

- Allows easy and cost-effective repair
- All components are replaceable
- Slat connectors allow precise adjustment - infinite angles and optimal cleaning performance

#### Optional Divider Riser Kit

- For side hill conditions
- 002641 kit mounts to existing risers
- Each kit comes with 12 clips and 24 rivets (divider risers not included)

#### STS 9650, 9750, 9660, 9760, 9860 Remote Adjust

Description	Replaces OEM #	Frame Size	Wt.	Panels Rep#/Orig#	Adjusters Rep#/Orig#	Row-to-Row	Tooth	Part No.
Top Chaffer STS 45LT - 4P	AH212245	51.89 x 63.30	80	4/4	1/1	45mm (1-5/8")	long	SHI 002647
Top Chaffer STS 33LT - 4P	AH212239	51.89 x 63.30	85	4/4	1/1	33mm (1-1/8")	long	SHI 002648
Bottom Sieve STS 33ST - 4P	AH212241	51.89 x 54.90	75	4/4	1/1	33mm (1-1/8")	short	SHI 002646
Bottom Sieve STS 33LT - 4P	AH212247	51.89 x 54.90	75	4/4	1/1	33mm (1-1/8")	long	SHI 002649

#### STS 9650, 9750, 9660, 9760, 9860 Manual Adjust

Description	Replaces OEM #	Frame Size	Wt.	Panels Rep#/Orig#	Adjusters Rep#/Orig#	Row-to-Row	Tooth	Part No.
Top Chaffer STS 45LT - 4P	AH212248	51.89 x 63.30	78	4/4	1/1	45mm (1-5/8")	long	SHI 002652
Top Chaffer STS 33LT - 4P	AH211936	51.89 x 63.30	83	4/4	1/1	33mm (1-1/8")	long	SHI 002653
Bottom Sieve STS 33ST - 4P	AH211944	51.89 x 54.90	73	4/4	1/1	33mm (1-1/8")	short	SHI 002651
Bottom Sieve STS 33LT - 4P	AH212249	51.89 x 54.90	73	4/4	1/1	33mm (1-1/8")	long	SHI 002654

#### 8820 S/N 610700 and Prior

Description	Replaces OEM #	Frame Size	Wt.	Panels Rep#/Orig#	Adjusters Rep#/Orig#	Row-to-Row	Tooth	Part No.
Top Chaffer 8820 45LT - 4P	AH97998	63.73 x 61.62	80	4/7	2/2	45mm (1-5/8")	long	SHI 002657
Top Chaffer 8820 33LT - 4P	AH96770	63.73 x 61.62	85	4/7	2/2	33mm (1-1/8")	long	SHI 002658
Bottom Sieve 8820 33ST - 4P	AH96772	63.58 x 46.83	68	4/6	1/2	33mm (1-1/8")	short	SHI 002656
Bottom Sieve 8820 33LT - 4P	AH98000	63.58 x 46.83	68	4/6	1/2	33mm (1-1/8")	long	SHI 002659

**FITS JOHN DEERE**

**Gateway Sieves - Aluminum Frame, Plastic Finger Adjustable Sieves and Chaffers (continued)**

**7700, 7701, 7720, 7721 Prior to S/N 610500**

Description	Replaces OEM #	Frame Size	Wt.	Panels Rep#/Orig#	Adjusters Rep#/Orig#	Row-to-Row	Tooth	Part No.
Top Chaffer 7720 45LT - 4P	AH106771	52.87 x 60.88	66	4/6	2/2	45mm (1-5/8")	long	SHI 002662
Top Chaffer 7720 33LT - 4P	AH106770	52.87 x 60.88	70	4/6	2/2	33mm (1-1/8")	long	SHI 002663
Bottom Sieve 7720 33ST - 4P	AH96771	52.75 x 46.83	55	4/5	1/1	33mm (1-1/8")	short	SHI 02661
Bottom Sieve 7720 33LT - 4P	AH98001	52.75 x 46.83	55	4/5	1/1	33mm (1-1/8")	long	SHI 02664

**6600, 6601, 6620, 6621, 6622 Prior to S/N 610700**

Description	Replaces OEM #	Frame Size	Wt.	Panels Rep#/Orig#	Adjusters Rep#/Orig#	Row-to-Row	Tooth	Part No.
Top Chaffer 6620 45LT - 4P	AH99749	42.01 x 60.76	47	3/5	2/2	45mm (1-5/8")	long	SHI 002667
Top Chaffer 6620 33LT - 4P	AH99748	42.01 x 60.76	51	3/5	2/2	33mm (1-1/8")	long	SHI 002668
Bottom Sieve 6620 33ST - 4P	AH85352	41.90 x 46.08	37	3/4	1/1	33mm (1-1/8")	short	SHI 002666
Bottom Sieve 6620 33LT - 4P	AH98002	41.90 x 46.08	37	3/4	1/1	33mm (1-1/8")	long	SHI 002669

**8820 Titan II**

Description	Replaces OEM #	Frame Size	Wt.	Panels Rep#/Orig#	Adjusters Rep#/Orig#	Row-to-Row	Tooth	Part No.
Top Chaffer 8820 T2 45LT - 4P	AH130385	63.73 x 67.62	86	4/7	2/2	45mm (1-5/8")	long	SHI 002672
Top Chaffer 8820 T2 33LT - 4P	AH130384	63.73 x 67.62	92	4/7	2/2	33mm (1-1/8")	long	SHI 002673
Bottom Sieve 8820 T2 33ST - 4P	AH130391	63.58 x 52.95	83	4/6	1/2	33mm (1-1/8")	short	SHI 002671
Bottom Sieve 8820 T2 33LT - 4P	AH130392	63.58 x 52.95	83	4/6	1/2	33mm (1-1/8")	long	SHI 002674

**7720 Titan II**

Description	Replaces OEM #	Frame Size	Wt.	Panels Rep#/Orig#	Adjusters Rep#/Orig#	Row-to-Row	Tooth	Part No.
Top Chaffer 7720 TII 45LT - 4P	AH130383	52.87 x 66.88	71	4/6	2/2	45mm (1-5/8")	long	SHI 002677
Top Chaffer 7720 TII 33LT - 4P	AH130381	52.87 x 66.88	76	4/6	2/2	33mm (1-1/8")	long	SHI 002678
Bottom Sieve 7720 TII 33ST - 4P	AH130389	52.75 x 52.45	61	4/5	1/1	33mm (1-1/8")	short	SHI 002676
Bottom Sieve 7720 TII 33LT - 4P	AH130390	52.75 x 52.45	61	4/5	1/1	33mm (1-1/8")	long	SHI 002679

**6620 Titan II**

Description	Replaces OEM #	Frame Size	Wt.	Panels Rep#/Orig#	Adjusters Rep#/Orig#	Row-to-Row	Tooth	Part No.
Top Chaffer 6620 TII 45LT - 4P	AH130379	42.01 x 66.88	54	3/5	2/2	45mm (1-5/8")	long	SHI 002682
Top Chaffer 6620 TII 33LT - 4P	AH130378	42.01 x 66.88	58	3/5	2/2	33mm (1-1/8")	long	SHI 002683
Bottom Sieve 6620 TII 33ST - 4P	AH130387	41.87 x 52.45	50	3/4	1/1	33mm (1-1/8")	short	SHI 002681
Bottom Sieve 6620 TII 33LT - 4P	AH130388	41.87 x 52.45	50	3/4	1/1	33mm (1-1/8")	long	SHI 002684

## FITS JOHN DEERE

### Gateway Sieves - Aluminum Frame, Plastic Finger Adjustable Sieves and Chaffers (continued)

#### 94-9500 Incl. 10, 50, 60

Description	Replaces OEM #	Frame Size	Wt.	Panels Rep#/Orig#	Adjusters Rep#/Orig#	Row-to-Row	Tooth	Part No.
Top Chaffer 9500 45LT - 2P	N/A	25.67 x 35.71	21	2/2	1/1	45mm (1-5/8")	long	SHI 002587
Top Chaffer 9500 33LT - 2P	AH132785 / AH149553, 51	25.67 x 35.71	22	2/2	1/1	33mm (1-1/8")	long	SHI 002588
Bottom Sieve 9500 33ST - 2P - RH	AH130160 / AH149558	25.67 x 48.70	30	2/2	1/1	33mm (1-1/8")	short	SHI 002586
Bottom Sieve 9500 33ST - 2P - LH	AH130160 / AH149559	25.67 x 48.70	30	2/3	1/1	33mm (1-1/8")	short	SHI 002590
Bottom Sieve 9500 33LT - 2P - RH	N/A	25.67 x 48.70	30	2/2	1/1	33mm (1-1/8")	long	SHI 002586
Bottom Sieve 9500 33LT - 2P - LH	N/A	25.67 x 48.70	30	2/3	1/1	33mm (1-1/8")	long	SHI 002591

\* Must order two chaffers or both LH (left-hand) and RH (right-hand) sieves to replace units.

#### 9600, 9610, 9650, 9660

Description	Replaces OEM #	Frame Size	Wt.	Panels Rep#/Orig#	Adjusters Rep#/Orig#	Row-to-Row	Tooth	Part No.
Top Chaffer 9600 45LT - 2P	N/A	31.10 x 35.71	25	2/3	1/1	45mm (1-5/8")	long	SHI 002597
Top Chaffer 9600 33LT - 2P	AH132784 / AH149552, 50	31.10 x 35.71	27	2/3	1/1	33mm (1-1/8")	long	SHI 002598
Bottom Sieve 9600 33ST - 3P - RH	AH130159 / AH149556	31.10 x 48.70	36	3/3	1/1	33mm (1-1/8")	short	SHI 002596
Bottom Sieve 9600 33ST - 3P - LH	AH130159 / AH149557	31.10 x 48.70	36	3/3	1/1	33mm (1-1/8")	short	SHI 002592
Bottom Sieve 9600 33LT - 3P - RH	N/A	31.10 x 48.70	36	3/3	1/1	33mm (1-1/8")	long	SHI 002599
Bottom Sieve 9600 33LT - 3P - LH	N/A	31.10 x 48.70	36	3/3	1/1	33mm (1-1/8")	long	SHI 002593

\* Must order two chaffers or both LH (left-hand) and RH (right-hand) sieves to replace units.

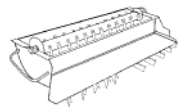
**FITS JOHN DEERE**

**Straw Walkers and Parts**

APPLICATION	DESCRIPTION	PART NUMBER
6600, 7700	New Straw Walker	CYL WPAH93701
6620, 7720, 8820	New Straw Walker	CYL WPAH94469
9400, 9450	New Straw Walker	CYL WPAH135381
9500, 9510, 9550, 9600, 9610, 9650	New Straw Walker	CYL WPAH135380
9400, 9450, 9500, 9510, 9550, 9600, 9610, 9650	New Straw Walker Riser Kit, Set of 10, Hardware Included	CYL WPWJDR-9400
6600, 6620	New Straw Walker Crank	CYL WPAH92218
7700, 7720	New Straw Walker Crank	CYL WPAH92415
8820	New Straw Walker Crank	CYL WPAH91790
9400, 9410, 9450, 9500, 9510, 9550	New Straw Walker Crank	CYL WPAH151332 (Front) CYL WPAH145604 (Rear)
9600, 9610, 9650	New Straw Walker Crank	CYL WPAH151331 (Front) CYL WPAH145602 (Rear)
6600, 6620, 7700	New Straw Walker Wood Bearing Blocks Set of 2, Includes Hardware, Replaces: H119613	CYL WPBJW613
9400 (Prior S/N 635181), 9500 (Prior S/N 636926) 9600 (Prior S/N 636084)	New Straw Walker Wood Bearing Blocks, Series One Set of 2, Includes Hardware, Replaces: H140070	CYL WPBJW070
9400 (Eff S/N 635181), 9500 (Eff S/N 636926), 9600 (Eff S/N 636084)	New Straw Walker Wood Bearing Blocks, Series Two Set of 2, Includes Hardware, Replaces: H140677	CYL WPH140677
9400 (Eff S/N 650101), 9500 (Eff S/N 650201), 9600 (Eff S/N 650301), 9510, 9610	New Straw Walker Wood Bearing Blocks, Series Three Set of 2, Includes Hardware, Replaces: H147747 / H147748 Replaces aluminum blocks	CYL WPBJW820
9400 (Eff S/N 650101), 9500 (Eff S/N 650201), 9600 (Eff S/N 650301), 9510, 9610	New Straw Walker Wood Bearing Blocks, Series Three Set of 2, Includes Hardware, Replaces: H147747 / H147748 Replaces aluminum blocks, Slightly undersized to fit worn walker shafts, complet w/shims.	CYL WPBJW821

**Straw Choppers**

APPLICATION	DESCRIPTION	PART NUMBER
4400, 4420	New Straw Chopper Assembly w/o Drive Kit New Straw Chopper Assembly w/ Used Drive Kit New Straw Chopper Assembly w/ Used Drive Kit	CYL WPC4420-N CYL WPC4420-CD (Corn) CYL WPC4420-WD (Wheat)
6600 (Late), 6620	New Straw Chopper Assembly w/o Drive Kit New Straw Chopper Assembly w/ Used Drive Kit New Straw Chopper Assembly w/ Used Drive Kit	CYL WPC6620-N MC6620-CD (Corn) MC6620-WD (Wheat)
7700 (Late), 7720	New Straw Chopper Assembly w/o Drive Kit New Straw Chopper Assembly w/ Used Drive Kit New Straw Chopper Assembly w/ Used Drive Kit	CYL WPC7720-N CYL WPC7720-CD (Corn) CYL WPC7720-WD (Wheat)
8820	New Straw Chopper Assembly w/o Drive Kit New Straw Chopper Assembly w/ Used Drive Kit New Straw Chopper Assembly w/ Used Drive Kit	CYL WPC8820-N CYL WPC8820-CD (Corn) CYL WPC8820-WD (Wheat)
9400, 9410, 9450, 9500, 9510, 9550	New Straw Chopper Assembly w/o Drive Kit New Straw Chopper Assembly w/ Used Drive Kit	CYL WPC9500-N MC9500-CD (Corn)
9600, 9610, 9650	New Straw Chopper Assembly w/o Drive Kit New Straw Chopper Assembly w/ Used Drive Kit	CYL WPC9600-N CYL WPC9600-CD (Corn)



## FITS JOHN DEERE

### Straw Chopper Drive Components

APPLICATION	DESCRIPTION	PART NUMBER
6620, 7720, 8820, 9400, 9410, 9500, 9510, 9600, 9610	Straw Chopper Drive Pulley Replaces: AH119770	CYL WPAH95486
9400, 9410, 9500, 9510, 9600, 9610	Straw Chopper Front Drive Arm	CYL WPAH135342
9400, 9410, 9450, 9500, 9510, 9550, 9560, 9600, 9610, 9650, 9660	Straw Chopper Rear Drive Arm	CYL WPAH169220
9400, 9410, 9450, 9500, 9510, 9550, 9560, 9600, 9610, 9650, 9660	Straw Chopper Drive Kit	CYL WPX27118
9450, 9550, 9650, 9650, 9660	Straw Chopper Drive Pulley	CYL WPAH162528
9600	Flat Idler Pulley, 8" x 1/2", AH93318	CYL IP212852128-108
4400, 4420, 6600, 6620, 6622, 7700, 7720, 9400, 9410, 9500, 9510, 9600, 9610, 9650STS, 9650STS, 9750STS	Sheave Spacer	CYL WPP50273
9400, 9410, 9450, 9500, 9510, 9550, 9560, 9600, 9610, 9650, 9650STS, 9660, 9660STS, 9750STS, 9760STS, 9860STS, 9880STS	Straw Chopper Drive Guard	CYL WPH132902
9450, 9550, 9560, 9650, 9660	Pivot Bushing	CYL WPH173900
9400, 9410, 9450, 9500, 9510, 9550, 9560, 9600, 9610, 9650, 9660	Straw Chopper Bracket	CYL WPH132901

### Straw Chopper Blades

Hardened steel chopper blades - Set includes hardware

As part of the normal repair process, the entire drum should be dynamically balanced after the installation of new blade kits



APPLICATION	DESCRIPTION	PART NUMBER
7700, 7720 - (Req. 5 sets), 8820 - (Req. 6 sets), 9400, 9500 - (Req. 5 sets), 9600 - (Req. 6 sets)	New Strawchopper Blade Kit 8 3/8" Long Set Includes: (6) knives w/o hardware	CYL WPAH124635 (Dbl. Bevel) CYL WPAH124635SB (Sgl. Bevel)
3300 - (Req. 3 sets), 4400, 4420, 6600, 6620 - (Req. 4 sets)	New Straw Chopper Blades, 9 1/4" Long Set Includes: (6) Knives & Hdw., Replaces: P48066 & AH126851	CYL WPAH126851
7700, 7720 - (Req. 5 sets), 8820 - (Req. 6 sets), 9400, 9500 - (Req. 5 sets), 9600 - (Req. 6 sets)	New Straw Chopper Blades, 8 3/8" Long Set Includes: (6) Knives & Hdw., Replaces: H88809 & AH124635	CYL WPAH171588
6600, 6620	New Straw Chopper Rotor Rods 3 Req'd for use with new style "Tri-Rotor"	CYL WPH139500
7700, 7720, 9400 (Prior S/N 645110), 9500 (Prior S/N 646108), 9410, 9510, 9450, 9550	New Straw Chopper Rotor Rods 3 Req'd for use with new style "Tri-Rotor"	CYL WPH139600
8820, 9600 (Prior S/N 645300)	New Straw Chopper Rotor Rods, 3 Req'd for use with new style "Tri-Rotor"	CYL WPH132122
9400, 9410, 9500, 9510 - (29 Req'd), 9600, 9610 - (35 Req'd)	New Straw Chopper Blades	CYL WPH142141FC

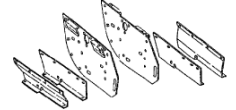
### Straw Chopper Rotor Assemblies

APPLICATION	DESCRIPTION	PART NUMBER
4400, 4420 4400, 4420	New Balanced Straw Chopper Rotor Assembly This is a new style "Tri-Rotor"	CYL WPAH95367-3
6600, 6620	New Balanced Straw Chopper Rotor Assembly This is a new style "Tri-Rotor"	CYL WPAH128616-3
7700, 7720, 9400, 9500, 9410, 9510, 9450, 9550, CTS, CTS II	New Balanced Straw Chopper Rotor Assembly This is a new style "Tri-Rotor"	CYL WPAH143426
8820, 9600, 9610, 9650	New Balanced Straw Chopper Rotor Assembly This is a new style "Tri-Rotor"	CYL WPAH143424



**FITS JOHN DEERE**

**Straw Chopper Housing Components**



APPLICATION	DESCRIPTION	PART NUMBER
4400, 4420, 6600, 6620, 7700, 7720, 8820	New Side Sheet Kits	CYL WPBH77683 <b>Components</b> CYL WPAH112271 (RH Side Sheet) CYL WPAH112272 (LH Side Sheet) CYL WPH113983 (RH Inner Hanger) CYL WPH113984 (LH Inner Hanger) CYL WPAH111646 (RH Outer Hanger) CYL WPAH111647 (LH Outer Hanger)
9500, 9600, 9510, 9610, 9550, 9650, CTS, CTS II	New Side Sheet	CYL WPAH138157 (Right Hand) CYL WPAH138156 (Left Hand)
9510, 9610, 9550, 9650	New Side Rail	CYL WPAH139679 (Right Hand) CYL WPAH139680 (Left Hand)

**Straw Chopper Parts and Components**

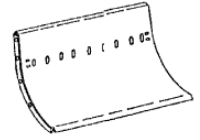
APPLICATION	DESCRIPTION	PART NUMBER
9400, 9410, 9450, 9500, 9510, 9550, CTS, CTS II	Chopper Rail Bracket	CYL WPH145778
9600, 9610, 9650	Chopper Rail Bracket	CYL WPH145779
9400, 9410, 9450, 9500, 9510, 9550, CTS, CTS II	Shield	CYL WPH146308
9600, 9610, 9650	Shield	CYL WPH146307
9400, 9410, 9450, 9500, 9510, 9550, CTS, CTS II	Straw Chopper Adjuster Shaft	CYL WPAH135837
9600, 9610, 9650	Straw Chopper Adjuster Shaft	CYL WPAH135836



## FITS JOHN DEERE

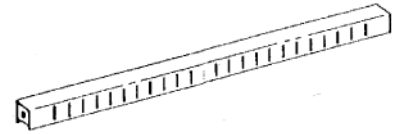
### Bottom Knife Sheet

APPLICATION	DESCRIPTION	PART NUMBER
4400, 4420	New Bottom Sheet	CYL WPH149830
6600, 6620	New Bottom Sheet	CYL WPH149831
7700, 7720	New Bottom Sheet	CYL WPH149832
8820	New Bottom Sheet	CYL WPH149833
9500 (Early)	New Bottom Sheet, Use Sickles Section Knives	CYL WPAH123012
9400, 9500 - (Late), 9410, 9510, 9450, 9550	New Bottom Sheet Use Straw Chopper Knives	CYL WPAH143048
9600 (Early)	New Bottom Sheet Use Sickles Section Knives	CYL WPAH123011
9600 (Late), 9610, 9650	New Bottom Sheet, Use Straw Chopper Knives	CYL WPAH143047



### Knife Mount Channels and Parts

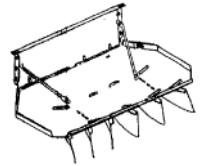
APPLICATION	DESCRIPTION	PART NUMBER
3300, 4400, 4420	New Knife Mount Channel	CYL WPH88801
4400, 4420	New Knife Mount Channel	CYL WPH88816
6600, 6620, 6622, 7700, 7720, 8820, 9400 Prior S/N 640100, 9500 Prior S/N 640200, 9600 Prior S/N 640300	New Knife Mount Channel	CYL WPH88800
9400, 9500, 9410, 9510, 9450, 9550	New Knife Mount Channel	CYL WPAH140129
9600, 9610, 9650	New Knife Mount Channel	CYL WPAH140128
9500 - (29 Req), 9600 - (35 Req)	New Straw Chopper Knife	CYL WPSCB313SBH
6600, 6620	New Knife Bar	CYL WPH88798
7700, 7720	New Knife Bar	CYL WPH88804



**FITS JOHN DEERE**

**Wide Spread Deflector Assemblies and Components**

APPLICATION	DESCRIPTION	PART NUMBER
4400, 4420	New Wide Spread Deflector Assy	CYL WPJDDA4400 <b>Components</b> CYL WPH113330 (Back 1) CYL WPAH125071 (Tail Board 1) CYL WPH114537 (RH Short Fin 3) CYL WPH114538 (LH Short Fin 3) CYL WPH138800 (Tail Support Rod Kit 1)
6600, 6620	New Wide Spread Deflector Assy	CYL WPJDDA6600 <b>Components</b> CYL WPH113331 (Back 1) CYL WPAH125072 (Tail Board 1) CYL WPH130948 (LH Long Wide Fin 1) CYL WPH130949 (RH Long Wide Fin 1) CYL WPH114535 (RH Long Narrow Fin 1) CYL WPH114536 (LH Long Narrow Fin 1) CYL WPH114537 (RH Short Fin 1) CYL WPH114538 (LH Short Fin 1) CYL WPH138800 (Tail Support Rod Kit 1)
7700, 7720	New Wide Spread Deflector Assy	CYL WPJDDA7700 <b>Components</b> CYL WPH113332 (Back 1) CYL WPAH125073 (Tail Board 1) CYL WPH130948 (LH Long Wide Fin 1) CYL WPH130949 (RH Long Wide Fin 1) CYL WPH114535 (RH Long Narrow Fin 1) CYL WPH114536 (LH Long Narrow Fin 1) CYL WPH114537 (RH Short Fin 1) CYL WPH114538 (LH Short Fin 1) CYL WPH138800 (Tail Support Rod Kit 1)
8820	New Wide Spread Deflector Assy	CYL WPJDDA8820 <b>Components</b> Tail Board 1 LH Long Wide Fin 1 RH Long Wide Fin 1 RH Long Narrow Fin 2 LH Long Narrow Fin 2 RH Short Fin 1 LH Short Fin 1 Tail Support Rod Kit 1
9400, 9500, 9410, 9510, 9450, 9550	New Wide Spread Deflector Assy OEM Standard	CYL WPJDDA9500 <b>Components</b> CYL WPAH139791 (Back 1) CYL WPAH125999 (Tail Board 1) CYL WPH130948 (LH Long Wide Fin 1) CYL WPH130949 (RH Long Wide Fin 1) CYL WPH114535 (RH Long Narrow Fin 1) CYL WPH114536 (LH Long Narrow Fin 1) CYL WPH114537 (RH Short Fin 1) CYL WPH114538 (LH Short Fin 1) CYL WPH138800 (Tail Support Rod Kit 1)
9400, 9500, 9410, 9510, 9550	New Wide Spread Deflector Assy OEM Wide	CYL WPJDDA9550 <b>Components</b> CYL WPAH144478 (Back 1) CYL WPAH125999 (Tail Board 1) CYL WPH150402 (LH Long Wide Fin 1) CYL WPH150401 (RH Long Wide Fin 1) CYL WPH150403 (RH Short Wide Fin 1) CYL WPH150404 (LH Short Wide Fin 1) CYL WPH138800 (Tail Support Rod Kit 1)



## FITS JOHN DEERE

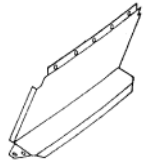
### Wide Spread Deflector Assemblies and Components (Continued)

APPLICATION	DESCRIPTION	PART NUMBER
9600, 9610, 9650	New Wide Spread Deflector Assy OEM Standard	CYL WPJDDA9600 <b>Components</b> CYL WPAH139790 (Back 1) CYL WPAH125998 (Tail Board 1) CYL WPH130948 (LH Long Wide Fin 1) CYL WPH130949 (RH Long Wide Fin 1) CYL WPH114535 (RH Long Narrow Fin 1) CYL WPH114536 (LH Long Narrow Fin 1) CYL WPH114537 (RH Short Fin 2) CYL WPH114538 (LH Short Fin 2) CYL WPH138800 (Tail Support Rod Kit 1)
9600, 9610, 9650	New Wide Spread Deflector Assy OEM Wide	CYL WPJDDA9650 <b>Components</b> CYL WPAH144477 (Back 1) CYL WPAH125998 (Tail Board 1) CYL WPH150402 (LH Long Wide Fin 2) CYL WPH150401 (RH Long Wide Fin 2) CYL WPH150403 (RH Short Wide Fin 2) CYL WPH150404 (LH Short Wide Fin 2) CYL WPH138800 (Tail Support Rod Kit 1)
6600, 6620, 7700, 7720, 9400, 9500, 9410, 9510	New Wide Spread Deflectors (fins)	CYL WPAH138803 <b>Components</b> CYL WPH130948 (LH Long Wide Fin 1) CYL WPH130949 (RH Long Wide Fin 1) CYL WPH114535 (RH Long Narrow Fin 1) CYL WPH114536 (LH Long Narrow Fin 1) CYL WPH114537 (RH Short Fin 1) CYL WPH114538 (LH Short Fin 1)
9400, 9500, 9410, 9510, 9550	New Wide Spread Deflectors (fins) OEM Wide	CYL WPX2710104 <b>Components</b> CYL WPH150402 (LH Long Wide Fin 2) CYL WPH150401 (RH Long Wide Fin 2) CYL WPH150403 (RH Short Wide Fin 1) CYL WPH150404 (LH Short Wide Fin 1)
9600, 9610, 9650	New Wide Spread Deflectors (fins) OEM Wide	CYL WPX2710101 <b>Components</b> CYL WPH130948 (LH Long Wide Fin 1) CYL WPH130949 (RH Long Wide Fin 1) CYL WPH114535 (RH Long Narrow Fin 2) CYL WPH114536 (LH Long Narrow Fin 2) CYL WPH114537 (RH Short Fin 1) CYL WPH114538 (LH Short Fin 1)
9600, 9610, 9650	New Wide Spread Deflectors (fins)	CYL WPX2710102 <b>Components</b> CYL WPH130948 (LH Long Wide Fin 1) CYL WPH130949 (RH Long Wide Fin 1) CYL WPH114535 (RH Long Narrow Fin 1) CYL WPH114536 (LH Long Narrow Fin 1) CYL WPH114537 (RH Short Fin 2) CYL WPH114538 (LH Short Fin 2)
9600	New Wide Spread Deflectors (fins)	CYL WPX2710103 <b>Components</b> CYL WPH150402 (LH Long Wide Fin 2) CYL WPH150401 (RH Long Wide Fin 2) CYL WPH150403 (RH Short Wide Fin 2) CYL WPH150404 (LH Short Wide Fin 2)

## FITS JOHN DEERE

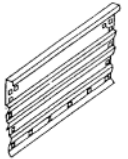
### Rear Deflector (Isolator)

APPLICATION	DESCRIPTION	PART NUMBER
4400, 4420	New Rear Deflector (Isolator), For Corn	CYL WPH85181
6620	New Rear Deflector (Isolator), For Corn	CYL WPH99507
7720	New Rear Deflector (Isolator), For Corn	CYL WPH99508
8820	New Rear Deflector (Isolator), For Corn	CYL WPH100421
9500 prior s/n 640200	New Rear Deflector (Isolator), For Corn	CYL WPH136133



### Corn Doors

APPLICATION	DESCRIPTION	PART NUMBER
4400	New Corn Door	CYL WPH85164
6620	New Corn Door	CYL WPH85165
7720	New Corn Door	CYL WPH112674
8820	New Corn Door	CYL WPH112675
9400, 9410, 9450	New Corn Door	CYL WPAH142779
9500, 9510, 9550	New Corn Door	CYL WPAH142778
9600, 9610, 9650	New Corn Door	CYL WPAH142777
All straw chopper corn doors	New Corn Door Latches	CYL WPAH86590 (Right Hand) CYL WPAH86591 (Left Hand)



### Wheat Doors

APPLICATION	DESCRIPTION	PART NUMBER
4400, 4420	New Wheat Door	CYL WPAH85663
6600, 6620	New Wheat Door	CYL WPAH85664
7700, 7720	New Wheat Door	CYL WPAH85665
8820	New Wheat Door	CYL WPAH99304



### Straw Spreaders

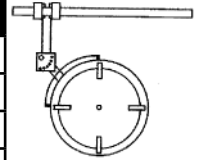
APPLICATION	DESCRIPTION	PART NUMBER
6620	New Straw Spreader Kit, Kit Includes: safety hoop, & drive assy. (does not include drive belt)	CYL SPDR-6620
7720	New Straw Spreader Kit, Kit Includes: safety hoop, & drive assy. (does not include drive belt)	CYL SPDR-7720
8820	New Straw Spreader Kit, Kit Includes: safety hoop, & drive assy. (does not include drive belt)	CYL SPDR-8820
6620	New Straw Spreader Cross Shaft	CYL WPH83799
7720	New Straw Spreader Cross Shaft	CYL WPH83800
8820	New Straw Spreader Cross Shaft	CYL WPH94028
6620, 7720, 8820	New Straw Spreader Vertical Shaft	CYL WPH27332
	New Blade, Spreader	CYL WPH76933
Single: 4400, 4420, 6600 Prior S/N 7500, 7700 Prior S/N 5000, Dual: 6600 Eff S/N 7501, 7700 Eff S/N 5001, 6620, 7720, 8820, 9400, 9500, 9600, 6410, 9510, 9610, 9450, 9550, 9650	New Gear, Bevel, 13 Tooth, 0.875" Bore. For single and dual spreaders. Replaces OE P/N H64734, H85869	CYL WPH91228
6600 Eff S/N 7501, AMH91796, 7700 Eff S/N 5001, 6620, 7720, 8820, 9400, 9500, 9600, 9410, 9510, 9610, 9450, 9550, 9650	New Gear, Bevel, 13 Tooth, 1.000" Bore. Used on dual style spreaders only. Replaces OE P/N H75406.	CYL WPH91796

## FITS JOHN DEERE

### Chaff Spreaders

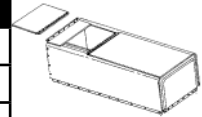
Features: Standard patented single wing arm design - spreader position is infinitely adjustable. Stainless steel front and rear shields. 39" chaff distribution area is the largest in the field. Complete with motor, hose kit, and shaker pans.

APPLICATION	DESCRIPTION	PART NUMBER
6600, 6620	New Chaff Spreader, Light Duty Axle	CYL WPEF6601JD
6620	New Chaff Spreader, Heavy Duty Adj./Rigid Axle	CYL WPEF6602JDHD
7700, 7720	New Chaff Spreader, Light Duty Axle	CYL WPEF7701JD
7720	New Chaff Spreader, Heavy Duty Adj./Rigid Axle	CYL WPEF7702JDHD
8820	New Chaff Spreader, Heavy Duty Adj./Rigid Axle	CYL WPEF8802JDHD
9400, 9410, 9500, 9510, 9600, 9610	New Chaff Spreader All Axles	CYL WPEF9601JD92
9400, 9410, 9450, 9500, 9510, 9600, 9610	Chaff Spreader Pump Drive Shaft	CYL WPH137570

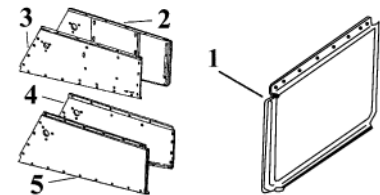


### Rear Hood

APPLICATION	DESCRIPTION	PART NUMBER
6620	New Rear Hood w/ trap door	CYL WPAH96726
7720	New Rear Hood w/ trap door	CYL WPAH108350
8820	New Rear Hood w/ trap door	CYL WPAH96354
9500	New Rear Hood	CYL WPAH142010
9600	New Rear Hood	CYL WPAH142009
9000	Series Panel Patch	CYL WPX2710105



### Rear Hood, Lower Panels

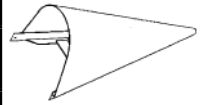


APPLICATION	DESCRIPTION	PART NUMBER
1 6620	New Lower Rear Hood Panel, SMV Decal Fits On It	CYL WPAH96736
1 7720	New Lower Rear Hood Panel, SMV Decal Fits On It	CYL WPAH96737
1 8820	New Lower Rear Hood Panel, SMV Decal Fits On It	CYL WPAH96710
6620, 7720, 8820	New Inner & Outer Lower Hood Panels Right Hand Includes: Item 2 & 3, Left Hand Includes: Item 4 & 5	CYL WPAH138721 (Right Hand) CYL WPAH138722 (Left Hand)
6620, 7720, 8820	New Inner & Outer Lower Hood Panels Item 2 & 3	CYL WPAH96728 (RH Outer) CYL WPAH96734 (RH Inner)
6620, 7720, 8820	New Inner & Outer Lower Hood Panels Item 4 & 5	CYL WPAH96729 (LH Outer) CYL WPAH96735 (LH Inner)

## FITS JOHN DEERE

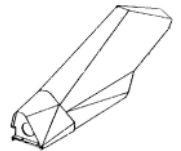
### Cornhead Snouts

APPLICATION	DESCRIPTION	PART NUMBER
40 Series	New Cornhead Snouts, Right Hand Outer Snout - Low Profile Replaces OEM P/N AH103030 & AH112118	CYL WPAH115402
40 Series	New Cornhead Snouts, Left Hand Outer Snout - Low Profile Replaces OEM P/N AH103031 & AH112119	CYL WPAH115403
40 Series, 50 & 50 A Row Crop & Forage Harvester	New Cornhead Snouts, Right Hand Outer Snout - High Profile Replaces OEM P/N AH89835	CYL WPAH109666
40 Series, 50 & 50 A Row Crop & Forage Harvester	New Cornhead Snouts, Left Hand Outer Snout - High Profile Replaces OEM P/N AH89836	CYL WPAH109667
40 Series	New Cornhead Snouts, Center Narrow Row Heads (Both Low & High Profile) Replaces OEM P/N AH105377	CYL WPAH129764
40 Series	New Cornhead Snouts, Center Wide Row Heads (Both Low & High Profile) Replaces OEM P/N AH105379	CYL WPAH129766



### Cornhead Fenders

APPLICATION	DESCRIPTION	PART NUMBER
40 Series (Prior S/N 380600)	New Cornhead Fenders, Right Hand Outer Fender - High Tin Replaces OE P/N AH82434 & AN102066	CYL WPAH82434
40 Series (Prior S/N 380600)	New Cornhead Fenders, Left Hand Outer Fender - High Tin Replaces OE P/N AH82435 & AN102067	CYL WPAH82435
40 Series (Eff S/N 380600)	New Cornhead Fenders, Right Hand Outer Fender - Low Tin Replaces OE P/N AH97796 & AH118342	CYL WPAH118342
40 Series (Eff S/N 380600)	New Cornhead Fenders, Left Hand Outer Fender - Low Tin Replaces OE P/N AH97797 & AH118343	CYL WPAH118343



### Row Crop Belts

APPLICATION	DESCRIPTION	PART NUMBER
50 Series (Early Style)	New Row Crop Belt	CYL WPAE27079
50 A Series (Late Style)	New Row Crop Belt	CYL WPAH101172



### Cornhead Components

APPLICATION	DESCRIPTION	PART NUMBER
40 Series, 90 Series	Corn Gathering Chain Sprocket 8 Teeth - 1.00" Hex	CYL WPH85252 CYL WPH85252H (Hardened)

## FITS JOHN DEERE

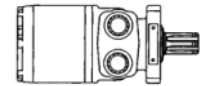
### Wobble Box and Components

APPLICATION	DESCRIPTION	PART NUMBER
200, 900 Series Head	Wobble Box Assembly	CYL WPAE41481
200, 900 Series Head	Fork	CYL WPAE38050
200, 900 Series Head	Housing	CYL WPAE46307
200, 900 Series Head	Yoke Shaft	CYL WPE60129
200, 900 Series Head	Wobble Box Shaft Nut	CYL WPE59303



### Hydraulic Reel Motor

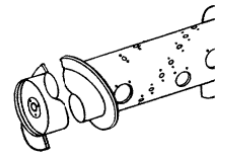
APPLICATION	DESCRIPTION	PART NUMBER
900 Series Header 918 & 920 Header	Hydraulic Reel Motor	CYL WPAH141859



### Augers - Bare Header / Platform

We can build bare header augers to fit most models of combines. These kit come in different sizes and can even be custom made to fit your application. Ask your sales representative for Availability and Pricing.

APPLICATION	DESCRIPTION	PART NUMBER
200, 900 Series	New Header Auger, 18', Bearing, For Flex Rigid Headers	CYL WPAH129260 BED SA207-22
200 Series	New Header Auger, 20', For Flex and Rigid Headers	CYL WPAH87855
200 Series	New Header Auger, 22', For Flex and Rigid Headers	CYL WPAH87857
200 Series	New Header Auger, 24', For Flex and Rigid Headers	CYL WPAH87859
915 Headers (Prior S/N 636947)	New Header Auger, 15' Bearing	CYL WPAH129335 BED SA207-22
922 Header	New Header Auger, 22', Bearing	CYL WPAH129340 BED SA207-22
925 Header	New Header Auger, 25', Bearing	CYL WPAH129341 BED SA207-22
930 Headers	New Header Auger, 30'	CYL WPAH136634

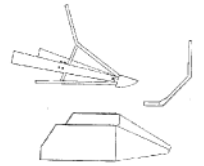




**FITS JOHN DEERE**

**Short / Long Row Crop Dividers**

APPLICATION	DESCRIPTION	PART NUMBER
200 & 900 Series Flex Heads	New Complete Set of Dividers	CYL WPSCD500JD (Short) <b>Components</b> CYL WPSCD100JD-RH (Rear Divider (Sheet Metal) 1) CYL WPSCD100JD-LH (Rear Divider (Sheet Metal) 1) CYL WPSCD300 (Bar 2) CYL WPSCD250 (New Short Divider Tip 2)
200 & 900 Series Flex Heads	New Complete Set of Dividers	CYL WPSCD400JD (Long) <b>Components</b> CYL WPSCD100JD-RH (Rear Divider (Sheet Metal) 1) CYL WPSCD100JD-LH (Rear Divider (Sheet Metal) 1) CYL WPSCD300 (Bar 2) CYL WPSCD200 (Front Wing Divider 2)
200 & 900 Series Flex Heads	New Short Divider Tip	CYL WPSCD250



**Header End Shields**

APPLICATION	DESCRIPTION	PART NUMBER
200 Series, 900 Series (Prior S/N 635101)	New Header End Shield, Right Hand For Flex or Rigid Headers	CYL WPAH88889
200 Series, 900 Series (Prior S/N 635101)	New Header End Shield, Left Hand For Flex or Rigid Headers	CYL WPAH113432
900 Series S//N 635101-655300	New Header End Shield, Right Hand For Flex or Rigid Headers	CYL WPAH129286
900 Series S/N 635101-655300	New Header End Shield, Left Hand For Flex or Rigid Headers	CYL WPAH129262
200 Series	Reel Drive Shield	CYL WPAH95481



**Poly Skid Plate Kits**

APPLICATION	DESCRIPTION	PART NUMBER
200 Series	New Poly Skid Plate Kit, 16' Header	CYL WPCS16JD
200 Series	New Poly Skid Plate Kit, 18' Header	CYL WPCS18JD
200 Series	New Poly Skid Plate Kit, 20' Header	CYL WPCS20JD
200 Series	New Poly Skid Plate Kit, 22' Header	CYL WPCS22JD
200 Series	New Poly Skid Plate Kit, 24' Header	CYL WPCS24JD
900 Series	New Poly Skid Plate Kit, 18' Header	CYL WPCS18JD9
900 Series	New Poly Skid Plate Kit, 20' Header	CYL WPCS20JD9
900 Series	New Poly Skid Plate Kit, 22' Header	CYL WPCS22JD9
900 Series	New Poly Skid Plate Kit, 25' Header	CYL WPCS25JD9
900 Series	New Poly Skid Plate Kit, 30' Header	CYL WPCS30JD9

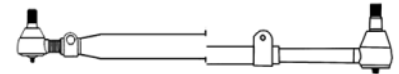
## FITS JOHN DEERE

### Rear Axle Center Tubes and Stabilizer Kits

APPLICATION	DESCRIPTION	PART NUMBER
Units with light duty rear axle: 4400, 6600, 7700, 6620, 7720	New Center Tube 50" Long	CYL WPAH87545-50
Units with light duty rear axle: 7700, 6620, 7720	New Center Tube 80" Long (Must also purchase P/N CYL WPAH87545-ST)	CYL WPAH87545-80
Units with light duty rear axle: 7700, 6620, 7720	New Center Tube 104" Long (Must also purchase P/N CYL WPAH87545-ST)	CYL WPAH87545-104
Units with light duty rear axle: 7700, 6620, 7720	New Stabilizer Kit. Kit includes: (2) Stabilizer Arms, (2) Center Tube Mounting Brackets, (2) Axle Mounting Brackets and mounting hardware.	CYL WPAH87545-ST

### Tie Rods - Combines

This line of Agricultural Tie-Rods meets the highest quality standards without high prices. These tie-rods are designed to meet or exceed the OEM specifications.



APPLICATION	DESCRIPTION	PART NUMBER
9400, 9410, 9450, 9500, 9510, 9540, 9550, 9580, 9600, 9610, 9640, 9650, 9660, 9680, 9780CTS	New Tie Rod 5.875" Long, 1.125" Dia. RH Thread	CYL WPRE12325
9400, 9410, 9450, 9500, 9510, 9540, 9550, 9580, 9600, 9610, 9640, 9650, 9660, 9680, 9780CTS	New Tie Rod 5.875" Long, 1.125" Dia. LH Thread	CYL WPRE12326

### Spindles - Combine

Spindle forgings are made of high grades of alloy steel and assembled to exact designed specifications. All spindles are designed to meet or exceed OEM specifications.



APPLICATION	DESCRIPTION	PART NUMBER
Units w/ Regular Duty Axle: 6600 Eff. s/n 254051, 6620, 7700, 7720	New Spindle, Right Hand Replaces: AH75483 Inner Bearing - 1.875" Outer Bearing - 1.500"	CYL WPAH87540
Units w/ Regular Duty Axle: 6600 Eff. s/n 254051, 6620, 7700, 7720	New Spindle, Right Hand Units w/ dual steering cylinder Inner Bearing - 1.875" Outer Bearing - 1.500"	CYL WPAH105796
Units w/ Regular Duty Axle: 6600 Eff. s/n 254051, 6620, 7700, 7720	New Spindle, Left Hand Replaces: AH75482 Inner Bearing - 1.875" Outer Bearing - 1.500"	CYL WPAH87542
Units w/ Heavy Duty Axle: 6620, 7720, 8820	New Spindle, Left Hand	CYL WPAH94018
Units w/ Heavy Duty Axle: 6620, 7720, 8820	New Spindle, Right Hand	CYL WPAH94019
9400, 9410, 9500, 9510, 9600, New Spindle, 9610, CTS, CTS II	New Spindle Bushing	CYL WPAH125654 (Left Hand) CYL WPAH125655 (Right Hand) CYL WPH158884
9400, 9410, 9500, 9510, 9600, 9610, CTS, CTS II	Spindle Housing	CYL WPAH156821

### Wheel Hubs and Components - Combine

APPLICATION	DESCRIPTION	PART NUMBER
(6620, 7720, 8820)- w/HD Axle, 9400, 9410, 9500, 9510, 9600, 9610, CTS, CTSII	New Wheel Hub	CYL WPH94814



**FITS JOHN DEERE**

**Combine Condenser Application Guide**

MODEL	OEM NO.	NOTES	PART NO.
9450	AH149618	Condenser only; w/o fuel cooler & oil cooler	TRP 400-611
9500	AH149618	Condenser only; w/o oil cooler	TRP 400-611
9510	AH149618	Condenser only; w/o fuel cooler & oil cooler	TRP 400-611
9510SH (Side Hill)	AH149618	Condenser only; w/o fuel cooler & oil cooler	TRP 400-611
9550	AH149618	Condenser only; w/o fuel cooler & oil cooler	TRP 400-611
9550SH (Side Hill)	AH149618	Condenser only; w/o fuel cooler & oil cooler	TRP 400-611
9600	AH149618	Condenser only; w/o oil cooler	TRP 400-611
9610	AH149618	Condenser only; w/o fuel cooler & oil cooler	TRP 400-611
9650	AH149618	Condenser only; w/o fuel cooler & oil cooler	TRP 400-611
9750	AH149618	Condenser only; w/o fuel cooler & oil cooler	TRP 400-611
9976	AH149618, AH140471	Condenser only; w/o fuel cooler & oil cooler	TRP 400-611
CTS	AH149618	Condenser only; w/o fuel cooler & oil cooler	TRP 400-611
STS	AH149618	Condenser only; w/o fuel cooler & oil cooler	TRP 400-611
4425	AH87966	-	TRP 400-613
6600	AH87966	1975 & After	TRP 400-613
6620	AH87966	-	TRP 400-613
6622	AH87966	-	TRP 400-613
7700	AH87966	1975 & After	TRP 400-613
7720	AH87966	-	TRP 400-613
7722	AH87966	-	TRP 400-613
8820	AH87966	-	TRP 400-613
9400	AH149618	Condenser only; w/o oil cooler	TRP 400-611
9410	AH149618	Condenser only; w/o fuel cooler & oil cooler	TRP 400-611

## FITS JOHN DEERE

### Combine Condenser Illustration Guide

#### John Deere Combine TRP 400-611

9400, 9410, 9450, 9500,  
9510, 9510SH, 9550,  
9550SH, 9600, 9610, 9650,  
9750, 9976, CTS, STS

OE# AH149618



#### John Deere/Forage/Swather TRP 400-613

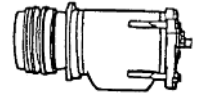
4425, 6600-Late, 6620,  
6622, 7700-Late, 7720,  
7722, 8820, 5440, 5460,  
5720, 5730, 5820, 5830,  
2250-Late, 2270-Late, 2280

OE# AH87966



### Air Conditioners and Components - Combine

APPLICATION	DESCRIPTION	PART NUMBER
Combine: 6600, 6620, 7700, 7720, Cotton Picker: 9940 Forage Harvester: 5200, 5400, 5440, 5460, 5720	Conversion Kit A6 to Seltec	CYL WPX10164
9640	Conversion Kit, A6 to Seltec	CYL WPX10168
Combine: (3300, 4400)-(75->), 4420 Prior S/N 610100, (6600, 7700)-(75->), (6620, 6622 7720, 7722) - All Prior S/N 600000, 8820 Prior S/N615400 Cotton Picker: 9900, 9910, 9940, 9920 Prior S/N 380 Swather: 2250, 2270, 2280, 2320, 2420	New A6 Compressor 12 Volt, 10 o'clock Superheat Com- pressor (Must use Original Manifold)	CYL WPX10142
4420 Eff. S/N 610101, 4425, 4435, (6620, 6622, 7720, 7722)- Eff. S/N 600001, 8820 Eff. S/N 615401, 9400 Prior S/N 650100, 9500 Prior S/N 653500, 9600 Prior S/N 650300 Cotton Stripper: 7440 Eff. S/N 001001, 7445 Prior S/N 16000 Cotton Picker: 9920 Eff S/N 381, 9930 Eff. S/N 14000, 9950, 9960 Swather: 3430 Prior S/N 985000, 3830 Prior S/N 978856	New FS6 Compressor w/ New Clutch (Must use Original Manifold)	CYL WPX10143
Combine: 9400 Eff. S/N 650101, 9500 Eff. S/N 653501, 9600 Eff. S/N 650301, CTS Eff. S/N 650401, Cotton Stripper: 7455 Cotton Picker: 9930 Eff. S/N 14001	New Nippondenso Compressor Single Groove Clutch (Must use Original Manifold) RE46657, TY6765	CYL WPX10141
Combine: 9410, 9450, 9510, 9550, 9610, 9650 Swather: 3430 Eff. S/N 985001, 3830 Eff. S/N 978857, 4890 Cotton Picker: 7450, 9965 Eff. S/N 2001, 9970, 9976	New Nippondenso Compressor 8 Groove Clutch (Must use Original Manifold) RE46609, TY6764, TY24304, RE69716	CYL WPX10139
Swather: 2360	New Sanden Compressor 5 1/4" 2-Groove Clutch Vertical 8 & 10 Flare w/R12 Charge Parts, AW23886	CYL WPX10126
Swather: 3430 Eff. S/N 985001, 3830 Eff. S/N 978857, Cotton Stripper: 7445 Eff. S/N 16001, 7450, Cotton Picker: 9970, 9976, 9965 Eff. S/N 2001	New Nippondenso Compressor Single Groove Clutch (Must use Original Manifold) RE52454, RE55422, TY6784	CYL WPX10137



**FITS JOHN DEERE**

**Air Conditioners and Components - Combine (Continued)**

APPLICATION	DESCRIPTION	PART NUMBER
Combine: 3300, 4400, 6600, 7700 Cotton Picker: 9900	Remanufactured York Compressor, RH Suction Flange, Clutch Not Included, TY6788, AH84826	CYL WPX10176
Combine: (3300, 4400, 6600, 7700- all 75-'), (6600, 6622, 7720, 7722- all Prior S/N 600000), 8820 Eff. S/N 615401, 9920 Prior S/N 380, 9930 Eff S/N 14001, 9940 Swather: 2250, 2270, 2280, 2320, 2420 Forage Harvester: 5440, 5460 (5720, 5820- S/N 550001- 680000) Cotton Picker: 9940, 9910, 9920 Eff. S/N 380	Remanufactured Frigidaire A-6 Compressor w/ Pulley	CYL WP50-014
Combine: 4425, 6620 Eff. S/N 600000, (7720, 7722- Eff. S/N 600001), 8820 Eff. S/N 615401, 9400 Prior S/N 650100, (9500, 9600- Prior S/N 6503500), CST Prior S/N 650400 Forage Harvester: 5720, 5820- Eff. S/N 680001, 5730, 5830 Picker: 7445 Eff. S/N 16000, 9920 Eff. S/N 381, 9930 Prior S/N 14000, 9960, 9965 Prior S/N 2000 Swather: 3430 Prior S/N 985000, 3830 Prior S/N 978856	Remanufactured Nippendeso Compressor w/Clutch & Pulley	CYL WP64-024
Combine: 4425, 4435, 6620, 6622, 7720, 7722, 8820 Cotton Stripper: 7440, 7445, 7450, 7455 Cotton Picker: 9920, 9930, 9935, 9940, 9950, 9960, 9965, 9970, 9976 Swather: 2320, 2420, 3430, 3830 Forage Harvester: 5720, 5730, 5820, 5830	Expansion Valve O-Ring Replaces: AL37525, RE13886, AH140818, AR58482	CYL WPX10145
Combine: CTS, 9400, 9410, 9450, 9500, 9510, 9550, 9600, 9610, 9650 Swather: 4890	Expansion Valve Block Type Replaces: AH122867, AH137702	CYL WPX10150
Swather: 2360	Expansion Valve, O-Ring, Replaces: CMX30213, AW23878	CYL WPX10148
Combine: 3300, 4400, 4420, 6600, 6620, 6622, 7700, 7720, 8820 Cotton Stripper: 7440, 7445, 7450, 7455 Cotton Picker: 9900 Stopler Cab, 9910, 9920, 9930, 9935	Receiver Drier O-Ring Replaces: AL77581, AR74486, RE49169, AR59780	CYL WPX10154
Combine: 4425, 6620, 6620 Titan II, 6622, 7720, 7720 Titan II, 7722, 8820, 8820 Titan II, 9400, 9410, 9450, 9500, 9510, 9550, 9600, 9610, 9650 Cotton Picker: 9940, 9950, 9960, 99650, 9970, 9976	Receiver Drier O-Ring Replaces: AT162848, AT125596	CYL WPX10156
Combine: 9400, 9410, 9450, 9500, 9510, 9550, 9560, 9600, 9610, 9650, 9650STS, 9660, 9660CTS, 9660STS, 9750STS, 9760STS, 9860CTS, CTS, CTS II Forage Harvester: 7200, 7300, 7400, 7500, 7700, 7800, Swather: 4895, 4990, 4995	Pressurizer Motor Single Speed, Single Shaft, 2-wire, Clockwise, Shaft Dia. 5/16", 1 3/8" Lng.	CYL WPAH167731
Combine: 9400, 9410, 9450, 9500, 9510, 9550, 9600, 9610, 9650 Swather: 4890, 4895, 4990, 4995	Evaporator Heater Motor Single Speed, Single Shaft, 2-wire, Counter-Clockwise, Shaft- Dia. 5/16", 1 9/16" Lng.	CYL WPAH128926
3300, 4400, 4420, 6600 71-74, 7700	Blower Motor 3-Speed, Double Shaft, 4-wire, Reversible, Shaft- Dia. 3/8", 4 1/4" Lng.	CYL WPAH80194
Combine: 4425, 6620, 6622, 7720, 7722, 8820 Swather: 2320, 2420, 3430, 3830 Cotton Pickers: 9910, 9920, 9930, 9940, 9960, 9965	Blower Motor Single Speed, Double Shaft, 2-wire, Reversible, Shaft- Dia. 3/8", 5" Lng.	CYL WPRE25160
4425 S/N 017001->, 4435	Blower Motor	CYL WPAL39043

## FITS JOHN DEERE

### Air Conditioners and Components - Combine (Continued)

APPLICATION	DESCRIPTION	PART NUMBER
Combine: 3300, 4400, 6600, 7700, 9900 Forage Harvester: 5200, 5400	Blower Motor, Single Speed, Single Shaft, 2-wire, Reversible, Shaft- Dia. $\frac{5}{16}$ " , 1 $\frac{1}{2}$ " Lng., Replaces: AH84394	CYL WPAH88519
Combine: 9410, 9450, 9510, 9550, 9610, 9650, CTS Cotton Picker: 7455, 9935	Clutch and Pulley, 10PA17C Clutch w/ 12V Coil 5.70" 8 Groove Pulley	CYL WPRE52508
Combine: 9965 Swather: 3430, 3830	Clutch and Pulley, 10PA17C Clutch w/ 12V Coil 5.74" Single Groove Pulley	CYL WPRE58348
Combine: 3300, 4400, 4420, 6600, 7700 Swather: 2250, 2270, 2280 Forage Harvester: 5200, 5400, 5440, 5460	Expansion Valve Flare Replaces: AH80191, AH144896	CYL WPX10146

### Combine Evaporator Application Guide

MODEL	OEM NO.	NOTES	PART NO.
4425	AR88076	High Efficiency Evaporator; with heater; SN 013221 & Before	TRP 590-4020
4435	AR88076	High Efficiency Evaporator; with heater	TRP 590-4020
6620	AR88076	High Efficiency Evaporator; with heater	TRP 590-4020
6622	AR88076	High Efficiency Evaporator; with heater	TRP 590-4020
7720	AR88076	High Efficiency Evaporator; with heater	TRP 590-4020
7722	AR88076	High Efficiency Evaporator; with heater	TRP 590-4020
8820	AR88076	High Efficiency Evaporator; with heater	TRP 590-4020

### FITS JOHN DEERE/Combine/Forage Harvester/Swather/Windrower TRP 590-4020

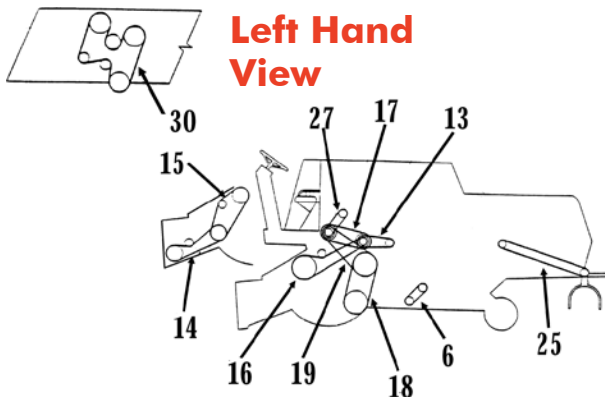
2320, 2420, 3430, 3830, 4030, 4040, 4050, 4055,  
4230, 4240, 4250, 4255, 4425-Early, 4435, 4430,  
4440, 4450, 4455, 4555, 4560, 4630, 4640, 4650,  
4755, 4760, 4840, 4850, 4955, 4960, 5720, 5730,  
5820, 5830, 6620, 6622, 7720, 7722, 8820, 7440,  
7445, 7450, 7455, 8430, 8440, 8450, 8630, 8640,  
8650, 8850, 9920, 9930, 9935, 9940, 9950, 9960,  
9965, 9970, 9976



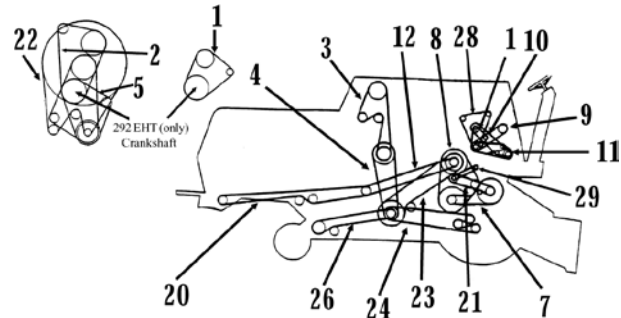
OE# AR88076

**FITS JOHN DEERE**

**Belt - 3300, 4400**



**Left Hand View**



**Right Hand View**

NUMBER	APPLICATION	DESCRIPTION	PART NUMBER
1	4400	Alternator & Water Pump 292 Gas	CYL WPH30634
1	4400 (Prior S/N202603)	Alternator & Water Pump 329Dh-02	CYL WPH80896
2	4400 (Eff S/N202604)	Alternator & Water Pump 329Dh-02&03	CYL WPH82724
3	3300, 4400 (Prior S/N151500)	Clean Grain Elv, U-Joint Loading Auger	BEV C100
3	3300, 4400 (Eff S/N151501)	Clean Grain Elevator	BEV C106
4	3300, 4400	Clean Grain Elevator Countershaft	BEV C88
5	4400 (Eff S/N101301)	Engine Fan And Rotary Screen Drive Shaft	CYL WPH86275
6	3300, 4400	Cleaning Fan	BEL HJ59.5
7	3300 (S/N100001-101300)	Compressor, A/C	CYL WPH63772
7	4400 (S/N101301-151500)	Compressor, A/C 329 Diesel	CYL WPH77683
7	3300, 4400 GAS (Prior S/N151500), 4400 DIESEL (Prior S/N101300)	Compressor, A/C 292	CYL WPH80896
7	3300 (Prior S/N100000)	Compressor, A/C	CYL WPH81742
7	3300 (Eff S/N150001)	Compressor, A/C	CYL WPH86273
7	4400 (S/N101301-151500)	Compressor, A/C 6329DH-01	CYL WPH86275
8	3300, 4400	Cylinder Intermediate Shaft	BEV QPH75816
9	3300, 4400	Cylinder	BEV B89 (3 Required)
10	3300, 4400 (Prior S/N101300)	Engine Fan	CYL WPH79236
10	3300, 4400 (Prior S/N250500)	Engine Fan, Cab w/ A/C	CYL WPH86271
11	3300, 4400 (Prior S/N101300)	Engine Fan Countershaft	CYL WPH79235
12	3300, 4400	Front Straw Chopper	BEV C112
13	3300, 4400	Hydrostatic Reel Pump	CYL WPH77683
14	4400	Platform And Corn Head	BEV C78 (3 Required)
14	4400	Platform And Corn Head Lower Variable	BEV B62 (3 Required)
15	4400	Platform And Corn Head Middle Variable	BEV QPP46553
16	3300, 4400	Platform And Feeder House Upper	BEV D128
17	3300, 4400	Primary Countershaft	BEV C82 (2 Required)
18	3300	Propulsion, Lower	BEL HK104.5
18	4400	Propulsion, Lower (Belt Drive)	BEV QPH75847





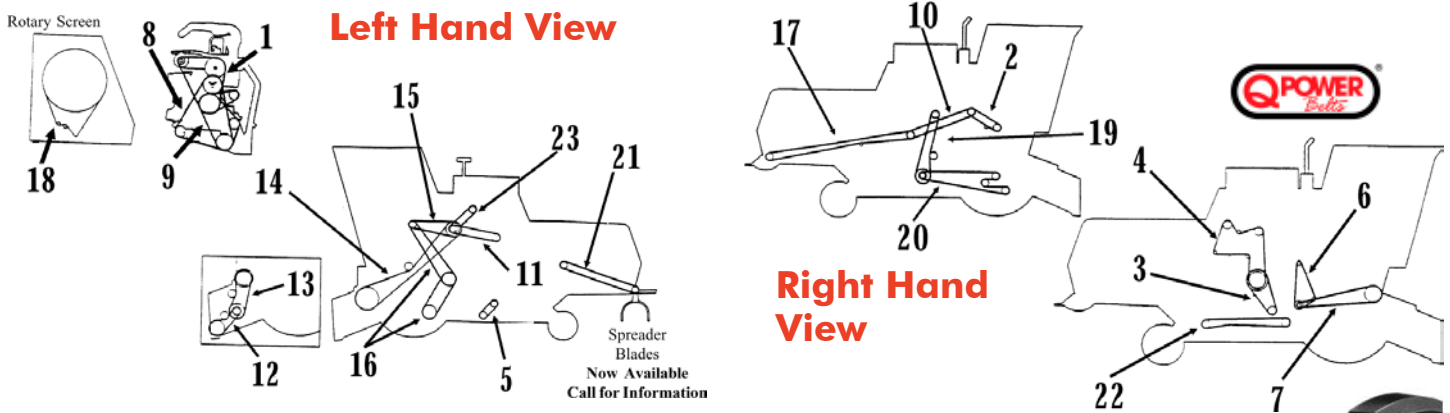
## FITS JOHN DEERE

### Belt - 3300, 4400 (Continued)

19	3300	Propulsion, Upper	BEL HK104.5
19	4400	Propulsion, Upper	BEV QPH75847
20	3300, 4400	Rear Straw Chopper	BEV C210
21	3300, 4400 (Eff S/N101301)	Rotary Deflector	BEV A68
21	3300, 4400 (Prior S/N101300)	Rotary Deflector	BEV A70
22	3300 (Eff S/N100001), 4400	Rotary Screen	BEV 1000H8
23	3300, 4400	Secondary Countershaft	CYL WPH138762
24	3300, 4400	Shoe Grain Supply Augers	BEV B136
25	3300, 4400	Straw Spreader	BEV B110
26	3300, 4400	Tailings Lower Auger	BEV C108
27	3300, 4400	Unloading Auger Countershaft	BEV C57
28	4400	Governor	CYL WPH82479
28	3300	Alternator & Water Pump	CYL WPH80897
29	3300 (Prior S/N 2351), 4400(Prior S/N 4286)	Cylinder Tachometer	CYL WPH83078
30	4400 (Eff S/N151501), 4420	Clean Grain Elev. & Loading Auger Ext	BEV C148

**FITS JOHN DEERE**

**Belt - 4420**



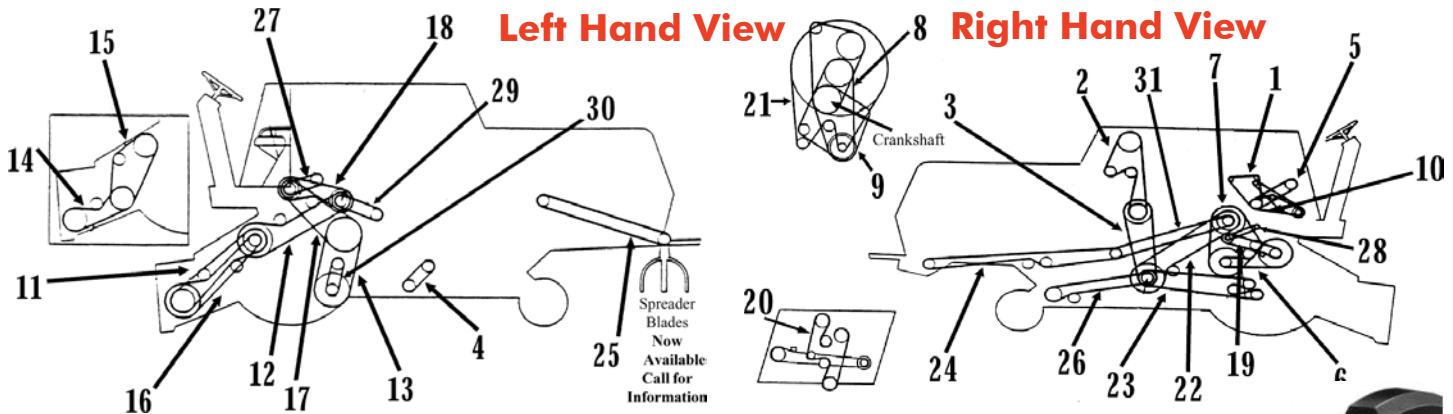
Q Power® Belts, when you can't stop, you need the belt that won't stop. American made Q Power® Belts belts are designed to keep you and your equipment in the field. No matter what the crop... beans to corn, no matter what the conditions ... muddy to dry. Q Power® Belts keeps you running. No other belt can stand up to the demand of your equipment and your schedule better than Q Power® Belts.



NUMBER	APPLICATION	DESCRIPTION	PART NUMBER
1	4420 (Prior S/N 550000)	Alternator & Water Pump	CYL WPH82724
1	4420 (Eff S/N 550001)	Alternator & Waterpump	CYL WPH101813
2	4420	Beater (150 Percent Beater Speed)	BEV A64
2	4420	Beater (100 Percent Beater Speed)	BEV A68
3	4420	Clean Grain Elevator Countershaft	BEV C88
4	4420	Clean Grain Elev. & Loading Auger	BEV C148
5	4420	Cleaning Fan	BEL HJ59.5
6	4420	Cylinder Intermediate Shaft	BEV QPH75816
7	4420	Cylinder	BEV B89 (3 Required)
8	4420	Engine Fan (Cab w/o A/C)	CYL WPH86271
8	4420	Engine Fan (Cab w/ A/C)	CYL WPH94373
9	4420	Engine Fan & Rotary Screen Drive Shaft	CYL WPH86275
10	4420	Front Straw Chopper	BEV C112
11	4420	Hydrostatic Reel Pump	CYL WPH77683
12	4420	Platform Rice, Grain, Long Corn, Vari	BEV C78 (3 Required)
12	4420	Platform & Corn Head, Lower Variable	BEV B62 (3 Required)
13	4420	Platform & Corn Head Middle Variable	BEV QPP46553
14	4420	Platform & Feeder House Upper	BEV D128
15	4420	Primary Countershaft	BEV C82 (2 Required)
16	4420	Propulsion (Belt Drive)	BEV QPH75847
17	4420	Rear Straw Chopper	BEV C210
18	4420	Rotary Screen	BEV 1000H8
19	4420	Secondary Countershaft	CYL WPH138762
20	4420	Shoe Grain Supply Augers	BEV B136
21	4420	Straw Spreader	BEV B110
22	4420	Tailings Lower Auger	BEV C108
23	4420	Unloading Auger Countershaft	BEV C57

## FITS JOHN DEERE

## Belt - 6600



Q Power® Belts, when you can't stop, you need the belt that won't stop. American made Q Power® Belts belts are designed to keep you and your equipment in the field. No matter what the crop... beans to corn, no matter what the conditions ... muddy to dry. Q Power® Belts keeps you running. No other belt can stand up to the demand of your equipment and your schedule better than Q Power® Belts.



NUMBER	APPLICATION	DESCRIPTION	PART NUMBER
1	6600 6329GH-02 (Prior S/N 156500), 6600, 6329DH-01 (Prior S/N 208510)	Alternator & Water Pump	CYL WPH80896
1	6600 (329DH-01) (Eff S/N 208511)	Alternator & Water Pump	BEV C119
2	6600	U-Joint Loading Auger	BEV QPH23950
3	6600	Clean Grain Elevator Countershaft	CYL WPH27433
4	6600	Cleaning Fan	BEV QPH108668
5	6600 (Prior S/N 105800)	Compressor, A/C	CYL WPH80896
5	6600 Sidehill 6404DT (Prior S/N 305672)	Compressor, A/C	CYL WPH87459
5	6600 Sidehill 6404TH (Eff S/N 305673)	Compressor, A/C	CYL WPR71603
6	6600	Cylinder 407-828 RPM	BEV B102
6	6600	Cylinder 280-845 RPM	BEV B97 (3 Required)
6	6600	Cylinder 287-873 RPM Slow Speed	BEV 2RB97
7	6600	Cylinder, Intermediate Shaft	BEV QPH113749
8	6600 (Prior S/N105800)	Engine Fan 6404DH	CYL WPH86271
8	6600	Engine Fan 6329GH-02 & 6329DH-01	CYL WPH86272
9	6600 Sidehill (Prior S/N 305672), 6600 6404DH	Engine Fan & Rotary Screen Drive Shaft	CYL WPH137207
9	6600 6329GH-02 (Prior S/N 156500) 6329GH-01	Engine Fan & Rotary Screen Drive Shaft	CYL WPH86274
10	6600 6329GH-02 & 6404DH-01 (Prior S/N 105800)	Engine Fan Countershaft	CYL WPH79235
11	6600 (S/N 7720-403300)	Feeder Conveyor (Long Feeder House)	CYL WPH125380
11	6600 (Eff S/N 156501)	Feeder Conveyor (Regular Feeder House)	BEV C153
12	6600 (Eff S/N 254501)	Platform & Feeder House Vari-Spd Upper	BEV D122
12	6600 (Prior S/N 254040) (Exc Vari-Spd) (Eff S/N254051)	Platform & Feeder House Upper	BEV D119
13	6600 (Eff S/N 156501)	Propulsion Hydrostatic Drive Lower	BEV D101
13	6600 (Eff S/N 156501)	Propulsion Hydrostatic Drive Lower	BEV E99
13	6600	Propulsion Posi-Torque Lower	BEV QPH75846
13	6600	Propulsion Belt Drive Lower	BEV QPH75847

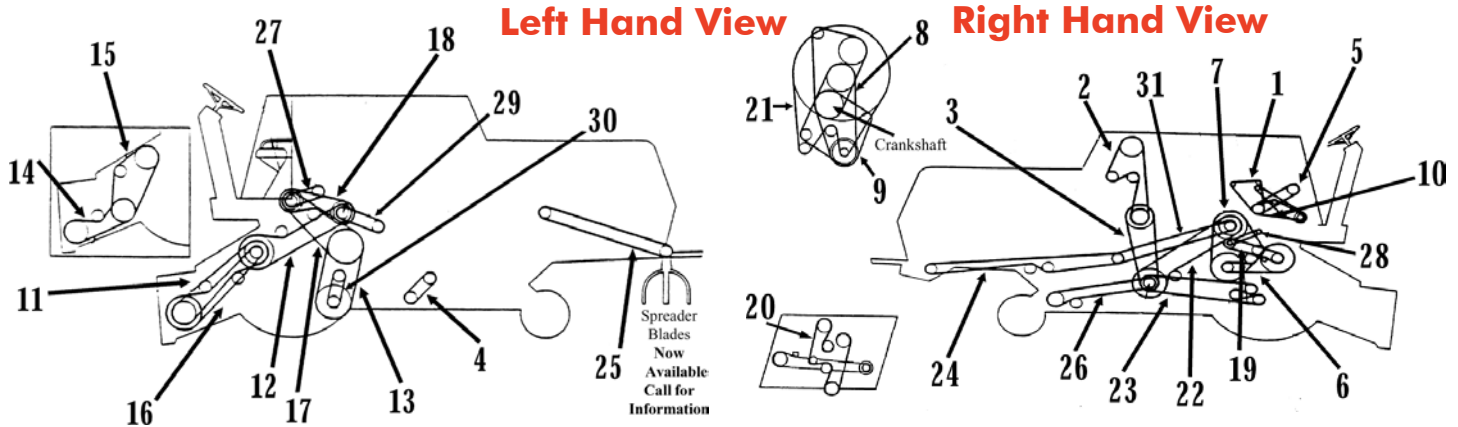
# FITS JOHN DEERE

## Belt - 6600 (Continued)

NUMBER	APPLICATION	DESCRIPTION	PART NUMBER
14	6600	Platform & Corn Head	BEV C78 ( 3 Required)
14	6600	Sidehill Platform & Corn Head Lower Variable	BEV C83 (3 Required)
15	6600 (Eff S/N 254351)	Platform & Corn Head Middle Variable	BEV QPH84441
15	6600 (Prior S/N 254350)	Platform & Corn Head Middle Variable	BEV QPP46553
16	6600	Platform & Fdr House Lower Regular	BEV D151
16	6600	Platform & Fdr House Lower Long	BEV D188
17	6600 (Eff S/N 156501)	Propulsion Hydrostatic Drive Upper	BEV D101
17	6600 (Prior S/N 156500)	Propulsion Hydrostatic Drive Upper	BEV E99
17	6600, 6600 Sidehill (Prior S/N 305672)	Propulsion Posi Torque Upper	BEV D107.5
17	6600 Sidehill (Eff S/N 305673)	Propulsion Posi Torque Upper	BEV D110.5
17	6600	Propulsion Belt Drive Upper	BEV QPH75847
18	6600 (Prior S/N 11500)	Primary Countershaft	BEV D81.5
18	6600 Sidehill (Prior S/N 305672), 6600 (Eff S/N 11501)	Primary Countershaft	BEV 3RC85
18	6600 Sidehill (Eff S/N 305673)	Primary Countershaft	BEV QPH108175
19	6600 (Eff S/N 105801)	Rotary Deflector	BEV A68
19	6600 (Prior S/N 105800)	Rotary Deflector	BEV A74
20	6600	Clean Grain Elevator	BEV C153
21	6600	Rotary Screen	BEV 1000H8
22	6600	Secondary Countershaft	BEV D137
23	6600	Shoe Grain Supply Augers	BEV C175
24	6600	Straw Chopper, Rear	BEV C225
25	6600	Straw Spreader	BEV B142
26	6600 (Eff S/N 5001)	Tailings Lower Auger	BEV C128
27	6600 Sidehill (Prior S/N 305672)	Unloading Auger Countershaft	BEV C61
27	6600 Sidehill (Eff S/N 305673)	Unloading Auger Countershaft	BEV D62
28	6600	Cylinder Tachometer	CYL WPH83077
29	6600	Hydrostatic Reel Pump	CYL WPH77683
30	6600 (Prior S/N 9582)	Charge Pump, Hydrostatic Drive	CYL WPT12042
30	6600 (Prior S/N 9583)	Charge Pump, Hydrostatic Drive	CYL WPT199T
31	6600	Strawchopper	CYL WPH138762

## FITS JOHN DEERE

## Belt - 7700



NUMBER	APPLICATION	DESCRIPTION	PART NUMBER
1	7700 (Eff S/N 2801)	Alternator & Water Pump (Gas)	CYL WPH80896
1	7700 (S/N 2801-8000)	Alternator & Waterpump (Diesel)	CYL WPH82724
1	7700 (Prior S/N 2800)	Alternator & Waterpump, (Diesel)	CYL WPAR41576
1	7700 (Eff S/N 2801)	Alternator & Waterpump 404DH-04	CYL WPR52507
1	7700 (S/N 8001-163900)	Alternator & Waterpump 404TH-01	CYL WPR70871
1	7700 (Eff S/N 163901)	Alternator & Waterpump 404TH-01	CYL WPH79236
2	7700	Clean Grain Elevator (U-Jnt Ldng Auger)	BEV QPH23950
3	7700	Clean Grain Elevator Countershaft	BEV C86
4	7700	Cleaning Fan	BEV QPH108668
5	7700 404TH-01 (S/N 8001-163900)	Compressor, A/C	CYL WPH80896
5	7700 404DH-04 (Eff S/N 163901)	Compressor, A/C	CYL WPH87459
5	7700 404TH-01 (Eff S/N 163901)	Compressor, A/C	CYL WPR71603
5	7700 Gas (Prior S/N 111900) 404DH-01 (Prior S/N 8000)	Compressor, A/C	CYL WPH80897
6	7700 (Prior S/N 8000)	Cylinder 407-1228 RPM	BEV B102
6	7700 (Prior S/N 8000)	Cylinder 280-845 RPM	BEV B97 (3 Required)
6	7700 (Eff S/N 8001)	Cylinder 287-873 RPM	BEV 3RB97
6	7700 (Eff S/N 8001)	Cylinder 414-1250 RPM	BEV QPH96408
7	7700	Cylinder, Intermediate Shaft	BEV QPH113749
8	7700	Engine Fan	CYL WPH86271
9	7700 404DH-04	Engine Fan & Rotary Screen Drive Shaft	CYL WPH137207
9	7700 404TH-01	Engine Fan & Rotary Screen Drive Shaft	CYL WPH86273
10	7700 404DH-01 (Prior S/N 2800)	Engine Fan Countershaft	CYL WPH79235
10	7700 404TH-01 (S/N 8001-111900)	Engine Fan Countershaft	BEV A60
11	7700	Feeder Conveyor (Long Feeder House)	CYL WPH125380
11	7700	Feeder Conveyor (Regular Feeder House)	BEV C153
12	7700 (Eff S/N 8001)	Platform & Feeder House Vari-Spd Upper	BEV D122
12	7700 (Prior S/N 8000) (Exc Vari-Spd) (Eff S/N 8001)	Platform & Feeder House Upper	BEV D119

**FITS JOHN DEERE**

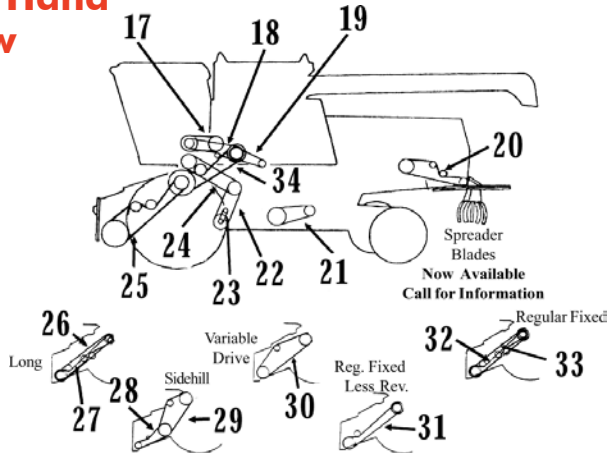
**Belt - 7700 (Continued)**

NUMBER	APPLICATION	DESCRIPTION	PART NUMBER
13	7700	Propulsion Hydrostatic Drive Lower	BEV D101
13	7700 (Eff S/N 111901)	Propulsion Posi-Torque Lower	BEV QPH75846
13	7700 (Prior S/N 115000)	Propulsion Belt Drive Drive Lower	BEV QPH75846
14	7700	Platform And Corn Head	BEV C78 (3 Required)
15	7700 (Eff S/N 8001)	Platform And Corn Head Middle Vari	BEV QPH84441
15	7700 (Prior S/N 8000)	Platform And Corn Head Middle Vari	BEV QPP46553
16	7700	Platform & Fdr House Lower Regular	BEV D151
16	7700	Platform & Fdr House Lower Long	BEV D188
17	7700	Propulsion Hydrostatic Drive Upper	BEV D101
17	7700 (Eff S/N 111901) 404T	Propulsion Posi Torque Upper	BEV D110.5
17	7700 (Eff S/N 111901) 404D	Propulsion Posi Torque Upper	BEV D107.5
17	7700 (Prior S/N 115000)	Propulsion Belt Drive Upper	BEV QPH75846
18	7700 (Prior S/N 5000)	Primary Countershaft	BEV D86.5
18	7700 362GH-01, 404DH-01 & 04 (Eff S/N 5001)	Primary Countershaft	BEV 3RC85
18	7700 404TH-01 (Eff S/N 8001)	Primary Countershaft	BEV QPH108175
19	7700 (Eff S/N 111901)	Rotary Deflector	BEV A68
19	7700(S/N 1278-111900)	Rotary Deflector	BEV A74
20	7700	Clean Grain Elevator	BEV C153
21	7700	Rotary Screen	BEV 1000H8
22	7700	Secondary Countershaft	BEV D137
23	7700	Shoe Grain Supply Augers	BEV C175
24	7700	Straw Chopper, Rear	BEV C225
25	7700	Straw Spreader	BEV B142
26	7700	Tailings Lower Auger	BEV C128
27	7700 362GH-01, 404DH-01 & 04 (Eff S/N 8001)	Unloading Auger Countershaft	BEV C61
27	7700 404TH-01 (Eff S/N 8001)	Unloading Auger Countershaft	BEV D62
28	7700	Cylinder Tachometer	CYL WPH83077
29	7700	Hydrostatic Reel Pump	CYL WPH77683
30	7700 (Prior S/N 6207)	Charge Pump, Hydrostatic Drive	CYL WPT12042
30	7700 Hyd Drv (Eff S/N 6208), Pwr Drv (Prior S/N 6207)	Charge Pump, Hyd Drv & Pwr Rr Whl Drv	CYL WPT199T
31	7700	Strawchopper	CYL WPH138762

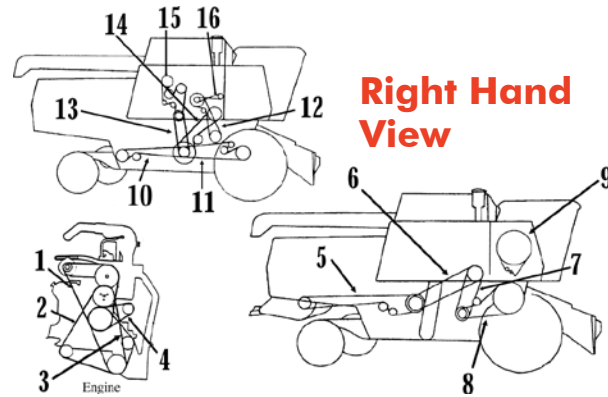
## FITS JOHN DEERE

Belt - 6620, 7720

## Left Hand View



## Right Hand View



NUMBER	APPLICATION	DESCRIPTION	PART NUMBER
1	6620 (6466DH-01 & 6466TH-01), 7720 (6466TH & 6466TH-02) & 6466TH-02)	Alternator & Water Pump	CYL WPH79236
2	6620, 7720	Rotary Screen Drive Shaft	CYL WPH86273
3	7720	Engine Fan	CYL WPH86271
3	6620	Engine Fan	CYL WPH86272
4	6620 (Eff S/N 600001), 7720 (Eff S/N 600001)	Compressor, A/C	CYL WPH113565
4	6620 (Prior S/N 600001), 7720 (Prior S/N 600000)	Compressor, A/C	CYL WPR71603
5	6620, 7720	Rear Straw Chopper Drive	CYL WPH103344
6	6620, 7720	Straw Chopper Drive	BEV C132
7	6620, 7720	Drive, Torq-Sensing Countershaft	BEV QPH113749
8	6620 (Eff S/N 551900), 7720 (Eff S/N556300)	Cyl 4-Bnd (Std)350-700 & 620-1240 RPM	BEV 4RB105
8	6620 (Prior S/N 551900), 7720 (Prior S/N 556300)	Cyl 3-Bnd 390-1030 Or 450-1200 RPM	BEV QPH96408
8	6620 (Eff S/N 551900), 7720 (Eff S/N 556300)	Cyl 4-Bnd (Opt) 380-560 & 500-1000 RPM	BEV 4RB103
8	6620 (Prior S/N 551900), 7720 (Prior S/N 556300)	Cyl 3-Bnd 315-830 RPM	BEV 3RB97
9	6620, 7720	Rotary Screen	BEV 1000H8
10	6620	Tailings Auger Drive	CYL WPH118730
11	6620	Shoe Supply Auger Drive	BEV C175
12	6620, 7720	Beater (150 % Speed)Grain & Rice	BEV C72
12	6620, 7720	Beater (100 % Speed) Corn & Bean	BEV C68
13	6620	Clean Grain Elevator Countershaft	BEV C86
14	6620 (Eff S/N 551900), 7720 (Eff S/N 556301)	Secondary Countershaft Drive	BEV C150
14	6200 (Prior S/N 551900), 7720 (Prior S/N 556300)	Secondary Countershaft Drive	BEV C148
15	6620	Clean Grain Elevator, Loading Auger	BEV C153
16	6620, 7720	Cylinder Tachometer O-Ring	CYL WPH83077
18	6620, 7720	Multi-Groove Sperator Drive	BEV QPH108175



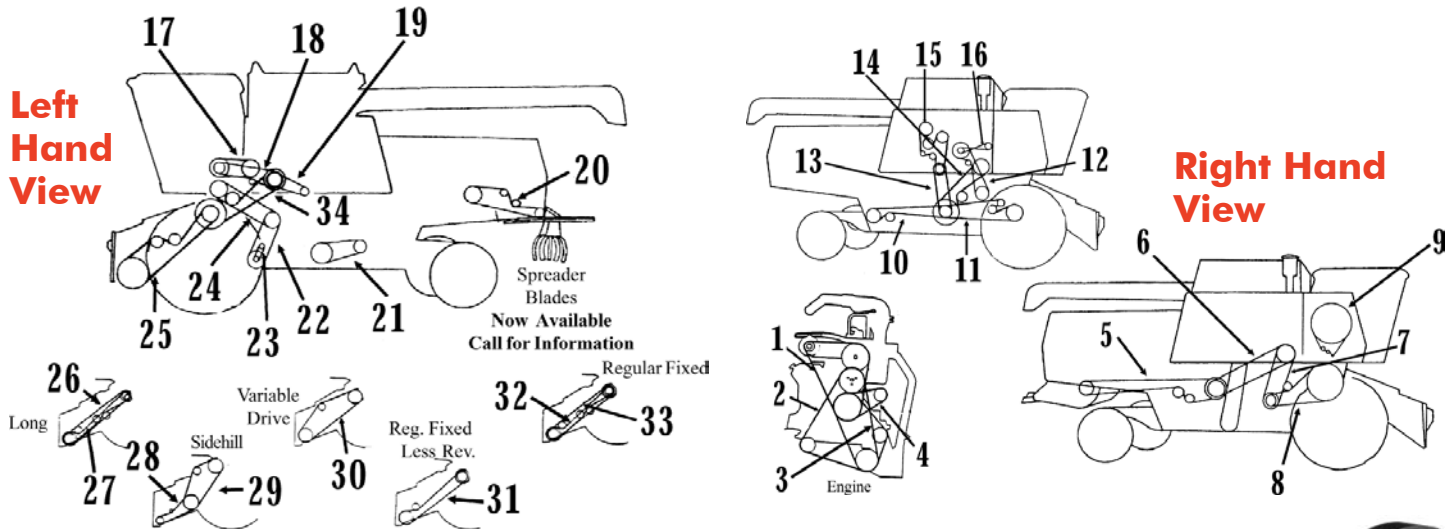
# FITS JOHN DEERE

## Belt - 6620, 7720 (Continued)

NUMBER	APPLICATION	DESCRIPTION	PART NUMBER
19	6620 (Eff S/N 625101), 7720 (Eff S/N 625201)	Hyd Reel Pump Drive	CYL WPH137207
19	6620 (Prior S/N 625100), 7720 (Prior S/N 625200)	Hyd Reel Pump Drive	CYL WPH86275
20	6620, 7720	Straw Spreader Drive	BEV B133
21	6620	Cleaning Fan Drive	BEV QPH108668
21	7720	Cleaning Fan Drive	BEV QPH108669
22	6620, 7720	Hydro Lower Ground Drive, Set	BEV D101
22	6620, 7720	Posi-Torq Lower Ground Drive	BEV QPH75846
23	6620 (Prior S/N 610300), 7720 (Prior S/N 556300)	Hydro Charge Pump	CYL WPT199T
23	6620 (Eff S/N 610301), 7720 (Eff S/N 556301)	Hydro Charge Pump	CYL WPT32517
24	6620, 7720	Hydro Upper Ground Drive, Matched Set	BEV D101
24	6620, 7720	Posi-Torq Upper Ground Drive, Mtchd Set	BEV D110.5
25	6620 (S/N 502551-615100), 7720 (Eff S/N 507351)	Feeder House Drive, Regular Lower	BEV D158
25	6620 (Eff S/N 403301), 7720 (Eff S/N 409101)	Feeder House Drive, Long Lower	BEV D186
26	6620 (Prior S/N 403300), 7720 (Prior S/N 409100)	Feeder House Conveyor Drive, Long	BEV C184
27	6620 (Prior S/N 403300), 7720 (Prior S/N 409100)	Feeder House Conveyor Drive,	BEV D188
28	6620 (Prior S/N 610300)	Multi-Groove - Matched Set Sidehill Only	BEV C83 (3 Required)
29	6620 (Prior S/N 610300)	Feeder House Drive, Upper, Sidehill Only	BEV QPH84441
30	6620, 7720	Feeder House Variable Conveyor Drive	BEV QPH110921
30	6620 (Eff S/N 610301)	Feeder House Lower Fixed Less Reverser	CYL WPH116422
31	6620 (Eff S/N 615101), 7720 (Eff S/N 615201)	Feeder House Drive Lower, Fixed Less Rev.	BEV D150
32	6620 (Eff S/N 502550), 7720 (Prior S/N 507350)	Feeder House Drive Regular, Fixed Lower	BEV D151
33	6620 (Eff S/N 502550), 7720 (Eff S/N 507350)	Feeder House Conveyor Drive, Reg Fixed	BEV C153
34	6620, 7720	Feeder House Drive W/Rev,Vari-Drive	BEV D122
34	6620 (Eff S/N 615101), 7720 (Eff S/N 615201)	Feeder House Drive Less Reverser	BEV D119

## FITS JOHN DEERE

## Belt - 8820



Q Power® Belts, when you can't stop, you need the belt that won't stop. American made Q Power® Belts belts are designed to keep you and your equipment in the field. No matter what the crop... beans to corn, no matter what the conditions ... muddy to dry. Q Power® Belts keeps you running. No other belt can stand up to the demand of your equipment and your schedule better than Q Power® Belts.



NUMBER	APPLICATION	DESCRIPTION	PART NUMBER
1	8820 (Prior S/N 464350)	Alternator & Water Pump	CYL WPH79236
1	8820 (S/N464351-620400)	Alternator & Water Pump	CYL WPH86271
2	8820	Rotary Screen	CYL WPH86273
3	8820	Compressor	CYL WPR71603
4	8820	Fan & Hydraulic Pump	BEV B97 (2 Required)
5	8820	Rear Straw Chopper Drive	CYL WPH103344
6	8820	Straw Chopper Drive	BEV C132
7	8820	Torq-Sensing Countershaft Drive	BEV QPH113749
8	8820 (Eff S/N564100)	Cyl (4V) (Std) 350-700 & 620-1240 Rpm	BEV 4RB105
8	8820 (Prior S/N 564100)	Cyl (4V) 315-830 RPM	BEV 4RB97
9	8820	Rotary Screen	BEV 1000H8
10	8820	Tailings Auger Drive	CYL WPH118730
11	8820	Shoe Supply Augers	BEV C175
12	8820	Beater, Grain & Rice (150% Beater Speed)	BEV C72
12	8820	Beater, Corn & Bean (100% Beater Speed)	BEV C68
13	8820	Clean Grain Elevator	BEV C86
14	8820 (Eff S/N 569101)	Secondary Countershaft Drive	BEV C150
17	8820 (Prior S/N 569100)	Secondary Countershaft Drive	BEV C148
15	8820	Clean Grain & Loading Auger	BEV C153
16	8820	Cylinder, Tachometer O-Ring	CYL WPH83077
17	8820	Unloading Auger Drive	BEV C62 (2 Required)
18	8820	Separator Drive (3V)	BEV QPH108175
19	8820 (Eff S/N 625401)	Hydraulic Reel Pump Drive	CYL WPH137207

**FITS JOHN DEERE**

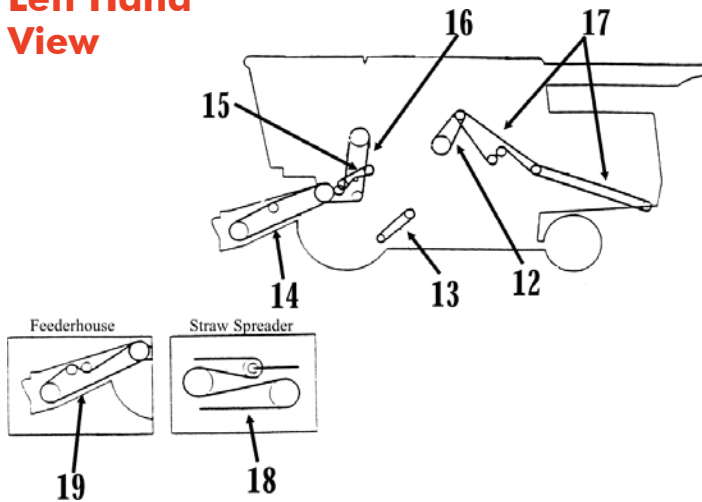
**Belt - 8820 (Continued)**

NUMBER	APPLICATION	DESCRIPTION	PART NUMBER
19	8820 (Prior S/N 625400)	Hydraulic Reel Pump Drive	CYL WPH86275
20	8820	Straw Spreader Drive	BEV B133
21	8820	Cleaning Fan Drive	BEV QPH108669
22	8820	Hydro Lower Ground Drive	BEV D101
23	8820	Hydro Charge Pump	CYL WPT32517
24	8820	Hydro Upper Ground Drive	BEV D101
25	8820 (Eff S/N 414851)	Lng, Lower Feeder House Drive	BEV D186
26	8820 (Prior S/N 409100)	Lng, Feeder House Conveyor Drive	BEV C184
27	8820 (Prior S/N 409100)	Lng, Lower Feeder House Conveyor Drive	BEV D188
28	8820	Feeder House, Variable Conveyor Drive	BEV QPH110921
29	8820	Feeder House Drive w/Rev & Var-Drive	BEV D122
29	8820 (Prior S/N 414850)	Feeder House Drive Less Reverser	BEV D119

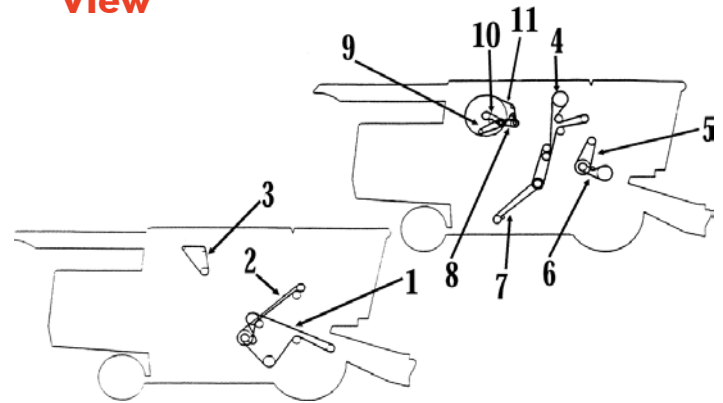
# FITS JOHN DEERE

Belt - 9400, 9500, 9500 Side Hill, 9600

## Left Hand View



## Right Hand View



NUMBER	APPLICATION	DESCRIPTION	PART NUMBER
1	9400 (Eff S/N 635101)	Air Conditioning Compressor	CYL WPH101813
1	9500 (Prior S/N 631100), 9600 (Prior S/N 631200)	Air Conditioning Compressor	CYL WPH134437
1	9400 (Prior S/N 635100)	Air Conditioning Compressor	CYL WPH134772
1	9500/9500SH (Eff S/N 650201), 9600 (Eff S/N 647501)	Air Conditioning Compressor	CYL WPH80896
1	9500/9500SH (S/N 631101-650200), 9600 (S/N 631201-647500)	Air Conditioning Compressor	CYL WPH81742
2	9400, 9500/9500SH, 9600	Secondary Countershaft	BEV C188
3	9500/9500SH (Eff S/N 645201), 9600 (Eff S/N 631201)	Alternator	CYL WPH101813
3	9400 (Eff S/N 635101)	Alternator, Matched Set Of 2	CYL WPH101813
3	9500/9500SH	Alternator	CYL WPH134344
3	9500/9500SH (S/N635201-645200)	Alternator	CYL WPR73189
3	9400 (Prior S/N 635100), 9600 (Prior S/N 631200)	Alternator	CYL WPRE44538
4	9600	Clean Grain Elevator	CYL WPH135458
4	9400 (Prior S/N 640100), 9500/9500SH (Prior S/N 640200)	Clean Grain Elevator	BEV C313
4	9600 (Eff S/N640301)	Clean Grain Elevator	CYL WPH141166
4	9400 (Eff S/N640101), 9500/9500SH (Eff S/N640201)	Clean Grain Elevator	CYL WPH141167
5	9400, 9500/9500SH, 9600	Cylinder Intermediate Drive	CYL WPH162629
5	9400, 9500/9500SH, 9600	Cylinder Intermediate Drive (Ext Range)	CYL WPH137670
5	9500/9500SH, 9600	Belt, Cylinder Intermediate Drive	BEV QPH210476
6	9400, 9500/9500SH, 9600	Cylinder Drive Reg Dual & Single Range	BEV QPH115881
6	9400, 9500/9500SH (Prior S/N640194), 9600	Cylinder Drive, Slow Speed	CYL WPH118618
6	9400 (Eff S/N640195)	Cylinder Drive, Extended Range	CYL WPH145994

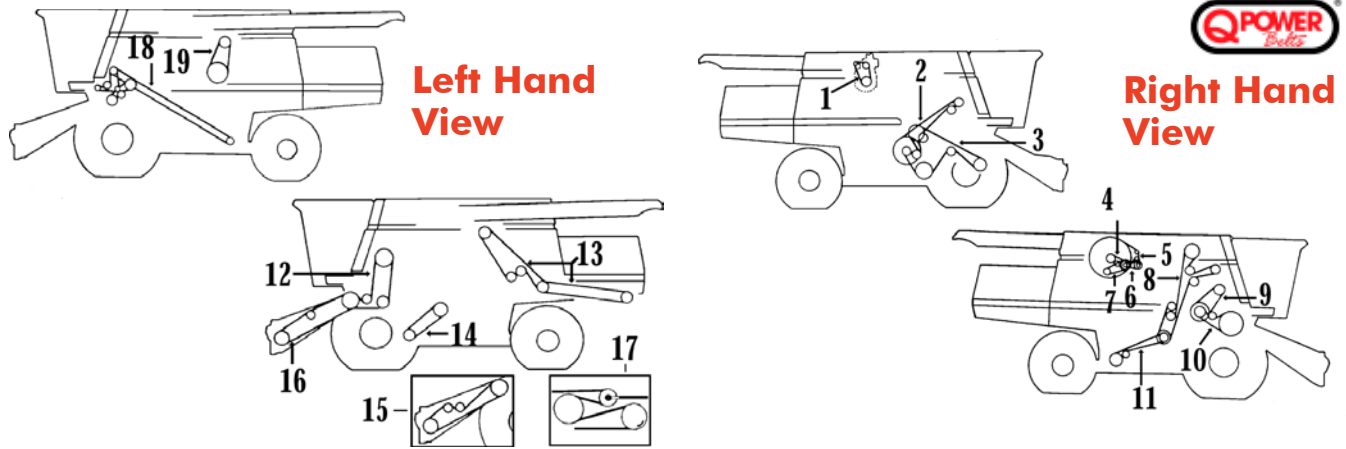
**FITS JOHN DEERE**

**Belt - 9400, 9500, 9500 Side Hill, 9600 (Continued)**

NUMBER	APPLICATION	DESCRIPTION	PART NUMBER
7	9400, 9500/9500SH, 9600	Tailings Auger & Elevator, Lower	CYL WPN110085
8	9400 (Prior S/N640505), 9500/9500SH (Prior S/N642578)	Rotary Screen Drive	BEV QPH134216
8	9600 (Prior S/N 641921)	Rotary Screen Drive	CYL WPH133577
8	9400 (Eff S/N 640506), 9500/9500SH (Eff S/N 642579), 9600 (Eff S/N 641922)	Rotary Screen Drive	CYL WPH146636
9	9400, 9500/9500SH, 9600	Shoe, Straw Walker And Conveyor Augers	BEV C255
10	9500/9500SH, 9600 (Prior S/N 641716)	Cooling Fan	BEV B53
10	9400	Cooling Fan	CYL WPH132809
11	9400 (Prior S/N 640505) 9500/9500SH, 9600	Rotary Screen	BEV QPH143869
12	9400, 9500/9500HS, 9600	Unloading System	CYL WPAH158880
13	9400, 9500/9500SH (490-980RPM), 9600	Separator Fan, Slow Speed	CYL WPH137264
13	9400, (9500/9500SH,9600) (750-1350RPM)	Separator Fan, Regular Speed	BEV QPH140404
14	9400, 9500/9500SH, 9600	Feeder House, Variable Speed	BEV QPH161648
14	9400, 9500/9500SH, 9600	Round Belt, Feeder House with Reverser	BEV QPH145158
15	9400, 9500/9500HS, 9600	Beater Drive (75 Percent Beater Speed)	BEV C73
15	9400, 9500/9500HS, 9600	Beater Drive (100 Percent Beater Speed)	BEV C75
16	9400 (Prior S/N635100), 9500/9500SH (Prior S/N635200), 9600( Prior S/N635300)	Header And Reel Pump, Powershift	BEV QPH125565
16	9400 (Eff S/N35101) 9500/9500SH (Eff S/N635201), 9600 (Eff S/N635301)	Header And Reel Pump, Powershift	CYL WPH151952
17	9400	Chopper In Windrow Or Forward Position	BEV C83
17	9400	Chopper In Rear Operating Position	BEV C132
17	9400, 9500/9500SH, 9600	Front Chopper Drive	BEV C184
17	9500/9500SH, 9600	Chopper In Rear Operating Position	CYL WPH125381
17	9500/9500SH (Eff S/N640201), 9600	Chopper In Window Or Forward Position	BEV QPH23950
17	9500/9500SH (Prior S/N 640200)	Chopper In Window Or Forward Position	BEV C109
18	9500/9500SH, 9600	Straw Spreader	CYL WPH128234
18	9400	Straw Spreader	BEV B173
19	9400, 9500/9500SH, 9600	New Feederhouse, With Reverser Fixed	CYL WPH126345

## FITS JOHN DEERE

## Belt - 9410 Maximizer



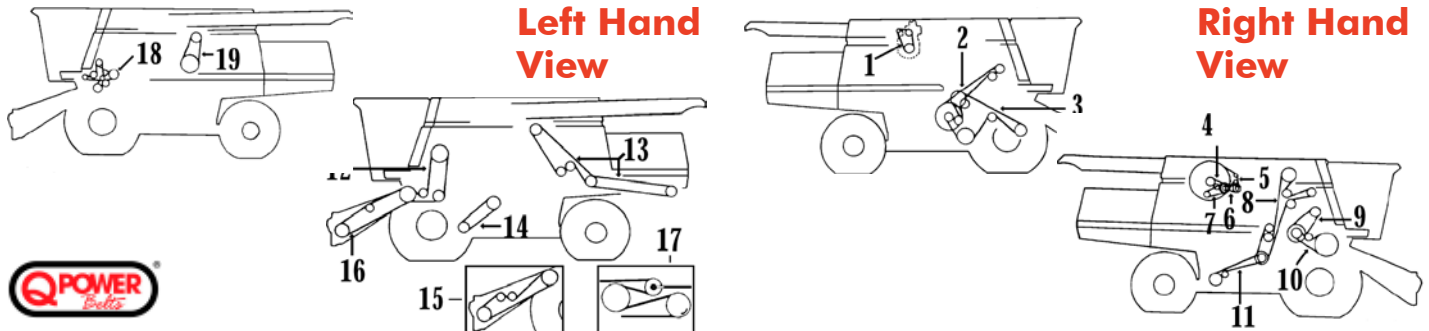
Q Power® Belts, when you can't stop, you need the belt that won't stop. American made Q Power® Belts belts are designed to keep you and your equipment in the field. No matter what the crop... beans to corn, no matter what the conditions ... muddy to dry. Q Power® Belts keeps you running. No other belt can stand up to the demand of your equipment and your schedule better than Q Power® Belts.



NUMBER	APPLICATION	DESCRIPTION	PART NUMBER
1	9410 Maximizer	Alternator & Water Pump (upper)	CYL WPH101813
2	9410 Maximizer	Secondary Countershaft	BEV C188
3	9410 Maximizer	Shoe, Straw Walker & Conveyor Augers	BEV C255
4	9410 Maximizer	Cooling Fan, High Power	BEV B53
4	9410 Maximizer	Cooling Fan, Low Power	CYL WPH132809
6	9410 Maximizer	Rotary Screen Drive	CYL WPH146636
7	9410 Maximizer	Air Compressor	CYL WPH80896
8	9410 Maximizer	Clean Grain Elevator	CYL WPH141167
9	9410 Maximizer	Cylinder Intermediate Drive	CYL WPH162629
9	9410 Maximizer	Cylinder Intermediate Drive, Ext. Range	CYL WPH137670
10	9410 Maximizer	Cylinder Drive, Reg Dual & Single Range	BEV QPH115881
10	9410 Maximizer	Cylinder Drive, Extended Range	CYL WPH145994
11	9410 Maximizer	Lower Tailings Auger & Elevator	CYL WPN110085
12	9410 Maximizer	Header And Reel Pump, Powershift	CYL WPH151952
13	9410 Maximizer	Front Chopper	BEV C184
13	9410 Maximizer	Chopper, Windrow Or Forward Position	BEV C86
13	9410 Maximizer	Chopper, Rear (Operating Position)	BEV C132
14	9410 Maximizer	Seperator Fan Regular Speed)	BEV QPH140404
14	9410 Maximizer	Seperator Fan (Slow Speed)	CYL WPH137264
15	9410 Maximizer	Fixed Speed Feederhouse W/reverser	CYL WPH126345
16	9410 Maximizer	Variable Speed Feeder House	BEV QPH161648
17	9410 Maximizer	Straw Spreader	BEV B173
18	9410 Maximizer	Beater Drive, 100"	BEV C75
18	9410 Maximizer	Beater Drive, 75"	BEV C73
19	9410 Maximizer	Unloading System	CYL WPAH158880

**FITS JOHN DEERE**

**Belt - 9600 Maximizer**



Q Power® Belts, when you can't stop, you need the belt that won't stop. American made Q Power® Belts belts are designed to keep you and your equipment in the field. No matter what the crop... beans to corn, no matter what the conditions ... muddy to dry. Q Power® Belts keeps you running. No other belt can stand up to the demand of your equipment and your schedule better than Q Power® Belts.

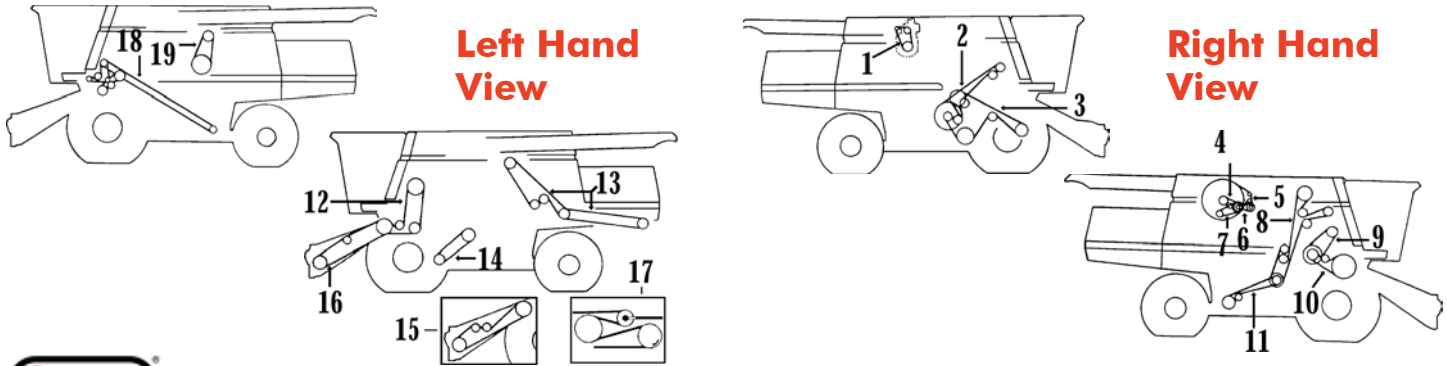


NUMBER	APPLICATION	DESCRIPTION	PART NUMBER
1	9600 Maximizer, (S/N 630401-631200)	Alternator	CYL WPRE44538
1	9600 Maximizer, (S/N 635301-643000)	Alternator	CYL WPR73189
1	9600 Maximizer, (Eff S/N 645301)	Alternator & Waterpump (upper)	CYL WPH101813
2	9600 Maximizer	Secondary Countershaft	BEV C188
3	9600 Maximizer	Shoe, Straw Walker, Conveyor Augers	BEV C255
4	9600 Maximizer, (Prior S/N 641716)	Cooling Fan	BEV B53
4	9600 Maximizer, (S/N 641717-662523)	Cooling Fan	CYL WPH153297
5	9600 Maximizer, (S/N 636635-641716)	Rotary Screen	BEV QPH143869
6	9600 Maximizer, (Prior S/N 641921)	Rotary Screen Drive	CYL WPH133577
6	9600 Maximizer, (Eff S/N 641922)	Rotary Screen Drive	CYL WPH146636
7	9600 Maximizer, (S/N A/C 630401-631200)	Compressor	CYL WPH134437
7	9600 Maximizer, (S/N A/C 635301-647500)	Compressor	CYL WPH81742
7	9600 Maximizer, (Eff S/N A/C 647501)	Compressor	CYL WPH80896
8	9600 Maximizer	Clean Grain Elevator	CYL WPH135458
8	9600 Maximizer, (Eff S/N 640301)	Clean Grain Elevator	CYL WPH141166
9	9600 Maximizer	Cylinder Intermediate Drive	CYL WPH162629
10	9600 Maximizer	Cylinder Drive, Reg. Dual & Single Range	BEV QPH115881
10	9600 Maximizer	Cylinder Drive, Slow Speed	CYL WPH118618
11	9600 Maximizer	Lower Tailings Auger & Elevator	CYL WPN110085
12	9600 Maximizer, (Prior S/N 35300)	Header & Reel Pump, Powershift	BEV QPH125565
12	9600 Maximizer, (Eff S/N 635301)	Header & Reel Pump, Powershift	CYL WPH151952
13	9600 Maximizer	Front Chopper	BEV C184
13	9600 Maximizer, (Prior S/N 641838)	Chopper In Windrow Or Forward Pos.	BEV QPH23950
13	9600 Maximizer	Chopper In Rear (operating) Pos.	CYL WPH125381
14	9600 Maximizer	Chopper Slow Speed	CYL WPH137264
15	9600 Maximizer	Fixed Speed Feederhouse W/reverser	CYL WPH126345
16	9600 Maximizer	Variable Speed Feederhouse	BEV QPH161648
17	9600 Maximizer	Straw Spreader	CYL WPH128234
18	9600 Maximizer	Beater Drive, 100"	BEV C75
18	9600 Maximizer	Beater Drive, 75"	BEV C73
19	9600 Maximizer	Unloading System	CYL WPAH158880



## FITS JOHN DEERE

## Belt - 9610 Maximizer



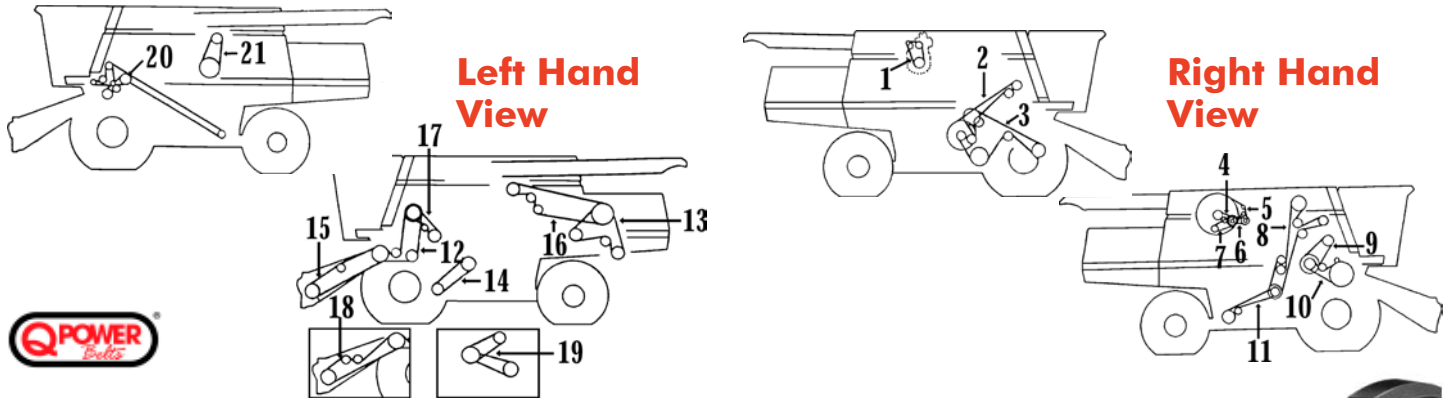
Q Power® Belts, when you can't stop, you need the belt that won't stop. American made Q Power® Belts belts are designed to keep you and your equipment in the field. No matter what the crop... beans to corn, no matter what the conditions ... muddy to dry. Q Power® Belts keeps you running. No other belt can stand up to the demand of your equipment and your schedule better than Q Power® Belts.



NUMBER	APPLICATION	DESCRIPTION	PART NUMBER
1	9610 Maximizer	Alternator & Waterpump	CYL WPH101813
2	9610 Maximizer	Secondary Countershaft	BEV C188
3	9610 Maximizer	Shoe, Strawwalker, & Conveyor Augers	BEV C255
4	9610 Maximizer	Cooling Fan	CYL WPH153297
6	9610 Maximizer	Rotary Screen Drive	CYL WPH146636
7	9610 Maximizer	Engine Fan	CYL WPH163515
8	9610 Maximizer	Clean Grain Elevator (314.5" O.D.)	CYL WPH135458
8	9610 Maximizer	Clean Grain Elevator (321" O.D.)	CYL WPH141166
9	9610 Maximizer	Cylinder Intermediate Drive	CYL WPH162629
9	9610 Maximizer	Cylinder Intermediate Drive	CYL WPH162629
10	9610 Maximizer	Cylinder Drive, Reg Dual & Single Range	BEV QPH115881
10	9610 Maximizer	Cylinder Drive, Slow Speed	CYL WPH118618
11	9610 Maximizer	Lower Tailings Auger & Elevator	BEV C128
12	9610 Maximizer	Header & Reel Pump, Powershift	CYL WPH151952
13	9610 Maximizer	Front Chopper	BEV C184
13	9610 Maximizer	Chopper In Windrow Or Forward Pos.	BEV QPH23950
13	9610 Maximizer	Chopper In Rear (operating) Position	CYL WPH125381
14	9610 Maximizer	Separator Fan, Slow Speed	CYL WPH137264
15	9610 Maximizer	Fixed Speed Feederhouse W/reverser	CYL WPH126345
16	9610 Maximizer	Variable Speed Feederhouse	BEV QPH161648
17	9610 Maximizer	Strawspreader	CYL WPH128234
18	9610 Maximizer	Beater Drive, 100"	BEV C75
18	9610 Maximizer	Beater Drive, 75"	BEV C73
19	9610 Maximizer	Unloading System	CYL WPAH158880

**FITS JOHN DEERE**

**Belt - CTS**



Q Power® Belts, when you can't stop, you need the belt that won't stop. American made Q Power® Belts belts are designed to keep you and your equipment in the field. No matter what the crop... beans to corn, no matter what the conditions ... muddy to dry. Q Power® Belts keeps you running. No other belt can stand up to the demand of your equipment and your schedule better than Q Power® Belts.



NUMBER	APPLICATION	DESCRIPTION	PART NUMBER
1	CTS Combine, (Eff S/N 645510)	Alternator & Waterpump	CYL WPH101813
2	CTS Combine	Secondary Countershaft	BEV C188
3	CTS Combine	Shoe, Strawwalker, & Conveyor Augers	BEV C255
4	CTS Combine (Prior S/N 60697)	Cooling Fan	CYL WPH153297
6	CTS Combine, (Prior S/N 645510)	Rotary Screen Drive	BEV QPH134216
6	CTS Combine, (Eff S/N 645511)	Rotary Screen Drive	CYL WPH146636
7	CTS Combine	Air Conditioning Compressor	CYL WPH134437
8	CTS Combine	Clean Grain Elevator	CYL WPH141167
9	CTS Combine	Cylinder Intermediate Drive	CYL WPH162629
10	CTS Combine	Cylinder Drive Reg. Dual & Single Range	BEV QPH115881
10	CTS Combine	Cylinder Drive, Slow Speed	CYL WPH118618
11	CTS Combine	Lower Tailings Auger And Elevator	BEV C128
12	CTS Combine	Header & Reel Pump, Powershift	CYL WPH151952
13	CTS Combine	Front Straw Chopper	CYL WPH141417
14	CTS Combine	Fan Drive, Regular (750-1350 RPM)	BEV QPH140404
14	CTS Combine	Fan Drive, Slow Speed (490-960 RPM)	CYL WPH137264
15	CTS Combine	Feederhouse Variable Speed	BEV QPH161648
16	CTS Combine	Separator Fan Drive	CYL WPH141429
17	CTS Combine	Beater Drive	CYL WPH143700
18	CTS Combine	Feederhouse Fixed Speed	CYL WPH126345
19	CTS Combine	Straw Spreader (53" O.D.)	BEV B50
19	CTS Combine	Straw Spreader	BEV B92
19	CTS Combine	Chaff Spreader Drive	CYL WPM95728
20	CTS Combine	Stripper Beater	CYL WPH139963
21	CTS Combine	Unloading System	CYL WPAH158880

## FITS JOHN DEERE

### Belt - 2280

Q Power® Belts, when you can't stop, you need the belt that won't stop. American made Q Power® Belts belts are designed to keep you and your equipment in the field. No matter what the crop... beans to corn, no matter what the conditions ... muddy to dry. Q Power® Belts keeps you running. No other belt can stand up to the demand of your equipment and your schedule better than Q Power® Belts.



APPLICATION	DESCRIPTION	PART NUMBER
2280 (Prior S/N490000)	Sickle Drive 230 Platform	BEV C94
2280	Platform Drive	BEV 4RB55
2280 (Eff S/N490001)	Sickle Drive 230 Platform	BEV C92

### Belt - 9900, 9910, 9920, 9930, 9940, 9950

Q Power® Belts, when you can't stop, you need the belt that won't stop. American made Q Power® Belts belts are designed to keep you and your equipment in the field. No matter what the crop... beans to corn, no matter what the conditions ... muddy to dry. Q Power® Belts keeps you running. No other belt can stand up to the demand of your equipment and your schedule better than Q Power® Belts.



APPLICATION	DESCRIPTION	PART NUMBER
9940, 9950	Unit Drive	BEV C76 (2 required)
9960 (Prior S/N 4000)	Unit Drive, Rh	CYL WPAN194750
9960 (Eff S/N 4001)	Unit Drive, Rh	CYL WPAN194916
9960	Unit Drive, Lh	CYL WPAN194917
9930, 9920	Hyd Pump	BEV B50
9930	Lube Pump	BEV A38
9900, 9910, 9920, 9930	Unit Drive, Lh	BEV C68
9900	Hyd. Pump Cushion Mount	BEV B45
9900, 9910	Hyd. Pump Solid Mount	BEV B46
9900, 9910, 9920, 9930	Unit Drive, Rh	BEV C81
9900, 9910 (Prior S/N3055)	Fan	BEV 2RA73.5
9910 (Eff S/N3056), 9920, 9930	Fan	CYL WPN129368
9940, 9950	Hydrostat Charge Pump	CYL WPN190043
9940, 9950	Fan	CYL WPN193822

**FITS MASSEY FERGUSON**

**Combine Radiators**

**Tanks & Headers**

Heavy ribbed brass tanks & headers to better increase the durability & life of the cooling system.

**Tubes**

Heavy wall industrial coolant tubes avoid flex & failure, plus we use plenty of tubes for extra cooling.

**Side Channels**

Heavy duty steel side channels soldered or welded to tank mean long life and added strength.

**Fin**

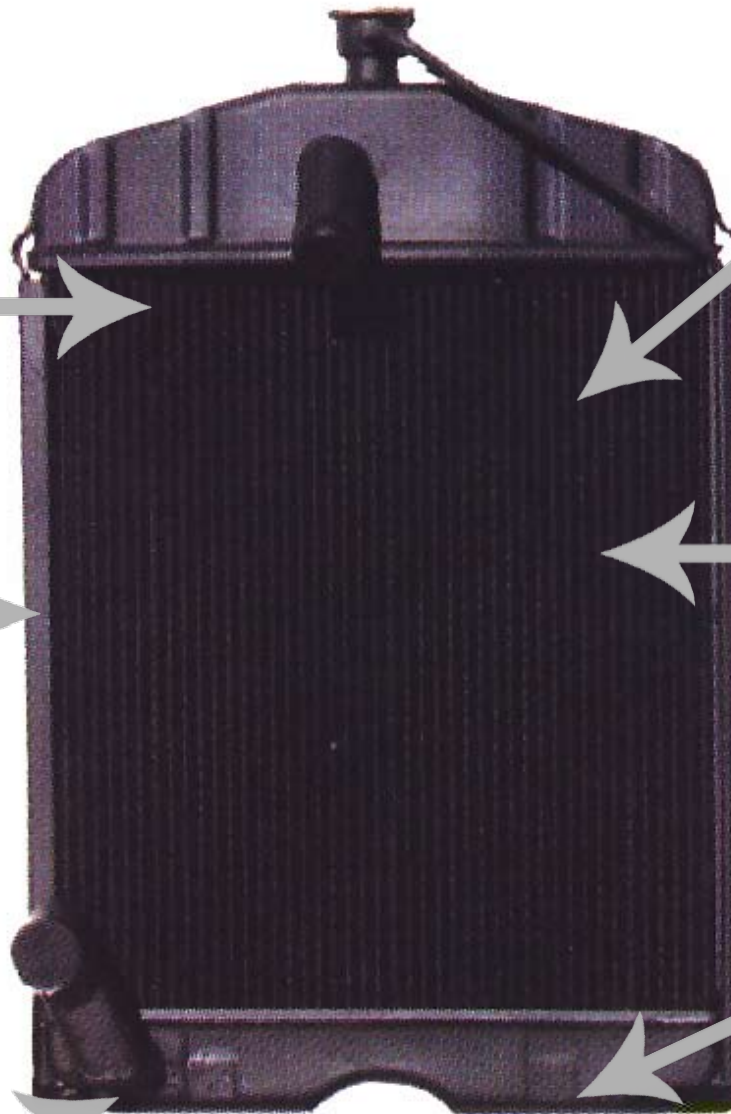
Industrial strength fins, plus 100% fin to tube contact for extra cooling.

**Design**

Deep solder joints on tanks & headers mean thousands of hours of industrial service.

**Oil Coolers (if applicable)**

All our oil coolers are OEM design or better, you can't see the cooler because it's inside, so TRUST Northern for the right cooler!



MODEL	OEM NO.	PART NO.	RAD CAP NO.	NOTES
750	2599951M4, 259951M2	TRP CR9757	21-5	w/AT6-354.4 Diesel Engine; SN 1696-19596 & After
750	259951M2, 280721M2	TRP CR9757	21-5	w/AT6-354.4 Diesel Engine; SN 1696-016539 & After
760	259951M2, 280721M3	TRP CR9757	21-5	w/AT6-354.4 Diesel Engine; SN 1746-009-413 & After
760	259952M2, 259952M4	TRP CR9758	21-5	w/AV8-540 Diesel Engine; SN 1746-009-413 & After
850	259951M2, 280721M3	TRP CR9757	21-5	w/AT6-354.4 Diesel Engine
855	259951M2, 280721M3	TRP CR9757	21-5	w/AT6-354.4 Diesel Engine
860	259951M2	TRP CR9757	21-5	w/AT6-354.4 Diesel Engine
860	259952M4, 259952M2	TRP CR9758	21-5	w/AV8-540 Diesel Engine
865	259951M2, 280721M3	TRP CR9757	21-5	w/AT6-354.4 Diesel Engine
865	259952M4, 259952M2	TRP CR9758	21-5	w/AV8-540 Diesel Engine

## FITS MASSEY FERGUSON

### Combine Radiator Illustration Guide

#### Massey Combine TRP CR9757

750, 760, 850, 855, 860, 865

Overall: H-35  $\frac{7}{8}$ " W-34  $\frac{7}{8}$ "  
 Core: H-28  $\frac{3}{16}$ " W-30  $\frac{3}{4}$ ", D-na  
 Filler Neck Height- $\frac{3}{4}$ "  
 Inlet-2", Outlet-2"  
 5 Row, 7 FPI

OEM# 259951M4, 259951M2



#### Massey Combine TRP CR9758

760, 860, 865

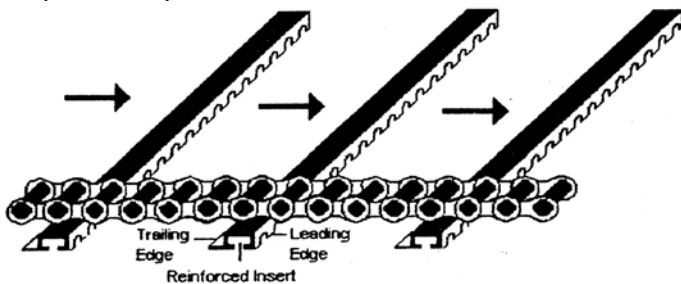
Overall: H-35  $\frac{3}{8}$ " W-34  $\frac{7}{8}$ "  
 Core: H-28  $\frac{3}{16}$ " W-30  $\frac{3}{4}$ ", D-4  $\frac{1}{4}$ "  
 Filler Neck Height- $\frac{3}{4}$ "  
 Inlet-2", Outlet-2"  
 6 Row, 7 FPI

OEM# 259952M4, 259952M2



### Harvest Plastic Slat Harvest Chain

- Designed to handle today's larger crops and specialty crops gently and efficiently.
- Lighter, easier on drive components
- Super tough nylon slat with spring steel insert is less abrasive than a steel slat to the feeder house.
- Improves feeding, runs quieter, and lasts longer
- Reduces maintenance costs to save you money



#### CHAIN

- American made 557 chain not 550
- Heavier rollers and side links
- Outlasts

#### SLAT

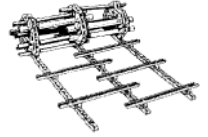
- Super tough reinforced nylon to maintain shape
- 5160 Spring steel heat treated insert
- Bolted, not riveted
- Slat design forces material into the cylinder
- Leading Edge is notched for better feeding
- Trailing Edge eliminates back feeding
- Slats every 4th link on center chain.

DESCRIPTION	NO. OF CHAINS	NO. OF LINKS	NO. OF SLATS	SLAT LENGTH	C-C	WT	PART NO.
MF 8560/8570/8780	3	111	28	22 $\frac{1}{4}$ "	19 $\frac{1}{4}$ "	146	SHI FC1225
MF 8590	3	96	24	29"	21 $\frac{3}{16}$ "	164	SHI FC1320

## FITS MASSEY FERGUSON

### Feederhouse Chains

Our feederhouse chains utilize American Made chain with the slats mounted directly over the roller pins helping to eliminate stretching. The slats are bolted to the chain with  $\frac{3}{8}$ " grade 5 plated bolts and locknuts, for easy replacement. Chains feature full side plates and high strength steel for added strength. All Feederhouse chains are supplied with serrated slats every 4th link. Please ask your sales representative about availability and cost of different slats or chain if required for your application. To extend the life of your chain assemblies, always replace the sprockets when installing a new chain.



APPLICATION	DESCRIPTION	PART NUMBER
410, 540	New Feederhouse Chain, 70 Links, 3 Chain	CYL WPX28025
510, 550	New Feederhouse Chain, 70 Links, 3 Chain	CYL WPX28026
510, 550	New Feederhouse Chain, 70 Links - Slat every 2nd link, 3 Chain	CYL WP260103M91L
750, 850	New Feederhouse Chain, 81 Links - T-slat every 2nd link, 4 Chain	CYL WP278626M92L
760, 860	New Feederhouse Chain, 81 Links - T-slat every 2nd link, 4 Chain	CYL WP278611M92L
8560, 8570	New Feederhouse Chain, 125 Links - 3 Chain	CYL WP263913W91L

### Feederhouse Chain Sprockets

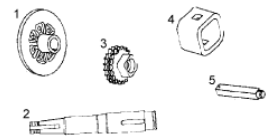
To extend the life of your chain assemblies, always replace the sprockets when installing a new chain.



APPLICATION	DESCRIPTION	PART NUMBER
410, 510, 540, 550	New Feederhouse Chain Sprocket, Split Sprocket	CYL WPFM-143
410, 510, 540, 550	New Feederhouse Chain Sprocket, Split Sprocket	CYL WPFM-143H

### Feederhouse Parts - Misc

APPLICATION	DESCRIPTION	PART NUMBER
1 750, 850	New Hub w/ PPA for throat slip clutch For Paddle Style Feeder Houses	CYL WP284922M1
1 760, 860	New Hub w/ PPA for throat slip clutch For Paddle Style Feeder Houses	CYL WP284921M1
2 750, 850	New Jackshaft, Right Hand, 11.06" Ing For Slat Style Feeder Houses	CYL WP278748M2
3 760, 860	Right Hand Header Drive Sprocket Double 23 Tooth, 50 Chain, For Slat Style Feeder Houses	CYL WP278671M91
3 Most Corn & Grain Headers	New Female Drive Coupler	CYL WP470040M1
4 760, 860	New Drive Coupler w/ Sprocket Dbl. Chain 20 Teeth	CYL WP273458M91
5 Most Corn & Grain Headers	New Coupler Pin	CYL WP249675M1



### Front Rollers

APPLICATION	DESCRIPTION	PART NUMBER
510, 550	New Front Roller	CYL WP260097M

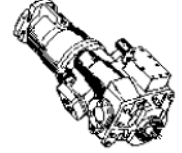




## FITS MASSEY FERGUSON

### Hydrostat Transmissions - Combine

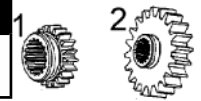
Sauer / Sundstrand, Eaton, and Dynapower are a few of the major brands of Combine Hydrostats we stock. Our hydrostats are remanufactured by a Nationally known remanufacturer that has been recognized as a "Remanufacturing Facility" by Sauer/ Sundstrand. All units are assembled from scratch by a factory trained technician, utilizing GENUINE remanufactured and replacement parts. All units are fully tested to factory specification assuring you of the highest quality and maximum performance.



APPLICATION	DESCRIPTION	PART NUMBER
750, 760, 850, 860	Remanufactured Hydrostat, Eaton	CYL WPH760E-46/39
750, 760	Remanufactured Hydrostat, Sunstrand	CYL WPH760S1-23/22
750, 760	Remanufactured Hydrostat, Sunstrand	CYL WPH760S2-23/22
750, 760, 850, 860	Remanufactured Hydrostat, Sunstrand	CYL WPH760S3-23/22
850, 860	Remanufactured Hydrostat, Eaton	CYL WPH860E-54/46
850, 860	Remanufactured Hydrostat, Sunstrand	CYL WPH860S1-23/23
850, 860	Remanufactured Hydrostat, Sunstrand	CYL WPH860S2-23/23

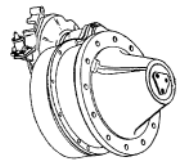
### Transmission Parts - Combine

APPLICATION	DESCRIPTION	PART NUMBER
750 w/ 4 speed (Prior S/N 9674), 760 w/ 4 speed (Prior S/N 9413)	New Gear - 34 Tooth	CYL WP270369M1



### Final Drives and Components

APPLICATION	DESCRIPTION	PART NUMBER
750, 760, 850, 860	Remanufactured Final Drives, Right Hand	CYL WPF760R
750, 760, 850, 860	Remanufactured Final Drives, Left Hand	CYL WPF760L
750, 760, 850, 860	New Pinion Shaft	CYL WP270334M1



### Axle Drive Shafts and Couplers

APPLICATION	DESCRIPTION	PART NUMBER
750, 850	New Axle Drive Shaft, 12.062" Lng	CYL WP259306M1
750, 850	New Axle Drive Shaft, 46.562" Lng	CYL WP259310M91
750, 850	New Axle Drive Shaft, 29.312" Lng	CYL WP280512M1
760, 860	New Axle Drive Shaft, 55.500" Lng	CYL WP274841M1
760 (Late), 860	New Axle Drive Shaft, 34.250" Lng	CYL WP280509M1
750, 760, 850, 860	New Axle Drive Shaft Coupler, 3.687" Long Can replace oem p/n 255842M1 and 256670M1.	CYL WP258993M
	New Axle Drive Shaft, Stub Shaft (Weld in) Allows repairing splines on either end of shaft w/ OEM P/N 259310M91, 258867M91, 271465M91, or 27484M92.	CYL WP259310M91E





## FITS MASSEY FERGUSON

### Feeder Shaft Angles & Paddles

APPLICATION	DESCRIPTION	PART NUMBER
750, 850	New Paddle Shaft - Middle, 1 1/2" x 57"	CYL WP258129M2
750, 850	New Paddle, 4 lower shafts	CYL WP293054M2
750, 850	New Paddle, top drive shaft	CYL WP293179M1
750, 850	New Small Angle	CYL WP259000M3
760	New Paddle Shaft - Middle, 1 3/4" x 67"	CYL WP273002M2
760, 860	New Paddle, 4 lower shafts	CYL WP293033M2
760, 860	New Paddle, top drive shaft	CYL WP293100M1
760, 860	New Smal Angle	CYL WP273972M3
760, 860	New Large Angle, Replaces: 273973M2	CYL WP273973M2



### Thresher Cylinder Parts

APPLICATION	DESCRIPTION	PART NUMBER
510	New Cylinder V.S. Drive Hub	CYL WP227361M
550	New Countershaft Inner Pulley, Hub & Pins	CYL WP243919M

### Shaker Shoe Shafts, Kits

APPLICATION	DESCRIPTION	PART NUMBER
750	New Shaker Shoe Shaft	CYL WP253352M91
750, 850	New Shaker Shoe Shaft, Heavy Duty	CYL WPSSSMF-750Y
750, 850	New Shaker Shoe Shaft Kit, Heavy Duty Includes: 1) 271473 Used Brg. Holder, 1) 271474 Used Crank Arm, 1) 842079 New Brg.	CYL WPSSSMF-750YKIT

### Gear Box Shafts

APPLICATION	DESCRIPTION	PART NUMBER
750, 760 - Early	New Gear Box Shaft (2-Speed), Early Style	CYL WP254478M1
750,760 - Late, 860	New Gear Box Shaft (2-Speed), Late Style	CYL WP259677M1

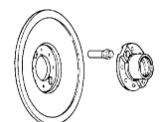


### Fiber Discs

APPLICATION	DESCRIPTION	PART NUMBER
510, 550	Fiber Disc	CYL WP1026555M1

### Traction Drive Variable Speed Repair Kit

APPLICATION	DESCRIPTION	PART NUMBER
510, 550	Traction Drive Variable Speed Repair Kit Incl: 1) CYL WP252997 Hub, 1) CYL WP226865 Hub	CYL WPMF500VS



## FITS MASSEY FERGUSON

### Cylinder Bars and Kits

All bars are carefully checked and sets are matched for equal weight distribution on the cylinder prior to shipment. Grade 8 Fasteners are supplied for most models.



APPLICATION	DESCRIPTION	PART NUMBER
410	New Cylinder Bar Kit, Angle	CYL WPOMF-410
510, 550	New Cylinder Bar Kit, Angle - 9.50" Ctr to Ctr of holes	CYL WPOMF-510 Standard CYL WPOMF-510H Hardened
540	New Cylinder Bar Kit, Angle	CYL WPOMF-540
540 Hi-Inertia, (Eff S/N 819)	New Cylinder Bar Kit, Angle - First hole 4.50" from end	CYL WPOMF-540-1
550 Hi-Inertia	New Cylinder Bar Kit, Angle First hole 4.250" from end	CYL WPOMF-550 Standard CYL WPOMF-550H Hardened
750, 850 Hi-Inertia	New Cylinder Bar Kit Angle - first 2 holes 10.50" apart	CYL WPOMF-750-1 Standard CYL WPOMF-750-1H Hardened CYL WPOMF-750-1C Chrome
750	New Cylinder Bar Kit Angle - First 2 holes 10.750" apart	CYL WPOMF-750-2
760, 860 Hi-Inertia	New Cylinder Bar Kit Angle - 5 hole	CYL WPOMF-760-5 Standard CYL WPOMF-760-5H Hardened CYL WPOMF-760-5C Chrome
760	New Cylinder Bar Kit, Angle - 7 hole Replaces OE P/N 2941439M91/294137M91	CYL WPOMF-760-7
8560, 8570, 8590, 8780XP, 9700, 9720	New Cylinder Bar Kit, Front - Angle Replaces OE P/N 2497293W91	CYL WP31-2497293
8560, 8570, 8590, 8780XP, 9700, 9720	New Cylinder Bar Kit, Rear - Flat Replaces OE P/N 2497283W91	CYL WP31-2497283

### Sunnybrook Cylinder Bars and Kits

APPLICATION	DESCRIPTION	PART NUMBER
405, 410	Complete Set, Black Left 2/set, Black Right 2/set, Black	SHI SBM0190 SHI SBM0192 SHI SBM0194
540	Complete Set, Black Left 2/set, Black Right 2/set, Black Complete Set, Boron	SHI SBM0330 SHI SBM0332 SHI SBM0334 SHI SBM0336
510	Complete Set, Black Left 2/set, Black Right 2/set, Black	SHI SBM0160 SHI SBM0162 SHI SBM0164
550	Complete Set, Black (High Inertia) Left 2/set, Black (High Inertia) Right 2/set, Black (High Inertia) Complete Set, Boron (High Inertia)	SHI SBM0150 SHI SBM0152 SHI SBM0154 SHI SBM0146
750, 751, 850, 851, 852, 855, 5650	Complete Set, Black (High Inertia) Left 2/set, Black (High Inertia) Right 2/set, Black (High Inertia) Complete Set, Boron (High Inertia) Complete Set, Black Left 2/set, Black Right 2/set, Black Thresher Bar Left, Black Thresher Bar Right, Black Thresher Bar Left, Chrome Thresher Bar Right, Chrome	SHI SBM0120 SHI SBM0122 SHI SBM0124 SHI SBM0116 SHI SBM0340 SHI SBM0342 SHI SBM0344 SHI SBM0200 SHI SBM0202 SHI SBM0205 SHI SBM0207

**FITS MASSEY FERGUSON**

**Sunnybrook Cylinder Bars and Kits (continued)**

APPLICATION	DESCRIPTION	PART NUMBER
760, 860, 865	Complete Set, Black (High Inertia) Left 2/set, Black (High Inertia) Right 2/set, Black (High Inertia) Complete Set, Boron (High Inertia) Complete Set, Black Left 2/set, Black Right 2/set, Black Thresher Bar Left, Black Thresher Bar Right, Black Thresher Bar Left, Chrome Thresher Bar Right, Chrome	SHI SBM0090 SHI SBM0092 SHI SBM0094 SHI SBM0086 SHI SBM0350 SHI SBM0352 SHI SBM0354 SHI SBM0200 SHI SBM0202 SHI SBM0205 SHI SBM0207
8450 (OEM Cylinders)	Complete Set, 6 Hole, Black Bar 2/set, 6 Hole, Black Complete Set, 6 Hole, Boron	SHI SBC0040 SHI SBC0042 SHI SBC0036
8450 (High Inertia Generation I Cylinders)	Special Set, Black Special Bar 2/set, Black Special Set, Boron	SHI SBC0240 SHI SBC0242 SHI SBC0226
8460 (OEM Cylinders)	Complete Set, 6 Hole, Black Bar 2/set, 6 Hole, Black Complete Set, 6 Hole, Boron	SHI SBC0120 SHI SBC0122 SHI SBC0106
8460 (High Inertia Generation I Cylinders)	Special Set, Black Special Bar 2/set, Black Special Set, Boron	SHI SBC0250 SHI SBC0252 SHI SBC0236
8560, 8570, 8780, 8590 (9700, 9720 White)	Front Angle, Black (Set of 3) Front Angle, Boron (Set of 3) Rear Flat, Black (Set of 3) Rear Flat, Boron (Set of 3)	SHI SBM0370 SHI SBM0376 SHI SBM0360 SHI SBM0366
8680 (OEM Cylinders)	Complete Set, Black Complete Set, Boron Left 2/set, Black Right 2/set, Black	SHI SBA0840 SHI SBA0846 SHI SBA0850 SHI SBA0860
8680 (High Inertia Generation II Cylinders)	Outer Left, Black (Each, Shipped in Pairs) Outer Left, Boron (Each, Shipped in Pairs) Left, Black (Each, Shipped in Pairs) Left, Boron (Each, Shipped in Pairs) Outer Right, Black (Each, Shipped in Pairs) Outer Right, Boron (Each, Shipped in Pairs) Right, Black (Each, Shipped in Pairs) Right, Boron (Each, Shipped in Pairs) Complete Set, Black Complete Set, Boron	SHI SBG2520 SHI SBG2526 SHI SBG2530 SHI SBG2536 SHI SBG2540 SHI SBG2546 SHI SBG2550 SHI SBG2556 SHI SBG2650 SHI SBG2656
9790	Forward Wide, Black (Each, Shipped in Pairs) Forward Wide, Boron (Each, Shipped in Pairs) Reverse Wide, Black (Each, Shipped in Pairs) Reverse Wide, boron (Each, Shipped in Pairs) Impeller, ASY, 3/8", C1045 Blade	SHI SBA0530 SHI SBA0536 SHI SBA0550 SHI SBA0556 SHI SBM0380

## FITS MASSEY FERGUSON

### Harvest Concave for Conventional Combines

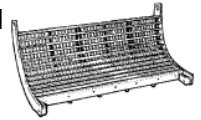
**How Harvest Concaves for conventional & rotary combines differ from original factory concaves.**

- Made from 1045 carbon steel
- Precision bored for a proper fit
- Heavier and stronger than OEM to maintain their shape
- More bar over the wire for improved threshing performance and longer life
- Wire diameters are larger so that they keep their shape and last longer
- Holes are drilled, not punched for a snug wire fit so that there is no wire-to-hole gap to trap straw

DESCRIPTION	WT	PART NO.
MF 405, 410 HIGH WIRE - COMPLETE WITH FRONT & REAR FEED PLATES	134	CYL CO2210HW
MF 510, 550 HIGH WIRE - COMPLETE WITH FRONT & REAR FEED PLATES	160	CYL CO2220HW
MR 750, 751 HIGH WIRE - COMPLETE WITH FRONT & REAR FEED PLATES	279	CYL CO2230HW
MF 760 HIGH WIRE - COMPLETE WITH FRONT & REAR FEED PLATES	345	CYL CO2240HW
MF 850, 851 HIGH WIRE - COMPLETE WITH FRONT & REAR FEED PLATES	295	CYL CO2250HW
MF 860 HIGH WIRE - COMPLETE WITH FRONT & REAR FEED PLATES	349	CYL CO2260HW
MF 8450, CLAAS 86/96, CI 9650 HIGH WIRE	221	CYL CO2620HW
MF 8460, CLAAS 116 HIGH WIRE	242	CYL CO2630HW

### Concaves and Components

All concaves are LINE BORED for uniform height of bars at cylinder contact points and have added strength at stress points. These concaves are made of heavy duty high carbon steel cross bars and high carbon steel 1/4" wires. Narrow spaced rotary concaves feature low wire for more aggressive separation. Holes are drilled to provide a tight wire fit, which prevents spearing and trapping of straw. Corn concaves feature wider spacing and high wires to prevent plugging between bars.



APPLICATION	DESCRIPTION	PART NUMBER
405*, 410*, 540	New Concave, Wide Space - Corn *If short lip front plate is required use P/N CYL WPD MF-410S	CYL WP248469E92
510, 550	New Concave, Narrow Space w/ front & rear plates	CYL WP248130E92
510, 550	New Concave, Wide Space - Corn w/ front & rear plates	CYL WP248131E92
750	New Concave, Wide Space - Corn w/ front & rear plates	CYL WP258843E92
750	New Concave, Narrow Space w/ front & rear plates	CYL WP258842E92
760	New Concave, Wide Space - Corn w/ front & rear plates	CYL WP273632E92
760	New Concave, Narrow Space w/ front & rear plates Replaces OE P/N 278485E92	CYL WP273631E92
850	New Concave, Wide Space - Corn w/ front & rear plates	CYL WP278485E92
850	New Concave, Narrow Space w/ front & rear plates Replaces OE P/N 278484E92	CYL WP278442E92
860	New Concave, Wide Space - Corn w/ front & rear plates Replaces OE P/N 278443E92	CYL WP278484E92
860	New Concave, Narrow Space, Set of 7	CYL WP278443E92
8560, 8570	New Concave, Wide Space - Corn, Set of 7 Replaces OE P/N 2640891W91 / 2464751W91	CYL WP2470701W91
8560, 8570	New Concave, Narrow Space, Set of 7 Replaces OE P/N 31-2490461	CYL WP2464751W91
8590	New Concave, Narrow Space, Set of 7 Replaces OE P/N 31-2442871	CYL WP31-2490461

## FITS MASSEY FERGUSON

### Concaves and Components (continued)

APPLICATION	DESCRIPTION	PART NUMBER
8590	New Concave, Wide Space - Corn, Set of 7 Replaces OE P/N 31-2442781	CYL WP31-2442874
8590	New Concave, Wide Space - Corn, Set of 7 Replaces OE P/N 31-2442781	CYL WP31-2442781
760	New Rear Deflector	CYL WP270616M2
860	New Concave Front Plate, Replaces: 278438M91, 278482M91	CYL WP278438M91

### Sunnybrook Concaves and Components

APPLICATION	DESCRIPTION	PART NUMBER
405, 410, 540	1" Black Heavy Duty 2" Black Heavy Duty	SHI SBM0180 SHI SBM0170
510, 550	1" Black Heavy Duty	SHI SBM0140
750, 751	1" Black Heavy Duty 2" Black Heavy Duty	SHI SBM0110 SHI SBM0100
760	1" Black Heavy Duty 2" Black Heavy Duty	SHI SBM0080 SHI SBM0070
850, 851, 852, 855, 5650	1" Black Heavy Duty 2" Black Heavy Duty	SHI SBM0050 SHI SBM0040
860, 865	1" Black Heavy Duty 2" Black Heavy Duty	SHI SBM0020 SHI SBM0010
8450	1" Black Heavy Duty	SHI SBC0020
8460	1" Black Heavy Duty	SHI SBC0150
8560, 8570, 8780, 9790	Single Narrow, Black (Requires 7) Single ¼" Narrow, Black (Requires 7) Single Narrow, High Wire, Black (Requires 7) Single Wide, Black (Requires 7) Single Wide, High Wire, Black (Requires 7) Single Narrow, Boron (Requires 7)	SHI SBM0270 SHI SBM0272 SHI SBM0290 SHI SBM0280 SHI SBM0300 SHI SBM0266
8590 (9700, 9720 White)	Single Narrow, Black (Requires 7) Single Wide, Black (Requires 7) Single Narrow, High Wire, Black (Requires 7) Single Wide, High Wire, Black (Requires 7)	SHI SBM0250 SHI SBM0260 SHI SBM0230 SHI SBM0240
8680	Complete Assembly, Narrow, Black Complete Assembly, Narrow, Chrome Complete Assembly, Wide, Black Complete Assembly, Wide, Chrome Front Assembly Grate, Narrow, Black Front Assembly Grate, Narrow, Chrome Front Assembly Grate, Wide, Black Front Assembly Grate, Wide, Chrome Rear Assembly, Wide, Black Rear Assembly, Wide, Chrome Wear Strip Bar, Black Wear Strip Bar, Boron	SHI SBA0720 SHI SBA0725 SHI SBA0730 SHI SBA0735 SHI SBA0740 SHI SBA0745 SHI SBA0750 SHI SBA0755 SHI SBA0752 SHI SBA0757 SHI SBA0760 SHI SBA0766

# FITS MASSEY FERGUSON

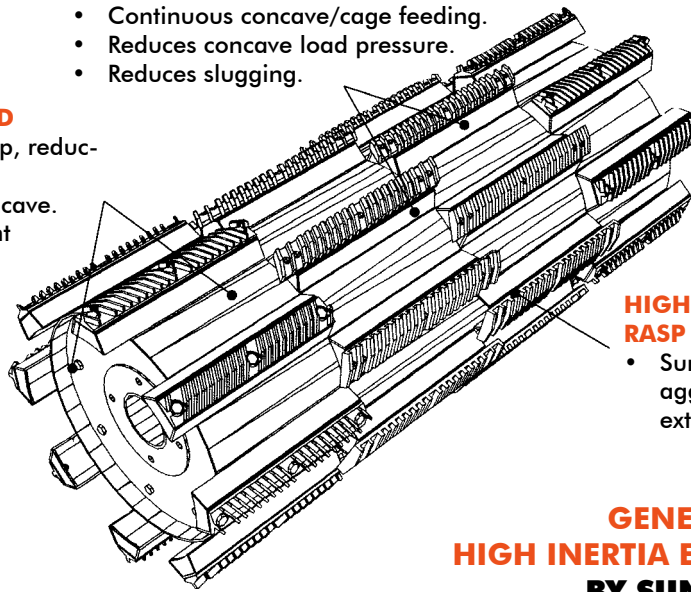
## Sunnybrook High Inertia Cylinders

### KNUCKLED DESIGN

- Continuous concave/cage feeding.
- Reduces concave load pressure.
- Reduces slugging.

### HIGH INERTIA ENCLOSED

- Eliminates trash build up, reducing vibration.
- Forces crop against concave.
- Rigid cylinder bar mount (eliminates bar flexing).



### HIGH PROFILE BORONIZED RASP BAR

- Surface Engineered, aggressive design, extended service life.

## GENERATION II HIGH INERTIA ENCLOSED CYLINDER BY SUNNYBROOK

APPLICATION	DESCRIPTION	PART NUMBER
8450	Generation I w/Black Bars	SHI SBC0130
8460	Generation I w/Black Bars	SHI SBC0090
8680	Generation II w/Black Bars Generation II w/Boron Bars	SHI SBA0710 SHI SBA0716

## Sunnybrook Stripper Bars

APPLICATION	DESCRIPTION	PART NUMBER
8560, 8570, 8780	Reversible, Black (Requires 3) Reversible, Black w/Bolts (Requires 3)	SHI SBM0310 SHI SBM0320
8590 (9700, 9720 White)	Reversible, Black (Requires 6) Reversible, Black w/Bolts (Requires 6)	SHI SBW0050 SHI SBW0060

## Miscellaneous

DESCRIPTION	PART NUMBER
Filler Plates (Conventional Concaves, Advise Model Number)	SHI SBFP0010
Gudgeon Shaft	SHI SBA05012A
Tool/Lazee Lazer	SHI SBLL0050
Shim/Cylinder Bar (All Makes), 100/Pkg	SHI SBSH0020

## Rethresher Bars & Channels

APPLICATION	DESCRIPTION	PART NUMBER
	New Rethresher Bars, 8 Bars Replaces OE P/N 252240M1 / 252242M1	CYL WPOMFRT-101
	New Rethresher Bars, 8 Bars - chrome	CYL WPOMFRT-101C
	New Channels, 6 Channels	CYL WP252318M1
	New Channels, 6 Channels - chrome	CYL WPOMFCH-200C

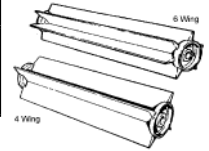


## FITS MASSEY FERGUSON

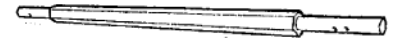
### Sunnybrook Beaters

Balance 4 and 6 deep fin backbeaters, increase stripping action and help prevent backfeeding over the top of the cylinder. Both styles of beaters are welded assemblies and are made of heavy duty abrasive resistant steel.

APPLICATION	DESCRIPTION	PART NUMBER
8680	Heavy Duty Deep Wing Serrated Blades, Black Serrated Blades, Boron	SHI SBA0890 SHI SBA0592 SHI SBA0596



### Concave Stone Trap Hex Shafts

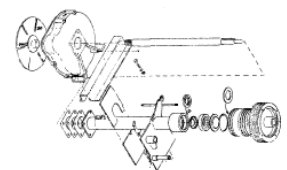


APPLICATION	DESCRIPTION	PART NUMBER
750, 850	New Concave Stone Trap Hex Shaft, 1" x 56 <sup>23</sup> / <sub>32</sub> "	CYL WP259608M1
760, 860	New Concave Stone Trap Hex Shaft, 1" x 67 <sup>3</sup> / <sub>64</sub> " Replaces OE P/N 283032M1	CYL WP280170M1

### Cleaning Fan Shafts

APPLICATION	DESCRIPTION	PART NUMBER
750 (Eff S/N 2311), 850 (Prior S/N 25803)	New Fan Shaft	CYL WP259160M1
760, 860 (Prior S/N 17403)	New Fan Shaft	CYL WP256728M1

### Power Shafts, Bearings, & Seals



APPLICATION	DESCRIPTION	PART NUMBER
750 w/ Dsl Eng (Prior S/N 19595)	New Shaft	CYL WP253310M1
750 w/ Dsl Eng (Eff S/N 19595), 850 w/ Diesel Eng (Prior S/N 25656)	New Shaft	CYL WP280481M1
760 w/ AT6.354 Dsl Eng (Prior S/N 11176)	New Shaft	CYL WP270575M1
760 w/ AT6.354 Eff. S/N 11177; 860 w/ AT6.354 Prior S/N 16559	New Shaft	CYL WP280473M1
760 w/ V8-540 Dsl Eng (Prior S/N 11176)	New Shaft	CYL WP274210M1
760 w/ V8-540 Dsl Eng (Eff S/N 11176) 860 w/ V8-540 Dsl Eng (Prior S/N 16558)	New Shaft	CYL WP280474M1
850 w/ Diesel Eng (Eff S/N 25656)	New Shaft	CYL WP284580M1
860 w/ AT6-354 Dsl Eng (Eff S/N 16558)	New Shaft	CYL WP284578M1
860 w/ V8-540 Dsl Eng (Eff S/N 16558)	New Shaft	CYL WP284579M1
750 w/ Dsl Eng (S/N 4597-19595), 760 w/ AT6.354 Dsl Eng (S/N 2474-11176) 760 w/ V8-540 Dsl Eng (S/N 2474-11176)	New Bearing	CYL WP842415M1
850 w/ Dsl Eng (Eff S/N 25656), 860 w/ AT6.354 Dsl Eng (Eff S/N 16558) 860 w/ V8-540 Dsl Eng (Eff S/N 16558)	New Bearing	CYL WP844520M1
750 w/ Dsl Eng Eff. S/N 19595; 760 w/ AT6.354 / V8540 Dsl Eng Eff. S/N 11176 850 w/ Dsl Eng Prior S/N 25656; 860 - w/ AT6.354 / V8-540 Prior S/N 16559	New Bearing	CYL WP280469M1



## FITS MASSEY FERGUSON

### Elevator Chain

Our elevator chains have rubber paddles. Paddles are fastened to the chain with  $\frac{5}{16}$ " plated bolts and locknuts. Chains feature full side plates for added strength. To extend the life of your chain assemblies, always replace the sprockets when installing a new chain.



APPLICATION	DESCRIPTION	PART NUMBER
410, 540	New Clean Grain Elevator Chain 124 links - 5 $\frac{1}{4}$ " x 3 $\frac{1}{2}$ " paddles every 4th link	CYL WP240610M92
410 (Eff S/N 1200011759) 510 (Eff S/N 12010090015), 550 (Prior S/N 236302121)	New Clean Grain Elevator Chain 112 links - 5 $\frac{1}{4}$ " x 3 $\frac{1}{2}$ " paddles every 4th link	CYL WP248551M91
510	New Clean Grain Elevator Chain 146 links - 5 $\frac{1}{4}$ " x 3 $\frac{1}{2}$ " paddles every 4th link	CYL WPX29006
550 (Eff S/N 23602121)	New Clean Grain Elevator Chain 135 links 5 $\frac{3}{8}$ " x 3 $\frac{1}{2}$ " paddles every 4th link	CYL WP268341M91
750, 760, 850 (Prior S/N 1696027543), 860	New Clean Grain Elevator Chain 140 links - 5 $\frac{5}{8}$ " x 3 $\frac{1}{2}$ " paddles every 4th link	CYL WP253167M91
750, 760, 850, 860	New Clean Grain Elevator Chain 172 links - 5 $\frac{5}{8}$ " x 3 $\frac{1}{2}$ " paddles every 4th link	CYL WP270725M91
8560, 8570, 8590, 8780	New Clean Grain Elevator Chain 146 links - 9 $\frac{1}{2}$ " x 3 $\frac{1}{8}$ " paddle every 4th link	CYL WP2605873W91
300, 410, 510, 550,	New Return Grain Elevator Chain 45 links - 3 $\frac{5}{8}$ " x 3 $\frac{1}{4}$ " paddles every 4th link	CYL WP248504M91
8590, 9700, 9720	New Return Grain Elevator Chain 154 links - 5 $\frac{5}{8}$ " x 3 $\frac{1}{8}$ " paddles every 4th link	CYL WP31-2605863L

### Elevator Chain Sprockets

To extend the life of your chain assemblies, always replace the sprockets when installing a new chain.



APPLICATION	DESCRIPTION	PART NUMBER
550 (Eff S/N 236302121), 750, 760, 850, 860	New Clean Grain Elevator Chain Sprocket, Upper 8 Teeth, 1.125"	CYL WP255806M1 CYL WP255806M1H (Hardened)
8560, 8570	New Clean Grain Elevator Chain Sprocket, Upper 11 Teeth, 1.250"	CYL WP2412960W1
750, 760, 850, 860	New Clean Grain Elevator Chain Sprocket, Lower 8 Teeth, 1.125"	CYL WP255806M1 CYL WP255806M1H (Hardened)
750, 760, 850, 860	New Return Grain Elevator Chain Sprocket, Upper 8 Teeth, 1.0625"	CYL WP270277M1 CYL WP270277M1H (Hardened)
750, 760, 850, 860	New Return Grain Elevator Chain Sprocket, Upper 8 Teeth, 1.125"	CYL WP255806M1 CYL WP255806M1H (Hardened)
8560, 8570	New Return Grain Elevator Chain Sprocket, Upper 8 Teeth, 1.125"	CYL WP270277M1 CYL WP270277M1H (Hardened)
750, 760, 850, 860	New Return Grain Elevator Chain Sprocket, Lower 8 Teeth, 1.125"	CYL WP255806M1 CYL WP255806M1H (Hardened)
8560, 8570	New Return Grain Elevator Chain Sprocket, Lower, 8 Teeth, 1.125"	CYL WPW9863030

### Unloading Auger Swing Cylinders

APPLICATION	DESCRIPTION	PART NUMBER
750, 760, 850, 860	New Unloading Auger Swing Cylinder Replaces: 274348M1, 274349M1, 842673M92	CYL WP1748368M91



## FITS MASSEY FERGUSON

### Augers - Lower Clean Grain

APPLICATION	DESCRIPTION	PART NUMBER
750, 850	New Lower Clean Grain Auger Bearing	CYL WP258839M91 BED SA205-16
760, 860	New Lower Clean Grain Auger Bearing	CYL WP273615M91 BED SA205-16



### Augers - Lower Tailing Return

APPLICATION	DESCRIPTION	PART NUMBER
750, 850	New Return Grain Auger Bearing Bearing	CYL WP280384M91 CYL WP6206LL BED SA205-16
760, 860	New Return Grain Auger Bearing Bearing	CYL WP280383M91 CYL WP6206LL BED SA205-16

### Augers - Bottom Bin Cross

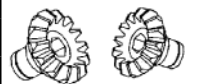
APPLICATION	DESCRIPTION	PART NUMBER
750, 850	New Bottom Bin Cross Auger Bearing Bearing	CYL WP253847M91 207FF BED SA205-16

### Augers - Unloading

APPLICATION	DESCRIPTION	PART NUMBER
750 Eff. S/N 13713, 760 Eff. S/N 07663, 850, 860	Horizontal Unloading Auger Bearing 142" Long	CYL WP265112M91 BED SA204-12

### Unloading Auger Gears

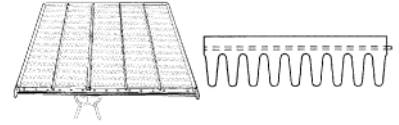
APPLICATION	DESCRIPTION	PART NUMBER
300, 410, 510, 550	New Unloading Auger Gear, Round Bore (w/14 Teeth, $1\frac{5}{16}$ "	CYL WP250663M2
410, 510, 550	New Unloading Auger Gear, Hex Bore (w/14 Teeth)	CYL WP238979M2
750 (Prior S/N 169613713), 760 (Prior S/N 174607663)	Upper Unloading Auger Gear 14 Tooth, .880" Hex I.D., 3.490" O.D., 2 Used per machine.	CYL WP254428M1
750 (Eff S/N 169613714), 760 (Eff S/N 174607664), 850, 860	Upper Unloading Auger Gear 14 Tooth, .880" Hex I.D., 3.625" O.D., 2 Used per machine.	CYL WP265465M1
750, 760, 850, 860	New Unloading Auger Gear, Round Bore (w/20 Teeth, $1\frac{3}{8}$ "	CYL WP271608M
750, 760, 850, 860	New Unloading Auger Gear, Round Bore (w/27 Teeth, $1\frac{5}{16}$ "	CYL WP271609M



## FITS MASSEY FERGUSON

### Short Finger Top Chaffers

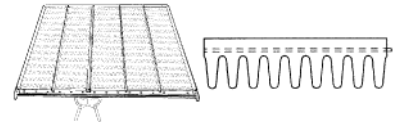
Adjustable Short Finger Chaffers - These adjustable Chaffers feature nylon adjustable mechanisms and cushions in each wire hole to improve adjustments and reduce friction, wear, and breakage. Individual replacement louvers make for easier repairs. Wire spacing is 1 <sup>1</sup>/<sub>8</sub>".



APPLICATION	DESCRIPTION	PART NUMBER
510, 550	New Short Finger Top Chaffer, 43.38" x 34.00"	CYL WP252259M92
750, 850	New Short Finger Top Chaffer, 48.00" x 39.28"	CYL WPSFMFT-750
760, 860	New Short Finger Top Chaffer, 58.00" x 39.28"	CYL WP273024M92
8560, 8570	New Short Finger Top Chaffer, 49.86" x 78.75"	CYL WPSFMF-8560
8590	New Short Finger Top Chaffer, 57.86" x 78.75"	CYL WPSFMF-9700

### Long Finger Top Chaffers

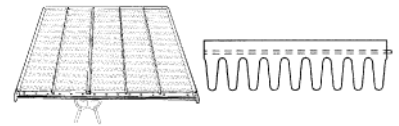
Adjustable Long Finger Chaffers - These adjustable Chaffers feature nylon adjustable mechanisms and cushions in each wire hole to improve adjustments and reduce friction, wear, and breakage. Individual replacement louvers make for easier repairs. Wire spacing is 1 <sup>5</sup>/<sub>8</sub>".



APPLICATION	DESCRIPTION	PART NUMBER
510, 550	New Long Finger Top Chaffer, 43.38" x 34.00"	CYL WP252270M92
750, 850	New Long Finger Top Chaffer, 48.00" x 39.28"	CYL WPLFMFT-750
760, 860	New Long Finger Top Chaffer, 58.00" x 39.28"	CYL WP271491M92
8560, 8570	New Long Finger Top Chaffer, 49.86" x 78.75"	CYL WP2527183W91
8590	New Long Finger Top Chaffer, 57.86" x 78.75"	CYL WPLFMF-9700

### Short Finger Middle Chaffers

Adjustable Short Finger Chaffers - These adjustable Chaffers feature nylon adjustable mechanisms and cushions in each wire hole to improve adjustments and reduce friction, wear, and breakage. Individual replacement louvers make for easier repairs. Wire spacing is 1 <sup>1</sup>/<sub>8</sub>".

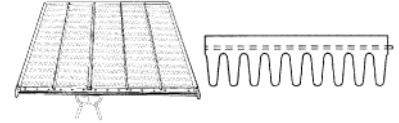


APPLICATION	DESCRIPTION	PART NUMBER
510, 550	New Short Finger Middle Chaffer, 43.38" x 39.50"	CYL WP228135M91
750, 850	New Short Finger Middle Chaffer, 48.00" x 39.28"	CYL WP293027M91
760, 860	New Short Finger Middle Chaffer, 58.00" x 39.28"	CYL WP293026M91

## FITS MASSEY FERGUSON

### Blunt Finger Bottom Sieves

Adjustable Blunt Finger Sieves - These adjustable sieves feature nylon adjustable mechanisms and cushions in each wire hole to improve adjustments and reduce friction, wear, and breakage. Individual replacement louvers make for easier repairs. Wire spacing is 1 1/8".



APPLICATION	DESCRIPTION	PART NUMBER
510, 550	New Blunt Finger Bottom Sieve, 43.38" x 39.50"	CYL WP228136M91
750, 850	New Blunt Finger Bottom Sieve, 48.00" x 39.28"	CYL WP259196M93
750, 850	New Blunt Finger Bottom Sieve, 48.00" x 39.28"	CYL WPSFMFB-750
760, 860	New Blunt Finger Bottom Sieve, 58.00" x 39.28"	CYL WP274095M93
760, 860	New Blunt Finger Bottom Sieve, 58.00" x 39.28"	CYL WPSFMFB-760
8560, 8570	New Blunt Finger Bottom Sieve	CYL WP2476463W91
8590	New Blunt Finger Bottom Sieve	CYL WPBFMFB-9700

### Grain Pans and Components

Our grain pans are built heavier than OE and have galvanized pans to prevent rusting. Ripple pan may be ordered separately. Replaceable front sections are available.



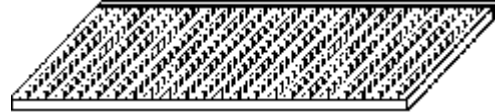
APPLICATION	DESCRIPTION	PART NUMBER
510, 550	New Galvanized Pan Insert, Front, For 3 piece style grain pans. Due to OEM variations, the fins for front pans are included but not mounted. Includes mounting hardware.	CYL WPGPMF-510-2G
750, 850	New Galvanized Grain Pan w/ front pans, 3 piece style grain pan	CYL WPGPMF-750-13G
750, 850	New Galvanized Pan Inserts, Front w/ Fins, For 3 piece style grain pans. Due to OEM variations, the fins for front pans are included but not mounted. Includes mounting hardware.	CYL WPGPMF-750-FG
750, 850	New Galvanized Pan Inserts, Rear w/ Fins, For 3 piece style grain pans. Due to OEM variations, the fins for front pans are included but not mounted. Includes mounting hardware.	CYL WPGPMF-750-RG
760, 860	New Galvanized Grain Pan w/ front pans, 3 piece style grain pan.	CYL WPGPMF-760-13G
760, 860	New Galvanized Pan Insert, Front w/ Fins, For 3 piece style grain pans	CYL WPGPMF-760-FG
760, 860	New Galvanized Pan Insert, Rear w/ Fins, For 3 piece style grain pans. Due to OEM variations, the fins for front pans are included but not mounted. Includes mounting hardware.	CYL WPGPMF-760-RG

# FITS MASSEY FERGUSON

## Harvest Sieves - Air foil chaffers, plastic adjustable top & bottom sieves

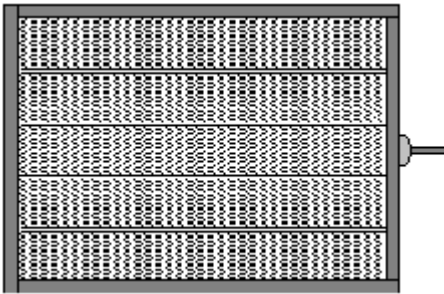
### ALL STEEL AIRFOIL CHAFFER

- Uniform air distribution across entire width of chaffer.
- Cushion of air keeps lighter material suspended while heavier material (grain) falls through.
- Air is directed almost straight up.
- No adjustments - just fan speed.
- Almost 100% recovery from canola to beans.
- Money Back Guarantee & Lifetime Warranty.

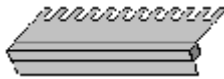


### PLASTIC ADJUSTABLE

- Patented plastic sieve is appr. 40% lighter than steel.
- Top chaffer - 1 3/8" spacing standard for 1 1/2" for corn.
- Precision adjustments by increments.



### PLASTIC LOUVER



- Cupped tail scoop on bottom side of louver forces air more vertical.
- Plastic louvers won't rust.
- Smooth profile of louvers reduce sappy weed buildup & "icing."
- Plastic louvers, joiners, etc. are fully replaceable.

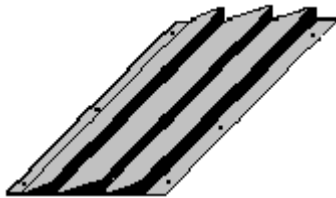
DESCRIPTION	TO FIT	L x W	WT	PART NO.
AIRFOIL CHAFFER	MF 750, 751, 850, 851, 852 & KIT	66" x 48"	96	CYL CH1215
ADJUSTABLE CHAFFER	MF 750, 751, 850, 851, 852	39" x 48"	48	SHI ACH1215
MIDDLE SIEVE	MF 750, 751, 850, 851, 852	39" x 48"	45	SHI BS1214
BOTTOM SIEVE	MF 750, 751, 850, 851, 852	39" x 48"	45	SHI BS1215
FILLER SIEVE	MF 750, 751, 850, 851, 852 (REPLACES FRONT SCREEN)	26" x 48"	33	SHI BS1216
AIRFOIL CHAFFER	MF 760, 860 & KIT	66" x 58"	80	CYL CH1220
ADJUSTABLE CHAFFER	MF 760, 860	39" x 58"	51	SHI ACH1220
MIDDLE SIEVE	MF 760, 860	39" x 58"	60	SHI BS1219
BOTTOM SIEVE	MF 760, 860	39" x 58"	60	SHI BS1220
FILLER SIEVE	MF 760, 860 (REPLACES FRONT SCREEN)	26" X 58"	45	SHI BS1221
AIRFOIL CHAFFER	MF 8560, 8570, 8780	79" x 50"	110	CYL CH1225
ADJUSTABLE CHAFFER	MF 8560, 8570, 8780	79" x 50"	90	SHI ACH1225
BOTTOM SIEVE	MF 8560, 8570, 8780	58" x 50"	60	SHI BS1225
AIRFOIL CHAFFER	MF 9690	79" x 50"	83	CYL CH1230
AIRFOIL CHAFFER	MF 9790	79" x 61"	95	CYL CH1235
AIRFOIL CHAFER	MF 8590, WH9700, 9720	79" x 58"	95	CYL CH1320
BOTTOM SIEVE	MF 8590, WH9700, 9720	58" x 58"	80	SHI BS1320
AIRFOIL CHAFFER	MF 8460, CL 106, CL 116 (2 PC)	69" x 30"	70	CYL CH1810
ADJUSTABLE CHAFFER	MF 8460, CL 106, CL 116 (2 PC)	69" x 30"	80	SHI ACH1810
BOTTOM SIEVE	MF 8460, CL 106, CL 116 (2 PC)	51" x 30"	61	SHI BS1810

# FITS MASSEY FERGUSON

## Harvest Sieve Replacement Parts

PART NO.	DESCRIPTION	
SHI ACHPLASTIC	LOUVER FOR TOP ADJUSTABLE SIEVE	PLEASE SPECIFY LENGTH NEEDED WHEN ORDERING
SHI BSCPLASTIC	LOUVER FOR BOTTOM ADJUSTABLE SIEVE	PLEASE SPECIFY LENGTH NEEDED WHEN ORDERING
SHI PLCONNECTOR	CONNECTOR FOR SIEVES	
SHI PLCRANK	CRANK FOR SIEVES	
SHI PLENDCAP	END PINS FOR SIEVES	
CYL HANDLE	ADJUSTMENT HANDLE FOR SIEVES	OLD STYLE (PRE 03)
CYL HANDLE 03	ADJUSTMENT HANDLE FOR SIEVES	NEW STYLE (03)

## Ripple Tins, Dividers and Deflectors



**RIPPLE TINS**

Use on front of Airfoil Chaffer when combining small seeded crops & when spearing is a problem.



**DIVIDERS**

Mount on the chaffer to provide a more even distribution on the chaffer..



**DEFLECTORS**

Keep the grain off the side rails.

PART NO.	DESCRIPTION	WT
RIPPLE TINS	ORDER RIPPLE TINS USING THE CHAFFER STOCK NUMBER SUBSTITUTING RT FOR CH	5
DIVIDERS		4
DEFLECTORS		2

## FITS MASSEY FERGUSON

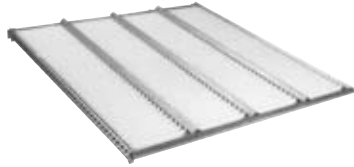
### Gateway Sieves - Aluminum Frame, Plastic Finger Adjustable Sieves and Chaffers

#### Aluminum Frame - Plastic Fingers

- Lightweight - up to 50% lighter than OEM
- Rustproof
- Less chaff buildup
- Improved grain cleaning - plastic teeth offer less resistance and work well with both small grain and high yield corn
- Infinitely adjustable slats featuring easy to use adjustment handles
- Available in 2 row-to-row spacing widths:
  - wide (45 mm) for corn and soybeans
  - narrow (33 mm) for smaller cereal grains



HCC, inc.



#### Tooth Design

- $\frac{3}{8}$ " short tooth (ST)
- $\frac{7}{8}$ " long tooth (LT)
- Standard chaffer offered with long tooth and can replace a deep tooth (1- $\frac{1}{4}$ " slat



#### Modular Construction

- Allows easy and cost-effective repair
- All components are replaceable
- Slat connectors allow precise adjustment - infinite angles and optimal cleaning performance

#### Optional Divider Riser Kit

- For side hill conditions
- 002641 kit mounts to existing risers
- Each kit comes with 12 clips and 24 rivets (divider risers not included)

### 9790

Description	Replaces OEM #	Frame Size	Wt.	Panels Rep#/Orig#	Adjusters Rep#/Orig#	Row-to-Row	Tooth	Part No.
Top Chaffer 9790 45LT - 4P	71392680	61.16 x 78.75	90	4/6	1/1	45mm (1- $\frac{5}{8}$ "	long	SHI 002582
Top Chaffer 9790 33LT - 4P	71387678	61.16 x 78.75	96	4/6	1/1	33mm (1- $\frac{1}{8}$ "	long	SHI 002583
Bottom Sieve 9790 33ST - 4P	71387676	61.30 x 65.88	90	4/6	1/1	33mm (1- $\frac{1}{8}$ "	short	N/A
Bottom Sieve 9790 33LT - 4P	71387677	61.30 x 65.88	90	4/6	1/1	33mm (1- $\frac{1}{8}$ "	long	N/A

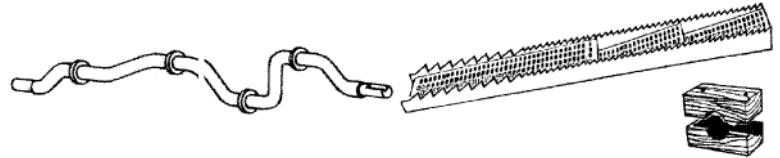
### 9690

Description	Replaces OEM #	Frame Size	Wt.	Panels Rep#/Orig#	Adjusters Rep#/Orig#	Row-to-Row	Tooth	Part No.
Top Chaffer 9690 45LT - 3P	71395865	49.86 x 78.75	72	3/5	1/1	45mm (1- $\frac{5}{8}$ "	long	SHI 002577
Top Chaffer 9690 33LT - 3P	71392698	49.86 x 78.75	78	3/5	1/1	33mm (1- $\frac{1}{8}$ "	long	SHI 002578
Bottom Sieve 9690 33ST - 3P	71392696	50.00 x 65.88	74	3/5	1/1	33mm (1- $\frac{1}{8}$ "	short	N/A
Bottom Sieve 9690 33LT - 3P	71392697	50.00 x 65.88	74	3/5	1/1	33mm (1- $\frac{1}{8}$ "	long	N/A



## FITS MASSEY FERGUSON

### Straw Walkers and Parts



APPLICATION	DESCRIPTION	PART NUMBER
750	New Straw Walkers, Lip type, 3 louvre	CYL WP258722E91
760	New Straw Walkers, Lip type, 4 louvre - 119.5"	CYL WP273745E91
850	New Straw Walkers, Lip type, 3 louver - 143" Universal model, notch out to fit RH or LH sides	CYL WP283147E95
860	New Straw Walkers, Lip type, 4 louver Universal model, notch out to fit RH or LH sides	CYL WP283146E95
760, 860 (Prior S/N 19585)	New Straw Walker Crank, Rear	CYL WP271200M91
860 (Eff. S/N 19585)	New Straw Walker Crank, Rear	CYL WP293919M91
510, 550, 750, 751, 850, 852	New Walker Wood Bearing Block, Set of two half blocks c/w hardware, steel plate & shims.	CYL WP836784M92
760, 860	New Walker Wood Bearing Block, Set of two half blocks c/w hardware, steel plate & shims.	CYL WP836751M92

### Straw Walker Return Pans

APPLICATION	DESCRIPTION	PART NUMBER
760, 860	Walker Return Pan Wood Bearing Block, Middle, One set of two half blocks per number. Replaces OE P/N 836752M92	CYL WP836752M92
760, 860	Walker Return Pan Wood Bearing Block, End, One set of two half blocks per number	CYL WP836874M92
860	New Walker Return Pan	CYL WP268471M92

### Straw Chopper Shafts

APPLICATION	DESCRIPTION	PART NUMBER
850 S/N 27554-> 860 S/N 19115->	Straw Chopper Shaft 15.310"	CYL WP284886M1

### Straw Chopper Blades

Hardened steel chopper blades - Set includes hardware. As part of the normal repair process, the entire drum should be dynamically balanced after the installation of new blade kits.

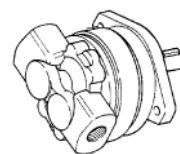


APPLICATION	DESCRIPTION	PART NUMBER
510 (11 sets), 540 (7 sets), 550 (11 sets), 750 (12 sets), 760 (14 sets), 850 (12 sets), 860 (14 sets)	New Strawchopper Blade Kit, Set of 3 w/ hardware Replaces OE P/N 31-7535350	CYL WP71310275
8560, 8570, 8750, 8780	New Straw Chopper Blades, Double Bevel, Hardware Not Included	CYL WPSCB310DB

## FITS MASSEY FERGUSON

### Hydraulic Pumps - Combine

APPLICATION	DESCRIPTION	PART NUMBER
410, 510, 540, 550	New Hydraulic Pump, Cessna P/N 24336-RAB	CYL WP252569M94
750, 760, 850, 860	New Hydraulic Pump, Cessna P/N 24337-LAR	CYL WP272085M1
8590, 9720	Hydraulic Pump, 24533 LAH, Replaces: 2408543W91	CYL WP31-2408543



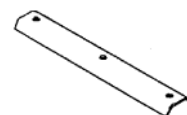
### Snapper Roll Shafts

APPLICATION	DESCRIPTION	PART NUMBER
24 thru 83 series & 1100 series	New Snapper Roll Shaft 26.062" Long Has splines on the upper end of shaft	CYL WP267507M1



### Cornhead Components

APPLICATION	DESCRIPTION	PART NUMBER
750, 760, 850, 860	New Corn Head Flutes	CYL WP264687M2



### Header Drive Shafts

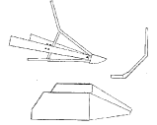
APPLICATION	DESCRIPTION	PART NUMBER
410, 540, 550	New Table Drive Shaft, 16.062" Lng	CYL WP268316M91
510, 540, 550	New Table Drive Shaft, 12.500" Lng	CYL WP268317M2
750	New Elevator Shaft	CYL WP258159M3
760, 860	New Header Drive Shaft, 70 .125" Lng Used w/ Paddle Style Feederhouses -	CYL WP274049M4
1486 Headers	New Auger Drive Shaft, 13.250" Lng	CYL WP260564M1
1859 Headers	New Auger Drive Shaft, 25.375" Lng	CYL WP261456M1
2381 Headers	New Auger Drive Shaft, 25" Lng	CYL WP282326M91
All Models	New Countershaft, Corn Head Drive Shaft	CYL WP263289M1
1859 Headers (EFF S/N 05618)	New Header Drive Shaft, 27.312" Lng	CYL WP245946M1
13' 1859 Rigid Heads (Prior S/N 330003)	New Header Drive Shaft, 49.875" Lng	CYL WP264495M3
15' 1859 Rigid Heads (Eff. S/N 56180, w/ elec. reel drive)	New Header Drive Shaft, 63.125" Lng	CYL WP245948M1
1133, 1143, 1153, 1163, 1183, 1124, 1134, 1144, 1154, 1164 Cornheads	New Header Drive Shaft Nut Header Drive Shaft Nut	CYL WP249677M1



## FITS MASSEY FERGUSON

### Short / Long Row Crop Dividers

Eliminate costly grain loss from knocked down plants. Change from Short to Long Dividers in minutes. Safer transportation. Easy storage. Sectional design allows you to replace only the damaged piece saving you money.

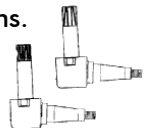


APPLICATION	DESCRIPTION	PART NUMBER
1859, 2381, 9000 Series Flex Heads	New Complete Set of Dividers <i>*See Note Below</i>	CYL WPSCD500MF (Short) <b>COMPONENTS</b> CYL WPSCD100MF-RH (Rear Divider (Sheet Metal) 1) CYL WPSCD100MF-LH (Rear Divider (Sheet Metal) 1) CYL WPSCD300 (Bar 2) CYL WPSCD250 (New Short Divider Tip 2)
1859, 2381, 9000 Series Flex Heads	New Complete Set of Dividers <i>*See Note Below</i>	CYL WPSCD400MF (Long) <b>COMPONENTS</b> CYL WPSCD100MF-RH (Rear Divider (Sheet Metal) 1) CYL WPSCD100MF-LH (Rear Divider (Sheet Metal) 1) CYL WPSCD300 (Bar 2) CYL WPSCD200 (New Short Divider Tip 2)
1859, 2381, 9000 Series Flex Heads	New Adapter Brackets Required to install Short / Long Row Crop Dividers on a header that is not equipped with OE long dividers	CYL WPSCDMFBRK
1859, 2381, 9000 Series Flex Heads	New Short Divider Tip	CYL WPSCD250

*\* Bracket CYL WPSCDMFBRK is required to install Short / Long Row Crop Dividers when replacing OE*

### Spindles - Combine

Spindle forgings are made of high grades of alloy steel and assembled to exact designed specifications. All spindles are designed to meet or exceed OEM specifications.



APPLICATION	DESCRIPTION	PART NUMBER
750, 850, 760, 860	New Spindles, Fine Spline	CYL WP274332M91
750, 850, 760, 860	New Spindle, Course Spline	CYL WP280297M92

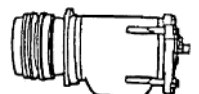
### Steering Arm - Combine

APPLICATION	DESCRIPTION	PART NUMBER
750, 760	New Steering Arm, Left Hand	CYL WP274330M1



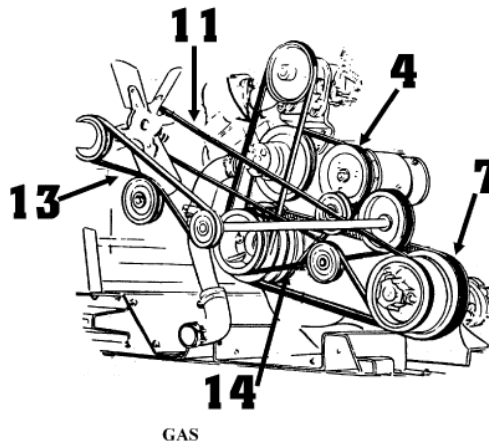
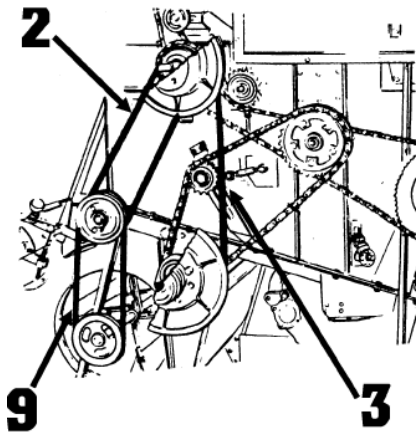
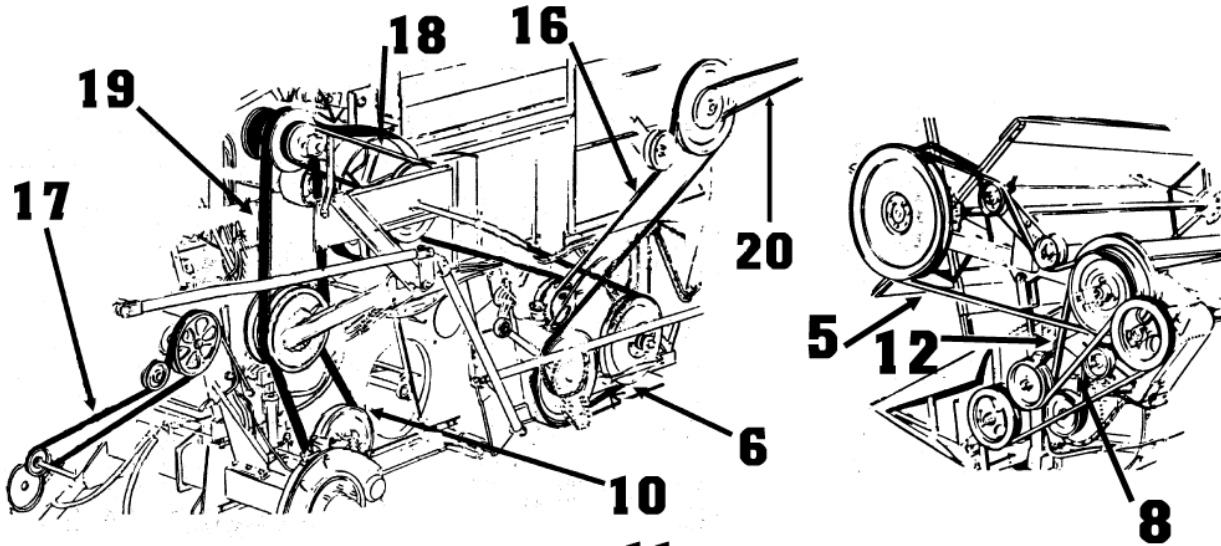
### Air Conditioners and Components - Combine

APPLICATION	DESCRIPTION	PART NUMBER
540, 550 Prior S/N 236305, 750 Eff. S/N 169609674, 760 Eff. S/N 174605829, 850 Prior S/N 1696025657, 860 Prior S/N 1746016558	New A6 Compressor 12 Volt 2 O'Clock Superheat Compressor Includes Superheat Switch 586126M91, 533713M91	CYL WPX10133
8680 Eff. S/N SX65101, 8780 Eff. S/N MJ87101	New Sanden Compressor, 5 1/4" 2-Groove Clutch Vertical Tube O-Ring w/o Charge Parts, 71379601	CYL WPX10130



FITS MASSEY FERGUSON

Belt - 300

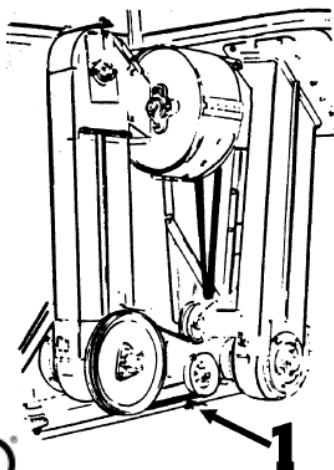


DIESEL ENG. WATER PUMP

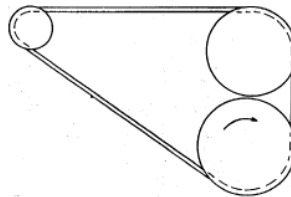
ALTERNATOR

ENGINE CRANKSHAFT PULLEY

GAS



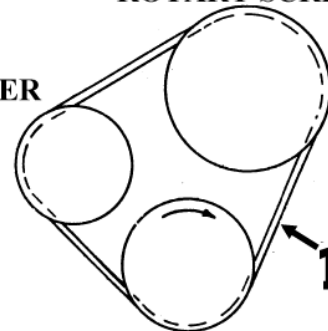
ALTERNATOR WATER PUMP



ENGINE CRANKSHAFT PULLEY

COUNTERSHAFT ROTARY SCREEN

IDLER



HYDRAULIC PUMP

15



Q Power® Belts, when you can't stop, you need the belt that won't stop. American made Q Power® Belts belts are designed to keep you and your equipment in the field. No matter what the crop... beans to corn, no matter what the conditions ... muddy to dry. Q Power® Belts keeps you running. No other belt can stand up to the demand of your equipment and your schedule better than Q Power® Belts.



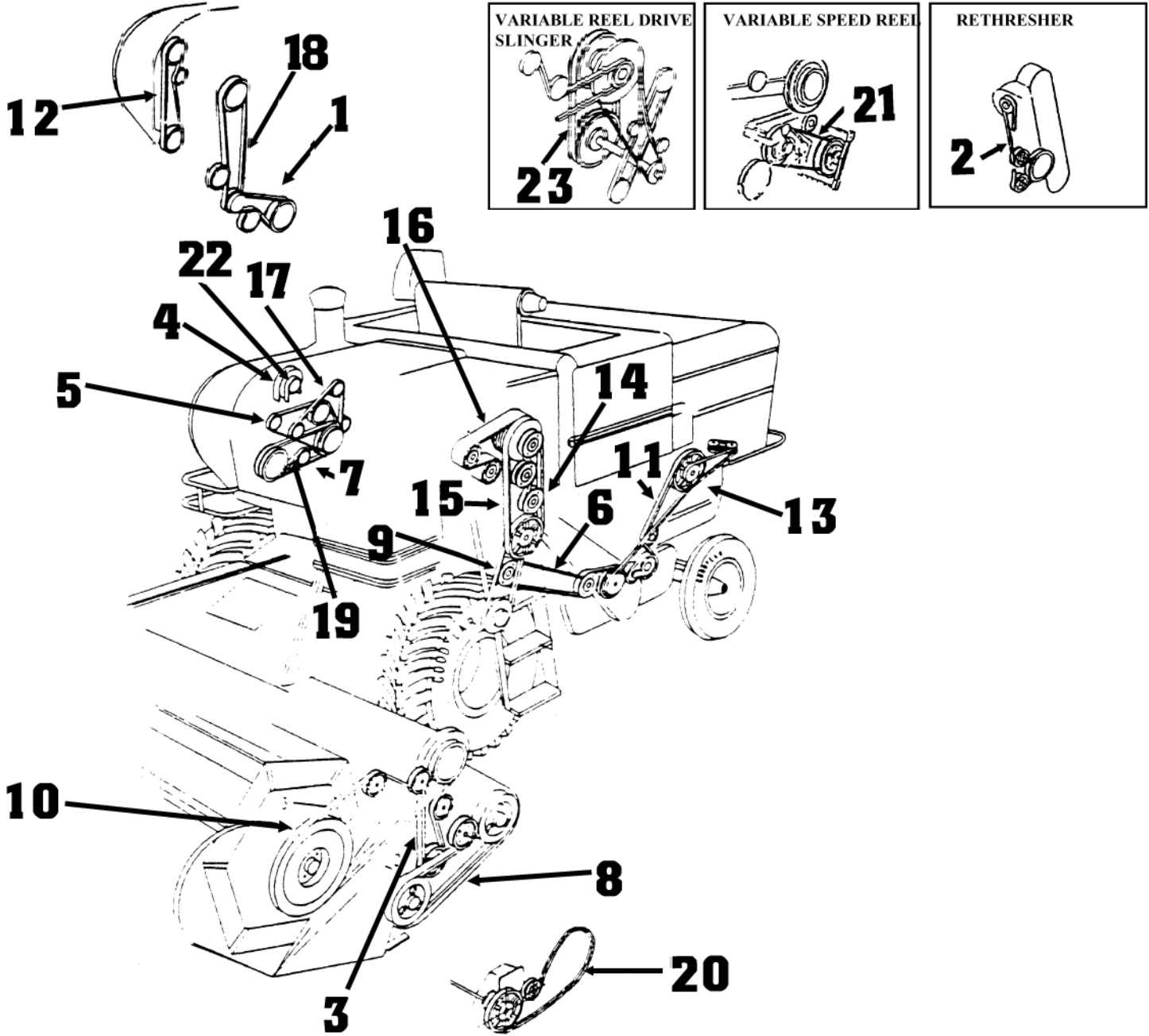
# FITS MASSEY FERGUSON

## Belt - 300 (Continued)

NUMBER	APPLICATION	DESCRIPTION	PART NUMBER
NI	300	Countershaft, Straw Chopper	BEV C215
NI	300 (Eff S/N12989)	A/C Or Clean Fan High Speed	BEV B49
NI	300 (S/N 5818-13989)	Grain Auger	BEV C143
1	300	Auxiliary Cylinder	BEV B105
2	300	Cleaning Fan	BEV B57
3	300	Cylinder	BEL HL97.5
4	300 (Prior S/N12989)	Generator & Water Pump, Diesel	CYL WP236959M1
5	300 (Prior S/N5818)	Reel	BEV C128
5	300 (Eff S/N13989)	Reel	BEV C144
5	300	Reel, Variable Speed	BEV QP833768M1
6	300	Grain & Return Auger	BEV C214
7	300	Hydraulic Pump	BEV C52
8	300 (Prior S/N13989)	Knife	BEV C86
8	300 (S/N13989-32098)	Knife	BEV C86
8	300 (Eff S/N32098)	Knife	BEV C85
9	300	Cleaning Fan, Lower	BEV B48
9	300	Cleaning Fan, Rh Grass Seed	BEV B54
10	300	Traction Lower, Grain	BEL HK80P
10	300	Traction Lower, Rice	BEL HK83.5P
11	300 (Prior S/N12989)	Radiator Fan, Gas	BEV A54
11	300	Radiator Fan, Diesel	CYL WP236958M1
12	300	Reel Countershaft	BEV C71
13	300	Rotary Screen Countershaft, Gas	BEV A35
14	300	Rotary Screen Countershaft, Diesel	BEV A60
15	300 (Eff S/N12989)	Rotary Screen Hyd Pump, Gas	BEV A38
16	300	Straw Walker	BEV B133
17	300 (Eff S/N13989)	Table, Platform	BEV C117
17	300 (Prior S/N13989)	Table, Platform	BEV C118
18	300	Tank Unloader	BEV C80
19	300	Traction, Upper	BEL HK90.8P
20	300	Straw Spreader	BEV A154

**FITS MASSEY FERGUSON**

Belt - 410, 510



NUMBER	APPLICATION	DESCRIPTION	PART NUMBER
NI	410 (Prior S/N1200 11753), Rice, 510 (Prior S/N1201 9156), Rice	Straw Chopper Drive	BEV C330
NI	410 (Eff S/N1200 11756)	Chopper Drive	BEV C345
NI	510 (Eff S/N1201 19156)	Chopper Drive	BEV C348
NI	510	Pick-Up Drive, 67"	BEV B122
1	410, 510	Cleaning Fan	BEV B51
1	410 (Eff S/N1200 006777), 510	A/C Or Clean Fan, High Speed	BEV B49
2	410 (S/N1200 000001-1200 011754), 510	Slinger (For Field Install Kit)	BEV B80
2	410(Prior S/N1200 011754), 510 Driven (Prior S/N1201 007358)	Slinger	BEV B72



**FITS MASSEY FERGUSON**

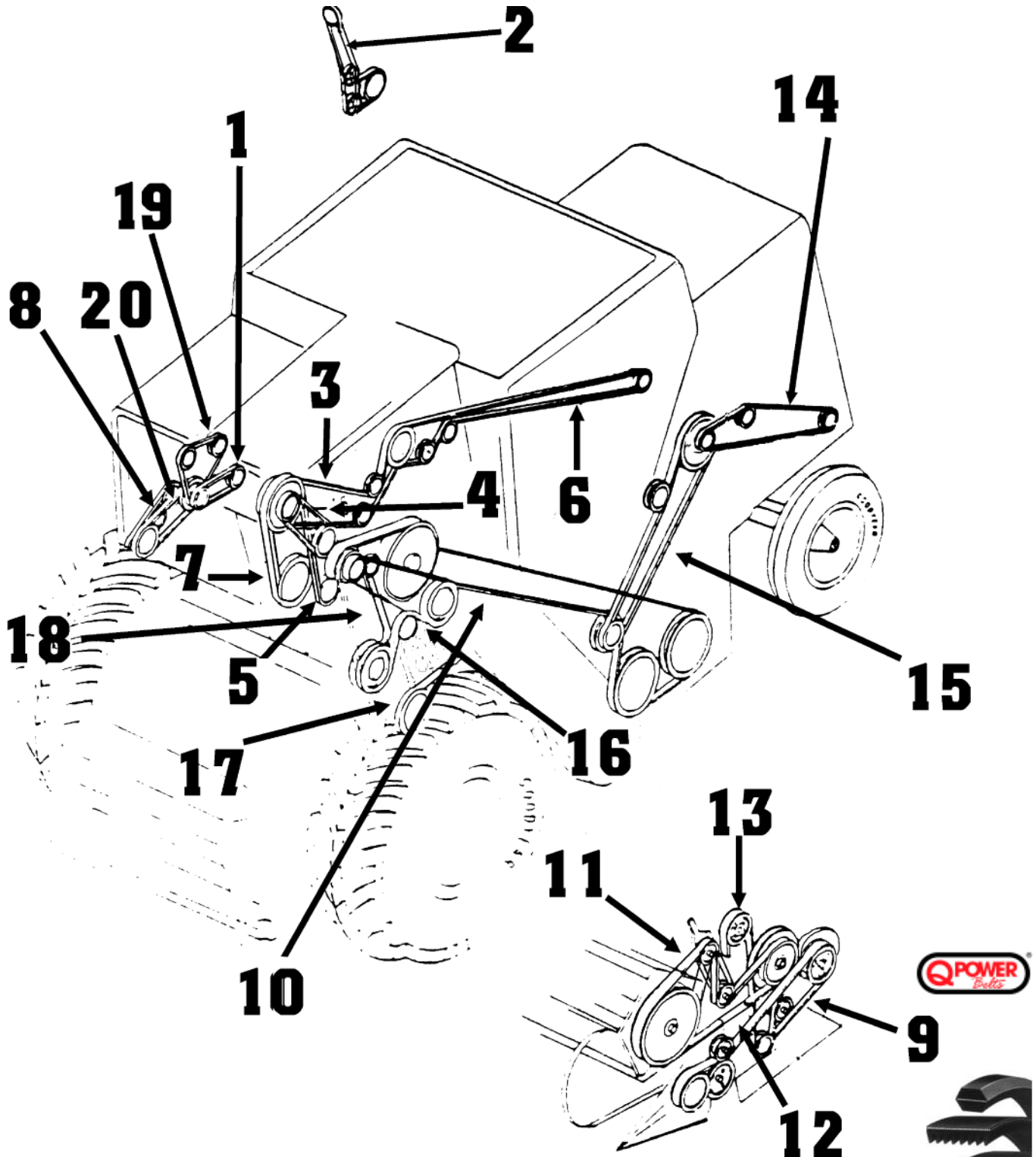
**Belt - 410, 510 (Continued)**

NUMBER	APPLICATION	DESCRIPTION	PART NUMBER
2	410 (S/N1200 011754-1200 015063), 510 Driven (S/N1201 007358-1201 009077)	Slinger	BEV B98
2	410 (Eff S/N1200 011754), 510	Aux Cyl (Slinger), Use W/Field Install Kit	BEV B100
3	410 (Eff S/N1200 015063), 510 (Eff S/N1201 009077)	Reel Countershaft	BEV C71
4	410, 510	Cylinder Drive	BEV QP226981M1
5	410, 510 (Prior S/N1201 009077)	Water Pump & Generator Diesel	CYL WP230350M1
5	410	Water Pump & Generator, Diesel	CYL WP236959M1
5	410 Deisel(Eff S/N1200 006777), 510 Gas (Prior S/N1201 009077), 510 Hydro	Water Pump & Alternator	CYL WP252164M1
6	410, 510	Grain Auger	BEV C143
7	410, 510	Hydraulic Pump, Gas	BEV C54
7	510	Hydraulic Pump, Diesel	BEV C52
7	410	Hydraulic Pump, Diesel	BEV 5V530
8	410(Prior S/N1200 015063), 510 (Prior S/N1201 09077)	Knife Wobble	BEV C79
8	510 (Prior S/N1201 09077)	Knife Wobble, Table	BEV C88
8	410, 510	Knife Wobble	BEV C86
8	510 (S/N1859 037752)	Knife Wobble, Table	BEV C85
9	410, 510	Traction Lower (Grain)	BEV QP834174M1
9	410, 510	Traction Lower (Rice)	BEL HL83.5P
10	410 Grain (Eff S/N1200 015063), 510 (Eff S/N1201 009077)	Reel	BEV C144
11	410, 510	Return Auger & Walker	BEV B178
12	410, 510	Rotary Screen	BEV B51
13	410 (Prior S/N1200 15177), 510 (Prior S/N1201 009156)	Straw Spreader (Dual)	BEV B132
13	510	Straw Spreader (Single)	BEV A178
13	410 (Eff S/N1200 2940)	Straw Spreader (Single)	BEV B175
13	410 (Eff S/N1200 15177), 510 (Eff S/N1200 9156)	Straw Spreader (Dual)	BEV B152
14	410, 510	Tank Unloader	BEV C57
15	410, 510	Traction, Upper	BEV QP834110M1
16	510 Gas	Drive	BEV 725L24
16	510 Diesel	Drive	BEV 765L24
16	410 Diesel	Main Drive	CYL WP233213M2
16	410 Gas	Main Drive	BEV 725L18
17	510 Gas	Governor	CYL WP234995M1
17	410	Governor	CYL WP238891M1
18	410 (Prior S/N1200 0150163), 510 (Prior S/N1201 09077)	Cleaning Fan Countershaft	BEV C74
19	410, 510	Radiator Fan	BEV B49
20	410, 510	Pick Up 112" W/Forward Pu (S/N Prior 1486 2394)	CYL WP1027752M1
21	410, 510	Pick-Up, Variable Speed	BEL HI67P
22	410 (Prior S/N 4202), 510 (Prior S/N 902)	Rear Beater	CYL WP227978M2
22	410 (Eff S/N 4202), 510 (Eff S/N 902)	Rear Beater	BEV 615L15
23	410 (Eff S/N 6777), 510	Reel, Variable Speed	BEV QP833768M1



## FITS MASSEY FERGUSON

Belt - 540



Q Power® Belts, when you can't stop, you need the belt that won't stop. American made Q Power® Belts belts are designed to keep you and your equipment in the field. No matter what the crop... beans to corn, no matter what the conditions ... muddy to dry. Q Power® Belts keeps you running. No other belt can stand up to the demand of your equipment and your schedule better than Q Power® Belts.

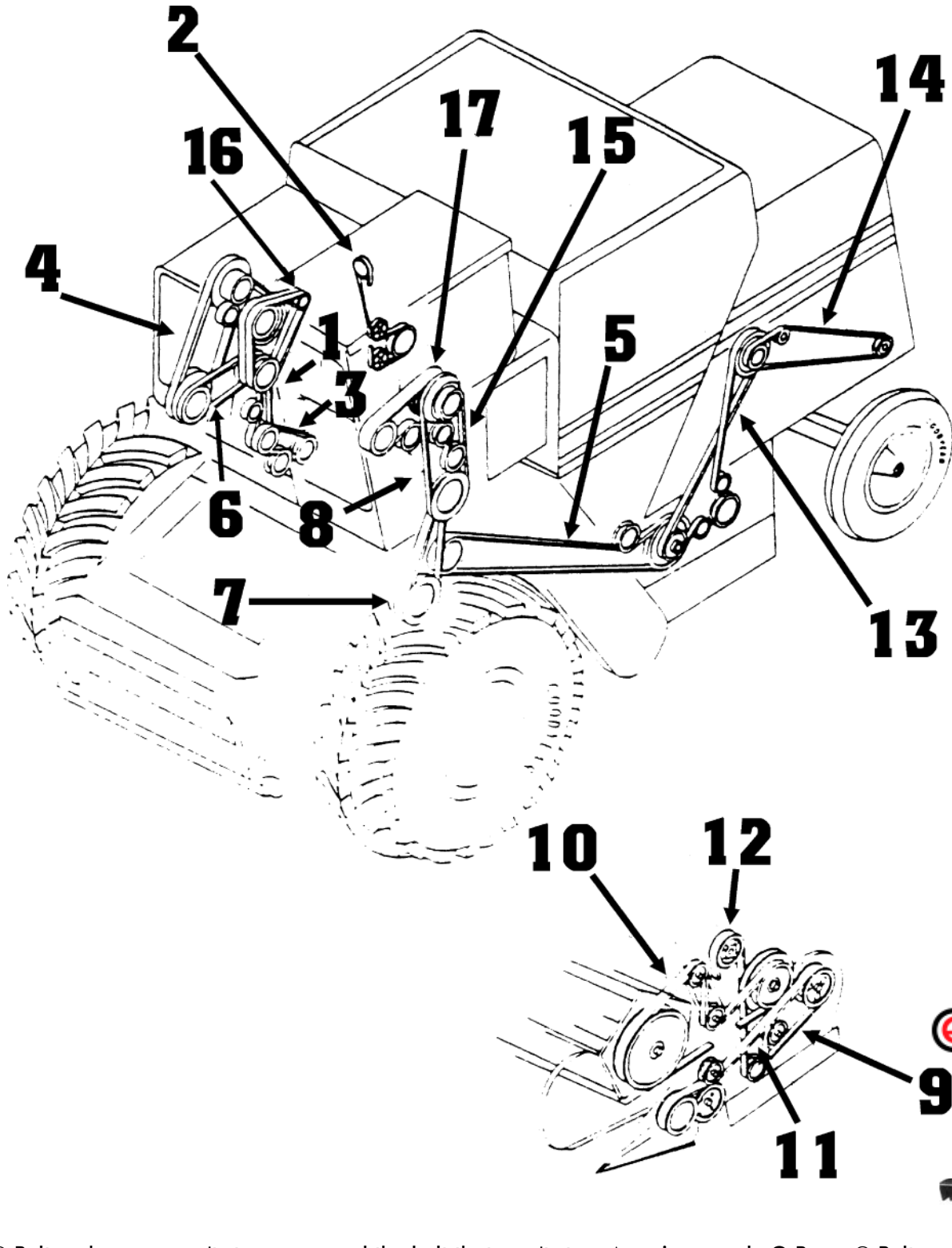
**FITS MASSEY FERGUSON**

**Belt - 540 (Continued)**

NUMBER	APPLICATION	DESCRIPTION	PART NUMBER
NI	540	Pick-Up	BEV B122
1	540	Air Conditioning	CYL WP843045M1
2	540	Auxiliary Cylinder (Slinger)	BEV B100
3	540	Chopper Drive, Low Speed	BEV C207
3	540	Chopper Drive, High Speed	BEV C195
4	540	Cleaning Fan	BEV B57
5	540	Cleaning Fan, Countershaft	BEV B47
6	540	Countershaft Drive	BEV C246
7	540	Cylinder	BEL HL97.5
8	540	Air Intake	BEV B49
9	540	Knife Wobble, 13' Rigid Bar High Speed	BEV C92
9	540	Knife Wobble, Floating Cut Bar	BEV B120
9	540	Knife Wobble, Rigid Cut Bar	BEV C85
9	540	Knife Wobble. Speed Up 15',16',18',20'	BEV C90
10	540	Rear Beater Or Straw Chopper	BEV C218
11	540	Reel	BEV C144
12	540	Reel Countershaft	BEV C71
13	540	Reel, Variable Speed	BEV QP833768M1
14	540	Straw Spreader	BEV B167
15	540	Straw Walker	BEV B133
16	540	Tank Unloader	BEV C80
17	540 (Eff S/N2428 00819)	Traction, Drive Lower	BEL HK80
18	540 (Prior S/N2428 00819)	Traction, Drive Upper	BEL HK90.8
18	540 (Eff S/N2428 00819)	Traction, Drive Upper	BEL HK90.8
19	540 (Prior S/N 1856)	Waterpump, Fan, Alternator	CYL WP532779M92
19	540 (Eff S/N 1857)	Waterpump, Fan, Alternator	CYL WP844171M1
20	540	Hydraulic Pump	BEV C54

FITS MASSEY FERGUSON

Belt - 550



Q Power® Belts, when you can't stop, you need the belt that won't stop. American made Q Power® Belts belts are designed to keep you and your equipment in the field. No matter what the crop... beans to corn, no matter what the conditions ... muddy to dry. Q Power® Belts keeps you running. No other belt can stand up to the demand of your equipment and your schedule better than Q Power® Belts.

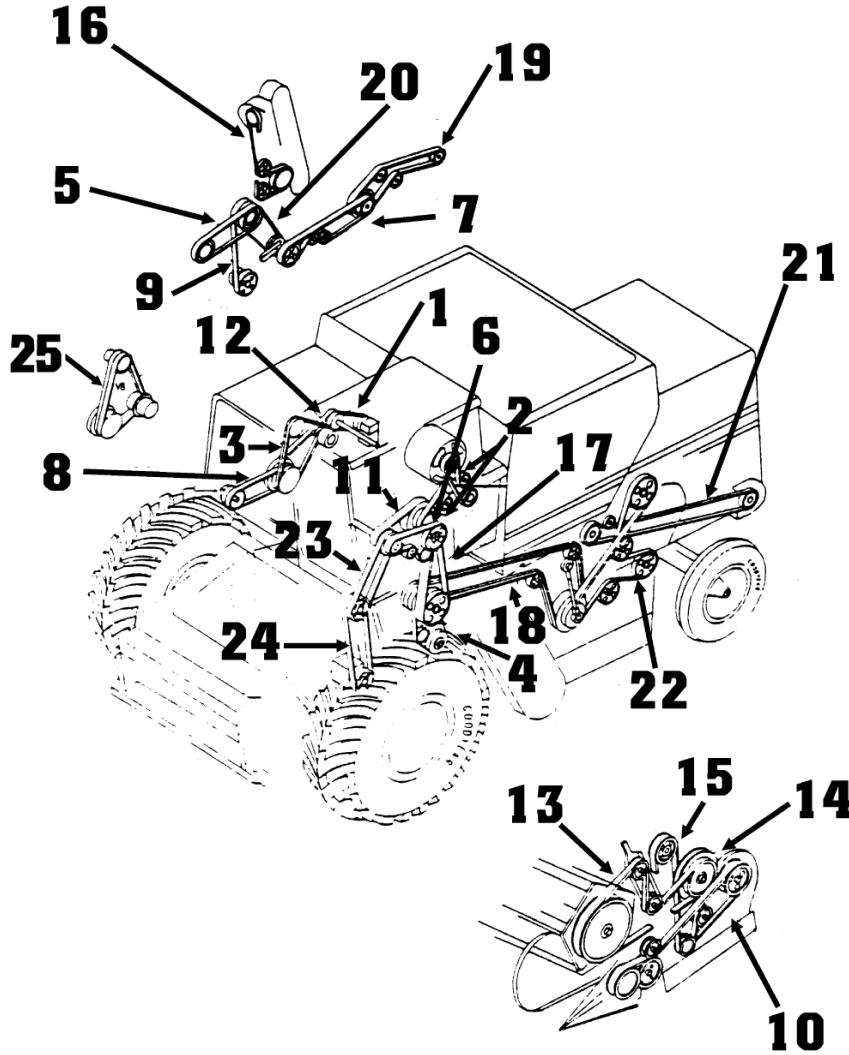
**FITS MASSEY FERGUSON**

**Belt - 550 (Continued)**

NUMBER	APPLICATION	DESCRIPTION	PART NUMBER
NI	550	Pick-Up	BEV B122
NI	550	Chopper Drive	BEV C348
NI	550	Straw Chopper Corn Kit, Low Speed	BEV C51
1	550	Cleaning Fan Countershaft	BEV C74
2	550	Auxiliary Cylinder (Slinger)	BEV B100
3	550	Cleaning Fan	BEV B51
3	550	Cleaning Fan, High Speed	BEV B49
4	550	Cylinder	BEV QP226981M1
5	550	Grain Auger	BEV C143
6	550	Hydraulic Pump	BEV B53
7	550	Traction Lower, 4 Speed	BEL HL83.5
7	550	Traction Lower, 3 Speed	BEV QP834174M1
7	550	Hydrostatic, Lower	BEV B74
8	550	Traction Upper, 3&4 Speed	BEV QP834110M1
8	550	Hydrostatic, Upper	BEV 3RB103
9	550	Knife Wobble, Rigid Cut Bar	BEV B89
9	550	Knife Wobble, Floating Cut Bar	BEV B120
9	550	Knife Wobble, Centered Chain Drive	BEV C86
9	550	Knife Wobble, Rigid Cut Bar	BEV C85
10	550	Reel	BEV C144
11	550	Reel Countershaft	BEV C71
12	550	Reel, Variable Speed	BEV QP833768M1
13	550	Return Auger & Walker	BEV B178
14	550	Straw Spreader (Dual)	BEV B152
15	550	Tank Unloader	BEV C57
16	550 (Eff S/N2363 05307)	Water Pump, Fan & Alternator	CYL WP268847M91
16	550 (Prior S/N 5307)	Water Pump, Fan & Alternator	CYL WP532779M92
17	550	Main Drive	BEV 765L24

**FITS MASSEY FERGUSON**

Belt - 750, 760



NUMBER	APPLICATION	DESCRIPTION	PART NUMBER
NI	750, 760 (Prior S/N 1746 009413)	Straw Chopper Corn Kit	BEV C51
1	750 (S/N1696 00964-1696 015420), 760 (S/N1746 05829-1746 07663)	Air Conditioning	CYL WP843045M1
1	750 (Prior S/N1696 009674), 760 (S/N1746 00511-1746 05829)	Air Conditioning	BEV B49
1	750 (S/N 1696015420), 760 (S/N174605829-174607663)	Air Conditioning W/Frigidare	CYL WP843045M1
2	750 (Prior S/N1696 013713)	Air Intake	BEV A71
2	760 (Prior S/N1746 09413)	Air Intake	BEV A56
3	750 Diesel (Eff S/N1696 016539), 760 6 Cyl (Eff S/N1746 009413)	Alternator	CYL WP844079M1
4	750, 760	Cleaning Fan	BEV QP833863M1
4	750, 760	Cleaning Fan, Small Seed Kit	BEL HI62
5	750, 760	Cylinder	BEV QP833868M2
6	760	Grain Tank Unloader	BEV B88
6	750	Grain Tank Unloader	BEV 2RB75
7	750 (Prior S/N1696 016539), 760 (Prior S/N 9413)	Straw Chopper	BEV C214
7	750 (Eff S/N1696 016539), 760 (S/N1746 09413)	Straw Chopper	BEV C218
8	750 (Prior S/N1696 05387), 760 (S/N1746 00511-1746 02474)	Hydraulic Pump	BEV B60

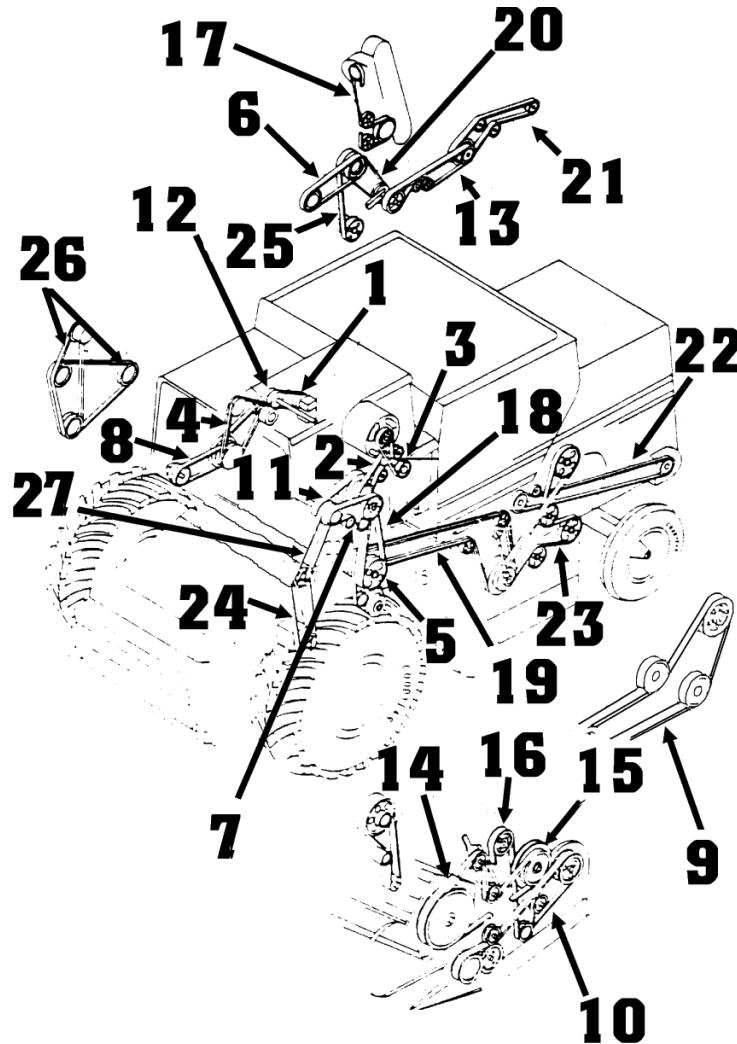
# FITS MASSEY FERGUSON

## Belt - 750, 760 (Continued)

NUMBER	APPLICATION	DESCRIPTION	PART NUMBER
8	750 (Eff S/N 5387), 760 (Eff S/N1746 02474)	Hydraulic Pump	BEV B58
8	760 (Prior S/N1746 00511)	Hydraulic Pump	BEV C62
9	760	Hydrostatic Reel	BEV B78
10	750	Hydrostatic Reel	BEV B78
10	760 (Eff S/N1746 009413)	Wobble Box, W/30' Table	BEV C96
10	760 (Eff S/N1746 009413)	Knife Wobble, Rigid Cut Bar W/ Speed Up Kit	BEV C92
10	760 (Eff S/N1746 009413)	Knife Wobble, Floating Cut Bar	BEV B120
10	760 (S/N1746 009413)	Knife Wobble, Rigid Cut Bar 13'	BEV C86
10	750, 760(Eff S/N1746 009413)	Knife Wobble, Rigid Cut Bar 15' To 24'	BEV C85
10	750, 760	Wobble Box, W/Draper Table	BEV C131
11	760	Main Drive	BEV QP833865M1
11	750	Main Drive	BEV 3RB110
12	750 Dsl (Prior S/N1696 013713), 760 (Eff S/N1746 07663)	Radiator Fan	BEV A65 (2 Required)
12	760 (Prior S/N1746 00511)	Radiator Fan, Left Side Engine	BEV A53
12	760 (Prior S/N1746 00511)	Radiator Fan, Right Side Engine	BEV A52
13	750, 760	Reel	BEV C144
14	750, 760	Reel Countershaft	BEV C71
15	750, 760	Reel, Variable Speed	BEV QP833768M1
16	750, 760	Returns Elevator	BEV B116
17	750 (Prior S/N1696 015716), 760 (Prior S/N1746 09413)	Shaker Shoe Countershaft Fan	BEV B89
17	750 (Eff S/N1696 015716), 760 (Eff S/N1746 009413)	Shaker Shoe Countershaft Fan	BEV B90
18	750, 760	Shaker Shoe	BEV B156
19	750 (Eff S/N1696 016539), 760 (Eff S/N1746 009413)	Straw Chopper Drive	BEV C158
19	750 (Prior S/N1696 01639), 760 (Prior S/N1746 09413)	Straw Chopper Drive	BEV C160
19	750, 760	Straw Chopper Drive	BEV QP834948M1
20	750 (Prior S/N1696 016539), 760 (Prior S/N1746 09413)	Straw Chopper	BEV 2RB104
20	750 (Eff S/N1696 016539), 760 (Eff S/N1746 09413)	Straw Chopper	BEL HK102.5
21	750, 760	Straw Spreader	BEV B192
22	750	Straw Walker	BEV B216
22	760	Straw Walker	BEV C210
23	750 (Prior S/N 16539)	Traction, Upper 4 Speed	CYL WP833856M1
23	750 (S/N 05387-13713)	Traction, Upper 4 Speed, Cog	BEV QP833857M4
23	750 (Eff S/N 13713), 760	Traction, Upper 4 Speed	BEV QP833858M4
23	760	Traction, Upper, Hydro	CYL WP833866M1
23	750 (Eff S/N 16539)	Traction, Upper, Hydro	CYL WP844077M1
24	760	Traction, Lower 4 Speed	BEV QP833858M4
24	750 (Eff S/N 13713)	Traction Lower, 4 Speed, Cog	BEV QP833859M4
24	750(Eff S/N16539),	760 Traction, Lower Hydro	CYL WP833866M1
25	760 (Eff S/N 13173)	Alternator, V-8	CYL WP3040950M91
25	760(Prior S/N13173)	Alternator, V-8	CYL WP844163M1

## FITS MASSEY FERGUSON

Belt - 850, 860



NUMBER	APPLICATION	DESCRIPTION	PART NUMBER
NI	860	Oil Cooler Fan	CYL WP3040966M1
NI	850	Straw Chopper Corn Kit	BEV C51
1	850 (Eff S/N 25658)	Air Conditioning	CYL WP1614371M1
1	850(Prior S/N 25658), 860 W/Frigidaire	Air Conditioning	CYL WP529964M1
2	860	Rotary Screen Countershaft	BEV A56
3	860	Countershaft To Rotary Screen	BEV A55
3	850	Air Intake	BEV A76
4	850, 860	Alternator, 6-Cylinder	CYL WP844079M1
5	850, 860	Cleaning Fan	BEV QP833863M1
5	850, 860	Cleaning Fan, Small Seed Kit	BEL HI62
6	850, 860	Cylinder Drive	BEV QP833868M2
7	860	Grain Tank Unloader	BEV B88
7	850	Grain Tank Unloader	BEV 2RB75
8	850, 860	Hydraulic Pump	BEV B58
9	860	Wobble Box, 22' Floating W/6 Mtg Brkt	BEV C126



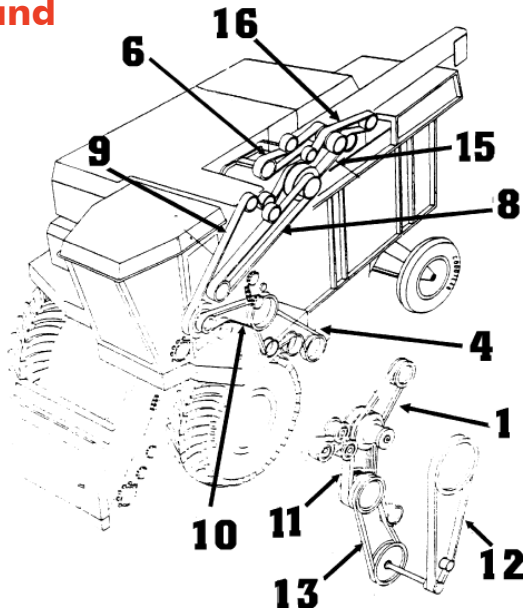
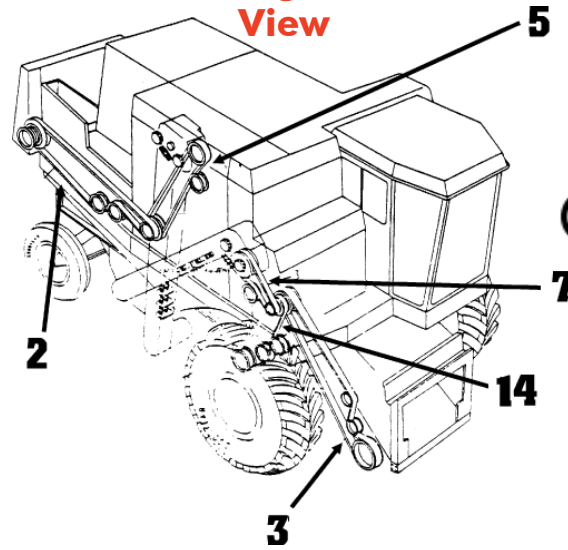
# FITS MASSEY FERGUSON

## Belt - 850, 860 (Continued)

NUMBER	APPLICATION	DESCRIPTION	PART NUMBER
9	860	Wobble Box, 22' Floating W/6 Mtg Brkt	BEV C122
9	860	Wobble Box, 15'-20' Floating Bar	BEV B120
10	850, 860 W/15'-20' TABLE	Wobble Box, Rigid Cut Bar Spd Up	BEV B89
10	850, 860	Wobble Box, W/ 22' & 24' Rigid Cut Bar	BEV C96
10	850	Wobble Box, 22' Float Cutter Bar	BEV C126
10	850	Wobble Box, 15'-20' Float Cutter Bar	BEV B120
10	850, 860	Wobble Box, 15'-24' Rigid, 1859 Table	BEV C85
10	860	Draper Table	BEV C131
11	860	Main Drive	BEV QP833865M1
11	850	Main Drive, 3 Band	BEV 3RB110
11	850	Main Drive, 4 Band	BEV 4RB110
12	850	Radiator Fan	BEV A67
12	860 (Prior S/N1746 016559)	Radiator Fan	BEV 2-A65
12	860 (Eff S/N1746 016559)	Radiator Fan	BEV A64
13	850, 860	Straw Chopper, Center	BEV C218
14	850, 860	Reel	BEC C144
15	850, 860	Reel Countershaft	BEV C71
16	850	Reel, Variable Speed	BEV QP833768M1
17	850, 860	Returns Elevator	BEV B116
18	850, 860	Shaker Shoe Countershaft Fan	BEV B90
19	850, 860	Shaker Shoe	BEV B156
20	850, 860	Straw Chopper, Front	BEL HK102.5
21	850, 860	Straw Chopper, Rear 102 1/2" Long	BEV C195
21	860	Straw Chopper, Rear 224" Long	CYL WP844496M1
22	850, 860	Straw Spreader, Rear	BEV B192
23	860	Straw Walker	BEV C234
23	850	Straw Walker	BEV B239
24	850 (Eff S/N 27544)	Traction, 4 Speed, Lower	BEL HL96
24	860 (Eff S/N 19115)	Traction, 4 Speed, Lower	BEV QP833857M4
24	860 (Prior S/N 19115)	Traction, 4 Speed, Lower	BEV QP833858M4
24	850 (Prior S/N 27544)	Traction, 4 Speed, Lower	BEV QP833859M4
24	850 Hydro, 860 (Prior S/N 18278)	Traction, Lower	BEV 990M6
24	860 (Eff S/N 18278)	Traction, Lower	CYL WP844336M1
25	850	Hydrostatic Reel	BEV B78
26	860	Reel Drive, Hydrostatic	BEV B78
27	860	Alternator & Waterpump, V-8 Engine	CYL WP844163M1
27	850, 860	Traction, 4 Speed, Upper	BEV QP833858M4
27	850 (Eff S/N27544), 860 (Prior S/N 18278)	Traction, Upper	BEV 990M6
27	850 (Prior S/N27544)	Traction, Hydrostatic, Upper	CYL WP844077M1
27	860(Eff S/N 18278)	Traction, Hydrostatic, Upper	CYL WP844336M1

## FITS MASSEY FERGUSON

Belt - 8560, 8570

Left Hand  
ViewRight Hand  
View

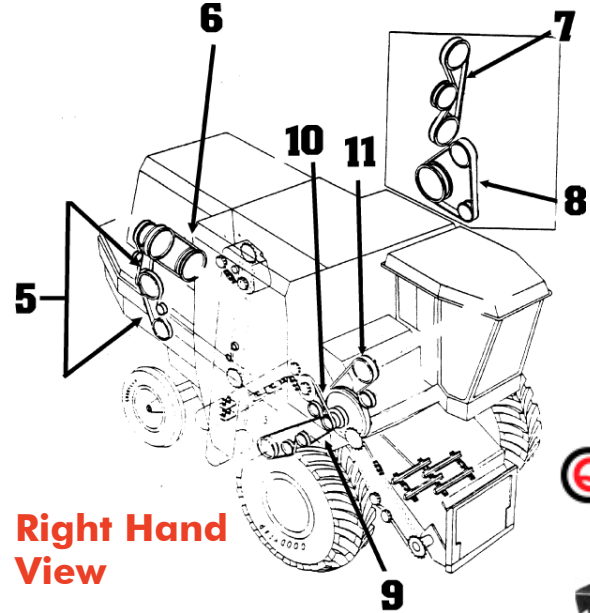
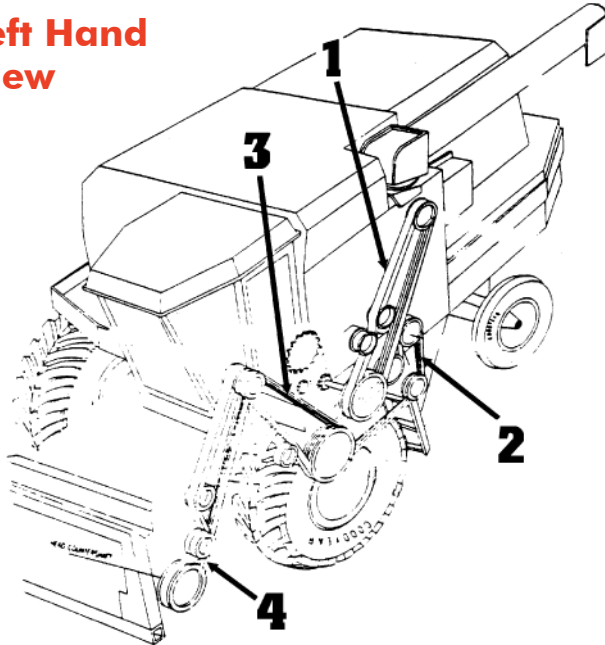
Q Power® Belts, when you can't stop, you need the belt that won't stop. American made Q Power® Belts belts are designed to keep you and your equipment in the field. No matter what the crop... beans to corn, no matter what the conditions ... muddy to dry. Q Power® Belts keeps you running. No other belt can stand up to the demand of your equipment and your schedule better than Q Power® Belts.

NUMBER	APPLICATION	DESCRIPTION	PART NUMBER
1	8560	A/C Compressor Drive	CYL WP525906M1
1	8570	A/C Compressor Drive	CYL WP531603M1
2	8560, 8570	Spreader Drive	CYL WP1680230W1
2	8560	Chopper Drive	CYL WP1781280W1
2	8570	Chopper Drive	CYL WP103320M1
3	8560, 8570	New Table Drive Feeder (3V) 218"	CYL WP2621170W1
4	8560, 8570	Grain Elevator Drive	BEV C126
5	8560, 8570	Jackshaft Drive, Spreader	BEV C126
5	8570	Jackshaft Drive, Chopper	CYL WP103319M1
6	8560, 8570	Propulsion Pump Drive	BEV 3RB81
8	8560, 8570	Unloader	CYL WP101102M1
10	8560, 8570	Shaker Shoe Pitman Drive	CYL WP2593000W1
11	8560	Alternator & Fan Drive	CYL WP2634420W1
11	8570	Alternator & Fan Drive	CYL WP1076753M1
12	8560, 8570	Rotary Screen Drive	CYL WP1764410W1
13	8560	Rotary Screen "C" Shaft	CYL WP2634420W1
13	8570	Roatry Screen "C" Shaft	CYL WP2624080W1
14	8560, 8570	Fan Drive, Var-Speed	CYL WP2612330W1
15	8560, 8570	Feed Impeller Drive (3V) 123"	CYL WP1594240W1
16	8560	Rotor Drive	CYL WP1669570W1
16	8570	Rotor Drive	CYL WP9811830W2

**FITS MASSEY FERGUSON**

Belt - 8590, 9720

**Left Hand View**



**Right Hand View**

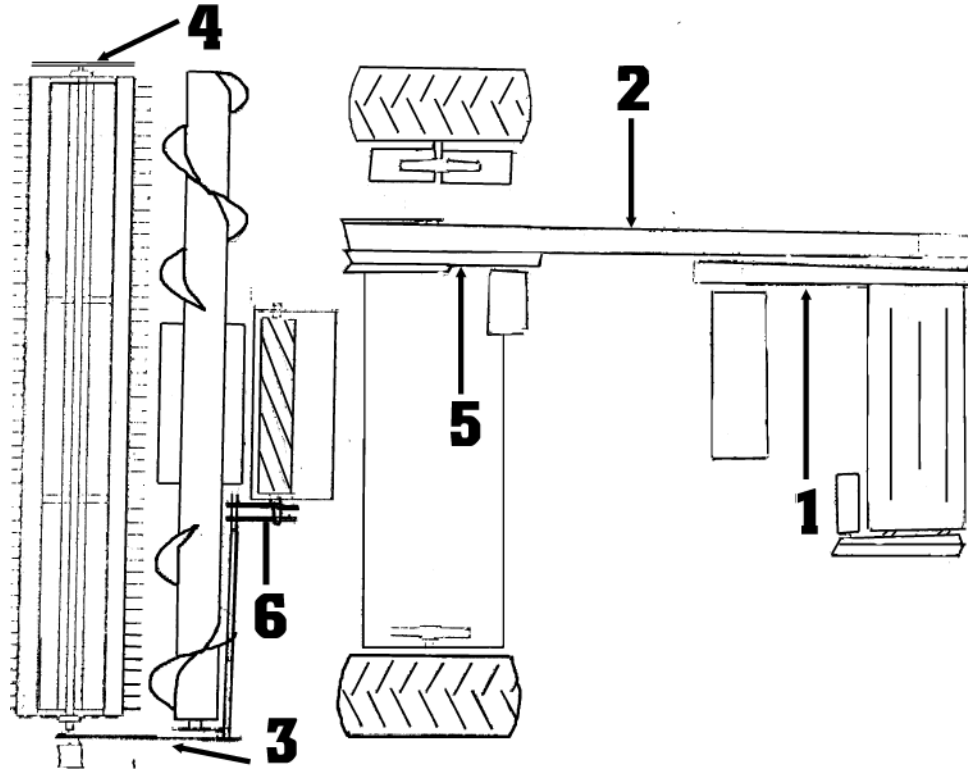


Q Power® Belts, when you can't stop, you need the belt that won't stop. American made Q Power® Belts belts are designed to keep you and your equipment in the field. No matter what the crop... beans to corn, no matter what the conditions ... muddy to dry. Q Power® Belts keeps you running. No other belt can stand up to the demand of your equipment and your schedule better than Q Power® Belts.

NUMBER	APPLICATION	DESCRIPTION	PART NUMBER
1	8590, 9720	Unloader Drive	CYL WP2496110W1
2	8590, 9720	Grain Elevator Drive	CYL WP2439700W1
3	8590, 9720	Chopper Drive	CYL WP2553480W1
5	8590, 9720	Straw Spreader	CYL WP2543960W1
6	8590, 9720	Straw Spreader (Secondary)	CYL WP2543970W1
7	8590, 9720	Cleaning Fan Drive	CYL WP2439720W1
8	8590, 9720	Return Elevator Drive	CYL WP2492070W1
9	8590, 9720	Feed Impeller Drive	CYL WP1594240W1
10	8590, 9720	Shaker Shoe Pitman Drive	CYL WP2439710W1
11	8590, 9720	Head Countershaft Drive	CYL WP2523670W1

## FITS MASSEY FERGUSON

Belt - 885



Q Power® Belts, when you can't stop, you need the belt that won't stop. American made Q Power® Belts belts are designed to keep you and your equipment in the field. No matter what the crop... beans to corn, no matter what the conditions ... muddy to dry. Q Power® Belts keeps you running. No other belt can stand up to the demand of your equipment and your schedule better than Q Power® Belts.

NUMBER	APPLICATION	DESCRIPTION	PART NUMBER
1	885	Header Drive	CYL WP2619760W1
2	885 (S/N-C,D & E)	Sickle Drive	BEV C109
3	885 (S/N-C,D & E)	Reel	BEV C103
4	885	Hyd. Header Drive	BEV QP2624390W1
6	885 (S/N-G)	Conditioner	CYL WP1071847M1

## FITS VERSATILE

### Sunnybrook Cylinder Bars & Kits

All bars are carefully checked and sets are matched for equal weight distribution on the cylinder prior to shipment. Grade 8 Fasteners are supplied for most models.

APPLICATION	DESCRIPTION	PART NUMBER
2000	Complete Set, Black	SHI SBV0020

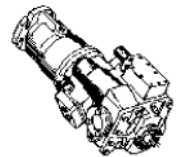
### Miscellaneous

DESCRIPTION	PART NUMBER
Shim/Cylinder Bar (All Makes), 100/Pkg	SHI SBSH0020

## FITS WHITE/OLIVER/M&M

### Hydrostat Transmissions - Combine

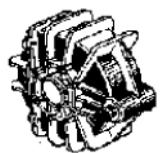
Sauer / Sundstrand, Eaton, and Dynapower are a few of the major brands of Combine Hydrostat we stock. Our hydrostats are remanufactured by a Nationally known remanufacturer that has been recognized as a "Remanufacturing Facility" by Sauer/ Sundstrand. All units are assembled from scratch by a factory trained technician, utilizing GENUINE remanufactured and replacement parts. All units are fully tested to factory specification assuring you of the highest quality and maximum performance.



APPLICATION	DESCRIPTION	PART NUMBER
8600	Remanufactured Hydrostat, Sunstrand	CYL WPH8600S
9700	Remanufactured Hydrostat, Sunstrand	CYL WPH9700S-24/24

### Final Drives and Components

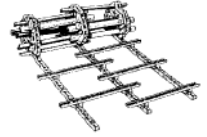
APPLICATION	DESCRIPTION	PART NUMBER
8800	Remanufactured Final Drives	CYL WPF8800
8900	Remanufactured Final Drives	CYL WPF8900
9700	Remanufactured Final Drives	CYL WPF9700
5555, 7600, 7800, 8600, 8700, 8800, 8900, 8920	New Pinion Shaft	CYL WPW1500030
8945, 9700, 9720 - 11 Tooth New	Pinion Shaft	CYL WP31-2490120



## FITS WHITE/OLIVER/M&M

### Feederhouse Chains

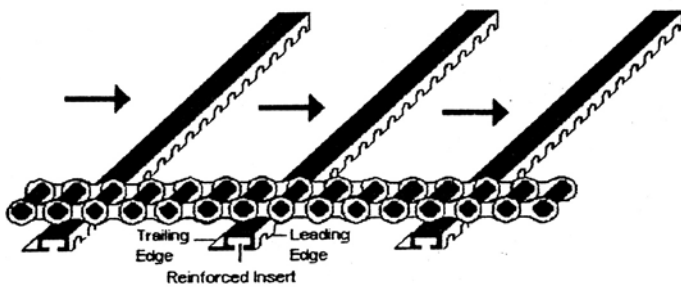
Our feederhouse chains utilize American Made chain with the slats mounted directly over the roller pins helping to eliminate stretching. The slats are bolted to the chain with  $\frac{3}{8}$ " grade 5 plated bolts and locknuts, for easy replacement. Chains feature full side plates and high strength steel for added strength. All Feederhouse chains are supplied with serrated slats every 4th link. Please ask your sales representative about availability and cost of different slats or chain if required for your application. To extend the life of your chain assemblies, always replace the sprockets when installing a new chain.



APPLICATION	DESCRIPTION	PART NUMBER
7600, 8600, 8700	New Feederhouse Chain, 90 links - slat every 2nd link	CYL WP31-1779723L
7800, 8800, 8900, 8950	New Feederhouse Chain, 87 links - slat every 2nd link	CYL WP31-1779713L
7800, 8800, 8900, 8950	New Feederhouse Chain, 87 links - slat every 4th link	CYL WPX28037L
9700, 9720	New Feederhouse Chain, 96 links - slat every 4th link	CYL WPX28028L
9700, 9720	New Feederhouse Chain, 96 links - slat every 4th link (557 Chain)	CYL WP31-2606273L

### Harvest Plastic Slat Feeder Chain

- Designed to handle today's larger crops and specialty crops gently and efficiently.
- Lighter, easier on drive components
- Super tough nylon slat with spring steel insert is less abrasive than a steel slat to the feeder house.
- Improves feeding, runs quieter, and lasts longer
- Reduces maintenance costs to save you money



#### CHAIN

- American made 557 chain not 550
- Heavier rollers and side links
- Outlasts

#### SLAT

- Super tough reinforced nylon to maintain shape
- 5160 Spring steel heat treated insert
- Bolted, not riveted
- Slat design forces material into the cylinder
- Leading Edge is notched for better feeding
- Trailing Edge eliminates back feeding
- Slats every 4th link on center chain.

DESCRIPTION	NO. OF CHAINS	NO. OF LINKS	NO. OF SLATS	SLAT LENGTH	C-C	WT	PART NO.
WHITE 7800/8800/8900	3	86	22	26 $\frac{1}{2}$ "	21 $\frac{3}{16}$ "	110	SHI FC1312
WHITE 8920	3	94	24	26 $\frac{1}{2}$ "	21 $\frac{3}{16}$ "	141	SHI FC1315
WHITE 9700/9720	3	96	24	29"	21 $\frac{3}{16}$ "	164	SHI FC1320
WHITE 9720	4	96	36	22 $\frac{1}{16}$ "	18"	146	SHI FC1321

## FITS WHITE/OLIVER/M&M

### Feederhouse Chain Sprockets

To extend the life of your chain assemblies, always replace the sprockets when installing a new chain.



APPLICATION	DESCRIPTION	PART NUMBER
7300, 7600, 7800, 8600, 8700, 8700, 8800, 8900	New Feederhouse Chain Sprocket Machine off old sprocket and weld on new sprocket	CYL WPFM-7300

### Cylinder Bars and Kits

All bars are carefully checked and sets are matched for equal weight distribution on the cylinder prior to shipment. Grade 8 Fasteners are supplied for most models.



APPLICATION	DESCRIPTION	PART NUMBER
542, 545, 5542, 4293, 4296	New Cylinder Bar Kit, 5 hole angle bar (4 Left & 4 Right)	CYL WP31-1833383
9700, 9720	New Cylinder Bar Kit, Front - Angle	CYL WP31-2497293
9700, 9720	New Cylinder Bar Kit, Rear - Flat	CYL WP31-2497283

### Sunnybrook Cylinder Bars and Kits

APPLICATION	DESCRIPTION	PART NUMBER
545, 5542, 542 Cockshutt	Complete Set, 5-Hole, Black Left 2/set, 5-Hole, Black Right 2/set, 5-Hole, Black	SHI SBW0200 SHI SBW0202 SHI SBW0204
7600, 8600, 8650, 8700	Complete Set, Black Left 2/set, Black Right 2/set, Black	SHI SBW0160 SHI SBW0162 SHI SBW0164
8800, 8900, 8920	Complete Set, Black Left 2/set, Black Right 2/set, Black	SHI SBW0120 SHI SBW0122 SHI SBW0124
9320 (8560, 8570, 8780 MF), 9700 (8590 MF)	Front Angle, Black (Set of 3) Front Angle, Boron (Set of 3) Rear Flat, Black (Set of 3) Rear Flat, Boron (Set of 3)	SHI SBM0370 SHI SBM0376 SHI SBM0360 SHI SBM0366

### Elevator Chains

Our elevator chains have rigid nylon paddles, unless otherwise specified, to help carry more grain and to keep the bottom of elevators clean, especially in moist conditions. Paddles are fastened to the chain with  $\frac{5}{16}$ " plated bolts and locknuts. Chains feature full side plates for added strength. Please ask your sales representative about the availability and cost of rubber paddles if required by your application. To extend the life of your chain assemblies, always replace the sprockets when installing a new chain.



APPLICATION	DESCRIPTION	PART NUMBER
555, 5555, 7600, 7800, 8600, 8700, 8800, 8900, 8920	New Clean Grain Elevator Chain 141 links - 7 $\frac{5}{8}$ " x 3 $\frac{1}{8}$ " paddles every 4th link	CYL WP31-1666663
9700, 9720	New Clean Grain Elevator Chain 146 links - 9 $\frac{1}{2}$ " x 3 $\frac{1}{8}$ " paddles every 4th link	CYL WP2605873W91 (Rubber)
555, 5555, 7600, 7800, 8500, 8600, 8700, 8800, 8900, 8920	New Return Grain Elevator Chain 138 links - 5 $\frac{5}{8}$ " x 3 $\frac{1}{8}$ " paddles every 6th link	CYL WP31-1666673
9700, 9720	New Return Grain Elevator Chain 154 links - 5 $\frac{5}{8}$ " x 3 $\frac{1}{8}$ " paddles every 4th link	CYL WP31-2605863 (Rubber)



## FITS WHITE/OLIVER/M&M

### Elevator Chain Sprockets

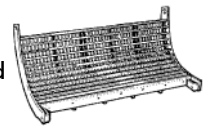
To extend the life of your chain assemblies, always replace the sprockets when installing a new chain.



APPLICATION	DESCRIPTION	PART NUMBER
7600, 7800, 8600, 8650, 8700, 8800, 8900, 8920	New Clean Grain Elevator Chain Sprocket, Upper 8 Teeth, 1.125" Shaft	CYL WP9863040W1
8560, 8570, 9700, 9720	New Clean Grain Elevator Chain Sprocket, Upper, 11 Teeth, 1.250" Shaft	CYL WP2412960W1
7600, 7800, 8600, 8650, 8700, 8900, 8920	New Clean Grain Elevator Chain Sprocket, Lower 8 Teeth, 1.125" Shaft	CYL WPW9863030
9700, 9720	New Clean Grain Elevator Chain Sprocket, Lower, 11 Teeth, 1.250" Shaft	CYL WP31-24163050
7600, 7800, 8650, 8700, 8800, 8900, 8920	New Return Grain Elevator Chain Sprocket, Upper 8 Teeth, 1" Shaft	CYL WPW9863070
9700, 9720, 8560, 8570	New Return Grain Elevator Chain Sprocket, Upper, 8 Teeth, 1.125" Shaft	CYL WP9863040W1
7600, 7800, 8650, 8700, 8800, 8900, 8920	New Return Grain Elevator Chain Sprocket, Lower 8 Teeth, 1" Shaft	CYL WPW9863700
9700, 9720, 8560, 8570	New Return Grain Elevator Chain Sprocket, Lower, 8 Teeth, 1.125" Shaft	CYL WPW9863030

### Concaves and Components

All concaves are LINE BORED for uniform height of bars at cylinder contact points and have added strength at stress points. These concaves are made of heavy duty high carbon steel cross bars and high carbon steel 1/4" wires. Narrow spaced rotary concaves feature low wire for more aggressive separation. Holes are drilled to provide a tight wire fit, which prevents spearing and trapping of straw. Corn concaves feature wider spacing and high wires to prevent plugging between bars.



APPLICATION	DESCRIPTION	PART NUMBER
8900, 8950, 8800, 7800, 8920	New Concave, Small Grain, Wrap Around, .5" - Narrow Space	CYL WP31-1812733
8900, 8950, 8800, 7800, 8920	New Concave, Corn Wide Wire, Wrap Around, 1" - Wide Space - Corn	CYL WP31-1766983
9700, 9720	New Concave, Small Grain, Set of 7, .5" - Narrow Space, Replaces OE P/N 31-2490461	CYL WP31-2490461
9700, 9720	New Concave, Small Grain, Set of 7, .5" - Narrow Space Replaces OE P/N 31-2442871	CYL WP31-2442874
9700, 9720	New Concave, Corn Wide Wire, Set of 7, 1" - Wide Space - Corn Replaces OE P/N 31-2442781	CYL WP31-2442781

### Sunnybrook Concaves and Components

APPLICATION	DESCRIPTION	PART NUMBER
545, 5542, 542 Cockshutt	1" Black 2" Black	SHI SBW0180 SHI SBW0170
7600, 8600, 8650, 8700	1" Black 2" Black	SHI SBW0140 SHI SBW0130
8800, 8900, 8920	1" Black 2" Black	SHI SBW0100 SHI SBW0090
9320 (8560, 8570, 8780 MF)	Single Narrow, Black Single 1/4" Narrow, Black Single Narrow, High Wire, Black Single Wide, Black Single Wide, High Wire, Black Single Narrow, Boron	SHI SBM0270 SHI SBM0272 SHI SBM0290 SHI SBM0280 SHI SBM0300 SHI SBM0266
9700 (8590 MF)	Single Narrow, Black (Requires 7) Single Wide, Black (Requires 7) Single Narrow, High Wire, Black (Requires 7) Single Wide, High Wire, Black (Requires 7)	SHI SBM0250 SHI SBM0260 SHI SBM0230 SHI SBM0240

## FITS WHITE/OLIVER/M&M

### Harvest Concave for Conventional Combines

**How Harvest Concaves for conventional & rotary combines differ from original factory concaves.**

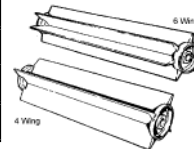
- Made from 1045 carbon steel
- Precision bored for a proper fit
- Heavier and stronger than OEM to maintain their shape
- More bar over the wire for improved threshing performance and longer life
- Wire diameters are larger so that they keep their shape and last longer
- Holes are drilled, not punched for a snug wire fit so that there is no wire-to-hole gap to trap straw

DESCRIPTION	WT	PART NO.
WH 542, 545, 5542 HIGH WIRE	201	CYL CO2310HW
WH 7600, 8600, 8650, 8700 HIGH WIRE	229	CYL CO2320HW
WH 7800, 8800, 8900 HIGH WIRE	235	CYL CO2330HW
CCIL 960, 9600 HIGH WIRE	247	CYL CO2610HW

### Sunnybrook Beaters

Balance 4 and 6 deep fin backbeaters, increase stripping action and help prevent backfeeding over the top of the cylinder. Both styles of beaters are welded assemblies and are made of heavy duty abrasive resistant steel.

APPLICATION	DESCRIPTION	PART NUMBER
545, 5542, 542 Cockshutt	Back Beater, Heavy Duty, 4-Blade	SHI SBW0190
7600, 8600, 8650, 8700	Back Beater, Heavy Duty, 4-Blade	SHI SBW0150
8800, 8900, 8920	Back Beater, Heavy Duty, 4-Blade	SHI SBW0110



### Stripper Bars

APPLICATION	DESCRIPTION	PART NUMBER
9700 (8590 MF)	Reversible, Black Reversible, Black w/Bolts	SHI SBW0050 SHI SBW0060

### Miscellaneous

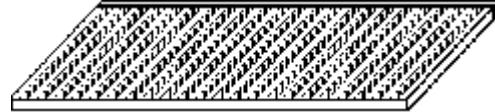
DESCRIPTION	PART NUMBER
Filler Plates (Conventional Concaves, Advise Model Number)	SHI SBFP0010
Shim/Cylinder Bar (All Makes), 100/Pkg	SHI SBSH0020

## FITS WHITE/OLIVER/M&M

### Harvest Sieves - Air foil chaffers, plastic adjustable top & bottom sieves

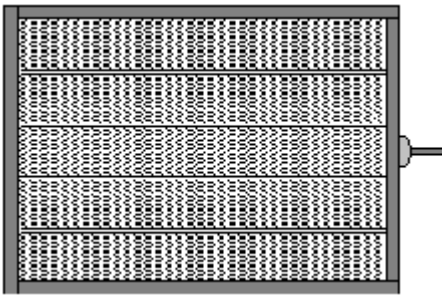
#### ALL STEEL AIRFOIL CHAFFER

- Uniform air distribution across entire width of chaffer.
- Cushion of air keeps lighter material suspended while heavier material (grain) falls through.
- Air is directed almost straight up.
- No adjustments - just fan speed.
- Almost 100% recovery from canola to beans.
- Money Back Guarantee & Lifetime Warranty.



#### PLASTIC ADJUSTABLE

- Patented plastic sieve is appr. 40% lighter than steel.
- Top chaffer - 1 3/8" spacing standard for 1 1/2" for corn.
- Precision adjustments by increments.



#### PLASTIC LOUVER



- Cupped tail scoop on bottom side of louver forces air more vertical.
- Plastic louvers won't rust.
- Smooth profile of louvers reduce sappy weed buildup & "icing".
- Plastic louvers, joiners, etc. are fully replaceable.

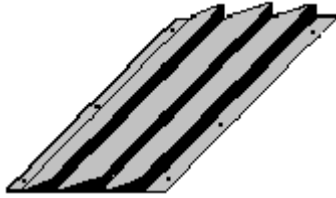
DESCRIPTION	TO FIT	L x W	WT	PART NO.
AIRFOIL CHAFFER	WH 9700, 9720	79" x 58"	91	CYL CH1320
BOTTOM SIEVE	WH 9700, 9720	58" x 58"	80	SHI BS1320

### Harvest Sieve Replacement Parts

DESCRIPTION	PART NO.
LOUVER FOR TOP ADJUSTABLE SIEVE PLEASE SPECIFY LENGTH NEEDED WHEN ORDERING	SHI ACHCPLASTIC
LOUVER FOR BOTTOM ADJUSTABLE SIEVE PLEASE SPECIFY LENGTH NEEDED WHEN ORDERING	SHI BSCPLASTIC
CONNECTOR FOR SIEVES	SHI PLCCONNECTOR
CRANK FOR SIEVES	SHI PLCRANK
END PINS FOR SIEVES	SHI PLENDCAP
ADJUSTMENT HANDLE FOR SIEVES OLD STYLE (PRE 03)	CYL HANDLE
ADJUSTMENT HANDLE FOR SIEVES NEW STYLE (03)	CYL HANDLE 03

**FITS WHITE/OLIVER/M&M**

**Ripple Tins, Dividers and Deflectors**



**RIPPLE TINS**

Use on front of Airfoil Chaffer when combining small seeded crops & when spearing is a problem.



**DIVIDERS**

Mount on the chaffer to provide a more even distribution on the chaffer.



**DEFLECTORS**

Keep the grain off the side rails.

PART NO.	DESCRIPTION	WT
RIPPLE TINS	ORDER RIPPLE TINS USING THE CHAFFER STOCK NUMBER SUBSTITUTING RT FOR CH	5
DIVIDERS		4
DEFLECTORS		2

**Grain Pans and Components**

Our grain pans are built heavier than OE and have galvanized pans to prevent rusting. Ripple pan may be ordered separately. Replaceable front sections are available.



APPLICATION	DESCRIPTION	PART NUMBER
555, 5555, 7800, 8800, 8900	New Galvanized	CYL WP31-1817801

**Straw Chopper Blades**

Hardened steel chopper blades - Set includes hardware. As part of the normal repair process, the entire drum should be dynamically balanced after the installation of new blade kits.



APPLICATION	DESCRIPTION	PART NUMBER
8800, 8900, 9700	New Straw Chopper Blades, Set of 3 w/ hardware, Replaces OE P/N 837030M93	CYL WP71310275

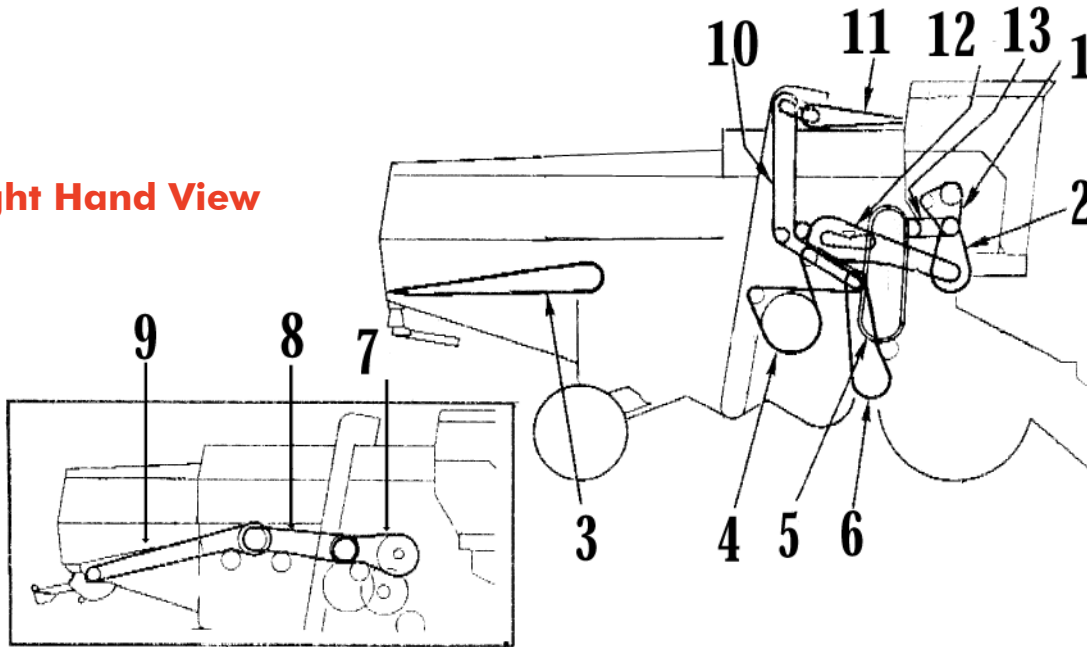
**Hydraulic Pumps - Combine**

APPLICATION	DESCRIPTION	PART NUMBER
9700, 9720	Hydraulic Pump, 24533 LAH, Replaces: 2408543W91	CYL WP31-2408543

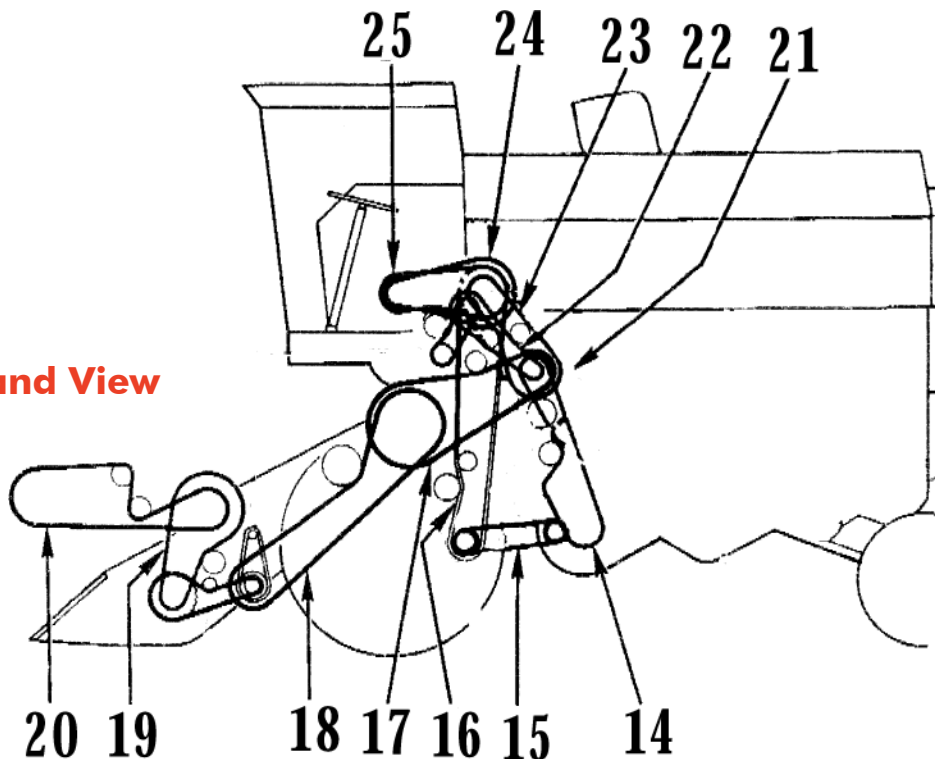
**FITS WHITE/OLIVER/M&M**

Belt - 7600, 7800

**Right Hand View**



**Left Hand View**



Q Power® Belts, when you can't stop, you need the belt that won't stop. American made Q Power® Belts belts are designed to keep you and your equipment in the field. No matter what the crop... beans to corn, no matter what the conditions ... muddy to dry. Q Power® Belts keeps you running. No other belt can stand up to the demand of your equipment and your schedule better than Q Power® Belts.

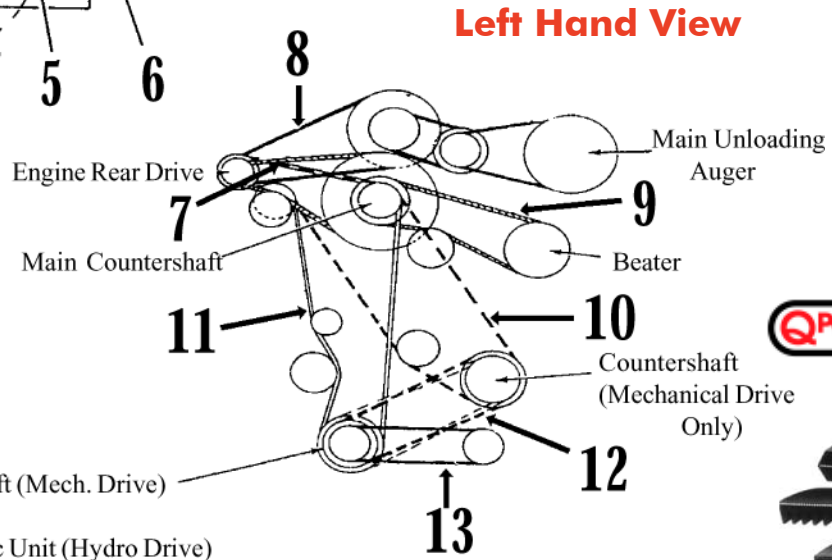
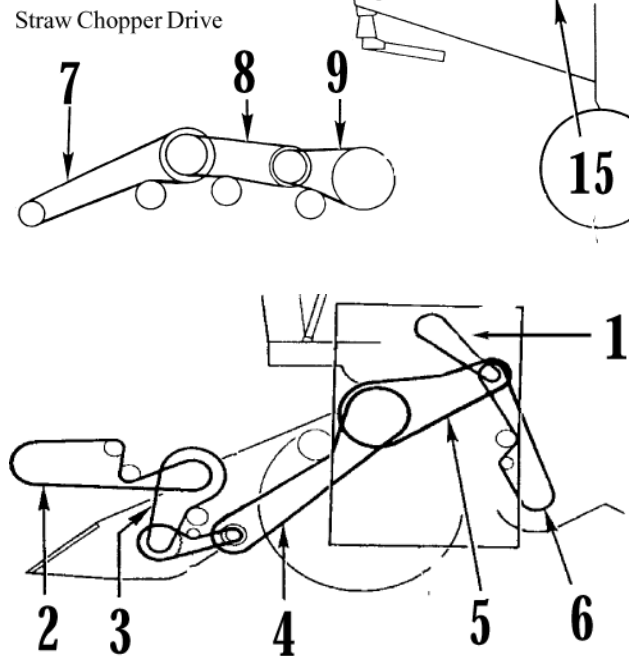
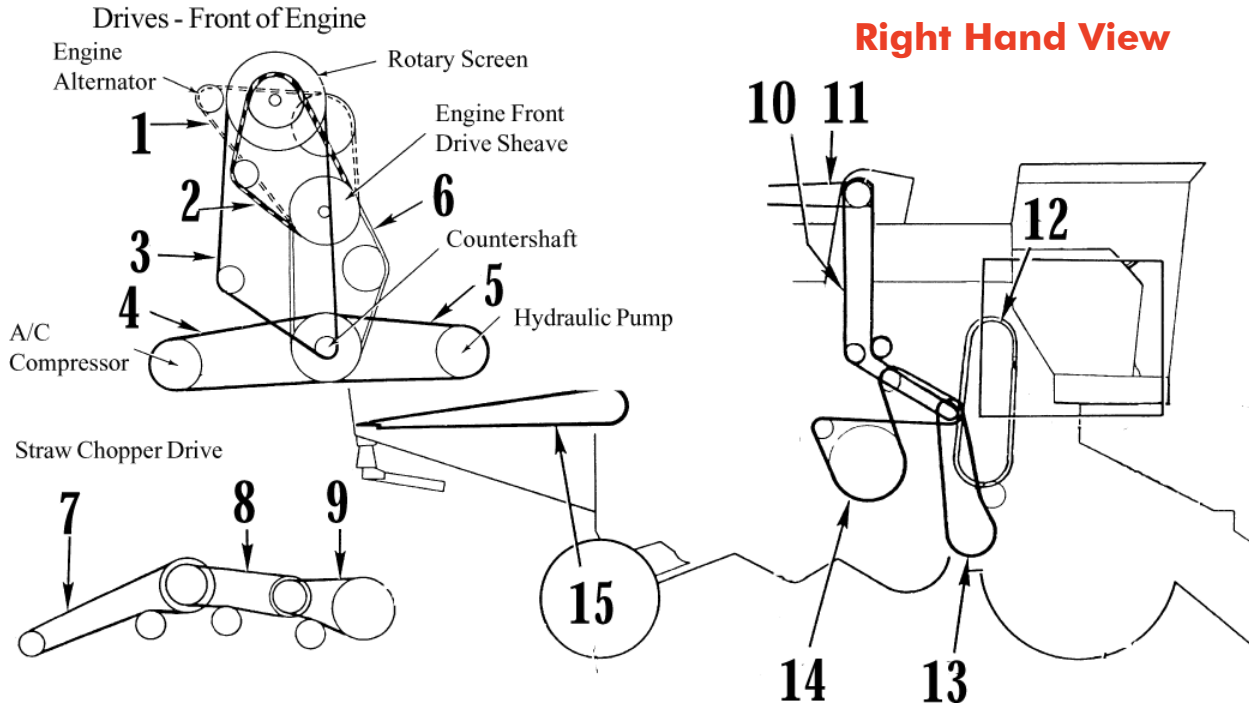
**FITS WHITE/OLIVER/M&M**

**Belt - 7600, 7800 (Continued)**

NUMBER	APPLICATION	DESCRIPTION	PART NUMBER
1	7600	Fan & Alternator Drive	CYL WP9811873
1	7800	Fan Drive, Radiator	CYL WP31-1558890
1	7800	Water Pump & Alternator Drive	CYL WP31-1558900
2	7600 (Prior S/N 23140)	Unloader Countershaft Drive	BEV 2RB64
2	7800	Unloader Countershaft Drive	BEV 2RB62
3	7600	Straw Spreader Drive	BEV B210
3	7800	Straw Spreader Drive	BEV B218
4	7600, 7800	Straw Walker Drive	BEV B150
5	7600, 7800	Cylinder Drive, Vari-Speed	BEL HM106
6	7600, 7800	Shoe Pitman Drive	BEV C104
7	7600, 7800	Crop Chopper Primary Drive	BEV C90
8	7600, 7800	Crop Chopper Intermediate Drive	BEV C114
9	7600, 7800	Crop Chopper Rear Drive	BEV C214
10	7600, 7800 (Eff S/N 30101)	Grain Elevator Drive	BEV C188
10	7800 (Prior S/N 30100)	Grain Elevator Drive	BEV C202
11	7600	Leveling Auger Drive	BEV B144
11	7800	Leveling Auger Drive	BEV B152
12	7600, 7800	Unloader Auger Drive	BEV 3RB136
13	7600, 7800	Air Compressor Drive	CYL WP31-1607690
14	7600, 7800	Cleaing Fan Drive	BEV B111
15	7600, 7800 (Prior S/N 40101)	Hydro Charger Pump	CYL WP31-1567430
16	7600	Hydrostatic Drive	BEV 2RC160
16	7800	Hydrostatic Drive	BEV 3RB162
17	7600, 7800	Top Feeder Shaft Drive	BEV 3RB120
18	7600, 7800	Header Countershaft Drive	CYL WP31-1594230
19	7600, 7800	Reel Primary Belt Drive	BEV B84
20	7600, 7800	Reel Final Belt Drive	BEV C141
20	7600, 7800	Reel Belt Drive, Vari-Speed	BEV C117
21	7600, 7800	Mechanical Drive	BEV 2RB136
22	7600, 7800	Return Elevator Drive	BEV B64
23	7600, 7800	Beater Drive	BEV 3RB83
23	7600, 7800	Thresher Drive (Declutch)	BEV 3RB83
25	7600, 7800	Propulsion Drive	BEV 3RB81

FITS WHITE/OLIVER/M&M

Belt - 8600



Q Power® Belts, when you can't stop, you need the belt that won't stop. American made Q Power® Belts belts are designed to keep you and your equipment in the field. No matter what the crop... beans to corn, no matter what the conditions ... muddy to dry. Q Power® Belts keeps you running. No other belt can stand up to the demand of your equipment and your schedule better than Q Power® Belts.

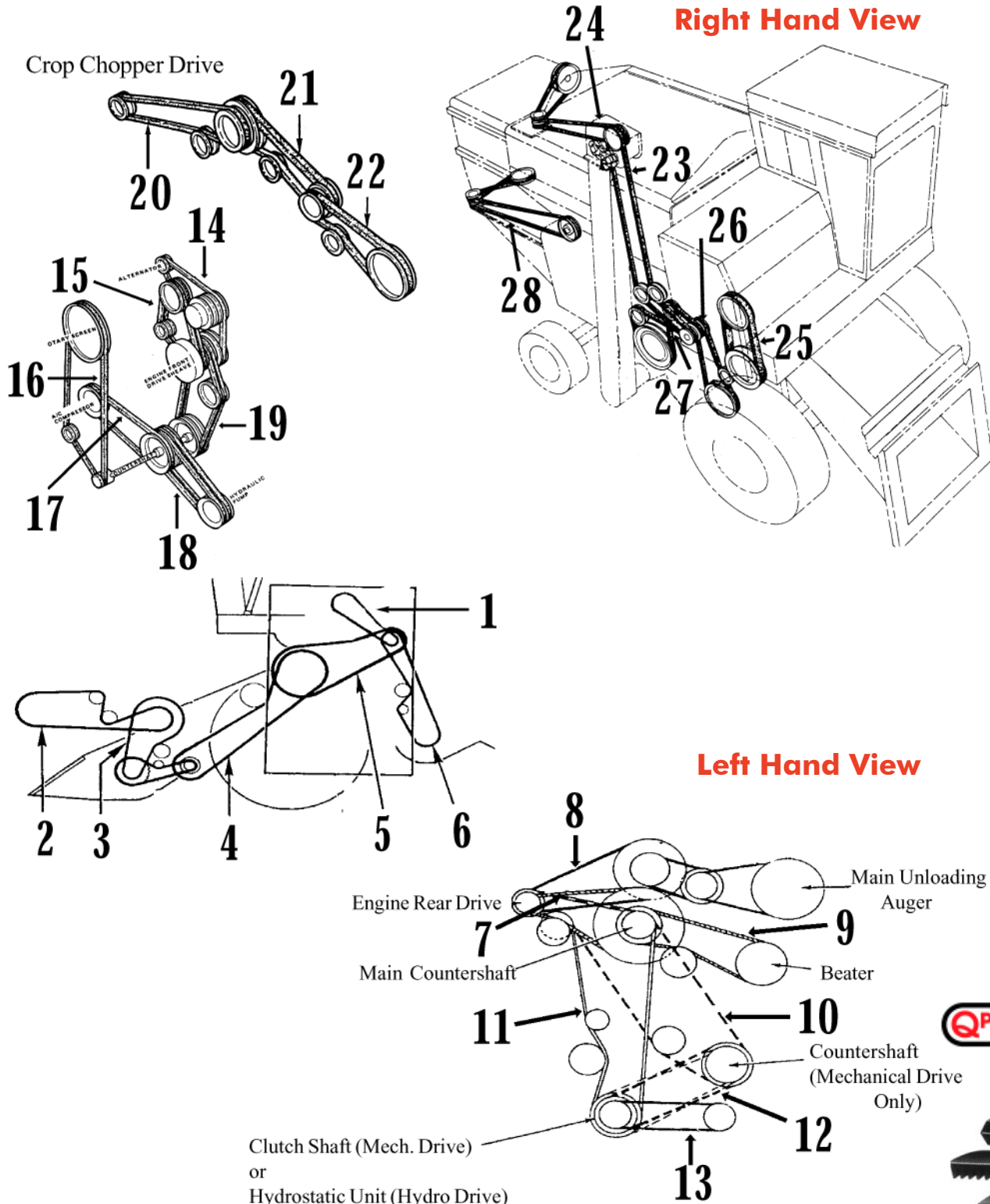


**FITS WHITE/OLIVER/M&M**
**Belt - 8600 (Continued)**

NUMBER	APPLICATION	DESCRIPTION	PART NUMBER
1	8600 (Eff S/N 40701)	Water Pump & Alternator Drive (400 Gas)	CYL WP31-1558900
1	8600 (Eff S/N 40701)	Water Pump & Alternator Drive (Diesel)	BEV C49
2	8600 (Eff S/N 40701)	Radiator Fan Drive (Set Of 2)	CYL WP31-1677150
3	8600 (Eff S/N 40701)	Rotary Screen Drive	BEV A76
4	8600 (Eff S/N 40701)	A/C Compressor Drive	CYL WP31-1679590
5	8600 (Prior S/N 62000)	Hydraulic Pump Drive	CYL WP31-1681440
5	8600 (Eff S/N 62001)	Hydraulic Pump Drive	CYL WP31-1710550
6	8600 (Eff S/N 40701)	Countershaft Drive, (Set Of 2)	CYL WP31-1677220
8	8600	Crop Chopper, Intermediate	BEV C114
9	8600	Crop Chopper, Primary	BEV C90
10	8600	Grain Elevator Drive	BEV C188
11	8600	Leveling Auger Drive	BEV B240
12	8600 (Eff S/N 40701)	Cylinder Drive, Vari-Speed	BEL HM94.5
13	8600	Shoe Pitman Drive	BEV C104
14	8600	Straw Walker Drive	BEV B150
15	8600	Straw Spreader Drive	BEV B218
16	8600	Return Elevator Drive	BEV B64
17	8600	Top Feeder Shaft Drive	BEV 3RB158
18	8600	Cleaning Fan Drive	BEV B111
19	8600	Head Countershaft Drive	BEV 3RB158
20	8600	Reel Final Drive, Vari-Speed	BEV C141
21	8600	Reel Primary Drive	BEV B84
22	8600 (Eff S/N 40701)	Unloader Declutch Drive	BEV 2RB75
23	8600 (Eff S/N 40701)	Mechanical Prop. Drive	CYL WP31-1679050
24	8600 (Eff S/N 40701)	Beater Drive	BEV 3RB72
25	8600 (Eff S/N 40701)	Thresher Declutch Drive	BEV 4RB81
26	8600 (Eff S/N 40701)	Hydrostatic Prop. Drive	BEV 3RB191
27	8600	Pump Drive Belt (Hydro)	CYL WP31-1567430
28	8600	Mechanical Prop. Drive	BEL HM130

FITS WHITE/OLIVER/M&M

Belt - 8800



Q Power® Belts, when you can't stop, you need the belt that won't stop. American made Q Power® Belts belts are designed to keep you and your equipment in the field. No matter what the crop... beans to corn, no matter what the conditions ... muddy to dry. Q Power® Belts keeps you running. No other belt can stand up to the demand of your equipment and your schedule better than Q Power® Belts.

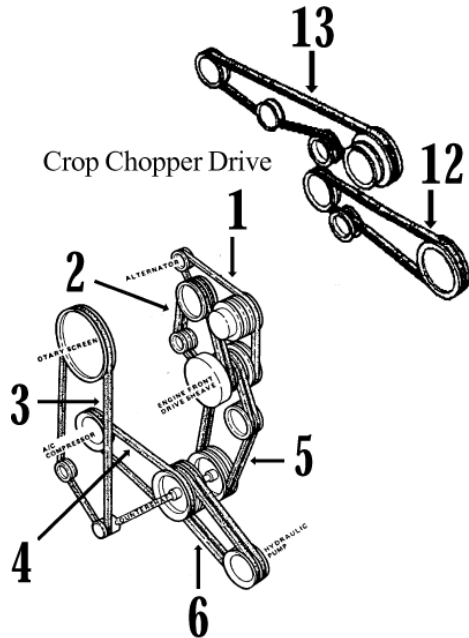
**FITS WHITE/OLIVER/M&M**

**Belt - 8800 (Continued)**

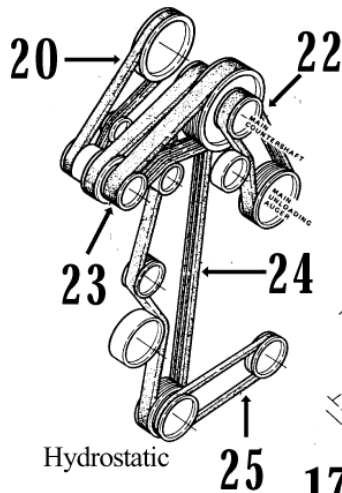
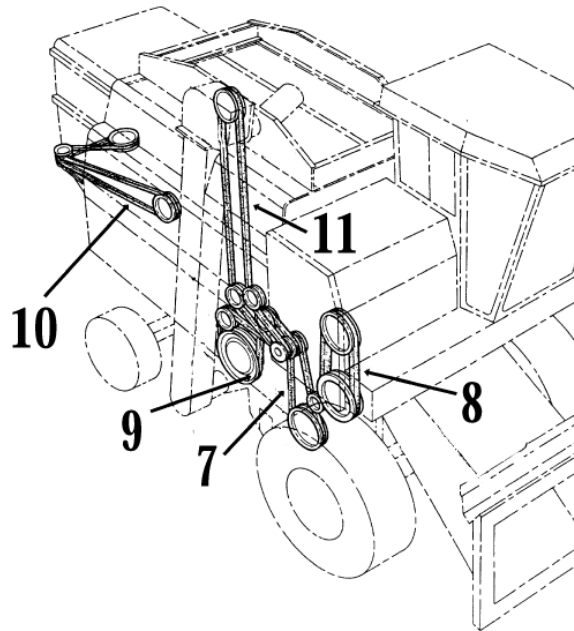
NUMBER	APPLICATION	DESCRIPTION	PART NUMBER
1	8800	Return Elevator Drive	BEV B64
2	8800	Reel Final Drive	BEV C141
2	8800	Reel Final Drive, Vari-Speed	BEV C117
3	8800	Reel Primary Drive	BEV B84
4	8800	Header Countershaft Drive	BEV 3RB158
5	8800	Top Feeder Shaft Drive	BEV 3RB120
6	8800	Cleaning Fan Drive	BEV B111
7	8800 (Eff S/N 35101)	Thresher Declutch Drive	BEV 4RB81
8	8800 (Eff S/N 35101)	Unloader Declutch Drive	BEV 2RB75
9	8800 (Eff S/N 35101)	Beater Drive	BEV 3RB72
10	8800 (Eff S/N 35101)	Mechanical Prop. Drive	CYL WP31-1679050
11	8800 (Eff S/N 35101)	Hydrostatic Prop. Drive	BEV 2RB190
12	8800	Hydrostatic Prop Drive, Vari-Speed	BEL HM130
13	8800	Pump Drive Belt (Hydro)	CYL WP31-1567430
14	8800 (Eff S/N 35101)	Waterpump & Alternator Drive (318 Gas)	BEV C46
14	8800 (Eff S/N 35101)	Waterpump & Alternator Drive (354 Diesel)	BEV C49
15	8800 (Eff S/N 35101)	Radiator Fan Drive (Set Of 2)	CYL WP31-1677150
	8800 (Eff S/N 35101)	Rotary Screen Drive	BEV A76
17	8800 (Eff S/N 35101)	A/C Compressor Drive	CYL WP31-1679590
18	8800 (Eff S/N 35101)	Hydraulic Pump Drive	CYL WP31-1681440
16	8800 (Eff S/N 35101)	Countershaft Drive (Set Of 2)	BEV A76
20	8800	Straw Chopper, Rear	BEV C214
21	8800	Straw Chopper, Intermediate	BEV C114
23	8800	Grain Elevator Drive	BEV C188
24	8800	Leveling Auger Drive	CYL WP1680230W1
24	8800	Leveling Auger Drive	CYL WP1680230W1
25	8800 (Eff S/N 35101)	Cylinder Belt Drive, Vari-Speed	BEL HM94.5
26	8800	Shoe Pitman Drive	BEV C104
27	8800	Straw Walker Drive	BEV B150
28	8800	Straw Spreader Drive	BEV B218

FITS WHITE/OLIVER/M&M

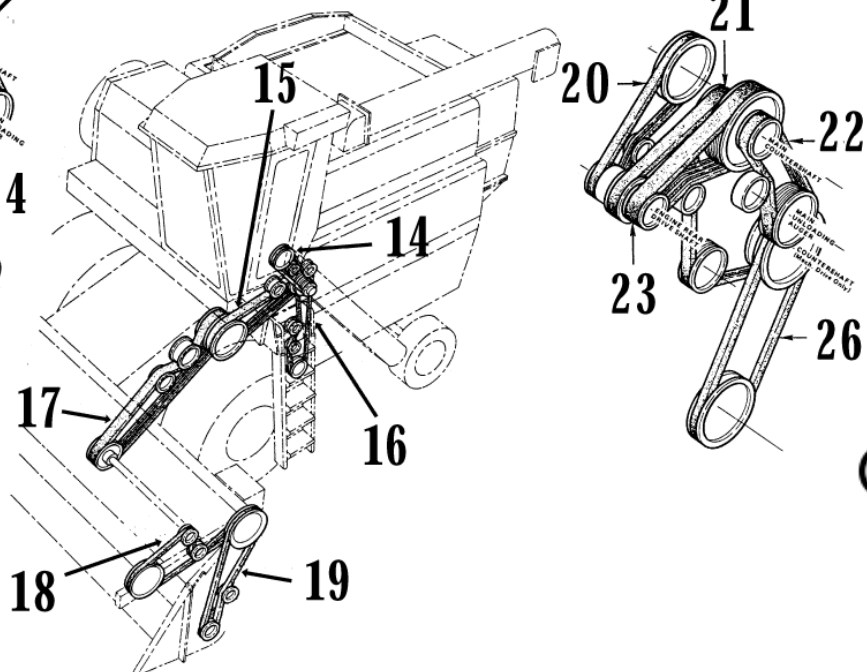
Belt - 8900



Right Hand View



Left Hand View



Q Power® Belts, when you can't stop, you need the belt that won't stop. American made Q Power® Belts belts are designed to keep you and your equipment in the field. No matter what the crop... beans to corn, no matter what the conditions ... muddy to dry. Q Power® Belts keeps you running. No other belt can stand up to the demand of your equipment and your schedule better than Q Power® Belts.

**FITS WHITE/OLIVER/M&M**

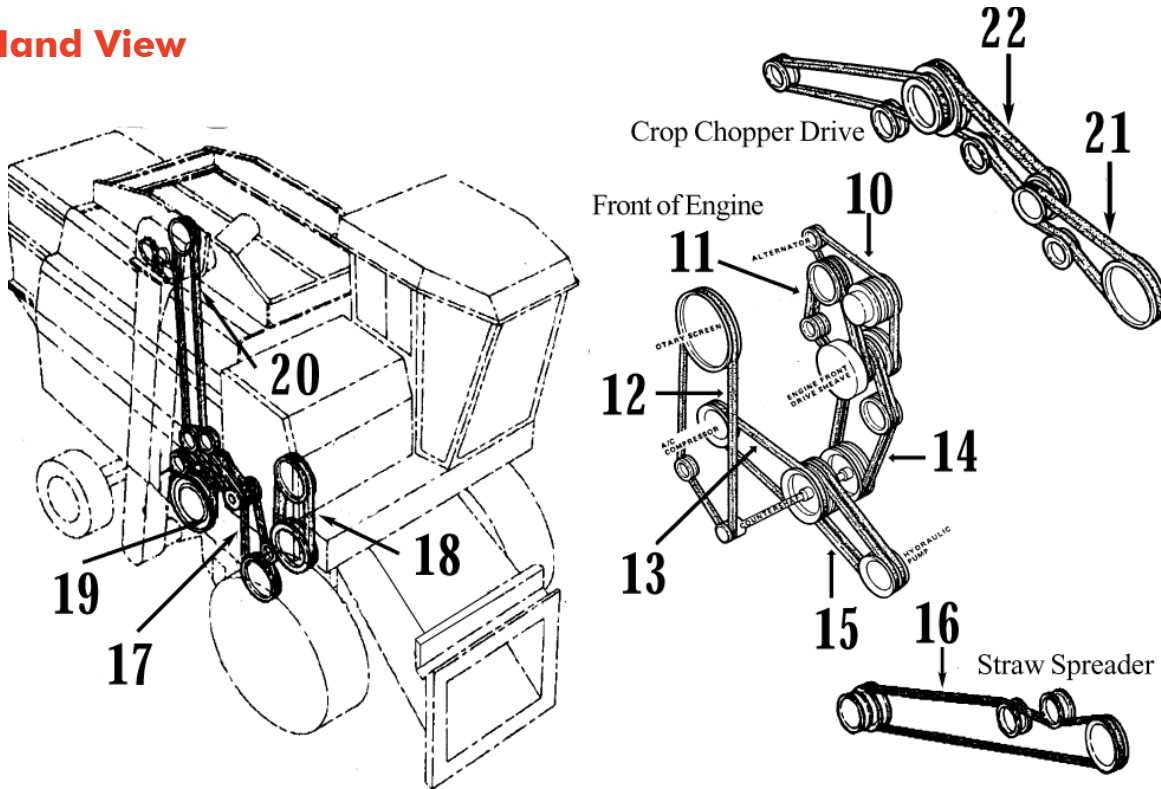
**Belt - 8900 (Continued)**

NUMBER	APPLICATION	DESCRIPTION	PART NUMBER
1	8900	Water Pump & Alternator Drive	BEV C49
2	8900	Radiator Fan Drive	CYL WP31-1677150
3	8900	Rotary Screen Drive	BEV A76
4	8900	Air Conditioning Compressor Drive	CYL WP31-1679590
5	8900 (Eff S/N 31101)	Countershaft Drive, (Set Of 2)	CYL WP31-1803500
5	8900 (Prior S/N 21100)	Countershaft Drive, (Set Of 2)	CYL WP31-1677220
6	8900	Hydraulic Pump Drive, (Set Of 2)	CYL WP31-1710550
7	8900	Shoe Pitman Drive	BEV C104
8	8900	Cylinder Belt Drive, Vari-Speed	BEL HM94.5
9	8900	Straw Walker Drive	BEV B150
10	8900	Straw Spreader Drive	BEV B218
11	8900	Grain Elevator Drive	CYL WP31-1781280
12	8900	Crop Chopper, Primary	BEV C160
13	8900	Crop Chopper, Rear	CYL WP31-7535030
14	8900	Return Elevator Drive	BEV B64
15	8900	Top Feeder Shaft Drive	BEV 3RB120
16	8900	Cleaning Fan Drive (Std Speed)	BEV B111
17	8900	Head Countershaft Drive	BEV 3RB158
17	8900	Long Rice Feeder Belt	CYL WP31-1695680
19	8900	Reel Primary Drive	BEV B84
20	8900	Unloader Declutch Drive	BEV 2RB90
21	8900	Mechanical Propulsion Drive	CYL WP31-1679050
22	8900	Beater Drive	BEV 3RB72
23	8900	Thresher Declutch Drive	BEV 4RB81
24	8900	Hydrostatic Propulsion Drive	BEV 3RB191
25	8900	Pump Drive Belt (Hydro)	CYL WP31-1567430
26	8900	Mechanical Propulsion Drive	BEL HM130

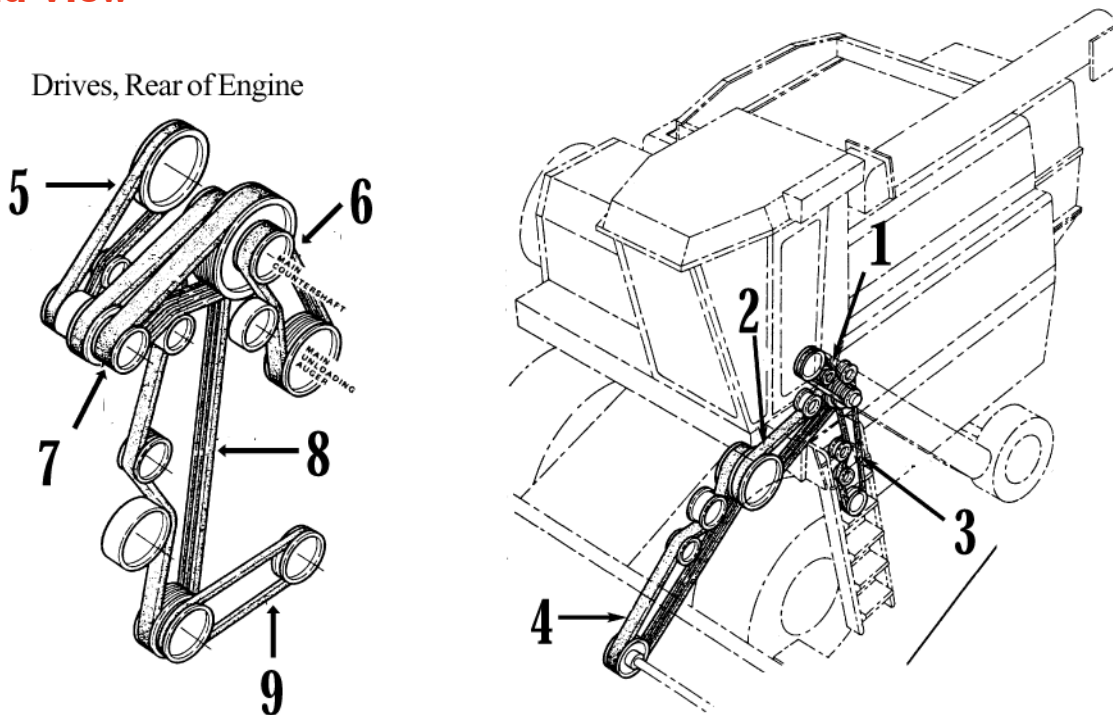
FITS WHITE/OLIVER/M&M

Belt - 8920

Right Hand View



Left Hand View



Q Power® Belts, when you can't stop, you need the belt that won't stop. American made Q Power® Belts belts are designed to keep you and your equipment in the field. No matter what the crop... beans to corn, no matter what the conditions ... muddy to dry. Q Power® Belts keeps you running. No other belt can stand up to the demand of your equipment and your schedule better than Q Power® Belts.



**FITS WHITE/OLIVER/M&M**

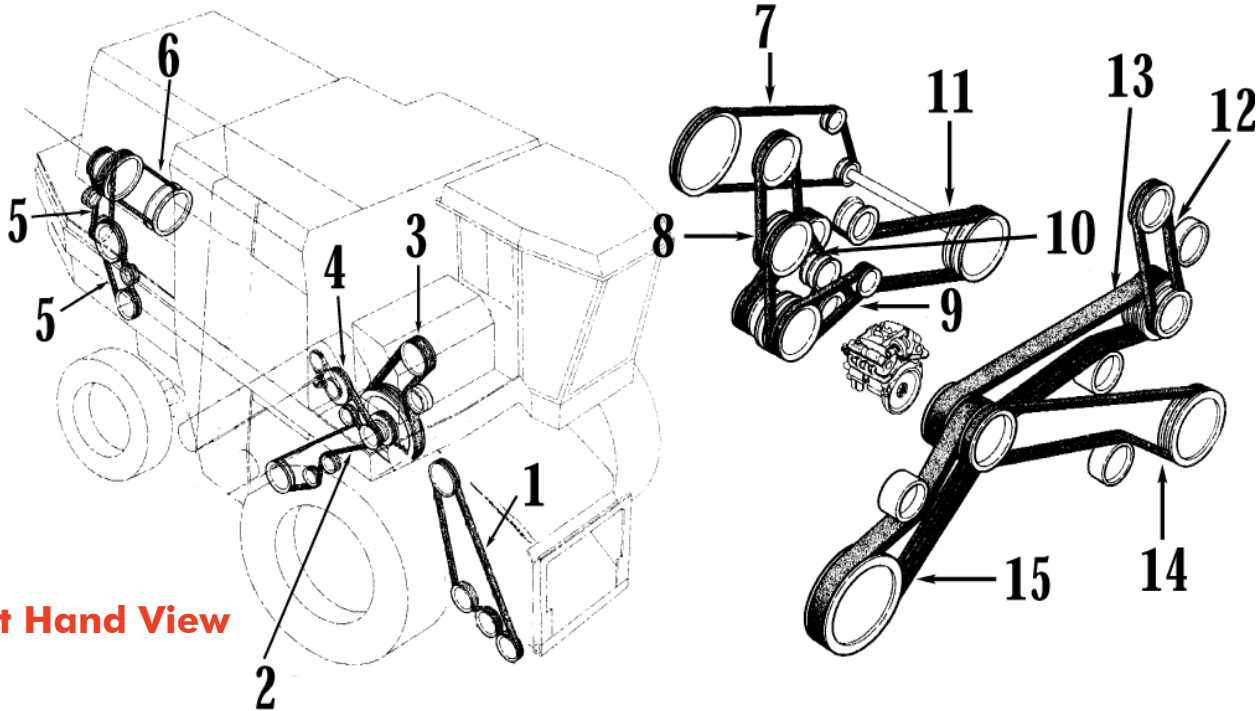
**Belt - 8920 (Continued)**

NUMBER	APPLICATION	DESCRIPTION	PART NUMBER
1	8920	Return Elevator Drive	BEV B64
2	8920	Top Feeder Shaft Drive	BEV 3RB120
3	8920	Cleaning Fan Drive (Std. Speed)	BEV B111
3	8920	Cleaning Fan Drive (Slow Speed)	BEV B104
4	8920	Head Countershaft Drive	CYL WP31-1695680
5	8920	Unloader Declutch Drive	BEV 2RB90
6	8920	Beater Drive	BEV 3RB72
7	8920	Thresher Declutch Drive	BEV 4RB81
8	8920	Hydrostatic Propulsion Drive	BEV B190 (3 Required)
9	8920	Pump Drive	CYL WP31-1567430
10	8920	Water Pump & Alternator Drive	BEV C49
11	8920	Radiator Fan Drive (Set Of 2)	CYL WP31-1677150
12	8920	Rotary Screen Drive	BEV A76
13	8920	Air Conditioning Compressor Drive	CYL WP31-1679590
14	8920	Countershaft Drive (Set Of 2)	CYL WP31-1803500
15	8920	Hydraulic Pump Drive (Set Of 2)	CYL WP31-1710550
16	8920	Straw Spreader Drive	BEV B158
17	8920	Shoe Pitman Drive	BEV C104
18	8920	Cylinder Belt Drive, Vari-Speed	BEL HM94.5
19	8920	Straw Walker Drive	BEV B150
20	8920	Grain Elevator Drive	CYL WP31-1781280
21	8920	Crop Chopper, Primary	BEV C160
22	8920	Crop Chopper, Rear	CYL WP31-7535030



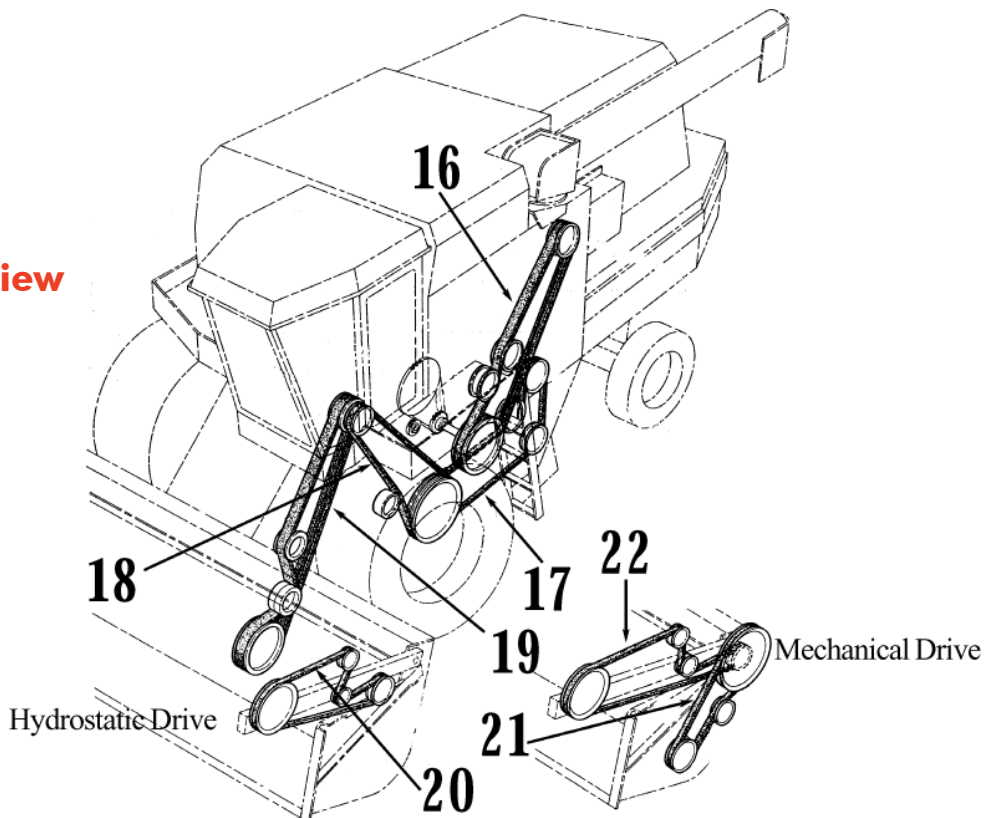
FITS WHITE/OLIVER/M&M

Belt - 9700



Right Hand View

Left Hand View



Q Power® Belts, when you can't stop, you need the belt that won't stop. American made Q Power® Belts belts are designed to keep you and your equipment in the field. No matter what the crop... beans to corn, no matter what the conditions ... muddy to dry. Q Power® Belts keeps you running. No other belt can stand up to the demand of your equipment and your schedule better than Q Power® Belts.

**FITS WHITE/OLIVER/M&M**

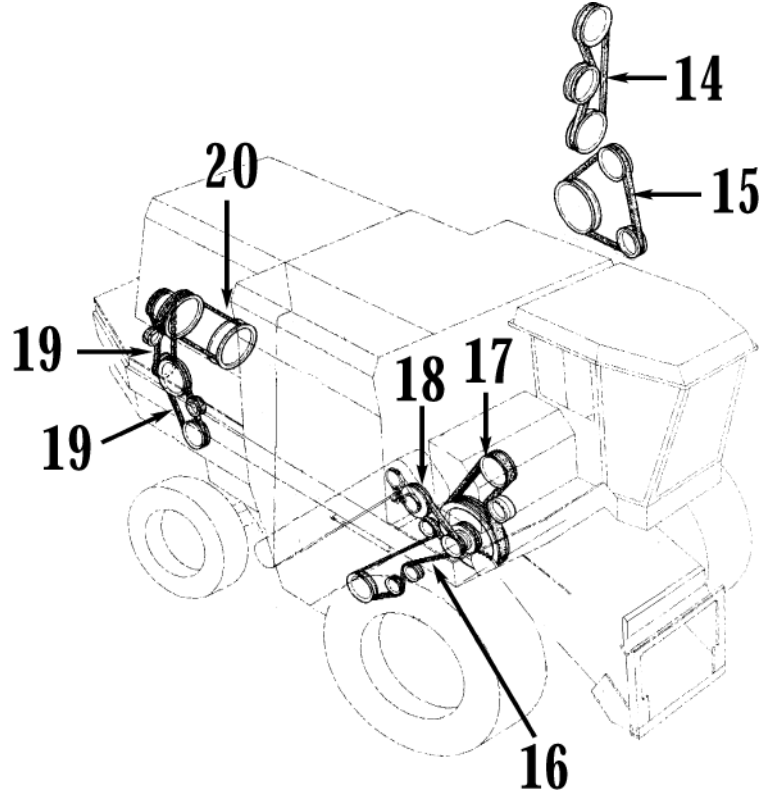
**Belt - 9700 (Continued)**

NUMBER	APPLICATION	DESCRIPTION	PART NUMBER
2	9700	Cleaning Fan Drive	CYL WP31-2439720
3	9700	Feed Impeller Drive	BEV 3RB120
4	9700	Return Elevator Drive	BEV B66
5	9700 (Eff S/N 30101)	Crop Chopper Drive, 77.7"	CYL WP31-2553480
5	9700 (Prior S/N 30100)	Crop Chopper Drive, 76"	BEV C72
7	9700	Rotary Screen Drive	BEV A80
8	9700	Air Conditioner Compressor Drive	CYL WP2498110W1
8	9700	Air Conditioner Compressor Drive	CYL WP2498110W1
9	9700	Alternator Drive	CYL WP31-2403270
10	9700	Water Pump Drive	BEV C46
11	9700	Radiator Fan & Countershaft Drive (Set-2)	CYL WP31-2449290
12	9700	Hydraulic Pump Drive	BEV B53
13	9700	Hydrostatic Pump Drive	BEV 4RB87
14	9700	Unloader Primary Drive	BEV 2RB112
15	9700	Thresher Drive	BEV B100
15	9700	Thresher Drive	BEV B100
16	9700	Unloader Drive, Secondary	CYL WP2496110W1
16	9700	Unloader Drive, Secondary	CYL WP2496110W1
17	9700	Grain Elevator Drive, Primary	CYL WP2439700W1
17	9700	Grain Elevator Drive, Primary	CYL WP2439700W1
18	9700	Pitman Drive	CYL WP2439710W1
18	9700	Pitman Drive	CYL WP2439710W1
19	9700	Head Countershaft Drive	CYL WP2523670W1
19	9700	Head Countershaft Drive	CYL WP2523670W1
21	9700	Reel Final Drive (Mech)	BEV C141
22	9700	Reel Primary Drive (Mech.)	BEV B84

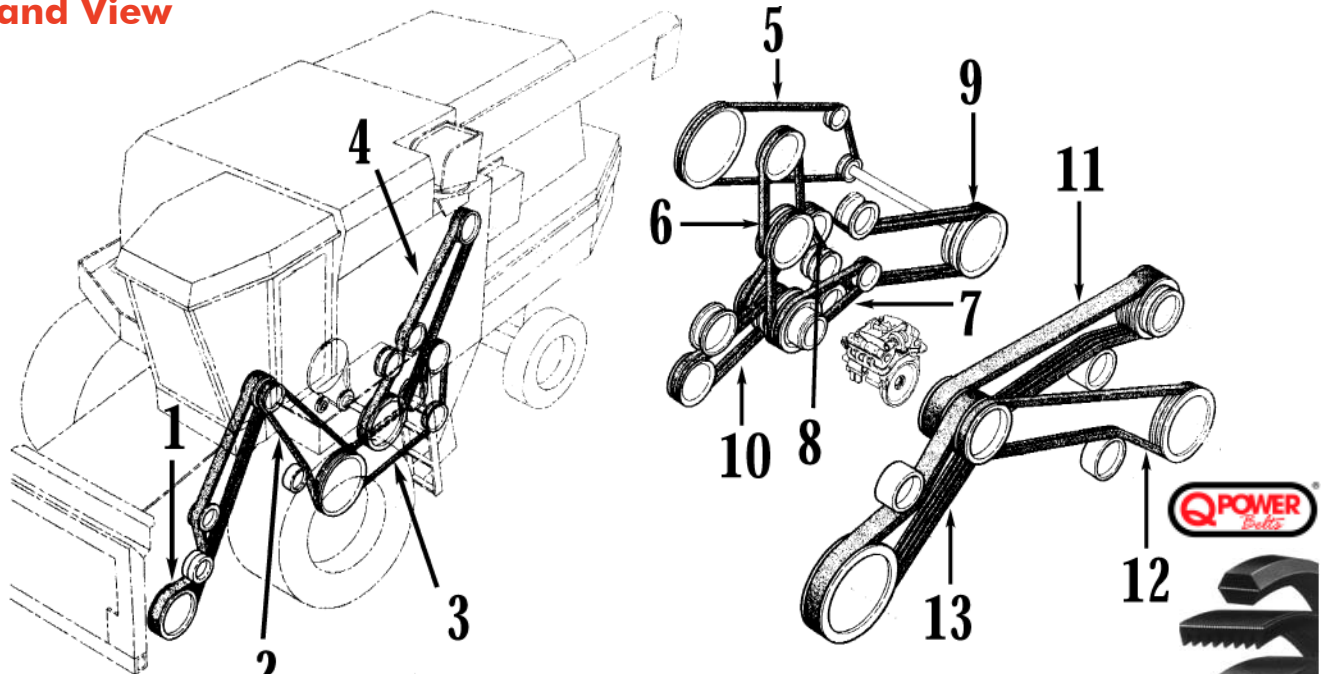
**FITS WHITE/OLIVER/M&M**

Belt - 9720

**Right Hand View**



**Left Hand View**



Q Power® Belts, when you can't stop, you need the belt that won't stop. American made Q Power® Belts belts are designed to keep you and your equipment in the field. No matter what the crop... beans to corn, no matter what the conditions ... muddy to dry. Q Power® Belts keeps you running. No other belt can stand up to the demand of your equipment and your schedule better than Q Power® Belts.

**FITS WHITE/OLIVER/M&M**

**Belt - 9720 (Continued)**

NUMBER	APPLICATION	DESCRIPTION	PART NUMBER
1	9720	Head Countershaft Drive	CYL WP2523670W1
1	9720	Head Countershaft Drive	CYL WP2523670W1
2	9720	Pitman Drive	CYL WP2439710W1
2	9720	Pitman Drive	CYL WP2439710W1
3	9720	Grain Elevator Drive, Primary	CYL WP2439700W1
3	9720	Grain Elevator Drive, Primary	CYL WP2439700W1
4	9720	Unloader Drive, Secondary	CYL WP2496110W1
4	9720	Unloader Drive, Secondary	CYL WP2496110W1
5	9720	Rotary Screen Drive	BEV A80
6	9720	A/C Compressor Drive	CYL WP2498110W1
6	9720	A/C Compressor Drive	CYL WP2498110W1
7	9720	Alternator Drive	CYL WP31-2403270
8	9720	Water Pump Drive	BEV C46
9	9720	Radiator Fan & Countershaft Drive	CYL WP31-2449290
10	9720	Hydraulic Pump Drive (Set Of 2)	CYL WP31-2604010
11	9720	Hydrostatic Pump Drive	BEV 4RB87
12	9720	Unloader Primary Drive	CYL WP2605020W1
12	9720	Unloader Primary Drive	CYL WP2605020W1
13	9720	Thresher Drive	BEV B100
13	9720	Thresher Drive	BEV B100
14	9720	Straw Spreader, Primary	CYL WP2543960W1
14	9720	Straw Spreader, Primary	CYL WP2543960W1
15	9720	Straw Spreader, Secondary	CYL WP2543970W1
15	9720	Straw Spreader, Secondary	CYL WP2543970W1
16	9720	Cleaning Fan Drive	CYL WP31-2439720
17	9720	Feed Impeller Drive	BEV 3RB120
18	9720	Return Elevator Drive	CYL WP31-2492070
19	9720	Crop Chopper Drive	CYL WP31-2553480

**INTENTIONALLY  
BLANK**