

**INDEX**

|   |                          |   |                            |
|---|--------------------------|---|----------------------------|
| 1726200-2RS Series - Bearing Inserts.....         | 2-45 to 2-46             | Ball Bearings - Skate.....                | 2-12                       |
| 1736200-2RS Series - Bearing Inserts.....         | 2-45                     | Ball Bearings - Skateboard.....           | 2-12                       |
| 2 Hole - Flange Blocks.....                       | 2-38 to 2-39, 2-59, 2-61 | Ball Bearings - Snowmobile.....           | 2-11                       |
| 2 Row - Ball Bearings.....                        | 2-9                      | Ball Bearings - Special.....              | 2-8                        |
| 30200, 30300 Sereis - Tapered Bearings.....       | 2-17                     | Ball Bearings - Sprayer.....              | 2-10                       |
| 4 Hole - Flange Blocks.....                       | 2-40 to 2-41, 2-58, 2-66 | Ball Bushing - Inch.....                  | 2-86                       |
| 5200-2RS, 5300-2RS Series - Ball Bearings.....    | 2-9                      | Ball Bushing - Metric.....                | 2-87                       |
| 600, 6000, 6200, 6300 Series - Ball Bearings..... | 2-5                      | Ball Transfer - Ball Bearings.....        | 2-65                       |
| 6200-ZNR, 6300-ZNR - Ball Bearings.....           | 2-7                      | Bearings - Bronze.....                    | 2-8                        |
| 63200-2RS, 63300-2RS Series - Ball Bearings.....  | 2-7                      | Bearings - Bronze Display.....            | 2-80                       |
| 6800, 6900 Series - Ball Bearings.....            | 2-4                      | Bearings - Cam Follower.....              | 2-90                       |
| Ag - Seal.....                                    | 2-114                    | Bearings - CF-SB Series.....              | 2-90                       |
| Ag Bearing - Interchange.....                     | 2-91 to 2-98             | Bearings - CS204.....                     | 2-78                       |
| Air Compressor - Ball Bearings.....               | 2-66                     | Bearings - Disc Display.....              | 2-78                       |
| Angular Contact - Ball Bearings.....              | 2-9                      | Bearings - Disc Harrow.....               | 2-68 to 2-69, 2-74 to 2-78 |
| ATV - Ball Bearings.....                          | 2-11                     | Bearings - Disc Interchange.....          | 2-70 to 2-73               |
| Automotive - Ball Bearings.....                   | 2-10                     | Bearings - Needle.....                    | 2-82 to 2-85               |
| Ball and Taper - Bearing Display.....             | 2-2, 2-44                | Bearings - Nomenclature.....              | 2-13                       |
| Ball Bearings - Two Row.....                      | 2-9                      | Bearings - Oil Impregnated.....           | 2-81                       |
| Ball Bearings - 5200-2RS, 5300-2RS Series.....    | 2-9                      | Bearings - Rod End Inch.....              | 2-88                       |
| Ball Bearings - 600, 6000, 6200, 6300 Series..... | 2-5                      | Bearings - Rod End Metric.....            | 2-89                       |
| Ball Bearings - 6200-ZNR, 6300-ZNR.....           | 2-7                      | Bearings - ST491A Disc.....               | 2-78                       |
| Ball Bearings - 63200-2RS, 63300-2RS Series.....  | 2-7                      | Bearings - Swath Roll.....                | 2-78                       |
| Ball Bearings - 6800, 6900 Series.....            | 2-4                      | Bearings - Trailer Wheel Kits.....        | 2-18                       |
| Ball Bearings - Air Compressor.....               | 2-66                     | Bearings - Transfer.....                  | 2-65                       |
| Ball Bearings - Angular Contact.....              | 2-9                      | Bearing Display - Ball and Taper.....     | 2-2, 2-44                  |
| Ball Bearings - ATV.....                          | 2-11                     | Bearing Display - Disc Display.....       | 2-78                       |
| Ball Bearings - Automotive.....                   | 2-10                     | Bearing Inserts - 1726200-2RS Series..... | 2-45 to 2-46               |
| Ball Bearings - Ball Transfer.....                | 2-65                     | Bearing Inserts - 1736200-2RS Series..... | 2-45                       |
| Ball Bearings - Cartridge Type.....               | 2-7                      | Bearing Inserts - Boots.....              | 2-45                       |
| Ball Bearings - Compressor.....                   | 2-66                     | Bearing Inserts - Browning.....           | 2-43                       |
| Ball Bearings - Electric Motor C3.....            | 2-6                      | Bearing Inserts - Fafnir Series.....      | 2-54                       |
| Ball Bearings - Extra Wide.....                   | 2-7                      | Bearing Inserts - Flat Outer Race.....    | 2-47                       |
| Ball Bearings - Flange.....                       | 2-10                     | Bearing Inserts - Furnace.....            | 2-65                       |
| Ball Bearings - Inch Ground.....                  | 2-3                      | Bearing Inserts - G1000KRRB Series.....   | 2-54                       |
| Ball Bearings - Inch Precision.....               | 2-4                      | Bearing Inserts - GN100KRRB Series.....   | 2-56                       |
| Ball Bearings - Scooter.....                      | 2-12                     | Bearing Inserts - GN300 Series.....       | 2-56                       |

## INDEX

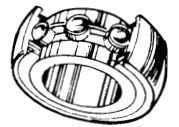
|  |                        |   |                            |
|--|------------------------|---|----------------------------|
| Bearing Inserts - Heavy Series.....        | 2-56                   | Disc Harrow - Bearings.....             | 2-68 to 2-69, 2-74 to 2-78 |
| Bearing Inserts - Hex Bore.....            | 2-79                   | Disc Interchange - Bearings.....        | 2-70 to 2-73               |
| Bearing Inserts - Interchange.....         | 2-48, 2-50, 2-53, 2-55 | Display - Bronze Bushing.....           | 2-80                       |
| Bearing Inserts - Metric Bore.....         | 2-45 to 2-46           | Display - Disc Bearing.....             | 2-78                       |
| Bearing Inserts - Round Outer Race.....    | 2-49                   | Display - Housing and Insert.....       | 2-44                       |
| Bearing Inserts - Rubber.....              | 2-45                   | Eccentric - Locking Collars.....        | 2-47                       |
| Bearing Inserts - SA200 Series.....        | 2-49                   | Electric Motor C3 - Ball Bearings.....  | 2-6                        |
| Bearing Inserts - SAA200 Series.....       | 2-47                   | Extra Wide - Ball Bearings.....         | 2-7                        |
| Bearing Inserts - SB200 Series.....        | 2-51                   | F200 Series - Flange Blocks.....        | 2-58                       |
| Bearing Inserts - Set Screw Locking.....   | 2-51 to 2-52           | Fafnir Series - Bearing Inserts.....    | 2-54                       |
| Bearing Inserts - UC200 Series.....        | 2-52                   | FD200 Series - Flange Blocks.....       | 2-61                       |
| Bearing Inserts - VS200, VE200 Series..... | 2-43                   | FL200 Series - Flange Blocks.....       | 2-59                       |
| Boots - Bearing Inserts.....               | 2-45                   | Flange - Ball Bearings.....             | 2-10                       |
| Bronze - Bearings.....                     | 2-81                   | Flange Blocks - 2 Hole.....             | 2-38 to 2-39, 2-59, 2-61   |
| Bronze - Bushing.....                      | 2-81                   | Flange Blocks - 4 Hole.....             | 2-40 to 2-41, 2-58, 2-66   |
| Bronze Bushing - Display.....              | 2-80                   | Flange Blocks - Browning.....           | 2-38 to 2-40               |
| Bronze Display - Bearings.....             | 2-80                   | Flange Blocks - Deep Housings.....      | 2-66                       |
| Browning - Bearing Inserts.....            | 2-43                   | Flange Blocks - F200 Series.....        | 2-58                       |
| Browning - Flange Blocks.....              | 2-38 to 2-40           | Flange Blocks - FD200 Series.....       | 2-61                       |
| Browning - Insert Bearings.....            | 2-43                   | Flange Blocks - FL200 Series.....       | 2-59                       |
| Browning - Pillow Blocks.....              | 2-36 to 2-37           | Flange Blocks - FS200 Series.....       | 2-66                       |
| Browning - Take Up Blocks.....             | 2-42                   | Flange Blocks - Housing Only.....       | 2-58 to 2-59, 2-61         |
| Bulk - O-Rings.....                        | 2-116                  | Flange Blocks - Stubby.....             | 2-61                       |
| Bushing - Bronze.....                      | 2-81                   | Flange Blocks - VF2S, VF2E Series.....  | 2-38 to 2-40               |
| Bushing - Inch Ball.....                   | 2-86                   | Flange Blocks - VF4S, VF4E Series.....  | 2-40                       |
| Bushing - Metric Ball.....                 | 2-87                   | Flat Outer Race - Bearing Inserts.....  | 2-47                       |
| Cam Follower - Bearings.....               | 2-90                   | FS200 Series - Flange Blocks.....       | 2-66                       |
| Cartridge Type - Ball Bearings.....        | 2-7                    | Furnace - Bearing Inserts.....          | 2-65                       |
| CF-SB Series - Bearings.....               | 2-90                   | G1000KRRB Series - Bearing Inserts..... | 2-54                       |
| Collars - Locking.....                     | 2-47                   | GN100KRRB Series - Bearing Inserts..... | 2-56                       |
| Compressor - Ball Bearings.....            | 2-66                   | GN300 Series - Bearing Inserts.....     | 2-56                       |
| Construction - Seal.....                   | 2-99                   | Heavy Series - Bearing Inserts.....     | 2-56                       |
| CS204 - Bearings.....                      | 2-78                   | Hex Bore - Bearing Inserts.....         | 2-79                       |
| Deep Housings - Flange Blocks.....         | 2-66                   | Housing and Insert - Display.....       | 2-44                       |
| Disc Bearings - Display.....               | 2-78                   | Housing Heavy - Pillow Blocks.....      | 2-58                       |
| Disc Display - Bearing Display.....        | 2-78                   | Housing Only - Flange Blocks.....       | 2-58 to 2-59, 2-61         |
| Disc Display - Bearings.....               | 2-78                   | Housing Only - Pillow Blocks.....       | 2-57                       |

**INDEX**

|  |              |   |                |
|--|--------------|---|----------------|
| Housing Only - Take Up Blocks.....         | 2-59         | Rod End Metric - Bearing.....               | 2-89           |
| Hub - Seal.....                            | 2-114        | Round Outer Race - Bearing Inserts.....     | 2-49           |
| Inch - Ball Bearing.....                   | 2-86         | Rubber - Bearing Inserts.....               | 2-44           |
| Inch - O-Ring Kit.....                     | 2-115        | SA200 Series - Bearing Inserts.....         | 2-49           |
| Inch Ball - Bushing.....                   | 2-86         | SAA200 Series - Bearing Inserts.....        | 2-47           |
| Inch Ground - Ball Bearings.....           | 2-3          | SB200 Series - Bearing Inserts.....         | 2-51           |
| Inch Precision - Ball Bearings.....        | 2-4          | Scooter - Ball Bearings.....                | 2-12           |
| Inch Sizes - Tapered Bearings.....         | 2-15 to 2-34 | Seal - Ag.....                              | 2-114          |
| Insert Bearings - Browning.....            | 2-43         | Seal - Construction.....                    | 2-99           |
| Insert Bearings - VS200, VE200 Series..... | 2-43         | Seal - Hub.....                             | 2-114          |
| Interchange - Ag Bearings.....             | 2-91 to 2-98 | Seal - Interchange.....                     | 2-109          |
| Interchange - Seal.....                    | 2-109        | Seal - Size Listing Inch.....               | 2-100 to 2-108 |
| Locking - Collars.....                     | 2-47         | Seal - Size Listing Metric.....             | 2-110 to 2-113 |
| Locking Collars - Eccentric.....           | 2-47         | Sealed Cones - Tapered Bearings.....        | 2-14           |
| Metric - Ball Bushing.....                 | 2-87         | Set Screw Locking - Bearing Inserts.....    | 2-51 to 2-52   |
| Metric - O-Ring Kit.....                   | 2-115        | Sets - Tapered Bearings.....                | 2-14           |
| Metric Ball - Bushing.....                 | 2-87         | Size Listing Inch - Seals.....              | 2-100 to 2-108 |
| Metric Bore - Bearing Inserts.....         | 2-45 to 2-46 | Size Listing Metric - Seals.....            | 2-110 to 2-113 |
| Metric Sizes - Tapered Bearings.....       | 2-17         | Skate - Ball Bearings.....                  | 2-12           |
| Needle - Bearing.....                      | 2-82 to 2-85 | Skateboard - Ball Bearings.....             | 2-12           |
| Nomenclature - Bearing.....                | 2-13         | Snowmobile - Ball Bearings.....             | 2-11           |
| Oil Impregnated - Bearing.....             | 2-81         | Special - Ball Bearings.....                | 2-8            |
| O-Ring - Splice Kit.....                   | 2-114        | Splice Kit - O-Ring.....                    | 2-114          |
| O-Ring Kit - Inch.....                     | 2-115        | Sprayer - Ball Bearings.....                | 2-10           |
| O-Ring Kit - Metric.....                   | 2-115        | ST491A Disc - Bearings.....                 | 2-78           |
| O-Rings - Bulk.....                        | 2-116        | Stamped Take Up Units - Take Up Blocks..... | 2-64           |
| P200E Series Housings - Pillow Blocks..... | 2-58         | Stands - Pillow Blocks.....                 | 2-64           |
| Pillow Blocks - Browning.....              | 2-36 to 2-37 | Stubby - Flange Blocks.....                 | 2-61           |
| Pillow Blocks - Housing Heavy.....         | 2-58         | Swath Roll - Bearings.....                  | 2-78           |
| Pillow Blocks - Housing Only.....          | 2-57         | T200 Series - Take Up Blocks.....           | 2-59           |
| Pillow Blocks - P200E Series Housing.....  | 2-58         | Take Up Blocks - Browning.....              | 2-42           |
| Pillow Blocks - Pressed Steel.....         | 2-64         | Take Up Blocks - Housing Only.....          | 2-59           |
| Pillow Blocks - Stands.....                | 2-64         | Take Up Blocks - Pressed Steel.....         | 2-64           |
| Pillow Blocks - VPS, VPE Series.....       | 2-36 to 2-37 | Take Up Blocks - Stamped Take Up Units..... | 2-64           |
| Pressed Steel - Pillow Blocks.....         | 2-64         | Take Up Blocks - T200 Series.....           | 2-59           |
| Pressed Steel - Take Up Blocks.....        | 2-64         | Take Up Blocks - VTWS, VTWE Series.....     | 2-42           |
| Rod End Inch - Bearing.....                | 2-88         | Tapered Bearings - 30200, 30300 Series..... | 2-17           |

**INDEX**

|  |              |
|--|--------------|
| Tapered Bearings - Inch Sizes.....         | 2-15 to 2-34 |
| Tapered Bearings - Metric Sizes.....       | 2-17         |
| Tapered Bearings - Sealed Cones.....       | 2-14         |
| Tapered Bearings - Sets.....               | 2-14         |
| Tapered Bearings - Timken Sets.....        | 2-14         |
| Timken Sets - Tapered Bearings.....        | 2-14         |
| Trailer Wheel Kits - Bearings.....         | 2-18         |
| Transfer - Bearings.....                   | 2-65         |
| UC200 Series - Bearing Inserts.....        | 2-52         |
| VF2S, VF2E Series - Flange Blocks.....     | 2-38 to 2-39 |
| VF4S, VF4E Series - Flange Blocks.....     | 2-40         |
| VPS, VPE Series - Pillow Blocks.....       | 2-36 to 2-37 |
| VS200, VE200 Series - Bearing Inserts..... | 2-43         |
| VS200, VE200 Series - Insert Bearings..... | 2-43         |
| VTWS, VTWE Series - Take Up Blocks.....    | 2-42         |



# WHY BUY BEI

## TOP 10 REASONS WHY YOU SHOULD BUY BEI BEARINGS

1. **GREAT QUALITY** - We have sold thousands of BEI bearings and have seen virtually 0% warranty claims.
2. **WARRANTY** - We warrant them for 1 full agricultural season, "hassle-free" - just fill out the form and that's it - no hassle credit or replacement.
3. **DISCER** - Bearings are all triple lip seals.
4. **TAPER** - Roller bearings are same as those commonly found in popular hub assemblies.
5. **SOURCE** - We buy direct from factory sources worldwide - Taiwan, China, Korea, Europe, Japan.
6. **LABELS** - We buy from the same factories that produce bearings for other manufacturers under their brand label.
7. **COSTS** - We eliminate all of the costs associated with having middle distribution in Canada. We don't have the fancy catalogues or advertising brochures or expensive redistribution warehouses that add to the product price.
8. **OEM** - We sell BEI bearings to a number of OEM manufacturers in Canada. The same factories producing out bearings also sell to OEM manufacturers in the USA.
9. **DISPLAYS** - Three good-looking displays will satisfy about 90% of the bearing orders you will receive over the counter.
10. **PRICING** - Customer may choose to purchase the more economical bearing but still desire a good quality product - BEI gives them that!!!



**BALL AND TAPER BEARING DISPLAY**

A quick & convenient display of fast-moving quality WP ball & taper bearings

Display includes the following items on an attractive 2' x 4' Display Board

**Ball Bearings**

| QTY | PART NO.         |
|-----|------------------|
| 4   | BEI 1726204-2RS  |
| 2   | BEI 1726205-2RS  |
| 2   | BEI 1726206-RS   |
| 2   | BEI 1726207-2RS  |
| 2   | BEI 172628-2RS   |
| 4   | BEI 203KRR2      |
| 4   | BEI Z9504B       |
| 2   | BEI 6000-2RS     |
| 2   | BEI 6001-2RS     |
| 2   | BEI 6002-2RS     |
| 2   | BEI 6003-2RS     |
| 2   | BEI 6004-2RS     |
| 2   | BEI 6005-2RS     |
| 2   | BEI 6006-2RS     |
| 2   | BEI 6007-2RS     |
| 1   | BEI 6008-2RS     |
| 1   | BEI 6009-2RS     |
| 2   | BEI 6200-2RS     |
| 2   | BEI 6201-2RS     |
| 2   | BEI 6202-1/2-2RS |
| 2   | BEI 6206-16-2RS  |

| QTY | PART NO.         |
|-----|------------------|
| 2   | BEI 6202-2RS     |
| 2   | BEI 6202-5/8-2RS |
| 4   | BEI 6203-2RS     |
| 2   | BEI 6203-3/4-2RS |
| 2   | BEI 6203-5/8-2RS |
| 4   | BEI 6204-2RS     |
| 2   | BEI 6204-3/4-2RS |
| 2   | BEI 6205-1-2RS   |
| 2   | BEI 6205-2RS     |
| 2   | BEI 6206-2RS     |
| 1   | BEI 6207-2RS     |
| 1   | BEI 6208-2RS     |
| 1   | BEI 6209-2RS     |
| 1   | BEI 6210-2RS     |
| 1   | BEI 6302-2RS     |
| 2   | BEI 6303-2RS     |
| 2   | BEI 6304-2RS     |
| 2   | BEI 6305-2RS     |
| 1   | BEI 6306-2RS     |
| 1   | BEI 6307-2RS     |
| 1   | BEI 6308-2RS     |

**Taper Cones & Cups**

| QTY | PART NO.     |
|-----|--------------|
| 2   | BEI 25520    |
| 2   | BEI 25580    |
| 4   | BEI L44610   |
| 4   | BEI L44643   |
| 2   | BEI L44649   |
| 4   | BEI LM11910  |
| 4   | BEI LM11949  |
| 4   | BEI LM29710  |
| 4   | BEI LM29749  |
| 4   | BEI LM48510  |
| 4   | BEI LM48548  |
| 2   | BEI LM501310 |
| 2   | BEI LM603011 |
| 2   | BEI LM603049 |
| 4   | BEI LM67010  |
| 4   | BEI LM67048  |
| 2   | BEI L68110   |
| 2   | BEI L68149   |
| 2   | BEI LM102910 |
| 2   | BEI LM102949 |
| 2   | BEI LM104911 |
| 2   | BEI LM10494  |

**Sprayer Wheel Bearings**

| QTY | PART NO.     |
|-----|--------------|
| 4   | BEI ASF100-2 |
| 4   | BEI ASF107-3 |
| 4   | BEI ASF107-5 |
| 6   | BEI ASF107-6 |

**Swather Roller Bearings**

| QTY | PART NO.  |
|-----|-----------|
| 4   | BEI CS204 |

**Order Part #  
BEI 729**

For complete display  
including board & bearings

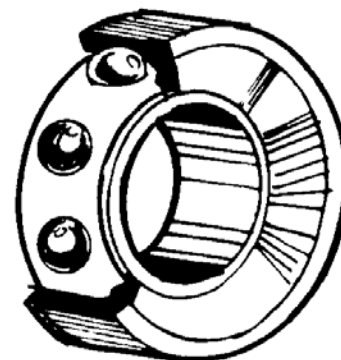
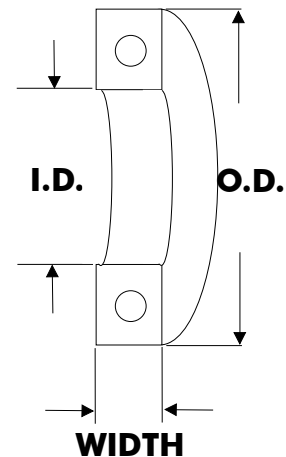


**If you are looking for a  
display board, ask your DM for a  
Westward display selection book.**



**INCH TYPE STANDARD GROUND BALL BEARINGS**

| PART NO.     | NICE NO. | SCHATZ NO. | I.D.    | O.D.    | WIDTH  |
|--------------|----------|------------|---------|---------|--------|
| BEI 1601-2RS | 1601DC   | BR9901     | 3/16"   | 1 1/16" | 5/16"  |
| BEI 1602-2RS | 1602DC   | BR9902     | 1/4"    | 1 1/16" | 5/16"  |
| BEI 1603-2RS | 1603DC   | BR9903     | 5/16"   | 7/8"    | 11/32" |
| BEI 1604-2RS | 1604DC   | BR9904     | 3/8"    | 7/8"    | 11/32" |
| BEI 1605-2RS | 1605DC   | BR9905     | 5/16"   | 29/32"  | 5/16"  |
| BEI 1606-2RS | 1606DC   | BR9906     | 3/8"    | 29/32"  | 5/16"  |
| BEI 1607-2RS | 1607DC   | BR9907     | 7/16"   | 29/32"  | 5/16"  |
| BEI 1614-2RS | 1614DC   | BR9914     | 3/8"    | 1 1/8"  | 3/8"   |
| BEI 1615-2RS | 1615DC   | BR9915     | 7/16"   | 1 1/8"  | 3/8"   |
| BEI 1616-2RS | 1616DC   | BR9916     | 1/2"    | 1 1/8"  | 3/8"   |
| BEI 1620-2RS | 1620DC   | BR9920     | 7/16"   | 1 3/8"  | 7/16"  |
| BEI 1621-2RS | 1621DC   | BR9921     | 1/2"    | 1 3/8"  | 7/16"  |
| BEI 1622-2RS | 1622DC   | BR9922     | 9/16"   | 1 3/8"  | 7/16"  |
| BEI 1623-2RS | 1623DC   | BR9923     | 5/8"    | 1 3/8"  | 7/16"  |
| BEI 1628-2RS | 1628DC   | BR9928     | 5/8"    | 1 5/8"  | 1/2"   |
| BEI 1630-2RS | 1630DC   | BR9930     | 3/4"    | 1 5/8"  | 1/2"   |
| BEI 1633-2RS | 1633DC   | BR9933     | 5/8"    | 1 3/4"  | 1/2"   |
| BEI 1635-2RS | 1635DC   | BR9935     | 3/4"    | 1 3/4"  | 1/2"   |
| BEI 1638-2RS | 1638DC   | BR9938     | 3/4"    | 2"      | 9/16"  |
| BEI 1640-2RS | 1640DC   | BR9940     | 7/8"    | 2"      | 9/16"  |
| BEI 1641-2RS | 1641DC   | BR9941     | 1"      | 2"      | 9/16"  |
| BEI 1652-2RS | 1652DC   | BR9952     | 1 1/8"  | 2 1/2"  | 5/8"   |
| BEI 1654-2RS | 1654DC   | BR9954     | 1 1/4"  | 2 1/2"  | 5/8"   |
| BEI 1657-2RS | 1657DC   | BR9957     | 1 1/4"  | 2 9/16" | 11/16" |
| BEI 1658-2RS | 1658DC   | BR9958     | 1 5/16" | 2 9/16" | 11/16" |



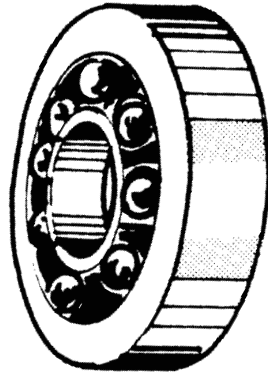
2RS = Seals on both sides

**INCH TYPE PRECISION BALL BEARINGS**

**Shielded**

| PART NO.  | I.D.   | O.D.   | WIDTH  |
|-----------|--------|--------|--------|
| BEI 77R2  | 1/8"   | 3/8"   | 5/32"  |
| BEI 77R3  | 3/16"  | 1/2"   | 0.1960 |
| BEI 77R4  | 1/4"   | 5/8"   | 0.1960 |
| BEI 77R4A | 1/4"   | 3/4"   | 9/32"  |
| BEI 77R6  | 3/8"   | 7/8"   | 9/32"  |
| BEI 77R8  | 1/2"   | 1 1/8" | 5/16"  |
| BEI 77R10 | 5/8"   | 1 3/8" | 11/32" |
| BEI 77R12 | 3/4"   | 1 5/8" | 7/16"  |
| BEI 77R14 | 7/8"   | 1 7/8" | 1/2"   |
| BEI 77R16 | 1"     | 2"     | 1/2"   |
| BEI 77R18 | 1 1/8" | 2 1/8" | 1/2"   |
| BEI 77R20 | 1 1/4" | 2 1/4" | 1/2"   |

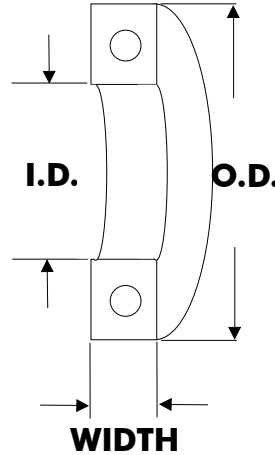
*NOTE: 77R4 is a shielded on both sides bearing*



**Sealed**

| PART NO.  | I.D.   | O.D.   | WIDTH  |
|-----------|--------|--------|--------|
| BEI 99R2  | 1/8"   | 3/8"   | 5/32"  |
| BEI 99R3  | 3/16"  | 1/2"   | 0.1960 |
| BEI 99R4  | 1/4"   | 5/8"   | 0.1960 |
| BEI 99R4A | 1/4"   | 3/4"   | 9/32"  |
| BEI 99R6  | 3/8"   | 7/8"   | 9/32"  |
| BEI 99R8  | 1/2"   | 1 1/8" | 5/16"  |
| BEI 99R10 | 5/8"   | 1 3/8" | 11/32" |
| BEI 99R12 | 3/4"   | 1 5/8" | 7/16"  |
| BEI 99R14 | 7/8"   | 1 7/8" | 1/2"   |
| BEI 99R16 | 1"     | 2"     | 1/2"   |
| BEI 99R18 | 1 1/8" | 2 1/8" | 1/2"   |
| BEI 99R20 | 1 1/4" | 2 1/4" | 1/2"   |

*NOTE: 99R4 is a sealed on both sides bearing.*

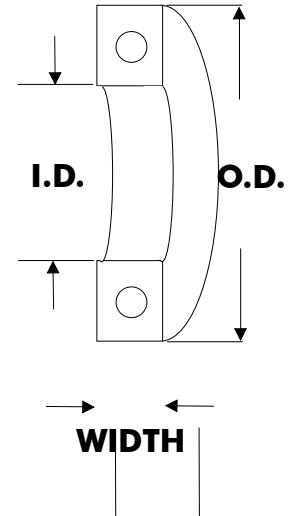


*\* Above items may also be available in BED*

**DEEP GROOVE BALL BEARINGS**

| PART NO.     | I.D. | O.D. | WIDTH |
|--------------|------|------|-------|
| BED 6800-2RS | 10mm | 19mm | 5mm   |
| BED 6801-2RS | 12mm | 21mm | 5mm   |
| BED 6802-2RS | 15mm | 24mm | 5mm   |
| BED 6803-2RS | 17mm | 26mm | 5mm   |
| BED 6804-2RS | 20mm | 32mm | 7mm   |
| BED 6805-2RS | 25mm | 37mm | 7mm   |
| BED 6806-2RS | 30mm | 42mm | 7mm   |
| BED 6807-2RS | 35mm | 47mm | 7mm   |
| BED 6808-2RS | 40mm | 52mm | 7mm   |
| BED 6809-2RS | 45mm | 58mm | 7mm   |
| BED 6810-2RS | 50mm | 65mm | 7mm   |
| BED 6811-2RS | 55mm | 65mm | 9mm   |
| BED 6812-2RS | 60mm | 78mm | 10mm  |
| BED 6813-2RS | 65mm | 85mm | 10mm  |
| BED 6814-2RS | 70mm | 90mm | 10mm  |
| BED 6815-2RS | 75mm | 95mm | 10mm  |

| PART NO.     | I.D. | O.D. | WIDTH |
|--------------|------|------|-------|
| BED 6900-2RS | 10mm | 22mm | 6mm   |
| BED 6901-2RS | 12mm | 24mm | 6mm   |
| BED 6902-2RS | 15mm | 28mm | 7mm   |
| BED 6903-2RS | 17mm | 30mm | 7mm   |
| BED 6904-2RS | 20mm | 27mm | 9mm   |
| BED 6905-2RS | 25mm | 42mm | 9mm   |
| BED 6906-2RS | 30mm | 47mm | 9mm   |
| BED 6907-2RS | 35mm | 55mm | 10mm  |
| BED 6908-2RS | 40mm | 62mm | 12mm  |
| BED 6909-2RS | 45mm | 68mm | 12mm  |
| BED 6910-2RS | 50mm | 72mm | 12mm  |

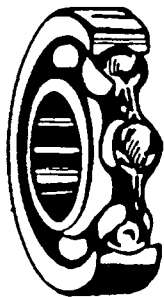


*\*Above are sealed bearings. For shielded bearings use suffix -ZZ. For open bearings use basic #.*



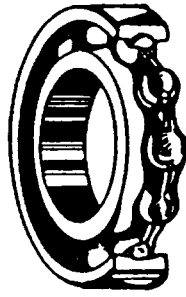


**WAP SHIELDED/SEALED PRECISION BALL BEARINGS**



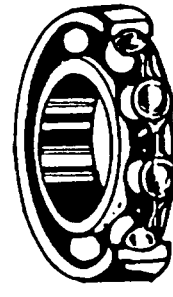
**600**

**Extra Small Series**



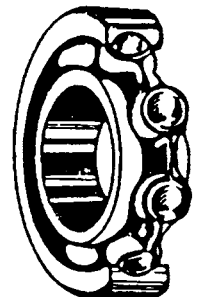
**6000**

**Extra Light Series**



**6200**

**Light Series**



**6300**

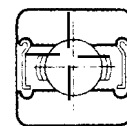
**Medium Series**

| PART NO.            | I.D. | O.D. | W. |
|---------------------|------|------|----|
| BEI 607-2RS         | 7    | 19   | 6  |
| BEI 608-2RS or (2Z) | 8    | 22   | 7  |
| BEI 609-2RS or (2Z) | 9    | 24   | 7  |
| BEI 625-2RS or (2Z) | 5    | 16   | 5  |
| BEI 627-2RS or (2Z) | 7    | 22   | 7  |
| BEI 626-2RS or (2Z) | 6    | 19   | 6  |
| BEI 629-2RS or (2Z) | 9    | 26   | 8  |
| BEI 634-2Z          | 4    | 16   | 5  |
| BEI 635-2Z          | 5    | 19   | 6  |

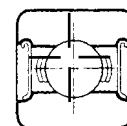
| PART NO.         | I.D. | O.D. | W. |
|------------------|------|------|----|
| BEI 6000-2RS     | 10   | 26   | 8  |
| BEI 6000-W10-2RS | 10   | 26   | 10 |
| BEI 6001-2RS     | 12   | 28   | 8  |
| BEI 6002-2RS     | 15   | 32   | 9  |
| BEI 6003-2RS     | 17   | 35   | 10 |
| BEI 6004-2RS     | 20   | 42   | 12 |
| BEI 6005-2RS     | 25   | 47   | 12 |
| BEI 6006-2RS     | 30   | 55   | 13 |
| BEI 6007-2RS     | 35   | 62   | 14 |
| BEI 6008-2RS     | 40   | 68   | 15 |
| BEI 6009-2RS     | 45   | 75   | 16 |
| BEI 6010-2RS     | 50   | 80   | 16 |
| BEI 6011-2RS     | 55   | 90   | 18 |
| BEI 6012-2RS     | 60   | 95   | 18 |
| BEI 6013-2RS     | 65   | 100  | 18 |
| BEI 6014-2RS     | 70   | 110  | 20 |
| BEI 6015-2RS     | 75   | 115  | 20 |

| PART NO.             | I.D.       | O.D. | W. |
|----------------------|------------|------|----|
| BEI 6200-2RS         | 10         | 30   | 9  |
| BEI 6201-2RS         | 12         | 32   | 10 |
| BEI 6201-1/2"-2RS    | 1/2"       | 32   | 10 |
| BEI 6202-2RS         | 15         | 35   | 11 |
| BEI 6202-1/2"-2RS    | 1/2"       | 35   | 11 |
| BEI 6202-16-2RS      | 16         | 35   | 11 |
| BEI 6202-5/8"-2RS    | 5/8"       | 35   | 11 |
| BEI 6203-2RS or (2Z) | 17         | 40   | 12 |
| BEI 6203-5/8"-2RS    | 5/8"       | 40   | 12 |
| BEI 6203-3/4"-2RS    | 3/4"       | 40   | 12 |
| BEI 6203-16-2RS      | 16         | 40   | 12 |
| BEI 6204-2RS         | 20         | 47   | 14 |
| BEI 6204-3/4"-2RS    | 3/4"       | 47   | 14 |
| BEI 6205-2RS         | 25         | 52   | 15 |
| BEI 6205-1"-2RS      | 1"         | 52   | 15 |
| BEI 6206-2RS         | 30         | 62   | 16 |
| BEI 6207-2RS         | 35         | 72   | 17 |
| BEI 6208-2RS         | 40         | 80   | 18 |
| BEI 6208K-2RS        | Taper Bore | 80   | 18 |
| BEI 6209-2RS         | 45         | 85   | 19 |
| BEI 6210-2RS         | 50         | 90   | 20 |
| BEI 6211-2RS         | 55         | 100  | 21 |
| BEI 6212-2RS         | 60         | 110  | 22 |
| BEI 6213-2RS         | 65         | 120  | 23 |
| BEI 6214-2RS         | 70         | 125  | 24 |
| BEI 6215-2RS         | 76         | 130  | 25 |

| PART NO.      | I.D. | O.D. | W. |
|---------------|------|------|----|
| BEI 6300-2RS  | 10   | 35   | 11 |
| BEI 6301-2RS  | 12   | 37   | 12 |
| BEI 6302-2RS  | 15   | 42   | 13 |
| BEI 6303-2RS  | 17   | 47   | 14 |
| BEI 6304-2RS  | 20   | 52   | 15 |
| BEI 6305-2RS  | 25   | 62   | 17 |
| BEI 63305-2RS | 25   | 62   | 1" |
| BEI 6306-2RS  | 30   | 72   | 19 |
| BEI 6307-2RS  | 35   | 80   | 21 |
| BEI 6308-2RS  | 40   | 90   | 23 |
| BEI 6309-2RS  | 45   | 100  | 25 |
| BEI 6310-2RS  | 50   | 110  | 27 |
| BEI 6311-2RS  | 55   | 120  | 29 |
| BEI 6312-2RS  | 60   | 130  | 31 |
| BEI 6313-2RS  | 65   | 140  | 33 |
| BEI 6314-2RS  | 70   | 150  | 35 |
| BEI 6315-2RS  | 75   | 160  | 37 |



**-2Z**



**-2RS**

**2RS- Sealed Both Sides**

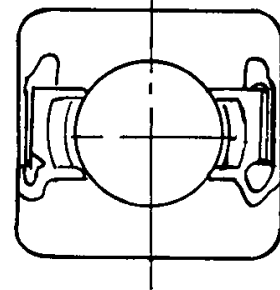
**2Z- Shielded Both Sides**

## ELECTRIC MOTOR BEARINGS

| PART NO.       | I.D. | O.D. | W. |
|----------------|------|------|----|
| BED 607-2RSC3  | 7    | 19   | 6  |
| BED 608-2RSC3  | 8    | 22   | 7  |
| BED 6000-2RSC3 | 10   | 25   | 8  |
| BED 6001-2RSC3 | 12   | 28   | 8  |
| BED 6002-2RSC3 | 15   | 32   | 9  |
| BED 6003-2RSC3 | 17   | 35   | 10 |
| BED 6004-2RSC3 | 20   | 42   | 12 |
| BED 6005-2RSC3 | 25   | 47   | 12 |
| BED 6006-2RSC3 | 30   | 55   | 13 |
| BED 6006-2RSC3 | 6    | 17   | 6  |
| BED 6007-2RSC3 | 35   | 62   | 14 |
| BED 6008-2RSC3 | 40   | 68   | 15 |
| BED 6009-2RSC3 | 45   | 75   | 16 |
| BED 6010-2RSC3 | 50   | 80   | 16 |
| BED 6011-2RSC3 | 55   | 90   | 18 |
| BED 6012-2RSC3 | 60   | 95   | 18 |

| PART NO.       | I.D. | O.D. | W. |
|----------------|------|------|----|
| BED 6300-2RSC3 | 10   | 35   | 11 |
| BED 6301-2RSC3 | 12   | 37   | 12 |
| BED 6302-2RSC3 | 15   | 42   | 13 |
| BED 6303-2RSC3 | 17   | 47   | 14 |
| BED 6304-2RSC3 | 20   | 52   | 15 |
| BED 6305-2RSC3 | 25   | 62   | 17 |
| BED 6306-2RSC3 | 30   | 72   | 19 |
| BED 6308-2RSC3 | 40   | 90   | 23 |
| BED 6309-2RSC3 | 45   | 100  | 25 |
| BED 6310-2RSC3 | 50   | 110  | 27 |
| BED 6311-2RSC3 | 60   | 130  | 31 |
| BED 6312-2RSC3 | 55   | 120  | 29 |
| BED 6313-2RSC3 | 65   | 140  | 33 |
| BED 6314-2RSC3 | 70   | 150  | 35 |
| BED 6315-2RSC3 | 75   | 160  | 37 |
| BED 6316-2RSC3 | 80   | 170  | 39 |
| BED 6317-2RSC3 | 85   | 180  | 41 |
| BED 6318-2RSC3 | 90   | 190  | 43 |

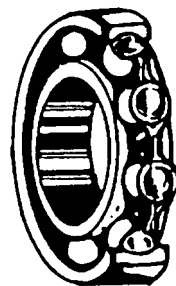
| PART NO.           | I.D. | O.D. | W. |
|--------------------|------|------|----|
| BED 626-2RSC3      | 6    | 19   | 6  |
| BED 627-2RSC3      | 7    | 19   | 6  |
| BED 6200-2RSC3     | 10   | 30   | 9  |
| BED 6201-2RSC3     | 12   | 32   | 10 |
| BED 6201-13-2RSC3  | 13   | 32   | 10 |
| BED 6201-1/2-2RSC3 | 1/2" | 32   | 10 |
| BED 6202-2RSC3     | 15   | 35   | 11 |
| BED 6202-5/8-2RSC3 | 5/8" | 35   | 11 |
| BED 6203-2RSC3     | 17   | 40   | 12 |
| BED 6203-3/4-2RSC3 | 3/4" | 47   | 14 |
| BED 6205-2RSC3     | 25   | 52   | 15 |
| BED 6205-1-2RSC3   | 1"   | 52   | 15 |
| BED 6206-2RSC3     | 30   | 62   | 16 |
| BED 6207-2RSC3     | 35   | 72   | 17 |
| BED 6208-2RSC3     | 40   | 80   | 18 |
| BED 6209-2RSC3     | 45   | 85   | 19 |
| BED 6210-2RSC3     | 50   | 90   | 20 |
| BED 6211-2RSC3     | 55   | 100  | 21 |
| BED 6212-2RSC3     | 60   | 110  | 22 |
| BED 6213-2RSC3     | 65   | 120  | 23 |
| BED 6214-2RSC3     | 70   | 125  | 24 |
| BED 6215-2RSC3     | 75   | 130  | 25 |
| BED 6216-2RSC3     | 80   | 140  | 26 |
| BED 6217-2RSC3     | 85   | 150  | 28 |
| BED 6218-2RSC3     | 90   | 160  | 30 |



## NON CONTACT SEAL DESIGN

- Narrower than ordinary non-contact type labyrinth with satisfactory seal effectiveness.
- Minimum torque and temperature rise.
- Little noise and vibration.

*\*Contact your nearest branch for additional sizes and configurations.*



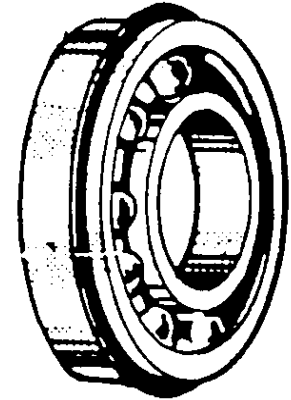
- Non Contact Seal
- Special Internal Clearance
- Meets All Electric Motor Grease Specifications

**NOTE: C3 CLEARANCE HAS EXTRA CLEARANCE BETWEEN BALLS & RACEWAYS FOR COOLER RUNNING TEMPERATURE**

**POPULAR BALL BEARINGS WITH SNAP RING AND SHIELD**

| PART NO.     | DIMENSIONS (mm) |      |    |
|--------------|-----------------|------|----|
|              | I.D.            | O.D. | W. |
| BED 6203-ZNR | 17              | 40   | 12 |
| BED 6204-ZNR | 20              | 47   | 14 |
| BED 6205-ZNR | 25              | 52   | 15 |
| BED 6206-ZNR | 30              | 62   | 16 |
| BED 6207-ZNR | 35              | 72   | 17 |
| BED 6208-ZNR | 40              | 80   | 18 |
| BED 6209-ZNR | 45              | 85   | 19 |
| BED 6210-ZNR | 50              | 90   | 20 |
| BED 6211-ZNR | 55              | 100  | 21 |
| BED 6212-ZNR | 60              | 110  | 22 |

| PART NO.     | DIMENSIONS (mm) |      |    |
|--------------|-----------------|------|----|
|              | I.D.            | O.D. | W. |
| BED 6303-ZNR | 17              | 47   | 14 |
| BED 6304-ZNR | 20              | 52   | 15 |
| BED 6305-ZNR | 25              | 62   | 17 |
| BED 6306-ZNR | 30              | 72   | 19 |
| BED 6307-ZNR | 35              | 80   | 19 |
| BED 6308-ZNR | 40              | 90   | 19 |
| BED 6309-ZNR | 45              | 100  | 19 |
| BED 6310-ZNR | 50              | 110  | 19 |
| BED 6311-ZNR | 55              | 120  | 19 |
| BED 6312-ZNR | 60              | 130  | 31 |



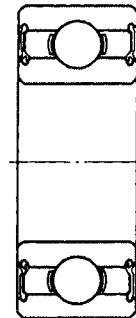
**Notes:**

- All bearings come complete with snap ring and shield
- Snap ring is on opposite side of shield
- Sizes not shown may also be available

**DEEP GROOVE BALL BEARINGS • CARTRIDGE TYPE - EXTRA WIDE**

| PART NO.      | DIMENSIONS (mm) |      |      |
|---------------|-----------------|------|------|
|               | I.D.            | O.D. | W.   |
| BED 63202-2RS | 15              | 35   | 15.9 |
| BED 63203-2RS | 17              | 40   | 17.5 |
| BED63204-2RS  | 20              | 47   | 20.6 |
| BED 63205-2RS | 25              | 52   | 20.6 |
| BED 63206-2RS | 30              | 62   | 23.8 |
| BED 63207-2RS | 35              | 72   | 27   |
| BED 63208-2RS | 40              | 80   | 30.2 |
| BED 63209-2RS | 45              | 85   | 30.2 |
| BED 63210-2RS | 50              | 90   | 30.2 |
| BED 63211-2RS | 55              | 100  | 33.3 |
| BED 63212-2RS | 60              | 110  | 36.5 |

| PART NO.      | DIMENSIONS (mm) |      |      |
|---------------|-----------------|------|------|
|               | I.D.            | O.D. | W.   |
| -             | -               | -    | -    |
| -             | -               | -    | -    |
| BED 63304-2RS | 20              | 52   | 22.2 |
| BED 63305-2RS | 25              | 62   | 25.4 |
| BED 63306-2RS | 30              | 72   | 30.2 |
| BED 63307-2RS | 35              | 80   | 34.9 |
| BED 63308-2RS | 40              | 90   | 36.5 |
| BED 63309-2RS | 45              | 100  | 39.7 |
| BED 63310-2RS | 50              | 110  | 44.4 |
| BED 63311-2RS | 55              | 120  | 49.2 |
| BED 63312-2RS | 60              | 130  | 54   |
| BED 63313-2RS | 65              | 140  | 58.7 |
| BED 63314-2RS | 70              | 150  | 63.5 |
| BED 63315-2RS | 75              | 160  | 68.3 |



BEI 63305-2RS = 4254661 Allis  
W305DD BCA  
AP22655 JD  
460685C91 IHC  
460687C91 IHC

Above are sealed bearings  
-2RS designates sealed both sides

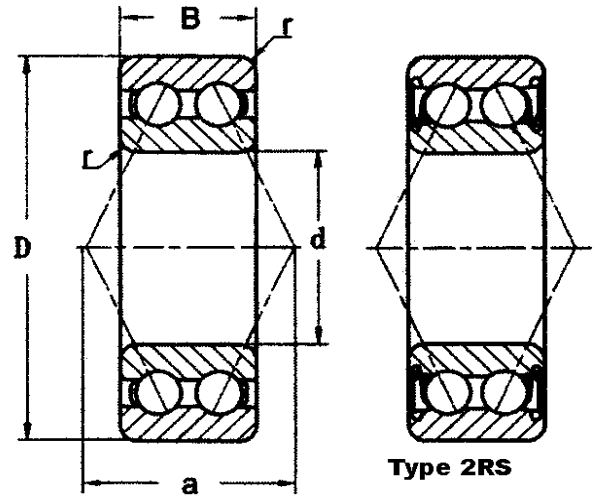
**Check our Section 8 for a full selection of PTO parts in both inch & metric sizes**

## SPECIAL BALL BEARINGS

| PART NO.      | DIAMETER (INCHES) |         |         | SPECIAL FEATURES                      | APPLICATIONS              |
|---------------|-------------------|---------|---------|---------------------------------------|---------------------------|
|               | I.D.              | O.D.    | WIDTH   |                                       |                           |
| BED 202FFH8   | 1/2"              | 1 1/2"  | 11mm    | Heavy outer ring                      | Deere, Lilis, Gehl        |
| BED 205RRB    | 1/2"              | 52mm    | 1 3/8"  | Special bore & width                  | -                         |
| BED 203-RRAR8 | .5105"            | 40mm    | .7200"  | Special bore                          | A.C., Case, Deere, I.H.   |
| BED 88502A    | 14mm              | 35mm    | .5669"  | Special bore                          | A.C., Deere, I.H.         |
| BED 202RRE    | 15mm              | 35mm    | 7/8"    | Special wide                          | Harrington Mfg.           |
| BED 202FFB    | 5/8"              | 1 3/8"  | 11mm    | Special bore & O.D.                   | Deere                     |
| BED 202FFLB   | 5/8"              | 1 3/8"  | 11mm    | Special bore, O.D. & snap ring        | Arien                     |
| BED 8980DD    | 5/8"              | 40mm    | .4724"  | Special bore                          | I.H.                      |
| BED 8984YY    | 5/8"              | 2"      | .5960"  | Spherical O.D., Heavy duty outer ring | Deere, I.H.               |
| BED 204BBE    | 5/8"              | 1.7805  | .6100"  | Special bore                          | -                         |
| BED 204FGB    | 5/8"              | 47mm    | .5110"  | Special bore - 5/8"                   | -                         |
| BED 205RRAN10 | 5/8"              | 52mm    | .8280"  | Special bore - 5/8"                   | -                         |
| BED 88016     | 16mm              | 35mm    | .5669"  | Special bore, O.D. & width            | A.C., Deere, I.H., Massey |
| BED 204FRK    | 5/8"              | 47mm    | 17.5mm  | Special bore & width                  | White                     |
| BED 204FREN   | 5/8"              | 1.7805  | .7350"  | Special bore, O.D. & width            | Burch, Deere, I.H., Lilis |
| BED 250TTP    | 16mm              | 52mm    | 1 1/2"  | Extended inner bore                   | -                         |
| BED 203RRAR10 | .6400"            | 40mm    | .7200"  | Special bore                          | A.C., Case, Deere, I.H.   |
| BED 203RRH10  | .6400"            | 49mm    | .7200"  | Special bore, heavy outer ring        | -                         |
| BED 203RR12   | 3/4"              | 40mm    | 1/2"    | Special bore, O.D. & width            | Massey                    |
| BED 203FFA    | 3/4"              | 1 3/4"  | 1/2"    | Special bore                          | Riding Mowers             |
| BED 205RRAN   | 3/4"              | 52mm    | .8280"  | Wide inner ring, special width        | Deere                     |
| BEI Z9504B    | 3/4"              | 1.7805" | .6100"  | Special bore, double seal & shield    | Lilis, Massey             |
| BED 204BAR    | 3/4"              | 1.7805" | .6100"  | 1 seal                                | -                         |
| BED 205RHN    | 3/4"              | 52mm    | .7000"  | Special bore - 3/4"                   | Case, Deere, I.H.         |
| BED 205RVA    | 3/4"              | 52mm    | .8280"  | Special bore & width                  | Deere                     |
| BED 204GGB    | 3/4"              | 47mm    | 1.3440" | Special self aligning bearing         | Lilis                     |
| BED 205TTB    | 3/4"              | 52mm    | 1.3750" | Wide inner ring                       | Lilis                     |
| BED 206GGH    | 3/4"              | 62mm    | 24mm    | Special bore                          | New Holland               |
| BED 205TTH    | 15/16"            | 52mm    | 1.3750" | Extended inner ring & 15/16" bore     | Lilis                     |
| BED 206KRR6   | 1"                | 62mm    | 16mm    | Hex bore, flat O.R.                   | -                         |
| BED 206KRRB6  | 1"                | 62mm    | 16mm    | Hex bore, round O.R.                  | -                         |
| BEI 5205-2Z   | 25mm              | 52mm    | 20mm    | 2 row ball, shielded                  | -                         |
| BED HPC100EP  | 1.1250"           | 62mm    | 24mm    | Special bore, spherical O.D.          | A.C., Case, Deere, I.H.   |
| BED 206GGCE   | 1.1258"           | 68mm    | 24mm    | Two piece outer ring, spherical O.D.  | White                     |
| BED 307L-1    | 35mm              | 80mm    | 21mm    | Special snap ring                     | Massey                    |
| BED 108SSA    | 1 7/16"           | 68mm    | 15mm    | Special bore                          | Ford                      |
| BED 108FFL    | 40mm              | 68mm    | 15mm    | Special snap ring & 2 seals           | Deere                     |
| BEI UCX10-31  | 1 15/16"          | 100mm   | 55.6mm  | Wheel bearing swather                 | Versatile, V7185          |

**ANGULAR CONTACT BALL BEARINGS**

**Double Row 5200, 5300 Series**



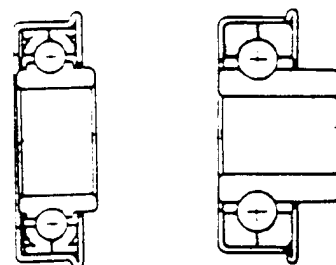
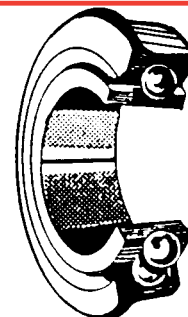
**Type 2RS**  
**with two seals**  
**(non-contact)**

| BOUNDARY DIMENSIONS (mm) |     |      |     | BASIC LOAD RATINGS N |            | LIMITING SPEEDS RPM |        | MASS (kg)<br>OPEN TYPE | BEARING NUMBER |
|--------------------------|-----|------|-----|----------------------|------------|---------------------|--------|------------------------|----------------|
| d                        | D   | B    | r   | Dynamic Cr           | Static Cor | Grease              | Oil    |                        |                |
| 10                       | 30  | 14.3 | 0.6 | 6,950                | 3,800      | 14,000              | 19,000 | 0.049                  | BED 5200-2RS   |
| 12                       | 32  | 15.9 | 0.6 | 7,600                | 4,500      | 13,000              | 17,000 | 0.057                  | BED 5201-2RS   |
| 15                       | 35  | 15.9 | 0.6 | 8,200                | 5,250      | 11,000              | 15,000 | 0.064                  | BED 5202-2RS   |
|                          | 42  | 19   | 1   | 14,200               | 8,850      | 9,900               | 13,000 | 0.132                  | BED 5302-2RS   |
| 17                       | 40  | 17.5 | 0.6 | 10,800               | 7,100      | 9,900               | 13,000 | 0.096                  | BED 5203-2RS   |
|                          | 47  | 22.2 | 1   | 19,000               | 11,900     | 9,000               | 12,000 | 0.181                  | BED 5303-2RS   |
| 20                       | 47  | 20.6 | 1   | 15,800               | 10,100     | 8,800               | 12,000 | 0.153                  | BED 5204-2RS   |
|                          | 52  | 22.2 | 1.1 | 19,100               | 12,400     | 8,000               | 11,000 | 0.217                  | BED 5304-2RS   |
| 25                       | 52  | 20.6 | 1   | 18,200               | 13,200     | 7,300               | 9,800  | 0.175                  | BED 5205-2RS   |
|                          | 62  | 25.4 | 1.1 | 26,500               | 17,900     | 6,700               | 8,900  | 0.362                  | BED 5305-2RS   |
| 30                       | 62  | 23.8 | 1   | 26,100               | 19,700     | 6,300               | 8,400  | 0.286                  | BED 5206-2RS   |
|                          | 72  | 30.2 | 1.1 | 33,000               | 24,300     | 5,700               | 7,600  | 0.553                  | BED 5306-2RS   |
| 35                       | 72  | 27   | 1.1 | 33,000               | 24,500     | 5,500               | 7,400  | 0.436                  | BED 5207-2RS   |
|                          | 80  | 34.9 | 1.5 | 49,500               | 35,000     | 5,000               | 6,600  | 0.766                  | BED 5307-2RS   |
| 40                       | 80  | 30.2 | 1.1 | 40,500               | 32,000     | 4,900               | 6,600  | 0.59                   | BED 5208-2RS   |
|                          | 90  | 36.5 | 1.5 | 55,000               | 40,000     | 4,400               | 5,900  | 1.10                   | BED 5308-2RS   |
| 45                       | 85  | 30.2 | 1.1 | 40,000               | 32,500     | 4,400               | 5,900  | 0.64                   | BED 5209-2RS   |
|                          | 100 | 39.7 | 1.5 | 66,500               | 49,500     | 4,000               | 5,300  | 1.34                   | BED 5309-2RS   |
| 50                       | 90  | 30.2 | 1.1 | 39,000               | 35,000     | 4,000               | 5,300  | 0.689                  | BED 5210-2RS   |
|                          | 110 | 44.4 | 2   | 79,000               | 60,500     | 3,600               | 4,800  | 1.81                   | BED 5310-2RS   |
| 55                       | 120 | 49.2 | 2   | 92,000               | 72,000     | 3,300               | 4,400  | 2.32                   | BED 5311-2RS   |

## FLANGE BEARINGS

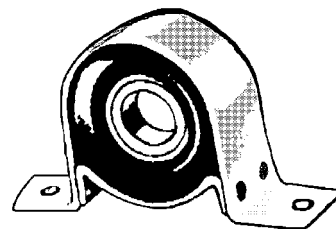
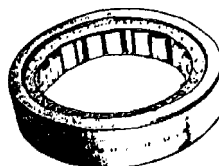
For Implement Wheels, Grain Augers and Gravity Conveyors

| PART NO.      | OLD NO.                         | BORE SIZE | O.D. W/O FLANGE | O.D. WITH FLANGE |
|---------------|---------------------------------|-----------|-----------------|------------------|
| BEI ASF132-1  | 5368, AF2436, B1125-8, 32004-01 | 3/8"      | 1 1/8"          | 1 1/4"           |
| BED AF2444    | 5844, 32418-01                  | 3/8"      | 1 3/8"          | 1 17/32"         |
| BEI ASF132-1B | 5491, AF3236, B1125-9, 32018-01 | 1/2"      | 1 1/8"          | 1 1/4"           |
| BEI ASF107-3  | 32420-01                        | 1/2"      | 1 3/8"          | 1 1/2"           |
| BED AF3244    | 5881, B1375-3, 32420-01         | 1/2"      | 1 3/8"          | 1 17/32"         |
| BEI ASF107-5  | 32421-01                        | 5/8"      | 1 3/8"          | 1 1/2"           |
| BED AF4044    | 5273, B1375-4, 32421-01         | 5/8"      | 1 3/8"          | 1 17/32"         |
| BED AF4048    | 5659, B1500-3, 32704-01         | 5/8"      | 1 1/2"          | 1 9/16"          |
| BED AF4850    | 32708-01                        | 3/4"      | 1 9/16"         | 1 23/32"         |
| BEI ASF107-6  | RF1222-14, 32432-01             | 3/4"      | 1 3/8"          | 1 1/2"           |
| BEI AF4856    | 5891, B1750-2, 33103-01         | 3/4"      | 1 3/4"          | 1 29/32"         |
| BEI AFH2856   | -                               | 7/16" hex | 1 3/4"          | 1 29/32"         |
| BEI ASF100-2  | 33409-01                        | 1"        | 2"              | 2 1/8"           |
| BEI ASF152-2  | -                               | 1 1/4"    | 2 1/2"          | 2 5/8"           |
| BEI ASF152-1  | -                               | 1 5/16"   | 1 5/16"         | 2 5/16"          |

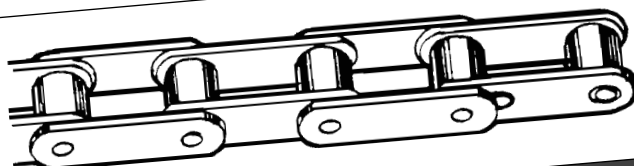


## POPULAR AUTOMOTIVE BEARINGS

| PART NO.       | APPLICATION                             |
|----------------|---|
| BEI 88128R     | Ford Cars                               |
| BEI 907257     | Automotive air conditioning             |
| BEI HB-88107   | Hanger bearing kit                      |
| BEI R-1559-TV  | Rear wheel bearing - GM, Ford, Chrysler |
| BEI R-1563-TAV | Rear wheel bearing - GM, Ford, Chrysler |
| BEI 88107      | Bearing only for HB-88107               |
| BEI 99502H     | Popular alternator bearing              |



See Section 5 for popular sizes of Conveying Chain



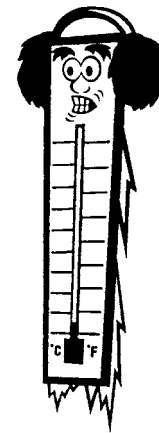
**POPULAR SNOWMOBILE/ATV BEARINGS**

- Riveted steel cage
- Special low temp grease (-54°C)
- Double lip, steel reinforced blue shields
- Individually packaged for maximum shelf life



| PART NO.          | I.D.  | O.D.  | OUTER RING WIDTH |
|-------------------|-------|-------|------------------|
| BED 6004-2RKL     | 20 mm | 42 mm | 12 mm            |
| BED 6202-2RKL     | 15 mm | 35 mm | 11 mm            |
| BED 6202-5/8-2RKL | 5/8"  | 35 mm | 11 mm            |
| BED 6204-2RKL     | 20 mm | 47 mm | 14 mm            |
| BED 6205-2RKL     | 25 mm | 52 mm | 15 mm            |
| BED 6205-1-2RKL   | 1"    | 52 mm | 15 mm            |
| BED SA205-14*     | 7/8"  | 52 mm | 15 mm            |
| BED SA205-16LT    | 1"    | 52 mm | 15 mm            |
| BED SB205-14*     | 7/8"  | 52 mm | 15 mm            |
| BED SB205-16LT    | 1"    | 52 mm | 15 mm            |

\* are not low temp grease



| PART NO.            | DESCRIPTION   | I.D. | O.D. | WIDTH |
|---------------------|---------------|------|------|-------|
| BED 30203-ATV       | Taper Bearing | 17   | 40   | 13    |
| BED 60/22-2RSATV    | Ball Bearing  | 22   | 44   | 12    |
| BED 60/28-2RSATV    | Ball Bearing  | 28   | 52   | 12    |
| BED 6004-2RKL       | Ball Bearing  | 20   | 42   | 12    |
| BED 6004-2RSATV     | Ball Bearing  | 20   | 42   | 12    |
| BED 6005-2RSATV     | Ball Bearing  | 25   | 47   | 12    |
| BED 6006-2RSATV     | Ball Bearing  | 30   | 55   | 13    |
| BED 6007-2RSATV     | Ball Bearing  | 35   | 62   | 14    |
| BED 62/22-2RSATV    | Ball Bearing  | 22   | 50   | 14    |
| BED 62/28-2RSATV    | Ball Bearing  | 28   | 58   | 16    |
| BED 6201-1/2-2RSATV | Ball Bearing  | 1/2  | 32   | 10    |
| BED 6202-5/8-2RKL   | Ball Bearing  | 5/8  | 35   | 11    |
| BED 6203-2RSATV     | Ball Bearing  | 17   | 40   | 12    |
| BED 6204-2RSATV     | Ball Bearing  | 20   | 47   | 14    |
| BED 6205-2RKL       | Ball Bearing  | 25   | 52   | 15    |
| BED 6207-2RSATV     | Ball Bearing  | 35   | 72   | 17    |

| PART NO.        | DESCRIPTION    | I.D.   | O.D. | WIDTH |
|-----------------|----------------|--------|------|-------|
| BED 6302-2RSATV | Ball Bearing   | 15     | 42   | 13    |
| BED 6303-2RSATV | Ball Bearing   | 17     | 47   | 14    |
| BED 6904-2RSATV | Ball Bearing   | 20     | 37   | 9     |
| BED 6905-2RSATV | Ball Bearing   | 25     | 42   | 9     |
| BED CS205-1-2RS | Ball Bearing   | 1*     | 52   | 15    |
| BED DAC3055CRK  | Ball Bearing   | 30     | 55   | 26    |
| BED DEC678CS12  | Ball Bearing   | 30     | 50   | 20    |
| BED DEO681CS18  | Ball Bearing   | 30     | 54   | 24    |
| BED DG4070A     | Ball Bearing   | 40     | 70   | 15    |
| BED SA205-16LT  | Lo Temp Insert | 1*     | 52   | 15    |
| BED SB205-16LT  | Lo Temp Insert | 1*     | 52   | 15    |
| BED K1000       | Trailer Kit    | 1*     |      |       |
| BED K1063       | Trailer Kit    | 1 1/16 |      |       |

## SKATE BEARINGS

Scooter Bearings  
In Line Skate Bearings  
Skate Board Bearings



**BED SKATE3** - Standard speed ABEC2 tolerance, with durable shields and grease lubrication.

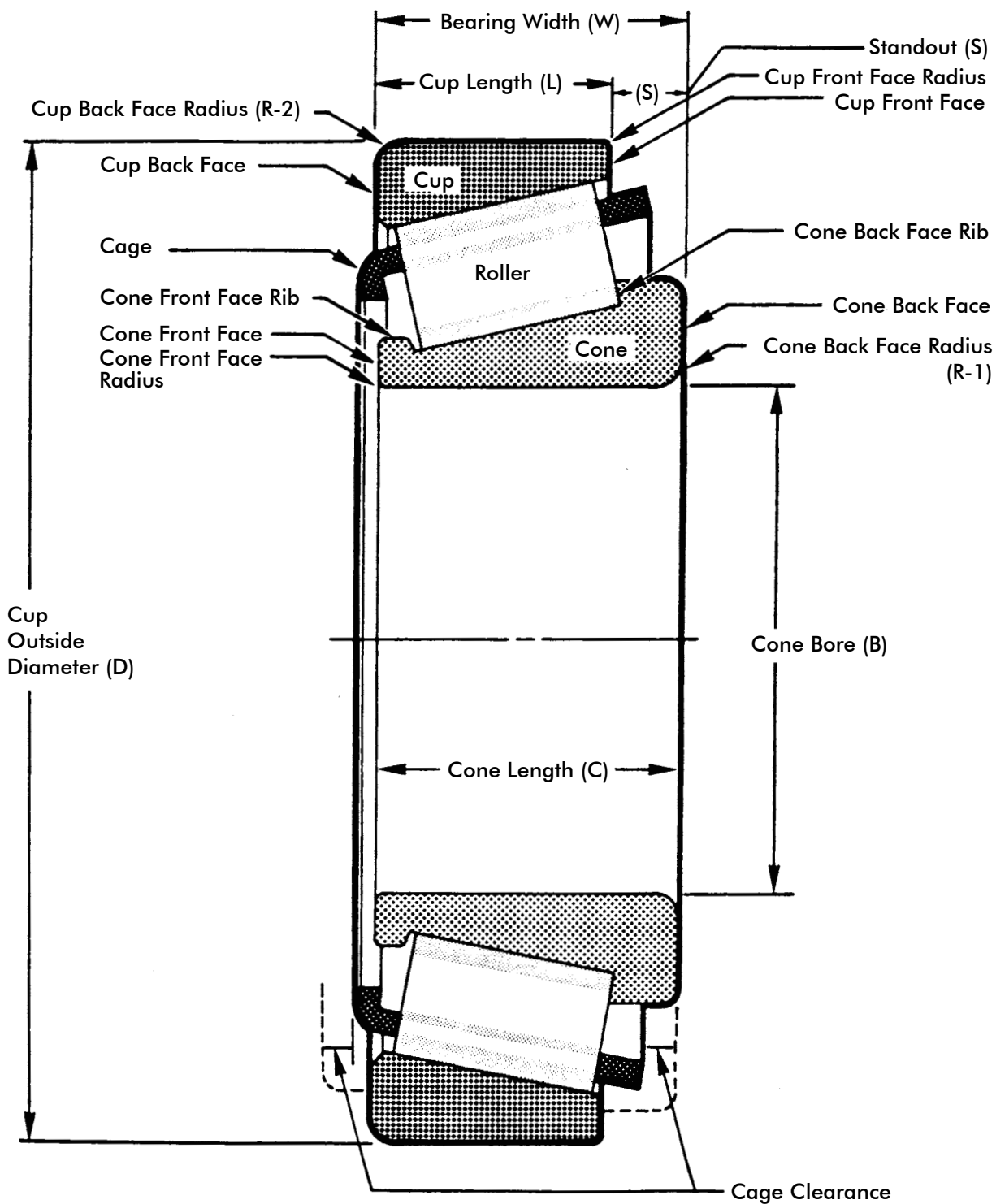
**BED SKATE5** - High performance, high speed yet durable, these bearings feature grease lubrication.

**BED SKATE7** - High speed, high running accuracy bearings, faster than ABEC5 and still have the convenience of grease lubrication.

| PART NO.   | QTY.      | DESCRIPTION      |
|------------|-----------|------------------|
| BED SKATE3 | Pkg of 16 | Standard Speed   |
| BED SKATE5 | Pkg of 16 | High Speed       |
| BED SKATE7 | Pkg of 16 | Super High Speed |



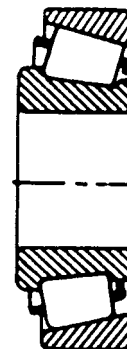
**TAPER BEARING NOMENCLATURE**



**AUTOMOTIVE WHEEL BEARING SETS**

**Interchange Data - Taper Assemblies & Components**

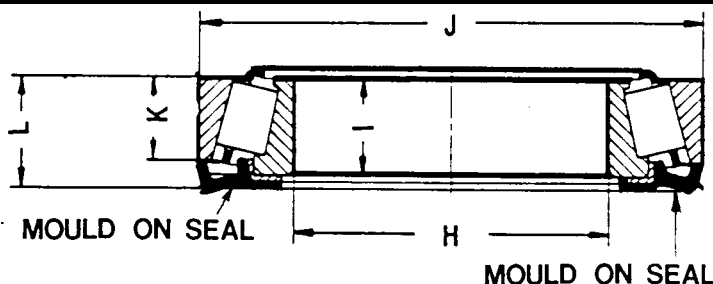
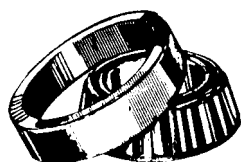
| TQP NO. | A.C. NO. | BOWER NO. | TIMKEN NO. | COMPONENTS          |
|---------|----------|-----------|------------|---------------------|
| BEI A1  | S3       | A1        | SET 1      | LM11749 - LM11710   |
| BEI A2  | S5       | A2        | SET 2      | LM11949 - LM11910   |
| BEI A3  | S7       | A3        | SET 3      | M12649 - M12610     |
| BEI A4  | S4       | A4        | SET 4      | L44649 - L44610     |
| BEI A5  | S8       | A5        | SET 5      | LM48548 - LM48510   |
| BEI A6  | S6       | A6        | SET 6      | LM67048 - LM67010   |
| BEI A7  | S400     | A7        | SET 7      | M201047S - M201011  |
| BEI A15 | S601     | A15       | SET 8      | L45449 - L45410     |
| BEI A9  | S505     | A9        | SET 9      | U298 - U261L        |
| BEI A10 | S510     | A10       | SET 10     | U399 - U360L        |
| BEI A18 | -        | A18       | SET 11     | JL69349 - JL69310   |
| BEI A12 | S301     | A12       | SET 12     | LM12749 - LM12710   |
| BEI A13 | S376     | A13       | SET 13     | L68149 - L68110     |
| BEI A14 | S360     | A14       | SET 14     | L44643 - L44610     |
| BEI A16 | S299     | A16       | SET 16     | LM12749 - LM12711   |
| BEI A17 | S377     | A17       | SET 17     | L68149 - L68111     |
| BEI A20 | S600     | A20       | SET 20     | NOT SOLD SEPERATELY |



**TYPE TS (STANDARD)**  
 Straight bore type bearing:  
 Supports approximately equal  
 radial and thrust loads.

\*See spec sheet for dimensions (next page)

**TAPERED SEALED CONES**



| OUR PART #    | TIMKEN PART # | H      | I      | CUP     | J      | K      | L      |
|---------------|---------------|--------|--------|---------|--------|--------|--------|
| BED 07000LA   | 07000LA       | 1.0000 | 0.5614 | 07196   | 1.9687 | 0.3750 | 0.5938 |
| BED LM11900LA | LM11900LA     | 0.7500 | 0.6550 | LM11910 | 1.7810 | 0.4750 | 0.6719 |
| BED M12600LA  | M12600LA      | 0.8437 | 0.7200 | M12610  | 1.9687 | 0.5500 | 0.5750 |
| BED 13600LA   | 13600LA       | 1.5000 | 0.7500 | 13621   | 2.7170 | 0.5938 | 0.8281 |
| BED LM29700LA | LM29700LA     | 1.5000 | 0.7200 | LM29710 | 2.5625 | 0.5500 | 0.7810 |
| BED L44600LA  | L44600LA      | 1.0000 | 0.5800 | L44610  | 1.9800 | 0.4200 | 0.6250 |
| BED LM48500LA | LM48500LA     | 1.3750 | 0.7200 | LM48510 | 2.5625 | 0.5500 | 0.7813 |
| BED LM67000LA | LM67000LA     | 1.2500 | 0.6600 | LM67010 | 2.3280 | 0.4650 | 0.7030 |

Note:

- Tapered sealed cones use tapered standard cups, are individually boxed in factory original boxes.

**INCH SERIES TAPER ROLLER BEARINGS**

**Standard Nomenclature for Tapered Roller Bearings**

NOTE: The following is a listing of most popular cups that fit the most popular cones. This chart is for quick reference only and does not mean that these cups or cones will fit or work in your application. When supplying new cups and cones to your customers, and the old used bearings are not available with part numbers, always refer to manufacturers specifications manual or application catalogue prior to installation. For reference purposes, each cup will fit each cone within the series shown.

| Cone Part # | CONE DIMENSIONS |   |   | Cup Part # | CUP DIMENSIONS |   |   |   |
|-------------|-----------------|---|---|------------|----------------|---|---|---|
|             | A               | B | C |            | D              | E | F | G |

**SERIES 3700**

|          |      |       |      |          |        |       |      |        |
|----------|------|-------|------|----------|--------|-------|------|--------|
| BEI 3780 | 2.00 | 1.193 | .140 | BEI 3720 | 3.6718 | .9375 | .125 | 1.1875 |
|----------|------|-------|------|----------|--------|-------|------|--------|

**SERIES 3900**

|          |       |       |      |          |        |       |      |        |
|----------|-------|-------|------|----------|--------|-------|------|--------|
| BEI 3984 | 2.625 | 1.183 | .140 | BEI 3920 | 4.4375 | .9375 | .125 | 1.1875 |
|----------|-------|-------|------|----------|--------|-------|------|--------|

**SERIES 07000**

|           |       |       |      |           |        |      |     |       |
|-----------|-------|-------|------|-----------|--------|------|-----|-------|
| BEI 07100 | 1.000 | .5614 | .040 | BEI 07196 | 1.9687 | .375 | .04 | .5313 |
|-----------|-------|-------|------|-----------|--------|------|-----|-------|

**SERIES 11700**

|             |       |      |      |             |       |     |      |       |
|-------------|-------|------|------|-------------|-------|-----|------|-------|
| BEI LM11749 | .6875 | .575 | .046 | BEI LM11710 | 1.570 | .42 | .046 | .5450 |
|-------------|-------|------|------|-------------|-------|-----|------|-------|

**SERIES 11900**

|             |      |      |      |             |       |      |      |      |
|-------------|------|------|------|-------------|-------|------|------|------|
| BEI LM11949 | .750 | .655 | .046 | BEI LM11910 | 1.781 | .475 | .050 | .610 |
|-------------|------|------|------|-------------|-------|------|------|------|

**SERIES 12600**

|            |       |     |      |            |        |      |      |      |
|------------|-------|-----|------|------------|--------|------|------|------|
| BEI M12649 | .8437 | .72 | .046 | BEI M12610 | 1.9687 | .550 | 0.46 | .690 |
|------------|-------|-----|------|------------|--------|------|------|------|

**SERIES 12700**

|             |       |      |      |             |       |      |      |      |
|-------------|-------|------|------|-------------|-------|------|------|------|
| BEI LM12749 | .8661 | .655 | .050 | BEI LM12710 | 1.781 | .475 | .050 | .610 |
|             |       |      |      | BEI LM12711 | 1.810 | .475 | .050 | .610 |

**SERIES 15000**

|           |       |      |      |           |       |       |      |      |
|-----------|-------|------|------|-----------|-------|-------|------|------|
| BEI 15123 | 1.250 | .750 | SPEC | BEI 15245 | 2.441 | .5625 | .046 | .750 |
|-----------|-------|------|------|-----------|-------|-------|------|------|

**SERIES 25500**

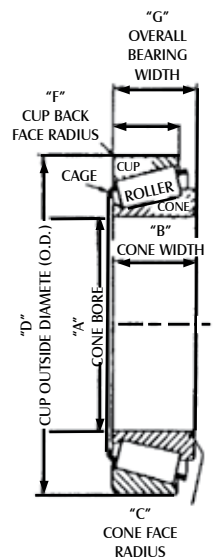
|           |       |       |      |           |       |      |      |        |
|-----------|-------|-------|------|-----------|-------|------|------|--------|
| BEI 25580 | 1.750 | 1.000 | .140 | BEI 25520 | 3.265 | .750 | .031 | .9375  |
| BEI 25590 | 1.796 | 1.000 | .140 | BEI 25523 | 3.265 | .875 | .093 | 1.0625 |

**SERIES LM29700**

|             |       |      |      |             |        |      |      |      |
|-------------|-------|------|------|-------------|--------|------|------|------|
| BEI LM29748 | 1.500 | .720 | SPEC | BEI LM29710 | 2.5625 | .550 | .046 | .710 |
| BEI LM29749 | 1.500 | .720 | .093 | BEI LM29711 | 2.5625 | .625 | .050 | .780 |

**SERIES L44600**

|            |        |      |      |            |       |      |      |      |
|------------|--------|------|------|------------|-------|------|------|------|
| BEI L44643 | 1.000  | .580 | .046 | BEI L44610 | 1.980 | .420 | .046 | .560 |
| BEI L44649 | 1.0625 | .580 | .140 |            |       |      |      |      |



## INCH SERIES TAPER ROLLER BEARINGS

| Cone<br>Part # | CONE DIMENSIONS |   |   | Cup<br>Part # | CUP DIMENSIONS |   |   |   |
|----------------|-----------------|---|---|---------------|----------------|---|---|---|
|                | A               | B | C |               | D              | E | F | G |



## SERIES LM4850

|             |       |      |      |             |        |      |      |      |
|-------------|-------|------|------|-------------|--------|------|------|------|
| BEI LM48548 | 1.375 | .720 | SPEC | BEI LM48510 | 2.5625 | .550 | .046 | .710 |
|-------------|-------|------|------|-------------|--------|------|------|------|

## SERIES LM67000

|             |       |      |      |             |       |      |      |      |
|-------------|-------|------|------|-------------|-------|------|------|------|
| BEI LM67048 | 1.250 | .660 | SPEC | BEI LM67010 | 2.328 | .465 | .046 | .625 |
|-------------|-------|------|------|-------------|-------|------|------|------|

## SERIES L68100

|            |        |      |      |            |        |      |      |      |
|------------|--------|------|------|------------|--------|------|------|------|
| BEI L68149 | 1.3772 | .660 | .203 | BEI L68110 | 2.328  | .470 | .050 | .625 |
|            |        |      |      | BEI L68111 | 2.3622 | .470 | .050 | .625 |

## SERIES JL69300

|             |        |       |      |             |        |       |      |       |
|-------------|--------|-------|------|-------------|--------|-------|------|-------|
| BEI JL69349 | 1.4961 | .6693 | SPEC | BEI JL69310 | 2.4803 | .5315 | .050 | .6693 |
|-------------|--------|-------|------|-------------|--------|-------|------|-------|

## SERIES 86600

|            |        |       |      |            |        |       |      |       |
|------------|--------|-------|------|------------|--------|-------|------|-------|
| BEI M86649 | 1.1875 | .8438 | .062 | BEI M86610 | 2.5312 | .6563 | .062 | .8438 |
|------------|--------|-------|------|------------|--------|-------|------|-------|

## SERIES HM88600

|             |       |       |      |             |        |       |      |      |
|-------------|-------|-------|------|-------------|--------|-------|------|------|
| BEI HM88649 | 1.375 | 1.000 | .093 | BEI HM88610 | 2.8438 | .7812 | .093 | 1.00 |
|-------------|-------|-------|------|-------------|--------|-------|------|------|

## SERIES LM102900

|              |        |       |      |              |       |      |      |      |
|--------------|--------|-------|------|--------------|-------|------|------|------|
| BEI LM102949 | 1.7812 | .7800 | .140 | BEI LM102910 | 2.891 | .620 | .031 | .770 |
|--------------|--------|-------|------|--------------|-------|------|------|------|

## SERIES LM104900

|              |       |       |      |              |      |      |      |      |
|--------------|-------|-------|------|--------------|------|------|------|------|
| BEI LM104949 | 2.000 | 1.020 | .140 | BEI LM104911 | 3.25 | .650 | .050 | .850 |
|--------------|-------|-------|------|--------------|------|------|------|------|

## SERIES LM501300

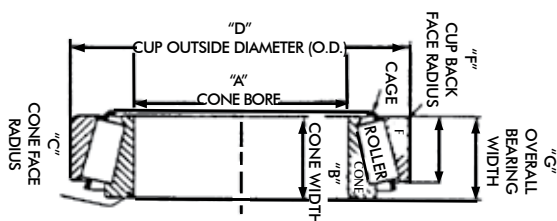
|              |       |      |      |              |       |       |      |       |
|--------------|-------|------|------|--------------|-------|-------|------|-------|
| BEI LM501349 | 1.625 | .780 | .140 | BEI LM501310 | 2.891 | .580  | .031 | .770  |
|              |       |      |      | BEI LM501311 | 2.891 | .716  | .093 | .906  |
|              |       |      |      | BEI LM501314 | 2.891 | .6537 | .030 | .8437 |

## SERIES LM603000

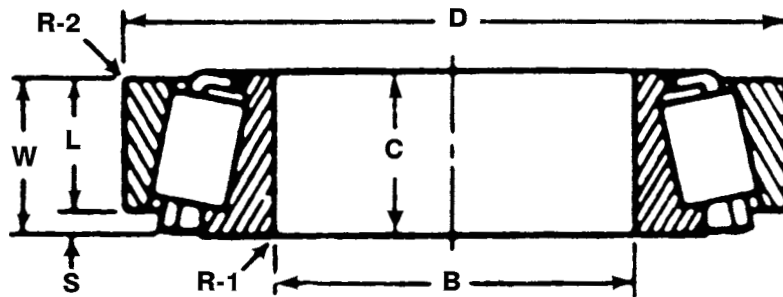
|              |        |       |      |              |        |       |      |       |
|--------------|--------|-------|------|--------------|--------|-------|------|-------|
| BEI LM603049 | 1.7812 | .7812 | .140 | BEI LM603011 | 3.0625 | .5937 | .031 | .7812 |
|              |        |       |      | BEI LM603012 | 3.0625 | .6562 | .031 | .8437 |

\*Bearings within the same series are compatible. You cannot mix & match with other series.

\*Above bearings are imported.



**WAP METRIC TAPERED ROLLER BEARINGS**



| ASSY # | CONE DIMENSIONS (mm) |            |              |          | CUP DIMENSIONS (mm) |              |              |           |
|--------|----------------------|------------|--------------|----------|---------------------|--------------|--------------|-----------|
|        | BORE (B)             | LENGTH (C) | RADIUS (R-1) | O.D. (D) | LENGTH (L)          | RADIUS (R-2) | STANDOUT (S) | WIDTH (W) |

**SERIES NO. 30200**

|           |       |         |       |       |       |       |      |       |
|-----------|-------|---------|-------|-------|-------|-------|------|-------|
| BEI 30202 | 15 mm | 11.2 mm | -     | 35 mm | 10 mm | -     | -    | -     |
| BEI 30203 | 17    | 12      | 1.524 | 40    | 11    | 1.524 | 2.25 | 13.25 |
| BEI 30204 | 20    | 14      | 1.524 | 47    | 12    | 1.524 | 3.25 | 15.25 |
| BEI 30205 | 25    | 15      | 1.524 | 52    | 13    | 1.524 | 3.25 | 16.25 |
| BEI 30206 | 30    | 16      | 1.524 | 62    | 14    | 1.524 | 3.25 | 17.25 |
| BEI 30207 | 35    | 17      | 3.032 | 72    | 15    | 3.032 | 3.25 | 18.25 |
| BEI 30208 | 40    | 18      | 3.032 | 80    | 16    | 2.032 | 3.75 | 19.75 |

**SERIES NO. 30300**

|           |    |    |       |    |    |       |      |       |
|-----------|----|----|-------|----|----|-------|------|-------|
| BEI 30302 | 15 | 13 | 1.524 | 42 | 11 | 1.524 | 3.25 | 14.25 |
| BEI 30303 | 17 | 14 | 1.524 | 47 | 12 | 1.524 | 3.25 | 15.25 |
| BEI 30304 | 20 | 15 | 2.032 | 52 | 13 | 2.032 | 3.25 | 16.25 |
| BEI 30305 | 25 | 17 | 2.032 | 62 | 15 | 2.032 | 3.25 | 18.25 |

**SERIES NO. 32200**

|           |    |    |       |    |    |       |      |       |
|-----------|----|----|-------|----|----|-------|------|-------|
| BEI 32206 | 30 | 20 | 1.524 | 62 | 17 | 1.524 | 4.25 | 21.25 |
|-----------|----|----|-------|----|----|-------|------|-------|

*\*These are complete bearing sets (cup & cone).*

*\*Cup & cone are not available separately.*

**DON'T FORGET**

**Check out Section 8 for a full selection of PTO parts in both inch & metric sizes...**

## TRAILER WHEEL BEARING KIT

These wheel bearing kits are individually boxed packages, and they contain everything needed to repair or replace the bearings on one wheel. Also included in the kit are detailed instructions, a grease pack and cotter pin.

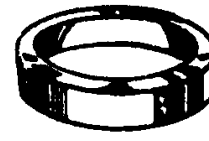
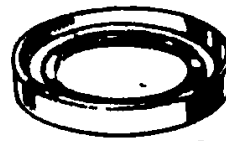
All of our kits contain original equipment quality bearings and seals. These parts are suitable for a variety of applications including boat, golf cart, horse, snowmobile, utility and camper trailers.

### Kit Consists of:

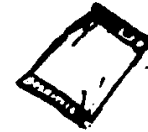
1 Grease Seal  
Fits most Wheels

2 Tapered Roller  
Bearing Cups

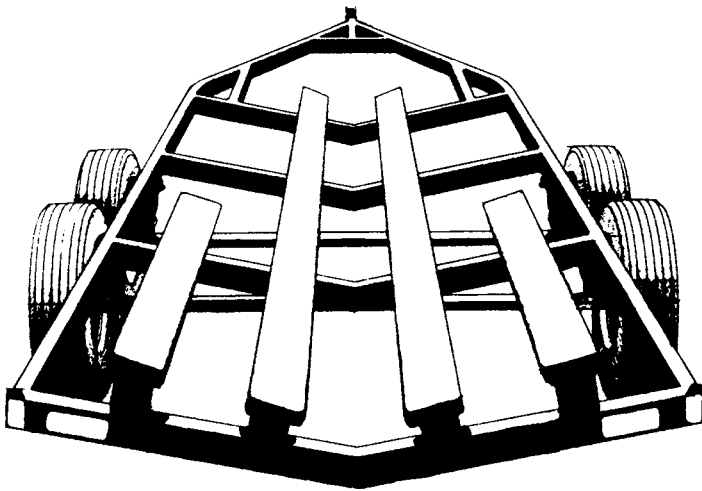
2 Tapered Roller  
Bearing Cones



1 Cotter Pin

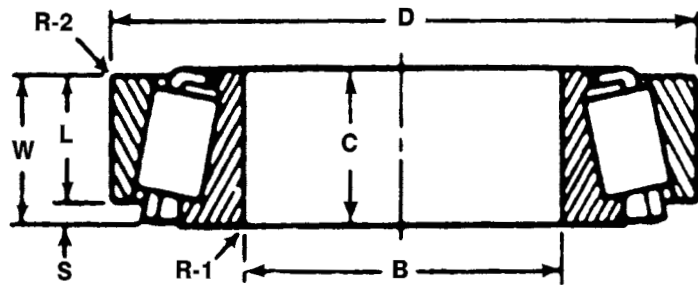


1 Grease Pouch



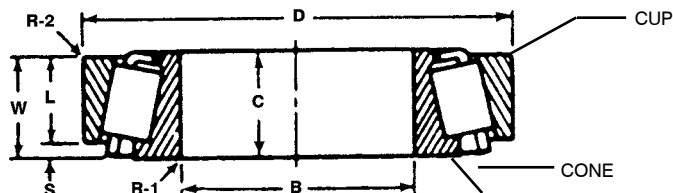
| OUR PART NO. | CR NO. | SKF NO. | APPLICATION       | CONTENTS   |
|--------------|--------|---------|-------------------|--|
| BED FM001    | #22    | RTK-1   | 3/4" axle shaft   | Two A-2s (L11949/L11910), one 204020 seal, one cotter pin (1/8" x 2" pin), one grease pack (55 gram), one installation instruction sheet |
| BED FM002    | #21    | RTK-3   | 1" axle shaft     | Two A-14s (L44643/L44610), one 203025 seal, one cotter pin (1/8" x 2"), one grease pack (55 gram), one installation instruction sheet    |
| BED FM003    | -      | -       | 1" axle shaft     | Two A-19s (07100/07196), one 203012 seal, one cotter pin (1/8" x 2"), one grease pack (55 gram), one installation instruction sheet      |
| BED FM004    | #23    | RTK-4   | 1 1/4" axle shaft | Two A-6s (LM67048/LM67010), one 203013 seal, one cotter pin (1/8" x 2") one grease pack (55 gram), one installation instruction sheet    |
| BED FM005    | -      | RTK-5   | 1 3/8" axle shaft | Two A-5s (LM48548/LM48510), one 205015 seal, one cotter pin (1/8" x 2"), one grease pack (55 gram), one installation instruction sheet   |

**BED INCH TAPERED ROLLER BEARING SETS**



| ASSY #    | CONE DIMENSIONS (INCH) |               |              |                | CUP DIMENSIONS (INCH) |              |              |               | COMPONENTS                          |
|-----------|------------------------|---------------|--------------|----------------|-----------------------|--------------|--------------|---------------|-------------------------------------|
|           | BORE (B)               | LENGTH (C)    | RADIUS (R-1) | O.D. (D)       | LENGTH (L)            | RADIUS (R-2) | STANDOUT (S) | WIDTH (W)     |                                     |
| BED SET1  | .6875                  | .5750         | .046         | 1.5700         | .4200                 | .046         | .1250        | .5450         | LM11749 - LM11710                   |
| BED SET2  | .7500                  | .6550         | .046         | 1.7810         | .4750                 | .046         | .1350        | .6100         | LM11949 - LM11910                   |
| BED A2L   | .7500                  | .6580         | .085         | 1.7820         | .6120                 | .092         | -            | .6180         | LM11949XL-LM11910XL                 |
| BED SET3  | .8437                  | .7200         | .046         | 1.9687         | .5500                 | .046         | .1400        | .6900         | M12649 - M12610                     |
| BED SET4  | 1.0625                 | .5800         | .140         | 1.9800         | .1200                 | .046         | .1400        | .5600         | L44649 - L44610                     |
| BED SET5  | 1.3750                 | .7200         | Spec.        | 2.5625         | .5500                 | .046         | .1600        | .7100         | LM48548 - LM48510                   |
| BED A5L   | 1.3750                 | .7230         | .222         | 2.5635         | .7120                 | .092         | -            | .7180         | LM48548XL-LM48510XL                 |
| BED SET6  | 1.2500                 | .6600         | Spec.        | 2.3280         | .4650                 | .046         | .1600        | .6250         | LM11949 - LM11910                   |
| BED A6L   | 1.2500                 | .6630         | .222         | 2.3290         | .6270                 | .092         | -            | .6330         | LM67048XL-LM67010XL                 |
| BED SET7  | 1.5625                 | .8700         | .031         | 2.8750         | .8400                 | .093         | .1700        | 1.0100        | M201047S - M201011                  |
| BED SET9  | 1.3780                 | .8110         | .090         | 2.5591         | .5512                 | .050         | .1614        | .7126         | -----                               |
| BED SET10 | 1.5625                 | .8700         | .090         | 2.8750         | .6010                 | .0580        | .1626        | .7636         | -----                               |
| BED SET12 | .8661                  | .6550         | .050         | 1.7810         | .4750                 | .050         | .1350        | .6100         | LM12749 - LM12710                   |
| BED SET13 | 1.3772                 | .6690         | .203         | 2.3280         | .4700                 | .050         | .1550        | .6250         | L68149 - L68110                     |
| BED SET14 | 1.0000                 | .5800         | .046         | 1.9800         | .4200                 | .046         | .1400        | .5600         | L44643 - L44610                     |
| BED SET8  | 1.1417                 | .5800         | .140         | 1.9800         | .4200                 | .050         | .1400        | .5600         | L45449 - L45410                     |
| BED SET16 | .8661                  | .6550         | .050         | 1.8100         | .4750                 | .050         | .1350        | .6100         | LM12749 - LM12711                   |
| BED SET17 | 1.3772                 | .6600         | .203         | 2.3622         | .4700                 | .050         | .1550        | .6250         | L68149 - L68111                     |
| BED SET11 | 1.4961                 | .6693         | Spec.        | 2.4803         | .5315                 | .050         | .1378        | .6693         | JL69349 - JL693910                  |
| BED SET15 | 1.0000                 | .5614         | .040         | 1.9687         | .3750                 | .040         | .1563        | .5313         | 07100 - 07196                       |
| BED SET20 | 1.5625                 | .8700         | .090         | 3.1483         | .6010                 | .050         | .1626        | .7636         | -----                               |
| BED SET25 | 2.1654                 | 2.0172        | .140         | 3.5433         | 1.6928                | .020         | .1772        | 2.0472        | JLM506848E-JLM506810<br>(1)K524108R |
| BED SET23 | 2.0000                 | 2.0380        | .140         | 3.2500         | 1.6380                | .050         | .2000        | 2.0380        | LM104949E-LM104911<br>(1)X24466     |
| BED A24   | 32.000                 | 26.000        | -            | 65.000         | 15.000                | -            | 12.250       | 27.250        | -----                               |
| BED B24   | 1.2500                 | .7311         | Spec.        | 2.3280         | .4650                 | .046         | .1600        | .6250         | LM67045-LM67010                     |
| BED A31   | 1.3780                 | .7248         | .078         | 2.3620         | .4700                 | .050         | .1550        | .6250         | JL68145-JL68111Z                    |
| BED B31   | 1.3779                 | 1.3779        | .070         | 2.5590         | .6889                 | .024         | -            | 1.3779        | -----                               |
| BED A32   | 28mm                   | 16mm          | -            | 52mm           | 12mm                  | -            | 4mm          | 16mm          | -----                               |
| BED A33   | 32mm<br>1.2600         | 17mm<br>.6693 | -<br>-       | 58mm<br>2.2835 | 13mm<br>.5118         | -<br>-       | 4mm<br>.1575 | 17mm<br>.6693 | -----                               |

## BED TAPERED ROLLER BEARINGS



| Cone Part # | BORE B | LENGTH C | RADIUS R-1 | Cup Part # | O.D. D | LENGTH L | RADIUS R-2 | STAND-OUT S | WIDTH W |
|-------------|--------|----------|------------|------------|--------|----------|------------|-------------|---------|
|-------------|--------|----------|------------|------------|--------|----------|------------|-------------|---------|

## SERIES NO. 335

|          |        |        |      |          |        |       |      |       |        |
|----------|--------|--------|------|----------|--------|-------|------|-------|--------|
| BED 336  | 1.6250 | .8820  | .031 | BED 332  | 3.1496 | .7018 | .046 | .1250 | .8268  |
| BED 342  | 1.6250 | .8820  | .140 | BED 3320 | 3.1562 | .9375 | .125 | .1250 | 1.0625 |
| BED 342A | 1.6250 | 1.1802 | .140 |          |        |       |      |       |        |
| BED 342S | 1.6880 | .8820  | .140 |          |        |       |      |       |        |

## SERIES NO. 355

|          |        |       |      |          |        |       |      |       |        |
|----------|--------|-------|------|----------|--------|-------|------|-------|--------|
| BED 355X | 1.7500 | .8540 | .140 | BED 352  | 3.5480 | .8586 | .093 | .0496 | .9055  |
| BED 359S | 1.8125 | .8540 | .093 | BED 354A | 3.3464 | .6875 | .046 | .1250 | .8125  |
|          |        |       |      | BED 3525 | 3.4375 | .9375 | .125 | .1253 | 1.0628 |

## SERIES NO. 365

|          |        |       |      |          |        |       |      |       |       |
|----------|--------|-------|------|----------|--------|-------|------|-------|-------|
| BED 366  | 1.9685 | .8750 | .093 | BED 362  | 3.5433 | .6250 | .078 | .1624 | .7874 |
| BED 368  | 2.0000 | .8750 | .062 | BED 362A | 3.5000 | .6501 | .046 | .1624 | .8125 |
| BED 368A | 2.0000 | .8750 | .140 | BED 363  | 3.5433 | .7874 | .031 | .0000 | .7874 |
| BED 368S | 2.0312 | .8750 | .078 |          |        |       |      |       |       |
| BED 369A | 1.8750 | .8750 | .140 |          |        |       |      |       |       |
| BED 370A | 2.0000 | .8750 | .203 |          |        |       |      |       |       |

## SERIES NO. 385

|           |        |        |       |          |        |       |      |       |        |
|-----------|--------|--------|-------|----------|--------|-------|------|-------|--------|
| BED 385A  | 2.0000 | .8640  | .0093 | BED 382  | 3.8750 | .7018 | .031 | .1250 | .8268  |
| BED 385SD | 1.5310 | 3.0000 | .015  | BED 382A | 3.8125 | .6250 | .031 | .2018 | .8268  |
| BED 387   | 2.2500 | .8670  | .093  | BED 382S | 3.8125 | .7982 | .093 | .2018 | 1.0000 |
| BED 387A  | 2.2500 | .8640  | .140  | BED 383A | 3.9370 | .7018 | .078 | .1250 | .8268  |
| BED 387AS | 2.2500 | .8640  | .203  |          |        |       |      |       |        |
| BED 388A  | 2.2650 | .8640  | .140  |          |        |       |      |       |        |

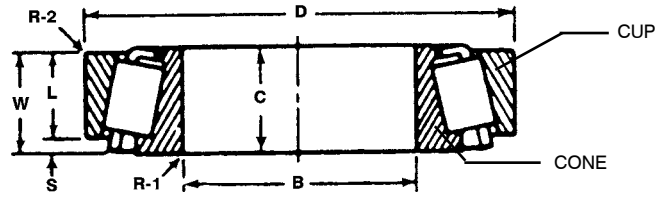
## SERIES NO. 395

|           |        |       |      |           |        |       |      |       |        |
|-----------|--------|-------|------|-----------|--------|-------|------|-------|--------|
| BED 390   | 2.2500 | .8660 | .093 | BED 394A  | 4.3307 | .7411 | .046 | .1250 | .8661  |
| BED 390A  | 2.5000 | .8660 | .062 | BED 394AS | 4.3307 | .7411 | .125 | .1250 | .8661  |
| BED 392   | 2.4375 | .8660 | .031 | BED 394CS | 4.4680 | .7411 | .047 | .6900 | 1.4311 |
| BED 395   | 2.5000 | .8660 | .140 | BED 3920  | 4.4375 | .9375 | .125 | .1250 | 1.0625 |
| BED 395A  | 2.6250 | .8660 | .031 | BED 394CS | 4.4680 | .7411 | .047 | .1819 | .9230  |
| BED 395CS | 2.6250 | .9320 | .140 |           |        |       |      |       |        |
| BED 395ES | 2.6250 | .9230 | .140 |           |        |       |      |       |        |

\* Bearings within the same series are compatible. You cannot mix & match with other series.



**BED TAPERED ROLLER EBARINGS**



| Cone Part # | BORE B | LENGTH C | RADIUS R-1 | Cup Part # | O.D. D | LENGTH L | RADIUS R-2 | STANDOUT S | WIDTH W |
|-------------|--------|----------|------------|------------|--------|----------|------------|------------|---------|
|-------------|--------|----------|------------|------------|--------|----------|------------|------------|---------|

**SERIES NO. 395 (continued)**

|          |        |       |      |  |  |  |  |  |  |
|----------|--------|-------|------|--|--|--|--|--|--|
| BED 395S | 2.6250 | .8660 | .140 |  |  |  |  |  |  |
| BED 397  | 2.3622 | .8660 | .031 |  |  |  |  |  |  |
| BED 399A | 2.6875 | .8660 | .093 |  |  |  |  |  |  |

**SERIES NO. 455**

|          |        |        |      |          |        |        |      |       |        |
|----------|--------|--------|------|----------|--------|--------|------|-------|--------|
| BED 455  | 2.0000 | 1.1542 | .031 | BED 453A | 4.2500 | .8750  | .031 | .2188 | 1.0938 |
| BED 455S | 2.0000 | 1.1542 | .140 | BED 453X | 4.1250 | .9687  | .125 | .2188 | 1.1875 |
| BED 456  | 2.1250 | 1.1542 | .140 | BED 4535 | 4.1250 | 1.3125 | .125 | .2190 | 1.5315 |
| BED 462  | 2.2500 | 1.1542 | .093 | BED 4536 | 4.3750 | 1.2813 | .125 | .2190 | 1.5003 |
| BED 462A | 2.2500 | 1.1542 | .090 | BED 453A | 4.2500 | .8750  | .031 | .2188 | 1.0938 |
| BED 467  | 1.8750 | 1.1542 | .031 |          |        |        |      |       |        |
| BED 469  | 2.2500 | 1.1542 | .140 |          |        |        |      |       |        |

**SERIES NO. 495**

|           |        |        |      |          |        |       |      |       |        |
|-----------|--------|--------|------|----------|--------|-------|------|-------|--------|
| BED 495   | 3.2500 | 1.1720 | .140 | BED 492A | 5.2500 | .8750 | .125 | .3125 | 1.1875 |
| BED 495A  | 3.0000 | 1.1720 | .140 | BED 493  | 5.3750 | .8750 | .125 | .3125 | 1.1875 |
| BED 495AX | 3.0000 | 1.1720 | .250 |          |        |       |      |       |        |
| BED 496   | 3.1875 | 1.1720 | .140 |          |        |       |      |       |        |
| BED 497   | 3.3750 | 1.1720 | .140 |          |        |       |      |       |        |
| BED 498   | 3.3125 | 1.1720 | .140 |          |        |       |      |       |        |

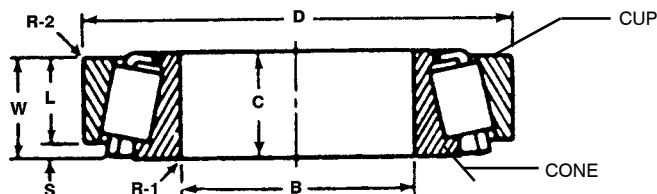
**SERIES NO. 565**

|          |        |        |      |         |        |        |      |       |        |
|----------|--------|--------|------|---------|--------|--------|------|-------|--------|
| BED 565  | 2.5000 | 1.4240 | .140 | BED 563 | 5.0000 | 1.1250 | .125 | .3125 | 1.4375 |
| BED 566  | 2.7500 | 1.4240 | .140 |         |        |        |      |       |        |
| BED 567  | 2.8750 | 1.4240 | .140 |         |        |        |      |       |        |
| BED 567A | 2.8125 | 1.4240 | .140 |         |        |        |      |       |        |
| BED 568  | 2.9062 | 1.4240 | .140 |         |        |        |      |       |        |

**SERIES NO. 575**

|         |        |        |      |         |        |       |      |       |        |
|---------|--------|--------|------|---------|--------|-------|------|-------|--------|
| BED 575 | 3.0000 | 1.4212 | .140 | BED 572 | 5.5115 | 1.250 | .125 | .3125 | 1.4375 |
| BED 576 | 2.8750 | 1.4212 | .140 |         |        |       |      |       |        |
| BED 580 | 3.2500 | 1.4212 | .140 |         |        |       |      |       |        |
| BED 581 | 3.1875 | 1.4212 | .140 |         |        |       |      |       |        |
| BED 582 | 3.2500 | 1.4212 | .265 |         |        |       |      |       |        |

## BED TAPERED ROLLER BEARINGS



| Cone Part # | BORE B | LENGTH C | RADIUS R-1 | Cup Part # | O.D. D | LENGTH L | RADIUS R-2 | STANDOUT S | WIDTH W |
|-------------|--------|----------|------------|------------|--------|----------|------------|------------|---------|
|-------------|--------|----------|------------|------------|--------|----------|------------|------------|---------|

## SERIES NO. 595

|          |        |        |      |          |        |        |      |       |        |
|----------|--------|--------|------|----------|--------|--------|------|-------|--------|
| BED 593  | 3.5000 | 1.4300 | .140 | BED 592  | 6.0000 | 1.3125 | .125 | .2500 | 1.5625 |
| BED 594A | 3.7500 | 1.4300 | .203 | BED 592A | 6.0000 | 1.1875 | .125 | .3750 | 1.5625 |
| BED 595  | 2.3500 | 1.4300 | .140 | BED 593X | 5.9055 | 1.0630 | .120 | .3540 | 1.4170 |
| BED 595A | 3.1250 | 1.4300 | .140 |          |        |        |      |       |        |
| BED 596  | 3.3750 | 1.4300 | .140 |          |        |        |      |       |        |
| BED 598  | 3.6250 | 1.4300 | .140 |          |        |        |      |       |        |

## SERIES NO. 665

|          |        |        |      |         |        |        |      |       |        |
|----------|--------|--------|------|---------|--------|--------|------|-------|--------|
| BED 655  | 2.7500 | 1.6250 | .140 | BED 652 | 6.0000 | 1.2500 | .125 | .3750 | 1.6250 |
| BED 659  | 3.0000 | 1.6250 | .140 | BED 653 | 5.7500 | 1.2500 | .125 | .3750 | 1.6250 |
| BED 661  | 3.1250 | 1.6250 | .140 |         |        |        |      |       |        |
| BED 663  | 3.2500 | 1.6250 | .140 |         |        |        |      |       |        |
| BED 665A | 3.3750 | 1.6250 | .250 |         |        |        |      |       |        |

## SERIES NO. 745

|          |        |        |      |         |        |        |      |       |        |
|----------|--------|--------|------|---------|--------|--------|------|-------|--------|
| BED 740  | 3.1875 | 1.8375 | .203 | BED 742 | 5.9090 | 1.4975 | .125 | .3125 | 1.7500 |
| BED 744  | 2.8750 | 1.8375 | .140 |         |        |        |      |       |        |
| BED 745A | 2.7500 | 1.8375 | .140 |         |        |        |      |       |        |
| BED 748S | 3.0000 | 1.8375 | .140 |         |        |        |      |       |        |
| BED 749  | 3.3475 | 1.8375 | .140 |         |        |        |      |       |        |
| BED 749A | 3.2500 | 1.8375 | .140 |         |        |        |      |       |        |

## SERIES NO. 2500

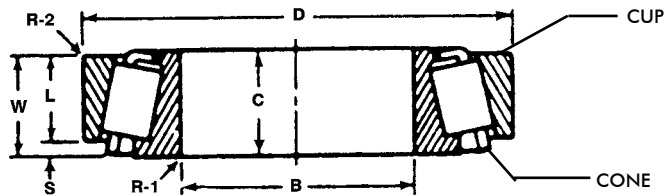
|          |        |       |      |           |       |       |      |       |        |
|----------|--------|-------|------|-----------|-------|-------|------|-------|--------|
| BED 2580 | 1.2500 | .9983 | .030 | BED 25202 | .6150 | .8125 | .130 | .1875 | 1.0000 |
| BED 2580 | 1.2500 | .9983 | .031 | BED 25232 | .7500 | .7500 | .046 | .1875 | .9375  |
| BED 2581 | 1.3125 | .9983 | .031 |           |       |       |      |       |        |
| BED 2585 | 1.3125 | .9983 | .140 |           |       |       |      |       |        |

## SERIES NO. 2700

|           |        |        |      |          |        |       |      |       |       |
|-----------|--------|--------|------|----------|--------|-------|------|-------|-------|
| BED 2776  | 1.5000 | 1.0100 | .171 | BED 2720 | 3.0000 | .7500 | .125 | .1875 | .9375 |
| BED 2777  | 1.5000 | 1.0100 | .218 | BED 2729 | 3.0000 | .7500 | .031 | .1875 | .9375 |
| BED 2780  | 1.4365 | 1.0100 | .062 | BED 279X | 3.0000 | .7500 | .062 | .1875 | .9375 |
| BED 2788  | 1.5000 | 1.0100 | .140 | BED 2735 | 2.8750 | .7500 | .031 | .1875 | .9375 |
| .BED 2789 | 1.5625 | 1.0100 | .140 |          |        |       |      |       |       |

\* Bearings within the same series are compatible. You cannot mix & match with other series.

**BED TAPERED ROLLER BEARINGS**



| Cone Part # | BORE B | LENGTH C | RADIUS R-1 | Cup Part # | O.D. D | LENGTH L | RADIUS R-2 | STANDOUT S | WIDTH W |
|-------------|--------|----------|------------|------------|--------|----------|------------|------------|---------|
|-------------|--------|----------|------------|------------|--------|----------|------------|------------|---------|

**SERIES NO. 2700 (continued)**

|          |        |        |      |  |  |  |  |  |  |
|----------|--------|--------|------|--|--|--|--|--|--|
| BED 2790 | 1.3125 | 1.0100 | .062 |  |  |  |  |  |  |
| BED 2796 | 1.3750 | 1.0100 | .140 |  |  |  |  |  |  |

**SERIES NO. 3100**

|          |        |        |      |          |        |       |      |       |        |
|----------|--------|--------|------|----------|--------|-------|------|-------|--------|
| BED 3196 | 1.3125 | 1.1810 | .140 | BED 3120 | 2.8593 | .9375 | .125 | .2500 | 1.1875 |
|----------|--------|--------|------|----------|--------|-------|------|-------|--------|

**SERIES NO. 3300**

|           |        |        |      |          |        |       |      |       |        |
|-----------|--------|--------|------|----------|--------|-------|------|-------|--------|
| BED 3379  | 1.3750 | 1.1965 | .140 | BED 3320 | 3.1562 | .9375 | .130 | .2188 | 1.1563 |
| BED 3382  | 1.5625 | 1.1965 | .140 |          |        |       |      |       |        |
| BED 3382T | 1.5625 | 1.1965 | .140 |          |        |       |      |       |        |
| BED 3383  | 1.6250 | 1.1965 | .140 |          |        |       |      |       |        |

**SERIES NO. 3500**

|          |        |        |      |          |        |       |      |       |        |
|----------|--------|--------|------|----------|--------|-------|------|-------|--------|
| BED 3577 | 1.6250 | 1.2160 | .140 | BED 3525 | 3.4375 | .9375 | .125 | .2500 | 1.1875 |
| BED 3578 | 1.7500 | 1.2160 | .140 | BED 3578 | 3.4375 | .9375 | .125 | .2500 | 1.1875 |

**SERIES NO. 3700**

|          |        |        |      |          |        |       |      |       |        |
|----------|--------|--------|------|----------|--------|-------|------|-------|--------|
| BED 3767 | 2.0625 | 1.1930 | .093 | BED 3720 | 3.6718 | .9375 | .125 | .2500 | 1.1875 |
| BED 3775 | 2.0000 | 1.1930 | .031 | BED 3726 | 3.7500 | .9375 | .125 | .2500 | 1.1875 |
| BED 3778 | 1.8750 | 1.1930 | .250 | BED 3730 | 3.6718 | .9375 | .030 | .2500 | 1.1875 |
| BED 3780 | 2.0000 | 1.1930 | .140 |          |        |       |      |       |        |
| BED 3782 | 1.7500 | 1.1930 | .140 |          |        |       |      |       |        |

**SERIES NO. 3900**

|          |        |        |      |          |        |       |      |       |        |
|----------|--------|--------|------|----------|--------|-------|------|-------|--------|
| BED 3975 | 2.0000 | 1.1830 | .140 | BED 3920 | 4.4375 | .9375 | .125 | .2500 | 1.1875 |
| BED 3980 | 2.3750 | 1.1830 | .140 |          |        |       |      |       |        |
| BED 3982 | 2.5000 | 1.1830 | .140 |          |        |       |      |       |        |
| BED 3984 | 2.6250 | 1.1830 | .140 |          |        |       |      |       |        |

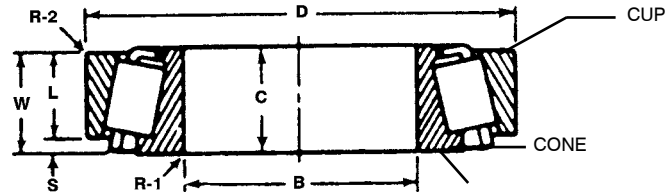
**SERIES NO. A4000**

|           |       |       |      |          |        |       |      |       |       |
|-----------|-------|-------|------|----------|--------|-------|------|-------|-------|
| BED A4050 | .5000 | .4326 | .050 | BEDA4168 | 1.3775 | .3437 | .050 | .0893 | .4330 |
|-----------|-------|-------|------|----------|--------|-------|------|-------|-------|

**SERIES NO. A6000**

|           |       |       |      |           |        |       |      |       |       |
|-----------|-------|-------|------|-----------|--------|-------|------|-------|-------|
| BED A6067 | .6690 | .4391 | .031 | BED A6157 | 1.5745 | .3750 | .046 | .0980 | .4730 |
| BED A6067 | .6690 | .4391 | .030 | BED A6162 | 1.6250 | .3437 | .050 | .1250 | .4687 |

## BED TAPERED ROLLER BEARINGS



| Cone Part # | BORE B | LENGTH C | RADIUS R-1 | Cup Part # | O.D. D | LENGTH L | RADIUS R-2 | STANDOUT S | WIDTH W |
|-------------|--------|----------|------------|------------|--------|----------|------------|------------|---------|
|-------------|--------|----------|------------|------------|--------|----------|------------|------------|---------|

## SERIES NO. A6000 (continued)

|           |       |       |      |  |  |  |  |  |  |
|-----------|-------|-------|------|--|--|--|--|--|--|
| BED A6075 | .7500 | .4391 | .040 |  |  |  |  |  |  |
|-----------|-------|-------|------|--|--|--|--|--|--|

## SERIES NO. 02800

|           |        |       |      |           |        |       |      |       |       |
|-----------|--------|-------|------|-----------|--------|-------|------|-------|-------|
| BED 02872 | 1.1250 | .8750 | .031 | BED 02820 | 2.8750 | .6875 | .125 | .1875 | .8750 |
| BED 02877 | 1.3750 | .8750 | .140 |           |        |       |      |       |       |

## SERIES NO. 03000

|           |       |       |      |           |        |       |      |       |       |
|-----------|-------|-------|------|-----------|--------|-------|------|-------|-------|
| BED 03062 | .6250 | .5780 | .046 | BED 03162 | 1.6250 | .4375 | .078 | .1250 | .5625 |
|-----------|-------|-------|------|-----------|--------|-------|------|-------|-------|

## SERIES NO. 07000

|            |        |       |      |            |        |       |      |       |        |
|------------|--------|-------|------|------------|--------|-------|------|-------|--------|
| BED 07087  | .8750  | .5614 | .046 | BED 07196  | 1.9687 | .3750 | .040 | .1563 | .5313  |
| BED 07093  | .9375  | .5614 | .062 | BED 07204  | 2.0470 | .5000 | .046 | .0910 | .5910  |
| BED 07097  | .9842  | .5614 | .062 | BED 07210X | 2.0000 | .5000 | .060 | .6842 | 1.1842 |
| BED 07098  | .9835  | .5614 | .062 |            |        |       |      |       |        |
| BED 07100  | 1.0000 | .5614 | .040 |            |        |       |      |       |        |
| BED 07100S | 1.0000 | .5614 | .060 |            |        |       |      |       |        |

## SERIES NO. 09000

|           |       |       |       |           |        |       |      |       |       |
|-----------|-------|-------|-------|-----------|--------|-------|------|-------|-------|
| BED 09062 | .6250 | .8480 | .030  | BED 09194 | 1.9380 | .6875 | .140 | .2188 | .9063 |
| BED 09067 | .7500 | .7500 | .046  | BED 09195 | 1.9380 | .5625 | .050 | .2188 | .7813 |
| BED 09074 | .7500 | .8480 | Spec. | BED 09196 | 1.9380 | .6875 | .062 | .2188 | .9063 |
| BED 09078 | .7500 | .8480 | .046  |           |        |       |      |       |       |
| BED 09081 | .8120 | .880  | Spec. |           |        |       |      |       |       |

## SERIES NO. 11500

|           |       |       |      |           |        |       |      |       |       |
|-----------|-------|-------|------|-----------|--------|-------|------|-------|-------|
| BED 11590 | .6250 | .5625 | .062 | BED 11520 | 1.6875 | .3750 | .062 | .1875 | .5625 |
|-----------|-------|-------|------|-----------|--------|-------|------|-------|-------|

## SERIES NO. 11700

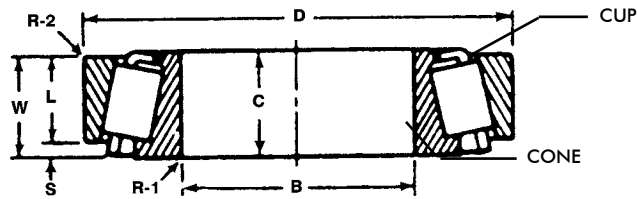
|             |         |       |      |             |        |       |      |       |       |
|-------------|---------|-------|------|-------------|--------|-------|------|-------|-------|
| BED LM11749 | LM11710 | .5750 | .046 | BED LM11710 | .15700 | .4200 | .046 | .1250 | .5450 |
|-------------|---------|-------|------|-------------|--------|-------|------|-------|-------|

## SERIES NO. 11900

|               |       |       |      |               |        |       |      |       |       |
|---------------|-------|-------|------|---------------|--------|-------|------|-------|-------|
| BED LM11949   | .7500 | .6550 | .046 | BED LM11910   | 1.7810 | .4750 | .046 | .1350 | .6100 |
| BED LM11949XL | .7500 | .6550 | .050 | BED LM11910XL | 1.7810 | .4750 | .050 | .1350 | .6100 |

\* Bearings within the same series are compatible. You cannot mix & match with other series.

**BED TAPERED ROLLER BEARINGS**



| Cone Part # | BORE B | LENGTH C | RADIUS R-1 | Cup Part # | O.D. D | LENGTH L | RADIUS R-2 | STANDOUT S | WIDTH W |
|-------------|--------|----------|------------|------------|--------|----------|------------|------------|---------|
|-------------|--------|----------|------------|------------|--------|----------|------------|------------|---------|

**SERIES NO. 12500**

|           |       |       |      |           |        |       |      |       |       |
|-----------|-------|-------|------|-----------|--------|-------|------|-------|-------|
| BED 12580 | .8125 | .7813 | .062 | BED 12520 | 1.9380 | .6250 | .062 | .1563 | .7813 |
|-----------|-------|-------|------|-----------|--------|-------|------|-------|-------|

**SERIES NO. 12600**

|            |       |       |      |            |        |       |      |       |       |
|------------|-------|-------|------|------------|--------|-------|------|-------|-------|
| BED M12649 | .8437 | .7200 | .046 | BED M12610 | 1.9687 | .5500 | .046 | .1400 | .6900 |
|------------|-------|-------|------|------------|--------|-------|------|-------|-------|

**SERIES NO. 12700**

|             |       |       |      |             |        |       |      |       |       |
|-------------|-------|-------|------|-------------|--------|-------|------|-------|-------|
| BED LM12749 | .8661 | .6550 | .050 | BED LM12710 | 1.7810 | .4750 | .050 | .1350 | .6100 |
| BED LM12749 | .8661 | .6550 | .050 | BED LM12711 | 1.8100 | .4750 | .050 | .1350 | .6100 |

**SERIES NO. 13600**

|             |        |        |       |           |        |       |      |        |        |
|-------------|--------|--------|-------|-----------|--------|-------|------|--------|--------|
| BED 13678SD | 1.1560 | 2.8750 | Spec. | BED 13620 | 2.7170 | .5938 | .090 | 2.2812 | 2.8750 |
| BED 13678SD | 1.1560 | 2.8750 | .030  | BED 13621 | 2.7170 | .5938 | .030 | 2.2812 | 2.8750 |
| BED 13685   | 1.5000 | .7500  | .140  |           |        |       |      |        |        |
| BED 13686   | 1.5000 | 1.313  | .062  |           |        |       |      |        |        |
| BED 16687   | 1.5000 | .7500  | .078  |           |        |       |      |        |        |

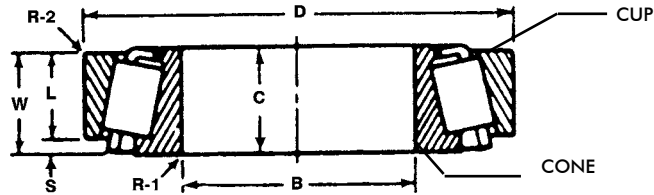
**SERIES NO. 14000**

|            |        |        |      |           |        |       |      |       |       |
|------------|--------|--------|------|-----------|--------|-------|------|-------|-------|
| BED 14116  | 1.1900 | .7710  | .031 | BED 14274 | 2.7170 | .6250 | .125 | .1563 | .7813 |
| BED 14117A | 1.1810 | .7710  | .140 | BED 14276 | 2.7170 | .6250 | .046 | .1563 | .7813 |
| BED 14118S | 1.1810 | .7710  | .031 | BED 14283 | 2.8380 | .7250 | .093 | .1563 | .8813 |
| BED 14123A | 1.2500 | 1.0520 | .171 |           |        |       |      |       |       |
| BED 14124  | 1.2500 | .7710  | .031 |           |        |       |      |       |       |
| BED 14125A | 1.2500 | .7710  | .140 |           |        |       |      |       |       |
| BED 14130  | 1.3125 | .7710  | .140 |           |        |       |      |       |       |
| BED 14131  | 1.3125 | .7710  | .061 |           |        |       |      |       |       |
| BED 14136A | 1.3750 | 1.0520 | .031 |           |        |       |      |       |       |
| BED 14137A | 1.3750 | .7710  | .062 |           |        |       |      |       |       |
| BED 14138A | 1.3750 | .7710  | .140 |           |        |       |      |       |       |
| BED 14139  | 1.3770 | .7710  | .046 |           |        |       |      |       |       |

**SERIES NO. 15000**

|            |        |       |      |           |        |       |      |       |       |
|------------|--------|-------|------|-----------|--------|-------|------|-------|-------|
| BED 15100  | 1.0000 | .8125 | .140 | BED 15243 | 2.4375 | .5625 | .078 | .1875 | .7500 |
| BED 15101  | 1.0000 | .8125 | .031 | BED 15244 | 2.4410 | .6250 | .046 | .1875 | .8215 |
| BED 15103S | 1.0300 | .7850 | .031 | BED 15245 | 2.4410 | .5625 | .046 | .1875 | .7500 |

## BED TAPERED ROLLER BEARINGS



| Cone Part # | BORE B | LENGTH C | RADIUS R-1 | Cup Part # | O.D. D | LENGTH L | RADIUS R-2 | STANDOUT S | WIDTH W |
|-------------|--------|----------|------------|------------|--------|----------|------------|------------|---------|
|-------------|--------|----------|------------|------------|--------|----------|------------|------------|---------|

## SERIES NO. 15000 (continued)

|           |        |       |       |            |        |       |      |       |       |
|-----------|--------|-------|-------|------------|--------|-------|------|-------|-------|
| BED 15106 | 1.0625 | .8125 | .031  | BED 15250X | 2.5000 | .6250 | .062 | .1875 | .8125 |
| BED 15112 | 1.1250 | .8125 | .140  |            |        |       |      |       |       |
| BED 15113 | 1.1250 | .8125 | .031  |            |        |       |      |       |       |
| BED 15116 | 1.1855 | .8125 | .031  |            |        |       |      |       |       |
| BED 15117 | 1.1805 | .8125 | .046  |            |        |       |      |       |       |
| BED 15118 | 1.1985 | .8125 | .140  |            |        |       |      |       |       |
| BED 15119 | 1.1895 | .8125 | .060  |            |        |       |      |       |       |
| BED 15120 | 1.1895 | .8125 | .031  |            |        |       |      |       |       |
| BED 15123 | 1.2500 | .7500 | Spec. |            |        |       |      |       |       |
| BED 15125 | 1.2500 | .8125 | .140  |            |        |       |      |       |       |
| BED 15126 | 1.2500 | .8125 | .031  |            |        |       |      |       |       |

## SERIES NO. 15500

|            |        |       |      |           |        |       |      |       |       |
|------------|--------|-------|------|-----------|--------|-------|------|-------|-------|
| BED 15578  | 1.0000 | .6875 | .046 | BED 15520 | 2.2500 | .5313 | .062 | .1562 | .6875 |
| BED 15579X | 1.0231 | .6875 | .140 |           |        |       |      |       |       |
| BED 15580  | 1.0625 | .6875 | .140 |           |        |       |      |       |       |
| BED 15590  | 1.1250 | .6875 | .140 |           |        |       |      |       |       |

## SERIES NO. 16000

|           |        |       |      |           |        |       |      |       |       |
|-----------|--------|-------|------|-----------|--------|-------|------|-------|-------|
| BED 16150 | 1.5000 | .8125 | .140 | BED 16283 | 2.8440 | .7500 | .090 | .1875 | .9375 |
|           |        |       |      | BED 16284 | 2.8440 | .6250 | .046 | .1875 | .8125 |

## SERIES NO. 17000

|           |        |       |      |           |        |       |      |       |       |
|-----------|--------|-------|------|-----------|--------|-------|------|-------|-------|
| BED 17118 | 1.1805 | .6522 | .062 | BED 17244 | 2.4410 | .5625 | .062 | .0675 | .6300 |
|-----------|--------|-------|------|-----------|--------|-------|------|-------|-------|

## SERIES NO. 18500

|           |        |       |      |           |        |       |      |       |       |
|-----------|--------|-------|------|-----------|--------|-------|------|-------|-------|
| BED 18590 | 1.6250 | .6875 | .140 | BED 18520 | 2.8750 | .5000 | .062 | .1562 | .6562 |
|-----------|--------|-------|------|-----------|--------|-------|------|-------|-------|

## SERIES NO. 18600

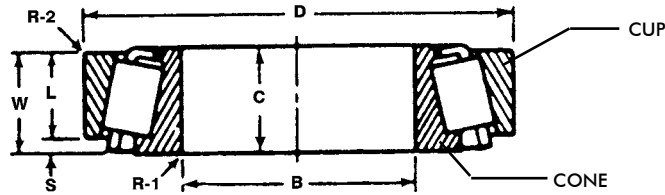
|           |        |       |      |           |        |       |      |       |       |
|-----------|--------|-------|------|-----------|--------|-------|------|-------|-------|
| BED 18685 | 1.7500 | .6875 | .109 | BED 18620 | 3.1250 | .5313 | .062 | .1562 | .6875 |
| BED 18690 | 1.8125 | .6875 | .109 |           |        |       |      |       |       |

## SERIES NO. 18700

|           |        |       |      |           |        |       |      |       |       |
|-----------|--------|-------|------|-----------|--------|-------|------|-------|-------|
| BED 18780 | 1.8125 | .6875 | .093 | BED 18720 | 3.3464 | .5313 | .062 | .1562 | .6875 |
| BED 18790 | 2.0000 | .6875 | .140 |           |        |       |      |       |       |

\* Bearings within the same series are compatible. You cannot mix & match with other series.

**BED TAPERED ROLLER BEARINGS**



| Cone Part # | BORE B | LENGTH C | RADIUS R-1 | Cup Part # | O.D. D | LENGTH L | RADIUS R-2 | STANDOUT S | WIDTH W |
|-------------|--------|----------|------------|------------|--------|----------|------------|------------|---------|
|-------------|--------|----------|------------|------------|--------|----------|------------|------------|---------|

**SERIES NO. 21000**

|           |       |       |      |           |        |       |      |       |       |
|-----------|-------|-------|------|-----------|--------|-------|------|-------|-------|
| BED 21075 | .7500 | .8598 | .062 | BED 21075 | 2.1250 | .6250 | .093 | .2500 | .8750 |
|-----------|-------|-------|------|-----------|--------|-------|------|-------|-------|

**SERIES NO. 24700**

|           |        |       |      |           |        |       |      |       |        |
|-----------|--------|-------|------|-----------|--------|-------|------|-------|--------|
| BED 24780 | 1.6250 | .9063 | .140 | BED 24720 | 3.0000 | .6875 | .031 | .1875 | .8750  |
|           |        |       |      | BED 24721 | 3.0000 | .8125 | .093 | .1875 | 1.0000 |

**SERIES NO. 25500**

|           |        |        |      |             |        |       |      |       |        |
|-----------|--------|--------|------|-------------|--------|-------|------|-------|--------|
| BED 25572 | 1.5000 | 1.0000 | .030 | BED 25519   | 3.2500 | .7500 | .080 | .1875 | .9375  |
| BED 25577 | 1.6880 | 1.0000 | .140 | BED 25520   | 3.2650 | .7500 | .030 | .1875 | .9375  |
| BED 25580 | 1.7500 | 1.0000 | .140 | BED 25521   | 3.2700 | .7500 | .130 | .1875 | .9375  |
| BED 25581 | 1.7500 | 1.0000 | .020 | BED 25522   | 3.2700 | .7525 | .080 | .1875 | .9400  |
| BED 25583 | 1.7500 | 1.4125 | .140 | BED 25523   | 3.2650 | .8750 | .090 | .1875 | 1.0625 |
| BED 25584 | 1.7710 | 1.0000 | .062 | BED 25547RB | 3.9368 | .8125 | .020 | .1875 | 1.0000 |

**SERIES NO. 25800**

|           |        |       |      |           |        |       |      |       |       |
|-----------|--------|-------|------|-----------|--------|-------|------|-------|-------|
| BED 25877 | 1.3750 | .9688 | .062 | BED 25820 | 2.8750 | .7500 | .093 | .1875 | .9375 |
| BED 25880 | 1.4365 | .9688 | .062 | BED 25821 | 2.8750 | .7500 | .031 | .1875 | .9375 |

**SERIES NO. 26800**

|            |        |        |      |           |        |       |      |       |        |
|------------|--------|--------|------|-----------|--------|-------|------|-------|--------|
| BED 26878  | 1.5000 | 1.0000 | .031 | BED 26820 | 3.1562 | .8125 | .125 | .1875 | 1.0000 |
| BED 26881  | 1.5625 | 1.0000 | .140 | BED 26822 | 3.1250 | .7500 | .031 | .1875 | .9375  |
| BED 26882  | 1.6250 | 1.0000 | .140 | BED 26823 | 3.0000 | .8125 | .062 | .1875 | 1.0000 |
| BED 26882T | 1.6250 | 1.0000 | .062 |           |        |       |      |       |        |
| BED 26882  | 1.6880 | 1.0000 | .140 |           |        |       |      |       |        |

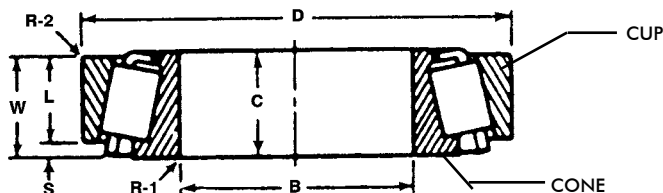
**SERIES NO. 27600**

|           |        |        |      |           |        |       |      |       |        |
|-----------|--------|--------|------|-----------|--------|-------|------|-------|--------|
| BED 27684 | 3.0000 | 1.0000 | .140 | BED 27620 | 4.9375 | .7813 | .062 | .2187 | 1.0000 |
| BED 27687 | 3.2500 | 1.0000 | .140 |           |        |       |      |       |        |
| BED 27689 | 3.2813 | 1.0000 | .031 |           |        |       |      |       |        |
| BED 27690 | 3.2813 | 1.0000 | .140 |           |        |       |      |       |        |

**SERIES NO. 27800**

|           |       |       |      |           |        |       |      |       |       |
|-----------|-------|-------|------|-----------|--------|-------|------|-------|-------|
| BED 27880 | 1.500 | .9330 | .031 | BED 27820 | 3.1510 | .7288 | .032 | .2400 | .9688 |
|-----------|-------|-------|------|-----------|--------|-------|------|-------|-------|

## BED TAPERED ROLLER BEARINGS

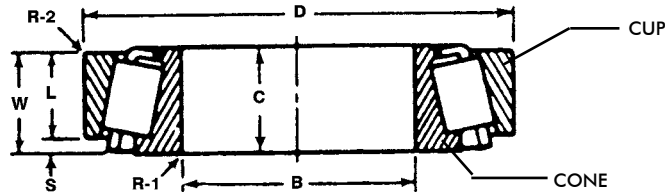


| Cone Part #               | BORE B | LENGTH C | RADIUS R-1 | Cup Part #  | O.D. D | LENGTH L | RADIUS R-2 | STANDOUT S | WIDTH W |
|---------------------------|--------|----------|------------|-------------|--------|----------|------------|------------|---------|
| <b>SERIES NO. 28500</b>   |        |          |            |             |        |          |            |            |         |
| BED 28580                 | 2.0000 | 1.0000   | .140       | BED 28521   | 3.6250 | .7813    | .031       | .1875      | .9688   |
| BED 28584                 | 2.0625 | 1.0000   | .140       | BED 28527RB | 3.9368 | .7813    | .020       | .1875      | .9688   |
| <b>SERIES NO. 28600</b>   |        |          |            |             |        |          |            |            |         |
| BED 28678                 | 2.0000 | .9688    | .140       | BED 28622   | 3.8437 | .7656    | .031       | .2032      | .9688   |
| BED 28682                 | 2.2500 | .9688    | .140       |             |        |          |            |            |         |
| <b>SERIES NO. 29500</b>   |        |          |            |             |        |          |            |            |         |
| BED 29580                 | 2.3622 | 1.0000   | .140       | BED 29520   | 4.2500 | .7500    | .125       | .2500      | 1.0000  |
| BED 29585                 | 2.5000 | 1.0000   | .140       |             |        |          |            |            |         |
| BED 29590                 | 2.6250 | 1.0000   | .140       |             |        |          |            |            |         |
| <b>SERIES NO. 29600</b>   |        |          |            |             |        |          |            |            |         |
| BED 29675                 | 2.7500 | 1.0000   | .062       | BED 29620   | 4.4375 | .7500    | .125       | .2500      | 1.0000  |
| BED 29685                 | 2.8750 | 1.0000   | .140       |             |        |          |            |            |         |
| <b>SERIES NO. LM29700</b> |        |          |            |             |        |          |            |            |         |
| BED LM29748               | 1.5000 | .7200    | Spec.      | BED LM29710 | 2.5625 | .5500    | .046       | .1600      | .7100   |
| BED LM29749               | 1.5000 | .7200    | .093       | BED LM29711 | 2.5625 | .6250    | .050       | .1600      | .7800   |
| <b>SERIES NO. 31500</b>   |        |          |            |             |        |          |            |            |         |
| BED 31593                 | 1.3750 | 1.1250   | .140       | BED 31520   | 3.0000 | .9375    | .125       | .2188      | 1.1563  |
| BED 31594                 | 1.3750 | 1.1250   | .062       |             |        |          |            |            |         |
| BED 31597                 | 1.3750 | 1.1250   | .140       |             |        |          |            |            |         |
| <b>SERIES NO. 33000</b>   |        |          |            |             |        |          |            |            |         |
| BED 33262                 | 2.6250 | 1.1875   | .140       | BED 33462   | 4.6250 | .9375    | .125       | .2500      | 1.1875  |
| BED 33275                 | 2.7500 | 1.1875   | .140       | BED 33472   | 4.7244 | .9230    | .031       | .2500      | 1.1730  |
| BED 33281                 | 2.8125 | 1.1875   | .140       |             |        |          |            |            |         |
| BED 33287                 | .8750  | 1.1875   | .140       |             |        |          |            |            |         |
| <b>SERIES NO. 33800</b>   |        |          |            |             |        |          |            |            |         |
| BED 33895                 | 2.1250 | 1.1250   | .062       | BED 33821   | 3.7500 | .8750    | .093       | .2188      | 1.0938  |

\* Bearings within the same series are compatible. You cannot mix & match with other series.



**BED TAPERED ROLLER BEARINGS**



| Cone Part # | BORE B | LENGTH C | RADIUS R-1 | Cup Part # | O.D. D | LENGTH L | RADIUS R-2 | STANDOUT S | WIDTH W |
|-------------|--------|----------|------------|------------|--------|----------|------------|------------|---------|
|-------------|--------|----------|------------|------------|--------|----------|------------|------------|---------|

**SERIES NO. 39500**

|           |        |        |      |           |        |       |      |       |        |
|-----------|--------|--------|------|-----------|--------|-------|------|-------|--------|
| BED 39580 | 2.2500 | 1.1875 | .140 | BED 39520 | 4.4375 | .9375 | .125 | .2500 | 1.1875 |
| BED 39581 | 2.2500 | 1.1875 | .312 |           |        |       |      |       |        |
| BED 39585 | 2.5000 | 1.1875 | .140 |           |        |       |      |       |        |
| BED 39590 | 2.6250 | 1.1875 | .140 |           |        |       |      |       |        |

**SERIES NO. 42000**

|           |        |        |      |           |        |       |      |       |        |
|-----------|--------|--------|------|-----------|--------|-------|------|-------|--------|
| BED 42246 | 3.4630 | 1.1460 | .120 | BED 42584 | 5.8437 | .8438 | .120 | .2812 | 1.1250 |
| BED 42350 | 3.5000 | 1.1460 | .120 | BED 42587 | 5.8750 | .9688 | .125 | .2812 | 1.2500 |
| BED 42376 | 3.7500 | 1.1460 | .140 |           |        |       |      |       |        |
| BED 42381 | 3.8125 | 1.1460 | .140 |           |        |       |      |       |        |

**SERIES NO. 42600**

|           |        |        |      |           |        |       |      |       |        |
|-----------|--------|--------|------|-----------|--------|-------|------|-------|--------|
| BED 42687 | 3.0000 | 1.2205 | .140 | BED 42620 | 5.0000 | .8750 | .125 | .3125 | 1.1875 |
| BED 42690 | 3.0625 | 1.2205 | .140 |           |        |       |      |       |        |

**SERIES NO. L44600**

|            |        |       |      |            |        |       |      |       |       |
|------------|--------|-------|------|------------|--------|-------|------|-------|-------|
| BED L44640 | .9375  | .5800 | .062 | BED L44610 | 1.9800 | .4200 | .046 | .1400 | .5600 |
| BED L44643 | 1.0000 | .5800 | .046 |            |        |       |      |       |       |
| BED L44649 | 1.0625 | .5800 | .140 |            |        |       |      |       |       |

**SERIES NO. 45200**

|           |        |        |      |           |        |       |      |       |        |
|-----------|--------|--------|------|-----------|--------|-------|------|-------|--------|
| BED 45280 | 1.7500 | 1.2188 | .030 | BED 45220 | 4.1250 | .9375 | .125 | .2500 | 1.1875 |
| BED 45282 | 1.8750 | 1.2188 | .140 |           |        |       |      |       |        |
| BED 45284 | 2.0000 | 1.2188 | .250 |           |        |       |      |       |        |
| BED 45285 | 2.0000 | 1.2188 | .093 |           |        |       |      |       |        |
| BED 45287 | 2.1250 | 1.2188 | .030 |           |        |       |      |       |        |
| BED 45290 | 2.2500 | 1.2188 | .093 |           |        |       |      |       |        |

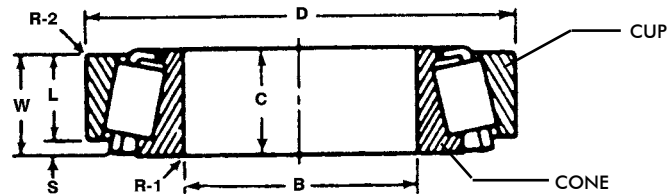
**SERIES NO. L45400**

|            |        |       |      |            |        |       |      |       |       |
|------------|--------|-------|------|------------|--------|-------|------|-------|-------|
| BED L45449 | 1.1417 | .5800 | .140 | BED L45410 | 19.800 | .4200 | .050 | .1400 | .5600 |
|------------|--------|-------|------|------------|--------|-------|------|-------|-------|

**SERIES NO. 47400**

|           |        |        |      |           |        |        |      |       |        |
|-----------|--------|--------|------|-----------|--------|--------|------|-------|--------|
| BED 47487 | 2.7500 | 1.2813 | .140 | BED 47420 | 4.7244 | 1.0313 | .125 | .2500 | 1.2813 |
| BED 47490 | 2.8125 | 1.2813 | .140 |           |        |        |      |       |        |

## BED TAPERED ROLLER BEARINGS



| Cone   |           |             |               | Cup    |           |             |               |               |            |
|--------|-----------|-------------|---------------|--------|-----------|-------------|---------------|---------------|------------|
| Part # | BORE<br>B | LENGTH<br>C | RADIUS<br>R-1 | Part # | O.D.<br>D | LENGTH<br>L | RADIUS<br>R-2 | STANDOUT<br>S | WIDTH<br>W |

## SERIES NO. 47600

|           |        |        |      |            |        |        |      |       |        |
|-----------|--------|--------|------|------------|--------|--------|------|-------|--------|
| BED 47678 | 3.0000 | 1.3125 | .250 | BED 47620  | 5.2500 | 1.0313 | .125 | .2812 | 1.3125 |
| BED 47681 | 3.1875 | 1.3125 | .140 | BED 47623A | 5.3750 | 1.7500 | CH.  | .0000 | 1.7500 |
| BED 47686 | 3.2500 | 1.3125 | .140 |            |        |        |      |       |        |

## SERIES NO. 47800

|           |        |        |      |           |        |        |      |       |        |
|-----------|--------|--------|------|-----------|--------|--------|------|-------|--------|
| BED 47890 | 3.6250 | 1.3750 | .140 | BED 47820 | 5.7500 | 1.0313 | .125 | .2812 | 1.3125 |
| BED 47896 | 3.7500 | 1.3750 | .140 |           |        |        |      |       |        |

## SERIES NO. 48200

|           |        |        |      |           |        |        |      |       |        |
|-----------|--------|--------|------|-----------|--------|--------|------|-------|--------|
| BED 48286 | 4.8750 | 1.5000 | .140 | BED 48220 | 7.1875 | 1.3125 | .125 | .2500 | 1.5625 |
| BED 48290 | 5.0000 | 1.5000 | .140 |           |        |        |      |       |        |

## SERIES NO. LM48500

|               |        |       |       |               |        |       |      |       |       |
|---------------|--------|-------|-------|---------------|--------|-------|------|-------|-------|
| BED LM48548   | 1.3750 | .7200 | Spec. | BED LM48510   | 2.5625 | .5500 | .046 | .1600 | .7100 |
| BED LM48548XL | 1.3750 | .7200 | Spec. | BED LM48510XL | 2.5625 | .5500 | .046 | .1600 | .7100 |

## SERIES NO. 49500

|           |        |        |      |           |        |        |      |       |       |
|-----------|--------|--------|------|-----------|--------|--------|------|-------|-------|
| BED 49585 | 2.0000 | 1.2500 | .140 | BED 49520 | 4.0000 | 1.0000 | .125 | .2500 | 1.250 |
|-----------|--------|--------|------|-----------|--------|--------|------|-------|-------|

## SERIES NO. 56000

|           |        |        |      |           |        |        |      |       |        |
|-----------|--------|--------|------|-----------|--------|--------|------|-------|--------|
| BED 56418 | 4.1875 | 1.4375 | .140 | BED 56650 | 6.5000 | 1.0625 | .125 | .3750 | 1.4375 |
| BED 56425 | 4.2500 | 1.4375 | .140 |           |        |        |      |       |        |

## SERIES NO. 64000

|            |        |        |       |           |        |        |      |       |        |
|------------|--------|--------|-------|-----------|--------|--------|------|-------|--------|
| BED 64450  | 4.5000 | 1.6250 | .140  | BED 64700 | 7.0000 | 1.1875 | .125 | .4375 | 1.6250 |
| BED 64452A | 4.5266 | 1.6250 | .3500 |           |        |        |      |       |        |

## SERIES NO. LM67000

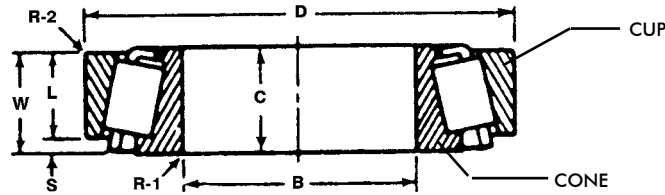
|               |        |       |       |               |        |       |      |       |       |
|---------------|--------|-------|-------|---------------|--------|-------|------|-------|-------|
| BED LM67048   | 1.2500 | .6600 | Spec. | BED LM67010   | 2.3280 | .4650 | .046 | .1600 | .6250 |
| BED LM67048XL | 1.2500 | .6600 | Spec. | BED LM67010XL | 2.3280 | .4650 | .050 | .1600 | .6250 |

## SERIES NO. L68100

|            |        |       |      |            |        |       |      |       |       |
|------------|--------|-------|------|------------|--------|-------|------|-------|-------|
| BED L68149 | 1.3772 | .6600 | .203 | BED L68110 | 2.3280 | .4700 | .050 | .1550 | .6250 |
|------------|--------|-------|------|------------|--------|-------|------|-------|-------|

\* Bearings within the same series are compatible. You cannot mix & match with other series.

**BED TAPERED ROLLER BEARINGS**



| Cone Part # | BORE B | LENGTH C | RADIUS R-1 | Cup Part # | O.D. D | LENGTH L | RADIUS R-2 | STANDOUT S | WIDTH W |
|-------------|--------|----------|------------|------------|--------|----------|------------|------------|---------|
|-------------|--------|----------|------------|------------|--------|----------|------------|------------|---------|

**SERIES NO. JL69300**

|             |        |       |       |             |        |       |      |       |       |
|-------------|--------|-------|-------|-------------|--------|-------|------|-------|-------|
| BED JL69349 | 1.4961 | .6693 | Spec. | BED JL69310 | 2.4803 | .5315 | .050 | .1378 | .6693 |
|-------------|--------|-------|-------|-------------|--------|-------|------|-------|-------|

**SERIES NO. 72000C**

|            |        |        |      |           |        |        |      |       |        |
|------------|--------|--------|------|-----------|--------|--------|------|-------|--------|
| BED 72187C | 1.8750 | 1.2910 | .140 | BED 72487 | 4.8750 | 1.0000 | .125 | .4375 | 1.4375 |
| BED 72188C | 1.8750 | 1.2910 | .031 |           |        |        |      |       |        |
| BED 72200C | 2.0000 | 1.2910 | .140 |           |        |        |      |       |        |
| BED 72212C | 2.1250 | 1.2910 | .140 |           |        |        |      |       |        |
| BED 72218C | 2.1875 | 1.2910 | .140 |           |        |        |      |       |        |
| BED 72225C | 2.2500 | 1.2910 | .140 |           |        |        |      |       |        |

**SERIES NO. M84500**

|            |        |       |       |            |        |       |      |       |       |
|------------|--------|-------|-------|------------|--------|-------|------|-------|-------|
| BED M84548 | 1.0000 | .7650 | .0690 | BED M84510 | 2.2500 | .5800 | .060 | .1875 | .7650 |
|------------|--------|-------|-------|------------|--------|-------|------|-------|-------|

**SERIES NO. 86600**

|            |        |       |      |            |        |       |      |       |       |
|------------|--------|-------|------|------------|--------|-------|------|-------|-------|
| BED M86647 | 1.1250 | .8438 | .062 | BED M86610 | 2.5312 | .6563 | .062 | .1785 | .8438 |
| BED M86649 | 1.1875 | .8438 | .062 |            |        |       |      |       |       |

**SERIES NO. M88000**

|            |        |       |      |            |        |       |      |       |       |
|------------|--------|-------|------|------------|--------|-------|------|-------|-------|
| BED M88043 | 1.1875 | .8750 | .093 | BED M88010 | 2.6875 | .6875 | .062 | .1875 | .8750 |
| BED M88048 | 1.3125 | .8750 | .031 |            |        |       |      |       |       |

**SERIES NO. HM88500**

|             |        |        |      |             |        |       |      |       |        |
|-------------|--------|--------|------|-------------|--------|-------|------|-------|--------|
| BED HM88542 | 1.2500 | 1.0938 | .046 | BED HM88510 | 2.8750 | .9063 | .125 | .2500 | 1.1563 |
| BED HM88547 | 1.3125 | 1.0938 | .031 |             |        |       |      |       |        |

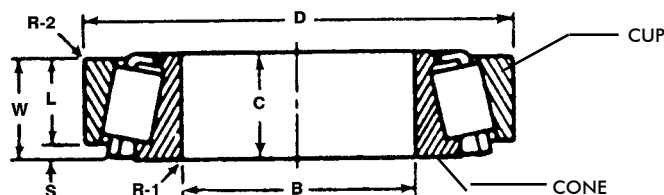
**SERIES NO. HM88600**

|             |        |        |      |             |        |       |      |       |        |
|-------------|--------|--------|------|-------------|--------|-------|------|-------|--------|
| BED HM88648 | 1.4062 | 1.0000 | .140 | BED HM88648 | 2.8438 | .7812 | .093 | .2188 | 1.0000 |
| BED HM88649 | 1.3750 | 1.0000 | .093 |             |        |       |      |       |        |

**SERIES NO. HM89400**

|             |        |        |      |             |        |       |      |       |        |
|-------------|--------|--------|------|-------------|--------|-------|------|-------|--------|
| BED HM89443 | 1.3125 | 1.250  | .025 | BED HM89410 | 3.0000 | .9063 | .125 | .2500 | 1.1563 |
| BED HM89446 | 1.3750 | 1.250  | .140 |             |        |       |      |       |        |
| BED HM89449 | 1.4375 | 1.1250 | .140 |             |        |       |      |       |        |

## BED TAPERED ROLLER BEARINGS



| Cone Part # | BORE B | LENGTH C | RADIUS R-1 | Cup Part # | O.D. D | LENGTH L | RADIUS R-2 | STANDOUT S | WIDTH W |
|-------------|--------|----------|------------|------------|--------|----------|------------|------------|---------|
|-------------|--------|----------|------------|------------|--------|----------|------------|------------|---------|

## SERIES NO. LM102900

|              |        |       |      |              |        |       |      |       |       |
|--------------|--------|-------|------|--------------|--------|-------|------|-------|-------|
| BED LM102949 | 1.7812 | .7800 | .140 | BED LM102910 | 2.8910 | .6200 | .031 | .1500 | .7700 |
| BED LM102949 | 1.7812 | .7800 | .140 | BED LM102911 | 2.8910 | .6937 | .030 | .1500 | .8437 |

## SERIES NO. LM104900

|               |        |        |      |               |        |       |      |       |       |
|---------------|--------|--------|------|---------------|--------|-------|------|-------|-------|
| BED JLM104948 | 1.9685 | .8465  | .120 | BED JLM104910 | 3.2283 | .6693 | .020 | .1959 | .8465 |
| BED LM104949  | 2.0000 | 1.0200 | .140 | BED JLM104911 | 3.2500 | .6500 | .050 | .2000 | .8500 |
|               |        |        |      | BED LM104911A | 3.2500 | .7300 | .031 | .2000 | .9300 |
|               |        |        |      | BED LM104912  | 3.2650 | .6500 | .050 | .2000 | .8500 |

## SERIES NO. M205100

|              |        |        |      |              |        |       |      |       |        |
|--------------|--------|--------|------|--------------|--------|-------|------|-------|--------|
| BED JM205149 | 1.9685 | 1.1024 | .120 | BED JM205110 | 3.5433 | .9055 | .100 | .1969 | 1.1024 |
|--------------|--------|--------|------|--------------|--------|-------|------|-------|--------|

## SERIES NO. M207000

|              |        |        |      |              |        |       |      |       |        |
|--------------|--------|--------|------|--------------|--------|-------|------|-------|--------|
| BED JM207049 | 2.1654 | 1.1417 | .060 | BED JM207010 | 3.7402 | .9252 | .100 | .2165 | 1.4170 |
|--------------|--------|--------|------|--------------|--------|-------|------|-------|--------|

## SERIES NO. H211700

|              |        |        |      |              |        |        |      |       |        |
|--------------|--------|--------|------|--------------|--------|--------|------|-------|--------|
| BED JH211749 | 2.5591 | 1.5157 | .120 | BED JH211710 | 4.7244 | 1.2598 | .100 | .2756 | 1.5354 |
|--------------|--------|--------|------|--------------|--------|--------|------|-------|--------|

## SERIES NO. HM212000

|              |        |        |      |              |        |        |      |       |        |
|--------------|--------|--------|------|--------------|--------|--------|------|-------|--------|
| BED HM212044 | 2.3750 | 1.5000 | .312 | BED HM212010 | 4.8125 | 1.1700 | .062 | .3300 | 1.5000 |
| BED HM212047 | 2.5000 | 1.5000 | .281 | BED HM212011 | 4.8125 | 1.1700 | .125 | .3300 | 1.5000 |
| BED HM212049 | 2.6250 | 1.5000 | .140 |              |        |        |      |       |        |

## SERIES NO. HM218200

|              |        |        |      |              |        |        |      |       |        |
|--------------|--------|--------|------|--------------|--------|--------|------|-------|--------|
| BED HM218248 | 3.5423 | 1.5748 | .280 | BED HM218210 | 2.7864 | 1.2795 | .140 | .2953 | 1.5748 |
|--------------|--------|--------|------|--------------|--------|--------|------|-------|--------|

## SERIES NO. H414200

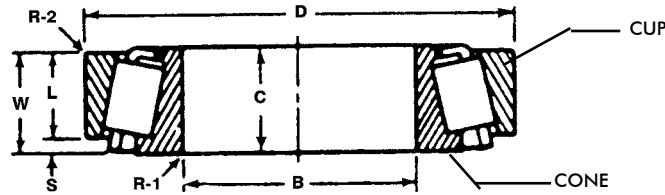
|             |        |        |      |             |        |        |      |       |        |
|-------------|--------|--------|------|-------------|--------|--------|------|-------|--------|
| BED H414235 | 2.5000 | 1.6250 | .140 | BED H414210 | 5.3750 | 1.2500 | .125 | .3750 | 1.6250 |
| BED H414242 | 2.6250 | 1.6250 | .140 |             |        |        |      |       |        |
| BED H414249 | 2.8125 | 1.6250 | .140 |             |        |        |      |       |        |

## SERIES NO. LM501300

|                |        |        |       |              |        |       |      |       |       |
|----------------|--------|--------|-------|--------------|--------|-------|------|-------|-------|
| BED LM501334SD | 1.2850 | 2.8750 | Spec. | BED LM501310 | 2.8910 | .5800 | .031 | .1900 | .7700 |
| BED LM501349   | 1.6250 | .7800  | .140  | BED LM501311 | 2.8910 | .7160 | .093 | .1900 | .9060 |
|                |        |        |       | BED LM501314 | 2.8910 | .6537 | .030 | .1900 | .8437 |

\* Bearings within the same series are compatible. You cannot mix & match with other series.

**BED TAPERED ROLLER BEARINGS**



| Cone Part # | BORE B | LENGTH C | RADIUS R-1 | Cup Part # | O.D. D | LENGTH L | RADIUS R-2 | STANDOUT S | WIDTH W |
|-------------|--------|----------|------------|------------|--------|----------|------------|------------|---------|
|-------------|--------|----------|------------|------------|--------|----------|------------|------------|---------|

**SERIES NO. JLM506848**

|               |        |       |      |               |        |       |      |       |       |
|---------------|--------|-------|------|---------------|--------|-------|------|-------|-------|
| BED JLM506849 | 2.1654 | .9055 | .060 | BED JLM506810 | 3.5433 | .7283 | .020 | .1772 | .9055 |
|               |        |       |      | BED JLM506811 | 3.5433 | .8071 | .020 | .1772 | .9843 |

**SERIES NO. M511900**

|              |        |        |      |              |        |       |      |       |        |
|--------------|--------|--------|------|--------------|--------|-------|------|-------|--------|
| BED JM511946 | 2.5591 | 1.1024 | .120 | BED JM511946 | 4.3307 | .8858 | .100 | .2166 | 1.1024 |
|--------------|--------|--------|------|--------------|--------|-------|------|-------|--------|

**SERIES NO. M515600**

|              |        |        |      |              |        |        |      |       |        |
|--------------|--------|--------|------|--------------|--------|--------|------|-------|--------|
| BED JM515649 | 3.1496 | 1.3386 | .118 | BED JM515610 | 5.1181 | 1.1220 | .098 | .2560 | 1.3780 |
|--------------|--------|--------|------|--------------|--------|--------|------|-------|--------|

**SERIES NO. LM603000**

|              |        |       |      |              |        |       |      |       |       |
|--------------|--------|-------|------|--------------|--------|-------|------|-------|-------|
| BED LM603049 | 1.7812 | .7812 | .140 | BED LM603011 | 3.0625 | .5937 | .031 | .1875 | .7812 |
|              |        |       |      | BED LM603012 | 3.0625 | .6562 | .031 | .1875 | .8437 |

**SERIES NO. L610500**

|             |        |       |      |             |        |       |      |       |       |
|-------------|--------|-------|------|-------------|--------|-------|------|-------|-------|
| BED L610549 | 2.5000 | .7500 | .060 | BED L610510 | 3.7188 | .5938 | .060 | .1562 | .7500 |
|-------------|--------|-------|------|-------------|--------|-------|------|-------|-------|

**SERIES NO. LM704600**

|               |        |       |      |               |        |       |      |       |       |
|---------------|--------|-------|------|---------------|--------|-------|------|-------|-------|
| BED JLM704649 | 1.9685 | .8661 | .140 | BED JLM704610 | 3.3074 | .6890 | .060 | .1562 | .7500 |
|---------------|--------|-------|------|---------------|--------|-------|------|-------|-------|

**SERIES NO. LM710900**

|               |        |       |      |               |        |       |      |       |       |
|---------------|--------|-------|------|---------------|--------|-------|------|-------|-------|
| BED JLM710949 | 2.5591 | .9055 | .120 | BED JLM710910 | 4.1339 | .7283 | .040 | .1166 | .9449 |
|---------------|--------|-------|------|---------------|--------|-------|------|-------|-------|

**SERIES NO. LM714100**

|               |        |       |      |               |        |       |      |       |       |
|---------------|--------|-------|------|---------------|--------|-------|------|-------|-------|
| BED JLM714149 | 2.9528 | .9843 | .120 | BED JLM714110 | 4.5276 | .7480 | .100 | .2363 | .9843 |
|---------------|--------|-------|------|---------------|--------|-------|------|-------|-------|

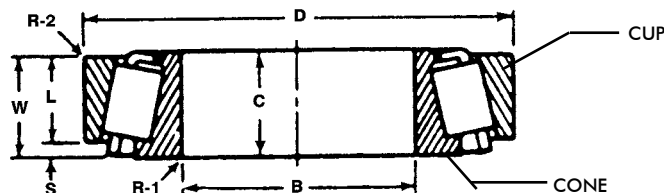
**SERIES NO. H715300**

|             |        |        |      |             |        |        |      |       |        |
|-------------|--------|--------|------|-------------|--------|--------|------|-------|--------|
| BED H715334 | 2.4375 | 1.8125 | .140 | BED H715310 | 5.5000 | 1.4375 | .125 | .3750 | 1.8125 |
| BED H715340 | 2.5625 | 1.8125 | .140 | BED H715311 | 5.3750 | 1.4375 | .125 | .3750 | 1.8125 |
| BED H715343 | 2.6875 | 1.8125 | .140 |             |        |        |      |       |        |
| BED H715345 | 2.8125 | 1.8125 | .140 |             |        |        |      |       |        |

**SERIES NO. HM803100**

|              |        |        |      |              |        |       |      |       |        |
|--------------|--------|--------|------|--------------|--------|-------|------|-------|--------|
| BED HM803146 | 1.6250 | 1.1563 | .140 | BED HM803110 | 3.5000 | .9063 | .125 | .2812 | 1.1875 |
| BED HM803149 | 1.7500 | 1.1563 | .140 |              |        |       |      |       |        |

## BED TAPERED ROLLER BEARINGS



| Cone Part # | BORE B | LENGTH C | RADIUS R-1 | Cup Part # | O.D. D | LENGTH L | RADIUS R-2 | STANDOUT S | WIDTH W |
|-------------|--------|----------|------------|------------|--------|----------|------------|------------|---------|
|-------------|--------|----------|------------|------------|--------|----------|------------|------------|---------|

## SERIES NO. M80400

|             |        |        |      |            |        |       |      |       |        |
|-------------|--------|--------|------|------------|--------|-------|------|-------|--------|
| BED M804049 | 1.8750 | 1.0000 | .140 | BED M80410 | 3.5000 | .7500 | .125 | .2500 | 1.0000 |
|-------------|--------|--------|------|------------|--------|-------|------|-------|--------|

## SERIES NO. HM804800

|              |        |        |      |              |        |       |      |       |        |
|--------------|--------|--------|------|--------------|--------|-------|------|-------|--------|
| BED HM804842 | 1.7500 | 1.1563 | .125 | BED HM804810 | 3.7500 | .9063 | .125 | .2812 | 1.1875 |
| BED HM804846 | 1.8750 | 1.1563 | .140 |              |        |       |      |       |        |
| BED HM804849 | 1.9060 | 1.1563 | .140 |              |        |       |      |       |        |

## SERIES NO. HM807000

|              |        |        |      |              |        |        |      |       |        |
|--------------|--------|--------|------|--------------|--------|--------|------|-------|--------|
| BED HM807040 | 1.7500 | 1.4375 | .140 | BED HM807010 | 4.1250 | 1.1250 | .125 | .3125 | 1.4375 |
| BED HM807044 | 1.9375 | 1.4375 | .140 |              |        |        |      |       |        |
| BED HM807046 | 2.0000 | 1.4375 | .140 |              |        |        |      |       |        |
| BED HM807049 | 2.1250 | 1.4375 | .140 |              |        |        |      |       |        |

## SERIES NO. HM813800

|              |        |        |      |              |        |        |      |       |        |
|--------------|--------|--------|------|--------------|--------|--------|------|-------|--------|
| BED HM813841 | 2.3750 | 1.4375 | .140 | BED HM813810 | 5.0000 | 1.0625 | .125 | .3750 | 1.4375 |
| BED HM813843 | 2.4375 | 1.4375 | .140 |              |        |        |      |       |        |
| BED HM813844 | 2.6250 | 1.4375 | .140 |              |        |        |      |       |        |
| BED HM813849 | 2.8125 | 1.4375 | .140 |              |        |        |      |       |        |

## SERIES NO. LM814800

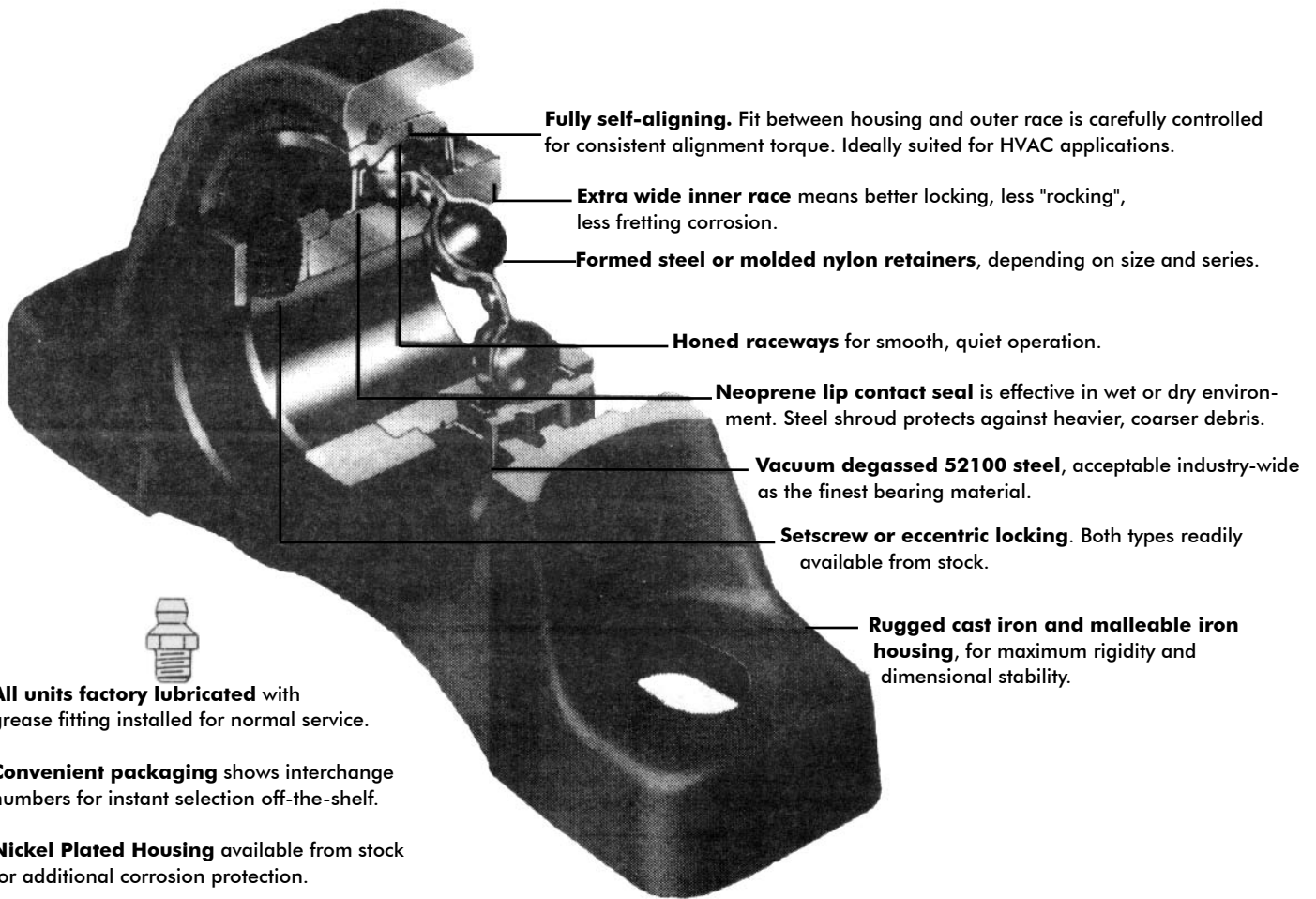
|              |        |        |      |              |        |       |      |       |        |
|--------------|--------|--------|------|--------------|--------|-------|------|-------|--------|
| BED LM814849 | 3.0625 | 1.0000 | .140 | BED LM814810 | 4.6250 | .7500 | .125 | .2500 | 1.0000 |
|--------------|--------|--------|------|--------------|--------|-------|------|-------|--------|

## SERIES NO. HM903200

|              |        |        |      |              |        |       |      |       |        |
|--------------|--------|--------|------|--------------|--------|-------|------|-------|--------|
| BED HM903244 | 1.6250 | 1.1142 | .060 | BED HM309210 | 3.7500 | .8750 | .031 | .3438 | 1.2188 |
| BED HM903245 | 1.6250 | 1.1250 | .140 |              |        |       |      |       |        |
| BED HM903249 | 1.7500 | 1.1250 | .140 |              |        |       |      |       |        |

\* Bearings within the same series are compatible. You cannot mix & match with other series.

**200 SERIES NORMAL DUTY BALL BEARING UNITS**



**Fully self-aligning.** Fit between housing and outer race is carefully controlled for consistent alignment torque. Ideally suited for HVAC applications.

**Extra wide inner race** means better locking, less "rocking", less fretting corrosion.

**Formed steel or molded nylon retainers**, depending on size and series.

**Honed raceways** for smooth, quiet operation.

**Neoprene lip contact seal** is effective in wet or dry environment. Steel shroud protects against heavier, coarser debris.

**Vacuum degassed 52100 steel**, acceptable industry-wide as the finest bearing material.

**Setscrew or eccentric locking.** Both types readily available from stock.

**Rugged cast iron and malleable iron housing**, for maximum rigidity and dimensional stability.



**All units factory lubricated** with grease fitting installed for normal service.

**Convenient packaging** shows interchange numbers for instant selection off-the-shelf.

**Nickel Plated Housing** available from stock for additional corrosion protection.

**Dimensional Interchangeable.** Industry standard housing dimensions in pillow blocks, flange blocks, take-up units - cast iron and malleable - 100 Series light duty, 200 Series normal duty and 300 Series medium duty.

**Features**

- 52100 vacuum degassed steel
- Zone hardened inner
- Honed raceways
- Diamond cup pt. set screws
- 120 degree set screw locking
- Wide inner race
- Outer race anti-rotation pin
- Molded nylon retainer
- Molded lip contact seal
- Additional Flinger
- Solid base housing

**Benefits**

- Improved fatigue life
- Better clamping force on shaft
- Smoother & quieter operation
- Superior shaft locking
- Balance three point contact
- Stabilizes load over greater surface area
- Prevents creep in the housing
- Minimizes ball wear
- Retains grease effectively
- Excludes foreign matter from entering bearing
- Provides rigidity, sound reduction & vibration

## 200 SERIES PILLOW BLOCKS



## Normal Duty Pillow Blocks - High Series - Setscrew Lock

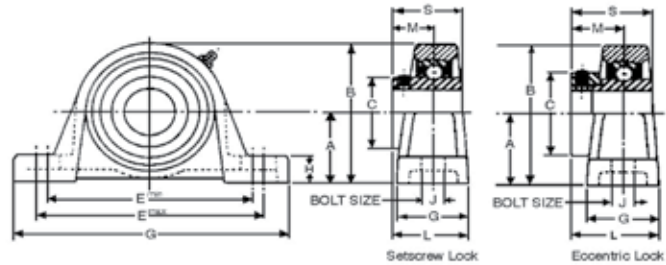
| PART NO.    | SHAFT SIZE (") | A       | B       | C       | E MIN   | E MAX   | F       | G       | H     | J   | L       | M      | S       | WT (LBS) |
|-------------|----------------|---------|---------|---------|---------|---------|---------|---------|-------|-----|---------|--------|---------|----------|
| BED VPS208  | 1/2"           | 1 3/16  | 2 7/32  | 3 1/32  | 3 1/8   | 4 1/8   | 4 7/8   | 1 7/32  | 15/32 | 3/8 | 1 15/64 | 5/8    | 1 1/32  | 1.0      |
| BED VPS210  | 5/8            | 1 3/16  | 2 7/32  | 3 1/32  | 3 1/8   | 4 1/8   | 4 7/8   | 1 7/32  | 15/32 | 3/8 | 1 15/64 | 5/8    | 1 1/32  | 1.0      |
| BED VPS212  | 3/4            | 1 5/16  | 2 17/32 | 1 9/64  | 3 3/8   | 4 3/16  | 5       | 1 11/32 | 15/32 | 3/8 | 1 25/64 | 23/32  | 1 7/32  | 1.4      |
| BED VPS214  | 7/8            | 1 7/16  | 2 13/16 | 1 11/32 | 3 11/16 | 4 9/16  | 5 1/2   | 1 13/32 | 19/32 | 3/8 | 1 33/64 | 13/16  | 1 3/8   | 1.8      |
| BED VPS215  | 15/16          | 1 7/16  | 2 13/16 | 1 11/32 | 3 11/16 | 4 9/16  | 5 1/2   | 1 13/32 | 19/32 | 3/8 | 1 33/64 | 13/16  | 1 3/8   | 1.8      |
| BED VPS216  | 1              | 1 7/16  | 2 13/16 | 1 11/16 | 3 11/16 | 4 9/16  | 5 1/2   | 1 13/32 | 19/32 | 3/8 | 1 33/64 | 13/16  | 1 3/8   | 1.8      |
| BED VPS218  | 1 1/8          | 1 11/16 | 3 9/32  | 1 19/32 | 4 3/16  | 5 1/16  | 6 3/16  | 1 3/4   | 21/32 | 1/2 | 1 3/4   | 7/8    | 1 1/2   | 2.8      |
| BED VPS219  | 1 3/8          | 1 11/16 | 3 9/32  | 1 19/32 | 4 3/16  | 5 1/16  | 6 3/16  | 1 3/4   | 21/32 | 1/2 | 1 3/4   | 7/8    | 1 1/2   | 2.7      |
| BED VPS220S | 1 7/16         | 1 11/16 | 3 9/32  | 1 19/32 | 4 3/16  | 5 1/16  | 6 3/16  | 1 3/4   | 21/32 | 1/2 | 1 3/4   | 7/8    | 1 1/2   | 2.7      |
| BED VPS220  | 1 1/4          | 1 7/8   | 3 11/16 | 1 7/8   | 4 5/8   | 5 3/8   | 6 3/4   | 1 3/4   | 23/32 | 1/2 | 1 7/8   | 1      | 1 11/16 | 3.6      |
| BED VPS222  | 1 3/8          | 1 7/8   | 3 11/16 | 1 7/8   | 4 5/8   | 5 3/8   | 6 3/4   | 1 3/4   | 23/32 | 1/2 | 1 7/8   | 1      | 1 11/16 | 3.4      |
| BED VPS223  | 1 7/16         | 1 7/8   | 3 11/16 | 1 7/8   | 4 5/8   | 5 3/8   | 6 3/4   | 1 3/4   | 23/32 | 1/2 | 1 7/8   | 1      | 1 11/16 | 3.4      |
| BED VPS224  | 1 1/2          | 2       | 3 15/16 | 2 5/64  | 4 7/8   | 5 7/8   | 7 1/8   | 1 15/16 | 3/4   | 1/2 | 2 5/32  | 1 3/16 | 1 15/16 | 4.5      |
| BED VPS226  | 1 5/8          | 2 1/8   | 4 1/4   | 2 1/4   | 5 1/4   | 6 1/16  | 7 3/8   | 2       | 3/4   | 1/2 | 2 3/16  | 1 3/16 | 1 15/16 | 5.3      |
| BED VPS227  | 1 11/16        | 2 1/8   | 4 1/4   | 2 1/4   | 5 1/4   | 6 1/16  | 7 3/8   | 2       | 3/4   | 1/2 | 2 3/16  | 1 3/16 | 1 15/16 | 5.2      |
| BED VPS228  | 1 3/4          | 2 1/8   | 4 1/4   | 2 1/4   | 5 1/4   | 6 1/16  | 7 3/8   | 2       | 3/4   | 1/2 | 2 3/16  | 1 3/16 | 1 15/16 | 5.1      |
| BED VPS231  | 1 15/16        | 2 1/4   | 4 9/16  | 2 15/32 | 5 7/8   | 6 1/2   | 8       | 2 3/16  | 3/4   | 5/8 | 2 3/8   | 1 9/32 | 2 1/32  | 5.6      |
| BED VPS232  | 2              | 2 1/2   | 4 31/32 | 2 25/32 | 6 7/16  | 7 7/16  | 8 13/16 | 2 5/16  | 7/8   | 5/8 | 2 15/32 | 1 5/16 | 2 3/16  | 7.6      |
| BED VPS235  | 2 3/16         | 2 1/2   | 4 31/32 | 2 25/32 | 6 7/16  | 7 7/16  | 8 13/16 | 2 5/16  | 7/8   | 5/8 | 2 15/32 | 1 5/16 | 2 3/16  | 7.3      |
| BED VPS236  | 2 1/4          | 2 3/4   | 5 9/16  | 3 1/16  | 6 7/8   | 7 15/16 | 9 1/2   | 2 3/8   | 7/8   | 5/8 | 2 3/4   | 1 9/16 | 2 9/16  | 10.7     |
| BED VPS239  | 2 7/16         | 2 3/4   | 5 9/16  | 3 1/16  | 6 7/8   | 7 15/16 | 9 1/2   | 2 3/8   | 7/8   | 5/8 | 2 3/4   | 1 9/16 | 2 9/16  | 10.3     |
| BED VPS247  | 2 15/16        | 3 5/16  | 6 5/8   | 3 19/32 | 8 5/8   | 9 3/4   | 11 3/4  | 2 7/8   | 1     | 3/4 | 3 3/16  | 1 3/4  | 3 1/16  | 20.0     |

## Normal Duty Pillow Blocks - High Series - Eccentric Lock

| PART NO.    | SHAFT SIZE (") | A       | B       | C      | E MIN.  | E MAX.  | F       | G       | H     | J   | L       | M       | S       | WT (LBS) |
|-------------|----------------|---------|---------|--------|---------|---------|---------|---------|-------|-----|---------|---------|---------|----------|
| BED VPE208  | 1/2"           | 1 3/16  | 7/32    | 1 1/8  | 3 1/8   | 4 1/8   | 4 7/8   | 1 7/32  | 15/32 | 3/8 | 1 17/32 | 59/64   | 1 15/32 | 1.0      |
| BED VPE210  | 5/8            | 1 3/16  | 2 7/32  | 1 1/8  | 3 1/8   | 4 1/8   | 4 7/8   | 1 7/32  | 15/32 | 3/8 | 1 17/32 | 59/64   | 1 15/32 | 1.0      |
| BED VPE212  | 3/4            | 1 5/16  | 2 17/32 | 1 5/16 | 3 3/8   | 4 3/16  | 5       | 1 11/32 | 17/32 | 3/8 | 1 23/32 | 1 3/64  | 1 23/32 | 1.5      |
| BED VPE214  | 7/8            | 1 7/16  | 2 13/16 | 1 1/2  | 3 11/16 | 4 9/16  | 5 1/2   | 1 13/32 | 19/32 | 3/8 | 1 49/64 | 1 1/16  | 1 3/4   | 1.9      |
| BED VPE215  | 15/16          | 1 7/16  | 2 13/16 | 1 1/2  | 3 11/16 | 4 9/16  | 5 1/2   | 1 13/32 | 19/32 | 3/8 | 1 49/64 | 1 1/16  | 1 3/4   | 1.9      |
| BED VPE216  | 1              | 1 7/16  | 2 13/16 | 1 1/2  | 3 11/16 | 4 9/16  | 5 1/2   | 1 13/32 | 19/32 | 3/8 | 1 49/64 | 1 1/16  | 1 3/4   | 1.8      |
| BED VPE218  | 1 1/8          | 1 11/16 | 3 9/32  | 1 3/4  | 4 3/16  | 5 1/16  | 6 3/16  | 1 3/4   | 21/32 | 1/2 | 2 1/16  | 1 3/16  | 1 29/32 | 2.9      |
| BED VPE219  | 1 3/16         | 1 11/16 | 3 9/32  | 1 3/4  | 4 3/16  | 5 1/16  | 6 3/16  | 1 3/4   | 21/32 | 1/2 | 2 1/16  | 1 3/16  | 1 29/32 | 2.8      |
| BED VPE220S | 1 1/4          | 1 11/16 | 3 9/32  | 1 3/4  | 4 3/16  | 5 1/16  | 6 3/16  | 1 3/4   | 21/32 | 1/2 | 2 1/16  | 1 3/16  | 1 29/32 | 2.8      |
| BED VPE220  | 1 1/4          | 1 7/8   | 3 11/16 | 2 3/16 | 4 5/8   | 5 3/8   | 6 3/4   | 1 3/4   | 23/32 | 1/2 | 2 5/32  | 1 9/32  | 2 1/64  | 3.7      |
| BED VPE222  | 1 3/8          | 1 7/8   | 3 11/16 | 2 3/16 | 4 5/8   | 5 3/8   | 6 3/4   | 1 3/4   | 23/32 | 1/2 | 2 5/32  | 1 9/32  | 2 1/64  | 3.7      |
| BED VPE223  | 1 7/16         | 1 7/8   | 3 11/16 | 2 3/16 | 4 5/8   | 5 3/4   | 6 3/4   | 1 3/4   | 23/32 | 1/2 | 2 5/32  | 1 9/32  | 2 1/64  | 3.7      |
| BED VPE224  | 1 1/2          | 2       | 3 15/16 | 2 3/8  | 4 7/8   | 5 7/8   | 7 1/8   | 1 15/16 | 3/4   | 1/2 | 2 11/32 | 1 3/8   | 2 7/32  | 4.8      |
| BED VPE226  | 1 5/8          | 2 1/8   | 4 1/4   | 2 1/2  | 5 1/4   | 6 1/16  | 7 3/8   | 2       | 3/4   | 1/2 | 2 3/8   | 1 3/8   | 2 7/32  | 5.6      |
| BED VPE227  | 1 11/16        | 2 1/8   | 4 1/4   | 2 1/2  | 5 1/4   | 6 1/16  | 7 3/8   | 2       | 3/4   | 1/2 | 2 3/8   | 1 3/8   | 2 7/32  | 5.5      |
| BED VPE228  | 1 3/4          | 2 1/8   | 4 1/4   | 2 1/2  | 5 1/4   | 6 1/16  | 7 3/8   | 2       | 3/4   | 1/2 | 2 3/8   | 1 3/8   | 2 7/32  | 5.4      |
| BED VPE231  | 1 15/16        | 2 1/4   | 4 9/16  | 2 3/4  | 5 7/8   | 6 1/2   | 8       | 2 3/16  | 3/4   | 5/8 | 2 19/32 | 1 1/2   | 2 15/32 | 5.9      |
| BED VPE232  | 2              | 2 1/2   | 4 31/32 | 3      | 6 7/16  | 7 7/16  | 8 13/16 | 2 5/16  | 7/8   | 5/8 | 2 7/8   | 1 23/32 | 2 13/16 | 8.1      |
| BED VPE235  | 2 3/16         | 2 1/2   | 4 31/32 | 3      | 6 7/16  | 7 7/16  | 8 13/16 | 2 5/16  | 7/8   | 5/8 | 2 7/8   | 1 23/32 | 2 13/16 | 7.8      |
| BED VPE236  | 2 1/4          | 2 3/4   | 5 9/16  | 3 5/16 | 6 7/8   | 7 15/16 | 9 1/2   | 2 3/8   | 7/8   | 5/8 | 3 1/32  | 1 27/32 | 2 13/16 | 11.3     |
| BED VPE239  | 2 7/16         | 2 3/4   | 5 9/16  | 3 5/16 | 6 7/8   | 7 15/16 | 9 1/2   | 2 3/8   | 7/8   | 5/8 | 3 1/32  | 1 27/32 | 3 1/16  | 10.8     |
| BED VPE247  | 2 15/16        | 3 5/16  | 6 5/8   | 4 1/64 | 8 5/8   | 9       | 11 3/4  | 2 7/8   | 1     | 3/4 | 3 19/32 | 2 5/32  | 3 5/8   | 20.6     |



**200 SERIES PILLOW BLOCKS**



**CROSS-REFERENCE CHART**

| Shaft Size<br>" | Westward Parts |         | Boston      |            | Dodge       |              | Fafnir      |             |              |             | Hub City          |                   | McGill        | PTC       |           | Sealmaster  |               |                 | SKF          |
|-----------------|----------------|---------|-------------|------------|-------------|--------------|-------------|-------------|--------------|-------------|-------------------|-------------------|---------------|-----------|-----------|-------------|---------------|-----------------|--------------|
|                 | VPS (3)        | VPE (2) | H (2)       | SH (3)     | SC (3)      | SXR (2)      | LAS (2)     | RAS (2)     | RASC (3)     | TAS (2)     | PB221HW (2)       | PB251HW (3)       | C-25 (3)      | P3-Y (2)  | P3-U (3)  | Gold NP (3) | Silver RP (3) | Silver RP-E (2) | SY-TM (2)    |
| 1/2             | VPS208         | VPE208  | 3H-1/2      | SH-1/2     | SC-1/2*     | SXR-1/2*     | LAS-1/2     | RAS-1/2     | RASC-1/2     | TAS-1/2     | PB221 X 1/2HW     | PB251 X 1/2HW     | C-25-1/2      | P3-Y2B08N | P3-U2B08N | NP-8        | RP-8          | RP-8E           | SY 1/2TM     |
| 5/8             | VPS210         | VPE210  | 3H-5/8      | SH-5/8     | SC-5/8      | SXR-5/8*     | LAS-5/8     | RAS-5/8     | RASC-5/8     | TAS-5/8     | PB221 X 5/8HW     | PB251 X 5/8HW     | C-25-5/8      | P3-Y210N  | P3-U210N  | NP-10       | RP-10         | RP-10E          | SY 5/8TM     |
| 3/4             | VPS212         | VPE212  | 4H-3/4      | SH-3/4     | SC-3/4      | SXR-3/4      | LAS-3/4     | RAS-3/4     | RASC-3/4     | TAS-3/4     | PB221 X 3/4HW     | PB251 X 3/4HW     | C-25-3/4      | P3-Y212N  | P3-U212N  | NP-12       | RP-12         | RP-12E          | SY 3/4TM     |
| 7/8             | VPS214         | VPE214  | 5H-7/8      | SH-7/8     | SC-7/8      | SXR-7/8      | LAS-7/8     | RAS-7/8     | RASC-7/8     | TAS-7/8     | PB221 X 7/8HW     | PB251 X 7/8HW     | C-25-7/8      | P3-Y214N  | P3-U214N  | NP-14       | RP-14         | RP-14E          | SY 7/8TM     |
| 15/16           | VPS215         | VPE215  | 5H-15/16    | SH-15/16   | SC-15/16    | SXR-1 5/16   | LAS-15/16   | RAS-15/16   | RASC-15/16   | TAS-15/16   | PB221 X 15/16HW   | PB251 X 15/16HW   | C-25-15/16    | P3-Y215N  | P3-U215N  | NP-15       | RP-15         | RP-15E          | SY 15/16TM   |
| 1               | VPS216         | VPE216  | 5H-1        | SH-1       | SC-1        | SXR-1        | LAS-1       | RAS-1       | RASC-1       | TAS-1       | PB221 X 1HW       | PB251 X 1HW       | C-25-1        | P3-Y216N  | P3-U216N  | NP-16       | RP-16         | RP-16E          | SY1TM        |
| 1 1/8           | VPS218         | VPE218  | 6H-1 1/8    | SH-1 1/8   | SC-1 1/8    | SXR-1 1/8*   | LAS-1 1/8   | RAS-1 1/8   | RASC-1 1/8   | TAS-1 1/8   | PB221 X 1 1/8HW   | PB251 X 1 1/8HW   | C-25-1 1/8    | P3-Y218N  | P3-U218N  | NP-18       | RP-18         | RP-18E          | SY 1 1/8TM   |
| 1 3/16          | VPS219         | VPE219  | 6H-1 3/16   | SH-1 3/16  | SC-1 3/16   | SXR-1 3/16*  | LAS-1 3/16  | RAS-1 3/16  | RASC-1 3/16  | TAS-1 3/16  | PB221 X 1 3/16HW  | PB251 X 1 3/16HW  | C-25-1 3/16   | P3-Y219N  | P3-U219N  | NP-19       | RP-19         | RP-19E          | SY 1 3/16TM  |
| 1 1/4           | VPS220S        | VPE220S | 6H-1 1/4S   | SH-1 1/4S  | -           | -            | -           | -           | -            | -           | PB221 X 1 1/4SHW  | PB251 X 1 1/4HW   | C-25-1 1/4S   | P3-Y2E20N | P3-U2E20N | NP-20R      | RP-20R        | RP-20RE         | SY 1 1/4ATM  |
| 1 1/4           | VPS220         | VPE220  | 7H-1 1/4    | SH-1 1/4   | SC-1 1/4    | SXR-1 1/4    | LAS-1 1/4   | RAS-1 1/4   | RASC-1 1/4   | TAS-1 1/4   | PB221 X 1 1/4HW   | PB251 X 1 1/4SHW  | C-25-1 1/4    | P3-Y220N  | P3-U220N  | NP-20       | RP-20         | RP-20E          | SY 1 1/4TM   |
| 1 3/8           | VPS222         | VPE222  | 7H-1 3/8    | SH-1 3/8   | SC-1 3/8    | SXR-1 3/8    | LAS-1 3/8   | RAS-1 3/8   | RASC-1 3/8   | TAS-1 3/8   | PB221 X 1 3/8HW   | PB251 X 1 3/8HW   | C-25-1 3/8    | P3-Y222N  | P3-U222N  | NP-22       | RP-22         | RP-22E          | SY 1 3/8TM   |
| 1 7/16          | VPS223         | VPE223  | 7H-1 7/16   | SH-1 7/16  | SC-1 7/16   | SXR-1 7/16   | LAS-1 7/16  | RAS-1 7/16  | RASC-1 7/16  | TAS-1 7/16  | PB221 X 1 7/16HW  | PB251 X 1 7/16HW  | C-25-1 7/16   | P3-Y223N  | P3-U223N  | NP-23       | RP-23         | RP-23E          | SY 1 7/16TM  |
| 1 1/2           | VPS224         | VPE224  | 8H-1 1/2    | SH-1 1/2   | SC-1 1/2    | SXR-1 1/2*   | LAS-1 1/2*  | RAS-1 1/2*  | RASC-1 1/2*  | TAS-1 1/2*  | PB221 X 1 1/2HW   | PB251 X 1 1/2HW   | C-25-1 1/2*   | P3-Y224N  | P3-U224N  | NP-24       | RP-24         | RP-24E          | SY 1 1/2TM   |
| 1 5/8           | VPS226         | VPE226  | 9H-1 5/8    | SH-1 5/8   | SC-1 5/8    | SXR-1 5/8    | LAS-1 5/8   | RAS-1 5/8   | RASC-1 5/8   | TAS-1 5/8   | PB221 X 1 5/8HW   | PB251 X 1 5/8HW   | C-25-1 5/8    | P3-Y226N  | P3-U226N  | NP-26       | RP-26         | RP-26E          | SY 1 5/8TM   |
| 1 11/16         | VPS227         | VPE227  | 9H-1 11/16  | SH-1 11/16 | SC-1 11/16  | SXR-1 11/16  | LAS-1 11/16 | RAS-1 11/16 | RASC-1 11/16 | TAS-1 11/16 | PB221 X 1 11/16HW | PB251 X 1 11/16HW | C-25-1 11/16  | P3-Y227N  | P3-U227N  | NP-27       | RP-27         | RP-27E          | SY 1 11/16TM |
| 1 3/4           | VPS228         | VPE228  | 9H-1 3/4    | SH-1 3/4   | SC-1 3/4    | SXR-1 3/4    | LAS-1 3/4   | RAS-1 3/4   | RASC-1 3/4   | TAS-1 3/4   | PB221 X 1 3/4HW   | PB251 X 1 3/4HW   | C-25-1 3/4    | P3-Y228N  | P3-U228N  | NP-28       | RP-28         | RP-28E          | SY 1 3/4TM   |
| 1 15/16         | VPS231         | VPE231  | 10H-1 15/16 | SH-1 15/16 | SC-1 15/16  | SXR-1 15/16  | LAS-1 15/16 | RAS-1 15/16 | RASC-1 15/16 | TAS-1 15/16 | PB221 X 1 15/16HW | PB251 X 1 15/16HW | C-25-1 15/16  | P3-Y231N  | P3-U231N  | NP-31       | RP-31         | RP-31E          | SY 1 15/16TM |
| 2               | VPS232         | VPE232  | 11H-2       | SH-2       | SC-2*       | SXR-2        | LAS-2       | RAS-2       | RASC-2       | TAS-2       | PB221 X 2HW       | PB251 X 2HW       | C-25-2L       | P3-Y232N  | P3-U232N  | NP-32       | RP-32         | RP-32E          | SY2TM        |
| 2 3/16          | VPS235         | VPE235  | 11H-2 3/16  | SH-2 3/16  | SC-2 3/16   | SXR-2 3/16   | LAS-2 3/16  | RAS-2 3/16  | RASC-2 3/16  | TAS-2 3/16  | PB221 X 2 3/16HW  | PB251 X 2 3/16HW  | C-25-2 3/16   | P3-Y235N  | P3-U235N  | NP-35       | RP-35         | RP-35E          | SY2 3/16TM   |
| 2 1/4           | VPS236         | VPE236  | 12H-2 1/4   | SH-2 1/4   | SC-2 1/4*   | SXR-2 1/4    | LAS-2 1/4   | RAS-2 1/4   | RASC-2 1/4   | TAS-2 1/4   | PB221 X 2 1/4HW   | PB251 X 2 1/4HW   | C-25-2 1/4    | P3-Y236N  | P3-U236N  | NP-36       | RP-36         | RP-36E          | SY 2 1/4TM   |
| 2 7/16          | VPS239         | VPE239  | 12H-2 7/16  | SH-2 7/16  | SC-2 7/16   | SXR-2 7/16   | LAS-2 7/16  | RAS-2 7/16  | RASC-2 7/16  | TAS-2 7/16  | PB221 X 2 7/16HW  | PB251 X 2 7/16HW  | C-25-2 7/16   | P3-Y239N  | P3-U239N  | NP-39       | RP-39         | RP-39E          | SY 2 7/16TM  |
| 2 15/16         | VPS247         | VPE247  | -           | -          | SC-2 15/16* | SXR-2 15/16* | LAS-2 15/16 | RAS-2 15/16 | RASC-2 15/16 | TAS-2 15/16 | -                 | PB251 X 2 1/2HW   | C-25-2 15/16* | -         | -         | -           | -             | RP-43E          | SY 2 15/16TM |

## 200 SERIES TWO HOLE FLANGE BLOCKS



## Normal Duty - 2 Hole - Setscrew Lock

| PART NO.     | SHAFT SIZE (") | B        | C        | D       | E        | H      | J     | K        | L        | M        | S        | WT (LBS) |
|--------------|----------------|----------|----------|---------|----------|--------|-------|----------|----------|----------|----------|----------|
| BED VF2S208  | 1/2"           | 3 7/8"   | 3 1/32"  | 2 1/8"  | 3"       | 3/8"   | 3/8"  | 23/32"   | 1 3/32"  | 5/8"     | 1 1/32"  | 1.0      |
| BED VF2S210  | 5/8"           | 3 7/8"   | 3 1/32"  | 2 1/8"  | 3        | 3/8"   | 3/8"  | 23/32"   | 1 3/32"  | 5/8"     | 1 1/32"  | 1.0      |
| BED VF2S212  | 3/4"           | 4 13/32" | 1 9/64"  | 2 1/2"  | 3 17/32" | 7/16"  | 3/8"  | 57/64"   | 1 9/32"  | 23/32"   | 1 7/32"  | 1.2      |
| BED VF2S214  | 7/8"           | 4 7/8"   | 1 11/32" | 2 3/4"  | 3 57/64" | 1/2"   | 7/16" | 61/64"   | 1 7/16"  | 13/16"   | 1 3/8"   | 1.5      |
| BED VF2S215  | 15/16"         | 4 7/8"   | 1 11/32" | 2 3/4"  | 3 57/64" | 1/2"   | 7/16" | 61/64"   | 1 7/16"  | 13/16"   | 1 3/8"   | 1.5      |
| BED VF2S216  | 1"             | 4 7/8"   | 1 11/32" | 2 3/4"  | 3 57/64" | 1/2"   | 7/16" | 61/64"   | 1 7/16"  | 13/16"   | 1 3/8"   | 1.5      |
| BED VF2S218  | 1 1/8"         | 5 9/16"  | 1 19/32" | 3 1/8"  | 4 19/32" | 17/32" | 7/16" | 1 5/64"  | 1 9/16"  | 7/8"     | 1 1/2"   | 2.0      |
| BED VF2S219  | 1 3/16"        | 5 9/16"  | 1 19/32" | 3 1/8"  | 4 19/32" | 17/32" | 7/16" | 1 5/64"  | 1 9/16"  | 7/8"     | 1 1/2"   | 2.0      |
| BED VF2S220S | 1 1/4"         | 5 9/16"  | 1 19/32" | 3 1/8"  | 4 19/32" | 17/32" | 7/16" | 1 5/64"  | 1 9/16"  | 7/8"     | 1 1/2"   | 2.0      |
| BED VF2S220  | 1 1/4"         | 6 1/8"   | 1 7/8"   | 3 5/8"  | 5 1/8"   | 19/32" | 1/2"  | 1 5/32"  | 1 3/4"   | 1        | 1 11/16" | 2.6      |
| BED VF2S222  | 1 3/8"         | 6 1/8"   | 1 7/8"   | 3 5/8"  | 5 1/8"   | 19/32" | 1/2"  | 1 5/32"  | 1 3/4"   | 1        | 1 11/16" | 2.6      |
| BED VF2S223  | 1 7/16"        | 6 1/8"   | 1 7/8"   | 3 5/8"  | 5 1/8"   | 19/32" | 1/2"  | 1 5/32"  | 1 3/4"   | 1        | 1 11/16" | 2.6      |
| BED VF2S224  | 1 1/2"         | 6 3/4"   | 2 5/64"  | 4 1/8"  | 5 21/32" | 5/8"   | 1/2"  | 1 19/64" | 2 1/64"  | 1 3/16"  | 1 15/16" | 3.5      |
| BED VF2S226  | 1 5/8"         | 7 1/16"  | 2 1/4"   | 4 3/8"  | 5 27/32" | 5/8"   | 1/2"  | 1 21/64" | 2 3/64"  | 1 3/16"  | 1 15/16" | 4.1      |
| BED VF2S227  | 1 11/16"       | 7 1/16"  | 2 1/4"   | 4 3/8"  | 5 27/32" | 5/8"   | 1/2"  | 1 21/64" | 2 3/64"  | 1 3/16"  | 1 15/16" | 4.1      |
| BED VF2S228  | 1 3/4"         | 7 1/16"  | 2 1/4"   | 4 3/8"  | 5 27/32" | 5/8"   | 1/2"  | 1 21/64" | 2 3/64"  | 1 3/16"  | 1 15/16" | 4.1      |
| BED VF2S231  | 1 15/16"       | 7 7/16"  | 2 15/32" | 4 9/16" | 6 3/16"  | 5/8"   | 1/2"  | 1 23/64" | 2 5/32"  | 1 9/32"  | 2 1/32"  | 4.8      |
| BED VF2S232  | 2"             | 8 1/2"   | 2 25/32" | 5 1/4"  | 7 1/4"   | 13/16" | 5/8"  | 1 33/64" | 2 5/16"  | 1 5/16"  | 2 3/16"  | 6.8      |
| BED VF2S235  | 2 3/16"        | 8 1/2"   | 2 25/32" | 5 1/4"  | 7 1/4"   | 13/16" | 5/8"  | 1 33/64" | 2 5/16"  | 1 5/16"  | 2 3/16"  | 6.8      |
| BED VF2S236  | 2 1/4"         | 9 1/4"   | 3 1/16"  | 5 7/16" | 7 15/16" | 13/16" | 5/8"  | 1 11/16" | 2 11/16" | 1 9/16"  | 2 9/16"  | 8.8      |
| BED VF2S239  | 2 7/16"        | 9 1/4"   | 3 1/16"  | 5 7/16" | 7 15/16" | 13/16" | 5/8"  | 1 11/16" | 2 11/16" | 1 9/16"  | 2 9/16"  | 8.8      |
| BED VF2S243  | 2 11/16"       | 10 1/8"  | 3 27/64" | 6 1/8"  | 8 5/16"  | 13/16" | 5/8"  | 1 49/64" | 2 7/8"   | 1 11/16" | 2 3/4"   | 12.0     |
| BED VF2S247  | 2 15/16"       | 10 1/2"  | 3 19/32" | 6 1/2"  | 8 31/64" | 1"     | 3/4"  | 2 3/64"  | 3 3/16"  | 1 3/4"   | 3 1/16"  | 14.0     |

## Normal Duty - 2 Hole - Eccentric Lock

| PART NO.     | SHAFT SIZE (") | B        | C        | D       | E        | H      | J     | K        | L        | M        | S        | WT (LBS) |
|--------------|----------------|----------|----------|---------|----------|--------|-------|----------|----------|----------|----------|----------|
| BED VF2E208  | 1/2"           | 3 7/8"   | 1 1/8"   | 2 3/8"  | 3"       | 1/2"   | 3/8"  | 1 1/32"  | 1 43/64" | 59/64"   | 1 15/32" | 1.1      |
| BED VF2E210  | 5/8"           | 3 7/8"   | 1 1/8"   | 2 3/8"  | 3        | 1/2"   | 3/8"  | 1 1/32"  | 1 43/64" | 59/64"   | 1 15/32" | 1.1      |
| BED VF2E212  | 3/4"           | 4 13/32" | 1 5/16"  | 2 3/8"  | 3 17/32" | 1/2"   | 3/8"  | 1 5/64"  | 1 51/64" | 1 3/64"  | 1 23/32" | 1.3      |
| BED VF2E214  | 7/8"           | 4 7/8"   | 1 1/2"   | 2 3/4"  | 3 57/64" | 17/32" | 7/16" | 1 5/64"  | 1 13/16" | 1 1/16"  | 1 3/4"   | 1.6      |
| BED VF2E215  | 15/16"         | 4 7/8"   | 1 1/2"   | 2 3/4"  | 3 57/64" | 17/32" | 7/16" | 1 5/64"  | 1 13/16" | 1 1/16"  | 1 3/4"   | 1.6      |
| BED VF2E216  | 1"             | 4 7/8"   | 1 1/2"   | 2 3/4"  | 3 57/64" | 17/32" | 7/16" | 1 5/64"  | 1 13/16" | 1 1/16"  | 1 3/4"   | 1.6      |
| BED VF2E218  | 1 1/8"         | 5 9/16"  | 1 3/4"   | 3 1/8"  | 4 19/32" | 17/32" | 7/16" | 1 13/64" | 2        | 1 3/16"  | 1 29/32" | 2.2      |
| BED VF2E219  | 1 3/16"        | 5 9/16"  | 1 3/4"   | 3 1/8"  | 4 19/32" | 17/32" | 7/16" | 1 13/64" | 2        | 1 3/16"  | 1 29/32" | 2.2      |
| BED VF2E220S | 1 1/4"         | 5 9/16"  | 1 3/4"   | 3 1/8"  | 4 19/32" | 17/32" | 7/16" | 1 13/64" | 2        | 1 3/16"  | 1 29/32" | 2.2      |
| BED VF2E220  | 1 1/4"         | 6 1/8"   | 2 3/16"  | 3 5/8"  | 5 1/8"   | 5/8"   | 1/2"  | 1 1/4"   | 2 1/8"   | 1 9/32"  | 2 1/64"  | 3.0      |
| BED VF2E222  | 1 3/8"         | 6 1/8"   | 2 3/16"  | 3 5/8"  | 5 1/8"   | 5/8"   | 1/2"  | 1 1/4"   | 2 1/8"   | 1 9/32"  | 2 1/64"  | 3.0      |
| BED VF2E223  | 1 7/16"        | 6 1/8"   | 2 3/16"  | 3 5/8"  | 5 1/8"   | 5/8"   | 1/2"  | 1 1/4"   | 2 1/8"   | 1 9/32"  | 2 1/64"  | 3.0      |
| BED VF2E224  | 1 1/2"         | 6 3/4"   | 2 3/8"   | 4 1/8"  | 5 21/32" | 5/8"   | 1/2"  | 1 13/32" | 2 5/16"  | 1 3/8"   | 2 7/32"  | 4.0      |
| BED VF2E226  | 1 5/8"         | 7 1/16"  | 2 1/2"   | 4 3/8"  | 5 27/32" | 5/8"   | 9/16" | 1 13/32" | 2 5/16"  | 1 3/8"   | 2 7/32"  | 4.6      |
| BED VF2E227  | 1 11/16"       | 7 1/16"  | 2 1/2"   | 4 3/8"  | 5 27/32" | 5/8"   | 9/16" | 1 13/32" | 2 5/16"  | 1 3/8"   | 2 7/32"  | 4.6      |
| BED VF2E228  | 1 3/4"         | 7 1/16"  | 2 1/2"   | 4 3/8"  | 5 27/32" | 5/8"   | 9/16" | 1 13/32" | 2 5/16"  | 1 3/8"   | 2 7/32"  | 4.6      |
| BED VF2E231  | 1 15/16"       | 7 7/16"  | 2 3/4"   | 4 9/16" | 6 3/16"  | 11/16" | 9/16" | 1 39/64" | 2 5/8"   | 1 1/2"   | 2 15/32" | 5.5      |
| BED VF2E232  | 2"             | 8 1/2"   | 3        | 5 1/4"  | 7 1/4"   | 13/16" | 5/8"  | 1 49/64" | 2 31/32" | 1 23/32" | 2 13/16" | 7.7      |
| BED VF2E235  | 2 3/16"        | 8 1/2"   | 3        | 5 1/4"  | 7 1/4"   | 13/16" | 5/8"  | 1 49/64" | 2 31/32" | 1 23/32" | 2 13/16" | 7.7      |
| BED VF2E236  | 2 1/4"         | 9 1/4"   | 3 5/16"  | 5 7/16" | 7 15/16" | 13/16" | 5/8"  | 1 31/32" | 3 1/4"   | 1 27/32" | 3 1/16"  | 9.9      |
| BED VF2E239  | 2 7/16"        | 9 1/4"   | 3 5/16"  | 5 7/16" | 7 15/16" | 13/16" | 5/8"  | 1 31/32" | 3 1/4"   | 1 27/32" | 3 1/16"  | 9.9      |
| BED VF2E243  | 2 11/16"       | 10 1/8"  | 3 13/16" | 6 1/8"  | 8 5/16"  | 13/16" | 5/8"  | 2 3/64"  | 3 1/2"   | 2 1/32"  | 3 3/8"   | 13.0     |
| BED VF2E247  | 2 15/16"       | 10 1/2"  | 4 1/64"  | 6 1/2"  | 8 31/64" | 1"     | 3/4"  | 2 15/64" | 3 25/32" | 2 5/32"  | 3 5/8"   | 15.0     |



**200 SERIES FOUR HOLE FLANGE BLOCKS**



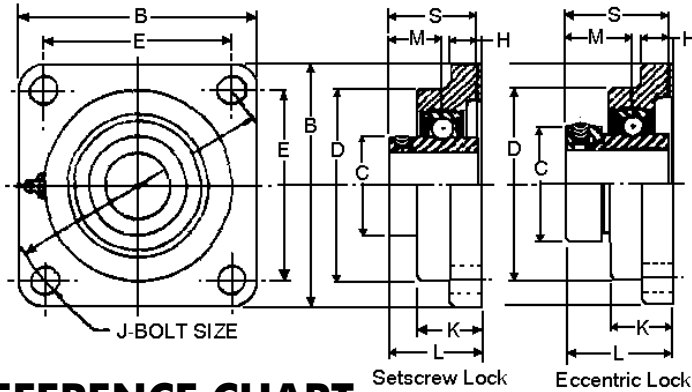
**Normal Duty Flange - 4 Hole - Setscrew Lock**

| PART NO.     | SHAFT SIZE (") | B     | B.C.    | C       | D      | E      | H     | J    | K       | L       | M       | S       | WT (LBS) |
|--------------|----------------|-------|---------|---------|--------|--------|-------|------|---------|---------|---------|---------|----------|
| BED VF4S208  | 1/2"           | 3"    | 3"      | 31/32"  | 2 1/8" | 2 1/8" | 3/8"  | 3/8" | 23/32"  | 1 3/32" | 5/8"    | 1 1/32" | 1.1      |
| BED VF4S210  | 5/8            | 3     | 3       | 31/32   | 2 1/8  | 2 1/8  | 3/8   | 3/8  | 23/32   | 1 3/32  | 5/8     | 1 1/32  | 1.1      |
| BED VF4S212  | 3/4            | 3 3/8 | 3 17/32 | 1 9/64  | 2 1/2  | 2 1/2  | 7/16  | 3/8  | 57/64   | 1 9/32  | 23/32   | 1 7/32  | 1.3      |
| BED VF4S214  | 7/8            | 3 3/4 | 3 57/64 | 1 11/32 | 2 3/4  | 2 3/4  | 1/2   | 7/16 | 61/64   | 1 7/16  | 13/16   | 1 3/8   | 1.8      |
| BED VF4S215  | 15/16          | 3 3/4 | 3 57/64 | 1 11/32 | 2 3/4  | 2 3/4  | 1/2   | 7/16 | 61/64   | 1 7/16  | 13/16   | 1 3/8   | 1.8      |
| BED VF4S216  | 1              | 3 3/4 | 3 57/64 | 1 11/32 | 2 3/4  | 2 3/4  | 1/2   | 7/16 | 61/64   | 1 7/16  | 13/16   | 1 3/8   | 1.8      |
| BED VF4S218  | 1 1/8          | 4 1/4 | 4 19/32 | 1 19/32 | 3 1/8  | 3 1/4  | 17/32 | 7/16 | 1 5/64  | 1 9/16  | 7/8     | 1 1/2   | 2.2      |
| BED VF4S219  | 1 3/16         | 4 1/4 | 4 19/32 | 1 19/32 | 3 1/8  | 3 1/4  | 17/32 | 7/16 | 1 5/64  | 1 9/16  | 7/8     | 1 1/2   | 2.2      |
| BED VF4S220S | 1 1/4          | 4 1/4 | 4 19/32 | 1 19/32 | 3 1/8  | 3 1/4  | 17/32 | 7/16 | 1 5/64  | 1 9/16  | 7/8     | 1 1/2   | 2.2      |
| BED VF4S220  | 1 1/4          | 4 5/8 | 5 1/8   | 1 7/8   | 3 5/8  | 3 5/8  | 19/32 | 1/2  | 1 5/32  | 1 3/4   | 1       | 1 11/16 | 3.1      |
| BED VF4S222  | 1 3/8          | 4 5/8 | 5 1/8   | 1 7/8   | 3 5/8  | 3 5/8  | 19/32 | 1/2  | 1 5/32  | 1 3/4   | 1       | 1 11/16 | 3.1      |
| BED VF4S223  | 1 7/16         | 4 5/8 | 5 1/8   | 1 7/8   | 3 5/8  | 3 5/8  | 19/32 | 1/2  | 1 5/32  | 1 3/4   | 1       | 1 11/16 | 3.1      |
| BED VF4S224  | 1 1/2          | 5 1/8 | 5 21/32 | 2 5/64  | 4 1/8  | 4      | 5/8   | 1/2  | 1 19/64 | 2 1/64  | 1 3/16  | 1 15/16 | 4.0      |
| BED VF4S226  | 1 5/8          | 5 3/8 | 5 27/32 | 2 1/4   | 4 3/8  | 4 1/8  | 5/8   | 1/2  | 1 21/64 | 2 3/64  | 1 3/16  | 1 15/16 | 4.9      |
| BED VF4S227  | 1 11/16        | 5 3/8 | 5 27/32 | 2 1/4   | 4 3/8  | 4 1/8  | 5/8   | 1/2  | 1 21/64 | 2 3/64  | 1 3/16  | 1 15/16 | 4.9      |
| BED VF4S228  | 1 3/4          | 5 3/8 | 5 27/32 | 2 1/4   | 4 3/8  | 4 1/8  | 5/8   | 1/2  | 1 21/64 | 2 3/64  | 1 3/16  | 1 15/16 | 4.9      |
| BED VF4S231  | 1 15/16        | 5 5/8 | 6 3/16  | 2 15/32 | 4 9/16 | 4 3/8  | 5/8   | 1/2  | 1 23/64 | 2 5/32  | 1 9/32  | 2 1/32  | 5.3      |
| BED VF4S232  | 2              | 6 3/8 | 7 1/4   | 2 25/32 | 5 1/4  | 5 1/8  | 13/16 | 5/8  | 1 33/64 | 2 5/16  | 1 5/16  | 2 3/16  | 7.9      |
| BED VF4S235  | 2 3/16         | 6 3/8 | 7 1/4   | 2 25/32 | 5 1/4  | 5 1/8  | 13/16 | 5/8  | 1 33/64 | 2 5/16  | 1 5/16  | 2 3/16  | 7.9      |
| BED VF4S236  | 2 1/4          | 6 7/8 | 7 15/16 | 3 1/16  | 5 7/16 | 5 5/8  | 13/16 | 5/8  | 1 11/16 | 2 11/16 | 1 9/16  | 2 9/16  | 9.7      |
| BED VF4S239  | 2 7/16         | 6 7/8 | 7 15/16 | 3 1/16  | 5 7/16 | 5 5/8  | 13/16 | 5/8  | 1 11/16 | 2 11/16 | 1 9/16  | 2 9/16  | 9.7      |
| BED VF4S243  | 2 11/16        | 7 3/8 | 8 5/16  | 3 27/64 | 6 1/8  | 5 7/8  | 13/16 | 5/8  | 1 49/64 | 2 7/8   | 1 11/16 | 2 3/4   | 13.0     |
| BED VF4S247  | 2 15/16        | 7 3/4 | 8 31/64 | 3 19/32 | 6 1/2  | 6      | 1     | 3/4  | 2 3/84  | 3 3/16  | 1 3/4   | 3 1/16  | 15.0     |

**Normal Duty Flange Blocks - 4 Hole - Eccentric Lock**

| PART NO.     | SHAFT SIZE (") | B     | B.C.    | C       | D      | E      | H     | J    | K       | L        | M       | S        | WT (LBS) |
|--------------|----------------|-------|---------|---------|--------|--------|-------|------|---------|----------|---------|----------|----------|
| BED VF4E208  | 1/2"           | 3"    | 3"      | 1 1/8"  | 2 1/8" | 2 1/8" | 1/2"  | 3/8" | 7/8"    | 1 33/64" | 59/64"  | 1 15/32" | 1.5      |
| BED VF4E210  | 5/8            | 3     | 3       | 1 1/8   | 2 1/8  | 2 1/8  | 1/2   | 3/8  | 7/8     | 1 33/64  | 59/64   | 1 15/32  | 1.5      |
| BED VF4E212  | 3/4            | 3 3/8 | 3 17/32 | 1 5/16  | 2 1/2  | 2 1/2  | 1/2   | 3/8  | 1 5/64  | 1 51/64  | 1 3/64  | 1 23/32  | 1.8      |
| BED VF4E214  | 7/8            | 3 3/4 | 3 57/64 | 1 1/2   | 2 3/4  | 2 3/4  | 9/16  | 7/16 | 1 7/64  | 1 27/32  | 1 1/16  | 1 3/4    | 2        |
| BED VF4E215  | 15/16          | 3 3/4 | 3 57/64 | 1 1/2   | 2 3/4  | 2 3/4  | 9/16  | 7/16 | 1 7/64  | 1 27/32  | 1 1/16  | 1 3/4    | 2        |
| BED VF4E216  | 1              | 3 3/4 | 3 57/64 | 1 1/2   | 2 3/4  | 2 3/4  | 9/16  | 7/16 | 1 7/64  | 1 27/32  | 1 1/16  | 1 3/4    | 2        |
| BED VF4E218  | 1 1/8          | 4 1/4 | 4 19/32 | 1 3/4   | 3 1/8  | 3 1/4  | 5/8   | 7/16 | 1 13/64 | 2        | 1 1/16  | 1 29/32  | 2.9      |
| BED VF4E219  | 1 3/16         | 4 1/4 | 4 19/32 | 1 3/4   | 3 1/8  | 3 1/4  | 5/8   | 7/16 | 1 13/64 | 2        | 1 3/16  | 1 29/32  | 2.9      |
| BED VF4E220S | 1 1/4          | 4 1/4 | 4 19/32 | 1 3/4   | 3 1/8  | 3 1/4  | 5/8   | 7/16 | 1 13/64 | 2        | 1 3/16  | 1 29/32  | 2.9      |
| BED VF4E220  | 1 1/4          | 4 5/8 | 5 1/8   | 2 3/16  | 3 5/8  | 3 5/8  | 21/32 | 1/2  | 1 1/4   | 2 1/8    | 1 9/32  | 2 1/64   | 4        |
| BED VF4E222  | 1 3/8          | 4 5/8 | 5 1/8   | 2 3/16  | 3 5/8  | 3 5/8  | 21/32 | 1/2  | 1 1/4   | 2 1/8    | 1 9/32  | 2 1/64   | 4        |
| BED VF4E223  | 1 7/16         | 4 5/8 | 5 1/8   | 2 3/16  | 3 5/8  | 3 5/8  | 21/32 | 1/2  | 1 1/4   | 2 1/8    | 1 9/32  | 2 1/64   | 4        |
| BED VF4E224  | 1 1/2          | 5 1/8 | 5 21/32 | 2 3/8   | 4 1/8  | 4      | 11/16 | 1/2  | 1 13/32 | 2 5/16   | 1 3/8   | 2 7/32   | 4.6      |
| BED VF4E226  | 1 5/8          | 5 3/8 | 5 27/32 | 2 1/2   | 4 3/8  | 4 1/8  | 11/16 | 1/2  | 1 13/32 | 2 5/16   | 1 3/8   | 2 7/32   | 5.5      |
| BED VF4E227  | 1 11/16        | 5 3/8 | 5 27/32 | 2 1/2   | 4 3/8  | 4 1/8  | 11/16 | 1/2  | 1 13/32 | 2 5/16   | 1 3/8   | 2 7/32   | 5.5      |
| BED VF4E228  | 1 3/4          | 5 3/8 | 5 27/32 | 2 1/2   | 4 3/8  | 4 1/8  | 11/16 | 1/2  | 1 13/32 | 2 5/16   | 1 3/8   | 2 7/32   | 5.5      |
| BED VF4E231  | 1 15/16        | 5 3/8 | 6 3/16  | 2 3/4   | 4 9/16 | 4 3/8  | 23/32 | 1/2  | 1 39/64 | 2 5/8    | 1 1/2   | 2 15/32  | 6.4      |
| BED VF4E232  | 2              | 6 3/8 | 7 1/4   | 3       | 5 1/4  | 5 1/8  | 25/32 | 5/8  | 1 49/64 | 2 31/32  | 1 23/32 | 2 13/16  | 9.3      |
| BED VF4E235  | 2 3/16         | 6 3/8 | 7 1/4   | 3       | 5 1/4  | 5 1/8  | 25/32 | 5/8  | 1 49/64 | 2 31/32  | 1 23/32 | 2 13/16  | 9.3      |
| BED VF4E236  | 2 1/4          | 6 7/8 | 7 15/16 | 3 5/16  | 5 7/16 | 5 5/8  | 13/16 | 5/8  | 1 31/32 | 3 1/4    | 1 27/32 | 3 1/16   | 11       |
| BED VF4E239  | 2 7/16         | 6 7/8 | 7 15/16 | 3 15/16 | 5 7/16 | 5 5/8  | 13/16 | 5/8  | 1 31/32 | 3 1/4    | 1 27/32 | 3 1/16   | 11       |
| BED VF4E243  | 2 11/16        | 7 3/8 | 8 5/16  | 3 13/16 | 6 1/8  | 5 7/8  | 13/16 | 5/8  | 2 3/64  | 3 1/2    | 2 1/32  | 3 3/8    | 13       |
| BED VF4E247  | 2 15/16        | 7 3/4 | 8 31/64 | 4 1/64  | 6 1/2  | 6      | 1     | 3/4  | 2 15/64 | 3 28/32  | 2 5/32  | 3 5/8    | 17       |

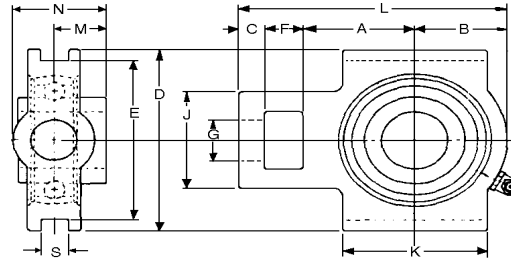
**200 SERIES FOUR HOLE FLANGE BLOCKS**



**CROSS-REFERENCE CHART**

| Shaft Size | Westward Parts |           | Boston      |            | Dodge       |             | Fafnir      |             |              |             | Hub City          |                   | McGill         | PTC        |            | Sealmaster |              |                | SKF           |              |
|------------|----------------|-----------|-------------|------------|-------------|-------------|-------------|-------------|--------------|-------------|-------------------|-------------------|----------------|------------|------------|------------|--------------|----------------|---------------|--------------|
|            | VF4S (3)       | VF4E (2)  | F (2)       | SF (3)     | SC4 (3)     | SX4 (2)     | LCJ (2)     | RCJ (2)     | RCJC (3)     | TCJ (2)     | FB220HW (2)       | FB250HW (3)       | FC4-25 (3)     | F3-Y (2)   | F3-U (3)   | Gold SF(3) | Silver RF(3) | Silver RF-E(2) | FY-TM (2)     | FY-WM (2)    |
| 1/2"       | VF4S208        | VF4E208   | 3F-1/2      | SF-1/2     | SC4-1/2     | SX4-1/2     | LCJ-1/2     | RCJ-1/2     | RCJC-1/2     | TCJ-1/2     | FB220 X 1/2HW     | FB250 X 1/2HW     | FC4-25-1/2     | F3-Y2 B08N | F3-U2 B08N | SF-8       | RF-8         | RF-8E          | FY1/2TM       | -            |
| 5/8        | VF4S210        | VF4E210   | 3F-5/8      | SF-5/8     | SC4-5/8     | SX4-5/8     | LCJ-5/8     | RCJ-5/8     | RCJC-5/8     | TCJ-5/8     | FB220 X 5/8HW     | FB250 X 5/8HW     | FC4-25-5/8     | F3-Y210N   | F3-U210N   | SF-10      | RF-10        | RF-10E         | FY5/8TM       | -            |
| 3/4        | VF4S212        | VF4E212   | 4F-3/4      | SF-3/4     | SC4-3/4     | SX4-3/4     | LCJ-3/4     | RCJ-3/4     | RCJC-3/4     | TCJ-3/4     | FB220 X 3/4HW     | FB250 X 3/4HW     | FC4-25-3/4     | F3-Y212N   | F3-U212N   | SF-12      | RF-12        | RF-12E         | FY3/4TM       | FY 3/4WM     |
| 7/8        | VF4S214        | VF4E214   | 5F-7/8      | SF-7/8     | SC4-7/8     | SX4-7/8     | LCJ-7/8     | RCJ-7/8     | RCJC-7/8     | TCJ-7/8     | FB220 X 7/8HW     | FB250 X 7/8HW     | FC4-25-7/8     | F3-Y214N   | F3-U214N   | SF-14      | RF-14        | RF-14E         | FY7/8TM       | FY 7/8WM     |
| 15/16      | VF4S215        | VF4E215   | 5F-15/16    | SF-15/16   | SC4-15/16   | SX4-15/16   | LCJ-15/16   | RCJ-15/16   | RCJC-15/16   | TCJ-15/16   | FB220 X 15/16HW   | FB250 X 15/16HW   | FC4-25-15/16   | F3-Y215N   | F3-U215N   | SF-15      | RF-15        | RF-15E         | FY15/16TM     | FY 15/16WM   |
| 1          | VF4S216        | VF4E216   | 5F-1        | SF-1       | SC4-1       | SX4-1       | LCJ-1       | RCJ-1       | RCJC-1       | TCJ-1       | FB220 X 1HW       | FB250 X 1HW       | FC4-25-1       | F3-Y216N   | F3-U216N   | SF-16      | RF-16        | RF-16E         | FY1TM         | FY1WM        |
| 1 1/8      | VF4S218        | VF4E218   | 6F-1 1/8    | SF-1 1/8   | SC4-1 1/8   | SX4-1 1/8   | LCJ-1 1/8   | RCJ-1 1/8   | RCJC-1 1/8   | TCJ-1 1/8   | FB220 X 1 1/8HW   | FB250 X 1 1/8HW   | FC4-25-1 1/8   | F3-Y218N   | F3-U218N   | SF-18      | RF-18        | RF-18E         | FY1 1/8TM     | FY 1 1/8WM   |
| 1 3/16     | VF4S219        | VF4E219   | 6F-1 3/16   | SF-1 3/16  | SC4-1 3/16  | SX4-1 3/16  | LCJ-1 3/16  | RCJ-1 3/16  | RCJC-1 3/16  | TCJ-1 3/16  | FB220 X 1 3/16HW  | FB250 X 1 3/16HW  | FC4-25-1 3/16  | F3-Y219N   | F3-U219N   | SF-19      | RF-19        | RF-19E         | FY 1 3/16TM   | FY 1 3/16WM  |
| 1 1/4      | VF4S 220S      | VF4E 220S | 6F-1 1/4    | SF-1 1/4S  | -           | -           | LCJ-1 1/4S  | RCJ-1 1/4S  | RCJC-1 1/4S  | TCJ-1 1/4S  | FB220 X 1 1/4SHW  | FB250 X 1 1/4SHW  | FC4-25-1 1/4S  | F3-Y2 E20N | F3-U2 E20N | SF-20R     | RF-20R       | RF-20RE        | FY 1 1/4ATM   | FY 1 1/4AWM  |
| 1 1/4      | VF4S220        | VF4E220   | 7F-1 1/4    | SF-1 1/4   | SC4-1 1/4   | SX4-1 1/4   | LCJ-1 1/4   | RCJ-1 1/4   | RCJC-1 1/4   | TCJ-1 1/4   | FB220 X 1 1/4HW   | FB250 X 1 1/4HW   | FC4-25-1 1/4   | F3-Y220N   | F3-U220N   | SF-20      | RF-20        | RF-20E         | FY1 1/4ATM    | FY 1 1/4WM   |
| 1 3/8      | VF4S222        | VF4E222   | 7F-1 3/8    | SF-1 3/8   | SC4-1 3/8   | SX4-1 3/8   | LCJ-1 3/8   | RCJ-1 3/8   | RCJC-1 3/8   | TCJ-1 3/8   | FB220 X 1 3/8HW   | FB250 X 1 3/8HW   | FC4-25-1 3/8   | F3-Y222N   | F3-U222N   | SF-22      | RF-22        | RF-22E         | FY1 3/8ATM    | FY 1 3/8WM   |
| 1 7/16     | VF4S223        | VF4E223   | 7F-1 7/16   | SF-1 7/16  | SC4-1 7/16  | SX4-1 7/16  | LCJ-1 7/16  | RCJ-1 7/16  | RCJC-1 7/16  | TCJ-1 7/16  | FB220 X 1 7/16HW  | FB250 X 1 7/16HW  | FC4-25-1 7/16  | F3-Y223N   | F3-U223N   | SF-23      | RF-23        | RF-23E         | FY 1 7/16TM   | FY 1 7/16WM  |
| 1 1/2      | VF4S224        | VF4E224   | 8F-1 1/2    | SF-1 1/2   | SC4-1 1/2   | SX4-1 1/2   | LCJ-1 1/2   | RCJ-1 1/2   | RCJC-1 1/2   | TCJ-1 1/2   | FB220 X 1 1/2HW   | FB250 X 1 1/2HW   | FC4-25-1 1/2   | F3-Y224N   | F3-U224N   | SF-24      | RF-24        | RF-24E         | FY1 1/2ATM    | FY 1 1/2WM   |
| 1 5/8      | VF4S226        | VF4E226   | 9F-1 5/8    | SF-1 5/8   | SC4-1 5/8*  | SX4-1 5/8   | LCJ-1 5/8   | RCJ-1 5/8   | RCJC-1 5/8   | TCJ-1 5/8   | FB220 X 1 5/8HW   | FB250 X 1 5/8HW   | FC4-25-1 5/8L  | F3-Y226N   | F3-U226N   | SF-26      | RF-26        | RF-26E         | FY1 5/8ATM    | FY 1 5/8WM   |
| 1 11/16    | VF4S227        | VF4E227   | 9F-1 11/16  | SF-1 11/16 | SC4-1 11/16 | SX4-1 11/16 | LCJ-1 11/16 | RCJ-1 11/16 | RCJC-1 11/16 | TCJ-1 11/16 | FB220 X 1 11/16HW | FB250 X 1 11/16HW | FC4-25-1 11/16 | F3-Y227N   | F3-U227N   | SF-27      | RF-27        | RF-27E         | FY 1 11/16ATM | FY 1 11/16WM |
| 1 3/4      | VF4S228        | VF4E228   | 9F-1 3/4    | SF-1 3/4   | SC4-1 3/4   | SX4-1 3/4   | LCJ-1 3/4   | RCJ-1 3/4   | RCJC-1 3/4   | TCJ-1 3/4   | FB220 X 1 3/4HW   | FB250 X 1 3/4HW   | FC4-25-1 3/4   | F3-Y228N   | F3-U228N   | SF-28      | RF-28        | RF-28E         | FY1 3/4ATM    | FY 1 3/4WM   |
| 1 15/16    | VF4S231        | VF4E231   | 10F-1 15/16 | SF-1 15/16 | SC4-1 15/16 | SX4-1 15/16 | LCJ-1 15/16 | RCJ-1 15/16 | RCJC-1 15/16 | TCJ-1 15/16 | FB220 X 1 15/16HW | FB250 X 1 15/16HW | FC4-25-1 15/16 | F3-Y231N   | F3-U231N   | SF-31      | RF-31        | RF-31E         | FY 1 15/16ATM | FY 1 15/16WM |
| 2          | VF4S232        | VF4E232   | 11F-2       | SF-2       | SC4-2*      | SX4-2*      | LCJ-2       | RCJ-2       | RCJC-2       | TCJ-2       | FB220 X 2HW       | FB250 X 2HW       | FC4-25-2L      | F3-Y232N   | F3-U232N   | SF-32      | RF-32        | RF-32E         | FY2TM         | FY2WM        |
| 2 3/16     | VF4S235        | VF4E235   | 11F-2 3/16  | SF-2 3/16  | SC4-2 3/16  | SX4-2 3/16  | LCJ-2 3/16  | RCJ-2 3/16  | RCJC-2 3/16  | TCJ-2 3/16  | FB220 X 2 3/16HW  | FB250 X 2 3/16HW  | FC4-25-2 3/16  | F3-Y235N   | F3-U235N   | SF-35      | RF-35        | RF-35E         | FY 2 3/16TM   | FY 2 3/16WM  |
| 2 1/4      | VF4S236        | VF4E236   | 12F-2 1/4   | SF-2 1/4   | SC4-2 1/4*  | SX4-2 1/4   | LCJ-2 1/4   | RCJ-2 1/4   | RCJC-2 1/4   | TCJ-2 1/4   | FB220 X 2 1/4HW   | FB250 X 2 1/4HW   | FC4-25-2 1/4L  | F3-Y236N   | F3-U236N   | SF-36      | RF-36        | RF-36E         | FY2 1/4ATM    | FY 2 1/4WM   |
| 2 7/16     | VF4S239        | VF4E239   | 12F-2 7/16  | SF-2 7/16  | SC4-2 7/16  | SX4-2 7/16  | LCJ-2 7/16  | RCJ-2 7/16  | RCJC-2 7/16  | TCJ-2 7/16  | FB220 X 2 7/16HW  | FB250 X 2 7/16HW  | FC4-25-2 7/16  | F3-Y239N   | F3-U239N   | SF-39      | RF-39        | RF-39E         | FY 2 7/16TM   | FY 2 7/16WM  |
| 2 11/16    | VF4S243        | VF4E243   | -           | -          | -           | -           | -           | -           | -            | -           | -                 | -                 | -              | -          | -          | -          | -            | RF-43E         | FY 2 11/16ATM | -            |
| 2 15/16    | VF4S247        | VF4E247   | -           | -          | SC4-2 15/16 | SX4-2 15/16 | LCJ-2 15/16 | RCJ-2 15/16 | RCJC-2 15/16 | TCJ-2 15/16 | -                 | FB250 X 2 15/16HW | FC4-25-2 15/16 | -          | F3-U247    | -          | -            | RF-47E         | FY 2 15/16ATM | -            |

**200 SERIES TAKE-UP UNITS**



**Normal Duty Take-up Units - Wide Slot - Setscrew Lock**

| PART NO.    | SHAFT SIZE (") | USE WITH FRAME NO. | A       | B       | C   | D     | E     | F   | G     | J     | K     | L       | M      | N       | S      | WT (LBS) |
|-------------|----------------|--------------------|---------|---------|-----|-------|-------|-----|-------|-------|-------|---------|--------|---------|--------|----------|
| BED VTWS208 | 1/2            | 1SF10              | 1 3/8   | 1 15/16 | 3/8 | 3 1/2 | 3     | 5/8 | 3/4   | 1 7/8 | 2     | 3 11/16 | 5/8    | 1 5/16  | 17/32  | 1.8      |
| BED VTWS210 | 5/8            | 1SF10              | 1 3/8   | 1 5/16  | 3/8 | 3 1/2 | 3     | 5/8 | 3/4   | 1 7/8 | 2     | 3 11/16 | 5/8    | 1 5/16  | 17/32  | 1.8      |
| BED VTWS212 | 3/4            | 3 to 9SF16         | 1 9/16  | 1 7/16  | 3/8 | 3 1/2 | 3     | 5/8 | 3/4   | 1 7/8 | 2 1/4 | 4       | 23/32  | 1 13/32 | 17/32  | 1.8      |
| BED VTWS214 | 7/8            | 3 to 9SF16         | 1 17/32 | 1 9/16  | 3/8 | 3 1/2 | 3     | 5/8 | 3/4   | 1 7/8 | 2 1/4 | 4 3/32  | 13/16  | 1 19/32 | 17/32  | 2.0      |
| BED VTWS215 | 15/16          | 3 to 9SF16         | 1 17/32 | 1 9/16  | 3/8 | 3 1/2 | 3     | 5/8 | 3/4   | 1 7/8 | 2 1/4 | 4 3/32  | 13/16  | 1 19/32 | 17/32  | 2.0      |
| BED VTWS216 | 1              | 3 to 9SF16         | 1 17/32 | 1 9/16  | 3/8 | 3 1/2 | 3     | 5/8 | 3/4   | 1 7/8 | 2 1/4 | 4 3/32  | 13/16  | 1 19/32 | 17/32  | 2.0      |
| BED VTWS218 | 1 1/8          | 3 to 12SF23        | 1 19/32 | 1 25/32 | 1/2 | 4     | 3 1/2 | 3/4 | 7/8   | 2 1/8 | 2 1/2 | 4 5/8   | 7/8    | 1 3/4   | 17/32  | 3.1      |
| BED VTWS219 | 1 3/16         | 3 to 12SF23        | 1 19/32 | 1 25/32 | 1/2 | 4     | 3 1/2 | 3/4 | 7/8   | 2 1/8 | 2 1/2 | 4 5/8   | 7/8    | 1 3/4   | 17/32  | 3.1      |
| BED VTWS220 | 1 1/4          | 3 to 12SF23        | 1 3/4   | 2       | 1/2 | 4     | 3 1/2 | 3/4 | 7/8   | 2 1/8 | 2 3/4 | 5       | 1      | 1 7/8   | 17/32  | 3.7      |
| BED VTWS222 | 1 3/8          | 3 to 12SF23        | 1 3/4   | 2       | 1/2 | 4     | 3 1/2 | 3/4 | 7/8   | 2 1/8 | 2 3/4 | 5       | 1      | 1 7/8   | 17/32  | 3.7      |
| BED VTWS223 | 1 7/16         | 3 to 12SF23        | 1 3/4   | 2       | 1/2 | 4     | 3 1/2 | 3/4 | 7/8   | 2 1/8 | 2 3/4 | 5       | 1      | 1 7/8   | 17/32  | 3.7      |
| BED VTWS224 | 1 1/2          | 3 to 18SF31        | 2 1/32  | 2 3/16  | 5/8 | 4 1/2 | 4     | 3/4 | 1 1/8 | 2 3/4 | 3 1/4 | 5 19/32 | 1 3/16 | 2 1/4   | 11/16  | 5.1      |
| BED VTWS226 | 1 5/8          | 3 to 18SF31        | 2 1/8   | 2 1/4   | 5/8 | 4 1/4 | 4     | 3/4 | 1 3/8 | 2 3/4 | 3 1/4 | 5 3/4   | 1 3/16 | 2 1/4   | 1/16   | 5.5      |
| BED VTWS227 | 1 11/16        | 3 to 18SF31        | 2 1/8   | 2 1/4   | 5/8 | 4 1/2 | 4     | 3/4 | 1 1/8 | 2 3/4 | 3 1/4 | 5 3/4   | 1 3/16 | 2 1/4   | 11/16  | 5.5      |
| BED VTWS228 | 1 3/4          | 3 to 18SF31        | 2 1/8   | 2 1/4   | 5/8 | 4 1/2 | 4     | 3/4 | 1 1/8 | 2 3/4 | 3 1/4 | 5 3/4   | 1 3/16 | 2 1/4   | 11/16  | 5.5      |
| BED VTWS231 | 1 15/16        | 3 to 18SF31        | 2 7/32  | 2 5/16  | 5/8 | 4 1/2 | 4     | 3/4 | 1 1/8 | 2 3/4 | 3 3/8 | 5 29/32 | 1 9/32 | 2 11/32 | 11/16  | 5.7      |
| BED VTWS232 | 2              | 9 to 18SF39        | 2 17/32 | 2 9/16  | 3/4 | 5 3/4 | 5 1/8 | 1   | 1 3/8 | 3 5/8 | 3 3/4 | 6 27/32 | 1 5/16 | 2 9/16  | 1 1/16 | 8.6      |
| BED VTWS235 | 2 3/16         | 9 to 18SF39        | 2 17/32 | 2 9/16  | 3/4 | 5 3/4 | 5 1/8 | 1   | 1 3/8 | 3 5/8 | 3 3/4 | 6 27/32 | 1 5/16 | 2 9/16  | 1 1/16 | 8.6      |
| BED VTWS239 | 2 7/16         | 9 to 18SF39        | 2 21/32 | 2 27/32 | 3/4 | 5 3/4 | 5 1/8 | 1   | 1 3/8 | 3 5/8 | 4     | 7 1/4   | 1 9/16 | 2 13/16 | 1 1/16 | 11.0     |

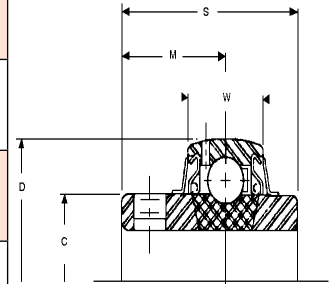
**Normal Duty Take-up Units - Wide Slot - Eccentric Lock**

| PART NO.    | SHAFT SIZE (") | USE WITH FRAME NO. | A       | B       | C   | D     | E     | F   | G     | J     | K     | L       | M       | N       | S      | WT (LBS) |
|-------------|----------------|--------------------|---------|---------|-----|-------|-------|-----|-------|-------|-------|---------|---------|---------|--------|----------|
| BED VTWE212 | 3/4            | 3 to 9SF16         | 1 9/16  | 1 7/16  | 3/8 | 3 1/2 | 3     | 5/8 | 3/4   | 1 7/8 | 2 1/4 | 4       | 1 3/64  | 1 47/64 | 17/32  | 1.9      |
| BED VTWE214 | 7/8            | 3 to 9SF16         | 1 17/32 | 1 9/16  | 3/8 | 3 1/2 | 3     | 5/8 | 3/4   | 1 7/8 | 2 1/4 | 4 3/32  | 1 1/16  | 1 13/16 | 17/32  | 2.1      |
| BED VTWE215 | 15/16          | 3 to 9SF16         | 1 17/32 | 1 9/16  | 3/8 | 3 1/2 | 3     | 5/8 | 3/4   | 1 7/8 | 2 1/4 | 4 3/32  | 1 1/16  | 1 13/16 | 17/32  | 2.1      |
| BED VTWE216 | 1              | 3 to 9SF16         | 1 17/32 | 1 9/16  | 3/8 | 3 1/2 | 3     | 5/8 | 3/4   | 1 7/8 | 2 1/4 | 4 3/32  | 1 1/16  | 1 13/16 | 17/32  | 2.0      |
| BED VTWE218 | 1 1/8          | 3 to 12SF23        | 1 19/32 | 1 25/32 | 1/2 | 4     | 3 1/2 | 3/4 | 7/8   | 2 1/8 | 2 1/2 | 4 5/8   | 1 3/16  | 2 1/16  | 17/32  | 3.0      |
| BED VTWE219 | 1 3/16         | 3 to 12SF23        | 1 19/32 | 1 25/32 | 1/2 | 4     | 3 1/2 | 3/4 | 7/8   | 2 1/8 | 2 1/2 | 4 5/8   | 1 3/16  | 2 1/16  | 17/32  | 3.0      |
| BED VTWE220 | 1 1/4          | 3 to 12SF23        | 1 3/4   | 2       | 1/2 | 4     | 3 1/2 | 3/4 | 7/8   | 2 1/8 | 2 3/4 | 5       | 1 9/32  | 2 5/32  | 17/32  | 3.8      |
| BED VTWE222 | 1 3/8          | 3 to 12SF23        | 1 3/4   | 2       | 1/2 | 4     | 3 1/2 | 3/4 | 7/8   | 2 1/8 | 2 3/4 | 5       | 1 9/32  | 2 5/32  | 17/32  | 3.8      |
| BED VTWE223 | 1 7/16         | 3 to 12SF23        | 1 3/4   | 2       | 1/2 | 4     | 3 1/2 | 3/4 | 7/8   | 2 1/8 | 2 3/4 | 5       | 1 9/32  | 2 5/32  | 17/32  | 3.7      |
| BED VTWE224 | 1 1/2          | 3 to 18SF31        | 2 1/32  | 2 3/16  | 5/8 | 4 1/2 | 4     | 3/4 | 1 1/8 | 2 3/4 | 3 1/4 | 5 19/32 | 1 3/8   | 2 7/16  | 11/16  | 5.2      |
| BED VTWE226 | 1 5/8          | 3 to 18SF31        | 2 1/8   | 2 1/4   | 5/8 | 4 1/2 | 4     | 3/4 | 1 1/8 | 2 3/4 | 3 1/4 | 5 3/4   | 1 3/8   | 2 7/16  | 11/16  | 5.4      |
| BED VTWE227 | 1 11/16        | 3 to 18SF31        | 2 1/8   | 2 1/4   | 5/8 | 4 1/2 | 4     | 3/4 | 1 1/8 | 2 3/4 | 3 1/4 | 5 3/4   | 1 3/8   | 2 7/16  | 11/16  | 5.4      |
| BED VTWE228 | 1 3/4          | 3 to 18SF31        | 2 1/8   | 2 1/4   | 5/8 | 4 1/2 | 4     | 3/4 | 1 1/8 | 2 3/4 | 3 1/4 | 5 3/4   | 1 3/8   | 2 7/16  | 11/16  | 5.3      |
| BED VTWE231 | 1 15/16        | 3 to 18SF31        | 2 7/32  | 2 5/16  | 5/8 | 4 1/2 | 4     | 3/4 | 1 1/8 | 2 3/4 | 3 3/8 | 5 29/32 | 1 1/2   | 2 9/16  | 11/16  | 5.7      |
| BED VTWE232 | 2              | 9 to 18SF39        | 2 17/32 | 2 9/16  | 3/4 | 5 3/4 | 5 1/8 | 1   | 1 3/8 | 3 5/8 | 3 3/4 | 6 27/32 | 1 23/32 | 2 31/32 | 1 1/16 | 8.6      |
| BED VTWE235 | 2 3/16         | 9 to 18SF39        | 2 17/32 | 2 9/16  | 3/4 | 5 3/4 | 5 1/8 | 1   | 1 3/8 | 3 5/8 | 3 3/4 | 6 27/32 | 1 23/32 | 2 31/32 | 1 1/16 | 10.2     |
| BED VTWE239 | 2 7/16         | 9 to 18SF39        | 2 21/32 | 2 27/32 | 3/4 | 5 3/4 | 5 1/8 | 1   | 1 3/8 | 3 5/8 | 4     | 7 1/4   | 1 27/32 | 3 3/32  | 1 1/16 | 10.1     |

**200 SERIES INSERT BEARINGS**

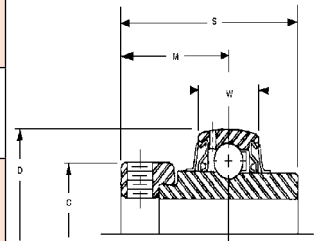
**Normal Duty - Setscrew Lock**

| PART NO.   | SHAFT SIZE | C       | D       | M       | S       | W     | WT. (LBS) |
|------------|------------|---------|---------|---------|---------|-------|-----------|
| BED VS208  | 1/2"       | 31/32"  | 1.5748" | 5/8"    | 1 1/32" | 0.512 | 0.48      |
| BED VS210  | 5/8        | 31/32   | 1.5748  | 5/8     | 1 1/32  | 0.512 | 0.45      |
| BED VS112  | 3/4        | 1 9/64  | 1.8504  | 23/32   | 1 7/32  | 0.591 | 0.5       |
| BED VS214  | 7/8        | 1 11/32 | 2.0472  | 13/16   | 1 3/8   | 0.591 | 0.6       |
| BED VS215  | 15/16      | 1 11/32 | 2.0472  | 13/16   | 1 3/8   | 0.591 | 0.58      |
| BED VS216  | 1          | 1 11/32 | 2.0472  | 13/16   | 1 3/8   | 0.591 | 0.54      |
| BED VS218  | 1 1/8      | 1 19/32 | 2.4409  | 7/8     | 1 1/2   | 0.709 | 1         |
| BED VS219  | 1 3/16     | 1 19/32 | 2.4409  | 7/8     | 1 1/2   | 0.709 | 0.9       |
| BED VS220S | 1 1/4      | 1 19/32 | 2.4409  | 7/8     | 1 1/2   | 0.709 | 0.8       |
| BED VS320  | 1 1/4      | 1 7/8   | 2.8346  | 1       | 1 11/16 | 0.748 | 1.5       |
| BED VS222  | 1 3/8      | 1 7/8   | 2.8346  | 1       | 1 11/16 | 0.748 | 1.4       |
| BED VS223  | 1 7/16     | 1 7/8   | 2.8346  | 1       | 1 11/16 | 0.748 | 1.3       |
| BED VS224  | 1 1/2      | 2 5/64  | 3.1496  | 1 3/16  | 1 15/16 | 0.866 | 1.9       |
| BED VS226  | 1 5/8      | 2 1/4   | 3.3465  | 1 3/16  | 1 15/16 | 0.866 | 2.2       |
| BED VS227  | 1 11/16    | 2 1/4   | 3.3465  | 1 3/16  | 1 15/16 | 0.886 | 2.1       |
| BED VS228  | 1 3/4      | 2 1/4   | 3.3465  | 1 3/16  | 1 15/16 | 0.886 | 2         |
| BED VS231  | 1 15/16    | 2 15/32 | 3.5433  | 1 9/32  | 2 1/32  | 0.906 | 2.3       |
| BED VS232S | 2          | 2 15/32 | 3.5433  | 1 9/32  | 2 1/32  | 0.906 | 2.3       |
| BED VS235  | 2 3/16     | 2 25/32 | 3.937   | 1 5/16  | 2 3/16  | 0.984 | 2.6       |
| BED VS239  | 2 7/16     | 3 1/16  | 4.3307  | 1 9/16  | 2 9/16  | 1.063 | 3.5       |
| BED VS243  | 2 11/16    | 3 27/64 | 4.9213  | 1 11/16 | 2 3/4   | 1.102 | 5.8       |
| BED VS247  | 2 15/16    | 3 19/32 | 5.1181  | 1 3/4   | 3 1/16  | 1.142 | 6.7       |



**Normal Duty - Eccentric Lock**

| PART NO.   | SHAFT SIZE | C       | D       | M       | S       | W     | WT. (LBS) |
|------------|------------|---------|---------|---------|---------|-------|-----------|
| BED VE208  | 1/2"       | 1 1/8"  | 1.5748" | 59/64"  | 1 15/32 | 0.512 | 0.58      |
| BED VE210  | 5/8        | 1 1/8   | 1.5748  | 59/64   | 1 15/32 | 0.512 | 0.55      |
| BED VE212  | 3/4        | 1 5/16  | 1.8504  | 1 3/64  | 1 23/32 | 0.591 | 0.6       |
| BED VE214  | 7/8        | 1 1/2   | 2.0472  | 1 1/16  | 1 3/4   | 0.591 | 0.8       |
| BED VE215  | 15/16      | 1 1/2   | 2.0472  | 1 1/16  | 1 3/4   | 0.591 | 0.77      |
| BED VE216  | 1          | 1 1/2   | 2.0472  | 1 1/16  | 1 3/4   | 0.591 | 0.74      |
| BED VE218  | 1 1/8      | 1 3/4   | 2.4409  | 1 3/16  | 1 29/32 | 0.709 | 1.2       |
| BED VE219  | 1 3/16     | 1 3/4   | 2.4409  | 1 3/16  | 1 29/32 | 0.709 | 1.1       |
| BED VE220S | 1 1/4      | 1 3/4   | 2.4409  | 1 3/16  | 1 29/32 | 0.709 | 1         |
| BED VE220  | 1 1/4      | 2 3/16  | 2.8346  | 1 9/32  | 2 1/64  | 0.748 | 1.8       |
| BED VE222  | 1 3/8      | 2 3/16  | 2.8346  | 1 9/32  | 2 1/64  | 0.748 | 1.6       |
| BED VE223  | 1 7/16     | 2 3/16  | 2.8346  | 1 9/32  | 2 1/64  | 0.748 | 1.5       |
| BED VE224  | 1 1/2      | 2 3/8   | 3.1496  | 1 3/8   | 2 7/32  | 0.866 | 2.2       |
| BED VE226  | 1 5/8      | 2 1/2   | 3.3465  | 1 3/8   | 2 7/32  | 0.866 | 2.6       |
| BED VE227  | 1 11/16    | 2 1/2   | 3.3465  | 1 3/8   | 2 7/32  | 0.866 | 2.5       |
| BED VE228  | 1 3/4      | 2 1/2   | 3.3465  | 1 3/8   | 2 7/32  | 0.866 | 2.4       |
| BED VE231  | 1 15/16    | 2 3/4   | 3.5433  | 1 1/2   | 2 15/32 | 0.906 | 3         |
| BED VE232  | 2          | 3       | 3.937   | 1 23/32 | 2 13/16 | 0.984 | 3.4       |
| BED VE235  | 2 3/16     | 3       | 3.937   | 1 23/32 | 2 13/16 | 0.984 | 3.2       |
| BED VE236  | 2 1/4      | 3 5/16  | 4.3307  | 1 27/32 | 3 1/16  | 1.063 | 4.9       |
| BED VE239  | 2 7/16     | 3 5/16  | 4.3307  | 1 27/32 | 3 1/16  | 1.063 | 4.7       |
| BED VE243  | 2 11/16    | 3 13/16 | 4.9213  | 2 1/32  | 3 3/8   | 1.102 | 7         |
| BED VE247  | 2 15/16    | 4 1/64  | 5.1181  | 2 5/32  | 3 5/8   | 1.142 | 8.2       |

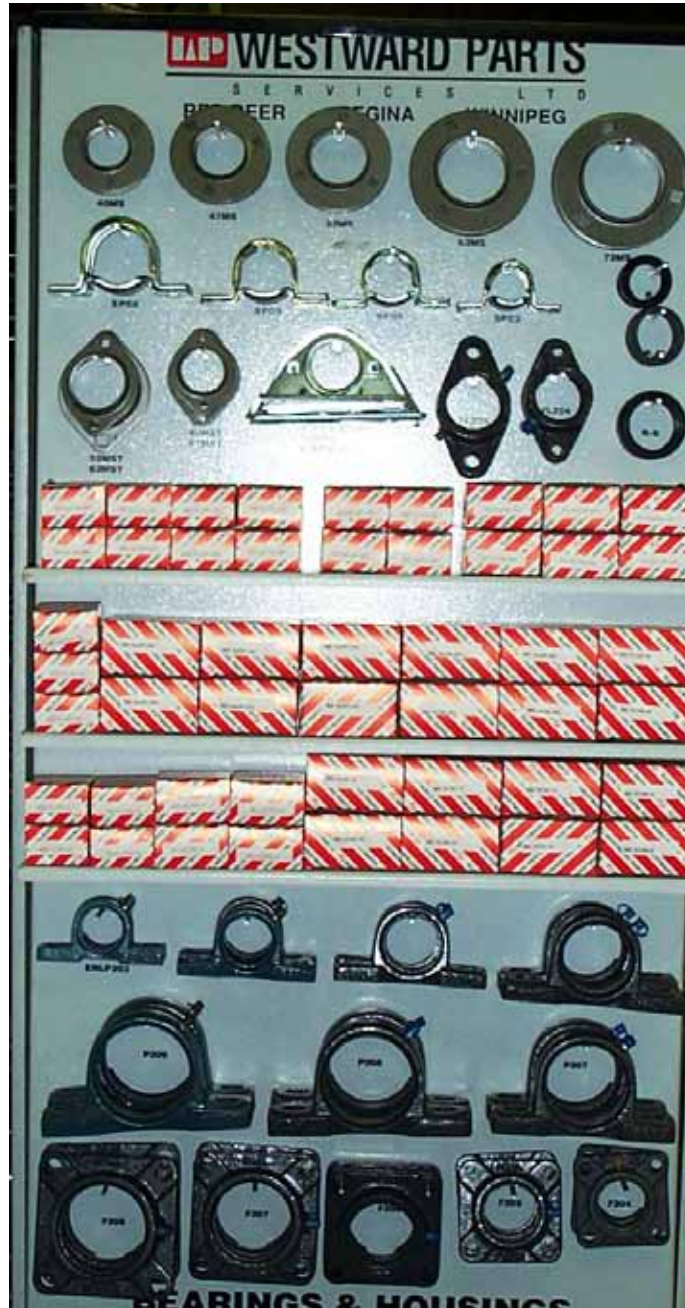


## COMPREHENSIVE BEARING DISPLAY

\*Board will satisfy about 90% of AG Sales for insert bearings & housings.

| QTY | PART NO.        |
|-----|-----------------|
| 4   | BED 40MS        |
| 4   | BED 47MS        |
| 4   | BED 52MS        |
| 4   | BED 62MS        |
| 4   | BED 72MS        |
|     |                 |
| 2   | BED 40MST       |
| 2   | BED 47MST       |
| 2   | BED 52MST       |
| 2   | BED 62MST       |
|     |                 |
| 2   | BED 47MPB-STAND |
| 2   | BED 52MPB       |
| 2   | BED 62MPD-STAND |
|     |                 |
| 2   | BED SP03        |
| 2   | BED SP04        |
| 2   | BED SP05        |
| 2   | BED SP06        |
|     |                 |
| 2   | BED R-4         |
| 2   | BED R-5         |
| 2   | BED R-6         |
|     |                 |
| 2   | BEI SA203-08G   |
| 2   | BEI SA203-10G   |
| 2   | BEI SA204-12G   |
| 2   | BEI SA205-14G   |
| 4   | BEI SA205-16G   |
| 2   | BEI SA206-18G   |
| 2   | BEI SA206-19G   |
| 2   | BEI SA206-20G   |
| 2   | BEI SA207-20G   |
| 2   | BEI SA207-22G   |
| 2   | BEI SA208-24G   |
| 2   | BEI SA209-28G   |

\* Contents invoiced separately



| QTY | PART NO.     |
|-----|--------------|
| 2   | BEI UC204-12 |
| 2   | BEI UC205-14 |
| 3   | BEI UC205-16 |
| 2   | BEI UC206-19 |
| 2   | BEI UC206-20 |
| 2   | BEI UC207-20 |
| 2   | BEI UC207-23 |
| 2   | BEI UC208-24 |
| 2   | BEI UC209-28 |
|     |              |
| 2   | BEI FL204    |
| 2   | BEI FL205    |
| 2   | BEI F204     |
| 2   | BEI F205     |
| 2   | BEI F206     |
| 2   | BEI F207     |
| 2   | BEI F208     |
|     |              |
| 2   | BEI ENLP203  |
| 2   | BEI P204     |
| 2   | BEI P205     |
| 2   | BEI P206     |
| 2   | BEI P207     |
| 2   | BEI P208     |
| 2   | BEI P209     |

\*The board is free when you purchase the contents

| PART NO. | DESCRIPTION      |
|----------|------------------|
| BEI 767  | Complete Display |

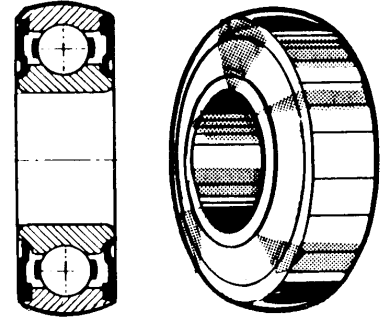
**SELL WESTWARD BEARINGS TODAY!**



**SEALED INSERT BEARINGS**

**Metric Bore - Spherical O.D.**

| PART NO.        | DIMENSIONS |      |    | OTHER MANUFACTURERS |          |            |
|-----------------|------------|------|----|---------------------|----------|------------|
|                 | I.D.       | O.D. | W. | NSK NO.             | BCA NO.  | FAFNIR NO. |
| BEI 1726202-2RS | 15         | 35   | 11 | CS202DDU            | SA202FFN | 202FPPB    |
| BEI 1726203-2RS | 17         | 40   | 12 | CS203DDU            | SA203FFN | 203FPPB    |
| BEI 1726204-2RS | 20         | 47   | 14 | CS204DDU            | SA204FFN | 204FPPB    |
| BEI 1726205-2RS | 25         | 52   | 15 | CS205DDU            | SA205FFN | 205FPPB    |
| BEI 1726206-2RS | 30         | 62   | 16 | CS206DDU            | SA206FFN | 206FPPB    |
| BEI 1726207-2RS | 35         | 72   | 17 | CS207DDU            | SA207FFN | 207FPPB    |
| BEI 1726208-2RS | 40         | 80   | 18 | CS208DDU            | SA208FFN | 208FPPB    |

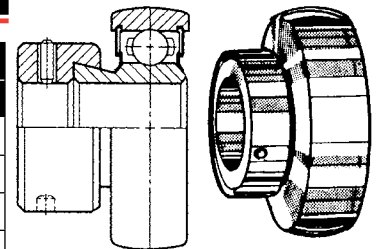


Spherical O.D. (Round Outer Race)

Additional sizes available in BED product group - See page 58

**Metric Bore with Eccentric Locking**

| PART NO.         | DIMENSIONS |      |    | OTHER MANUFACTURERS |            |            |
|------------------|------------|------|----|---------------------|------------|------------|
|                  | I.D.       | O.D. | W. | NSK NO.             | IMPORT NO. | FAFNIR NO. |
| BEI 1736203-17mm | 17         | 40   | 12 | EN203               | SA203-17mm | RAE17RRB   |
| BEI 1736201-20mm | 20         | 47   | 14 | EN204               | SA204-20mm | RAE20RRB   |
| BEI 1736205-25mm | 25         | 52   | 15 | EN205               | SA205-25mm | RAE25RRB   |
| BEI 1736206-30mm | 30         | 62   | 16 | EN206               | SA206-30mm | RAE30RRB   |
| BEI 1736207-35mm | 35         | 72   | 17 | EN207               | SA207-35mm | RAE35RRB   |
| BEI 1736208-40mm | 40         | 80   | 18 | EN208               | SA208-40mm | RAE40RRB   |



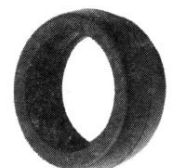
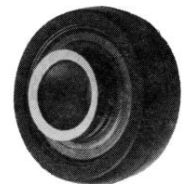
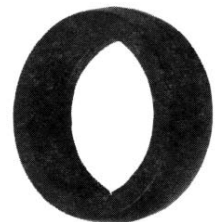
Spherical O.D. (Round Outer Race)

Additional sizes available in BED product group - See page 58

**RUBBER BALL BEARING BOOTS**

Can be used with snap-together pillow blocks

- Rubber boots can be used in special applications where the application requires a minimum of vibration and noise proof mounting, oil resisting, static conductive, neoprene rubber boots or grommets are used.
- When ordering for a 40 millimeter self aligning ball bearing pillow block application you would order a SP04 pillow block set. Then for a 47 millimeter self aligning ball bearing pillow block application you would order a SP05 pillow block set. And when ordering for a 52 millimeter self aligning ball bearing pillow block application, you would order a SP07 pillow block set.
- The reason for the above is due to the fact that the rubber boot or grommet surrounds the ball bearing and fits in between the base and top strap of the pillow block set.
- Remember that a pillow block set without turned down edges of the top strap, and turned up edges on the base will not work, as the rubber flows out of the unit in use when any thrust is applied.
- The above units have the proper edges on both base and top strap. This is the type of unit, where the base and top strap have the "Snap Together" feature.



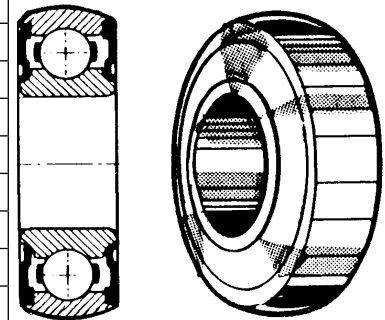
| PART NO. | DESCRIPTION                                | USE WITH HOUSING PART NO. |
|----------|--|---------------------------|
| BED R-4  | For 40mm bearing - mount with 47mm housing | BED SP04                  |
| BED R-5  | For 47mm bearing - mount with 52mm housing | BED SP05                  |
| BED R-6  | For 52mm bearing - mount with 62mm housing | BED SP06                  |
| BED R-7  | For 62mm bearing - mount with 72mm housing | BED SP07                  |

\*See page 77 for SP housing

## BED SEALED INSERT BEARINGS

### Metric Bore - Spherical O.D.

| PART NO.        | DIMENSIONS |      |    | OTHER MANUFACTURERS |         |            |
|-----------------|------------|------|----|---------------------|---------|------------|
|                 | I.D.       | O.D. | W. | NSK NO.             | BCA NO. | FAFNIR NO. |
| BED 1726202-2RS | 15         | 35   | 11 | CS202DDU            | S202FFN | 202NPPB    |
| BED 1726203-2RS | 17         | 40   | 12 | CS203DDU            | S203FFN | 203NPPB    |
| BED 1726204-2RS | 20         | 47   | 14 | CS204DDU            | S204FFN | 204NPPB    |
| BED 1726205-2RS | 25         | 52   | 15 | CS205DDU            | S205FFN | 205NPPB    |
| BED 1726206-2RS | 30         | 62   | 16 | CS206DDU            | S206FFN | 206NPPB    |
| BED 1726207-2RS | 35         | 72   | 17 | CS207DDU            | S207FFN | 207NPPB    |
| BED 1726208-2RS | 40         | 80   | 18 | CS208DDU            | S208FFN | 208NPPB    |
| BED 1726209-2RS | 45         | 85   | 19 | CS209DDU            | S209FFN | 209NPPB    |
| BED 1726210-2RS | 50         | 90   | 20 | CS210DDU            | S210FFN | 210NPPB    |
| BED 1726305-2RS | 25         | 62   | 17 | CS305DDU            | S305FFN | 305NPPB    |
| BED 1726306-2RS | 30         | 72   | 19 | CS306DDU            | S306FFN | 306NPPB    |
| BED 1726307-2RS | 35         | 80   | 21 | CS307DDU            | S307FFN | 307NPPB    |
| BED 1726308-2RS | 40         | 90   | 23 | CS308DDU            | S308FFN | 308NPPB    |
| BED 1726309-2RS | 45         | 100  | 25 | CS309DDU            | S309FFN | 309NPPB    |
| BED 1726310-2RS | 50         | 110  | 27 | CS310DDU            | S310FFN | 310NPPB    |

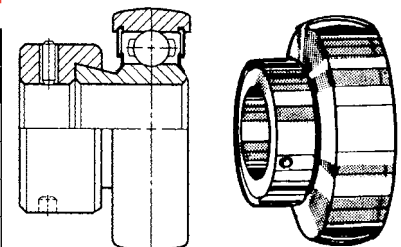


Spherical O.D. (Round Outer Race)

Additional items may also be available in BEI product group - See page 57

### Metric Bore with Eccentric Locking Collars

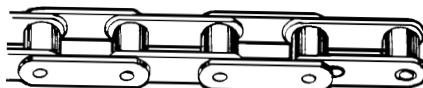
| PART NO.         | DIMENSIONS |      |    | OTHER MANUFACTURERS |            |            |
|------------------|------------|------|----|---------------------|------------|------------|
|                  | I.D.       | O.D. | W. | NSK NO.             | BCA NO.    | FAFNIR NO. |
| BED 1736203-17mm | 17         | 40   | 12 | EN203               | SA203-17mm | RAE17RRB   |
| BED 1736204-20mm | 20         | 47   | 14 | EN204               | SA204-20mm | RAE20RRB   |
| BED 1736205-25mm | 25         | 52   | 15 | EN205               | SA205-25mm | RAE25RRB   |
| BED 1736206-30mm | 30         | 62   | 16 | EN206               | SA206-30mm | RAE30RRB   |
| BED 1736207-35mm | 35         | 72   | 17 | EN207               | SA207-35mm | RAE35RRB   |
| BED 1736208-40mm | 40         | 80   | 18 | EN208               | SA208-40mm | RAE40RRB   |
| BED 1736209-45mm | 45         | 85   | 19 | EN209               | SA209-45mm | RAE45RRB   |
| BED 1736210-50mm | 50         | 90   | 20 | EN210               | SA210-50mm | RAE50RRB   |



Spherical O.D. (Round Outer Race)

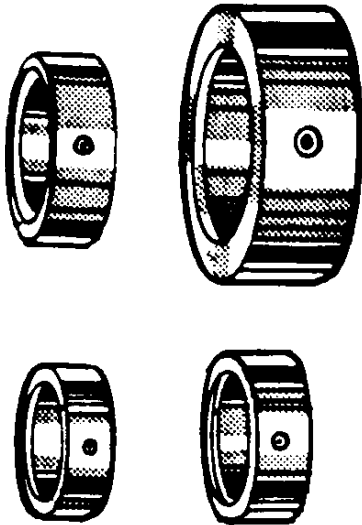
Additional items may also be available in BEI product group - See page 57

**Section 5 has a wide Selection of Chain & V-belts**



**ECCENTRIC LOCKING COLLARS (SERIES 200)**

(For insert bearings)



| PART NO.   | SERIES | SHAFT SIZE              |
|------------|--------|-------------------------|
| BED C008   | 203    | 1/2"                    |
| BED C010   | 203    | 5/8"                    |
| BED C012   | 204    | 3/4"                    |
| BED C014   | 205    | 7/8"                    |
| BED C015   | 205    | 15/16"                  |
| BED C100   | 205    | 1"                      |
| BED C101   | 206    | 1 1/16"                 |
| BED C102   | 206    | 1 1/8"                  |
| BED C103   | 206    | 1 3/16"                 |
| BED C103-2 | 206    | 1 1/4" (Small Bearings) |
| BED C104   | 207    | 1 1/4" (Large Bearings) |
| BED C105   | 207    | 1 5/16"                 |

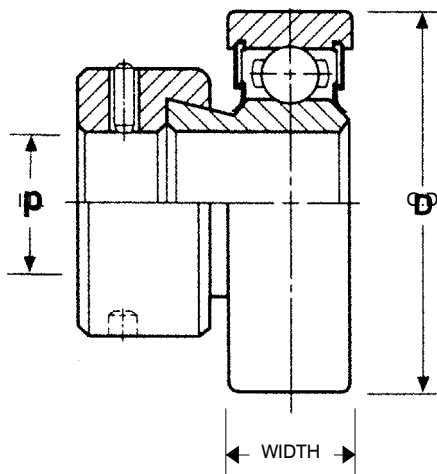
| PART NO.   | SERIES | SHAFT SIZE |
|------------|--------|------------|
| BED C106   | 207    | 1 3/8"     |
| BED C107   | 207    | 1 7/16"    |
| BED C108   | 208    | 1 1/2"     |
| BED C110   | 209    | 1 5/8"     |
| BED C111   | 209    | 1 11/16"   |
| BED C112   | 209    | 1 3/4"     |
| BED C114   | 210    | 1 7/8"     |
| BED C115   | 210    | 1 15/16"   |
| BED C200-2 | 210    | 2"         |
| BED C200   | 211    | 2"         |
| BED C203   | 211    | 2 3/16"    |
| BED C207   | 211    | 2 7/16"    |

\* Above items will fit all makes of Series 200 locking collar insert bearings.

**SAA SERIES FLAT OUTER RACE INSERT BEARINGS**

**SAA Series Insert Bearings**

- Sealed bearings
- Eccentric locking collars
- Flat (cylindrical) outer races



| PART NO.      | SERIES | I.D.     | O.D.  | OUTER RING WIDTH |
|---------------|--------|----------|-------|------------------|
| BEI SAA201-08 | 203    | 1/2"     | 40 mm | 13 mm            |
| BEI SAA203-10 | 203    | 5/8"     | 40 mm | 13 mm            |
| BEI SAA204-12 | 204    | 3/4"     | 47 mm | 14 mm            |
| BEI SAA205-14 | 205    | 7/8"     | 52 mm | 15 mm            |
| BEI SAA205-15 | 205    | 15/16"   | 52 mm | 15 mm            |
| BEI SAA205-16 | 205    | 1"       | 52 mm | 15 mm            |
| BEI SAA206-18 | 206    | 1 1/8"   | 62 mm | 16 mm            |
| BEI SAA206-19 | 206    | 1 3/16"  | 62 mm | 16 mm            |
| BEI SAA206-20 | 206    | 1 1/4"   | 62 mm | 16 mm            |
| BEI SAA207-20 | 207    | 1 1/4"   | 72 mm | 17 mm            |
| BEI SAA207-21 | 207    | 1 5/16"  | 72 mm | 17 mm            |
| BEI SAA207-22 | 207    | 1 3/8"   | 72 mm | 17 mm            |
| BEI SAA207-23 | 207    | 1 7/16"  | 72 mm | 17 mm            |
| BEI SAA208-24 | 208    | 1 1/2"   | 80 mm | 18 mm            |
| BEI SAA209-26 | 209    | 1 5/8"   | 85 mm | 19 mm            |
| BEI SAA209-28 | 209    | 1 3/4"   | 85 mm | 19 mm            |
| BEI SAA210-30 | 210    | 1 7/8"   | 90 mm | 20 mm            |
| BEI SAA210-31 | 210    | 1 10/16" | 90 mm | 20 mm            |

**NOTES:**

- Above are available in sealed only
- Some outer ring widths may vary slightly

\* Above items plus some additional sizes not shown, may also be available in BED

## BEARING INTERCHANGE

## Sealed, Spherical - Round Outer Race, Bearings

| SHAFT SIZE | SERIES | PART NO. | OLD PART NO. | SKF NO.     | NSK NO.   | NTN NO.    | FAFNIR NO. | BCA NO.    |
|------------|--------|----------|--------------|-------------|-----------|------------|------------|------------|
| 1/2"       | 203    | SA203-08 | 1736203-008  | -           | EN201-08S | AEL201-008 | RA008NPPB  | NPS008RPC  |
| 5/8"       | 203    | SA203-10 | 1736203-010  | -           | EN202-10S | AEL202-010 | RA010NPPB  | NPS010RPC  |
| 3/4"       | 204    | SA204-12 | 1736204-012  | YET204-012W | EN204-12S | AEL204-012 | RA012NPPB  | NPS012RPC  |
| 7/8"       | 205    | SA205-14 | 1736205-014  | YET205-014W | EN205-14S | AEL205-014 | RA014NPPB  | NPS014RPC  |
| 15/16"     | 205    | SA205-15 | 1736205-015  | YET205-015W | EN205-15S | AEL205-015 | RA015NPPB  | NPS008RPC  |
| 1"         | 205    | SA205-16 | 1736205-100  | YET205-100W | EN205-16S | AEL205-100 | RA100NPPB  | NPS008RPC  |
| 1 1/16"    | 206    | SA206-17 | 1736206-101  | YET206-101W | EN206-17S | AEL206-101 | RA101NPPB  | NPS101RPC  |
| 1 1/8"     | 206    | SA206-18 | 1736206-102  | YET206-102W | EN206-18S | AEL206-102 | RA102NPPB  | NPS102RPC  |
| 1 3/16"    | 206    | SA206-19 | 1736206-103  | YET206-103W | EN206-19S | AEL206-103 | RA103NPPB  | NPS103RPC  |
| 1 1/4"     | 206    | SA206-20 | 1736206-104  | YET206-104W | EN206-20S | AEL206-104 | RA103NPPB2 | NPS103RPC2 |
| 1 1/4"     | 207    | SA207-20 | 1736207-104  | YET207-104W | EN207-20S | AEL207-104 | RA104NPPB  | NPS104RPC  |
| 1 5/16"    | 207    | SA207-21 | 1736207-105  | YET207-105W | -         | AEL207-105 | RA105NPPB  | NPS105RPC  |
| 1 3/8"     | 207    | SA207-22 | 1736207-106  | YET207-106W | EN207-22S | AEL207-106 | RA106NPPB  | NPS106RPC  |
| 1 7/16"    | 207    | SA207-23 | 1736207-107  | YET207-107W | EN207-23S | AEL207-107 | RA107NPPB  | NPS107RPC  |
| 1 1/2"     | 208    | SA208-24 | 1736208-108  | YET208-108W | EN208-24S | AEL208-108 | RA108NPPB  | NPS108RPC  |
| 1 5/8"     | 209    | SA209-26 | 1736209-110  | YET209-110W | EN209-26S | AEL209-110 | RA110NPPB  | NPS110RPC  |
| 1 11/16"   | 209    | SA209-27 | 1736209-111  | YET209-111W | EN209-27S | AEL209-111 | RA111NPPB  | NPS111RPC  |
| 1 3/4"     | 209    | SA209-28 | 1736209-112  | YET209-112W | EN209-28S | AEL209-112 | RA112NPPB  | NPS12RPC   |
| 1 7/8"     | 210    | SA210-30 | 1736210-114  | YET209-114W | EN210-30S | AEL210-114 | RA114NPPB  | NPS114RPC  |
| 1 15/16"   | 210    | SA210-31 | 1736210-115  | YET210-115W | EN210-31S | AEL210-115 | RA115NPPB  | NPS115RPC  |
| 2"         | 210    | SA210-32 | 1736210-200  | YET210-200W | EN210-32S | AEL210-200 | -          | NPS115RPC2 |

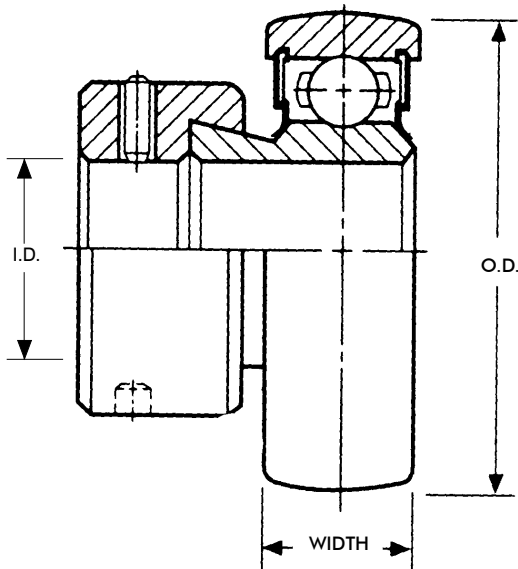
## Greaseable, Spherical - Round Outer Race Bearings

| SHAFT SIZE | SERIES | PART NO.  | OLD PART NO. | SKF NO.     | NSK NO.    | NTN NO.      | FAFNIR NO.  | BCA NO.     |
|------------|--------|-----------|--------------|-------------|------------|--------------|-------------|-------------|
| 1/2"       | 203    | SA203-08G | 1736203-008  | -           | GEN201-08S | AEL201-008DI | GRA008NPPB  | NPS008RRC   |
| 5/8"       | 203    | SA203-10G | 1736203-010  | -           | GEN202-10S | AEL202-010DI | GRA010NPPB  | NPS010RRC   |
| 3/4"       | 204    | SA204-12G | 1736204-012  | YET204-012W | GEN204-12S | AEL204-012DI | GRA012NPPB  | NPS012RRC   |
| 7/8"       | 205    | SA205-14G | 1736205-014  | YET205-014W | GEN205-14S | AEL205-014DI | GRA014NPPB  | NPS014RRC   |
| 15/16"     | 205    | SA205-15G | 1736205-015  | YET205-015W | GEN205-15S | AEL205-015DI | GRA015NPPB  | NPS008RRC   |
| 1"         | 205    | SA205-16G | 1736205-100  | YET205-100W | GEN205-16S | AEL205-100DI | GRA100NPPB  | NPS008RRC   |
| 1 1/16"    | 206    | SA206-17G | 1736206-101  | YET206-101W | GEN206-17S | AEL206-101DI | GRA101NPPB  | NPS101RRC   |
| 1 1/8"     | 206    | SA206-18G | 1736206-102  | YET206-102W | GEN206-18S | AEL206-102DI | GRA102NPPB  | NPS102RRC   |
| 1 3/16"    | 206    | SA206-19G | 1736206-103  | YET206-103W | GEN206-19S | AEL206-103DI | GRA103NPPB  | NPS103RRC   |
| 1 1/4"     | 206    | SA206-20G | 1736206-104  | YET206-104W | GEN206-20S | AEL206-104DI | GRA103NPPB2 | NPS103RR2C  |
| 1 1/4"     | 207    | SA207-20G | 1736207-104  | YET207-104W | GEN207-20S | AEL207-104DI | GRA104NPPB  | NPS104RRC   |
| 1 5/16"    | 207    | SA207-21G | 1736207-105  | YET207-105W | -          | AEL207-105DI | GRA105NPPB  | NPS105RRC   |
| 1 3/8"     | 207    | SA207-22G | 1736207-106  | YET207-106W | GEN207-22S | AEL207-106DI | GRA106NPPB  | NPS106RRC   |
| 1 7/16"    | 207    | SA207-23G | 1736207-107  | YET207-107W | GEN207-23S | AEL207-107DI | GRA107NPPB  | NPS107RRC   |
| 1 1/2"     | 208    | SA208-24G | 1736208-108  | YET208-108W | GEN208-24S | AEL208-108DI | GRA108NPPB  | NPS108RRC   |
| 1 5/8"     | 209    | SA209-26G | 1736209-110  | YET209-110W | GEN209-26S | AEL209-110DI | GRA110NPPB  | NPS110RRC   |
| 1 11/16"   | 209    | SA209-27G | 1736209-111  | YET209-111W | GEN209-27S | AEL209-111DI | GRA111NPPB  | NPS111RRC   |
| 1 3/4"     | 209    | SA209-28G | 1736209-112  | YET209-112W | GEN209-28S | AEL209-112DI | GRA112NPPB  | NPS12RRC    |
| 1 7/8"     | 210    | SA210-30G | 1736210-114  | YET209-114W | GEN210-30S | AEL210-114DI | GRA114NPPB  | NPS114RRC   |
| 1 15/16"   | 210    | SA210-31G | 1736210-115  | YET210-115W | GEN210-31S | AEL210-115DI | GRA115NPPB  | NPS115RRC   |
| 2"         | 210    | SA210-32G | 1736210-200  | YET210-200W | GEN210-32S | AEL210-200DI | -           | NPS115RRR2C |

**SEALED & GREASABLE ECCENTRIC LOCKING COLLAR BEARINGS**

**SA Series Insert Bearings**

- Bearings have round (spherical) outer races
- Bearings have eccentric locking collars
- Bearings are available in sealed or regreasable



| PART NO.      | SERIES | I.D.     | O.D.   | OUTER RING WIDTH |
|---------------|--------|----------|--------|------------------|
| BEI SA203-08  | 203    | 1/2"     | 40 mm  | 12 mm            |
| BEI SA203-10  | 203    | 5/8"     | 40 mm  | 12 mm            |
| BEI SA204-12  | 204    | 3/4"     | 47 mm  | 14 mm            |
| BEI SA205-14  | 205    | 7/8"     | 52 mm  | 15 mm            |
| BEI SA205-15  | 205    | 15/16"   | 52 mm  | 15 mm            |
| BEI SA205-16  | 205    | 1"       | 52 mm  | 15 mm            |
| BEI SA206-17  | 206    | 1 1/16"  | 62 mm  | 16 mm            |
| BEI SA206-18  | 206    | 1 1/8"   | 62 mm  | 16 mm            |
| BEI SA206-19  | 206    | 1 3/16"  | 62 mm  | 16 mm            |
| BEI SA206-20  | 206    | 1 1/4"   | 62 mm  | 16 mm            |
| BEI SA207-20  | 207    | 1 1/4"   | 72 mm  | 17 mm            |
| BEI SA207-21  | 207    | 1 5/16"  | 72 mm  | 17 mm            |
| BEI SA207-22  | 207    | 1 3/8"   | 72 mm  | 17 mm            |
| BEI SA207-23  | 207    | 1 7/16"  | 72 mm  | 17 mm            |
| BEI SA208-24  | 208    | 1 1/2"   | 80 mm  | 18 mm            |
| BEI SA208-25  | 208    | 1 9/16"  | 80 mm  | 18 mm            |
| BEI SA209-26  | 209    | 1 5/8"   | 85 mm  | 19 mm            |
| BEI SA209-27* | 209    | 1 11/16" | 85 mm  | 19 mm            |
| BEI SA209-28  | 209    | 1 3/4"   | 85 mm  | 19 mm            |
| BEI SA210-31* | 210    | 1 5/16"  | 90 mm  | 20 mm            |
| BEI SA210-32* | 210    | 2"       | 90 mm  | 20 mm            |
| BEI SA211-32* | 211    | 2"       | 100 mm | 24 mm            |
| BEI SA211-35* | 211    | 2 3/16"  | 100 mm | 24 mm            |

**Notes:**

- Part # SA205-16 refers to sealed bearing
- Part # SA205-16G refers to regreasable bearing
- Please specify if you want sealed or greasable (add suffix "G" to Part # for greasable)
- Grease hole is located on locking collar side of bearing
- Some outer ring widths may vary slightly
- \*items are only available in greasable

\*Above items plus some additional sizes not shown are also available in BED

## BEARING INTERCHANGE

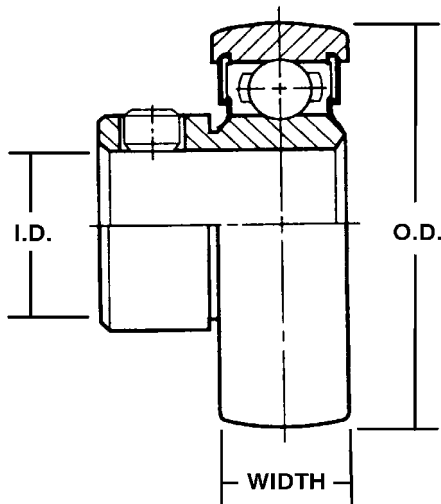
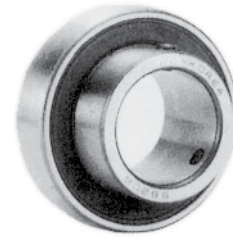
### Sealed Cylindrical - Flat Outer Race Bearings

| SHAFT SIZE | SERIES | PART NO.  | OLD PART NO. | SKF NO.      | NSK NO.   | NTN NO.      | FAFNIR NO. | BCA NO.    |
|------------|--------|-----------|--------------|--------------|-----------|--------------|------------|------------|
| 1/2"       | 203    | SAA203-08 | 1746203-008  | -            | ENR201-8  | AELS201-008N | RA008NPP   | NPC008RPC  |
| 5/8"       | 203    | SAA203-10 | 1746203-010  | YET203-010CW | ENR202-10 | AELS202-010N | RA010NPP   | NPC010RPC  |
| 3/4"       | 204    | SAA204-12 | 1746204-012  | YET204-012CW | ENR204-12 | AELS204-012N | RA012NPP   | NPC012RPC  |
| 7/8"       | 205    | SAA205-14 | 1746205-014  | YET205-014CW | ENR205-14 | AELS205-014N | RA014NPP   | NPC014RPC  |
| 15/16"     | 205    | SAA205-15 | 1746205-015  | YET205-015CW | ENR205-15 | AELS205-015N | RA015NPP   | NPC015RPC  |
| 1"         | 205    | SAA205-16 | 1746205-100  | YET205-100CW | ENR205-16 | AELS205-100N | RA100NPP   | NPC100RPC  |
| 1 1/16"    | 206    | SAA206-17 | 1746206-101  | YET206-101CW | ENR206-17 | AELS206-101N | RA101NPP   | NPC101RPC  |
| 1 1/8"     | 206    | SAA206-18 | 1746206-102  | YET206-102CW | ENR206-18 | AELS206-102N | RA102NPP   | NPC102RPC  |
| 1 3/16"    | 206    | SAA206-19 | 1746206-103  | YET206-103CW | ENR206-19 | AELS206-103N | RA103NPP   | NPC103RPC  |
| 1 1/4"     | 206    | SAA206-20 | 1746206-104  | YET206-104CW | ENR206-20 | AELS206-104N | RA103NPP   | NPC103RR2C |
| 1 1/4"     | 207    | SAA207-20 | 1746207-104  | YET207-104CW | ENR207-20 | AELS207-104N | RA104NPP   | NPC104RPC  |
| 1 5/16"    | 207    | SAA207-21 | 1746207-105  | YET207-105CW | -         | AELS207-105N | RA105NPP   | NPC105RPC  |
| 1 3/8"     | 207    | SAA207-22 | 1746207-106  | YET207-106CW | ENR207-22 | AELS207-106N | RA106NPP   | NPC106RPC  |
| 1 7/16"    | 207    | SAA207-23 | 1746207-170  | YET207-107CW | ENR207-23 | AELS207-107N | RA107NPP   | NPC107RPC  |
| 1 1/2"     | 208    | SAA208-24 | 1746208-108  | YET208-108CW | ENR208-24 | AELS208-108N | RA108NPP   | NPC108RPC  |
| 1 5/8"     | 209    | SAA209-26 | 1746209-110  | -            | ENR209-26 | AELS209-110N | RA110NPP   | NPC110RPC  |
| 1 11/16"   | 209    | SAA209-27 | 1746209-111  | YET209-111CW | ENR209-27 | AELS209-111N | RA111NPP   | NPC111RPC  |
| 1 3/4"     | 209    | SAA209-28 | 1746209-112  | YET209-112CW | ENR209-28 | AELS209-112N | RA112NPP   | NPC112RPC  |
| 1 7/8"     | 210    | SAA210-30 | 1746210-114  | -            | ENR210-30 | AELS210-114N | RA114NPP   | NPC114RPC  |
| 1 15/16"   | 210    | SAA210-31 | 1746210-115  | -            | ENR210-31 | AELS210-115N | RA115NPP   | NPC115RPC  |
| 2"         | 210    | SAA210-32 | 1746210-200  | -            | -         | AELS210-200N | -          | NPC115RP2C |

**Check out Section 9 for our selection of Hubs and Wheels**

**WAP SB 200 SERIES INSERT BEARINGS**

- Set screw locking
- Sealed bearings
- Round (spherical) outer race



| PART NO.     | SERIES | I.D.    | O.D.  | OUTER RING WIDTH |
|--------------|--------|---------|-------|------------------|
| BEI SB204-12 | 204    | 3/4"    | 47 mm | 14 mm            |
| BEI SB205-17 | 205    | 7/8"    | 52 mm | 15 mm            |
| BEI SB205-15 | 205    | 15/16"  | 52 mm | 15 mm            |
| BEI SB205-16 | 205    | 1"      | 52 mm | 15 mm            |
| BEI SB206-18 | 206    | 1 1/8"  | 62 mm | 16 mm            |
| BEI SB206-19 | 206    | 1 3/16" | 62 mm | 16 mm            |
| BEI SB206-20 | 206    | 1 1/4"  | 62 mm | 16 mm            |
| BEI SB207-20 | 207    | 1 1/4"  | 72 mm | 17 mm            |
| BEI SB207-22 | 207    | 1 3/8"  | 72 mm | 17 mm            |
| BEI SB207-23 | 207    | 1 7/16" | 72 mm | 17 mm            |
| BEI SB208-24 | 208    | 1 1/2"  | 80 mm | 18 mm            |

*Notes:*

- Above are available in sealed only
- Some outer ring widths may vary slightly

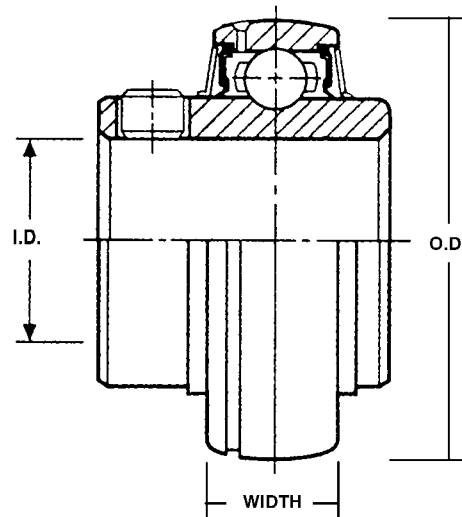
**See Section 10 for Alligator Fasteners**

## UC 200 SERIES INSERT BEARINGS

- All are regreasable design
- All have flinger shields on outside  
The flinger shield rotates with the inner ring and centrifugally force rust and dirt away from the bearing seals
- All have contact type seals
- All are round (spherical) outer race
- All are set screw lock



| PART NO.     | SERIES | I.D.     | O.D.   | OUTER RING WIDTH |
|--------------|--------|----------|--------|------------------|
| BEI UC201-08 | 204    | 1/2"     | 47 mm  | 16 mm            |
| BEI UC203-10 | 204    | 5/8"     | 47 mm  | 16 mm            |
| BEI UC204-12 | 204    | 3/4"     | 47 mm  | 16 mm            |
| BEI UC205-14 | 205    | 7/8"     | 52 mm  | 17 mm            |
| BEI UC205-15 | 205    | 15/16"   | 52 mm  | 17 mm            |
| BEI UC205-16 | 205    | 1"       | 52 mm  | 17 mm            |
| BEI UC206-17 | 206    | 1 1/16"  | 62 mm  | 19 mm            |
| BEI UC206-18 | 206    | 1 1/8"   | 62 mm  | 19 mm            |
| BEI UC206-19 | 206    | 1 3/16"  | 62 mm  | 19 mm            |
| BEI UC206-20 | 206    | 1 1/4"   | 62 mm  | 19 mm            |
| BEI UC207-20 | 207    | 1 1/4"   | 72 mm  | 20 mm            |
| BEI UC207-22 | 207    | 1 3/8"   | 72 mm  | 20 mm            |
| BEI UC207-23 | 207    | 1 7/16"  | 72 mm  | 20 mm            |
| BEI UC208-24 | 208    | 1 1/2"   | 80 mm  | 21 mm            |
| BEI UC209-26 | 209    | 1 5/8"   | 85 mm  | 22 mm            |
| BEI UC209-27 | 209    | 1 11/16" | 85 mm  | 22 mm            |
| BEI UC209-28 | 209    | 1 3/4"   | 85 mm  | 22 mm            |
| BEI UC210-30 | 210    | 1 7/8"   | 90 mm  | 23 mm            |
| BEI UC210-31 | 210    | 1 15/16" | 90 mm  | 23 mm            |
| BEI UC210-32 | 210    | 2"       | 90 mm  | 23 mm            |
| BEI UC211-32 | 211    | 2"       | 100 mm | 25 mm            |
| BEI UC211-35 | 211    | 2 3/16"  | 100 mm | 25 mm            |
| BEI UC212-36 | 212    | 2 1/4"   | 110 mm | 27 mm            |
| BEI UC212-38 | 212    | 2 3/8"   | 110 mm | 27 mm            |
| BEI UC212-39 | 212    | 2 7/16"  | 100 mm | 27 mm            |
| BEI UC213-40 | 213    | 2 1/2"   | 120 mm | 29 mm            |
| BEI UC215-47 | 215    | 2 15/16" | 130 mm | 30 mm            |
| BEI UCX10-31 | -      | 1 15/16" | 100 mm | 25 mm            |



### Notes:

- Outer ring width may vary slightly
- These bearings may also be available in "BED" series



**BEARING INTERCHANGE**

**UC Series, Round O.D., Greasable, Set Screw Lock**

| SHAFT SIZE | SERIES | PART NO. | NSK      | NTN        | FANFIR      | BCA                  | BRO    |
|------------|--------|----------|----------|------------|-------------|----------------------|--------|
| 1/2"       | 204    | UC201-08 | UC201-08 | UC201-08DI | GC1008KRRB  | <b>NO EQUIVALENT</b> | VS208  |
| 5/8"       | 204    | UC203-10 | UC203-10 | UC203-10DI | GC1010KRRB  |                      | VS210  |
| 3/4"       | 204    | UC204-12 | UC204-12 | UC204-12DI | GC1012KRRB  |                      | VS212  |
| 7/8"       | 205    | UC205-14 | UC205-14 | UC205-14DI | GC1014KRRB  |                      | VS214  |
| 15/16"     | 205    | UC205-15 | UC205-15 | UC205-15DI | GC1015KRRB  |                      | VS215  |
| 1"         | 205    | UC205-16 | UC206-16 | UC205-16DI | GC1016KRRB  |                      | VS215  |
| 1 1/16"    | 206    | UC206-17 | UC206-17 | UC206-17DI | -           |                      | VS217  |
| 1 1/8"     |        | UC206-18 | UC206-18 | UC206-18DI | GC1102KRRB  |                      | VS218  |
| 1 3/16"    |        | UC206-19 | UC206-19 | UC206-19DI | GC1103KRRB  |                      | VS219  |
| 1 1/4"     |        | UC206-20 | UC206-20 | UC206-20DI | GC1103KRRB3 |                      | VS220S |
| 1 1/4"     | 207    | UC207-20 | UC207-20 | UC207-20DI | GC1104KRRB  |                      | VS220  |
| 1 3/8"     | 207    | UC207-22 | UC207-22 | UC207-22DI | GC1106KRRB  |                      | VS222  |
| 1 7/16"    | 207    | UC207-23 | UC207-23 | UC207-23DI | GC1107KRRB  | VS223                |        |
| 1 1/2"     | 208    | UC208-24 | UC208-24 | UC208-24DI | GC1108KRRB  | VS224                |        |
| 1 5/8"     | 209    | UC209-26 | UC209-26 | UC209-26DI | GC1110KRRB  | VS226                |        |
| 1 11/16"   | 209    | UC209-27 | UC209-27 | UC209-27DI | GC1111KRRB  | VS227                |        |
| 1 3/4"     | 209    | UC209-28 | UC209-28 | UC209-28DI | GC1112KRRB  | VS228                |        |
| 1 7/8"     | 210    | UC210-30 | UC210-30 | UC210-30DI | -           | VS230                |        |
| 1 15/16"   | 210    | UC210-31 | UC210-31 | UC210-31DI | GC1115KRRB  | VS231                |        |
| 2"         | 210    | UC210-32 | UC210-32 | UC210-32DI | -           | VS232S               |        |
| 2"         | 211    | UC211-32 | UC211-32 | UC211-32DI | GC1200KRRB  | VS232                |        |
| 2 3/16"    | 211    | UC211-35 | UC211-35 | UC211-35DI | GC1203KRRB  | VS235                |        |
| 2 1/4"     | 212    | UC212-36 | UC212-36 | UC212-36DI | -           | VS236                |        |
| 2 3/8"     | 212    | UC212-38 | UC212-38 | UC212-38DI | -           | VS238                |        |
| 2 7/16"    | 212    | UC212-39 | UC212-39 | UC212-39DI | GC1207KRRB  | VS239                |        |
| 2 1/2"     | 213    | UC213-40 | UC213-40 | UC213-40DI | -           | VS240                |        |
| 2 15/16"   | 215    | UC215-47 | UC215-47 | UC215-47DI | GC1215KRRB  | VS247                |        |

**Check out Section 11 for a wide selection of Parker Hydraulics**



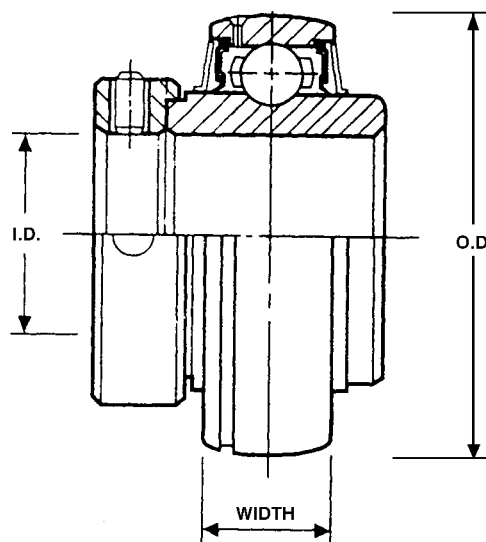
## G100KRRB SERIES INSERT BEARINGS

- Regreasable
- Eccentric locking collar
- Flinger shields on outside
- Contact seals on inside
- Round (spherical) outer race
- Extended inner race on both sides

\*The flinger shield rotates with the inner race and centrifugally forces dust and dirt away from the seals.

| PART NO.         | SERIES | I.D.     | O.D.   | OUTER RING WIDTH |
|------------------|--------|----------|--------|------------------|
| BEI G1008KRRB40  | 203    | 1/2"     | 40 mm  | 16 mm            |
| BEI G1010KRRB40  | 203    | 5/8"     | 40 mm  | 16 mm            |
| BEI G1011KRRB40  | 203    | 11/16"   | 40 mm  | 16 mm            |
| BEI G1008KRRB    | 204    | 1/2"     | 47 mm  | 16 mm            |
| BEI G1010KRRB    | 204    | 5/8"     | 47 mm  | 16 mm            |
| BEI G1012KRRB    | 204    | 3/4"     | 47 mm  | 16 mm            |
| BEI G1014KRRB    | 205    | 7/8"     | 52 mm  | 17 mm            |
| BEI G1015KRRB    | 205    | 15/16"   | 52 mm  | 17 mm            |
| BEI G1100KRRB    | 205    | 1"       | 52 mm  | 17 mm            |
| BEI G1102KRRB    | 206    | 1 1/8"   | 62 mm  | 19 mm            |
| BEI G1103KRRB    | 206    | 1 3/16"  | 62 mm  | 19 mm            |
| BEI G1104KRRB206 | 206    | 1 1/4"   | 62 mm  | 19 mm            |
| BEI G1104KRRB    | 207    | 1 1/4"   | 72 mm  | 20 mm            |
| BEI G1105KRRB    | 207    | 1 5/16"  | 72 mm  | 20 mm            |
| BEI G1106KRRB    | 207    | 1 3/8"   | 72 mm  | 20 mm            |
| BEI G1107KRRB    | 207    | 1 7/16"  | 72 mm  | 20 mm            |
| BEI G1108KRRB    | 208    | 1 1/2"   | 80 mm  | 21 mm            |
| BEI G1109KRRB    | 208    | 1 9/16"  | 80 mm  | 21 mm            |
| BEI G1110KRRB    | 209    | 1 5/8"   | 85 mm  | 22 mm            |
| BEI G1111KRRB    | 209    | 1 11/16" | 85 mm  | 22 mm            |
| BEI G1112KRRB    | 209    | 1 3/4"   | 85 mm  | 22 mm            |
| BEI G1114KRRB    | 210    | 1 7/8"   | 90 mm  | 23 mm            |
| BEI G1115KRRB    | 210    | 1 15/16" | 90 mm  | 23 mm            |
| BEI G1200KRRB210 | 210    | 2"       | 90 mm  | 23 mm            |
| BEI G1200KRRB    | 211    | 2"       | 100 mm | 25 mm            |
| BEI G1203KRRB    | 211    | 2 3/16"  | 100 mm | 25 mm            |
| BEI G1204KRRB    | 212    | 2 1/4"   | 110 mm | 27 mm            |
| BEI G1207KRRB    | 212    | 2 7/16"  | 110 mm | 27 mm            |

\*Above items also available in "BED" code.



**BEARING INTERCHANGE**

**G1000KRRB Series, Round O.D., Greasable, Locking Collar**

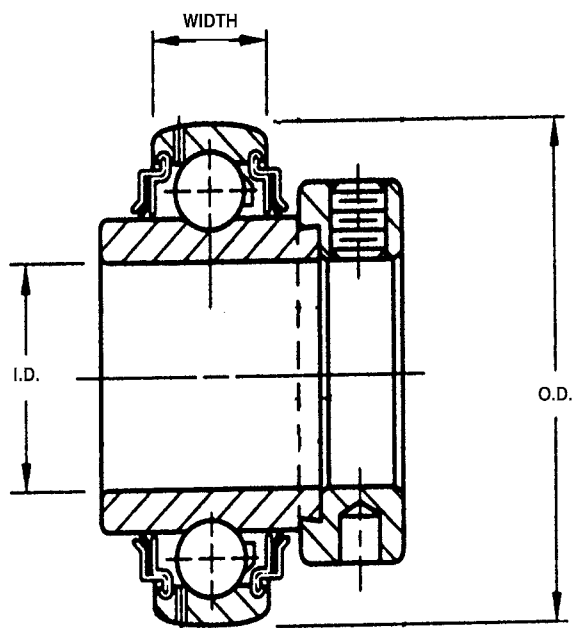
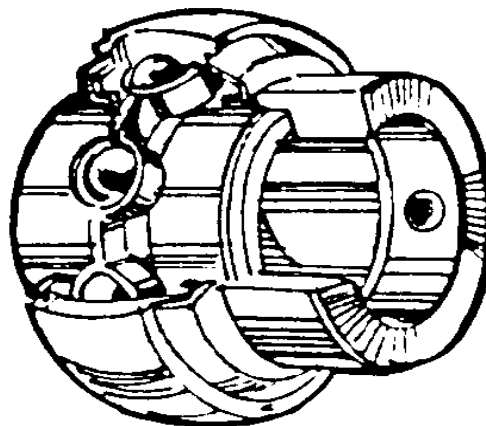
| SHAFT SIZE | SERIES | PART NO.     | NSK       | NTN          | FANFIR       | BCA         | BRO    |
|------------|--------|--------------|-----------|--------------|--------------|-------------|--------|
| 1/2"       | 204    | G1008KRRB    | -         | -            | G1008KRRB    | -           | VE208  |
| 5/8"       | 204    | G1010KRRB    | -         | -            | G1010KRRB    | -           | VBE210 |
| 3/4"       | 204    | G1012KRRB    | EW201-12S | UEL204-012D1 | G1012KRRB    | WPS012GRC   | VE212  |
| 7/8"       | 205    | G1014KRRB    | EW205-14S | UEL205-015D1 | G1014KRRB    | WPS014GRC   | VE214  |
| 15/16"     | 205    | G1015KRRB    | EW205-15S | UEL205-015D1 | G1015KRRB    | WPS015GRC   | VE215  |
| 1"         | 205    | G1100KRRB    | EW205-16S | UEL205-100D1 | G1100KRRB    | WPS100GRC   | VE218  |
| 1 1/8"     | 206    | G1102KRRB    | EW206-18S | UEL206-102D1 | G1102KRRB    | WPS102GRC   | VE218  |
| 1 3/16"    | 206    | G1103KRRB    | EW206-19S | UEL206-103D1 | G1103KRRB    | WPS103GRC   | VE219  |
| 1 1/4"     | 206    | G1104KRRB206 | EW206-20S | UEL206-204D1 | G1104KRRB206 | WPS-104GR2C | VE220S |
| 1 1/4"     | 207    | G1104KRRB    | EW207-20S | UEL207-104D1 | G1104KRRB    | WPS104GRC   | VE220  |
| 1 5/16"    | 207    | G1105KRRB    | EW207-21S | UEL207-105D1 | G1105KRRB    | WPS105GRC   | VE221  |
| 1 3/8"     | 207    | G106KRRB     | EW207-22S | UEL207-106D1 | G1106KRRB    | WPS106GRC   | VE222  |
| 1 7/16"    | 207    | G1107KRRB    | EW207-23S | UEL207-107D1 | G1107KRRB    | WPS107GRC   | VE223  |
| 1 1/2"     | 208    | G1108KRRB    | EW208-24S | UEL208-108D1 | G1108KRRB    | WPS108GRC   | VE224  |
| 1 9/16"    | 208    | G1109KRRB    | EW208-25S | UEL208-109D1 | G1109KRRB    | WPS109GRC   | VE225  |
| 1 5/8"     | 209    | G1110KRRB    | EW209-26S | UEL209-110D1 | G1110KRRB    | WPS110GRC   | VE226  |
| 1 11/16"   | 209    | G1111KRRB    | EW209-27S | UEL209-111D1 | G1111KRRB    | WPS111GRC   | VE227  |
| 1 3/4"     | 209    | G1112KRRB    | EW209-28S | UEL209-112D1 | G1112KRRB    | WPS112GRC   | VE228  |
| 1 7/8"     | 210    | G1114KRRB    | EW210-30S | UEL210-114D1 | G1114KRRB    | WPS114GRC   | VE230  |
| 1 15/16"   | 210    | G1115KRRB    | EW210-31S | UEL210-115D1 | G1115KRRB    | WPS115GRC   | VE231  |
| 2"         | 210    | G1200KRRB210 | EW210-32S | UEL210-200D1 | G1200KRRB210 | WPS11GR2C   | VE231S |
| 2"         | 211    | G1200KRRB    | EW211-32S | UEL211-200D1 | G1200KRRB    | WPS200GRC   | VE232  |
| 2 1/8"     | 211    | G1202KRRB    | EW211-34S | UEL211-202D1 | G1202KRRB    | -           | -      |
| 2 3/16"    | 211    | G1203KRRB    | EW211-35S | UEL211-203D1 | G1203KRRB    | WPS203GRC   | VE235  |
| 2 1/4"     | 212    | G1204KRRB    | EW212-36S | UEL212-204D1 | G1204KRRB    | WPS204GRC   | VE236  |
| 2 7/16"    | 212    | G1207KRRB    | EW212-39S | UEL212-207D1 | G1207KRRB    | WPS207GRC   | VE239  |

*\*Above items also available in "BED" code*

**Take a look at the Lawn Sweep in  
Section 12 of this Catalogue**

## HEAVY "GN300" SERIES INSERTS

- Regreasable
- Eccentric locking collar
- Heavy outer ring
- Thicker seal
- Maximum load



| PART NO.      | SERIES | I.D.                              | OUTER RING O.D. | WIDTH |
|---------------|--------|-----------------------------------|-----------------|-------|
| BED GN103KRRB | 306    | 1 <sup>3</sup> / <sub>16</sub> "  | 72              | 20    |
| BED GN104KRRB | 307    | 1 <sup>1</sup> / <sub>4</sub> "   | 80              | 23    |
| BED GN106KRRB | 307    | 1 <sup>3</sup> / <sub>8</sub> "   | 80              | 23    |
| BED GN107KRRB | 307    | 1 <sup>7</sup> / <sub>16</sub> "  | 80              | 23    |
| BED GN108KRRB | 308    | 1 <sup>1</sup> / <sub>2</sub> "   | 90              | 25    |
| BED GN110KRRB | 309    | 1 <sup>11</sup> / <sub>16</sub> " | 100             | 27    |
| BED GN112KRRB | 309    | 1 <sup>3</sup> / <sub>4</sub> "   | 100             | 27    |
| BED GN114KRRB | 310    | 1 <sup>7</sup> / <sub>8</sub> "   | 110             | 32    |
| BED GN115KRRB | 310    | 1 <sup>15</sup> / <sub>16</sub> " | 110             | 32    |
| BED GN200KRRB | 311    | 2"                                | 120             | 34    |
| BED GN203KRRB | 311    | 2 <sup>3</sup> / <sub>16</sub> "  | 120             | 34    |
| BED GN207KRRB | 312    | 2 <sup>7</sup> / <sub>16</sub> "  | 130             | 36    |

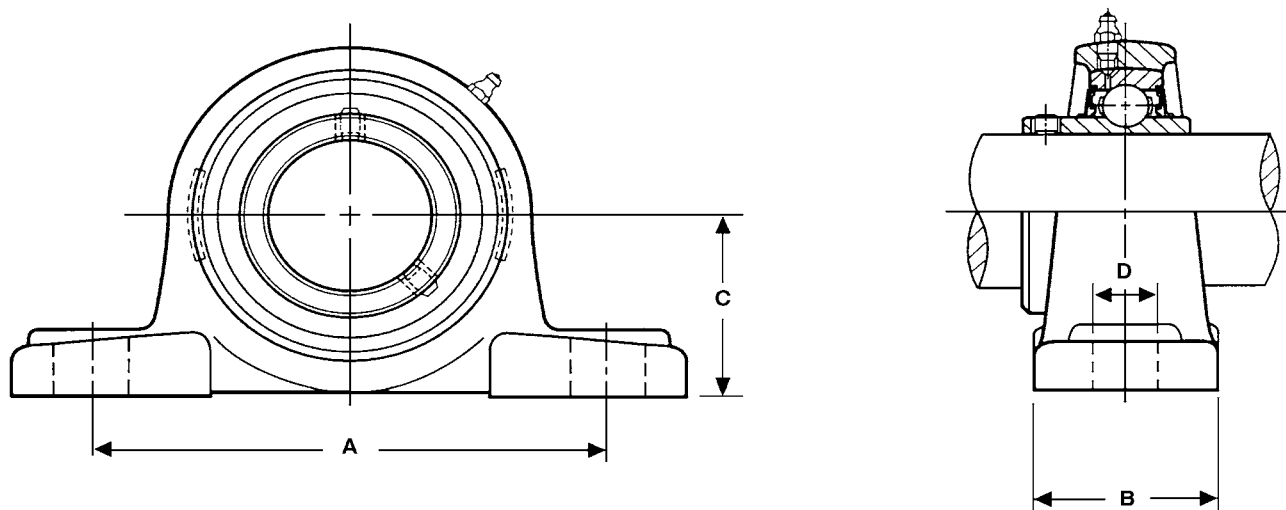
**WAP PILLOW BLOCK HOUSING**

- Can be used with SA, SB, UC & G...KRRB Series bearings
- Housings come with grease fittings. Except ENLP203
- Made of high quality cast iron
- Housings are 200 series standard duty
- Dimensions are industry standard

| PART NO.    | SERIES | FITS BRG. O.D. | A        | B        | C        | D      |
|-------------|--------|----------------|----------|----------|----------|--------|
| BEI ENLP203 | 203    | 40 mm          | 3 1/4"   | 1"       | 1 1/4"   | 7/16"  |
| BEI P204    | 204    | 47 mm          | 3 3/4"   | 1 1/2"   | 1 5/16"  | 1/2"   |
| BEI P205    | 205    | 52 mm          | 4 1/8"   | 1 1/2"   | 1 7/16"  | 1/2"   |
| BEI P206    | 206    | 62 mm          | 4 3/4"   | 1 7/8"   | 1 11/16" | 21/32" |
| BEI P207    | 207    | 72 mm          | 5"       | 1 7/8"   | 1 7/8"   | 21/32" |
| BEI P208    | 208    | 80 mm          | 5 13/32" | 2 1/8"   | 1 15/16" | 21/32" |
| BEI P209    | 209    | 85 mm          | 5 3/4"   | 2 1/8"   | 2 1/8"   | 21/32" |
| BEI P210    | 210    | 90 mm          | 6 1/4"   | 2 3/8"   | 2 1/4"   | 25/32" |
| BEI P211    | 211    | 100 mm         | 6 23/32" | 2 3/8"   | 2 1/2"   | 25/32" |
| BEI P212    | 212    | 110 mm         | 7 1/4"   | 2 3/4"   | 2 3/4"   | 25/32" |
| BEI P213    | 213    | 120 mm         | 10 7/16" | 2 3/4"   | 3"       | 31/32" |
| BEI P215    | 215    | 130 mm         | 8 17/32" | 2 29/32" | 3 1/4"   | 1"     |

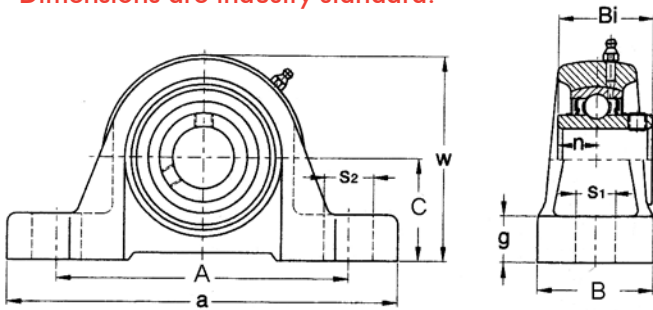
*Notes:*

- There may be some slight variations to dimensions shown



**HEAVY SUPPORT RIBS**

- Can be used with SA, SB, UC & G...KRRB Series bearings.
- Housings come with grease fittings. Except ENLP203.
- Made of high quality cast iron.
- Housings are 200 series standard duty.
- Dimensions are industry standard.



| PART NO.  | SERIES | FITS BRG. O.D. | A        | B      | C        | D      |
|-----------|--------|----------------|----------|--------|----------|--------|
| BEI P205E | 205    | 52 mm          | 4 1/8"   | 1 1/2" | 1 7/16"  | 1/2"   |
| BEI P206E | 206    | 62 mm          | 4 3/4"   | 1 7/8" | 1 11/16" | 21/32" |
| BEI P207E | 207    | 72 mm          | 5"       | 1 7/8" | 1 7/8"   | 21/32" |
| BEI P208E | 208    | 80 mm          | 5 13/32" | 2 1/8" | 1 15/16" | 21/32" |
| BEI P209E | 209    | 85 mm          | 5 3/4"   | 2 1/8" | 2 1/8"   | 21/32" |
| BEI P210E | 210    | 90 mm          | 6 1/4"   | 2 3/8" | 2 1/4"   | 25/32" |
| BEI P211E | 211    | 100 mm         | 6 23/32" | 2 3/8" | 2 1/2"   | 25/32" |
| BEI P212E | 212    | 110 mm         | 7 1/4"   | 2 3/4" | 2 3/4"   | 25/32" |

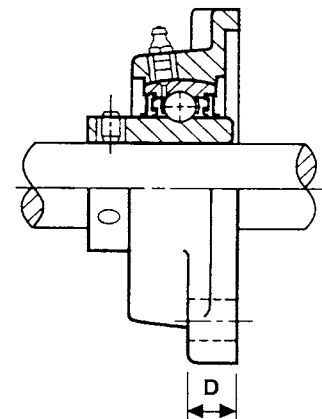
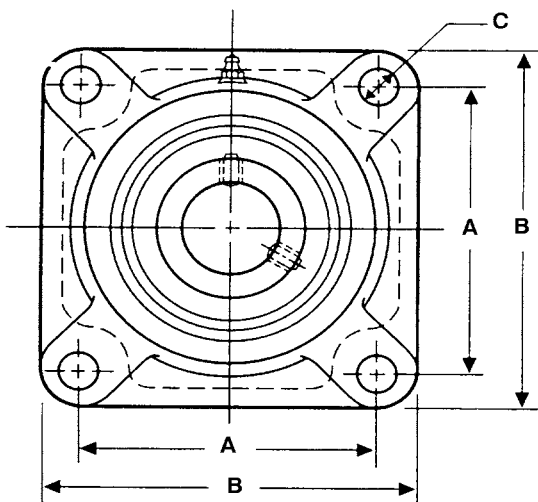
Notes:  
 - There may be some slight variations to dimensions shown

**FLANGE BLOCK HOUSING**

- Can be used with SA, SB, UC & G...KRRB Series bearings.
- Housings come with grease fittings.
- Made of high quality cast iron.
- Housings are 200 series standard duty.
- Dimensions are industry standard.

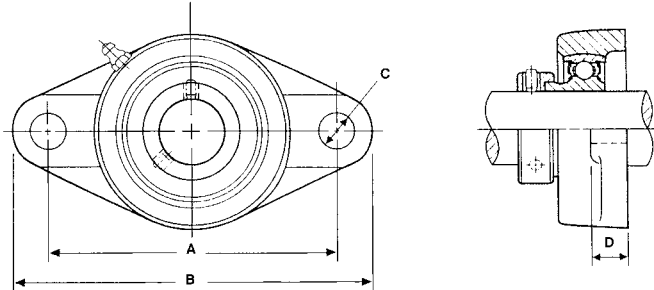
| PART NO. | SERIES | FITS BRG. O.D. | A        | B        | C      | D      |
|----------|--------|----------------|----------|----------|--------|--------|
| BEI F203 | 203    | 40 mm          | 2 33/64" | 3 3/8"   | 15/32" | 15/32" |
| BEI F204 | 204    | 47 mm          | 2 33/64" | 3 3/8"   | 15/32" | 15/32" |
| BEI F205 | 205    | 52 mm          | 2 3/4"   | 3 3/4"   | 15/32" | 9/16"  |
| BEI F206 | 206    | 62 mm          | 3 17/64" | 4 1/4"   | 15/32" | 9/16"  |
| BEI F207 | 207    | 72 mm          | 3 5/8"   | 4 19/32" | 35/64" | 5/8"   |
| BEI F208 | 208    | 85 mm          | 4 1/64"  | 5 1/8"   | 5/8"   | 5/8"   |
| BEI F209 | 209    | 85 mm          | 4 9/64"  | 5 13/32" | 5/8"   | 23/32" |
| BEI F210 | 210    | 90 mm          | 4 3/8"   | 5 5/8"   | 5/8"   | 23/32" |
| BEI F211 | 211    | 100 mm         | 5 1/8"   | 6 3/8"   | 21/32" | 25/32" |
| BEI F212 | 212    | 110 mm         | 5 5/8"   | 6 7/8"   | 21/32" | 25/32" |
| BEI F213 | 213    | 120 mm         | 5 55/64" | 7 1/4"   | 45/64" | 15/16" |
| BEI F215 | 215    | 130 mm         | 6 17/64" | 7 7/8"   | 25/32" | 15/16" |

Notes:  
 - G...KRRB & UC inserts may extend slightly beyond the back side of the flange block. This could be a problem on flush mounted applications.  
 - Some dimensions may vary slightly.



**WAP 2 BOLT FLANGE HOUSING**

- Can be used with SA, SB, UC & G...KRRB Series bearings
- Housings come with grease fittings.
- Made of high quality cast iron
- Housings are 200 series standard duty
- Dimensions are industry standard

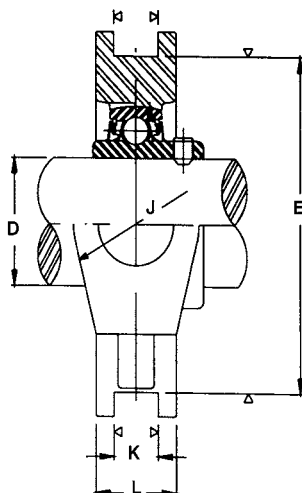
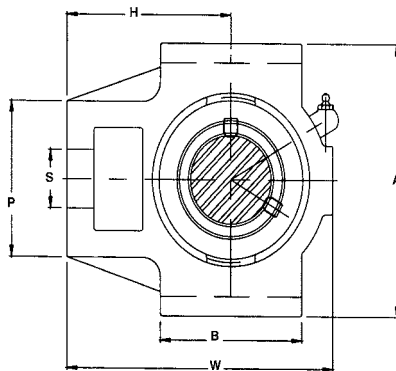


| PART NO.  | SERIES | FITS BRG. O.D. | A        | B        | C      | D      |
|-----------|--------|----------------|----------|----------|--------|--------|
| BEI FL203 | 203    | 40 mm          | 3 35/64" | 4 7/16"  | 15/32" | 7/16"  |
| BEI FL204 | 204    | 47 mm          | 3 35/64" | 4 7/16"  | 15/32" | 7/16"  |
| BEI FL205 | 205    | 52 mm          | 3 57/64" | 5 1/8"   | 5/8"   | 1/2"   |
| BEI FL206 | 206    | 62 mm          | 4 39/64" | 5 13/16" | 5/8"   | 1/2"   |
| BEI FL207 | 207    | 72 mm          | 5 1/8"   | 3 11/32" | 5/8"   | 9/16"  |
| BEI FL208 | 208    | 80 mm          | 5 43/64" | 6 7/8"   | 5/8"   | 9/16"  |
| BEI FL209 | 209    | 85 mm          | 5 53/64" | 7 13/32" | 3/4"   | 19/32" |
| BEI FL210 | 210    | 90 mm          | 6 3/16"  | 7 3/4"   | 3/4"   | 19/32" |

**Notes:**

- G...KRRB & UC inserts may extend slightly beyond the back side of the flange block. This could be a problem on flush applications.
- Some dimensions may vary slightly.

**WAP TAKE-UP HOUSING**

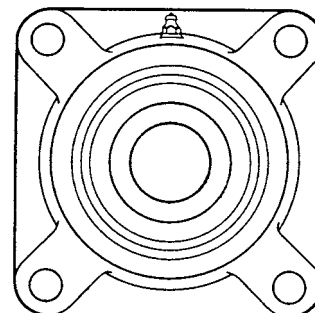
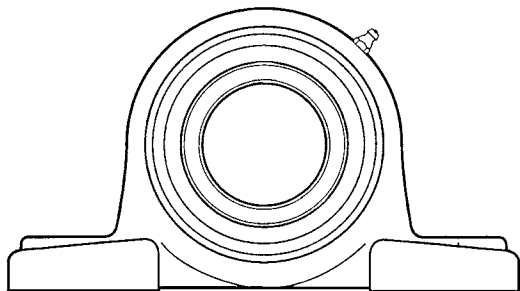


| UNIT NO. | DIMENSIONS (inches) |         |          |        |          |         |          |          |         |          | USE WITH BRG. SERIES |
|----------|---------------------|---------|----------|--------|----------|---------|----------|----------|---------|----------|----------------------|
|          | P                   | S       | B        | K      | E        | A       | W        | J        | L       | H        |                      |
| BEI T205 | 2"                  | 3/4"    | 2"       | 15/32" | 2 63/64" | 3 1/2"  | 3 13/16" | 1 1/4"   | 15/16"  | 2 7/16"  | 205                  |
| BEI T206 | 2 7/32"             | 55/64"  | 2 1/4"   | 15/32" | 3 1/2"   | 4 1/32" | 4 7/16"  | 1 15/32" | 1 3/32" | 2 3/4"   | 206                  |
| BEI T207 | 2 17/32"            | 55/64"  | 2 17/32" | 15/32" | 3 1/2"   | 4 1/32" | 5 3/32"  | 1 15/32" | 1 3/16" | 3 1/16"  | 207                  |
| BEI T208 | 3 9/32"             | 1 9/64" | 3 9/32"  | 5/8"   | 4 1/64"  | 4 1/2"  | 5 21/32" | 1 15/16" | 1 5/16" | 3 15/32" | 208                  |

**Notes:**

- Can be used with SA, SB, UC & G...KRRB series inserts
- Some dimensions may vary slightly
- These are housings only (no bearings)

## BEARING HOUSING &amp; INSERT COMPATIBILITY CHART



| 2 BOLT HOUSING NO.                | 4 BOLT HOUSING NO.              | SHAFT SIZE                             | USE WITH SEALED OR REGREASABLE BEARING WITH ECCENTRIC COLLAR     | USE SEALED BEARING WITH SET SCREW LOCK | USE WIDE RING BEARING WITH SET SCREW COLLAR  | USE WIDE RING BEARING WITH ECCENTRIC LOCK           |
|-----------------------------------|---------------------------------|--|--|--|--|---|
| BEI ENLP203<br>Fits 40 mm OD brg. | BEI F203<br>Fits 40 mm OD brg   | 1/2"<br>5/8"                           | SA203-08 or G<br>SA203-10 or G                                   | -<br>-                                 | UC201-08<br>UC201-10                         | -<br>-  |
| BEI P204<br>Fits 47 mm OD brg.    | BEI F204<br>Fits 47 mm OD brg   | 1/2"<br>5/8"<br>3/4"                   | -<br>-<br>SA204-12 or G  | -<br>-<br>SB204-12                     | -<br>UC203-10<br>UC204-12                    | G1008KRRB<br>G1010KRRB<br>G1012KRRB                 |
| BEI P205<br>Fits 52 mm OD brg.    | BEI F205<br>Fits 52 mm OD brg   | 7/8"<br>5/16"<br>1"                    | SA205-14 or G<br>SA205-15 or G<br>SA205-16 or G                  | SB205-14<br>SB205-15<br>SB205-16       | UC205-14<br>UC205-15<br>UC205-16             | G1014KRRB<br>G1015KRRB<br>G1100KRRB                 |
| BEI P206<br>Fits 62 mm OD brg.    | BEI F206<br>Fits 62 mm OD brg   | 1 1/16"<br>1 1/8"<br>1 3/16"<br>1 1/4" | SA206-17 or G<br>SA206-18 or G<br>SA206-19 or G<br>SA206-20 or G | -<br>SB206-18<br>SB206-19<br>SB206-20  | UC206-17<br>UC206-18<br>UC206-19<br>UC206-20 | G1101KRRB<br>G1102KRRB<br>G1103KRRB<br>G1104KRRB206 |
| BEI P207<br>Fits 72 mm OD brg.    | BEI F207<br>Fits 72 mm OD brg   | 1 1/4"<br>1 5/16"<br>1 3/8"<br>1 7/16" | SA207-20 or G<br>SA207-21 or G<br>SA207-22 or G<br>SA207-23 or G | SB207-20<br>-<br>SB207-22<br>SB207-23  | UC207-20<br>UC207-21<br>UC207-22<br>UC207-23 | G1104KRRB<br>G1105KRRB<br>G1106KRRB<br>G1107KRRB    |
| BEI P208<br>Fits 80 mm OD brg.    | BEI F208<br>Fits 80 mm OD brg.  | 1 1/2"                                 | SA208-24 or G  | SB208-24                               | UC208-24                                     | G1108KRRB   |
| BEI P209<br>Fits 85 mm OD brg.    | BEI F209<br>Fits 85 mm OD brg   | 1 5/8"<br>1 11/16"<br>1 3/4"           | SA209-26 or G<br>SA209-27 or G<br>SA209-28 or G                  | -<br>-<br>-                            | UC209-26<br>UC209-27<br>UC209-28             | G1110KRRB<br>G1111KRRB<br>G1112KRRB                 |
| BEI P210<br>Fits 90 mm OD brg.    | BEI F210<br>Fits 90 mm OD brg   | 1 7/8"<br>1 15/16"<br>2"               | SA210-30 or G<br>SA210-31 or G<br>SA210-32 or G                  | -<br>-<br>-                            | UC210-30<br>UC210-31<br>UC210-32             | G1114KRRB<br>G1115KRRB<br>G1200KRRB210              |
| BEI P211<br>Fits 100 mm OD brg.   | BEI F211<br>Fits 100 mm OD brg. | 2"<br>2 3/16"                          | SA211-32 or G<br>SA211-35 or G                                   | -<br>-                                 | UC211-32<br>UC211-35                         | G1200KRRB<br>G1203KRRB                              |
| BEI P212<br>Fits 110 mm OD brg.   | BEI F212<br>Fits 110 mm OD brg  | 2 1/4"<br>2 7/16"<br>2 3/8"            | -<br>-<br>-  | -<br>-<br>-                            | UC212-36<br>UC212-38<br>UC212-39             | G1204KRRB<br>-<br>G1207KRRB                         |
| BEI P213<br>Fits 120 mm OD brg.   | BEI F213<br>Fits 120 mm OD br   | 2 1/2"                                 | -  | -                                      | UC213-40                                     | G1208KRRB   |
| BEI P215<br>Fits 130 mm OD brg.   | BEI F215<br>Fits 130 mm OD brg  | 2 15/16"                               | -  | -                                      | UC215-47                                     | G1215KRRB   |

\*On some sizes of G...KRRB the inner ring may extend beyond the back mounting base of the flange housing

\*BEI housings can be used with BEI or BED bearings

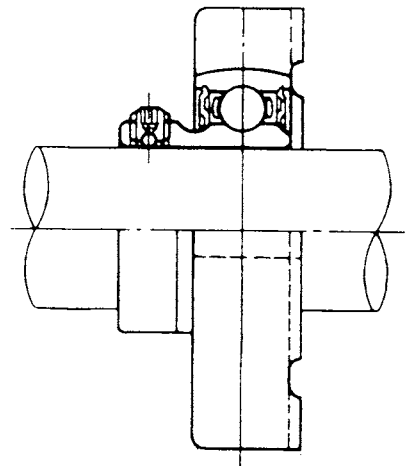
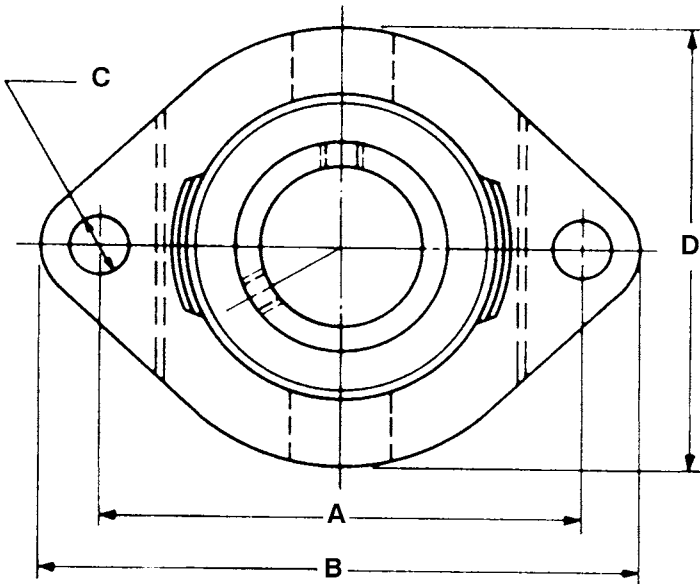


**WAP 2 BOLT "STUBBY" HOUSING**

- Can be used with SA, SB Series bearings.
- Made of high quality cast iron.
- Housings are complete with grease fittings.

| PART NO.  | SERIES | FITS BRG. O.D. | A                                 | B                                 | C                               | D                                 |
|-----------|--------|----------------|-----------------------------------|-----------------------------------|---------------------------------|-----------------------------------|
| BEI FD204 | 204    | 47 mm          | 2 <sup>25</sup> / <sub>32</sub> " | 3 <sup>17</sup> / <sub>32</sub> " | <sup>25</sup> / <sub>64</sub> " | 2 <sup>5</sup> / <sub>8</sub> "   |
| BEI FD205 | 205    | 52 mm          | 3"                                | 3 <sup>3</sup> / <sub>4</sub> "   | <sup>25</sup> / <sub>64</sub> " | 2 <sup>25</sup> / <sub>32</sub> " |
| BEI FD206 | 206    | 62 mm          | 4 <sup>7</sup> / <sub>16</sub> "  | 4 <sup>7</sup> / <sub>16</sub> "  | <sup>15</sup> / <sub>32</sub> " | 3 <sup>5</sup> / <sub>16</sub> "  |
| BEI FD207 | 207    | 72 mm          | 4 <sup>29</sup> / <sub>32</sub> " | 4 <sup>29</sup> / <sub>32</sub> " | <sup>15</sup> / <sub>32</sub> " | 3 <sup>11</sup> / <sub>16</sub> " |

*Note:*  
- Some dimensions may vary slightly

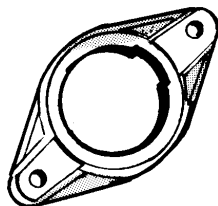




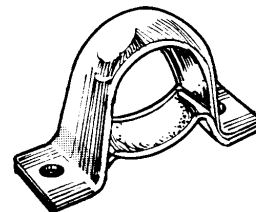
## BEARING HOUSINGS &amp; INSERT COMPATIBILITY CHART



2 BOLT STANDARD FLANGE HOUSING



2 BOLT STUBBY FLANGE HOUSING

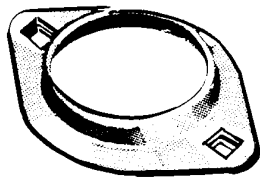


2 BOLT PRESSED STEEL HOUSING

| 2 BOLT STANDARD FLANGE HOUSING | 2 BOLT STUBBY FLANGE HOUSING | 2 BOLT PRESSED STEEL HOUSING | SHAFT SIZE                             | USE SEALED OR REGREASABLE BEARING WITH ECCENTRIC COLLAR          | USE SEALED BEARING WITH SET SCREW LOCK       | USE REGREASABLE BEARING WITH SET SCREW LOCK  |
|--------------------------------|------------------------------|------------------------------|--|--|--|--|
| BEI FL203                      | -                            | BED SP03                     | 1/2"<br>5/8"                           | SA203-08 or G<br>SA203-10 or G                                   | -<br>-                                       | UC201-08<br>UC210-10                         |
| BEI FL204                      | BEI FD204                    | BED SP04                     | 1/2"<br>5/8"<br>3/4"                   | -<br>-<br>SA204-12 or G  | -<br>-<br>SB204-12                           | UC201-08<br>UC203-10<br>-                    |
| BEI FL205                      | BEI FD205                    | BED SP05                     | 7/8"<br>15/16"<br>1"                   | SA205-14 or G<br>SA205-15 or G<br>SA205-16 or G                  | SB205-14<br>SB205-15<br>SB205-16             | UC205-14<br>UC205-15<br>UC205-16             |
| BEI FL206                      | BEI FD206                    | BED SP06                     | 1 1/16"<br>1 1/8"<br>1 3/16"<br>1 1/4" | SA206-17 or G<br>SA206-18 or G<br>SA206-19 or G<br>SA206-20 or G | -<br>SB206-18<br>SB206-19<br>SB206-20        | UC206-17<br>UC206-18<br>UC206-19<br>UC206-20 |
| BEI FL207                      | BEI FD207                    | BED SP07                     | 1 1/4"<br>1 5/16"<br>1 3/8"<br>1 7/16" | SA207-20 or G<br>SA207-21 or G<br>SA207-22 or G<br>SA207-23 or G | SB207-20<br>SB207-21<br>SB207-22<br>SB207-23 | UC207-20<br>UC207-21<br>UC207-22<br>UC207-23 |
| BEI FL208                      | -                            | -                            | 1 1/2"                                 | SA208-24 or G  | SB208-24                                     | UC208-24                                     |
| BEI FL209                      | -                            | -                            | 1 5/8"<br>1 11/16"<br>1 3/4"           | SA209-26 or G<br>SA209-27 or G<br>SA209-28 or G                  | -<br>-<br>-                                  | UC209-26<br>UC209-27<br>UC209-28             |
| BEI FL210                      | -                            | -                            | 1 7/8"<br>1 15/16"<br>2"               | SA210-30 or G<br>SA210-31 or G<br>SA210-32 or G                  | -<br>-<br>-                                  | UC210-30<br>UC210-31<br>UC210-32             |

\*These housings can be used with BEI or BED bearings

**PRESS STEEL FLANGES & INSERT COMPATIBILITY CHART**



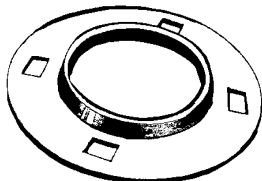
**\_\_MST SERIES 2 BOLT**



**\_\_MS SERIES - 3 BOLT**



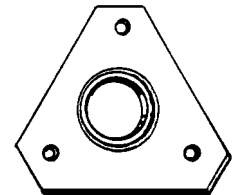
**G\_\_MS SERIES - 3 BOLT WITH GREASE FITTING**



**\_\_MS SERIES - 4 BOLT**



**GREASE FITTING**



**TRIANGULAR**

**G\_\_MS SERIES - 4 BOLT WITH**

**T\_\_MS SERIES - 3 BOLT**

USE THESE FLANGETTES...

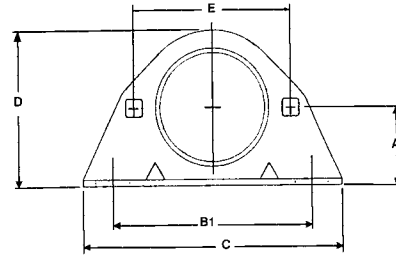
WITH THESE BEARINGS

| __MST SERIES                           | __MS SERIES                                      | G__MS SERIES                                      | T__MS SERIES                           | USE SEALED OR REGREASABLE BEARING WITH ECCENTRIC LOCK            | USE SEALED BEARING WITH SET SCREW LOCK       |
|--|--|---|--|--|--|
| <b>BED 40MST</b><br>Fits 40 mm OD brg. | <b>BED 40MS</b><br>3 Bolt<br>Fits 40 mm OD brg   | <b>BED G47MS</b><br>3 Bolt<br>Fits 40 mm OD brg   | <b>BED T40MS</b><br>Fits 40 mm OD brg. | SA203-08 or G<br>SA203-10 or G                                   | SA203-08<br>SA203-10                         |
| <b>BED 47MST</b><br>Fits 47 mm OD brg  | <b>BED 47MS</b><br>3 Bolt<br>Fits 47 mm OD brg   | -<br>3 Bolt<br>Fits 47 mm OD brg                  | <b>BED T47MS</b><br>Fits 47 mm OD brg. | SA204-12 or G  | SA204-12                                     |
| <b>BED 52MST</b><br>Fits 52 mm OD brg  | <b>BED 52MS</b><br>3 Bolt<br>Fits 52 mm OD brg   | <b>BED G52MS</b><br>3 Bolt<br>Fits 52 mm OD brg   | <b>BED T52MS</b><br>Fits 52 mm OD brg. | SA205-14 or G<br>SA205-15 or G<br>SA205-16 or G                  | SA205-14<br>SA205-15<br>SA205-16             |
| <b>BED 62MST</b><br>Fits 62 mm OD brg  | <b>BED 62MS</b><br>3 Bolt<br>Fits 62 mm OD brg   | <b>BED G62MS</b><br>3 Bolt<br>Fits 62 mm OD brg   | <b>BED T62MS</b><br>Fits 62 mm OD brg. | SA206-17 or G<br>SA206-18 or G<br>SA206-19 or G<br>SA206-20 or G | SA206-17<br>SA206-18<br>SA206-19<br>SA206-20 |
| <b>BED 72MST</b><br>Fits 72 mm OD brg  | <b>BED 72MS</b><br>3 Bolt<br>Fits 72 mm OD brg   | <b>BED G72MS</b><br>3 Bolt<br>Fits 72 mm OD brg   | <b>BED T72MS</b><br>Fits 72 mm OD brg. | SA207-20 or G<br>SA207-21 or G<br>SA207-22 or G<br>SA207-23 or G | SA207-20<br>SA207-21<br>SA207-22<br>SA207-23 |
| -                                      | <b>BED 80MS</b><br>4 Bolt<br>Fits 80 mm OD brg   | <b>BED G80MS</b><br>4 Bolt<br>Fits 80 mm OD brg   | -                                      | SA208-24 or G  | SA208-24                                     |
| -                                      | <b>BED 85MS</b><br>4 Bolt<br>Fits 85 mm OD brg   | <b>BED G85MS</b><br>4 Bolt<br>Fits 85 mm OD brg   | -                                      | SA209-26 or G<br>SA209-27 or G<br>SA209-28 or G                  | -  |
| -                                      | <b>BED 90MS</b><br>4 Bolt<br>Fits 90 mm OD brg   | <b>BED G90MS</b><br>4 Bolt<br>Fits 90 mm OD brg   | -                                      | -<br>SA210-31 or G<br>SA210-32 or G                              | -  |
| -                                      | <b>BED 100MS</b><br>4 Bolt<br>Fits 100 mm OD brg | <b>BED G100MS</b><br>4 Bolt<br>Fits 100 mm OD brg | -                                      | SA211-35 or G  | -  |

*\*Above flanges are of plain steel (not plated)*

## PILLOW BLOCK STANDS

Our MPB - Stands are excellent quality parts which are used where speeds are moderate and loads are medium. These are used in place of the expensive Cast Iron or Malleable Iron Pillow Block units, under above conditions. A 40MST, 47MST, 52MST, 62MST or 72MST Flange is required to retain ball bearing when bolted together.



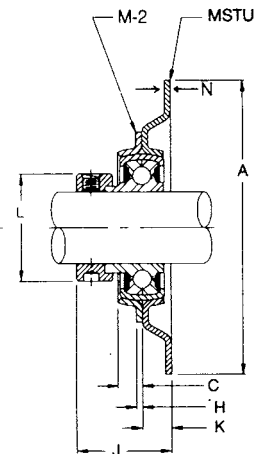
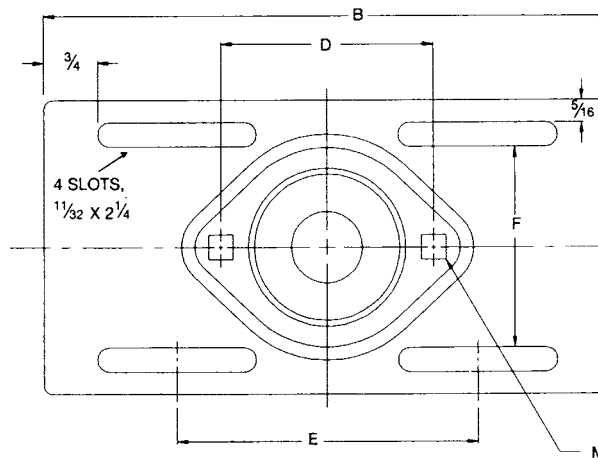
All of these parts are zinc plated.  
For use with round outer race bearing inserts

| UNIT PART NO.   | A                                 | B1                                | C                               | D                                 | E                                 | MATING FLANGE # |
|-----------------|-----------------------------------|-----------------------------------|---------------------------------|-----------------------------------|-----------------------------------|-----------------|
| BED 40MPB-STAND | 1 <sup>3</sup> / <sub>16</sub> "  | 3 <sup>5</sup> / <sub>8</sub> "   | 4 <sup>7</sup> / <sub>8</sub> " | 2 <sup>11</sup> / <sub>32</sub> " | 2 <sup>1</sup> / <sub>2</sub> "   | BED 40MST       |
| BED 47MPB-STAND | 1 <sup>5</sup> / <sub>16</sub> "  | 3 <sup>13</sup> / <sub>16</sub> " | 5"                              | 2 <sup>11</sup> / <sub>16</sub> " | 2 <sup>13</sup> / <sub>16</sub> " | BED 47MST       |
| BED 52MPB-STAND | 1 <sup>7</sup> / <sub>16</sub> "  | 3 <sup>3</sup> / <sub>4</sub> "   | 5 <sup>1</sup> / <sub>4</sub> " | 2 <sup>27</sup> / <sub>32</sub> " | 3"                                | BED 52MST       |
| BED 62MPB-STAND | 1 <sup>11</sup> / <sub>16</sub> " | 4 <sup>11</sup> / <sub>16</sub> " | 6 <sup>1</sup> / <sub>4</sub> " | 3 <sup>11</sup> / <sub>32</sub> " | 3 <sup>9</sup> / <sub>16</sub> "  | BED 62MST       |
| BED 72MPB-STAND | 1 <sup>7</sup> / <sub>8</sub> "   | 5"                                | 6 <sup>1</sup> / <sub>2</sub> " | 3 <sup>23</sup> / <sub>32</sub> " | 3 <sup>15</sup> / <sub>16</sub> " | BED 72MST       |

\*Must use a mating flange to hold bearing in place.

## STAMPED TAKE-UP UNITS

These Zinc plated light duty pressed steel tightening and adjustment units are designed to be used with standard 2-bolt flanges and ball bearings with spherical OD. Two-bolt flanges sold separately.



For use with round outer race bearing inserts

| PART NUMBER | A                               | B  | C                               | D                                | E                               | F                                 | H     | J                                 | K                               | L                               | M                               | N     | RADICAL LOAD RATING | MATING FLANGE NO. |
|-------------|---------------------------------|----|---------------------------------|----------------------------------|---------------------------------|-----------------------------------|-------|-----------------------------------|---------------------------------|---------------------------------|---------------------------------|-------|---------------------|-------------------|
| BED 52MSTU  | 4 <sup>1</sup> / <sub>8</sub> " | 8" | <sup>11</sup> / <sub>32</sub> " | 3"                               | 4 <sup>1</sup> / <sub>4</sub> " | 2 <sup>13</sup> / <sub>16</sub> " | .083" | 1 <sup>5</sup> / <sub>16</sub> "  | <sup>13</sup> / <sub>32</sub> " | 1 <sup>1</sup> / <sub>2</sub> " | <sup>11</sup> / <sub>32</sub> " | .083" | 1000                | BED 52MST         |
| BED 62MSTU  | 4 <sup>1</sup> / <sub>2</sub> " | 8" | <sup>11</sup> / <sub>32</sub> " | 3 <sup>9</sup> / <sub>16</sub> " | 4 <sup>1</sup> / <sub>4</sub> " | 3 <sup>3</sup> / <sub>16</sub> "  | .104" | 1 <sup>15</sup> / <sub>32</sub> " | <sup>7</sup> / <sub>16</sub> "  | 1 <sup>3</sup> / <sub>4</sub> " | <sup>13</sup> / <sub>32</sub> " | .104" | 1400                | BED 62MST         |

\*Each MSTU requires a two-bolt flange as noted. (Must be ordered separately)

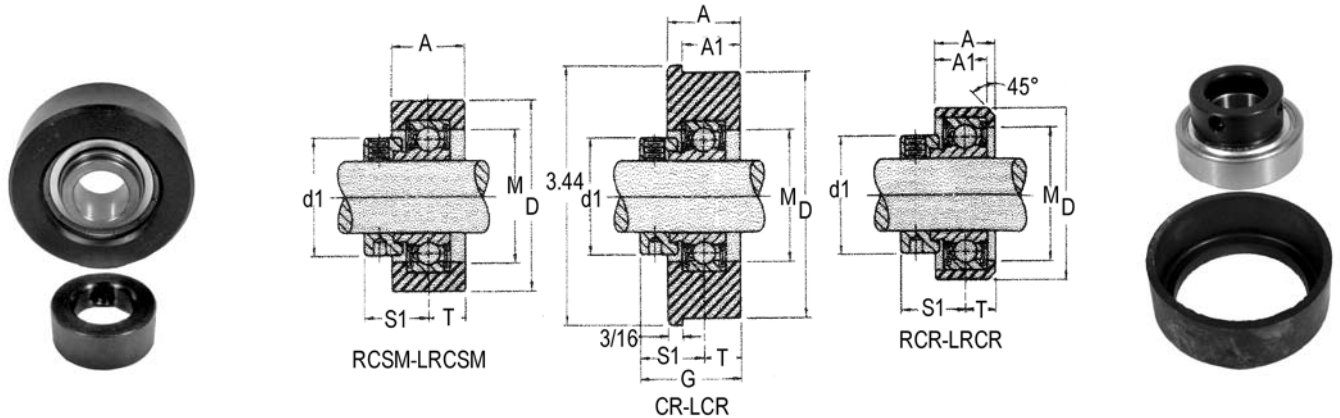
I.E.: For 52MSTU use 52MST mating flange

For 62MSTU use 62MST mating flange

**FURNACE BEARINGS**

**Rubber Cartridges**

Light Duty  
Eccentric Locking Collar



| PART NO.     | SHAFT DIA. (") | D               | A             | A1            | G     | M               | d1             | S1            | T            |
|--------------|----------------|-----------------|---------------|---------------|-------|-----------------|----------------|---------------|--------------|
| BED RCSM-12  | 3/4            | 2 17/32<br>64.3 | 1<br>25.4     | -             | 17.39 | 1 9/16<br>39.7  | 1 5/16<br>33.3 | 59/64<br>23.4 | 1/2<br>12.7  |
| BED RCSM-16  | 1              | 2 17/32<br>64.3 | 1<br>25.4     | -             | 17.99 | 1 25/32<br>45.2 | 1 1/2<br>38.1  | 59/64<br>23.4 | 1/2<br>12.7  |
| BED LRCSM-12 | 3/4            | 1 13/16<br>46   | 23/32<br>18.3 | 5/8<br>151.9  | 17.17 | 1 3/8<br>34.9   | 1 3/16<br>30.2 | 47/64<br>18.7 | 25/64<br>9.9 |
| BED RCR-16   | 1              | 1 1/4<br>57.2   | 25/32<br>19.8 | 11/16<br>17.5 | 15.17 | 1 3/4<br>44.4   | 1 1/2<br>38.1  | 59/64<br>23.4 | 25/64<br>9.9 |

**BALL TRANSFERS**

**Flange Mounted**



This all steel column has a two-hole flanged base for easy mounting and is designed for ball-up application only.

**Stud Mounted**

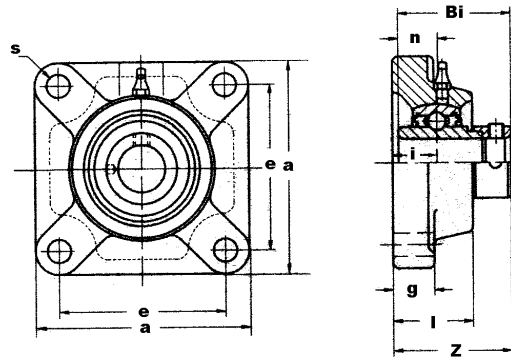


Designed for multiple unit installation, these transfers have a drawn steel housing. The unit is engineered for ball up or ball down mounting.

| PART NO.    | LOAD RATING | COATING     |
|-------------|-------------|-------------|
| BED WSFI-25 | 125 lbs.    | Zinc Plated |

| PART NO.    | LOAD RATING | COATING     |
|-------------|-------------|-------------|
| BED WSLM-25 | 125 lbs.    | Black Oxide |

**DEEP FLANGE BLOCK HOUSINGS**



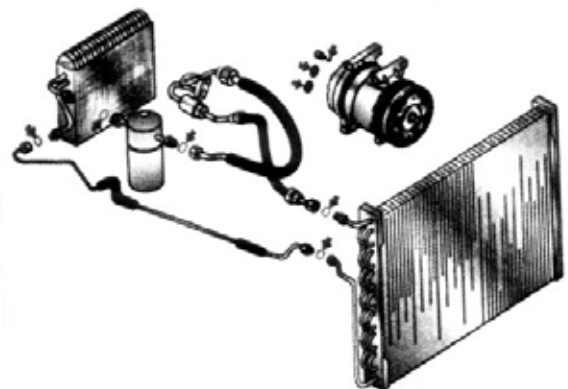
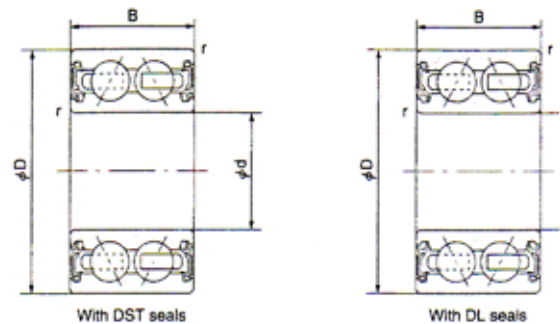
- Can be used with SA, SB, UC & G...KRRB series bearings.
- Housing comes with grease fittings.
- Made of high quality cast iron.
- Ideal for disc bearings because of depth.

| PART NO.  | BRG. O.D. | a              | e              | i            | g           | l             | s         | z               | Bi            | n             | Bolt Size  |
|-----------|-----------|----------------|----------------|--------------|-------------|---------------|-----------|-----------------|---------------|---------------|------------|
| BED FS208 | 80 mm     | 5 5/64<br>129  | 4<br>101.5     | 15/16<br>24  | 21/32<br>17 | 1 17/32<br>39 | 5/8<br>16 | 2 21/64<br>58.9 | 2.217<br>56.3 | 0.843<br>21.4 | 1/2<br>M12 |
| BED FS209 | 85 mm     | 5 5/16<br>135  | 4 1/8<br>105   | 15/16<br>24  | 23/32<br>18 | 1 9/16<br>40  | 5/8<br>16 | 2 21/64<br>58.9 | 2.217<br>56.3 | 0.843<br>21.4 | 1/2<br>M12 |
| BED FS210 | 90 mm     | 5 5/8<br>143   | 4 3/8<br>111   | 1 3/32<br>28 | 25/32<br>20 | 1 25/32<br>45 | 5/8<br>16 | 2 19/32<br>66.1 | 2.469<br>62.7 | 0.969<br>24.6 | 5/8<br>M16 |
| BED FS211 | 100 mm    | 6 3/8<br>162   | 5 1/8<br>130   | 1 1/4<br>31  | 13/16<br>21 | 1 59/64<br>49 | 3/4<br>19 | 2 15/16<br>74.6 | 2.811<br>71.4 | 1.091<br>27.7 | 5/8<br>M16 |
| BED FS214 | 125 mm    | 7 13/32<br>188 | 5 31/32<br>152 | 1 1/2<br>38  | 29/32<br>23 | 2 3/8<br>60   | 3/4<br>19 | 3 35/64<br>89.6 | 3.374<br>85.7 | 1.343<br>34.1 | 5/8<br>M18 |

**NACHI COMPRESSOR & AIR CONDITIONER BEARINGS**

Double-row Angular Contact Ball Bearings for Car Air Conditioning Magnetic Clutch

| PART NO.           | MAKER                 | SIZE |      |           |
|--------------------|-----------------------|------|------|-----------|
|                    |                       | BORE | O.D. | WIDTH     |
| BED 25BCS11        | York                  | 25   | 62   | 11.3      |
| BED 30BG05S2G-2DS  | Toyota, Honda, Ford   | 30   | 52   | 22        |
| BED 30BCS6         | Tecumseh              | 30   | 62   | 11.3      |
| BED 30BG05S5G-2DS  | Ford                  | 30   | 55   | 23        |
| BED 30BGS1-2NSL    | Chrysler              | 30   | 62   | 26.988    |
| BED 32BG05S1-2DST  | Mazda                 | 32   | 55   | 23        |
| BED 35BG05S7G-2DST | Mitsubishi            | 35   | 50   | 20        |
| BED 35BG05G-2DS    | GM, Honda, Nissan     | 35   | 55   | 20        |
| BED 38BG05S2G-2DS  | Suzuki, Daihatsu, Geo | 38   | 54   | 17        |
| BED 40BG05S1G-2DS  | Europe                | 40   | 57   | 20.24     |
| BED 40BG05S2G-2DS  | Mitsubishi            | 40   | 57   | 24        |
| BED 40BGS8G-2DS    | GM                    | 40   | 62   | 20.625    |
| BED 40BGS11G-2DS   | Ford, Chrysler        | 40   | 62   | 24        |
| BED 40BGS12G-2DS   | Ford, Chrysler        | 40   | 62   | 20.625/24 |



**WESTWARD PARTS CAN ALSO SUPPLY THESE BEARINGS**



Series 51100 & 51200 thrust ball bearings



Series 22200 & 22300 spherical roller bearings



Series 200 & 300 cylindrical roller bearings



Series 1200, 1300, 2200 & 2300 2 row self aligning bearings



Series 7200 & 7300 angular contact bearings

**FOR AVAILABILITY ON THE ABOVE SERIES  
OF BEARINGS, CONTACT YOUR NEAREST  
WESTWARD PARTS WAREHOUSE**

**DISC HARROW BEARINGS**

- Triple Lip Seal
- Non-Relubricatable Type (Sealed)
- Cylindrical O.D. (Flat)

**Round Bore - Flat O.D.**

| PART NO.     | TYPE | BORE<br>d | OUTSIDE<br>DIAMETER<br>D | RING WIDTH |            |
|--------------|------|-----------|--------------------------|------------|------------|
|              |      |           |                          | B<br>INNER | C<br>OUTER |
| BEI WP210PP2 | 2    | 1 15/16"  | 90 mm                    | 1 3/16"    | 1 3/16"    |

**Square Bore - Flat O.D.**

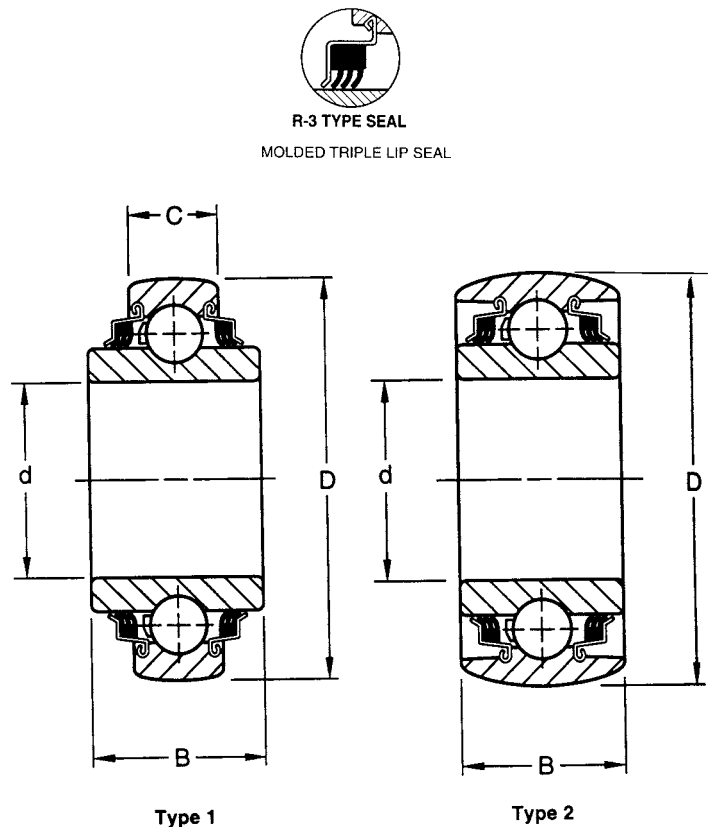
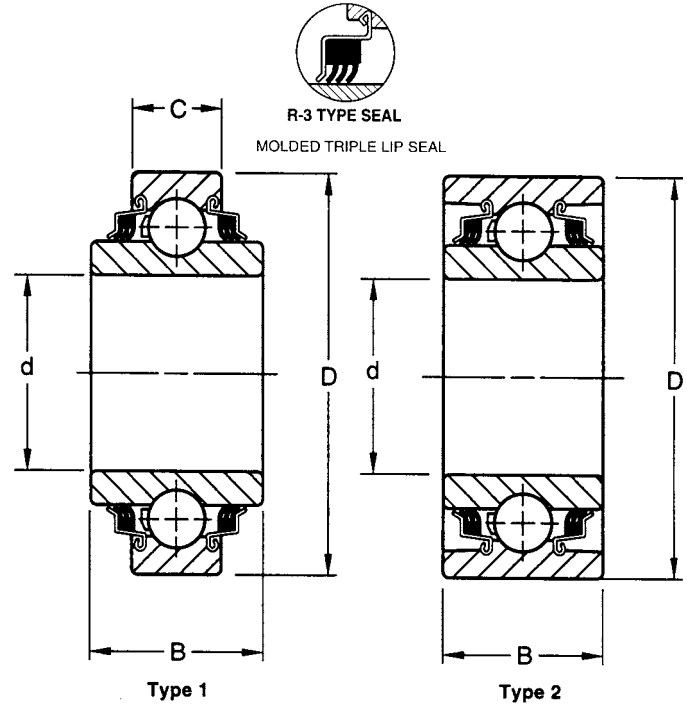
| PART NO.    | TYPE | BORE<br>d | OUTSIDE<br>DIAMETER<br>D | RING WIDTH |            |
|-------------|------|-----------|--------------------------|------------|------------|
|             |      |           |                          | B<br>INNER | C<br>OUTER |
| BEI W208PP5 | 1    | 1"        | 80 mm                    | 1 7/16"    | 45/64"     |
| BEI W208PP8 | 1    | 1 1/8"    | 80 mm                    | 1 7/16"    | 1 3/16"    |
| BEI W211PP3 | 2    | 1 1/2"    | 100 mm                   | 1 5/16"    | 1 5/16"    |
| BEI W211PP5 | 1    | 1 1/2"    | 4"                       | 1 3/4"     | 1 7/16"    |

**Round Bore - Round O.D.**

| PART NO.      | TYPE | BORE<br>d | OUTSIDE<br>DIAMETER<br>D | RING WIDTH |            |
|---------------|------|-----------|--------------------------|------------|------------|
|               |      |           |                          | B<br>INNER | C<br>OUTER |
| BEI W208PPB7  | 1    | 1 3/16"   | 80 mm                    | 1 3/16"    | 45/64"     |
| BEI W208PPB2  | 1    | 1 1/2"    | 80 mm                    | 1 11/16"   | 45/64"     |
| BEI W209PPB2  | 2    | 45 mm     | 85 mm                    | 1 3/16"    | 1 3/16"    |
| BEI W209PPB4  | 2    | 39 mm     | 85 mm                    | 1 3/16"    | 1 3/16"    |
| BEI W210PPB2  | 2    | 1 15/16"  | 90 mm                    | 1 3/16"    | 1 3/16"    |
| BEI B211PPB2  | 2    | 2 3/16"   | 100 mm                   | 1 5/16"    | 1 3/16"    |
| BEI W214PPB9  | 1    | 2 49/64"  | 125 mm                   | 1 3/4"     | 20 mm      |
| BEI W208PPB23 | 1    | 1 1/2"    | 80 mm                    | 1.688"     | 1.188"     |

**Square Bore - Round O.D.**

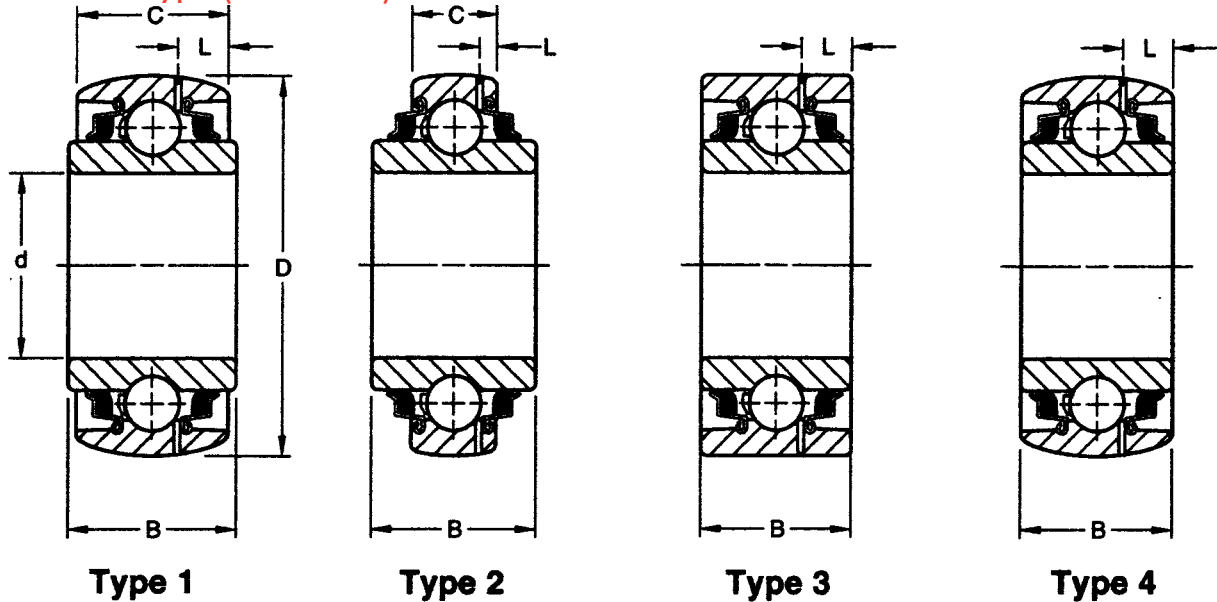
| PART NO.      | TYPE | BORE<br>d | OUTSIDE<br>DIAMETER<br>D | RING WIDTH |            |
|---------------|------|-----------|--------------------------|------------|------------|
|               |      |           |                          | B<br>INNER | C<br>OUTER |
| BEI W208PPB6  | 1    | 1"        | 80 mm                    | 1 7/16"    | 45/64"     |
| BEI W208PPB5  | 1    | 1 1/8"    | 80 mm                    | 1 7/16"    | 45/64"     |
| BEI W208PPB9  | 1    | 1 7/8"    | 80 mm                    | 1 7/16"    | 1 3/16"    |
| BEI W29PPB5   | 1    | 1 1/4"    | 85 mm                    | 1 7/16"    | 1 3/16"    |
| BEI W210PPB4  | 2    | 1 1/8"    | 90 mm                    | 1 3/16"    | 1 3/16"    |
| BEI W208PPB12 | 1    | 1 1/8"    | 3.376"                   | 1 7/16"    | 1 3/16"    |
| BEI W208PPB11 | 1    | 7/8"      | 3.376"                   | 1 7/16"    | 1 3/16"    |
| BEI W211PPB3  | 2    | 1 1/2"    | 100 mm                   | 1.312"     | 1.312"     |
| BEI W208PPB8  | 1    | 1 1/8"    | 80 mm                    | 1.438"     | 1.188"     |





**WAP DISC HARROW BEARINGS**

- Triple Lip Seal
- Relubricatable Type (Greaseable)



**Round Bore**

| PART NO.       | TYPE | BORE<br>d | OUTSIDE<br>DIAM-<br>ETER<br>D | B<br>INNER | C<br>OUTER |
|----------------|------|-----------|-------------------------------|------------|------------|
| BEI GW210PP2   | 3    | 1 15/16"  | 80 mm                         | 1 3/16"    | 1 3/16"    |
| BEI GW209PPB4  | 4    | 39 mm     | 85 mm                         | 1 3/16"    | 1 3/16"    |
| BEI GW209PPB2  | 4    | 45 mm     | 85 mm                         | 1 3/16"    | 1 3/16"    |
| BEI GW209PPB11 | 2    | 1 25/32"  | 85 mm                         | 1 7/16"    | 22 mm      |
| BEI GW209PPB13 | 1    | 1.769"    | 85 mm                         | 36.42      | 30.18 mm   |
| BEI GW210PPB5  | 4    | 1.785"    | 90 mm                         | 1 3/16"    | 1 3/16"    |
| BEI GW210PPB2  | 4    | 1 15/16"  | 90 mm                         | 1 3/16"    | 1 3/16"    |
| BEI GW211PPB10 | 4    | 1 15/16"  | 100 mm                        | 1 5/16"    | 5/16"      |
| BEI GW211PPB13 | 2    | 1.785     | 100 mm                        | 1.312      | 25 mm      |
| BEI GW211PP2   | 3    | 2 3/16"   | 100 mm                        | 1 5/16"    | 1 5/16"    |
| BEI GW211PPB2  | 4    | 2 3/16"   | 100 mm                        | 1 5/16"    | 1 5/16"    |
| BEI GW211PPB9  | 2    | 2.195"    | 100 mm                        | 1 9/16"    | 63/64"     |
| BEI GW214PPB5  | 1    | 70 mm     | 125 mm                        | 2 7/16"    | 1 9/16"    |
| BEI GW214PPB3  | 1    | 1 15/16"  | 125 mm                        | 1 9/16"    | 1 9/16"    |

**Square Bore**

| PART NO.      | TYPE | BORE<br>d | OUTSIDE<br>DIAM-<br>ETER<br>D | B<br>INNER | C<br>OUTER |
|---------------|------|-----------|-------------------------------|------------|------------|
| BEI GW208PPB6 | 2    | 1"        | 80 mm                         | 1 7/16"    | 53/64"     |
| BEI GW208PPB5 | 2    | 1 1/8"    | 80 mm                         | 1 7/16"    | 53/64"     |
| BEI GW208PPB8 | 1    | 1 1/8"    | 80 mm                         | 1 7/16"    | 1 3/16"    |
| BEI GW209PPB5 | 1    | 1 1/4"    | 85 mm                         | 1 7/16"    | 1 3/16"    |
| BEI GW209PPB8 | 2    | 1 1/4"    | 85 mm                         | 1 7/16"    | 22 mm      |
| BEI GW210PPB4 | 4    | 1 1/8"    | 90 mm                         | 1 3/16"    | 1 3/16"    |
| BEI GW211PP3  | 3    | 1 1/2"    | 100 mm                        | 1 5/16"    | 1 5/16"    |
| BEI GW211PPB3 | 4    | 1 1/2"    | 100 mm                        | 1 5/16"    | 1 5/16"    |
| BEI GW208PP17 | 3    | 1 1/8"    | 3.376                         | 1.458      | 1.188      |



R-3 TYPE SEAL

MOLDED TRIPLE LIP SEAL



## DISC HARROW BEARING INTERCHANGE

| PART NO        | FAFNIR     | NDH       | BCA        | NTN            |
|----------------|------------|-----------|------------|----------------|
| BEI W208PPB2   | W208PPB2   | -         | DS208TT2A  | 2AC08-1.1/2    |
| BEI W208PPB4   | W208PPB4   | -         | DS208TT4   | -              |
| BEI W208PPB5   | W208PPB5   | AS4508BJ  | DS208TT5   | 1AS08-1.1/8    |
| BEI W208PPB6   | W208PPB6   | AS4508BK- | DS208TT6   | 1AS08-1        |
| BEI W208PPB7   | W208PPB4   | -         | DS208TT7   | AC08-1.3/16    |
| BEI W208PPB8   | W208PPB8   | AS4508EF  | DS208TT8   | 2AS08-1.1/8    |
| BEI W208PPB9   | W208PPB9   | AS4508BE  | DS208TT9   | 2AS08-1        |
| BEI W208PPB11  | W208PPB11  | AS4508FC  | DS208TT11  | 4AS08-7/8      |
| BEI W208PPB12  | W208PPB12  | AS4508BC  | DS208TT12  | 4AS08-1.1/8    |
| BEI W208PPB13  | W208PPB13  | AS4508FF  | DS208TT13  | 1AS08-7/8      |
| BEI W208PPB16  | W208PPB16  | -         | HPS104TR   | -              |
| BEI W208PPB23  | W208PPB23  | -         | DS208TT2A  | -              |
| BEI W209PPB2   | W209PPB2   | AS4509BE  | DS209TT2   | 3AS09          |
| BEI W209PPB4   | W209PPB4   | AS4509BD  | DS209TT4   | 3AC09-1.1/2    |
| BEI W209PPB5   | W209PPB5   | AS4509A   | DS209TT5   | 2AS09-1.1/4    |
| BEI W209PPB6   | W209PPB6   | AS4509B   | DS209TT6   | -              |
| BEI W209PPB7   | W209PPB7   | AS4509AC  | DS209TT7   | 4AS09-1.1/4    |
| BEI W209PPB8   | W209PPB8   | -         | DS209TT8   | 2AS09-1.1/4    |
| BEI W210PPB2   | W210PPB2   | -         | DS210TT2   | 3AC10-1.15/16  |
| BEI W210PPB4   | W210PPB4   | -         | DS210TT4   | 3AS10-1.1/8    |
| BEI W210PPB5   | W210PPB5   | AS4510D   | DS210TT5   | 3AC10-1.3/4    |
| BEI W210PPB6   | W210PPB6   | -         | DS210TT6   | 2AS10-1.1/8    |
| BEI W211PPB2   | W211PPB2   | -         | DS211TT2   | 3AS11-2.3/16   |
| BEI W211PPB3   | W211PPB3   | AS4511BE  | DS211TT3   | 3AS11-1.1/2    |
| BEI W211PPB6   | W211PPB6   | AS4511AC  | DS211TT6   | 4AS11-1.1/2    |
| BEI W214PPB9   | W214PPB9   | -         | -          | -              |
| BEI W208PP5    | W208PPB5   | AS4508BH  | DC208TT5   | 5AS08-1.1/8    |
| BEI W208PPB6   | W208PP6    | -         | DC208TT6   | 5AS08-1        |
| BEI W208PP8    | W208PP8    | AS4508BD  | DC208TT8   | 6AS08-1.1/8    |
| BEI W208PP10   | W208PP10   | -         | DC208TT10  | -              |
| BEI W210PP2    | W210PP2    | -         | DC210TT2   | 7AC10-1.15/16  |
| BEI W210PP4    | W210PP4    | AS4510B   | DC210TT4   | 7AS10-1.1/8    |
| BEI W211PP2    | W211PP2    | AS4511C   | DC211TT2   | 7AC11-2.3/16   |
| BEI W211PP3    | W211PP3    | AS4511DB  | DC211TT3   | 7AS11-1.1/2    |
| BEI W211PP5    | W211PP5    | AS4511AE  | DC211TT5   | 6AS11-1.1/2V1  |
| BEI GW208PPB5  | GW2008PPB5 | RAS4508BJ | DS208TTR1  | 1AS08-1.5/32D1 |
| BEI GW208PPB6  | GW208PPB6  | RAS4508AE | DS208TTR6  | -              |
| BEI GW208PPB8  | GW208PPB8  | RAS4508EF | DS208TTR8  | 2AS08-1.1/8D1  |
| BEI GW209PPB2  | GW209PPB2  | RAS4509BE | DS209TTR2  | 3AC09D1        |
| BEI GW209PP4   | GW209PPB4  | RAS4509BD | DS209TTR4  | 3AC09-1.1/2D1  |
| BEI GW209PP8   | GW209PP8   | -         | DC209TTR8  | -              |
| BEI GW209PPB5  | GW209PPB5  | RAS4509A  | DS209TTR5  | -              |
| BEI GW209PPB8  | GW209PPB8  | -         | DS209TTR8  | -              |
| BEI GW209PPB11 | GW29PPB11  | -         | DS209TTR10 | -              |

**WAP DISC HARROW BEARING INTERCHANGE**

| PART NO        | FAFNIR     | NDH       | BCA        | NTN              |
|----------------|------------|-----------|------------|------------------|
| BEI GW209PPB16 | GW209PPB16 | -         | DS209TTR11 | -                |
| BEI GW210PPB2  | GW210PPB2  | -         | DS210TTR2  | 3AC10-1.15/16D1  |
| BEI GW210PPB4  | GW210PPB4  | -         | DS210TTR4  | -                |
| BEI GW210PPB5  | GW210PPB5  | -         | DS210TTR5R | 3AC10-1.3/4D1    |
| BEI GW211PPB2  | GW211PPB2  | -         | DS211TTR2  | 3AC11-2.3/16D1   |
| BEI GW211PPB3  | GW211PPB3  | RAS4511BE | DS211TTR3  | 3AS11-1.1/2D1    |
| BEI GW211PPB8  | GW211PPB8  | -         | DS211TTR8R | -                |
| BEI GW211PPB9  | GW211PPB9  | -         | DS211TTR9  | 1AC11-2.3/16DIV1 |
| BEI GW211PPB10 | GW11PPB10  | -         | -          | 3AC11-1.15/16D1  |
| BEI GW211PPB13 | GW211PPB13 | -         | DS211TTR13 | -                |
| BEI GW208PP14  | GW211PB14  | -         | DS211TTR14 | -                |
| BEI GW208PP17  | GW208PP17  | -         | DC208TTR17 | -                |
| BEI GW210PP2   | GW210PP2   | -         | -          | 7AC10-1.15/16D1  |
| BEI GW210PP3   | GW210PP3   | -         | DC210TTR3  | -                |
| BEI GW210PP4   | GW210PP4   | RAS4510B  | DC210TTR4  | 7AS10-1.1/8D1    |
| BEI GW211PP2   | GW211PP2   | RAS4511C  | DC211TTR2  | 7AC11-2.3/16D1   |
| BEI GW211PP3   | GW211PP3   | RAS4511BD | DC211TTR3  | 7AS11-1.1/2D1    |
| BEI GW214PP2   | GW214PP2   | -         | DC214TTR2  | -                |
| BEI GW216PPB2  | GW216PPB2  | -         | DS216TTR2  | -                |

**See Section 15 for Combine Chaffers**


**AGRICULTURAL DISC HARROW BEARING INTERCHANGE**

## From Original Equipment Numbers to Westward Parts Numbers

| ALLIS CHALMERS    | PART NO.       | BURCH PLOWS NO.  | PART NO.      | CLARK EQUIPMENT | PART NO.       |
|-------------------|----------------|------------------|---------------|-----------------|----------------|
| 406677            | BEI W211PP5    | J8672A           | BEI GW211PPB3 | 6522422         | BEI W208PPB2   |
| 430478            | BEI GW209PPB2  | J9554A           | BEI W208PPB5  | 6517957         | BEI W211PPB2   |
| 430480            | BEI GW211PPB2  | J9554A           | BEI W208PP5   | 6519831         | BEI W208PPB6   |
| 430796            | BEI W208PPB7   | 201A56           | BEI W208PPB13 | DUNHAM NO.      | PART NO.       |
| 575883            | BEI W208PPB16  | 204-82           | BEI W210PPB6  | GK260           | BEI W208PPB5   |
| 583939            | BEI GW211PP3   | 207-66           | BEI W214PP2   | EVENSMAN NO.    | PART NO.       |
| 586143            | BEI GW208PPB22 | 208-12           | BEI GW209PPB2 | 261750          | BEI W208PPB5   |
| X08738            | BEI W208PPB5   | BUSH HOG NO.     | PART NO.      | DARF NO.        | PART NO.       |
| X09837            | BEI W208PP6    | 53099            | BEI GW214PP2  | -               | BEI W208PPB11  |
| X10927            | BEI W208PPB9   | 14-4-5           | BEI GW209PPB6 | JOHN DEERE NO.  | PART NO.       |
| X10928            | BEI W208PPB8   | 14-22-63         | BEI W208PPB6  | A20175          | BEI W208PPB5   |
| AMCO NO.          | PART NO.       | 14-24-16         | BEI GW208PP17 | A20649          | BEI GW209PPB11 |
| 10218             | BEI W214PP2    | 14-24-26         | BEI W208PPB12 | AA28184         | BEI GW209PPB13 |
| 10272             | BEI W208PPB5   | 14-22-36         | BEI W208PPB6  | AA28186         | BEI GW211PPB20 |
| 10333             | BEI W208PPB8   | 14-5-109         | BEI GW210PPB2 | AK3892A         | BEI W209PPB6   |
| 11078             | BEI W214PP4    | 14-6-168         | BEI W211PPB2  | AK3997B         | BEI W208K3B5   |
| 11079             | BEI W208PPB6   | 14-6-244         | BEI GW211PPB2 | AK32778K        | BEI GW211PPB2  |
| G10212            | BEI GW208PPB5  | 14-6-430         | BEI GW211PP3  | JD8539A         | BEI W208PP6    |
| G10218            | BEI GW214PP2   | 14-36-183        | BEI GW208PP17 | JD8565          | BEI W208K3     |
| G10271            | BEI GW210PP3   | 14-50-5          | BEI GW210PP9  | JD8566          | BEI W208K3     |
| G10333            | BEI GW208PPB8  | -                | BEI GW210PP9  | JD9248          | BEI W208PPB5   |
| G10732            | BEI GW214PPB2  | Ground Disc.     | BEI GW211PP2  | JD9350          | BEI W208PP5    |
| G10711            | BEI GW21099B2  | 18-700b          |               | B34215          | BEI GW211PPB9  |
| G10906            | BEI GW211PPB3  | J.I. CASE NO.    | PART NO.      | EXXE ON NO.     | PART NO.       |
| G11071            | BEI GW21PP3    | T12903           | BEI W208K3    | 3AC11-1-15/16   | BEI GW211PPB10 |
| 13 1/2 FT.        | BEI W211PP5    | T15820           | BEI W208PPB6  | F.M.C NO.       | PART NO.       |
| Cuting Disc       |                | T16289           | BEI W208K3    | 126-068         | BEI W209PP5    |
| 13 1/2 FT.        | BEI W21PPB3    | T25486           | BEI W208PPB8  | 15148           | BEI W208PP10   |
| Ground Disc.      |                | T28503           | BEI W208PPB12 | 15617           | BEI W208PPB2   |
| ATTHNS NO.        | PART NO.       | T34178           | BEI W209PPB10 | 15625           | BEI W210PPB7   |
| Ground Disc.      | BEI W211PP3    | T51610           | BEI GW211PPB3 | FARMHAND NO.    | PART NO.       |
| New Disc.         | BEI GW211PP2   | T51653           | BEI GW211PPB  | Beet Harvester  | BEI W211PPB3   |
| Ridger            | BEI W208PP5    | T51748           | BEI W209PPB10 | (7377-1)        |                |
| Levee Plow        | BEI W211PPB6   | T53781           | BEI GW210PPB2 | FORD NO.        | PART NO.       |
| BLANTON KING NO.  | PART NO.       | CALDWELL NO.     | PART NO.      | 113903          | BEI W208PPB2   |
| BB2               | BEI W208PPB11  | 1 1/8" Sq. Axle  | BEI W208PPB5  | 175220          | BEI W210PP2    |
| BB2-2-N           | BEI W208PPB12  | CHATTANOOGNO.    | PART NO.      | 177849          | BEI W210PP2    |
| B-C-1             | BEI W208PP8    | -                | BEI W208PPB5  | 7200460         | BEI GW209PPB2  |
| BLANTON PLOW NO.  | PART NO.       | CO-OP (CCIL) NO. | PART NO.      | Wing Tip Disc   | BEI W209PPB6   |
| L512B             | BEI W208/PPB11 | -                | BEI GW211PPB2 | FOREST CITY NO. | PART NO.       |
| 1023              | BEI W208PPB12  | -                | BEI GW211PPB8 | Ridger          | BEI W208PPB5   |
| 3000T             | BEI GW211PP3   | CUTRITE NO.      | PART NO.      | HESTER NO.      | PART NO.       |
| 7129              | BEI W208PPB6   | -                | BEI W208PPB5  | 710-152         | BEI W208PPB6   |
| BRILLION IRON NO. | PART NO.       |                  |               | 712-315         | BEI W208PPB5   |
| Culti-Mulcher     | BEI W208PP8    |                  |               | 930             | BEI W208PPB5   |
|                   |                |                  |               | 951             | BEI W210PP2    |

**AGRICULTURAL DISC HARROW BEARING INTERCHANGE**

From Original Equipment Numbers to Westward Parts Numbers

| I.H.C. NO. | PART NO.      |
|------------|---------------|
| 60249C1    | BEI W214PPB5  |
| 603090R91  | BEI W209PPB7  |
| 630095R91  | BEI W21199B3  |
| 630210R91  | BEI W211PPB3  |
| 630210R91  | BEI B208PPB5  |
| 958251R91  | BEI W214PPB2  |
| 958334R91  | BEI W211PPB2  |
| 963889R91  | BEI W208PP5   |
| ST491A     | BEI ST491A    |
| ST607      | BEI W208PPB12 |

| KELLO DISC NO.        | PART NO.      |
|-----------------------|---------------|
| Model 176             | BEI GW211PPB2 |
| Model 210-250 (29080) | BEI W214PPB9  |

| KELLY NO. | PART NO.       |
|-----------|----------------|
| 06A51-001 | BEI W208PP5    |
| Model 176 | BEI GW211PPB21 |
| Model 210 | BEI GW214PPB9  |
| 29080     | BEI W214PPB9   |

| KEWANEE NO. | PART NO.      |
|-------------|---------------|
| A5623       | BEI W208PPB6  |
| B2055       | BEI W211PP3   |
| B2151       | BEI GW208PPB5 |
| B2246       | BEI GW210PPB4 |

| KRAUSE PLOW NO.       | PART NO.     |
|-----------------------|--------------|
| 13 1/2 FT Pulver Disc | BEI W208PPB9 |
| 612-10-2              | BEI W209PPB4 |
| 612-10-2              | BEI W208PPB5 |
| P212-10-2             | BEI W208PPB7 |
| P350-10-1             | BEI W210PPB5 |
| P412-10-2             | BEI W209PPB4 |

| KRYSON NO.   | PART NO.     |
|--------------|--------------|
| Disc. Harrow | BEI W208PPB9 |

| LISSTON NO. | PART NO.      |
|-------------|---------------|
| 13-50-037   | BEI W209PPB2  |
| 37-6-001    | BEI W208PPB12 |
| 40-50-006   | BEI GW209PPB8 |
| 40-61-001   | BEI W209PPB7  |
| 40-61-005   | BEI GW209PPB8 |
| 70-50-001   | BEI W208PPB6  |
| 79-50-006   | BEI W208PP5   |

| LONG NO. | PART NO.      |
|----------|---------------|
| 9-90092  | BEI W208PPB12 |
| 9-90093  | BEI W208PPB11 |
| 9-90155  | BEI W208PPB7  |
| 9-90241  | BEI W209PPB7  |
| 9-90288  | BEI GW211PPB3 |

| MCCLESKY NO.             | PART NO.                       |
|--------------------------|--------------------------------|
| F22-F32-F228 Disc Harrow | BEI W208PPB12<br>BEI W208PPB11 |

| MASSEY FERGUSON NO. | PART NO.      |
|---------------------|---------------|
| 447899M1            | BEI W208PPB12 |
| 449432M1            | BEI GW211PPB3 |
| 831110M1            | BEI W208PPB2  |
| 831960M1            | BEI W210PPB2  |
| 832540M1            | BEI W211PPB3  |
| 832634M2            | BEI W208PPB2  |
| 834367M1            | BEI W208PPB6  |
| 835050M1            | BEI GW209PPB5 |
| 842303M1            | BEI W29PPB5   |
| 1025130M1           | BEI W208PPB6  |

| MIDLAND NO. | PART NO.      |
|-------------|---------------|
| Disc Harrow | BEI GW209PPB8 |

| MILLER NO.  | PART NO.      |
|-------------|---------------|
| Disc Harrow | BEI GW211PPB2 |

| MULTI PURPOSE NO. | PART NO.    |
|-------------------|-------------|
| CBB118            | BEI W208PP5 |

| PICO NO. | PART NO.      |
|----------|---------------|
| 744P     | BEI W208PPB5  |
| 975P     | BEI GW209PPB8 |
| 440P     | BEI W211PPB3  |

| PIPER NO.   | PART NO.    |
|-------------|-------------|
| Ridger      | BEI W208PP5 |
| Field Cond. | BEI W209PP5 |

| PITTSBURG NO. | PART NO.      |
|---------------|---------------|
| PAL34392      | BEI W208PPB13 |
| PU35501       | BEI W208PPB5  |
| PDL36330      | BEI W209PPB2  |
| FG40485       | BEI GW209PPB2 |
| 113903        | BEI W209PPB2  |

| ROME NO. | PART NO.      |
|----------|---------------|
| CB-66A   | BEI GW211PPB2 |

| SHAFFER NO. | PART NO.     |
|-------------|--------------|
| Disc Harrow | BEI W209PPB2 |

| SOUTHERN NO. | PART NO.      |
|--------------|---------------|
| Disc Harrow  | BEI W208PPB12 |

| SUNFLOWER NO. | PART NO.       |
|---------------|----------------|
| Model 2042    | BEI GW211PPB13 |

| TAYLOR NO. | PART NO.      |
|------------|---------------|
| 204147     | BEI W208PPB12 |
| 204679     | BEI W211PPB6  |
| 206090     | BEI W208PPB11 |
| 207022     | BEI GW211PPB3 |
| 207359     | BEI GW208PPB8 |

| TOWNER NO. | PART NO.      |
|------------|---------------|
| 15013      | BEI W208PPB12 |

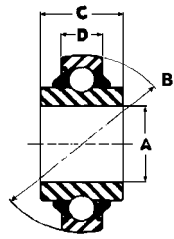
| TUFLINE NO. | PART NO.      |
|-------------|---------------|
| T603        | BEI W28PPB11  |
| T60         | BEI W208PPB5  |
| T602        | BEI W208PPB12 |

| TYE NO. | PART NO.     |
|---------|--------------|
| 552-207 | BEI W208PPB6 |
| 552-209 | BEI W208PPB5 |

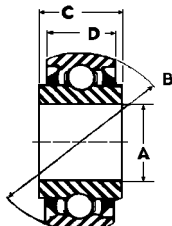
| WHITE NO.    | PART NO.       |
|--------------|----------------|
| 20H2152      | BEI GW209PPB2  |
| 20H4027      | BEI W208PPB9   |
| 20H5836      | BEI W208PPB6   |
| 20P450       | BEI W208PPB4   |
| 213778-B     | BEI GW208PPB5  |
| 23709092-A   | BEI W208PPB7   |
| 237909-B     | BEI GW211PPB3  |
| 238481-B     | BEI GW2080PPB8 |
| 30-110055197 | BEI W208PPB72  |
| 31-1577800   | BEI W208PPB16  |
| 4088098D     | BEI W210PP2    |
| 9111407      | BEI W210PP2    |
| 9111407      | BEI W210PP2    |
| 91111240-7   | BEI W210PP2    |

## BCA DISC HARROW BEARINGS

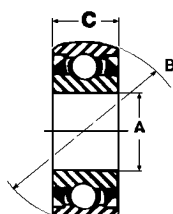
### HEAVY DUTY SEALED AND GREASABLE



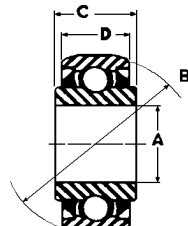
TYPE 1



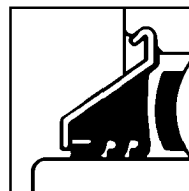
TYPE 2



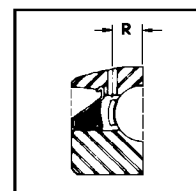
TYPE 3



TYPE 4



VANGUARD  
TRIPLE LIP  
TT = SEALED



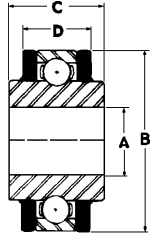
RELUBE  
DIMENSION TTR  
TTR = GREASABLE

### Round (Spherical) O.D. Type - ROUND BORE

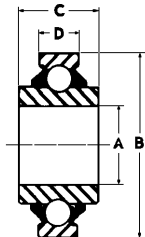
| PART NO.      |                | TYPE | BORE<br>A<br>INCHES | OUTSIDE DIAMETER |             | RING WIDTH           |                      | STAMPING |
|---------------|----------------|------|---------------------|------------------|-------------|----------------------|----------------------|----------|
| SEALED        | GREASABLE      |      |                     | B<br>mm          | B<br>INCHES | C<br>INNER<br>INCHES | D<br>OUTER<br>INCHES |          |
| BED DS208TT14 | -              | 4    | .8820               | 87               | 3.480       | 1.4375               | 1.1880               | 87MS     |
| BED DS208TT4  | -              | 3    | 1.1880              | 80               | 3.1496      | 1.1875               | 1.1875               | 80MS     |
| BED DS208TT7  | -              | 1    | 1.1880              | 80               | 3.1496      | 1.1875               | .7087                | 80MS     |
| BED DS208TT2A | -              | 2    | 1.5005              | 80               | 3.1496      | 1.6875               | 1.1875               | 80MS     |
| -             | BED DS209TTR6P | 4    | 1.525               | -                | 3.4925      | 1.6875               | 1.2510               | -        |
| BED DS209TT4  | BED DS209TTR4  | 3    | 1.5350              | 85               | 3.3465      | 1.1875               | 1.1875               | 85MS     |
| BED DS209TT6  | -              | 4    | 1.5350              | 87               | 3.4380      | 1.1875               | 1.1875               | 87MS     |
| BED DS208TT3  | -              | 4    | 1.5350              | 87               | 3.377       | 1.4375               | 1.1880               | 87MS     |
| -             | BED DS209TTR12 | 4    | 1.7650              | 85               | 3.3465      | 1.6870               | 1.0420               | 85MS     |
| BED DS209TT6E | -              | 4    | 1.7700              | 85               | 3.3465      | 1.6870               | 1.3120               | 85MS     |
| BED DS209TT6H | -              | 4    | 1.7700              | 86               | 3.3750      | 1.6870               | 1.3120               | -        |
| -             | BED DS209TTR11 | 4    | 1.7700              | 86               | 3.3950      | 1.6870               | 1.2500               | -        |
| BED DS209TT2  | BED DS209TTR2  | 3    | 1.7717              | 85               | 3.3465      | 1.1875               | 1.1875               | 85MS     |
| -             | BED DS211TTR23 | 4    | 1.7750              | -                | 3.9800      | 2.1250               | 1.2250               | -        |
| -             | BED DS210TTR5R | 3    | 1.7750              | 90               | 3.5433      | 1.1875               | 1.1875               | 90MS     |
| -             | BED DS211TTR13 | 1    | 1.7750              | 100              | 3.9370      | 1.3125               | .9843                | G100MSA  |
| BED DS210TT2  | BED DS210TTR2  | 3    | 1.9380              | 90               | 3.543       | 1.1875               | 1.1875               | 90MSA    |
| -             | BED DS211TTR14 | 1    | 2.0050              | 100              | 3.9370      | 1.3120               | .9843                | 100MS    |
| -             | BED DS211TTR8R | 2    | 2.1880              | 100              | 3.9370      | 1.3125               | .9843                | G100MSA  |
| -             | BED DS211TTR2  | 3    | 2.1880              | 100              | 3.9370      | 1.3125               | 1.3125               | 100MS    |
| BED DS211TT4  | -              | 2    | 2.1880              | 100              | 3.9370      | 2.1870               | 1.3120               | 100MS    |
| -             | BED DS211TTR9  | 1    | 2.1880              | 100              | 3.9370      | 1.5625               | .9843                | 100MS    |
| -             | BED DS214TTRA  | 1    | 2.6875              | 125              | 4.9213      | 2.6875               | 1.024                |          |
| -             | BED DS214TTR5  | 2    | 2.7553              | 125              | 4.9213      | 2.4380               | 1.5620               |          |
| -             | BED DS214TTR3  | 3    | 1.9375              | 125              | 4.9213      | 1.5625               | 1.5625               |          |

**BCA DISC HARROW BEARINGS**

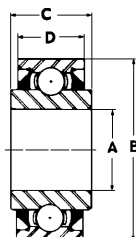
**HEAVY DUTY SEALED AND GREASABLE**



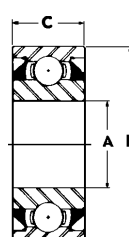
TYPE 1



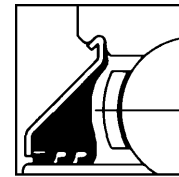
TYPE 2



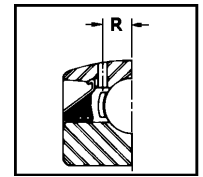
TYPE 3



TYPE 4



VANGUARD  
TRIPLE LIP  
TT= SEALED



RELUBE  
DIMENSION TTR  
TTR-REGREASABLE

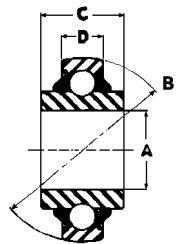
**Flat (Cylindrical) O.D. Type - ROUND BORE**

| PART NO.      |                 | TYPE | BORE<br>A<br>INCHES | OUTSIDE DIAMETER |             | RING WIDTH           |                      |
|---------------|-----------------|------|---------------------|------------------|-------------|----------------------|----------------------|
| SEALED        | GREASABLE       |      |                     | B<br>mm          | B<br>INCHES | C<br>INNER<br>INCHES | D<br>OUTER<br>INCHES |
| BED DC210TT3A | -               | 4    | 1.5200              | 90               | -           | 1.1880               | 1.1880               |
| BED DC208TTA  | -               | 3    | 1.5350              | 80               | 3.1496      | 1.4375               | 1.1875               |
| -             | BED DCD211TTR21 | 3    | 1.7750              | 100              | 3.9370      | 1.7500               | 1.3125               |
| BED DC210     | -               | 2    | 1.9380              | 90               | 3.5433      | 1.9375               | .7874                |
| BED DC210TT   | -               | 3    | 1.9380              | 90               | 3.5433      | 1.9375               | 1.3550               |
| BED DC210TT2  | -               | 4    | 1.9380              | 90               | 3.5433      | 1.1875               | 1.1875               |
| -             | BED DC210TTR7   | 3    | 1.9375              | 90               | 3.5433      | 1.9370               | 1.1880               |
| -             | BED DC210TTR9   | 2    | 1.9402              | 90               | 3.5433      | 1.4380               | .9060                |
| BED DC211TT2  | BED DC211TTR2   | 4    | 2.1880              | 100              | 3.9370      | 1.3125               | 1.3125               |
| -             | BED DC214TTR3   | 3    | 2.6875              | 125              | 4.9213      | 2.6875               | 1.5625               |
| -             | BED DC214TTR2   | 4    | 2.7559              | 125              | 4.9213      | 1.5575               | 1.5575               |
| BED DC208TT10 | -               | 2    | 1.500               | 80               | 3.1496      | 1.6875               | .8268                |

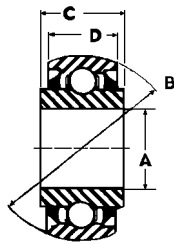
Contact your nearest WP branch for part numbers not shown in our price list.

## BCA DISC HARROW BEARINGS

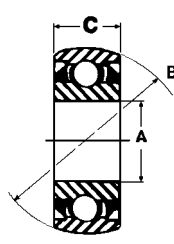
### HEAVY DUTY SEALED AND GREASABLE



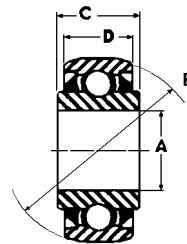
TYPE 1



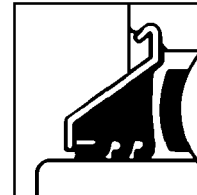
TYPE 2



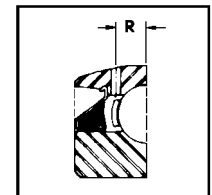
TYPE 3



TYPE 4



VANGUARD  
TRIPLE LIP  
TT= SEALED



RELUBE  
DIMENSION TTR  
TTR = GREASABLE

### Round (Spherical) O.D. Type (Square Bore)

| PART NO.       |                | TYPE | BORE<br>A<br>INCHES | OUTSIDE DIAMETER |             | RING WIDTH           |                      | STAMPING |
|----------------|----------------|------|---------------------|------------------|-------------|----------------------|----------------------|----------|
| SEALED         | GREASABLE      |      |                     | B<br>mm          | B<br>INCHES | C<br>INNER<br>INCHES | D<br>OUTER<br>INCHES |          |
| BED DS208TT11  | -              | 4    | 7/8                 | -                | 3.480       | 1.4375               | 1.1875               | 87MS     |
| BED DS208TT13  | -              | 1    | 7/8                 | 80               | 3.1496      | 1.4375               | .7087                | 80MS     |
| BED DS208TT6   | -              | 1    | 1                   | 80               | 3.1496      | 1.4375               | .7087                | 80MS     |
| -              | BED DS208TTR6  | 2    | 1                   | 80               | 3.1496      | 1.4375               | .9449                | 80MS     |
| BED DS208TT5   | -              | 2    | 1 1/8               | 80               | 3.1496      | 1.4375               | .7087                | 80MS     |
| -              | BED DS208TTR5  | 2    | 1 1/8               | 80               | 3.1496      | 1.4375               | .9449                | 80MS     |
| BED DS208TT8   | BED DS208TTR8  | 2    | 1 1/8               | 80               | 3.1496      | 1.4375               | 1.1875               | 80MS     |
| -              | BED DS208TTR21 | 1    | 1 1/8               | 80               | 3.1496      | 1.4375               | .8661                | 80MS     |
| BED DS208TT12  | -              | 4    | 1 1/8               | -                | 3.4430      | 1.4375               | 1.1880               | 87MS     |
| BED DS208TT12A | -              | 4    | 1 1/8               | -                | 3.4385      | 1.4375               | 1.1875               | 87MS     |
| BED DS210TT4   | BED DS210TTR4  | 3    | 1 1/8               | 90               | 3.5433      | 1.1875               | 1.1875               | 90MS     |
| BED DS210TT6   | -              | 2    | 1 1/8               | 90               | 3.5433      | 1.4375               | 1.1875               | 90MS     |
| -              | BED DS210TTR5S | 2    | 1 1/8               | 90               | 3.5433      | 1.7500               | 1.1875               | 90MS     |
| BED DS209TT8A  | -              | 1    | 1 1/4               | 85               | 3.3465      | 1.4375               | .8661                | 85MS     |
| BED DS209TT5   | BED DS209TTR5  | 2    | 1 1/4               | 85               | 3.3465      | 1.4375               | 1.1875               | 85MS     |
| BED DS209TT7   | -              | 4    | 1 1/4               | -                | 3.4430      | 1.4375               | 1.1875               | 87MS     |
| -              | BED DSD209TTR8 | 1    | 1 1/4               | 85               | 3.3465      | 1.4375               | .8661                | 85MS     |
| BED DS211TT3   | BED DS211TTR3  | 3    | 1 1/2               | 100              | 3.9370      | 1.3125               | 1.3125               | -        |
| BED DS211TT6   | -              | 4    | 1 1/2               | -                | 4.1300      | 1.7500               | 1.4375               | 100MS    |

Contact your nearest WP branch for part numbers not shown in our price list.

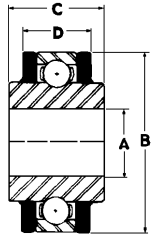
**Note:**

- Square bore is measured across the flats.

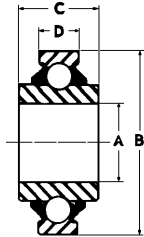


**BCA DISC HARROW BEARINGS**

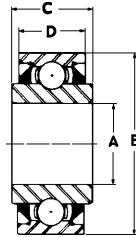
**HEAVY DUTY SEALED AND GREASABLE**



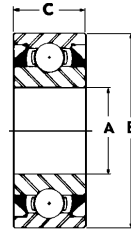
**TYPE 1**



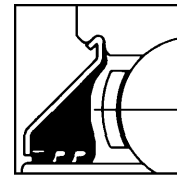
**TYPE 2**



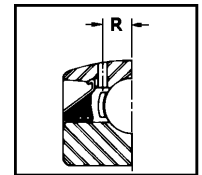
**TYPE 3**



**TYPE 4**



**VANGUARD  
TRIPLE LIP  
TT= SEALED**



**RELUBE  
DIMENSION TTR  
TTR-REGREASABLE**

**Flat (Cylindrical) O.D. Type - SQUARE BORE**

| PART NO.     |                | TYPE | BORE<br>A<br>INCHES | OUTSIDE DIAMETER |             | RING WIDTH           |                      |
|--------------|----------------|------|---------------------|------------------|-------------|----------------------|----------------------|
| SEALED       | GREASABLE      |      |                     | B<br>mm          | B<br>INCHES | C<br>INNER<br>INCHES | D<br>OUTER<br>INCHES |
| BED DC208TT6 | -              | 2    | 1                   | 80               | 3.1496      | 1.4375               | .7087                |
| BED DC208    | -              | 1    | 1 1/8               | 80               | 3.1496      | 1.6875               | .7087                |
| BED DC208TT  | -              | 3    | 1 1/8               | 80               | 3.1496      | 1.6875               | 1.2790               |
| BED DC208TT5 | -              | 2    | 1 1/8               | 80               | 3.1496      | 1.4375               | .7087                |
| BED DC208TT8 | -              | 3    | 1 1/8               | 80               | 3.1496      | 1.4375               | 1.1875               |
| -            | BED DC208TTR17 | 3    | 1 1/8               | 86               | 3.3750      | 1.4375               | 1.1875               |
| -            | BED DC209TTR8  | 2    | 1 1/4               | 85               | 3.3470      | 1.4375               | .8861                |
| BED DC210TT4 | BED DC210TTR4  | 4    | 1 1/8               | 90               | 3.5433      | 1.1875               | 1.1875               |
| BED DC211TT3 | BED DC211TTR3  | 4    | 1 1/2               | 100              | 3.93710     | 1.3125               | 1.3125               |
| BED DC211TT5 | -              | 3    | 1 1/2               | -                | 4.0000      | 1.7500               | 1.4380               |
| -            | BED DC211TTR4  | 3    | 1 1/2               | 100              | 3.9370      | 1.7500               | 1.3125               |
| BED DC212TT  | -              | 3    | 1 3/4               | 110              | 4.3307      | 2.0000               | 1.5040               |
| -            | BED DC212TTR2  | 2    | 1 3/4               | 110              | 4.3307      | 2.0000               | 1.0630               |
| -            | BED DC216TTR2  | 2    | 2 1/4               | 140              | 5.5118      | 2.5000               | 1.1811               |

Contact your nearest WP branch for part numbers not shown in our price list.

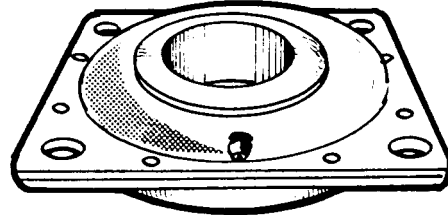
Note: Square bore is measured across the flats.

## BEARING TO FIT CASE-IH DISC HARROW

Round Bore - 1.7650"

PART NO.

BEI ST491A



Fits the following IHC Discs: 37, 45V 56, 48, 61, 60F, 61, 120, 120F, 122, 130, 132, 150, 330, 370, 470, 475, 480, 485, 490, 496, 610, Offset 760

*This bearing is very popular with IHC/Case equipment and we recommend all distributors promote this new bearing.*

## CS204 SWATHER ROLL BEARING

Includes plastic housing and bearing

PART NO.

BEI CS204



*Bearing only - BEI 6204-2RS*

*Housing only - SWA WP13718*

## DISC BEARING DISPLAY

Display includes the following disc bearings on an attractive 2' x 2' Display Board:

| QTY. | PART NO.       |
|------|----------------|
| 2    | BEI GW208PPB8  |
| 2    | BEI GW211PPB10 |
| 1    | BEI GW211PPB2  |
| 1    | BEI GW210PPB2  |
| 1    | BEI GW210PPB5  |
| 1    | BEI GW209PPB5  |

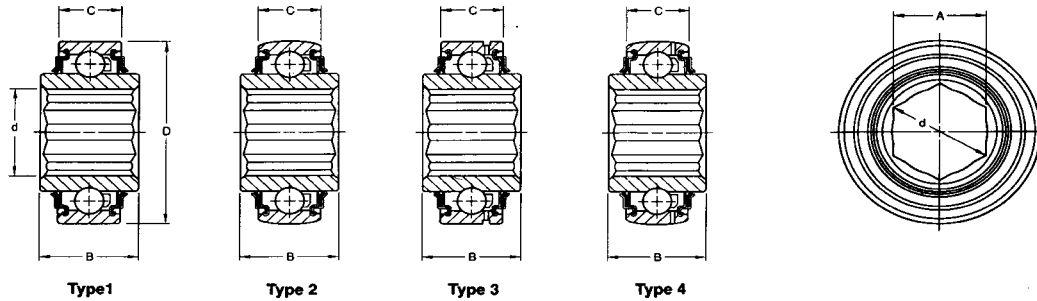
| QTY. | PART NO.      |
|------|---------------|
| 1    | BEI GW211PPB3 |
| 1    | BEI GW208PPB5 |
| 1    | BEI ST491A    |
| 2    | BEI W208PPB2  |
| 2    | BEI W208PPB7  |
| 2    | BEI W210PPB2  |

| QTY. | PART NO.             |
|------|----------------------|
| 2    | BEI W214PPB9         |
| 1    | BEI W209PPB5         |
| 1    | BEI W209PPB2         |
| 1    | BEI W208PPB8         |
| 1    | BEI W208PPB5         |
| 1    | BEI UCX10-31         |
| 1    | PRM 871 (board only) |



| PART NO. | DESCRIPTION      |
|----------|------------------|
| BEI 871  | Complete Display |

**HEX BORE BEARING INSERTS**



| CODE | PART NO.  | SE-RIES | BORE ACROSS FLATS (A) | BORE ACROSS CORNERS(d) | O.D. (D) | O.R. WIDTH (C) | I.R. WIDTH (B) | O.R. DESIGN | TYPE | SEALED OR GREASED | REMARKS    | OTHER #    |
|------|-----------|---------|-----------------------|------------------------|----------|----------------|----------------|-------------|------|-------------------|------------|------------|
| BED  | 202KRR3   | -       | 9/16"                 | .648                   | 35mm     | 11mm           | .512           | flat        | 1    | S                 | 1 lip seal | -          |
| BED  | HPC011GP  | 204     | 11/16"                | .796                   | 47mm     | 14mm           | .825           | flat        | 1    | S                 | 1 lip seal | 204KRR2    |
| BED  | HPC014GP  | 205     | 7/8"                  | 1.010                  | 52mm     | 15mm           | 1.000          | flat        | 1    | S                 | 1 lip seal | 205KRR2    |
| BED  | HPS014GP  | 205     | 7/8"                  | 1.010                  | 52mm     | 15mm           | 1.000          | round       | 2    | S                 | 1 lip seal | 205KRRB2   |
| BEI  | 206KRR6   | 206     | 1"                    | 1.152                  | 62mm     | 16mm           | .945           | flat        | 1    | S                 | 1 lip seal | HPC100GP   |
| BEI  | 206KRRB6  | 206     | 1"                    | 1.152                  | 62mm     | 16mm           | .945           | round       | 2    | S                 | 1 lip seal | HPS100GP   |
| BED  | HPC100TPD | 206     | 1"                    | 1.152                  | 62mm     | 16mm           | .945           | flat        | 1    | S                 | 3 lip seal | 206KPP3    |
| BED  | HPC100GP  | 206     | 1"                    | 1.152                  | 62mm     | 16mm           | .945           | flat        | 1    | S                 | 1 lip seal | 206KRR6    |
| BED  | HPS100GP  | 206     | 1"                    | 1.152                  | 62mm     | 16mm           | .945           | round       | 2    | S                 | 1 lip seal | 206KRRB6   |
| BED  | HPS100TPD | 206     | 1"                    | 1.152                  | 62mm     | 16mm           | 1.060          | round       | 2    | S                 | 3 lip seal | 206KPPB5   |
| BED  | 207KRRB17 | 207     | 1 1/4"                | 1.433                  | 72mm     | 17mm           | .9840          | flat        | 1    | S                 | 1 lip seal | -          |
| BED  | HPS102GR  | 207     | 1 1/8"                | 1.298                  | 72mm     | 19mm           | 1.484          | round       | 4    | G                 | 1 lip seal | 207KRRB9   |
| BED  | HPS102GPE | 207     | 1 1/8"                | 1.298                  | 72mm     | 17mm           | 25mm           | round       | 2    | S                 | 1 lip seal | 207KRRB12  |
| BED  | HPS103TP2 | 207     | 1 1/4"                | 1.433                  | 72mm     | 17mm           | 1.484          | round       | 2    | S                 | 3 lip seal | -          |
| BED  | HPS103GP3 | 207     | 1 1/4"                | 1.433                  | 72mm     | 17mm           | .984           | round       | 2    | S                 | 1 lip seal | 207KPPB3   |
| BED  | 208PPBA   | 208     | 1 1/4"                | 1.433                  | 80mm     | 18mm           | 1.438          | flat        | 1    | S                 | 1 lip seal | -          |
| BED  | HPS104TR  | 208     | 1 1/4"                | 1.433                  | 80mm     | 22mm           | 1.4375         | round       | 4    | G                 | 3 lip seal | GW208KRRB5 |
| BED  | HPC104TPA | 208     | 1 1/4"                | 1.433                  | 80mm     | 22mm           | 1.484          | flat        | 1    | S                 | 3 lip seal | W208PPB16  |
| BED  | HPS106GP  | 208     | 1 3/8"                | 1.587                  | 80mm     | 21mm           | 1.484          | round       | 2    | S                 | 1 lip seal | W208KRRB6  |
| BED  | HPS108GPA | 209     | 1 1/2"                | 1.730                  | 85mm     | 22mm           | 1.181          | round       | 2    | S                 | 1 lip seal | -          |
| BED  | HPS108GPB | 209     | 1 1/2"                | 1.730                  | 90mm     | 22mm           | 1.181          | round       | 2    | S                 | 1 lip seal | -          |

## BRONZE BUSHING DISPLAY BOARD

Includes 2 each of the following bushings:

|           |           |           |           |
|-----------|-----------|-----------|-----------|
| BED 55301 | BED 55314 | BED 55327 | BED 55340 |
| BED 55302 | BED 55315 | BED 55328 | BED 55341 |
| BED 55303 | BED 55316 | BED 55329 | BED 55342 |
| BED 55304 | BED 55317 | BED 55330 | BED 55343 |
| BED 55305 | BED 55318 | BED 55331 | BED 55344 |
| BED 55306 | BED 55319 | BED 55332 | BED 55345 |
| BED 55307 | BED 55320 | BED 55333 | BED 55346 |
| BED 55308 | BED 55321 | BED 55334 | BED 55347 |
| BED 55309 | BED 55322 | BED 55335 | BED 55348 |
| BED 55310 | BED 55323 | BED 55336 | BED 55349 |
| BED 55311 | BED 55324 | BED 55337 | BED 55350 |
| BED 55312 | BED 55325 | BED 55338 |           |
| BED 55313 | BED 55326 | BED 55339 |           |



Assortment contains 100 bushings in 50 popular sizes.

Typical applications: Power Transmission Equipment, Home Appliances,  
Farm Implements, Electric Motors, Hardware, Machine Tools.

PART NO.

BED 553

**See Section 17 for a wide selection of  
Tines and Teeth**

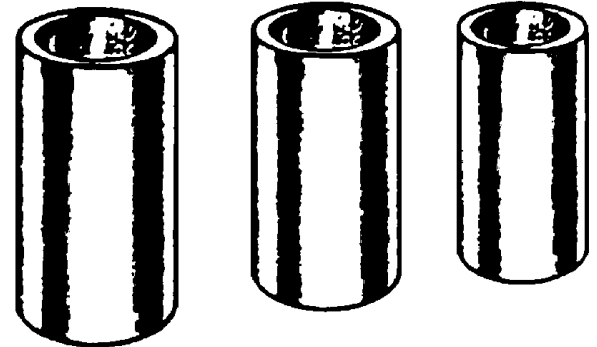
**BRONZE BUSHINGS OIL IMPREGNATED**

**Lubrication** Proper lubrication is essential for the bushing, and we use the highest quality oils available. Our standard lubricant has an effective operating range from +10°F to +175°F.

**Supplemental Lubrication** Additional lubrication can be provided through the use of oil soaked felts, wicks, etc., or by periodic oiling. A unique advantage of the bushing is that it does not require any grooving or holes to distribute the oil across the bushing surfaces. The bushing distributes oil evenly across the bushing face due to the microscopic pores in the material.

**Storage of Bushing** Bushings must be stored in non-absorbing containers. Do not store in paper or cloth containers. Do not store in cardboard boxes! The best containers are made of plastic or metal.

**De-Oiling** To remove oil from a bushing, immerse it in a solvent for 12 hours. An aromatic solvent is recommended. Chlorinated solvents should be avoided, as they can initiate corrosion within the pores of the material. After soaking in solvent, the bushings should air dry until the absorbed solvent is evaporated.



**Re-Oiling** The most efficient method of impregnation is by the vacuum process. However, this process is typically available only to bushing manufacturers. Re-oiling can also be accomplished by immersing the bushing in oil heated to 150-175°F. This method will result in a 90% saturation of the bushing material.

| PART NO.    | SIZE                | OLD PART NO. | PART NO.    | SIZE                    | OLD PART NO. | PART NO.    | SIZE                   | OLD PART NO. |
|-------------|---------------------|--------------|-------------|-------------------------|--------------|-------------|------------------------|--------------|
| BED 5530    | 1/4 x 5/16 x 3/4    | AA335-5      | *BED 55323  | 3/4 x 15/16 x 1 1/4     | SS2430-20    | *BED 55340  | 1 1/4 x 1 5/8 x 1 1/2  | AA1606-7     |
| *BED 55301  | 1/4 x 3/8 x 1       | AA307-2      | *BED 55324  | 3/4 x 1 x 1 1/4         | AA1049       | BED 55340-1 | 1 1/4 x 1 5/8 x 2 1/2  | AA1606-5     |
| *BED 55302  | 1/4 x 7/16 x 1      | AA430-3      | BED 55324-1 | 3/4 x 1 1/8 x 1 1/2     | AA1106       | BED 55340-4 | 1 1/4 x 1 3/4 x 2 1/2  | SS4056-40    |
| *BED 55303  | 1/4 x 1/2 x 1       | AA519-3      | BED 55324-2 | 3/4 x 1 1/8 x 2         | SS2436-32    | *BED 55341  | 1 3/8 x 1 5/8 x 1 1/2  | AA1608-12    |
| BED 55303-1 | 5/16 x 3/8 x 3/4    | AA306-6      | *BED 55325  | 13/16 x 1 x 1/4         | AA1056-3     | *BED 55342  | 1 3/8 x 1 3/4 x 1 1/2  | AA1708-5     |
| *BED 55304  | 5/16 x 1/2 x 1      | AA506-9      | BED 55325-1 | 7/8 x 1 x 1             | AA1008-6     | BED 55342-1 | 1 3/8 x 1 3/4 x 2 1/2  | AA1708       |
| *BED 55305  | 5/16 x 7/16 x 1     | AA401-1      | *BED 55326  | 7/8 x 1 x 1 1/4         | AA1008-1     | *BED 55343  | 1 7/16 x 1 3/4 x 1 1/2 | AA1703-6     |
| *BED 55306  | 3/8 x 1/2 x 1       | AA507-23     | *BED 55327  | 7/8 x 1 1/8 x 1 1/4     | AA1108-7     | *BED 55344  | 1 1/2 x 1 3/4 x 1 1/2  | AA1704       |
| *BED 55307  | 3/8 x 5/8 x 1       | AA630-7      | BED 55327-1 | 7/8 x 1 1/8 x 2         | AA1108-3     | BED 55344-1 | 1 1/2 x 1 3/4 x 2 1/2  | AA1704-8     |
| *BED 55308  | 3/8 x 3/4 x 1       | AA707        | *BED 55328  | 7/8 x 1 1/4 x 1 1/4     | AA1203       | *BED 55345  | 1 1/2 x 1 7/8 x 1 1/2  | AA1807-9     |
| *BED 55309  | 7/16 x 9/16 x 1     | AA515-8      | *BED 55329  | 5/16 x 1 1/4 x 1 1/4    | AA1206-4     | BED 55345-1 | 1 1/2 x 1 7/8 x 2 1/2  | AA1807-11    |
| *BED 55310  | 7/16 x 5/8 x 1      | AA627-4      | *BED 55330  | 1 x 1 1/4 x 1 1/2       | AA1232-7     | BED 55345-2 | 1 1/2 x 2 x 2 1/2      | AA2007-3     |
| *BED 55311  | 1/2 x 5/8 x 1       | AA628        | BED 55330-1 | 1 x 1 1/4 x 2 1/2       | AA1232-5     | *BED 55346  | 1 5/8 x 2 x 1 1/2      | AA2000-5     |
| *BED 55312  | 1/2 x 11/16 x 1     | AA650-2      | *BED 55331  | 1 x 1 3/8 x 1 1/2       | AA1310-5     | BED 55346-1 | 1 5/8 x 2 x 2 1/2      | AA2000-3     |
| *BED 55313  | 1/2 x 3/4 x 1       | AA744-3      | *BED 55332  | 1 x 1 1/2 x 1 1/2       | AA1511-5     | *BED 55347  | 1 3/4 x 2 x 1 1/2      | AA2001-3     |
| *BED 55314  | 1/2 x 13/16 x 1     | AA886-3      | *BED 55333  | 1 1/16 x 1 5/16 x 1 1/2 | AA1307-1     | *BED 55348  | 1 3/4 x 2 1/8 x 1 1/2  | AA2112-1     |
| *BED 55315  | 1/2 x 7/8 x 1       | AA842-3      | *BED 55334  | 1 1/8 x 1 1/4 x 1 1/2   | AA1214-8     | BED 55348-1 | 1 3/4 x 2 1/8 x 2 1/2  | AA2112-3     |
| *BED 55316  | 9/16 x 3/4 x 1      | AA711-3      | *BED 55335  | 1 1/8 x 1 3/8 x 1 1/2   | AA1322-7     | *BED 55349  | 2 x 2 1/4 x 1 1/2      | AA2203-7     |
| *BED 55317  | 9/16 x 1 3/16 x 1   | AA807-2      | BED 55335-1 | 1 1/8 x 1 3/8 x 2 1/2   | AA1332-2     | BED 55349-1 | 2 x 2 1/4 x 2 1/2      | AA2203-9     |
| *BED 55318  | 5/8 x 3/4 x 1 1/4   | AA710-5      | *BED 55336  | 1 3/16 x 1 7/16 x 1 1/2 | AA1509-1     | *BED 55350  | 2 x 2 3/8 x 1 1/2      | AA2304-7     |
| *BED 55319  | 5/8 x 13/16 x 1 1/4 | AA811-2      | *BED 55337  | 1 3/16 x 1 7/16 x 1 1/2 | AA1403-7     | BED 55355   | 2 x 2 1/2 x 3          | AA2501       |
| *BED 55320  | 5/8 x 7/8 x 1 1/4   | AA832-4      | *BED 55338  | 1 3/16 x 1 1/2 x 1 1/2  | AA1523-5     | BED 55360   | 2 1/4 x 2 5/8 x 3      | AA2605-5     |
| *BED 55321  | 5/8 x 1 x 1 1/4     | AA1011-1     | *BED 55339  | 1 1/4 x 1 1/2 x 1 1/2   | AA1512-2     | BED 55362   | 2 1/4 x 2 3/4 x 3      | AA2703       |
| *BED 55322  | 3/4 x 7/8 x 1 1/4   | AA838-5      | BED 55339-1 | 1 1/4 x 1 1/2 x 2 1/2   | AA1512-13    | BED 55370   | 2 1/2 x 2 7/8 x 3      | AA2803-2     |
|             |                     |              |             |                         |              | BED 55373   | 2 1/2 x 3 x 3          | AA3005-1     |

\*Part numbers included on display board BED 553

Note:

- Other sizes available on special order.

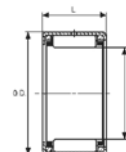
## NEEDLE BEARINGS

## Open Both Ends

B Series = Standard Duty

BH Series = Heavy Duty

| PART NO.  | I.D. | O.D.  | L    | INTERCHANGE WITH |               |                |                         |
|-----------|------|-------|------|------------------|---------------|----------------|-------------------------|
|           |      |       |      | INA CAGE TYPE    | INA FULL COMP | TORR CAGE TYPE | TORR FULL COMP GR. RET. |
| BED B44   | 1/4  | 7/16  | 1/4  | SCE44            | -             | JP44F          | -                       |
| BED B45   | 1/4  | 7/16  | 5/16 | SCE45            | -             | J45            | Y45                     |
| BED B47   | 1/4  | 7/16  | 7/16 | SCE47            | -             | J47            | Y47                     |
| BED B55   | 5/16 | 1/2   | 5/16 | SCE55            | S55           | J55            | Y55                     |
| BED B56   | 5/16 | 1/2   | 3/8  | -                | -             | -              | -                       |
| BED B57   | 5/16 | 1/2   | 7/16 | SCE57            | -             | J57            | -                       |
| BED BH57  | 5/16 | 9/16  | 7/16 | SCH57            | -             | JH57           | -                       |
| BED B59   | 5/16 | 1/2   | 9/16 | SCE59            | -             | -              | -                       |
| BED B65   | 3/8  | 9/16  | 5/16 | SCE65            | -             | J65            | -                       |
| BED B66   | 3/8  | 9/16  | 3/8  | SCE66            | S66           | J66            | Y66                     |
| BED B68   | 3/8  | 9/16  | 1/2  | SCE68            | S68           | J68            | Y68                     |
| BED BH68  | 3/8  | 5/8   | 1/2  | SCH68            | -             | JH68           | -                       |
| BED B610  | 3/8  | 9/16  | 5/8  | SCE610           | S610          | -              | Y610                    |
| BED B78   | 7/16 | 5/8   | 1/2  | SCE78            | S78           | J78            | Y78                     |
| BED BH78  | 7/16 | 11/16 | 1/2  | SCH78            | -             | JH78           | YH78                    |
| BED B85   | 1/2  | 11/16 | 5/16 | SCE85            | -             | J85            | -                       |
| BED B86   | 1/2  | 11/16 | 3/8  | SCE86            | S86           | -              | Y86                     |
| BED B87   | 1/2  | 11/16 | 7/16 | SCE87            | -             | -              | Y87                     |
| BED BH87  | 1/2  | 3/4   | 7/16 | SCH87            | -             | JH87           | -                       |
| BED B88   | 1/2  | 11/16 | 1/2  | SCE88            | S88           | J88            | Y88                     |
| BED BH88  | 1/2  | 3/4   | 1/2  | SCH88            | -             | JH88           | -                       |
| BED B810  | 1/2  | 11/16 | 5/8  | SCE810           | S810          | -              | Y810                    |
| BED B812  | 1/2  | 11/16 | 3/4  | SCE812           | S812          | J812           | Y812                    |
| BED BH87  | 1/2  | 3/4   | 7/16 | SCH87            | -             | JH87           | -                       |
| BED BH88  | 1/2  | 3/4   | 1/2  | SCH88            | -             | JH88           | -                       |
| BED BH812 | 1/2  | 3/4   | 3/4  | SCH812           | -             | JH812          | -                       |
| BED B95   | 9/16 | 3/4   | 5/16 | SCE95            | -             | -              | -                       |
| BED B96   | 9/16 | 3/4   | 3/8  | SCE96            | -             | -              | -                       |
| BED B97   | 9/16 | 3/4   | 7/16 | SCE97            | -             | J97            | -                       |
| BED B98   | 9/16 | 3/4   | 1/2  | SCE98            | S98           | J98            | Y98                     |
| BED BH98  | 9/16 | 13/16 | 1/2  | SCH98            | -             | JH98           | -                       |
| BED B910  | 9/16 | 3/4   | 5/8  | SCE910           | -             | J910F          | Y910                    |
| BED BH910 | 9/16 | 13/16 | 5/8  | -                | -             | -              | -                       |
| BED B912  | 9/16 | 3/4   | 3/4  | SCE912           | -             | -              | Y912                    |
| BED B105  | 5/8  | 13/16 | 5/16 | SCE105           | -             | -              | Y105                    |
| BED B107  | 5/8  | 13/16 | 7/16 | SCE107           | -             | -              | -                       |

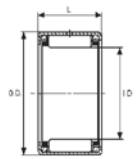


# NEEDLE BEARINGS (continued)

## Full Complement Open Both Ends

B Series = Standard Duty  
BH Series = Heavy Duty

| PART NO.   | I.D.  | O.D.   | L     | INTERCHANGE WITH |               |                |                         |
|------------|-------|--------|-------|------------------|---------------|----------------|-------------------------|
|            |       |        |       | INA CAGE TYPE    | INA FULL COMP | TORR CAGE TYPE | TORR FULL COMP GR. RET. |
| BED B108   | 5/8   | 13/16  | 1/2   | SCE108           | S108          | J108           | Y108                    |
| BED BH108  | 5/8   | 7/8    | 1/2   | SCE108           | SH108         | -              | YH108                   |
| BED B1010  | 5/8   | 13/16  | 5/8   | SCE1010          | -             | J1010          | -                       |
| BED BH1010 | 5/8   | 7/8    | 5/8   | SCH1010          | -             | JH1010         | -                       |
| BED B1012  | 5/8   | 13/16  | 3/4   | SCE1012          | S1012         | J1012          | Y1012                   |
| BED BH1012 | 5/8   | 7/8    | 3/4   | SCH1012          | -             | -              | -                       |
| BED B1014  | 5/8   | 13/16  | 7/8   | -                | -             | -              | -                       |
| BED BH1016 | 5/8   | 7/8    | 1     | SCH1016          | -             | JH1016         | -                       |
| BED BH118  | 11/16 | 15/16  | 1/2   | -                | -             | -              | -                       |
| BED B126   | 3/4   | 1      | 3/8   | SCE126           | S126          | J126           | -                       |
| BED B128   | 3/4   | 1      | 1/2   | SCE128           | S128          | J128           | Y128                    |
| BED B1210  | 3/4   | 1      | 5/8   | SCE1210          | S1210         | J1210          | Y1210                   |
| BED B1212  | 3/4   | 1      | 3/4   | SCE1212          | S1212         | J1212          | Y1212                   |
| BED BH1212 | 3/4   | 1 1/16 | 3/4   | SCH1212          | -             | JH1212         | -                       |
| BED B1216  | 3/4   | 1      | 1     | -                | -             | -              | -                       |
| BED B136   | 13/16 | 1 1/16 | 3/8   | SCE136           | -             | -              | Y136                    |
| BED B138   | 13/16 | 1 1/16 | 1/2   | SCE138           | -             | -              | Y138                    |
| BED B1310  | 13/16 | 1 1/16 | 5/8   | -                | -             | -              | -                       |
| BED BH1310 | 13/16 | 1 1/8  | 5/8   | -                | -             | -              | Y1310                   |
| BED B1312  | 13/16 | 1 1/16 | 3/4   | SCE1312          | -             | -              | -                       |
| BED B1314  | 13/16 | 1 1/16 | 1/8   | SCE1314          | -             | J1314          | -                       |
| BED B1316  | 13/16 | 1 1/16 | 1     | -                | -             | -              | -                       |
| BED BH138  | 13/16 | 1 1/8  | 1/2   | -                | -             | -              | -                       |
| BED B146   | 7/8   | 1 1/8  | 3/8   | SCE146           | S146          | -              | -                       |
| BED B148   | 7/8   | 1 1/8  | 1/2   | SCE148           | S148          | -              | -                       |
| BED BH1410 | 7/8   | 1 3/16 | 5/8   | SCH1410          | -             | -              | -                       |
| BED B1412  | 7/8   | 1 1/8  | 3/4   | SCE1412          | S1412         | J1412          | Y1412                   |
| BED BH1412 | 7/8   | 1 3/16 | 3/4   | SCH1412          | -             | JH1412         | -                       |
| BED B1414  | 7/8   | 1 1/8  | 7/8   | -                | -             | -              | -                       |
| BED B1416  | 7/8   | 1 1/8  | 1     | SCE1416          | S1416         | J1416          | Y1416                   |
| BED BH1416 | 7/8   | 1 3/16 | 1     | SCH1416          | -             | JH1416         | -                       |
| BED 1422   | 7/8   | 1 1/8  | 1 3/8 | -                | -             | -              | -                       |
| BED B1516  | 15/16 | 1 3/16 | 1     | SCE1516          | -             | -              | -                       |
| BED B166   | 1     | 1 1/4  | 3/8   | -                | -             | -              | -                       |
| BED B167   | 1     | 1 1/4  | 7/16  | SCE167           | -             | -              | -                       |
| BED B168   | 1     | 1 1/4  | 1/2   | SCE168           | S168          | -              | Y168                    |



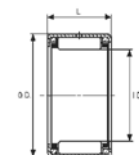
## NEEDLE BEARINGS (continued)

## Full Complement Open Both Ends

B Series = Standard Duty

BH Series = Heavy Duty

| PART NO.   | I.D.   | O.D.   | L     | INTERCHANGE WITH |               |                |                         |
|------------|--------|--------|-------|------------------|---------------|----------------|-------------------------|
|            |        |        |       | INA CAGE TYPE    | INA FULL COMP | TORR CAGE TYPE | TORR FULL COMP GR. RET. |
| BED B1612  | 1      | 1 1/4  | 3/4   | SCE1612          | S1612         | J1612          | Y1612                   |
| BED B1614  | 1      | 1 1/4  | 7/8   | -                | -             | -              | -                       |
| BED B1616  | 1      | 1 1/4  | 1     | SCE1616          | S1616         | J1616          | Y1616                   |
| BED BH1616 | 1      | 1 5/16 | 1     | SCH1616          | -             | JH1616         | YH1616                  |
| BED BH168  | 1      | 1 5/16 | 1/2   | SCH168           | -             | -              | -                       |
| BED BH1612 | 1      | 1 5/16 | 3/4   | SCH1612          | -             | J1612          | YH1612                  |
| BED BH1620 | 1      | 1 5/16 | 1 1/4 | SCH1620          | -             | -              | -                       |
| BED BH1624 | 1      | 1 5/16 | 1 1/2 | SCH1624          | -             | -              | -                       |
| BED B116   | 1 1/16 | 7/8    | 3/8   | SCE116           | S116          | -              | -                       |
| BED B118   | 1 1/16 | 7/8    | 1/2   | SCE118           | S118          | -              | -                       |
| BED B1110  | 1 1/16 | 7/8    | 5/8   | SCE1110          | S1110         | -              | -                       |
| BED BH1110 | 1 1/16 | 1 5/16 | 5/8   | SCH1110          | -             | JH1110         | -                       |
| BED B1112  | 1 1/16 | 7/8    | 3/4   | SCE1112          | S1112         | J1112          | Y1112                   |
| BED B186   | 1 1/8  | 1 3/8  | 3/8   | SCE186           | -             | -              | -                       |
| BED B188   | 1 1/8  | 1 3/8  | 1/2   | SCE188           | S188          | J188           | Y188                    |
| BRD B1812  | 1 1/8  | 1 3/8  | 3/4   | SCE1812          | S1812         | J1812          | Y1812                   |
| BED BH1812 | 1 1/8  | 1 1/2  | 3/4   | SCH1812          | -             | JH1812         | -                       |
| BED B1816  | 1 1/8  | 1 3/8  | 1     | SCE1816          | S1816         | J1816          | Y1816                   |
| BED BH1816 | 1 1/8  | 1 1/2  | 1     | SCH1816          | -             | JH1816         | -                       |
| BED BH1820 | 1 1/8  | 1 1/2  | 1 1/4 | SCH1820          | -             | -              | -                       |
| BED B138   | 1 3/16 | 1 1/16 | 1/2   | SCE138           | -             | -              | Y138                    |
| BED BH1312 | 1 3/16 | 1 1/8  | 3/4   | SCH1312          | -             | JH1312         | YH1312                  |
| BED B1910  | 1 3/16 | 1 1/2  | 5/8   | -                | -             | -              | Y1910                   |
| BED B208   | 1 1/4  | 1 1/2  | 1/2   | SCE208           | -             | -              | -                       |
| BED BH208  | 1 1/4  | 1 5/8  | 1/2   | SCH208           | -             | -              | -                       |
| BED B2010  | 1 1/4  | 1 1/2  | 5/8   | SCE2010          | -             | -              | Y2010                   |
| BED B2012  | 1 1/4  | 1 1/2  | 3/4   | SCE2012          | S2012         | J2012          | Y2012                   |
| BED BH2012 | 1 1/4  | 1 5/8  | 3/4   | SCH2012          | -             | JH2012         | -                       |
| BED B2016  | 1 1/4  | 1 1/2  | 1     | SCE2016          | S2016         | J2016          | Y2016                   |
| BED BH2016 | 1 1/4  | 1 5/8  | 1     | SCH2016          | -             | JH2016         | -                       |
| BED B2020  | 1 1/4  | 1 1/2  | 1 1/4 | SCE2020          | -             | J2020          | Y2020                   |
| BED BH2020 | 1 1/4  | 1 5/8  | 1 1/4 | SCH2020          | -             | JH2020         | -                       |
| BED B218   | 1 5/16 | 1 5/8  | 1/2   | -                | -             | -              | -                       |
| BED B2110  | 1 5/16 | 1 5/8  | 5/8   | SCE2110-         | -             | -              | -                       |
| BED B2112  | 1 5/16 | 1 5/8  | 3/4   | -                | -             | -              | -                       |
| BED B228   | 1 3/8  | 1 5/8  | 1/2   | SCE228           | S228          | J228           | Y228                    |





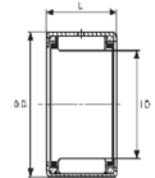
**NEEDLE BEARINGS (continued)**

**Full Complement Open Both Ends**

B Series = Standard Duty

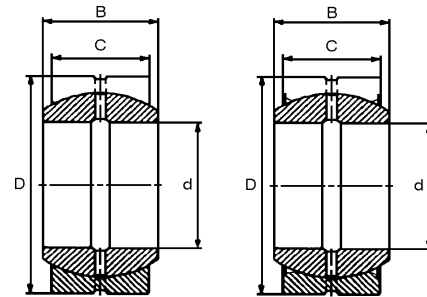
BH Series = Heavy Duty

| PART NO.   | I.D.   | O.D.    | L     | INTERCHANGE WITH |               |                |                         |
|------------|--------|---------|-------|------------------|---------------|----------------|-------------------------|
|            |        |         |       | INA CAGE TYPE    | INA FULL COMP | TORR CAGE TYPE | TORR FULL COMP GR. RET. |
| BED BH228  | 1 3/8  | 1 3/4   | 1/2   | SCH228           | -             | -              | -                       |
| BED B2212  | 1 3/8  | 1 5/8   | 3/4   | SCE2212          | S2212         | -              | Y2212                   |
| BED BH2212 | 1 3/8  | 1 3/4   | 3/4   | SCH2212          | SH2212        | JH212          | -                       |
| BED B2216  | 1 3/8  | 1 5/8   | 1     | SCE2216          | -             | -              | -                       |
| BED BH2216 | 1 3/8  | 1 3/4   | 1     | SCH226           | -             | JH2216         | -                       |
| BED B2220  | 1 3/8  | 1 5/8   | 1 1/4 | SCE2220          | -             | -              | Y2220                   |
| BED BH2220 | 1 3/8  | 1 3/4   | 1 1/4 | -                | -             | -              | -                       |
| BED B248   | 1 1/2  | 1 7/8   | 1/2   | SCE248           | S248          | -              | Y248                    |
| BED B2410  | 1 1/2  | 1 7/8   | 5/8   | SCE2410          | -             | -              | ---                     |
| BED B2412  | 1 1/2  | 1 7/8   | 3/4   | SCE2412          | -             | J2412          | Y2414                   |
| BED B2414  | 1 1/2  | 1 7/8   | 7/8   | SCE2414          | S2414         | -              | Y2416                   |
| BED B2416  | 1 1/2  | 1 7/8   | 1     | SCE2416          | S2416         | J2416          | Y2420                   |
| BED B2420  | 1 1/2  | 1 7/8   | 1 1/4 | SCE2420          | S2420         | J2420          | Y2610                   |
| BED B2610  | 1 5/8  | 2       | 5/8   | SCE2610          | S2610         | -              | -                       |
| BED B2620  | 1 5/8  | 2       | 1/4   | SCE2620          | -             | -              | -                       |
| BED B2812  | 1 3/4  | 2 1/8   | 3/4   | SCE2812          | S2812         | J2812          | Y2816                   |
| BED B1816  | 1 3/4  | 2 1/8   | 1     | SCE2816          | S2816         | J2816          | -                       |
| BED B2824  | 1 3/4  | 2 1/8   | 1 1/2 | SCE2824          | S2824         | J2824          | -                       |
| BED BH2824 | 1 3/4  | 2 1/4   | 1 1/2 | -                | -             | -              | -                       |
| BED B308   | 1 7/8  | 2 1/4   | 1/2   | -                | -             | -              | -                       |
| BED B3010  | 1 7/8  | 2 1/4   | 5/8   | -                | -             | -              | Y3012                   |
| BED B3012  | 1 7/8  | 2 1/4   | 3/4   | -                | -             | -              | -                       |
| BED B3016  | 1 7/8  | 2 1/4   | 1     | -                | -             | J3016          | -                       |
| BED B328   | 2      | 2 3/8   | 1/2   | SCE328           | -             | -              | Y3216                   |
| BED B3216  | 2      | 2 3/8   | 1     | SCE3216          | S3216         | J3216          | -                       |
| BED B3220  | 2      | 2 3/8   | 1 1/4 | SCE3220          | -             | -              | -                       |
| BED B3224  | 2      | 2 3/8   | 1 1/2 | -                | -             | -              | -                       |
| BED B3228  | 2      | 2 3/8   | 1 3/4 | -                | -             | -              | -                       |
| BED BH3324 | 2 1/16 | 2 17/32 | 1 1/2 | -                | -             | -              | -                       |
| BED B3416  | 2 1/8  | 2 1/2   | 1     | SCE3416          | -             | -              | -                       |
| BED B3424  | 2 1/8  | 2 1/2   | 1 1/2 | -                | -             | -              | -                       |
| BED B3624  | 2 1/4  | 2 5/8   | 1 1/2 | -                | -             | -              | -                       |
| BED B4412  | 2 3/4  | 3 1/8   | 3/4   | SCE4412          | -             | J4412          | -                       |
| BED B4416  | 2 3/4  | 3 1/8   | 1     | -                | -             | -              | -                       |
| BED B4420  | 2 3/4  | 3 1/8   | 1 1/4 | -                | -             | -              | -                       |
| BED B4216  | 2 5/8  | 3       | 1     | -                | S4216         | -              | -                       |



## BALL BUSHINGS

## Sealed Inch Dimensions



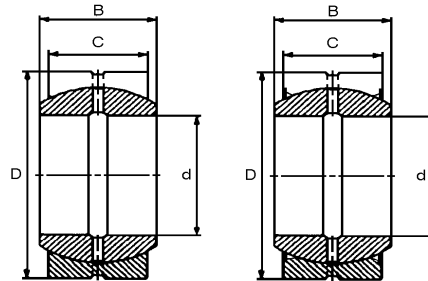
| PART NO.     | WEIGHT (KG) | DIMENSIONS |          |          |          | INTERCHANGE TABLE               |                          |                                 |                            |
|--------------|-------------|------------|----------|----------|----------|---------------------------------|--------------------------|---------------------------------|----------------------------|
|              |             | d INCHES   | D INCHES | B INCHES | C INCHES | TORRINGTON WITH SEALS SF TT(SS) | R.B.C. WITH SEALS B. LSs | INA-ELGES WITH SEALS GE..ZO-2RS | SKF WITH SEALS GEZ..ES-2RS |
| BED SBB8     | 0.02        | 1/2        | 7/8      | 0.437    | 0.375    | -                               | -                        | -                               | -                          |
| BED SBB10    | 0.036       | 5/8        | 1 1/16   | 0.547    | 0.469    | -                               | -                        | -                               | -                          |
| BED SBB122RS | 0.057       | 3/4        | 1 1/4    | 0.656    | 0.562    | 7 SF 12-TT                      | B 12-LSS                 | GE-19ZO-2RS                     | -                          |
| BED SBB142RS | 0.088       | 7/8        | 1 7/16   | 0.765    | 0.656    | 8 SF 14-TT                      | B 14-LSS                 | GE-22ZO-2RS                     | -                          |
| BED SBB162RS | 0.125       | 1          | 1 5/8    | 0.875    | 0.750    | 10 SF 16-TT                     | B 16-LSS                 | GE-25ZO-2RS                     | GEZ 100 ES-2RS             |
| BED SBB202RS | 0.234       | 1 1/4      | 2        | 1.093    | 0.937    | 12 SF 20-TT                     | B 20-LSS                 | GE-31ZO-2RS                     | GEZ 104 ES-2RS             |
| BED SBB222RS | 0.349       | 1 3/8      | 2 3/16   | 1.187    | 1.031    | 13 SF 22-TT                     | B 22-LSS                 | BE-34ZO-2RS                     | -                          |
| BED SBB242RS | 0.424       | 1 1/2      | 2 7/16   | 1.312    | 1.125    | 15 SF 24-TT                     | B 24-LSS                 | GE-38ZO-2RS                     | GEZ 180 ES-2RS             |
| BED SBB282RS | 0.649       | 1 3/4      | 2 13/16  | 1.531    | 1.312    | 17 SF 28-TT                     | B 28-LSS                 | GE-44ZO-2RS                     | GEZ 112 ES-2RS             |
| BED SBB322RS | 0.939       | 2          | 3 3/16   | 1.750    | 1.500    | 20 SF 32-TT                     | B 32-LSS                 | GE-50ZO-2RS                     | GEZ 200 ES-2RS             |
| BED SBB362RS | 1.32        | 2 1/4      | 3 9/16   | 1.969    | 1.687    | 22 SF 36-TT                     | B 36-LSS                 | GE-57ZO-2RS                     | GEZ 204 ES-2RS             |
| BED SBB402RS | 1.85        | 2 1/2      | 3 15/16  | 2.187    | 1.875    | 25 SF 40-TT                     | B 40-LSS                 | GE-63ZO-2RS                     | GEZ 208 ES-2RS             |
| BED SBB442RS | 2.44        | 2 3/4      | 4 3/8    | 2.406    | 2.062    | 27 SF 44-SS                     | B 44-LSS                 | GE-69ZO-2RS                     | GEZ 212 ES-2RS             |
| BED SBB482RS | 3.12        | 3          | 4 3/4    | 2.625    | 2.250    | 30 SF 48-LSS                    | B 48-LSS                 | GE-76ZO-2RS                     | GEZ 300 ES-2RS             |

## Notes:

- 2RS designates seals
- Larger sizes also available on special order
- \*See next page for metric sizes

# BALL BUSHINGS

## Sealed Metric Dimensions

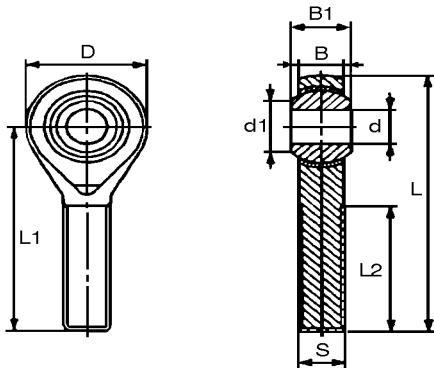


| PART NO.        | WEIGHT (KG) | DIMENSIONS |          |          |          | INTERCHANGE TABLE     |                       |                       |
|-----------------|-------------|------------|----------|----------|----------|-----------------------|-----------------------|-----------------------|
|                 |             | d INCHES   | D INCHES | B INCHES | C INCHES | WITH SEALS GE..DO-2RS | WITH SEALS GE..ES-2RS | WITH SEALS GE..ES-2RS |
| BED GE8ES-2RS   | 0.008       | 8          | 16       | 8        | 5        | -                     | -                     | -                     |
| BED GE10ES-2RS  | 0.012       | 10         | 19       | 9        | 6        | -                     | -                     | -                     |
| BED GE12ES-2RS  | 0.017       | 12         | 22       | 10       | 7        | -                     | -                     | -                     |
| BED GE15ES-2RS  | 0.032       | 15         | 26       | 12       | 9        | -                     | -                     | GE 15 ES.2RS          |
| BED GE17ES-2RS  | 0.049       | 17         | 30       | 14       | 10       | GE17 DO-2RS           | -                     | GE 17 ES.2RS          |
| BED GE20ES-2RS  | 0.065       | 20         | 35       | 16       | 12       | GE 20 DO-2RS          | GE 20 ES-2RS          | GE 20 ES.2RS          |
| BED GE25ES-2RS  | 0.115       | 25         | 42       | 20       | 16       | GE 25 DO-2RS          | GE 25 ES-2RS          | GE 25 ES.2RS          |
| BED GE30ES-2RS  | 0.16        | 30         | 47       | 22       | 18       | GE 30 ES-2RS          | GE 30 DO-2RS          | GE 30 ES.2RS          |
| BED GE35ES-2RS  | 0.258       | 35         | 55       | 25       | 20       | GE 35 DO-2RS          | GE 35 ES-2RS          | GE 35 ES.2RS          |
| BED GE40ES-2RS  | 0.315       | 40         | 62       | 28       | 22       | GE 40 DO-2RS          | GE 40 ES-2RS          | GE 40 ES.2RS          |
| BED GE45ES-2RS  | 0.413       | 45         | 68       | 32       | 25       | GE 45 DO-2RS          | GE 45 ES-2RS          | GE 45 ES.2RS          |
| BED GE50ES-2RS  | 0.56        | 50         | 75       | 35       | 28       | GE 50 DO-2RS          | GE 50 ES-2RS          | GE 50 ES.2RS          |
| BED GE60ES-2RS  | 1.1         | 60         | 90       | 44       | 36       | GE 60 DO-2RS          | GE 60 ES-2RS          | GE 60 ES.2RS          |
| BED GE70ES-2RS  | 1.54        | 70         | 105      | 49       | 40       | GE 70 DO-2RS          | GE 70 ES-2RS          | GE 70 ES.2RS          |
| BED GE80ES-2RS  | 2.29        | 80         | 120      | 55       | 45       | GE 80 DO-2RS          | GE 80 ES-2RS          | GE 80 ES.2RS          |
| BED GE90ES-2RS  | 2.82        | 90         | 130      | 60       | 50       | GE 90 DO-2RS          | GE 90 ES-2RS          | GE 90 ES.2RS          |
| BED GE100ES-2RS | 4.43        | 100        | 150      | 70       | 55       | GE 100 DO-2RS         | GE 100 ES-2RS         | GE 100 ES.2RS         |
| BED GE110ES-2RS | 4.94        | 110        | 160      | 70       | 55       | GE 110 DO-2RS         | GE 110 ES-2RS         | GE 110 ES.2RS         |
| BED GE120ES-2RS | 8.12        | 120        | 180      | 85       | 70       | GE 120 DO-2RS         | GE 120 ES-2RS         | GE 120 ES.2RS         |
| BED GE140ES-2RS | 11.4        | 140        | 210      | 90       | 70       | GE 140 DO-2RS         | GE 140 ES-2RS         | GE 140 ES.2RS         |

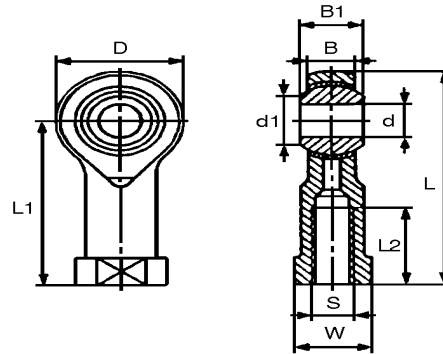
**Notes:**

- Open (non sealed) sizes also available. Part numbers are the same, without -2RS designation.
- Larger sizes available on request.

## ROD END INCH DIMENSIONS



POSB (male)



PHSB (female)

## MALE (complete with grease nipple)

| PART NO.     | d (INCHES) | THREAD<br>S CLASS 3A | DIMENSIONS (INCHES) |       |       |       |       |       |
|--------------|------------|----------------------|---------------------|-------|-------|-------|-------|-------|
|              |            |                      | D                   | B     | B1    | L     | L1    | L2    |
| BED POSB3NF  | .1900      | .1900-32UNF          | .625                | .250  | .312  | 1.563 | 1.250 | .750  |
| BED POSB4NF  | .2500      | .2500-28UNF          | .750                | .281  | .375  | 1.937 | 1.562 | 1.000 |
| BED POSB5NF  | .3125      | .3125-24UNF          | .875                | .344  | .437  | 2.312 | 1.875 | 1.250 |
| BED POSB6NF  | .3750      | .3750-24UNF          | 1.000               | .403  | .500  | 2.438 | 1.938 | 1.250 |
| BED POSB7NF  | .4375      | .4375-20UNF          | 1.125               | .437  | .562  | 2.688 | 2.125 | 1.375 |
| BED POSB8NF  | .5000      | .5000-20UNF          | 1.312               | .500  | .625  | 3.094 | 2.438 | 1.500 |
| BED POSB10NF | .6250      | .6250-18UNF          | 1.500               | .562  | .750  | 3.375 | 2.625 | 1.625 |
| BED POSB12NF | .7500      | .7500-16UNF          | 1.7500              | .687  | .875  | 3.750 | 2.875 | 1.750 |
| BED POSB16NF | 1.0000     | 1.2500-12UNF         | 1.7500              | 1.000 | 1.375 | 5.500 | 4.125 | 2.125 |

See next page for metric sizes

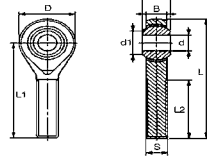
## FEMALE (complete with grease nipple)

| PART NO.     | d (INCHES) | THREAD<br>S CLASS 3A | DIMENSIONS (INCHES) |       |       |       |       |       |       |
|--------------|------------|----------------------|---------------------|-------|-------|-------|-------|-------|-------|
|              |            |                      | D                   | B     | B1    | L     | L1    | L2    | W     |
| BED PHSB3NF  | .1900      | .1900-32UNF          | .625                | .250  | .312  | 1.375 | 1.062 | .562  | .312  |
| BED PHSB4NF  | .2500      | .2500-28UNF          | .750                | .281  | .375  | 1.687 | 1.312 | .750  | .375  |
| BED PHSB5NF  | .3125      | .3125-24UNF          | .875                | .344  | .437  | 1.812 | 1.375 | .750  | .437  |
| BED PHSB6NF  | .3750      | .3750-24UNF          | 1.000               | .406  | .500  | 2.125 | 1.625 | .937  | .562  |
| BED PHSB7NF  | .4375      | .4375-20UNF          | 1.125               | .437  | .562  | 2.375 | 1.812 | 1.062 | .625  |
| BED PHSB8NF  | .8000      | .5000-20UNF          | 1.312               | .500  | .625  | 2.781 | 2.125 | 1.187 | .750  |
| BED PHSB10NF | .6250      | .6250-18UNF          | 1.500               | .562  | .750  | 3.250 | 2.500 | 1.500 | .875  |
| BED PHSB12NF | .7500      | .7500-16UNF          | 1.750               | .687  | .875  | 3.750 | 2.875 | 1.750 | 1.000 |
| BED PHSB16NF | 1.000      | 1.2500-12UNF         | 2.750               | 1.000 | 1.375 | 5.500 | 4.125 | 2.125 | 1.500 |

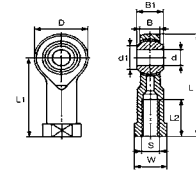
See next page for metric sizes

**ROD END METRIC DIMENSIONS**

POS (male)



PHS (female)



**MALE (complete with grease nipple)**

| PART NO.   | d (mm) | THREAD S CLASS 3A | DIMENSIONS (mm) |      |    |     |     |    |
|------------|--------|-------------------|-----------------|------|----|-----|-----|----|
|            |        |                   | D               | B    | B1 | L   | L1  | L2 |
| •BED POS3  | 3      | M3 X 0.5          | 12              | 4.5  | 6  | 33  | 27  | 15 |
| •BED POS4  | 4      | M4 X 0.7          | 14              | 5.3  | 7  | 37  | 30  | 17 |
| BED POS5   | 5      | M5 X 0.8          | 16              | 6    | 8  | 41  | 33  | 20 |
| BED POS6   | 6      | M6 X 1            | 18              | 6.75 | 9  | 45  | 36  | 22 |
| BED POS8   | 8      | M8 X 1.25         | 22              | 9    | 12 | 53  | 42  | 25 |
| BED POS10  | 10     | M10 X 1.5         | 26              | 10.5 | 14 | 61  | 48  | 29 |
| BED POS12  | 12     | M12 X 1.75        | 30              | 12   | 16 | 69  | 54  | 33 |
| BED POS14  | 14     | M14 X 2           | 34              | 13.5 | 19 | 77  | 66  | 36 |
| BED POS16  | 16     | M16 X 2           | 38              | 15   | 21 | 85  | 66  | 40 |
| BED POS18  | 18     | M18 X 1.5         | 42              | 16.5 | 23 | 93  | 72  | 44 |
| BED POS20  | 20     | M20 X 1.5         | 46              | 18   | 25 | 101 | 78  | 47 |
| BED POS22  | 22     | M22 X 1.5         | 50              | 20   | 28 | 109 | 84  | 51 |
| BED POS25  | 25     | M24 X 2           | 60              | 22   | 31 | 124 | 94  | 57 |
| •BED POS28 | 28     | M27 X 2           | 66              | 25   | 35 | 136 | 103 | 62 |
| BED POS30  | 30     | M30 X 2           | 70              | 25   | 37 | 145 | 110 | 66 |

•items are P.O.R. price on request  
See previous page for inch sizes

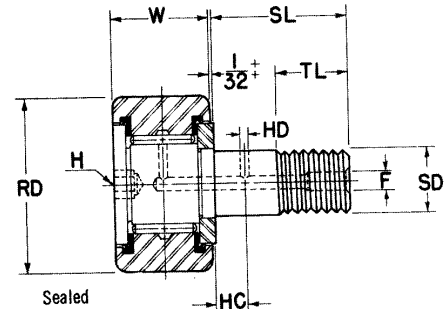
**FEMALE (complete with grease nipple)**

| PART NO.   | d (mm) | THREAD S CLASS 3A | DIMENSIONS (mm) |      |    |     |     |    |     |
|------------|--------|-------------------|-----------------|------|----|-----|-----|----|-----|
|            |        |                   | D               | B    | B1 | L   | L1  | L2 | W   |
| •BED PHS3  | 3      | M3 X 0.5          | 12              | 4.5  | 6  | 27  | 21  | 10 | 5.5 |
| •BED PHS4  | 4      | M4 X 0.7          | 14              | 5.3  | 7  | 31  | 24  | 12 | 8   |
| BED PHS5   | 5      | M5 X 0.8          | 16              | 6    | 8  | 35  | 27  | 14 | 9   |
| BED PHS6   | 6      | M6 X 1            | 18              | 6.75 | 9  | 39  | 30  | 14 | 11  |
| BED PHS8   | 8      | M8 X 1.25         | 22              | 9    | 12 | 47  | 36  | 17 | 14  |
| BED PHS10  | 10     | M10 X 1.5         | 26              | 10.5 | 14 | 56  | 43  | 21 | 17  |
| BED PHS12  | 12     | M12 X 1.75        | 30              | 12   | 16 | 65  | 50  | 24 | 19  |
| BED PHS14  | 14     | M14 X 2           | 34              | 13.5 | 19 | 74  | 57  | 27 | 22  |
| BED PHS16  | 16     | M16 X 2           | 38              | 15   | 21 | 83  | 64  | 33 | 22  |
| BED PHS18  | 18     | M18 X 1.5         | 42              | 16.5 | 23 | 92  | 71  | 36 | 27  |
| BED PHS20  | 20     | M20 X 1.5         | 46              | 18   | 25 | 100 | 77  | 40 | 30  |
| BED PHS22  | 22     | M22 X 1.5         | 50              | 20   | 28 | 109 | 84  | 43 | 32  |
| BED PHS25  | 25     | M24 X 2           | 60              | 22   | 31 | 124 | 94  | 48 | 36  |
| •BED PHS28 | 28     | M27 X 2           | 66              | 25   | 35 | 136 | 103 | 53 | 41  |
| BED PHS30  | 30     | M30 X 2           | 70              | 25   | 37 | 145 | 110 | 56 | 41  |

•Items are P.O.R. price on request  
See previous page for inch sizes

## CF-SB SERIES CAMROL BEARINGS

## Cam Followers with Hex Holes and LUBRI-DISC Seals



| SEALED BEARING NUMBER | ROLLER DIA (RD)<br>+000<br>-.001 | ROLLER WIDTH (W)<br>+000<br>-.005 | STUD DIA (SD)<br>+001<br>-.000 | STUD LENGTH (SL)              | FINE THREADS | OIL HOLE DIA (HD) | RECOM. CLAMPING TORQUE lb-in. |
|-----------------------|----------------------------------|-----------------------------------|--------------------------------|-------------------------------|--------------|-------------------|-------------------------------|
| BED CF-1/2-SB         | .500                             | .375                              | .190                           | <sup>5</sup> / <sub>8</sub>   | 10-32        | -                 | 15                            |
| BED CF-9/16-SB        | .5625                            | .375                              | .190                           | <sup>5</sup> / <sub>8</sub>   | 10-32        | -                 | 15                            |
| BED CF-5/8-SB         | .625                             | .4375                             | .250                           | <sup>3</sup> / <sub>4</sub>   | 1/4-28       | -                 | 35                            |
| BED CF-11/16-SB       | .6875                            | .4375                             | .250                           | <sup>3</sup> / <sub>4</sub>   | 1/4-28       | -                 | 35                            |
| BED CF-3/4-SB         | .750                             | .500                              | .375                           | <sup>7</sup> / <sub>8</sub>   | 3/8-24       | 3/32              | 95                            |
| BED CF-7/8-SB         | .875                             | .500                              | .375                           | <sup>7</sup> / <sub>8</sub>   | 3/8-224      | 3/32              | 95                            |
| BED CF-1-SB           | 1.000                            | .625                              | .4375                          | 1                             | 7/16-20      | 3/32              | 250                           |
| BED CF-1 1/8-SB       | 1.125                            | .625                              | .4375                          | 1                             | 7/16-20      | 3/32              | 250                           |
| BED CF-1 1/4-SB       | 1.250                            | .750                              | .500                           | 1 <sup>1</sup> / <sub>4</sub> | 1/2-20       | 3/32              | 350                           |
| BED CF-1 3/8-SB       | 1.375                            | .750                              | .500                           | 1 <sup>1</sup> / <sub>4</sub> | 1/2-20       | 3/32              | 350                           |
| BED CF-1 1/2-SB       | 1.500                            | .875                              | .625                           | 1 <sup>1</sup> / <sub>2</sub> | 5/8-18       | 3/32              | 650                           |
| BED CF-1 5/8-SB       | 1.625                            | .875                              | .625                           | 1 <sup>1</sup> / <sub>2</sub> | 5/8-18       | 3/32              | 650                           |
| BED CF-1 3/4-SB       | 1.750                            | 1.000                             | .750                           | 1 <sup>3</sup> / <sub>4</sub> | 3/4-16       | 3/32              | 1250                          |
| BED CF-1 7/8-SB       | 1.875                            | 1.000                             | .750                           | 1 <sup>3</sup> / <sub>4</sub> | 3/4-16       | 3/32              | 1250                          |
| BED CF-2-SB           | 2.000                            | 1.250                             | .875                           | 2                             | 7/8-14       | 1/8               | 1500                          |
| BED CF-2 1/4-SB       | 2.250                            | 1.250                             | .875                           | 2                             | 7/8-14       | 1/8               | 1500                          |
| BED CF-2 1/2-SB       | 2.500                            | 1.500                             | 1.000                          | 2 <sup>1</sup> / <sub>4</sub> | 1-14         | 1/8               | 2250                          |
| BED CF-2 3/4-SB       | 2.750                            | 1.500                             | 1.000                          | 2 <sup>1</sup> / <sub>4</sub> | 1-14         | 1/8               | 2250                          |
| BED CF-3-SB           | 3.000                            | 1.750                             | 1.250                          | 2 <sup>1</sup> / <sub>2</sub> | 1 1/4-12     | 1/8               | 3450                          |
| BED CF-3 1/2-SB       | 3.500                            | 2.000                             | 1.375                          | 2 <sup>3</sup> / <sub>4</sub> | 1 3/8-12     | 1/8               | 4200                          |

**Note:**

- Metric and other styles available. Consult your nearest WP warehouse.

# SPECIALTY AG BEARING INTERCHANGE

| ALLIS<br>CHALMERS | WESTWARD PARTS |         | FAFNIR     |
|-------------------|----------------|---------|------------|
|                   | BED            | BEI     |            |
| 1126056           | 203RRH10       | -       | 203KRR6    |
| 1132366           | 88107          | -       | 207KRR3    |
| 1197194           | HS102GP        | -       | 207KRRB9   |
| 1302496           | 206-1          | -       | 206KR7     |
| 345016            | 8960DD         | -       | 203NPP9    |
| 536147            | 206GGB         | -       | 206KRRB3   |
| 561381            | HPC011GP       | -       | 204KRR2    |
| 561382            | 204BBAR        | Z9504B  | P204RR6    |
| 561382            | 204BBAR        | Z9504B  | 204RR6     |
| 562134            | 203RRAR8       | -       | 23KRR5     |
| 571020            | 204BBE         | -       | 204RR8     |
| 575883            | HPS104TPN      | -       | W208PPB16  |
| 586143            | HPS104TR       | -       | GW208PPB22 |
| 825916            | 203RRAR10      | 203KKR2 | 23KRR2     |

| BUSH<br>HOG            | WESTWARD PARTS |            | FAFNIR               |
|------------------------|----------------|------------|----------------------|
|                        | BED            | BEI        |                      |
| 0108030203             | 204BBAR        | Z9504B     | 204RR6               |
| 1100082475             | DS208TT2A      | -          | W208PPB2             |
| 11142416               | DS208TT12A     | -          | -                    |
| 14-22-63               | DS208TT6       | W208PPB6   | W208PPB6             |
| 14-24-16               | DS208TT12      | W2008PPB12 | W208PPB12            |
| 14-24-63,<br>14-36-183 | DC208TTR17     | -          | -                    |
| 14-4-5                 | DS209TT2       | W209PPB2   | W209PPB12            |
| 14-50-5                | DC210TRR9      | -          | -                    |
| 14-5-109               | DS210TT2       | W210PPB2   | W210PPB2             |
| 14-6-244               | DC211TTR2      | -          | GW211PP2             |
| 14-6-430               | DC211TTR3      | GW211PP3   | GW211PP3             |
| 16-1-176,<br>7950006   | DC208TT5       | W208PP5    | W208PP5,<br>W208PP20 |
| 53099                  | DC214TTR2      | -          | GW214PP2             |
| 920                    | 203RRAR10      | 203KKR2    | 203KKR2              |

| AMCO<br>PRODUCTS  | WESTWARD PARTS |            | FAFNIR    |
|-------------------|----------------|------------|-----------|
|                   | BED            | BEI        |           |
| 10272             | DS208TT5       | W208PPB5   | W208PPB5  |
| 10333             | DS28TT8        | W208PPB8   | -         |
| 11052             | DC210TT2       | W210PP2    | W210PP2   |
| 11071             | DC211TT3       | -          | W211PP3   |
| 11078             | DC210TT4       | -          | -         |
| 11079             | DS208TT6       | W208PPB6   | W208PPB6  |
| 11503             | DC211TTR4      | -          | -         |
| 11504             | DC214TTR3      | -          | -         |
| G10212            | DS208TTR21     | GW208PPB5- | GW208PPB5 |
| G10208            | DC214TTR2      | -          | GW214PP2  |
| G10272            | DS208TTR5      | GW208PPB5  | -         |
| G10333            | DS208TTR8      | GW208PPB8  | GW208PPB8 |
| G10446,<br>G11078 | DC210TTR4      | -          | GW210PP4  |
| G10771            | DS210TTR2      | GW210PPB2  | GW210PPB2 |
| G10906            | DS211TTR3      | GW211PPB3  | GW211PPB3 |
| G11071            | DC211TTR3      | GW211PPB   | GW211PP3  |

| J.I.<br>CASE       | WESTWARD PARTS |           | FAFNIR               |
|--------------------|----------------|-----------|----------------------|
|                    | BED            | BEI       |                      |
| 270061503          | DC214TTR3      | -         | -                    |
| 53809              | HPS102GP       | -         | 207KRRB9             |
| A27152             | 8604           | -         | 304KR2               |
| F11506             | 88107          | -         | 207KRR3              |
| F16246             | 203RRAR10      | 203KRR2   | 23KRR2               |
| F53578             | 206GGB         | -         | 206KRRB3             |
| F7293              | 203RRH10       | -         | 203KRR6              |
| H747139            | DC208TT5       | W208PP5   | W208PP5,<br>W208PP20 |
| H747303            | DC208TT10      | W208PP10  | W208PP10             |
| H747394            | DC211TT2       | -         | W211PP2              |
| H747410            | DS209TT2       | W209PPB2  | W209PPB2             |
| H747444            | DC211TT3       | -         | W211PP3              |
| S865               | 205RHN         | -         | 205KR3               |
| T12906<br>NO SEALS | DC208          | -         | -                    |
| T15820             | DS208TT6       | W208PPB6  | W208PPB6             |
| T16288             | DS208TT5       | W208PPB5  | W208PPB5             |
| T16289             | DC208TT        | -         | W208K3               |
| T18562             | 8960DD         | -         | 203NPP9              |
| T25486             | DS208TT8       | W208PPB8  | -                    |
| T28503             | DS208TT12      | W208PPB12 | W208PPB12            |
| T32178             | 203RRAR8       | -         | 203KRR5              |
| T34178             | DS209TT6       | -         | -                    |
| T39594             | 204BBAR        | Z9504B    | P204RR6              |
| T50363             | DC210TT3A      | -         | -                    |
| T5160              | DS211TTR3      | GW211PPB3 | GW211PPB3            |
| T51653             | DC211TTR3      | GW211PP3  | GW211PP3             |
| T53781             | DS210TTR2      | GW210PPB2 | GW210PPB2            |
| T54897             | DS210TTR5R     | GW210PPB5 | GW210PPB5            |
| T56688             | DC210TTR4      | -         | GW210PP4             |
| T57559             | DS211TTR2      | GW211PPB2 | GW211PPB2            |
| T57851             | DS209TTR4      | GW209PPB4 | GW209PPB4            |
| T63252             | HDT1-1/2SR     | -         | -                    |
| XM2896             | 88506A         | -         | 206KRR4              |

| ATHENS<br>FLOW | WESTWARD PARTS |           | FAFNIR               |
|----------------|----------------|-----------|----------------------|
|                | BED            | BEI       |                      |
| GW208PPB-5     | DS208TTR21     | GW208PPB5 | GW208PPB5            |
| GW211PP-3      | DC211TTR3      | GW211PPB3 | GW211PP3             |
| GW211PPB-3     | DS211TTR3      | GW211PPB3 | GW211PPB3            |
| W208PP-5       | DC208TT5       | W208PP5   | W208PP5,<br>W208PP20 |
| W208PPB-6      | DS208TT6       | W208PPB6  | W208PPB6             |

## SPECIALTY AG BEARING INTERCHANGE

| CLARK EQUIPMENT | WESTWARD PARTS |          | FAFNIR               |
|-----------------|----------------|----------|----------------------|
|                 | BED            | BEI      |                      |
| 6510628         | DC211TT3       | -        | W211PP3              |
| 6510843-B1231   | DC208TT5       | W208PP5  | W208PP5,<br>W208PP20 |
| 651-0844        | 204BBAR        | Z8904B   | P204RR6              |
| 65108539        | 204FGB         | -        | 204KRD4              |
| 6519831         | DS208TT6       | W208PPB6 | W208PPB6             |
| 6522422         | DS208TT2A      | -        | W208PPB2             |

| JOHN DEERE          | WESTWARD PARTS              |            | FAFNIR     |
|---------------------|-----------------------------|------------|------------|
|                     | BED                         | BEI        |            |
| A20175              | DS208TTR21                  | GW208PPB5  | GW208PPB5  |
| A20175              | DS208TTR5                   | GW208PPB5  | -          |
| A20649              | -                           | GW209PPB11 | -          |
| A20649              | DS209TTR11                  | GW209PPB11 | GW209PPB11 |
| A27002              | 205RVA                      | -          | 205KRP2    |
| A30137              | 88107BGG                    | -          | 207KRR14   |
| A36060              | 88107BVV                    | -          | 207KYY     |
| AA14878             | DC208TT8                    | W208PP8    | W208PP8    |
| AA24044,<br>JD8658  | DS214TTRA                   | -          | GW214PPB6  |
| AA27863             | AWT2-11/16RRH               | -          | -          |
| AA27864             | AWT2-11/16RLH               | -          | -          |
| AA28184,<br>AA31452 | DS209TTR13                  | -          | -          |
| AA28186             | DS211TTR20                  | GW211PPB20 | -          |
| AB14028             | 285SD                       | -          | -          |
| AE14807E            | 8984YY                      | -          | 203KRR3    |
| AE28294             | 88506A                      | -          | 206KRR4    |
| AE30220             | PR6901                      | -          | 205TRS2    |
| AE37057             | HPS103TP2                   | -          | 207KPPB3   |
| AE41201             | HPC104GPN                   | -          | W208KRR8   |
| AE45208             | HPS108GP8                   | -          | -          |
| AE46606             | HPC104TPA                   | -          | W208PPB21  |
| AE54574             | HPS108GPB<br>(bearing only) | -          | -          |
| AH107148            | HPC011GP                    | -          | 204KRR2    |
| AH210539            | HPC100GP                    | -          | 206KRR6    |
| AK32778             | DC211TT2                    | -          | W211PP2    |
| AK33797             | DC210TT                     | -          | -          |
| AK3997B,<br>JD8539  | DC208TT                     | -          | W208K3     |
| AN100348            | HPS100GP                    | -          | 206KRRB6   |
| AN100425            | 203RRAR10                   | 203KRR2    | 203KRR2    |
| AN102010            | HPS102GPE                   | -          | 207KRRB12  |
| AN11138N            | 206GGB                      | -          | 206KRRB3   |
| AN131864            | 205RHN                      | -          | 205KR3     |
| AN141120            | 203RRAR10N2                 | -          | BB203KRR2  |
| AN160291            | 8960DD                      | -          | 203NPP9    |
| AN240220            | DS209TTR4                   | GW209PPB4  | GW209PPB4  |
| AN240221            | DS211TTR13                  | -          | GW211PPB13 |
| AP26398H            | 203RRH10                    | -          | 203KRR6    |
| AW20540             | DS208TT2A                   | -          | W208PPB2   |
| B34215              | DS211TTR9                   | -          | GW211PPB9  |
| JD10260             | DS208TT6                    | W208PPB6   | W208PPB6   |
| JD7158              | 88505                       | -          | 205NPP2    |
| JD7160              | 206GGB                      | -          | 206KRR8    |

| JOHN DEERE         | WESTWARD PARTS |          | FAFNIR               |
|--------------------|----------------|----------|----------------------|
|                    | BED            | BEI      |                      |
| JD7162             | 88016          | -        | 202NPP11             |
| JD7163             | 88508          | -        | 208KRR2              |
| JD7172             | 88500          | -        | 200KRR3              |
| JD8239             | 204BBAR        | Z9504B   | P204RR6              |
| JD8565             | DC208          | -        | -                    |
| JD8569             | 202FFH8        | -        | 202NPP9              |
| JD8656             | DC211TR2       | -        | GW211PP2             |
| JD8664             | DS209TT5       | W209PPB5 | W209PPB5             |
| JD8664             | DS209TT8A      | -        | -                    |
| JD8667             | DC210TT2       | W210PP2  | W210PP2              |
| JD8949<br>NO SEALS | LM501334SD     | -        | -                    |
| JD9248             | DS208TT5       | W208PPB5 | W208PPB5             |
| JD9260             | HPS014GP       | -        | 205KRRB2             |
| JD9262             | 87506          | -        | 206KRD               |
| JD9266             | 204BBAR        | Z9504B   | 204RR6               |
| JD9295             | 203RRAR8       | -        | 203KRR5              |
| JD9296             | 204BBAR        | Z9504B   | 204RR6               |
| JD9301             | 88107          | -        | 207KRR3              |
| JD9332             | HPS100GP       | -        | G206KRRB6            |
| JD9350             | DC208TT5       | W208PP5  | W208PP5,<br>W208PP20 |
| JD9353             | HPC100TPD      | -        | 206KPP3              |
| JD9373             | HPS104TPN      | -        | W208PPB16            |
| JD9407             | HPS100TR       | -        | G206KPPB4            |
| JD9438             | HPC100TR       | -        | G206KPP4             |
| JD9457             | HPC102GR       | -        | G207KRRB3            |
| L2289C             | RW207CCRA      | -        | 207KRR8              |

| FARMHAND INC. | WESTWARD PARTS |           | FAFNIR       |
|---------------|----------------|-----------|--------------|
|               | BED            | BEI       |              |
| 10771         | DS210TT2       | W210PPB2  | W210PPB2     |
| 11504         | DC214TTR3      | -         | -            |
| 1A64318       | FD209RB        | -         | DHU1-1/2R-20 |
| 1R41009       | DS208TT5       | W208PPB5  | W208PPB5     |
| 310072        | DS209TT2       | W209PPB2  | W209PPB2     |
| 340103        | DS209TT4       | -         | W209PPB4     |
| 7377-1        | DS211TT3       | W211PPB3  | W211PPB3     |
| 7471-2        | 88107          | -         | 207KRR3      |
| 7471-3        | 203RRAR10      | 203KRR2   | 203KRR2      |
| EP5403        | DC211TTR4      | -         | -            |
| EP6576        | DS209TTR4      | GW209PPB4 | GW209PPB4    |
| G10771        | DS210TTR2      | GW210PPB2 | GW210PPB2    |
| G11078        | DC210TTR4      | -         | GW210PP4     |
| JD9238        | 88506A         | -         | 206KRR4      |

| GEHL   | WESTWARD PARTS |     | FAFNIR    |
|--------|----------------|-----|-----------|
|        | BED            | BEI |           |
| 044260 | HPS100GP       | -   | 206KRRB6  |
| 049046 | HPS102GP       | -   | 207KRRB9  |
| 053719 | HPS100GP       | -   | G206KRRB6 |
| 069486 | 206GGB         | -   | 206KRR8   |
| 072056 | DS211TTR8R     | -   | GW211PPB8 |
| 076156 | 203RAR8        | -   | 203KRR5   |
| 176159 | 8984YY         | -   | 203KRR3   |
| 49045  | HPS014GP       | -   | 205KRRB2  |



**SPECIALTY AG BEARING INTERCHANGE**

| HESSTON            | WESTWARD PARTS |            | FAFNIR        |
|--------------------|----------------|------------|---------------|
|                    | BED            | BEI        |               |
| 050-518            | 205RHN         | -          | 203KRR3       |
| 051-185            | 203RRH10       | -          | 203KRR6       |
| 667925R91          | 8984YY         | -          | 203KRR3       |
| 700613             | FD29RB         | -          | DHU1-1/2R-209 |
| 700703101          | HPS104TPN      | -          | W208PPB16     |
| 210152,<br>710-152 | DS208TT6       | W208PPB6   | W208PPB6      |
| 710-673            | 203RRAR8       | -          | 203KRR5       |
| 710-830            | HPC011GP       | -          | 204KRR2       |
| 711-770            | 8850           | -          | 200KRR3       |
| 712-653            | 203RRAR10      | 203KRR2    | 203KRR2       |
| 713-172            | HPS100GP       | -          | 206KRRB6      |
| 771-3829           | PR6901         | -          | 205TRS2       |
| 771-4298           | RW207CCRA      | -          | 207KRR8       |
| 771-4603           | HPS100GP       | -          | G206KRRB6     |
| 8050056            | DS209TTR11     | GW209PPB11 | GW209PPB11    |

| LILLISTON               | WESTWARD PARTS |           | FAFNIR    |
|-------------------------|----------------|-----------|-----------|
|                         | BED            | BEI       |           |
| 04-50-149               | 203RRH10       | -         | 203KRR6   |
| 04-61-184               | 88107          | -         | 207KRR3   |
| 10237                   | 203RRAR8       | -         | 203KRR5   |
| 13-50-037               | DS209TT4       | -         | W209PPB4  |
| 15-50-25                | 202FFH8        | -         | 202NPP9   |
| 1/020-50-006            | 203RRAR10      | 203KRR2   | 203KRR2   |
| 1/020-61-001-9          | 205TTH         | 1015KRRB3 | 205PPB7   |
| 1/500-06-556-4          | 206-1          | -         | 206KR7    |
| 1/500-07-671-2          | 204FVMN        | -         | 204RY2    |
| 1/500-07-782-8          | DS208TT6       | W208PPB6  | W208PPB6  |
| 20-50-012               | 205RHN         | -         | 205KR3    |
| 20-50-125               | 205TNJ         | -         | 205KP6    |
| 20-50-144               | 205TTB         | 1012KRRB3 | 205PP9    |
| 37-61-001               | DS208TT13      | -         | W208PPB13 |
| 37-61-001               | DS208TT12      | W208PPB12 | W208PPB12 |
| 40-50-006,<br>40-61-005 | DS209TTR8      | GW209PPB8 | GW209PPB8 |
| 40-61-001               | DS209TT7       | W209PPB7  | -         |
| 40-61-001               | DS209TT2       | W209PPB2  | W209PPB2  |
| 70-50-001               | DS208TT7       | W208PPB7  | W208PPB7  |
| 79-50-006               | DC208TT6       | -         | W208PP6   |

| IH                      | WESTWARD PARTS        |          | FAFNIR                 |
|-------------------------|-----------------------|----------|------------------------|
|                         | BED                   | BEI      |                        |
| 107095C91               | 203RRAR8              | -        | 203KRR5                |
| 1251062C91              | DS209TT2              | W209PPB2 | W209PPB2               |
| 1268017C91              | 204FVMN               | -        | 204RY2                 |
| 156816C91               | HPS102GPE             | -        | 207KRRB12              |
| 179665C91               | HPS108GPA<br>209KRRB2 | -        | -                      |
| 203389C91               | HPC100TPD             | -        | 206KPP3                |
| 211587C91               | HPS100GP              | -        | 206KRRB6               |
| 212328C91               | HPS100TPD             | -        | 206KPPB3               |
| 479589R91               | 203RRAR10             | 203KRR2  | 203KRR2                |
| 487091R91               | 206GGB                | -        | 206KRRB3               |
| 493430R91               | 8984YY                | -        | 203KRR3                |
| 548928R91               | HPS014GP              | -        | 205KRRB2               |
| 592141R91               | HPC011GP              | -        | 204KRR2                |
| 6024RC91                | DS214TTR5             | -        | -                      |
| 626899R91               | 203RRH10              | -        | 203KRR6                |
| 630095R91,<br>958334R91 | DS211TT3              | W211PPB3 | W211PPB3               |
| 630210R91               | DS208TT5              | W28PPB5  | W208PPB5               |
| 668080R91               | 88508                 | -        | 208KRR2                |
| 669790R91               | 88506A                | -        | 206KRR4                |
| 669807R91               | 205RHN                | -        | 205KR3                 |
| 818112C91               | DC209TTR8             | -        | -                      |
| 952523R91               | DC211TT2              | -        | W211PP2                |
| 958251R91               | -                     | W214PPB9 | W214PPB9               |
| 963889R91               | DC208TT5              | W208PP5  | W28PP5,<br>W208PP20    |
| 963889R91               | DC208TT6              | -        | W208PP6                |
| ST3012A                 | FJ211RJA              | -        | -                      |
| ST3028                  | FD211RE               | -        | DHU1-3/4R-211          |
| ST491A                  | FD209RA               | ST491A   | 491A,<br>DHU1-3/4R-209 |
| ST607A                  | DS209TT6E             | -        | -                      |
| ST627A                  | DS211TT4              | -        | -                      |
| ST740B                  | FD211RB               | -        | DHU2-3/16R-<br>211     |

| MASSEY<br>FERGUSON                 | WESTWARD PARTS |           | FAFNIR    |
|------------------------------------|----------------|-----------|-----------|
|                                    | BED            | BEI       |           |
| 1905678M1                          | DC211TT3       | -         | W211PP3   |
| 447899M1                           | DS208TT12      | W208PPB12 | W208PPB12 |
| 447899M1                           | DS208TT13      | -         | W208PPB13 |
| 449432M1                           | DS211TTR3      | GW211PPB3 | GW211PPB3 |
| 831110M1,<br>832634M2              | DS208TT2A      | W208PPB23 | W208PPB23 |
| 8631960M3                          | DS210TT4       | -         | W210PPB4  |
| 831960M3                           | DS210TT2       | W210PPB2  | W210PPB2  |
| 832540M1                           | DS211TT3       | W211PPB3  | W211PPB3  |
| 832540M1                           | DS211TT6       | -         | W211PPB6  |
| 832628M1                           | 88506A         | -         | 206KRR4   |
| 832629M1                           | 88107          | -         | 207KRR3   |
| 832624M3,<br>843638M1,<br>190566M1 | DS208TT5       | W208PPB5  | W208PPB5  |
| 832651M1                           | 203RRAR10      | 203KRR2   | 203KRR2   |
| 832768M1                           | 8960DD         | -         | 203NPP9   |
| 834367M1                           | DS208TTY       | W208PPB7  | W208PPB7  |
| 834367M1,<br>1025130M1             | DS208TT6       | W2089PPB6 | W208PPB6  |
| 835050M1                           | DS209TT2       | W209PPB2  | W209PPB2  |
| 835050N4                           | DS209TT4       | -         | W209PPB4  |
| 842237M1                           | 206GGB         | -         | 206KRR8   |
| 842303M1                           | DC210TT2       | W210PP2   | W210PP2   |
| 842303M1                           | DS209TT5       | W209PPB5  | W209PPB5  |
| 842696M1                           | HPC014GP       | -         | 205KRR2   |
| 8432323M1                          | DS209TTR5      | GW209PPB5 | GW209PPB5 |

## SPECIALTY AG BEARING INTERCHANGE

| MOTT           | WESTWARD PARTS |         | FAFNIR  |
|----------------|----------------|---------|---------|
|                | BED            | BEI     |         |
| 000703(300413) | 203RRAR10      | 203KRR2 | 203KRR2 |

| ROME INDUSTRIES | WESTWARD PARTS |           | FAFNIR    |
|-----------------|----------------|-----------|-----------|
|                 | BED            | BEI       |           |
| CB-66A          | DS211TTR2      | GW211PPB2 | GW211PPB2 |

| NEW HOLLAND | WESTWARD PARTS |           | FAFNIR    |
|-------------|----------------|-----------|-----------|
|             | BED            | BEI       |           |
| 121602      | HPS102GP       | -         | 207KRRB9  |
| 134384      | 88107          | -         | 207KRR3   |
| 135241      | HPS100GP       | -         | 206KRRB6  |
| 135423      | HPC100GP       | -         | 206KRR6   |
| 165484      | 8984YY         | -         | 203KRR3   |
| 232468      | DC211TT5       | -         | W211PP5   |
| 232471      | DC208TT6       | -         | W208PP6   |
| 276882      | DS209TTR2      | GW209PPB2 | GW209PPB2 |
| 40714       | CF6672         | -         | -         |
| 44457       | PR6901         | -         | 205TRS2   |
| 47192       | 88107          | -         | 207KRR    |
| 49436       | HPC014GP       | -         | 205KRR2   |
| 50775       | HPS014GP       | -         | 205KRRB2  |
| 56617       | 8980DD         | -         | P203PP10  |
| 66553       | 203RRAR10      | 203KRR2   | 203KRR2   |
| 671067      | 203RRAR8       | -         | 203KRR5   |
| NDAS4508BJ  | DS208TT5       | W208PPB5  | W208PPB5  |
| NDAS4508FF  | DS208TT13      | -         | W208PPB13 |
| SPB238481B  | DS208TTR8      | GW208PPB8 | GW208PPB8 |

| VERMEER  | WESTWARD PARTS |     | FAFNIR  |
|----------|----------------|-----|---------|
|          | BED            | BEI |         |
| *202NPP9 | 202FFH8        | -   | 202NPP9 |
| *203KRR3 | 8984YY         | -   | 203KRR3 |
| *203KRR6 | 203RRH10       | -   | 203KRR6 |

| VERSATILE | WESTWARD PARTS |          | FAFNIR |
|-----------|----------------|----------|--------|
|           | BED            | BEI      |        |
| V7185     | UCX10-31       | UCX10-31 | -      |

| WHITE FARM EQUIPMENT | WESTWARD PARTS |           | FAFNIR        |
|----------------------|----------------|-----------|---------------|
|                      | BED            | BEI       |               |
| 104136A              | 88107          | -         | 207KRR        |
| 20H2152              | DS209TT4       | -         | W209PPB4      |
| 20H5836              | DS208TTR6      | -         | GW208PPB6     |
| 213778B              | DS208TTR5      | GW208PPB5 | -             |
| 213778B              | DS208TTR21     | GW208PPB5 | GW208PPB5     |
| 21184B               | DS208TT14      | -         | -             |
| 230586B              | 206GGB         | -         | 206KRRB3      |
| 237092B              | DS208TT7       | W208PPB7  | W208PPB7      |
| 237092B              | DS209TT2       | W209PPB2  | W209PPB2      |
| 237909B              | DS211TTR3      | GW211PPB3 | GW211PPB3     |
| 238481B, W238481B    | DS208TTR8      | GW208PPB8 | GW208PPB8     |
| 238732B              | DS210TTR5S     | -         | -             |
| 238799B              | FD209RM        | -         | DHU1-1/8S-209 |
| 245678B              | 203RRAR10N2    | -         | BB203KRR2     |
| 247167B              | 202RRE         | -         | J202KERR8     |
| 25H000862            | 203RRAR10      | 203KRR2   | 203KRR2       |
| 31-1577800           | DS208TT2A      | -         | W208PPB2      |
| 403194E              | RW207CCRA      | -         | 27KRR8        |
| 408808D              | DC210TT2       | W210PP2   | W210PP2       |
| 408808D              | DS210TT2       | W210PPB2  | W210PPB2      |
| 507138E              | HPC014GP       | -         | 205KRR2       |
| 510514E              | 206GGB         | -         | 206KRR8       |
| 515255E              | HPS014GP       | -         | 205KRRB2      |
| 518156E              | 8984YY         | -         | 203KRR3       |
| 9110090              | 203RRH10       | -         | 203KRR6       |
| 9112010              | 88107          | 207KRR3   | -             |
| W238813              | FD209RB        | -         | DHU1-1/2R-209 |

| NEW IDEA | WESTWARD PARTS |        | FAFNIR  |
|----------|----------------|--------|---------|
|          | BED            | BEI    |         |
| 012753   | 204BBAR        | Z9504B | 204RR6  |
| 106801   | 205RHN         | -      | 205KRR3 |
| 108039   | 88107          | -      | 207KRR  |
| 7000242  | 8984YY         | -      | 203KRR3 |

| OWATONNA  | WESTWARD PARTS |     | FAFNIR  |
|-----------|----------------|-----|---------|
|           | BED            | BEI |         |
| 010-16327 | 8984YY         | -   | 203KRR3 |
| 011-10363 | 88107          | -   | 207KRR3 |

**SPECIALTY AG BEARING INTERCHANGE**

| FARNIR    | WESTWARD BED  | WESTWARD BEI | ALLIS CHALMERS | AMCO PRODUCTS | ATHENS PLOWS | BUSH HOG               | J.I. CASE          | CLARK EQ. CO. | JOHN DEERE                    | FARM-HAND | FORD            | GEHL   | HESSTON   |
|-----------|---------------|--------------|----------------|---------------|--------------|------------------------|--------------------|---------------|-------------------------------|-----------|-----------------|--------|-----------|
| -         | 3855D         | -            | -              | -             | -            | -                      | -                  | -             | AB14028                       | -         | -               | -      | -         |
| -         | AW12-11/16RLH | -            | -              | -             | -            | -                      | -                  | -             | AA27864                       | -         | -               | -      | -         |
| -         | AW12-11/16RRH | -            | -              | -             | -            | -                      | -                  | -             | AA27863                       | -         | -               | -      | -         |
| -         | CF6672        | -            | -              | -             | -            | -                      | -                  | -             | -                             | -         | -               | -      | -         |
| -         | DC208         | -            | -              | -             | -            | -                      | T12903<br>NO SEALS | -             | JD8565                        | -         | -               | -      | -         |
| -         | DC208TTR17    | -            | -              | -             | -            | 14-24-63,<br>14-36-183 | -                  | -             | -                             | -         | -               | -      | -         |
| -         | DC209TTR8     | -            | -              | -             | -            | -                      | -                  | -             | -                             | -         | -               | -      | -         |
| -         | DC210TT       | -            | -              | -             | -            | -                      | -                  | -             | AK33797                       | -         | -               | -      | -         |
| -         | DC210TT3A     | -            | -              | -             | -            | -                      | T50363             | -             | -                             | -         | -               | -      | -         |
| -         | DC210TT4      | -            | -              | 11078         | -            | -                      | -                  | -             | -                             | -         | -               | -      | -         |
| -         | DC210TTR9     | -            | -              | -             | -            | 14-50-5                | -                  | -             | -                             | -         | -               | -      | -         |
| -         | DC211TTR4     | -            | -              | 11503         | -            | -                      | -                  | -             | -                             | EP5403    | -               | -      | -         |
| -         | DC214TTR3     | -            | -              | 11504         | -            | -                      | -                  | -             | -                             | 11504     | -               | -      | -         |
| -         | DS208TT12A    | -            | -              | -             | -            | 11142416               | -                  | -             | -                             | -         | -               | -      | -         |
| -         | DS208TT14     | -            | -              | -             | -            | -                      | -                  | -             | -                             | -         | 201824          | -      | -         |
| -         | DS208TT8      | W208PPB8     | -              | 10333         | -            | -                      | T25486             | -             | -                             | -         | -               | -      | -         |
| -         | DS208TTR5     | GW208PPB5    | -              | G10272        | -            | -                      | -                  | -             | A20175                        | -         | -               | -      | -         |
| -         | DS209TT6      | -            | -              | -             | -            | -                      | T34178             | -             | -                             | -         | -               | -      | -         |
| -         | DS209TT6E     | -            | -              | -             | -            | -                      | -                  | -             | -                             | -         | -               | -      | -         |
| -         | DS209TT7      | W209PPB7     | -              | -             | -            | -                      | -                  | -             | -                             | -         | -               | -      | -         |
| -         | DS209TT8A     | -            | -              | -             | -            | -                      | -                  | -             | JD8664<br>A20649              | -         | -               | -      | -         |
| -         | -             | GW209PPB11   | -              | -             | -            | -                      | -                  | -             | -                             | -         | -               | -      | -         |
| -         | DS209TTR13    | -            | -              | -             | -            | -                      | -                  | -             | AA28184,<br>AA31452           | -         | -               | -      | -         |
| -         | DS210TTR5S    | -            | -              | -             | -            | -                      | -                  | -             | -                             | -         | -               | -      | -         |
| -         | DS211TT4      | -            | -              | -             | -            | -                      | -                  | -             | -                             | -         | -               | -      | -         |
| -         | DS211TTR20    | GW211PPB20   | -              | -             | -            | -                      | -                  | -             | AA28186                       | -         | -               | -      | -         |
| -         | DS214TTR5     | -            | -              | -             | -            | -                      | -                  | -             | -                             | -         | -               | -      | -         |
| -         | FJ211RJA      | -            | -              | -             | -            | -                      | -                  | -             | -                             | -         | -               | -      | -         |
| -         | HDT1-1/2SR    | -            | -              | -             | -            | -                      | T63252             | -             | -                             | -         | -               | -      | -         |
| -         | HPS108GPB     | -            | -              | -             | -            | -                      | -                  | -             | AE45208<br>JD8949<br>NO SEALS | -         | -               | -      | -         |
| -         | LM501334SD    | -            | -              | -             | -            | -                      | -                  | -             | -                             | -         | -               | -      | -         |
| 202KRR3   | 88500         | -            | -              | -             | -            | -                      | -                  | -             | JD7172                        | -         | -               | -      | 711-770   |
| 202NPP11  | 88016         | -            | -              | -             | -            | -                      | -                  | -             | JD7162                        | -         | -               | -      | -         |
| 202NPP9   | 202FFH8       | -            | -              | -             | -            | -                      | -                  | -             | JD8569                        | -         | -               | -      | -         |
| 203KRR2   | 203RRAR10     | 203KRR2      | 825916         | -             | -            | 920                    | F16246             | -             | AN100425                      | 7471-3    | 222279          | 520177 | 712-653   |
| 203KRR3   | 8984YY        | -            | -              | -             | -            | -                      | -                  | -             | A114807E                      | -         | 711770          | 076159 | 667925R91 |
| 203KRR5   | 203RRAR8      | -            | 562134         | -             | -            | -                      | T32178             | -             | JD9295                        | -         | -               | 076156 | 710-673   |
| 203KRR6   | 203RRH10      | -            | 1126056        | -             | -            | -                      | R7293              | -             | AP2639RH                      | -         | -               | -      | 051-185   |
| 203NPP9   | 8960DD        | -            | 345016         | -             | -            | -                      | T18562             | -             | AN160291                      | -         | -               | -      | -         |
| 204KR2    | 8604          | -            | -              | -             | -            | -                      | -                  | -             | -                             | -         | -               | -      | -         |
| 204KRD4   | 204FGB        | -            | -              | -             | -            | -                      | -                  | 6510539       | -                             | -         | -               | -      | -         |
| 204KRR2   | HCP011GP      | -            | 561381         | -             | -            | -                      | -                  | -             | AH107148                      | -         | -               | -      | 710-830   |
| 204KRR4   | HPC010GP      | -            | -              | -             | -            | -                      | -                  | -             | -                             | -         | -               | -      | -         |
| 204RR6    | 204BBAR       | Z9504B       | -              | -             | -            | 0108030203             | -                  | -             | JD9296                        | -         | -               | -      | -         |
| 204RR6    | 204BBAR       | Z9504B       | 561382         | -             | -            | -                      | -                  | -             | JD9266                        | -         | -               | -      | -         |
| 204RR8    | 204BBE        | -            | 571020         | -             | -            | -                      | -                  | -             | -                             | -         | -               | -      | -         |
| 204RY2    | 204FVMN       | -            | -              | -             | -            | -                      | -                  | -             | -                             | -         | -               | -      | -         |
| 205KP6    | 205TNJ        | -            | -              | -             | -            | -                      | -                  | -             | -                             | -         | -               | -      | -         |
| 205KR3    | 205RHN        | -            | -              | -             | -            | -                      | S865               | -             | AN131864                      | -         | 106801          | -      | 050-518   |
| 205KRP2   | 205RVA        | -            | -              | -             | -            | -                      | -                  | -             | A27002                        | -         | -               | -      | -         |
| 205KRR2   | HPC014GP      | -            | -              | -             | -            | -                      | -                  | -             | -                             | 166598    | -               | -      | -         |
| 205KRRB2  | HPS014GP      | -            | -              | -             | -            | -                      | -                  | -             | JD9260                        | -         | -               | 49045  | -         |
| 205NPP2   | 88505         | -            | -              | -             | -            | -                      | -                  | -             | JD7158                        | -         | -               | -      | -         |
| 205PP9    | 205TTB        | 1012KRRB3    | -              | -             | -            | -                      | -                  | -             | -                             | -         | -               | -      | -         |
| 205PPB7   | 205TTH        | 1015KRRB3    | -              | -             | -            | -                      | -                  | -             | -                             | -         | -               | -      | -         |
| 205TRS2   | R6901         | -            | -              | -             | -            | -                      | -                  | -             | AE30220                       | -         | -               | -      | 771-3829  |
| 206KPP3   | HPC100TPD     | -            | -              | -             | -            | -                      | -                  | -             | JD9353                        | -         | -               | -      | -         |
| 206KPPB3  | HPS100TPD     | -            | -              | -             | -            | -                      | -                  | -             | -                             | -         | -               | -      | -         |
| 206KR7    | 206-1         | -            | 1302496        | -             | -            | -                      | -                  | -             | -                             | -         | -               | -      | -         |
| 206KRD    | 87506         | -            | -              | -             | -            | -                      | -                  | -             | JD9262                        | -         | -               | -      | -         |
| 206KRR4   | 88506A        | -            | -              | -             | -            | -                      | XM2896             | -             | AE28294                       | JD9238    | 242007          | -      | -         |
| 206KRR6   | HPC100GP      | -            | -              | -             | -            | -                      | -                  | -             | AH210539                      | -         | -               | -      | -         |
| 206KRR8   | 206GGB        | -            | -              | -             | -            | -                      | -                  | -             | JD7160                        | -         | -               | 069486 | -         |
| 206KRRB3  | 206GGB        | -            | 536147         | -             | -            | -                      | F53578             | -             | AN11138N                      | -         | 7400038         | -      | -         |
| 206KRRB6  | HPS100GP      | -            | -              | -             | -            | -                      | -                  | -             | AN100348                      | -         | -               | 044260 | 713-172   |
| 207KPPB3  | HPS103TP2     | -            | -              | -             | -            | -                      | -                  | -             | AE37057                       | -         | -               | -      | -         |
| 207KRR    | 88107         | -            | -              | -             | -            | -                      | -                  | -             | -                             | -         | 108039          | -      | -         |
| 207KRR14  | 88107BGG      | -            | -              | -             | -            | -                      | -                  | -             | A30137                        | -         | -               | -      | -         |
| 207KRR3   | 88107         | -            | 1132366        | -             | -            | -                      | F11506             | -             | JD9301                        | 7471-2    | -               | -      | -         |
| 207KRR8   | RW207CCRA     | -            | -              | -             | -            | -                      | -                  | -             | L2289C                        | -         | C3AW-<br>1225-A | -      | 771-4298  |
| 207KRRB12 | HPS102GPE     | -            | -              | -             | -            | -                      | -                  | -             | AN102010                      | -         | -               | -      | -         |
| 208KRRB9  | HPS102GP      | -            | 1197194        | -             | -            | -                      | 53809              | -             | -                             | -         | -               | 049046 | -         |
| 209KYY    | 88107BW       | -            | -              | -             | -            | -                      | -                  | -             | A36060                        | -         | -               | -      | -         |
| 208KRR2   | 88508         | -            | -              | -             | -            | -                      | -                  | -             | JD7163                        | -         | 175041          | -      | -         |
| 209KRR3   | 88509         | -            | -              | -             | -            | -                      | -                  | -             | -                             | -         | -               | -      | -         |
| 209KRRB2  | HPS108GPHN    | -            | -              | -             | -            | -                      | -                  | -             | -                             | -         | -               | -      | -         |
| 304KR2    | 8604          | -            | -              | -             | -            | -                      | A27152             | -             | -                             | -         | -               | -      | -         |

## SPECIALTY AG BEARING INTERCHANGE

| IH         | LILUSTON       | MASSEY FERGUSON | MOTT           | NEW HOLLAND | NEW IDEA | OWA-TONNA | ROME | VERMEER  | WHITE     | WESTWARD BEI | WESTWARD BED   | FAFNIR   |
|------------|----------------|-----------------|----------------|-------------|----------|-----------|------|----------|-----------|--------------|----------------|----------|
| -          | -              | -               | -              | -           | -        | -         | -    | -        | -         | -            | 3855D          | -        |
| -          | -              | -               | -              | -           | -        | -         | -    | -        | -         | -            | AWT2-11/16RLH  | -        |
| -          | -              | -               | -              | -           | -        | -         | -    | -        | -         | -            | AWT12-11/16RRH | -        |
| -          | -              | -               | -              | 40714       | -        | -         | -    | -        | -         | -            | CF6672         | -        |
| -          | -              | -               | -              | -           | -        | -         | -    | -        | -         | -            | DC208          | -        |
| -          | -              | -               | -              | -           | -        | -         | -    | -        | -         | -            | DC208TTR17     | -        |
| 818112C91  | -              | -               | -              | -           | -        | -         | -    | -        | -         | -            | DC209TTR8      | -        |
| -          | -              | -               | -              | -           | -        | -         | -    | -        | -         | -            | DC210TT        | -        |
| -          | -              | -               | -              | -           | -        | -         | -    | -        | -         | -            | DC210TT3A      | -        |
| -          | -              | -               | -              | -           | -        | -         | -    | -        | -         | -            | DC210TT4       | -        |
| -          | -              | -               | -              | -           | -        | -         | -    | -        | -         | -            | DC210TTR9      | -        |
| -          | -              | -               | -              | -           | -        | -         | -    | -        | -         | -            | DC211TTR4      | -        |
| -          | -              | -               | -              | -           | -        | -         | -    | -        | -         | -            | DC214TTR3      | -        |
| -          | -              | -               | -              | -           | -        | -         | -    | -        | -         | -            | DS208TT12A     | -        |
| -          | -              | -               | -              | -           | -        | -         | -    | -        | 221184B   | -            | DS208TT14      | -        |
| -          | -              | -               | -              | -           | -        | -         | -    | -        | -         | W208PPB8     | DS208TT8       | -        |
| -          | -              | -               | -              | -           | -        | -         | -    | -        | 213778B   | GW208PPB5    | DS208TTR5      | -        |
| -          | -              | -               | -              | -           | -        | -         | -    | -        | -         | -            | DS209TT6       | -        |
| ST607A     | -              | -               | -              | -           | -        | -         | -    | -        | -         | -            | DS209TT6E      | -        |
| -          | 40-61-001      | -               | -              | -           | -        | -         | -    | -        | -         | W209TTB7     | DS209TT7       | -        |
| -          | -              | -               | -              | -           | -        | -         | -    | -        | -         | -            | DS209TT8A      | -        |
| -          | -              | -               | -              | -           | -        | -         | -    | -        | -         | GW209PB11    | -              | -        |
| -          | -              | -               | -              | -           | -        | -         | -    | -        | -         | -            | DS209TTR13     | -        |
| -          | -              | -               | -              | -           | -        | -         | -    | -        | 238732B   | -            | DS210TTR5S     | -        |
| ST627A     | -              | -               | -              | -           | -        | -         | -    | -        | -         | -            | DS211TT4       | -        |
| -          | -              | -               | -              | -           | -        | -         | -    | -        | -         | GW211PPB20   | DS211TTR20     | -        |
| 60249X91   | -              | -               | -              | -           | -        | -         | -    | -        | -         | -            | DS214TTR5      | -        |
| ST3012A    | -              | -               | -              | -           | -        | -         | -    | -        | -         | -            | FJ211RJA       | -        |
| -          | -              | -               | -              | -           | -        | -         | -    | -        | -         | -            | HDT1-1/2SR     | -        |
| -          | -              | -               | -              | -           | -        | -         | -    | -        | -         | -            | HPS108GPB      | -        |
| -          | -              | -               | -              | -           | -        | -         | -    | -        | -         | -            | LM501334SD     | -        |
| -          | -              | -               | -              | -           | -        | -         | -    | -        | -         | -            | 88500          | 200KRR3  |
| -          | -              | -               | -              | -           | -        | -         | -    | -        | -         | -            | 88016          | 202NP11  |
| -          | 15-50-25       | -               | -              | -           | -        | -         | -    | *202NPP9 | -         | -            | 202FFH8        | 202NPP9  |
| 479589R91  | 1/020-50-006   | 832651M1        | 000703(300413) | 66553       | -        | -         | -    | -        | 25H000862 | 203KRR2      | 203RRAR10      | 203KRR2  |
| 493430R91  | -              | -               | -              | 165484      | 700242   | 010-16327 | -    | *203KRR3 | 518156E   | -            | 8984YY         | 203KRR3  |
| 107095C91  | 10237          | -               | -              | 671067      | -        | -         | -    | -        | -         | -            | 203RRAR8       | 203KRR5  |
| 626899R91  | 04-50-149      | -               | -              | -           | -        | -         | -    | *203KRR6 | 9110090   | -            | 203RRH10       | 203KRR6  |
| -          | -              | 832768M1        | -              | -           | -        | -         | -    | -        | -         | -            | 8960DD         | 203NPP9  |
| -          | -              | -               | -              | -           | -        | -         | -    | -        | -         | -            | 8604           | 204KR2   |
| -          | -              | -               | -              | -           | -        | -         | -    | -        | -         | -            | 204FGB         | 204KRD4  |
| 592141R91  | -              | -               | -              | -           | -        | -         | -    | -        | -         | -            | HPC011GP       | 204KRR2  |
| -          | -              | -               | -              | -           | -        | -         | -    | -        | -         | -            | HPC0110GP      | 204KRR4  |
| -          | -              | -               | -              | -           | 012753   | -         | -    | -        | Z9504B    | -            | 204BBAR        | 204RR6   |
| -          | -              | -               | -              | -           | -        | -         | -    | -        | Z9504B    | -            | 204BBAR        | 204RR6   |
| -          | -              | -               | -              | -           | -        | -         | -    | -        | -         | -            | 204BBE         | 204RR8   |
| 1268017C91 | 1/500-07-671-2 | -               | -              | -           | -        | -         | -    | -        | -         | -            | 204FVMN        | 204RY2   |
| -          | 20-50-125      | -               | -              | -           | -        | -         | -    | -        | -         | -            | 205TNJ         | 205KP6   |
| 669807R91  | 20-50-012      | -               | -              | -           | 106801   | -         | -    | -        | -         | -            | 205RHN         | 205KR3   |
| -          | -              | -               | -              | -           | -        | -         | -    | -        | -         | -            | 205RVA         | 205KRP2  |
| -          | -              | 842696M1        | -              | 49436       | -        | -         | -    | -        | 507138E   | -            | HPC014GP       | 205KRR2  |
| 548928R91  | -              | -               | -              | 50775       | -        | -         | -    | -        | 515255E   | -            | HPS014GP       | 205KRRB2 |
| -          | -              | -               | -              | -           | -        | -         | -    | -        | -         | -            | 88505          | 205NPP2  |
| -          | 20-50-144      | -               | -              | -           | -        | -         | -    | -        | -         | 1012KRRB3    | 205TTB         | 205PP9   |
| -          | 1/020-61-001-9 | -               | -              | -           | -        | -         | -    | -        | -         | 1015KRRB3    | 205TTH         | 205PPB7  |
| -          | -              | -               | -              | 44457       | -        | -         | -    | -        | -         | -            | PR6901         | 205TRS2  |
| 203389C91  | -              | -               | -              | -           | -        | -         | -    | -        | -         | -            | HPC100TPD      | 206KPP3  |
| 212328C91  | -              | -               | -              | -           | -        | -         | -    | -        | -         | -            | HPS100TPD      | 206KPPB3 |
| -          | 1/500-06-556-4 | -               | -              | -           | -        | -         | -    | -        | -         | -            | 206-1          | 206KR7   |
| -          | -              | -               | -              | -           | -        | -         | -    | -        | -         | -            | 87506          | 206KRD   |
| 669790R91  | -              | 832628M1        | -              | -           | -        | -         | -    | -        | -         | -            | 88506A         | 206KRR4  |
| -          | -              | -               | -              | 135423      | -        | -         | -    | -        | -         | -            | HPC100GP       | 206KRR6  |
| -          | -              | 842237M1        | -              | -           | -        | -         | -    | -        | 510514E   | -            | 206GGB         | 206KRR8  |
| 487091R91  | -              | -               | -              | -           | -        | -         | -    | -        | 230586B   | -            | 206GGB         | 206KRRB3 |
| 211587C91  | -              | -               | -              | 135241      | -        | -         | -    | -        | -         | -            | HPS100GP       | 206KRRB6 |
| -          | -              | -               | -              | -           | -        | -         | -    | -        | -         | -            | HPS103TP2      | 207KPPB3 |
| -          | -              | -               | -              | 47192       | 108039   | -         | -    | -        | 104136A   | -            | 88107          | 207KRR   |
| -          | -              | -               | -              | -           | -        | -         | -    | -        | -         | -            | 88107BGG       | 207KRR14 |
| -          | 04-61-184      | 832629M1        | -              | 134384      | -        | 011-10363 | -    | -        | 9112010   | -            | 88107          | 207KRR3  |
| -          | -              | -               | -              | -           | -        | -         | -    | -        | 403194E   | -            | RW207CCRA      | 207KRR8  |
| 156816C91  | -              | -               | -              | -           | -        | -         | -    | -        | -         | -            | HPS102GPE      | 206KRRB3 |
| -          | -              | -               | -              | 121602      | -        | -         | -    | -        | -         | -            | HPS102GP       | 206KRRB6 |
| -          | -              | -               | -              | -           | -        | -         | -    | -        | -         | -            | 88107BW        | 207KYY   |
| 66808R91   | -              | -               | -              | -           | -        | -         | -    | -        | -         | -            | 88508          | 208KRR2  |
| -          | -              | -               | -              | -           | -        | -         | -    | -        | -         | -            | 88509          | 209KRR3  |
| -          | -              | -               | -              | -           | -        | -         | -    | -        | -         | -            | HPS108GPHN     | 209KRRB2 |
| -          | -              | -               | -              | -           | -        | -         | -    | -        | -         | -            | 8604           | 304KR2   |



## SPECIALTY AG BEARING INTERCHANGE

| IH                       | LILUSTON                | MASSEY FERGUSON        | MOTT | NEW HOLLAND | NEW IDEA | OWA-TONNA | ROME   | VERMEER | WHITE                | WESTWARD BEI | WESTWARD BED | FAFNIR                 |
|--------------------------|-------------------------|------------------------|------|-------------|----------|-----------|--------|---------|----------------------|--------------|--------------|------------------------|
| ST491A                   | -                       | -                      | -    | -           | -        | -         | -      | -       | -                    | ST491A       | FD209RA      | 491A,<br>DHU1-3/4R-209 |
| -                        | -                       | -                      | -    | -           | -        | -         | -      | -       | 245678B              | -            | 203RRAR10N2  | BB203KRR2              |
| -                        | -                       | -                      | -    | -           | -        | -         | -      | -       | W238813              | -            | FD209RB      | DHU1-1-2R-209          |
| -                        | -                       | -                      | -    | -           | -        | -         | -      | -       | -                    | -            | FD209RK      | DHU1-1/4S-209          |
| -                        | -                       | -                      | -    | -           | -        | -         | -      | -       | 238799B              | -            | FD209RM      | DHU1-1/8S-209          |
| ST3028                   | -                       | -                      | -    | -           | -        | -         | -      | -       | -                    | -            | FD211RE      | DHU1-3/4R-211          |
| ST740B                   | -                       | -                      | -    | -           | -        | -         | -      | -       | -                    | -            | FD211RB      | DHU2-3/16R-211         |
| -                        | -                       | -                      | -    | -           | -        | -         | -      | -       | -                    | -            | HPC100TR     | G206KPP4               |
| -                        | -                       | -                      | -    | -           | -        | -         | -      | -       | -                    | -            | HPS100TR     | G206KPPB4              |
| -                        | -                       | -                      | -    | -           | -        | -         | -      | -       | -                    | -            | HPS100GP     | G206KRRB6              |
| -                        | -                       | -                      | -    | -           | -        | -         | -      | -       | -                    | -            | HPS102GR     | G207KRRB3              |
| -                        | -                       | -                      | -    | -           | -        | -         | -      | -       | -                    | -            | HPS104TR     | GW208PPB22             |
| -                        | -                       | -                      | -    | -           | -        | -         | -      | -       | 213778B              | GW208PPB5    | DS208TTR21   | GW208PPB5              |
| -                        | -                       | -                      | -    | -           | -        | -         | -      | -       | 20H5836              | -            | DS208TTR6    | GW208PPB6              |
| -                        | -                       | -                      | -    | SPB238481B  | -        | -         | -      | -       | 238481B,<br>W238481B | GW208PPB8    | DS208TTR8    | GW208PPB8              |
| -                        | -                       | -                      | -    | -           | -        | -         | -      | -       | -                    | GW29PPB11    | DS209TTR11   | GW209PPB11             |
| -                        | -                       | -                      | -    | 276882      | -        | -         | -      | -       | -                    | GW209PPB2    | DS209TTR2    | GW209PPB2              |
| -                        | -                       | -                      | -    | -           | -        | -         | -      | -       | -                    | GW209PPB4    | DS209TTR4    | GW209PPB4              |
| -                        | -                       | 8432323M1              | -    | -           | -        | -         | -      | -       | -                    | GW209PPB5    | DS209TTR5    | GW209PPB5              |
| -                        | 40-50-006,<br>40-61-005 | -                      | -    | -           | -        | -         | -      | -       | -                    | GW209PPB8    | DS2096TTR8   | GW209PPB8              |
| -                        | -                       | -                      | -    | -           | -        | -         | -      | -       | -                    | -            | DC210TTR4    | GW210PP4               |
| -                        | -                       | -                      | -    | -           | -        | -         | -      | -       | -                    | GW210PPB2    | DS210TTR2    | GW210PPB2              |
| -                        | -                       | -                      | -    | -           | -        | -         | -      | -       | -                    | -            | DS210TTR4    | GW210PPB4              |
| -                        | -                       | -                      | -    | -           | -        | -         | -      | -       | -                    | GW210PPB5    | DS210TTR5R   | GW210PPB5              |
| -                        | -                       | -                      | -    | -           | -        | -         | -      | -       | -                    | -            | DC211TTR2    | GW211PP2               |
| -                        | -                       | -                      | -    | -           | -        | -         | -      | -       | -                    | GW211PP3     | DC211TTR3    | GW211PP3               |
| -                        | -                       | -                      | -    | -           | -        | -         | -      | -       | -                    | -            | DS211TTR13   | GW211PPB13             |
| -                        | -                       | -                      | -    | -           | -        | -         | CB-66A | -       | -                    | GW211PPB2    | DS211TTR2    | GW211PPB2              |
| -                        | -                       | 449432M1               | -    | -           | -        | -         | -      | -       | 237909B              | GW211PPB3    | DS211TTR3    | GW211PPB3              |
| -                        | -                       | -                      | -    | -           | -        | -         | -      | -       | -                    | -            | DS211TTR8R   | GW211PPB8              |
| -                        | -                       | -                      | -    | -           | -        | -         | -      | -       | -                    | -            | DS211TTR9    | GW211PPB9              |
| -                        | -                       | -                      | -    | -           | -        | -         | -      | -       | -                    | -            | DC214TTR2    | GW214PP2               |
| -                        | -                       | -                      | -    | -           | -        | -         | -      | -       | -                    | -            | DS214TTRA    | GW214PPB6              |
| -                        | -                       | -                      | -    | -           | -        | -         | -      | -       | -                    | -            | DC216TTR2    | GW216PP2               |
| -                        | -                       | -                      | -    | -           | -        | -         | -      | -       | -                    | -            | 204FREN      | H204KYNP2              |
| -                        | -                       | -                      | -    | -           | -        | -         | -      | -       | -                    | -            | 204FRK       | H204RR11               |
| -                        | -                       | -                      | -    | -           | -        | -         | -      | -       | 247167B              | -            | 202RRE       | J202KERR8              |
| -                        | -                       | -                      | -    | -           | -        | -         | -      | -       | -                    | -            | 88016        | P202NPP11              |
| -                        | -                       | -                      | -    | -           | -        | -         | -      | -       | -                    | -            | 204BAR       | P203KR2                |
| -                        | -                       | -                      | -    | -           | -        | -         | -      | -       | -                    | -            | 8984YY       | P203KRR3               |
| -                        | -                       | -                      | -    | 56617       | -        | -         | -      | -       | -                    | -            | 8980DD       | P2203PP10              |
| -                        | -                       | -                      | -    | -           | -        | -         | -      | -       | -                    | Z9504B       | 204BBAR      | P204RR6                |
| -                        | -                       | -                      | -    | -           | -        | -         | -      | -       | -                    | -            | 207PGA       | P207KRNBP13            |
| -                        | -                       | -                      | -    | -           | -        | -         | -      | -       | -                    | -            | DC208TT      | W208K3                 |
| -                        | -                       | -                      | -    | -           | -        | -         | -      | -       | -                    | -            | HPC104GPN    | W208KRR8               |
| -                        | -                       | -                      | -    | -           | -        | -         | -      | -       | -                    | W208PP10     | DC208TT10    | W208PP10               |
| -                        | -                       | -                      | -    | -           | -        | -         | -      | -       | -                    | -            | HPC104TPA    | W208PP21               |
| 963889R91                | -                       | -                      | -    | -           | -        | -         | -      | -       | -                    | W208PP5      | DC208TT5     | W208PP5,<br>W208PP20   |
| 963889R91                | 79-50-006               | -                      | -    | 232471      | -        | -         | -      | -       | -                    | -            | DC208TT6     | W209PP6                |
| -                        | -                       | -                      | -    | -           | -        | -         | -      | -       | -                    | W208998      | DC208TT8     | W208PP8                |
| -                        | 37-61-001               | 447899M1               | -    | -           | -        | -         | -      | -       | -                    | W208PPB12    | DS208TT12    | W208PPB12              |
| -                        | 37-61-001               | 447899M1               | -    | NDAS4508FF  | -        | -         | -      | -       | -                    | -            | DS208TT13    | W208PPB13              |
| -                        | -                       | -                      | -    | -           | -        | -         | -      | -       | -                    | -            | HPS104TPN    | W208PPB16              |
| -                        | -                       | -                      | -    | -           | -        | -         | -      | -       | 31-1577800           | -            | DS208TT2A    | W208PPB2               |
| -                        | -                       | 831110M1,<br>832634M2  | -    | -           | -        | -         | -      | -       | -                    | W208PPB23    | DS208TT2A    | W208PPB233             |
| 630210R91                | -                       | 832634M3,<br>843638M1  | -    | NDAS45088J  | -        | -         | -      | -       | -                    | W208PPB5     | DS208TT5     | W208PPB5               |
| -                        | 1/500-07-<br>782-8      | 834367M1,<br>1025130M1 | -    | -           | -        | -         | -      | -       | -                    | W208PPB6     | DS208TT6     | W208PPB6               |
| -                        | 70-50-001               | 834367M1               | -    | -           | -        | -         | -      | -       | 237092B              | W208PPB7     | DS208TT7     | W208PPB7               |
| 1251062C91               | 40-61-001               | 835050M1               | -    | -           | -        | -         | -      | -       | 237092B              | W209PPB2     | DS209TT2     | W209PPB2               |
| -                        | 13-50-037               | 835050N4               | -    | -           | -        | -         | -      | -       | 20H2152              | -            | DS209TT4     | W209PPB4               |
| -                        | -                       | 842303M1               | -    | -           | -        | -         | -      | -       | -                    | W209PPB5     | DS209TT5     | W209PPB5               |
| -                        | -                       | 842303M1               | -    | -           | -        | -         | -      | -       | 408808D              | W210PP2      | DC210TT2     | W210PP2                |
| -                        | -                       | 831960M3               | -    | -           | -        | -         | -      | -       | 408808D              | W2210PPB2    | DS210TT2     | W210PPB2               |
| -                        | -                       | 831960M3               | -    | -           | -        | -         | -      | -       | -                    | -            | DS210TT4     | W210PPB4               |
| -                        | -                       | -                      | -    | -           | -        | -         | -      | -       | -                    | -            | DS210TT6     | W210PPB6               |
| 95253R91                 | -                       | -                      | -    | -           | -        | -         | -      | -       | -                    | -            | DC211TT2     | W211PP2                |
| -                        | -                       | 1905678M1              | -    | -           | -        | -         | -      | -       | -                    | -            | DC211TT3     | W211PP3                |
| -                        | -                       | -                      | -    | 232468      | -        | -         | -      | -       | -                    | -            | DC211TT5     | W211PP5                |
| 6301095R91,<br>958334R91 | -                       | 832540M1               | -    | -           | -        | -         | -      | -       | -                    | W211PPB3     | DS211TT3     | W211PPB3               |
| -                        | -                       | 832540M1               | -    | -           | -        | -         | -      | -       | -                    | -            | DS211TT6     | W211PPB6               |
| 958251R91                | -                       | -                      | -    | -           | -        | -         | -      | -       | -                    | W214PPB9     | -            | W214PPB9               |

**OIL SEALS**

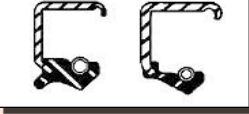
**Spring Loaded General Purpose Design**

**TYPE 41 TYPE 45**



- Types 41, 45, 47, and 48 are the 4 basic spring loaded seals offered by National.
- They are the preferred industrial design and are used extensively in the National Zero Duplication Plus program.

**TYPE 47 TYPE 48**



- 41 & 47 Types are dual lip designs for extra contaminate exclusion.
- 41 & 45 Types with inner case designs are recommended for bore dimensions over 3 1/2"

**TYPE 5**



- Standard single lip design found in automotive and industrial applications.
- Single lip design is used in conjunction with Teflon seal lips.

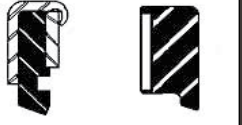
**TYPE 32 TYPE 35**



- Type 32 and 35 are recommended in applications where contact between dissimilar metals must be avoided. \*
- Type 32 and 35 are designs used widely in metric seal applications.

**Springless Seals General Purpose Design**

**TYPE 4S TYPE 24**



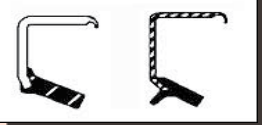
- Type 4S used for grease retention on slow speed applications
- Type 24 used for small machinery, limited space, low sealing friction.

**TYPE 31 TYPE 34**



- Type 31 utilizes metal case to reinforce mold formed bonded sealing member.
- Type 34 offers encased design to avoid contact between dissimilar metals. \*

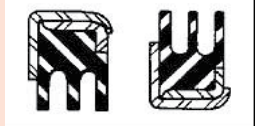
**TYPE 44 TYPE 49**



- Type 44 & 49 series often used in combination with self sealed bearings in auxiliary with spring loaded design.

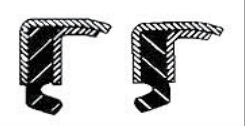
**Variations of Basic Designs**

**TYPE 200**



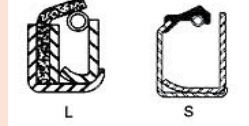
- Special design for slow shaft speeds that require positive
- Designed primarily for disc harrows & other ag equipment.

**TYPE 203 TYPE 204**



- 203 designed for lubricant retention.
- 204 is an exclusive design.

**TYPE 8**



- External lip design.
- Slow speed applications
- Seals at bore periphery.
- Good for stationary shafts where fluid sealed is grease or viscous oil.

**TYPE 25**



- Dual lip.
- Rubber on toe design.
- Auxiliary lip serves to exclude foreign matter.

**TYPE 33**



- Rubber on toe design.
- Expands and seals against bottom shoulder of wheel shaft bore.
- Provides 100% positive bore sealing.

## OIL SEALS

| HSG. BORE                   | SEAL O.D. | SEAL WIDTH | LIP MAT'L | PART NO.    | TYPE |
|-----------------------------|-----------|------------|-----------|-------------|------|
| <b>.250" (1/4") SHAFT</b>   |           |            |           |             |      |
| .499                        | .505      | .187       | S         | SEA 343104  | 34   |
| .750                        | .758      | .250       | S         | SEA 350435  | 35   |
| <b>.312" (5/16") SHAFT</b>  |           |            |           |             |      |
| .500                        | .506      | .125       | S         | SEA 340826  | 34   |
| .625                        | .635      | .175       | S         | SEA 240698  | 24   |
| .750                        | .756      | .250       | S         | SEA 350364  | 35   |
| .999                        | 1.003     | .375       | S         | SEA 470195  | 47   |
| <b>.375" (3/8") SHAFT</b>   |           |            |           |             |      |
| .687                        | .691      | .156       | S         | SEA 311189  | 31   |
| .749                        | .754      | .250       | S         | SEA 340385  | 33   |
| .749                        | .756      | .250       | S         | SEA 340385  | 34   |
| .836                        | .840      | .187       | N         | SEA 474279N | 47   |
| .874                        | .878      | .250       | S         | SEA 473096  | 47   |
| .999                        | 1.003     | .230       | S         | SEA 471103  | 47   |
| <b>.437" (7/16") SHAFT</b>  |           |            |           |             |      |
| .624                        | .630      | .125       | S         | SEA 343101  | 34   |
| .875                        | .880      | .250       | S         | SEA 472810  | 47   |
| .999                        | 1.007     | .250       | S         | SEA 68635   | 35   |
| 1.124                       | 1.128     | .250       | S         | SEA 474277  | 47   |
| <b>.468" (15/32") SHAFT</b> |           |            |           |             |      |
| 1.124                       | 1.126     | .375       | S         | SEA 470004  | 47   |
| <b>.500" (1/2") SHAFT</b>   |           |            |           |             |      |
| .687                        | .693      | .093       | S         | SEA 342805  | 34   |
| .750                        | .756      | .125       | S         | SEA 340847  | 34   |
| .843                        | .847      | .250       | S         | SEA 312196  | 31   |
| .875                        | .879      | .187       | S         | SEA 330699  | 33   |
| .875                        | .881      | .125       | S         | SEA 342613  | 34   |
| .999                        | 1.003     | .250       | S         | SEA 471442  | 47   |
| 1.124                       | 1.128     | .250       | S         | SEA 471526  | 47   |
| 1.250                       | 1.254     | .250       | S         | SEA 471472  | 47   |
| 1.375                       | 1.379     | .250       | S         | SEA 471549  | 47   |
| <b>.531" (17/32") SHAFT</b> |           |            |           |             |      |
| 1.124                       | 1.128     | .312       | S         | SEA 471530  | 47   |
| <b>.562" (9/16") SHAFT</b>  |           |            |           |             |      |
| .875                        | .879      | .187       | S         | SEA 314259  | 31   |
| 1.000                       | 1.004     | .250       | S         | SEA 472705  | 47   |
| 1.124                       | 1.128     | .250       | S         | SEA 471281  | 47   |
| 1.250                       | 1.254     | .250       | S         | SEA 471535  | 47   |
| 1.375                       | 1.379     | .250       | S         | SEA 471551  | 47   |
| <b>.593" (19/32") SHAFT</b> |           |            |           |             |      |
| 1.124                       | 1.128     | .312       | S         | SEA 471532  | 47   |
| 1.250                       | 1.254     | .312       | S         | SEA 473405  | 47   |
| 1.375                       | 1.379     | .312       | S         | SEA 471558  | 47   |

| HSG. BORE                    | SEAL O.D. | SEAL WIDTH | LIP MAT'L | PART NO.    | TYPE |
|------------------------------|-----------|------------|-----------|-------------|------|
| <b>.625" (5/8") SHAFT</b>    |           |            |           |             |      |
| .812                         | .818      | .093       | S         | SEA 340387  | 34   |
| .875                         | .879      | .125       | S         | SEA 253747  | 25   |
| .875                         | .881      | .093       | S         | SEA 340849  | 34   |
| .937                         | .945      | .187       | S         | SEA 7399S   | 24   |
| .999                         | 1.003     | .250       | S         | SEA 7188S   | 33   |
| 1.000                        | 1.004     | .125       | N         | SEA 314267N | 31   |
| 1.124                        | 1.128     | .250       | S         | SEA 471466  | 47   |
| .124                         | 1.135     | .175       | S         | SEA 240009  | 24   |
| 1.250                        | 1.254     | .250       | S         | SEA 471264  | 47   |
| 1.375                        | 1.379     | .250       | S         | SEA 471255  | 47   |
| 1.499                        | 1.503     | .250       | S         | SEA 471564  | 47   |
| 1.575                        | 1.579     | .312       | S         | SEA 471612  | 47   |
| 1.624                        | 1.628     | .312       | S         | SEA 471653  | 47   |
| <b>.656" (11/32") SHAFT</b>  |           |            |           |             |      |
| 1.124                        | 1.128     | .250       | S         | SEA 481528  | 48   |
| 1.250                        | 1.254     | .250       | S         | SEA 481537  | 48   |
| 1.375                        | 1.379     | .250       | S         | SEA 481073  | 48   |
| 1.575                        | 1.579     | .250       | S         | SEA 481397  | 48   |
| <b>.669" (1700 mm) SHAFT</b> |           |            |           |             |      |
| 1.187                        | 1.191     | .185       | S         | SEA 481481  | 48   |
| <b>.687" (11/16") SHAFT</b>  |           |            |           |             |      |
| 1.124                        | 1.128     | .250       | S         | SEA 471529  | 47   |
| 1.187                        | 1.191     | .187       | S         | SEA 474261  | 47   |
| 1.250                        | 1.254     | .250       | S         | SEA 471538  | 47   |
| 1.375                        | 1.379     | .250       | S         | SEA 471553  | 47   |
| 1.499                        | 1.503     | .312       | S         | SEA 471579  | 47   |
| 1.624                        | 1.628     | .250       | S         | SEA 471642  | 47   |
| <b>.690" SHAFT</b>           |           |            |           |             |      |
| .997                         | 1.003     | .295       | S         | SEA 3667    | #    |
| <b>.718" SHAFT</b>           |           |            |           |             |      |
| 1.250                        | 1.254     | .375       | S         | SEA 470506  | 47   |
| <b>.750" (3/4") SHAFT</b>    |           |            |           |             |      |
| 1.000                        | 1.004     | .125       | S         | SEA 312518  | 31   |
| 1.124                        | 1.128     | .187       | S         | SEA 254270  | 25   |
| 1.125                        | 1.131     | .156       | S         | SEA 343185  | 34   |
| 1.250                        | 1.254     | .250       | S         | SEA 470954  | 47   |
| 1.312                        | 1.316     | .250       | S         | SEA 480821  | 48   |
| 1.375                        | 1.379     | .250       | S         | SEA 471554  | 47   |
| 1.499                        | 1.503     | .250       | S         | SEA 471567  | 47   |
| 1.561                        | 1.565     | .375       | S         | SEA 450340  | 45   |
| 1.575                        | 1.579     | .312       | S         | SEA 471498  | 47   |
| 1.624                        | 1.628     | .250       | S         | SEA 471643  | 47   |
| 1.752                        | 1.756     | .250       | S         | SEA 471684  | 47   |
| 1.874                        | 1.878     | .250       | S         | SEA 470390  | 47   |
| 2.047                        | 2.051     | .312       | S         | SEA 472649  | 47   |
| 2.127                        | 2.131     | .250       | S         | SEA 472538  | 47   |



**OIL SEALS**

| HSG. BORE   | SEAL O.D. | SEAL WIDTH | LIP MAT'L | PART NO.   | TYPE |
|---|-----------|------------|-----------|------------|------|
| <b>.781" (<sup>25</sup>/<sub>32</sub>") SHAFT</b> |           |            |           |            |      |
| 1.250   | 1.254     | .250       | S         | SEA 470601 | 47   |
| 1.375   | 1.379     | .250       | S         | SEA 481443 | 48   |
| 1.499   | 1.503     | .250       | S         | SEA 481568 | 48   |
| 1.624   | 1.628     | .250       | S         | SEA 481644 | 48   |
| 1.828   | 1.832     | .250       | S         | SEA 474273 | 47   |
| <b>.812" (<sup>13</sup>/<sub>16</sub>") SHAFT</b> |           |            |           |            |      |
| 1.250   | 1.254     | .250       | S         | SEA 471539 | 47   |
| 1.312   | 1.316     | .250       | S         | SEA 480889 | 48   |
| 1.375   | 1.379     | .312       | S         | SEA 471231 | 47   |
| 1.499   | 1.503     | .250       | S         | SEA 474253 | 47   |
| 1.575   | 1.579     | .375       | S         | SEA 450588 | 45   |
| 1.624   | 1.628     | .250       | S         | SEA 471645 | 47   |
| 2.441   | 2.445     | .375       | S         | SEA 472950 | 47   |
| <b>.843" SHAFT</b>                                |           |            |           |            |      |
| 1.374   | 1.378     | .312       | S         | SEA 472452 | 47   |
| 1.828   | 1.832     | .312       | S         | SEA 473415 | 47   |
| <b>.875" (<sup>7</sup>/<sub>8</sub>") SHAFT</b>   |           |            |           |            |      |
| 1.124   | 1.135     | .125       | S         | SEA 240733 | 24   |
| 1.250   | 1.254     | .250       | S         | SEA 254287 | 25   |
| 1.308   | 1.316     | .250       | S         | SEA 340413 | 34   |
| 1.375   | 1.379     | .187       | S         | SEA 440131 | 44   |
| 1.375   | 1.379     | .250       | S         | SEA 471267 | 47   |
| 1.499   | 1.503     | .250       | S         | SEA 471570 | 47   |
| 1.577   | 1.581     | .250       | S         | SEA 471633 | 47   |
| 1.624   | 1.628     | .250       | S         | SEA 471646 | 47   |
| 1.752   | 1.756     | .250       | S         | SEA 470590 | 47   |
| 1.828   | 1.832     | .375       | S         | SEA 471137 | 47   |
| 1.874   | 1.878     | .250       | S         | SEA 471730 | 47   |
| <b>.906" (<sup>29</sup>/<sub>32</sub>") SHAFT</b> |           |            |           |            |      |
| 1.499   | 1.503     | .390       | S         | SEA 470207 | 47   |
| <b>.937" (<sup>15</sup>/<sub>16</sub>") SHAFT</b> |           |            |           |            |      |
| 1.375   | 1.379     | .312       | S         | SEA 471015 | 47   |
| 1.375   | 1.383     | .250       | S         | SEA 340787 | 34   |
| 1.499   | 1.503     | .250       | S         | SEA 471571 | 47   |
| 1.624   | 1.628     | .250       | S         | SEA 471647 | 47   |
| 1.750   | 1.754     | .250       | S         | SEA 474252 | 47   |
| 1.828   | 1.832     | .437       | S         | SEA 450039 | 45   |
| <b>.968" (<sup>31</sup>/<sub>32</sub>") SHAFT</b> |           |            |           |            |      |
| 1.499   | 1.503     | .312       | S         | SEA 451583 | 45   |
| 1.624   | 1.628     | .250       | S         | SEA 471648 | 47   |
| 1.752   | 1.756     | .250       | S         | SEA 471688 | 47   |
| 1.828   | 1.832     | .437       | S         | SEA 450040 | 45   |
| 1.850   | 1.854     | .375       | S         | SEA 482309 | 48   |
| 1.874   | 1.878     | .437       | S         | SEA 451082 | 45   |
| 2.048   | 2.052     | .375       | S         | SEA 482310 | 48   |
| 2.062   | 2.066     | .437       | S         | SEA 450339 | 45   |
| 2.440   | 2.445     | .375       | S         | SEA 472238 | 47   |

| HSG. BORE   | SEAL O.D. | SEAL WIDTH | LIP MAT'L | PART NO.    | TYPE |
|---|-----------|------------|-----------|-------------|------|
| <b>.984" (25 mm) SHAFT</b>                          |           |            |           |             |      |
| 1.499   | 1.503     | .250       | S         | SEA 472324E | 47   |
| 2.062   | 2.066     | .437       | S         | SEA 450963  | 45   |
| <b>1.000" SHAFT</b>                                 |           |            |           |             |      |
| 1.250   | 1.260     | .125       | S         | SEA 240731  | 24   |
| 1.312   | 1.318     | .125       | S         | SEA 342517  | 34   |
| 1.375   | 1.379     | .187       | S         | SEA 441130  | 44   |
| 1.375   | 1.379     | .250       | S         | SEA 252277  | 25   |
| 1.437   | 1.441     | .250       | S         | SEA 472311  | 47   |
| 1.499   | 1.503     | .250       | S         | SEA 471224  | 47   |
| 1.499   | 1.507     | .250       | S         | SEA 340120  | 34   |
| 1.561   | 1.565     | .250       | S         | SEA 471270  | 47   |
| 1.575   | 1.579     | .250       | S         | SEA 473380  | 47   |
| 1.624   | 1.628     | .250       | S         | SEA 471649  | 47   |
| 1.686   | 1.690     | .250       | S         | SEA 474250  | 47   |
| 1.752   | 1.756     | .250       | S         | SEA 40230S  | 4    |
| 1.752   | 1.756     | .250       | S         | SEA 471689  | 47   |
| 1.780   | 1.785     | .468       | S         | SEA 204005  | 204  |
| 1.828   | 1.832     | .296       | S         | SEA 450593  | 45   |
| 1.874   | 1.878     | .250       | S         | SEA 471733  | 47   |
| 1.983   | 1.987     | .250       | S         | SEA 471744  | 47   |
| 2.000   | 2.004     | .250       | S         | SEA 471760  | 47   |
| 2.047   | 2.051     | .312       | S         | SEA 472138  | 47   |
| 2.062   | 2.066     | .250       | S         | SEA 471619  | 47   |
| 2.441   | 2.445     | .375       | S         | SEA 471516  | 47   |
| 2.533   | 2.537     | .250       | S         | SEA 472539  | 47   |
| <b>1.031" (1 <sup>1</sup>/<sub>32</sub>") SHAFT</b> |           |            |           |             |      |
| 1.575   | 1.579     | .312       | S         | SEA 471076  | 47   |
| <b>1.062" (<sup>1</sup>/<sub>8</sub>") SHAFT</b>    |           |            |           |             |      |
| 1.499   | 1.503     | .312       | S         | SEA 480210  | 48   |
| 1.561   | 1.565     | .375       | S         | SEA 450188  | 45   |
| 1.624   | 1.628     | .250       | S         | SEA 471651  | 47   |
| 1.686   | 1.690     | .375       | S         | SEA 470606  | 47   |
| 1.752   | 1.756     | .312       | S         | SEA 471705  | 47   |
| 1.828   | 1.832     | .375       | S         | SEA 473419  | 47   |
| 1.874   | 1.878     | .250       | S         | SEA 471735  | 47   |
| 1.983   | 1.987     | .437       | S         | SEA 450342  | 45   |
| 2.000   | 2.004     | .250       | S         | SEA 471762  | 47   |
| 2.062   | 2.066     | .375       | S         | SEA 473420  | 47   |
| 2.835   | 2.839     | .375       | S         | SEA 472953  | 47   |
| <b>1.125" (<sup>1</sup>/<sub>8</sub>") SHAFT</b>    |           |            |           |             |      |
| 1.375   | 1.381     | .125       | S         | SEA 340835  | 34   |
| 1.494   | 1.505     | .250       | S         | SEA 340815  | 34   |
| 1.561   | 1.565     | .250       | S         | SEA 472560N | 47   |
| 1.624   | 1.628     | .250       | S         | SEA 471652  | 47   |
| 1.752   | 1.756     | .250       | S         | SEA 471692  | 47   |
| 1.780   | 1.784     | .250       | S         | SEA 204505  | 204  |
| 1.828   | 1.832     | .312       | S         | SEA 476838  | 47   |
| 1.850   | 1.859     | .312       | S         | SEA 350974  | 35   |
| 1.851   | 1.855     | .437       | S         | SEA 453166  | 45   |
| 1.874   | 1.878     | .250       | S         | SEA 470712  | 47   |
| 1.983   | 1.987     | .250       | S         | SEA 471747  | 47   |

## OIL SEALS

| HSG. BORE                                | SEAL O.D. | SEAL WIDTH | LIP MAT'L | PART NO.   | TYPE |
|--|-----------|------------|-----------|------------|------|
| <b>1.125" (1 1/8") SHAFT (CONTINUED)</b> |           |            |           |            |      |
| 2.000                                    | 2.004     | .250       | S         | SEA 471763 | 47   |
| 2.047                                    | 2.051     | .312       | S         | SEA 472644 | 47   |
| 2.062                                    | 2.066     | .250       | S         | SEA 471785 | 47   |
| 2.125                                    | 2.129     | .250       | S         | SEA 481792 | 48   |
| 2.250                                    | 2.254     | .500       | S         | SEA 450604 | 45   |
| 2.437                                    | 2.441     | .468       | S         | SEA 450332 | 45   |
| 2.441                                    | 2.445     | .250       | S         | SEA 473259 | 47   |
| 2.533                                    | 2.537     | .250       | S         | SEA 472535 | 47   |
| 2.835                                    | 2.839     | .375       | S         | SEA 472954 | 47   |
| <b>1.156" (1 5/32") SHAFT</b>            |           |            |           |            |      |
| 1.686                                    | 1.690     | .250       | S         | SEA 474260 | 47   |
| 1.874                                    | 1.878     | .250       | S         | SEA 471736 | 47   |
| 2.000                                    | 2.004     | .250       | S         | SEA 471764 | 47   |
| 2.062                                    | 2.066     | .375       | S         | SEA 473427 | 47   |
| 2.125                                    | 2.129     | .437       | S         | SEA 450362 | 45   |
| 2.834                                    | 2.839     | .375       | S         | SEA 472239 | 47   |
| <b>1.170" SHAFT</b>                      |           |            |           |            |      |
| 2.031                                    | 2.035     | .375       | S         | SEA 451182 | 45   |
| <b>1.187" (1 3/16") SHAFT</b>            |           |            |           |            |      |
| 1.687                                    | 1.691     | .250       | S         | SEA 481213 | 48   |
| 1.752                                    | 1.756     | .250       | S         | SEA 473203 | 47   |
| 1.828                                    | 1.832     | .375       | S         | SEA 473425 | 47   |
| 1.874                                    | 1.878     | .250       | S         | SEA 472475 | 47   |
| 1.983                                    | 1.987     | .375       | S         | SEA 473426 | 47   |
| 2.000                                    | 2.004     | .250       | S         | SEA 471765 | 47   |
| 2.062                                    | 2.066     | .250       | S         | SEA 471354 | 47   |
| 2.125                                    | 2.129     | .250       | S         | SEA 473205 | 47   |
| 2.165                                    | 2.169     | .250       | S         | SEA 472350 | 47   |
| 2.250                                    | 2.254     | .250       | S         | SEA 474255 | 47   |
| 2.437                                    | 2.441     | .250       | S         | SEA 474254 | 47   |
| 2.441                                    | 2.445     | .250       | S         | SEA 474256 | 47   |
| 2.686                                    | 2.690     | .500       | S         | SEA 470946 | 47   |
| <b>1.218" SHAFT</b>                      |           |            |           |            |      |
| 1.979                                    | 1.983     | .406       | S         | SEA 203025 | 203  |
| 1.983                                    | 1.987     | .437       | S         | SEA 450048 | 45   |
| 2.000                                    | 2.004     | .437       | S         | SEA 450173 | 45   |
| <b>1.250" (1 1/4") SHAFT</b>             |           |            |           |            |      |
| 1.499                                    | 1.505     | .125       | S         | SEA 343186 | 34   |
| 1.625                                    | 1.629     | .250       | S         | SEA 251511 | 25   |
| 1.686                                    | 1.690     | .250       | S         | SEA 474278 | 47   |
| 1.686                                    | 1.697     | .187       | S         | SEA 240356 | 24   |
| 1.750                                    | 1.754     | .250       | S         | SEA 74125  | 28   |
| 1.752                                    | 1.756     | .250       | S         | SEA 401405 | 4    |
| 1.752                                    | 1.756     | .250       | S         | SEA 471413 | 47   |
| 1.874                                    | 1.878     | .250       | S         | SEA 471737 | 47   |
| 1.979                                    | 1.983     | .250       | S         | SEA 204507 | 204  |
| 1.979                                    | 1.983     | .406       | S         | SEA 203029 | 203  |
| 1.983                                    | 1.987     | .250       | S         | SEA 77815  | 203  |
| 1.983                                    | 1.987     | .250       | S         | SEA 471750 | 47   |
| 2.000                                    | 2.004     | .250       | S         | SEA 471766 | 47   |

| HSG. BORE                                | SEAL O.D. | SEAL WIDTH | LIP MAT'L | PART NO.    | TYPE |
|--|-----------|------------|-----------|-------------|------|
| <b>1.250" (1 1/4") SHAFT (CONTINUED)</b> |           |            |           |             |      |
| 2.000                                    | 2.004     | .290       | S         | SEA 200338  | 200  |
| 2.047                                    | 2.051     | .375       | S         | SEA 473551  | 47   |
| 2.062                                    | 2.066     | .250       | S         | SEA 471787  | 47   |
| 2.125                                    | 2.129     | .250       | S         | SEA 471795  | 47   |
| 2.252                                    | 2.2556    | .375       | S         | SEA 471801  | 47   |
| 2.374                                    | 2.378     | .375       | S         | SEA 471808  | 47   |
| 2.437                                    | 2.441     | .375       | S         | SEA 471818  | 47   |
| 2.441                                    | 2.445     | .375       | S         | SEA 471407  | 47   |
| 2.502                                    | 2.506     | .375       | S         | SEA 471833  | 47   |
| 2.561                                    | 2.5656    | .500       | S         | SEA 451845  | 45   |
| 2.713                                    | 2.717     | .468       | S         | SEA 450341  | 45   |
| 2.835                                    | 2.839     | .468       | S         | SEA 470806  | 47   |
| 2.877                                    | 2.881     | .250       | S         | SEA 472536  | 47   |
| 3.155                                    | 3.160     | .500       | S         | SEA 453279  | 45   |
| <b>1.281" (1 9/32") SHAFT</b>            |           |            |           |             |      |
| 2.000                                    | 2.004     | .375       | S         | SEA 473424  | 47   |
| <b>1.301" SHAFT</b>                      |           |            |           |             |      |
| 2.000                                    | 2.004     | .437       | S         | SEA 471193  | 47   |
| <b>1.312" (1 5/16") SHAFT</b>            |           |            |           |             |      |
| 1.874                                    | 1.878     | .375       | S         | SEA 473423  | 47   |
| 2.000                                    | 2.004     | .312       | S         | SEA 473210  | 47   |
| 2.062                                    | 2.066     | .312       | S         | SEA 472826  | 47   |
| 2.106                                    | 2.110     | .375       | S         | SEA 473421  | 47   |
| 2.125                                    | 2.129     | .312       | S         | SEA 473211  | 47   |
| 2.250                                    | 2.254     | .312       | S         | SEA 473212  | 47   |
| 2.374                                    | 2.378     | .312       | S         | SEA 473213  | 47   |
| 2.835                                    | 2.839     | .468       | S         | SEA 471904  | 47   |
| <b>1.322" SHAFT</b>                      |           |            |           |             |      |
| 2.227                                    | 2.231     | .375       | S         | SEA 484058  | 48   |
| <b>1.326" SHAFT</b>                      |           |            |           |             |      |
| 2.061                                    | 2.065     | .375       | S         | SEA 484054  | 48   |
| <b>1.375" (1 3/8") SHAFT</b>             |           |            |           |             |      |
| 1.750                                    | 1.756     | .187       | S         | SEA 340853  | 34   |
| 1.828                                    | 1.834     | .250       | S         | SEA 323138  | 32   |
| 1.874                                    | 1.878     | .250       | S         | SEA 403955  | 45   |
| 1.874                                    | 1.878     | .250       | S         | SEA 472354  | 47   |
| 1.983                                    | 1.987     | .312       | N         | SEA 482163N | 48   |
| 2.000                                    | 2.004     | .250       | S         | SEA 405225  | 4    |
| 2.000                                    | 2.004     | .312       | S         | SEA 472258  | 47   |
| 2.062                                    | 2.066     | .375       | S         | SEA 470774  | 47   |
| 2.106                                    | 2.110     | .312       | S         | SEA 472287  | 47   |
| 2.125                                    | 2.129     | .312       | S         | SEA 471192  | 47   |
| 2.250                                    | 2.254     | .312       | S         | SEA 473214  | 47   |
| 2.374                                    | 2.378     | .312       | S         | SEA 473215  | 47   |
| 2.437                                    | 2.441     | .250       | S         | SEA 62415   | 48   |
| 2.441                                    | 2.445     | .375       | S         | SEA 471276  | 47   |
| 2.502                                    | 2.506     | .375       | S         | SEA 471835  | 47   |
| 2.561                                    | 2.565     | .375       | S         | SEA 473258  | 47   |

**OIL SEALS**

| HSG. BORE                                | SEAL O.D. | SEAL WIDTH | LIP MAT'L | PART NO.    | TYPE |
|--|-----------|------------|-----------|-------------|------|
| <b>1.375" (1 3/8") SHAFT (CONTINUED)</b> |           |            |           |             |      |
| 2.623                                    | 2.627     | .375       | S         | SEA 472843  | 47   |
| 2.686                                    | 2.690     | .500       | S         | SEA 450776  | 45   |
| 2.716                                    | 2.720     | .468       | S         | SEA 450456  | 45   |
| 2.835                                    | 2.839     | .312       | S         | SEA 473197  | 47   |
| 2.875                                    | 2.879     | .468       | S         | SEA 471105  | 47   |
| 3.150                                    | 3.154     | .375       | S         | SEA 471379  | 47   |
| 3.350                                    | 3.355     | .468       | S         | SEA 450492  | 45   |
| <b>1.399" SHAFT</b>                      |           |            |           |             |      |
| 2.292                                    | 2.296     | .460       | S         | SEA 8660S   | 48   |
| <b>1.437" (1 7/16") SHAFT</b>            |           |            |           |             |      |
| 2.061                                    | 2.066     | .312       | S         | SEA 3395    | 47   |
| 2.125                                    | 2.129     | .312       | S         | SEA 473224  | 47   |
| 2.250                                    | 2.254     | .312       | S         | SEA 473016  | 47   |
| 2.312                                    | 2.316     | .375       | S         | SEA 472655  | 47   |
| 2.374                                    | 2.378     | .312       | S         | SEA 473225  | 47   |
| 2.437                                    | 2.441     | .312       | S         | SEA 474264  | 47   |
| 2.502                                    | 2.506     | .312       | S         | SEA 473226  | 47   |
| 2.686                                    | 2.690     | .375       | S         | SEA 471862  | 47   |
| 3.000                                    | 3.005     | .500       | S         | SEA 471405  | 47   |
| <b>1.468" (1 15/32") SHAFT</b>           |           |            |           |             |      |
| 2.375                                    | 2.378     | .375       | S         | SEA 473438  | 47   |
| 2.437                                    | 2.441     | .375       | S         | SEA 473439  | 47   |
| <b>1.500" (1 1/2") SHAFT</b>             |           |            |           |             |      |
| 1.874                                    | 1.878     | .250       | S         | SEA 473099  | 47   |
| 1.874                                    | 1.880     | .250       | S         | SEA 343099  | 34   |
| 1.983                                    | 1.987     | .187       | S         | SEA 443018  | 44   |
| 1.983                                    | 1.987     | .250       | S         | SEA 474276  | 47   |
| 1.989                                    | 1.993     | .285       | S         | SEA 3677    | #    |
| 2.000                                    | 2.004     | .312       | S         | SEA 481163  | 48   |
| 2.000                                    | 2.010     | .187       | S         | SEA 240319  | 24   |
| 2.048                                    | 2.052     | .375       | S         | SEA 472466  | 47   |
| 2.062                                    | 2.066     | .250       | S         | SEA 480630  | 48   |
| 2.125                                    | 2.129     | .312       | S         | SEA 473227  | 47   |
| 2.222                                    | 2.226     | .312       | S         | SEA 480844  | 48   |
| 2.250                                    | 2.254     | .312       | S         | SEA 470625  | 47   |
| 2.250                                    | 2.258     | .250       | S         | SEA 340136  | 34   |
| 2.254                                    | 2.258     | .312       | S         | SEA 453065  | 45   |
| 2.327                                    | 2.332     | .406       | S         | SEA 203013  | 203  |
| 2.327                                    | 2.332     | .406       | S         | SEA 204013  | 204  |
| 2.374                                    | 2.378     | .250       | S         | SEA 40059S  | 4    |
| 2.375                                    | 2.378     | .312       | S         | SEA 470380  | 47   |
| 2.377                                    | 2.381     | .470       | S         | SEA 9613S   | #    |
| 2.437                                    | 2.441     | .250       | S         | SEA 40063S  | 4    |
| 2.437                                    | 2.441     | .375       | S         | SEA 471820  | 47   |
| 2.441                                    | 2.445     | .375       | S         | SEA 471344  | 47   |
| 2.502                                    | 2.506     | .312       | S         | SEA 473228  | 47   |
| 2.561                                    | 2.565     | .500       | S         | SEA 410190  | 41   |
| 2.623                                    | 2.627     | .250       | S         | SEA 41461S  | 4    |
| 2.623                                    | 2.627     | .500       | S         | SEA 451857  | 45   |
| 2.686                                    | 2.690     | .500       | N         | SEA 470487N | 47   |
| 2.716                                    | 2.720     | .468       | S         | SEA 450984  | 45   |

| HSG. BORE                                | SEAL O.D. | SEAL WIDTH | LIP MAT'L | PART NO.   | TYPE |
|--|-----------|------------|-----------|------------|------|
| <b>1.500" (1 1/2") SHAFT (CONTINUED)</b> |           |            |           |            |      |
| 2.750                                    | 2.754     | .312       | S         | SEA 473440 | 47   |
| 2.758                                    | 2.762     | .312       | S         | SEA 474281 | 47   |
| 2.875                                    | 2.879     | .468       | S         | SEA 450523 | 45   |
| 2.996                                    | 3.001     | .500       | S         | SEA 450326 | 45   |
| 3.000                                    | 3.005     | .375       | S         | SEA 471958 | 47   |
| 3.150                                    | 3.155     | .500       | S         | SEA 472446 | 47   |
| <b>1.531" (1 17/32") SHAFT</b>           |           |            |           |            |      |
| 2.374                                    | 2.378     | .375       | S         | SEA 452222 | 45   |
| <b>1.562" (1 9/16") SHAFT</b>            |           |            |           |            |      |
| 2.062                                    | 2.066     | .250       | S         | SEA 8421S  | 33   |
| <b>1.562" (1 9/16") SHAFT</b>            |           |            |           |            |      |
| 2.125                                    | 2.129     | .375       | S         | SEA 473517 | 47   |
| 2.250                                    | 2.254     | .312       | S         | SEA 472213 | 47   |
| 2.374                                    | 2.378     | .312       | S         | SEA 472299 | 47   |
| 2.437                                    | 2.441     | .375       | S         | SEA 471821 | 47   |
| 2.441                                    | 2.445     | .375       | S         | SEA 471827 | 47   |
| 2.502                                    | 2.506     | .312       | S         | SEA 473229 | 47   |
| 2.561                                    | 2.565     | .500       | S         | SEA 450143 | 45   |
| 2.623                                    | 2.627     | .312       | S         | SEA 470682 | 47   |
| 2.686                                    | 2.690     | .375       | S         | SEA 471316 | 47   |
| 2.750                                    | 2.754     | .375       | S         | SEA 473441 | 47   |
| 2.758                                    | 2.762     | .500       | S         | SEA 450273 | 45   |
| 2.875                                    | 2.879     | .375       | S         | SEA 473442 | 47   |
| 3.150                                    | 3.155     | .312       | S         | SEA 473490 | 47   |
| <b>1.578" SHAFT</b>                      |           |            |           |            |      |
| 2.408                                    | 2.412     | .500       | S         | SEA 450666 | 45   |
| <b>1.593" (1 19/32") SHAFT</b>           |           |            |           |            |      |
| 2.125                                    | 2.129     | .250       | S         | SEA 481384 | 48   |
| 2.437                                    | 2.441     | .468       | S         | SEA 450065 | 45   |
| 2.502                                    | 2.506     | .250       | S         | SEA 482253 | 48   |
| <b>1.618" SHAFT</b>                      |           |            |           |            |      |
| 2.575                                    | 2.579     | .500       | S         | SEA 8835S  | 33   |
| <b>1.625" (1 5/8") SHAFT</b>             |           |            |           |            |      |
| 2.000                                    | 2.004     | .250       | S         | SEA 473694 | 47   |
| 2.116                                    | 2.120     | .312       | S         | SEA 472419 | 47   |
| 2.125                                    | 2.129     | .250       | S         | SEA 481181 | 48   |
| 2.250                                    | 2.254     | .312       | S         | SEA 473230 | 47   |
| 2.327                                    | 2.332     | .406       | S         | SEA 204017 | 204  |
| 2.374                                    | 2.378     | .312       | S         | SEA 473231 | 47   |
| 2.437                                    | 2.441     | .312       | S         | SEA 473367 | 47   |
| 2.441                                    | 2.445     | .375       | S         | SEA 471829 | 47   |
| 2.502                                    | 2.506     | .312       | S         | SEA 473010 | 47   |
| 2.562                                    | 2.566     | .250       | S         | SEA 204500 | 204  |
| 2.562                                    | 2.566     | .437       | S         | SEA 4763S  | #    |
| 2.623                                    | 2.627     | .312       | S         | SEA 473232 | 47   |
| 2.625                                    | 2.629     | .250       | S         | SEA 40568S | 4    |
| 2.686                                    | 2.690     | .375       | S         | SEA 481864 | 48   |
| 2.750                                    | 2.754     | .312       | S         | SEA 474274 | 47   |
| 2.835                                    | 2.839     | .468       | S         | SEA 450819 | 45   |
| 2.875                                    | 2.879     | .375       | S         | SEA 473444 | 47   |
| 3.000                                    | 3.004     | .312       | S         | SEA 414268 | 41   |

## OIL SEALS

| HSG. BORE                      | SEAL O.D. | SEAL WIDTH | LIP MAT'L | PART NO.   | TYPE |
|--------------------------------|-----------|------------|-----------|------------|------|
| <b>1.656" (1 21/32") SHAFT</b> |           |            |           |            |      |
| 2.937                          | 2.941     | .375       | S         | SEA 472660 | 47   |
| <b>1.687" (1 11/16") SHAFT</b> |           |            |           |            |      |
| 2.328                          | 2.332     | .312       | S         | SEA 473317 | 47   |
| 2.374                          | 2.378     | .312       | S         | SEA 473233 | 47   |
| 2.437                          | 2.441     | .312       | S         | SEA 473445 | 47   |
| 2.502                          | 2.506     | .312       | S         | SEA 473234 | 47   |
| 2.561                          | 2.565     | .500       | S         | SEA 470460 | 47   |
| 2.623                          | 2.627     | .312       | S         | SEA 473235 | 47   |
| 2.650                          | 2.650     | .290       | S         | SEA 200886 | 200  |
| 2.686                          | 2.690     | .312       | S         | SEA 474265 | 47   |
| 2.716                          | 2.720     | .468       | S         | SEA 450765 | 45   |
| 2.750                          | 2.754     | .312       | S         | SEA 473236 | 47   |
| 2.835                          | 2.839     | .468       | S         | SEA 470596 | 47   |
| 2.875                          | 2.879     | .375       | S         | SEA 473446 | 47   |
| 3.300                          | 3.005     | .375       | S         | SEA 471981 | 47   |
| 3.125                          | 3.130     | .500       | S         | SEA 470687 | 47   |
| <b>1.718" (1 23/32") SHAFT</b> |           |            |           |            |      |
| 2.561                          | 2.565     | .500       | S         | SEA 442251 | 44   |
| 2.623                          | 2.627     | .500       | S         | SEA 450068 | 45   |
| <b>1.750" (1 3/4") SHAFT</b>   |           |            |           |            |      |
| 2.250                          | 2.254     | .359       | S         | SEA 450400 | 45   |
| 2.250                          | 2.258     | .187       | S         | SEA 6703S  | 35   |
| 2.250                          | 2.258     | .250       | S         | SEA 340400 | 34   |
| 2.374                          | 2.378     | .250       | S         | SEA 204503 | 204  |
| 2.374                          | 2.378     | .312       | S         | SEA 473237 | 47   |
| 2.437                          | 2.441     | .312       | S         | SEA 471504 | 47   |
| 2.441                          | 2.445     | .375       | S         | SEA 471831 | 47   |
| 2.449                          | 2.453     | .312       | S         | SEA 473157 | 47   |
| 2.502                          | 2.506     | .250       | S         | SEA 40494S | 4    |
| 2.502                          | 2.506     | .312       | S         | SEA 472164 | 47   |
| 2.561                          | 2.565     | .250       | S         | SEA 204502 | 204  |
| 2.561                          | 2.566     | .312       | S         | SEA 472193 | 47   |
| 2.565                          | 2.569     | .312       | S         | SEA 473796 | 47   |
| 2.623                          | 2.627     | .312       | S         | SEA 472185 | 47   |
| 2.686                          | 2.690     | .375       | S         | SEA 470334 | 47   |
| 2.716                          | 2.721     | .359       | S         | SEA 204038 | 204  |
| 2.718                          | 2.722     | .359       | S         | SEA 200354 | #    |
| 2.750                          | 2.754     | .312       | S         | SEA 472179 | 47   |
| 2.758                          | 2.762     | .375       | S         | SEA 473447 | 47   |
| 2.875                          | 2.879     | .375       | S         | SEA 471141 | 47   |
| 2.996                          | 3.001     | .375       | S         | SEA 473448 | 47   |
| 3.000                          | 3.004     | .250       | S         | SEA 204501 | 204  |
| 3.000                          | 3.005     | .375       | S         | SEA 471984 | 47   |
| 3.061                          | 3.066     | .375       | S         | SEA 473313 | 47   |
| 3.189                          | 3.194     | .437       | S         | SEA 470088 | 47   |
| 3.543                          | 3.548     | .500       | S         | SEA 455536 | 45   |
| <b>1.781" (1 25/32") SHAFT</b> |           |            |           |            |      |
| 2.502                          | 2.506     | .312       | S         | SEA 452742 | 45   |

| HSG. BORE                      | SEAL O.D. | SEAL WIDTH | LIP MAT'L | PART NO.   | TYPE |
|--------------------------------|-----------|------------|-----------|------------|------|
| <b>1.812" (1 13/16") SHAFT</b> |           |            |           |            |      |
| 2.437                          | 2.441     | .468       | S         | SEA 451817 | 45   |
| 2.623                          | 2.627     | .375       | S         | SEA 472070 | 47   |
| 2.686                          | 2.690     | .375       | S         | SEA 471866 | 47   |
| 2.750                          | 2.754     | .375       | S         | SEA 473449 | 47   |
| 2.875                          | 2.879     | .375       | S         | SEA 473450 | 47   |
| 3.189                          | 3.194     | .437       | S         | SEA 450090 | 45   |
| <b>1.843" (1 27/32") SHAFT</b> |           |            |           |            |      |
| 2.750                          | 2.754     | .375       | S         | SEA 473452 | 47   |
| <b>1.875" (1 7/8") SHAFT</b>   |           |            |           |            |      |
| 2.397                          | 2.403     | .250       | S         | SEA 353120 | 35   |
| 2.470                          | 2.475     | .437       | S         | SEA 472747 | 47   |
| 2.502                          | 2.506     | .312       | S         | SEA 473454 | 47   |
| 2.502                          | 2.511     | .250       | S         | SEA 340823 | 34   |
| 2.561                          | 2.571     | .312       | S         | SEA 350936 | 35   |
| 2.623                          | 2.627     | .312       | S         | SEA 472439 | 47   |
| 2.686                          | 2.690     | .375       | S         | SEA 471868 | 47   |
| 2.750                          | 2.754     | .250       | S         | SEA 42421S | 4    |
| 2.750                          | 2.754     | .312       | S         | SEA 472572 | 47   |
| 2.758                          | 2.762     | .375       | S         | SEA 473179 | 47   |
| 2.782                          | 2.786     | .500       | S         | SEA 414045 | 41   |
| 2.835                          | 2.839     | .375       | S         | SEA 473455 | 47   |
| 2.875                          | 2.879     | .312       | S         | SEA 473238 | 47   |
| 2.996                          | 3.001     | .500       | S         | SEA 450084 | 45   |
| 3.000                          | 3.005     | .312       | S         | SEA 473239 | 47   |
| 3.061                          | 3.066     | .375       | S         | SEA 473457 | 47   |
| 3.125                          | 3.130     | .312       | S         | SEA 473240 | 47   |
| 3.189                          | 3.194     | .375       | S         | SEA 473458 | 47   |
| 3.251                          | 3.256     | .500       | S         | SEA 451078 | 45   |
| 3.371                          | 3.376     | .468       | S         | SEA 410524 | 41   |
| <b>1.937" (1 15/16") SHAFT</b> |           |            |           |            |      |
| 2.412                          | 2.416     | .468       | S         | SEA 470409 | 47   |
| 2.437                          | 2.441     | .250       | S         | SEA 474269 | 47   |
| 2.502                          | 2.506     | .375       | S         | SEA 471195 | 47   |
| 2.561                          | 2.565     | .500       | S         | SEA 471854 | 47   |
| 2.623                          | 2.627     | .312       | S         | SEA 472319 | 47   |
| 2.686                          | 2.690     | .312       | S         | SEA 473459 | 47   |
| 2.750                          | 2.754     | .312       | S         | SEA 473241 | 47   |
| 2.758                          | 2.762     | .500       | S         | SEA 450279 | 45   |
| 2.875                          | 2.879     | .312       | S         | SEA 472144 | 47   |
| 2.996                          | 3.001     | .375       | S         | SEA 473460 | 47   |
| 3.000                          | 3.005     | .312       | S         | SEA 472394 | 47   |
| 3.061                          | 3.066     | .375       | S         | SEA 473461 | 47   |
| 3.125                          | 3.130     | .375       | S         | SEA 471391 | 47   |
| 3.189                          | 3.194     | .375       | S         | SEA 473462 | 47   |
| 3.548                          | 3.548     | .375       | S         | SEA 417471 | 41   |
| <b>1.940" SHAFT</b>            |           |            |           |            |      |
| 2.502                          | 2.505     | .250       | S         | SEA 6815   | #    |
| 2.622                          | 2.626     | .580       | S         | SEA 5121   | #    |

**OIL SEALS**

| HSG. BORE                              | SEAL O.D. | SEAL WIDTH | LIP MAT'L | PART NO.    | TYPE |
|--|-----------|------------|-----------|-------------|------|
| <b>1.968" (1 31/32") (50 mm) SHAFT</b> |           |            |           |             |      |
| 2.686                                  | 2.690     | .500       | S         | SEA 450472  | 45   |
| 2.742                                  | 2.746     | .500       | N         | SEA 450911N | 45   |
| 2.875                                  | 2.879     | .468       | S         | SEA 450474  | 45   |
| <b>2.000" SHAFT</b>                    |           |            |           |             |      |
| 2.502                                  | 2.508     | .250       | S         | SEA 352541  | 35   |
| 2.562                                  | 2.566     | .220       | S         | SEA 8871    | #    |
| 2.623                                  | 2.627     | .260       | S         | SEA 4148    | #    |
| 2.623                                  | 2.627     | .312       | S         | SEA 471424  | 47   |
| 2.686                                  | 2.690     | .375       | S         | SEA 471870  | 47   |
| 2.713                                  | 2.717     | .468       | S         | SEA 450446  | 45   |
| 2.716                                  | 2.720     | .375       | S         | SEA 474272  | 47   |
| 2.746                                  | 2.750     | .375       | H         | SEA 331107N | 33   |
| 2.750                                  | 2.754     | .312       | S         | SEA 472492  | 47   |
| 2.835                                  | 2.839     | .375       | S         | SEA 472653  | 47   |
| 2.875                                  | 2.879     | .312       | S         | SEA 472924  | 47   |
| 2.880                                  | 2.884     | .375       | S         | SEA 472082  | 47   |
| 2.996                                  | 3.001     | .375       | S         | SEA 470530  | 47   |
| 3.000                                  | 3.005     | .312       | S         | SEA 472397  | 47   |
| 3.062                                  | 3.066     | .250       | S         | SEA 204508  | 204  |
| 3.062                                  | 3.066     | .375       | S         | SEA 473463  | 47   |
| 3.125                                  | 3.130     | .312       | S         | SEA 473242  | 47   |
| 3.150                                  | 3.155     | .375       | S         | SEA 421725  | 41   |
| 3.189                                  | 3.194     | .375       | S         | SEA 473464  | 47   |
| 3.251                                  | 3.256     | .437       | S         | SEA 412027  | 41   |
| 3.350                                  | 3.355     | .468       | S         | SEA 412028  | 41   |
| 3.370                                  | 3.376     | .468       | S         | SEA 410102  | 41   |
| 3.500                                  | 3.505     | .500       | S         | SEA 415627  | 41   |
| 3.543                                  | 3.548     | .500       | S         | SEA 455253  | 45   |
| 3.623                                  | 3.627     | .250       | S         | SEA 204506  | 204  |
| <b>2.062" (2 1/16") SHAFT</b>          |           |            |           |             |      |
| 2.875                                  | 2.879     | .437       | S         | SEA 451948  | 45   |
| 2.996                                  | 3.001     | .375       | S         | SEA 473466  | 47   |
| 3.000                                  | 3.005     | .375       | S         | SEA 472012  | 47   |
| 3.061                                  | 3.066     | .500       | S         | SEA 450307  | 45   |
| 3.190                                  | 3.194     | .437       | S         | SEA 416738  | 41   |
| 3.623                                  | 3.628     | .468       | S         | SEA 455260  | 45   |
| <b>2.125" (2 1/8") SHAFT</b>           |           |            |           |             |      |
| 2.750                                  | 2.754     | .375       | S         | SEA 473204  | 47   |
| 2.758                                  | 2.762     | .437       | S         | SEA 471950  | 47   |
| 2.835                                  | 2.839     | .468       | S         | SEA 450639  | 45   |
| 2.875                                  | 2.879     | .250       | S         | SEA 40566S  | 4    |
| 2.875                                  | 2.879     | .375       | H         | SEA 6879H   | 33   |
| 2.875                                  | 2.879     | .375       | S         | SEA 470898  | 47   |
| 2.996                                  | 3.001     | .375       | S         | SEA 473467  | 47   |
| 3.000                                  | 3.005     | .312       | S         | SEA 8430S   | #    |
| 3.000                                  | 3.005     | .375       | S         | SEA 472015  | 47   |
| 3.061                                  | 3.066     | .500       | S         | SEA 410308  | 41   |
| 3.125                                  | 3.130     | .375       | S         | SEA 472016  | 47   |
| 3.189                                  | 3.194     | .375       | S         | SEA 472409  | 47   |
| 3.251                                  | 3.256     | .375       | S         | SEA 473243  | 47   |
| 3.350                                  | 3.355     | .375       | S         | SEA 413469  | 41   |
| 3.371                                  | 3.376     | .375       | S         | SEA 413470  | 41   |

| HSG. BORE                     | SEAL O.D. | SEAL WIDTH | LIP MAT'L | PART NO.   | TYPE |
|-------------------------------|-----------|------------|-----------|------------|------|
| <b>2.125" (2 1/8") SHAFT</b>  |           |            |           |            |      |
| 3.500                         | 3.505     | .375       | S         | SEA 416267 | 41   |
| 3.543                         | 3.548     | .500       | S         | SEA 415349 | 41   |
| 3.623                         | 3.628     | .468       | S         | SEA 455080 | 45   |
| <b>2.156" (2 5/32") SHAFT</b> |           |            |           |            |      |
| 3.189                         | 3.194     | .437       | S         | SEA 450621 | 45   |
| <b>2.180" SHAFT</b>           |           |            |           |            |      |
| 2.835                         | 2.839     | .468       | S         | SEA 471952 | 47   |
| 2.875                         | 2.879     | .375       | S         | SEA 473244 | 47   |
| 2.996                         | 3.001     | .375       | S         | SEA 472234 | 47   |
| 3.000                         | 3.005     | .375       | S         | SEA 472018 | 47   |
| 3.062                         | 3.066     | .375       | S         | SEA 473471 | 47   |
| 3.189                         | 3.194     | .437       | S         | SEA 470354 | 47   |
| 3.251                         | 3.256     | .375       | S         | SEA 473245 | 47   |
| 3.350                         | 3.355     | .375       | S         | SEA 412943 | 41   |
| 3.371                         | 3.376     | .375       | S         | SEA 413472 | 41   |
| 3.500                         | 3.505     | .375       | S         | SEA 416268 | 41   |
| 3.623                         | 3.628     | .468       | S         | SEA 415350 | 41   |
| <b>2.250" (2 1/4") SHAFT</b>  |           |            |           |            |      |
| 2.875                         | 2.879     | .250       | S         | SEA 43034S | 4    |
| 2.996                         | 3.001     | .437       | S         | SEA 471341 | 47   |
| 3.000                         | 3.005     | .250       | S         | SEA 40520S | 4    |
| 3.000                         | 3.005     | .375       | S         | SEA 471272 | 47   |
| 3.061                         | 3.066     | .375       | S         | SEA 473473 | 47   |
| 3.125                         | 3.130     | .375       | S         | SEA 471138 | 47   |
| 3.189                         | 3.194     | .437       | S         | SEA 410737 | 41   |
| 3.251                         | 3.256     | .375       | S         | SEA 472636 | 47   |
| 3.350                         | 3.355     | .375       | S         | SEA 411253 | 41   |
| 3.371                         | 3.376     | .375       | S         | SEA 412920 | 41   |
| 3.371                         | 3.376     | .375       | S         | SEA 442109 | 44   |
| 3.443                         | 3.447     | .250       | S         | SEA 41075S | 4    |
| 3.500                         | 3.505     | .375       | S         | SEA 411376 | 41   |
| 3.543                         | 3.548     | .500       | S         | SEA 416270 | 41   |
| 3.623                         | 3.628     | .468       | S         | SEA 415234 | 41   |
| 3.751                         | 3.756     | .500       | S         | SEA 415259 | 41   |
| 4.003                         | 4.008     | .468       | S         | SEA 415254 | 41   |
| <b>2.296" SHAFT</b>           |           |            |           |            |      |
| 3.148                         | 3.153     | .359       | S         | SEA 204035 | 204  |
| <b>2.312" (2 5/16") SHAFT</b> |           |            |           |            |      |
| 3.125                         | 3.130     | .375       | S         | SEA 472150 | 47   |
| 3.251                         | 3.256     | .375       | S         | SEA 411394 | 41   |
| 3.350                         | 3.355     | .375       | S         | SEA 410694 | 41   |
| 3.371                         | 3.376     | .468       | S         | SEA 450133 | 45   |
| 3.500                         | 3.505     | .375       | S         | SEA 416444 | 41   |
| <b>2.330" SHAFT</b>           |           |            |           |            |      |
| 2.997                         | 3.001     | .312       | S         | SEA 493637 | 49   |

## OIL SEALS

| HSG. BORE                     | SEAL O.D. | SEAL WIDTH | LIP MAT'L | PART NO.    | TYPE |
|-------------------------------|-----------|------------|-----------|-------------|------|
| <b>2.375" (2 3/8") SHAFT</b>  |           |            |           |             |      |
| 2.996                         | 3.000     | .500       | S         | SEA 470764  | 47   |
| 3.000                         | 3.005     | .375       | S         | SEA 473573  | 47   |
| 3.061                         | 3.066     | .375       | S         | SEA 473474  | 47   |
| 3.125                         | 3.130     | .375       | S         | SEA 470565  | 47   |
| 3.189                         | 3.194     | .375       | S         | SEA 473475  | 47   |
| 3.251                         | 3.255     | .375       | N         | SEA 413246N | 41   |
| 3.350                         | 3.355     | .250       | S         | SEA 442507  | 44   |
| 3.350                         | 3.355     | .375       | S         | SEA 412119  | 41   |
| 3.371                         | 3.376     | .375       | S         | SEA 413247  | 41   |
| 3.481                         | 3.486     | .437       | S         | SEA 410987  | 41   |
| 3.500                         | 3.505     | .375       | S         | SEA 416271  | 41   |
| 3.543                         | 3.548     | .375       | S         | SEA 412861  | 41   |
| 3.601                         | 6.605     | .437       | S         | SEA 415857  | 41   |
| 3.623                         | 3.628     | .375       | S         | SEA 410825  | 41   |
| 3.751                         | 3.756     | .500       | S         | SEA 416071  | 41   |
| 3.876                         | 3.881     | .375       | S         | SEA 417480  | 41   |
| <b>2.437" (2 7/16") SHAFT</b> |           |            |           |             |      |
| 3.125                         | 3.130     | .375       | S         | SEA 471887  | 47   |
| 3.251                         | 3.256     | .437       | S         | SEA 412040  | 41   |
| 3.350                         | 3.355     | .375       | S         | SEA 411500  | 41   |
| 3.371                         | 3.376     | .375       | S         | SEA 413478  | 41   |
| 3.500                         | 3.505     | .375       | S         | SEA 411245  | 41   |
| 3.543                         | 3.548     | .375       | S         | SEA 417073  | 41   |
| <b>2.500" (2 1/2") SHAFT</b>  |           |            |           |             |      |
| 3.000                         | 3.004     | .250       | S         | SEA 405555  | 45   |
| 3.189                         | 3.194     | .375       | S         | SEA 472029  | 47   |
| 3.247                         | 3.252     | .500       | S         | SEA 410752  | 41   |
| 3.251                         | 3.256     | .375       | S         | SEA 471271  | 47   |
| 3.303                         | 3.307     | .465       | S         | SEA 4250    | #    |
| 3.350                         | 3.355     | .468       | S         | SEA 410496  | 41   |
| 3.371                         | 3.376     | .375       | S         | SEA 470605  | 47   |
| 3.428                         | 3.433     | .375       | S         | SEA 473274  | 47   |
| 3.500                         | 3.505     | .250       | S         | SEA 444042  | 44   |
| 3.500                         | 3.505     | .375       | S         | SEA 415449  | 41   |
| 3.543                         | 3.548     | .500       | S         | SEA 415001  | 41   |
| 3.623                         | 3.628     | .375       | S         | SEA 416273  | 41   |
| 3.751                         | 3.756     | .500       | S         | SEA 455079  | 45   |
| 3.876                         | 3.881     | .468       | S         | SEA 415082  | 41   |
| 4.003                         | 4.008     | .468       | S         | SEA 455655  | 45   |
| <b>2.556" SHAFT</b>           |           |            |           |             |      |
| 3.937                         | 3.942     | .375       | S         | SEA 476514  | 47   |
| <b>2.562" (2 9/16") SHAFT</b> |           |            |           |             |      |
| 3.500                         | 3.505     | .375       | S         | SEA 415302  | 41   |
| 3.623                         | 3.628     | .375       | S         | SEA 415988  | 41   |
| 3.750                         | 3.756     | .375       | S         | SEA 417481  | 41   |
| 3.876                         | 3.881     | .468       | S         | SEA 455280  | 45   |
| <b>2.598" SHAFT</b>           |           |            |           |             |      |
| 3.481                         | 3.486     | .500       | N         | SEA 411330N | 41   |
| 4.000                         | 4.005     | .500       | S         | SEA 477069  | 47   |

| HSG. BORE                      | SEAL O.D. | SEAL WIDTH | LIP MAT'L | PART NO.    | TYPE |
|--------------------------------|-----------|------------|-----------|-------------|------|
| <b>2.625" (2 5/8") SHAFT</b>   |           |            |           |             |      |
| 3.250                          | 3.256     | .437       | S         | SEA 451143  | 45   |
| 3.350                          | 3.355     | .375       | S         | SEA 412871  | 41   |
| 3.371                          | 3.376     | .375       | S         | SEA 413248  | 41   |
| 3.374                          | 3.379     | .468       | S         | SEA 410708  | 41   |
| 3.481                          | 3.486     | .500       | S         | SEA 450412  | 45   |
| 3.500                          | 3.505     | .375       | S         | SEA 415483  | 41   |
| 3.543                          | 3.548     | .375       | S         | SEA 417079  | 41   |
| 3.623                          | 3.628     | .375       | S         | SEA 415485  | 41   |
| 3.751                          | 3.756     | .375       | S         | SEA 417343  | 41   |
| 3.876                          | 3.881     | .468       | S         | SEA 415007  | 41   |
| 4.003                          | 4.008     | .375       | S         | SEA 417082  | 41   |
| 4.249                          | 4.254     | .468       | S         | SEA 416278  | 41   |
| 4.437                          | 4.441     | .437       | S         | SEA 418027  | 41   |
| 4.564                          | 4.568     | .718       | N         | SEA 9773    | #    |
| <b>2.687" (2 11/16") SHAFT</b> |           |            |           |             |      |
| 3.500                          | 3.505     | .500       | S         | SEA 455434  | 45   |
| 3.751                          | 3.756     | .500       | S         | SEA 455151  | 45   |
| 3.876                          | 3.881     | .468       | S         | SEA 455008  | 45   |
| <b>2.750" (2 3/4") SHAFT</b>   |           |            |           |             |      |
| 3.481                          | 3.486     | .500       | S         | SEA 480491  | 48   |
| 3.500                          | 3.505     | .375       | S         | SEA 416664  | 41   |
| 3.538                          | 3.543     | .437       | S         | SEA 457291  | 45   |
| 3.543                          | 3.547     | .375       | N         | SEA 417484N | 41   |
| 3.623                          | 3.628     | .375       | S         | SEA 415984  | 41   |
| 3.751                          | 3.756     | .375       | S         | SEA 417316  | 41   |
| 3.876                          | 3.881     | .375       | S         | SEA 415960  | 41   |
| 4.003                          | 4.008     | .375       | S         | SEA 416706  | 41   |
| 4.249                          | 4.254     | .468       | S         | SEA 416282  | 41   |
| <b>2.812" (2 13/16") SHAFT</b> |           |            |           |             |      |
| 3.751                          | 3.756     | .500       | S         | SEA 455005  | 45   |
| 3.876                          | 3.881     | .437       | S         | SEA 417485  | 41   |
| 4.003                          | 4.008     | .468       | S         | SEA 475384  | 47   |
| 4.249                          | 4.253     | .468       | S         | SEA 411348  | 41   |
| <b>2.843" (2 27/32") SHAFT</b> |           |            |           |             |      |
| 3.939                          | 3.944     | .495       | S         | SEA 2081    | 41   |
| <b>2.875" (2 7/8") SHAFT</b>   |           |            |           |             |      |
| 3.623                          | 3.628     | .375       | S         | SEA 415303  | 41   |
| 3.751                          | 3.756     | .375       | S         | SEA 417344  | 41   |
| 3.875                          | 3.880     | .515       | S         | SEA 98645   | #    |
| 3.876                          | 3.881     | .375       | S         | SEA 417158  | 41   |
| 4.003                          | 4.008     | .375       | S         | SEA 416921  | 41   |
| 4.125                          | 4.130     | .375       | S         | SEA 417134  | 41   |
| 4.249                          | 4.254     | .500       | S         | SEA 416285  | 41   |
| 4.499                          | 4.504     | .468       | S         | SEA 455144  | 45   |

**OIL SEALS**

| HSG. BORE                               | SEAL O.D. | SEAL WIDTH | LIP MATL | PART NO.   | TYPE |
|---|-----------|------------|----------|------------|------|
| <b>2.937" (2 15/16") SHAFT</b>          |           |            |          |            |      |
| 3.751                                   | 3.756     | .375       | S        | SEA 416956 | 41   |
| 3.876                                   | 3.881     | .375       | S        | SEA 417159 | 41   |
| 3.937                                   | 3.942     | .500       | S        | SEA 416500 | 41   |
| 4.003                                   | 4.008     | .375       | S        | SEA 416654 | 41   |
| 4.125                                   | 4.130     | .375       | S        | SEA 417486 | 41   |
| 4.499                                   | 4.504     | .468       | S        | SEA 455356 | 45   |
| <b>3.000" SHAFT</b>                     |           |            |          |            |      |
| 3.751                                   | 3.756     | .375       | S        | SEA 416956 | 41   |
| 3.876                                   | 3.881     | .375       | S        | SEA 417159 | 41   |
| 3.937                                   | 3.942     | .500       | S        | SEA 416500 | 41   |
| 4.003                                   | 4.008     | .375       | S        | SEA 416654 | 41   |
| 4.125                                   | 4.130     | .375       | S        | SEA 417486 | 41   |
| 4.499                                   | 4.504     | .468       | S        | SEA 455356 | 45   |
| <b>3.125" (3 1/8") (79,37 mm) SHAFT</b> |           |            |          |            |      |
| 4.003                                   | 4.008     | .375       | S        | SEA 416404 | 41   |
| 4.125                                   | 4.129     | .375       | S        | SEA 417621 | 41   |
| 4.249                                   | 4.254     | .500       | S        | SEA 416288 | 41   |
| 4.375                                   | 4.381     | .500       | S        | SEA 417171 | 41   |
| 4.500                                   | 4.506     | .500       | S        | SEA 417172 | 41   |
| 4.626                                   | 4.631     | .437       | S        | SEA 416297 | 41   |
| 4.751                                   | 4.756     | .500       | S        | SEA 416024 | 41   |
| 4.999                                   | 5.004     | .468       | S        | SEA 415021 | 41   |
| 5.251                                   | 5.256     | .468       | S        | SEA 415394 | 41   |
| <b>3.187" (3 3/16") SHAFT</b>           |           |            |          |            |      |
| 4.249                                   | 4.254     | .468       | S        | SEA 456105 | 45   |
| 4.499                                   | 4.504     | .468       | S        | SEA 455336 | 45   |
| <b>3.250" (3 1/4") SHAFT</b>            |           |            |          |            |      |
| 4.003                                   | 4.007     | .375       | S        | SEA 417433 | 41   |
| 4.125                                   | 4.130     | .562       | S        | SEA 455566 | 45   |
| 4.249                                   | 4.254     | .375       | S        | SEA 476470 | 47   |
| 4.376                                   | 4.381     | .500       | S        | SEA 417181 | 41   |
| 4.500                                   | 4.504     | .375       | S        | SEA 418028 | 41   |
| 4.626                                   | 4.632     | .500       | S        | SEA 417353 | 41   |
| 4.723                                   | 4.729     | .468       | S        | SEA 415577 | 41   |
| 4.751                                   | 4.756     | .484       | S        | SEA 456305 | 45   |
| 4.999                                   | 5.004     | .468       | S        | SEA 415023 | 41   |
| <b>3.312" (3 5/16") SHAFT</b>           |           |            |          |            |      |
| 4.125                                   | 4.130     | .562       | S        | SEA 455500 | 45   |
| 4.249                                   | 4.254     | .500       | S        | SEA 416292 | 41   |
| 4.376                                   | 4.381     | .500       | S        | SEA 417491 | 41   |
| 4.499                                   | 4.504     | .468       | S        | SEA 415085 | 41   |
| 4.751                                   | 4.756     | .500       | S        | SEA 416313 | 41   |

| HSG. BORE                      | SEAL O.D. | SEAL WIDTH | LIP MATL | PART NO.    | TYPE |
|--------------------------------|-----------|------------|----------|-------------|------|
| <b>3.375" (3 3/8") SHAFT</b>   |           |            |          |             |      |
| 4.125                          | 4.129     | .375       | S        | SEA 415442  | 41   |
| 4.249                          | 4.254     | .500       | S        | SEA 416294  | 41   |
| 4.376                          | 4.380     | .375       | S        | SEA 412473  | 41   |
| 4.500                          | 4.506     | .500       | S        | SEA 417191  | 41   |
| 4.626                          | 4.632     | .500       | S        | SEA 417354  | 41   |
| 4.688                          | 4.693     | .500       | S        | SEA 455249  | 45   |
| 4.999                          | 5.004     | .468       | S        | SEA 415025  | 41   |
| <b>3.437" SHAFT</b>            |           |            |          |             |      |
| 4.249                          | 4.253     | .375       | S        | SEA 418029  | 41   |
| 4.501                          | 4.506     | .375       | S        | SEA 417492  | 41   |
| 4.626                          | 4.631     | .500       | S        | SEA 417493  | 41   |
| 4.756                          | 4.761     | .562       | S        | SEA 455858  | 45   |
| 4.999                          | 5.004     | .468       | S        | SEA 455026  | 45   |
| 5.250                          | 5.256     | .468       | S        | SEA 455471  | 45   |
| <b>3.500" (3 1/2") SHAFT</b>   |           |            |          |             |      |
| 4.376                          | 4.381     | .500       | S        | SEA 416624  | 41   |
| 4.499                          | 4.508     | .250       | S        | SEA 345146  | 34   |
| 4.501                          | 4.506     | .468       | S        | SEA 415991  | 41   |
| 4.625                          | 4.631     | .500       | S        | SEA 417196  | 41   |
| 4.751                          | 4.756     | .500       | S        | SEA 415437  | 41   |
| 4.875                          | 4.881     | .500       | S        | SEA 417198  | 41   |
| 4.999                          | 5.004     | .468       | S        | SEA 415027  | 41   |
| 5.126                          | 5.131     | .500       | S        | SEA 417495  | 41   |
| 5.251                          | 5.256     | .468       | S        | SEA 415559  | 41   |
| 5.500                          | 5.505     | .500       | S        | SEA 417496  | 41   |
| 5.751                          | 5.756     | .562       | S        | SEA 455396  | 45   |
| <b>3.500" (3 1/2") SHAFT</b>   |           |            |          |             |      |
| 4.499                          | 4.504     | .468       | S        | SEA 415498  | 41   |
| 4.625                          | 4.631     | .500       | S        | SEA 415711  | 41   |
| <b>3.625" (3 5/8") SHAFT</b>   |           |            |          |             |      |
| 4.376                          | 4.381     | .375       | S        | SEA 417698  | 41   |
| 4.499                          | 4.504     | .468       | S        | SEA 415389  | 41   |
| 4.625                          | 4.631     | .437       | S        | SEA 416332  | 41   |
| 4.751                          | 4.756     | .500       | S        | SEA 415937  | 41   |
| 4.875                          | 4.881     | .500       | S        | SEA 417355  | 41   |
| 4.999                          | 5.004     | .500       | S        | SEA 416125  | 41   |
| 5.251                          | 5.256     | .437       | S        | SEA 417499  | 41   |
| <b>3.687" (3 11/16") SHAFT</b> |           |            |          |             |      |
| 4.501                          | 4.506     | .500       | N        | SEA 416919N | 41   |
| 4.750                          | 4.756     | .500       | S        | SEA 417501  | 41   |
| <b>3.750" (3 3/4") SHAFT</b>   |           |            |          |             |      |
| 4.499                          | 4.506     | .468       | N        | SEA 415983N | 41   |
| 4.751                          | 4.756     | .500       | S        | SEA 415379  | 41   |
| 4.875                          | 4.881     | .500       | S        | SEA 417205  | 41   |
| 4.999                          | 5.004     | .500       | S        | SEA 416339  | 41   |
| 5.251                          | 5.256     | .468       | S        | SEA 415150  | 41   |
| 5.376                          | 5.381     | .500       | S        | SEA 416127  | 41   |

**OIL SEALS**

| HSG. BORE                               | SEAL O.D. | SEAL WIDTH | LIP MAT'L | PART NO.   | TYPE |
|---|-----------|------------|-----------|------------|------|
| <b>3.812" (3 13/16") SHAFT</b>          |           |            |           |            |      |
| 4.876                                   | 4.881     | .500       | S         | SEA 417504 | 41   |
| 4.999                                   | 5.004     | .468       | S         | SEA 455032 | 45   |
| 5.251                                   | 5.256     | .468       | S         | SEA 455189 | 45   |
| <b>3.875" (3 7/8") SHAFT</b>            |           |            |           |            |      |
| 4.751                                   | 4.756     | .375       | S         | SEA 417210 | 41   |
| 4.875                                   | 4.881     | .500       | S         | SEA 417211 | 41   |
| 4.999                                   | 5.004     | .500       | S         | SEA 416345 | 41   |
| 5.125                                   | 5.131     | .500       | S         | SEA 415697 | 41   |
| 5.250                                   | 5.256     | .500       | S         | SEA 417366 | 41   |
| 5.376                                   | 5.381     | .500       | S         | SEA 415958 | 41   |
| 5.501                                   | 5.506     | .500       | S         | SEA 417505 | 41   |
| <b>3.937" (3 15/16") (100 mm) SHAFT</b> |           |            |           |            |      |
| 4.876                                   | 4.881     | .625       | S         | SEA 455186 | 45   |
| 4.999                                   | 5.004     | .468       | S         | SEA 415034 | 41   |
| 5.251                                   | 5.256     | .468       | S         | SEA 455191 | 45   |
| 5.376                                   | 5.381     | .500       | S         | SEA 415263 | 41   |
| 5.501                                   | 5.506     | .500       | S         | SEA 417506 | 41   |
| <b>4.000" (101.6 mm) SHAFT</b>          |           |            |           |            |      |
| 4.876                                   | 4.881     | .625       | S         | SEA 415187 | 41   |
| 4.999                                   | 5.004     | .468       | S         | SEA 415035 | 41   |
| 5.125                                   | 5.131     | .500       | S         | SEA 417356 | 41   |
| 5.250                                   | 5.256     | .500       | S         | SEA 417357 | 41   |
| 5.376                                   | 5.381     | .500       | S         | SEA 416130 | 41   |
| 5.501                                   | 5.506     | .562       | S         | SEA 415036 | 41   |
| 5.626                                   | 5.632     | .375       | S         | SEA 417507 | 41   |
| 5.751                                   | 5.756     | .562       | S         | SEA 415041 | 41   |
| 5.999                                   | 6.005     | .500       | S         | SEA 417509 | 41   |
| 6.250                                   | 6.256     | .500       | S         | SEA 417223 | 41   |
| <b>4.125" (4 1/8") SHAFT</b>            |           |            |           |            |      |
| 4.999                                   | 5.005     | .468       | S         | SEA 455134 | 45   |
| 5.126                                   | 5.132     | .500       | S         | SEA 417511 | 41   |
| 5.251                                   | 5.256     | .468       | S         | SEA 415142 | 41   |
| 5.501                                   | 5.506     | .500       | S         | SEA 417512 | 41   |
| 5.751                                   | 5.756     | .562       | S         | SEA 415043 | 41   |
| <b>4.187" (4 3/16") SHAFT</b>           |           |            |           |            |      |
| 4.999                                   | 5.000     | .468       | S         | SEA 415295 | 41   |
| 5.251                                   | 5.256     | .468       | S         | SEA 455194 | 45   |
| 5.751                                   | 5.756     | .500       | S         | SEA 417514 | 41   |
| <b>4.250" (4 1/4") SHAFT</b>            |           |            |           |            |      |
| 5.251                                   | 5.256     | .375       | S         | SEA 472157 | 47   |
| 5.376                                   | 5.381     | .500       | S         | SEA 415196 | 41   |
| 5.500                                   | 5.506     | .500       | S         | SEA 416891 | 41   |
| 5.626                                   | 5.631     | .500       | S         | SEA 416135 | 41   |
| 5.751                                   | 5.756     | .562       | S         | SEA 415045 | 41   |
| 5.999                                   | 6.005     | .500       | S         | SEA 416137 | 41   |
| 6.126                                   | 6.133     | .500       | S         | SEA 417518 | 41   |
| 6.250                                   | 6.256     | .562       | S         | SEA 415058 | 41   |

| HSG. BORE                     | SEAL O.D. | SEAL WIDTH | LIP MAT'L | PART NO.   | TYPE |
|-------------------------------|-----------|------------|-----------|------------|------|
| <b>4.312" (4 5/16") SHAFT</b> |           |            |           |            |      |
| 5.376                         | 5.381     | .500       | S         | SEA 456141 | 45   |
| 5.751                         | 5.756     | .500       | S         | SEA 417520 | 41   |
| 6.250                         | 6.256     | .500       | S         | SEA 417238 | 41   |
| <b>4.375" (4 3/8") SHAFT</b>  |           |            |           |            |      |
| 5.373                         | 5.373     | .570       | N         | SEA 7354N  | 8    |
| 5.500                         | 5.506     | .500       | S         | SEA 416380 | 41   |
| 5.751                         | 5.756     | .560       | S         | SEA 415047 | 41   |
| 5.999                         | 6.005     | .500       | S         | SEA 416149 | 41   |
| <b>4.437" (4 7/16") SHAFT</b> |           |            |           |            |      |
| 5.500                         | 5.506     | .562       | S         | SEA 457295 | 45   |
| 5.751                         | 5.756     | .500       | S         | SEA 417525 | 41   |
| <b>4.500" (4 1/2") SHAFT</b>  |           |            |           |            |      |
| 5.251                         | 5.259     | .437       | S         | SEA 327303 | 32   |
| 5.376                         | 5.381     | .437       | S         | SEA 417530 | 41   |
| 5.500                         | 5.506     | .500       | S         | SEA 416888 | 41   |
| 5.625                         | 5.631     | .500       | S         | SEA 416153 | 41   |
| 5.750                         | 5.756     | .500       | S         | SEA 416892 | 41   |
| 5.999                         | 6.007     | .500       | S         | SEA 416154 | 41   |
| 6.125                         | 6.131     | .562       | S         | SEA 416070 | 41   |
| 6.250                         | 6.256     | .500       | S         | SEA 415351 | 41   |
| 6.374                         | 6.382     | .500       | S         | SEA 417532 | 41   |

**WE RECOMMEND  
DEALERS CARRY SHAFT  
SIZES UP TO 2 1/2"**

**PLEASE CONTACT YOUR  
NEAREST BRANCH FOR  
AVAILABILITY**

**WESTWARD PARTS HAS  
AVAILABLE THE FULL LINE  
OF NATIONAL SEALS**



**SEAL INTERCHANGE**

| OUR PART NO. | VICTOR | C/R   |
|--------------|--------|-------|
| 25X52X7      | 66820  | 9760  |
| 2683S        | 47260  | -     |
| 4763S        | 47593  | 16289 |
| 6283S        | -      | 16286 |
| 7186S        | 47584  | 18127 |
| 7208S        | 47860  | 32411 |
| 7412S        | 43176  | 12363 |
| 7781S        | 47370  | 12437 |
| 40286        | -      | 16364 |
| 43808        | 49290  | 15209 |
| 200110       | 47455  | 20674 |
| 200354       | 49672  | 17618 |
| 200371       | 47427  | 19510 |
| 200392       | 47947  | 26310 |
| 200763       | 47248  | 22430 |
| 200854       | 48019  | 17485 |
| 200855       | 47454  | 23744 |
| 200861       | 48020  | 15174 |
| 200881       | 47946  | 19844 |
| 20086        | 47944  | 16818 |
| 203013       | 47351  | 14972 |
| 203025       | 47376  | 12124 |
| 203034       | 49739  | 18808 |

| OUR PART NO. | VICTOR | C/R   |
|--------------|--------|-------|
| 204013       | 47279  | 14974 |
| 204017       | 47076  | 16069 |
| 204027       | 47587  | 13711 |
| 204035       | 47336  | 22870 |
| 204038       | 49672  | 17617 |
| 204500       | 47593  | 16284 |
| 204502       | 58967  | 17406 |
| 204505       | 46173  | 11164 |
| 204506       | 47693  | 20148 |
| 204507       | 47377  | 12411 |
| 204508       | 49438  | 20044 |
| 410102       | 49421  | 20125 |
| 410987       | 49702  | 23756 |
| 412920       | 47017  | 22532 |
| 452554       | 46148  | 14832 |
| 455280       | -      | 25748 |
| 471192       | 49336  | 13649 |
| 471689       | 47183  | 9997  |
| 472193       | 47696  | 17404 |
| 472258       | 46410  | 13569 |
| 473239       | 62384  | 18823 |
| 473473       | 47329  | 22392 |
| 473796       | 46095  | 17413 |

**Look in Section 18 for Plain and Notched Disc Blades**

## METRIC OIL SEALS

| PART #       | I.D. | O.D. | W. |
|--------------|------|------|----|
| <b>6 mm</b>  |      |      |    |
| SEA 6X16X7   | 6    | 16   | 7  |
| SEA 6X22X7   | 6    | 22   | 7  |
| <b>7 mm</b>  |      |      |    |
| SEA 7X16X7   | 7    | 16   | 7  |
| SEA 7X22X7   | 7    | 22   | 7  |
| <b>8 mm</b>  |      |      |    |
| SEA 8X14X4   | 8    | 14   | 4  |
| SEA 8X16X7   | 8    | 16   | 7  |
| SEA 8X18X7   | 8    | 18   | 7  |
| SEA 8X22X7   | 8    | 22   | 7  |
| SEA 8X24X7   | 8    | 24   | 7  |
| <b>9 mm</b>  |      |      |    |
| SEA 9X18X7   | 9    | 18   | 7  |
| SEA 9X22X7   | 9    | 22   | 7  |
| SEA 9X26X7   | -    | -    | -  |
| <b>10 mm</b> |      |      |    |
| SEA 10X19X7  | 10   | 19   | 7  |
| SEA 10X22X7  | 10   | 22   | 7  |
| SEA 10X24X7  | 10   | 24   | 7  |
| SEA 10X25X7  | 10   | 25   | 7  |
| SEA 10X26X7  | 10   | 26   | 7  |
| <b>11 mm</b> |      |      |    |
| SEA 11X17X4  | 11   | 17   | 4  |
| SEA 11X22X7  | 11   | 22   | 7  |
| SEA 11X26X7  | 11   | 26   | 7  |
| <b>12 mm</b> |      |      |    |
| SEA 12X19X5  | 12   | 19   | 5  |
| SEA 12X20X5  | 12   | 20   | 5  |
| SEA 12X22X7  | 12   | 22   | 7  |
| SEA 12X24X7  | 12   | 24   | 7  |
| SEA 12X25X7  | 12   | 25   | 7  |
| SEA 12X26X7  | 12   | 26   | 7  |
| SEA 12X28X7  | 12   | 28   | 7  |
| SEA 12X30X7  | 12   | 30   | 7  |
| SEA 12X32X7  | 12   | 32   | 7  |
| SEA 12X35X7  | 12   | 35   | 7  |
| <b>13 mm</b> |      |      |    |
| SEA 13X22X6  | 13   | 22   | 6  |
| SEA 13X26X7  | 13   | 26   | 7  |
| SEA 13X26X7  | 13   | 26   | 7  |
| SEA 13X30X7  | 13   | 30   | 7  |
| <b>14 mm</b> |      |      |    |
| SEA 14X24X7  | 14   | 24   | 7  |
| SEA 14X25X5  | 14   | 25   | 5  |
| SEA 14X26X7  | 14   | 26   | 7  |
| SEA 14X27X7  | 14   | 27   | 7  |
| SEA 14X28X6  | 14   | 28   | 6  |
| SEA 14X30X7  | 14   | 30   | 7  |
| SEA 14X32X7  | 14   | 32   | 7  |
| SEA 14X35X7  | 14   | 35   | 7  |

| PART #       | I.D. | O.D. | W. |
|--------------|------|------|----|
| <b>20 mm</b> |      |      |    |
| SEA 20X35X7  | 20   | 35   | 7  |
| SEA 20X36X7  | 20   | 36   | 7  |
| SEA 20X37X8  | 20   | 37   | 8  |
| SEA 20X38X7  | 20   | 38   | 7  |
| SEA 20X40X7  | 20   | 40   | 7  |
| SEA 20X40X10 | 20   | 40   | 10 |
| SEA 20X42X7  | 20   | 42   | 7  |
| SEA 20X42X10 | 20   | 42   | 10 |
| SEA 20X47X7  | 20   | 47   | 7  |
| SEA 20X52X7  | 20   | 52   | 7  |
| <b>21 mm</b> |      |      |    |
| SEA 21X35X8  | 21   | 35   | 8  |
| <b>22 mm</b> |      |      |    |
| SEA 22X32X7  | 22   | 32   | 7  |
| SEA 22X35X7  | 22   | 35   | 7  |
| SEA 22X36X7  | 22   | 36   | 7  |
| SEA 22X37X7  | 22   | 37   | 7  |
| SEA 22X38X8  | 22   | 38   | 8  |
| SEA 22X40X7  | 22   | 40   | 7  |
| SEA 22X40X8  | 22   | 40   | 8  |
| SEA 22X42X7  | 22   | 42   | 7  |
| SEA 22X42X10 | 22   | 42   | 10 |
| SEA 22X45X7  | 22   | 45   | 7  |
| SEA 22X47X7  | 22   | 47   | 7  |
| <b>24 mm</b> |      |      |    |
| SEA 24X35X7  | 24   | 35   | 7  |
| SEA 24X37X7  | 24   | 37   | 7  |
| SEA 24X38X7  | 24   | 38   | 7  |
| SEA 24X40X7  | 24   | 40   | 7  |
| SEA 24X42X10 | 24   | 42   | 10 |
| SEA 24X47X7  | 24   | 47   | 7  |
| SEA 24X52X7  | 24   | 52   | 7  |
| <b>25 mm</b> |      |      |    |
| SEA 25X35X6  | 25   | 35   | 6  |
| SEA 25X35X7  | 25   | 35   | 7  |
| SEA 25X36X8  | 25   | 36   | 8  |
| SEA 25X37X7  | 25   | 37   | 7  |
| SEA 25X38X7  | 25   | 38   | 7  |
| SEA 25X40X7  | 25   | 40   | 7  |
| SEA 25X42X8  | 25   | 42   | 8  |
| SEA 25X42X10 | 25   | 42   | 10 |
| SEA 25X45X8  | 25   | 45   | 8  |
| SEA 25X46X7  | 25   | 46   | 7  |
| SEA 25X47X7  | 25   | 47   | 7  |
| SEA 25X48X8  | 25   | 48   | 8  |
| SEA 25X50X10 | 25   | 50   | 10 |
| SEA 25X52X7  | 25   | 52   | 7  |
| SEA 25X52X8  | 25   | 52   | 8  |
| SEA 25X52X10 | 25   | 52   | 10 |
| SEA 25X62X10 | 25   | 62   | 10 |

| PART #       | I.D. | O.D. | W. |
|--------------|------|------|----|
| <b>15 mm</b> |      |      |    |
| SEA 15X24X7  | 15   | 24   | 7  |
| SEA 15X25X6  | 15   | 25   | 6  |
| SEA 15X25X7  | 15   | 25   | 7  |
| SEA 15X26X7  | 15   | 26   | 7  |
| SEA 15X28X7  | 15   | 28   | 7  |
| SEA 15X30X7  | 15   | 30   | 7  |
| SEA 15X32X8  | 15   | 32   | 8  |
| SEA 15X35X7  | 15   | 35   | 8  |
| SEA 15X37X6  | 15   | 37   | 6  |
| SEA 15X40X7  | 15   | 40   | 7  |
| <b>16 mm</b> |      |      |    |
| SEA 16X22X4  | 16   | 22   | 4  |
| SEA 16X24X6  | 16   | 24   | 6  |
| SEA 16X24X7  | 16   | 24   | 7  |
| SEA 16X26X7  | 16   | 26   | 7  |
| SEA 16X28X7  | 16   | 28   | 7  |
| SEA 16X30X7  | 16   | 30   | 7  |
| SEA 16X32X7  | 16   | 32   | 7  |
| SEA 16X35X7  | 16   | 35   | 7  |
| SEA 16X38X7  | 16   | 38   | 7  |
| SEA 16X40X7  | 16   | 40   | 7  |
| <b>17 mm</b> |      |      |    |
| SEA 17X27X7  | 17   | 27   | 7  |
| SEA 17X28X7  | 17   | 28   | 7  |
| SEA 17X30X7  | 17   | 30   | 7  |
| SEA 17X32X7  | 17   | 32   | 7  |
| SEA 17X35X7  | 17   | 35   | 7  |
| SEA 17X35X8  | 17   | 35   | 8  |
| SEA 17X37X7  | 17   | 37   | 7  |
| SEA 17X38X7  | 17   | 38   | 7  |
| SEA 17X40X7  | 17   | 40   | 7  |
| SEA 17X47X8  | 17   | 47   | 8  |
| <b>18 mm</b> |      |      |    |
| SEA 18X28X6  | 18   | 28   | 6  |
| SEA 18X30X7  | 18   | 30   | 7  |
| SEA 18X32X8  | 18   | 32   | 8  |
| SEA 18X35X7  | 18   | 35   | 7  |
| SEA 18X37X8  | 18   | 37   | 8  |
| SEA 18X38X7  | 18   | 38   | 7  |
| SEA 18X40X7  | 18   | 40   | 7  |
| <b>19 mm</b> |      |      |    |
| SEA 19X27X6  | 19   | 27   | 6  |
| SEA 19X32X8  | 19   | 32   | 8  |
| SEA 19X35X10 | 19   | 35   | 10 |
| SEA 19X40X10 | 19   | 40   | 10 |
| SEA 19X47X7  | 19   | 47   | 7  |
| <b>20 mm</b> |      |      |    |
| SEA 20X28X6  | 20   | 28   | 6  |
| SEA 20X30X7  | 20   | 30   | 7  |
| SEA 20X32X7  | 20   | 32   | 7  |

# METRIC OIL SEALS

| PART #       | I.D. | O.D. | W. |
|--------------|------|------|----|
| <b>26 mm</b> |      |      |    |
| SEA 26X37X7  | 26   | 37   | 7  |
| SEA 26X38X5  | 26   | 38   | 5  |
| SEA 26X40X7  | 26   | 40   | 7  |
| SEA 26X42X10 | 26   | 42   | 10 |
| SEA 26X47X7  | 26   | 47   | 7  |
| SEA 26X48X7  | 26   | 48   | 7  |
| SEA 26X52X8  | 26   | 52   | 8  |
| <b>27 mm</b> |      |      |    |
| SEA 27X37X7  | 26   | 37   | 7  |
| SEA 27X42X10 | 27   | 42   | 10 |
| SEA 27X43X8  | 27   | 43   | 8  |
| SEA 27X45X8  | 27   | 45   | 8  |
| SEA 27X47X10 | 27   | 47   | 10 |
| SEA 27X52X8  | 27   | 52   | 8  |
| <b>28 mm</b> |      |      |    |
| SEA 28X38X7  | 26   | 38   | 7  |
| SEA 28X40X7  | 28   | 40   | 7  |
| SEA 28X40X8  | 28   | 40   | 8  |
| SEA 28X42X8  | 28   | 42   | 8  |
| SEA 28X44X6  | 28   | 44   | 6  |
| SEA 28X45X8  | 28   | 45   | 8  |
| SEA 28X47X7  | 28   | 47   | 7  |
| SEA 28X48X8  | 28   | 48   | 8  |
| SEA 28X52X7  | 28   | 52   | 7  |
| <b>30 mm</b> |      |      |    |
| SEA 30X40X7  | 30   | 40   | 7  |
| SEA 30X42X7  | 30   | 42   | 7  |
| SEA 30X44X7  | 30   | 44   | 7  |
| SEA 30X45X5  | 30   | 45   | 5  |
| SEA 30X45X8  | 30   | 45   | 8  |
| SEA 30X46X7  | 30   | 46   | 7  |
| SEA 30X47X7  | 30   | 47   | 7  |
| SEA 30X48X8  | 30   | 48   | 8  |
| SEA 30X50X7  | 30   | 50   | 7  |
| SEA 30X50X8  | 30   | 50   | 8  |
| SEA 30X52X7  | 30   | 52   | 7  |
| SEA 30X55X10 | 30   | 55   | 10 |
| SEA 30X56X8  | 30   | 56   | 8  |
| SEA 30X62X7  | 30   | 62   | 7  |
| SEA 30X72X10 | 30   | 72   | 10 |
| <b>32 mm</b> |      |      |    |
| SEA 32X42X8  | 32   | 42   | 8  |
| SEA 32X43X7  | 32   | 43   | 7  |
| SEA 32X45X7  | 32   | 45   | 7  |
| SEA 32X46X6  | 32   | 46   | 6  |
| SEA 32X47X7  | 32   | 47   | 7  |
| SEA 32X48X8  | 32   | 48   | 8  |
| SEA 32X50X8  | 32   | 50   | 8  |
| SEA 32X52X7  | 32   | 52   | 7  |

| PART #                   | I.D. | O.D. | W. |
|--------------------------|------|------|----|
| <b>32 mm (continued)</b> |      |      |    |
| SEA 32X54X10             | 32   | 54   | 10 |
| SEA 32X56X10             | 32   | 56   | 10 |
| SEA 32X58X8              | 32   | 58   | 8  |
| SEA 32X60X10             | 32   | 60   | 10 |
| SEA 32X60X8              | 32   | 60   | 8  |
| SEA 32X62X8              | 32   | 62   | 8  |
| SEA 32X72X8              | 32   | 72   | 8  |
| <b>33 mm</b>             |      |      |    |
| SEA 33X50X12             | 33   | 50   | 12 |
| SEA 33X52X6              | 33   | 52   | 6  |
| <b>34 mm</b>             |      |      |    |
| SEA 34X45X8              | 34   | 45   | 8  |
| SEA 34X52X8              | 34   | 52   | 8  |
| SEA 34X54X9              | 34   | 54   | 9  |
| SEA 34X55X9              | 34   | 55   | 9  |
| SEA 34X62X10             | 34   | 62   | 10 |
| <b>35 mm</b>             |      |      |    |
| SEA 35X45X7              | 35   | 45   | 7  |
| SEA 35X47X7              | 35   | 47   | 7  |
| SEA 35X48X8              | 35   | 48   | 8  |
| SEA 35X50X8              | 35   | 50   | 8  |
| SEA 35X54X8              | 35   | 54   | 8  |
| SEA 35X55X8              | 35   | 55   | 8  |
| SEA 35X55X11             | 35   | 55   | 11 |
| SEA 35X56X10             | 35   | 56   | 10 |
| SEA 35X58X10             | 35   | 58   | 10 |
| SEA 35X60X10             | 35   | 60   | 10 |
| SEA 35X62X7              | 35   | 62   | 7  |
| SEA 35X62X10             | 35   | 62   | 10 |
| SEA 35X64X8              | 35   | 64   | 8  |
| SEA 35X65X10             | 35   | 65   | 10 |
| SEA 35X70X8              | 35   | 70   | 8  |
| SEA 35X80X8              | 35   | 80   | 8  |
| <b>36 mm</b>             |      |      |    |
| SEA 36X47X7              | 36   | 47   | 7  |
| SEA 36X50X7              | 36   | 50   | 7  |
| SEA 36X52X7              | 36   | 52   | 7  |
| SEA 36X54X8              | 36   | 54   | 8  |
| SEA 36X56X10             | 36   | 56   | 10 |
| SEA 36X58X8              | 36   | 58   | 8  |
| SEA 36X58X12             | 36   | 58   | 12 |
| SEA 36X60X7              | 36   | 60   | 7  |
| SEA 36X62X7              | 36   | 62   | 7  |
| SEA 36X68X10             | 36   | 62   | 10 |

| PART #        | I.D. | O.D. | W.  |
|---------------|------|------|-----|
| <b>37 mm</b>  |      |      |     |
| SEA 37X52X8   | 37   | 52   | 8   |
| <b>38 mm</b>  |      |      |     |
| SEA 38X50X7   | 38   | 50   | 7   |
| SEA 38X52X8.5 | 38   | 52   | 8.5 |
| SEA 38X53X8   | 38   | 53   | 8   |
| SEA 38X54X7   | 38   | 54   | 7   |
| SEA 38X54X10  | 38   | 54   | 10  |
| SEA 38X55X7   | 38   | 55   | 7   |
| SEA 38X556X10 | 38   | 56   | 10  |
| SEA 38X58X8   | 38   | 58   | 8   |
| SEA 38X60X10  | 38   | 60   | 10  |
| SEA 38X62X7   | 38   | 62   | 7   |
| SEA 38X65X8   | 38   | 65   | 8   |
| SEA 38X68X8   | 38   | 68   | 8   |
| SEA 38X68X10  | 38   | 68   | 10  |
| SEA 38X70X10  | 38   | 70   | 10  |
| SEA 38X72X10  | 38   | 72   | 10  |
| SEA 38X74X8   | 38   | 74   | 8   |
| SEA 38X74X11  | 38   | 74   | 11  |
| <b>40 mm</b>  |      |      |     |
| SEA 40X52X7   | 40   | 52   | 7   |
| SEA 40X54X6   | 40   | 54   | 6   |
| SEA 40X55X6   | 40   | 55   | 6   |
| SEA 40X55X8   | 40   | 55   | 8   |
| SEA 40X56X10  | 40   | 56   | 10  |
| SEA 40X57X10  | 40   | 57   | 10  |
| SEA 40X58X10  | 40   | 58   | 10  |
| SEA 40X60X10  | 40   | 60   | 10  |
| SEA 40X62X8   | 40   | 62   | 8   |
| SEA 40X62X12  | 40   | 62   | 12  |
| SEA 40X65X10  | 40   | 65   | 10  |
| SEA 40X68X12  | 40   | 68   | 12  |
| SEA 40X70X8   | 40   | 70   | 8   |
| SEA 40X72X7   | 40   | 72   | 7   |
| SEA 40X78X8   | 40   | 78   | 8   |
| SEA 40X78X10  | 40   | 78   | 10  |
| <b>41 mm</b>  |      |      |     |
| SEA 41X55X7   | 41   | 55   | 7   |
| SEA 41X56X7   | 41   | 56   | 7   |
| <b>42 mm</b>  |      |      |     |
| SEA 42X55X8   | 42   | 55   | 8   |
| SEA 42X56X7   | 42   | 56   | 7   |
| SEA 42X58X7   | 42   | 58   | 7   |
| SEA 42X60X7   | 42   | 60   | 7   |
| SEA 42X62X8   | 42   | 62   | 8   |
| SEA 42X65X10  | 42   | 65   | 10  |
| SEA 42X68X8   | 42   | 68   | 8   |
| SEA 42X66X10  | 42   | 66   | 10  |
| SEA 42X70X10  | 42   | 70   | 10  |
| SEA 42X72X10  | 42   | 72   | 10  |
| SEA 42X80X8   | 42   | 80   | 8   |
| SEA 42X80X10  | 42   | 80   | 10  |

## METRIC OIL SEALS

| PART #       | I.D. | O.D. | W. |
|--------------|------|------|----|
| <b>43 mm</b> |      |      |    |
| SEA 43X55X8  | 43   | 55   | 8  |
| SEA 43X65X8  | 43   | 65   | 8  |
| <b>44 mm</b> |      |      |    |
| SEA 44X60X10 | 44   | 60   | 10 |
| SEA 44X62X8  | 44   | 62   | 8  |
| SEA 44X65X10 | 44   | 65   | 10 |
| SEA 44X70X8  | 44   | 70   | 8  |
| SEA 44X70X8  | 44   | 70   | 8  |
| SEA 44X72X10 | 44   | 72   | 10 |
| <b>45 mm</b> |      |      |    |
| SEA 45X58X7  | 45   | 58   | 7  |
| SEA 45X60X10 | 45   | 60   | 10 |
| SEA 45X60X8  | 45   | 60   | 8  |
| SEA 45X62X8  | 45   | 62   | 8  |
| SEA 45X65X8  | 45   | 65   | 8  |
| SEA 45X68X7  | 45   | 68   | 7  |
| SEA 45X70X10 | 45   | 70   | 10 |
| SEA 45X72X10 | 45   | 72   | 10 |
| SEA 45X72X7  | 45   | 72   | 7  |
| SEA 45X72X12 | 45   | 72   | 12 |
| SEA 45X72X15 | 45   | 72   | 15 |
| SAE 45X75X7  | 45   | 75   | 7  |
| SEA 45X80X10 | 45   | 80   | 10 |
| SEA 45X85X10 | 45   | 85   | 10 |
| SEA 45X85X13 | 45   | 85   | 13 |
| <b>46 mm</b> |      |      |    |
| SEA 46X65X7  | 46   | 65   | 7  |
| SEA 46X70X8  | 46   | 70   | 8  |
| <b>47 mm</b> |      |      |    |
| SEA 47X62X8  | 47   | 62   | 8  |
| SEA 47X65X8  | 47   | 65   | 8  |
| SEA 47X68X10 | 47   | 68   | 10 |
| SEA 47X70X10 | 47   | 70   | 10 |
| <b>48 mm</b> |      |      |    |
| SEA 48X62X8  | 48   | 62   | 8  |
| SEA 48X63X9  | 48   | 63   | 9  |
| SEA 48X65X10 | 48   | 65   | 10 |
| SEA 48X68X10 | 48   | 68   | 10 |
| SEA 48X70X9  | 48   | 70   | 9  |
| SEA 48X72X7  | 48   | 72   | 7  |
| SEA 48X75X10 | 48   | 75   | 10 |
| SEA 48X80X8  | 48   | 80   | 8  |
| SEA 48X90X10 | 48   | 90   | 10 |

| PART #         | I.D. | O.D. | W.   |
|----------------|------|------|------|
| <b>50 mm</b>   |      |      |      |
| SEA 50X62X7    | 50   | 62   | 7    |
| SEA 50X65X8    | 50   | 65   | 8    |
| SEA 50X68X8    | 50   | 68   | 8    |
| SEA 50X70X8    | 50   | 70   | 8    |
| SEA 50X70X9    | 50   | 70   | 9    |
| SEA 50X72X8    | 50   | 75   | 12   |
| SEA 50X80X8    | 50   | 80   | 8    |
| SEA 50X85X8    | 50   | 85   | 8    |
| SEA 50X90X10   | 50   | 90   | 10   |
| <b>51 mm</b>   |      |      |      |
| SEA 51X65X7    | 51   | 65   | 7    |
| <b>52 mm</b>   |      |      |      |
| SEA 52X65X9    | 52   | 65   | 9    |
| SEA 52X68X8    | 52   | 68   | 8    |
| SEA 52X69X10   | 52   | 69   | 10   |
| SEA 52X70X8    | 52   | 70   | 8    |
| SEA 52X72X8    | 52   | 72   | 8    |
| SEA 52X75X12   | 52   | 75   | 12   |
| SEA 52X80X10   | 52   | 80   | 10   |
| SEA 52X82X8    | 52   | 82   | 8    |
| <b>53 mm</b>   |      |      |      |
| SEA 53X68X10   | 53   | 68   | 10   |
| <b>54 mm</b>   |      |      |      |
| SEA 54X65X8    | 54   | 65   | 8    |
| SEA 54X72X10   | 54   | 72   | 10   |
| SEA 54X73X8    | 54   | 73   | 8    |
| SEA 54X82X10   | 54   | 82   | 10   |
| SEA 54X85X10   | 54   | 85   | 10   |
| <b>55 mm</b>   |      |      |      |
| SEA 55X68X8    | 55   | 68   | 8    |
| SEA 55X70X8    | 55   | 70   | 8    |
| SEA 55X72X8    | 55   | 72   | 8    |
| SEA 55X75X8    | 55   | 75   | 8    |
| SEA 55X78X10   | 55   | 78   | 10   |
| SEA 55X80X8    | 55   | 80   | 8    |
| SEA 55X82X12   | 55   | 82   | 12   |
| SEA 55X85X10   | 55   | 85   | 10   |
| SEA 55X88X8    | 55   | 88   | 8    |
| SEA 55X90X13   | 55   | 90   | 13   |
| SEA 55X100X13  | 55   | 100  | 13   |
| SEA 56X68X10   | 56   | 68   | 10   |
| SEA 56X72X11.5 | 56   | 72   | 11.5 |
| SEA 56X80X6    | 56   | 80   | 6    |
| SEA 56X82X8    | 56   | 82   | 8    |
| SEA 56X85X8    | 56   | 85   | 8    |
| SEA 56X88X8    | 56   | 88   | 8    |
| SEA 56X90X8    | 56   | 90   | 8    |
| SEA 57X85X13   | 57   | 85   | 13   |

| PART #        | I.D. | O.D. | W. |
|---------------|------|------|----|
| <b>58 mm</b>  |      |      |    |
| SEA 58X72X8   | 58   | 72   | 8  |
| SEA 58X75X11  | 58   | 75   | 11 |
| SEA 58X80X8   | 58   | 80   | 8  |
| SEA 58X85X13  | 58   | 85   | 13 |
| SEA 58X88X8   | 58   | 88   | 8  |
| SEA 58X90X10  | 58   | 90   | 10 |
| <b>60 mm</b>  |      |      |    |
| SEA 60X72X8   | 60   | 72   | 8  |
| SEA 60X75X8   | 60   | 75   | 8  |
| SEA 60X80X8   | 60   | 80   | 8  |
| SEA 60X82X12  | 60   | 82   | 12 |
| SEA 60X85X8   | 60   | 85   | 8  |
| SEA 60X85X12  | 60   | 85   | 12 |
| SEA 60X90X8   | 60   | 90   | 8  |
| SEA 60X90X10  | 60   | 90   | 10 |
| SEA 60X95X8   | 60   | 95   | 8  |
| SEA 61X100X10 | 60   | 100  | 10 |
| SEA 60X110X8  | 60   | 110  | 8  |
| <b>62 mm</b>  |      |      |    |
| SEA 62X80X10  | 62   | 80   | 10 |
| SEA 62X85X8   | 62   | 85   | 8  |
| SEA 62X90X10  | 62   | 90   | 10 |
| <b>63 mm</b>  |      |      |    |
| SEA 63X85X10  | 63   | 85   | 10 |
| SEA 63X90X10  | 63   | 90   | 10 |
| <b>64 mm</b>  |      |      |    |
| SEA 64X80X8   | 64   | 80   | 8  |
| <b>65 mm</b>  |      |      |    |
| SEA 65X80X8   | 65   | 80   | 8  |
| SEA 65X85X10  | 65   | 85   | 10 |
| SEA 65X88X10  | 65   | 88   | 10 |
| SEA 65X90X10  | 65   | 90   | 10 |
| SEA 65X90X13  | 65   | 90   | 13 |
| SEA 65X100X10 | 65   | 100  | 10 |
| <b>68 mm</b>  |      |      |    |
| SEA 68X82X7   | 68   | 82   | 7  |
| SEA 68X90X10  | 68   | 90   | 10 |
| SEA 68X100X13 | 68   | 100  | 13 |
| SEA 70X85X8   | 70   | 85   | 8  |
| SEA 70X88X8   | 70   | 88   | 8  |
| SEA 70X88X12  | 70   | 88   | 12 |
| SEA 70X90X10  | 70   | 90   | 10 |
| SEA 70X92X12  | 70   | 92   | 12 |
| SEA 70X95X10  | 70   | 95   | 10 |
| SEA 70X95X13  | 70   | 95   | 13 |
| SEA 70X100X13 | 70   | 100  | 13 |
| <b>72 mm</b>  |      |      |    |
| SEA 72X95X10  | 72   | 95   | 10 |
| SEA 72X100X12 | 72   | 100  | 12 |

# METRIC OIL SEALS

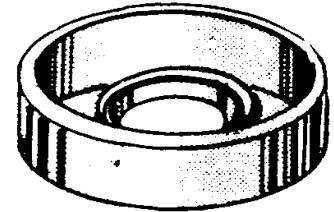
| PART #         | I.D. | O.D. | W. |
|----------------|------|------|----|
| <b>75 mm</b>   |      |      |    |
| SEA 75X90X10   | 75   | 90   | 10 |
| SEA 75X95X10   | 75   | 95   | 10 |
| SEA 75X100X12  | 75   | 100  | 12 |
| SEA 75X105X13  | 75   | 105  | 13 |
| SEA 75X110X12  | 75   | 110  | 12 |
| SEA 75X120X10  | 75   | 120  | 10 |
| <b>78 mm</b>   |      |      |    |
| SEA 78X100X10  | 78   | 100  | 10 |
| SEA 78X105X10  | 78   | 105  | 10 |
| SEA 78X115X10  | 78   | 115  | 10 |
| <b>80 mm</b>   |      |      |    |
| SEA 80X100X10  | 80   | 100  | 10 |
| SEA 80X105X13  | 80   | 105  | 13 |
| SEA 80X110X10  | 80   | 110  | 10 |
| SEA 80X110X12  | 80   | 110  | 12 |
| SEA 80X120X13  | 80   | 120  | 13 |
| <b>82 mm</b>   |      |      |    |
| SEA 82X105X13  | 82   | 105  | 13 |
| <b>85 mm</b>   |      |      |    |
| SEA 85X105X10  | 85   | 105  | 10 |
| SEA 85X105X13  | 85   | 105  | 13 |
| SEA 85X110X12  | 85   | 110  | 12 |
| SEA 85X120X12  | 85   | 120  | 12 |
| SEA 85X125X12  | 85   | 125  | 12 |
| SEA 85X130X13  | 85   | 130  | 13 |
| <b>88 mm</b>   |      |      |    |
| SEA 88X110X12  | 88   | 110  | 12 |
| <b>90 mm</b>   |      |      |    |
| SEA 90X110X12  | 90   | 110  | 12 |
| SEA 90X115X12  | 90   | 115  | 12 |
| SEA 90X120X12  | 90   | 120  | 12 |
| SEA 90X145X14  | 90   | 145  | 14 |
| <b>92 mm</b>   |      |      |    |
| SEA 92X120X13  | 92   | 120  | 13 |
| <b>95 mm</b>   |      |      |    |
| SEA 95X110X10  | 95   | 110  | 10 |
| SEA 95X115X12  | 95   | 115  | 12 |
| SEA 95X120X12  | 95   | 120  | 12 |
| SEA 95X125X12  | 95   | 125  | 12 |
| SEA 95X130X12  | 95   | 130  | 12 |
| <b>98 mm</b>   |      |      |    |
| SEA 98X120X13  | 98   | 120  | 13 |
| <b>100 mm</b>  |      |      |    |
| SEA 100X120X12 | 100  | 120  | 12 |
| SEA 100X125X12 | 100  | 125  | 12 |
| SEA 100X130X12 | 100  | 130  | 12 |
| <b>102 mm</b>  |      |      |    |
| SEA 102X130X13 | 102  | 130  | 13 |

| PART #         | I.D. | O.D. | W. |
|----------------|------|------|----|
| <b>105 mm</b>  |      |      |    |
| SEA 105X125X13 | 105  | 125  | 13 |
| SEA 105X130X12 | 105  | 130  | 12 |
| SEA 105X140X12 | 105  | 140  | 12 |
| <b>110 mm</b>  |      |      |    |
| SEA 110X130X12 | 110  | 130  | 12 |
| SEA 110X140X12 | 110  | 140  | 12 |
| SEA 110X140X13 | 110  | 140  | 13 |
| SEA 110X150X15 | 110  | 150  | 15 |
| <b>112 mm</b>  |      |      |    |
| SEA 112X140X13 | 112  | 140  | 13 |
| <b>114 mm</b>  |      |      |    |
| SEA 114X140X13 | 114  | 140  | 13 |
| <b>115 mm</b>  |      |      |    |
| SEA 115X140X12 | 115  | 140  | 12 |
| SEA 115X145X14 | 115  | 145  | 14 |
| SEA 115X150X12 | 115  | 150  | 12 |
| <b>120 mm</b>  |      |      |    |
| SEA 120X140X13 | 120  | 140  | 13 |
| SEA 120X145X12 | 120  | 145  | 12 |
| SEA 120X150X12 | 120  | 150  | 12 |
| SEA 120X160X12 | 120  | 160  | 12 |
| <b>125 mm</b>  |      |      |    |
| SEA 125X150X12 | 125  | 150  | 12 |
| SEA 125X160X12 | 125  | 160  | 12 |
| SEA 125X170X15 | 125  | 170  | 15 |
| <b>128 mm</b>  |      |      |    |
| SEA 128X150X15 | 128  | 150  | 15 |
| <b>130 mm</b>  |      |      |    |
| SEA 130X150X10 | 130  | 150  | 10 |
| SEA 130X160X12 | 130  | 160  | 12 |
| SEA 130X160X15 | 130  | 160  | 15 |
| SEA 130X170X15 | 130  | 170  | 15 |
| <b>135 mm</b>  |      |      |    |
| SEA 135X160X13 | 135  | 160  | 13 |
| SEA 135X170X12 | 135  | 170  | 12 |
| <b>138 mm</b>  |      |      |    |
| SEA 138X152X12 | 138  | 152  | 12 |
| <b>140 mm</b>  |      |      |    |
| SEA 140X160X13 | 140  | 160  | 13 |
| SEA 140X170X15 | 140  | 170  | 15 |
| SEA 140X180X18 | 140  | 180  | 18 |
| <b>144 mm</b>  |      |      |    |
| SEA 144X160X12 | 144  | 160  | 12 |
| <b>145 mm</b>  |      |      |    |
| SEA 145X164X14 | 145  | 164  | 14 |
| SEA 145X170X12 | 145  | 170  | 12 |
| SEA 145X175X15 | 145  | 175  | 15 |
| SEA 145X180X12 | 145  | 180  | 12 |

| PART #         | I.D. | O.D. | W. |
|----------------|------|------|----|
| <b>148 mm</b>  |      |      |    |
| SEA 148X170X15 | 148  | 170  | 15 |
| <b>150 mm</b>  |      |      |    |
| SEA 150X180X12 | 150  | 180  | 12 |
| SEA 150X180X15 | 150  | 180  | 15 |
| <b>155 mm</b>  |      |      |    |
| SEA 155X180X15 | 155  | 180  | 15 |
| <b>160 mm</b>  |      |      |    |
| SEA 160X185X10 | 160  | 185  | 10 |
| SEA 160X190X15 | 160  | 190  | 15 |
| SEA 160X200X15 | 160  | 200  | 15 |
| <b>170 mm</b>  |      |      |    |
| SEA 170X200X15 | 170  | 200  | 15 |
| SEA 170X210X15 | 170  | 210  | 15 |
| <b>175 mm</b>  |      |      |    |
| SEA 175X200X15 | 175  | 200  | 15 |
| <b>180 mm</b>  |      |      |    |
| SEA 180X210X15 | 180  | 210  | 15 |
| <b>185 mm</b>  |      |      |    |
| SEA 185X210X13 | 185  | 210  | 13 |
| <b>190 mm</b>  |      |      |    |
| SEA 190X220X16 | 190  | 220  | 16 |
| SEA 190X230X16 | 190  | 230  | 16 |
| <b>200 mm</b>  |      |      |    |
| SEA 200X300X15 | 200  | 300  | 15 |
| <b>210 mm</b>  |      |      |    |
| SEA 210X240X15 | 210  | 240  | 15 |
| SEA 210X250X15 | 210  | 250  | 15 |
| <b>220 mm</b>  |      |      |    |
| SEA 220X250X15 | 220  | 250  | 15 |
| <b>230 mm</b>  |      |      |    |
| SEA 230X260X15 | 230  | 260  | 15 |
| <b>240 mm</b>  |      |      |    |
| SEA 240X270X15 | 240  | 270  | 15 |
| SEA 240X280X16 | 240  | 280  | 16 |
| <b>280 mm</b>  |      |      |    |
| SEA 280X320X20 | 280  | 320  | 20 |
| <b>300 mm</b>  |      |      |    |
| SEA 300X340X20 | 300  | 340  | 20 |

## MOST POPULAR AGRICULTURAL SEALS

| PART NO. | CR SEAL NO. | BORE  | O.D.  | WIDTH |
|----------|-------------|-------|-------|-------|
| HUB SE10 | 12124       | 1.21  | 1.985 | 0.406 |
| HUB SE11 | 14974       | 1.50  | 2.334 | 0.500 |
| HUB SE12 | 16069       | 1.625 | 2.328 | 0.438 |
| HUB SE13 | 17617       | 1.75  | 2.724 | 0.359 |
| HUB SE14 | 16284       | 1.62  | 2.568 | 0.250 |
| HUB SE16 | 20148       | 2.00  | 3.632 | 0.250 |
| HUB SE17 | 29100       | 2.50  | 3.883 | 0.468 |
| HUB SE24 | 20952       | 2.000 | 2.722 | 0.359 |
| HUB SE29 | 20078       | 2.000 | 3.148 | 0.250 |
| HUB SE30 | 20140       | 2.000 | 3.543 | 0.438 |
| HUB SE31 | 22644       | 2.250 | 3.881 | 0.469 |
| HUB SE42 | 29952       | 3.000 | 4.008 | 0.438 |

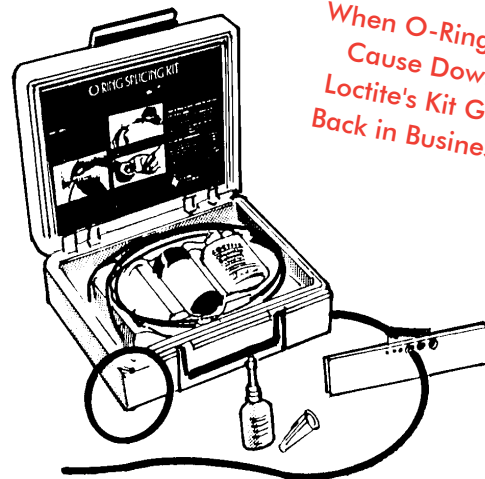


## O-RING SPLICE KIT

PART NO.

LUB 00112

- No more waiting for specials!
- No need to stock many sizes!
- Shorten downtime when static O-rings fail!
- Make any size you need in 60 seconds or less with Loctite's O-ring Splicing Kit as shown here. Often, you can replace rings without dismantling equipment.
- Contains Loctite Quick Set 404 Adhesive, 3' lengths of  $\frac{3}{32}$ ",  $\frac{1}{8}$ ",  $\frac{3}{16}$ ", and  $\frac{1}{4}$ " Buna N cord stock, cutter, fixture, cleanup solvent, and waterproofing solution all in a reusable plastic box.



*When O-Ring Failures  
Cause Downtime,  
Loctite's Kit Gets You  
Back in Business Fast!*

**METRIC SERIES O-RING SERVICE KIT**

Professional Quality  
395 Pieces  
70 Durometer

PART NO.

SEA 409



| PART NUMBERS IN KIT | NOMINAL SIZES (mm) |      |               | QTY. IN KIT |
|---------------------|--------------------|------|---------------|-------------|
|                     | I.D.               | O.D. | CROSS SECTION |             |
| SEA Y01             | 3                  | 5    | 1             | 36          |
| SEA Y02             | 4                  | 5    | 1             | 17          |
| SEA Y02A            | 5                  | 9    | 2             | 9           |
| SEA Y03             | 6                  | 10   | 2             | 17          |
| SEA Y04             | 8                  | 12   | 2             | 17          |
| SEA Y05             | 8                  | 12   | 2             | 17          |
| SEA Y06             | 12                 | 16   | 2             | 17          |
| SEA Y07             | 10                 | 16   | 3             | 11          |
| SEA Y08             | 11                 | 15   | 2             | 17          |
| SEA Y09             | 12                 | 18   | 3             | 11          |
| SEA Y10             | 14                 | 18   | 2             | 17          |
| SEA Y11             | 16                 | 22   | 3             | 11          |
| SEA Y12             | 17                 | 21   | 22            | 17          |
| SEA Y13             | 18                 | 24   | 3             | 11          |
| SEA Y14             | 20                 | 24   | 2             | 17          |
| SEAY15              | 22                 | 28   | 3             | 11          |
| SEA Y16             | 16                 | 26   | 5             | 7           |

| PART NUMBERS IN KIT | NOMINAL SIZES (mm) |      |               | QTY. IN KIT |
|---------------------|--------------------|------|---------------|-------------|
|                     | I.D.               | O.D. | CROSS SECTION |             |
| SEA Y17             | 20                 | 28   | 4             | 9           |
| SEA Y18             | 22                 | 30   | 4             | 9           |
| SEA Y19             | 24                 | 32   | 4             | 9           |
| SEA Y20             | 25                 | 33   | 4             | 9           |
| SEA Y21             | 25                 | 35   | 5             | 7           |
| SEA Y22             | 25                 | 35   | 5             | 7           |
| SEA Y23             | 30                 | 38   | 4             | 9           |
| SEA Y24             | 30                 | 40   | 5             | 7           |
| SEA Y25             | 32                 | 42   | 5             | 7           |
| SEA Y26             | 34                 | 42   | 4             | 9           |
| SEA Y27             | 36                 | 44   | 4             | 9           |
| SEA Y28             | 35                 | 45   | 5             | 7           |
| SEA Y29             | 40                 | 48   | 4             | 9           |
| SEA Y30             | 45                 | 53   | 4             | 9           |
| SEA Y31             | 47                 | 55   | 4             | 9           |
| SEA Y32             | 50                 | 58   | 4             | 9           |

\*Individual Sizes are available in bulk pack. Use part # shown.

**INCH QUICK SERVICE O-RING KIT**

- 380 O-rings in 30 of the most popular sizes
- 70 Duro Nitril Compound 4470
- Replacement Components available
- Please order by Universal Dash numbers
- Handy carrying case included with each kit order

*Ideal For Every Farmer's Shop!*

PART NO.

SEA OK311



Includes:

| PART NO. | AN6277 DASH #'S (SIZE REF) | NOMINAL SIZE |       |      | NO. OF RINGS IN EACH SIZE |
|----------|----------------------------|--------------|-------|------|---------------------------|
|          |                            | I.D.         | O.D.  | W    |                           |
| SEA 006  | -1                         | 1/8          | 1/4   | 1/16 | 20                        |
| SEA 007  | -2                         | 5/32         | 9/32  | 1/16 | 20                        |
| SEA 008  | -3                         | 3/16         | 5/16  | 1/16 | 20                        |
| SEA 009  | -4                         | 7/32         | 11/32 | 1/16 | 20                        |
| SEA 010  | -5                         | 1/4          | 3/8   | 1/16 | 20                        |
| SEA 011  | -6                         | 5/16         | 7/16  | 1/16 | 20                        |
| SEA 012  | -7                         | 3/8          | 1/2   | 1/16 | 20                        |
| SEA 110  | -8                         | 3/8          | 9/16  | 3/32 | 13                        |
| SEA 111  | -9                         | 7/16         | 5/8   | 3/32 | 13                        |
| SEA 112  | -10                        | 1/2          | 11/16 | 3/32 | 13                        |
| SEA 113  | -11                        | 9/16         | 3/4   | 3/32 | 13                        |
| SEA 114  | -12                        | 5/8          | 13/16 | 3/32 | 13                        |
| SEA 115  | -13                        | 11/16        | 7/8   | 3/32 | 13                        |
| SEA 116  | -14                        | 3/4          | 15/16 | 3/32 | 13                        |
| SEA 210  | -15                        | 3/4          | 1     | 1/8  | 10                        |

| PART NO. | AN6277 DASH #'S (SIZE REF) | NOMINAL SIZE |         |      | NO. OF RINGS IN EACH SIZE |
|----------|----------------------------|--------------|---------|------|---------------------------|
|          |                            | I.D.         | O.D.    | W    |                           |
| SEA 211  | -16                        | 13/16        | 1 1/16  | 1/8  | 10                        |
| SEA 212  | -17                        | 7/8          | 1 1/8   | 1/8  | 10                        |
| SEA 213  | -18                        | 15/16        | 1 3/16  | 1/8  | 10                        |
| SEA 214  | -19                        | 1            | 1 1/4   | 1/8  | 10                        |
| SEA 215  | -20                        | 1 1/16       | 1 5/16  | 1/8  | 10                        |
| SEA 216  | -21                        | 1 1/8        | 1 3/8   | 1/8  | 10                        |
| SEA 217  | -22                        | 1 3/16       | 1 7/16  | 1/8  | 10                        |
| SEA 218  | -23                        | 1 1/4        | 1 1/2   | 1/8  | 10                        |
| SEA 219  | -24                        | 1 5/16       | 1 9/16  | 1/8  | 10                        |
| SEA 220  | -25                        | 1 3/8        | 1 5/8   | 1/8  | 10                        |
| SEA 221  | -26                        | 1 7/16       | 1 11/16 | 1/8  | 10                        |
| SEA 222  | -27                        | 1 1/2        | 1 3/4   | 1/8  | 10                        |
| SEA 325  | -28                        | 1 1/2        | 1 7/8   | 3/16 | 7                         |
| SEA 326  | -29                        | 1 5/8        | 2       | 3/16 | 7                         |
| SEA 327  | -30                        | 1 3/4        | 2 1/8   | 3/16 | 7                         |

