



Weatherly Index 310/322-340

Catalog 457601

2008

Supersedes 457601, Dated July 2004

SKF Bearings and Seals

Heavy duty truck wheel applications:
Includes specifications and interchanges

Now featuring Hubcaps/
P.S.I. compatible Hubcaps,
Pinion Seals and
SKF rebuild kits for PreSet®



SKF brand heavy duty products

Since the invention of the world's first self-aligning ball bearing nearly one hundred years ago, and the patenting of the world's first integrated, self-contained shaft seal in 1928, SKF has elevated the heavy duty vehicle market to new levels of performance.

Today, SKF offers a broad product portfolio for the heavy duty vehicle market, helping fleets maintain greater levels of uptime and maximum profitability.



Scotseal® PlusXL from SKF

The premium seal in the Scotseal® family of products from SKF, the Scotseal PlusXL is synthetic lubrication-friendly and offers better dirt exclusion than any other seal on the market. A specially formulated elastomeric material allows the Scotseal PlusXL to withstand extreme heat and cold, providing a whole new level of performance and endurance. The Scotseal PlusXL offers fleet managers the convenience of hand installation.

Scotseal® Classic/LongLife from SKF

As the original Self Contained Oil Type Seal, Scotseal® Classic from SKF has proven to be a solid choice for dependable, long lasting service. With literally trillions of road miles to its credit, Scotseal Classic is a reliable performer for meeting the sealing requirements between brake maintenance intervals.



SKF TF Hubcaps

Combining sophisticated design and a body manufactured from DuPont's Zytel®, TF Hubcaps resist impact damage, weather, chemicals, road salt, UV radiation, and ozone. SKF offers grease and oil compatible hubcaps as well as the new P.S.I. compatible hubcaps - a complete line for heavy duty protection.

SKF Heavy Duty Tapered Bearings

The superior design of SKF Tapered Bearings provides a significant increase in operational reliability, especially under heavy loads and misaligned conditions. Each bearing set contains a precision matched cup and cone, and is engineered & manufactured to maximize bearing performance and life. Half stand bearing sets for PreSet® with tighter tolerances are now available.



SKF rebuild kits for PreSet®

SKF is proud to introduce the all inclusive rebuild kit for PreSet hub assemblies. Extend the life of your PreSet wheel end and lower operating costs with the kit that provides all the OEM approved wheel end components - SKF Scotseal PlusXL wheel seal, SKF half stand tapered bearing sets, PreSet spacer, and SKF hubcap (if applicable). Equip your fleet with PreSet reliability and SKF quality - get the new SKF rebuild kit at your SKF distributor or OE dealer.

Table of contents

About	
How to use this catalog	2
Abbreviation list	4
ATA-vehicle maintenance reporting standards	5
Footnote information	6
Product information	
<i>Wheel end solutions</i>	
An SKF Scotseal® for every application	7
Scotseal descriptions and fitting information	9
Scotseal <i>PlusXL</i>	10
Scotseal <i>Classic</i> and Scotseal <i>Longlife</i>	11
Scotseal TF hubcaps	12
Scotseal TF hubcaps equipped for P.S.I.	14
SKF tapered bearing sets	16
The HD1 universal bearing cup installer	17
The SRT-1 seal removal tool	18
ConMet® PreSet® wheel ends	20
SKF DL pinion seals	22
<i>Trouble-Free Operation® (TFO®)</i>	
The TFO wheel end solution	23
Warranties under the TFO Program	24
<i>Installation</i>	
Stop wheel end leakage	25
Scotseal <i>PlusXL</i>	26
Scotseal <i>Classic</i> and Scotseal <i>Longlife</i>	27
Hubcaps	28
Wheel bearing and end play adjustment procedures	29
Wheel bearing end play verification	30
Applications	
<i>Heavy duty</i>	
Axle identification	31
Index of manufacturers	34
Trailer, tag & pusher axles	81
Front axles	106
Drive axles	149
Pinion seals	232
<i>SKF rebuild kits for PreSet® hub assemblies</i>	252
<i>Light trucks</i>	254
Specifications	
<i>Seals and bearings</i>	
Scotseal <i>PlusXL</i>	359
Scotseal <i>Classic</i> and Scotseal <i>Longlife</i>	360
Bearings	362
Bearing spacers	366
Drive axle flange gaskets	367
<i>Hubcaps</i>	
Scotseal TF oil hubcaps	368
Grease (tamper-proof) hubcaps	369
Steel hubcap numerical list	370
Bolt circle reference	371
Gasket specifications numerical list	373
Gasket bolt circle reference	374
Interchanges	
How to use the competitor & manufacturer interchange	375
Index of abbreviated names	376
Competitor and manufacturer interchange	377
Scotseal to Grease seal	434
Grease seal to Scotseal	437
Bearing to Scotseal	439
Quick reference	
Scotseal installation tooling guide	442
Scotseal <i>Classic</i> and <i>Longlife</i> installation tool chart	444
Scotseal family interchange	448
Hubcap interchange	451
Tapered bearing sets	452

Our engineering & technical service departments are as close as your phone and ready to assist you:
Call the SKF network at 1-800-882-0008 (U.S. & Canada)

How to use this catalog

This catalog contains both a heavy duty section and a light truck section.

Heavy Duty

This catalog contains Scotseal® *Classic*, Scotseal *PlusXL*, Scotseal *Longlife*, bearing, grease seal and hubcap information for medium and heavy duty truck, trailer, bus and other axle applications. Also included is information on SKF rebuild kits and half stand bearing sets for PreSet® hub assemblies by ConMet®.

Axle numerical list

This quick reference guide lists all axle model and code numbers contained in this catalog. Listings are presented in left-to-right alphanumeric sequence similar to a dictionary. Simply locate the axle number, then read across to find the axle manufacturer, application location and the page number of the location.

Heavy duty truck application section

Each section of this catalog has been color-coded for easier reading and locating of necessary information. The shaded or darkest part of the color bar on the outer border of the page indicates the area represented. To use, refer to the table of contents and locate the section needed. Manufacturers are listed alphabetically within each section.

1. Identify the manufacturer of your equipment. Manufacturers are listed alphabetically by category (Trailer, Tag & Pusher Axles, Front Axles and Drive Axles). For vehicle manufacturers not listed, refer to the axle manufacturer.
2. Determine the model or code of your axle (refer to axle identification section). Models and codes are listed in alpha numeric sequence within each manufacturer.
3. After model or code has been located, read to the right for location of the SKF Scotseal *PlusXL*, Scotseal *Classic*, Scotseal *Longlife*, bearings & grease seals. Each part number column is color coded: gray for Scotseal *PlusXL*, white for Scotseal *Classic*, green for Scotseal *Longlife*, white for bearings and gray for grease seals.

General information

Included for your convenience: axle identification, abbreviation listing, ATA-VMRS (American Trucking Association Vehicle Maintenance Reporting Standard) numbers, product features, installation instructions (Scotseal *Classic*, Scotseal *PlusXL*, Scotseal *Longlife*, bearing & hubcap) and axle identification chart.

Interchanges, specifications and indexes

These sections provide cross-references and specifications to assist you in finding the right part for your needs.

Bearing to Scotseal index - If only the inner cone/cup is known, use this index to locate the correct Scotseal number. First locate inner bearing (listed in dictionary sequence), then continue to read across for the suggested Scotseal.

Scotseal to grease seal and grease seal to Scotseal interchanges - When a cross reference is required to determine the correct grease seal or Scotseal number, use these charts.

Competitor and manufacturer to Scotseal interchange - When a cross reference is required to determine the correct Scotseal number, use this section; more detailed instructions precede it. For (non-oilbath-type SKF seal) interchanges, refer to the SKF master seal interchange 457012.

Scotseal family quick reference interchange - Includes Scotseal *Classic* to Scotseal *PlusXL* and Scotseal *Longlife* interchanges as well as corresponding competitor interchanges.

Size specifications - When bearing spacer, gasket, hubcap, Scotseal *Classic*, Scotseal *PlusXL* or Scotseal *Longlife* information can only be determined by way of measurement, refer to this section for complete component dimensions.

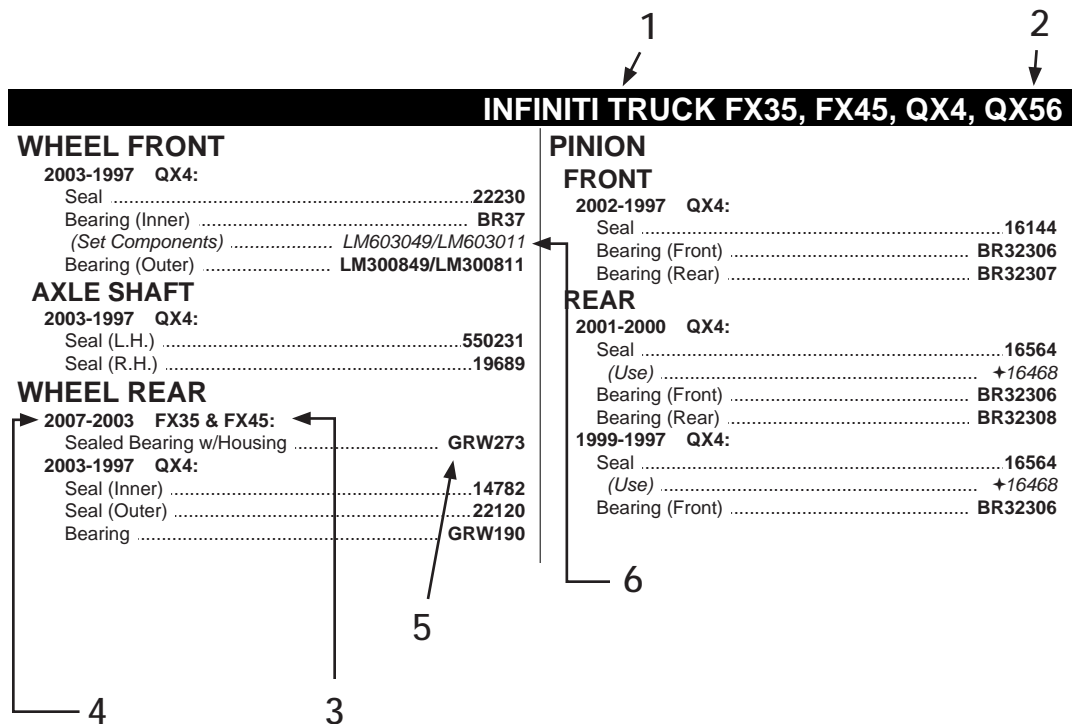
Hubcap interchange - Use this chart as a quick guide to the Scotseal TF hubcap line.

Tapered bearing sets - This section is a quick guide to popular SKF factory-matched standard tapered bearing sets as well as half stand bearing sets for ConMet® PreSet® hub assemblies.

How to use this catalog - (cont.)

Light Truck

1. Locate Manufacturer.
 - Manufacturers are listed in alphabetical order (refer to "Manufacturers Index" for correct page number)
2. Locate Model.
 - Models are listed within each manufacturer's section
3. Locate your application information.
 - Application information is listed in columnar form for each vehicle, with pinion applications following wheel applications.
4. Locate year.
5. Once the application has been located, read to the right of the application to find the SKF stock number.
6. For every bearing set listed, directly underneath will be the components that make up that set in cone/cup sequence.
 - This would only apply to bearing sets where components are available for purchase separately.



Abbreviation list

1st	First	Inn.	Inner
2nd	Second	Ib(s)	Pound(s)
2 W/D	Two Wheel Drive	L	Litre
4 W/D	Four Wheel Drive	L.D.	Light Duty
2 W/S	Two Wheel Steering	L.H.	Left Hand
4 W/S	Four Wheel Steering	Limo	Limousine
ABS	Anti-lock Brake System	LP	Limited Production
A/C	Air Conditioning	LPG	Propane Fueled
Accsry.	Accessory	Lt.	Light
Adj.	Adjustable	Man.	Manual
Alt.	Alternator	Med.	Medium
Alum.	Aluminum	MFI	Multi-port Fuel Injection
Auto.	Automatic	Mfr.	Manufacturer
Assy.	Assembly	mm	Millimeter
Aux.	Auxiliary	M.H.C.	Motor Home Chassis
A.W.D.	All Wheel Drive	Mtg.	Mounting
Bbl.	Barrel	No(s).	Number(s)
Brg(s)	Bearing(s)	NP	New Process
Brks.	Brakes	NPG	New Process Gear
Carb.	Carburetor	O.D.	Outside Diameter
Cat.	Caterpillar	O/D	Overdrive
cc	Cubic Centimeter	OE	Original Equipment
C.P.S.	Center Point Steering	OEM	Original Equipment Manufacturer
CFI	Central Fuel Injection	O.H.C.	Overhead Cam
Chas.	Chassis	OHV	Overhead Valve
Chev.	Chevy	Pass.	Passenger
Comm.	Commercial	Pkg.	Package
Comp.	Compressor	P/C	Police Car
Ctr.	Counter	Pwr.	Power
Cu. In.	Cubic Inch	Rev.	Reverse
Cvr.	Cover	R.H.	Right Hand
Cyl.	Cylinder	Rr.	Rear
Del.	Delivery	R.W.D.	Rear Wheel Drive
Dia.	Diameter	SC	Supercharged
Diff.	Differential	Sed.	Sedan
DOHC	Dual Overhead Cam	SEFI	Sequential Multi-port Fuel Injection
D.S.O.	Domestic Special Order	Ser.	Series
EFI	Electronic Fuel Injection	Ser. No.	Serial Number
Eng(s)	Engine(s)	Sh.	Shaft
Exc.	Excluding/Except	SOHC	Single Overhead Cam
Ext.	Extension	Spdl.	Spindle
F.C.	Forward Control	Spd.	Speed
Flg(d)	Flange	Specs.	Specifications
Frnt.	Front	Sta.	Station
F.W.D.	Front Wheel Drive	Std.	Standard
Gen.	Generator	Strg.	Steering
Gr.	Gear	Thru	Through
G.V.W.	Gross Vehicle Weight	T/C	Turbo Charger
H.D.	Heavy Duty	THM	Turbo Hydramatic
Hi-Perf.	High Performance	Trans.	Transmission
Hi-Temp.	High Temperature	Trk.	Truck
H.O.	High Output	Turbo	Turbocharged
H.P.	Horsepower	Vin	Vehicle Identification Number
HSC	High Swirl Combustion	VV	Variable Venturi
Hsg(s)	Housing(s)	W.B.	Wheel Base
Hyd.	Hydraulic	Wgn.	Wagon
I/C	Intercooler	w/	With
I.D.	Inside Diameter	w/o	Without
Incl.	Includes	Whl(s)	Wheel(s)
Inj.	Injection		

ATA-vehicle maintenance reporting standards

Listed below are American Trucking Association (ATA)—Vehicle Maintenance Reporting Standards versus SKF seal, bearing, hubcap, gasket and miscellaneous part descriptions. The ATA manufacturer code for SKF is SKFIN.

Front axle

18-001-001 Bearing assembly-inner
18-001-002 Bearing assembly-outer
18-001-004 Seal
18-001-012 Bearing-cone
18-001-013 Bearing spacer
18-001-014 Bearing spacer-O-ring
18-001-015 Ring (sleeve)
18-001-016 Bearing-cup
18-001-017 Bearing-cone, inner
18-001-018 Bearing-cup, inner
18-001-019 Bearing-cone, outer
18-001-020 Bearing-cup, outer
18-001-025 Seal set-front axle

Drive axle (rear)

18-002-005 Seal-inner
18-002-006 Seal-outer
18-002-008 Bearing-inner
18-002-009 Bearing-outer
18-002-011 Seal-axle shaft
18-002-013 Bearing-cone
18-002-014 Ring (sleeve)
18-002-016 Bearing-cup
18-002-017 Bearing-cone, inner
18-002-018 Bearing-cup, inner
18-002-019 Bearing-cone, outer
18-002-020 Bearing-cup, outer
18-002-028 Seal-kit

Wheel accessories

18-003-003 Hubcap
18-003-017 Hubcap-gasket
18-003-018 Hubcap-vent plug
18-003-019 Hubcap-fill plug

Trailer, tag & pusher axle

18-004-002 Bearing assembly-inner
18-004-003 Bearing assembly-outer
18-004-005 Bearing-cone, inner
18-004-006 Bearing-cup, inner
18-004-007 Bearing-cone, outer
18-004-008 Bearing-cup, outer
18-004-009 Bearing spacer
18-004-010 Bearing spacer-O-ring
18-004-011 Seal
18-004-022 Ring (sleeve)

Footnote & symbol information

Some long-running sections use footnotes and symbols throughout; they are collected here for convenient reference. Shorter sections have their footnote and symbol explanations printed near the bottom of each page.

Heavy duty wheel applications

- ▲ Tapered bearing set.
- 5 Use for worn hubs or oversize seal bore.
- * Remove spacer when replacing bearings. For bearing spacer specifications, see page 366.

Heavy duty pinion seal applications

- ① For double lip seal version use 33254
- ② For double lip seal version use 30153
- ③ For double lip seal version use 29872
- ④ For double lip seal version use 32410

Light truck applications

- ◇ Use existing part number to depletion, then reorder new number listed below.
- ▲ N4068 is recommended for heavy duty and 12" lever style clutches.
- [] Indicates quantity required.

Manufacturer and competitor interchange

- None Scotseal *Classic*
 - Scotseal *PlusXL*
- 1 DuPont Zytel® material hubcap
- 2 Steel hubcap
- 3 Grease (tamper-proof) hubcap
- 4 GE Lexan® material hubcap

An SKF Scotseal® for every application

Just as the equipment needs of long haul commercial fleets vary from those of heavy duty construction and mining fleets, so does the matchup of the right seal for the driving environment. A "good" seal can fail prematurely if used in the wrong application. The fleet profiles below indicate the diversity of requirements for wheel end components.



Over-the-road fleets

Long haul and most over-the-road fleets are most likely to run power units with outboard brakes, with programmed maintenance intervals in the 150,000 to 200,000 mile range. They are also most likely to use synthetic lubricants.



Refuse hauling/sanitation fleets

Harsh operating conditions from road surfaces and the environment, and the need for very frequent start/stop driving, dictate high maintenance frequency.



Multiple use rental

These fleets tend to have strict maintenance practices to protect the value of their vehicle investment and to achieve an average 3-4 year trade-in cycle. A variety of vehicles also characterizes the multiple-use fleet.



Municipal bus fleets

Pot holes, curb bumps and the wear and tear of constant stop and start driving generate unusual demands for wheel end components. Consistent training of technicians is critical as new faces appear frequently.



Previously owned equipment

These tend to be smaller size fleets who are looking for economical maintenance and lower cost replacement parts. They are also likely to have less experienced and well-trained shop personnel and limited tool resources.



Mining and logging fleets

These fleets are typically characterized by low mileage/high maintenance driving conditions. Downhill braking under heavy loads and off-road dirt and grime cause excessive brake wear and subsequently frequent wheel end maintenance.



Trailer fleets

Fleets usually have more trailers in their fleets than tractors. Trailers have non-driven wheels and usually 50,000 to 60,000 annual mile ranges. Trailers are more frequently dressed with synthetic grease wheel ends. Trailer wheel end maintenance is significant with most trailers equipped with tandem axles.



School bus fleets

Many states and municipalities have specific maintenance laws for school buses which dictate frequency or mileage intervals regardless of fleet size. Generally, maintenance personnel have a high need for wheel end training.

An SKF Scotseal® for every application - (cont.)

Scotseal *PlusXL*



The Scotseal *PlusXL* design with extended life capabilities is the SKF premium performance seal, offering maximum sealing life under virtually all driving conditions. The new high-temperature, synthetic lubricant-friendly material of the new Scotseal



PlusXL, Hydrogenated Nitrile Butadiene Rubber (HNBR), is an excellent choice for frequent braking applications. HNBR elastomeric material provides heat resistance up to 300° F and broad compatibility with today's synthetic lubrication fluids. The unsurpassed exclusion properties allow the Scotseal *PlusXL* to perform in very harsh conditions. The new Scotseal *PlusXL* with the unique hand-installable design includes a fat footprint ensuring stability on the shaft. Worn hubs and spindles are not a problem for the Scotseal *PlusXL*.

Scotseal *Longlife*



Building upon the success of the original Scotseal design, SKF engineers had a great start in their development of a new extended life seal. Computer aided design (CAD) of lip geometry and the addition of an axial dirt excluder lip was combined with a newly



formulated material to produce Scotseal *Longlife*—a premium performance seal with the characteristics required by today's most demanding heavy duty environments.

Scotseal *Classic*



The original Self Contained Oil Type Seal, Scotseal *Classic* became the trucking industry standard—and the best value for more than 30 years. With literally trillions of road miles to its credit, Scotseal *Classic* has proven to be a solid choice for dependable, long lasting



service. Time and time again, field studies show that when properly installed, using SKF tools and procedures, Scotseal *Classic* is a reliable performer for meeting the sealing requirements between brake maintenance intervals.

SKF Scotseal® descriptions and fitting information

SKF Scotseal *PlusXL* is a rubber unitized, one piece design. The Scotseal *PlusXL* consists of four sealing lips: a spring-loaded primary sealing lip with patented Waveseal® design that is factory pre-lubed, a radial and axial dirt lip, plus an outer bumper lip that acts as a preliminary dirt excluder. Scotseal *PlusXL* requires no special installation tools and maintains a rubber-to-metal contact between the seal O.D. and the hub bore surface as well as a rubber-to-metal contact between the packing I.D. and spindle. (See Figure 1)

Scotseal *PlusXL*

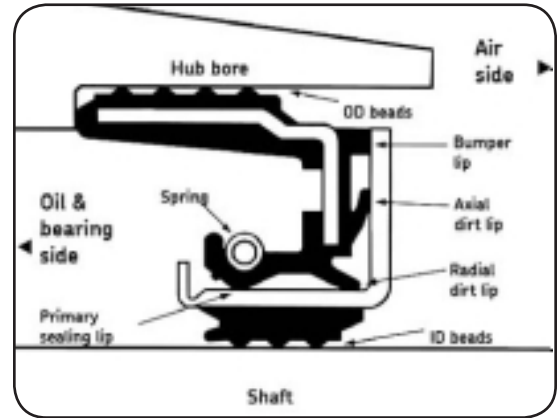


Figure 1

SKF Scotseal *Longlife* is a unitized, one piece design consisting of a sealing element (packing) that is assembled between a metal outer and inner case. The Scotseal *Longlife's* packing consists of four sealing lips: a spring-loaded primary sealing lip that is factory pre-lubed, a radial and axial dirt lip, plus an outer bumper lip that acts as a preliminary dirt excluder. The Scotseal *Longlife* is pressfit into the hub bore using Scotseal installation tools. The Scotseal *Longlife* maintains a metal-to-metal contact between the seal O.D. and the hub bore surface as well as a metal-to-metal contact between the packing I.D. and the spindle. (See Figure 2)

Scotseal *Longlife*

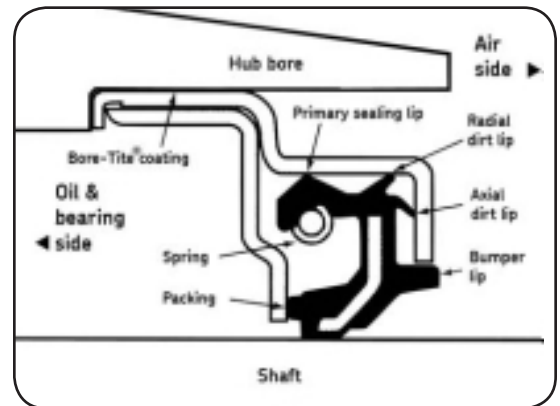


Figure 2

SKF Scotseal *Classic* is a unitized, one piece design consisting of a sealing element (packing) that is assembled between a metal outer and inner case. The packing consists of three sealing lips: a spring-loaded primary sealing lip that is factory pre-lubed, a dirt exclusion lip, and an outer bumper lip that acts as a preliminary dirt excluder. The seal is pressfit into the hub bore using Scotseal installation tools. The Scotseal *Classic* maintains a metal-to-metal contact between the seal O.D. and the hub bore surface as well as a metal-to-metal contact between the packing I.D. and the spindle. (See Figure 3)

Scotseal *Classic*

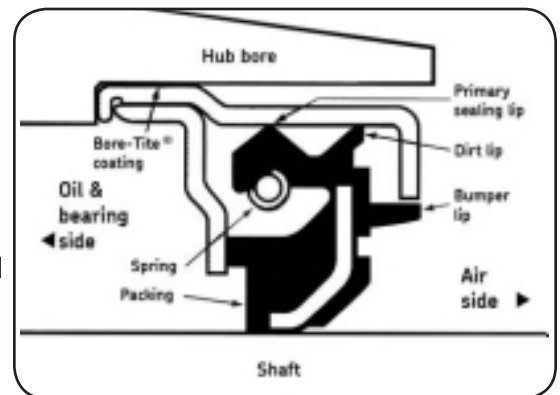


Figure 3

Scotseal® PlusXL

Installs by hand... correctly... every time

The seal that ends installation problems once and for all.

The Scotseal Plus just got better! The Scotseal Plus material is being converted to an advanced formula material that actually extended life in tests by more than double. The Scotseal PlusXL has it all—easy to install, designed to keep out the road contaminants and the oil at the bearings, high temperature capabilities and it is even synthetic fluid friendly.

Easy to install. Scotseal PlusXL requires two tools—your hands! Just slightly lubricate I.D. and O.D. of the new seal with lube being retained. (See Illustration A) The most common cause of premature seal failure is improper installation. Why?

- Tools are heavy and difficult to control. Their size and weight exert great force on the seal, even when properly aligned.
- Tools tend to get damaged over time.
- Tools tend to get lost and misplaced leaving you to improvise.
- Different tools for each seal for each manufacturer—certain recipe for mistakes.

A bulletproof seal design. The unitized design of Scotseal PlusXL means the seal lips and sealing surfaces are locked inside the body of the seal, protected from installation damage. And, because they're both carefully controlled during manufacturing, they match perfectly.

A fat footprint. The I.D. of the seal provides wider contact with the shaft than ordinary wheel seals. This added stability virtually eliminates misalignment or cocking during installation.

Designed to keep out road contamination and oil at the bearings. Every aspect of the Scotseal PlusXL design is directed at keeping out road contamination.

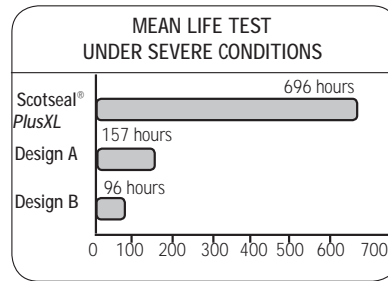
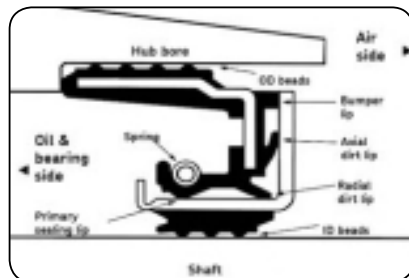
- Rubber O.D. and I.D. leaves no room for contamination to slip in.
- Four sealing lips all intended to keep out the dirt and roadsplash. The Scotseal Plus and now the Scotseal PlusXL have been a featured product in the Scotseal family with their superior capabilities at protecting against all the environmental factors that kill seals and bearings.
- Added defense against road contamination are grease packs between sealing lips.
- Patented Waveseal® design sweeps the oil back to the bearings. Its unique sinusoidal shape runs cooler and lasts longer than conventional straight lip designs.

Your average martian dust storm test. To examine how the new seal will hold up under extreme conditions, seals were tested in an aggressive mud and water solution, much more severe than any road conditions.

(Illustration A)



Scotseal PlusXL



High temperature tolerance leads to extended life. Scientific development of an advanced formula material has propelled the Scotseal PlusXL life expectancy to a new realm. Once dirt is kept out the seal life is simply a matter of time and temperature. The new material can handle temperatures well beyond the peak wheel end temperatures. Wheel end temperatures can spike at 275°F at start up. The Scotseal PlusXL material can resist temperatures over 300°F. High braking vehicles will love the new extended life Scotseal PlusXL. Garbage trucks, busses and intercity fleets can enjoy longer life than ever before. The new material allows the Scotseal PlusXL to endure the high wheel temperatures caused in heavy braking.

Synthetic fluids friendly. The advanced formula material was designed specifically for the popular synthetic fluids. The synthetic fluids offer a promise of longer life to vehicle components but can attack over time a seal's rubber material. Not so for the Scotseal PlusXL; the new material has been immersed in many varieties of today's fluids and was unaffected.

To get your hands on an SKF Scotseal PlusXL simply contact your distributor or SKF sales representative.

Scotseal® Classic and Scotseal Longlife

The stationary seal. The sealing element of the Scotseal *Classic* remains stationary with the axle. Since there's no centrifugal force to fight, the seal can be made as a single piece. No wear ring required.

One-piece design helps eliminate failure. Scotseal *Classic* is a unitized, one piece design consisting of a sealing element (packing) that is assembled between a metal outer and inner case. The packing consists of three sealing lips: a springloaded primary sealing lip that is factory pre-lubed, a dirt exclusion lip, and an outer bumper lip that acts as a preliminary dirt excluder. The seal is pressfit into the hub bore using Scotseal Installation Tools. The Scotseal *Classic* maintains a metal-to-metal contact between the seal O.D. and the hub bore surface as well as a metal-to-metal contact between the packing I.D. and the spindle.

Three lip sealing element. The Scotseal *Classic* design uses a specially formulated nitrile rubber compound molded into three sealing lips. One seals oil in, the other two seal dirt out. The unique material and configuration were designed to meet the extreme demands placed on today's truck wheels: over-the-road wheels that go long distances at highway speeds without stopping, refuse wheels that stop every 30 feet, wheels that go in and out of potholes and wheels that run down dusty gravel roads.

Protection above and below the line of duty. To prevent leakage between the seal and the wheel bore, the Scotseal *Classic* is coated with Bore-Tite® which provides a better seal than a simple metal-to-metal press fit.

A revolutionary evolution.. Building upon the successful one-piece, multi-lip design of the original Scotseal was a great start toward the development of a new

extended life seal. Extensive laboratory and road testing was employed to confirm the evolutionary improvements of the new Scotseal *Longlife* seal. Computer Aided Design (CAD) of lip geometry and the addition of an axial dirt excluder lip were combined with a newly formulated material to give Scotseal *Longlife* the performance characteristics required by today's most demanding heavy duty environments.

Heat, synthetics and contaminants. The environmental factors of high wheel end temperatures, harsh or incompatible lubricants, and the ever present attack of roadway contaminants are the major villains that shorten wheel end seal life. Scotseal *Longlife* seals bring the resistance to these factors to new heights.

No trade-off with synthetics. The development of synthetic lubricants has been a breakthrough for the trucking industry with the promise of longer service life for wheel end components. But this step forward hasn't come without some trade-offs.

The harsh chemical additives in synthetic lubes can degrade seal materials and cause premature seal and, subsequently, bearing failure. With Scotseal *Longlife* there are no trade-offs—the specially formulated polymer used in Scotseal *Longlife* seals is compatible with all known synthetic lubricants currently on the market.

Installation by ear. The unitized design of the Scotseal *Classic* and Scotseal *Longlife* makes installation a simple, three-step procedure:

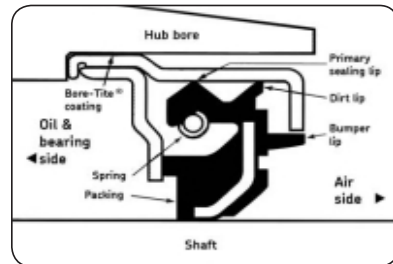
One: The Scotseal is fitted onto the installation tool.

Two: The centering plug is pressed into the inner bearing cone for precise alignment.

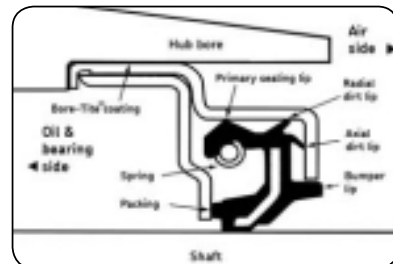
Three: The seal is hammered home.

The sound of the seal as it bottoms

Scotseal *Classic*



Scotseal *Longlife*



out in the hub is the installer's way of knowing that it's properly seated. (Refer to complete installation instructions prior to service.)

The Scotseal Family

Scotseal *Classic* is the matriarch of a very distinguished family. Scotseal *Longlife*, based on the proven *Classic*, is designed to go to even longer intervals between service. The Scotseal *PlusXL* provides the same advantages as our *LongLife* design plus offers easy, hand installation. The patented line of lightweight and durable Scotseal TF and TP hubcaps (as well as strong stamped steel hubcaps) complete the family.



Scotseal® TF hubcaps

Lighter than steel. Tougher than aluminum.

Heavy duty durability

Combining sophisticated design and a body manufactured from DuPont's Zytel®, TF Hubcaps resist impact damage, weather, chemicals, road salt, UV radiation, and ozone. From ricocheting rocks to flooded docks, lightweight Scotseal TF Hubcaps provide superior protection from a range of over-the-road conditions, and regularly run well over 450,000 maintenance-free miles.

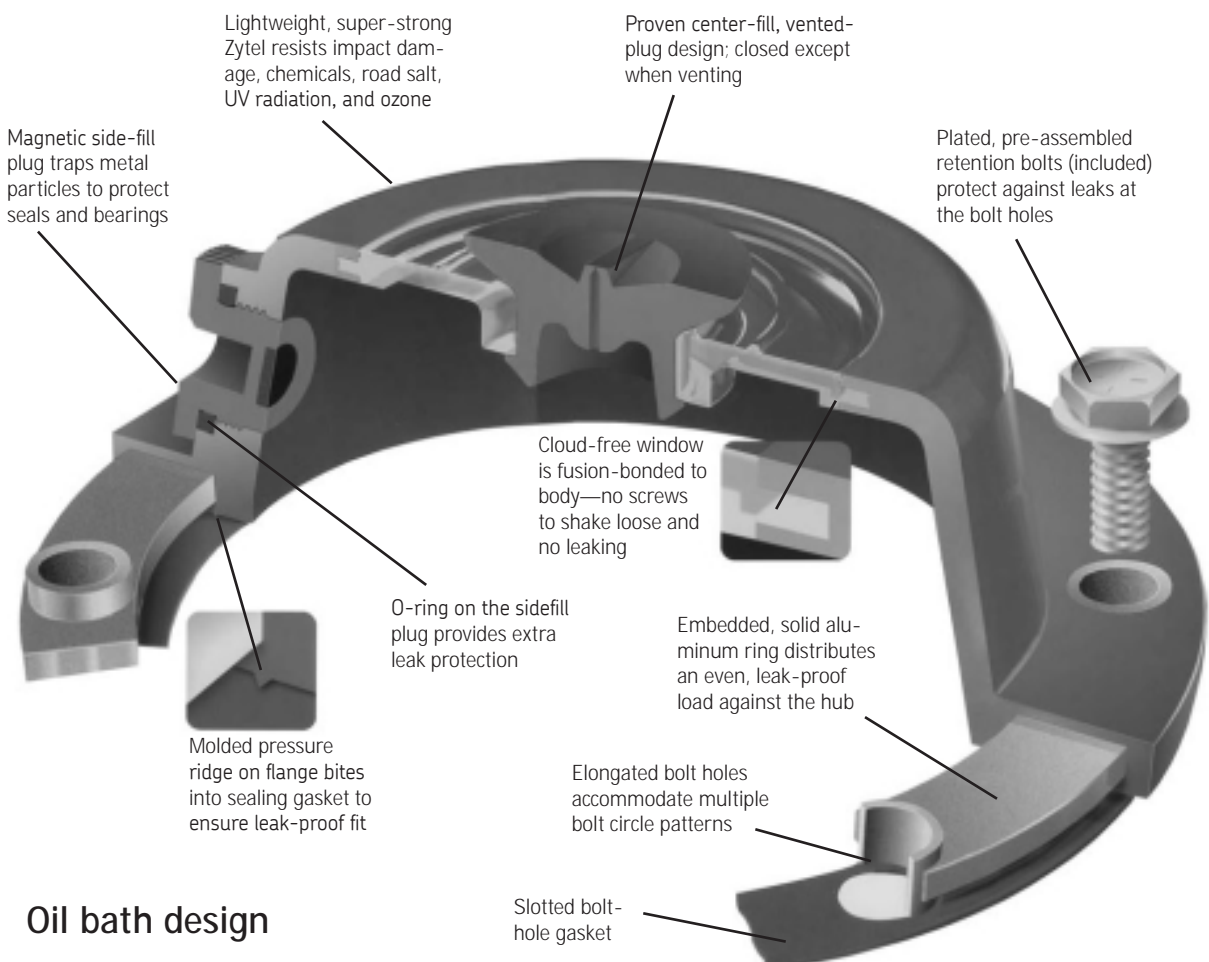


Lubricant compatible, OE approved

Available in oil-bath and grease-packed designs, TF Hubcaps are compatible with all popular lubricants, including the latest synthetics. And TF Hubcaps are approved by all major OE truck and trailer manufacturers, with a growing number installing them as standard equipment. While standard factory finishes are gray and black, the hubcaps can easily be painted to match fleet colors.

Knowledge engineering by SKF

There are other hubcaps on the market, but none providing better wheel-end protection than Scotseal TF Hubcaps. Check out all the special features shown here, each designed to protect your wheel end components and extend the service life of bearings and hub units. For well over a decade, TF Hubcaps have helped fleets log literally billions of trouble-free miles. But what else would you expect from the company that has led the way in advanced bearing and seal technologies for 100 years?



Scotseal® TF Hubcaps - (cont.)

Other popular SKF hubcap designs

Scotseal Stamped Steel

Zinc-plated and protected with weather-resistant dichromate armor to resist rust and rough wear. Available in 3- to 8-bolt designs.



New PSI oil and grease hubcaps

Hubcaps equipped for the popular PSI system.

Scotseal Lexan®

Lightweight, molded design using GE's Lexan handles harsh conditions; sealed models offered for grease-packed systems. Available for oil and grease pro-par applications.

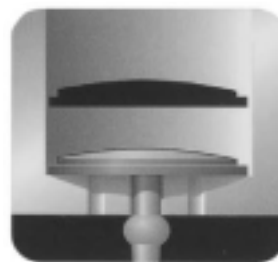


Tamper-Proof Scotseal TF for grease-packed applications



Designed for today's grease-packed systems, the Tamper-Proof Scotseal TF Hubcap features a patented "umbrella" style valve that seals

contamination out, yet vents internal pressure as low as 2 PSI. The addition of a splash plate to the hubcap design helps protect against the harsh conditions created by road spray, power washers and flooded docks.



"Umbrella" valve vents pressure even when covered with 1/4 inch grease; splash plate provides extra protection against power washers.

SKF Scotseal® TF hubcaps equipped for P.S.I.

Heavy duty durability & dependability from the wheel-end experts at SKF.



The SKF Hubcap line just got stronger. You can now equip your MTIS trailers with the SKF Scotseal TF hubcaps you prefer. SKF hubcaps equipped for P.S.I. incorporate the same durable and leak-proof technology you count on from the SKF Scotseal TF hubcaps.



Four new SKF hubcaps are compatible with the Meritor® Tire Inflation System (MTIS) by P.S.I., an automatic tire inflation system (ATIS™). The system increases tire life, fuel efficiency and vehicle productivity.

Compatible with all popular lubricants.

Available in oil-bath and grease-packed designs, the new P.S.I. hubcaps are compatible with all popular lubricants, including the latest synthetics.

Wheel-end protection to extend service life.

The new hubcaps incorporate the same state of the art technology as all SKF Scotseal TF hubcaps.

Check out the features and benefits of the new SKF Scotseal P.S.I. compatible hubcaps on the next page.

SKF Scotseal® TF hubcaps equipped for P.S.I. - (cont.)

There are other hubcaps on the market, but none providing better wheel end protection than SKF Scotseal P.S.I. compatible hubcaps. Check out all the special features shown here, each designed to protect your wheel end components and extend the service life of seals and bearings.

Durable

- Lightweight, DuPont's Zytel® material resists impact damage
- Revolutionary GRILIMID windows will not discolor from the effects of weather, chemicals, road salt, UV radiation or ozone

Leak-proof

- Fusion bonded window that cannot leak
- Embedded aluminum ring provides even leak-proof load against hub
- Molded pressure ridge bites into sealing gasket to ensure leak-proof fit

P.S.I. compatible

- Dual side fill plugs offer convenience that others do not
- P.S.I. insert molded into the window and the window molded into the body protects against leaks. Alternate designs on the market incorporate an O-ring at the insert and screws to hold the window in place leaving the potential for leakage.

SKF part no.	TN Axle		TP Axle	
	Oil	Grease	Oil	Grease
	1943	1443	1996	1499
Interchanges:				
Stemco	343-4370	340-4370	343-4372	340-4372
Dual Dynamics	207-P	201-G	260-P	456-G
ArvinMeritor	31427-00	31426-00	31439-00	31437-00

SKF tapered bearing sets



Increase your fleet uptime and eliminate premature wheel end component failures by installing precision engineered SKF tapered bearing sets.

- SKF tapered bearing sets are engineered and manufactured to the highest quality standards. Their design and superior materials provide a significant increase in operational reliability under heavy loads and misaligned conditions.
- Precision engineering enables SKF tapered bearings to be easily adjusted on clearance or fit between the cup and cone assembly.
- SKF tapered bearing sets greatly reduce friction and increase load carrying capabilities. Each set contains a precision matched cup and cone that are specifically designed to maximize bearing performance and life. SKF bearing sets:
 - Help the installer do the job right
 - Ensure longer bearing life
 - Help prevent premature failure
 - Increase truck and trailer uptime
 - Available for all popular applications
- Easy to use part numbering system.
- New from SKF, half stand tapered bearing sets for PreSet® hub assemblies. Precision manufactured with very tight dimensional tolerances specified and approved by ConMet® for the very popular PreSet hub assemblies.
- SKF global manufacturing capabilities provide world class quality and premium performance.
- SKF offers a full range of products for the Heavy Duty aftermarket, including the very popular wheel seals Scotseal® *Classic*, Scotseal *PlusXL* and Scotseal *Longlife*. Simply contact your distributor or sales representative for further information.

ConMet and PreSet are registered trademarks of Consolidated Metco Inc.

SKF HD1 universal bearing cup installer

Expert mechanics know that wheel end service efficiency increases when the appropriate tools are used. One such tool is SKF's HD1 universal bearing cup installer:

- Installs 3-5/8" to 6-1/2" cup O.D. sizes along with metric equivalents. Fits 60 different industry part numbers.
- Fits popular cups such as BR563, BR3720, BR3920, HM212011 & 453-X.
- A three jaw system provides evenly distributed pressure, eliminating cocked installations. Prevents deformed bearing cup faces.
- Replaces many different types of cup installer plates.



Evenly distributed pressure for proper installation and maximum reliability.

Perform three basic steps and you can be confident that each cup is installed correctly, every time—no more worries after the truck leaves the garage.

1. Insert jaws onto bearing cup. (See Figure 1)
2. Finger-tighten adjusting nut to correct fit. (See Figure 2)
3. Drive the cup into place.

Figure 1

Each of the HD1's three jaws fits to the inside of the bearing cup.

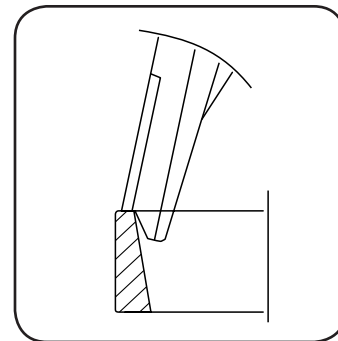
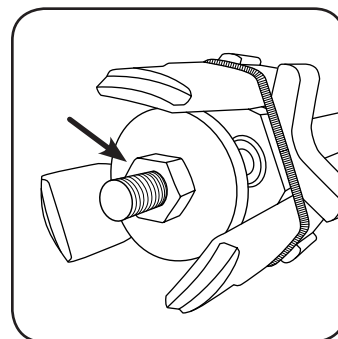


Figure 2

The adjusting nut ensures a correct fit.



The SKF SRT-1 seal removal tool

The SKF SRT-1 Seal Removal Tool is recommended for removal of most tractor, truck, dolly or trailer wheel seals. This tool makes seal removal easy, even on the largest heavy duty wheels.

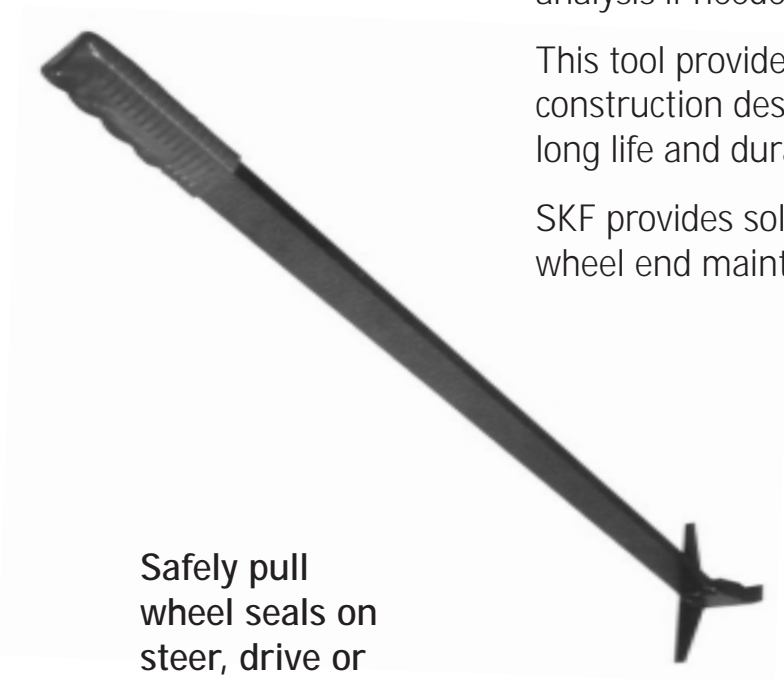
Patented seal removal tool saves time and bearings.

Not only will this tool save technician time, but it will also reduce the chance of damaging the bearings during seal removal.

In addition, the old seal is removed intact allowing for complete failure analysis if needed.

This tool provides a rugged construction design that ensures long life and durability.

SKF provides solutions for all of your wheel end maintenance problems.



Safely pull wheel seals on steer, drive or trailer hubs.

The SKF SRT-1 seal removal tool - (cont.)

The time-saving, bearing-saving way to pull wheel seals on steer, drive or trailer hubs.

The SRT-1 seal removal tool
U.S. Patent No. 5,617,621



Simple design, rugged construction and ergonomic features increase your productivity and eliminate costly bearing damage.

- Saves time—no more laborious prying against bearings or driving out seals.
- Saves bearings—tool grabs seal only and bearings go undamaged.
- Easy to use—wedges and long handle provide exceptional leverage.
- Rubber grip for security in handling.
- Heavy duty construction for long life and dependability.
- Works with steer, drive, and trailer wheel seals.
- Seal is removed intact allowing for proper seal inspection, and failure analysis if required.

Do not add handle extension to tool. Tool to be used only for seal removal.



The SKF tool makes seal removal easy even on the largest heavy duty wheels.

(This demonstration is on a 54,000 lb. G.V.W. dump truck drive wheel.)



WHEEL END SOLUTIONS

TROUBLE-FREE OPERATION®

INSTALLATION

ConMet® PreSet® wheel ends



ConMet manufactures PreSet hub assemblies that combine lightweight material, easy installation, low maintenance and long life. When installed in O.E.M. equipment, ConMet PreSet assemblies include Scotseal® *PlusXL* and are designed to be

maintenance free for 500,000 miles. As with all long life safety critical components, these units still require regular inspection. Refer to the truck or trailer manufacturer for specific inspection intervals and procedures.

When PreSet wheel end maintenance is needed, ConMet recommends the use of the SKF Scotseal *PlusXL*. As the preferred original equipment and aftermarket wheel seal of ConMet, SKF's Scotseal *PlusXL* allows fleets to maintain the warranty and the long life associated with ConMet PreSet assemblies.

ConMet PreSet assemblies contain specially toleranced bearings designed within the spacer system to provide long service life. Additionally, ConMet engineers its PreSet assemblies with a precision metal spacer, which ensures optimum bearing adjustment.

In emergency break-down situations where the special bearings are not available, it is possible to use standard bearings as a replacement, by removing the spacer and manually adjusting the bearings. In this case, standard SKF Tapered Sets could be used. Be sure to follow maintenance guidelines as found on ConMet's website, www.conmet.com. It is always preferred to use the specially toleranced bearings when they are available to eliminate the possibility of bearing problems related to improper adjustment.

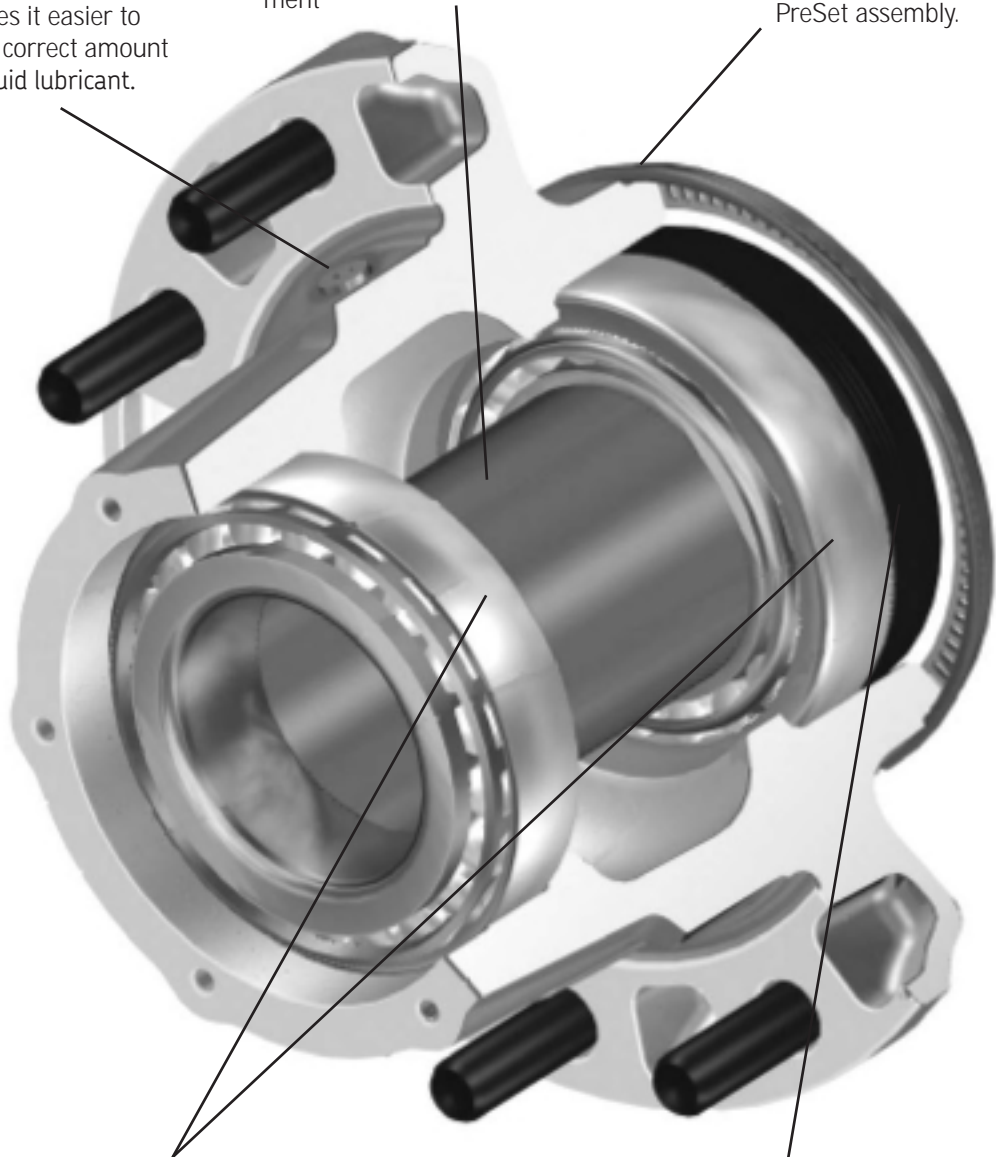
ConMet and PreSet are registered trademarks of Consolidated Metco, Inc.

ConMet® PreSet® wheel ends - (cont.)

Fill hole simplifies installation of lubricant.
Standard fill hole in trailer hubs makes it easier to install the correct amount of semi-fluid lubricant.

Spacer provides a fixed, dimensional bearing adjustment.
Precision-ground spacer ensures proper bearing adjustment. PreSet hub assemblies never need adjustment

Integral tone ring for ABS-equipped vehicles.
Optional precision-stamped one-piece ring is installed as an integral part of the PreSet assembly.



Tapered roller bearings deliver exceptional life.
Specially tolerated inner and outer tapered roller bearings are designed and selected for extended life.

Extended-life wheel seal protects internal components.
Premium seals are installed at the factory to a controlled depth, providing maximum sealing efficiency and protection against leaks and contamination.

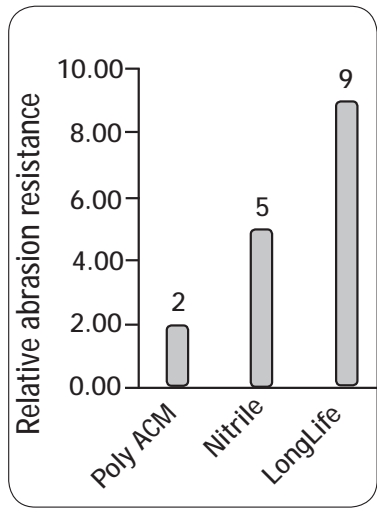
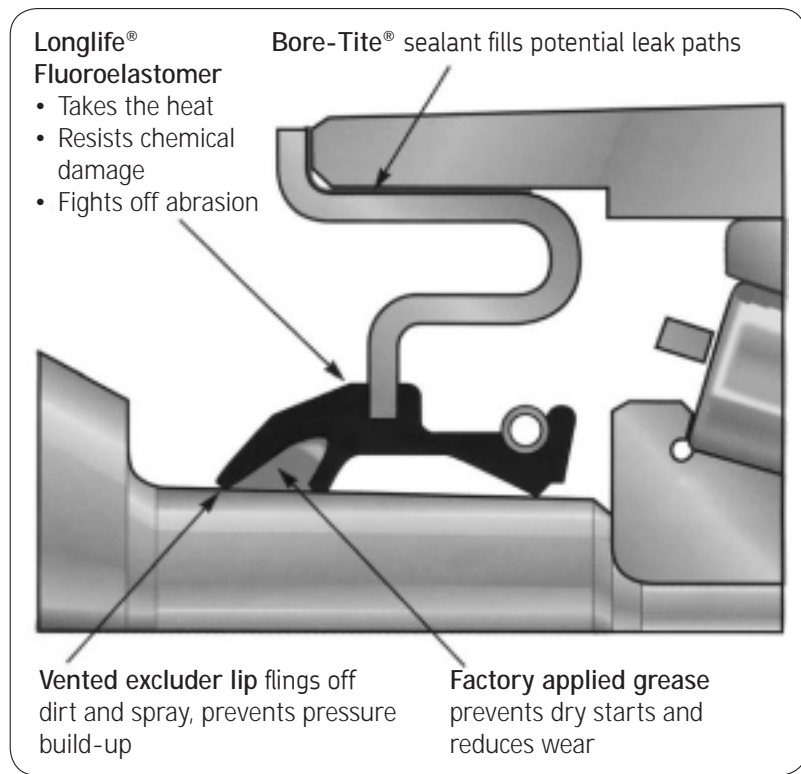
SKF DL pinion seals

SKF DL pinion seals are made from a proven fluoroelastomer that's been enhanced for improved sealing performance. It produces a seal that can outlast anything on the market today.

New DL design has a rugged excluder lip to add a double layer of protection against external contamination. It's specifically designed to fling off water and salt spray and to block road dirt and dust.

It's also double vented to prevent pressure build-up that can cause the primary sealing lip to run hot.

A cool running seal will run a lot longer.



Excellent abrasion resistance of LongLife gives you added performance in tough environments and lower cost-per-mile overall.

The radial dirt lip provides a second barrier against dirt and contamination. It's highly effective, while applying only a light pressure on the shaft to help avoid excessive heat build-up.

The primary sealing lip is designed to match the application. In most cases, it will be the patented SKF Waveseal® birotational design with its demonstrated ability to dissipate heat and reduce wear.

But, where uni-directional lips are specified, special clock-wise or counter-clock-wise helixes have been molded into the lips for superior oil retention.

Bore-Tite® sealant on the O.D. of each seal eliminates oil leaks caused by scratches or minor imperfections in the bore.

A factory applied grease pack ensures that the seals won't run dry on start-up where excessive wear can occur. It also provides an added insulator against outside contamination.

The full line consists of nineteen part numbers and covers every major differential design.

For more information contact your distributor or call us at 1-800-882-0008.

The TFO® wheel end solution

Overview

Subject



Seals

Situation/Problem

Just as the equipment needs of long haul commercial fleets vary from those of heavy duty construction fleets, so does the matchup of the right seal for the driving environment. A "good" seal can fail prematurely if used in the wrong application.

TFO Solution

SKF recognizes the need for more than one type of seal for every purpose. The TFO Program analyzes seal matchup to your fleet's needs and recommends the optimum seal selection for your operation.



Bearings

Handling wheel bearings correctly at every stage is critical to trouble-free operation. A bearing that fails unexpectedly can be not just inconvenient, but costly and dangerous.

The TFO Program details the proper removal and installation of bearings, including procedures for cleaning, lubricating and assuring correct end-play adjustment.



Hubcaps

Hubcaps work through the constant exposure of the environment, including hot, cold, wet, dry and road salt conditions. Some of the hubcap's roughest treatment comes from inside due to lack of lube or an over-tight bearing adjustment, causing a cooked hub and permanent damage.

SKF offers replacement hubcaps that are approved by all major OE truck and most trailer builders, and are compatible with all popular oils and greases. The TFO program outlines the importance of proper hubcap installation, and details the process of matching the correct hubcap with the lubricant being used on a specific application.



Failure analysis

You can tell a lot about why a bearing or seal has failed prematurely by examining the failed component. The TFO guide provides photographs of failed bearings, hubcaps and seals, along with explanations for the failures.

Over the years, SKF has examined thousands of damaged seals (from all manufacturers) and has analyzed the major causes of the damage. This knowledge has been distilled into our documentation called Failure Analysis. Part of the TFO Program includes inspection and analysis of your fleet's wheel end failures and a recommendation of steps needed to avoid similar failures in the future.



Tooling

Tools for removal and installation of wheel end seals are as critical to seal performance as they are to other tooling issues (imagine how wrong it would be to install a new piston with a sledge hammer). Related tools such as wheel dollies and end-play calibrators also play a role in the correct or incorrect installation process.

SKF's specialized tooling is designed for errorless, damage-free removal and installation of seals, with procedures that can be easily understood. These tools, and the training on how to use them properly, are part of the TFO Program's implementation process.



Training

Professional training of the shop personnel is the "silver bullet" to improved maintenance efficiency and the reduction of premature seal and bearing failure. To put training in its proper perspective, as much as 90% of all wheel end seal failures are a result of improper installations.

The TFO Program puts appropriate emphasis on training, with the goal of issuing "TFO Qualified" certificates to participating shop maintenance personnel. Training is conducted by knowledgeable and experienced SKF personnel, with hands-on learning, tooling demonstrations, videos and User Manuals. Education on the importance of wheel end systems and their critical role in the safety and productivity of the vehicle is an important part of the TFO Program implementation.

Warranties under the TFO® Program

In addition to helping your fleet reduce wheel end maintenance and its associated costs, you can also benefit from special extended warranties on selected products when certain requirements are met. The following warranties are provided for the SKF line of Scotseals purchased under the TFO program.

	Scotseal® <i>Classic</i>	Scotseal <i>Longlife</i>	Scotseal <i>PlusXL</i>
Tractor	1 year or 100,000 miles	2 years or 150,000 miles	3 years or 300,000 miles
Trailer	1 year unlimited	2 years unlimited	3 years unlimited
Severe service	1 year or 50,000 miles	1 year or 100,000 miles	1 year or 150,000 miles

The following conditions are required for warranty coverage under the TFO program:

- SKF hubcaps must be used
- Coverage applies to genuine SKF Scotseals and Hubcaps only
- User must follow current TMC maintenance procedures
- SKF representative to conduct training at each fleet maintenance facility
- Wheel end maintenance records are to be monitored by SKF and fleet

Note: For further details on the warranty program, contact your local SKF representative.

Caution: Beware of counterfeit seals

Unscrupulous manufacturers are flooding the global market with poorly engineered and cheaply manufactured seals that have deliberately been made to resemble premium quality SKF Scotseals. Most obvious is the use of green paint (not Bore-Tite®) that can flake off and enter the hub, actually causing bearing damage. The warranties detailed above apply only to genuine SKF brand Scotseals.

A few words of caution:

- A seal's running surfaces are critical to performance. Historically, the running surfaces of counterfeit seals have been demonstrated to be well below SAE standards.
- Testing has shown these counterfeit seals to be of substantially inferior quality and highly questionable reliability.
- Premature seal failure can lead to unexpected wheel end failures that can cause vehicle downtime and damage, serious personal injury and even fatalities.

Stop wheel end leakage problems, be a good detective... look for clues.

There are many causes of wheel end leakage beyond the oil seal. If you look, you will find that leaking wheel ends leave clues pointing to which component or components are the culprits. Follow the guidelines of the checklist below as you service the wheel end. You may find that just changing the seal may not be your permanent solution.

Inspect for indications of leakage

Under vehicle inspection

- Oil present past the seal
- Oil contaminated hub, brake hardware, brake shoes

External leakage

- Oil present around hubcap, in wheel cavity
- Oil present around axle flange (drive axle)

Disassemble the wheel end

(Caution: Block wheels, support vehicle on stands)

- Check condition of hub cap. Check flange, window and center fill plug
- Check bolts and axle flange area on drive axle

Remove hub cap

(Axle flange on drive axle)

Check condition of lube

- Cloudy or milky indicates water
- Shiny indicates bearing wear
- Metal flakes present could indicate loose shavings from an axle component
- Grit and sand indicates lube contamination
- Smells burnt indicates overheating

Remove hub cap - (cont.)

Check condition of fastening system

- Verify end-play measurement before removing fastener
- Examine outer nut, washer (dowel, tang or 'D' type), inner nut and cotter pin

Remove outer bearing

- Inspect for signs of damage

Remove wheel or hub assembly, using a wheel dolly

Check spindle

- Threads damaged
- Chamfer damaged

Set bearings aside for inspection

Remove seal

- Check hub
- Condition of chamfer
- Nicks, burrs, damage

Installation procedures for Scotseal® PlusXL



Lightly lubricate the O.D. and I.D. with the fluid being retained.

This seal is hand installable. No special tools are required.

Caution: Do not install the Scotseal PlusXL directly onto the spindle.

Place the hub (wheel) assembly flat or at least at a 45° angle for seal installation.



Press the seal into the bore evenly by hand.

1. Pre-lube the inner bearing cone with the lubricant that is being retained and place it into the hub.
2. Lightly lubricate the seal O.D. and I.D. evenly with the fluid that is being retained. Also apply a thin layer of oil on the hub bore that the seal is being pressed into. NEVER INSTALL DRY.
3. Press the seal by hand evenly into the bore. A rubber mallet or other soft-faced tool may be used to gently tap the seal into place. Be sure that the seal is evenly seated and bottomed in the bore. As in any seal installation, apply an even driving force to avoid cocking the seal or damaging the flange surface.
4. Allow seal to set for about 5 minutes prior to installing hub assembly onto spindle.

A rubber mallet may be used to tap into place.

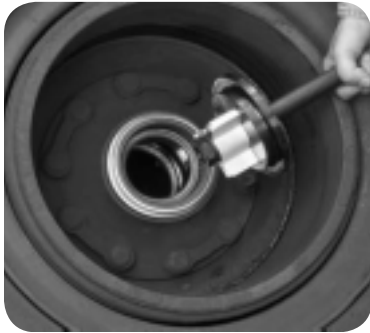


Caution: Install a new seal if the seal is cocked or damaged during or after installation.

Installation procedures for Scotseal® *Classic* and *Longlife*



Caution: Do not install the Scotseal directly onto the spindle. Place the hub (wheel) assembly against a solid surface or bench at a 45° angle for seal installation. This aids in centering the bearing and seal in the hub bore. Clean bore of any particles, rust or grease.



1. Pre-lube the inner bearing cone with the lubricant that is being retained and place it into the hub.
2. Place the Scotseal *Classic* or Scotseal *Longlife* into the hub bore and insert the tool assembly with centering plug into the seal. Note: Be sure to wear proper eye protection.
3. Hold the tool handle firmly and straight, and drive the seal with firm hammer strokes until the seal is squarely seated. Continue driving the seal into the hub until the sound of impact changes.
4. After the seal is bottomed in the bore, check for freedom of movement by manually moving the packing of the seal up and down. Ensure that the inner bearing rotates freely.



Caution: Install a new seal if the seal is cocked or damaged during or after installation.



The Scotseal toolboard

- Keeps tools orderly and lessens chances of tools being misplaced or damaged
- Sturdy metal construction—mounts easily on shop wall
- Fitting chart included
- Just order part no. TB-1 (tools not included)



Installation procedures for hubcaps

Installation procedure

1. Hub mating surface must be free of dirt, burrs and radial score lines.
2. Hub mating surface, hubcap flange and gasket should not be greased or oiled.
3. Always install and re-install a hubcap with a new gasket.
4. When using a Tamper Proof system with synthetic grease, never fill hubcap with grease.

Bolt on hubcaps

- Lockwashers of the split, conical or internal toothed design may be used in conjunction with the fastening bolts. **Do not use flat washers.**
- Thread all bolts loosely, then tighten down bolts uniformly in a star pattern per the following recommended torque values:

TF (Zytel®) hubcap with embedded metal ring	12-16 lbs./ft.
Stamped steel hubcaps	10-14 lbs./ft.
Plastic hubcap with external metal ring	6-10 lbs./ft

Threaded hubcaps

- Lightly lubricate the threads of the hubcap and the O-ring with the lubricant that is being retained.
- Install the O-ring onto the hubcap.
- Install the hubcap assembly onto the hub.
- Using an 8-point 4 13/16" opening x 4 1/4" high socket, torque to the following recommended values:

Lexan®	60-70 lbs./ft.
--------	----------------

Oil fill procedure

Through center fill port

- Fill wheel end assembly through center fill port with the specified grade of oil. Wheel hub configurations vary, allowing different amounts of oil to be added depending on design. Allow for the oil to seep through the outer bearing and fill the hub cavity. Continue to add oil until the oil reaches the oil level fill line as indicated on the hubcap.



- Install center fill hubcap plug.

Through side fill port

- Fill wheel end assembly through side fill port with the specified grade of oil. Wheel hub configurations vary, allowing different amounts of oil to be added depending on design. Allow for the oil to seep through the outer bearing and fill the hub cavity. During this fill operation, **do not allow the oil to go above the centerline or weep hole.** This may result in a weeping condition that may be perceived as a leaking hubcap. Continue to add oil until the oil reaches the oil level line as indicated on the hubcap.
- Install side fill hubcap plug per the following recommended torque values:

3/8" - 18 NPT Pipe Plug	100-140 lbs./in.
3/4" - 16 UNF (Zytel) Side Fill Plug	15-25 lbs./in.

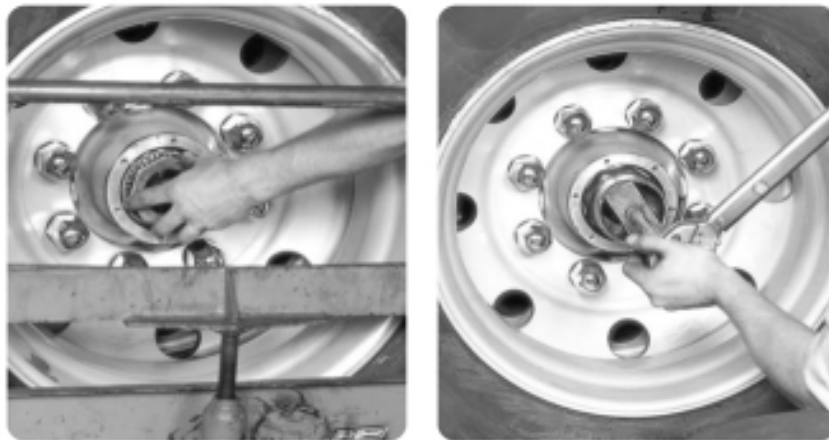
Clean up any overspills that would give the appearance of a leaky hubcap.

Grease fill: See TMC RP631

"Recommendations for Wheel End Lubrication" and the vehicle manufacturer's recommendation for proper fill procedure.

Zytel is a DuPont material.
Lexan is a GE material.

Wheel bearing and end play adjustment procedures



Wheel bearing adjustment procedure¹

Step 1: Lubricate the wheel bearing with clean axle lubricant of the same type used in the axle sump or hub assembly.
Note: Never use an impact wrench when tightening or loosening lug nuts or bolts during the procedure.

Initial adjusting nut torque	Initial back off	Final adjusting nut torque	Back off			Jam nut torque		Acceptable end play
			Axle type	Threads per inch	Final back off	Nut size	Torque specifications	
Step 2	Step 3	Step 4		Step 5	Step 6	Step 7		Step 8
200 lb•ft (271 N•m) While rotating wheels	One full turn	50 lb•ft (68 N•m) While rotating wheels	Steer (front) non-drive	12	1/6 turn*	Install cotter pin to lock axle nut in position		.001"-.005" (.025mm-.127mm) As measured per procedure with dial indicator
				18	1/4 turn*			
				14	1/2 turn	Less than 2 5/8" (66.7mm)	200-300 lb•ft (271-407 N•m)	
				18				
			Drive	12	1/4 turn	Dowel type washer	300-400 lb•ft (407-542 N•m)	
				16		Tang type washer**	200-275 lb•ft (271-373 N•m)	
			Trailer	12	1/4 turn	2 5/8" (66.7mm) and over	300-400 lb•ft (407-542 N•m)	
				16				

* If dowel pin and washer (or washer tang and nut flat) are not aligned, remove the washer, turn it over, and reinstall. If required, loosen the inner (adjusting) nut just enough for alignment.

** Bendable type washer lock only: Secure nuts by bending one wheel nut washer tang over the inner and outer nut. Bend the tangs over the closest flat perpendicular to the hang.

Printed with permission of the TMC, Reference RP618

¹ For ConMet® PreSet® hubs:

With single nut: 300 lb•ft. **Do not back off.**

With two-piece nut: Inner nut 300 lb•ft, outer nut 200 lb•ft. **Do not back off.**

Wheel bearing end play verification

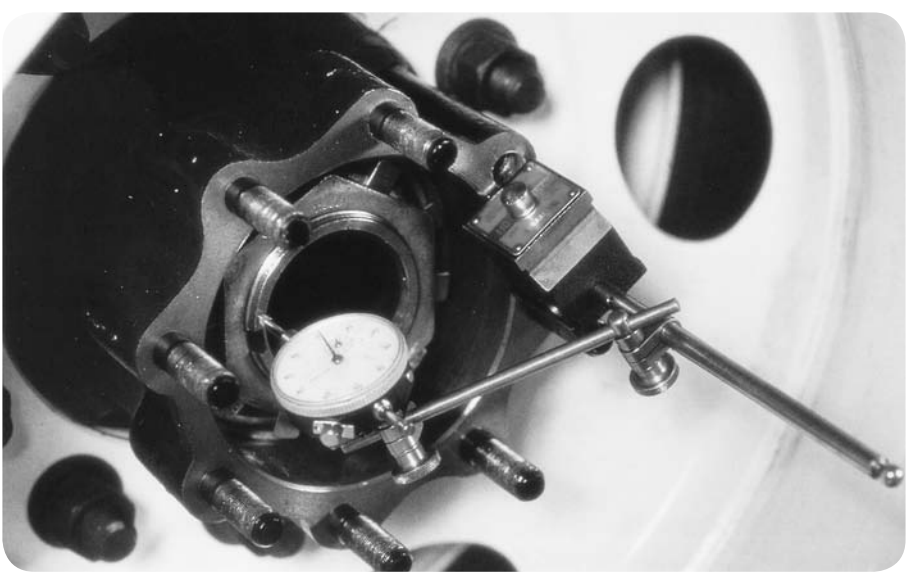
Wheel bearing end play is the free movement of the wheel assembly along the spindle axis. It is recommended, for verification purposes, that wheel bearing end play be measured with a dial indicator. (Example in photo below)

1. Make sure the brake drum to hub fasteners are tightened to the manufacturers' specifications.
2. Attach a dial indicator with its magnetic base at the bottom of the hub or brake drum.
3. Adjust the dial indicator so that its plunger or pointer is against the end of the spindle with its line of action approximately parallel to the axis of the spindle.

Note: For aluminum hubs, attach the magnetic base of the indicator to the end of the spindle with the plunger against the hub or brake drum.

4. Set the dial indicator to zero by rotating the gauge face so the zero mark lines up with the gauge needle. For digital indicators, push the zero-out button.
5. Grasp the wheel assembly at the 3 o'clock and 9 o'clock positions, while oscillating it to seat the bearings. Read bearing end play as the total indicator movement.

Note: If end play is not within specifications, refer to the readjustment procedure of SKF technical bulletin No. TBF 9301.



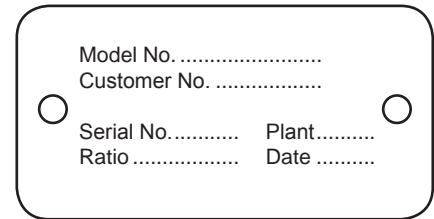
Printed with permission of the TMC, Reference RP618.

Axle identification

Current design Front, Rear, Pusher, Tag and Trailer axles can be identified by an alphabetical, numerical or alpha numeric axle code. The various letters and numbers indicate the size (capacity), type (model), brake system and various modifications.

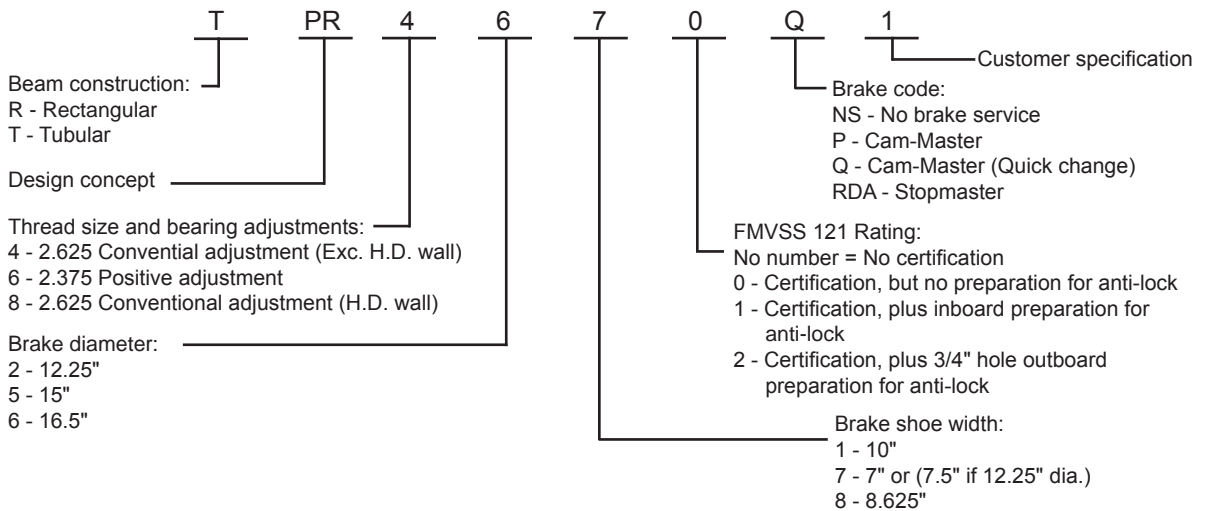
To identify your axle model:

1. Refer to the I.D. tag fixed to the axle beam (housing) or axle carrier.
2. Refer to the stamping located on the rear of the axle beam (housing) or the axle carrier.
3. Refer to the truck Bill of Material, Broadcast Sheet, Certification Label, Line Ticket, Service Parts I.D. Tag, Specification List or Vehicle Data Plate. This type of identification is located inside the cab or attached to the cab door. The data represents only the equipment on the vehicle when it was shipped from the factory.

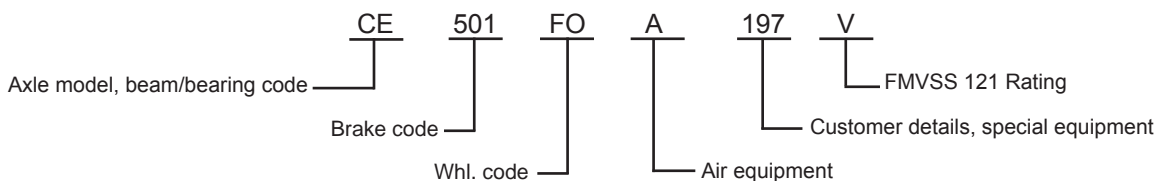


Example of the I.D. tag

Trailer axle identification Rockwell-Standard (Timken)



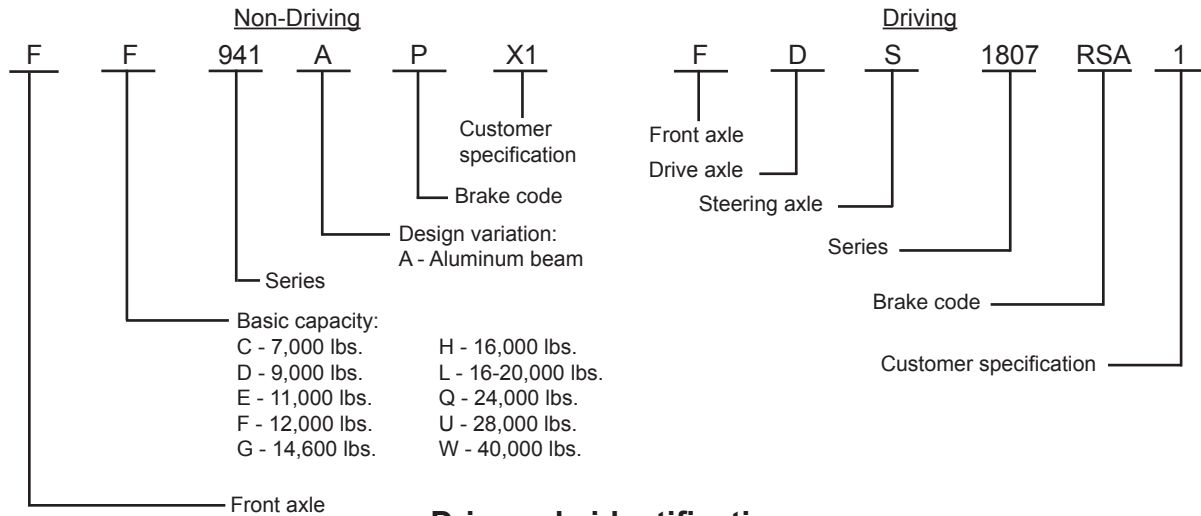
Shuler (Eaton)



Axle identification - (cont.)

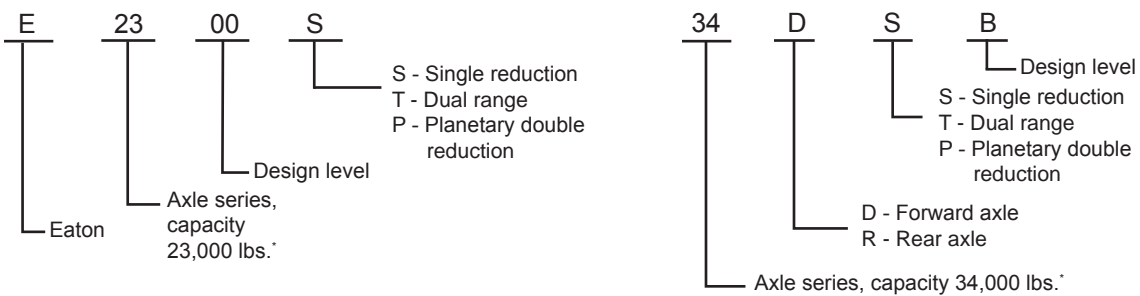
Front axle identification

Rockwell-Standard (Timken)

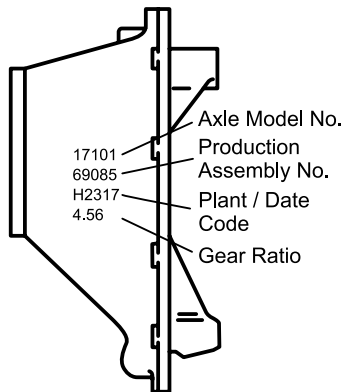


Drive axle identification

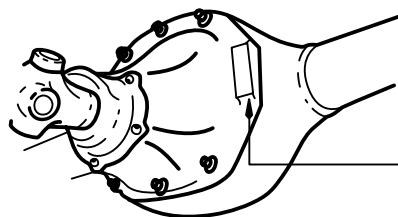
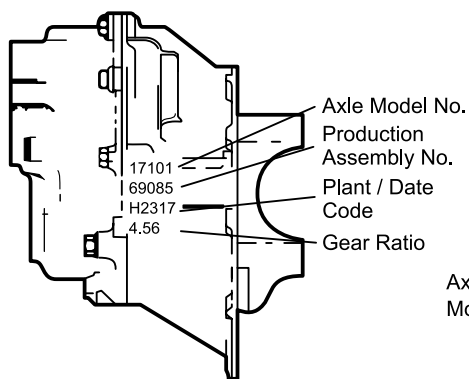
Eaton



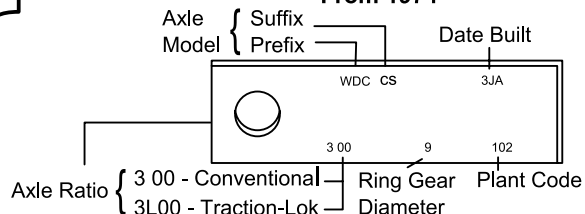
Top View



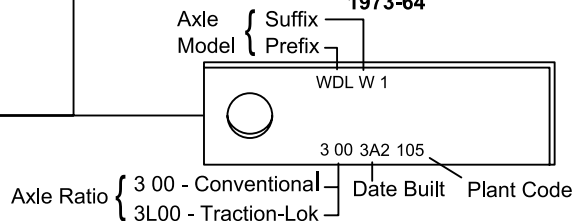
Side View



From 1974

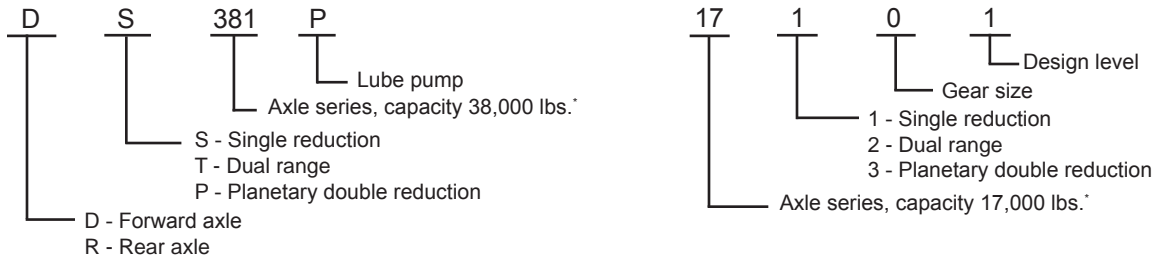


1973-64



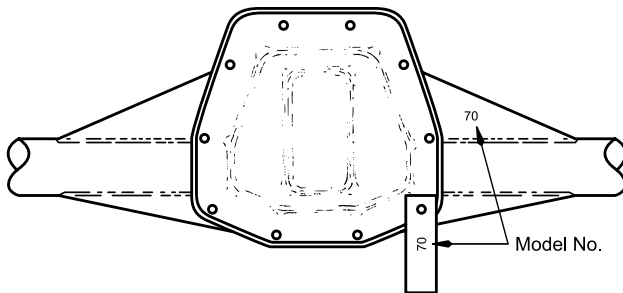
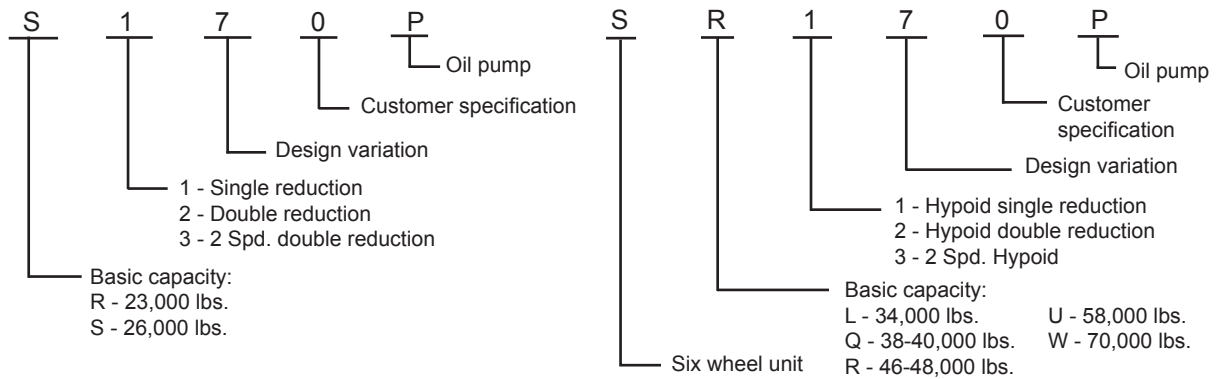
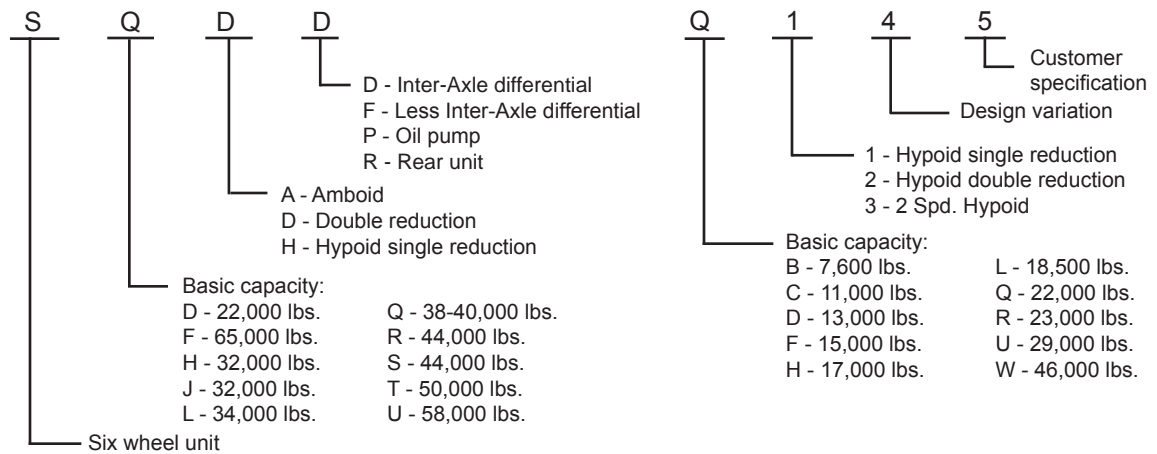
Axle identification - (cont.)

Drive axle identification (Continued) Eaton (Continued)



*Note: Axle capacity is not always exactly represented by this number, i.e. 17201 = 19,000 lbs.

Rockwell-Standard (Timken)



Spicer (Dana)

All Spicer axles are identified with a model number. The model number is cast on the bottom right hand side of the housing.

Note: Axle capacities referred to in this catalog are based on manufacturer specifications "Ground Loading Capacities". Installation of components with a higher capacity does not increase the axle capacity; however, installation of a lesser capacity does reduce the overall capacity.

Manufacturers index

Manufacturer	Section	Pg. No.	Manufacturer	Section	Pg. No.
Al-Ko Kober	Trailer	81	Standard Forge	Trailer	102
Allison	Trailer	81	Stoughton Trailers Inc.	Trailer	See Axle Mfr.
Alloy Trailer Inc.	Trailer	See Axle Mfr.	Strick Corp.	Trailer	See Axle Mfr.
American Trailer Co.	Trailer	See Axle Mfr.	Sudisa	Trailer	103
ArvinMeritor	Trailer	81	Theurer Atlantic	Trailer	See Axle Mfr.
Black Diamond	Trailer	See Axle Mfr.	Timken	Trailer	See ArvinMeritor Standard
Brown Trailer Inc.	Trailer	See Clark	Timpte	Trailer	See Axle Mfr.
Budd Co.	Trailer	See Axle Mfr.	Trailmobile	Trailer	See Axle Mfr.
Callahan Trailer Inc.	Trailer	See Axle Mfr.	Trailer	Trailer	104
Challenge-Cook Bros.	Trailer	See Axle Mfr.	Trunnion	Trailer	104
Chevrolet	Trailer	See GMC	Utility Equip.	Trailer	104
Clark Equip.	Trailer	84	Volvo	Trailer	105
Comet Trailer	Trailer	See Axle Mfr.	Vulcan Trailer	Trailer	See Axle Mfr.
Convento Trailer	Trailer	See Axle Mfr.	Wabash National Corp.	Trailer	See Axle Mfr.
Dakota Trailer Co.	Trailer	See Axle Mfr.	Webb	Trailer	See Axle Mfr.
Delphos	Trailer	85	Westport	Trailer	105
Dexter	Trailer	85	White	Trailer	105
Dorsey Trailers Inc.	Trailer	See Axle Mfr.	Wilson Trailer Co.	Trailer	See Axle Mfr.
Dryson	Trailer	86	ACF Truck	Front	106
Eaton	Trailer	86	Aerocoach	Front	See Axle Mfr.
Erie	Trailer	See Axle Mfr.	American LaFrance	Front	See Axle Mfr.
Fontaine Truck	Trailer	See Axle Mfr.	ArvinMeritor (School Bus)	Front	106
Ford	Trailer	89	ArvinMeritor Standard	Front	107
Fruehauf/Pro-Par	Trailer	89	Autocar	Front	See Axle Mfr.
GMC	Trailer	89	Available	Front	See Axle Mfr.
Great Dane	Trailer	See Axle Mfr.	Bluebird Body Co.	Front	See Axle Mfr.
Hadco	Trailer	90	Boyertown Auto Body Co.	Front	See Axle Mfr.
HammerBlow	Trailer	90	Brockway	Front	See Axle Mfr.
Hayes	Trailer	90	Brown	Front	See Axle Mfr.
Heil Co.	Trailer	See Axle Mfr.	Capacity	Front	See Axle Mfr.
Hendrickson	Trailer	91	Champion Motors	Front	See Axle Mfr.
Hobbs Trailer	Trailer	See Axle Mfr.	Chevrolet	Front	See GMC
IHC	Trailer	See Navistar	Clark Axle	Front	115
Ingersoll	Trailer	91	Coleman	Front	115
Kay-Brunner	Trailer	93	Correct Mfg. Co.	Front	See Axle Mfr.
KGI Limited	Trailer	93	Crane Carrier	Front	See Axle Mfr.
Kelsey Hayes Co.	Trailer	94	Crown Coach	Front	See Axle Mfr.
Kentucky Mfg.	Trailer	See Axle Mfr.	Dana	Front	See Spicer
Kenworth	Trailer	94	Dart Truck Co.		
Kershaw	Trailer	94	(Div. of Paccar)	Front	See Axle Mfr.
La Crosse	Trailer	95	Daybrook Ottawa	Front	See Axle Mfr.
Lufkin Trailer	Trailer	See Axle Mfr.	Diamond Reo	Front	See Axle Mfr.
Mack	Trailer	95	Diamond T	Front	See Axle Mfr.
Matlock Trailer	Trailer	See Axle Mfr.	Dodge	Front	116
Miller Trailer	Trailer	See Axle Mfr.	Duplex	Front	See Axle Mfr.
Monon	Trailer	See Axle Mfr.	Eagle	Front	See Axle Mfr.
Moss Gear	Trailer	95	Eagle (Transit Bus)	Front	117
Motor Wheel	Trailer	See Axle Mfr.	Eaton	Front	117
Nabors Trailer	Trailer	96	FWD	Front	118
Navistar	Trailer	96	FWD Truck	Front	118
Ohio Body Mfg.	Trailer	See Axle Mfr.	Fabco	Front	118
Palmer	Trailer	97	Fargo	Front	See Axle Mfr.
Pines Trailer	Trailer	See Axle Mfr.	Federal Motors	Front	See Axle Mfr.
Polar American	Trailer	See Axle Mfr.	Flex-True	Front	See Axle Mfr.
Prior	Trailer	97	Flxible	Front	See Axle Mfr.
R.O.R.	Trailer	98	Flxible (Transit Bus)	Front	119
Ravens Metal Products	Trailer	See Axle Mfr.	Ford	Front	119
Reliance Trailer Mfr.	Trailer	See Axle Mfr.	Ford (School Bus)	Front	123
Rockwell	Trailer	See ArvinMeritor	Freightliner	Front	See Axle Mfr.
Rogers Bros.	Trailer	98	GMC	Front	124
Rogers Bros. Corp.	Trailer	See Axle Mfr.	GMC Truck	Front	126
Sauer	Trailer	98	GMC/Chev		
Sauer (Otto)	Trailer	99	(School Bus)	Front	126
Schuler Mfg. & Equip.	Trailer	See Eaton	GMC Truck	Front	127
Spencer	Trailer	99	GMC/Chev (School Bus)	Front	127
Spicer	Trailer	99	Harnischfeger	Front	See Axle Mfr.

Manufacturers index - (cont.)

Manufacturer	Section	Pg. no.	Manufacturer	Section	Pg. no.
Hayes	Front	See Axle Mfr.	Flex-True	Drive	See Axle Mfr.
Hino	Front	128	Flxible	Drive	195
Ibex	Front	See Axle Mfr.	Flxible (Transit Bus)	Drive	195
IHC	Front	See Navistar	Freightliner	Drive	196
Ikarus-Crown			GMC	Drive	196
(Transit Bus)	Front	128	GMC Truck	Drive	201
Isuzu	Front	129	Gruman	Drive	201
Iveco	Front	129	Harnischfeger	Drive	See Axle Mfr.
Kenworth	Front	See Axle Mfr.	Hayes	Drive	See Axle Mfr.
Mack	Front	130	Hendrickson	Drive	201
Mack Midliner	Front	133	Hino	Drive	202
Magirus	Front	134	Ibex	Drive	See Axle Mfr.
Magirus Deutz	Front	See Magirus	IHC	Drive	See Navistar
Magirus Truck	Front	134	Ikarus-Crown	Drive	202
Marmon-Herrington	Front	134	Isuzu	Drive	203
Mercedes-Benz	Front	135	Iveco	Drive	203
Mitsubishi Fuso	Front	135	Kenworth Truck	Drive	204
Navistar	Front	136	Mack	Drive	204
Navistar (School Bus)	Front	140	Mack Midliner	Drive	209
Oshkosh	Front	141	Magirus	Drive	209
Peterbilt	Front	See Axle Mfr.	MAN	Drive	210
REO	Front	See Axle Mfr.	Marmon-Herrington	Drive	210
Rockwell	Front	See ArvinMeritor	Mercedes Benz	Drive	210
Spicer	Front	142	Mitsubishi Fuso	Drive	211
Sterling Truck	Front	145	Navistar	Drive	211
Twin Coach Truck	Front	145	Navistar School Bus	Drive	218
United Diesel	Front	See Nissan	Navistar Truck	Drive	218
Volvo	Front	145	Nissan	Drive	218
Volvo / GMC	Front	See Axle Mfr.	Oshkosh	Drive	219
Walter Equip.	Front	See Axle Mfr.	Peterbilt	Drive	219
Ward LaFrance	Front	146	Peterbilt Truck	Drive	220
Western Star	Front	See Axle Mfr.	Rockwell	Drive	See ArvinMeritor
Westport	Front	146	SISU	Drive	220
White	Front	146	Spicer	Drive	221
ACF	Drive	149	Sterling	Drive	223
Aerocoach	Drive	149	Superior	Drive	224
American LaFrance	Drive	See Axle Mfr.	Twin Coach	Drive	224
ArvinMeritor Standard	Drive	150	United Diesel	Drive	See Nissan
ArvinMeritor (School Bus)	Drive	169	Volvo	Drive	224
Autocar	Drive	169	Ward LaFrance	Drive	225
Available	Drive	170	White	Drive	226
Bluebird	Drive	See Axle Mfr.			
Boyertown	Drive	See Axle Mfr.			
Brockway Axle	Drive	171			
Brockway Truck	Drive	171			
Brown	Drive	171			
Capacity	Drive	See Axle Mfr.			
Champion Motors	Drive	See Axle Mfr.			
Chevrolet	Drive	See GMC			
Clark	Drive	172			
Coleman	Drive	172			
Crane Carrier	Drive	See Axle Mfr.			
Crown Coach	Drive	See Axle Mfr.			
Dana	Drive	See Spicer			
Dart	Drive	See Axle Mfr.			
Daybrook Ottawa	Drive	See Axle Mfr.			
Diamond Reo	Drive	See Axle Mfr.			
Diamond T	Drive	173			
Divco (Correct Mfg. Co.)	Drive	See Axle Mfr.			
Dodge	Drive	174			
Duplex	Drive	175			
Eagle	Drive	See Axle Mfr.			
Eaton	Drive	176			
FWD	Drive	194			
Fargo	Drive	See Axle Mfr.			
Federal	Drive	195			

APPLICATIONS

TRAILER, TAG & PUSH AXLES

FRONT AXLES

DRIVE AXLES

PINION SEALS

CONMET®

LIGHT TRUCK

Axle numerical listing

Axle	Manufacturer	Section	Pg. no.	Axle	Manufacturer	Section	Pg. no.
10K	Al-Ko Kober	Trailer	81	TM22500	ArvinMeritor Standard	Trailer	82
12K	Al-Ko Kober	Trailer	81	TN Series	ArvinMeritor Standard	Trailer	82
16K	Al-Ko Kober	Trailer	81	TN4270	ArvinMeritor Standard	Trailer	82
D-80	Al-Ko Kober	Trailer	81	TN4560	ArvinMeritor Standard	Trailer	82
H-80	Al-Ko Kober	Trailer	81	TN4570	ArvinMeritor Standard	Trailer	82
K-80	Al-Ko Kober	Trailer	81	TN4610	ArvinMeritor Standard	Trailer	82
T-80	Al-Ko Kober	Trailer	81	TN4680	ArvinMeritor Standard	Trailer	82
AL10000	Allison	Trailer	81	TN6270	ArvinMeritor Standard	Trailer	82
AL10001	Allison	Trailer	81	TN6560	ArvinMeritor Standard	Trailer	82
AL10010	Allison	Trailer	81	TN6570	ArvinMeritor Standard	Trailer	82
AL10011	Allison	Trailer	81	TN6610	ArvinMeritor Standard	Trailer	82
AL7500	Allison	Trailer	81	TN6670	ArvinMeritor Standard	Trailer	82
AL7501	Allison	Trailer	81	TN6680	ArvinMeritor Standard	Trailer	82
AL7510	Allison	Trailer	81	TNC Series	ArvinMeritor Standard	Trailer	82
AL7511	Allison	Trailer	81	TND Series	ArvinMeritor Standard	Trailer	82
AL9000	Allison	Trailer	81	TP Series	ArvinMeritor Standard	Trailer	82
AL9001	Allison	Trailer	81	TP4670	ArvinMeritor Standard	Trailer	82
AL9011	Allison	Trailer	81	TP4680	ArvinMeritor Standard	Trailer	82
BUS TAG	ArvinMeritor Standard	Trailer	81	TP6670	ArvinMeritor Standard	Trailer	82
FV Series	ArvinMeritor Standard	Trailer	81	TP6680	ArvinMeritor Standard	Trailer	82
JWVC	ArvinMeritor Standard	Trailer	81	TP8670	ArvinMeritor Standard	Trailer	82
RL Series	ArvinMeritor Standard	Trailer	81	TQ Series	ArvinMeritor Standard	Trailer	82
RN Series	ArvinMeritor Standard	Trailer	81	TQ4270	ArvinMeritor Standard	Trailer	82
RQ Series	ArvinMeritor Standard	Trailer	81	TQ4670	ArvinMeritor Standard	Trailer	82
RX180	ArvinMeritor Standard	Trailer	81	TQC	ArvinMeritor Standard	Trailer	82
SLHR	ArvinMeritor Standard	Trailer	81	TQD Series	ArvinMeritor Standard	Trailer	82
T-11301	ArvinMeritor Standard	Trailer	81	TR	ArvinMeritor Standard	Trailer	82
T11311	ArvinMeritor Standard	Trailer	81	TR Series	ArvinMeritor Standard	Trailer	82
T13	ArvinMeritor Standard	Trailer	81	TR4560	ArvinMeritor Standard	Trailer	82
T14	ArvinMeritor Standard	Trailer	81	TR4670	ArvinMeritor Standard	Trailer	82
T14000	ArvinMeritor Standard	Trailer	81	TR767	ArvinMeritor Standard	Trailer	82
T17	ArvinMeritor Standard	Trailer	81	TR8670	ArvinMeritor Standard	Trailer	82
T17000	ArvinMeritor Standard	Trailer	81	TR8870	ArvinMeritor Standard	Trailer	82
T17029	ArvinMeritor Standard	Trailer	81	TR9670	ArvinMeritor Standard	Trailer	82
T17127	ArvinMeritor Standard	Trailer	81	TR9870	ArvinMeritor Standard	Trailer	82
T17129	ArvinMeritor Standard	Trailer	81	TRD	ArvinMeritor Standard	Trailer	82
T17227	ArvinMeritor Standard	Trailer	81	TRD Series	ArvinMeritor Standard	Trailer	82
T17229	ArvinMeritor Standard	Trailer	81	TT Series	ArvinMeritor Standard	Trailer	82
T17237	ArvinMeritor Standard	Trailer	81	TT9670	ArvinMeritor Standard	Trailer	82
T18	ArvinMeritor Standard	Trailer	81	TT9870	ArvinMeritor Standard	Trailer	82
T18127	ArvinMeritor Standard	Trailer	81	TU Series	ArvinMeritor Standard	Trailer	82
T20	ArvinMeritor Standard	Trailer	81	TW Series	ArvinMeritor Standard	Trailer	82
T2000	ArvinMeritor Standard	Trailer	81	TWVC	ArvinMeritor Standard	Trailer	82
T-2067	ArvinMeritor Standard	Trailer	81	18000 lbs.	Clark Equip.	Trailer	84
T25	ArvinMeritor Standard	Trailer	81	20000 lbs.	Clark Equip.	Trailer	84
TH Series	ArvinMeritor Standard	Trailer	81	ND18000	Clark Equip.	Trailer	84
THD Series	ArvinMeritor Standard	Trailer	82	ND20000	Clark Equip.	Trailer	84
TK Series	ArvinMeritor Standard	Trailer	82	ND-7	Clark Equip.	Trailer	84
TK4270	ArvinMeritor Standard	Trailer	82	DD	Delphos	Trailer	85
TK4670	ArvinMeritor Standard	Trailer	82	PD	Delphos	Trailer	85
TK6680	ArvinMeritor Standard	Trailer	82	PP	Delphos	Trailer	85
TKD Series	ArvinMeritor Standard	Trailer	82	10000	Dexter	Trailer	85
TKL Series	ArvinMeritor Standard	Trailer	82	10D	Dexter	Trailer	85
TKLD	ArvinMeritor Standard	Trailer	82	10G	Dexter	Trailer	85
TKLD Series	ArvinMeritor Standard	Trailer	82	12000	Dexter	Trailer	85
TKN Series	ArvinMeritor Standard	Trailer	82	12D	Dexter	Trailer	85
TKN6270	ArvinMeritor Standard	Trailer	82	15000	Dexter	Trailer	85
TKN6570	ArvinMeritor Standard	Trailer	82	15D	Dexter	Trailer	85
TKN6610	ArvinMeritor Standard	Trailer	82	20000	Dexter	Trailer	85
TKN6670	ArvinMeritor Standard	Trailer	82	20D	Dexter	Trailer	85
TKNC Series	ArvinMeritor Standard	Trailer	82	22500	Dexter	Trailer	85
TKND	ArvinMeritor Standard	Trailer	82	225D	Dexter	Trailer	85
TKP Series	ArvinMeritor Standard	Trailer	82	9G	Dexter	Trailer	85
TL Series	ArvinMeritor Standard	Trailer	82	D200K	Dexter	Trailer	85
TLD Series	ArvinMeritor Standard	Trailer	82	D225K	Dexter	Trailer	85
TM Series	ArvinMeritor Standard	Trailer	82	D250K	Dexter	Trailer	85
TM20000	ArvinMeritor Standard	Trailer	82	D2H12	Dexter	Trailer	85

Axle numerical listing - (cont.)

Axle	Manufacturer	Section	Pg.	Axle	Manufacturer	Section	Pg.
D2H16	Dexter	Trailer	85	T144576	Eaton	Trailer	86
D2L12	Dexter	Trailer	85	T14D	Eaton	Trailer	86
D2L16	Dexter	Trailer	85	T18	Eaton	Trailer	86
D2M12	Dexter	Trailer	85	T18A	Eaton	Trailer	86
D2M16	Dexter	Trailer	85	T18B	Eaton	Trailer	86
22000 lbs.	Dryson	Trailer	86	T18C	Eaton	Trailer	86
20L	Eaton	Trailer	86	T18D266	Eaton	Trailer	86
20L77	Eaton	Trailer	86	T20L	Eaton	Trailer	86
225D	Eaton	Trailer	86	T20L77	Eaton	Trailer	86
225P	Eaton	Trailer	86	T21	Eaton	Trailer	86
22L	Eaton	Trailer	86	T-21D	Eaton	Trailer	86
22R	Eaton	Trailer	86	T22L	Eaton	Trailer	86
23L	Eaton	Trailer	86	T23L	Eaton	Trailer	86
23L501	Eaton	Trailer	86	T24L	Eaton	Trailer	86
23R	Eaton	Trailer	86	T25	Eaton	Trailer	86
24L	Eaton	Trailer	86	T256000	Eaton	Trailer	86
25LD	Eaton	Trailer	86	T9	Eaton	Trailer	86
25LD501	Eaton	Trailer	86	T9AD	Eaton	Trailer	86
25R	Eaton	Trailer	86	W	Eaton	Trailer	87
25RD	Eaton	Trailer	86	18000	Ford	Trailer	89
34RT	Eaton	Trailer	86	No. 10	Fruehauf/Pro-Par	Trailer	89
A	Eaton	Trailer	86	No. 5	Fruehauf/Pro-Par	Trailer	89
B	Eaton	Trailer	86	No. 5 Before 1960	Fruehauf/Pro-Par	Trailer	89
C	Eaton	Trailer	86	Pro-Par	Fruehauf/Pro-Par	Trailer	89
C07LA3	Eaton	Trailer	86	RS23180	GMC	Trailer	89
C2	Eaton	Trailer	86	RX180	GMC	Trailer	89
CB	Eaton	Trailer	86	T-11311	GMC	Trailer	89
CD	Eaton	Trailer	86	TK560	GMC	Trailer	89
CD2	Eaton	Trailer	86	120 Series	Hadco	Trailer	90
CE	Eaton	Trailer	86	385 Series	Hadco	Trailer	90
CR	Eaton	Trailer	86	70 Series	Hadco	Trailer	90
CZ	Eaton	Trailer	86	7M Series	Hadco	Trailer	90
D	Eaton	Trailer	86	85 Series	Hadco	Trailer	90
DE	Eaton	Trailer	86	12000 lbs.	HammerBlow	Trailer	90
DH	Eaton	Trailer	86	10K	Hayes	Trailer	90
DWL1	Eaton	Trailer	86	12K	Hayes	Trailer	90
E	Eaton	Trailer	86	16K	Hayes	Trailer	90
ED	Eaton	Trailer	86	90249	Hayes	Trailer	90
EH	Eaton	Trailer	86	D-80	Hayes	Trailer	90
ERA225J	Eaton	Trailer	86	H-80	Hayes	Trailer	90
ETA225J	Eaton	Trailer	86	K-80	Hayes	Trailer	90
ETA230C	Eaton	Trailer	86	K-80P	Hayes	Trailer	90
H	Eaton	Trailer	86	T-80	Hayes	Trailer	90
H25LD	Eaton	Trailer	86	AAEDL	Hendrickson	Trailer	91
HC	Eaton	Trailer	86	AAEDT	Hendrickson	Trailer	91
HCE	Eaton	Trailer	86	AAL	Hendrickson	Trailer	91
HD	Eaton	Trailer	86	AANLS	Hendrickson	Trailer	91
HJ	Eaton	Trailer	86	AAT	Hendrickson	Trailer	91
HJE	Eaton	Trailer	86	AAZL	Hendrickson	Trailer	91
HR25	Eaton	Trailer	86	AAZNT	Hendrickson	Trailer	91
J	Eaton	Trailer	86	A15S	Ingersoll	Trailer	91
J501	Eaton	Trailer	86	A19	Ingersoll	Trailer	91
JE	Eaton	Trailer	86	A19H	Ingersoll	Trailer	91
JH	Eaton	Trailer	86	A19S	Ingersoll	Trailer	91
K	Eaton	Trailer	86	A21S	Ingersoll	Trailer	91
KB19	Eaton	Trailer	86	A22	Ingersoll	Trailer	91
LA15	Eaton	Trailer	86	A22H	Ingersoll	Trailer	91
N	Eaton	Trailer	86	A22S	Ingersoll	Trailer	91
ND	Eaton	Trailer	86	A24	Ingersoll	Trailer	91
R-909	Eaton	Trailer	86	A24P	Ingersoll	Trailer	91
T	Eaton	Trailer	86	A26	Ingersoll	Trailer	91
T14	Eaton	Trailer	86	A26S	Ingersoll	Trailer	91
T144500	Eaton	Trailer	86	A45S	Ingersoll	Trailer	91
T144519	Eaton	Trailer	86	A65S	Ingersoll	Trailer	91
T144545	Eaton	Trailer	86	DC19	Ingersoll	Trailer	91
T144566	Eaton	Trailer	86	DC22	Ingersoll	Trailer	91
T144575	Eaton	Trailer	86	DC23	Ingersoll	Trailer	91

APPLIANCE

TRAILER, TAG & PUSH AXLES

FRONT AXLES

DRIVE AXLES

PINION SEALS

CONMET®

LIGHT TRUCK

Axle numerical listing - (cont.)

Axle	Manufacturer	Section	Pg. no.	Axle	Manufacturer	Section	Pg. no.
DC24	Ingersoll	Trailer	91	RA437	Navistar	Trailer	96
F12	Ingersoll	Trailer	91	RA438	Navistar	Trailer	96
F19	Ingersoll	Trailer	91	RA439	Navistar	Trailer	96
F19H	Ingersoll	Trailer	91	RA441	Navistar	Trailer	96
F19S	Ingersoll	Trailer	91	RA560	Navistar	Trailer	96
F22	Ingersoll	Trailer	91	RA570	Navistar	Trailer	96
F22H	Ingersoll	Trailer	91	RA571	Navistar	Trailer	96
F22S	Ingersoll	Trailer	91	T18	Palmer	Trailer	97
F22T	Ingersoll	Trailer	91	10000 lbs.	Prior	Trailer	97
F23	Ingersoll	Trailer	91	H1600	R.O.R.	Trailer	98
F23H	Ingersoll	Trailer	91	TK Series	R.O.R.	Trailer	98
F23S	Ingersoll	Trailer	91	TKL Series	R.O.R.	Trailer	98
F24	Ingersoll	Trailer	91	TL20000	R.O.R.	Trailer	98
F24H	Ingersoll	Trailer	91	TM22000	R.O.R.	Trailer	98
F24S	Ingersoll	Trailer	91	U20000	R.O.R.	Trailer	98
F24T	Ingersoll	Trailer	91	UT2010P	R.O.R.	Trailer	98
10000 lbs.	Kay-Brunner	Trailer	93	UT2010Q	R.O.R.	Trailer	98
KB19	Kay-Brunner	Trailer	93	UT2070	R.O.R.	Trailer	98
KB4	Kay-Brunner	Trailer	93	RHLS	Sauer	Trailer	98
KB5	Kay-Brunner	Trailer	93	RLZ10041	Sauer	Trailer	98
KB6	Kay-Brunner	Trailer	93	RZ10041	Sauer	Trailer	98
KB7	Kay-Brunner	Trailer	93	RZ14242	Sauer	Trailer	98
KB8	Kay-Brunner	Trailer	93	16000 lbs.	Sauer (Otto)	Trailer	99
KBS	Kay-Brunner	Trailer	93	20000 lbs.	Sauer (Otto)	Trailer	99
KBW	Kay-Brunner	Trailer	93	22000 lbs.	Sauer (Otto)	Trailer	99
S37	Kay-Brunner	Trailer	93	23000 lbs.	Sauer (Otto)	Trailer	99
T11	Kay-Brunner	Trailer	93	209	Spencer	Trailer	99
T-11	Kay-Brunner	Trailer	93	309	Spencer	Trailer	99
T145	Kay-Brunner	Trailer	93	408	Spencer	Trailer	99
T18W	Kay-Brunner	Trailer	93	409	Spencer	Trailer	99
T21	Kay-Brunner	Trailer	93	509	Spencer	Trailer	99
T27	Kay-Brunner	Trailer	93	20L	Spicer	Trailer	99
T37	Kay-Brunner	Trailer	93	20L-77	Spicer	Trailer	99
XHT21	Kay-Brunner	Trailer	93	21D	Spicer	Trailer	99
K250	KGI Limited	Trailer	93	22L	Spicer	Trailer	99
KG225	KGI Limited	Trailer	93	22R	Spicer	Trailer	99
10000 lbs.	Kelsey Hayes	Trailer	94	23L	Spicer	Trailer	99
8QHD(SQHD)	Kenworth	Trailer	94	23L501	Spicer	Trailer	99
K14	Kershaw	Trailer	94	23R	Spicer	Trailer	99
K20	Kershaw	Trailer	94	24L	Spicer	Trailer	99
K21	Kershaw	Trailer	94	25LD	Spicer	Trailer	99
K22	Kershaw	Trailer	94	25LD-501	Spicer	Trailer	99
K25	Kershaw	Trailer	94	25R	Spicer	Trailer	99
K30	Kershaw	Trailer	94	25RD	Spicer	Trailer	99
K45	Kershaw	Trailer	94	A	Spicer	Trailer	99
K65	Kershaw	Trailer	94	A45	Spicer	Trailer	99
SD5105	La Crosse	Trailer	95	A65	Spicer	Trailer	99
SWDR-48	Mack	Trailer	95	B	Spicer	Trailer	99
SWDR-49	Mack	Trailer	95	C	Spicer	Trailer	99
5B715M	Moss Gear	Trailer	95	C-07LA3	Spicer	Trailer	100
TM20000	Moss Gear	Trailer	95	C2	Spicer	Trailer	100
TM22500	Moss Gear	Trailer	95	C2D	Spicer	Trailer	100
NU	Nabors	Trailer	96	CB	Spicer	Trailer	100
RA400	Navistar	Trailer	96	CD	Spicer	Trailer	100
RA410	Navistar	Trailer	96	CE	Spicer	Trailer	100
RA411	Navistar	Trailer	96	D	Spicer	Trailer	100
RA417	Navistar	Trailer	96	D10	Spicer	Trailer	100
RA418	Navistar	Trailer	96	D14	Spicer	Trailer	100
RA420	Navistar	Trailer	96	D21	Spicer	Trailer	100
RA421	Navistar	Trailer	96	D22	Spicer	Trailer	100
RA422	Navistar	Trailer	96	DD21	Spicer	Trailer	100
RA423	Navistar	Trailer	96	DD22	Spicer	Trailer	100
RA424	Navistar	Trailer	96	DE	Spicer	Trailer	100
RA426	Navistar	Trailer	96	DH	Spicer	Trailer	100
RA429	Navistar	Trailer	96	DWL1	Spicer	Trailer	100
RA431	Navistar	Trailer	96	E	Spicer	Trailer	100
RA432	Navistar	Trailer	96	ED	Spicer	Trailer	100

Axle numerical listing - (cont.)

Axle	Manufacturer	Section	Pg.	Axle	Manufacturer	Section	Pg.
EH.....	Spicer	Trailer	100	A135.....	Standard Forge	Trailer	102
ESR225J.....	Spicer	Trailer	100	A13S.....	Standard Forge	Trailer	102
ESR225P.....	Spicer	Trailer	100	A15.....	Standard Forge	Trailer	102
ESR230J.....	Spicer	Trailer	100	A15S.....	Standard Forge	Trailer	102
ESR230P.....	Spicer	Trailer	100	A16.....	Standard Forge	Trailer	102
EST225J.....	Spicer	Trailer	100	A-16 Series.....	Standard Forge	Trailer	102
EST225P.....	Spicer	Trailer	100	A17S.....	Standard Forge	Trailer	102
EST230J.....	Spicer	Trailer	100	A18S.....	Standard Forge	Trailer	102
EST230P.....	Spicer	Trailer	100	A19.....	Standard Forge	Trailer	102
ETA225D.....	Spicer	Trailer	100	A19H.....	Standard Forge	Trailer	102
ETA225J.....	Spicer	Trailer	100	A19S.....	Standard Forge	Trailer	102
ETA230C.....	Spicer	Trailer	100	A-20 Series.....	Standard Forge	Trailer	102
H.....	Spicer	Trailer	100	A20T.....	Standard Forge	Trailer	102
H25LD.....	Spicer	Trailer	100	A21.....	Standard Forge	Trailer	102
H25R.....	Spicer	Trailer	100	A-21 Series.....	Standard Forge	Trailer	102
HD.....	Spicer	Trailer	100	A21S.....	Standard Forge	Trailer	102
J.....	Spicer	Trailer	100	A21T.....	Standard Forge	Trailer	102
J501.....	Spicer	Trailer	100	A-22.....	Standard Forge	Trailer	102
JE.....	Spicer	Trailer	100	A225.....	Standard Forge	Trailer	102
JH.....	Spicer	Trailer	100	A22H.....	Standard Forge	Trailer	102
K14.....	Spicer	Trailer	100	A22S.....	Standard Forge	Trailer	102
K20.....	Spicer	Trailer	100	A24H.....	Standard Forge	Trailer	102
K21.....	Spicer	Trailer	100	A24S.....	Standard Forge	Trailer	102
K22.....	Spicer	Trailer	100	A25.....	Standard Forge	Trailer	102
K24.....	Spicer	Trailer	100	A25S.....	Standard Forge	Trailer	102
K25.....	Spicer	Trailer	100	A26.....	Standard Forge	Trailer	102
K30.....	Spicer	Trailer	100	A26S.....	Standard Forge	Trailer	102
K45.....	Spicer	Trailer	100	A40.....	Standard Forge	Trailer	102
K65.....	Spicer	Trailer	100	A40S.....	Standard Forge	Trailer	102
KTT21.....	Spicer	Trailer	100	A45S.....	Standard Forge	Trailer	102
LA15.....	Spicer	Trailer	100	A50.....	Standard Forge	Trailer	102
N.....	Spicer	Trailer	100	A60.....	Standard Forge	Trailer	102
ND.....	Spicer	Trailer	100	A60S.....	Standard Forge	Trailer	102
P.....	Spicer	Trailer	100	A65.....	Standard Forge	Trailer	102
P22.....	Spicer	Trailer	100	A65S.....	Standard Forge	Trailer	102
R900.....	Spicer	Trailer	100	A700.....	Standard Forge	Trailer	102
T.....	Spicer	Trailer	100	A8.5S.....	Standard Forge	Trailer	102
T11A.....	Spicer	Trailer	100	A900.....	Standard Forge	Trailer	102
T14.....	Spicer	Trailer	100	AL17S.....	Standard Forge	Trailer	102
T14-4500.....	Spicer	Trailer	100	AT20T.....	Standard Forge	Trailer	102
T14-4516.....	Spicer	Trailer	100	DA11S.....	Standard Forge	Trailer	102
T14-4545.....	Spicer	Trailer	100	DA13S.....	Standard Forge	Trailer	102
T14-4566.....	Spicer	Trailer	100	DA13X.....	Standard Forge	Trailer	102
T14-4575.....	Spicer	Trailer	100	DA15S.....	Standard Forge	Trailer	102
T14-4576.....	Spicer	Trailer	100	DA175.....	Standard Forge	Trailer	102
T14D.....	Spicer	Trailer	100	DA17S.....	Standard Forge	Trailer	102
T18.....	Spicer	Trailer	100	DA19H.....	Standard Forge	Trailer	102
T18A.....	Spicer	Trailer	100	DA19S.....	Standard Forge	Trailer	102
T18B.....	Spicer	Trailer	100	K14.....	Standard Forge	Trailer	102
T18C.....	Spicer	Trailer	100	K21.....	Standard Forge	Trailer	102
T18D-226.....	Spicer	Trailer	100	K25.....	Standard Forge	Trailer	102
T20L.....	Spicer	Trailer	100	K30.....	Standard Forge	Trailer	102
T20L-77.....	Spicer	Trailer	100	S700.....	Standard Forge	Trailer	102
T21.....	Spicer	Trailer	100	S900.....	Standard Forge	Trailer	102
T21D.....	Spicer	Trailer	100	SD2200AB.....	Standard Forge	Trailer	102
T22L.....	Spicer	Trailer	100	STA13.....	Standard Forge	Trailer	102
T23L.....	Spicer	Trailer	100	STA13S.....	Standard Forge	Trailer	102
T24L.....	Spicer	Trailer	100	T8.5.....	Standard Forge	Trailer	102
T25.....	Spicer	Trailer	100	T8.5S.....	Standard Forge	Trailer	102
T25-6000.....	Spicer	Trailer	100	T85.....	Standard Forge	Trailer	102
T9.....	Spicer	Trailer	100	T85S.....	Standard Forge	Trailer	102
T9AD.....	Spicer	Trailer	100	TA13S.....	Standard Forge	Trailer	102
W.....	Spicer	Trailer	100	TA16S-60.....	Standard Forge	Trailer	102
X1A.....	Spicer	Trailer	100	TA16S-60 Series ..	Standard Forge	Trailer	102
408.....	Standard Forge	Trailer	102	TA17.....	Standard Forge	Trailer	102
A10S.....	Standard Forge	Trailer	102	TA17S.....	Standard Forge	Trailer	102
A11S.....	Standard Forge	Trailer	102	TA20T.....	Standard Forge	Trailer	102

APPLIANCE

TRAILER, TAG & PUSH AXLES

FRONT AXLES

DRIVE AXLES

PINION SEALS

CONMET®

LIGHT TRUCK

Axle numerical listing - (cont.)

Axle	Manufacturer	Section	Pg. no.	Axle	Manufacturer	Section	Pg. no.
TA21T	Standard Forge	Trailer	102	16000	ArvinMeritor	Standard	Front 107
TA25	Standard Forge	Trailer	102	16600	ArvinMeritor	Standard	Front 107
TA26	Standard Forge	Trailer	102	16601	ArvinMeritor	Standard	Front 107
TTA13S	Standard Forge	Trailer	102	16602	ArvinMeritor	Standard	Front 107
TTA17	Standard Forge	Trailer	102	16608	ArvinMeritor	Standard	Front 107
TTA17S	Standard Forge	Trailer	102	16612	ArvinMeritor	Standard	Front 107
EA11ED (1969&up)	Sudisa	Trailer	103	16613	ArvinMeritor	Standard	Front 107
EA11EM	Sudisa	Trailer	103	16616	ArvinMeritor	Standard	Front 107
EA11TM	Sudisa	Trailer	103	16618	ArvinMeritor	Standard	Front 107
EA12EF	Sudisa	Trailer	103	16800	ArvinMeritor	Standard	Front 107
EA12TD (1969&UP)	Sudisa	Trailer	103	16800W	ArvinMeritor	Standard	Front 107
EA12TF	Sudisa	Trailer	103	16801	ArvinMeritor	Standard	Front 107
EA9EM	Sudisa	Trailer	103	16801W	ArvinMeritor	Standard	Front 107
ET9M	Sudisa	Trailer	103	1689	ArvinMeritor	Standard	Front 107
23000 lbs	Trailer	Trailer	104	16900	ArvinMeritor	Standard	Front 107
TA-175	Trunnion	Trailer	104	16901	ArvinMeritor	Standard	Front 107
18000 lbs	Utility Equip	Trailer	104	16901W	ArvinMeritor	Standard	Front 107
F7	Volvo	Trailer	105	16902	ArvinMeritor	Standard	Front 107
F3W-1600	Westport	Trailer	105	16902W	ArvinMeritor	Standard	Front 107
F6W-1600	Westport	Trailer	105	16903	ArvinMeritor	Standard	Front 107
WS16 (w/Star Front)	Westport	Trailer	105	16903W	ArvinMeritor	Standard	Front 107
TKN	White	Trailer	105	16905	ArvinMeritor	Standard	Front 107
TQD	White	Trailer	105	16905W	ArvinMeritor	Standard	Front 107
37P	ACF Truck	Front	106	16910	ArvinMeritor	Standard	Front 107
37PA	ACF Truck	Front	106	1692	ArvinMeritor	Standard	Front 107
37PB	ACF Truck	Front	106	16920	ArvinMeritor	Standard	Front 107
37PBS	ACF Truck	Front	106	16920W	ArvinMeritor	Standard	Front 107
41S	ACF Truck	Front	106	1693	ArvinMeritor	Standard	Front 107
45S	ACF Truck	Front	106	16930	ArvinMeritor	Standard	Front 107
C27	ACF Truck	Front	106	16930W	ArvinMeritor	Standard	Front 107
C27B	ACF Truck	Front	106	16931	ArvinMeritor	Standard	Front 107
C31	ACF Truck	Front	106	16931W	ArvinMeritor	Standard	Front 107
C31B	ACF Truck	Front	106	2600	ArvinMeritor	Standard	Front 107
C36	ACF Truck	Front	106	26060	ArvinMeritor	Standard	Front 107
C40	ACF Truck	Front	106	26061	ArvinMeritor	Standard	Front 107
C44	ACF Truck	Front	106	26062	ArvinMeritor	Standard	Front 107
C51	ACF Truck	Front	106	26063	ArvinMeritor	Standard	Front 107
IC41	ACF Truck	Front	106	26065	ArvinMeritor	Standard	Front 107
IC41A	ACF Truck	Front	106	2650	ArvinMeritor	Standard	Front 107
SU37	ACF Truck	Front	106	2652	ArvinMeritor	Standard	Front 107
T44	ACF Truck	Front	106	2652P	ArvinMeritor	Standard	Front 107
T45	ACF Truck	Front	106	2653	ArvinMeritor	Standard	Front 107
T46	ACF Truck	Front	106	2653P	ArvinMeritor	Standard	Front 107
TC44	ACF Truck	Front	106	2658	ArvinMeritor	Standard	Front 107
FC900	ArvinMeritor (School Bus)	Front	106	2660	ArvinMeritor	Standard	Front 107
FC931	ArvinMeritor (School Bus)	Front	106	2661	ArvinMeritor	Standard	Front 107
FD900	ArvinMeritor (School Bus)	Front	106	2662	ArvinMeritor	Standard	Front 107
FD921	ArvinMeritor (School Bus)	Front	106	2663	ArvinMeritor	Standard	Front 107
FD931	ArvinMeritor (School Bus)	Front	106	2664	ArvinMeritor	Standard	Front 107
FD961	ArvinMeritor (School Bus)	Front	106	2665	ArvinMeritor	Standard	Front 107
FE900	ArvinMeritor (School Bus)	Front	106	2666	ArvinMeritor	Standard	Front 107
FE921	ArvinMeritor (School Bus)	Front	106	2668	ArvinMeritor	Standard	Front 107
FE931	ArvinMeritor (School Bus)	Front	106	2700	ArvinMeritor	Standard	Front 107
FF900	ArvinMeritor (School Bus)	Front	106	27000	ArvinMeritor	Standard	Front 107
FF921	ArvinMeritor (School Bus)	Front	106	27050	ArvinMeritor	Standard	Front 107
FF932	ArvinMeritor (School Bus)	Front	106	27052	ArvinMeritor	Standard	Front 107
FF933	ArvinMeritor (School Bus)	Front	106	27054	ArvinMeritor	Standard	Front 107
FF934	ArvinMeritor (School Bus)	Front	106	27060	ArvinMeritor	Standard	Front 107
FF941	ArvinMeritor (School Bus)	Front	106	27061	ArvinMeritor	Standard	Front 107
FF942	ArvinMeritor (School Bus)	Front	106	27062	ArvinMeritor	Standard	Front 107
FF943	ArvinMeritor (School Bus)	Front	106	27062A	ArvinMeritor	Standard	Front 107
FF961	ArvinMeritor (School Bus)	Front	106	27063	ArvinMeritor	Standard	Front 107
FG941	ArvinMeritor (School Bus)	Front	106	27070	ArvinMeritor	Standard	Front 107
FG943	ArvinMeritor (School Bus)	Front	106	27071	ArvinMeritor	Standard	Front 107
FG941	ArvinMeritor (School Bus)	Front	106	27072	ArvinMeritor	Standard	Front 107
FG943	ArvinMeritor (School Bus)	Front	106	27450	ArvinMeritor	Standard	Front 107
				27451	ArvinMeritor	Standard	Front 107

Axle numerical listing - (cont.)

Axle	Manufacturer	Section	Pg.	Axle	Manufacturer	Section	Pg.
27452	ArvinMeritor Standard	Front	107	F3100W	ArvinMeritor Standard	Front	107
27454	ArvinMeritor Standard	Front	107	F3200W	ArvinMeritor Standard	Front	107
27460	ArvinMeritor Standard	Front	107	F409CW	ArvinMeritor Standard	Front	107
27461	ArvinMeritor Standard	Front	107	F460	ArvinMeritor Standard	Front	107
27462	ArvinMeritor Standard	Front	107	F462	ArvinMeritor Standard	Front	107
27462A	ArvinMeritor Standard	Front	107	F464	ArvinMeritor Standard	Front	107
27463	ArvinMeritor Standard	Front	107	F466	ArvinMeritor Standard	Front	107
27463A	ArvinMeritor Standard	Front	107	F7900	ArvinMeritor Standard	Front	107
27465	ArvinMeritor Standard	Front	107	F7900N	ArvinMeritor Standard	Front	107
27465A	ArvinMeritor Standard	Front	107	F7901	ArvinMeritor Standard	Front	107
27620	ArvinMeritor Standard	Front	107	F7910	ArvinMeritor Standard	Front	107
2770	ArvinMeritor Standard	Front	107	FC900	ArvinMeritor Standard	Front	107
2771	ArvinMeritor Standard	Front	107	FC900H	ArvinMeritor Standard	Front	107
2774	ArvinMeritor Standard	Front	107	FC900N	ArvinMeritor Standard	Front	107
2775	ArvinMeritor Standard	Front	107	FC900TW	ArvinMeritor Standard	Front	107
2776	ArvinMeritor Standard	Front	107	FC901	ArvinMeritor Standard	Front	107
2777	ArvinMeritor Standard	Front	107	FC901H	ArvinMeritor Standard	Front	107
30000	ArvinMeritor Standard	Front	107	FC901N	ArvinMeritor Standard	Front	107
30003	ArvinMeritor Standard	Front	107	FC901TW	ArvinMeritor Standard	Front	107
30004	ArvinMeritor Standard	Front	107	FC903	ArvinMeritor Standard	Front	107
30012	ArvinMeritor Standard	Front	107	FC921	ArvinMeritor Standard	Front	107
30020	ArvinMeritor Standard	Front	107	FC931	ArvinMeritor Standard	Front	107
30023	ArvinMeritor Standard	Front	107	FC931N	ArvinMeritor Standard	Front	107
30062	ArvinMeritor Standard	Front	107	FC941	ArvinMeritor Standard	Front	107
30063	ArvinMeritor Standard	Front	107	FD208	ArvinMeritor Standard	Front	107
30064	ArvinMeritor Standard	Front	107	FD209	ArvinMeritor Standard	Front	107
31007	ArvinMeritor Standard	Front	107	FD211	ArvinMeritor Standard	Front	107
31008	ArvinMeritor Standard	Front	107	FD215	ArvinMeritor Standard	Front	107
31009	ArvinMeritor Standard	Front	107	FD219	ArvinMeritor Standard	Front	107
31013	ArvinMeritor Standard	Front	107	FD900	ArvinMeritor Standard	Front	107
31015	ArvinMeritor Standard	Front	107	FD900DPA	ArvinMeritor Standard	Front	107
31018	ArvinMeritor Standard	Front	107	FD900DPH	ArvinMeritor Standard	Front	107
31020	ArvinMeritor Standard	Front	107	FD900H	ArvinMeritor Standard	Front	107
31041	ArvinMeritor Standard	Front	107	FD900N	ArvinMeritor Standard	Front	107
31100	ArvinMeritor Standard	Front	107	FD900P	ArvinMeritor Standard	Front	107
31104	ArvinMeritor Standard	Front	107	FD900TW	ArvinMeritor Standard	Front	107
31105	ArvinMeritor Standard	Front	107	FD900W	ArvinMeritor Standard	Front	107
31116	ArvinMeritor Standard	Front	107	FD901	ArvinMeritor Standard	Front	107
32500	ArvinMeritor Standard	Front	107	FD901DPH	ArvinMeritor Standard	Front	107
32501	ArvinMeritor Standard	Front	107	FD901H	ArvinMeritor Standard	Front	107
32502	ArvinMeritor Standard	Front	107	FD901P	ArvinMeritor Standard	Front	107
32504	ArvinMeritor Standard	Front	107	FD901TW	ArvinMeritor Standard	Front	107
32505	ArvinMeritor Standard	Front	107	FD903	ArvinMeritor Standard	Front	107
32506	ArvinMeritor Standard	Front	107	FD921	ArvinMeritor Standard	Front	107
32508	ArvinMeritor Standard	Front	107	FD931	ArvinMeritor Standard	Front	107
32509	ArvinMeritor Standard	Front	107	FD931N	ArvinMeritor Standard	Front	108
32514	ArvinMeritor Standard	Front	107	FD931TW	ArvinMeritor Standard	Front	108
32515	ArvinMeritor Standard	Front	107	FD933	ArvinMeritor Standard	Front	108
32518	ArvinMeritor Standard	Front	107	FD961	ArvinMeritor Standard	Front	108
32519	ArvinMeritor Standard	Front	107	FDS1600	ArvinMeritor Standard	Front	108
32520	ArvinMeritor Standard	Front	107	FDS1600RSA	ArvinMeritor Standard	Front	108
32521	ArvinMeritor Standard	Front	107	FDS1800	ArvinMeritor Standard	Front	108
32550	ArvinMeritor Standard	Front	107	FDS1800N	ArvinMeritor Standard	Front	108
32550H	ArvinMeritor Standard	Front	107	FDS1800RSA	ArvinMeritor Standard	Front	108
32550TW	ArvinMeritor Standard	Front	107	FDS1800TW	ArvinMeritor Standard	Front	108
32552	ArvinMeritor Standard	Front	107	FDS1801RSA	ArvinMeritor Standard	Front	108
32553	ArvinMeritor Standard	Front	107	FDS1801TW	ArvinMeritor Standard	Front	108
32556	ArvinMeritor Standard	Front	107	FDS1802RSA	ArvinMeritor Standard	Front	108
F2090	ArvinMeritor Standard	Front	107	FDS1805	ArvinMeritor Standard	Front	108
F2090H	ArvinMeritor Standard	Front	107	FDS1805RDH	ArvinMeritor Standard	Front	108
F2090H73	ArvinMeritor Standard	Front	107	FDS1807	ArvinMeritor Standard	Front	108
F2090W	ArvinMeritor Standard	Front	107	FDS1807RDH	ArvinMeritor Standard	Front	108
F2090W73	ArvinMeritor Standard	Front	107	FDS1808	ArvinMeritor Standard	Front	108
F2094	ArvinMeritor Standard	Front	107	FDS1808RHD	ArvinMeritor Standard	Front	108
F233	ArvinMeritor Standard	Front	107	FDS2100	ArvinMeritor Standard	Front	108
F235	ArvinMeritor Standard	Front	107	FDS2101	ArvinMeritor Standard	Front	108
F3100CW	ArvinMeritor Standard	Front	107	FDS2102	ArvinMeritor Standard	Front	108

APPLICABLE TRAILER, TAG & PUSH AXLES
 FRONT AXLES
 DRIVE AXLES
 PINION SEALS
 CONMET®
 LIGHT TRUCK

Axle numerical listing - (cont.)

Axle	Manufacturer	Section	Pg. no.	Axle	Manufacturer	Section	Pg. no.
FDS75	ArvinMeritor Standard	Front	108	FL901	ArvinMeritor Standard	Front	108
FDS750	ArvinMeritor Standard	Front	108	FL901N	ArvinMeritor Standard	Front	108
FDS750BH	ArvinMeritor Standard	Front	108	FL901P	ArvinMeritor Standard	Front	108
FDS750CH	ArvinMeritor Standard	Front	108	FL901RDA	ArvinMeritor Standard	Front	108
FDS750CN	ArvinMeritor Standard	Front	108	FL901RDH	ArvinMeritor Standard	Front	108
FDS751CN	ArvinMeritor Standard	Front	108	FL903	ArvinMeritor Standard	Front	108
FDS75N	ArvinMeritor Standard	Front	108	FL921	ArvinMeritor Standard	Front	108
FE900	ArvinMeritor Standard	Front	108	FL931	ArvinMeritor Standard	Front	108
FE900DPA	ArvinMeritor Standard	Front	108	FL931N	ArvinMeritor Standard	Front	108
FE900DPH	ArvinMeritor Standard	Front	108	FL931P	ArvinMeritor Standard	Front	108
FE900H	ArvinMeritor Standard	Front	108	FL931RDA	ArvinMeritor Standard	Front	108
FE900HD	ArvinMeritor Standard	Front	108	FL936	ArvinMeritor Standard	Front	108
FE900N	ArvinMeritor Standard	Front	108	FL941	ArvinMeritor Standard	Front	108
FE900P	ArvinMeritor Standard	Front	108	FL942	ArvinMeritor Standard	Front	108
FE900TW	ArvinMeritor Standard	Front	108	FL943	ArvinMeritor Standard	Front	108
FE901	ArvinMeritor Standard	Front	108	FL951	ArvinMeritor Standard	Front	108
FE903	ArvinMeritor Standard	Front	108	FU900	ArvinMeritor Standard	Front	108
FE921	ArvinMeritor Standard	Front	108	FU900P	ArvinMeritor Standard	Front	108
FE931	ArvinMeritor Standard	Front	108	FU910	ArvinMeritor Standard	Front	108
FE970	ArvinMeritor Standard	Front	108	FU935	ArvinMeritor Standard	Front	108
FE970TW	ArvinMeritor Standard	Front	108	JD1448	ArvinMeritor Standard	Front	108
FF900	ArvinMeritor Standard	Front	108	RF16145	ArvinMeritor Standard	Front	108
FF901	ArvinMeritor Standard	Front	108	RF21155	ArvinMeritor Standard	Front	108
FF901H	ArvinMeritor Standard	Front	108	RF21156	ArvinMeritor Standard	Front	108
FF901N	ArvinMeritor Standard	Front	108	RF21355	ArvinMeritor Standard	Front	108
FF901P	ArvinMeritor Standard	Front	108	RHD	ArvinMeritor Standard	Front	108
FF901RDA	ArvinMeritor Standard	Front	108	F-361	Clark	Front	115
FF901RDH	ArvinMeritor Standard	Front	108	F-362	Clark	Front	115
FF901TW	ArvinMeritor Standard	Front	108	F-458	Clark	Front	115
FF903	ArvinMeritor Standard	Front	108	F-459	Clark	Front	115
FF920	ArvinMeritor Standard	Front	108	FDS-2000	Clark	Front	115
FF921	ArvinMeritor Standard	Front	108	14000	Coleman	Front	115
FF921RDA	ArvinMeritor Standard	Front	108	9000	Coleman	Front	115
FF921RDH	ArvinMeritor Standard	Front	108	SD12	Coleman	Front	115
FF921TW	ArvinMeritor Standard	Front	108	SD17	Coleman	Front	115
FF930	ArvinMeritor Standard	Front	108	SD9	Coleman	Front	115
FF931	ArvinMeritor Standard	Front	108	11000 lbs.	Dodge	Front	116
FF931A	ArvinMeritor Standard	Front	108	12000 lbs.	Dodge	Front	116
FF931P	ArvinMeritor Standard	Front	108	15000 lbs.	Dodge	Front	116
FF931TW	ArvinMeritor Standard	Front	108	16000 lbs.	Dodge	Front	116
FF932	ArvinMeritor Standard	Front	108	4000 lbs.	Dodge	Front	116
FF933	ArvinMeritor Standard	Front	108	5000 lbs.	Dodge	Front	116
FF934	ArvinMeritor Standard	Front	108	5500 lbs.	Dodge	Front	116
FF941	ArvinMeritor Standard	Front	108	7000 lbs.	Dodge	Front	116
FF941A	ArvinMeritor Standard	Front	108	7500 lbs.	Dodge	Front	116
FF942	ArvinMeritor Standard	Front	108	9000 lbs.	Dodge	Front	116
FF943	ArvinMeritor Standard	Front	108	FA-40	Dodge	Front	116
FF944	ArvinMeritor Standard	Front	108	FA-50	Dodge	Front	116
FF961	ArvinMeritor Standard	Front	108	FA-55	Dodge	Front	116
FF966	ArvinMeritor Standard	Front	108	BOGIE AXLE	Eagle (Transit Bus)	Front	117
FF971	ArvinMeritor Standard	Front	108	FRONT AXLE	Eagle (Transit Bus)	Front	117
FG900	ArvinMeritor Standard	Front	108	79F	Eaton	Front	117
FG900N	ArvinMeritor Standard	Front	108	82F	Eaton	Front	117
FG900TW	ArvinMeritor Standard	Front	108	E10001	Eaton	Front	117
FG901	ArvinMeritor Standard	Front	108	E20001	Eaton	Front	117
FG903	ArvinMeritor Standard	Front	108	EAF18F3	Eaton	Front	117
FG931	ArvinMeritor Standard	Front	108	EFA12F3	Eaton	Front	117
FG941	ArvinMeritor Standard	Front	108	EFA12F4	Eaton	Front	117
FG943	ArvinMeritor Standard	Front	108	EFA13F3	Eaton	Front	117
FH900	ArvinMeritor Standard	Front	108	EFA13F4	Eaton	Front	117
FH901	ArvinMeritor Standard	Front	108	EFA13F5	Eaton	Front	117
FH901N	ArvinMeritor Standard	Front	108	EFA18F3	Eaton	Front	117
FH901P	ArvinMeritor Standard	Front	108	EFA20F4	Eaton	Front	117
FH901RDA	ArvinMeritor Standard	Front	108	EFA22T2	Eaton	Front	117
FH901RDH	ArvinMeritor Standard	Front	108	EFA22T5	Eaton	Front	117
FH903	ArvinMeritor Standard	Front	108	EFA24T2	Eaton	Front	117
FL900	ArvinMeritor Standard	Front	108	EFA24T5	Eaton	Front	117

Axle numerical listing - (cont.)

Axle	Manufacturer	Section	Pg.	Axle	Manufacturer	Section	Pg.
F3A	Eaton	Front	117	D	Ford	Front	119
F3D	Eaton	Front	117	E	Ford	Front	119
F4A	Eaton	Front	117	E (1964-65)	Ford	Front	119
F4D	Eaton	Front	117	F	Ford	Front	119
FE-10	Eaton	Front	117	F (Cargo)	Ford	Front	119
FE-10A	Eaton	Front	117	G	Ford	Front	119
FE-10A43	Eaton	Front	117	H	Ford	Front	119
FE-11	Eaton	Front	117	H (82-88)	Ford	Front	119
FX-1	Eaton	Front	117	I	Ford	Front	119
FY-1	Eaton	Front	117	J	Ford	Front	119
22	FWD	Front	118	K	Ford	Front	119
22A	FWD	Front	118	L	Ford	Front	119
22HD	FWD	Front	118	M	Ford	Front	119
2621	FWD	Front	118	N	Ford	Front	119
2A	FWD	Front	118	N (Cargo)	Ford	Front	119
2B	FWD	Front	118	O	Ford	Front	119
2C	FWD	Front	118	P	Ford	Front	119
2SC	FWD	Front	118	Q	Ford	Front	119
2SCB	FWD	Front	118	R	Ford	Front	119
2SDC	FWD	Front	118	S	Ford	Front	119
32	FWD	Front	118	T	Ford	Front	119
32A	FWD	Front	118	TWIN I-BEAM	Ford	Front	119
32R	FWD	Front	118	U	Ford	Front	119
ND22	FWD	Front	118	V	Ford	Front	119
ND-32A	FWD	Front	118	V	Ford	Front	120
12000	Fabco	Front	118	W	Ford	Front	120
13000	Fabco	Front	118	X	Ford	Front	120
SDA12	Fabco	Front	118	Y	Ford	Front	120
SDA16	Fabco	Front	118	Z	Ford	Front	120
SDA18	Fabco	Front	118	1 (1970/76 & 1978)	Ford (School Bus)	Front	123
SDA20	Fabco	Front	118	2 (1970)	Ford (School Bus)	Front	123
SDA21	Fabco	Front	118	3 (1970/78)	Ford (School Bus)	Front	123
SDA23	Fabco	Front	118	4 (1970)	Ford (School Bus)	Front	123
SDA9	Fabco	Front	118	4 (1970/74)	Ford (School Bus)	Front	123
17101	Flxible (Transit Bus)	Front	119	5 (1970)	Ford (School Bus)	Front	123
1	Ford	Front	119	5 (1970/74)	Ford (School Bus)	Front	123
10000 lbs.	Ford	Front	119	7 (After 4/92)	Ford (School Bus)	Front	123
10800 lbs.	Ford	Front	119	7 (Before 3/92)	Ford (School Bus)	Front	123
12000	Ford	Front	119	8 (1982)	Ford (School Bus)	Front	123
13000 lbs.	Ford	Front	119	A (1978)	Ford (School Bus)	Front	123
13100 lbs.	Ford	Front	119	B (1964)	Ford (School Bus)	Front	123
14600 lbs.	Ford	Front	119	B (1968)	Ford (School Bus)	Front	123
16000	Ford	Front	119	C (1978)	Ford (School Bus)	Front	123
18000	Ford	Front	119	C (Thru 1969)	Ford (School Bus)	Front	123
2	Ford	Front	119	D (1977)	Ford (School Bus)	Front	123
20000	Ford	Front	119	D (1978)	Ford (School Bus)	Front	123
3	Ford	Front	119	E (1964/65)	Ford (School Bus)	Front	123
4	Ford	Front	119	E (1965/69)	Ford (School Bus)	Front	123
5	Ford	Front	119	E (1977)	Ford (School Bus)	Front	123
5(Cargo)	Ford	Front	119	F (1957/64)	Ford (School Bus)	Front	123
6	Ford	Front	119	G	Ford (School Bus)	Front	123
6000	Ford	Front	119	J (1970/76, 1980)	Ford (School Bus)	Front	123
7	Ford	Front	119	K (1970)	Ford (School Bus)	Front	123
7000	Ford	Front	119	L (1969)	Ford (School Bus)	Front	123
7000 lbs. HYD	Ford	Front	119	L (1970)	Ford (School Bus)	Front	123
7500	Ford	Front	119	M (1970)	Ford (School Bus)	Front	123
7500 lbs. HYD	Ford	Front	119	M (1970-74)	Ford (School Bus)	Front	123
8	Ford	Front	119	N (1973)	Ford (School Bus)	Front	123
8000 (Cargo)	Ford	Front	119	O (1978)	Ford (School Bus)	Front	123
8000 lbs.	Ford	Front	119	P	Ford (School Bus)	Front	123
9	Ford	Front	119	U (Thru 1964)	Ford (School Bus)	Front	123
9000 (Cargo)	Ford	Front	119	V (1978)	Ford (School Bus)	Front	123
9000 lbs.	Ford	Front	119	V (1982)	Ford (School Bus)	Front	123
9W	Ford	Front	119	W (1978)	Ford (School Bus)	Front	123
A	Ford	Front	119	X (1978)	Ford (School Bus)	Front	123
B	Ford	Front	119	Y (1978)	Ford (School Bus)	Front	123
C	Ford	Front	119	585F	GMC	Front	124

APPLICATIONS
 TRAILER, TAG & PUSH AXLES
 FRONT AXLES
 DRIVE AXLES
 PINION SEALS
 CONMET®
 LIGHT TRUCK

Axle numerical listing - (cont.)

Axle	Manufacturer	Section	Pg. no.	Axle	Manufacturer	Section	Pg. no.
586F	GMC	Front	124	W4	GMC Truck	Front	127
F040	GMC	Front	124	F070	GMC/Chev (School Bus)	Front	127
F045	GMC	Front	124	F070D	GMC/Chev (School Bus)	Front	127
F047	GMC	Front	124	F090 (1982-85)	GMC/Chev (School Bus)	Front	127
F050	GMC	Front	124	F090 (1985 & UP)	GMC/Chev (School Bus)	Front	127
F055	GMC	Front	124	F090 (Thru 1982)	GMC/Chev (School Bus)	Front	127
F070	GMC	Front	124	F110 (1985 & UP)	GMC/Chev (School Bus)	Front	127
F070D	GMC	Front	124	F110 (Thru 1984)	GMC/Chev (School Bus)	Front	127
F090	GMC	Front	124	F120 (1985 & UP)	GMC/Chev (School Bus)	Front	127
F110	GMC	Front	124	F120 (Thru 1984)	GMC/Chev (School Bus)	Front	127
F120	GMC	Front	124	F120D (1985 & UP)	GMC/Chev (School Bus)	Front	127
F120D	GMC	Front	124	F120D (Thru 1984)	GMC/Chev (School Bus)	Front	127
F150	GMC	Front	124	FE900	GMC/Chev (School Bus)	Front	127
F160	GMC	Front	124	FE900 (1960 & UP)	GMC/Chev (School Bus)	Front	127
F460	GMC	Front	124	FF932	GMC/Chev (School Bus)	Front	127
F462	GMC	Front	124	FA141S	Hino	Front	128
F464	GMC	Front	124	FA142S	Hino	Front	128
F466	GMC	Front	124	FA143S	Hino	Front	128
FD070	GMC	Front	124	FB142S	Hino	Front	128
FD931	GMC	Front	124	FB143S	Hino	Front	128
FE900	GMC	Front	124	FB144S	Hino	Front	128
FE921	GMC	Front	124	FE177S	Hino	Front	128
FE970	GMC	Front	124	FE194S	Hino	Front	128
FF901	GMC	Front	124	FE195S	Hino	Front	128
FF921	GMC	Front	124	FF192S	Hino	Front	128
FF931	GMC	Front	124	FF193S	Hino	Front	128
FF941	GMC	Front	124	FF194S	Hino	Front	128
FF971	GMC	Front	124	FF195S	Hino	Front	128
FG943	GMC	Front	124	FF197S	Hino	Front	128
FH0	GMC	Front	124	FF198S	Hino	Front	128
FH070	GMC	Front	124	FG223S	Hino	Front	128
FH4	GMC	Front	124	FG225S	Hino	Front	128
FHD065	GMC	Front	124	A	Ikarus-Crown (Transit Bus)	Front	128
FHD070	GMC	Front	124	C	Ikarus-Crown (Transit Bus)	Front	128
FL1	GMC	Front	124	FRR	Isuzu	Front	129
FL3	GMC	Front	124	FSR	Isuzu	Front	129
FL4	GMC	Front	124	FTR	Isuzu	Front	129
FL901	GMC	Front	124	FVR	Isuzu	Front	129
FL931	GMC	Front	124	NPR	Isuzu	Front	129
FL941	GMC	Front	124	NRR	Isuzu	Front	129
FS110	GMC	Front	124	10-14	Iveco	Front	129
FS7 (AIR)	GMC	Front	124	110	Iveco	Front	129
FS7 (HYDRAULIC)	GMC	Front	124	120TA	Iveco	Front	129
IFS030	GMC	Front	124	12-11	Iveco	Front	129
IFS035	GMC	Front	124	12-12	Iveco	Front	129
IFS050	GMC	Front	124	12-14	Iveco	Front	129
IFS055	GMC	Front	124	1514	Iveco	Front	129
IFS070	GMC	Front	124	1514AS	Iveco	Front	129
IFS090	GMC	Front	124	1814	Iveco	Front	129
IFS110	GMC	Front	124	1816	Iveco	Front	129
RTS11	GMC	Front	124	220	Iveco	Front	129
SD12	GMC	Front	124	220T	Iveco	Front	129
SD9	GMC	Front	124	230T	Iveco	Front	129
W6	GMC	Front	124	23-16	Iveco	Front	129
W7	GMC	Front	124	335T	Iveco	Front	129
W7M	GMC	Front	124	340T	Iveco	Front	129
68853	GMC (Transit Bus)	Front	126	435T	Iveco	Front	129
40 Series	GMC Truck	Front	127	450T	Iveco	Front	129
4100 Series	GMC Truck	Front	127	Z100	Iveco	Front	129
4400 Series	GMC Truck	Front	127	Z110	Iveco	Front	129
4500 Series	GMC Truck	Front	127	Z120	Iveco	Front	129
6700 Series	GMC Truck	Front	127	Z120TA	Iveco	Front	129
FH033	GMC Truck	Front	127	Z220	Iveco	Front	129
FL1	GMC Truck	Front	127	Z220T	Iveco	Front	129
FL2	GMC Truck	Front	127	Z230	Iveco	Front	129
FS7 (Hyd.)	GMC Truck	Front	127	Z230T	Iveco	Front	129
Transmode	GMC Truck	Front	127	Z340T	Iveco	Front	129

Axle numerical listing - (cont.)

Axle	Manufacturer	Section	Pg.	Axle	Manufacturer	Section	Pg.
Z450T	Iveco	Front	129	FA512	Mack	Front	130
A20	Mack	Front	130	FA513	Mack	Front	130
A20H	Mack	Front	130	FA5131	Mack	Front	130
A30	Mack	Front	130	FA514	Mack	Front	130
A30H	Mack	Front	130	FA5141	Mack	Front	130
A40	Mack	Front	130	FA517	Mack	Front	130
A40H	Mack	Front	130	FA518	Mack	Front	130
A40T	Mack	Front	130	FA519	Mack	Front	130
A40X	Mack	Front	130	FA522	Mack	Front	130
A50	Mack	Front	130	FA5221	Mack	Front	130
A50H	Mack	Front	130	FA523	Mack	Front	130
A50S	Mack	Front	130	FA5231	Mack	Front	130
A50T	Mack	Front	130	FA532	Mack	Front	130
A51H	Mack	Front	130	FA5321	Mack	Front	130
A51S	Mack	Front	130	FA534	Mack	Front	130
A51T	Mack	Front	130	FA5341	Mack	Front	130
A54	Mack	Front	130	FA-534C-W	Mack	Front	130
A54T	Mack	Front	130	FA534W	Mack	Front	130
B20P	Mack	Front	130	FA535	Mack	Front	130
B30P	Mack	Front	130	FA5351	Mack	Front	130
B30T	Mack	Front	130	FA535C	Mack	Front	130
B30X	Mack	Front	130	FA-535C-W	Mack	Front	130
B42	Mack	Front	130	FA535N	Mack	Front	130
B42P	Mack	Front	130	FA535W	Mack	Front	130
B42S	Mack	Front	130	FA536	Mack	Front	130
B42ST	Mack	Front	130	FA537	Mack	Front	130
B42SX	Mack	Front	130	FA5371	Mack	Front	130
B42T	Mack	Front	130	FA-537C-W-D	Mack	Front	130
B42X	Mack	Front	130	FA56	Mack	Front	130
B50T	Mack	Front	130	FA561	Mack	Front	130
B60LT	Mack	Front	130	FA562	Mack	Front	130
B60X	Mack	Front	130	FA57	Mack	Front	130
C	Mack	Front	130	FA571	Mack	Front	130
C-D	Mack	Front	130	FA600	Mack	Front	130
D30P	Mack	Front	130	FA6000	Mack	Front	130
FA-18	Mack	Front	130	FA6001	Mack	Front	130
FA20	Mack	Front	130	FA600C	Mack	Front	130
FA24	Mack	Front	130	FA601	Mack	Front	130
FA25	Mack	Front	130	FA6011	Mack	Front	130
FA25A	Mack	Front	130	FA601C	Mack	Front	130
FA26	Mack	Front	130	FA604	Mack	Front	130
FA28	Mack	Front	130	FA6041	Mack	Front	130
FA300	Mack	Front	130	FA6042	Mack	Front	130
FA301	Mack	Front	130	FA6043	Mack	Front	130
FA36	Mack	Front	130	FA6044	Mack	Front	130
FA37	Mack	Front	130	FA612	Mack	Front	130
FA400	Mack	Front	130	FA614	Mack	Front	130
FA405	Mack	Front	130	FA616	Mack	Front	130
FA408	Mack	Front	130	FA616D	Mack	Front	130
FA44	Mack	Front	130	FA617	Mack	Front	130
FA44A	Mack	Front	130	FA617C	Mack	Front	130
FA44B	Mack	Front	130	FA617D	Mack	Front	130
FA45	Mack	Front	130	FA619	Mack	Front	130
FA45A	Mack	Front	130	FA700	Mack	Front	130
FA45B	Mack	Front	130	FA701	Mack	Front	130
FA46	Mack	Front	130	FA702	Mack	Front	130
FA500	Mack	Front	130	FAFW537	Mack	Front	130
FA501	Mack	Front	130	FAFW5370	Mack	Front	130
FA505	Mack	Front	130	FAFW539	Mack	Front	130
FA5051	Mack	Front	130	FAL5051	Mack	Front	130
FA507	Mack	Front	130	FAL5071	Mack	Front	130
FA5071	Mack	Front	130	FAL522	Mack	Front	130
FA508	Mack	Front	130	FAL5221	Mack	Front	130
FA509	Mack	Front	130	FAL523	Mack	Front	130
FA510	Mack	Front	130	FAL532	Mack	Front	130
FA511	Mack	Front	130	FAL5321	Mack	Front	130
FA5111	Mack	Front	130	FAL535	Mack	Front	130

Axle numerical listing - (cont.)

Axle	Manufacturer	Section	Pg. no.	Axle	Manufacturer	Section	Pg. no.
FAN5071	Mack	Front	130	CM804	Marmon-Herrington	Front	134
FAN534	Mack	Front	130	CM904	Marmon-Herrington	Front	134
FAN5341	Mack	Front	130	DSD500-6	Marmon-Herrington	Front	134
FAN535	Mack	Front	130	DSD600-6	Marmon-Herrington	Front	134
FAN5351	Mack	Front	130	DSD800-6	Marmon-Herrington	Front	134
FAN537C-D	Mack	Front	130	DVL-4	Marmon-Herrington	Front	134
FAN537C-W-D	Mack	Front	130	LD6-4	Marmon-Herrington	Front	134
FANL535	Mack	Front	130	LD6P-4	Marmon-Herrington	Front	134
FANL5351	Mack	Front	130	LD7-4	Marmon-Herrington	Front	134
FAR12	Mack	Front	130	M104-4	Marmon-Herrington	Front	134
FAR-9.5	Mack	Front	130	M254	Marmon-Herrington	Front	134
FAR95	Mack	Front	130	M354	Marmon-Herrington	Front	134
FAW-10.5	Mack	Front	130	M504	Marmon-Herrington	Front	134
FAW-12	Mack	Front	130	M604	Marmon-Herrington	Front	134
FAW14.3	Mack	Front	130	M704	Marmon-Herrington	Front	134
FAW-14.3	Mack	Front	130	M754	Marmon-Herrington	Front	134
FAW143	Mack	Front	130	M756	Marmon-Herrington	Front	134
FAW18	Mack	Front	130	M804	Marmon-Herrington	Front	134
FAW20	Mack	Front	130	M806	Marmon-Herrington	Front	134
FAW535	Mack	Front	130	M904	Marmon-Herrington	Front	134
FAW535C	Mack	Front	130	MH440-4	Marmon-Herrington	Front	134
FAW536	Mack	Front	130	MH440-6	Marmon-Herrington	Front	134
FAW5361	Mack	Front	130	MH555-4	Marmon-Herrington	Front	134
FAW536C	Mack	Front	130	MH555-6	Marmon-Herrington	Front	134
FAW536C-W-D	Mack	Front	130	MH610-4	Marmon-Herrington	Front	134
FAW536D	Mack	Front	130	MH610A-4	Marmon-Herrington	Front	134
FAW536W	Mack	Front	130	MH625-4	Marmon-Herrington	Front	134
FAW537	Mack	Front	130	MH630-4	Marmon-Herrington	Front	134
FAW5371	Mack	Front	130	Q	Marmon-Herrington	Front	134
FAW537C	Mack	Front	130	R32-4	Marmon-Herrington	Front	134
FAW-537C-D	Mack	Front	130	R4-4	Marmon-Herrington	Front	134
FAW537D	Mack	Front	130	R5-4	Marmon-Herrington	Front	134
FAW537W	Mack	Front	130	R6-4	Marmon-Herrington	Front	134
FAW538	Mack	Front	130	TC40	Marmon-Herrington	Front	134
FAW538C	Mack	Front	130	TC44	Marmon-Herrington	Front	134
FAW612C	Mack	Front	130	TC48	Marmon-Herrington	Front	134
FAW616	Mack	Front	130	TC49	Marmon-Herrington	Front	134
FAW616D	Mack	Front	130	TC50	Marmon-Herrington	Front	134
FAW617	Mack	Front	130	V	Marmon-Herrington	Front	134
FAW617C	Mack	Front	130	W	Marmon-Herrington	Front	134
FAW617C-D	Mack	Front	130	L 1013	Mercedes-Benz	Front	135
FAW617D	Mack	Front	130	L 1113	Mercedes-Benz	Front	135
FAW618	Mack	Front	130	L 1116	Mercedes-Benz	Front	135
FAW619	Mack	Front	130	L 1117	Mercedes-Benz	Front	135
FAW619W	Mack	Front	130	L 1316	Mercedes-Benz	Front	135
FAWL-12	Mack	Front	130	L 1317	Mercedes-Benz	Front	135
H633LT	Mack	Front	130	L 1319	Mercedes-Benz	Front	135
H633ST	Mack	Front	130	L 1418	Mercedes-Benz	Front	135
H633T	Mack	Front	130	LS 1316	Mercedes-Benz	Front	135
H63ST	Mack	Front	130	LS 1418	Mercedes-Benz	Front	135
H63T	Mack	Front	130	FK415	Mitsubishi Fuso	Front	135
LJ	Mack	Front	130	FM555	Mitsubishi Fuso	Front	135
LJT	Mack	Front	130	002ADA	Navistar	Front	136
LJX	Mack	Front	130	002ADB	Navistar	Front	136
MS200	Mack Midliner	Front	133	002ADC	Navistar	Front	136
MS250	Mack Midliner	Front	133	002ADD	Navistar	Front	136
MS300	Mack Midliner	Front	133	002ADE	Navistar	Front	136
13000 lbs.	Magirus	Front	134	002ADG	Navistar	Front	136
C6M5	Marmon-Herrington	Front	134	002AEA	Navistar	Front	136
C6M6	Marmon-Herrington	Front	134	002ARA	Navistar	Front	136
CM5	Marmon-Herrington	Front	134	0206	Navistar	Front	136
CM504	Marmon-Herrington	Front	134	0207	Navistar	Front	136
CM6	Marmon-Herrington	Front	134	0213	Navistar	Front	136
CM604	Marmon-Herrington	Front	134	2227	Navistar	Front	136
CM704	Marmon-Herrington	Front	134	2231	Navistar	Front	136
CM754	Marmon-Herrington	Front	134	2232	Navistar	Front	136
CM756	Marmon-Herrington	Front	134	2233	Navistar	Front	136

Axle numerical listing - (cont.)

Axle	Manufacturer	Section	Pg.	Axle	Manufacturer	Section	Pg.
2250	Navistar	Front	136	FA223	Navistar	Front	136
FA1	Navistar	Front	136	FA224	Navistar	Front	136
FA10	Navistar	Front	136	FA225	Navistar	Front	136
FA100	Navistar	Front	136	FA226	Navistar	Front	136
FA101	Navistar	Front	136	FA227	Navistar	Front	136
FA102	Navistar	Front	136	FA228	Navistar	Front	136
FA103	Navistar	Front	136	FA229	Navistar	Front	136
FA104	Navistar	Front	136	FA231	Navistar	Front	136
FA105	Navistar	Front	136	FA232	Navistar	Front	136
FA108	Navistar	Front	136	FA233	Navistar	Front	136
FA109	Navistar	Front	136	FA234	Navistar	Front	136
FA11	Navistar	Front	136	FA238	Navistar	Front	136
FA110	Navistar	Front	136	FA239	Navistar	Front	136
FA111	Navistar	Front	136	FA24	Navistar	Front	136
FA112	Navistar	Front	136	FA241	Navistar	Front	136
FA113	Navistar	Front	136	FA242	Navistar	Front	136
FA114	Navistar	Front	136	FA245	Navistar	Front	136
FA115	Navistar	Front	136	FA248	Navistar	Front	136
FA118	Navistar	Front	136	FA25	Navistar	Front	136
FA119	Navistar	Front	136	FA250	Navistar	Front	136
FA12	Navistar	Front	136	FA28	Navistar	Front	136
FA120	Navistar	Front	136	FA3	Navistar	Front	136
FA127	Navistar	Front	136	FA30	Navistar	Front	136
FA13	Navistar	Front	136	FA309	Navistar	Front	136
FA130	Navistar	Front	136	FA329	Navistar	Front	136
FA131	Navistar	Front	136	FA336	Navistar	Front	136
FA132	Navistar	Front	136	FA337	Navistar	Front	136
FA133	Navistar	Front	136	FA338	Navistar	Front	136
FA134	Navistar	Front	136	FA339	Navistar	Front	136
FA136	Navistar	Front	136	FA340	Navistar	Front	136
FA137	Navistar	Front	136	FA341	Navistar	Front	136
FA138	Navistar	Front	136	FA342	Navistar	Front	136
FA139	Navistar	Front	136	FA343	Navistar	Front	136
FA14	Navistar	Front	136	FA4	Navistar	Front	136
FA140	Navistar	Front	136	FA40	Navistar	Front	136
FA15	Navistar	Front	136	FA401	Navistar	Front	136
FA150	Navistar	Front	136	FA41	Navistar	Front	136
FA16	Navistar	Front	136	FA43	Navistar	Front	136
FA17	Navistar	Front	136	FA44	Navistar	Front	136
FA175	Navistar	Front	136	FA45	Navistar	Front	136
FA176	Navistar	Front	136	FA46	Navistar	Front	136
FA18	Navistar	Front	136	FA48	Navistar	Front	136
FA180	Navistar	Front	136	FA5	Navistar	Front	136
FA182	Navistar	Front	136	FA50	Navistar	Front	136
FA183	Navistar	Front	136	FA51	Navistar	Front	136
FA184	Navistar	Front	136	FA52	Navistar	Front	136
FA186	Navistar	Front	136	FA53	Navistar	Front	136
FA191	Navistar	Front	136	FA54	Navistar	Front	136
FA192	Navistar	Front	136	FA55	Navistar	Front	136
FA193	Navistar	Front	136	FA56	Navistar	Front	136
FA194	Navistar	Front	136	FA57	Navistar	Front	136
FA195	Navistar	Front	136	FA58	Navistar	Front	136
FA196	Navistar	Front	136	FA59	Navistar	Front	136
FA20	Navistar	Front	136	FA6	Navistar	Front	136
FA201	Navistar	Front	136	FA60	Navistar	Front	136
FA208	Navistar	Front	136	FA62	Navistar	Front	136
FA209	Navistar	Front	136	FA63	Navistar	Front	136
FA21	Navistar	Front	136	FA64	Navistar	Front	136
FA210	Navistar	Front	136	FA65	Navistar	Front	136
FA211	Navistar	Front	136	FA66	Navistar	Front	136
FA212	Navistar	Front	136	FA68	Navistar	Front	136
FA213	Navistar	Front	136	FA69	Navistar	Front	136
FA215	Navistar	Front	136	FA7	Navistar	Front	136
FA216	Navistar	Front	136	FA70	Navistar	Front	136
FA218	Navistar	Front	136	FA71	Navistar	Front	136
FA219	Navistar	Front	136	FA72	Navistar	Front	136
FA22	Navistar	Front	136	FA73	Navistar	Front	136

APPLICATIONS
 TRAILER, TAG & PUSHER AXLES
 FRONT AXLES
 DRIVE AXLES
 PINION SEALS
 CONMET®
 LIGHT TRUCK

Axle numerical listing - (cont.)

Axle	Manufacturer	Section	Pg. no.	Axle	Manufacturer	Section	Pg. no.
FA74	Navistar	Front	136	1747-J	Oshkosh	Front	141
FA75	Navistar	Front	136	17896-F	Oshkosh	Front	141
FA76	Navistar	Front	136	1888-G-4	Oshkosh	Front	141
FA77	Navistar	Front	136	1916-J	Oshkosh	Front	141
FA78	Navistar	Front	136	19850-F	Oshkosh	Front	141
FA8	Navistar	Front	136	2346-F-3	Oshkosh	Front	141
FA80	Navistar	Front	136	3908-F-2	Oshkosh	Front	141
FA81	Navistar	Front	136	F2034	Oshkosh	Front	141
FA82	Navistar	Front	136	F2044	Oshkosh	Front	141
FA83	Navistar	Front	136	F2055	Oshkosh	Front	141
FA89	Navistar	Front	136	F2056	Oshkosh	Front	141
FA9	Navistar	Front	136	H-1700	Oshkosh	Front	141
FA90	Navistar	Front	136	W-1600	Oshkosh	Front	141
FA91	Navistar	Front	136	W-1700	Oshkosh	Front	141
FA95	Navistar	Front	136	W-212	Oshkosh	Front	141
FA98	Navistar	Front	136	W-2200	Oshkosh	Front	141
FA99	Navistar	Front	136	W-700	Oshkosh	Front	141
FAADA	Navistar	Front	136	W705	Oshkosh	Front	141
FAADB	Navistar	Front	136	W-900	Oshkosh	Front	141
FAADC	Navistar	Front	136	W906-6x6	Oshkosh	Front	141
FAADD	Navistar	Front	136	24-F	Spicer	Front	142
FAADE	Navistar	Front	136	25-F	Spicer	Front	142
FAADG	Navistar	Front	136	27	Spicer	Front	142
FAADH	Navistar	Front	136	27-AF	Spicer	Front	142
FAADJ	Navistar	Front	136	27-F	Spicer	Front	142
FAADK	Navistar	Front	136	28-IFS	Spicer	Front	142
FAADL	Navistar	Front	136	30	Spicer	Front	142
FAARA	Navistar	Front	137	30-AF	Spicer	Front	142
FAERA	Navistar	Front	137	35-IFS	Spicer	Front	142
FAERC	Navistar	Front	137	44	Spicer	Front	142
FAERD	Navistar	Front	137	44-3CF	Spicer	Front	142
FAERE	Navistar	Front	137	44-3CF-HD	Spicer	Front	142
FAERG	Navistar	Front	137	44-3F	Spicer	Front	142
FAEYA	Navistar	Front	137	44-5CF-HD	Spicer	Front	142
FAEYB	Navistar	Front	137	44-5F	Spicer	Front	142
FAEYC	Navistar	Front	137	44-6CF	Spicer	Front	142
FAEYG	Navistar	Front	137	44-6CF-HD	Spicer	Front	142
FAKER	Navistar	Front	137	44-6E	Spicer	Front	142
FAKRB	Navistar	Front	137	44-6F	Spicer	Front	142
FF931	Navistar	Front	137	44-7F	Spicer	Front	142
FF941	Navistar	Front	137	44-8F	Spicer	Front	142
FA101	Navistar (School Bus)	Front	140	44-9F	Spicer	Front	142
FA103	Navistar (School Bus)	Front	140	44F	Spicer	Front	142
FA104	Navistar (School Bus)	Front	140	44-FBJ	Spicer	Front	142
FA105	Navistar (School Bus)	Front	140	44-IF	Spicer	Front	142
FA109 (1979 & up)	Navistar (School Bus)	Front	140	44-IF-HD	Spicer	Front	142
FA109 (Up to 1979)	Navistar (School Bus)	Front	140	44-IFS	Spicer	Front	142
FA118	Navistar (School Bus)	Front	140	44-IFS-HD	Spicer	Front	142
FA119	Navistar (School Bus)	Front	140	50.5-IFS	Spicer	Front	142
FA127	Navistar (School Bus)	Front	140	60-3F	Spicer	Front	142
FA136	Navistar (School Bus)	Front	140	60-7F	Spicer	Front	142
FA139	Navistar (School Bus)	Front	140	60-F	Spicer	Front	142
FA208	Navistar (School Bus)	Front	140	70	Spicer	Front	142
FA215	Navistar (School Bus)	Front	140	70-F	Spicer	Front	142
FA218	Navistar (School Bus)	Front	140	E1000I	Spicer	Front	142
FA228	Navistar (School Bus)	Front	140	E1200I	Spicer	Front	142
FA309	Navistar (School Bus)	Front	140	I100S	Spicer	Front	142
FA329	Navistar (School Bus)	Front	140	I108	Spicer	Front	142
FA337	Navistar (School Bus)	Front	140	I120	Spicer	Front	142
FA339	Navistar (School Bus)	Front	140	I120S	Spicer	Front	142
FA340	Navistar (School Bus)	Front	140	I140S	Spicer	Front	142
FA71	Navistar (School Bus)	Front	140	I160S	Spicer	Front	142
FA73	Navistar (School Bus)	Front	140	I180S	Spicer	Front	142
10338-F-5	Oshkosh	Front	141	I200S	Spicer	Front	142
1554-GA-1	Oshkosh	Front	141	I50	Spicer	Front	142
15640-F-1	Oshkosh	Front	141	I60	Spicer	Front	142
16800-F	Oshkosh	Front	141	I60S	Spicer	Front	142

Axle numerical listing - (cont.)

Axle	Manufacturer	Section	Pg.	Axle	Manufacturer	Section	Pg.
I75.....	Spicer	Front	142	115DL.....	White	Front	146
I80S.....	Spicer	Front	142	116D.....	White	Front	146
I90.....	Spicer	Front	142	116DL.....	White	Front	146
DD150.....	Sterling Truck.....	Front	145	116DX.....	White	Front	146
DDS135.....	Sterling Truck.....	Front	145	119D.....	White	Front	146
DDS145.....	Sterling Truck.....	Front	145	12000.....	White	Front	146
DDS150.....	Sterling Truck.....	Front	145	121D.....	White	Front	146
HA1204.....	Sterling Truck.....	Front	145	122D.....	White	Front	146
HA1304.....	Sterling Truck.....	Front	145	123D.....	White	Front	146
HB1204.....	Sterling Truck.....	Front	145	124D.....	White	Front	146
HB1904.....	Sterling Truck.....	Front	145	125D.....	White	Front	146
HB2254.....	Sterling Truck.....	Front	145	126D.....	White	Front	146
HG1204.....	Sterling Truck.....	Front	145	127D.....	White	Front	146
34S.....	Twin Coach Truck.....	Front	145	12D.....	White	Front	146
34SW.....	Twin Coach Truck.....	Front	145	14000.....	White	Front	146
35G.....	Twin Coach Truck.....	Front	145	160.....	White	Front	146
35R.....	Twin Coach Truck.....	Front	145	16D.....	White	Front	146
35S.....	Twin Coach Truck.....	Front	145	230.....	White	Front	146
38S.....	Twin Coach Truck.....	Front	145	23D.....	White	Front	146
40GTT.....	Twin Coach Truck.....	Front	145	24D.....	White	Front	146
40R.....	Twin Coach Truck.....	Front	145	30D.....	White	Front	146
41S.....	Twin Coach Truck.....	Front	145	39D.....	White	Front	146
44D.....	Twin Coach Truck.....	Front	145	40D.....	White	Front	146
44GTT.....	Twin Coach Truck.....	Front	145	58D.....	White	Front	146
44R.....	Twin Coach Truck.....	Front	145	59D.....	White	Front	146
44S.....	Twin Coach Truck.....	Front	145	60D.....	White	Front	146
44TT.....	Twin Coach Truck.....	Front	145	60DF.....	White	Front	146
44TTW.....	Twin Coach Truck.....	Front	145	64D.....	White	Front	146
45S.....	Twin Coach Truck.....	Front	145	64DB.....	White	Front	146
50S.....	Twin Coach Truck.....	Front	145	64DD.....	White	Front	146
52S.....	Twin Coach Truck.....	Front	145	740.....	White	Front	146
52S2.....	Twin Coach Truck.....	Front	145	74D.....	White	Front	146
58D.....	Twin Coach Truck.....	Front	145	79D.....	White	Front	146
B58 BUS.....	Volvo.....	Front	145	8000.....	White	Front	146
B59 BUS.....	Volvo.....	Front	145	81D.....	White	Front	146
F10.....	Volvo.....	Front	145	82D.....	White	Front	146
F12.....	Volvo.....	Front	145	86D.....	White	Front	146
F607.....	Volvo.....	Front	145	90D.....	White	Front	146
F609.....	Volvo.....	Front	145	F3-100.....	White	Front	146
F610.....	Volvo.....	Front	145	F3-120.....	White	Front	146
F611.....	Volvo.....	Front	145	F3-140.....	White	Front	146
F612.....	Volvo.....	Front	145	F3-8.....	White	Front	146
F613.....	Volvo.....	Front	145	F3-80.....	White	Front	147
F614.....	Volvo.....	Front	145	F3W-100.....	White	Front	147
F615.....	Volvo.....	Front	145	F3W-108.....	White	Front	147
F86.....	Volvo.....	Front	145	F3W-120.....	White	Front	147
F88.....	Volvo.....	Front	145	F3W-1200.....	White	Front	147
F89.....	Volvo.....	Front	145	F3W-125.....	White	Front	147
FA75.....	Volvo.....	Front	145	F3W-140.....	White	Front	147
FT6.....	Volvo.....	Front	145	F3W-1400.....	White	Front	147
N12.....	Volvo.....	Front	145	F3W-141.....	White	Front	147
N7.....	Volvo.....	Front	145	F3W-80.....	White	Front	147
FD1.....	Ward LaFrance.....	Front	146	F5-100.....	White	Front	147
FD2.....	Ward LaFrance.....	Front	146	F5-120.....	White	Front	147
F3W-1200.....	Westport.....	Front	146	F5-140.....	White	Front	147
F3W-1400.....	Westport.....	Front	146	F5-75.....	White	Front	147
F6W-1200.....	Westport.....	Front	146	F5-80.....	White	Front	147
F6W-1400.....	Westport.....	Front	146	F5W-100.....	White	Front	147
10000.....	White	Front	146	F5W-120.....	White	Front	147
106D.....	White	Front	146	F5W-140.....	White	Front	147
107D.....	White	Front	146	F5W-80.....	White	Front	147
108D.....	White	Front	146	F6W-100.....	White	Front	147
109D.....	White	Front	146	F6W-108.....	White	Front	147
110D.....	White	Front	146	F6W-120.....	White	Front	147
111D.....	White	Front	146	F6W-1200.....	White	Front	147
114D.....	White	Front	146	F6W-125.....	White	Front	147
115D.....	White	Front	146	F6W-140.....	White	Front	147

Axle numerical listing - (cont.)

Axle	Manufacturer	Section	Pg. no.	Axle	Manufacturer	Section	Pg. no.
F6W-1400.....	White.....	Front.....	147	20145.....	ArvinMeritor.....	Drive.....	150
F6W-141.....	White.....	Front.....	147	20-145.....	ArvinMeritor.....	Drive.....	150
FF931				21230.....	ArvinMeritor.....	Drive.....	150
(9/81 & Later).....	White.....	Front.....	147	21-230.....	ArvinMeritor.....	Drive.....	150
FF933				23161.....	ArvinMeritor.....	Drive.....	150
(9/81 & Later).....	White.....	Front.....	147	23-161.....	ArvinMeritor.....	Drive.....	150
FG933				23380.....	ArvinMeritor.....	Drive.....	150
(9/81 & Later).....	White.....	Front.....	147	23-380.....	ArvinMeritor.....	Drive.....	150
FL931.....	White.....	Front.....	147	26180.....	ArvinMeritor.....	Drive.....	150
FL933.....	White.....	Front.....	147	26-180.....	ArvinMeritor.....	Drive.....	150
26S.....	ACF.....	Drive.....	149	30-180.....	ArvinMeritor.....	Drive.....	150
26U.....	ACF.....	Drive.....	149	30-380.....	ArvinMeritor.....	Drive.....	150
29P.....	ACF.....	Drive.....	149	34140.....	ArvinMeritor.....	Drive.....	150
29PB.....	ACF.....	Drive.....	149	34-140.....	ArvinMeritor.....	Drive.....	150
31S.....	ACF.....	Drive.....	149	38380.....	ArvinMeritor.....	Drive.....	150
37P.....	ACF.....	Drive.....	149	38-380.....	ArvinMeritor.....	Drive.....	150
37PA.....	ACF.....	Drive.....	149	40140.....	ArvinMeritor.....	Drive.....	150
37PB.....	ACF.....	Drive.....	149	40-140.....	ArvinMeritor.....	Drive.....	150
37PBS.....	ACF.....	Drive.....	149	51524.....	ArvinMeritor.....	Drive.....	150
41S.....	ACF.....	Drive.....	149	51524N.....	ArvinMeritor.....	Drive.....	150
45S.....	ACF.....	Drive.....	149	51525.....	ArvinMeritor.....	Drive.....	150
C27.....	ACF.....	Drive.....	149	51525H.....	ArvinMeritor.....	Drive.....	150
C27B.....	ACF.....	Drive.....	149	51540N.....	ArvinMeritor.....	Drive.....	150
C31.....	ACF.....	Drive.....	149	52160.....	ArvinMeritor.....	Drive.....	150
C31B.....	ACF.....	Drive.....	149	52-160.....	ArvinMeritor.....	Drive.....	150
C36.....	ACF.....	Drive.....	149	52160P.....	ArvinMeritor.....	Drive.....	150
C40.....	ACF.....	Drive.....	149	52-160P.....	ArvinMeritor.....	Drive.....	150
C44.....	ACF.....	Drive.....	149	53300.....	ArvinMeritor.....	Drive.....	150
C48.....	ACF.....	Drive.....	149	53301.....	ArvinMeritor.....	Drive.....	150
C51.....	ACF.....	Drive.....	149	53308.....	ArvinMeritor.....	Drive.....	150
H16.....	ACF.....	Drive.....	149	53308H.....	ArvinMeritor.....	Drive.....	150
H16S.....	ACF.....	Drive.....	149	53411.....	ArvinMeritor.....	Drive.....	150
H16SE.....	ACF.....	Drive.....	149	53411H.....	ArvinMeritor.....	Drive.....	150
H9.....	ACF.....	Drive.....	149	53440.....	ArvinMeritor.....	Drive.....	150
IC37.....	ACF.....	Drive.....	149	53511.....	ArvinMeritor.....	Drive.....	150
IC41.....	ACF.....	Drive.....	149	53512.....	ArvinMeritor.....	Drive.....	150
IC41A.....	ACF.....	Drive.....	149	53512H.....	ArvinMeritor.....	Drive.....	150
P372.....	ACF.....	Drive.....	149	53521.....	ArvinMeritor.....	Drive.....	150
SU37.....	ACF.....	Drive.....	149	53526.....	ArvinMeritor.....	Drive.....	150
TC44.....	ACF.....	Drive.....	149	53543.....	ArvinMeritor.....	Drive.....	150
373.....	Aerocoach.....	Drive.....	149	53547.....	ArvinMeritor.....	Drive.....	150
P29.....	Aerocoach.....	Drive.....	149	53554.....	ArvinMeritor.....	Drive.....	150
P33.....	Aerocoach.....	Drive.....	149	53560.....	ArvinMeritor.....	Drive.....	150
P37.....	Aerocoach.....	Drive.....	149	53560H.....	ArvinMeritor.....	Drive.....	150
P372.....	Aerocoach.....	Drive.....	149	53565.....	ArvinMeritor.....	Drive.....	150
P373.....	Aerocoach.....	Drive.....	149	53566.....	ArvinMeritor.....	Drive.....	150
P411.....	Aerocoach.....	Drive.....	149	53567.....	ArvinMeritor.....	Drive.....	150
P45-37.....	Aerocoach.....	Drive.....	149	53567H.....	ArvinMeritor.....	Drive.....	150
P46-37.....	Aerocoach.....	Drive.....	149	53581TW.....	ArvinMeritor.....	Drive.....	150
T361.....	Aerocoach.....	Drive.....	149	53586.....	ArvinMeritor.....	Drive.....	150
T451.....	Aerocoach.....	Drive.....	149	53586H.....	ArvinMeritor.....	Drive.....	150
1337.....	ArvinMeritor.....	Drive.....	150	53587.....	ArvinMeritor.....	Drive.....	150
1347.....	ArvinMeritor.....	Drive.....	150	53588.....	ArvinMeritor.....	Drive.....	150
1357.....	ArvinMeritor.....	Drive.....	150	53588TW.....	ArvinMeritor.....	Drive.....	150
16140.....	ArvinMeritor.....	Drive.....	150	53589.....	ArvinMeritor.....	Drive.....	150
16-140.....	ArvinMeritor.....	Drive.....	150	53589W.....	ArvinMeritor.....	Drive.....	150
16141.....	ArvinMeritor.....	Drive.....	150	53591.....	ArvinMeritor.....	Drive.....	150
16-141.....	ArvinMeritor.....	Drive.....	150	53595.....	ArvinMeritor.....	Drive.....	150
17145.....	ArvinMeritor.....	Drive.....	150	53596.....	ArvinMeritor.....	Drive.....	150
17-145.....	ArvinMeritor.....	Drive.....	150	53599.....	ArvinMeritor.....	Drive.....	150
1737.....	ArvinMeritor.....	Drive.....	150	53599W.....	ArvinMeritor.....	Drive.....	150
1757.....	ArvinMeritor.....	Drive.....	150	53619.....	ArvinMeritor.....	Drive.....	150
1758.....	ArvinMeritor.....	Drive.....	150	53620.....	ArvinMeritor.....	Drive.....	150
19145.....	ArvinMeritor.....	Drive.....	150	53620H.....	ArvinMeritor.....	Drive.....	150
19-145.....	ArvinMeritor.....	Drive.....	150	53622.....	ArvinMeritor.....	Drive.....	150
20140.....	ArvinMeritor.....	Drive.....	150	53622H.....	ArvinMeritor.....	Drive.....	150
20-140.....	ArvinMeritor.....	Drive.....	150	53622N.....	ArvinMeritor.....	Drive.....	150

Axle numerical listing - (cont.)

Axle	Manufacturer	Section	Pg. no.	Axle	Manufacturer	Section	Pg. no.
59723W	ArvinMeritor	Drive	151	76820	ArvinMeritor	Drive	151
65264	ArvinMeritor	Drive	151	79744	ArvinMeritor	Drive	151
65265	ArvinMeritor	Drive	151	79744P	ArvinMeritor	Drive	151
65350	ArvinMeritor	Drive	151	79746	ArvinMeritor	Drive	151
65351	ArvinMeritor	Drive	151	79747	ArvinMeritor	Drive	151
65356	ArvinMeritor	Drive	151	79747P	ArvinMeritor	Drive	151
65357	ArvinMeritor	Drive	151	79750	ArvinMeritor	Drive	151
65450	ArvinMeritor	Drive	151	79750P	ArvinMeritor	Drive	151
65451	ArvinMeritor	Drive	151	93426N	ArvinMeritor	Drive	151
65456	ArvinMeritor	Drive	151	93440	ArvinMeritor	Drive	151
65456P	ArvinMeritor	Drive	151	93548	ArvinMeritor	Drive	151
65457	ArvinMeritor	Drive	151	93548N	ArvinMeritor	Drive	151
65457P	ArvinMeritor	Drive	151	93558N	ArvinMeritor	Drive	151
65743	ArvinMeritor	Drive	151	94427H	ArvinMeritor	Drive	151
66714	ArvinMeritor	Drive	151	94440	ArvinMeritor	Drive	151
66714W	ArvinMeritor	Drive	151	94441H	ArvinMeritor	Drive	151
66715	ArvinMeritor	Drive	151	94610	ArvinMeritor	Drive	151
66743	ArvinMeritor	Drive	151	95700	ArvinMeritor	Drive	151
66766	ArvinMeritor	Drive	151	96411	ArvinMeritor	Drive	151
66767	ArvinMeritor	Drive	151	96710	ArvinMeritor	Drive	151
66782	ArvinMeritor	Drive	151	96711	ArvinMeritor	Drive	151
66783	ArvinMeritor	Drive	151	98415	ArvinMeritor	Drive	151
70-380	ArvinMeritor	Drive	151	B100	ArvinMeritor	Drive	151
72301	ArvinMeritor	Drive	151	B1055	ArvinMeritor	Drive	151
72303	ArvinMeritor	Drive	151	B140	ArvinMeritor	Drive	151
74881	ArvinMeritor	Drive	151	B155	ArvinMeritor	Drive	151
74882	ArvinMeritor	Drive	151	B760	ArvinMeritor	Drive	151
75350	ArvinMeritor	Drive	151	BH150	ArvinMeritor	Drive	151
75351	ArvinMeritor	Drive	151	Bus Tag	ArvinMeritor	Drive	151
75356	ArvinMeritor	Drive	151	C100	ArvinMeritor	Drive	151
75357	ArvinMeritor	Drive	151	D100	ArvinMeritor	Drive	151
7573	ArvinMeritor	Drive	151	D140	ArvinMeritor	Drive	151
7574	ArvinMeritor	Drive	151	D3020	ArvinMeritor	Drive	151
75743	ArvinMeritor	Drive	151	D3025	ArvinMeritor	Drive	151
75746	ArvinMeritor	Drive	151	D436	ArvinMeritor	Drive	151
75746W	ArvinMeritor	Drive	151	D450	ArvinMeritor	Drive	151
7575	ArvinMeritor	Drive	151	D451	ArvinMeritor	Drive	151
7576	ArvinMeritor	Drive	151	D460	ArvinMeritor	Drive	151
75764	ArvinMeritor	Drive	151	D4600	ArvinMeritor	Drive	151
75764W	ArvinMeritor	Drive	151	D461	ArvinMeritor	Drive	151
75768	ArvinMeritor	Drive	151	D462	ArvinMeritor	Drive	151
75768W	ArvinMeritor	Drive	151	D4640	ArvinMeritor	Drive	151
75769	ArvinMeritor	Drive	151	D472	ArvinMeritor	Drive	151
75769W	ArvinMeritor	Drive	151	D473	ArvinMeritor	Drive	151
7578	ArvinMeritor	Drive	151	DBB1300	ArvinMeritor	Drive	151
75780	ArvinMeritor	Drive	151	DD3025	ArvinMeritor	Drive	151
75780W	ArvinMeritor	Drive	151	DD4600	ArvinMeritor	Drive	151
7579	ArvinMeritor	Drive	151	DD4640	ArvinMeritor	Drive	151
7581	ArvinMeritor	Drive	151	DH	ArvinMeritor	Drive	151
7582	ArvinMeritor	Drive	151	DHD	ArvinMeritor	Drive	151
76410	ArvinMeritor	Drive	151	E100	ArvinMeritor	Drive	151
76414	ArvinMeritor	Drive	151	E100DH	ArvinMeritor	Drive	151
76714	ArvinMeritor	Drive	151	E100DPH	ArvinMeritor	Drive	151
76715	ArvinMeritor	Drive	151	E100H	ArvinMeritor	Drive	151
76743	ArvinMeritor	Drive	151	E102	ArvinMeritor	Drive	151
76744	ArvinMeritor	Drive	151	E105	ArvinMeritor	Drive	151
76745	ArvinMeritor	Drive	151	E150	ArvinMeritor	Drive	151
76746	ArvinMeritor	Drive	151	E155	ArvinMeritor	Drive	151
76779	ArvinMeritor	Drive	151	E200	ArvinMeritor	Drive	151
76783	ArvinMeritor	Drive	151	E300	ArvinMeritor	Drive	151
76784	ArvinMeritor	Drive	151	E301	ArvinMeritor	Drive	151
76785	ArvinMeritor	Drive	151	E302	ArvinMeritor	Drive	151
76788	ArvinMeritor	Drive	151	E302N	ArvinMeritor	Drive	151
76789	ArvinMeritor	Drive	151	E350	ArvinMeritor	Drive	151
76790	ArvinMeritor	Drive	151	E370	ArvinMeritor	Drive	151
76810	ArvinMeritor	Drive	151	ELDD	ArvinMeritor	Drive	151
76811	ArvinMeritor	Drive	151	ELHD	ArvinMeritor	Drive	151

Axle numerical listing - (cont.)

Axle	Manufacturer	Section	Pg.	Axle	Manufacturer	Section	Pg.
EQDD	ArvinMeritor	Drive	151	H350	ArvinMeritor	Drive	152
EQHD	ArvinMeritor	Drive	151	H362	ArvinMeritor	Drive	152
ERDD	ArvinMeritor	Drive	151	H370	ArvinMeritor	Drive	152
ERLD	ArvinMeritor	Drive	151	H373	ArvinMeritor	Drive	152
ERLDD	ArvinMeritor	Drive	151	H601	ArvinMeritor	Drive	152
ERLHD	ArvinMeritor	Drive	151	HH	ArvinMeritor	Drive	152
ERQDD	ArvinMeritor	Drive	151	HHD	ArvinMeritor	Drive	152
ERQHD	ArvinMeritor	Drive	151	HHR	ArvinMeritor	Drive	152
ESHD	ArvinMeritor	Drive	151	JH	ArvinMeritor	Drive	152
ESQHD	ArvinMeritor	Drive	151	JHD	ArvinMeritor	Drive	152
ETRDD	ArvinMeritor	Drive	151	JHR	ArvinMeritor	Drive	152
F104	ArvinMeritor	Drive	151	L	ArvinMeritor	Drive	152
F105	ArvinMeritor	Drive	151	L100	ArvinMeritor	Drive	152
F106	ArvinMeritor	Drive	152	L100A	ArvinMeritor	Drive	152
F140	ArvinMeritor	Drive	152	L101	ArvinMeritor	Drive	152
F140D	ArvinMeritor	Drive	152	L110	ArvinMeritor	Drive	152
F142	ArvinMeritor	Drive	152	L110A	ArvinMeritor	Drive	152
F145	ArvinMeritor	Drive	152	L140	ArvinMeritor	Drive	152
F146	ArvinMeritor	Drive	152	L143	ArvinMeritor	Drive	152
F147	ArvinMeritor	Drive	152	L143P	ArvinMeritor	Drive	152
F149	ArvinMeritor	Drive	152	L145	ArvinMeritor	Drive	152
F245	ArvinMeritor	Drive	152	L148	ArvinMeritor	Drive	152
F340	ArvinMeritor	Drive	152	L155	ArvinMeritor	Drive	152
F341	ArvinMeritor	Drive	152	L160	ArvinMeritor	Drive	152
F345	ArvinMeritor	Drive	152	L161	ArvinMeritor	Drive	152
FH	ArvinMeritor	Drive	152	L162	ArvinMeritor	Drive	152
FHD	ArvinMeritor	Drive	152	L172	ArvinMeritor	Drive	152
FHF	ArvinMeritor	Drive	152	L173	ArvinMeritor	Drive	152
FHR	ArvinMeritor	Drive	152	L200	ArvinMeritor	Drive	152
G161	ArvinMeritor	Drive	152	L201	ArvinMeritor	Drive	152
G262	ArvinMeritor	Drive	152	L240	ArvinMeritor	Drive	152
G341	ArvinMeritor	Drive	152	L245	ArvinMeritor	Drive	152
G361	ArvinMeritor	Drive	152	L246	ArvinMeritor	Drive	152
G362	ArvinMeritor	Drive	152	L265	ArvinMeritor	Drive	152
H100	ArvinMeritor	Drive	152	L300	ArvinMeritor	Drive	152
H100A	ArvinMeritor	Drive	152	L301	ArvinMeritor	Drive	152
H101	ArvinMeritor	Drive	152	L302	ArvinMeritor	Drive	152
H110	ArvinMeritor	Drive	152	L310	ArvinMeritor	Drive	152
H120	ArvinMeritor	Drive	152	L340	ArvinMeritor	Drive	152
H130	ArvinMeritor	Drive	152	L345	ArvinMeritor	Drive	152
H140	ArvinMeritor	Drive	152	L346	ArvinMeritor	Drive	152
H141	ArvinMeritor	Drive	152	L350	ArvinMeritor	Drive	152
H143	ArvinMeritor	Drive	152	L351	ArvinMeritor	Drive	152
H145	ArvinMeritor	Drive	152	L361	ArvinMeritor	Drive	152
H150	ArvinMeritor	Drive	152	L362	ArvinMeritor	Drive	152
H151	ArvinMeritor	Drive	152	L365	ArvinMeritor	Drive	152
H153	ArvinMeritor	Drive	152	L370	ArvinMeritor	Drive	152
H156	ArvinMeritor	Drive	152	L371	ArvinMeritor	Drive	152
H161	ArvinMeritor	Drive	152	LD	ArvinMeritor	Drive	152
H162	ArvinMeritor	Drive	152	LDD	ArvinMeritor	Drive	152
H164P	ArvinMeritor	Drive	152	LDF	ArvinMeritor	Drive	152
H170	ArvinMeritor	Drive	152	LH	ArvinMeritor	Drive	152
H172	ArvinMeritor	Drive	152	LHD	ArvinMeritor	Drive	152
H173	ArvinMeritor	Drive	152	LHDA	ArvinMeritor	Drive	152
H175	ArvinMeritor	Drive	152	LHDD	ArvinMeritor	Drive	152
H200	ArvinMeritor	Drive	152	LHF	ArvinMeritor	Drive	152
H240	ArvinMeritor	Drive	152	LHK	ArvinMeritor	Drive	152
H250	ArvinMeritor	Drive	152	LHL	ArvinMeritor	Drive	152
H300	ArvinMeritor	Drive	152	LHR	ArvinMeritor	Drive	152
H300A	ArvinMeritor	Drive	152	LT200	ArvinMeritor	Drive	152
H301	ArvinMeritor	Drive	152	LT300	ArvinMeritor	Drive	152
H302	ArvinMeritor	Drive	152	LT301	ArvinMeritor	Drive	152
H302HD	ArvinMeritor	Drive	152	LT310	ArvinMeritor	Drive	152
H310	ArvinMeritor	Drive	152	LT340	ArvinMeritor	Drive	152
H320	ArvinMeritor	Drive	152	MD20143	ArvinMeritor	Drive	152
H340	ArvinMeritor	Drive	152	MP20143	ArvinMeritor	Drive	152
H341	ArvinMeritor	Drive	152	P174	ArvinMeritor	Drive	152

APPLICATIONS
 TRAILER, TAG & PUSHER AXLES
 FRONT AXLES
 DRIVE AXLES
 PINION SEALS
 CONMET®
 LIGHT TRUCK

Axle numerical listing - (cont.)

Axle	Manufacturer	Section	Pg. no.	Axle	Manufacturer	Section	Pg. no.
P601	ArvinMeritor	Drive	152	QD	ArvinMeritor	Drive	152
PR100	ArvinMeritor	Drive	152	QDA	ArvinMeritor	Drive	152
PR101	ArvinMeritor	Drive	152	QDD	ArvinMeritor	Drive	152
PR102	ArvinMeritor	Drive	152	QDF	ArvinMeritor	Drive	152
PR103	ArvinMeritor	Drive	152	QDR	ArvinMeritor	Drive	152
PR104	ArvinMeritor	Drive	152	QH	ArvinMeritor	Drive	152
PR105	ArvinMeritor	Drive	152	QHB	ArvinMeritor	Drive	152
PR106	ArvinMeritor	Drive	152	QHD	ArvinMeritor	Drive	152
PR107	ArvinMeritor	Drive	152	QHDA	ArvinMeritor	Drive	152
PR118ZH	ArvinMeritor	Drive	152	QHF	ArvinMeritor	Drive	152
PR150	ArvinMeritor	Drive	152	QHP	ArvinMeritor	Drive	152
PR151	ArvinMeritor	Drive	152	QHR	ArvinMeritor	Drive	152
PR152	ArvinMeritor	Drive	152	QT140	ArvinMeritor	Drive	152
PR200	ArvinMeritor	Drive	152	QT143	ArvinMeritor	Drive	152
PR201	ArvinMeritor	Drive	152	QT143P	ArvinMeritor	Drive	152
PR202	ArvinMeritor	Drive	152	QT145	ArvinMeritor	Drive	152
PR203	ArvinMeritor	Drive	152	QT200	ArvinMeritor	Drive	152
PR204	ArvinMeritor	Drive	152	QT201	ArvinMeritor	Drive	152
PR205	ArvinMeritor	Drive	152	QT230	ArvinMeritor	Drive	152
PR206	ArvinMeritor	Drive	152	QT240	ArvinMeritor	Drive	152
PR207	ArvinMeritor	Drive	152	QT300	ArvinMeritor	Drive	152
PR50H	ArvinMeritor	Drive	152	QT301	ArvinMeritor	Drive	152
PR50N	ArvinMeritor	Drive	152	QT330	ArvinMeritor	Drive	152
PR75N	ArvinMeritor	Drive	152	QT340	ArvinMeritor	Drive	152
PR80H	ArvinMeritor	Drive	152	QT341	ArvinMeritor	Drive	152
PRM150	ArvinMeritor	Drive	152	QT342	ArvinMeritor	Drive	152
PS150	ArvinMeritor	Drive	152	QT342A	ArvinMeritor	Drive	152
PS151	ArvinMeritor	Drive	152	QT342P	ArvinMeritor	Drive	152
PS152	ArvinMeritor	Drive	152	QT345	ArvinMeritor	Drive	153
PS200	ArvinMeritor	Drive	152	QT346	ArvinMeritor	Drive	153
PS201	ArvinMeritor	Drive	152	QT350	ArvinMeritor	Drive	153
PS202	ArvinMeritor	Drive	152	QT360	ArvinMeritor	Drive	153
PS203	ArvinMeritor	Drive	152	QT365	ArvinMeritor	Drive	153
PS250	ArvinMeritor	Drive	152	QT367	ArvinMeritor	Drive	153
PS251	ArvinMeritor	Drive	152	QT540	ArvinMeritor	Drive	153
PS252	ArvinMeritor	Drive	152	QW	ArvinMeritor	Drive	153
PS50H	ArvinMeritor	Drive	152	QWF	ArvinMeritor	Drive	153
PSM201	ArvinMeritor	Drive	152	QWR	ArvinMeritor	Drive	153
PSM250	ArvinMeritor	Drive	152	R100	ArvinMeritor	Drive	153
Q100	ArvinMeritor	Drive	152	R100A	ArvinMeritor	Drive	153
Q100A	ArvinMeritor	Drive	152	R101	ArvinMeritor	Drive	153
Q101	ArvinMeritor	Drive	152	R101A	ArvinMeritor	Drive	153
Q110	ArvinMeritor	Drive	152	R110	ArvinMeritor	Drive	153
Q111	ArvinMeritor	Drive	152	R110A	ArvinMeritor	Drive	153
Q130	ArvinMeritor	Drive	152	R112	ArvinMeritor	Drive	153
Q143	ArvinMeritor	Drive	152	R113	ArvinMeritor	Drive	153
Q145	ArvinMeritor	Drive	152	R114	ArvinMeritor	Drive	153
Q148	ArvinMeritor	Drive	152	R115	ArvinMeritor	Drive	153
Q150	ArvinMeritor	Drive	152	R120	ArvinMeritor	Drive	153
Q155	ArvinMeritor	Drive	152	R130	ArvinMeritor	Drive	153
Q200	ArvinMeritor	Drive	152	R140	ArvinMeritor	Drive	153
Q200A	ArvinMeritor	Drive	152	R141	ArvinMeritor	Drive	153
Q201	ArvinMeritor	Drive	152	R141P	ArvinMeritor	Drive	153
Q230	ArvinMeritor	Drive	152	R143	ArvinMeritor	Drive	153
Q240	ArvinMeritor	Drive	152	R143P	ArvinMeritor	Drive	153
Q245	ArvinMeritor	Drive	152	R143W	ArvinMeritor	Drive	153
Q246	ArvinMeritor	Drive	152	R153	ArvinMeritor	Drive	153
Q246P	ArvinMeritor	Drive	152	R155	ArvinMeritor	Drive	153
Q265	ArvinMeritor	Drive	152	R158	ArvinMeritor	Drive	153
Q300	ArvinMeritor	Drive	152	R160	ArvinMeritor	Drive	153
Q301	ArvinMeritor	Drive	152	R160P	ArvinMeritor	Drive	153
Q345	ArvinMeritor	Drive	152	R162	ArvinMeritor	Drive	153
Q346	ArvinMeritor	Drive	152	R163	ArvinMeritor	Drive	153
Q346P	ArvinMeritor	Drive	152	R164	ArvinMeritor	Drive	153
Q370	ArvinMeritor	Drive	152	R170	ArvinMeritor	Drive	153
Q380	ArvinMeritor	Drive	152	R171	ArvinMeritor	Drive	153
Q390	ArvinMeritor	Drive	152	R172	ArvinMeritor	Drive	153

Axle numerical listing - (cont.)

Axle	Manufacturer	Section	Pg.	Axle	Manufacturer	Section	Pg.
R173	ArvinMeritor	Drive	153	RR20145	ArvinMeritor	Drive	153
R200	ArvinMeritor	Drive	153	RR20160	ArvinMeritor	Drive	153
R200A	ArvinMeritor	Drive	153	RR22145	ArvinMeritor	Drive	153
R201	ArvinMeritor	Drive	153	RR23160	ArvinMeritor	Drive	153
R202	ArvinMeritor	Drive	153	RR23164	ArvinMeritor	Drive	153
R202P	ArvinMeritor	Drive	153	RR25160	ArvinMeritor	Drive	153
R210	ArvinMeritor	Drive	153	RR26160	ArvinMeritor	Drive	153
R220	ArvinMeritor	Drive	153	RS13120	ArvinMeritor	Drive	153
R221	ArvinMeritor	Drive	153	RS15120	ArvinMeritor	Drive	153
R223	ArvinMeritor	Drive	153	RS15125	ArvinMeritor	Drive	153
R230	ArvinMeritor	Drive	153	RS15210	ArvinMeritor	Drive	153
R235	ArvinMeritor	Drive	153	RS16140	ArvinMeritor	Drive	153
R241	ArvinMeritor	Drive	153	RS16141	ArvinMeritor	Drive	153
R255	ArvinMeritor	Drive	153	RS17140	ArvinMeritor	Drive	153
R270	ArvinMeritor	Drive	153	RS17141	ArvinMeritor	Drive	153
R300	ArvinMeritor	Drive	153	RS17220	ArvinMeritor	Drive	153
R300A	ArvinMeritor	Drive	153	RS19145	ArvinMeritor	Drive	153
R300B	ArvinMeritor	Drive	153	RS20145	ArvinMeritor	Drive	153
R301	ArvinMeritor	Drive	153	RS20230	ArvinMeritor	Drive	153
R301A	ArvinMeritor	Drive	153	RS21145	ArvinMeritor	Drive	153
R301B	ArvinMeritor	Drive	153	RS21160	ArvinMeritor	Drive	153
R301C	ArvinMeritor	Drive	153	RS21161	ArvinMeritor	Drive	153
R302	ArvinMeritor	Drive	153	RS23160	ArvinMeritor	Drive	153
R302P	ArvinMeritor	Drive	153	RS23160A	ArvinMeritor	Drive	153
R310	ArvinMeritor	Drive	153	RS23160C	ArvinMeritor	Drive	153
R3100W	ArvinMeritor	Drive	153	RS23161	ArvinMeritor	Drive	153
R3102W	ArvinMeritor	Drive	153	RS23180	ArvinMeritor	Drive	153
R320	ArvinMeritor	Drive	153	RS23185	ArvinMeritor	Drive	153
R320P	ArvinMeritor	Drive	153	RS23186	ArvinMeritor	Drive	153
R321	ArvinMeritor	Drive	153	RS23240	ArvinMeritor	Drive	153
R330	ArvinMeritor	Drive	153	RS23380	ArvinMeritor	Drive	153
R335P	ArvinMeritor	Drive	153	RS24160	ArvinMeritor	Drive	153
R355	ArvinMeritor	Drive	153	RS24161	ArvinMeritor	Drive	153
R362	ArvinMeritor	Drive	153	RS25160	ArvinMeritor	Drive	153
R380	ArvinMeritor	Drive	153	RS25161	ArvinMeritor	Drive	153
R390	ArvinMeritor	Drive	153	RS26160	ArvinMeritor	Drive	153
R462	ArvinMeritor	Drive	153	RS26161	ArvinMeritor	Drive	153
R601	ArvinMeritor	Drive	153	RS26180	ArvinMeritor	Drive	153
RA173	ArvinMeritor	Drive	153	RS26185	ArvinMeritor	Drive	153
RD	ArvinMeritor	Drive	153	RS26380	ArvinMeritor	Drive	153
RD17145	ArvinMeritor	Drive	153	RS30180	ArvinMeritor	Drive	153
RD20140	ArvinMeritor	Drive	153	RS30185	ArvinMeritor	Drive	153
RD20145	ArvinMeritor	Drive	153	RS30380	ArvinMeritor	Drive	153
RD20160	ArvinMeritor	Drive	153	RS38380	ArvinMeritor	Drive	153
RD22145	ArvinMeritor	Drive	153	RT140	ArvinMeritor	Drive	153
RD23160	ArvinMeritor	Drive	153	RT141	ArvinMeritor	Drive	153
RD23164	ArvinMeritor	Drive	153	RT141P	ArvinMeritor	Drive	153
RD25160	ArvinMeritor	Drive	153	RT170	ArvinMeritor	Drive	153
RD26160	ArvinMeritor	Drive	153	RT240	ArvinMeritor	Drive	153
RDD	ArvinMeritor	Drive	153	RT240P	ArvinMeritor	Drive	153
RDF	ArvinMeritor	Drive	153	RT241	ArvinMeritor	Drive	153
RDP	ArvinMeritor	Drive	153	RT241P	ArvinMeritor	Drive	153
RHA	ArvinMeritor	Drive	153	RT243	ArvinMeritor	Drive	153
RHD	ArvinMeritor	Drive	153	RT265	ArvinMeritor	Drive	153
RHDA	ArvinMeritor	Drive	153	RT340	ArvinMeritor	Drive	153
RHR	ArvinMeritor	Drive	153	RT341	ArvinMeritor	Drive	153
RL170	ArvinMeritor	Drive	153	RT34145	ArvinMeritor	Drive	153
RL172	ArvinMeritor	Drive	153	RT34145P	ArvinMeritor	Drive	153
RP20145	ArvinMeritor	Drive	153	RT341P	ArvinMeritor	Drive	153
RP20160	ArvinMeritor	Drive	153	RT343	ArvinMeritor	Drive	153
RP22145	ArvinMeritor	Drive	153	RT360	ArvinMeritor	Drive	153
RP23160	ArvinMeritor	Drive	153	RT365	ArvinMeritor	Drive	153
RP23164	ArvinMeritor	Drive	153	RT40145	ArvinMeritor	Drive	153
RP25160	ArvinMeritor	Drive	153	RT40145P	ArvinMeritor	Drive	153
RP26160	ArvinMeritor	Drive	153	RT44145	ArvinMeritor	Drive	153
RR17145	ArvinMeritor	Drive	153	RT44145P	ArvinMeritor	Drive	153
RR20140	ArvinMeritor	Drive	153	RT46146P	ArvinMeritor	Drive	153

APPLICATIONS
 TRAILER, TAG & PUSH AXLES
 FRONT AXLES
 DRIVE AXLES
 PINION SEALS
 CONMET®
 LIGHT TRUCK

Axle numerical listing - (cont.)

Axle	Manufacturer	Section	Pg. no.	Axle	Manufacturer	Section	Pg. no.
RT46160	ArvinMeritor	Drive	153	SL100P	ArvinMeritor	Drive	154
RT46-160	ArvinMeritor	Drive	153	SL340	ArvinMeritor	Drive	154
RT46160A	ArvinMeritor	Drive	153	SLD	ArvinMeritor	Drive	154
RT48180	ArvinMeritor	Drive	153	SLDA	ArvinMeritor	Drive	154
RT48185	ArvinMeritor	Drive	153	SLDD	ArvinMeritor	Drive	154
RT48380	ArvinMeritor	Drive	153	SLDDA	ArvinMeritor	Drive	154
RT52-160	ArvinMeritor	Drive	153	SLHA	ArvinMeritor	Drive	154
RT52180	ArvinMeritor	Drive	153	SLHD	ArvinMeritor	Drive	154
RT52380	ArvinMeritor	Drive	153	SLHDA	ArvinMeritor	Drive	154
RT58180	ArvinMeritor	Drive	153	SLHR	ArvinMeritor	Drive	154
RT58-180	ArvinMeritor	Drive	153	SQ100	ArvinMeritor	Drive	154
RT58185	ArvinMeritor	Drive	153	SQ100AL	ArvinMeritor	Drive	154
RT58-380	ArvinMeritor	Drive	153	SQ100P	ArvinMeritor	Drive	154
RT70380	ArvinMeritor	Drive	153	SQ100PAL	ArvinMeritor	Drive	154
S170	ArvinMeritor	Drive	153	SQD	ArvinMeritor	Drive	154
S200	ArvinMeritor	Drive	153	SQDA	ArvinMeritor	Drive	154
S300	ArvinMeritor	Drive	153	SQDD	ArvinMeritor	Drive	154
SBB1300	ArvinMeritor	Drive	153	SQHD	ArvinMeritor	Drive	154
SBB700	ArvinMeritor	Drive	153	SQHP	ArvinMeritor	Drive	154
SBD1055	ArvinMeritor	Drive	153	SQR100	ArvinMeritor	Drive	154
SBD1500	ArvinMeritor	Drive	153	SQR100P	ArvinMeritor	Drive	154
SBD1501	ArvinMeritor	Drive	153	SQTT235	ArvinMeritor	Drive	154
SBD1502	ArvinMeritor	Drive	153	SQTT335	ArvinMeritor	Drive	154
SBD1555	ArvinMeritor	Drive	153	SQW	ArvinMeritor	Drive	154
SBD1555A	ArvinMeritor	Drive	153	SR170	ArvinMeritor	Drive	154
SD3000	ArvinMeritor	Drive	153	SR270	ArvinMeritor	Drive	154
SD3010	ArvinMeritor	Drive	153	SR280	ArvinMeritor	Drive	154
SD3010P	ArvinMeritor	Drive	153	SRD	ArvinMeritor	Drive	154
SD3011	ArvinMeritor	Drive	153	SRDD	ArvinMeritor	Drive	154
SD3020	ArvinMeritor	Drive	153	SRDR	ArvinMeritor	Drive	154
SD3025	ArvinMeritor	Drive	153	SRHD	ArvinMeritor	Drive	154
SD353	ArvinMeritor	Drive	153	SSH	ArvinMeritor	Drive	154
SD436	ArvinMeritor	Drive	153	STD	ArvinMeritor	Drive	154
SD454	ArvinMeritor	Drive	153	STDA	ArvinMeritor	Drive	154
SD462	ArvinMeritor	Drive	154	STDD	ArvinMeritor	Drive	154
SD466	ArvinMeritor	Drive	154	STDDA	ArvinMeritor	Drive	154
SD472	ArvinMeritor	Drive	154	STHD	ArvinMeritor	Drive	154
SD473	ArvinMeritor	Drive	154	SU170	ArvinMeritor	Drive	154
SDD3000	ArvinMeritor	Drive	154	SU270	ArvinMeritor	Drive	154
SDD454	ArvinMeritor	Drive	154	SU280	ArvinMeritor	Drive	154
SDF450	ArvinMeritor	Drive	154	SUD	ArvinMeritor	Drive	154
SDHD	ArvinMeritor	Drive	154	SUDA	ArvinMeritor	Drive	154
SFD	ArvinMeritor	Drive	154	SUDB	ArvinMeritor	Drive	154
SFD157	ArvinMeritor	Drive	154	SUDD	ArvinMeritor	Drive	154
SFD3020	ArvinMeritor	Drive	154	SUDDDB	ArvinMeritor	Drive	154
SFD450	ArvinMeritor	Drive	154	SUDR	ArvinMeritor	Drive	154
SFD451	ArvinMeritor	Drive	154	SUHD	ArvinMeritor	Drive	154
SFD454	ArvinMeritor	Drive	154	SW100P	ArvinMeritor	Drive	154
SFD460	ArvinMeritor	Drive	154	SW170	ArvinMeritor	Drive	154
SFD4600	ArvinMeritor	Drive	154	SW251	ArvinMeritor	Drive	154
SFD461	ArvinMeritor	Drive	154	SW270	ArvinMeritor	Drive	154
SFD4640	ArvinMeritor	Drive	154	SW280	ArvinMeritor	Drive	154
SFD4700	ArvinMeritor	Drive	154	SW3000	ArvinMeritor	Drive	154
SFD760	ArvinMeritor	Drive	154	SW3002	ArvinMeritor	Drive	154
SFDD	ArvinMeritor	Drive	154	SW3003	ArvinMeritor	Drive	154
SFDD3020	ArvinMeritor	Drive	154	SW3010	ArvinMeritor	Drive	154
SFDD4600	ArvinMeritor	Drive	154	SW3010P	ArvinMeritor	Drive	154
SFDD4640	ArvinMeritor	Drive	154	SW3012	ArvinMeritor	Drive	154
SFDD4740	ArvinMeritor	Drive	154	SW3012P	ArvinMeritor	Drive	154
SFHD	ArvinMeritor	Drive	154	SW3013	ArvinMeritor	Drive	154
SH	ArvinMeritor	Drive	154	SW3013A	ArvinMeritor	Drive	154
SHD	ArvinMeritor	Drive	154	SW3014	ArvinMeritor	Drive	154
SHHD	ArvinMeritor	Drive	154	SW3014A	ArvinMeritor	Drive	154
SHP	ArvinMeritor	Drive	154	SW3014P	ArvinMeritor	Drive	154
SHR	ArvinMeritor	Drive	154	SW3020	ArvinMeritor	Drive	154
SJHD	ArvinMeritor	Drive	154	SW3020P	ArvinMeritor	Drive	154
SL100	ArvinMeritor	Drive	154	SW3022	ArvinMeritor	Drive	154

Axle numerical listing - (cont.)

Axle	Manufacturer	Section	Pg.	Axle	Manufacturer	Section	Pg.
SW3452.....	ArvinMeritor	Drive	154	E200	ArvinMeritor (School Bus)Drive	169	
SW3456.....	ArvinMeritor	Drive	154	E300	ArvinMeritor (School Bus)Drive	169	
SW3456B.....	ArvinMeritor	Drive	154	E302	ArvinMeritor (School Bus)Drive	169	
SW3458.....	ArvinMeritor	Drive	154	F104	ArvinMeritor (School Bus)Drive	169	
SW3458A.....	ArvinMeritor	Drive	154	F106	ArvinMeritor (School Bus)Drive	169	
SW452.....	ArvinMeritor	Drive	154	F145	ArvinMeritor (School Bus)Drive	169	
SW456.....	ArvinMeritor	Drive	154	F245	ArvinMeritor (School Bus)Drive	169	
SW456A.....	ArvinMeritor	Drive	154	F345	ArvinMeritor (School Bus)Drive	169	
SW456P.....	ArvinMeritor	Drive	154	H100	ArvinMeritor (School Bus)Drive	169	
SW457.....	ArvinMeritor	Drive	154	H110	ArvinMeritor (School Bus)Drive	169	
SW458.....	ArvinMeritor	Drive	154	H120	ArvinMeritor (School Bus)Drive	169	
SW460.....	ArvinMeritor	Drive	154	H140	ArvinMeritor (School Bus)Drive	169	
SW462.....	ArvinMeritor	Drive	154	H150	ArvinMeritor (School Bus)Drive	169	
SWD459.....	ArvinMeritor	Drive	154	H151	ArvinMeritor (School Bus)Drive	169	
SWD459P.....	ArvinMeritor	Drive	154	H153	ArvinMeritor (School Bus)Drive	169	
T155.....	ArvinMeritor	Drive	154	H156	ArvinMeritor (School Bus)Drive	169	
T175.....	ArvinMeritor	Drive	154	H170.....	ArvinMeritor (School Bus)Drive	169	
TD.....	ArvinMeritor	Drive	154	H172.....	ArvinMeritor (School Bus)Drive	169	
TDD.....	ArvinMeritor	Drive	154	H173.....	ArvinMeritor (School Bus)Drive	169	
THD.....	ArvinMeritor	Drive	154	H175.....	ArvinMeritor (School Bus)Drive	169	
THR.....	ArvinMeritor	Drive	154	H200.....	ArvinMeritor (School Bus)Drive	169	
TR8670.....	ArvinMeritor	Drive	154	H240.....	ArvinMeritor (School Bus)Drive	169	
TR8680.....	ArvinMeritor	Drive	154	H300 (Thru 1981)..	ArvinMeritor (School Bus)Drive	169	
U140.....	ArvinMeritor	Drive	154	H301.....	ArvinMeritor (School Bus)Drive	169	
U170.....	ArvinMeritor	Drive	154	H310.....	ArvinMeritor (School Bus)Drive	169	
U180.....	ArvinMeritor	Drive	154	H320.....	ArvinMeritor (School Bus)Drive	169	
U200.....	ArvinMeritor	Drive	154	H340 (Thru 1981)..	ArvinMeritor (School Bus)Drive	169	
U200A.....	ArvinMeritor	Drive	154	H350.....	ArvinMeritor (School Bus)Drive	169	
U200B.....	ArvinMeritor	Drive	154	H370.....	ArvinMeritor (School Bus)Drive	169	
U240.....	ArvinMeritor	Drive	154	L155.....	ArvinMeritor (School Bus)Drive	169	
U300.....	ArvinMeritor	Drive	154	L172.....	ArvinMeritor (School Bus)Drive	169	
U300A.....	ArvinMeritor	Drive	154	RS13120.....	ArvinMeritor (School Bus)Drive	169	
U300B.....	ArvinMeritor	Drive	154	RS15210.....	ArvinMeritor (School Bus)Drive	169	
U340.....	ArvinMeritor	Drive	154	RS17140.....	ArvinMeritor (School Bus)Drive	169	
UD.....	ArvinMeritor	Drive	154	RS17220.....	ArvinMeritor (School Bus)Drive	169	
UDA.....	ArvinMeritor	Drive	154	C20.....	Autocar	Drive	169
UDD.....	ArvinMeritor	Drive	154	C7062.....	Autocar	Drive	169
UDR.....	ArvinMeritor	Drive	154	C80.....	Autocar	Drive	169
UH.....	ArvinMeritor	Drive	154	C8044.....	Autocar	Drive	169
UHD.....	ArvinMeritor	Drive	154	C8064.....	Autocar	Drive	169
UHR.....	ArvinMeritor	Drive	154	C80T.....	Autocar	Drive	169
W170.....	ArvinMeritor	Drive	154	C80TB.....	Autocar	Drive	169
W200.....	ArvinMeritor	Drive	154	C80TS.....	Autocar	Drive	169
W270.....	ArvinMeritor	Drive	154	C85.....	Autocar	Drive	169
W3003.....	ArvinMeritor	Drive	154	C85T.....	Autocar	Drive	169
W3013.....	ArvinMeritor	Drive	154	C90.....	Autocar	Drive	169
W3014.....	ArvinMeritor	Drive	154	C9064.....	Autocar	Drive	169
W3020.....	ArvinMeritor	Drive	154	C90D.....	Autocar	Drive	169
W3022.....	ArvinMeritor	Drive	154	C90T.....	Autocar	Drive	169
W3456.....	ArvinMeritor	Drive	154	C95.....	Autocar	Drive	169
W3458.....	ArvinMeritor	Drive	154	C95T.....	Autocar	Drive	169
W456.....	ArvinMeritor	Drive	154	D100.....	Autocar	Drive	169
W457.....	ArvinMeritor	Drive	154	DC100.....	Autocar	Drive	169
W458.....	ArvinMeritor	Drive	154	DC100T.....	Autocar	Drive	169
W459.....	ArvinMeritor	Drive	154	DC103D.....	Autocar	Drive	169
W460.....	ArvinMeritor	Drive	154	DC103D-OH.....	Autocar	Drive	169
B1055.....	ArvinMeritor (School Bus)Drive	169		DC20.....	Autocar	Drive	169
BH150.....	ArvinMeritor (School Bus)Drive	169		U20.....	Autocar	Drive	169
C100.....	ArvinMeritor (School Bus)Drive	169		U8064.....	Autocar	Drive	169
D100.....	ArvinMeritor (School Bus)Drive	169		U90.....	Autocar	Drive	169
D140.....	ArvinMeritor (School Bus)Drive	169		U9064.....	Autocar	Drive	169
DBB1300.....	ArvinMeritor (School Bus)Drive	169		U90D.....	Autocar	Drive	169
E100.....	ArvinMeritor (School Bus)Drive	169		U90T.....	Autocar	Drive	169
E102.....	ArvinMeritor (School Bus)Drive	169		250.....	Available	Drive	170
E105.....	ArvinMeritor (School Bus)Drive	169		400.....	Available	Drive	170
E150.....	ArvinMeritor (School Bus)Drive	169		500.....	Available	Drive	170
E155.....	ArvinMeritor (School Bus)Drive	169		550.....	Available	Drive	170

A P P L I C A T I O N S
TRAILER, TAG & PUSHER AXLES
FRONT AXLES
DRIVE AXLES
PINION SEALS
CONMET®
LIGHT TRUCK

Axle numerical listing - (cont.)

Axle	Manufacturer	Section	Pg. no.	Axle	Manufacturer	Section	Pg. no.
550X	Available	Drive	170	520	Diamond T	Drive	173
560	Available	Drive	170	620	Diamond T	Drive	173
560S	Available	Drive	170	720	Diamond T	Drive	173
600	Available	Drive	170	720C	Diamond T	Drive	173
601	Available	Drive	170	722	Diamond T	Drive	173
602	Available	Drive	170	723	Diamond T	Drive	173
610	Available	Drive	170	723C	Diamond T	Drive	173
620	Available	Drive	170	723CJT	Diamond T	Drive	173
630	Available	Drive	170	730	Diamond T	Drive	173
660S	Available	Drive	170	734	Diamond T	Drive	173
18 Series	Brockway	Drive	171	738	Diamond T	Drive	173
27 Series	Brockway	Drive	171	738R	Diamond T	Drive	173
35 Series	Brockway	Drive	171	810H	Diamond T	Drive	173
38D	Brockway	Drive	171	830	Diamond T	Drive	173
D380 Series	Brockway	Drive	171	831	Diamond T	Drive	173
SFDD4640	Brockway	Drive	171	838	Diamond T	Drive	173
SUDD	Brockway	Drive	171	920	Diamond T	Drive	173
146W	Brockway Truck	Drive	171	921BR	Diamond T	Drive	173
148W	Brockway Truck	Drive	171	921CNT	Diamond T	Drive	173
151W	Brockway Truck	Drive	171	921DBN	Diamond T	Drive	173
152BB	Brockway Truck	Drive	171	921FN	Diamond T	Drive	173
152W96	Brockway Truck	Drive	171	921N	Diamond T	Drive	173
153BB	Brockway Truck	Drive	171	921NT	Diamond T	Drive	173
153SQ	Brockway Truck	Drive	171	923	Diamond T	Drive	173
153W	Brockway Truck	Drive	171	923C	Diamond T	Drive	173
165	Brockway Truck	Drive	171	950	Diamond T	Drive	173
165X	Brockway Truck	Drive	171	951	Diamond T	Drive	173
166	Brockway Truck	Drive	171	951S	Diamond T	Drive	173
170X	Brockway Truck	Drive	171	D3000	Diamond T	Drive	173
175X	Brockway Truck	Drive	171	1315	Dodge	Drive	174
195X	Brockway Truck	Drive	171	1350A5	Dodge	Drive	174
220X	Brockway Truck	Drive	171	15 Series	Dodge	Drive	174
260SQ	Brockway Truck	Drive	171	16 Series	Dodge	Drive	174
260X	Brockway Truck	Drive	171	16800	Dodge	Drive	174
260XL	Brockway Truck	Drive	171	16801	Dodge	Drive	174
260XW	Brockway Truck	Drive	171	17 Series	Dodge	Drive	174
260XWL	Brockway Truck	Drive	171	18 Series	Dodge	Drive	174
KP	Brown	Drive	171	18100	Dodge	Drive	174
KT	Brown	Drive	171	18101	Dodge	Drive	174
LP	Brown	Drive	171	18120	Dodge	Drive	174
LS	Brown	Drive	171	18201	Dodge	Drive	174
LT	Brown	Drive	171	18301	Dodge	Drive	174
TR6572	Brown	Drive	171	18302	Dodge	Drive	174
R1250	Clark	Drive	172	1880	Dodge	Drive	174
RD-22500	Clark	Drive	172	1881	Dodge	Drive	174
SD12	Coleman	Drive	172	18812	Dodge	Drive	174
SD9	Coleman	Drive	172	19 Series	Dodge	Drive	174
201	Diamond T	Drive	173	1910	Dodge	Drive	174
222	Diamond T	Drive	173	1911	Dodge	Drive	174
244S	Diamond T	Drive	173	1918	Dodge	Drive	174
3000	Diamond T	Drive	173	19800	Dodge	Drive	174
301	Diamond T	Drive	173	30D	Dodge	Drive	174
304	Diamond T	Drive	173	30DSC	Dodge	Drive	174
306	Diamond T	Drive	173	30RSC	Dodge	Drive	174
306C	Diamond T	Drive	173	34D	Dodge	Drive	174
306H	Diamond T	Drive	173	38D	Dodge	Drive	174
306SC	Diamond T	Drive	173	38D3	Dodge	Drive	174
307	Diamond T	Drive	173	38D3B	Dodge	Drive	174
322	Diamond T	Drive	173	38D3C	Dodge	Drive	174
323	Diamond T	Drive	173	38D3D	Dodge	Drive	174
323C	Diamond T	Drive	173	38D3E	Dodge	Drive	174
4 Ton Wrecker	Diamond T	Drive	173	38DP	Dodge	Drive	174
401	Diamond T	Drive	173	38DPC	Dodge	Drive	174
404	Diamond T	Drive	173	38DPE	Dodge	Drive	174
404C	Diamond T	Drive	173	38DS	Dodge	Drive	174
422	Diamond T	Drive	173	38DSC	Dodge	Drive	174
422C	Diamond T	Drive	173	38DSE	Dodge	Drive	174

Axle numerical listing - (cont.)

Axle	Manufacturer	Section	Pg.	Axle	Manufacturer	Section	Pg.
38DT.....	Dodge.....	Drive.....	174	1350.....	Eaton.....	Drive.....	176
38DTC.....	Dodge.....	Drive.....	174	13600.....	Eaton.....	Drive.....	176
38DTE.....	Dodge.....	Drive.....	174	13602.....	Eaton.....	Drive.....	176
38R3.....	Dodge.....	Drive.....	174	13800.....	Eaton.....	Drive.....	176
38R3C.....	Dodge.....	Drive.....	174	13802.....	Eaton.....	Drive.....	176
38R3E.....	Dodge.....	Drive.....	174	13803.....	Eaton.....	Drive.....	176
38RP.....	Dodge.....	Drive.....	174	15040P.....	Eaton.....	Drive.....	176
38RPC.....	Dodge.....	Drive.....	174	15040S.....	Eaton.....	Drive.....	176
38RPE.....	Dodge.....	Drive.....	174	15040T.....	Eaton.....	Drive.....	176
38RSC.....	Dodge.....	Drive.....	174	15101.....	Eaton.....	Drive.....	176
38RSE.....	Dodge.....	Drive.....	174	15121.....	Eaton.....	Drive.....	176
38RT.....	Dodge.....	Drive.....	174	15201.....	Eaton.....	Drive.....	176
38RTC.....	Dodge.....	Drive.....	174	15301.....	Eaton.....	Drive.....	176
38RTE.....	Dodge.....	Drive.....	174	16000.....	Eaton.....	Drive.....	176
8803.....	Dodge.....	Drive.....	174	16001.....	Eaton.....	Drive.....	176
AY3.....	Dodge.....	Drive.....	174	16050.....	Eaton.....	Drive.....	176
BY3.....	Dodge.....	Drive.....	174	16051.....	Eaton.....	Drive.....	176
H100.....	Dodge.....	Drive.....	174	16120.....	Eaton.....	Drive.....	176
H120.....	Dodge.....	Drive.....	174	161201.....	Eaton.....	Drive.....	176
H161.....	Dodge.....	Drive.....	174	16120-1.....	Eaton.....	Drive.....	176
H172.....	Dodge.....	Drive.....	174	16121.....	Eaton.....	Drive.....	176
H320.....	Dodge.....	Drive.....	174	16122.....	Eaton.....	Drive.....	176
H341.....	Dodge.....	Drive.....	174	1614.....	Eaton.....	Drive.....	176
L100.....	Dodge.....	Drive.....	174	1615.....	Eaton.....	Drive.....	176
L110.....	Dodge.....	Drive.....	174	1618.....	Eaton.....	Drive.....	176
L140.....	Dodge.....	Drive.....	174	1619.....	Eaton.....	Drive.....	176
L145.....	Dodge.....	Drive.....	174	1620.....	Eaton.....	Drive.....	176
L200.....	Dodge.....	Drive.....	174	16220.....	Eaton.....	Drive.....	176
L245.....	Dodge.....	Drive.....	174	162201.....	Eaton.....	Drive.....	176
L300.....	Dodge.....	Drive.....	174	16220-1.....	Eaton.....	Drive.....	176
L340.....	Dodge.....	Drive.....	174	16221.....	Eaton.....	Drive.....	176
L345.....	Dodge.....	Drive.....	174	16244.....	Eaton.....	Drive.....	176
R/W L155.....	Dodge.....	Drive.....	174	16247.....	Eaton.....	Drive.....	176
R/W Q Series.....	Dodge.....	Drive.....	174	16320.....	Eaton.....	Drive.....	176
R/W R Series.....	Dodge.....	Drive.....	174	163201.....	Eaton.....	Drive.....	176
RA115.....	Dodge.....	Drive.....	174	16320-1.....	Eaton.....	Drive.....	176
RQ Series.....	Dodge.....	Drive.....	174	16321.....	Eaton.....	Drive.....	176
RSH Series.....	Dodge.....	Drive.....	174	16344.....	Eaton.....	Drive.....	176
RSL155.....	Dodge.....	Drive.....	174	16500.....	Eaton.....	Drive.....	176
FA824.....	Duplex.....	Drive.....	175	16501.....	Eaton.....	Drive.....	176
K50T.....	Duplex.....	Drive.....	175	16600.....	Eaton.....	Drive.....	176
L.....	Duplex.....	Drive.....	175	16601.....	Eaton.....	Drive.....	176
L6602.....	Duplex.....	Drive.....	175	16602.....	Eaton.....	Drive.....	176
L6602-4.....	Duplex.....	Drive.....	175	16800.....	Eaton.....	Drive.....	176
LC600.....	Duplex.....	Drive.....	175	16801.....	Eaton.....	Drive.....	176
LC600-4.....	Duplex.....	Drive.....	175	16802.....	Eaton.....	Drive.....	176
R Series.....	Duplex.....	Drive.....	175	16803.....	Eaton.....	Drive.....	176
RH6.....	Duplex.....	Drive.....	175	17000.....	Eaton.....	Drive.....	176
SH529.....	Duplex.....	Drive.....	175	17001.....	Eaton.....	Drive.....	176
T380.....	Duplex.....	Drive.....	175	17100.....	Eaton.....	Drive.....	176
TH339.....	Duplex.....	Drive.....	175	171001.....	Eaton.....	Drive.....	176
0502.....	Eaton.....	Drive.....	176	17100-1.....	Eaton.....	Drive.....	176
0503.....	Eaton.....	Drive.....	176	17101.....	Eaton.....	Drive.....	176
1204.....	Eaton.....	Drive.....	176	17120.....	Eaton.....	Drive.....	176
1206.....	Eaton.....	Drive.....	176	171201.....	Eaton.....	Drive.....	176
1250.....	Eaton.....	Drive.....	176	17120-1.....	Eaton.....	Drive.....	176
1265.....	Eaton.....	Drive.....	176	17121.....	Eaton.....	Drive.....	176
1275.....	Eaton.....	Drive.....	176	1715.....	Eaton.....	Drive.....	176
1277.....	Eaton.....	Drive.....	176	1716.....	Eaton.....	Drive.....	176
1280.....	Eaton.....	Drive.....	176	17200.....	Eaton.....	Drive.....	176
1281.....	Eaton.....	Drive.....	176	172001.....	Eaton.....	Drive.....	176
1295.....	Eaton.....	Drive.....	176	17200-1.....	Eaton.....	Drive.....	176
1300.....	Eaton.....	Drive.....	176	17201.....	Eaton.....	Drive.....	176
13000.....	Eaton.....	Drive.....	176	17202.....	Eaton.....	Drive.....	176
13100.....	Eaton.....	Drive.....	176	17207.....	Eaton.....	Drive.....	176
13101.....	Eaton.....	Drive.....	176	17220.....	Eaton.....	Drive.....	176
1315.....	Eaton.....	Drive.....	176	17220-1.....	Eaton.....	Drive.....	176
				17221.....	Eaton.....	Drive.....	176

APPLICATIONS
 TRAILER, TAG & PUSH AXLES
 FRONT AXLES
 DRIVE AXLES
 PINION SEALS
 CONMET®
 LIGHT TRUCK

Axle numerical listing - (cont.)

Axle	Manufacturer	Section	Pg. no.	Axle	Manufacturer	Section	Pg. no.
17222.....	Eaton	Drive	176	18500.....	Eaton	Drive	177
17227.....	Eaton	Drive	176	18501.....	Eaton	Drive	177
17300.....	Eaton	Drive	176	18502.....	Eaton	Drive	177
173001.....	Eaton	Drive	176	18503.....	Eaton	Drive	177
17300-1.....	Eaton	Drive	176	1860.....	Eaton	Drive	177
17301.....	Eaton	Drive	176	18600.....	Eaton	Drive	177
17302.....	Eaton	Drive	176	18601.....	Eaton	Drive	177
17320.....	Eaton	Drive	176	1861.....	Eaton	Drive	177
173201.....	Eaton	Drive	176	1862.....	Eaton	Drive	177
17320-1.....	Eaton	Drive	176	1863.....	Eaton	Drive	177
17321.....	Eaton	Drive	176	18700.....	Eaton	Drive	177
17401.....	Eaton	Drive	176	18701.....	Eaton	Drive	177
17421.....	Eaton	Drive	176	1880.....	Eaton	Drive	177
17500.....	Eaton	Drive	176	18800.....	Eaton	Drive	177
17501.....	Eaton	Drive	176	18802.....	Eaton	Drive	177
17600.....	Eaton	Drive	176	18803.....	Eaton	Drive	177
17601.....	Eaton	Drive	176	1881.....	Eaton	Drive	177
17700.....	Eaton	Drive	176	18812.....	Eaton	Drive	177
17701.....	Eaton	Drive	176	188123.....	Eaton	Drive	177
1780.....	Eaton	Drive	176	18812-3.....	Eaton	Drive	177
17800.....	Eaton	Drive	176	18813.....	Eaton	Drive	177
17801.....	Eaton	Drive	176	1890.....	Eaton	Drive	177
17810.....	Eaton	Drive	176	1891.....	Eaton	Drive	177
17811.....	Eaton	Drive	176	1892.....	Eaton	Drive	177
17815.....	Eaton	Drive	176	1893.....	Eaton	Drive	177
1790.....	Eaton	Drive	176	1895.....	Eaton	Drive	177
17901.....	Eaton	Drive	176	1896.....	Eaton	Drive	177
1790A.....	Eaton	Drive	176	19 Series			
1791.....	Eaton	Drive	176	(Van Hool Bus).....	Eaton	Drive	177
1791A.....	Eaton	Drive	176	1900.....	Eaton	Drive	177
1792.....	Eaton	Drive	176	19000 Series.....	Eaton	Drive	177
1793.....	Eaton	Drive	176	19001.....	Eaton	Drive	177
1795.....	Eaton	Drive	176	19050P.....	Eaton	Drive	177
1796.....	Eaton	Drive	176	19050S.....	Eaton	Drive	177
18 Series				19050T.....	Eaton	Drive	177
(Van Hool Bus).....	Eaton	Drive	177	19055D.....	Eaton	Drive	177
1800.....	Eaton	Drive	177	19055S.....	Eaton	Drive	177
18000 Series.....	Eaton	Drive	177	19055T.....	Eaton	Drive	177
1801.....	Eaton	Drive	177	1910.....	Eaton	Drive	177
1802.....	Eaton	Drive	177	19100.....	Eaton	Drive	177
1803.....	Eaton	Drive	177	19100-1.....	Eaton	Drive	177
18100.....	Eaton	Drive	177	19101.....	Eaton	Drive	177
181001.....	Eaton	Drive	177	1911.....	Eaton	Drive	177
18100-1.....	Eaton	Drive	177	19120.....	Eaton	Drive	177
18101.....	Eaton	Drive	177	191201.....	Eaton	Drive	177
18120.....	Eaton	Drive	177	19121.....	Eaton	Drive	177
181201.....	Eaton	Drive	177	1918.....	Eaton	Drive	177
18120-1.....	Eaton	Drive	177	1919.....	Eaton	Drive	177
18121.....	Eaton	Drive	177	19200.....	Eaton	Drive	177
18200.....	Eaton	Drive	177	192001.....	Eaton	Drive	177
182001.....	Eaton	Drive	177	19201.....	Eaton	Drive	177
18200-1.....	Eaton	Drive	177	19202.....	Eaton	Drive	177
18201.....	Eaton	Drive	177	19220.....	Eaton	Drive	177
18202.....	Eaton	Drive	177	19220-1.....	Eaton	Drive	177
18207.....	Eaton	Drive	177	19221.....	Eaton	Drive	177
18220.....	Eaton	Drive	177	19300.....	Eaton	Drive	177
18221.....	Eaton	Drive	177	193001.....	Eaton	Drive	177
18222.....	Eaton	Drive	177	19300-1.....	Eaton	Drive	177
18227.....	Eaton	Drive	177	19301.....	Eaton	Drive	177
18300.....	Eaton	Drive	177	19320.....	Eaton	Drive	177
18300-1.....	Eaton	Drive	177	193201.....	Eaton	Drive	177
18301.....	Eaton	Drive	177	19320-1.....	Eaton	Drive	177
18302.....	Eaton	Drive	177	19321.....	Eaton	Drive	177
18320.....	Eaton	Drive	177	19400.....	Eaton	Drive	177
18320-1.....	Eaton	Drive	177	19420.....	Eaton	Drive	177
18321.....	Eaton	Drive	177	194201.....	Eaton	Drive	177
18322.....	Eaton	Drive	177	19420-1.....	Eaton	Drive	177

Axle numerical listing - (cont.)

Axle	Manufacturer	Section	Pg.	Axle	Manufacturer	Section	Pg.
19421	Eaton	Drive	177	23101	Eaton	Drive	177
19426	Eaton	Drive	177	23105	Eaton	Drive	177
19500	Eaton	Drive	177	23105C	Eaton	Drive	177
19501	Eaton	Drive	177	23105S	Eaton	Drive	177
19502	Eaton	Drive	177	23121	Eaton	Drive	177
19503	Eaton	Drive	177	23200	Eaton	Drive	177
19512	Eaton	Drive	177	23201	Eaton	Drive	177
19513	Eaton	Drive	177	23221	Eaton	Drive	177
19515	Eaton	Drive	177	23300	Eaton	Drive	177
19800	Eaton	Drive	177	23321	Eaton	Drive	177
19801	Eaton	Drive	177	23400	Eaton	Drive	177
19802	Eaton	Drive	177	23420	Eaton	Drive	177
19803	Eaton	Drive	177	23421	Eaton	Drive	177
2000	Eaton	Drive	177	23L	Eaton	Drive	177
20000	Eaton	Drive	177	23L501	Eaton	Drive	177
2010	Eaton	Drive	177	23R	Eaton	Drive	177
20100	Eaton	Drive	177	24L	Eaton	Drive	177
2011	Eaton	Drive	177	25LD	Eaton	Drive	177
20120	Eaton	Drive	177	25LD501	Eaton	Drive	177
20200	Eaton	Drive	177	25R	Eaton	Drive	177
20220	Eaton	Drive	177	25RD	Eaton	Drive	177
20300	Eaton	Drive	177	2602	Eaton	Drive	177
20320	Eaton	Drive	177	2603	Eaton	Drive	177
20500	Eaton	Drive	177	26085P	Eaton	Drive	177
20501	Eaton	Drive	177	26085S	Eaton	Drive	177
20502	Eaton	Drive	177	26085T	Eaton	Drive	177
20503	Eaton	Drive	177	2610	Eaton	Drive	177
20800	Eaton	Drive	177	26100	Eaton	Drive	177
20801	Eaton	Drive	177	2611	Eaton	Drive	177
21060	Eaton	Drive	177	26121	Eaton	Drive	177
21065S	Eaton	Drive	177	2613	Eaton	Drive	177
21065T	Eaton	Drive	177	26134	Eaton	Drive	177
21100	Eaton	Drive	177	2614	Eaton	Drive	177
21101	Eaton	Drive	177	2615	Eaton	Drive	177
21121	Eaton	Drive	177	2616	Eaton	Drive	177
21127	Eaton	Drive	177	26200	Eaton	Drive	177
21200	Eaton	Drive	177	26221	Eaton	Drive	177
21201	Eaton	Drive	177	2627	Eaton	Drive	177
21221	Eaton	Drive	177	26321	Eaton	Drive	177
21223	Eaton	Drive	177	26421	Eaton	Drive	177
21227	Eaton	Drive	177	26426	Eaton	Drive	177
21421	Eaton	Drive	177	2695	Eaton	Drive	177
22065S	Eaton	Drive	177	2696	Eaton	Drive	177
22065T	Eaton	Drive	177	2730	Eaton	Drive	177
22100	Eaton	Drive	177	2731	Eaton	Drive	177
22101	Eaton	Drive	177	2750	Eaton	Drive	177
22121	Eaton	Drive	177	2817	Eaton	Drive	177
22127	Eaton	Drive	177	28M	Eaton	Drive	177
22200	Eaton	Drive	177	28MF	Eaton	Drive	177
22201	Eaton	Drive	177	28MFA	Eaton	Drive	177
22221	Eaton	Drive	177	28MR	Eaton	Drive	178
22227	Eaton	Drive	177	28MRA	Eaton	Drive	178
22321	Eaton	Drive	177	28R	Eaton	Drive	178
22421	Eaton	Drive	177	30D	Eaton	Drive	178
22500	Eaton	Drive	177	30D3	Eaton	Drive	178
22501	Eaton	Drive	177	30DP	Eaton	Drive	178
22L	Eaton	Drive	177	30DPA	Eaton	Drive	178
22M	Eaton	Drive	177	30DPC	Eaton	Drive	178
22MF	Eaton	Drive	177	30DS	Eaton	Drive	178
22MR	Eaton	Drive	177	30DSA	Eaton	Drive	178
22R	Eaton	Drive	177	30DSC	Eaton	Drive	178
2300S	Eaton	Drive	177	30DSE	Eaton	Drive	178
23070P	Eaton	Drive	177	30DT	Eaton	Drive	178
23070S	Eaton	Drive	177	30DTA	Eaton	Drive	178
23070T	Eaton	Drive	177	30DTC	Eaton	Drive	178
230T4	Eaton	Drive	177	30DTC3	Eaton	Drive	178
23100	Eaton	Drive	177	30M	Eaton	Drive	178

APPLICATIONS
 TRAILER, TAG & PUSHER AXLES
 FRONT AXLES
 DRIVE AXLES
 PINION SEALS
 CONMET®
 LIGHT TRUCK

Axle numerical listing - (cont.)

Axle	Manufacturer	Section	Pg. no.	Axle	Manufacturer	Section	Pg. no.
30MF	Eaton	Drive	178	34RPE	Eaton	Drive	178
30MR	Eaton	Drive	178	34RPH	Eaton	Drive	178
30R	Eaton	Drive	178	34RS	Eaton	Drive	178
30R3	Eaton	Drive	178	34RSA	Eaton	Drive	178
30RP	Eaton	Drive	178	34RSB	Eaton	Drive	178
30RPA	Eaton	Drive	178	34RSC	Eaton	Drive	178
30RPC	Eaton	Drive	178	34RSD	Eaton	Drive	178
30RS	Eaton	Drive	178	34RSE	Eaton	Drive	178
30RSA	Eaton	Drive	178	34RT	Eaton	Drive	178
30RSC	Eaton	Drive	178	34RT3	Eaton	Drive	178
30RT	Eaton	Drive	178	34RTA	Eaton	Drive	178
30RTA	Eaton	Drive	178	34RTB	Eaton	Drive	178
30RTC	Eaton	Drive	178	34RTC	Eaton	Drive	178
30RTC3	Eaton	Drive	178	34RTD	Eaton	Drive	178
32M	Eaton	Drive	178	34RTE	Eaton	Drive	178
32MF	Eaton	Drive	178	35327	Eaton	Drive	178
32MR	Eaton	Drive	178	36 Series	Eaton	Drive	178
32R	Eaton	Drive	178	36M	Eaton	Drive	178
34 Series	Eaton	Drive	178	36MF	Eaton	Drive	178
3400	Eaton	Drive	178	36MR	Eaton	Drive	178
34C	Eaton	Drive	178	36R	Eaton	Drive	178
34D	Eaton	Drive	178	38 Series	Eaton	Drive	178
34D3	Eaton	Drive	178	38 Series			
34D3B	Eaton	Drive	178	(van Hool Bus)	Eaton	Drive	178
34D3C	Eaton	Drive	178	3802	Eaton	Drive	178
34D3D	Eaton	Drive	178	38D	Eaton	Drive	178
34D3E	Eaton	Drive	178	38D3	Eaton	Drive	178
34DP	Eaton	Drive	178	38D3B	Eaton	Drive	178
34DPA	Eaton	Drive	178	38D3C	Eaton	Drive	178
34DPB	Eaton	Drive	178	38D3D	Eaton	Drive	178
34DPC	Eaton	Drive	178	38D3E	Eaton	Drive	178
34DPD	Eaton	Drive	178	38DP	Eaton	Drive	178
34DPE	Eaton	Drive	178	38DPA	Eaton	Drive	178
34DPH	Eaton	Drive	178	38DPB	Eaton	Drive	178
34DPK	Eaton	Drive	178	38DPC	Eaton	Drive	178
34DPN	Eaton	Drive	178	38DPD	Eaton	Drive	178
34DS	Eaton	Drive	178	38DPE	Eaton	Drive	178
34DSA	Eaton	Drive	178	38DS	Eaton	Drive	178
34DSB	Eaton	Drive	178	38DSA	Eaton	Drive	178
34DSC	Eaton	Drive	178	38DSB	Eaton	Drive	178
34DSD	Eaton	Drive	178	38DSC	Eaton	Drive	178
34DSE	Eaton	Drive	178	38DSD	Eaton	Drive	178
34DSK	Eaton	Drive	178	38DSE	Eaton	Drive	178
34DSN	Eaton	Drive	178	38DSK	Eaton	Drive	178
34DT	Eaton	Drive	178	38DSN	Eaton	Drive	178
34DT3	Eaton	Drive	178	38DT	Eaton	Drive	178
34DTA	Eaton	Drive	178	38DT3	Eaton	Drive	178
34DTB	Eaton	Drive	178	38DTA	Eaton	Drive	178
34DTC	Eaton	Drive	178	38DTB	Eaton	Drive	178
34DTD	Eaton	Drive	178	38DTC	Eaton	Drive	178
34DTE	Eaton	Drive	178	38DTC3	Eaton	Drive	178
34DTK	Eaton	Drive	178	38DTD	Eaton	Drive	178
34DTN	Eaton	Drive	178	38DTE	Eaton	Drive	178
34M	Eaton	Drive	178	38DTK	Eaton	Drive	178
34MF	Eaton	Drive	178	38DTN	Eaton	Drive	178
34MR	Eaton	Drive	178	38R3	Eaton	Drive	178
34R	Eaton	Drive	178	38R3B	Eaton	Drive	178
34R3	Eaton	Drive	178	38R3C	Eaton	Drive	178
34R3B	Eaton	Drive	178	38R3D	Eaton	Drive	178
34R3C	Eaton	Drive	178	38R3E	Eaton	Drive	178
34R3D	Eaton	Drive	178	38RP	Eaton	Drive	178
34R3E	Eaton	Drive	178	38RPA	Eaton	Drive	178
34RP	Eaton	Drive	178	38RPB	Eaton	Drive	178
34RPA	Eaton	Drive	178	38RPC	Eaton	Drive	178
34RPB	Eaton	Drive	178	38RPD	Eaton	Drive	178
34RPC	Eaton	Drive	178	38RPE	Eaton	Drive	178
34RPD	Eaton	Drive	178	38RS	Eaton	Drive	178

Axle numerical listing - (cont.)

Axle	Manufacturer	Section	Pg.	Axle	Manufacturer	Section	Pg.
38RSA	Eaton	Drive	178	8813	Eaton	Drive	179
38RSB	Eaton	Drive	178	9502	Eaton	Drive	179
38RSC	Eaton	Drive	178	9503	Eaton	Drive	179
38RSD	Eaton	Drive	178	9512	Eaton	Drive	179
38RSE	Eaton	Drive	178	9515	Eaton	Drive	179
38RT	Eaton	Drive	178	D340	Eaton	Drive	179
38RT3	Eaton	Drive	178	D340P	Eaton	Drive	179
38RTB	Eaton	Drive	178	D341P3	Eaton	Drive	179
38RTC	Eaton	Drive	178	D34P3	Eaton	Drive	179
38RTC3	Eaton	Drive	178	D380	Eaton	Drive	179
38RTD	Eaton	Drive	178	D400	Eaton	Drive	179
38RTE	Eaton	Drive	178	D440P	Eaton	Drive	179
42000	Eaton	Drive	178	D480P	Eaton	Drive	179
42D	Eaton	Drive	178	DC341	Eaton	Drive	179
42D3	Eaton	Drive	178	DC381	Eaton	Drive	179
42DP	Eaton	Drive	178	DC401P	Eaton	Drive	179
42DPB	Eaton	Drive	178	DC402	Eaton	Drive	179
42DPC	Eaton	Drive	178	DC451P	Eaton	Drive	179
42DPD	Eaton	Drive	178	DC460P	Eaton	Drive	179
42DS	Eaton	Drive	178	DC461P	Eaton	Drive	179
42DSA	Eaton	Drive	178	DC480P	Eaton	Drive	179
42DT	Eaton	Drive	178	DC521P	Eaton	Drive	179
42DTA	Eaton	Drive	178	DC581P	Eaton	Drive	179
42DTB	Eaton	Drive	178	DF380	Eaton	Drive	179
42DTD	Eaton	Drive	178	DI340P	Eaton	Drive	179
42M	Eaton	Drive	178	DP340	Eaton	Drive	179
42MF	Eaton	Drive	178	DP340P	Eaton	Drive	179
42MR	Eaton	Drive	178	DP341	Eaton	Drive	179
42R3	Eaton	Drive	178	DP341P	Eaton	Drive	179
42RP	Eaton	Drive	178	DP380	Eaton	Drive	179
42RS	Eaton	Drive	178	DP380P	Eaton	Drive	179
42RT	Eaton	Drive	178	DP381	Eaton	Drive	179
44 Series	Eaton	Drive	178	DP381P	Eaton	Drive	179
44D	Eaton	Drive	178	DP400	Eaton	Drive	179
44DP	Eaton	Drive	178	DP400P	Eaton	Drive	179
44DS	Eaton	Drive	178	DP401	Eaton	Drive	179
44DSM	Eaton	Drive	178	DP401P	Eaton	Drive	179
44DT	Eaton	Drive	178	DP402	Eaton	Drive	179
44R	Eaton	Drive	178	DP402P	Eaton	Drive	179
44RP	Eaton	Drive	178	DP406P	Eaton	Drive	179
44RS	Eaton	Drive	178	DP440	Eaton	Drive	179
44RSM	Eaton	Drive	178	DP440P	Eaton	Drive	179
44RT	Eaton	Drive	178	DP451P	Eaton	Drive	179
46M	Eaton	Drive	178	DP456P	Eaton	Drive	179
46MF	Eaton	Drive	178	DP460P	Eaton	Drive	179
46MR	Eaton	Drive	178	DP461P	Eaton	Drive	179
46R	Eaton	Drive	178	DP480	Eaton	Drive	179
50 Series	Eaton	Drive	178	DP480P	Eaton	Drive	179
50D	Eaton	Drive	178	DP481	Eaton	Drive	179
50DP	Eaton	Drive	178	DP481P	Eaton	Drive	179
50DT	Eaton	Drive	178	DP485P	Eaton	Drive	179
50M	Eaton	Drive	178	DP50	Eaton	Drive	179
50R	Eaton	Drive	178	DP521P	Eaton	Drive	179
50RP	Eaton	Drive	178	DP550	Eaton	Drive	179
50RT	Eaton	Drive	178	DP580	Eaton	Drive	179
65D	Eaton	Drive	178	DP580P	Eaton	Drive	179
6600	Eaton	Drive	178	DP581P	Eaton	Drive	179
6601	Eaton	Drive	178	DP601P	Eaton	Drive	179
6802	Eaton	Drive	178	DP650	Eaton	Drive	179
6803	Eaton	Drive	178	DP650P	Eaton	Drive	179
7800	Eaton	Drive	178	DP651P	Eaton	Drive	179
7801	Eaton	Drive	178	DS340	Eaton	Drive	179
7810	Eaton	Drive	178	DS340P	Eaton	Drive	179
8800	Eaton	Drive	178	DS341	Eaton	Drive	179
8802	Eaton	Drive	178	DS341P	Eaton	Drive	179
8803	Eaton	Drive	178	DS380	Eaton	Drive	179
8812	Eaton	Drive	179	DS380P	Eaton	Drive	179

APPLICATIONS
 TRAILER, TAG & PUSH AXLES
 FRONT AXLES
 DRIVE AXLES
 PINION SEALS
 CONMET®
 LIGHT TRUCK

Axle numerical listing - (cont.)

Axle	Manufacturer	Section	Pg. no.	Axle	Manufacturer	Section	Pg. no.
DS381.....	Eaton	Drive	179	RP401.....	Eaton	Drive	179
DS381P.....	Eaton	Drive	179	RP402.....	Eaton	Drive	179
DS386P.....	Eaton	Drive	179	RP440.....	Eaton	Drive	179
DS400.....	Eaton	Drive	179	RP451.....	Eaton	Drive	179
DS400P.....	Eaton	Drive	179	RP460.....	Eaton	Drive	179
DS401.....	Eaton	Drive	179	RP480.....	Eaton	Drive	179
DS401P.....	Eaton	Drive	179	RP481.....	Eaton	Drive	179
DS402.....	Eaton	Drive	179	RP550.....	Eaton	Drive	179
DS402P.....	Eaton	Drive	179	RP580.....	Eaton	Drive	179
DS440.....	Eaton	Drive	179	RP650.....	Eaton	Drive	179
DS440P.....	Eaton	Drive	179	RPD.....	Eaton	Drive	179
DS451P.....	Eaton	Drive	179	RS340.....	Eaton	Drive	179
DS456P.....	Eaton	Drive	179	RS380.....	Eaton	Drive	179
DS460P.....	Eaton	Drive	179	RS400.....	Eaton	Drive	179
DS461P.....	Eaton	Drive	179	RS440.....	Eaton	Drive	179
DS480P.....	Eaton	Drive	179	RS460.....	Eaton	Drive	179
DS521P.....	Eaton	Drive	179	RS480.....	Eaton	Drive	179
DS581P.....	Eaton	Drive	179	RT340.....	Eaton	Drive	179
DS650P.....	Eaton	Drive	179	RT341.....	Eaton	Drive	179
DSP50.....	Eaton	Drive	179	RT380.....	Eaton	Drive	179
DT340.....	Eaton	Drive	179	RT381.....	Eaton	Drive	179
DT340P.....	Eaton	Drive	179	RT400.....	Eaton	Drive	179
DT341.....	Eaton	Drive	179	RT401.....	Eaton	Drive	179
DT341P.....	Eaton	Drive	179	RT402.....	Eaton	Drive	179
DT380.....	Eaton	Drive	179	RT440.....	Eaton	Drive	179
DT380P.....	Eaton	Drive	179	RT451.....	Eaton	Drive	179
DT381.....	Eaton	Drive	179	RT460P.....	Eaton	Drive	179
DT381P.....	Eaton	Drive	179	RT460T.....	Eaton	Drive	179
DT400.....	Eaton	Drive	179	RT480.....	Eaton	Drive	179
DT400P.....	Eaton	Drive	179	RT485.....	Eaton	Drive	179
DT401.....	Eaton	Drive	179	SP50.....	Eaton	Drive	179
DT401P.....	Eaton	Drive	179	SP521.....	Eaton	Drive	179
DT402.....	Eaton	Drive	179	SP550.....	Eaton	Drive	179
DT402P.....	Eaton	Drive	179	SP580.....	Eaton	Drive	179
DT440.....	Eaton	Drive	179	SP601.....	Eaton	Drive	179
DT440P.....	Eaton	Drive	179	SP650.....	Eaton	Drive	179
DT441P.....	Eaton	Drive	179	SP651.....	Eaton	Drive	179
DT451P.....	Eaton	Drive	179	ST480.....	Eaton	Drive	179
DT460P.....	Eaton	Drive	179	TP521.....	Eaton	Drive	179
DT461P.....	Eaton	Drive	179	TP550.....	Eaton	Drive	179
DT480P.....	Eaton	Drive	179	TP580.....	Eaton	Drive	179
DT481P.....	Eaton	Drive	179	TP601.....	Eaton	Drive	179
DT485P.....	Eaton	Drive	179	TP650.....	Eaton	Drive	179
DT50.....	Eaton	Drive	179	TP651.....	Eaton	Drive	179
DT521P.....	Eaton	Drive	179	U191RC.....	Eaton	Drive	179
DT601P.....	Eaton	Drive	179	3B.....	FWD	Drive	194
DT651P.....	Eaton	Drive	179	3C.....	FWD	Drive	194
EG660.....	Eaton	Drive	179	3D.....	FWD	Drive	194
P174.....	Eaton	Drive	179	3SC.....	FWD	Drive	194
P601.....	Eaton	Drive	179	506D.....	FWD	Drive	194
R340.....	Eaton	Drive	179	509.....	FWD	Drive	194
R380.....	Eaton	Drive	179	509D.....	FWD	Drive	194
R400.....	Eaton	Drive	179	5454.....	FWD	Drive	194
RC341.....	Eaton	Drive	179	HR.....	FWD	Drive	194
RC381.....	Eaton	Drive	179	LD.....	FWD	Drive	194
RC401.....	Eaton	Drive	179	M10.....	FWD	Drive	194
RC402.....	Eaton	Drive	179	M10D.....	FWD	Drive	194
RC451.....	Eaton	Drive	179	M10G.....	FWD	Drive	194
RC460.....	Eaton	Drive	179	M6X6.....	FWD	Drive	194
RC461.....	Eaton	Drive	179	M6X6G.....	FWD	Drive	194
RC480.....	Eaton	Drive	179	M6X6GM.....	FWD	Drive	194
RC521.....	Eaton	Drive	179	M7.....	FWD	Drive	194
RP340.....	Eaton	Drive	179	M7D.....	FWD	Drive	194
RP341.....	Eaton	Drive	179	M7G.....	FWD	Drive	194
RP380.....	Eaton	Drive	179	YU.....	FWD	Drive	194
RP381.....	Eaton	Drive	179	ZU.....	FWD	Drive	194
RP400.....	Eaton	Drive	179	1350.....	GMC	Drive	196

Axle numerical listing - (cont.)

Axle	Manufacturer	Section	Pg.	Axle	Manufacturer	Section	Pg.
13600.....	GMC.....	Drive.....	196	18221.....	GMC.....	Drive.....	196
13602.....	GMC.....	Drive.....	196	18500.....	GMC.....	Drive.....	196
13800.....	GMC.....	Drive.....	196	18501.....	GMC.....	Drive.....	196
13802.....	GMC.....	Drive.....	196	18600.....	GMC.....	Drive.....	196
13803.....	GMC.....	Drive.....	196	18601.....	GMC.....	Drive.....	196
15040S.....	GMC.....	Drive.....	196	18700.....	GMC.....	Drive.....	196
15040T.....	GMC.....	Drive.....	196	18701.....	GMC.....	Drive.....	196
15101.....	GMC.....	Drive.....	196	1880.....	GMC.....	Drive.....	196
15121.....	GMC.....	Drive.....	196	18802.....	GMC.....	Drive.....	196
15201.....	GMC.....	Drive.....	196	18803.....	GMC.....	Drive.....	196
16000.....	GMC.....	Drive.....	196	1890.....	GMC.....	Drive.....	196
16050.....	GMC.....	Drive.....	196	1891.....	GMC.....	Drive.....	196
16051.....	GMC.....	Drive.....	196	1892.....	GMC.....	Drive.....	196
16120.....	GMC.....	Drive.....	196	1893.....	GMC.....	Drive.....	196
16121.....	GMC.....	Drive.....	196	1895.....	GMC.....	Drive.....	196
16122.....	GMC.....	Drive.....	196	1896.....	GMC.....	Drive.....	196
1614.....	GMC.....	Drive.....	196	19050S.....	GMC.....	Drive.....	196
1615.....	GMC.....	Drive.....	196	19050T.....	GMC.....	Drive.....	196
1618.....	GMC.....	Drive.....	196	19055T.....	GMC.....	Drive.....	196
1619.....	GMC.....	Drive.....	196	1910.....	GMC.....	Drive.....	196
16220.....	GMC.....	Drive.....	196	19100.....	GMC.....	Drive.....	196
16221.....	GMC.....	Drive.....	196	19101.....	GMC.....	Drive.....	196
16244.....	GMC.....	Drive.....	196	1911.....	GMC.....	Drive.....	196
16500.....	GMC.....	Drive.....	196	19121.....	GMC.....	Drive.....	196
16501.....	GMC.....	Drive.....	196	1918.....	GMC.....	Drive.....	196
16600.....	GMC.....	Drive.....	196	1919.....	GMC.....	Drive.....	196
16601.....	GMC.....	Drive.....	196	19200.....	GMC.....	Drive.....	196
16800.....	GMC.....	Drive.....	196	19201.....	GMC.....	Drive.....	196
16801.....	GMC.....	Drive.....	196	19220.....	GMC.....	Drive.....	196
16802.....	GMC.....	Drive.....	196	19221.....	GMC.....	Drive.....	196
16803.....	GMC.....	Drive.....	196	19421.....	GMC.....	Drive.....	196
17000.....	GMC.....	Drive.....	196	19500.....	GMC.....	Drive.....	196
17100.....	GMC.....	Drive.....	196	19501.....	GMC.....	Drive.....	196
17101.....	GMC.....	Drive.....	196	19502.....	GMC.....	Drive.....	196
17121.....	GMC.....	Drive.....	196	19503.....	GMC.....	Drive.....	196
1715.....	GMC.....	Drive.....	196	21065S.....	GMC.....	Drive.....	196
1716.....	GMC.....	Drive.....	196	21065T.....	GMC.....	Drive.....	196
17200.....	GMC.....	Drive.....	196	21100.....	GMC.....	Drive.....	196
17201.....	GMC.....	Drive.....	196	21101.....	GMC.....	Drive.....	196
17220.....	GMC.....	Drive.....	196	21121.....	GMC.....	Drive.....	196
17221.....	GMC.....	Drive.....	196	21200.....	GMC.....	Drive.....	196
17321.....	GMC.....	Drive.....	196	21201.....	GMC.....	Drive.....	196
17401.....	GMC.....	Drive.....	196	21221.....	GMC.....	Drive.....	196
17421.....	GMC.....	Drive.....	196	21400.....	GMC.....	Drive.....	196
17500.....	GMC.....	Drive.....	196	21421.....	GMC.....	Drive.....	196
17501.....	GMC.....	Drive.....	196	22065S.....	GMC.....	Drive.....	196
17600.....	GMC.....	Drive.....	196	22065T.....	GMC.....	Drive.....	196
17601.....	GMC.....	Drive.....	196	22100.....	GMC.....	Drive.....	196
17700.....	GMC.....	Drive.....	196	22101.....	GMC.....	Drive.....	196
17701.....	GMC.....	Drive.....	196	22121.....	GMC.....	Drive.....	196
1780.....	GMC.....	Drive.....	196	22200.....	GMC.....	Drive.....	196
17800.....	GMC.....	Drive.....	196	22201.....	GMC.....	Drive.....	196
17801.....	GMC.....	Drive.....	196	22221.....	GMC.....	Drive.....	196
17815.....	GMC.....	Drive.....	196	22500.....	GMC.....	Drive.....	196
1790.....	GMC.....	Drive.....	196	22501.....	GMC.....	Drive.....	196
1790A.....	GMC.....	Drive.....	196	22M.....	GMC.....	Drive.....	196
1791.....	GMC.....	Drive.....	196	23070P.....	GMC.....	Drive.....	196
1791A.....	GMC.....	Drive.....	196	23070S.....	GMC.....	Drive.....	196
1792.....	GMC.....	Drive.....	196	23070T.....	GMC.....	Drive.....	196
1793.....	GMC.....	Drive.....	196	230T4.....	GMC.....	Drive.....	196
1795.....	GMC.....	Drive.....	196	23100.....	GMC.....	Drive.....	196
1796.....	GMC.....	Drive.....	196	23101.....	GMC.....	Drive.....	196
18100.....	GMC.....	Drive.....	196	23105.....	GMC.....	Drive.....	196
18101.....	GMC.....	Drive.....	196	23105C.....	GMC.....	Drive.....	196
18121.....	GMC.....	Drive.....	196	23105S.....	GMC.....	Drive.....	196
18200.....	GMC.....	Drive.....	196	23121.....	GMC.....	Drive.....	196
18201.....	GMC.....	Drive.....	196	23200.....	GMC.....	Drive.....	197

A P P L I C A T I O N S
 TRAILER, TAG & PUSHER AXLES
 FRONT AXLES
 DRIVE AXLES
 PINION SEALS
 CONMET®
 LIGHT TRUCK

Axle numerical listing - (cont.)

Axle	Manufacturer	Section	Pg. no.	Axle	Manufacturer	Section	Pg. no.
23201	GMC	Drive	197	DP381P	GMC	Drive	197
23221	GMC	Drive	197	DP38P	GMC	Drive	197
23300	GMC	Drive	197	DP401P	GMC	Drive	197
23321	GMC	Drive	197	DP402P	GMC	Drive	197
23400	GMC	Drive	197	DP406P	GMC	Drive	197
23421	GMC	Drive	197	DP440P	GMC	Drive	197
26058P	GMC	Drive	197	DP456P	GMC	Drive	197
26085P	GMC	Drive	197	DP460P	GMC	Drive	197
26085S	GMC	Drive	197	DP461P	GMC	Drive	197
26085T	GMC	Drive	197	DP480P	GMC	Drive	197
26100	GMC	Drive	197	DP580P	GMC	Drive	197
26121	GMC	Drive	197	DP650	GMC	Drive	197
2613	GMC	Drive	197	DP650P	GMC	Drive	197
2614	GMC	Drive	197	DS340	GMC	Drive	197
2615	GMC	Drive	197	DS341	GMC	Drive	197
2616	GMC	Drive	197	DS380	GMC	Drive	197
26200	GMC	Drive	197	DS381	GMC	Drive	197
26221	GMC	Drive	197	DS381P	GMC	Drive	197
2627	GMC	Drive	197	DS386P	GMC	Drive	197
2695	GMC	Drive	197	DS400	GMC	Drive	197
2696	GMC	Drive	197	DS401	GMC	Drive	197
28M	GMC	Drive	197	DS401P	GMC	Drive	197
28MR	GMC	Drive	197	DS402	GMC	Drive	197
30D	GMC	Drive	197	DS402P	GMC	Drive	197
30DP	GMC	Drive	197	DS440	GMC	Drive	197
30DS	GMC	Drive	197	DS440P	GMC	Drive	197
30DSC	GMC	Drive	197	DS456P	GMC	Drive	197
30M	GMC	Drive	197	DS460P	GMC	Drive	197
34DTC	GMC	Drive	197	DS461P	GMC	Drive	197
38DP	GMC	Drive	197	DS480P	GMC	Drive	197
38DSC	GMC	Drive	197	DS650P	GMC	Drive	197
38DTC	GMC	Drive	197	DSP50	GMC	Drive	197
38RSE	GMC	Drive	197	DT341	GMC	Drive	197
44DP	GMC	Drive	197	DT381	GMC	Drive	197
44DT	GMC	Drive	197	DT381P	GMC	Drive	197
44DTC	GMC	Drive	197	DT401P	GMC	Drive	197
55417H	GMC	Drive	197	DT402	GMC	Drive	197
6803	GMC	Drive	197	DT402P	GMC	Drive	197
70	GMC	Drive	197	DT440P	GMC	Drive	197
70HD	GMC	Drive	197	DT460P	GMC	Drive	197
7800	GMC	Drive	197	DT461P	GMC	Drive	197
7801	GMC	Drive	197	DT480P	GMC	Drive	197
8802	GMC	Drive	197	DW3012	GMC	Drive	197
8803	GMC	Drive	197	E301	GMC	Drive	197
B170	GMC	Drive	197	E350	GMC	Drive	197
B180	GMC	Drive	197	E370	GMC	Drive	197
B210	GMC	Drive	197	F106	GMC	Drive	197
B220	GMC	Drive	197	F155S	GMC	Drive	197
BA185	GMC	Drive	197	F341	GMC	Drive	197
BA230	GMC	Drive	197	G161	GMC	Drive	197
BD340	GMC	Drive	197	G175S	GMC	Drive	197
BP270	GMC	Drive	197	G175T	GMC	Drive	197
BP271	GMC	Drive	197	G185S	GMC	Drive	197
D160	GMC	Drive	197	G185T	GMC	Drive	197
D185	GMC	Drive	197	G190S	GMC	Drive	197
D210	GMC	Drive	197	G341	GMC	Drive	197
D290	GMC	Drive	197	G361	GMC	Drive	197
D341P3	GMC	Drive	197	GM34000	GMC	Drive	197
D34P3	GMC	Drive	197	H100	GMC	Drive	197
D365	GMC	Drive	197	H101	GMC	Drive	197
D380	GMC	Drive	197	H110	GMC	Drive	197
D400P	GMC	Drive	197	H125	GMC	Drive	197
D440P	GMC	Drive	197	H130	GMC	Drive	197
D70HD	GMC	Drive	197	H135	GMC	Drive	197
DD340	GMC	Drive	197	H140	GMC	Drive	197
DD500	GMC	Drive	197	H150	GMC	Drive	197
DP341	GMC	Drive	197	H160	GMC	Drive	197

Axle numerical listing - (cont.)

Axle	Manufacturer	Section	Pg.	Axle	Manufacturer	Section	Pg.
H162	GMC	Drive	197	T130	GMC	Drive	198
H170	GMC	Drive	197	T150	GMC	Drive	198
H172	GMC	Drive	197	T160	GMC	Drive	198
H173	GMC	Drive	197	T170	GMC	Drive	198
H175	GMC	Drive	197	T172	GMC	Drive	198
H185	GMC	Drive	197	T173	GMC	Drive	198
H240	GMC	Drive	197	T175	GMC	Drive	198
H300	GMC	Drive	197	T180	GMC	Drive	198
H340	GMC	Drive	197	T185	GMC	Drive	198
H350	GMC	Drive	197	T210	GMC	Drive	198
H362	GMC	Drive	197	T220	GMC	Drive	198
H370	GMC	Drive	197	T295	GMC	Drive	198
HD2	GMC	Drive	197	TA182	GMC	Drive	198
HD280	GMC	Drive	197	TA185	GMC	Drive	198
HD340	GMC	Drive	197	TA230	GMC	Drive	198
HO52	GMC	Drive	197	TP270	GMC	Drive	198
HO72	GMC	Drive	197	TP340	GMC	Drive	198
HO75	GMC	Drive	197	TP341	GMC	Drive	198
L161	GMC	Drive	197	TT340	GMC	Drive	198
L162	GMC	Drive	197	U200	GMC	Drive	198
L172	GMC	Drive	197	U300	GMC	Drive	198
L350	GMC	Drive	197	W4	GMC	Drive	198
L351	GMC	Drive	197	W4L	GMC	Drive	198
L361	GMC	Drive	197	W6	GMC	Drive	198
L362	GMC	Drive	197	W7H	GMC	Drive	198
L370	GMC	Drive	197	W7M	GMC	Drive	198
L371	GMC	Drive	197	W7T	GMC	Drive	198
LT301	GMC	Drive	197	WD480	GMC	Drive	198
M185T	GMC	Drive	197	Transmode	GMC Truck	Drive	201
M190S	GMC	Drive	197	W4	GMC Truck	Drive	201
M190T	GMC	Drive	197	C43121519KN	Gruman	Drive	201
M200S	GMC	Drive	197	360-3T	Hendrickson	Drive	201
M200T	GMC	Drive	197	500CT	Hendrickson	Drive	201
M220S	GMC	Drive	197	AD290	Hendrickson	Drive	201
M220T	GMC	Drive	197	FA141S	Hino	Drive	202
R70HD	GMC	Drive	197	FA142S	Hino	Drive	202
RS16140	GMC	Drive	197	FA143S	Hino	Drive	202
RS170	GMC	Drive	197	FB142S	Hino	Drive	202
RS341	GMC	Drive	197	FB143S	Hino	Drive	202
RT341	GMC	Drive	197	FB144S	Hino	Drive	202
SD3010	GMC	Drive	197	FD162S	Hino	Drive	202
SD3010P	GMC	Drive	197	FD163S	Hino	Drive	202
SD3011	GMC	Drive	197	FD164S	Hino	Drive	202
SD3020	GMC	Drive	197	FD172S	Hino	Drive	202
SFD460	GMC	Drive	197	FD173S	Hino	Drive	202
SFD4600	GMC	Drive	197	FD174S	Hino	Drive	202
SFDD3020	GMC	Drive	197	FD175S	Hino	Drive	202
SFDD4600	GMC	Drive	197	FD177S	Hino	Drive	202
SFHD	GMC	Drive	197	FE162S	Hino	Drive	202
SL100	GMC	Drive	197	FE163S	Hino	Drive	202
SL100P	GMC	Drive	197	FE164S	Hino	Drive	202
SLDD	GMC	Drive	197	FE165S	Hino	Drive	202
SLHD	GMC	Drive	197	FE167S	Hino	Drive	202
SLHR	GMC	Drive	197	FE172S	Hino	Drive	202
SP50	GMC	Drive	197	FE173S	Hino	Drive	202
SQ100P	GMC	Drive	197	FE174S	Hino	Drive	202
SW3010	GMC	Drive	197	FE175S	Hino	Drive	202
SW3010P	GMC	Drive	197	FE177S	Hino	Drive	202
SW3012	GMC	Drive	197	FE194S	Hino	Drive	202
SW3012P	GMC	Drive	197	FE195S	Hino	Drive	202
SW3014	GMC	Drive	197	FF172S	Hino	Drive	202
SW3014P	GMC	Drive	197	FF173S	Hino	Drive	202
SW3020	GMC	Drive	197	FF174S	Hino	Drive	202
SW3020P	GMC	Drive	197	FF175S	Hino	Drive	202
SW456	GMC	Drive	198	FF177S	Hino	Drive	202
SW456A	GMC	Drive	198	FF178S	Hino	Drive	202
SW456P	GMC	Drive	198	FF192S	Hino	Drive	202

A P P L I C A T I O N S
 TRAILER, TAG & PUSH AXLES
 FRONT AXLES
 DRIVE AXLES
 PINION SEALS
 CONMET®
 LIGHT TRUCK

Axle numerical listing - (cont.)

Axle	Manufacturer	Section	Pg. no.	Axle	Manufacturer	Section	Pg. no.
FF193S	Hino	Drive	202	A20H	Mack	Drive	204
FF194S	Hino	Drive	202	A30	Mack	Drive	204
FF195S	Hino	Drive	202	A30H	Mack	Drive	204
FF197S	Hino	Drive	202	A40	Mack	Drive	204
FF198S	Hino	Drive	202	A40H	Mack	Drive	204
FFC12S	Hino	Drive	202	A40T	Mack	Drive	204
FFC13S	Hino	Drive	202	A40X	Mack	Drive	204
FFC14S	Hino	Drive	202	A50	Mack	Drive	204
FFC15S	Hino	Drive	202	A50H	Mack	Drive	204
FFC17S	Hino	Drive	202	A50T	Mack	Drive	204
FFC18S	Hino	Drive	202	A51H	Mack	Drive	204
FG223S	Hino	Drive	202	A51T	Mack	Drive	204
FG225S	Hino	Drive	202	A54	Mack	Drive	204
SF172S	Hino	Drive	202	A54T	Mack	Drive	204
SF173S	Hino	Drive	202	B30P	Mack	Drive	204
SF174S	Hino	Drive	202	B30T	Mack	Drive	204
SF175S	Hino	Drive	202	B30X	Mack	Drive	204
SF177S	Hino	Drive	202	B42	Mack	Drive	204
SF178S	Hino	Drive	202	B42P	Mack	Drive	204
SG193S	Hino	Drive	202	B42SX	Mack	Drive	204
SG195S	Hino	Drive	202	B42T	Mack	Drive	204
SG197S	Hino	Drive	202	B42X	Mack	Drive	204
SG198S	Hino	Drive	202	B50T	Mack	Drive	204
SG213S	Hino	Drive	202	B60LT	Mack	Drive	204
SG231S	Hino	Drive	202	B60S	Mack	Drive	204
SG233S	Hino	Drive	202	B60X	Mack	Drive	204
SG235S	Hino	Drive	202	BX	Mack	Drive	204
SG237S	Hino	Drive	202	C41	Mack	Drive	204
SG238S	Hino	Drive	202	C47	Mack	Drive	204
B	Ikarus-Crown	Drive	202	C49	Mack	Drive	204
EVR	Isuzu	Drive	203	D30P	Mack	Drive	204
FSR	Isuzu	Drive	203	ES60C	Mack	Drive	204
FTR	Isuzu	Drive	203	EW48C	Mack	Drive	204
FVR	Isuzu	Drive	203	EW48CW	Mack	Drive	204
NPR	Isuzu	Drive	203	EW48W	Mack	Drive	204
NRR	Isuzu	Drive	203	EW60C	Mack	Drive	204
10-14	Iveco	Drive	203	EWS571C	Mack	Drive	204
110	Iveco	Drive	203	EW571C	Mack	Drive	204
120TA	Iveco	Drive	203	EW571CW	Mack	Drive	204
12-11	Iveco	Drive	203	EW57C	Mack	Drive	204
12-12	Iveco	Drive	203	EW57CW	Mack	Drive	204
12-14	Iveco	Drive	203	EW57W	Mack	Drive	204
15-14	Iveco	Drive	203	H633LT	Mack	Drive	204
18-14	Iveco	Drive	203	H633ST	Mack	Drive	204
220	Iveco	Drive	203	H633T	Mack	Drive	204
220T	Iveco	Drive	203	H63ST	Mack	Drive	204
230T	Iveco	Drive	203	H63T	Mack	Drive	204
335T	Iveco	Drive	203	MS200	Mack	Drive	204
340T	Iveco	Drive	203	MS250	Mack	Drive	204
Z100	Iveco	Drive	203	MS300	Mack	Drive	204
Z110	Iveco	Drive	203	RA104	Mack	Drive	204
Z120	Iveco	Drive	203	RA111	Mack	Drive	204
Z120TA	Iveco	Drive	203	RA1141	Mack	Drive	204
Z220	Iveco	Drive	203	RA23	Mack	Drive	204
Z220T	Iveco	Drive	203	RA2D200	Mack	Drive	204
Z230	Iveco	Drive	203	RA2D201	Mack	Drive	204
Z230T	Iveco	Drive	203	RA2D300	Mack	Drive	204
Z340T	Iveco	Drive	203	RA2D301	Mack	Drive	204
905	Kenworth Truck	Drive	204	RA2D302	Mack	Drive	204
908	Kenworth Truck	Drive	204	RA2D304	Mack	Drive	204
921	Kenworth Truck	Drive	204	RA2D507	Mack	Drive	204
922	Kenworth Truck	Drive	204	RA2D508	Mack	Drive	204
K121	Kenworth Truck	Drive	204	RA2D509	Mack	Drive	204
K122	Kenworth Truck	Drive	204	RA2D510	Mack	Drive	204
W921	Kenworth Truck	Drive	204	RA2D511	Mack	Drive	204
W922	Kenworth Truck	Drive	204	RA2D512	Mack	Drive	204
A20	Mack	Drive	204	RA2D513	Mack	Drive	204

Axle numerical listing - (cont.)

Axle	Manufacturer	Section	Pg.	Axle	Manufacturer	Section	Pg.
RA2D514	Mack	Drive	204	RAD703	Mack	Drive	204
RA2D516	Mack	Drive	204	RAD703C	Mack	Drive	204
RA2D518	Mack	Drive	204	RAD704	Mack	Drive	204
RA2D519	Mack	Drive	204	RAD704C	Mack	Drive	204
RA2DL516	Mack	Drive	204	RAD705	Mack	Drive	204
RA2DL518	Mack	Drive	204	RAD705C	Mack	Drive	204
RA2DL519	Mack	Drive	204	RAD707C	Mack	Drive	204
RA2DT304	Mack	Drive	204	RAD708C	Mack	Drive	204
RA2DT306	Mack	Drive	204	RADL515	Mack	Drive	204
RA2DT306C	Mack	Drive	204	RADL5151	Mack	Drive	205
RA2DT306CW	Mack	Drive	204	RADL5152	Mack	Drive	205
RA2DT306W	Mack	Drive	204	RADL5153	Mack	Drive	205
RA2DT518	Mack	Drive	204	RADL529	Mack	Drive	205
RA2DT519	Mack	Drive	204	RADL5291	Mack	Drive	205
RA2DT521	Mack	Drive	204	RADL5301	Mack	Drive	205
RA2DT5211	Mack	Drive	204	RADL533	Mack	Drive	205
RA2DT528	Mack	Drive	204	RADS509	Mack	Drive	205
RA2DT5281	Mack	Drive	204	RAH23	Mack	Drive	205
RA2DT532	Mack	Drive	204	RAR23	Mack	Drive	205
RA45	Mack	Drive	204	RAS200	Mack	Drive	205
RA47	Mack	Drive	204	RAS201	Mack	Drive	205
RA500	Mack	Drive	204	RAS23C	Mack	Drive	205
RA59	Mack	Drive	204	RAS24D	Mack	Drive	205
RA61	Mack	Drive	204	RAS2D400	Mack	Drive	205
RA62	Mack	Drive	204	RAS300	Mack	Drive	205
RA69	Mack	Drive	204	RAS301	Mack	Drive	205
RAC23C	Mack	Drive	204	RAS302	Mack	Drive	205
RAD1111	Mack	Drive	204	RAS303	Mack	Drive	205
RAD1113	Mack	Drive	204	RAS307	Mack	Drive	205
RAD1141	Mack	Drive	204	RAS307C	Mack	Drive	205
RAD231C	Mack	Drive	204	RAS307CW	Mack	Drive	205
RAD23C	Mack	Drive	204	RAS307W	Mack	Drive	205
RAD24D	Mack	Drive	204	RAS400	Mack	Drive	205
RAD29C	Mack	Drive	204	RAS403	Mack	Drive	205
RAD30	Mack	Drive	204	RAS404	Mack	Drive	205
RAD300	Mack	Drive	204	RAS500	Mack	Drive	205
RAD301	Mack	Drive	204	RAS505	Mack	Drive	205
RAD302	Mack	Drive	204	RAS507	Mack	Drive	205
RAD303	Mack	Drive	204	RAS508	Mack	Drive	205
RAD305	Mack	Drive	204	RAS509	Mack	Drive	205
RAD38C	Mack	Drive	204	RAS512	Mack	Drive	205
RAD400	Mack	Drive	204	RAS512C	Mack	Drive	205
RAD403	Mack	Drive	204	RAS512CW	Mack	Drive	205
RAD404	Mack	Drive	204	RAS512W	Mack	Drive	205
RAD500	Mack	Drive	204	RAS572	Mack	Drive	205
RAD501	Mack	Drive	204	RAS580	Mack	Drive	205
RAD507	Mack	Drive	204	S34	Mack	Drive	205
RAD508	Mack	Drive	204	S38	Mack	Drive	205
RAD509	Mack	Drive	204	S440	Mack	Drive	205
RAD512	Mack	Drive	204	S441	Mack	Drive	205
RAD515	Mack	Drive	204	S501	Mack	Drive	205
RAD528	Mack	Drive	204	S58	Mack	Drive	205
RAD5281	Mack	Drive	204	S65	Mack	Drive	205
RAD5282	Mack	Drive	204	SA38C	Mack	Drive	205
RAD529	Mack	Drive	204	SA38CW	Mack	Drive	205
RAD5291	Mack	Drive	204	SA38W	Mack	Drive	205
RAD530	Mack	Drive	204	SAL34	Mack	Drive	205
RAD5301	Mack	Drive	204	SAL38	Mack	Drive	205
RAD530C	Mack	Drive	204	SAL440	Mack	Drive	205
RAD533	Mack	Drive	204	SB38	Mack	Drive	205
RAD533C	Mack	Drive	204	SC342C	Mack	Drive	205
RAD533CW	Mack	Drive	204	SC342CW	Mack	Drive	205
RAD533W	Mack	Drive	204	SC342W	Mack	Drive	205
RAD606	Mack	Drive	204	SC34C	Mack	Drive	205
RAD606C	Mack	Drive	204	SC34CW	Mack	Drive	205
RAD608	Mack	Drive	204	SC34W	Mack	Drive	205
RAD608C	Mack	Drive	204	SC38C	Mack	Drive	205

A P P L I C A T I O N S
 TRAILER, TAG & PUSH AXLES
 FRONT AXLES
 DRIVE AXLES
 PINION SEALS
 CONMET®
 LIGHT TRUCK

APPLICATIONS
 TRAILER, TAG & PUSHER AXLES
 FRONT AXLES
 DRIVE AXLES
 PINION SEALS
 CONMET®
 LIGHT TRUCK

Axle numerical listing - (cont.)

Axle	Manufacturer	Section	Pg. no.	Axle	Manufacturer	Section	Pg. no.
SC38CW	Mack	Drive	205	SW501	Mack	Drive	205
SC38W	Mack	Drive	205	SW56	Mack	Drive	205
SH342	Mack	Drive	205	SW561	Mack	Drive	205
SH342C	Mack	Drive	205	SW57	Mack	Drive	205
SH342CW	Mack	Drive	205	SW570	Mack	Drive	205
SH342W	Mack	Drive	205	SW571	Mack	Drive	205
SH34C	Mack	Drive	205	SW573	Mack	Drive	205
SH34CW	Mack	Drive	205	SW5731	Mack	Drive	205
SH34W	Mack	Drive	205	SW58	Mack	Drive	205
SH38C	Mack	Drive	205	SW65C	Mack	Drive	205
SH38CW	Mack	Drive	205	SW76	Mack	Drive	205
SH38W	Mack	Drive	205	SWA574C	Mack	Drive	205
SHB342C	Mack	Drive	205	SWA57C	Mack	Drive	205
SHB342CW	Mack	Drive	205	SWA57CW	Mack	Drive	205
SHB342W	Mack	Drive	205	SWA57W	Mack	Drive	205
SHB38C	Mack	Drive	205	SWB342C	Mack	Drive	205
SHB38CW	Mack	Drive	205	SWB342CW	Mack	Drive	205
SHB38W	Mack	Drive	205	SWB342W	Mack	Drive	205
SS34	Mack	Drive	205	SWB38C	Mack	Drive	205
SS342C	Mack	Drive	205	SWB38CW	Mack	Drive	205
SS342CW	Mack	Drive	205	SWB38W	Mack	Drive	205
SS342W	Mack	Drive	205	SWC5612C	Mack	Drive	205
SS34C	Mack	Drive	205	SWC562C	Mack	Drive	205
SS34CW	Mack	Drive	205	SWC562CW	Mack	Drive	205
SS34W	Mack	Drive	205	SWC562W	Mack	Drive	205
SS38C	Mack	Drive	205	SWC574C	Mack	Drive	205
SS38CW	Mack	Drive	205	SWC57C	Mack	Drive	205
SS38W	Mack	Drive	205	SWC57CW	Mack	Drive	205
SS440C	Mack	Drive	205	SWC57W	Mack	Drive	205
SS441	Mack	Drive	205	SWD32	Mack	Drive	205
SS441C	Mack	Drive	205	SWD322	Mack	Drive	205
SS50	Mack	Drive	205	SWD44	Mack	Drive	205
SS501	Mack	Drive	205	SWD441	Mack	Drive	205
SS58	Mack	Drive	205	SWD442	Mack	Drive	205
SS58C	Mack	Drive	205	SWD443	Mack	Drive	205
SS65C	Mack	Drive	205	SWD444	Mack	Drive	205
SS65CW	Mack	Drive	205	SWD451	Mack	Drive	205
SS65W	Mack	Drive	205	SWD52	Mack	Drive	205
SSB38	Mack	Drive	205	SWD53	Mack	Drive	205
SSB38C	Mack	Drive	205	SWD5301	Mack	Drive	205
SSB38CW	Mack	Drive	205	SWD54	Mack	Drive	205
SSB38W	Mack	Drive	205	SWD56	Mack	Drive	205
ST34	Mack	Drive	205	SWD561	Mack	Drive	205
ST34C	Mack	Drive	205	SWD562	Mack	Drive	205
ST34CW	Mack	Drive	205	SWD563	Mack	Drive	205
ST34W	Mack	Drive	205	SWD564	Mack	Drive	205
ST38	Mack	Drive	205	SWD57	Mack	Drive	205
SV34C	Mack	Drive	205	SWD5701	Mack	Drive	205
SV34CW	Mack	Drive	205	SWD571	Mack	Drive	205
SV34W	Mack	Drive	205	SWD5711	Mack	Drive	205
SV38C	Mack	Drive	205	SWD572	Mack	Drive	205
SV38CW	Mack	Drive	205	SWD5721	Mack	Drive	205
SV38W	Mack	Drive	205	SWD573	Mack	Drive	205
SW29	Mack	Drive	205	SWD5731	Mack	Drive	205
SW31	Mack	Drive	205	SWD574	Mack	Drive	205
SW32	Mack	Drive	205	SWD5741	Mack	Drive	205
SW342C	Mack	Drive	205	SWD575	Mack	Drive	205
SW342CW	Mack	Drive	205	SWD5751	Mack	Drive	205
SW342W	Mack	Drive	205	SWD5791	Mack	Drive	205
SW38C	Mack	Drive	205	SWD58	Mack	Drive	205
SW38CW	Mack	Drive	205	SWD59	Mack	Drive	205
SW38W	Mack	Drive	205	SWD591	Mack	Drive	205
SW44	Mack	Drive	205	SWD592	Mack	Drive	205
SW440C	Mack	Drive	205	SWD5921	Mack	Drive	205
SW441	Mack	Drive	205	SWD593	Mack	Drive	205
SW441C	Mack	Drive	205	SWD68	Mack	Drive	205
SW451	Mack	Drive	205	SWD681	Mack	Drive	205

Axle numerical listing - (cont.)

Axle	Manufacturer	Section	Pg.	Axle	Manufacturer	Section	Pg.
SWD73	Mack	Drive	205	SWS57CW	Mack	Drive	206
SWD731	Mack	Drive	205	SWS57W	Mack	Drive	206
SWD732	Mack	Drive	205	SWS592C	Mack	Drive	206
SWD7321	Mack	Drive	205	SWS592CW	Mack	Drive	206
SWD75	Mack	Drive	205	SWS592W	Mack	Drive	206
SWD751	Mack	Drive	205	SWS59C	Mack	Drive	206
SWD76	Mack	Drive	205	SWS681C	Mack	Drive	206
SWD761	Mack	Drive	205	SWS68C	Mack	Drive	206
SWD762	Mack	Drive	205	SWS76C	Mack	Drive	206
SWD7621	Mack	Drive	205	SWS76CW	Mack	Drive	206
SWD78	Mack	Drive	205	SWS76W	Mack	Drive	206
SWD83	Mack	Drive	205	SWSL56C	Mack	Drive	206
SWDL55	Mack	Drive	205	SWSL56CW	Mack	Drive	206
SWDL551	Mack	Drive	205	SWSL56W	Mack	Drive	206
SWDL56	Mack	Drive	205	SWTL561C	Mack	Drive	206
SWDL561	Mack	Drive	205	SWTL56C	Mack	Drive	206
SWDL563	Mack	Drive	205	SWTL56CW	Mack	Drive	206
SWDL564	Mack	Drive	205	SWTL56W	Mack	Drive	206
SWDL73	Mack	Drive	205	SWW5612C	Mack	Drive	206
SWDL731	Mack	Drive	205	SWW562C	Mack	Drive	206
SWDL732	Mack	Drive	205	SWW562CW	Mack	Drive	206
SWDL7321	Mack	Drive	205	SWW562W	Mack	Drive	206
SWDL75	Mack	Drive	205	SWW57	Mack	Drive	206
SWDL751	Mack	Drive	206	SWW571	Mack	Drive	206
SWDL76	Mack	Drive	206	SWW5711C	Mack	Drive	206
SWDL761	Mack	Drive	206	SWW571C	Mack	Drive	206
SWDL7621	Mack	Drive	206	SWW572	Mack	Drive	206
SWDL78	Mack	Drive	206	SWW573	Mack	Drive	206
SWDR48	Mack	Drive	206	SWW574C	Mack	Drive	206
SWDR49	Mack	Drive	206	SWW57C	Mack	Drive	206
SWH56	Mack	Drive	206	SWW57CW	Mack	Drive	206
SWH562	Mack	Drive	206	SWW57W	Mack	Drive	206
SWH562C	Mack	Drive	206	SWW592C	Mack	Drive	206
SWH562CW	Mack	Drive	206	SWW592CW	Mack	Drive	206
SWH562W	Mack	Drive	206	SWW592W	Mack	Drive	206
SWH56C	Mack	Drive	206	SWW59C	Mack	Drive	206
SWH56CW	Mack	Drive	206	SWW681C	Mack	Drive	206
SWH56W	Mack	Drive	206	SWW68C	Mack	Drive	206
SWH57C	Mack	Drive	206	SWW762C	Mack	Drive	206
SWH57CW	Mack	Drive	206	SWW762CW	Mack	Drive	206
SWH57W	Mack	Drive	206	SWW762W	Mack	Drive	206
SWH762C	Mack	Drive	206	SWW76C	Mack	Drive	206
SWH762CW	Mack	Drive	206	SWW76CW	Mack	Drive	206
SWH762W	Mack	Drive	206	SWW76W	Mack	Drive	206
SWH76C	Mack	Drive	206	SWWL562C	Mack	Drive	206
SWH76CW	Mack	Drive	206	SWWL562CW	Mack	Drive	206
SWH76W	Mack	Drive	206	SWWL562W	Mack	Drive	206
SWS56	Mack	Drive	206	SWWL56C	Mack	Drive	206
SWS561	Mack	Drive	206	SWWL56CW	Mack	Drive	206
SWS5612C	Mack	Drive	206	SWWL56W	Mack	Drive	206
SWS561C	Mack	Drive	206	WW681C	Mack	Drive	206
SWS562C	Mack	Drive	206	MS200	Mack Midliner	Drive	209
SWS562CW	Mack	Drive	206	MS250	Mack Midliner	Drive	209
SWS562W	Mack	Drive	206	MS300	Mack Midliner	Drive	209
SWS56C	Mack	Drive	206	P102011	Mack Midliner	Drive	209
SWS56CW	Mack	Drive	206	P1020B	Mack Midliner	Drive	209
SWS56W	Mack	Drive	206	P1020G	Mack Midliner	Drive	209
SWS5711C	Mack	Drive	206	P1021.5	Mack Midliner	Drive	209
SWS571C	Mack	Drive	206	P10211	Mack Midliner	Drive	209
SWS571CW	Mack	Drive	206	P1021G1	Mack Midliner	Drive	209
SWS571W	Mack	Drive	206	P1121.4	Mack Midliner	Drive	209
SWS572	Mack	Drive	206	P112102	Mack Midliner	Drive	209
SWS573C	Mack	Drive	206	P1121G	Mack Midliner	Drive	209
SWS573CW	Mack	Drive	206	P1121G1	Mack Midliner	Drive	209
SWS573W	Mack	Drive	206	P1121G2	Mack Midliner	Drive	209
SWS574C	Mack	Drive	206	P802.2	Mack Midliner	Drive	209
SWS57C	Mack	Drive	206				

APPLICAZIONI
 TRAILER, TAG & PUSHER AXLES
 FRONT AXLES
 DRIVE AXLES
 PINION SEALS
 CONMET®
 LIGHT TRUCK

Axle numerical listing - (cont.)

Axle	Manufacturer	Section	Pg. no.	Axle	Manufacturer	Section	Pg. no.
P820G	Mack Midliner	Drive	209	14069	Navistar	Drive	211
P820G1	Mack Midliner	Drive	209	14072	Navistar	Drive	211
P821	Mack Midliner	Drive	209	14077	Navistar	Drive	211
P821G	Mack Midliner	Drive	209	14087	Navistar	Drive	211
160A11FL	Magirus	Drive	209	14088	Navistar	Drive	211
160A13FL	Magirus	Drive	209	1409	Navistar	Drive	211
200A13FL	Magirus	Drive	209	14091	Navistar	Drive	211
200A13FS	Magirus	Drive	209	14095	Navistar	Drive	211
H07-11120	MAN	Drive	210	14096	Navistar	Drive	211
CM704	Marmon-Herrington	Drive	210	14097	Navistar	Drive	211
CM754	Marmon-Herrington	Drive	210	1410	Navistar	Drive	211
CM756	Marmon-Herrington	Drive	210	1411	Navistar	Drive	211
CM804	Marmon-Herrington	Drive	210	14119	Navistar	Drive	211
CM806	Marmon-Herrington	Drive	210	1412	Navistar	Drive	211
CM904	Marmon-Herrington	Drive	210	14127	Navistar	Drive	211
DSD600-6	Marmon-Herrington	Drive	210	14130	Navistar	Drive	211
DSD800-6	Marmon-Herrington	Drive	210	14131	Navistar	Drive	211
H542-11	Marmon-Herrington	Drive	210	14132	Navistar	Drive	211
M5-6	Marmon-Herrington	Drive	210	14133	Navistar	Drive	211
M6-6	Marmon-Herrington	Drive	210	1415	Navistar	Drive	211
M704	Marmon-Herrington	Drive	210	1416	Navistar	Drive	211
M754	Marmon-Herrington	Drive	210	1418	Navistar	Drive	211
M756	Marmon-Herrington	Drive	210	14186	Navistar	Drive	211
M804	Marmon-Herrington	Drive	210	14187	Navistar	Drive	211
M806	Marmon-Herrington	Drive	210	1419	Navistar	Drive	211
M904	Marmon-Herrington	Drive	210	14193	Navistar	Drive	211
M906	Marmon-Herrington	Drive	210	14194	Navistar	Drive	211
MH555-4	Marmon-Herrington	Drive	210	14199	Navistar	Drive	211
MH555-6	Marmon-Herrington	Drive	210	1420	Navistar	Drive	211
MH610-4	Marmon-Herrington	Drive	210	1421	Navistar	Drive	211
MH610A-4	Marmon-Herrington	Drive	210	1422	Navistar	Drive	211
MH620-6	Marmon-Herrington	Drive	210	1423	Navistar	Drive	211
MH625-4	Marmon-Herrington	Drive	210	1424	Navistar	Drive	211
MH630-4	Marmon-Herrington	Drive	210	1425	Navistar	Drive	211
R4-4	Marmon-Herrington	Drive	210	1426	Navistar	Drive	211
R5-4	Marmon-Herrington	Drive	210	1427	Navistar	Drive	211
R6-4	Marmon-Herrington	Drive	210	14277	Navistar	Drive	211
T756A	Marmon-Herrington	Drive	210	1428	Navistar	Drive	212
TC1700	Marmon-Herrington	Drive	210	14282	Navistar	Drive	212
TC40	Marmon-Herrington	Drive	210	1429	Navistar	Drive	212
TC44	Marmon-Herrington	Drive	210	14298	Navistar	Drive	212
TC48	Marmon-Herrington	Drive	210	14308	Navistar	Drive	212
TC49	Marmon-Herrington	Drive	210	14309	Navistar	Drive	212
TC50	Marmon-Herrington	Drive	210	14311	Navistar	Drive	212
L1316	Mercedes Benz	Drive	210	14315	Navistar	Drive	212
L1418	Mercedes Benz	Drive	210	1433	Navistar	Drive	212
LS1418	Mercedes Benz	Drive	210	1435	Navistar	Drive	212
FK415	Mitsubishi Fuso	Drive	211	14350	Navistar	Drive	212
FK455	Mitsubishi Fuso	Drive	211	14357	Navistar	Drive	212
FM555	Mitsubishi Fuso	Drive	211	1436	Navistar	Drive	212
1401	Navistar	Drive	211	14369	Navistar	Drive	212
1402	Navistar	Drive	211	1438	Navistar	Drive	212
14026	Navistar	Drive	211	14389	Navistar	Drive	212
14027	Navistar	Drive	211	14399	Navistar	Drive	212
14029	Navistar	Drive	211	1443	Navistar	Drive	212
1403	Navistar	Drive	211	14437	Navistar	Drive	212
14032	Navistar	Drive	211	1444	Navistar	Drive	212
14036	Navistar	Drive	211	14465	Navistar	Drive	212
14039	Navistar	Drive	211	14472	Navistar	Drive	212
1404	Navistar	Drive	211	14474	Navistar	Drive	212
14040	Navistar	Drive	211	14475	Navistar	Drive	212
14047	Navistar	Drive	211	14476	Navistar	Drive	212
1405	Navistar	Drive	211	14493	Navistar	Drive	212
14051	Navistar	Drive	211	14494	Navistar	Drive	212
14052	Navistar	Drive	211	14496	Navistar	Drive	212
14057	Navistar	Drive	211	14498	Navistar	Drive	212
1406	Navistar	Drive	211	1450	Navistar	Drive	212

Axle numerical listing - (cont.)

Axle	Manufacturer	Section	Pg.	Axle	Manufacturer	Section	Pg.
1451.....	Navistar	Drive	212	RA138.....	Navistar	Drive	212
1452.....	Navistar	Drive	212	RA14.....	Navistar	Drive	212
1453.....	Navistar	Drive	212	RA140.....	Navistar	Drive	212
1454.....	Navistar	Drive	212	RA143.....	Navistar	Drive	212
1455.....	Navistar	Drive	212	RA145.....	Navistar	Drive	212
1456.....	Navistar	Drive	212	RA146.....	Navistar	Drive	212
1457.....	Navistar	Drive	212	RA147.....	Navistar	Drive	212
1458.....	Navistar	Drive	212	RA149.....	Navistar	Drive	212
1459.....	Navistar	Drive	212	RA15.....	Navistar	Drive	212
1486.....	Navistar	Drive	212	RA150.....	Navistar	Drive	212
1492.....	Navistar	Drive	212	RA151.....	Navistar	Drive	212
1493.....	Navistar	Drive	212	RA152.....	Navistar	Drive	212
1497.....	Navistar	Drive	212	RA155.....	Navistar	Drive	212
14ADA.....	Navistar	Drive	212	RA156.....	Navistar	Drive	212
14ADB.....	Navistar	Drive	212	RA157.....	Navistar	Drive	212
14ADC.....	Navistar	Drive	212	RA158.....	Navistar	Drive	212
14ADD.....	Navistar	Drive	212	RA16.....	Navistar	Drive	212
14ADH.....	Navistar	Drive	212	RA160.....	Navistar	Drive	212
14ARB.....	Navistar	Drive	212	RA161.....	Navistar	Drive	212
14ARC.....	Navistar	Drive	212	RA162.....	Navistar	Drive	212
14ARD.....	Navistar	Drive	212	RA164.....	Navistar	Drive	212
14ARE.....	Navistar	Drive	212	RA165.....	Navistar	Drive	212
14ARG.....	Navistar	Drive	212	RA166.....	Navistar	Drive	212
14CDA.....	Navistar	Drive	212	RA167.....	Navistar	Drive	212
14CDB.....	Navistar	Drive	212	RA168.....	Navistar	Drive	212
14EEA.....	Navistar	Drive	212	RA17.....	Navistar	Drive	212
14GDA.....	Navistar	Drive	212	RA170.....	Navistar	Drive	212
14GEA.....	Navistar	Drive	212	RA171.....	Navistar	Drive	212
14GEB.....	Navistar	Drive	212	RA172.....	Navistar	Drive	212
14GEC.....	Navistar	Drive	212	RA173.....	Navistar	Drive	212
14GED.....	Navistar	Drive	212	RA174.....	Navistar	Drive	212
14GEH.....	Navistar	Drive	212	RA175.....	Navistar	Drive	212
14GEJ.....	Navistar	Drive	212	RA176.....	Navistar	Drive	212
14GEK.....	Navistar	Drive	212	RA178.....	Navistar	Drive	212
14GEL.....	Navistar	Drive	212	RA18.....	Navistar	Drive	212
14GRA.....	Navistar	Drive	212	RA180.....	Navistar	Drive	212
14GRB.....	Navistar	Drive	212	RA181.....	Navistar	Drive	212
14GRC.....	Navistar	Drive	212	RA184.....	Navistar	Drive	212
14GRD.....	Navistar	Drive	212	RA186.....	Navistar	Drive	212
14GRE.....	Navistar	Drive	212	RA187.....	Navistar	Drive	212
14GRG.....	Navistar	Drive	212	RA189.....	Navistar	Drive	212
14GRH.....	Navistar	Drive	212	RA19.....	Navistar	Drive	212
14GRP.....	Navistar	Drive	212	RA190.....	Navistar	Drive	212
14GRR.....	Navistar	Drive	212	RA191.....	Navistar	Drive	212
14GRS.....	Navistar	Drive	212	RA192.....	Navistar	Drive	212
R1070.....	Navistar	Drive	212	RA193.....	Navistar	Drive	212
R1165.....	Navistar	Drive	212	RA194.....	Navistar	Drive	212
R1170.....	Navistar	Drive	212	RA196.....	Navistar	Drive	212
RA1.....	Navistar	Drive	212	RA197.....	Navistar	Drive	212
RA10.....	Navistar	Drive	212	RA199.....	Navistar	Drive	212
RA11.....	Navistar	Drive	212	RA2.....	Navistar	Drive	212
RA118.....	Navistar	Drive	212	RA20.....	Navistar	Drive	212
RA119.....	Navistar	Drive	212	RA21.....	Navistar	Drive	212
RA12.....	Navistar	Drive	212	RA23.....	Navistar	Drive	212
RA120.....	Navistar	Drive	212	RA236.....	Navistar	Drive	212
RA125.....	Navistar	Drive	212	RA24.....	Navistar	Drive	212
RA126.....	Navistar	Drive	212	RA240.....	Navistar	Drive	212
RA127.....	Navistar	Drive	212	RA241.....	Navistar	Drive	212
RA128.....	Navistar	Drive	212	RA243.....	Navistar	Drive	212
RA129.....	Navistar	Drive	212	RA245.....	Navistar	Drive	212
RA13.....	Navistar	Drive	212	RA246.....	Navistar	Drive	212
RA130.....	Navistar	Drive	212	RA25.....	Navistar	Drive	212
RA131.....	Navistar	Drive	212	RA250.....	Navistar	Drive	212
RA132.....	Navistar	Drive	212	RA251.....	Navistar	Drive	212
RA133.....	Navistar	Drive	212	RA252.....	Navistar	Drive	212
RA135.....	Navistar	Drive	212	RA255.....	Navistar	Drive	212
RA136.....	Navistar	Drive	212	RA256.....	Navistar	Drive	212

A P P L I C A T I O N S
 TRAILER, TAG & PUSHER AXLES
 FRONT AXLES
 DRIVE AXLES
 PINION SEALS
 CONMET®
 LIGHT TRUCK

Axle numerical listing - (cont.)

Axle	Manufacturer	Section	Pg. no.	Axle	Manufacturer	Section	Pg. no.
RA257	Navistar	Drive	212	RA331	Navistar	Drive	213
RA26	Navistar	Drive	212	RA332	Navistar	Drive	213
RA262	Navistar	Drive	212	RA333	Navistar	Drive	213
RA264	Navistar	Drive	212	RA334	Navistar	Drive	213
RA265	Navistar	Drive	212	RA335	Navistar	Drive	213
RA266	Navistar	Drive	212	RA336	Navistar	Drive	213
RA267	Navistar	Drive	212	RA337	Navistar	Drive	213
RA268	Navistar	Drive	212	RA338	Navistar	Drive	213
RA27	Navistar	Drive	212	RA339	Navistar	Drive	213
RA270	Navistar	Drive	212	RA34	Navistar	Drive	213
RA271	Navistar	Drive	212	RA340	Navistar	Drive	213
RA272	Navistar	Drive	212	RA341	Navistar	Drive	213
RA273	Navistar	Drive	212	RA342	Navistar	Drive	213
RA274	Navistar	Drive	212	RA343	Navistar	Drive	213
RA275	Navistar	Drive	212	RA344	Navistar	Drive	213
RA276	Navistar	Drive	213	RA345	Navistar	Drive	213
RA277	Navistar	Drive	213	RA346	Navistar	Drive	213
RA278	Navistar	Drive	213	RA347	Navistar	Drive	213
RA279	Navistar	Drive	213	RA348	Navistar	Drive	213
RA28	Navistar	Drive	213	RA349	Navistar	Drive	213
RA282	Navistar	Drive	213	RA35	Navistar	Drive	213
RA286	Navistar	Drive	213	RA350	Navistar	Drive	213
RA29	Navistar	Drive	213	RA351	Navistar	Drive	213
RA290	Navistar	Drive	213	RA352	Navistar	Drive	213
RA291	Navistar	Drive	213	RA353	Navistar	Drive	213
RA292	Navistar	Drive	213	RA354	Navistar	Drive	213
RA293	Navistar	Drive	213	RA355	Navistar	Drive	213
RA294	Navistar	Drive	213	RA356	Navistar	Drive	213
RA299	Navistar	Drive	213	RA357	Navistar	Drive	213
RA3	Navistar	Drive	213	RA358	Navistar	Drive	213
RA30	Navistar	Drive	213	RA359	Navistar	Drive	213
RA300	Navistar	Drive	213	RA36	Navistar	Drive	213
RA301	Navistar	Drive	213	RA360	Navistar	Drive	213
RA302	Navistar	Drive	213	RA361	Navistar	Drive	213
RA303	Navistar	Drive	213	RA362	Navistar	Drive	213
RA304	Navistar	Drive	213	RA363	Navistar	Drive	213
RA305	Navistar	Drive	213	RA364	Navistar	Drive	213
RA306	Navistar	Drive	213	RA365	Navistar	Drive	213
RA307	Navistar	Drive	213	RA369	Navistar	Drive	213
RA308	Navistar	Drive	213	RA37	Navistar	Drive	213
RA309	Navistar	Drive	213	RA370	Navistar	Drive	213
RA31	Navistar	Drive	213	RA371	Navistar	Drive	213
RA310	Navistar	Drive	213	RA372	Navistar	Drive	213
RA311	Navistar	Drive	213	RA373	Navistar	Drive	213
RA312	Navistar	Drive	213	RA374	Navistar	Drive	213
RA313	Navistar	Drive	213	RA375	Navistar	Drive	213
RA314	Navistar	Drive	213	RA377	Navistar	Drive	213
RA315	Navistar	Drive	213	RA378	Navistar	Drive	213
RA316	Navistar	Drive	213	RA38	Navistar	Drive	213
RA317	Navistar	Drive	213	RA382	Navistar	Drive	213
RA318	Navistar	Drive	213	RA383	Navistar	Drive	213
RA319	Navistar	Drive	213	RA386	Navistar	Drive	213
RA32	Navistar	Drive	213	RA387	Navistar	Drive	213
RA320	Navistar	Drive	213	RA388	Navistar	Drive	213
RA321	Navistar	Drive	213	RA389	Navistar	Drive	213
RA322	Navistar	Drive	213	RA39	Navistar	Drive	213
RA323	Navistar	Drive	213	RA390	Navistar	Drive	213
RA324	Navistar	Drive	213	RA391	Navistar	Drive	213
RA325	Navistar	Drive	213	RA392	Navistar	Drive	213
RA326	Navistar	Drive	213	RA393	Navistar	Drive	213
RA327	Navistar	Drive	213	RA395	Navistar	Drive	213
RA327F	Navistar	Drive	213	RA396	Navistar	Drive	213
RA327R	Navistar	Drive	213	RA397	Navistar	Drive	213
RA328	Navistar	Drive	213	RA399	Navistar	Drive	213
RA329	Navistar	Drive	213	RA4	Navistar	Drive	213
RA33	Navistar	Drive	213	RA40	Navistar	Drive	213
RA330	Navistar	Drive	213	RA408	Navistar	Drive	213

Axle numerical listing - (cont.)

Axle	Manufacturer	Section	Pg.	Axle	Manufacturer	Section	Pg.
RA41.....	Navistar	Drive	213	RA59.....	Navistar	Drive	214
RA42.....	Navistar	Drive	213	RA6.....	Navistar	Drive	214
RA426.....	Navistar	Drive	213	RA60.....	Navistar	Drive	214
RA429.....	Navistar	Drive	213	RA63.....	Navistar	Drive	214
RA43.....	Navistar	Drive	213	RA64.....	Navistar	Drive	214
RA430.....	Navistar	Drive	213	RA65.....	Navistar	Drive	214
RA431.....	Navistar	Drive	213	RA66.....	Navistar	Drive	214
RA432.....	Navistar	Drive	213	RA67.....	Navistar	Drive	214
RA433.....	Navistar	Drive	213	RA69.....	Navistar	Drive	214
RA434.....	Navistar	Drive	213	RA70.....	Navistar	Drive	214
RA437.....	Navistar	Drive	213	RA701.....	Navistar	Drive	214
RA44.....	Navistar	Drive	213	RA702.....	Navistar	Drive	214
RA446.....	Navistar	Drive	213	RA703.....	Navistar	Drive	214
RA448.....	Navistar	Drive	213	RA704.....	Navistar	Drive	214
RA449.....	Navistar	Drive	213	RA705.....	Navistar	Drive	214
RA45.....	Navistar	Drive	213	RA706.....	Navistar	Drive	214
RA451.....	Navistar	Drive	213	RA707.....	Navistar	Drive	214
RA455.....	Navistar	Drive	213	RA71.....	Navistar	Drive	214
RA459.....	Navistar	Drive	213	RA72.....	Navistar	Drive	214
RA46.....	Navistar	Drive	213	RA727.....	Navistar	Drive	214
RA460.....	Navistar	Drive	213	RA728.....	Navistar	Drive	214
RA461.....	Navistar	Drive	213	RA73.....	Navistar	Drive	214
RA463.....	Navistar	Drive	213	RA74.....	Navistar	Drive	214
RA464.....	Navistar	Drive	213	RA75.....	Navistar	Drive	214
RA465.....	Navistar	Drive	213	RA76.....	Navistar	Drive	214
RA467.....	Navistar	Drive	213	RA77.....	Navistar	Drive	214
RA468.....	Navistar	Drive	213	RA78.....	Navistar	Drive	214
RA469.....	Navistar	Drive	213	RA79.....	Navistar	Drive	214
RA47.....	Navistar	Drive	213	RA80.....	Navistar	Drive	214
RA470.....	Navistar	Drive	213	RA81.....	Navistar	Drive	214
RA471.....	Navistar	Drive	213	RA83.....	Navistar	Drive	214
RA472.....	Navistar	Drive	213	RA84.....	Navistar	Drive	214
RA474.....	Navistar	Drive	213	RA87.....	Navistar	Drive	214
RA475.....	Navistar	Drive	213	RA88.....	Navistar	Drive	214
RA476.....	Navistar	Drive	213	RA89.....	Navistar	Drive	214
RA48.....	Navistar	Drive	213	RA9.....	Navistar	Drive	214
RA480.....	Navistar	Drive	213	RA90.....	Navistar	Drive	214
RA481.....	Navistar	Drive	213	RA91.....	Navistar	Drive	214
RA482.....	Navistar	Drive	213	RA92.....	Navistar	Drive	214
RA483.....	Navistar	Drive	213	RA95.....	Navistar	Drive	214
RA484.....	Navistar	Drive	213	RA96.....	Navistar	Drive	214
RA485.....	Navistar	Drive	213	RA97.....	Navistar	Drive	214
RA486.....	Navistar	Drive	213	RA98.....	Navistar	Drive	214
RA487.....	Navistar	Drive	213	RA99.....	Navistar	Drive	214
RA488.....	Navistar	Drive	213	RAACA.....	Navistar	Drive	214
RA490.....	Navistar	Drive	214	RAADB.....	Navistar	Drive	214
RA491.....	Navistar	Drive	214	RAADC.....	Navistar	Drive	214
RA492.....	Navistar	Drive	214	RAADD.....	Navistar	Drive	214
RA493.....	Navistar	Drive	214	RAADE.....	Navistar	Drive	214
RA494.....	Navistar	Drive	214	RAADG.....	Navistar	Drive	214
RA495.....	Navistar	Drive	214	RAADH.....	Navistar	Drive	214
RA496.....	Navistar	Drive	214	RAADN.....	Navistar	Drive	214
RA497.....	Navistar	Drive	214	RAADP.....	Navistar	Drive	214
RA498.....	Navistar	Drive	214	RAAED.....	Navistar	Drive	214
RA499.....	Navistar	Drive	214	RAAEG.....	Navistar	Drive	214
RA5.....	Navistar	Drive	214	RAARB.....	Navistar	Drive	214
RA50.....	Navistar	Drive	214	RAARC.....	Navistar	Drive	214
RA500.....	Navistar	Drive	214	RAARD.....	Navistar	Drive	214
RA502.....	Navistar	Drive	214	RAARE.....	Navistar	Drive	214
RA51.....	Navistar	Drive	214	RAARH.....	Navistar	Drive	214
RA52.....	Navistar	Drive	214	RAARJ.....	Navistar	Drive	214
RA53.....	Navistar	Drive	214	RACDB.....	Navistar	Drive	214
RA54.....	Navistar	Drive	214	RACEA.....	Navistar	Drive	214
RA55.....	Navistar	Drive	214	RACEB.....	Navistar	Drive	214
RA56.....	Navistar	Drive	214	RAEEB.....	Navistar	Drive	214
RA57.....	Navistar	Drive	214	RAEEC.....	Navistar	Drive	214
RA58.....	Navistar	Drive	214	RAERA.....	Navistar	Drive	214

A P P L I C A T I O N S
 TRAILER, TAG & PUSH AXLES
 FRONT AXLES
 DRIVE AXLES
 PINION SEALS
 CONMET®
 LIGHT TRUCK

Axle numerical listing - (cont.)

Axle	Manufacturer	Section	Pg. no.	Axle	Manufacturer	Section	Pg. no.
RAERB	Navistar	Drive	214	WA906-6X6	Oshkosh	Drive	219
RAGDA	Navistar	Drive	214	18 Series	Peterbilt	Drive	219
RAGEB	Navistar	Drive	214	19 Series	Peterbilt	Drive	219
RAGEC	Navistar	Drive	214	38D	Peterbilt	Drive	219
RAGED	Navistar	Drive	214	38DPC	Peterbilt	Drive	219
RAGEE	Navistar	Drive	214	38DPE	Peterbilt	Drive	219
RAGEH	Navistar	Drive	214	38DS	Peterbilt	Drive	219
RAGEL	Navistar	Drive	214	44D	Peterbilt	Drive	219
RAGEM	Navistar	Drive	214	120	Peterbilt Truck	Drive	220
RAGRA	Navistar	Drive	214	260	Peterbilt Truck	Drive	220
RAGRB	Navistar	Drive	214	280	Peterbilt Truck	Drive	220
RAGRC	Navistar	Drive	214	281	Peterbilt Truck	Drive	220
RAGRD	Navistar	Drive	214	351	Peterbilt Truck	Drive	220
RAGRE	Navistar	Drive	214	355DT	Peterbilt Truck	Drive	220
RAGRG	Navistar	Drive	214	360	Peterbilt Truck	Drive	220
RAGRH	Navistar	Drive	214	365DT	Peterbilt Truck	Drive	220
RAGRJ	Navistar	Drive	214	370	Peterbilt Truck	Drive	220
RAGRN	Navistar	Drive	214	371	Peterbilt Truck	Drive	220
RAGRP	Navistar	Drive	214	380	Peterbilt Truck	Drive	220
RAGRR	Navistar	Drive	214	381	Peterbilt Truck	Drive	220
RAGRS	Navistar	Drive	214	390	Peterbilt Truck	Drive	220
RAGRX	Navistar	Drive	214	FRDP-11-S			
RAGRY	Navistar	Drive	214	(8/95 Thru 9/02) ...	SISU	Drive	220
RA146	Navistar School Bus	Drive	218	FRDP-13-S	SISU	Drive	220
RA149	Navistar School Bus	Drive	218	FRDP-16-S	SISU	Drive	220
RA184	Navistar School Bus	Drive	218	FRFP-11-S			
RA186	Navistar School Bus	Drive	218	(8/95 Thru 9/02) ...	SISU	Drive	220
RA187	Navistar School Bus	Drive	218	FRFP-13-S			
RA189	Navistar School Bus	Drive	218	(Thru Ser.			
RA199	Navistar School Bus	Drive	218	No. 20576) ...	SISU	Drive	220
RA25	Navistar School Bus	Drive	218	FRMP-11-S			
RA286	Navistar School Bus	Drive	218	(8/95 Thru 9/02) ...	SISU	Drive	220
RA29	Navistar School Bus	Drive	218	FRMP-13-S	SISU	Drive	220
RA30	Navistar School Bus	Drive	218	FRMP-16-S	SISU	Drive	220
RA39	Navistar School Bus	Drive	218	FRP-16-S			
RA42	Navistar School Bus	Drive	218	(Thru Ser.			
RA43	Navistar School Bus	Drive	218	No. 20576) ...	SISU	Drive	220
RA44	Navistar School Bus	Drive	218	SRDP-30-S			
LFE700	Navistar Truck	Drive	218	(8/95 Thru 9/02) ...	SISU	Drive	220
LFE900	Navistar Truck	Drive	218	185T	Spicer	Drive	221
CPB12	Nissan	Drive	218	23	Spicer	Drive	221
CPC12	Nissan	Drive	218	27	Spicer	Drive	221
UD3000/CPB14	Nissan	Drive	218	30	Spicer	Drive	221
UD3300/CPC14	Nissan	Drive	218	44	Spicer	Drive	221
UD550T/CPC14-T	Nissan	Drive	218	60	Spicer	Drive	221
18-34	Oshkosh	Drive	219	60-2	Spicer	Drive	221
18-38	Oshkosh	Drive	219	70	Spicer	Drive	221
F2034	Oshkosh	Drive	219	70HD	Spicer	Drive	221
F2044	Oshkosh	Drive	219	D135S	Spicer	Drive	221
F2050	Oshkosh	Drive	219	F155S	Spicer	Drive	221
M18-34	Oshkosh	Drive	219	F170S	Spicer	Drive	221
M18-38	Oshkosh	Drive	219	G155T	Spicer	Drive	221
W1600	Oshkosh	Drive	219	G175S	Spicer	Drive	221
W1602	Oshkosh	Drive	219	G175T	Spicer	Drive	221
W609	Oshkosh	Drive	219	G185S	Spicer	Drive	221
W703	Oshkosh	Drive	219	G185T	Spicer	Drive	221
W705	Oshkosh	Drive	219	G190S	Spicer	Drive	221
W709	Oshkosh	Drive	219	G340S	Spicer	Drive	221
W710	Oshkosh	Drive	219	G380S	Spicer	Drive	221
W712	Oshkosh	Drive	219	G400S	Spicer	Drive	221
W825-6X6	Oshkosh	Drive	219	J175S	Spicer	Drive	221
W825-6X6HD	Oshkosh	Drive	219	J190S	Spicer	Drive	221
W826-6X6	Oshkosh	Drive	219	J210S	Spicer	Drive	221
W826-6X6HD	Oshkosh	Drive	219	J220S	Spicer	Drive	221
W827-6X6HD	Oshkosh	Drive	219	J340S	Spicer	Drive	221
W906-6X6	Oshkosh	Drive	219	J400S	Spicer	Drive	221
WA1600	Oshkosh	Drive	219	J460S	Spicer	Drive	221

Axle numerical listing - (cont.)

Axle	Manufacturer	Section	Pg.	Axle	Manufacturer	Section	Pg.
M185T	Spicer	Drive	221	FT40DL	Twin Coach	Drive	224
M190S	Spicer	Drive	221	23121	Volvo	Drive	224
M190T	Spicer	Drive	221	23421	Volvo	Drive	224
M200S	Spicer	Drive	221	EV85	Volvo	Drive	224
M210T	Spicer	Drive	221	F607	Volvo	Drive	224
M220S	Spicer	Drive	221	F609	Volvo	Drive	224
M220T	Spicer	Drive	221	F610	Volvo	Drive	224
M230T	Spicer	Drive	221	F615	Volvo	Drive	224
M460S	Spicer	Drive	221	F616	Volvo	Drive	224
N175	Spicer	Drive	221	F7	Volvo	Drive	224
N190	Spicer	Drive	221	F86	Volvo	Drive	224
N340	Spicer	Drive	221	N11	Volvo	Drive	224
S135S	Spicer	Drive	221	120	Ward LaFrance	Drive	225
S150S	Spicer	Drive	221	120 Tractor	Ward LaFrance	Drive	225
W230S	Spicer	Drive	221	150	Ward LaFrance	Drive	225
W460S	Spicer	Drive	221	400R1-44	Ward LaFrance	Drive	225
WC190S	Spicer	Drive	221	400RD1-44	Ward LaFrance	Drive	225
CC20	Sterling	Drive	223	500R1-44	Ward LaFrance	Drive	225
CC235	Sterling	Drive	223	500R66	Ward LaFrance	Drive	225
DD115	Sterling	Drive	223	500RD1-44	Ward LaFrance	Drive	225
DD145	Sterling	Drive	223	500RD53	Ward LaFrance	Drive	225
DD145H	Sterling	Drive	223	500RD66	Ward LaFrance	Drive	225
DD150	Sterling	Drive	223	56	Ward LaFrance	Drive	225
DDS135	Sterling	Drive	223	56H	Ward LaFrance	Drive	225
DDS150	Sterling	Drive	223	56LD	Ward LaFrance	Drive	225
HA1601	Sterling	Drive	223	56QD	Ward LaFrance	Drive	225
HA1701	Sterling	Drive	223	58	Ward LaFrance	Drive	225
HB1101	Sterling	Drive	223	59	Ward LaFrance	Drive	225
HB1604	Sterling	Drive	223	600R1-44	Ward LaFrance	Drive	225
HB1701	Sterling	Drive	223	600R53-66	Ward LaFrance	Drive	225
HB1904	Sterling	Drive	223	700R53-66	Ward LaFrance	Drive	225
HB2001	Sterling	Drive	223	700RD1-44	Ward LaFrance	Drive	225
HB2001D	Sterling	Drive	223	75	Ward LaFrance	Drive	225
HB2254	Sterling	Drive	223	82	Ward LaFrance	Drive	225
HD110	Sterling	Drive	223	83	Ward LaFrance	Drive	225
HD135	Sterling	Drive	223	85	Ward LaFrance	Drive	225
HD145	Sterling	Drive	223	D1T	Ward LaFrance	Drive	225
HD145H	Sterling	Drive	223	D1T2	Ward LaFrance	Drive	225
HDS140	Sterling	Drive	223	D1T4	Ward LaFrance	Drive	225
HWS160H	Sterling	Drive	223	D2	Ward LaFrance	Drive	225
HWS235	Sterling	Drive	223	D2B	Ward LaFrance	Drive	225
HWS235G	Sterling	Drive	223	D2BF	Ward LaFrance	Drive	225
HWS235H	Sterling	Drive	223	D2BG	Ward LaFrance	Drive	225
AG3102	Superior	Drive	224	D2BH	Ward LaFrance	Drive	225
35G	Twin Coach	Drive	224	D2K	Ward LaFrance	Drive	225
35R	Twin Coach	Drive	224	D2KH	Ward LaFrance	Drive	225
35S	Twin Coach	Drive	224	D2KT	Ward LaFrance	Drive	225
40GGT	Twin Coach	Drive	224	D2Z	Ward LaFrance	Drive	225
40R	Twin Coach	Drive	224	D2ZF	Ward LaFrance	Drive	225
41G	Twin Coach	Drive	224	D2ZG	Ward LaFrance	Drive	225
41R	Twin Coach	Drive	224	D2ZH	Ward LaFrance	Drive	225
41S	Twin Coach	Drive	224	D2ZT	Ward LaFrance	Drive	225
44GTT	Twin Coach	Drive	224	D310S	Ward LaFrance	Drive	225
44R	Twin Coach	Drive	224	D340S	Ward LaFrance	Drive	225
44S	Twin Coach	Drive	224	D3F	Ward LaFrance	Drive	225
44TTW	Twin Coach	Drive	224	D3G	Ward LaFrance	Drive	225
45S	Twin Coach	Drive	224	D3H	Ward LaFrance	Drive	225
4877W	Twin Coach	Drive	224	D3SF	Ward LaFrance	Drive	225
50S	Twin Coach	Drive	224	D3SG	Ward LaFrance	Drive	225
FL30	Twin Coach	Drive	224	D3ST	Ward LaFrance	Drive	225
FL33	Twin Coach	Drive	224	D3T	Ward LaFrance	Drive	225
FL35	Twin Coach	Drive	224	D3T2	Ward LaFrance	Drive	225
FL40	Twin Coach	Drive	224	D3T4	Ward LaFrance	Drive	225
FT30	Twin Coach	Drive	224	D400S	Ward LaFrance	Drive	225
FT33	Twin Coach	Drive	224	D490T	Ward LaFrance	Drive	225
FT35	Twin Coach	Drive	224	D530T	Ward LaFrance	Drive	225
FT40	Twin Coach	Drive	224	D550T	Ward LaFrance	Drive	225

A P P L I C A T I O N S
TRAILER, TAG & PUSHER AXLES
FRONT AXLES
DRIVE AXLES
PINION SEALS
CONMET®
LIGHT TRUCK

Axle numerical listing - (cont.)

Axle	Manufacturer	Section	Pg. no.	Axle	Manufacturer	Section	Pg. no.
D590T	Ward LaFrance	Drive	225	205C	White	Drive	226
D5NT	Ward LaFrance	Drive	225	205CA	White	Drive	226
D5NT4	Ward LaFrance	Drive	225	205CC	White	Drive	226
D5RT	Ward LaFrance	Drive	225	205CD	White	Drive	226
D5RT4	Ward LaFrance	Drive	225	206C	White	Drive	226
D5T	Ward LaFrance	Drive	225	207C	White	Drive	226
D5T4	Ward LaFrance	Drive	225	208C	White	Drive	226
D610T	Ward LaFrance	Drive	225	209C	White	Drive	226
D650T	Ward LaFrance	Drive	225	210C	White	Drive	226
DS5H	Ward LaFrance	Drive	225	211C	White	Drive	226
F3SH	Ward LaFrance	Drive	225	212C	White	Drive	226
FD1	Ward LaFrance	Drive	225	213C	White	Drive	226
FD2	Ward LaFrance	Drive	225	214C	White	Drive	226
G310S	Ward LaFrance	Drive	225	215C	White	Drive	226
G340S	Ward LaFrance	Drive	225	216C	White	Drive	226
G400S	Ward LaFrance	Drive	225	220C	White	Drive	226
G490T	Ward LaFrance	Drive	225	221C	White	Drive	226
G530T	Ward LaFrance	Drive	225	223C	White	Drive	226
G550T	Ward LaFrance	Drive	225	225C	White	Drive	226
G590T	Ward LaFrance	Drive	225	229C	White	Drive	226
G610T	Ward LaFrance	Drive	225	232C	White	Drive	226
G650T	Ward LaFrance	Drive	225	233C	White	Drive	226
W5N	Ward LaFrance	Drive	225	235C	White	Drive	226
W5RB	Ward LaFrance	Drive	225	237C	White	Drive	226
102C	White	Drive	226	238C	White	Drive	226
105C	White	Drive	226	239C	White	Drive	226
106C	White	Drive	226	240C	White	Drive	227
106CE	White	Drive	226	245C	White	Drive	227
107C	White	Drive	226	24C	White	Drive	227
107CA	White	Drive	226	26121	White	Drive	227
107CD	White	Drive	226	282C	White	Drive	227
108C	White	Drive	226	282CA	White	Drive	227
109C	White	Drive	226	282CB	White	Drive	227
116C	White	Drive	226	282CC	White	Drive	227
118C	White	Drive	226	282CE	White	Drive	227
124C	White	Drive	226	282CF	White	Drive	227
124CL	White	Drive	226	282CG	White	Drive	227
125C	White	Drive	226	282CH	White	Drive	227
130C	White	Drive	226	282CI	White	Drive	227
132C	White	Drive	226	282CJ	White	Drive	227
133C	White	Drive	226	282CK	White	Drive	227
134C	White	Drive	226	282CL	White	Drive	227
134CL	White	Drive	226	289C	White	Drive	227
135C	White	Drive	226	292C	White	Drive	227
136C	White	Drive	226	293C	White	Drive	227
136CA	White	Drive	226	294C	White	Drive	227
136CB	White	Drive	226	294CA	White	Drive	227
137C	White	Drive	226	294CB	White	Drive	227
138C	White	Drive	226	295D	White	Drive	227
140C	White	Drive	226	302C	White	Drive	227
143C	White	Drive	226	303C	White	Drive	227
144C	White	Drive	226	304C	White	Drive	227
145C	White	Drive	226	306C	White	Drive	227
170C	White	Drive	226	308C	White	Drive	227
17121	White	Drive	226	309C	White	Drive	227
17221	White	Drive	226	311C	White	Drive	227
18201	White	Drive	226	312C	White	Drive	227
18221	White	Drive	226	315C	White	Drive	227
1890A	White	Drive	226	316C	White	Drive	227
189C	White	Drive	226	317C	White	Drive	227
189CA	White	Drive	226	318C	White	Drive	227
189CD	White	Drive	226	319C	White	Drive	227
19121	White	Drive	226	320C	White	Drive	227
1919	White	Drive	226	321C	White	Drive	227
19221	White	Drive	226	322C	White	Drive	227
199C	White	Drive	226	322CL	White	Drive	227
202C	White	Drive	226	323C	White	Drive	227

Axle numerical listing - (cont.)

Axle	Manufacturer	Section	Pg.	Axle	Manufacturer	Section	Pg.
324C	White	Drive	227	411C	White	Drive	227
325C	White	Drive	227	412C	White	Drive	227
327C	White	Drive	227	412CA	White	Drive	227
328C	White	Drive	227	413C	White	Drive	227
328CB	White	Drive	227	413CA	White	Drive	227
329C	White	Drive	227	414C	White	Drive	227
329CE	White	Drive	227	415C	White	Drive	227
330C	White	Drive	227	417C	White	Drive	227
333C	White	Drive	227	418C	White	Drive	227
333TC	White	Drive	227	418CA	White	Drive	227
333TCL	White	Drive	227	41C	White	Drive	227
335C	White	Drive	227	41CL	White	Drive	227
335CL	White	Drive	227	420C	White	Drive	227
336C	White	Drive	227	421C	White	Drive	227
337C	White	Drive	227	422C	White	Drive	227
338C	White	Drive	227	423C	White	Drive	227
339C	White	Drive	227	424C	White	Drive	227
33C	White	Drive	227	425C	White	Drive	227
33C6	White	Drive	227	426C	White	Drive	227
33C6A	White	Drive	227	427C	White	Drive	227
33C6B	White	Drive	227	428C	White	Drive	227
33CAB	White	Drive	227	429C	White	Drive	227
33CAC	White	Drive	227	430C	White	Drive	227
33CAL	White	Drive	227	431C	White	Drive	227
33CAM	White	Drive	227	432C	White	Drive	227
33CAR	White	Drive	227	433C	White	Drive	227
340C	White	Drive	227	434C	White	Drive	227
341C	White	Drive	227	436C	White	Drive	227
342C	White	Drive	227	437C	White	Drive	227
343C	White	Drive	227	438C	White	Drive	227
344C	White	Drive	227	439C	White	Drive	227
345C	White	Drive	227	43C	White	Drive	227
346C	White	Drive	227	440C	White	Drive	227
347C	White	Drive	227	44C	White	Drive	227
349C	White	Drive	227	450C	White	Drive	227
34C	White	Drive	227	451C	White	Drive	227
34CL	White	Drive	227	452C	White	Drive	227
34D	White	Drive	227	45C	White	Drive	227
350C	White	Drive	227	48C	White	Drive	227
351C	White	Drive	227	67C	White	Drive	227
352	White	Drive	227	77C	White	Drive	227
352C	White	Drive	227	78C	White	Drive	227
35327	White	Drive	227	81C	White	Drive	227
382C	White	Drive	227	82C	White	Drive	227
389	White	Drive	227	82CA	White	Drive	227
389C	White	Drive	227	82CB	White	Drive	227
389CA	White	Drive	227	82CC	White	Drive	227
389TC	White	Drive	227	82CD	White	Drive	227
389TCL	White	Drive	227	82CE	White	Drive	227
38C	White	Drive	227	82CF	White	Drive	227
38D	White	Drive	227	82CG	White	Drive	227
38DS				82CH	White	Drive	227
(9/81 & Later)	White	Drive	227	82CI	White	Drive	227
400C	White	Drive	227	82CJ	White	Drive	227
401C	White	Drive	227	82CK	White	Drive	227
402C	White	Drive	227	82CL	White	Drive	227
403C	White	Drive	227	83C	White	Drive	227
404C	White	Drive	227	84C	White	Drive	227
404CB	White	Drive	227	85C	White	Drive	227
405C	White	Drive	227	87C	White	Drive	227
406C	White	Drive	227	87CE	White	Drive	227
407C	White	Drive	227	87CJ	White	Drive	227
407CA	White	Drive	227	87CK	White	Drive	227
408C	White	Drive	227	87CL	White	Drive	227
409C	White	Drive	227	87CM	White	Drive	227
409CA	White	Drive	227	88C	White	Drive	227
410CA	White	Drive	227	88CF	White	Drive	227

A P P L I C A T I O N S
 TRAILER, TAG & PUSHER AXLES
 FRONT AXLES
 DRIVE AXLES
 PINION SEALS
 CONMET®
 LIGHT TRUCK

Axle numerical listing - (cont.)

Axle	Manufacturer	Section	Pg. no.	Axle	Manufacturer	Section	Pg. no.
88CG	White	Drive	227	D340	White	Drive	228
89C	White	Drive	227	D380	White	Drive	228
89CA	White	Drive	227	D400 (9/81 & later)	White	Drive	228
89CB	White	Drive	227	DP480P			
89CC	White	Drive	227	(9/81 & later)	White	Drive	228
89CD	White	Drive	227	DS440P			
89CF	White	Drive	227	(9/81 & later)	White	Drive	228
89CG	White	Drive	227	DS480P			
90C	White	Drive	227	(9/81 & later)	White	Drive	228
90CE	White	Drive	227	DT440P			
91C	White	Drive	227	(9/81 & later)	White	Drive	228
93C	White	Drive	227	R155	White	Drive	228
94C	White	Drive	227	SFDD4640	White	Drive	228
94CA	White	Drive	227	SLHD	White	Drive	228
95C	White	Drive	228	SQ100	White	Drive	228
96C	White	Drive	228	SQHD	White	Drive	228
96CA	White	Drive	228	SQHP	White	Drive	228
96CB	White	Drive	228	SRDD	White	Drive	228
96CD	White	Drive	228	SSHD	White	Drive	228
96CE	White	Drive	228	STDDA	White	Drive	228
96CF	White	Drive	228	STHD	White	Drive	228
96CG	White	Drive	228	SUDDB	White	Drive	228
96CH	White	Drive	228	SUHD	White	Drive	228
96CI	White	Drive	228	TS135	White	Drive	228
96CJ	White	Drive	228	TS135L	White	Drive	228
96CK	White	Drive	228	TS150	White	Drive	228
98C	White	Drive	228	U240	White	Drive	228
98CA	White	Drive	228	U340	White	Drive	228
99C	White	Drive	228				
99CA	White	Drive	228				
99CB	White	Drive	228				

AI-Ko Kober Axle Model Index

Model	Capacity	Line No.	Model	Capacity	Line No.	Model	Capacity	Line No.
10K	10000 lbs.	3	D-80	8000 lbs.	2	K-80P	8000 lbs.	1
12K	12000 lbs.	4	H-80	8000 lbs.	2	T-80	8000 lbs.	2
16K	16000 lbs.	5	K-80	8000 lbs.	1			

Mfr Line Number	Scotseal® PlusXL	Scotseal® Classic	Scotseal® Longlife	Inner (Cone/Cup)	Outer (Cone/Cup)	Grease Seal Location	Number
--------------------	---------------------	----------------------	-----------------------	---------------------	---------------------	-------------------------	--------

AI-Ko Kober

1				BR28580/ BR28521	BR25580/ BR25520		
2				BR28580/ BR28521			
3 General Duty - 99 Spindle Heavy Duty - 120 Spindle		31281		BR28580/ BR28521 JM511946/ JM511910	BR25580/ BR25520 JM205149/ JM205110		
4		31281		JM511946/ JM511910	JM205149/ JM205110		
5		31281		BR39590/ BR39520 ▲SET408	JM205149/ JM205110		

Allison Axle Model Index

Model	Line No.	Model	Line No.	Model	Line No.	Model	Line No.
AL10000	1	AL10011	1	AL7510	1	AL9001	1
AL10001	1	AL7500	1	AL7511	1	AL9011	1
AL10010	1	AL7501	1	AL9000	1		

Mfr Line Number	Scotseal® PlusXL	Scotseal® Classic	Scotseal® Longlife	Inner (Cone/Cup)	Outer (Cone/Cup)	Grease Seal Location	Number
--------------------	---------------------	----------------------	-----------------------	---------------------	---------------------	-------------------------	--------

Allison

1 Budd Whls.	40129	40136		BR663/ BR653 ▲SET405	HM212049/ HM212011 ▲SET413		
-----------------------------	-------	-------	--	----------------------------	----------------------------------	--	--

Alloy Trailer Inc. - See Axle Mfr.

American Trailer Co. - See Axle Mfr.

ArvinMeritor Axle Model Index

Model	Capacity	Line No.	Model	Capacity	Line No.	Model	Capacity	Line No.
BUS TAG		18	T11311		8	T17229	17000 lbs.	4
BUS TAG		19	T13	30000 lbs.	9	T17237	17000 lbs.	4
FV Series		1	T14	14000 lbs.	3	T18	18000 lbs.	4
JWVC	19000 lbs.	16	T14000	14000 lbs.	3	T18127	18000 lbs.	4
RL Series	22000 lbs.	1	T17	17000 lbs.	4	T20	20000 lbs.	10
RN Series	23000 lbs.	2	T17000	17000 lbs.	4	T2000	20000 lbs.	11
RQ Series	22500 lbs.	2	T17029	17000 lbs.	4	T-2067		20
RX180	23000 lbs.	14	T17127	17000 lbs.	4	T25	25000 lbs.	12
SLHR		13	T17129	17000 lbs.	4	THD Series	14000 lbs.	3
T-11301		21	T17227	17000 lbs.	4	TH Series	14000 lbs.	3

ArvinMeritor Axle Model Index (continued)

Model	Capacity	Line No.	Model	Capacity	Line No.	Model	Capacity	Line No.
TK4270	20000 lbs.	4	TN4270	22500 lbs.	17	TQD Series	17000 lbs.	2
TK4670	22500 lbs.	4	TN4560	22500 lbs.	17	TQ Series	22500 lbs.	2
TK6680	20000 lbs.	2	TN4570	22500 lbs.	17	TR	25000 lbs.	14
TKD Series	17000 lbs.	4	TN4610	22500 lbs.	17	TR4560	22500 lbs.	14
TKD Series	20000 lbs.	4	TN4680	22500 lbs.	17	TR4670	22500 lbs.	14
TKLD	20000 lbs.	16	TN6270	22500 lbs.	17	TR767	22500 lbs.	15
TKLD Series	16000 lbs.	1	TN6560	22500 lbs.	17	TR8670	25000 lbs.	14
TKLD Series	20000 lbs.	1	TN6570	22500 lbs.	17	TR8870	25000 lbs.	14
TKL Series	20000 lbs.	1	TN6610	22500 lbs.	17	TR9670	30000 lbs.	14
TKN6270	16000 lbs.	17	TN6670	22500 lbs.	17	TR9870	30000 lbs.	14
TKN6570	20000 lbs.	17	TN6680	22500 lbs.	17	TRD	17000 lbs.	14
TKN6610	20000 lbs.	17	TNC Series	17000 lbs.	2	TRD Series	22000 lbs.	1
TKN6670	20000 lbs.	17	TND Series		2	TRD Series	17000 lbs.	14
TKNC Series		2	TN Series	22500 lbs.	2	TR Series	22500 lbs.	6
TKND	20000 lbs.	4	TP4670	22500 lbs.	5	TT9670	30000 lbs.	14
TKN Series	22000 lbs.	2	TP4680	22500 lbs.	5	TT9870	30000 lbs.	14
TKP Series	18000 lbs.	4	TP6670	22500 lbs.	5	TT Series	30000 lbs.	6
TK Series	20000 lbs.	4	TP6680	22500 lbs.	2	TU Series	30000 lbs.	7
TLD Series	22000 lbs.	1	TP8670	25000 lbs.	5	TW Series		22
TL Series	22000 lbs.	1	TP Series	22500 lbs.	5	TWVC	19000 lbs.	16
TM20000		14	TQ4270	22500 lbs.	17			
TM22500		14	TQ4670	22500 lbs.	17			
TM Series		14	TQC		17			

Mfr Line Number	Scotseal® PlusXL	Scotseal® Classic	Scotseal® Longlife	Inner (Cone/Cup)	Outer (Cone/Cup)	Grease Seal Location	Number
--------------------	---------------------	----------------------	-----------------------	---------------------	---------------------	-------------------------	--------

ArvinMeritor

1							
w/o Budd Whls. & Gunite 81012 Anti-Skid Control Kit..	43754	43752		665-A/ BR653	HM212049/ HM212011 ▲SET413	Inner	43751
w/Budd Whls.				BR663/ BR653 ▲SET405	HM212049/ HM212011 ▲SET413		
w/Gunite 81012 Anti-Skid Control Kit	45093	45099		665-A/ BR653	HM212049/ HM212011 ▲SET413		
2							
.....	46300	46305	46308	HM218248/ HM218210 ▲SET414	HM212049/ HM212011 ▲SET413		
3							
.....		39380		495-AX/ BR493	BR3984/ BR3920	Inner	39385
4							
.14" Cone Front Face Radius.	40129	40136 or 40139 ⁵		BR663/ BR653 ▲SET405	HM212049/ HM212011 ▲SET413		
.27" Cone Front Face Radius.	40129	40136 or 40139 ⁵		663-A/ BR653	HM212049/ HM212011 ▲SET413		
5							
.....	42627	42623 or 42625 ⁵	42631	HM518445/ HM518410 ▲SET415	HM518445/ HM518410 ▲SET415		
6							
w/o Budd & Motor Wheel Whls. Exc. TR4670 Axle ...				594-A/ 592-A ▲SET403			

For in-text symbols, see page 6.

Mfr Line Number	Scotseal® PlusXL	Scotseal® Classic	Scotseal® Longlife	Inner (Cone/Cup)	Outer (Cone/Cup)	Grease Seal Location	Grease Seal Number
ArvinMeritor (continued)							
TR4670 Axle; Budd & Motor Wheel Whls.	47692	47697 or 47698 ⁵	47693	598-A/ 592-A ▲SET404	BR580/ BR572 ▲SET401		
7				BR52401/ BR52637	BR596/ 592-A		
8 3.672" Outer Cup O.D.		36285		HM212047/ HM212011 ▲SET412	BR3779/ BR3720		
4.125" Outer Cup O.D.		36285		HM212047/ HM212011 ▲SET412	BR45282/ BR45220		
9		35075		BR567/ BR563 ▲SET425	BR528/ BR522		
10		42624		BR749/ BR742	BR643/ BR632		
11	47692	47697 or 47698 ⁵	47693	598-A/ 592-A ▲SET404	BR575/ BR572		
12 5.250" Outer Cone O.D. ...				BR594/ 592-A			
5.750" Outer Cone O.D. ...				BR594/ 592-A	BR663/ BR653 ▲SET405		
13		38750		BR47686/ BR47620 ▲SET411	BR39590/ BR39520 ▲SET408		
14	47692	47697 or 47698 ⁵	47693	594-A/ 592-A ▲SET403	BR580/ BR572 ▲SET401	Inner	45150
15	47692	47697 or 47698 ⁵	47693	594-A/ 592-A ▲SET403	HM516449-C/ HM516410 ▲SET422		
16 4.000" Seal Shaft	40129	40136 or 40139 ⁵		665-A/ BR653	HM212049/ HM212011 ▲SET413		
4.375" Seal Shaft	43754	43752		665-A/ BR653	HM212049/ HM212011 ▲SET413		
17	46300	46305	46308	HM218248/ HM218210 ▲SET414	HM212049/ HM212011 ▲SET413		

APPLICATIONS

TRAILER, TAG & PUSHER AXLES

FRONT AXLES

DRIVE AXLES

PINION SEALS

CONMET®

LIGHT TRUCK

Mfr Line Number	Scotseal® PlusXL	Scotseal® Classic	Scotseal® Longlife	Inner (Cone/Cup)	Outer (Cone/Cup)	Grease Seal Location	Grease Seal Number
ArvinMeritor (continued)							
18		44964 or 45010			BR663/ BR653 ▲SET405		
19	40091	40086		BR6379/ BR6320	557-S/ 552-A		
20	45157	45160		598-A/ 592-A ▲SET404	BR580/ BR572 ▲SET401		
21	35058	35066	35103	HM212044/ HM212011	BR3782/ BR3720 ▲SET406		
22				BR576/ BR772	HM617049/ HM617010		

Black Diamond - See Axle Mfr.

Brown Trailer Inc. - See Clark

Budd Co. - See Axle Mfr.

Callahan Trailer Inc. - See Axle Mfr.

Challenge-Cook Bros. - See Axle Mfr.

Chevrolet - See GMC

Clark Equip. Axle Model Index

Model	Capacity	Line No.	Model	Capacity	Line No.	Model	Capacity	Line No.
18000 lbs.	18000 lbs.	1	ND18000		3	ND20000	20000 lbs.	2
20000 lbs.	20000 lbs.	1	ND20000	18000 lbs.	2	ND-7		1

Mfr Line Number	Scotseal® PlusXL	Scotseal® Classic	Scotseal® Longlife	Inner (Cone/Cup)	Outer (Cone/Cup)	Grease Seal Location	Grease Seal Number
Clark Equip.							
1	40129	40136 or 40139 ⁵		BR663/ BR653 ▲SET405	HM212049/ HM212011 ▲SET413		
2	40129	40136 or 40139 ⁵		BR672/ BR685	HM212049/ HM212011 ▲SET413		

Mfr Line Number	Scotseal® PlusXL	Scotseal® Classic	Scotseal® Longlife	Inner (Cone/Cup)	Outer (Cone/Cup)	Grease Seal Location	Grease Seal Number
--------------------	---------------------	----------------------	-----------------------	---------------------	---------------------	-------------------------	-----------------------

Clark Equip. (continued)

3	42673	42672		BR663/ BR652	BR685/ BR672		
---	-------	-------	--	-----------------	-----------------	--	--

Comet Trailer - See Axle Mfr.

Converto Trailer - See Axle Mfr.

Dakota Trailer Co. - See Axle Mfr.

Dana - See Spicer

Delphos Axle Model Index

Model	Line No.	Model	Line No.	Model	Line No.	Model	Line No.
DD	1	PD	2	PP	2		

Mfr Line Number	Scotseal® PlusXL	Scotseal® Classic	Scotseal® Longlife	Inner (Cone/Cup)	Outer (Cone/Cup)	Grease Seal Location	Grease Seal Number
--------------------	---------------------	----------------------	-----------------------	---------------------	---------------------	-------------------------	-----------------------

Delphos

1	46300	46305	46308	HM218248/ HM218210 ▲SET414	HM212049/ HM212011 ▲SET413		
2	42627	42623	42631	HM218248/ HM218210 ▲SET414	HM518445/ HM518410 ▲SET415		

Dexter Axle Model Index

Model	Capacity	Line No.	Model	Capacity	Line No.	Model	Capacity	Line No.
10000	10000 lbs.	1	20000	20000 lbs.	3	D250K	22500 lbs.	3
10D	10000 lbs.	5	20D	20000 lbs.	3	D2H12	27500 lbs.	3
10G	10000 lbs.	4	22500	22500 lbs.	3	D2H16	27500 lbs.	3
12000	12000 lbs.	2	225D	22500 lbs.	3	D2L12	22500 lbs.	3
12D	12000 lbs.	5	9G	9000 lbs.	4	D2L16	22500 lbs.	3
15000	15000 lbs.	2	D200K		3	D2M12	25000 lbs.	3
15D	15000 lbs.	6	D225K	22500 lbs.	3	D2M16	25000 lbs.	3

Mfr Line Number	Scotseal® PlusXL	Scotseal® Classic	Scotseal® Longlife	Inner (Cone/Cup)	Outer (Cone/Cup)	Grease Seal Location	Grease Seal Number
--------------------	---------------------	----------------------	-----------------------	---------------------	---------------------	-------------------------	-----------------------

Dexter

1				395-S/ 394-A	387-A/ 382-A		
2				BR3984/ BR3920	BR28682/ BR28622 ▲SET407		

Mfr Line Number	Scotseal® PlusXL	Scotseal® Classic	Scotseal® Longlife	Inner (Cone/Cup)	Outer (Cone/Cup)	Grease Seal Location	Grease Seal Number
--------------------	---------------------	----------------------	-----------------------	---------------------	---------------------	-------------------------	-----------------------

Dexter (continued)

3	46300	46305	46308	HM218248/ HM218210 ▲SET414	HM212049/ HM212011 ▲SET413		
4	28759	28758		387-A/ 382-A	BR25580/ BR25520		
5		31281		395-A/ 394-A	387-A/ 382-A		
6		31281		BR3984/ BR3920	BR28682/ BR28622 ▲SET407		

Dorsey Trailers Inc. - See Axle Mfr.

Dryson Axle Model Index

Model	Capacity	Line No.	Model	Capacity	Line No.	Model	Capacity	Line No.
22000 lbs.	22000 lbs.	1						

Mfr Line Number	Scotseal® PlusXL	Scotseal® Classic	Scotseal® Longlife	Inner (Cone/Cup)	Outer (Cone/Cup)	Grease Seal Location	Grease Seal Number
--------------------	---------------------	----------------------	-----------------------	---------------------	---------------------	-------------------------	-----------------------

Dryson

1	43761	43764		BR749/ BR742			
---	-------	-------	--	-----------------	--	--	--

Eaton Axle Model Index

Model	Capacity	Line No.	Model	Capacity	Line No.	Model	Capacity	Line No.
20L	20000 lbs.	1	D	20000 lbs.	3	LA15		18
20L77	20000 lbs.	1	DE	20000 lbs.	3	N	15000 lbs.	7
225D		12	DE	23000 lbs.	3	ND	15000 lbs.	7
225P		19	DH	20000 lbs.	3	R-909		20
22L	22000 lbs.	2	DH	25000 lbs.	3	T	25000 lbs.	6
22L	24000 lbs.	2	DH	22500 lbs.	15	T14	15000 lbs.	7
22R	22000 lbs.	2	DWL1	20000 lbs.	3	T144500	15000 lbs.	7
22R	22500 lbs.	2	E	23000 lbs.	4	T144519	15000 lbs.	7
23L	25000 lbs.	6	ED	22500 lbs.	4	T144545	15000 lbs.	7
23L501	23000 lbs.	9	EH	22500 lbs.	4	T144566	15000 lbs.	7
23R	23000 lbs.	6	ERA225J		6	T144575	15000 lbs.	7
24L	23000 lbs.	6	ETA225J		6	T144576	15000 lbs.	7
25LD	25000 lbs.	3	ETA230C		8	T14D	15000 lbs.	7
25LD501	25000 lbs.	3	H		5	T18	20000 lbs.	1
25R	25000 lbs.	9	H25LD		3	T18A	20000 lbs.	8
25RD		10	HC		1	T18B	20000 lbs.	1
34RT		11	HCE		4	T18C	20000 lbs.	1
A	20000 lbs.	1	HD		5	T18D266	20000 lbs.	1
B	20000 lbs.	1	HJ		6	T20L	20000 lbs.	1
C	20000 lbs.	1	HJE		6	T20L77	20000 lbs.	1
C07LA3		1	HR25		6	T21		5
C2		2	J	20000 lbs.	6	T-21D		5
CB	20000 lbs.	1	J501		9	T22L	22500 lbs.	2
CD	20000 lbs.	1	JE	23000 lbs.	6	T23L	23000 lbs.	6
CD2	20000 lbs.	2	JE	20000 lbs.	9	T24L	23000 lbs.	6
CE	20000 lbs.	1	JH	25000 lbs.	6	T25		17
CE	23000 lbs.	1	JH	20000 lbs.	9	T256000		17
CR	20000 lbs.	1	K	23000 lbs.	6	T9	18000 lbs.	13
CZ		4	KB19		2	T9AD	9000 lbs.	14

For in-text symbols, see page 6.

Eaton Axle Model Index (continued)

Model	Capacity	Line No.	Model	Capacity	Line No.	Model	Capacity	Line No.
W	30000 lbs.	16						

Mfr Line Number	Scotseal® PlusXL	Scotseal® Classic	Scotseal® Longlife	Inner (Cone/Cup)	Outer (Cone/Cup)	Grease Seal Location	Number
--------------------	---------------------	----------------------	-----------------------	---------------------	---------------------	-------------------------	--------

Eaton

1		40129	40136 or 40139 ⁵		BR663/ BR653 ▲SET405	HM212049/ HM212011 ▲SET413	
2	w/o Budd Whls. & Gunite 81012 Anti-Skid Control Kit..	43754	43752		665-A/ BR653	HM212049/ HM212011 ▲SET413	Inner 43751
	3.250" Inner Cone I.D.	43754	43752		BR663/ BR653 ▲SET405	HM212049/ HM212011 ▲SET413	
	w/Gunite 81012 Anti-Skid Control Kit	45093	45099		665-A/ BR653	HM212049/ HM212011 ▲SET413	
3		47692	47697 or 47698 ⁵	47693	594-A/ 592-A ▲SET403	BR580/ BR572 ▲SET401	
4	Budd Whls.	40129	40136		BR663/ BR653 ▲SET405	HM212049/ HM212011 ▲SET413	
	w/o Gunite 81012 Anti-Skid Control Kit	43754	43752		BR663/ BR653 ▲SET405	HM212049/ HM212011 ▲SET413	Inner 43751
	w/Gunite 81012 Anti-Skid Control Kit	45093	45099		BR663/ BR653 ▲SET405	HM212049/ HM212011 ▲SET413	
5			42624		BR749/ BR742	BR643/ BR632	
6		46300	46305	46308	HM218248/ HM218210 ▲SET414	HM212049/ HM212011 ▲SET413	
7			35075		BR567/ BR563 ▲SET425	BR528/ BR522	
8	3.250" Inner Cone I.D.	40129	40136 or 40139 ⁵		BR663/ BR653 ▲SET405	HM212049/ HM212011 ▲SET413	
	3.375" Inner Cone I.D.	40129	40136		665-A/ BR653	HM212049/ HM212011 ▲SET413	

APPLICATIONS

TRAILER, TAG & PUSHER AXLES

FRONT AXLES

DRIVE AXLES

PINION SEALS

CONMET®

LIGHT TRUCK

Mfr Line Number	Scotseal® PlusXL	Scotseal® Classic	Scotseal® Longlife	Inner (Cone/Cup)	Outer (Cone/Cup)	Grease Seal Location	Number
Eaton (continued)							
9	46300	46305	46308	HM218248/ HM218210 ▲SET414	HM212049/ HM212011 ▲SET413		
10	47692	47697 or 47698 ⁵	47693	598-A/ 592-A ▲SET404	BR575/ BR572		
11		38750		BR47686/ BR47620 ▲SET411	BR39590/ BR39520 ▲SET408		
12				BR580/ BR572 ▲SET401	598-A/ 592-A ▲SET404		
13	35058	35066 or 35072 ⁵	35103	HM212044/ HM212011	BR3782/ BR3720 ▲SET406		
14	45157	45160		557-A/ 553-X	BR3782/ BR3720 ▲SET406		
15	43754	43752		665-A/ BR653	HM212049/ HM212011 ▲SET413		
16		48884		BR760/ BR752	BR749/ BR742		
17		48884		BR760/ BR752	BR749/ BR742		
18	42627	42623	42631	HM518445/ HM518410 ▲SET415	HM518445/ HM518410 ▲SET415		
19					HM212049/ HM212011 ▲SET413		
20				BR593/ 592-A			

Erie - See Axle Mfr.

Fontaine Truck - See Axle Mfr.

Ford Axle Model Index

Model	Capacity	Line No.	Model	Capacity	Line No.	Model	Capacity	Line No.
18000	18000 lbs.	1						

Mfr Line Number	Scotseal® PlusXL	Scotseal® Classic	Scotseal® Longlife	Inner (Cone/Cup)	Outer (Cone/Cup)	Grease Seal Location	Grease Seal Number
-----------------	------------------	-------------------	--------------------	------------------	------------------	----------------------	--------------------

Ford

1							
.....	40129	40136		BR663/ BR653 ▲SET405	HM212049/ HM212011 ▲SET413		

Fruehauf/Pro-Par Axle Model Index

Model	Capacity	Line No.	Model	Capacity	Line No.	Model	Capacity	Line No.
No. 10	25000 lbs.	3	No. 5 Before 1960	20000 lbs.	3			
No. 5		1	Pro-Par		2			

Mfr Line Number	Scotseal® PlusXL	Scotseal® Classic	Scotseal® Longlife	Inner (Cone/Cup)	Outer (Cone/Cup)	Grease Seal Location	Grease Seal Number
-----------------	------------------	-------------------	--------------------	------------------	------------------	----------------------	--------------------

Fruehauf/Pro-Par

1							
From 2/1960	42627	42623 or 42625 ⁵	42631	BR593/ 592-A	HH506348/ HH506310		
Thru 1/1960		46390 w/450208		BR593/ 592-A	HH506348/ HH506310		
2							
.....	42627	42623 or 42625 ⁵	42631	HM518445/ HM518410 ▲SET415	HM518445/ HM518410 ▲SET415		
3							
.....		46390		BR593/ 592-A			

GMC Axle Model Index

Model	Capacity	Line No.	Model	Capacity	Line No.	Model	Capacity	Line No.
RS23180	23000 lbs.	1	T-11311		3			
RX180	23000 lbs.	1	TK560	20000 lbs.	2			

Mfr Line Number	Scotseal® PlusXL	Scotseal® Classic	Scotseal® Longlife	Inner (Cone/Cup)	Outer (Cone/Cup)	Grease Seal Location	Grease Seal Number
-----------------	------------------	-------------------	--------------------	------------------	------------------	----------------------	--------------------

GMC

1							
.....	47692	47697 or 47698 ⁵	47693	594-A/ 592-A ▲SET403	BR580/ BR572 ▲SET401		
2							
.....	40129	40136 or 40139 ⁵		BR663/ BR653 ▲SET405	HM212049/ HM212011 ▲SET413		
3							
.....		36358 or 36365		HM212047/ HM212011 ▲SET412	BR45282/ BR45220		

Great Dane - See Axle Mfr.

Hadco Axle Model Index

Model	Capacity	Line No.	Model	Capacity	Line No.	Model	Capacity	Line No.
120 Series	12000 lbs.	1	70 Series	7000 lbs.	3	85 Series	8500 lbs.	3
385 Series	9000 lbs.	4	7M Series	7000 lbs.	2			

Mfr Line Number	Scotseal® PlusXL	Scotseal® Classic	Scotseal® Longlife	Inner (Cone/Cup)	Outer (Cone/Cup)	Grease Seal Location	Number
--------------------	---------------------	----------------------	-----------------------	---------------------	---------------------	-------------------------	--------

Hadco

1				JLM710949/ JLM710910	BR25590/ BR25520	Inner	28848
2				BR3578/ BR3525	BR15123/ BR15245		
3				JLM104948/ JLM104910 ▲JLM104948/ 910	BR15123/ BR15245	Inner	23742
4					BR15123/ BR15245		

HammerBlow Axle Model Index

Model	Capacity	Line No.	Model	Capacity	Line No.	Model	Capacity	Line No.
12000 lbs.	12000 lbs.	1						

Mfr Line Number	Scotseal® PlusXL	Scotseal® Classic	Scotseal® Longlife	Inner (Cone/Cup)	Outer (Cone/Cup)	Grease Seal Location	Number
--------------------	---------------------	----------------------	-----------------------	---------------------	---------------------	-------------------------	--------

HammerBlow

1		31307		BR3984/ BR3920			
---	--	-------	--	-------------------	--	--	--

Hayes Axle Model Index

Model	Capacity	Line No.	Model	Capacity	Line No.	Model	Capacity	Line No.
10K	1000 lbs.	4	90249	10000 lbs.	1	K-80	8000 lbs.	2
12K	12000 lbs.	1	D-80	8000 lbs.	3	K-80P	8000 lbs.	2
16K	16000 lbs.	5	H-80	8000 lbs.	3	T-80	8000 lbs.	3

Mfr Line Number	Scotseal® PlusXL	Scotseal® Classic	Scotseal® Longlife	Inner (Cone/Cup)	Outer (Cone/Cup)	Grease Seal Location	Number
--------------------	---------------------	----------------------	-----------------------	---------------------	---------------------	-------------------------	--------

Hayes

1		31281		JM511946/ JM511910	JM205149/ JM205110		
2				BR28580/ BR28521	BR25580/ BR25520		
3				BR28580/ BR28521			

For in-text symbols, see page 6.

Mfr Line Number	Scotseal® PlusXL	Scotseal® Classic	Scotseal® Longlife	Inner (Cone/Cup)	Outer (Cone/Cup)	Location	Grease Seal Number
-----------------	------------------	-------------------	--------------------	------------------	------------------	----------	--------------------

Hayes (continued)

4							
General Duty - 99 Spindle				BR28580/ BR28521	BR25580/ BR25520		
Heavy Duty - 120 Spindle		31281		JM511946/ JM511910	JM205149/ JM205110		
5							
.....		31281		BR39590/ BR39520 ▲SET408	JM205149/ JM205110		

Heil Co. - See Axle Mfr.

Hendrickson Axle Model Index

Model	Capacity	Line No.	Model	Capacity	Line No.	Model	Capacity	Line No.
AAEDL	30000 lbs.	1	AANLS	20000 lbs.	1	AAZL	46000 lbs.	1
AAEDT	30000 lbs.	1	AAT	23000 lbs.	1	AAZNT	23000 lbs.	1
AAL	23000 lbs.	1	AAT	25000 lbs.	1	AAZNT	46000 lbs.	1
AAL	25000 lbs.	1	AAT	30000 lbs.	1			
AAL	30000 lbs.	1	AAZL	23000 lbs.	1			

Mfr Line Number	Scotseal® PlusXL	Scotseal® Classic	Scotseal® Longlife	Inner (Cone/Cup)	Outer (Cone/Cup)	Location	Grease Seal Number
-----------------	------------------	-------------------	--------------------	------------------	------------------	----------	--------------------

Hendrickson

1							
HP Spindle	42627	42623	42631	HM518445/ HM518410 ▲SET415	HM518445/ HM518410 ▲SET415		
HN Spindle	46300	46305	46308	HM218248/ HM218210 ▲SET414	HM212049/ HM212011 ▲SET413		

Hobbs Trailer - See Axle Mfr.

IHC - See Navistar

Ingersoll Axle Model Index

Model	Capacity	Line No.	Model	Capacity	Line No.	Model	Capacity	Line No.
A15S		7	A26S		5	F22	22000 lbs.	12
A19		6	A45S		8	F22H	22000 lbs.	12
A19H		3	A65S		9	F22S	22000 lbs.	12
A19S		3	DC19	19000 lbs.	11	F22T	22000 lbs.	12
A21S		5	DC22	22000 lbs.	12	F23	23000 lbs.	13
A22		1	DC23	23000 lbs.	13	F23H	23000 lbs.	13
A22H		1	DC24	24000 lbs.	14	F23S	23000 lbs.	13
A22S		1	F12	12000 lbs.	10	F24	24000 lbs.	14
A24		2	F19	19000 lbs.	11	F24H	24000 lbs.	14
A24P		4	F19H	19000 lbs.	11	F24S	24000 lbs.	14
A26		5	F19S	19000 lbs.	11	F24T	24000 lbs.	14

Mfr Line Number	Scotseal® PlusXL	Scotseal® Classic	Scotseal® Longlife	Inner (Cone/Cup)	Outer (Cone/Cup)	Location	Grease Seal Number
Ingersoll							
1 Budd & Motor Wheel Whls...	46300	46305	46308	HM218248/ HM218210 ▲SET414	HM212049/ HM212011 ▲SET413		
2 Budd & Motor Wheel Whls...	42627	42623	42631	HM518445/ HM518410 ▲SET415	HM518445/ HM518410 ▲SET415		
3 Budd Whls.	40129	40136		BR663/ BR653 ▲SET405	HM212049/ HM212011 ▲SET413		
4 Budd Whls.		42624		BR749/ BR742	BR643/ BR632		
5 Budd Whls.		45162		BR759/ BR752	BR740/ BR742		
6 Motor Wheel Whls. w/3.250" Inner Cone I.D.	40129	40136		BR663/ BR653 ▲SET405	HM212049/ HM212011 ▲SET413		
3.375" Inner Cone I.D.				665-A/ BR653	HM212049/ HM212011 ▲SET413		
7				BR657/ BR563	BR528/ BR522		
8				BR787/ BR772	BR6580/ BR6535		
9					BR6580/ BR6535		
10	35058	35066	35103	HM212049/ HM212011 ▲SET413	BR3782/ BR3720 ▲SET406	Inner	35062
11	40129	40136		BR663/ BR653 ▲SET405	HM212049/ HM212011 ▲SET413		
12	46300	46305	46308	HM218248/ HM218210 ▲SET414	HM212049/ HM212011 ▲SET413		
13	46300	46305	46308	HM218248/ HM218210 ▲SET414			
14	42627	42623	42631	HM518445/ HM518410 ▲SET415	HM518445/ HM518410 ▲SET415		

For in-text symbols, see page 6.

KGI Limited Axle Model Index

Model	Line No.	Model	Line No.	Model	Line No.	Model	Line No.
K250	1	KG225	2				

Mfr Line Number	Scotseal® PlusXL	Scotseal® Classic	Scotseal® Longlife	Inner (Cone/Cup)	Outer (Cone/Cup)	Grease Seal Location	Number
--------------------	---------------------	----------------------	-----------------------	---------------------	---------------------	-------------------------	--------

KGI Limited

①		42624		BR749/ BR742	BR643/ BR632		
②	40129	40136		BR663/ BR653 ▲SET405	HM212049/ HM212011 ▲SET413		

Kay-Brunner Axle Model Index

Model	Capacity	Line No.	Model	Capacity	Line No.	Model	Capacity	Line No.
10000 lbs.	10000 lbs.	7	KB8		2	T145	14500 lbs.	2
KB19		2	KBS		1	T18W	18000 lbs.	2
KB4		2	KBW		1	T21	21000 lbs.	5
KB5		2	S37	37000 lbs.	3	T27	27000 lbs.	6
KB6		2	T11	11000 lbs.	4	T37	40000 lbs.	3
KB7		2	T-11		8	XHT21	21000 lbs.	5

Mfr Line Number	Scotseal® PlusXL	Scotseal® Classic	Scotseal® Longlife	Inner (Cone/Cup)	Outer (Cone/Cup)	Grease Seal Location	Number
--------------------	---------------------	----------------------	-----------------------	---------------------	---------------------	-------------------------	--------

Kay-Brunner

①	46300	46305	46308	HM218248/ HM218210 ▲SET414	HM212049/ HM212011 ▲SET413		
②	40129	40136		BR663/ BR653 ▲SET405	HM212049/ HM212011 ▲SET413		
③					BR740/ BR742		
④				BR560/ 552-A			
⑤				BR749/ BR742	HM212049/ HM212011 ▲SET413		
⑥		45162		BR759/ BR752	BR740/ BR742		
⑦				JM511946/ JM511910	JM205149/ JM205110		
⑧				BR419/ BR414			

APPLICATIONS

TRAILER, TAG & PUSH AXLES

FRONT AXLES

DRIVE AXLES

PINION SEALS

CONMET®

LIGHT TRUCK

Kelsey Hayes Co. Axle Model Index

Model	Capacity	Line No.	Model	Capacity	Line No.	Model	Capacity	Line No.
10000 lbs.	10000 lbs.	1						

Mfr Line Number	Scotseal® PlusXL	Scotseal® Classic	Scotseal® Longlife	Inner (Cone/Cup)	Outer (Cone/Cup)	Grease Seal Location	Grease Seal Number
-----------------	------------------	-------------------	--------------------	------------------	------------------	----------------------	--------------------

Kelsey Hayes Co.

①		31281		JM511946/ JM511910	JM205149/ JM205110		
---	--	-------	--	-----------------------	-----------------------	--	--

Kentucky Mfg. - See Axle Mfr.

Kenworth Axle Model Index

Model	Line No.	Model	Line No.	Model	Line No.	Model	Line No.
8QHD(SOHD)	1						

Mfr Line Number	Scotseal® PlusXL	Scotseal® Classic	Scotseal® Longlife	Inner (Cone/Cup)	Outer (Cone/Cup)	Grease Seal Location	Grease Seal Number
-----------------	------------------	-------------------	--------------------	------------------	------------------	----------------------	--------------------

Kenworth

①	47692	47697	47693	598-A/ 592-A ▲SET404			
---	-------	-------	-------	----------------------------	--	--	--

Kershaw Axle Model Index

Model	Capacity	Line No.	Model	Capacity	Line No.	Model	Capacity	Line No.
K14	14000 lbs.	1	K22	22000 lbs.	3	K45	45000 lbs.	6
K20	20000 lbs.	2	K25	25000 lbs.	4	K65	65000 lbs.	7
K21	21000 lbs.	2	K30	30000 lbs.	5			

Mfr Line Number	Scotseal® PlusXL	Scotseal® Classic	Scotseal® Longlife	Inner (Cone/Cup)	Outer (Cone/Cup)	Grease Seal Location	Grease Seal Number
-----------------	------------------	-------------------	--------------------	------------------	------------------	----------------------	--------------------

Kershaw

①		35075		BR567/ BR563 ▲SET425	BR528/ BR522		
②	40129	40136 or 40139 ⁵		BR663/ BR653 ▲SET405 665-A/ BR653	HM212049/ HM212011 ▲SET413 HM212049/ HM212011 ▲SET413		
③	46300	46305	46308	HM218248/ HM218210 ▲SET414	HM212049/ HM212011 ▲SET413		
④		42624		BR749/ BR742	BR643/ BR632		
⑤		45162		BR759/ BR752	BR740/ BR742		

For in-text symbols, see page 6.

Mfr Line Number	Scotseal® PlusXL	Scotseal® Classic	Scotseal® Longlife	Inner (Cone/Cup)	Outer (Cone/Cup)	Location	Grease Seal Number
--------------------	---------------------	----------------------	-----------------------	---------------------	---------------------	----------	-----------------------

Kershaw (continued)

6				BR780/ BR772	BR6580/ BR6535		
7					BR6580/ BR6535		

La Crosse Axle Model Index

Model	Line No.	Model	Line No.	Model	Line No.	Model	Line No.
SD5105	1	SD5105	2				

Mfr Line Number	Scotseal® PlusXL	Scotseal® Classic	Scotseal® Longlife	Inner (Cone/Cup)	Outer (Cone/Cup)	Location	Grease Seal Number
--------------------	---------------------	----------------------	-----------------------	---------------------	---------------------	----------	-----------------------

La Crosse

1				BR663/ BR653 ▲SET405			
2				749-A/ BR742			

Lufkin Trailer - See Axle Mfr.

Mack Axle Model Index

Model	Capacity	Line No.	Model	Capacity	Line No.	Model	Capacity	Line No.
SWDR-48	27000 lbs.	1	SWDR-49	27000 lbs.	1			

Mfr Line Number	Scotseal® PlusXL	Scotseal® Classic	Scotseal® Longlife	Inner (Cone/Cup)	Outer (Cone/Cup)	Location	Grease Seal Number
--------------------	---------------------	----------------------	-----------------------	---------------------	---------------------	----------	-----------------------

Mack

1				BR598/ 592-A	BR665/ BR653	Inner	43820
	5.750" Outer Cup O.D.	43865		BR598/ 592-A		Inner	43820
	6.375" Outer Cup O.D.	43865					

Matlock Trailer - See Axle Mfr.

Miller Trailer - See Axle Mfr.

Monon - See Axle Mfr.

Moss Gear Axle Model Index

Model	Line No.	Model	Line No.	Model	Line No.	Model	Line No.
5B715M	1	TM20000	1	TM22500	1		

Mfr Line Number	Scotseal® PlusXL	Scotseal® Classic	Scotseal® Longlife	Inner (Cone/Cup)	Outer (Cone/Cup)	Grease Seal Location	Grease Seal Number
-----------------	------------------	-------------------	--------------------	------------------	------------------	----------------------	--------------------

Moss Gear

①	46300	46305	46308	HM218248/ HM218210 ▲SET414	HM212049/ HM212011 ▲SET413		
---	-------	-------	-------	----------------------------------	----------------------------------	--	--

Motor Wheel - See Axle Mfr.

Nabors Trailer Axle Model Index

Model	Line No.	Model	Line No.	Model	Line No.	Model	Line No.
NU	1						

Mfr Line Number	Scotseal® PlusXL	Scotseal® Classic	Scotseal® Longlife	Inner (Cone/Cup)	Outer (Cone/Cup)	Grease Seal Location	Grease Seal Number
-----------------	------------------	-------------------	--------------------	------------------	------------------	----------------------	--------------------

Nabors Trailer

①	40129	40136 or 40139 ⁵		BR663/ BR653 ▲SET405	HM212049/ HM212011 ▲SET413		
---	-------	-----------------------------	--	----------------------------	----------------------------------	--	--

Navistar Axle Model Index

Model	Capacity	Line No.	Model	Capacity	Line No.	Model	Capacity	Line No.
RA400	18000 lbs.	1	RA422	18000 lbs.	3	RA437	34000 lbs.	4
RA410	20000 lbs.	2	RA423	18000 lbs.	1	RA438	9000 lbs.	7
RA411	20000 lbs.	2	RA424		5	RA439	9000 lbs.	7
RA417	18000 lbs.	3	RA426		8	RA441	20000 lbs.	3
RA418	18000 lbs.	4	RA429	34000 lbs.	6	RA560	18000 lbs.	3
RA420	18000 lbs.	3	RA431	34000 lbs.	6	RA570	18000 lbs.	3
RA421	18000 lbs.	3	RA432	34000 lbs.	6	RA571	18000 lbs.	3

Mfr Line Number	Scotseal® PlusXL	Scotseal® Classic	Scotseal® Longlife	Inner (Cone/Cup)	Outer (Cone/Cup)	Grease Seal Location	Grease Seal Number
-----------------	------------------	-------------------	--------------------	------------------	------------------	----------------------	--------------------

Navistar

①	45157	45160		BR594/ 592-A	BR580/ BR572 ▲SET401	Outer 29887 Inner - 4.500"	
②		35075		BR567/ BR563 ▲SET425	BR528/ BR522	Shaft 45150 Inner - 2.906"	
③	40129	40136 or 40139 ⁵		BR663/ BR653 ▲SET405	HM212049/ HM212011 ▲SET413	Shaft (Felt) 633	
④	45157	45160		594-A/ 592-A ▲SET403	BR580/ BR572 ▲SET401	Inner - (Felt) 633	
⑤	w/o Gunite 81012 Anti-Skid Control Kit	43752		BR663/ BR653 ▲SET405	HM212049/ HM212011 ▲SET413	Outer 29887 Inner 45150	

For in-text symbols, see page 6.

Mfr Line Number	Scotseal® PlusXL	Scotseal® Classic	Scotseal® Longlife	Inner (Cone/Cup)	Outer (Cone/Cup)	Grease Seal Location	Grease Seal Number
Navistar (continued)							
w/Gunite 81012 Anti-Skid Control Kit	45093	45099		BR663/ BR653 ▲SET405	HM212049/ HM212011 ▲SET413		
6 4.500" Shaft	45157	45160		598-A/ 592-A ▲SET404	BR580/ BR572 ▲SET401	Outer	29887
4.766" Shaft	47692	47697 or 47698 ⁵	47693	598-A/ 592-A ▲SET404	BR580/ BR572 ▲SET401	Inner	45150
7	35058	35066 or 35072 ⁵	35103	557-A/ 553-X	BR3782/ BR3720 ▲SET406	Outer Seal Kit	31378
8	46300	46305	46308	HM218248/ HM218210 ▲SET414	HM212049/ HM212011 ▲SET413	Inner	35062

Ohio Body Mfg. - See Axle Mfr.

Palmer Axle Model Index

Model	Capacity	Line No.	Model	Capacity	Line No.	Model	Capacity	Line No.
T18	18000 lbs.	1						

Mfr Line Number	Scotseal® PlusXL	Scotseal® Classic	Scotseal® Longlife	Inner (Cone/Cup)	Outer (Cone/Cup)	Grease Seal Location	Grease Seal Number
Palmer							
1	40129	40136 or 40139 ⁵		BR663/ BR653 ▲SET405	BR560/ 553-X		

Pines Trailer - See Axle Mfr.

Polar American - See Axle Mfr.

Prior Axle Model Index

Model	Capacity	Line No.	Model	Capacity	Line No.	Model	Capacity	Line No.
10000 lbs.	10000 lbs.	1						

Mfr Line Number	Scotseal® PlusXL	Scotseal® Classic	Scotseal® Longlife	Inner (Cone/Cup)	Outer (Cone/Cup)	Grease Seal Location	Grease Seal Number
Prior							
1				JM511946/ JM511910	JM205149/ JM205110		

APPLICATIONS

TRAILER, TAG & PUSH AXLES

FRONT AXLES

DRIVE AXLES

PINION SEALS

CONMET®

LIGHT TRUCK

R.O.R. Axle Model Index

Model	Line No.	Model	Line No.	Model	Line No.	Model	Line No.
H1600	1	TL20000	3	UT2010P	3		
TKL Series	3	TM22000	2	UT2010Q	3		
TK Series	4	U20000	3	UT2070	3		

Mfr Line Number	Scotseal® PlusXL	Scotseal® Classic	Scotseal® Longlife	Inner (Cone/Cup)	Outer (Cone/Cup)	Grease Seal Location	Number
--------------------	---------------------	----------------------	-----------------------	---------------------	---------------------	-------------------------	--------

R.O.R.

1		39380		495-AX/ BR493	BR3984/ BR3920		
2	46300	46305	46308	HM218248/ HM218210 ▲SET414	HM212049/ HM212011 ▲SET413		
3 w/o Gunite 81012 Anti-Skid Control Kit	43754	43752		665-A/ BR653	HM212049/ HM212011 ▲SET413		
w/Gunite 81012 Anti-Skid Control Kit	45093	45099		665-A/ BR653	HM212049/ HM212011 ▲SET413		
4	40129	40136 or 40139 ⁵		BR663/ BR653 ▲SET405	HM212049/ HM212011 ▲SET413		

Ravens Metal Products - See Axle Mfr.

Reliance Trailer Mfr. - See Axle Mfr.

Rockwell - See ArvinMeritor

Rogers Bros. Corp. - See Axle Mfr.

Sauer Axle Model Index

Model	Line No.	Model	Line No.	Model	Line No.	Model	Line No.
RHLS	2	RLZ10041	1	RZ10041	1	RZ14242	1

Mfr Line Number	Scotseal® PlusXL	Scotseal® Classic	Scotseal® Longlife	Inner (Cone/Cup)	Outer (Cone/Cup)	Grease Seal Location	Number
--------------------	---------------------	----------------------	-----------------------	---------------------	---------------------	-------------------------	--------

Sauer

1 Budd Whls. w/o 15" 3 Spoke Whl. & 20" Spoke Whl.	40129	40136		BR663/ BR653 ▲SET405	HM212049/ HM212011 ▲SET413		
Budd Whls. w/o 15" 2 Spoke Whl. & 20" 6 Spoke Whl. ..		42624		BR749/ BR742	BR643/ BR632		

Mfr Line Number	Scotseal® PlusXL	Scotseal® Classic	Scotseal® Longlife	Inner (Cone/Cup)	Outer (Cone/Cup)	Grease Seal Location	Grease Seal Number
-----------------	------------------	-------------------	--------------------	------------------	------------------	----------------------	--------------------

Sauer (continued)

2 Budd & Motor Wheel Whls...	42627	42623	42631	HM518445/ HM518410 ▲SET415	HM518445/ HM518410 ▲SET415		
--	-------	-------	-------	----------------------------------	----------------------------------	--	--

Sauer (Otto) Axle Model Index

Model	Capacity	Line No.	Model	Capacity	Line No.	Model	Capacity	Line No.
16000 lbs.	16000 lbs.	1	22000 lbs.	22000 lbs.	2			
20000 lbs.	20000 lbs.	2	23000 lbs.	23000 lbs.	3			

Mfr Line Number	Scotseal® PlusXL	Scotseal® Classic	Scotseal® Longlife	Inner (Cone/Cup)	Outer (Cone/Cup)	Grease Seal Location	Grease Seal Number
-----------------	------------------	-------------------	--------------------	------------------	------------------	----------------------	--------------------

Sauer (Otto)

1 3.938" Shaft	46300	39380	46308	HM218248/ HM218210 ▲SET414	HM212049/ HM212011 ▲SET413		
4.625" Shaft		46305					
2	46300	46305	46308	HM218248/ HM218210 ▲SET414	HM212049/ HM212011 ▲SET413		
3 w/o Gunitite 81012 Anti-Skid Control Kit	43754	43752		JM718149/ JM718110	HM212049/ HM212011 ▲SET413		

Schuler Mfg. & Equip. - See Eaton

Spencer Axle Model Index

Model	Line No.	Model	Line No.	Model	Line No.	Model	Line No.
209	1	408	2	509	1		
309	1	409	1				

Mfr Line Number	Scotseal® PlusXL	Scotseal® Classic	Scotseal® Longlife	Inner (Cone/Cup)	Outer (Cone/Cup)	Grease Seal Location	Grease Seal Number
-----------------	------------------	-------------------	--------------------	------------------	------------------	----------------------	--------------------

Spencer

1		42624		749-S or BR749/ BR742	BR643/ BR632		
2	40129	40136		BR663/ BR653 ▲SET405	HM212049/ HM212011 ▲SET413		

Spicer Axle Model Index

Model	Capacity	Line No.	Model	Capacity	Line No.	Model	Capacity	Line No.
20L	20000 lbs.	10	23L501	23000 lbs.	3	25RD	25000 lbs.	19
20L-77	20000 lbs.	10	23R	23000 lbs.	3	A	20000 lbs.	10
21D	21000 lbs.	12	24L	23000 lbs.	3	A45	45000 lbs.	20
22L	22000 lbs.	11	25LD	25000 lbs.	12	A65	65000 lbs.	9
22R	22000 lbs.	11	25LD-501	25000 lbs.	12	B	20000 lbs.	10
23L	23000 lbs.	3	25R	25000 lbs.	3	C	20000 lbs.	10

Spicer Axle Model Index (continued)

Model	Capacity	Line No.	Model	Capacity	Line No.	Model	Capacity	Line No.
C-07LA3		10	H25LD	25000 lbs.	12	T14-4575	15000 lbs.	1
C2	20000 lbs.	11	H25R	25000 lbs.	3	T14-4576	15000 lbs.	1
C2D	20000 lbs.	11	HD		13	T14D	15000 lbs.	1
CB	20000 lbs.	10	J	20000 lbs.	3	T18	20000 lbs.	10
CD	20000 lbs.	10	J501		3	T18A	20000 lbs.	10
CE	20000 lbs.	10	JE	20000 lbs.	3	T18B	20000 lbs.	10
D	20000 lbs.	12	JH	20000 lbs.	3	T18C	20000 lbs.	10
D10	12000 lbs.	18	K14	14000 lbs.	1	T18D-226	20000 lbs.	10
D14	15000 lbs.	1	K20	20000 lbs.	2	T20L	20000 lbs.	10
D21		4	K21	21000 lbs.	2	T20L-77	20000 lbs.	10
D22		3	K22	22000 lbs.	3	T21	21000 lbs.	5
DD21		3	K24		4	T21D	21000 lbs.	5
DD22		2	K25	25000 lbs.	5	T22L	22000 lbs.	11
DE	20000 lbs.	12	K25		7	T23L	23000 lbs.	3
DH	20000 lbs.	12	K30	30000 lbs.	6	T24L	23000 lbs.	3
DWL1	20000 lbs.	12	K45		8	T25	25000 lbs.	14
E	23000 lbs.	11	K65		9	T25-6000	25000 lbs.	14
ED	22500 lbs.	11	KTT21		2	T9	18000 lbs.	16
EH	22500 lbs.	11	LA15	15000 lbs.	10	T9AD	9000 lbs.	17
ESR225J	22500 lbs.	3	N	15000 lbs.	1	W	30000 lbs.	14
ESR225P	22500 lbs.	21	ND	15000 lbs.	1	X1A		15
ESR230J	23000 lbs.	3	P		4			
ESR230P	23000 lbs.	21	P22		4			
EST225J	22500 lbs.	3	R900		22			
EST225P	22500 lbs.	21	T	25000 lbs.	3			
EST230J	23000 lbs.	3	T11A	11000 lbs.	15			
EST230P	23000 lbs.	21	T14	15000 lbs.	1			
ETA225D	22500 lbs.	12	T14-4500	15000 lbs.	1			
ETA225J	22500 lbs.	10	T14-4516	15000 lbs.	1			
ETA230C	23000 lbs.	3	T14-4545	15000 lbs.	1			
H		13	T14-4566	15000 lbs.	1			

Mfr Line Number	Scotseal® PlusXL	Scotseal® Classic	Scotseal® Longlife	Inner (Cone/Cup)	Outer (Cone/Cup)	Grease Seal Location	Number
-----------------	------------------	-------------------	--------------------	------------------	------------------	----------------------	--------

Spicer

1		35075		BR567/ BR563 ▲SET425	BR528/ BR522		
2	3.250" Inner Cone I.D.	40129	40136 or 40139 ⁵	BR663/ BR653 ▲SET405	HM212049/ HM212011 ▲SET413		
	3.375" Inner Cone I.D.	40129	40136 or 40139 ⁵	665-A/ BR653	HM212049/ HM212011 ▲SET413		
3		46300	46305	46308	HM218248/ HM218210 ▲SET414	HM212049/ HM212011 ▲SET413	
4		42627	42623	42631	HM518445/ HM518410 ▲SET415	HM518445/ HM518410 ▲SET415	
5			42624		BR749/ BR742	BR643/ BR632	
6			45162		BR759/ BR752	BR740/ BR742	
7						BR643/ BR633	

For in-text symbols, see page 6.

Mfr Line Number	Scotseal® PlusXL	Scotseal® Classic	Scotseal® Longlife	Inner (Cone/Cup)	Outer (Cone/Cup)	Grease Seal Location	Grease Seal Number
Spicer (continued)							
8				BR780/ BR772	BR6580/ BR6535		
9					BR6580/ BR6535		
10	40129	40136		BR663/ BR653 ▲SET405	HM212049/ HM212011 ▲SET413		
11	43754	43752		665-A/ BR653	HM212049/ HM212011 ▲SET413		
12	47692	47697	47693	594-A/ 592-A ▲SET403	BR580/ BR572 ▲SET401		
13		42624		BR749/ BR742	BR643/ BR632		
14		48884		BR760/ BR752	BR749/ BR742		
15				BR641/ BR633	BR527/ BR522		
16	35058	35066	35103	HM212044/ HM212011	BR3782/ BR3720 ▲SET406		
17	45157	45160		557-A/ 552-A	BR3782/ BR3720 ▲SET406		
18		28820		BR28995/ BR28920	BR25580/ BR25523		
19	47692	47697	47693	598-A/ 592-A ▲SET404	BR575/ BR572		
20				BR787/ BR772	BR6580/ BR6535		
21	42627	42623	42631	HM518445/ HM518410 ▲SET415	HM518445/ HM518410 ▲SET415		
22		46390		BR593/ 592-A			

APPLICATIONS

TRAILER, TAG & PUSHER AXLES

FRONT AXLES

DRIVE AXLES

PINION SEALS

CONMET®

LIGHT TRUCK

Standard Forge Axle Model Index

Model	Line No.	Model	Line No.	Model	Line No.	Model	Line No.
408	1	A21T	5	A700	1	SD2200AB	10
A10S	2	A-22	6	A8.5S	2	STA13	4
A11S	3	A22S	6	A900	1	STA13S	4
A13S	4	A22H	6	AL17S	1	T8.5	2
A13S	4	A22S	6	AT20T	5	T85	2
A15	4	A24H	13	DA11S	3	T8.5S	2
A15S	4	A24S	13	DA13S	4	T85S	2
A16	14	A25	7	DA13X	4	TA13S	4
A-16 Series	16	A25S	7	DA15S	4	TA16S-60	15
A17S	1	A26	7	DA17S	1	TA16S-60 Series	15
A18S	1	A26S	7	DA17S	1	TA17	1
A19	1	A40	11	DA19H	1	TA17S	1
A19H	1	A40S	11	DA19S	1	TA20T	5
A19S	1	A45S	8	K14	4	TA21T	5
A-20 Series	5	A50	12	K21	1	TA25	7
A20T	5	A60	12	K25	5	TA26	7
A21	5	A60S	12	K30	7	TTA13S	4
A21S	1	A65	9	S700	1	TTA17	1
A-21Series	17	A65S	9	S900	1	TTA17S	1

Mfr Line Number	Scotseal® PlusXL	Scotseal® Classic	Scotseal® Longlife	Inner (Cone/Cup)	Outer (Cone/Cup)	Grease Seal Location	Number
--------------------	---------------------	----------------------	-----------------------	---------------------	---------------------	-------------------------	--------

Standard Forge

1	40129	40136 or 40139 ⁵		BR663/ BR653 ▲SET405	HM212049/ HM212011 ▲SET413		
2		28820		BR28995/ BR28920	BR25580/ BR25523		
3				560-S/ 552-A	BR419/ BR414		
4		35075		BR567/ BR563 ▲SET425	BR528/ BR522		
5		42624		BR749/ BR742	BR643/ BR632		
6	46300	46305	46308	HM218248/ HM218210 ▲SET414	HM212049/ HM212011 ▲SET413		
7		45162		BR759/ BR752	BR740/ BR742		
8				BR787/ BR772	BR6580/ BR6535		
9					BR6580/ BR6535		
10		35075		BR39250/ BR39412			

For in-text symbols, see page 6.

Mfr Line Number	Scotseal® PlusXL	Scotseal® Classic	Scotseal® Longlife	Inner (Cone/Cup)	Outer (Cone/Cup)	Grease Seal Location	Grease Seal Number
Standard Forge (continued)							
11				BR780/ BR772	BR6580/ BR6535		
12					BR6580/ BR6535		
13	42627	42623	42631	HM518445/ HM518410 ▲SET415	HM518445/ HM518410 ▲SET415		
14				BR581/ BR572	HM212049/ HM212011 ▲SET413		
15				BR580/ BR572 ▲SET401	BR560/ 553-X		
16				BR580/ BR572 ▲SET401	HM212049/ HM212011 ▲SET413		
17					BR643/ BR633		

Stoughton Trailers Inc. - See Axle Mfr.

Strick Corp. - See Axle Mfr.

Sudisa Axle Model Index

Model	Capacity	Line No.	Model	Capacity	Line No.	Model	Capacity	Line No.
EA11ED	(1969&UP)	1	EA12EF		3	EA9EM		2
EA11EM		2	EA12TD	(1969&UP)	1	ET9M		2
EA11TM		2	EA12TF		3			

Mfr Line Number	Scotseal® PlusXL	Scotseal® Classic	Scotseal® Longlife	Inner (Cone/Cup)	Outer (Cone/Cup)	Grease Seal Location	Grease Seal Number
Sudisa							
1	47692	47697	47693	594-A/ 592-A ▲SET403	BR580/ BR572 ▲SET401		
2	46300	46305	46308	HM218248/ HM218210 ▲SET414	HM212049/ HM212011 ▲SET413		
3	42627	42623	42631	HM518445/ HM518410 ▲SET415	HM518445/ HM518410 ▲SET415		

APPLICATIONS

TRAILER, TAG & PUSH AXLES

FRONT AXLES

DRIVE AXLES

PINION SEALS

CONMET®

LIGHT TRUCK

Theurer Atlantic - See Axle Mfr.

Timken - See ArvinMeritor Standard

Timpte - See Axle Mfr.

Trailmobile - See Axle Mfr.

Trailer Axle Model Index

Model	Capacity	Line No.	Model	Capacity	Line No.	Model	Capacity	Line No.
23000 lbs.	23000 lbs.	1						

Mfr Line Number	Scotseal® PlusXL	Scotseal® Classic	Scotseal® Longlife	Inner (Cone/Cup)	Outer (Cone/Cup)	Grease Seal Location	Number
--------------------	---------------------	----------------------	-----------------------	---------------------	---------------------	-------------------------	--------

Trailer

1 w/o Gunitite 81012 Anti-Skid Control Kit	43754	43752		JM718149/ JM718110	HM212049/ HM212011 ▲SET413		
w/Gunitite 81012 Anti-Skid Control Kit	45093	45099		JM718149/ JM718110	HM212049/ HM212011 ▲SET413		

Trunnion Axle Model Index

Model	Line No.	Model	Line No.	Model	Line No.	Model	Line No.
TA-175	1						

Mfr Line Number	Scotseal® PlusXL	Scotseal® Classic	Scotseal® Longlife	Inner (Cone/Cup)	Outer (Cone/Cup)	Grease Seal Location	Number
--------------------	---------------------	----------------------	-----------------------	---------------------	---------------------	-------------------------	--------

Trunnion

1	40129	40136 or 40139 ⁵		BR663/ BR653 ▲SET405	HM212049/ HM212011 ▲SET413		
-------------------	-------	--------------------------------	--	----------------------------	----------------------------------	--	--

Utility Equip Axle Model Index

Model	Capacity	Line No.	Model	Capacity	Line No.	Model	Capacity	Line No.
18000 lbs.	18000 lbs.	1						

Mfr Line Number	Scotseal® PlusXL	Scotseal® Classic	Scotseal® Longlife	Inner (Cone/Cup)	Outer (Cone/Cup)	Grease Seal Location	Number
--------------------	---------------------	----------------------	-----------------------	---------------------	---------------------	-------------------------	--------

Utility Equip

1 From 1965	40129	40136 or 40139 ⁵		BR663/ BR653 ▲SET405	HM212049/ HM212011 ▲SET413		
-----------------------------	-------	--------------------------------	--	----------------------------	----------------------------------	--	--

Volvo Axle Model Index

Model	Line No.	Model	Line No.	Model	Line No.	Model	Line No.
F7	1						

Mfr Line Number	Scotseal® PlusXL	Scotseal® Classic	Scotseal® Longlife	Inner (Cone/Cup)	Outer (Cone/Cup)	Grease Seal Location	Number
--------------------	---------------------	----------------------	-----------------------	---------------------	---------------------	-------------------------	--------

Volvo

①	45157	45160		BR594/ 592-A	BR580/ BR572 ▲SET401		
---------	-------	-------	--	-----------------	----------------------------	--	--

Vulcan Trailer - See Axle Mfr.

Wabash National Corp. - See Axle Mfr.

Webb - See Axle Mfr.

Westport Axle Model Index

Model	Line No.	Model	Line No.	Model	Line No.	Model	Line No.
F3W-1600	1	F6W-1600	1	WS16 (w/Star Front)	1		

Mfr Line Number	Scotseal® PlusXL	Scotseal® Classic	Scotseal® Longlife	Inner (Cone/Cup)	Outer (Cone/Cup)	Grease Seal Location	Number
--------------------	---------------------	----------------------	-----------------------	---------------------	---------------------	-------------------------	--------

Westport

①	46300	46305	46308	HM218248/ HM218210 ▲SET414	HM212049/ HM212011 ▲SET413		
---------	-------	-------	-------	----------------------------------	----------------------------------	--	--

White Axle Model Index

Model	Line No.	Model	Line No.	Model	Line No.	Model	Line No.
TKN	1	TQD	1				

Mfr Line Number	Scotseal® PlusXL	Scotseal® Classic	Scotseal® Longlife	Inner (Cone/Cup)	Outer (Cone/Cup)	Grease Seal Location	Number
--------------------	---------------------	----------------------	-----------------------	---------------------	---------------------	-------------------------	--------

White

①	46300	46305	46308	HM218248/ HM218210 ▲SET414	HM212049/ HM212011 ▲SET413		
---------	-------	-------	-------	----------------------------------	----------------------------------	--	--

Wilson Trailer Co. - See Axle Mfr.

APPLICATIONS

TRAILER, TAG & PUSHER AXLES

FRONT AXLES

DRIVE AXLES

PINION SEALS

CONMET®

LIGHT TRUCK

ACF Truck Axle Model Index

Model	Line No.	Model	Line No.	Model	Line No.	Model	Line No.
37P	2	C27	1	C44	2	T45	2
37PA	2	C27B	1	C51	3	T46	2
37PB	2	C31	1	IC41	2	TC44	3
37PBS	2	C31B	1	IC41A	2		
41S	2	C36	2	SU37	1		
45S	2	C40	2	T44	2		

Mfr Line Number	Scotseal® PlusXL	Scotseal® Classic	Scotseal® Longlife	Inner (Cone/Cup)	Outer (Cone/Cup)	Grease Seal Location	Grease Seal Number
--------------------	---------------------	----------------------	-----------------------	---------------------	---------------------	-------------------------	-----------------------

ACF Truck

1						Inner	28848
2						Inner	40036
3						Inner	40078

Aerocoach - See Axle Mfr.

American LaFrance - See Axle Mfr.

ArvinMeritor (School Bus) Axle Model Index

Model	Capacity	Line No.	Model	Capacity	Line No.	Model	Capacity	Line No.
FC900		1	FE921		3	FF941		3
FC931		1	FE931		4	FF942		6
FD900		2	FF900		3	FF943		3
FD921		2	FF921		3	FF961		6
FD931		2	FF931		3	FG941		6
FD961		3	FF932		6	FG943		6
FE900	Std. Axle	4	FF933		3			
FE900	Std. Axle	5	FF934		3			

Mfr Line Number	Scotseal® PlusXL	Scotseal® Classic	Scotseal® Longlife	Inner (Cone/Cup)	Outer (Cone/Cup)	Grease Seal Location	Grease Seal Number
--------------------	---------------------	----------------------	-----------------------	---------------------	---------------------	-------------------------	-----------------------

ArvinMeritor (School Bus)

1				BR45284/ BR45220 ▲SET410			
2	35058	35066	35103	BR39581/ BR39520	BR3585/ BR3525		
3	35058	35066	35103	HM212047/ HM212011 ▲SET412	BR3782/ BR3720 ▲SET406		
4	35058	35066	35103	557-A/ 553-X	BR3782/ BR3720 ▲SET406		
5	35058	35066	35103	HM212044/ HM212011	BR3782/ BR3720 ▲SET406		

For in-text symbols, see page 6.

Mfr Line Number	Scotseal® PlusXL	Scotseal® Classic	Scotseal® Longlife	Inner (Cone/Cup)	Outer (Cone/Cup)	Grease Seal Location	Number
ArvinMeritor (School Bus) (continued)							
6	35058	35066	35103	HM212049/ HM212011 ▲SET413	BR3782/ BR3720 ▲SET406		

ArvinMeritor Standard Axle Model Index

Model	Capacity	Line No.	Model	Capacity	Line No.	Model	Capacity	Line No.
16000		43	27062A	14500 lbs.	46	32550		61
16600		43	27063	14000 lbs.	47	32550H		27
16601		43	27070	14000 lbs.	47	32550TW		27
16602		43	27071	14000 lbs.	47	32552		52
16608		38	27072	14000 lbs.	47	32553		52
16612		38	27450	14000 lbs.	46	32556		52
16613		38	27451	14000 lbs.	46	F2090	8000 lbs.	20
16616		38	27452	14000 lbs.	46	F2090H	15000 lbs.	20
16618		38	27454	14000 lbs.	46	F2090H73	15000 lbs.	20
16800		56	27460	15000 lbs.	16	F2090W	15000 lbs.	20
16800W	12000 lbs.	24	27460	14000 lbs.	58	F2090W73	15000 lbs.	20
16801		56	27461	14000 lbs.	46	F2094	10500 lbs.	39
16801W	12000 lbs.	25	27462	14000 lbs.	46	F233	10000 lbs.	23
1689		38	27462A	14000 lbs.	46	F235	15000 lbs.	21
16900		38	27463	14000 lbs.	46	F3100CW	15000 lbs.	21
16901		51	27463A	14000 lbs.	46	F3100W	15000 lbs.	21
16901W	12000 lbs.	26	27465	15000 lbs.	16	F3200W	15000 lbs.	21
16902		51	27465A	14000 lbs.	58	F409CW	15000 lbs.	21
16902W	12000 lbs.	26	27620	14000 lbs.	46	F460		22
16903		51	2770		38	F462		22
16903W	12000 lbs.	26	2771		38	F464		22
16905		51	2774		38	F466		22
16905W	12000 lbs.	26	2775		38	F7900	20000 lbs.	57
16910		51	2776		38	F7900N	15000 lbs.	23
1692		38	2777		38	F7901	20000 lbs.	42
16920		51	30000	3750 lbs.	48	F7910	20000 lbs.	42
16920W	12000 lbs.	26	30003	3750 lbs.	48	FC900		62
1693		38	30004	3750 lbs.	48	FC900H	7000 lbs.	1
16930	12000 lbs.	26	30012	3750 lbs.	48	FC900N	7000 lbs.	1
16930W	12000 lbs.	26	30020	3750 lbs.	48	FC900TW	7000 lbs.	1
16931	12000 lbs.	26	30023	3750 lbs.	49	FC901	7000 lbs.	1
16931W	12000 lbs.	26	30062	3750 lbs.	49	FC901H	7000 lbs.	1
2600		40	30063	3750 lbs.	49	FC901N	7000 lbs.	1
26060		38	30064	3750 lbs.	49	FC901TW	7000 lbs.	1
26061		45	31007	4500 lbs.	50	FC903	7000 lbs.	32
26062		38	31008	4500 lbs.	50	FC921	7000 lbs.	32
26063		38	31009	4500 lbs.	50	FC931	7000 lbs.	2
26065		38	31013	4500 lbs.	50	FC931N	7000 lbs.	2
2650		38	31015	4500 lbs.	50	FC941	8000 lbs.	36
2652		51	31018	4500 lbs.	50	FD208	9000 lbs.	9
2652P		38	31020	4500 lbs.	50	FD209	9000 lbs.	9
2653		38	31041	4500 lbs.	50	FD211	9000 lbs.	10
2653P		38	31100	5000 lbs.	50	FD215	9000 lbs.	10
2658		41	31104	5000 lbs.	50	FD219	9000 lbs.	10
2660		38	31105	5000 lbs.	50	FD900	9000 lbs.	9
2661		38	31116	5000 lbs.	50	FD900DPA	9000 lbs.	9
2662		38	32500		52	FD900DPH	9000 lbs.	9
2663		38	32501		52	FD900H	9000 lbs.	9
2664		38	32502		52	FD900N	9000 lbs.	9
2665		38	32504		52	FD900P	9000 lbs.	9
2666		38	32505		61	FD900TW	9000 lbs.	9
2668		38	32506		52	FD900W	9000 lbs.	9
2700		40	32508		52	FD901	9000 lbs.	54
27000	14000 lbs.	46	32509		52	FD901DPH	9000 lbs.	9
27050	14000 lbs.	46	32514		52	FD901H	9000 lbs.	9
27052	14000 lbs.	46	32515		61	FD901P	9000 lbs.	9
27054	14000 lbs.	46	32518		52	FD901TW	9000 lbs.	9
27060	14000 lbs.	46	32519		52	FD903	9000 lbs.	9
27061	14000 lbs.	46	32520		52	FD921		34
27062	14000 lbs.	46	32521		52	FD931	9000 lbs.	2

For in-text symbols, see page 6.

APPLICATIONS
 TRAILER, TAG & PUSH AXLES
 FRONT AXLES
 DRIVE AXLES
 PINION SEALS
 CONMET®
 LIGHT TRUCK

ArvinMeritor Standard Axle Model Index (continued)

Model	Capacity	Line No.	Model	Capacity	Line No.	Model	Capacity	Line No.
FD931N	9000 lbs.	2	FE970TW	10800 lbs.	12	FH901N	16000 lbs.	17
FD931TW	9000 lbs.	2	FF900	12000 lbs.	30	FH901P	16000 lbs.	17
FD933	9000 lbs.	34	FF901	12000 lbs.	55	FH901RDA	16000 lbs.	17
FD961	10000 lbs.	30	FF901H	12000 lbs.	10	FH901RDH	16000 lbs.	17
FDS1600	16000 lbs.	3	FF901N	12000 lbs.	10	FH903	16000 lbs.	29
FDS1600RSA	16000 lbs.	3	FF901P	12000 lbs.	10	FL900	18000 lbs.	29
FDS1800	18000 lbs.	4	FF901RDA	12000 lbs.	10	FL901	18000 lbs.	18
FDS1800N	18000 lbs.	4	FF901RDH	12000 lbs.	10	FL901N	18000 lbs.	18
FDS1800RSA	18000 lbs.	4	FF901TW	12000 lbs.	10	FL901P	18000 lbs.	18
FDS1800TW	18000 lbs.	4	FF903	12000 lbs.	10	FL901RDA	18000 lbs.	18
FDS1801RSA	18000 lbs.	4	FF920		30	FL901RDH	18000 lbs.	18
FDS1801TW	18000 lbs.	4	FF921	12000 lbs.	10	FL903	18000 lbs.	29
FDS1802RSA	18000 lbs.	4	FF921RDA	12000 lbs.	10	FL921	18000 lbs.	29
FDS1805	18000 lbs.	5	FF921RDH	12000 lbs.	10	FL931	20000 lbs.	18
FDS1805RDH	18000 lbs.	5	FF921TW	12000 lbs.	10	FL931N	20000 lbs.	18
FDS1807	18000 lbs.	5	FF930	12000 lbs.	30	FL931P	20000 lbs.	18
FDS1807RDH	18000 lbs.	5	FF931	12000 lbs.	10	FL931RDA	20000 lbs.	18
FDS1808	18000 lbs.	5	FF931A	12000 lbs.	10	FL936		29
FDS1808RHD	18000 lbs.	5	FF931P	12000 lbs.	10	FL941	20000 lbs.	18
FDS2100	21000 lbs.	5	FF931TW	12000 lbs.	10	FL942	13000 lbs.	29
FDS2101	21000 lbs.	5	FF932	12000 lbs.	13	FL943	16000 lbs.	29
FDS2102	21000 lbs.	5	FF933	12000 lbs.	13	FL951	20000 lbs.	18
FDS75	7500 lbs.	60	FF934		30	FU900	28000 lbs.	19
FDS750	7500 lbs.	7	FF941	12000 lbs.	10	FU900P	28000 lbs.	19
FDS750BH	7500 lbs.	7	FF941A	12000 lbs.	10	FU910	28000 lbs.	33
FDS750CH	7500 lbs.	7	FF942	13200 lbs.	37	FU935	30000 lbs.	35
FDS750CN	7500 lbs.	7	FF943	12000 lbs.	30	JD1448		38
FDS751CN	7500 lbs.	8	FF944	13200 lbs.	29	RF16145	16000 lbs.	44
FDS75N	7500 lbs.	6	FF961	12000 lbs.	37	RF21155	21000 lbs.	44
FE900	10800 lbs.	11	FF966	12000 lbs.	59	RF21156	21000 lbs.	44
FE900DPA	10800 lbs.	11	FF971	12000 lbs.	14	RF21355	21000 lbs.	53
FE900DPH	10800 lbs.	11	FG900	14600 lbs.	15	RHD	12000 lbs.	10
FE900H	10800 lbs.	11	FG900N	14600 lbs.	15			
FE900N	10800 lbs.	11	FG900TW	14600 lbs.	15			
FE900P	10800 lbs.	11	FG901	14600 lbs.	16			
FE900TW	10800 lbs.	11	FG903	14600 lbs.	16			
FE901	11000 lbs.	31	FG931	14600 lbs.	13			
FE903	11000 lbs.	31	FG931	14600 lbs.	59			
FE921	11000 lbs.	30	FG941	14600 lbs.	13			
FE931	11000 lbs.	31	FG943	14600 lbs.	37			
FE970	11000 lbs.	12	FH900	16000 lbs.	28			
			FH901	16000 lbs.	17			

Mfr Line Number	Scotseal® PlusXL	Scotseal® Classic	Scotseal® Longlife	Inner (Cone/Cup)	Outer (Cone/Cup)	Grease Seal Location	Number
--------------------	---------------------	----------------------	-----------------------	---------------------	---------------------	-------------------------	--------

ArvinMeritor Standard

1							
Standard Axle		28820		BR45284/ BR45220 ▲SET410	BR2780/ BR2720		
Ford		28820		BR45284/ BR45220 ▲SET410	BR25880/ BR25820	Inner	28828
Navistar		28820		BR45284/ BR45220 ▲SET410	BR2780/ BR2720		
2							
	35058	35066	35103	BR39581/ BR39520	BR3585/ BR3525	Inner	34980
3							
Standard Axle				BR64450/ BR64700	HM218248/ HM218210 ▲SET414	Inner	60012

For in-text symbols, see page 6.

Mfr Line Number	Scotseal® PlusXL	Scotseal® Classic	Scotseal® Longlife	Inner (Cone/Cup)	Outer (Cone/Cup)	Grease Seal Location	Number
ArvinMeritor Standard (continued)							
Navistar				BR64450/ BR64700	HM218248/ HM218210 ▲SET414	Inner	60012
4 Standard Axle				BR71450/ BR71750	BR52400/ BR52637	Inner	70016
Navistar				BR71450/ BR71750	BR52400/ BR52637	Inner	70016
5 Standard Axle				JHM720249/ JHM720210	BR52375/ BR52637	Axle Shaft	32397
Navistar				JHM720249/ JHM720210	BR52375/ BR52637	Inner	53790
						Axle Shaft	32397
						Inner	53790
6				BR39590/ BR39520 ▲SET408	387-S/ 382-A	Inner	36186
7 Standard Axle				BR47490/ BR47420	395-A/ 394-A		
Navistar				BR47490/ BR47420	395-A/ 394-A		
8				BR33287/ BR33472	395-A/ 394-A		
9 Standard Axle	35058	35066 or 35072 ⁵	35103	BR39581/ BR39520	BR3585/ BR3525	Inner	35062
Ford	35058	35066 or 35072 ⁵	35103	BR39581/ BR39520	BR3585/ BR3525		
Navistar	35058	35066 or 35072 ⁵	35103	BR39581/ BR39520	BR3585/ BR3525	Inner	35062
10 Standard Axle	35058	35066 or 35072 ⁵	35103	HM212047/ HM212011 ▲SET412	BR3782/ BR3720 ▲SET406	Inner	35062
Ford	35058	35066 or 35072 ⁵	35103	HM212047/ HM212011 ▲SET412	BR3782/ BR3720 ▲SET406	Inner	35062
GMC	35058	35066 or 35072 ⁵	35103	HM212047/ HM212011 ▲SET412	BR3782/ BR3720 ▲SET406	Inner	35062
Navistar	35058	35066 or 35072 ⁵	35103	HM212047/ HM212011 ▲SET412	BR3782/ BR3720 ▲SET406	Inner	35062
11 Standard Axle - 2nd Design..	35058	35066 or 35072 ⁵	35103	HM212044/ HM212011	BR3782/ BR3720 ▲SET406	Inner	35062
Standard Axle - 1st Design .	35058	35066 or 35072 ⁵	35103	557-A/ 553-X	BR3782/ BR3720 ▲SET406	Inner	35062
Ford - 2nd Design	35058	35066 or 35072 ⁵	35103	HM212044/ HM212011	BR3782/ BR3720 ▲SET406	Inner	35062

APPLICATIONS
 TRAILER, TAG & PUSHER AXLES
 FRONT AXLES
 DRIVE AXLES
 PINION SEALS
 CONMET®
 LIGHT TRUCK

Mfr Line Number	Scotseal® PlusXL	Scotseal® Classic	Scotseal® Longlife	Inner (Cone/Cup)	Outer (Cone/Cup)	Grease Seal Location	Grease Seal Number
ArvinMeritor Standard (continued)							
Ford - 1st Design	35058	35066 or 35072 ⁵	35103	557-A/ 553-X	BR3782/ BR3720 ▲SET406	Inner	35062
GMC - From 1960	35058	35066 or 35072 ⁵	35103	HM212044/ HM212011	BR3782/ BR3720 ▲SET406		
GMC - From 1955 Thru 1959.		35075		HM212044/ HM212011	BR3782/ BR3720 ▲SET406		
GMC - Thru 1954		35075		557-A/ 553-X	BR3782/ BR3720 ▲SET406		
Navistar - 2nd Design	35058	35066 or 35072 ⁵	35103	HM212044/ HM212011	BR3782/ BR3720 ▲SET406	Inner	35062
Navistar - 1st Design	35058	35066 or 35072 ⁵	35103	557-A/ 553-X	BR3782/ BR3720 ▲SET406	Inner	35062
12 Standard Axle		48794		756-A/ BR752	HM212047/ HM212011 ▲SET412	Inner	48883
Ford		48796		756-A/ BR752	HM212047/ HM212011 ▲SET412	Inner	48886
GMC		48794		756-A/ BR752	HM212046/ HM212011	Inner	48883
Navistar		48794		756-A/ BR752	HM212047/ HM212011 ▲SET412	Inner	48883
13	35058	35066 or 35072 ⁵	35103	HM212049/ HM212011 ▲SET413	BR3782/ BR3720 ▲SET406	Inner	35062
14		48796		756-A/ BR752	HM212047/ HM212011 ▲SET412	Inner	48886
15 Standard Axle		39380		BR6320/ BR6386	532-A/ BR537	Inner	40036
Navistar		39380		BR6320/ BR6386	532-A/ BR537	Inner	40036
16 Ford		39380		BR6320/ BR6389	532-A/ BR537	Inner	40036
GMC		39380		BR6320/ BR6389	532-A/ BR537	Inner	40036
Navistar		39380		BR6320/ BR6389	532-A/ BR537	Inner	40036
17 Standard Axle	43761	43764		6461-A/ BR6420 ▲SET423	BR3979/ BR3920	Inner	43762
Ford	43761	43764		6461-A/ BR6420 ▲SET423	555-S/ 552-A ▲SET424	Inner	43762

For in-text symbols, see page 6.

Mfr Line Number	Scotseal® PlusXL	Scotseal® Classic	Scotseal® Longlife	Inner (Cone/Cup)	Outer (Cone/Cup)	Grease Seal Location	Grease Seal Number
ArvinMeritor Standard (continued)							
Navistar - Exc. FA231	43761	43764		6461-A/ BR6420 ▲SET423	BR3979/ BR3920	Inner	43762
Navistar - FA231	43761	43764		6461-A/ BR6420 ▲SET423	555-S/ 552-A ▲SET424	Inner	43762
18 Standard Axle	43761	43764		6461-A/ BR6420 ▲SET423	555-S/ 552-A ▲SET424	Inner	43762
Ford	43761	43764		6461-A/ BR6420 ▲SET423	555-S/ 552-A ▲SET424	Inner	43762
GMC	43761	43764		6461-A/ BR6420 ▲SET423	555-S/ 552-A ▲SET424	Inner	43762
Navistar	43761	43764		6461-A/ BR6420 ▲SET423	555-S/ 552-A ▲SET424	Inner	43762
19					BR749/ BR742	Outer	43820
20				BR594/ 592-A	BR498/ BR493	Axle Shaft	19886
21 Standard Axle				BR71450/ BR71750	BR52400/ BR52637	Outer	25043
Navistar				BR71450/ BR71750	BR52400/ BR52637	Inner	62495
22 GMC				BR3578/ BR3525	BR2689/ BR2631	Inner - 2.250" Shaft	22583
						Inner - 2.375" Shaft	23779
23				BR64450/ BR64700	BR52400/ BR52637		
24				BR623/ BR612		Inner	37525
25					BR59187/ BR59412	Inner	40077
26 2.563" Inner Brg. I.D.	40091	40086		BR6379/ BR6320	557-S/ 552-A	Inner	40078
2.625" Inner Brg. I.D.	40091	40086		BR6386/ BR6320	557-S/ 552-A	Inner	40078
27				BR3778/ BR3720	BR2790/ BR2720		
28	43761	43764		6461-A/ BR6420 ▲SET423	555-S/ 552-A ▲SET424		

APPLICATIONS
 TRAILER, TAG & PUSHER AXLES
 FRONT AXLES
 DRIVE AXLES
 PINION SEALS
 CONMET®
 LIGHT TRUCK

Mfr Line Number	Scotseal® PlusXL	Scotseal® Classic	Scotseal® Longlife	Inner (Cone/Cup)	Outer (Cone/Cup)	Grease Seal Location	Grease Seal Number
ArvinMeritor Standard (continued)							
29	43761	43764		6461-A/ BR6420 ▲SET423	555-S/ 552-A ▲SET424		
30	35058	35066 or 35072 ⁵	35103	HM212047/ HM212011 ▲SET412	BR3782/ BR3720 ▲SET406		
31	35058	35066 or 35072 ⁵	35103	557-A/ 553-X	BR3782/ BR3720 ▲SET406		
32 Thru 9/72		28820		BR45284/ BR45220 ▲SET410	BR2780/ BR2720		
From 10/72		28832		BR45284/ BR45220 ▲SET410	BR2780/ BR2720		
33					BR749/ BR742		
34	35058	35066 or 35072 ⁵	35103	BR39581/ BR39520	BR3585/ BR3525		
35					555-S/ 552-A ▲SET424		
36	28759	28758		JM207049-A/ JM207010	BR25877/ BR25820		
37	35058	35066 or 35072 ⁵	35103	HM212049/ HM212011 ▲SET413	BR3782/ BR3720 ▲SET406		
38	40091	40086		BR6320/ BR6379	552-A/ 557-S		
39				BR594/ 592-A	BR498/ BR493		
40 2.563" Inner Cone I.D.	40091	40086		BR6320/ BR6379	552-A/ 557-S		
2.625" Inner Cone I.D. & .17" Cone Front Face Radius ..	40091	40086		BR6320/ BR6386	552-A/ 557-S		
2.625" Inner Cone I.D. & .25" Cone Front Face Radius ..	40091	40086		BR6320/ BR6389	552-A/ 557-S		
41		40036 40040					

For in-text symbols, see page 6.

Mfr Line Number	Scotseal® PlusXL	Scotseal® Classic	Scotseal® Longlife	Inner (Cone/Cup)	Outer (Cone/Cup)	Grease Seal Location	Grease Seal Number
ArvinMeritor Standard (continued)							
42				BR64450/ BR64700			
43				BR623/ BR612	BR460/ 453-X		
44				JHM720249/ JHM720210	BR52375/ BR52637		
45					BR59175/ BR59412		
46 3.875" Shaft		38747 [†] w/455031		BR6386/ BR6320	BR537/ 532-A		
4.000" Shaft	40091	40086		BR6320/ BR6389	552-A/ 557-S		
47	40091	40086		BR6320/ BR6379	552-A/ 557-S		
48				BR3382/ BR3320	BR1779/ 1729-X		
49				BR3382/ BR3320			
50				BR3578/ BR3525	BR2689/ BR2631		
51 2.563" Inner Cone I.D.	40091	40086		BR6379/ BR6320	557-S/ 552-A		
2.625" Inner Cone I.D. & .17" Cone Front Face Radius ..	40091	40086		BR6386/ BR6320	557-S/ 552-A		
2.625" Inner Cone I.D. & .25" Cone Front Face Radius ..	40091	40086		BR6389/ BR6320	557-S/ 552-A		
52 1.313" Outer Cone I.D.				BR3778/ BR3720	BR2790/ BR2720		
1.375" Outer Cone I.D.				BR3778/ BR3720	BR25877/ BR25820		
53				JHM720249/ JHM720210	BR52375/ BR52637	Inner	32437
						Outer	53790
54	35058	35066 or 35072 ⁵	35103	BR39581/ BR39520	BR3585/ BR3525	Inner	35062
55	35058	35066 or 35072 ⁵	35103	HM212047/ HM212011 ▲ SET412	BR3782/ BR3720 ▲ SET406	Inner	35062

APPLICATIONS

TRAILER, TAG & PUSH AXLES

FRONT AXLES

DRIVE AXLES

PINION SEALS

CONMET®

LIGHT TRUCK

Mfr Line Number	Scotseal® PlusXL	Scotseal® Classic	Scotseal® Longlife	Inner (Cone/Cup)	Outer (Cone/Cup)	Grease Seal Location	Grease Seal Number
ArvinMeritor Standard (continued)							
56	40091	40086		BR6379/ BR6320	557-S/ 552-A	Inner	40078
57				BR64450/ BR64700		Inner	29322
						Outer	29322
58		38747		BR6386/ BR6320	BR537/ 532-A		
5.375" Seal Bore				BR6389/ BR6320	557-S/ 552-A		
5.625" Seal Bore	40091	40086					
59	35058	35066 or 35072 ⁵	35103	HM212049/ HM212011 ▲SET413	BR3782/ BR3720 ▲SET406		
60	28759	28758		JM207049-A/ JM207010	BR25877/ BR25820		
61				BR3778/ BR3720			
62				BR45284/ BR45220 ▲SET410			

Autocar - See Axle Mfr.

Available - See Axle Mfr.

Bluebird Body Co. - See Axle Mfr.

Boyertown Auto Body Co. - See Axle Mfr.

Brockway - See Axle Mfr.

Brown - See Axle Mfr.

Capacity - See Axle Mfr.

Champion Motors - See Axle Mfr.

Chevrolet - See GMC

Clark Axle Axle Model Index

Model	Capacity	Line No.	Model	Capacity	Line No.	Model	Capacity	Line No.
F-361	3600 lbs.	1	F-458	4500 lbs.	2	FDS-2000	20000 lbs.	3
F-362	3600 lbs.	1	F-459	4500 lbs.	2			

Mfr Line Number	Scotseal® PlusXL	Scotseal® Classic	Scotseal® Longlife	Inner (Cone/Cup)	Outer (Cone/Cup)	Grease Seal Location	Number
--------------------	---------------------	----------------------	-----------------------	---------------------	---------------------	-------------------------	--------

Clark Axle

1				BR2788/ BR2726	BR1380/ BR1328		
2				BR26882/ BR26822	BR15101/ BR15250		
3				BR593/ 592-A			

Coleman Axle Model Index

Model	Capacity	Line No.	Model	Capacity	Line No.	Model	Capacity	Line No.
14000	14000 lbs.	1	SD12	12000 lbs.	1	SD9	9000 lbs.	1
9000	9000 lbs.	2	SD17	17000 lbs.	2			

Mfr Line Number	Scotseal® PlusXL	Scotseal® Classic	Scotseal® Longlife	Inner (Cone/Cup)	Outer (Cone/Cup)	Grease Seal Location	Number
--------------------	---------------------	----------------------	-----------------------	---------------------	---------------------	-------------------------	--------

Coleman

1						Inner - Navistar FA140	21336
2						Inner	18425

Correct Mfg. Co. - See Axle Mfr.

Crane Carrier - See Axle Mfr.

Crown Coach - See Axle Mfr.

Dana - See Spicer

Dart Truck Co. (Div. of Paccar) - See Axle Mfr.

Daybrook Ottawa - See Axle Mfr.

Diamond Reo - See Axle Mfr.

Diamond T - See Axle Mfr.

Dodge Axle Model Index

Model	Capacity	Line No.	Model	Capacity	Line No.	Model	Capacity	Line No.
11000 lbs.	11000 lbs.	1	5000 lbs.	5000 lbs.	6	FA-40	4000 lbs.	5
12000 lbs.	12000 lbs.	2	5500 lbs.	5500 lbs.	7	FA-50	5000 lbs.	7
15000 lbs.	15000 lbs.	3	7000 lbs.	7000 lbs.	8	FA-55	5500 lbs.	7
16000 lbs.	16000 lbs.	4	7500 lbs.	7500 lbs.	9			
4000 lbs.	4000 lbs.	5	9000 lbs.	9000 lbs.	10			

Mfr Line Number	Scotseal® PlusXL	Scotseal® Classic	Scotseal® Longlife	Inner (Cone/Cup)	Outer (Cone/Cup)	Grease Seal Location	Number
--------------------	---------------------	----------------------	-----------------------	---------------------	---------------------	-------------------------	--------

Dodge

①	35058	35066 or 35072 ⁵	35103	HM212044/ HM212011	BR3782/ BR3720 ▲SET406	Inner	35062
②	35058	35066 or 35072 ⁵	35103	HM212047/ HM212011 ▲SET412	BR3782/ BR3720 ▲SET406	Inner	35062
③		39380		BR6386/ BR6320	BR537/ 532-A	Inner	40036
④	43761	43764		6461-A/ BR6420 ▲SET423	555-S/ 552-A ▲SET424		
⑤				BR37	BR15101/ BR15245	Inner	22835
⑥				BR25590/ BR25520	BR14116/ BR14276	Inner	24459
				BR25590/ BR25520	BR14116/ BR14276	Inner	22835
⑦				BR25590/ BR25520	BR14116/ BR14276	Inner	24459
⑧		28820		BR45284/ BR45220 ▲SET410	BR2780/ BR2720	Inner	28828
	34971	34975		BR45284/ BR45220 ▲SET410	BR2780/ BR2720	Inner	34980
⑨				BR47490/ BR47420			
⑩	35058	35066 or 35072 ⁵	35103	BR39581/ BR39520	BR3585/ BR3525	Inner	35062
	34971	34975		BR39581/ BR39520	BR3585/ BR3525	Inner	34980

Duplex - See Axle Mfr.

Eagle - See Axle Mfr.

Eagle (Transit Bus) Axle Model Index

Model	Line No.	Model	Line No.	Model	Line No.	Model	Line No.
BOGIE AXLE	1	FRONT AXLE	1				

Mfr Line Number	Scotseal® PlusXL	Scotseal® Classic	Scotseal® Longlife	Inner (Cone/Cup)	Outer (Cone/Cup)	Grease Seal Location	Grease Seal Number
1	35058	35066	35103	HM212047/ HM212011 ▲SET412	BR3782/ BR3720 ▲SET406		

Eaton Axle Model Index

Model	Capacity	Line No.	Model	Capacity	Line No.	Model	Capacity	Line No.
79F		8	EFA18F3		3	F3A		4
82F		8	EFA20F4	20000 lbs.	3	F3D		4
E10001	10000 lbs.	1	EFA22T2	20000 lbs.	2	F4A		4
E20001	12000 lbs.	1	EFA22T2		3	F4D		4
EAF18F3	18000 lbs.	2	EFA22T5	20000 lbs.	2	FE-10		5
EFA12F3	12000 lbs.	1	EFA22T5		3	FE-10A		5
EFA12F4	12000 lbs.	1	EFA24T2	22000 lbs.	2	FE-10A43		5
EFA13F3	13200 lbs.	1	EFA24T2		3	FE-11		6
EFA13F4	13200 lbs.	1	EFA24T5	22000 lbs.	2	FX-1		5
EFA13F5	12000 lbs.	1	EFA24T5		3	FY-1		7

Mfr Line Number	Scotseal® PlusXL	Scotseal® Classic	Scotseal® Longlife	Inner (Cone/Cup)	Outer (Cone/Cup)	Grease Seal Location	Grease Seal Number
1	35058	35066 or 35072 ⁵	35103	HM212049/ HM212011 ▲SET413	BR3782/ BR3720 ▲SET406		
2	43761	43764		6461-A/ BR6420 ▲SET423	555-S/ 552-A ▲SET424		
3							
w/o Air Over Hyd. Disc Brks...	43761	43764		6461-A/ BR6420 ▲SET423	555-S/ 552-A ▲SET424		
w/Air Over Hyd. Disc Brks. .	43761	43764		6461-A/ BR6420 ▲SET423	BR3979/ BR3920		
4					BR749/ BR742		
5				BR623/ BR612	BR525/ BR522		
6				BR637/ BR633	BR527/ BR522		
7					BR527/ BR522		

APPLICATIONS

TRAILER, TAG & PUSHER AXLES

FRONT AXLES

DRIVE AXLES

PINION SEALS

CONMET®

LIGHT TRUCK

Mfr Line Number	Scotseal® PlusXL	Scotseal® Classic	Scotseal® Longlife	Inner (Cone/Cup)	Outer (Cone/Cup)	Grease Seal Location	Grease Seal Number
-----------------	------------------	-------------------	--------------------	------------------	------------------	----------------------	--------------------

Eaton (continued)

8				BR6386/ BR6320			
---	--	--	--	-------------------	--	--	--

FWD Axle Model Index

Model	Line No.	Model	Line No.	Model	Line No.	Model	Line No.
22	2	2A	2	2SCB	1	32R	1
22A	2	2B	1	2SDC	1	ND22	2
22HD	2	2C	1	32	1	ND-32A	1
2621	1	2SC	1	32A	1		

Mfr Line Number	Scotseal® PlusXL	Scotseal® Classic	Scotseal® Longlife	Inner (Cone/Cup)	Outer (Cone/Cup)	Grease Seal Location	Grease Seal Number
-----------------	------------------	-------------------	--------------------	------------------	------------------	----------------------	--------------------

FWD

1				BR749/ BR742	BR47686/ BR47620 ▲SET411	Inner	49928
2				BR567/ BR563 ▲SET425	BR33275/ BR33462		

FWD Truck Axle Model Index

Model	Line No.	Model	Line No.	Model	Line No.	Model	Line No.
RS	1						

Mfr Line Number	Scotseal® PlusXL	Scotseal® Classic	Scotseal® Longlife	Inner (Cone/Cup)	Outer (Cone/Cup)	Grease Seal Location	Grease Seal Number
-----------------	------------------	-------------------	--------------------	------------------	------------------	----------------------	--------------------

FWD Truck

1						Inner	17746
---	--	--	--	--	--	-------	-------

Fabco Axle Model Index

Model	Capacity	Line No.	Model	Capacity	Line No.	Model	Capacity	Line No.
12000	12000 lbs.	1	SDA16	16000 lbs.	1	SDA21	21000 lbs.	3
13000	13000 lbs.	2	SDA18	18000 lbs.	1	SDA23	23000 lbs.	3
SDA12	12000 lbs.	1	SDA20	20000 lbs.	3	SDA9	9000 lbs.	1

Mfr Line Number	Scotseal® PlusXL	Scotseal® Classic	Scotseal® Longlife	Inner (Cone/Cup)	Outer (Cone/Cup)	Grease Seal Location	Grease Seal Number
-----------------	------------------	-------------------	--------------------	------------------	------------------	----------------------	--------------------

Fabco

1		45162		HM218248/ HM218210 ▲SET414	BR42687/ BR42620		
2					BR42687/ BR42620		
3						Inner	70016

Fargo - See Axle Mfr.

Federal Motors - See Axle Mfr.

Flex-True - See Axle Mfr.

Flxible - See Axle Mfr.

Flxible (Transit Bus) Axle Model Index

Model	Line No.	Model	Line No.	Model	Line No.	Model	Line No.
17101	1						

Mfr Line Number	Scotseal® PlusXL	Scotseal® Classic	Scotseal® Longlife	Inner (Cone/Cup)	Outer (Cone/Cup)	Grease Seal Location	Number
--------------------	---------------------	----------------------	-----------------------	---------------------	---------------------	-------------------------	--------

Flxible (Transit Bus)

1							
	40091	40086		BR6389/ BR6320	BR537/ 532-A		

Ford Axle Model Index

Model	Capacity	Line No.	Model	Capacity	Line No.	Model	Capacity	Line No.
1	5000 lbs.	1	8	12000 lbs.	13	G	11000 lbs.	11
10000 lbs.	10000 lbs.	20	8000 lbs.	8000 lbs.	23	G	11000 lbs.	12
10000 lbs.	10000 lbs.	24	8000 (Cargo)		20	G	12000 lbs.	13
10800 lbs.	10800 lbs.	20	8000 (Cargo)		23	G	7500 lbs.	14
10800 lbs.	10800 lbs.	24	9	8000 lbs.	9	G	9000 lbs.	15
12000		18	9	15000 lbs.	12	H	12000 lbs.	10
13000 lbs.	13000 lbs.	20	9000 lbs.		23	H	12000 lbs.	12
13000 lbs.	13000 lbs.	23	9000 (Cargo)		20	H	15000 lbs.	16
13100 lbs.	13100 lbs.	20	9000 (Cargo)		24	H (82-88)	12000 lbs.	21
13100 lbs.	13100 lbs.	23	9W	23000 lbs.	3	I	12000 lbs.	6
14600 lbs.	14600 lbs.	20	A	5000 lbs.	1	I	18000 lbs.	17
14600 lbs.	14600 lbs.	23	A	5500 lbs.	1	I	20000 lbs.	18
16000		17	A	16000 lbs.	18	J	5000 lbs.	1
18000		17	B	5000 lbs.	1	J	4700 lbs.	8
2	5500 lbs.	1	B	12000 lbs.	10	K	5500 lbs.	1
20000		17	B	16000 lbs.	17	L	6000 lbs.	2
3	6000 lbs.	2	B	5500 lbs.	26	L	13100 lbs.	4
3	12000 lbs.	4	C	5000 lbs.	1	L	7500 lbs.	5
3	7500 lbs.	5	C	6000 lbs.	2	M	7000 lbs.	2
3	13100 lbs.	7	C	13100 lbs.	4	M	12000 lbs.	13
4	7000 lbs.	2	C	12000 lbs.	13	M	7500 lbs.	14
4	12000 lbs.	13	D	7000 lbs.	2	M	9000 lbs.	14
4	7500 lbs.	14	D	12000 lbs.	13	N	9000 lbs.	10
4	9000 lbs.	15	D	7500 lbs.	14	N	12000 lbs.	13
5	9000 lbs.	10	D	9000 lbs.	15	N	7500 lbs.	25
5	12000 lbs.	13	D	6000 lbs.	27	N (Cargo)	9000 lbs.	23
5	7500 lbs.	22	E	7500 lbs.	1	O	9500 lbs.	6
5(Cargo)	9000 lbs.	20	E	9000 lbs.	1	O	9000 lbs.	9
5(Cargo)	9000 lbs.	23	E	9000 lbs.	10	O	9000 lbs.	10
5(Cargo)	9000 lbs.	24	E	12000 lbs.	13	O	12000 lbs.	13
6	9500 lbs.	6	E	7000 lbs.	16	P	12000 lbs.	10
6	10800 lbs.	6	E (1964-65)	6000 lbs.	26	Q	12000 lbs.	13
6	4700 lbs.	8	F	5500 lbs.	1	R	13100 lbs.	7
6	12000 lbs.	10	F	9000 lbs.	9	R	15000 lbs.	16
6	12000 lbs.	13	F	11000 lbs.	11	R	13000 lbs.	28
6000		4	F	11000 lbs.	12	S	16000 lbs.	17
7	12000 lbs.	10	F	12000 lbs.	13	S	20000 lbs.	18
7000		4	F	16000 lbs.	17	T	18000 lbs.	18
7000 lbs. HYD	7000 lbs.	30	F	7500 lbs.	19	TWIN I-BEAM	4850 lbs.	29
7500	7500 lbs.	25	F	18000 lbs.	21	U	12000 lbs.	13
7500 lbs. HYD	7500 lbs.	30	F (Cargo)		23	U	20000 lbs.	18
8	6000 lbs.	3	G	12000 lbs.	10	U (1964)	6000 lbs.	26
8	7500 lbs.	4	G	7000 lbs.	11	V	5500 lbs.	1

Ford Axle Model Index (continued)

Model	Capacity	Line No.	Model	Capacity	Line No.	Model	Capacity	Line No.
V	6000 lbs.	3	W	12000 lbs.	13	Z	12000 lbs.	13
V	7500 lbs.	4	X	7000 lbs.	2			
V	12000 lbs.	13	X	12000 lbs.	13			
W	6000 lbs.	2	Y	5000 lbs.	1			
W	8000 lbs.	9	Z	15000 lbs.	12			

Mfr Line Number	Scotseal® PlusXL	Scotseal® Classic	Scotseal® Longlife	Inner (Cone/Cup)	Outer (Cone/Cup)	Grease Seal Location	Grease Seal Number
-----------------	------------------	-------------------	--------------------	------------------	------------------	----------------------	--------------------

Ford

1							
From Ser. F90001 w/1.375" Outer Cone I.D.		27438		BR3778/ BR3720	BR25877/ BR25820	Inner	27430
From Ser. F90001 w/1.437" Outer Cone I.D.		27438		BR3778/ BR3720	BR25880/ BR25820	Inner	27430
Thru Ser. F90000				BR25590/ BR25520	LM67048/ LM67010 ▲BR6	Inner	22483
2							
From Ser. W40001 w/Air Brks.	34971	34975		BR45284/ BR45220 ▲SET410	BR3585/ BR3525	Inner	34980
Thru Ser. W40000 w/Hyd. Brks.		28832		BR45284/ BR45220 ▲SET410	BR25877/ BR25820	Inner	28830
3							
.....		28832		BR45284/ BR45220 ▲SET410	BR25880/ BR25820	Inner	28830
4							
.....	34971	34975		BR39581/ BR39520 BR45284/ BR45220 ▲SET410	BR3585/ BR3525	Inner	34980
5							
4.557" Seal O.D.	34971	34975		BR39581/ BR39520	BR3585/ BR3525	Inner	34980
4.847" Seal O.D.	35058	35066 or 35072 ⁵	35103	BR39581/ BR39520	BR3585/ BR3525	Inner	35062
6							
.....	35058	35066 or 35072 ⁵	35103	HM212047/ HM212011 ▲SET412	BR3782/ BR3720 ▲SET406	Inner	35062
7							
Exc. Dayton Whls. w/10 Stud Disc Whls.	35058	35066 or 35072 ⁵	35103	HM212047/ HM212011 ▲SET412	BR3782/ BR3720 ▲SET406	Inner	35062
Exc. Gunite w/15" x 4" Brks w/20" Spoke Whls.	35058	35066 or 35072 ⁵	35103	HM212047/ HM212011 ▲SET412	BR3782/ BR3720 ▲SET406	Inner	35062

For in-text symbols, see page 6.

Mfr Line Number	Scotseal® PlusXL	Scotseal® Classic	Scotseal® Longlife	Inner (Cone/Cup)	Outer (Cone/Cup)	Grease Seal Location	Grease Seal Number
Ford (continued)							
Dayton 15" x 4" Brks. w/10 Stud Whls.	35058	35066 or 35072 ⁵	35103		BR3782/ BR3720 ▲SET406	Inner	35062
Gunite 15" x 4" Brks. w/10 Stud Disc Whls.	35058	35066 or 35072 ⁵	35103		BR3782/ BR3720 ▲SET406	Inner	35062
8				BR25590/ BR25520	14125-A/ BR14274	Inner	22483
9 Exc. Air Brks., Hyd. Brks., Cargo Brks., w/20" Spoke Whls.	34971	34975		BR39581/ BR39520	BR3585/ BR3525		
w/o Gunite 15" X 4" Brks & 20" Spoke Whls.	34971	34975		BR39581/ BR39520	BR3585/ BR3525		
Air Brks.	34971	34975		BR39581/ BR39520	BR3585/ BR3525	Inner	34980
w/o Gunite 15" X 4" Brks & 20" Spoke Whls.						Inner	34980
Hyd. Brks.	35058	35066 or 35072 ⁵	35103	BR39581/ BR39520	BR3585/ BR3525	Inner	34980
15" X 4" Cargo Brks.				HM212047/ HM212011 ▲SET412			
10 w/o Air Brks., Hyd. Brks. & Cargo Brks.	35058	35066	35103	BR39581/ BR39520	BR3585/ BR3525	Inner	35062
4.557" Seal O.D. w/Air Brks...	34971	34975		BR39581/ BR39520	BR3585/ BR3525	Inner	34980
4.854" Seal O.D. w/Hyd. Brks	35058	35066 or 35072 ⁵	35103	BR39581/ BR39520	BR3585/ BR3525	Inner	34980
15" X 4" Cargo Brks.				HM212047/ HM212011 ▲SET412			
11		28820		BR45284/ BR45220 ▲SET410	BR25880/ BR25820	Inner	28828
12		39380		BR6389/ BR6320	BR537/ 532-A	Inner	40036
13 w/o C.P.S.	35058	35066 or 35072 ⁵	35103	HM212047/ HM212011 ▲SET412	BR3782/ BR3720 ▲SET406	Inner	35062
w/C.P.S.		48796		756-A/ BR752	HM212047/ HM212011 ▲SET412	Inner	48886
14		28820		BR45284/ BR45220 ▲SET410	BR25880/ BR25820	Inner	28828

APPLICATIONS

TRAILER, TAG & PUSH AXLES

FRONT AXLES

DRIVE AXLES

PINION SEALS

CONMET®

LIGHT TRUCK

Mfr Line Number	Scotseal® PlusXL	Scotseal® Classic	Scotseal® Longlife	Inner (Cone/Cup)	Outer (Cone/Cup)	Grease Seal Location	Grease Seal Number
Ford (continued)							
15		28820		BR45284/ BR45220 ▲SET410	BR25880/ BR25820	Inner	28828
16 2.875" Shaft		28820		BR45284/ BR45220 ▲SET410	BR2780/ BR2720		
3.500" Shaft	35058	35066	35103	BR39581/ BR39520	BR3525/ BR3585		
17 3.438" Outer Cup O. D.	43761	43764		6461-A/ BR6420 ▲SET423	555-S/ 552-A ▲SET424		
4.875" Outer Cup O. D.	43761	43764		6461-A/ BR6420 ▲SET423	BR3979/ BR3920		
18	35058	35066	35103	HM212044/ HM212011	BR3782/ BR3720 ▲SET406		
19				BR39590/ BR39520 ▲SET408	BR3872/ BR382	Inner	36186
20	35058	35066	35103	HM212047/ HM212011 ▲SET412	BR3782/ BR3720 ▲SET406	Inner	34885
21	43761	43764		6461-A/ BR6420 ▲SET423	555-S/ 552-A ▲SET424		
22		28832		BR45284/ BR45220 ▲SET410	BR25877/ BR25820		
23	34971	34975		BR39581/ BR39520	BR3585/ BR3525		
24	35058	35066	35103	HM212049/ HM212011 ▲SET413	BR3782/ BR3720 ▲SET406	Inner	34885
25	34971	34975		BR39581/ BR39520	BR3585/ BR3525		
w/2.875 Shoulder		28832		BR45284/ BR45220 ▲SET410	BR2780/ BR2720		
w/3.500 Shoulder	35058	35066	35103	BR45284/ BR45220 ▲SET410	BR25880/ BR25820		
26				BR3778/ BR3720			

For in-text symbols, see page 6.

Mfr Line Number	Scotseal® PlusXL	Scotseal® Classic	Scotseal® Longlife	Inner (Cone/Cup)	Outer (Cone/Cup)	Location	Grease Seal Number
Ford (continued)							
27				BR45284/ BR45220 ▲SET410	BR25880/ BR3525		
28	35058	35066	35103	HM212047/ HM212011 ▲SET412	BR3782/ BR3720 ▲SET406		
	35058	35066	35103	HM212049/ HM212011 ▲SET413	BR3782/ BR3720 ▲SET406		
29				LM102949/ LM102910 ▲BR50	BR15101/ BR15245		
30					BR45284/ BR45220 ▲SET410		

Ford (School Bus) Axle Model Index

Model	Line No.	Model	Line No.	Model	Line No.	Model	Line No.
1 (1970/76 & 1978)	1	B (1964)	5	G	5	U (Thru 1964)	1
2 (1970)	1	B (1968)	1	J (1970/76, 1980)	1	V (1978)	1
3 (1970/78)	2	C (1978)	2	K (1970)	1	V (1982)	2
4 (1970)	3	C (Thru 1969)	1	L (1969)	1	W (1978)	2
4 (1970/74)	2	D (1977)	3	L (1970)	2	X (1978)	3
5 (1970)	3	D (1978)	2	M (1970)	3	Y (1978)	1
5 (1970/74)	2	E (1964/65)	1	M (1970-74)	2		
7 (After 4/92)	4	E (1965/69)	3	N (1973)	3		
7 (Before 3/92)	5	E (1977)	3	N (1973)	6		
8 (1982)	2	E (1977)	6	O (1978)	3		
A (1978)	1	F (1957/64)	3	P	5		

Mfr Line Number	Scotseal® PlusXL	Scotseal® Classic	Scotseal® Longlife	Inner (Cone/Cup)	Outer (Cone/Cup)	Location	Grease Seal Number
Ford (School Bus)							
1				BR3778/ BR3720			
2				BR45284/ BR45220 ▲SET410	BR25880/ BR25820		
3	34971	34975		BR39581/ BR39520	BR3585/ BR3525		
4	35058	35066	35103	HM212049/ HM212011 ▲SET413	BR3782/ BR3720 ▲SET406		
5	35058	35066	35103	HM212047/ HM212011 ▲SET412	BR3782/ BR3720 ▲SET406		

Mfr Line Number	Scotseal® PlusXL	Scotseal® Classic	Scotseal® Longlife	Inner (Cone/Cup)	Outer (Cone/Cup)	Grease Seal Location	Grease Seal Number
Ford (School Bus) (continued)							
6	34971	34975		BR45284/ BR45220 ▲SET410	BR25880/ BR25820		

Freightliner - See Axle Mfr.

GMC Axle Model Index

Model	Capacity	Line No.	Model	Capacity	Line No.	Model	Capacity	Line No.
585F		12	FD070	7000 lbs.	1	FL901	16000 lbs.	15
586F		12	FD931	9000 lbs.	17	FL931	16000 lbs.	15
F040	4000 lbs.	3	FE900	11000 lbs.	11	FL941	18000 lbs.	15
F045	4500 lbs.	4	FE921	11000 lbs.	16	FS110		18
F047	4700 lbs.	4	FE970	11000 lbs.	12	FS7 (AIR)	12000 lbs.	27
F050	5000 lbs.	5	FF901	16000 lbs.	16	FS7 (HYDRAULIC)	12000 lbs.	26
F055	5500 lbs.	5	FF921	12000 lbs.	16	IFS030	3000 lbs.	10
F070	7000 lbs.	6	FF931	12000 lbs.	10	IFS035	3500 lbs.	10
F070D	7000 lbs.	6	FF941	12000 lbs.	10	IFS050	5000 lbs.	11
F090	9000 lbs.	7	FF971	12000 lbs.	13	IFS055	5500 lbs.	11
F110	11000 lbs.	8	FG943	13200 lbs.	23	IFS070	7000 lbs.	6
F120	12000 lbs.	8	FH0	14000 lbs.	20	IFS090	9000 lbs.	7
F120D	12000 lbs.	8	FH070	7000 lbs.	15	IFS110		25
F150	15000 lbs.	9	FH4	16000 lbs.	24	RTS11	9000 lbs.	9
F160	16000 lbs.	9	FHD065	6500 lbs.	2	SD12	12000 lbs.	1
F460		19	FHD070	7000 lbs.	1	SD9	9000 lbs.	1
F462		19	FL1	8000 lbs.	21	W6		22
F464		19	FL3	14500 lbs.	20	W7		19
F466		19	FL4	16000 lbs.	13	W7M		14

Mfr Line Number	Scotseal® PlusXL	Scotseal® Classic	Scotseal® Longlife	Inner (Cone/Cup)	Outer (Cone/Cup)	Grease Seal Location	Grease Seal Number
GMC							
1				BR36690/ BR36620	BR36690/ BR36620	Axle Shaft Seal Kit	18550
2				BR566/ BR563	BR33269/ BR33462	Axle Shaft Inner	16650 25075
3				BR2777/ BR2720	M12649/ M12610 ▲BR3	Inner	21771
				BR25582/ BR25520	M12649/ M12610 ▲BR3		
4				3578-A/ BR3525	15103-S/ BR15243	Inner	25028
				BR25583/ BR25519	15103-S/ BR15243	Inner	24920
				BR3578/ BR3525		Inner	25577

Mfr Line Number	Scotseal® PlusXL	Scotseal® Classic	Scotseal® Longlife	Inner (Cone/Cup)	Outer (Cone/Cup)	Grease Seal Location	Grease Seal Number
GMC (continued)							
5				3578-A/ BR3525	15103-S/ BR15243	Inner - 2.500" Shaft Inner - 3.125" Shaft	25028 31203
6 From 1960		31175		BR45284/ BR45220 ▲SET410	BR2796/ BR2720	Inner	31203
Thru 1959 Exc. P35					BR2793/ BR2720	Inner	31158
Thru 1959 w/P35						Inner	31158
7 From 1960		32470		BR39581/ BR39520	BR26878/ BR26820	Inner Exc. IFS90	32477
Thru 1959 w/Chev. Axle ...	35058	35066 or 35072 ⁵ 32470	35103	BR39581/ BR39520	BR26878/ BR26820	Inner - IFS90	32510
Thru 1959 w/GMC Axle						Inner	32540
8 From 1985		36358		HM212047/ HM212011 ▲SET412	BR45282/ BR45220		
From 1966 Thru 1984		36285		HM212047/ HM212011 ▲SET412	BR45282/ BR45220	Inner	36282
Thru 1965		36285		HM212047/ HM212011 ▲SET412	BR3779/ BR3720	Inner	36282
9		40040		6386-A/ BR6320	BR537/ 532-A	Inner	40036
10 From 1963				BR2777/ BR2720	M12649/ M12610 ▲BR3	Inner	21771
From 1960 Thru 1962 Exc. P35				B48 B44	B47 B47	Inner Inner - 2.063"	20965
From 1960 Thru 1962 w/P35..						Shaft	20669
Thru 1959				B44	B47	Inner - 2.063" Shaft	20669
11				BR25582/ BR25519	15103-S/ BR15243	Inner	24920
12		32470		BR539/ 532-A		Inner	32540
13	43761	43764		6461-A/ BR6420 ▲SET423	555-S/ 552-A ▲SET424		
14				HM212047/ HM212011 ▲SET412			

APPLICATIONS

TRAILER, TAG & PUSH AXLES

FRONT AXLES

DRIVE AXLES

PINION SEALS

CONMET®

LIGHT TRUCK

Mfr Line Number	Scotseal® PlusXL	Scotseal® Classic	Scotseal® Longlife	Inner (Cone/Cup)	Outer (Cone/Cup)	Grease Seal Location	Grease Seal Number
GMC (continued)							
15		31175		BR45284/ BR45220 ▲SET410	BR2796/ BR2720		
16	35058	35066 or 35072 ⁵	35103	HM212047/ HM212011 ▲SET412	BR3782/ BR3720 ▲SET406		
17	34971	34975		BR39581/ BR39520	BR3585/ BR3525		
18		36285		HM212047/ HM212011 ▲SET412	BR3779/ BR3720		
19				HM212047/ HM212011 ▲SET412			
20				JF7049A/ JF7010	JM205149/ JM205110		
21				JM205149/ JM205110	BR32207		
22					BR44	Inner	28325
23	35058	35066	35103	HM212049/ HM212011 ▲SET413	BR3782/ BR3720 ▲SET406		
24	43761	43764		6461-A/ BR6420 ▲SET423	555-S/ 552-A ▲SET424		
25		36285		HM212047/ HM212011 ▲SET412	BR45282/ BR45220		
26	29480			33212-X	BR33208		
27				JF7049A/ JF7010	JM205110/ JM205149		

GMC (Transit Bus) Axle Model Index

Model	Line No.	Model	Line No.	Model	Line No.	Model	Line No.
68853	1						

For in-text symbols, see page 6.

Mfr Line Number	Scotseal® PlusXL	Scotseal® Classic	Scotseal® Longlife	Inner (Cone/Cup)	Outer (Cone/Cup)	Location	Grease Seal Number
1				BR5760/ BR5735	BR39590/ BR39520 ▲SET408		

GMC Truck Axle Model Index

Model	Line No.	Model	Line No.	Model	Line No.	Model	Line No.
40 Series	3	4500 Series	4	FL1	6	Transmode	1
4100 Series	4	6700 Series	5	FL2	7	W4	2
4400 Series	4	FH033	7	FS7 (Hyd.)	7		

Mfr Line Number	Scotseal® PlusXL	Scotseal® Classic	Scotseal® Longlife	Inner (Cone/Cup)	Outer (Cone/Cup)	Location	Grease Seal Number
1				BR23		Outer	24888
						Inner	25515
2				BR32210	BR32207	Inner	28325
3				B48	B47	Inner	20965
4				B44	B45	Inner - 2.063" Shaft	20669
5					15103-S/ BR15243	Inner	19938
6	23590			JM205149/ JM205110	BR32207		
7	29480				BR32208		

GMC/Chev (School Bus) Axle Model Index

Model	Line No.	Model	Line No.	Model	Line No.	Model	Line No.
F070	1	F090 (Thru 1982)	2	F120D (1985 & UP)	3	FE900 (1960 & UP)	5
F070D	1	F110 (1985 & UP)	3	F120D (Thru 1984)	3	FF932	6
F090 (1982-85)	3	F110 (Thru 1984)	3	F120 (Thru 1984)	3		
F090 (1985 & UP)	3	F120 (1985 & UP)	3	FE900	4		

Mfr Line Number	Scotseal® PlusXL	Scotseal® Classic	Scotseal® Longlife	Inner (Cone/Cup)	Outer (Cone/Cup)	Location	Grease Seal Number
1				BR45284/ BR45220 ▲SET410			
2		32470		BR39581/ BR39520	BR26878/ BR26820		

Mfr Line Number	Scotseal® PlusXL	Scotseal® Classic	Scotseal® Longlife	Inner (Cone/Cup)	Outer (Cone/Cup)	Location	Grease Seal Number
--------------------	---------------------	----------------------	-----------------------	---------------------	---------------------	----------	-----------------------

GMC/Chev (School Bus) (continued)

3				HM212047/ HM212011 ▲SET412	BR45282/ BR45220		
4	35058	35066	35103	557-A/ 553-X	BR3782/ BR3720 ▲SET406		
5	35058	35066	35103	HM212044/ HM212011	BR3782/ BR3720 ▲SET406		
6	35058	35066	35103	HM212049/ HM212011 ▲SET413	BR3782/ BR3720 ▲SET406		

Harnischfeger - See Axle Mfr.

Hayes - See Axle Mfr.

Hendrickson - See Axle Mfr.

Hino Axle Model Index

Model	Line No.	Model	Line No.	Model	Line No.	Model	Line No.
FA141S	1	FB144S	1	FF193S	2	FG223S	2
FA142S	1	FE177S	2	FF194S	2	FG225S	2
FA143S	1	FE194S	2	FF195S	2		
FB142S	1	FE195S	2	FF197S	2		
FB143S	1	FF192S	2	FF198S	2		

Mfr Line Number	Scotseal® PlusXL	Scotseal® Classic	Scotseal® Longlife	Inner (Cone/Cup)	Outer (Cone/Cup)	Location	Grease Seal Number
--------------------	---------------------	----------------------	-----------------------	---------------------	---------------------	----------	-----------------------

Hino

1				BR32210	BR32207	Inner	33070
2						Inner	54330

Ibex - See Axle Mfr.

IHC - See Navistar

Ikarus-Crown (Transit Bus) Axle Model Index

Model	Line No.	Model	Line No.	Model	Line No.	Model	Line No.
A	1	C	1				

Mfr Line Number	Scotseal® PlusXL	Scotseal® Classic	Scotseal® Longlife	Inner (Cone/Cup)	Outer (Cone/Cup)	Location	Grease Seal Number
-----------------	------------------	-------------------	--------------------	------------------	------------------	----------	--------------------

Ikarus-Crown (Transit Bus)

1	43761	43764		6461-A/ BR6420 ▲SET423			
---	-------	-------	--	------------------------------	--	--	--

Isuzu Axle Model Index

Model	Line No.	Model	Line No.	Model	Line No.	Model	Line No.
FRR	3	FTR	1	FVR	5	NRR	3
FSR	4	FTR	5	NPR	2		

Mfr Line Number	Scotseal® PlusXL	Scotseal® Classic	Scotseal® Longlife	Inner (Cone/Cup)	Outer (Cone/Cup)	Location	Grease Seal Number
-----------------	------------------	-------------------	--------------------	------------------	------------------	----------	--------------------

Isuzu

1							Inner 33460
							Inner 28325
2				BR32210	BR32207		Inner 28325
3					BR44		Inner 29520
4	23590			JM205149/ JM205110	BR32207		
5	29480				BR32208		

Iveco Axle Model Index

Model	Line No.	Model	Line No.	Model	Line No.	Model	Line No.
10-14	1	1514AS	1	335T	2	Z120TA	1
110	1	1814	1	340T	2	Z220	1
120TA	1	1816	1	435T	2	Z220T	1
12-11	1	220	1	450T	2	Z230	1
12-12	1	220T	1	Z100	1	Z230T	1
12-14	1	230T	1	Z110	1	Z340T	1
1514	1	23-16	3	Z120	1	Z450T	1

Mfr Line Number	Scotseal® PlusXL	Scotseal® Classic	Scotseal® Longlife	Inner (Cone/Cup)	Outer (Cone/Cup)	Location	Grease Seal Number
-----------------	------------------	-------------------	--------------------	------------------	------------------	----------	--------------------

Iveco

1							Inner 29540 Outer 37025
2							Inner 29540 Inner 29540
3							Inner 29540

Kenworth - See Axle Mfr.

Mack Axle Model Index

Model	Capacity	Line No.	Model	Capacity	Line No.	Model	Capacity	Line No.
A20		23	FA517	9500 lbs.	3	FAN534	9000 lbs.	2
A20H		23	FA518		12	FAN5341	9000 lbs.	2
A30		24	FA519		4	FAN535	10500 lbs.	3
A30H		24	FA522	11000 lbs.	4	FAN5351	10500 lbs.	3
A40		25	FA5221	11000 lbs.	4	FAN537C-		
A40H		25	FA523		4	D	12000 lbs.	19
A40T		25	FA5231	11000 lbs.	4	FAN537C-		
A40X		25	FA532	12000 lbs.	4	W-D	12000 lbs.	19
A50		25	FA5321	12000 lbs.	4	FANL535	10500 lbs.	3
A50H		25	FA534	9000 lbs.	2	FANL5351		3
A50S		26	FA5341	9000 lbs.	2	FAR12	12000 lbs.	16
A50T		25	FA-534C-			FAR95	9500 lbs.	17
A51H		25	W	9000 lbs.	22	FAR-9.5	9500 lbs.	19
A51S		26	FA534W	9000 lbs.	11	FAW-10.5	10500 lbs.	16
A51T		25	FA535	10500 lbs.	3	FAW-12	12000 lbs.	16
A54		25	FA5351	10500 lbs.	3	FAW143	14300 lbs.	16
A54T		25	FA535C	10500 lbs.	3	FAW-14.3	14300 lbs.	16
B20P		23	FA-535C-			FAW14.3	14300 lbs.	19
B30P		24	W	10500 lbs.	11	FAW18	18000 lbs.	15
B30T		24	FA535N		18	FAW20	20000 lbs.	15
B30X		24	FA535W	10500 lbs.	3	FAW535	10500 lbs.	3
B42		26	FA536	10500 lbs.	1	FAW535C		18
B42P		26	FA537	12000 lbs.	1	FAW536	10500 lbs.	1
B42S		26	FA5371	12000 lbs.	1	FAW5361	12000 lbs.	1
B42ST		26	FA-537C-			FAW5361		
B42SX		27	W-D	12000 lbs.	16	C	12000 lbs.	1
B42T		26	FA56		8	FAW536C	10500 lbs.	1
B42X		26	FA561		4	FAW536C-		
B50T		26	FA562		8	W-D	10500 lbs.	19
B60LT		27	FA57		4	FAW536D	10500 lbs.	1
B60X		27	FA571		4	FAW536W	10500 lbs.	1
D30P		25	FA600	16000 lbs.	13	FAW537	12000 lbs.	1
FA-18	18000 lbs.	20	FA6000	16000 lbs.	13	FAW5371	12000 lbs.	1
FA20	20000 lbs.	15	FA6001	16000 lbs.	13	FAW5371		
FA24		8	FA600C	16000 lbs.	13	C	12000 lbs.	1
FA25		9	FA601	16000 lbs.	13	FAW537C	12000 lbs.	1
FA25A		9	FA6011	16000 lbs.	13	FAW-537C		
FA26		21	FA601C	16000 lbs.	13	-D	12000 lbs.	19
FA28		2	FA604	18000 lbs.	7	FAW537D	12000 lbs.	1
FA300		10	FA6041	18000 lbs.	7	FAW537W	12000 lbs.	1
FA301		10	FA6042	18000 lbs.	7	FAW538		1
FA36		2	FA6043	18000 lbs.	7	FAW538C		1
FA37		2	FA6044	18000 lbs.	7	FAW612C		7
FA400		2	FA612	20000 lbs.	13	FAW616	18000 lbs.	7
FA405		2	FA614		7	FAW616D	18000 lbs.	7
FA408		2	FA616	18000 lbs.	7	FAW617	20000 lbs.	7
FA44		2	FA616D	18000 lbs.	7	FAW617C	20000 lbs.	7
FA44A		2	FA617	20000 lbs.	7	FAW617C-		
FA44B		2	FA617C	20000 lbs.	7	D	20000 lbs.	20
FA45		2	FA617D	20000 lbs.	7	FAW617D	20000 lbs.	7
FA45A		2	FA619		7	FAW618	18000 lbs.	7
FA45B		2	FA700	20000 lbs.	14	FAW619	20000 lbs.	7
FA46		8	FA701	20000 lbs.	14	FAW619W	20000 lbs.	7
FA500		2	FA702	20000 lbs.	14	FAWL-12	12000 lbs.	16
FA501		2	FAFW5370		1	H633LT		27
FA505	8000 lbs.	2	FAFW537			H633ST		27
FA5051	8000 lbs.	11	C	12000 lbs.	1	H633T		27
FA507	9500 lbs.	3	FAFW537			H63ST		27
FA5071	9500 lbs.	3	C-D	12000 lbs.	19	H63T		26
FA508		3	FAFW539	12000 lbs.	1	LJ		28
FA509		4	FAL5051	8000 lbs.	2	LJT		28
FA510		4	FAL5071	9500 lbs.	3	LJX		28
FA511	8000 lbs.	2	FAL522	11000 lbs.	4			
FA5111	8000 lbs.	2	FAL5221	11000 lbs.	5			
FA512	9500 lbs.	3	FAL523		4			
FA513		4	FAL532	12000 lbs.	4			
FA5131		4	FAL5321	12000 lbs.	6			
FA514	9500 lbs.	3	FAL535	10500 lbs.	3			
FA5141	9500 lbs.	3	FAN5071	9500 lbs.	3			

For in-text symbols, see page 6.

Mfr Line Number	Scotseal® PlusXL	Scotseal® Classic	Scotseal® Longlife	Inner (Cone/Cup)	Outer (Cone/Cup)	Grease Seal Location	Grease Seal Number
Mack							
1	39979 w/456301	39988 w/455031		HM212049/ HM212011 ▲SET413	BR45280/ BR45220 ▲SET409		
2		31244				Inner	31269
3							
From 1963 w/4.330" Inner Brg. O.D.		36365		BR3982/ BR3920	BR3877/ BR3820	Inner	36364
From 1963 w/4.813" Inner Brg. O.D.		36365		BR559/ 552-A 555-S/ 552-A ▲SET424		Inner	36364
Thru 1962		36365				Inner	36364
4							
From 1969	39979 w/456301	39988 w/455031		BR641/ BR633			
From 1964 Thru 1968	39979 w/456301	39988 w/455031		HM212049/ HM212011 ▲SET413	BR45280/ BR45220 ▲SET409		
Thru 1963	39979 w/456301 or 39979	39988		BR639/ BR633		Inner	39975
5							
	39979 w/456301	39988 w/455031		BR641/ BR633			
6							
	39979 w/456301	39988 w/455031		BR641/ BR633	BR45280/ BR45220 ▲SET409		
7							
4.330" Outer Brg. O.D.	43761	43764		6461-A/ BR6420 ▲SET423	BR3979/ BR3920		
4.813" Outer Brg. O.D.	43761	43764		6461-A/ BR6420 ▲SET423	555-S/ 552-A ▲SET424		
8							
		36365		555-S/ 552-A ▲SET424		Inner	36364
9							
					BR527/ BR522	Inner	39975
10							
					BR2790/ BR2720	Inner	28760

APPLICATIONS
 TRAILER, TAG & PUSHER AXLES
 FRONT AXLES
 DRIVE AXLES
 PINION SEALS
 CONMET®
 LIGHT TRUCK

Mfr Line Number	Scotseal® PlusXL	Scotseal® Classic	Scotseal® Longlife	Inner (Cone/Cup)	Outer (Cone/Cup)	Grease Seal Location	Grease Seal Number
Mack (continued)							
11 From 6/1971 w/2.50" Inner Brg I.D.				BR39585/ BR39520	BR25572/ BR25520		
From 1969 Thru 5/1971					BR25572/ BR25520		
Thru 1968		31244				Inner	31269
12				BR639/ BR633		Inner	39975
13 From 1969		43800		BR5760/ BR5735	BR45287/ BR45220		
Thru 1968		43800		BR6461/ BR6420	BR621/ BR612		
14 Exc. Cast Whls.		43800			BR621/ BR612		
Cast Whls.		43800					
15	43761	43764		6461-A/ BR6420 ▲ SET423	555-S/ 552-A ▲ SET424		
16		38709 w/455031		HM212049/ HM212011 ▲ SET413	BR45280/ BR45220 ▲ SET409		
17 3.375" Outer Cup O.D.		36358		BR3982/ BR3920	BR3877/ BR3820		
4.000" Outer Cup O.D.		36358		BR559/ 552-A			
18		36365		BR3982/ BR3920	BR3877/ BR3820		
19 3.875" Axle Ring O.D.	39979 w/456301	39988 w/456301		HM212049/ HM212011 ▲ SET413	BR45280/ BR45220 ▲ SET409		
.....				HM212049/ HM212011 ▲ SET413	BR45280/ BR25572		
20 Air Over Hyd. Disc Brks.	43761	43764		6461-A/ BR6420 ▲ SET423	BR3979/ BR3920		

For in-text symbols, see page 6.

Mfr Line Number	Scotseal® PlusXL	Scotseal® Classic	Scotseal® Longlife	Inner (Cone/Cup)	Outer (Cone/Cup)	Location	Grease Seal Number
Mack (continued)							
Exc. Air Over Hyd. Disc Brks.					555-S/ 552-A ▲SET424		
21					BR621/ BR612		
22		31244					
23						Inner	27280
24						Inner	28760
25						Inner	31269
26						Inner 4.506" Seal O.D.	31269
						Inner 5.004" Seal O.D.	36363
27						Inner 4.506" Seal O.D.	31269
						Inner 5.004" Seal O.D.	36363
						Inner 5.131" Seal O.D.	39975
						Inner 5.506" Seal O.D.	40049
28						Inner 5.004" Seal O.D.	36363
						Inner 5.131" Seal O.D.	39975

Mack Midliner Axle Model Index

Model	Line No.	Model	Line No.	Model	Line No.	Model	Line No.
MS200	1	MS250	2	MS300	2		

APPLICATIONS

TRAILER, TAG & PUSH AXLES

FRONT AXLES

DRIVE AXLES

PINION SEALS

CONMET®

LIGHT TRUCK

Mfr Line Number	Scotseal® PlusXL	Scotseal® Classic	Scotseal® Longlife	Inner (Cone/Cup)	Outer (Cone/Cup)	Location	Grease Seal Number
-----------------	------------------	-------------------	--------------------	------------------	------------------	----------	--------------------

Mack Midliner

1				BR33211	BR32208	Inner	37015
2				BR33211	BR32208	Inner	37015
				BR33214	BR33210		

Magirus Axle Model Index

Model	Line No.	Model	Line No.	Model	Line No.	Model	Line No.
13000 lbs.	1						

Mfr Line Number	Scotseal® PlusXL	Scotseal® Classic	Scotseal® Longlife	Inner (Cone/Cup)	Outer (Cone/Cup)	Location	Grease Seal Number
-----------------	------------------	-------------------	--------------------	------------------	------------------	----------	--------------------

Magirus

1	46300	46305	46308	JM719149/ JM719113			
---	-------	-------	-------	-----------------------	--	--	--

Magirus Deutz - See Magirus

Marmon-Herrington Axle Model Index

Model	Line No.	Model	Line No.	Model	Line No.	Model	Line No.
C6M5	1	DSD800-6	4	M804	2	R4-4	1
C6M6	1	DVL-4	5	M806	2	R5-4	1
CM5	1	LD6-4	6	M904	2	R6-4	1
CM504	1	LD6P-4	6	MH440-4	7	TC40	9
CM6	1	LD7-4	6	MH440-6	7	TC44	9
CM604	1	M104-4	6	MH555-4	4	TC48	9
CM704	2	M254	8	MH555-6	7	TC49	9
CM754	2	M354	8	MH610-4	2	TC50	9
CM756	2	M504	1	MH610A-4	2	V	1
CM804	2	M604	1	MH625-4	4	W	2
CM904	2	M704	4	MH630-4	4		
DSD500-6	3	M754	2	Q	2		
DSD600-6	4	M756	2	R32-4	5		

Mfr Line Number	Scotseal® PlusXL	Scotseal® Classic	Scotseal® Longlife	Inner (Cone/Cup)	Outer (Cone/Cup)	Location	Grease Seal Number
-----------------	------------------	-------------------	--------------------	------------------	------------------	----------	--------------------

Marmon-Herrington

1						Axle Shaft	17746
						Inner	49998
2						Axle Shaft	18916
3						Axle Shaft	19969
4						Axle Shaft	22446
5						Axle Shaft	
						R32-4	13875
						Inner	49998

Mfr Line Number	Scotseal® PlusXL	Scotseal® Classic	Scotseal® Longlife	Inner (Cone/Cup)	Outer (Cone/Cup)	Grease Seal Location	Number
Marmon-Herrington (continued)							
6						Axle Shaft LD7-4, M104	13537
						Axle Shaft LD6-4, LD6P-4	13649
						Inner	39934
7						Axle Shaft	19886
8						Axle Shaft	13875
						Inner - 1301	
						Axle	44968
						Inner - 1475	
						Axle	49998
9						Inner	40078

Mercedes-Benz Axle Model Index

Model	Line No.	Model	Line No.	Model	Line No.	Model	Line No.
L 1013	1	L 1117	3	L 1319	3	LS 1418	5
L 1113	2	L 1316	4	L 1418	4		
L 1116	2	L 1317	3	LS 1316	6		

Mfr Line Number	Scotseal® PlusXL	Scotseal® Classic	Scotseal® Longlife	Inner (Cone/Cup)	Outer (Cone/Cup)	Grease Seal Location	Number
Mercedes-Benz							
1							
					BR32307	Inner	37075
				BR559/ 552-A		Inner	38890
2							
					BR32307	Inner	37075
				BR559/ 552-A	BR32307	Inner	38890
					BR33208	Inner	39120
3							
					BR33208	Inner	39120
4							
				BR559/ 552-A		Inner	38890
					BR33208	Inner	39120
5							
				BR559/ 552-A	BR32307	Inner	38890
6							
				BR559/ 552-A			

Mitsubishi Fuso Axle Model Index

Model	Line No.	Model	Line No.	Model	Line No.	Model	Line No.
FK415	2	FM555	1				

Mfr Line Number	Scotseal® PlusXL	Scotseal® Classic	Scotseal® Longlife	Inner (Cone/Cup)	Outer (Cone/Cup)	Grease Seal Location	Number
1						Inner	51181
2						Inner	40151

Navistar Axle Model Index

Model	Capacity	Line No.	Model	Capacity	Line No.	Model	Capacity	Line No.
002ADA		38	FA184	18000 lbs.	4	FA40	4700 lbs.	3
002ADB		38	FA186	21000 lbs.	4	FA401	13000 lbs.	2
002ADC		39	FA191	16000 lbs.	3	FA41	4700 lbs.	14
002ADD		39	FA192	18000 lbs.	4	FA43	3200 lbs.	2
002ADE		36	FA193	21000 lbs.	4	FA44	3200 lbs.	2
002ADG		36	FA194	18000 lbs.	5	FA45	3000 lbs.	12
002AEA		36	FA195	21000 lbs.	5	FA46	3000 lbs.	13
002ARA		36	FA195	21000 lbs.	5	FA48	4700 lbs.	14
0206	11000 lbs.	11	FA196	21000 lbs.	5	FA5	3200 lbs.	19
0207	11000 lbs.	11	FA20	3500 lbs.	14	FA50	5000 lbs.	20
0213	9000 lbs.	9	FA201	12000 lbs.	10	FA51	7000 lbs.	3
2227		36	FA208	9000 lbs.	9	FA52	7000 lbs.	3
2231		37	FA209	9000 lbs.	9	FA53	7000 lbs.	3
2232		37	FA21	2500 lbs.	1	FA54	7000 lbs.	3
2233		37	FA210	11000 lbs.	11	FA55	7500 lbs.	7
2250		36	FA211	12000 lbs.	10	FA56	5600 lbs.	21
FA1	2500 lbs.	1	FA212	12000 lbs.	10	FA57	9000 lbs.	2
FA10	3200 lbs.	2	FA213	12000 lbs.	10	FA58	6000 lbs.	22
FA100	9000 lbs.	9	FA215	15000 lbs.	10	FA59	9000 lbs.	2
FA101	7500 lbs.	3	FA216	12000 lbs.	10	FA6	3500 lbs.	8
FA102	9000 lbs.	9	FA218	12000 lbs.	10	FA60	6000 lbs.	23
FA103	7500 lbs.	3	FA219	12000 lbs.	10	FA62	3400 lbs.	2
FA104	9000 lbs.	9	FA22		31	FA63	3500 lbs.	2
FA105	9000 lbs.	9	FA223	12000 lbs.	10	FA64	9000 lbs.	24
FA108	9000 lbs.	4	FA224	12000 lbs.	10	FA65	7000 lbs.	25
FA109	9000 lbs.	5	FA225	12000 lbs.	10	FA66	5000 lbs.	23
FA11	2500 lbs.	1	FA226	12000 lbs.	10	FA68	5000 lbs.	23
FA110	11000 lbs.	11	FA227	13200 lbs.	13	FA69	6000 lbs.	26
FA111	11000 lbs.	11	FA228	12000 lbs.	10	FA7	4000 lbs.	8
FA112	11000 lbs.	12	FA229	12000 lbs.	10	FA70	5500 lbs.	23
FA113	11000 lbs.	12	FA231	16000 lbs.	17	FA71	5500 lbs.	27
FA114	12000 lbs.	6	FA231	18000 lbs.	18	FA72	55000 lbs.	23
FA115	11000 lbs.	32	FA232	18000 lbs.	18	FA73	60000 lbs.	7
FA118	9000 lbs.	30	FA232	18000 lbs.	18	FA74	60000 lbs.	7
FA119	12000 lbs.	30	FA233	20000 lbs.	18	FA75	75000 lbs.	7
FA12	3800 lbs.	8	FA233	20000 lbs.	18	FA76	75000 lbs.	7
FA120	15000 lbs.	16	FA234	12000 lbs.	14	FA77	75000 lbs.	7
FA127	10800 lbs.	7	FA238	20000 lbs.	18	FA78	75000 lbs.	24
FA13	2500 lbs.	1	FA239	20000 lbs.	18	FA8	25000 lbs.	1
FA130		10	FA24	2500 lbs.	1	FA80	12000 lbs.	28
FA131		10	FA241	20000 lbs.	18	FA81	75000 lbs.	24
FA132	15000 lbs.	15	FA242	24000 lbs.	17	FA82	12000 lbs.	1
FA133	15000 lbs.	15	FA245	16000 lbs.	17	FA83	12000 lbs.	1
FA134		11	FA248	24000 lbs.	15	FA89	55000 lbs.	28
FA136	16000 lbs.	17	FA25	3500 lbs.	12	FA9	25000 lbs.	1
FA137	16000 lbs.	17	FA250	25000 lbs.	19	FA90	12000 lbs.	29
FA138	16000 lbs.	3	FA28	4000 lbs.	14	FA91	7500 lbs.	28
FA139	12000 lbs.	30	FA3	25000 lbs.	1	FA95	7000 lbs.	1
FA14	2500 lbs.	1	FA30	3500 lbs.	14	FA98	7500 lbs.	28
FA140	14000 lbs.	1	FA309	9000 lbs.	16	FA99	7500 lbs.	28
FA15	2800 lbs.	12	FA329	10500 lbs.	16	FAADA	6000 lbs.	40
FA150	16000 lbs.	17	FA336	12000 lbs.	15	FAADB	8000 lbs.	40
FA16	2800 lbs.	13	FA337	12000 lbs.	15	FAADC	10000 lbs.	40
FA17	2800 lbs.	13	FA338	12000 lbs.	15	FAADD	12000 lbs.	40
FA175	15000 lbs.	3	FA339	12000 lbs.	15	FAADE		33
FA176	15000 lbs.	21	FA340	12000 lbs.	15	FAADG	14000 lbs.	40
FA18	3500 lbs.	12	FA341	10800 lbs.	16	FAADH	16000 lbs.	17
FA180	18000 lbs.	3	FA342	13500 lbs.	15	FAADJ	18000 lbs.	17
FA182	18000 lbs.	18	FA343	12000 lbs.	40	FAADK	20000 lbs.	17
FA183	18000 lbs.	18	FA4	2000 lbs.	18	FAADL	9000 lbs.	40

For in-text symbols, see page 6.

Navistar Axle Model Index (continued)

Model	Capacity	Line No.	Model	Capacity	Line No.	Model	Capacity	Line No.
FAARA	12000 lbs.	40	FAEYB	12000 lbs.	35			
FAERA	21000 lbs.	41	FAEYC	16000 lbs.	35			
FAERC	23000 lbs.	41	FAEYG	12000 lbs.	35			
FAERD	21000 lbs.	41	FAKER	18000 lbs.	41			
FAERE	18000 lbs.	41	FAKRB	18000 lbs.	17			
FAERG	21000 lbs.	41	FF931		34			
FAEYA	16000 lbs.	35	FF941		34			

Mfr Line Number	Scotseal® PlusXL	Scotseal® Classic	Scotseal® Longlife	Inner (Cone/Cup)	Outer (Cone/Cup)	Grease Seal Location	Number
--------------------	---------------------	----------------------	-----------------------	---------------------	---------------------	-------------------------	--------

Navistar

1 1959 Thru 1975 Exc. FA1 w/12" Brks.				LM48548/ LM48510 ▲BR5	M12649/ M12610 ▲BR3	Inner	18050
1959 Thru 1975 FA1 w/12" Brks.				BR14130/ BR14274	BR12580/ BR12520	Inner	18149
2 1959 Thru 1975				BR14130/ BR14274	BR12580/ BR12520	Inner	18149
3	28759	28758		JM207049-A/ JM207010	BR25877/ BR25820	Inner	28745
4	44916	44922		BR641/ BR632	BR28682/ BR28622 ▲SET407	Inner	44920
5 Cast Whls.	45095	45103		BR641/ BR632	BR28682/ BR28622 ▲SET407		
Disc Whls.	44916	44922		BR641/ BR632	BR3979/ BR3920	Inner	44920
6	44916	44922		H715345/ H715311 ▲SET420	BR3979/ BR3920	Inner	44920
7 Cast Whls.	45095	45103		H715345/ H715311 ▲SET420	BR3979/ BR3920		
Disc Whls.	44916	44922		H715345/ H715311 ▲SET420			
8 1.563" Inner Brg. I.D.				BR26881/ BR26823	BR15100/ BR15245	Inner	22468
1.688" Inner Brg. I.D.				BR26884/ BR26823	BR15100/ BR15245	Inner	22468
9 Cast Whls.	45095	45103		H715345/ H715311 ▲SET420	BR28682/ BR28622 ▲SET407		
Disc Whls.	44916	44922		HM212049/ HM212011 ▲SET413	BR28682/ BR28622 ▲SET407	Inner	44920

APPLICATIONS

TRAILER, TAG & PUSH AXLES

FRONT AXLES

DRIVE AXLES

PINION SEALS

CONMET®

LIGHT TRUCK

Mfr Line Number	Scotseal® PlusXL	Scotseal® Classic	Scotseal® Longlife	Inner (Cone/Cup)	Outer (Cone/Cup)	Grease Seal Location	Grease Seal Number
Navistar (continued)							
10 2.625" Inner Brg. I.D.				BR6386/ BR6320			
11				555-S/ 552-A ▲SET424	BR438/ BR432		
12 1.750" Inner Brg. I.D. 1.813" Inner Brg. I.D.				BR18685/ BR18620 BR18690/ BR18620	BR18685/ BR18620 BR18690/ BR18620	Axle Shaft Inner Inner	13165 22468 22468
13				BR37	BR35	Axle Shaft Inner	13165 24904
14 1.563" Inner Brg. I.D. 1.688" Inner Brg. I.D.				BR26881/ BR26823 BR26884/ BR26823	BR1779/ BR1729 BR1779/ BR1729	Inner - (Felt) Inner	515 22371
15	45095	45103		H715345/ H715311 ▲SET420	BR28682/ BR28622 ▲SET407		
16	44916	44922		HM212049/ HM212011 ▲SET413	BR28682/ BR28622 ▲SET407	Inner	44920
17	43761	43764		6461-A/ BR6420 ▲SET423	555-S/ 552-A ▲SET424		
18				BR15123/ BR15245	BR09067/ BR09195	Inner	16520
19				BR17	BR16	Inner	19834
20				BR33275/ BR33472	399-A/ 394-A	Axle Shaft	16816
21				BR47490/ BR47420	395-A/ 394-A		
22				BR469/ 453-X	BR3780/ BR3720	Inner	28275
23				BR3578/ BR3525	BR2689/ BR2620	Inner - (Felt)	662
24				BR566/ BR563	BR33269/ BR33462	Inner	36364

For in-text symbols, see page 6.

Mfr Line Number	Scotseal® PlusXL	Scotseal® Classic	Scotseal® Longlife	Inner (Cone/Cup)	Outer (Cone/Cup)	Grease Seal Location	Grease Seal Number
Navistar (continued)							
25 From Ser. FB11300 and From Ser. SB95444		27438		BR33895/ BR33821	BR3196/ BR3120	Inner - (Felt)	663
Thru Ser. FB11299 and Thru Ser. SB95443		27438		BR33891/ BR33821	BR3196/ BR3120	Inner - (Felt)	663
AM, AMC160, A160				BR26881/ BR26823	BR1779/ BR1729	Inner - (Felt)	515
S170, S1700, S1840				BR3578/ BR3525	BR2689/ BR2620	Inner - (Felt)	662
26				BR3778/ BR3720	BR2689/ BR2620	Inner	28035
27	28759	28758		JM205149-A/ JM205110	BR25877/ BR25820	Inner	28745
28		27438		BR33895/ BR33821	BR3196/ BR3120	Inner - (Felt)	663
29				BR539/ 532-A			
30	44916	44922		H715345/ H715311 ▲SET420	BR3979/ BR3920	Inner	44920
31 1.563" Inner Cone I.D.				BR26881/ BR26823	BR15100/ BR15245	Inner	22468
1.688" Inner Cone I.D.				BR26884/ BR26823	BR3585/ BR3525	Inner	22468
32	35058	35066 or 35072 ⁵	35103	BR39581/ BR39520	BR3585/ BR3525	Inner	35062
33 3.813" Outer Cone O.D. ...	45095	45103		H715345/ H715311 ▲SET420	BR28682/ BR28622 ▲SET407		
4.813" Outer Cone O.D. ...	45095	45103		H715345/ H715311 ▲SET420	555-S/ 552-A ▲SET424		
34 To 10/89	35058	35066	35103	HM212047/ HM212011 ▲SET412	BR3782/ BR3720 ▲SET406		
From 11/89	35058	35066	35103	HM212049/ HM212011 ▲SET413	BR3782/ BR3720 ▲SET406		
35		45162		HM218248/ HM212011	BR42687/ BR42620		
36	35058	35066	35103	HM212049/ HM212011 ▲SET413	BR3782/ BR3720 ▲SET406		

APPLICATIONS

TRAILER, TAG & PUSHER AXLES

FRONT AXLES

DRIVE AXLES

PINION SEALS

CONMET®

LIGHT TRUCK

Mfr Line Number	Scotseal® PlusXL	Scotseal® Classic	Scotseal® Longlife	Inner (Cone/Cup)	Outer (Cone/Cup)	Location	Grease Seal Number
Navistar (continued)							
37	43761	43764		6461-A/ BR6420 ▲SET423			
38	28759	28758		JM205149-A/ JM205110	BR25877/ BR25820		
39	35058	35066	35103	JM205149-A/ JM205110			
40	From 11/1989	35058	35066	35103	HM212049/ HM212011 ▲SET413	BR3782/ BR3720 ▲SET406	
	Thru 10/1989	35058	35066	35103	HM212047/ HM212011 ▲SET412	BR3782/ BR3720 ▲SET406	Inner 35062
41				JM720249/ JM720210	BR52375/ BR52637		

Navistar (School Bus) Axle Model Index

Model	Line No.	Model	Line No.	Model	Line No.	Model	Line No.
FA101	1	FA118	4	FA215	7	FA339	4
FA103	1	FA119	8	FA218	7	FA340	4
FA104	1	FA127	4	FA228	7	FA71	8
FA105	2	FA136	5	FA309	6	FA73	8
FA109 (1979 & up)	4	FA139	4	FA329	6		
FA109 (Up to 1979)	3	FA208	2	FA337	4		

Mfr Line Number	Scotseal® PlusXL	Scotseal® Classic	Scotseal® Longlife	Inner (Cone/Cup)	Outer (Cone/Cup)	Location	Grease Seal Number
Navistar (School Bus)							
1				JM207049/ JM207010	BR28682/ BR28622 ▲SET407		
2	35058	35066	35103	BR39581/ BR39520	BR3585/ BR3525		
3	Thru 1978	44916	44922	BR641/ BR632	BR3979/ BR3920		
	From 1979 S Series w/Cast Whls	45095	45103	BR641/ BR632	BR28682/ BR28622 ▲SET407		
	From 1979 S Series w/Disc Whls	44916	44922	BR641/ BR632	BR3979/ BR3920		
4	Thru 1978	44916	44922	H715345/ H715311 ▲SET420	BR3979/ BR3920		

For in-text symbols, see page 6.

Mfr Line Number	Scotseal® PlusXL	Scotseal® Classic	Scotseal® Longlife	Inner (Cone/Cup)	Outer (Cone/Cup)	Grease Seal Location	Grease Seal Number
Navistar (School Bus) (continued)							
From 1979 S Series w/Cast Whls	45095	45103		H715345/ H715311 ▲SET420	555-S/ 552-A ▲SET424		
From 1979 S Series w/Disc Whls	44916	44922		H715345/ H715311 ▲SET420	BR3979/ BR3920		
5	43761	43764		6461-A/ BR6420 ▲SET423			
6	44916	44922		HM212049/ HM212011 ▲SET413			
7	35058	35066	35103	HM212047/ HM212011 ▲SET412	BR3782/ BR3720 ▲SET406		
8	28759	28758		JM205149-A/ JM205110	BR25877/ BR25820		

Oshkosh Axle Model Index

Model	Line No.	Model	Line No.	Model	Line No.	Model	Line No.
10338-F-5	3	1888-G-4	5	F2044	1	W-212	4
1554-GA-1	5	1916-J	3	F2055	1	W-2200	5
15640-F-1	3	19850-F	3	F2056	1	W-700	3
16800-F	3	2346-F-3	3	H-1700	3	W705	2
1747-J	4	3908-F-2	3	W-1600	5	W-900	5
17896-F	3	F2034	1	W-1700	3	W906-6x6	2

Mfr Line Number	Scotseal® PlusXL	Scotseal® Classic	Scotseal® Longlife	Inner (Cone/Cup)	Outer (Cone/Cup)	Grease Seal Location	Grease Seal Number
Oshkosh							
1						Inner 1511 Axle	53701
2						Axle Shaft W705	22492
						Axle Shaft W909-6X6	25065
						Inner	54972
3				BR687/ BR672 ▲SET499	BR687/ BR672 ▲SET499		
4				BR5760/ BR5735			
5				BR780/ BR772	BR687/ BR672 ▲SET499		

APPLICATIONS

TRAILER, TAG & PUSHER AXLES

FRONT AXLES

DRIVE AXLES

PINION SEALS

CONMET®

LIGHT TRUCK

Peterbilt - See Axle Mfr.

REO - See Axle Mfr.

Rockwell - See ArvinMeritor

Spicer Axle Model Index

Model	Capacity	Line No.	Model	Capacity	Line No.	Model	Capacity	Line No.
24-F	2300 lbs.	14	44-6F	3300 lbs.	12	E1200I	12000 lbs.	7
25-F	2150 lbs.	14	44-6F	3300 lbs.	21	I100S	10000 lbs.	7
27	2500 lbs.	1	44-7F	3800 lbs.	14	I108	10800 lbs.	6
27-AF	2300 lbs.	14	44-8F	3800 lbs.	19	I120	12000 lbs.	9
27-F	2300 lbs.	14	44-9F	3800 lbs.	20	I120S	12000 lbs.	7
28-IFS	2790 lbs.	15	44F	3000 lbs.	13	I140S	14000 lbs.	7
30	2500 lbs.	1	44-FBJ	3300 lbs.	22	I160S	16000 lbs.	26
30-AF	2500 lbs.	16	44-IF	3000 lbs.	14	I180S	18000 lbs.	8
35-IFS	2800 lbs.	15	44-IF-HD	3000 lbs.	17	I200S	20000 lbs.	10
44	3200 lbs.	2	44-IFS	3800 lbs.	20	I50	5000 lbs.	4
44-3CF	3000 lbs.	18	44-IFS-HD	3850 lbs.	20	I60	6000 lbs.	24
44-3CF-HD	3000 lbs.	18	50.5-IFS	4600 lbs.	23	I60S	6000 lbs.	24
44-3F	3000 lbs.	13	60-3F	4500 lbs.	23	I75	7500 lbs.	5
44-5CF-HD	3500 lbs.	17	60-7F	4500 lbs.	23	I80S	8000 lbs.	5
44-5F	3300 lbs.	19	60-F	4500 lbs.	23	I90	9000 lbs.	6
44-6CF	3300 lbs.	12	70	7000 lbs.	3			
44-6CF	3300 lbs.	20	70-F	6000 lbs.	11			
44-6CF-HD	3500 lbs.	17	70-F	6000 lbs.	25			
44-6E	3300 lbs.	21	E1000I	10000 lbs.	7			

Mfr Line Number	Scotseal® PlusXL	Scotseal® Classic	Scotseal® Longlife	Inner (Cone/Cup)	Outer (Cone/Cup)	Grease Seal Location	Number
--------------------	---------------------	----------------------	-----------------------	---------------------	---------------------	-------------------------	--------

Spicer

1 Exc. FA3, FA13 From Ser. No. FC60131 and Ser. No. G165000				BR35	BR35	Axle	
						Shaft	11846
						Inner	21121
Exc. FA3, FA13 Thru Ser. No. FC60130				BR18590/ BR18520	BR18590/ BR18520	Inner	21101
				LM102949/ LM102910	BR35	Inner	23300
				▲BR50			
2 Navistar Exc. FA63				LM102949/ LM102910	BR35	Axle	
				▲BR50		Shaft	13165
						Inner	23300
Navistar FA63				BR18690/ BR18620	LM102949/ LM102910	Axle	
					▲BR50	Shaft	13165
						Inner	24875

For in-text symbols, see page 6.

Mfr Line Number	Scotseal® PlusXL	Scotseal® Classic	Scotseal® Longlife	Inner (Cone/Cup)	Outer (Cone/Cup)	Grease Seal Location	Grease Seal Number
Spicer (continued)							
3 Navistar Exc. FA52				BR469/ 453-X	BR3780/ BR3720	Axle Shaft FA51	16816
Navistar FA52				BR28682/ BR28622 ▲SET407	LM104949/ JLM104910	Inner	28275
4	28759	28758		JM205149-A/ JM205110	BR25877/ BR25820		
5	28759	28758		JM207049-A/ JM207010	BR25877/ BR25820		
6	44916	44922		HM212049/ HM212011 ▲SET413	BR28682/ BR28622 ▲SET407		
7	35058	35066 or 35072 ⁵	35103	HM212049/ HM212011 ▲SET413	BR3782/ BR3720 ▲SET406		
8	28759	28758		HM212049/ HM212011 ▲SET413	BR28682/ BR28622 ▲SET407		
9	45095	45103		H715345/ H715311 ▲SET420	BR28682/ BR28622 ▲SET407		
10				6461-A/ BR6420 ▲SET423	BR3782/ BR3720 ▲SET406		
11				BR469/ 453-X			
12				BR37	BR35	Inner	24917
13				BR18685/ BR18620	BR18685/ BR18620	Inner	22468
14 1962-1946				BR18590/ BR18520	BR18590/ BR18520	Inner	21101
1973-1963				BR35	BR35	Inner	21159
15				BR35	BR35	Inner	21400
16 Ford 1969-71				BR37	BR35	Inner	24914

APPLICATIONS

TRAILER, TAG & PUSH AXLES

FRONT AXLES

DRIVE AXLES

PINION SEALS

CONMET®

LIGHT TRUCK

Mfr Line Number	Scotseal® PlusXL	Scotseal® Classic	Scotseal® Longlife	Inner (Cone/Cup)	Outer (Cone/Cup)	Grease Seal Location	Grease Seal Number
Spicer (continued)							
1976-1974 Jeep				BR35	BR35	Inner	21159
Jeep 1977-86				LM102949/ LM102910 ▲ BR50	BR35	Inner	23300
Jeep 1987-89						Inner	28646
17				368-A/ 382-A	BR35	Inner	25075
18				BR37	BR35	Inner	24904
19				LM104949/ JLM104910	BR35	Inner	24910
20 1986-1980				BR37	BR35	Inner	24914
1988-1987 Auto. Locking Hub				BR37	BR35	Inner	24914
1988-1987 Man. Locking Hub				LM104949/ LM104911 ▲ BR38	LM104949/ LM104911 ▲ BR38	Inner	26747
1994-1989				BR37	BR35	Inner	24914
1996-1995				BR35	BR35	Inner	23276
21				BR37	BR35	Inner	24914
22 1979-1975				BR35		Inner	26153
1985-1980 Locking Hub				BR35		Inner	24898
1985-1980 Non-Locking Hub				BR35		Inner	26153
1993-1986				BR35		Inner	24914
23				387-A/ 382-A	LM104949/ LM104911 ▲ BR38	Inner	27471
24	28759	28758		JM205149-A/ JM205110	BR25877/ BR25820		
25 1968-1958				BR469/ 453-X	BR28580/ BR28521	Inner	28276
1974-1969				387-A/ 382-A		Inner	28276
26	43761	43764		6461-A/ BR6420 ▲ SET423	555-S/ 552-A ▲ SET424		

Sterling Truck Axle Model Index

Model	Line No.	Model	Line No.	Model	Line No.	Model	Line No.
DD150	1	DDS150	1	HB1204	2	HG1204	2
DDS135	1	HA1204	2	HB1904	1		
DDS145	1	HA1304	2	HB2254	1		

Mfr Line Number	Scotseal® PlusXL	Scotseal® Classic	Scotseal® Longlife	Inner (Cone/Cup)	Outer (Cone/Cup)	Grease Seal Location	Number
--------------------	---------------------	----------------------	-----------------------	---------------------	---------------------	-------------------------	--------

Sterling Truck

1						Axle Shaft DDS150, DD150	22446
						Axle Shaft Exc. DDS150, DD150	25043
2						Axle Shaft	19886

Twin Coach Truck Axle Model Index

Model	Line No.	Model	Line No.	Model	Line No.	Model	Line No.
34S	1	38S	1	44GTT	1	45S	1
34SW	1	40GTT	1	44R	1	50S	1
35G	1	40R	1	44S	1	52S	1
35R	1	41S	1	44TT	1	52S2	1
35S	1	44D	1	44TTW	1	58D	1

Mfr Line Number	Scotseal® PlusXL	Scotseal® Classic	Scotseal® Longlife	Inner (Cone/Cup)	Outer (Cone/Cup)	Grease Seal Location	Number
--------------------	---------------------	----------------------	-----------------------	---------------------	---------------------	-------------------------	--------

Twin Coach Truck

1						Inner	40078
---	--	--	--	--	--	-------------	-------

United Diesel - See Nissan

Volvo Axle Model Index

Model	Line No.	Model	Line No.	Model	Line No.	Model	Line No.
B58 BUS	5	F610	1	F86	5	N7	5
B59 BUS	5	F611	2	F88	5		
F10	5	F612	2	F89	5		
F12	5	F613	2	FA75	4		
F607	1	F614	2	FT6	5		
F609	1	F615	3	N12	5		

Mfr Line Number	Scotseal® PlusXL	Scotseal® Classic	Scotseal® Longlife	Inner (Cone/Cup)	Outer (Cone/Cup)	Grease Seal Location	Number
--------------------	---------------------	----------------------	-----------------------	---------------------	---------------------	-------------------------	--------

Volvo

1				BR32210	BR32207	Inner F609	33425
2				JM207049/ JM207010 BR32211	BR32208		
3				HM212044/ HM212011	JM205149/ JM205110		

APPLICATIONS

TRAILER, TAG & PUSH AXLES

FRONT AXLES

DRIVE AXLES

PINION SEALS

CONMET®

LIGHT TRUCK

Mfr Line Number	Scotseal® PlusXL	Scotseal® Classic	Scotseal® Longlife	Inner (Cone/Cup)	Outer (Cone/Cup)	Grease Seal Location	Number
--------------------	---------------------	----------------------	-----------------------	---------------------	---------------------	-------------------------	--------

Volvo (continued)

4	39426						
5				BR6386/ BR6320	BR663/ BR653 ▲SET405		

Volvo/GMC - See Axle Mfr.

Walter Equip. - See Axle Mfr.

Ward LaFrance Axle Model Index

Model	Line No.	Model	Line No.	Model	Line No.	Model	Line No.
FD1	1	FD2	1				

Mfr Line Number	Scotseal® PlusXL	Scotseal® Classic	Scotseal® Longlife	Inner (Cone/Cup)	Outer (Cone/Cup)	Grease Seal Location	Number
--------------------	---------------------	----------------------	-----------------------	---------------------	---------------------	-------------------------	--------

Ward LaFrance

1						Axle Shaft	22446
---	--	--	--	--	--	------------	-------

Western Star - See Axle Mfr.

Westport Axle Model Index

Model	Line No.	Model	Line No.	Model	Line No.	Model	Line No.
F3W-1200	1	F3W-1400	1	F6W-1200	1	F6W-1400	1

Mfr Line Number	Scotseal® PlusXL	Scotseal® Classic	Scotseal® Longlife	Inner (Cone/Cup)	Outer (Cone/Cup)	Grease Seal Location	Number
--------------------	---------------------	----------------------	-----------------------	---------------------	---------------------	-------------------------	--------

Westport

1	35058	35066	35103	HM212047/ HM212011 ▲SET412	BR3782/ BR3720 ▲SET406		
---	-------	-------	-------	----------------------------------	------------------------------	--	--

White Axle Model Index

Model	Capacity	Line No.	Model	Capacity	Line No.	Model	Capacity	Line No.
10000	10000 lbs.	1	123D		5	60D		1
106D		1	124D		1	60DF		1
107D		1	125D		3	64D		7
108D		3	126D		3	64DB		7
109D		3	127D		3	64DD		7
110D		3	12D	15000 lbs.	6	740		5
111D		3	14000	14000 lbs.	3	74D		5
114D		5	160		5	79D	15000 lbs.	6
115D		5	16D		5	8000	8000 lbs.	5
115DL		5	230		5	81D	11000 lbs.	2
116D		3	23D		5	82D	9000 lbs.	8
116DL		3	24D		1	86D		11
116DX		3	30D		5	90D	16000 lbs.	9
119D		1	39D		5	F3-100	10000 lbs.	1
12000	12000 lbs.	3	40D		1	F3-120	12000 lbs.	3
121D		3	58D		5	F3-140	14000 lbs.	3
122D		3	59D		1	F3-8	8000 lbs.	5

For in-text symbols, see page 6.

White Axle Model Index (continued)

Model	Capacity	Line No.	Model	Capacity	Line No.	Model	Capacity	Line No.
F3-80	8000 lbs.	5	F5-75	7500 lbs.	5	F6W-141	14000 lbs.	4
F3W-100	10000 lbs.	1	F5-80	8000 lbs.	5	FF931 (9/81 & Later)		12
F3W-108	10000 lbs.	2	F5W-100	10000 lbs.	1	FF933 (9/81 & Later)		12
F3W-120	12000 lbs.	3	F5W-120	12000 lbs.	3	FG933 (9/81 & Later)		12
F3W-1200	12000 lbs.	4	F5W-140	14000 lbs.	3	FL931		10
F3W-125	12500 lbs.	4	F5W-80	8000 lbs.	5	FL933		10
F3W-140	14000 lbs.	3	F6W-100	10000 lbs.	1			
F3W-1400	14000 lbs.	4	F6W-108	10000 lbs.	2			
F3W-141	14000 lbs.	4	F6W-120	12000 lbs.	3			
F3W-80	8000 lbs.	5	F6W-1200	12000 lbs.	4			
F5-100	10000 lbs.	1	F6W-125	12500 lbs.	4			
F5-120	12000 lbs.	3	F6W-140	14000 lbs.	3			
F5-140	14000 lbs.	3	F6W-1400	14000 lbs.	4			

Mfr Line Number	Scotseal® PlusXL	Scotseal® Classic	Scotseal® Longlife	Inner (Cone/Cup)	Outer (Cone/Cup)	Grease Seal Location	Number
--------------------	---------------------	----------------------	-----------------------	---------------------	---------------------	-------------------------	--------

White

1		35060		HM212046/ HM212011		Inner - 4.254" O.D. 31227 Inner - 5.004" O.D. 31955	
2 From 1959	35058	35066 or 35072 ⁵	35103	HM212044/ HM212011	BR3782/ BR3720 ▲SET406	Inner 35062	
Thru 1958	35058	35066 or 35072 ⁵	35103	557-A/ 553-X	BR3782/ BR3720 ▲SET406	Inner 35062	
3		36285		HM212049/ HM212011 ▲SET413	BR3782/ BR3720 ▲SET406	Inner 37532	
4 .14" Cone Front Face Radius.	35058	35066 or 35072 ⁵	35103	HM212049/ HM212011 ▲SET413	BR3782/ BR3720 ▲SET406		
.28" Cone Front Face Radius.	35058	35066 or 35072 ⁵	35103	HM212049-X/ HM212011 ▲SET439	BR3782/ BR3720 ▲SET406		
5		31244		532-A/ BR539		Inner 32501	
6 .17" Cone Front Face Radius.		39380		BR6386/ BR6320	BR537/ 532-A	Inner Seal Kit 1321	
.25" Cone Front Face Radius.		39380		BR6389/ BR6320	BR537/ 532-A	Inner Seal Kit 1321	
7				BR3578/ BR3525	BR2689/ BR2631	Inner 22565	
8	35058	35066 or 35072 ⁵	35103	BR39581/ BR39520	BR3585/ BR3525	Inner 35062	
9 4.330" Outer Brg. O.D.	43761	43764		6461-A/ BR6420 ▲SET423	BR3979/ BR3920	Inner 43762	

APPLICATIONS

TRAILER, TAG & PUSH AXLES

FRONT AXLES

DRIVE AXLES

PINION SEALS

CONMET®

LIGHT TRUCK

Mfr Line Number	Scotseal® PlusXL	Scotseal® Classic	Scotseal® Longlife	Inner (Cone/Cup)	Outer (Cone/Cup)	Grease Seal Location	Grease Seal Number
White (continued)							
4.813" Outer Brg. O.D.	43761	43764		6461-A/ BR6420 ▲SET423	555-S/ 552-A ▲SET424	Inner	43762
10	43761	43764		6461-A/ BR6420 ▲SET423	555-S/ 552-A ▲SET424		
11				BR3778/ BR3720	BR2790/ BR2720		
12	35058	35066	35103	HM212047/ HM212011 ▲SET412	BR3782/ BR3720 ▲SET406		

ACF Axle Model Index

Model	Line No.	Model	Line No.	Model	Line No.	Model	Line No.
26S	8	37PBS	4	C40	3	IC37	2
26U	8	41S	2	C44	4	IC41	2
29P	9	45S	4	C48	5	IC41A	2
29PB	9	C27	1	C51	5	P372	3
31S	10	C27B	1	H16	6	SU37	1
37P	6	C31	1	H16S	6	TC44	7
37PA	6	C31B	1	H16SE	6		
37PB	6	C36	2	H9	6		

Mfr Line Number	Scotseal® PlusXL	Scotseal® Classic	Scotseal® Longlife	Inner (Cone/Cup)	Outer (Cone/Cup)	Grease Seal Location	Number
--------------------	---------------------	----------------------	-----------------------	---------------------	---------------------	-------------------------	--------

ACF

1						Outer Seal Kit	25160
						Inner	39385
2						Axle Shaft - C36	22492
						Axle Shaft	
						IC41	23152
						Inner	46200
3		42800					
4						Axle Shaft - C44	23152
						Inner	45140
5						Inner Seal Kit	
						4.766" Shaft	1211
						Outer Seal Kit	31378
						Inner Seal Kit	
						4.824" Shaft	54930
6						Axle Shaft	23152
7						Axle Shaft	24931
						Inner	54972
8						Inner	31284
9	40129	40136					
10						Axle Shaft	15039

Aerocoach Axle Model Index

Model	Line No.	Model	Line No.	Model	Line No.	Model	Line No.
373	2	P37	1	P411	3	T361	2
P29	1	P372	3	P45-37	1	T451	3
P33	1	P373	3	P46-37	1		

APPLICATIONS

TRAILER, TAG & PUSH AXLES

FRONT AXLES

DRIVE AXLES

PINION SEALS

CONMET®

LIGHT TRUCK

Mfr Line Number	Scotseal® PlusXL	Scotseal® Classic	Scotseal® Longlife	Inner (Cone/Cup)	Outer (Cone/Cup)	Grease Seal Location	Grease Seal Number
Aerocoach							
1						Axle Shaft	18733
2		42800					
3						Inner Seal Kit 4.766" Shaft	1211
						Outer Seal Kit	31378
						Inner Seal Kit 4.824" Shaft	54930

American LaFrance - See Axle Mfr.

ArvinMeritor Standard Axle Model Index

Model	Capacity	Line No.	Model	Capacity	Line No.	Model	Capacity	Line No.
1337		54	53511		84	54623	9500 lbs.	79
1347		54	53512		84	55411		14
1357		54	53512H		43	55417		79
16140	16000 lbs.	75	53521		5	55417H		14
16-140	16000 lbs.	112	53526		5	55600W		58
16141	16000 lbs.	76	53543	9500 lbs.	5	56334		3
16-141	16000 lbs.	107	53547		5	56400		44
17145	17000 lbs.	76	53554	9500 lbs.	84	56401		45
17-145	17000 lbs.	107	53560		84	56410		45
1737		54	53560H	9500 lbs.	5	56411		45
1757		54	53565		5	56412		44
1758		54	53566		5	56413		44
19145	19000 lbs.	51	53567		84	56427		44
19-145	19000 lbs.	86	53567H		43	56429		90
20140	20000 lbs.	51	53581TW		5	56429P		45
20-140	20000 lbs.	86	53586	9500 lbs.	84	56430		45
20145	20000 lbs.	51	53586H	9500 lbs.	5	56431		93
20-145	20000 lbs.	86	53587	9500 lbs.	5	56431P		44
21230	21000 lbs.	51	53588		84	56432		45
21-230	21000 lbs.	86	53588TW	9500 lbs.	5	56433		93
23161	23000 lbs.	51	53589		84	56433P		44
23-161	23000 lbs.	86	53589W		5	56450		44
23380	23000 lbs.	51	53591		5	56451		44
23-380	23000 lbs.	86	53595	9500 lbs.	5	56460		44
26180	26000 lbs.	51	53596	9500 lbs.	84	56461		44
26-180	26000 lbs.	86	53599		84	56462		45
30-180	30000 lbs.	91	53599W	9500 lbs.	5	56463		45
30-380	30000 lbs.	91	53619	9500 lbs.	84	56466		45
34140	34000 lbs.	78	53620	9500 lbs.	92	56467		45
34-140	34000 lbs.	107	53620H		43	56468		45
38380	38000 lbs.	52	53622		43	56615		80
38-380	38000 lbs.	95	53622H		43	57450		59
40140	40000 lbs.	12	53622N		43	57450W		102
40-140	40000 lbs.	108	53623		43	57452		59
51524	5000 lbs.	99	53624		43	57452W		102
51524N		55	53625		43	57453		57
51525	5000 lbs.	99	53626		43	57453W		113
51525H		55	53659		92	57454		60
51540N		55	53659N		43	57454W		100
52160	46000 lbs.	51	53660		92	57455		60
52-160	46000 lbs.	86	53660H		43	57455W		101
52160P	52000 lbs.	51	53661		43	57460		60
52-160P	52000 lbs.	86	53662		43	57460W		100
53300	9500 lbs.	84	54350	9500 lbs.	84	57461		60
53301	9500 lbs.	84	54411		84	57461W		101
53308		84	54411H	9500 lbs.	5	57464W		81
53308H		5	54412	9500 lbs.	5	57600W		60
53411		84	54419		5	57602W		60
53411H		5	54430		84	57620W		81
53440	9500 lbs.	5	54430TW	9500 lbs.	5	57621W		60

For in-text symbols, see page 6.

ArvinMeritor Standard Axle Model Index (continued)

Model	Capacity	Line No.	Model	Capacity	Line No.	Model	Capacity	Line No.
58-180	58000 lbs.	91	65356		7	93548		98
58180		91	65357		7	93548N		5
58256W		94	65450		7	93558N		5
58267		7	65451		7	93558N		5
58267W		94	65456		85	94427H		5
58268		7	65456P		7	94427H		5
58269		94	65457		85	94440		5
58269W		61	65457P		7	94441H		5
58283		94	65743		42	94610		80
58283W		62	66714		9	95700		14
58285		62	66714W		89	96411		80
58285W		62	66715		9	96710		45
58300		47	66743		9	96711		45
58301		47	66766		9	98415		62
58304		47	66767		9	B100	7200 lbs.	2
58305		47	66782		9	B1055		3
58307		47	66783		9	B140	7200 lbs.	2
58308		47	70-380	70000 lbs.	95	B155		4
58351W		56	72301		47	B760		5
58352		56	72303		47	BH150		1
58-380	58000 lbs.	91	74881		47	Bus Tag		104
58380		91	74882		47	C100	11000 lbs.	5
58415		62	75350		7	D100	13000 lbs.	5
58416		62	75351		7	D140	13000 lbs.	5
58433		63	75356		7	D3020	13000 lbs.	7
58434		63	75357		7	D3025	13000 lbs.	7
58435		63	7573		66	D436	13000 lbs.	9
58450		59	7574		66	D450	13000 lbs.	8
58450W		102	75743		42	D451	13000 lbs.	8
58455		57	75746		96	D460	13000 lbs.	8
58458		57	75746W		42	D4600	13000 lbs.	8
58459		57	7575		66	D461	13000 lbs.	8
58460W		64	7576		66	D462	13000 lbs.	9
58461W		64	75764		96	D4640	13000 lbs.	8
58464W		64	75764W		42	D472	13000 lbs.	10
58470W		64	75768		96	D473	13000 lbs.	10
58471W		64	75768W		42	DBB1300		105
58473W		64	75769		96	DD3025		7
58475W		64	75769W		42	DD4600		8
58490W		64	7578		66	DD4640		8
58600W		64	75780		96	DH		6
58620W		64	75780W		42	DHD		6
58700		102	7579		66	E100	13000 lbs.	5
58720		102	7581		66	E100DH	13000 lbs.	84
58720W		41	7582		66	E100DPH	13000 lbs.	84
58822W		64	76410		45	E100H	13000 lbs.	84
58823W		64	76414		89	E102	13000 lbs.	5
58863W		65	76714		9	E105	13000 lbs.	5
58873W		65	76715		9	E150	13000 lbs.	5
59026W		66	76743		9	E155	13000 lbs.	84
59035W		67	76744		9	E200	13000 lbs.	5
59038		9	76745		9	E300	13000 lbs.	5
59038W		9	76746		9	E301	13500 lbs.	14
59039W		41	76779		9	E302	13000 lbs.	5
59044W		65	76783		9	E302N	13000 lbs.	84
59070W		68	76784		9	E350	13500 lbs.	15
59071W		68	76785		9	E370	13000 lbs.	15
59116W		40	76788		9	ELDD	51000 lbs.	11
59145W		40	76789		9	ELHD	51000 lbs.	11
59146W		40	76790		9	EQDD	57000 lbs.	12
59600W		41	76810		9	EQHD	57000 lbs.	12
59610W		69	76811		9	ERDD	66000 lbs.	12
59620W		69	76820		9	ERLD	51000 lbs.	13
59621W		69	79744		97	ERLDD	51000 lbs.	87
59690		102	79744P		10	ERLHD	51000 lbs.	13
59690W		41	79746		10	ERQDD	51000 lbs.	12
59722W		69	79747		97	ERQHD	60000 lbs.	12
59723W		69	79747P		10	ESHD		12
65264		47	79750		97	ESQHD	60000 lbs.	12
65265		47	79750P		10	ETRDD	66000 lbs.	12
65350		7	93426N		5	F104	15000 lbs.	16
65351		7	93440		5	F105	15000 lbs.	16

**A
P
P
L
I
C
A
T
I
O
N
S**
**T
R
A
I
L
E
R
,
T
A
G
&
P
U
S
H
E
R
A
X
L
E
S**
**F
R
O
N
T
A
X
L
E
S**
**D
R
I
V
E
A
X
L
E
S**
**P
I
N
I
O
N
S
E
A
L
S**
**C
O
N
M
E
T[®]**
**L
I
G
H
T
T
R
U
C
K**

ArvinMeritor Standard Axle Model Index (continued)

Model	Capacity	Line No.	Model	Capacity	Line No.	Model	Capacity	Line No.
F106	15000 lbs.	16	L143		20	PR75N		27
F140	15000 lbs.	16	L143P	18500 lbs.	73	PR80H		28
F140D	15000 lbs.	16	L145	18500 lbs.	11	PRM150P		22
F142	15000 lbs.	6	L148	18500 lbs.	21	PS150		25
F145	15000 lbs.	16	L155		19	PS151		25
F146	14000 lbs.	16	L160		75	PS152		25
F147	15000 lbs.	16	L161	18500 lbs.	19	PS200		25
F149		106	L162	18500 lbs.	19	PS201		25
F245	15000 lbs.	16	L172	18500 lbs.	21	PS202		25
F340	15000 lbs.	16	L173		107	PS203		25
F341	15000 lbs.	16	L200	18500 lbs.	11	PS250		30
F345	18500 lbs.	16	L201	18500 lbs.	11	PS251		30
FH		3	L240	18500 lbs.	11	PS252		30
FHD		3	L245	18500 lbs.	11	PS50H		26
FHF		3	L246	18500 lbs.	76	PSM201		29
FHR		3	L265		19	PSM250		29
G161	16000 lbs.	15	L300	18500 lbs.	11	Q100	22000 lbs.	32
G262	16000 lbs.	15	L301	18500 lbs.	19	Q100A	22000 lbs.	70
G341	16000 lbs.	15	L302	18500 lbs.	73	Q101	22000 lbs.	35
G361	16000 lbs.	15	L310		20	Q110		33
G362	16000 lbs.	15	L340	18500 lbs.	11	Q111		36
H100	17000 lbs.	3	L345	18500 lbs.	11	Q130		32
H100A	17000 lbs.	3	L346	18500 lbs.	18	Q143	22000 lbs.	74
H101	17000 lbs.	3	L350		11	Q145	22000 lbs.	32
H110	17000 lbs.	3	L351	18500 lbs.	21	Q148		33
H120	17000 lbs.	1	L361	18500 lbs.	21	Q150		83
H130	17000 lbs.	3	L362	18500 lbs.	21	Q155		83
H140	17000 lbs.	17	L365	18500 lbs.	19	Q200	22000 lbs.	32
H141	17000 lbs.	17	L370	18500 lbs.	21	Q200A	22000 lbs.	32
H143	17000 lbs.	105	L371	19000 lbs.	21	Q201	22000 lbs.	35
H145	17000 lbs.	1	LD		11	Q230		32
H150	17000 lbs.	3	LDD		11	Q240	22000 lbs.	32
H151	17000 lbs.	1	LDF		11	Q245	22000 lbs.	32
H153	17000 lbs.	1	LH		11	Q246	22000 lbs.	32
H156	17000 lbs.	1	LHD		11	Q246P	22000 lbs.	70
H161	18500 lbs.	3	LHDA	34000 lbs.	18	Q265		12
H162	18500 lbs.	3	LHDD		11	Q300	22000 lbs.	32
H164P	17000 lbs.	3	LHF		11	Q301	22000 lbs.	35
H170	17500 lbs.	17	LHK		18	Q345	22000 lbs.	32
H172	17000 lbs.	3	LHL		18	Q346	22000 lbs.	32
H173	17500 lbs.	3	LHR		11	Q346P	22000 lbs.	70
H175	17000 lbs.	3	LT200		11	Q370		32
H200	17000 lbs.	3	LT300		11	Q380	22000 lbs.	32
H240	18500 lbs.	3	LT301	18500 lbs.	19	Q390	22000 lbs.	32
H250	17000 lbs.	1	LT310		20	QD		31
H300	17000 lbs.	3	LT340	18500 lbs.	20	QDA		31
H300A		3	MD20143	20000 lbs.	32	QDD		31
H301	17000 lbs.	3	MP20143	20000 lbs.	32	QDF		32
H302	17000 lbs.	3	P174	20000 lbs.	76	QDR		32
H302HD	17000 lbs.	3	P601	20000 lbs.	76	QH		32
H310	17000 lbs.	3	PR100		23	QHB		32
H320	17000 lbs.	1	PR101		23	QHD		32
H340	17000 lbs.	3	PR102		23	QHDA	38000 lbs.	32
H341	17000 lbs.	3	PR103		23	QHF		32
H350	17000 lbs.	1	PR104		23	QHP		32
H362	17000 lbs.	1	PR105		23	QHR		32
H370	17000 lbs.	1	PR106		23	QT140	22000 lbs.	32
H373	17000 lbs.	3	PR107		23	QT143		33
H601	17000 lbs.	3	PR118ZH		24	QT143P	22000 lbs.	74
HH		3	PR150		24	QT145	22000 lbs.	32
HHD		3	PR151		24	QT200		12
HHR		3	PR152		24	QT201		35
JH		11	PR200		25	QT230		34
JHD		11	PR201		25	QT240	22000 lbs.	32
JHR		11	PR202		24	QT300	22000 lbs.	32
L		11	PR203		25	QT301	21000 lbs.	35
L100	18500 lbs.	11	PR204		25	QT330		32
L100A	18500 lbs.	18	PR205		25	QT340	22000 lbs.	32
L101	18500 lbs.	11	PR206		25	QT341		12
L110		20	PR207		25	QT342		12
L110A		20	PR50H	5000 lbs.	26	QT342A	22000 lbs.	12
L140	18500 lbs.	11	PR50N	5000 lbs.	26	QT342P		108

For in-text symbols, see page 6.

ArvinMeritor Standard Axle Model Index (continued)

Model	Capacity	Line No.	Model	Capacity	Line No.	Model	Capacity	Line No.
QT345	22000 lbs.	32	R355		70	RS25161	25000 lbs.	114
QT346		12	R362	23000 lbs.	32	RS26160	26000 lbs.	114
QT350	22000 lbs.	32	R380	23000 lbs.	32	RS26161	26000 lbs.	114
QT360		83	R390	23000 lbs.	32	RS26180	26000 lbs.	108
QT365	22000 lbs.	32	R462		8	RS26185	26000 lbs.	108
QT367		12	R601		40	RS26380	26000 lbs.	108
QT540		12	RA173	23000 lbs.	74	RS30180	30000 lbs.	51
QW		32	RD		32	RS30180		103
QWF		31	RD17145	17000 lbs.	18	RS30185	30000 lbs.	51
QWR		31	RD17145	17000 lbs.	18	RS30380	30000 lbs.	51
R100	23000 lbs.	32	RD20140	20000 lbs.	32	RS38380	38000 lbs.	95
R100A	23000 lbs.	32	RD20145	20000 lbs.	32	RT140	23000 lbs.	32
R101	23000 lbs.	32	RD20160	20000 lbs.	114	RT141		35
R101A	23000 lbs.	32	RD22145	22000 lbs.	32	RT141P	23000 lbs.	72
R110		33	RD23160	23000 lbs.	114	RT170		83
R110A	23000 lbs.	74	RD23164	23000 lbs.	114	RT240	23000 lbs.	32
R112		39	RD25160	25000 lbs.	114	RT240P	23000 lbs.	12
R113		40	RD26160	26000 lbs.	114	RT241	23000 lbs.	32
R114		40	RDD		32	RT241P	23000 lbs.	12
R115		40	RDF		32	RT243		37
R120		33	RDP		32	RT265	23000 lbs.	32
R130		83	RHA		32	RT340	23000 lbs.	32
R140	17000 lbs.	32	RHD		32	RT341	23000 lbs.	32
R141	34000 lbs.	32	RHDA		32	RT34145	34000 lbs.	18
R141	23000 lbs.	72	RHR		32	RT34145P	34000 lbs.	78
R141P	23000 lbs.	72	RL170	18000 lbs.	32	RT341P	23000 lbs.	12
R143		33	RL172	23000 lbs.	32	RT343		12
R143P	23000 lbs.	74	RP20145	22000 lbs.	32	RT360		32
R143W	23000 lbs.	74	RP20160	23000 lbs.	114	RT365	23000 lbs.	32
R153		83	RP22145	22000 lbs.	32	RT40145	40000 lbs.	12
R155		32	RP23160	23000 lbs.	114	RT40145P	40000 lbs.	12
R158		33	RP23164	23000 lbs.	114	RT44145	44000 lbs.	51
R160	23000 lbs.	32	RP25160	25000 lbs.	114	RT44145P	44000 lbs.	51
R160P	23000 lbs.	70	RP26160	26000 lbs.	114	RT46146P	46000 lbs.	51
R162		33	RR17145	17000 lbs.	18	RT46160	46000 lbs.	51
R163		33	RR20140	20000 lbs.	32	RT46-160		109
R164	23000 lbs.	41	RR20145	20000 lbs.	32	RT46160A	46000 lbs.	86
R170	23000 lbs.	32	RR20160	20000 lbs.	114	RT48180	48000 lbs.	51
R171	23000 lbs.	32	RR22145	22000 lbs.	32	RT48180	48000 lbs.	108
R172	23000 lbs.	32	RR23160	23000 lbs.	114	RT48185	48000 lbs.	108
R173		33	RR23164	23000 lbs.	114	RT48380	48000 lbs.	51
R200	23000 lbs.	32	RR25160	25000 lbs.	114	RT48380	48000 lbs.	108
R200A		74	RR26160	26000 lbs.	114	RT52-160		109
R201	23000 lbs.	32	RS13120	13000 lbs.	5	RT52180	52000 lbs.	86
R202	23000 lbs.	32	RS15120	15000 lbs.	16	RT52380	52000 lbs.	51
R202P	23000 lbs.	74	RS15125		82	RT52380	52000 lbs.	108
R210		33	RS15210	15000 lbs.	16	RT58180	58000 lbs.	51
R220	23000 lbs.	32	RS16140	16000 lbs.	18	RT58-180		103
R221	23000 lbs.	32	RS16141	16000 lbs.	18	RT58185	58000 lbs.	51
R223	23000 lbs.	32	RS17140	17500 lbs.	3	RT58-380		103
R230	23000 lbs.	32	RS17141		107	RT70380	70000 lbs.	38
R235		32	RS17220	17500 lbs.	3	RT70380	70000 lbs.	95
R241		37	RS19145	19000 lbs.	18	S170	26000 lbs.	32
R255	23000 lbs.	32	RS20145		108	S200		53
R270		83	RS20230		108	S300		53
R300	23000 lbs.	32	RS21145	21000 lbs.	32	SBB1300		1
R300A	23000 lbs.	32	RS21160	21000 lbs.	114	SBB700		43
R300B	23000 lbs.	32	RS21161	21000 lbs.	114	SBD1055		3
R301	23000 lbs.	32	RS23160	23000 lbs.	32	SBD1500		44
R301A	23000 lbs.	12	RS23160	23000 lbs.	114	SBD1501		44
R301B	23000 lbs.	12	RS23160A	23000 lbs.	86	SBD1502		45
R301C	23000 lbs.	12	RS23160C	23000 lbs.	86	SBD1555		11
R302	23000 lbs.	32	RS23161	23000 lbs.	114	SBD1555A		87
R302P	23000 lbs.	12	RS23180	23000 lbs.	32	SD3000		7
R310		33	RS23180	23000 lbs.	108	SD3010		7
R3100W		42	RS23185	23000 lbs.	108	SD3010P	36000 lbs.	7
R3102W		42	RS23186	23000 lbs.	108	SD3011	36000 lbs.	7
R320	23000 lbs.	32	RS23240	23000 lbs.	32	SD3020	36000 lbs.	7
R320P	23000 lbs.	12	RS23380	23000 lbs.	108	SD3025		7
R321	23000 lbs.	32	RS24160	24000 lbs.	114	SD353		42
R330	23000 lbs.	32	RS24161	24000 lbs.	114	SD436		9
R335P		12	RS25160	25000 lbs.	114	SD454		9

A P P L I C A T I O N S
T R A I L E R , T A G & P U S H E R A X L E S
F R O N T A X L E S
D R I V E A X L E S
P I N I O N S E A L S
C O N M E T®
L I G H T T R U C K

ArvinMeritor Standard Axle Model Index (continued)

Model	Capacity	Line No.	Model	Capacity	Line No.	Model	Capacity	Line No.
SD462		9	SRD	44000 lbs.	32	THD		32
SD466		9	SRDD	44000 lbs.	32	THR		32
SD472		10	SRDR	44000 lbs.	70	TR8670		109
SD473		10	SRHD	44000 lbs.	32	TR8680		109
SDD3000		46	SSH	44000 lbs.	32	U140		51
SDD454		9	SSH	46000 lbs.	88	U170	29000 lbs.	51
SDF450		111	STD	50000 lbs.	51	U170	30000 lbs.	91
SDHD		16	STDA		109	U180		103
SFD	60000 lbs.	8	STDD	50000 lbs.	51	U200	24000 lbs.	8
SFD157		47	STDDA		12	U200A	29000 lbs.	8
SFD3020		7	STHD	50000 lbs.	32	U200B		8
SFD450		8	SU170	58000 lbs.	51	U240	29000 lbs.	51
SFD451		8	SU270	58000 lbs.	51	U300	29000 lbs.	8
SFD454		8	SU280		51	U300A	29000 lbs.	8
SFD460	36000 lbs.	8	SUD	55000 lbs.	8	U300B	29000 lbs.	8
SFD4600	60000 lbs.	8	SUDA		8	U340	29000 lbs.	51
SFD461		8	SUDB	55000 lbs.	12	UD		8
SFD4640	60000 lbs.	8	SUDD	55000 lbs.	8	UDA		8
SFD4700		48	SUDDDB		91	UDD		8
SFD760		5	SUDR	58000 lbs.	70	UDR		8
SFDD	60000 lbs.	8	SUHD	55000 lbs.	51	UH		51
SFDD3020	36000 lbs.	7	SW100P	40000 lbs.	71	UHD		51
SFDD4600	60000 lbs.	8	SW170		52	UHR		51
SFDD4640	60000 lbs.	8	SW251		47	W170	38000 lbs.	52
SFDD4740	60000 lbs.	8	SW270		52	W200		51
SFHD	28000 lbs.	1	SW280	70000 lbs.	52	W270	38000 lbs.	52
SH		32	SW3000		7	W3003		7
SHD		32	SW3002		7	W3013		7
SHHD	30000 lbs.	17	SW3003		7	W3014		7
SHP		32	SW3010	36000 lbs.	7	W3020		7
SHR		32	SW3010P	36000 lbs.	7	W3022		7
SJHD	32000 lbs.	11	SW3012	36000 lbs.	7	W3456		7
SL100	34000 lbs.	18	SW3012P	36000 lbs.	7	W3458		7
SL100P	34000 lbs.	18	SW3013		7	W456		8
SL340		49	SW3013A	36000 lbs.	7	W457		8
SLD	34000 lbs.	11	SW3014	36000 lbs.	7	W458		8
SLDA		11	SW3014A	36000 lbs.	7	W459		8
SLDD	34000 lbs.	18	SW3014P	36000 lbs.	7	W460	36000 lbs.	8
SLDDA		18	SW3020	36000 lbs.	7			
SLHA		18	SW3020P	36000 lbs.	7			
SLHD	34000 lbs.	18	SW3022		7			
SLHDA		18	SW3452		9			
SLHR	34000 lbs.	18	SW3456		7			
SQ100	38000 lbs.	32	SW3456B		7			
SQ100AL	38000 lbs.	88	SW3458		7			
SQ100P	38000 lbs.	32	SW3458A		7			
SQ100PAL	38000 lbs.	71	SW452		77			
SQD	38000 lbs.	31	SW456	36000 lbs.	8			
SQDA		31	SW456A	20000 lbs.	111			
SQDD	38000 lbs.	32	SW456P	36000 lbs.	8			
SQHD	38000 lbs.	32	SW457	50000 lbs.	8			
SQHP	38000 lbs.	32	SW458		8			
SQR100	44000 lbs.	51	SW460		8			
SQR100P	44000 lbs.	51	SW462		9			
SQTT235		12	SWD459		110			
SQTT335		12	SWD459P		8			
SQW	38000 lbs.	32	T155	26000 lbs.	32			
SR170	46000 lbs.	32	T175	18500 lbs.	3			
SR270	46000 lbs.	50	TD		51			
SR280		50	TDD		51			

Mfr Line Number	Scotseal® PlusXL	Scotseal® Classic	Scotseal® Longlife	Inner (Cone/Cup)	Outer (Cone/Cup)	Grease Seal Location	Number
ArvinMeritor Standard							
1							
Standard Axle		39380		495-AX/ BR493	BR39590/ BR39520 ▲SET408	Outer Seal Kit	25160
						Inner	39385
Dodge - 3.938" Shaft		39380		495-AX/ BR493	BR3984/ BR3920	Outer Seal Kit	25160
						Inner	39385
Dodge - 4.266" Shaft		42800		495-AX/ BR493	BR3984/ BR3920	Inner	39385
GMC - 3.875" Shaft		38750		495-AX/ BR493	BR39590/ BR39520 ▲SET408	Inner Seal Kit	1214
GMC - 3.938" Shaft		39420		495-AX/ BR493	BR39590/ BR39520 ▲SET408	Inner - Seal Kit	1322
						Inner - Seal w/o Sleeve	39423
2							
Standard Axle				387-A/ 382-A	368-A/ 362-A	Inner	27470
3							
Standard Axle		39380		495-AX/ BR493	BR3984/ BR3920	Outer Seal Kit	25160
						Inner	39385
Dodge - 3.875" Shaft		38709		BR42688/ BR42620	BR39590/ BR39520 ▲SET408	Outer Seal Kit	31361
						Inner	38703
Dodge - 3.938" Shaft		39380		495-AX/ BR493	BR3984/ BR3920	Outer Seal Kit	25160
						Inner	39385
Ford - 3.875" Shaft	38776	38780		BR47686/ BR47620 ▲SET411	BR39590/ BR39520 ▲SET408	Inner - Seal Kit	1308
						Inner - Seal w/o Sleeve	38777
Ford - 3.938" Shaft		39420		495-AX/ BR493	BR39590/ BR39520 ▲SET408	Inner - Seal Kit	1322
						Inner - Seal w/o Sleeve	39423
GMC - 3.875" Shaft		38750		495-AX/ BR493	BR39590/ BR39520 ▲SET408	Inner Seal Kit	1214
GMC - 3.938" Shaft		39420		495-AX/ BR493	BR39590/ BR39520 ▲SET408	Inner - Seal w/o Sleeve	39423
Navistar - 3.875" Shaft	38776	38780		BR47686/ BR47620 ▲SET411	BR39590/ BR39520 ▲SET408	Inner - .500" Width	38774
						Inner - .750" Width	38777
Navistar - 3.938" Shaft		39380		495-AX/ BR493	BR3984/ BR3920	Outer Seal Kit	25160
						Inner - Seal w/o Sleeve	39385
White		39380		495-AX/ BR493	BR3984/ BR3920	Outer Seal Kit	25160
						Inner	39385
4							
.....		31307		BR582/ BR572 ▲SET402	BR462/ 453-X		
5							
Standard Axle		31307		BR3984/ BR3920		Inner	31299
Ford		31307		BR3984/ BR3920	BR462/ 453-X		
Navistar		31307		BR3984/ BR3920	BR462/ 453-X		
White		31307		BR3984/ BR3920	BR462/ 453-X	Inner - Seal Kit	1306
						Inner - Seal w/o Sleeve	31299

APPLICATIONS

TRAILER, TAG & PUSHER AXLES

FRONT AXLES

DRIVE AXLES

PINION SEALS

CONMET®

LIGHT TRUCK

Mfr Line Number	Scotseal® PlusXL	Scotseal® Classic	Scotseal® Longlife	Inner (Cone/Cup)	Outer (Cone/Cup)	Grease Seal Location	Grease Seal Number
-----------------	------------------	-------------------	--------------------	------------------	------------------	----------------------	--------------------

ArvinMeritor Standard (continued)

6							
.....	34384	34387		BR33281/ BR33462	BR3982/ BR3920	Outer Seal Kit	23870
						Inner	34383
7							
Standard Axle	40129	40136 or 40139 ⁵		BR575/ BR572	BR575/ BR572	Axle Shaft	22492
GMC	40129	40136 or 40139 ⁵		BR575/ BR572	BR575/ BR572	Axle Shaft	22492
White - 4.000" Shaft	40129	40136 or 40139 ⁵		BR575/ BR572	BR575/ BR572	Axle Shaft	22492
White - 4.266" Shaft		42800		BR582/ BR572 ▲SET402	BR42687/ BR42620		
8							
Standard Axle - 4.824" Axle..				BR760/ BR572	BR749/ BR742	Inner Seal Kit	54935
Standard Axle - 4.875" Shaft..		48884		BR760/ BR752	BR749/ BR742		
Ford		w/455019 48884		BR760/ BR752	BR749/ BR742		
GMC - Cast Whls.		w/455019 48884		BR760/ BR752	BR749/ BR742	Inner	50148
GMC - Disc Whls.		w/455019		BR760/ BR752	BR749/ BR742	Inner Seal Kit	54935
Navistar		48884		BR760/ BR752	BR749/ BR742	Inner Seal Kit	54935
White - 3.938" Shaft		39380		495-AX/ BR493	BR749/ BR742	Inner	39385
White - 4.766" Shaft		47699		681-A/ BR672	BR580/ BR572 ▲SET401	Inner Seal Kit	1212
White - 4.875" Shaft		48884		BR760/ BR752	BR749/ BR742	Inner Seal Kit	54935
9							
Standard Axle				BR759/ BR752	BR749/ BR742		
White				BR759/ BR752	BR749/ BR742	Inner - 2.313" Shaft	23152
						Inner - 2.375" Shaft	23708
10							
.....					BR780/ BR772	Inner - 6.375" Shaft	63733
						Inner - 6.750" Shaft	67540
11							
Standard Axle		42800		BR582/ BR572 ▲SET402	BR42687/ BR42620		
Dodge - From Ser. 1492000..	38776	38780		BR47686/ BR47620 ▲SET411	BR39585/ BR39520	Inner	38777
Dodge - Thru Ser. 1491999..		42800		BR582/ BR572 ▲SET402	BR42687/ BR42620		

For in-text symbols, see page 6.

Mfr Line Number	Scotseal® PlusXL	Scotseal® Classic	Scotseal® Longlife	Inner (Cone/Cup)	Outer (Cone/Cup)	Grease Seal Location	Grease Seal Number
ArvinMeritor Standard (continued)							
Navistar	38776	38780		BR47686/ BR47620 ▲SET411	BR39590/ BR39520 ▲SET408	Inner - .500" Width	38774
White		42800		BR582/ BR572 ▲SET402	BR42687/ BR42620	Inner - .750" Width	38777
12 Standard Axle	47692	47697 or 47698 ⁵	47693	598-A/ 592-A ▲SET404	BR580/ BR572 ▲SET401	Inner Seal Kit	1211
Brockway		47699		681-A/ BR672	BR580/ BR572 ▲SET401	Outer Seal Kit	31378
13 Center & Rear Units		42800		BR582/ BR572 ▲SET402	BR42687/ BR42620		
Front Unit	47692	47697 or 47698 ⁵	47693	598-A/ 592-A ▲SET404	BR580/ BR572 ▲SET401	Inner Seal Kit	1211
						Outer Seal Kit	
						8 Bolt Holes	31378
14 Standard Axle	34384	34387		BR33281/ BR33462	BR3982/ BR3920	Inner	35012
GMC - 4.125" Outer Cup O.D.				BR33281/ BR33462	BR45290/ BR45220	Inner	35012
GMC - 4.330" Outer Cup O.D.	34384	34387		BR33281/ BR33462	BR3982/ BR3920		
15 GMC				B12235-YK	KA11950-Z	Inner - Seal Kit	162
						Inner - Seal Only	36314
16 Standard Axle	34384	34387		BR33287/ BR33462	BR3982/ BR3920	Inner - Seal Kit	1307
						Outer Seal Kit	23870
Dodge - 2.813" Inner Cone I.D.	34384	34387		BR33281/ BR33462	BR3982/ BR3920	Inner - Seal w/o Sleeve	34383
Dodge - 2.875" Inner Cone I.D.	34384	34387		BR33287/ BR33462	BR3982/ BR3920	Inner	33807
Ford	34384	34387		BR33287/ BR33462	BR3982/ BR3920	Inner	33807
GMC	34384	34387		BR33287/ BR33462	BR3982/ BR3920	Inner Seal Kit	1307
White	34384	34387		BR33287/ BR33462	BR3982/ BR3920		
17 Standard Axle		39380		495-AX/ BR493	BR3984/ BR3920	Outer Seal Kit	25160
Dodge		38709		BR42688/ BR47620	BR39590/ BR39520 ▲SET408	Inner	39385
						Outer Seal Kit	31361
						Inner	38703

APPLICATIONS

TRAILER, TAG & PUSHER AXLES

FRONT AXLES

DRIVE AXLES

PINION SEALS

CONMET®

LIGHT TRUCK

Mfr Line Number	Scotseal® PlusXL	Scotseal® Classic	Scotseal® Longlife	Inner (Cone/Cup)	Outer (Cone/Cup)	Grease Seal Location	Number
--------------------	---------------------	----------------------	-----------------------	---------------------	---------------------	-------------------------	--------

ArvinMeritor Standard (continued)

Ford - From Ser. F90001 ...		39425		495-AX/ BR493	BR39590/ BR39520 ▲SET408	Inner - Seal Kit 1322 Outer Seal Kit 25160 Inner - Seal w/o Sleeve 39423 Inner Seal Kit 1321 Outer Seal Kit 25160	
Ford - Thru Ser. F90000 ...		39380		495-AX/ BR493	BR39590/ BR39520 ▲SET408	Inner Seal Kit 1214	
GMC - 3.875" Shaft		38750		495-AX/ BR493	BR39590/ BR39520 ▲SET408	Inner - Seal Kit 1322 Inner - Seal w/o Sleeve 39423	
GMC - 3.938" Shaft		39420		495-AX/ BR493	BR39590/ BR39520 ▲SET408	Inner - .500" Width 38774 Inner - .750" Width 38777	
Navistar	38776	38780		BR47686/ BR47620 ▲SET411	BR39590/ BR39520 ▲SET408	Outer Seal Kit 25160 Inner 39385	
White		39380		495-AX/ BR493	BR3984/ BR3920		
18 Standard Axle - 3.875" Shaft..	38776	38780		BR47686/ BR47620 ▲SET411	BR39590/ BR39520 ▲SET408	Outer Seal Kit 1240 Inner 38777	
Standard Axle - 3.875" Shaft & 5.500" Inner Cup O.D. ...	38776	38780		BR582/ BR572 ▲SET402	BR42687/ BR42620	Outer Seal Kit 1240 Inner 38777	
Standard Axle - 4.266" Shaft..		42800		BR582/ BR572 ▲SET402	BR42687/ BR42620		
Dodge - From Ser. 1492000..	38776	38780		BR47686/ BR47620 ▲SET411	BR39590/ BR39520 ▲SET408	Inner 38777	
Dodge - Thru Ser. 1491999..		42800		BR582/ BR572 ▲SET402	BR42687/ BR42620		
Ford - 3.875" Shaft	38776	38780		BR47686/ BR47620 ▲SET411	BR39590/ BR39520 ▲SET408	Inner - Seal Kit 1308 Inner - Seal w/o Sleeve 38777	
Ford - 4.375" Shaft		43860		598-A/ 592-A ▲SET404	BR575/ BR572	Inner 43820	
Ford - 4.500" Shaft	45157	45160		594-A/ 592-A ▲SET403	BR580/ BR572 ▲SET401	Inner 45150	
Ford - 4.766" Shaft	47692	47697 or 47698 ⁵	47693	594-A/ 592-A ▲SET403	BR580/ BR572 ▲SET401	Inner - Seal w/Sleeve 49050 Inner - Sleeve 81774	
GMC - 5.506" Seal O.D. ...		38750		BR47686/ BR47620 ▲SET411	BR39590/ BR39520 ▲SET408		
GMC - 5.696" Seal O.D. ...	38776	38780		BR47686/ BR47620 ▲SET411	BR39590/ BR39520 ▲SET408	Inner Seal Kit 1214	
Navistar - 3.875" Shaft	38776	38780		BR47686/ BR47620 ▲SET411	BR39590/ BR39520 ▲SET408	Inner 38774	
Navistar - 4.266" Shaft		42800		BR582/ BR572 ▲SET402	BR42687/ BR42620		

For in-text symbols, see page 6.

Mfr Line Number	Scotseal® PlusXL	Scotseal® Classic	Scotseal® Longlife	Inner (Cone/Cup)	Outer (Cone/Cup)	Grease Seal Location	Grease Seal Number
ArvinMeritor Standard (continued)							
White		42800		BR582/ BR572 ▲SET402	BR42687/ BR42620		
19 Standard Axle	38776	38780		BR47686/ BR47620 ▲SET411	BR39585/ BR39520	Inner - Seal Kit	1308
GMC		38750		BR47686/ BR47620 ▲SET411	BR39590/ BR39520 ▲SET408	Inner - Seal w/o Sleeve	38777
Navistar	38776	38780		BR47686/ BR47620 ▲SET411	BR39590/ BR39520 ▲SET408	Inner Seal Kit	1214
						Inner - .500" Width	38774
						Inner - .750" Width	38777
20 Standard Axle		42800			BR42687/ BR42620		
Dodge - From Ser. 1492000..	38776	38780		BR47686/ BR47620 ▲SET411	BR39585/ BR39520	Inner	38777
Dodge - Thru Ser. 1491999..		42800		BR582/ BR572 ▲SET402	BR42687/ BR42620		
Navistar	38776	38780		BR47686/ BR47620 ▲SET411	BR39590/ BR39520 ▲SET408	Inner - .500" Width	38774
						Inner - .750" Width	38777
21 Standard Axle		39380		495-AX/ BR493	BR3984/ BR3920	Outer Seal Kit	25160
Dodge	38776	38780		BR47686/ BR47620 ▲SET411	BR39590/ BR39520 ▲SET408	Inner	39385
GMC		38750		BR47686/ BR47620 ▲SET411	BR39590/ BR39520 ▲SET408	Inner Seal Kit	1214
22	46300	46305	46308	BR52400/ BR52618	BR68462/ BR68712		
23		39380		BR497/ BR493		Inner	39245
24				BR52400/ BR52618	BR68462/ BR68712	Inner - 5.756" Seal O.D.	46200
						Inner - 6.190" Seal O.D.	46309
25 .14" Cone Front Face Radius.				BR52400/ BR52618	BR68462/ BR68712	Inner - 4.625" Shaft	46200
						Inner - 7.000" Shaft	70028
.31" Cone Front Face Radius.				BR52401/ BR52618	BR68462/ BR68712	Inner - 4.625" Shaft	46200
						Inner - 7.000" Shaft	70028
26					BR34300/ BR34478		

APPLICATIONS

TRAILER, TAG & PUSH AXLES

FRONT AXLES

DRIVE AXLES

PINION SEALS

CONMET®

LIGHT TRUCK

Mfr Line Number	Scotseal® PlusXL	Scotseal® Classic	Scotseal® Longlife	Inner (Cone/Cup)	Outer (Cone/Cup)	Grease Seal Location	Grease Seal Number
-----------------	------------------	-------------------	--------------------	------------------	------------------	----------------------	--------------------

ArvinMeritor Standard (continued)

27				BR52400/ BR52618		Inner	49998	
28					JM822049/ JM822010	Inner	49998	
29				BR52401/ BR52618	BR68462/ BR68712			
30					BR68462/ BR68712	Outer Inner	29317 72515	
31	Standard Axle - Exc. Alum. Hub	47692	47697 or 47698 ⁵	47693	598-A/ 592-A ▲SET404	BR580/ BR572 ▲SET401	Inner Seal Kit Outer Seal Kit	1211 31378
	Standard Axle - Alum. Hub	47692	47697 or 47698 ⁵	47693	598-A/ 592-A ▲SET404	BR580/ BR572 ▲SET401		
	Navistar	47692	47697 or 47698 ⁵	47693	598-A/ 592-A ▲SET404	BR580/ BR572 ▲SET401	Inner Seal Kit	1211
	White	47692	47697 or 47698 ⁵	47693	594-A/ 592-A ▲SET403	BR580/ BR572 ▲SET401	Inner Seal Kit Outer Seal Kit	1211 31378
32	Standard Axle - 4.766" Shaft	47692	47697 or 47698 ⁵	47693	598-A/ 592-A ▲SET404	BR580/ BR572 ▲SET401	Inner Seal Kit Outer Seal Kit	1211 31378
	Standard Axle - 4.824" Shaft				598-A/ 592-A ▲SET404	BR580/ BR572 ▲SET401	Inner Seal Kit	54930
	Dodge - 4.766" Shaft	47692	47697 or 47698 ⁵	47693	598-A/ 592-A ▲SET404	BR580/ BR572 ▲SET401	Inner Seal Kit Outer Seal Kit	1211 31378
	Dodge - 4.824" Shaft				598-A/ 592-A ▲SET404	BR580/ BR572 ▲SET401	Inner Seal Kit	54930
	Ford - 4.375" Shaft		43860		598-A/ 592-A ▲SET404	BR575/ BR572	Inner	43820
	Ford - 4.500" Shaft	45157	45160		594-A/ 592-A ▲SET403	BR580/ BR572 ▲SET401	Inner	45150
	Ford - 4.766" Shaft w/3.625" Inner Cone I.D.	47692	47697 or 47698 ⁵	47693	598-A/ 592-A ▲SET404	BR580/ BR572 ▲SET401	Inner - Seal w/Sleeve Inner - Sleeve	49050 81774
	Ford - 4.766" Shaft w/3.750" Inner Cone I.D.	47692	47697 or 47698 ⁵	47693	594-A/ 592-A ▲SET403	BR580/ BR572 ▲SET401	Inner - Seal w/Sleeve Inner - Sleeve	49050 81774
	GMC - 6.006" Seal O.D.		47690		598-A/ 592-A ▲SET404	BR580/ BR572 ▲SET401		

For in-text symbols, see page 6.

Mfr Line Number	Scotseal® PlusXL	Scotseal® Classic	Scotseal® Longlife	Inner (Cone/Cup)	Outer (Cone/Cup)	Grease Seal Location	Number
ArvinMeritor Standard (continued)							
GMC - 6.006" Seal O.D. w/3.750" Inner Cone I.D. ...		47690		594-A/ 592-A ▲SET403	BR580/ BR572 ▲SET401		
GMC - 6.259" Seal O.D. w/3.625" Inner Cone I.D. ...	48002	48000		598-A/ 592-A ▲SET404	BR580/ BR572 ▲SET401	Outer Seal Kit	31378
GMC - 6.259" Seal O.D. w/3.750" Inner Cone I.D. ...	48002	48000		594-A/ 592-A ▲SET403	BR580/ BR572 ▲SET401	Outer Seal Kit	31378
GMC - 6.316" Seal O.D. w/3.625" Inner Cone I.D. ...	47692	47697 or 47698 ⁵	47693	598-A/ 592-A ▲SET404	BR580/ BR572 ▲SET401	Inner Seal Kit	1211
						Outer Seal Kit	31378
GMC - 6.316" Seal O.D. w/3.750" Inner Cone I.D. ...	47692	47697 or 47698 ⁵	47693	594-A/ 592-A ▲SET403	BR580/ BR572 ▲SET401	Inner Seal Kit	1211
						Outer Seal Kit	31378
Navistar - 4.266" Shaft		42800		BR582/ BR572 ▲SET402	BR42687/ BR42620		
Navistar - 4.375" Shaft		43860		598-A/ 592-A ▲SET404	BR575/ BR572	Inner	43820
Navistar - 4.500" Shaft	45157	45160		594-A/ 592-A ▲SET403	BR580/ BR572 ▲SET401	Inner	45150
Navistar - 4.766" Shaft w/3.625" Inner Cone I.D. ...	47692	47697 or 47698 ⁵	47693	598-A/ 592-A ▲SET404	BR580/ BR572 ▲SET401	Inner Seal Kit	1211
						Outer Seal Kit	31378
Navistar - 4.766" Shaft w/3.750" Inner Cone I.D. ...	47692	47697 or 47698 ⁵	47693	594-A/ 592-A ▲SET403	BR580/ BR572 ▲SET401	Inner Seal Kit	1211
						Outer Seal Kit	31378
Navistar - 4.824" Shaft				598-A/ 592-A ▲SET404	BR580/ BR572 ▲SET401	Inner Seal Kit	54930
White - 6.316" Seal O.D. ...	47692	47697 or 47698 ⁵	47693	598-A/ 592-A ▲SET404	BR580/ BR572 ▲SET401	Inner Seal Kit	1211
						Outer Seal Kit	31378
White - 7.006" Seal O.D. ...		47699		681-A/ BR672	BR580/ BR572 ▲SET401	Inner Seal Kit	1213
						Outer Seal Kit	31378
33 6.316" Seal O.D.	47692	47697 or 47698 ⁵	47693	681-A/ BR672	BR580/ BR572 ▲SET401	Inner Seal Kit	1211
						Outer Seal Kit	31378
7.006" Seal O.D.		47699		681-A/ BR672	BR580/ BR572 ▲SET401	Inner Seal Kit	1213
						Outer Seal Kit	31378
34 GMC - 6.006" Seal O.D. ...		47690		598-A/ 592-A ▲SET404	BR580/ BR572 ▲SET401		
GMC - 6.259" Seal O.D. ...	48002	48000		598-A/ 592-A ▲SET404	BR580/ BR572 ▲SET401	Outer Seal Kit	31378

APPLICATIONS
 TRAILER, TAG & PUSHER AXLES
 FRONT AXLES
 DRIVE AXLES
 PINION SEALS
 CONMET®
 LIGHT TRUCK

Mfr Line Number	Scotseal® PlusXL	Scotseal® Classic	Scotseal® Longlife	Inner (Cone/Cup)	Outer (Cone/Cup)	Grease Seal Location	Number
ArvinMeritor Standard (continued)							
Navistar		48884 ⁺ w/455019		598-A/ 592-A ▲SET404	BR580/ BR572 ▲SET401	Inner Seal Kit	54935
35 Standard Axle		43860		BR598/ 592-A	BR575/ BR572	Inner	43820
Navistar - 3.000" Outer Cone I.D.		43860		BR598/ 592-A	BR575/ BR572	Inner	43820
Navistar - 3.250" Outer Cone I.D.		43860		BR598/ 592-A	BR580/ BR572 ▲SET401	Inner	43820
36		44964		BR663/ BR653 ▲SET405	BR580/ BR572 ▲SET401	Inner	44968
37 4.500" Shaft	45157	45160		594-A/ 592-A ▲SET403	BR580/ BR572 ▲SET401	Inner Seal Kit	45150
4.824" Shaft				594-A/ 592-A ▲SET403	BR580/ BR572 ▲SET401		
38				BR772/ BR782	BR6535/ BR6580		
39		48690		BR687/ BR672 ▲SET499	BR47890/ BR47820 ▲SET417	Outer	21840
						Inner	48693
40		44964			BR663/ BR653 ▲SET405	Outer Seal Kit 8 Bolt Holes	31385
						Inner	44968
41 Standard Axle		44964		749-A/ BR742	BR663/ BR653 ▲SET405	Outer Seal Kit 10 Bolt Holes	31390
GMC		44964		749-A/ BR742	BR663/ BR653 ▲SET405	Inner	44968
						Outer Seal Kit	31385
						Inner	44968
42 Standard Axle	40129	40136 or 40139 ⁵		BR596/ 592-A	BR596/ 592-A		
White	40129	40136 or 40139 ⁵		BR596/ 592-A	BR581/ BR572		
43 Standard Axle				BR395/ 394-A	BR387/ 382-A		
White				BR395/ 394-A	BR387/ 382-A		
44 Standard Axle - 2.625 " Outer Cone I.D.	40129	40136 or 40139 ⁵		BR580/ BR572 ▲SET401	BR560/ 553-X		

For in-text symbols, see page 6.

Mfr Line Number	Scotseal® PlusXL	Scotseal® Classic	Scotseal® Longlife	Inner (Cone/Cup)	Outer (Cone/Cup)	Grease Seal Location	Number
ArvinMeritor Standard (continued)							
Standard Axle - 3.000" Outer Cone I.D.	40129	40136 or 40139 ⁵		BR580/ BR572 ▲SET401	BR575/ BR572		
White	40129	40136 or 40139 ⁵		BR575/ BR572	BR575/ BR572	Axle Shaft	22492
45 Standard Axle	40129	40136 or 40139 ⁵		BR580/ BR572 ▲SET401			
White	40129	40136 or 40139 ⁵		BR580/ BR572 ▲SET401			
46	40129	40136 or 40139 ⁵		BR575/ BR572	BR567/ BR563 ▲SET425		
47						Inner	36289
48					BR780/ BR772	Inner Seal Kit	1212
49		42800		BR582/ BR572 ▲SET402	BR42688/ BR42620		
50 Standard Axle - From 6/1981..	48002	48000		594-A/ 592-A ▲SET403	BR580/ BR572 ▲SET401	Outer Seal Kit	31385
Standard Axle - Thru 5/1981..				598-A/ 592-A ▲SET404	BR580/ BR572 ▲SET401	Inner - Grease Seal	55175
GMC - 6.006" Seal O.D. ...		47690		598-A/ 592-A ▲SET404	BR580/ BR572 ▲SET401	Oil Bath Seal	55177
GMC - 6.006" Seal O.D. w/3.750" Inner Cone I.D. ..		47690		594-A/ 592-A ▲SET403	BR580/ BR572 ▲SET401	Outer Seal Kit	31385
GMC - 6.259" Seal O.D. w/3.625" Inner Cone I.D. ..	48002	48000		598-A/ 592-A ▲SET404	BR580/ BR572 ▲SET401	Inner - Grease Seal	55175
GMC - 6.259" Seal O.D. w/3.750" Inner Cone I.D. ...	48002	48000		594-A/ 592-A ▲SET403	BR580/ BR572 ▲SET401	Oil Bath Seal	55177
GMC - 6.316" Seal O.D. w/3.625" Inner Cone I.D. ...	47692	47697 or 47698 ⁵	47693	598-A/ 592-A ▲SET404	BR580/ BR572 ▲SET401	Outer Seal Kit	31378
GMC - 6.316" Seal O.D. w/3.750" Inner Cone I.D. ...	47692	47697 or 47698 ⁵	47693	594-A/ 592-A ▲SET403	BR580/ BR572 ▲SET401	Outer Seal Kit	31378
GMC - 6.316" Seal O.D. w/3.750" Inner Cone I.D. ...	47692	47697 or 47698 ⁵	47693	594-A/ 592-A ▲SET403	BR580/ BR572 ▲SET401	Inner Seal Kit	1211
						Outer Seal Kit	31378

APPLICATIONS

TRAILER, TAG & PUSH AXLES

FRONT AXLES

DRIVE AXLES

PINION SEALS

CONMET®

LIGHT TRUCK

Mfr Line Number	Scotseal® PlusXL	Scotseal® Classic	Scotseal® Longlife	Inner (Cone/Cup)	Outer (Cone/Cup)	Grease Seal Location	Number
ArvinMeritor Standard (continued)							
51 Standard Axle - 4.766" Shaft..	47692	47697 or 47698 ⁵	47693	594-A/ 592-A ▲SET403	BR580/ BR572 ▲SET401	Outer Seal Kit	1240
Standard Axle - 5.500" Shaft..		55177 ⁺ w/455054		BR782/ BR772	BR749/ BR742	Outer Seal Kit	31385
GMC		55177 ⁺ w/455054		BR782/ BR772	BR749/ BR742	Inner - Grease Seal	55175
Navistar		55177 ⁺ w/455054		BR782/ BR772	BR749/ BR742	Inner - Oil Bath Seal	55177
						Outer Seal Kit	31385
						Inner - Grease Seal	55175
						Inner - Oil Bath Seal	55177
						Outer Seal Kit	31385
						Inner - Grease Seal	55175
						Inner - Oil Bath Seal	55177
52 Standard Axle				BR782/ BR772	BR6580/ BR6535	Outer	32424
GMC				BR782/ BR772	BR6580/ BR6535	Inner	60028
						Inner	60028
53 4.824" Shaft					BR665/ BR653		
4.875" Shaft		48884 ⁺ w/455019			BR665/ BR653		
54				BR749/ BR742	BR749/ BR742	Axle Shaft 2.000" Shaft	19886
						Axle Shaft 2.500" Shaft	25043
						Inner - 4.750" Shaft	47394
						Inner - 5.000" Shaft	49928
55				368-A/ 362-A		Inner	23820
56 Standard Axle				BR665/ BR653	BR657/ BR653		
GMC				BR665/ BR653	BR657/ BR653	Inner	40078
57 Standard Axle				BR665/ BR653	BR657/ BR653		
GMC				BR665/ BR653	BR657/ BR653	Inner	40078
58		39380		BR568/ BR563	BR749/ 472-A		
59		44964		BR665/ BR653	BR567/ BR563 ▲SET425	Inner	44967

For in-text symbols, see page 6.

Mfr Line Number	Scotseal® PlusXL	Scotseal® Classic	Scotseal® Longlife	Inner (Cone/Cup)	Outer (Cone/Cup)	Grease Seal Location	Grease Seal Number
ArvinMeritor Standard (continued)							
60		44964		BR663/ BR653 ▲SET405	BR567/ BR653	Inner	44967
61				BR581/ BR572	BR575/ BR572	Inner	46200
62	40129	40136		BR575/ BR572	BR575/ BR572	Axle Shaft Inner - 4.000" Shaft Inner - 4.625"	22492 40108 46200
63		42800			BR42687/ BR42620		
64		44964		BR663/ BR653 ▲SET405	BR663/ BR653 ▲SET405	Inner	44967
65		44964		BR749/ BR742	BR663/ BR653 ▲SET405		
66				BR759/ BR752	BR749/ BR742		
		48884 w/455019		BR759/ BR752	BR749/ BR742		
67				749-A/ BR742			
68				BR749/ BR742		Inner	45140
69		48690		BR6580/ BR6535	BR663/ BR653 ▲SET405	Outer Seal Kit Inner	31390 48693
70		42800		598-A/ 592-A ▲SET404	BR580/ BR572 ▲SET401		
	47692	47697 or 47698 ⁵	47693	598-A/ 592-A ▲SET404	BR580/ BR572 ▲SET401		
		48884		598-A/ 592-A ▲SET404	BR580/ BR572 ▲SET401		
71		47699		681-A/ BR672	BR580/ BR572 ▲SET401		

APPLICATIONS

TRAILER, TAG & PUSH AXLES

FRONT AXLES

DRIVE AXLES

PINION SEALS

CONMET®

LIGHT TRUCK

Mfr Line Number	Scotseal® PlusXL	Scotseal® Classic	Scotseal® Longlife	Inner (Cone/Cup)	Outer (Cone/Cup)	Grease Seal Location	Grease Seal Number
ArvinMeritor Standard (continued)							
72	45157	45160		BR594/ 592-A	BR580/ BR572 ▲SET401		
73		42800		663-A/ BR653	BR42687/ BR42620		
74		47699		681-A/ BR672	BR580/ BR572 ▲SET401		
75		38750		BR47686/ BR47620 ▲SET411	BR39590/ BR39520 ▲SET408		
		39420		BR47686/ BR47620 ▲SET411	BR39590/ BR39520 ▲SET408		
76	38776	38780		BR47686/ BR47620 ▲SET411	BR39590/ BR39520 ▲SET408		
77		48884		BR759/ BR752	BR749/ BR742		
78	38776	38780		BR47686/ BR47620 ▲SET411	BR39590/ BR39520 ▲SET408		
79	40129	40136 or 40139 ⁵		BR33281/ BR33462	BR3982/ BR3920		
80	40129	40136 or 40139 ⁵		BR575/ BR572			
	40129	40136 or 40139 ⁵		BR580/ BR572 ▲SET401			
81				BR663/ BR653 ▲SET405	BR567/ BR563 ▲SET425	Inner	44968
82	34384	34387		BR33287/ BR33462	BR3982/ BR3920		
83	47692	47697 or 47698 ⁵	47693	598-A/ 592-A ▲SET404	BR580/ BR572 ▲SET401		
84		31307		BR3984/ BR3920	BR462/ 453-X		

For in-text symbols, see page 6.

Mfr Line Number	Scotseal® PlusXL	Scotseal® Classic	Scotseal® Longlife	Inner (Cone/Cup)	Outer (Cone/Cup)	Grease Seal Location	Grease Seal Number
ArvinMeritor Standard (continued)							
85	40129	40136 or 40139 ⁵		BR575/ BR572	BR575/ BR572		
86	47692	47697 or 47698 ⁵	47693	594-A/ 592-A ▲SET403	BR580/ BR572 ▲SET401		
87		42800		BR582/ BR572 ▲SET402	BR42687/ BR42620	Inner	42800
88		47699		681-A/ BR672	BR575/ BR572		
89		45162		BR759/ BR752	BR749/ BR742		
90	40129	40136 or 40139 ⁵		BR580/ BR572 ▲SET401			
w/R-S 56429 Axle	40129	40136 or 40139 ⁵		BR575/ BR572			
91		55177 [*] w/455054		BR782/ BR772	BR749/ BR742		
92 w/R-S 53620 Axle				BR395/ 394-A BR395/ 394-A	BR387/ 382-A BR382/ BR387		
93	40129	40136 or 40139 ⁵		BR580/ BR572 ▲SET401	HM212049/ HM212011 ▲SET413		
w/R-S 56431 & 54433 Axles..	40129	40136 or 40139 ⁵		BR575/ BR572	HM212049/ HM212011 ▲SET413		
94 w/R-S 58269 Axle	40129	40136		BR575/ BR572 BR581/ BR572	BR575/ BR572 BR575/ BR572	Inner	22492
95				BR782/ BR772	BR6580/ BR6535	Inner	60028
96				BR596/ 592-A	BR596/ 592-A	Inner	22492
97					BR780/ BR772	Inner	29260
						Outer	63734

APPLICATIONS
 TRAILER, TAG & PUSHER AXLES
 FRONT AXLES
 DRIVE AXLES
 PINION SEALS
 CONMET®
 LIGHT TRUCK

Mfr Line Number	Scotseal® PlusXL	Scotseal® Classic	Scotseal® Longlife	Inner (Cone/Cup)	Outer (Cone/Cup)	Grease Seal Location	Grease Seal Number
ArvinMeritor Standard (continued)							
98		31307		BR3984/ BR3920	BR462/ 453-X		
99				368-A/ 362-A	359-S/ 354-A		
100	45093	45099		BR663/ BR653 ▲SET405	BR567/ BR563 ▲SET425		
101				BR663/ BR653 ▲SET405	BR657/ BR653	Inner	44968
102		44964 or 45010 ⁵		749-A/ BR742	BR663/ BR653 ▲SET405		
103		55177 ⁺ w/455054		BR782/ BR772	BR749/ BR742		
104					BR663/ BR653 ▲SET405		
105		39420		495-AX/ BR493	BR3984/ BR3920		
106	34384	34387		BR33287/ BR33462	BR3982/ BR3920		
107	38776	38780		BR47686/ BR47620 ▲SET411	BR39590/ BR39520 ▲SET408		
108	47692	47697	47693	598-A/ 592-A ▲SET404	BR580/ BR572 ▲SET401		
109	47692	47697	47693	594-A/ 592-A ▲SET403	BR580/ BR572 ▲SET401		
110		48884		BR760/ BR752	BR749/ BR742		
111		48884			BR749/ BR742		
112					BR39590/ BR39520 ▲SET408		

For in-text symbols, see page 6.

Mfr Line Number	Scotseal® PlusXL	Scotseal® Classic	Scotseal® Longlife	Inner (Cone/Cup)	Outer (Cone/Cup)	Grease Seal Location	Grease Seal Number
ArvinMeritor Standard (continued)							
113				BR665/ BR653	BR567/ BR563 ▲SET425		
114	4.766" Shaft	47692	47697	47693	594-A/ 592-A ▲SET403	BR580/ BR572 ▲SET401	Inner - Seal w/Sleeve 49050

ArvinMeritor (School Bus) Axle Model Index

Model	Line No.	Model	Line No.	Model	Line No.	Model	Line No.
B1055	1	E302	2	H156	1	H370	1
BH150	1	F104	3	H170	1	L155	4
C100	2	F105	3	H172	4	L172	4
D100	2	F145	3	H173	4	RS13120	3
D140	2	F245	3	H175	3	RS15210	3
DBB1300	1	F345	3	H200	1	RS17140	4
E100	2	H100	1	H240	1	RS17220	4
E102	2	H110	1	H300 (Thru 1981)	1		
E105	2	H120	1	H301	1		
E150	2	H140	1	H310	1		
E155	2	H150	1	H320	1		
E200	2	H151	1	H340 (Thru 1981)	1		
E300	2	H153	1	H350	1		

Mfr Line Number	Scotseal® PlusXL	Scotseal® Classic	Scotseal® Longlife	Inner (Cone/Cup)	Outer (Cone/Cup)	Grease Seal Location	Grease Seal Number
ArvinMeritor (School Bus)							
1		39420		495-AX/ BR493	BR3984/ BR3920		
2		31307		BR3984/ BR3920			
3	34384	34387		BR33287/ BR33462	BR3982/ BR3920		
4	38776	38780		BR47686/ BR47620 ▲SET411	BR39590/ BR39520 ▲SET408		

Autocar Axle Model Index

Model	Line No.	Model	Line No.	Model	Line No.	Model	Line No.
C20	1	C80TS	3	C95	3	DC20	1
C7062	2	C85	3	C95T	3	U20	1
C80	3	C85T	3	D100	3	U8064	4
C8044	4	C90	3	DC100	3	U90	3
C8064	4	C9064	5	DC100T	3	U9064	5
C80T	3	C90D	3	DC103D	6	U90D	3
C80TB	3	C90T	3	DC103D-OH	6	U90T	3

Mfr Line Number	Scotseal® PlusXL	Scotseal® Classic	Scotseal® Longlife	Inner (Cone/Cup)	Outer (Cone/Cup)	Grease Seal Location	Number
Autocar							
1						Inner	40129
2						Inner Seal Kit 4.766" Shaft	1211
						Inner Seal Kit 4.824" Shaft	54930
3						Outer	25577
4						Axle Shaft	22492
5						Axle Shaft	24286
6						Inner	29887

Available Axle Model Index

Model	Line No.	Model	Line No.	Model	Line No.	Model	Line No.
250	1	550X	3	601	3	630	4
400	2	560	3	602	3	660S	3
500	2	560S	2	610	3		
550	3	600	3	620	3		

Mfr Line Number	Scotseal® PlusXL	Scotseal® Classic	Scotseal® Longlife	Inner (Cone/Cup)	Outer (Cone/Cup)	Grease Seal Location	Number
Available							
1						Outer Seal Kit	25160
						Inner	39385
2		42800					
3						Inner Seal Kit 4.766" Shaft	1211
						Outer Seal Kit 8 Bolt Holes	31378
						Inner Seal Kit 4.824" Shaft	54930
4						Inner Seal Kit 4.766" Shaft	1211
						Inner Seal Kit 4.824" Shaft	54935

Bluebird - See Axle Mfr.

Boyertown - See Axle Mfr.

Brockway Axle Axle Model Index

Model	Line No.	Model	Line No.	Model	Line No.	Model	Line No.
18 Series	1	35 Series	3	D380 Series	1	SUDD	3
27 Series	2	38D	1	SFDD4640	3		

Mfr Line Number	Scotseal® PlusXL	Scotseal® Classic	Scotseal® Longlife	Inner (Cone/Cup)	Outer (Cone/Cup)	Grease Seal Location	Number
--------------------	---------------------	----------------------	-----------------------	---------------------	---------------------	-------------------------	--------

Brockway Axle

1							
4.375" Shaft		43860		BR598/ 592-A	BR575/ BR572		
4.766" Shaft	47692	47697	47693	598-A/ 592-A ▲SET404	BR580/ BR572 ▲SET401		
2							
	45157	45160		BR594/ 592-A	BR580/ BR572 ▲SET401		
3							
		48884		BR760/ BR752	BR749/ BR742		

Brockway Truck Axle Model Index

Model	Line No.	Model	Line No.	Model	Line No.	Model	Line No.
146W	1	153BB	1	166	3	260SQ	2
148W	1	153SQ	1	170X	4	260X	5
151W	1	153W	1	175X	3	260XL	2
152BB	1	165	3	195X	3	260XW	2
152W96	1	165X	3	220X	5	260XWL	2

Mfr Line Number	Scotseal® PlusXL	Scotseal® Classic	Scotseal® Longlife	Inner (Cone/Cup)	Outer (Cone/Cup)	Grease Seal Location	Number
--------------------	---------------------	----------------------	-----------------------	---------------------	---------------------	-------------------------	--------

Brockway Truck

1							
						Inner Seal Kit 4.766" Shaft	1211
						Inner Seal Kit 4.824" Shaft	54930
2							
						Inner Seal Kit 4.766" Shaft	1212
						Inner Seal Kit 4.824" Shaft	54935
3							
						Axle Shaft	22446
4							
						Outer	19300
						Inner	36314
5							
						Inner	25043

Brown Axle Model Index

Model	Line No.	Model	Line No.	Model	Line No.	Model	Line No.
KP	1	LP	1	LT	1		
KT	1	LS	1	TR6572	1		

APPLICATIONS

TRAILER, TAG & PUSHER AXLES

FRONT AXLES

DRIVE AXLES

PINION SEALS

CONMET®

LIGHT TRUCK

Mfr Line Number	Scotseal® PlusXL	Scotseal® Classic	Scotseal® Longlife	Inner (Cone/Cup)	Outer (Cone/Cup)	Grease Seal Location	Grease Seal Number
--------------------	---------------------	----------------------	-----------------------	---------------------	---------------------	-------------------------	-----------------------

Brown

1							Inner Seal Kit 4.766" Shaft 1211 Outer Seal Kit 31378 Inner Seal Kit 4.824" Shaft 54930
---	--	--	--	--	--	--	---

Capacity - See Axle Mfr.

Champion Motors - See Axle Mfr.

Chevrolet - See GMC

Clark Axle Model Index

Model	Line No.	Model	Line No.	Model	Line No.	Model	Line No.
R1250	1	RD-22500	2				

Mfr Line Number	Scotseal® PlusXL	Scotseal® Classic	Scotseal® Longlife	Inner (Cone/Cup)	Outer (Cone/Cup)	Grease Seal Location	Grease Seal Number
--------------------	---------------------	----------------------	-----------------------	---------------------	---------------------	-------------------------	-----------------------

Clark

1		38709		BR42688/ BR42620	BR39585/ BR39520		
2				BR685/ BR672	BR48190/ BR48120		

Coleman Axle Model Index

Model	Line No.	Model	Line No.	Model	Line No.	Model	Line No.
SD12	1	SD9	1				

Mfr Line Number	Scotseal® PlusXL	Scotseal® Classic	Scotseal® Longlife	Inner (Cone/Cup)	Outer (Cone/Cup)	Grease Seal Location	Grease Seal Number
--------------------	---------------------	----------------------	-----------------------	---------------------	---------------------	-------------------------	-----------------------

Coleman

1				BR36690/ BR36620	BR36690/ BR36620		
---	--	--	--	---------------------	---------------------	--	--

Crane Carrier - See Axle Mfr.

Crown Coach - See Axle Mfr.

Dana - See Spicer

Dart - See Axle Mfr.

Daybrook Ottawa - See Axle Mfr.

Diamond Reo - See Axle Mfr.

Diamond T Axle Model Index

Model	Line No.	Model	Line No.	Model	Line No.	Model	Line No.
201	2	401	2	723CJT	4	921N	5
222	2	404	2	730	4	921NT	5
244S	2	404C	2	734	4	923	4
3000	1	422	2	738	4	923C	4
301	2	422C	2	738R	6	950	7
304	2	4 Ton		810H	7	951	7
306	2	Wrecker	3	830	4	951S	7
306C	2	520	2	831	4	D3000	1
306H	2	620	2	838	4		
306SC	2	720	4	920	5		
307	2	720C	4	921BR	5		
322	2	722	5	921CNT	5		
323	2	723	4	921DBN	7		
323C	2	723C	4	921FN	5		

Mfr Line Number	Scotseal® PlusXL	Scotseal® Classic	Scotseal® Longlife	Inner (Cone/Cup)	Outer (Cone/Cup)	Grease Seal Location	Number
--------------------	---------------------	----------------------	-----------------------	---------------------	---------------------	-------------------------	--------

Diamond T

1						Outer Seal Kit	25160 39385
2						Inner Clark R656 Axle	31250 31870 38703
3						Inner	25043
4						Inner Square Hsg. Exc. R-S Ends	38777 43820

APPLICATIONS

TRAILER, TAG & PUSH AXLES

FRONT AXLES

DRIVE AXLES

PINION SEALS

CONMET®

LIGHT TRUCK

Mfr Line Number	Scotseal® PlusXL	Scotseal® Classic	Scotseal® Longlife	Inner (Cone/Cup)	Outer (Cone/Cup)	Grease Seal Location	Grease Seal Number
Diamond T (continued)							
5						Inner Seal Kit w/4.766" Shaft	1211
						Outer Seal Kit - 8 Bolt Holes	31378
						Inner Seal Kit w/4.824" Shaft	54930
6						Inner	38777
7						Inner Seal Kit - 4.766" Shaft	1212
						Inner Seal Kit - 4.824" Shaft	54935

Divco (Correct Mfg. Co.) - See Axle Mfr.

Dodge Axle Model Index

Model	Capacity	Line No.	Model	Capacity	Line No.	Model	Capacity	Line No.
1315	13000 lbs.	5	38D3B	38000 lbs.	3	H120	17000 lbs.	1
1350A5		5	38D3C	38000 lbs.	3	H161	18000 lbs.	3
15 Series		5	38D3D	38000 lbs.	3	H172	17500 lbs.	3
16800	16000 lbs.	7	38D3E	38000 lbs.	3	H320	17000 lbs.	1
16801	16000 lbs.	7	38DP	38000 lbs.	3	H341	17000 lbs.	3
16 Series		7	38DPC	38000 lbs.	3	L100	18500 lbs.	10
17 Series		8	38DPE	38000 lbs.	3	L110	18500 lbs.	4
18100	22000 lbs.	3	38DS	38000 lbs.	3	L140	18500 lbs.	10
18101	22000 lbs.	3	38DSC	38000 lbs.	3	L145	18500 lbs.	10
18120	22000 lbs.	3	38DSE	38000 lbs.	3	L200	18500 lbs.	10
18201	22000 lbs.	3	38DT	38000 lbs.	3	L245	18500 lbs.	10
18301	22000 lbs.	3	38DTC	38000 lbs.	3	L300	18500 lbs.	10
18302	22000 lbs.	3	38DTE	38000 lbs.	3	L340	18500 lbs.	10
1880	22000 lbs.	3	38R3	38000 lbs.	3	L345	18500 lbs.	10
1881	22000 lbs.	3	38R3C	38000 lbs.	3	RA115	11500 lbs.	2
18812	22000 lbs.	3	38R3E	38000 lbs.	3	RQ Series		3
18 Series		3	38RP	38000 lbs.	3	RSH Series		7
1910	23000 lbs.	6	38RPC	38000 lbs.	3	RSL155		8
1911	23000 lbs.	6	38RPE	38000 lbs.	3	R/W L155		11
1918	23000 lbs.	6	38RSC	38000 lbs.	3	R/W Q Series		9
19800	23000 lbs.	6	38RSE	38000 lbs.	3	R/W R Series		9
19 Series		10	38RT	38000 lbs.	3			
30D		7	38RTC	38000 lbs.	3			
30DSC	30000 lbs.	3	38RTE	38000 lbs.	3			
30RSC	30000 lbs.	3	8803	22000 lbs.	3			
34D		8	AY3		1			
38D	38000 lbs.	3	BY3		1			
38D3	38000 lbs.	3	H100	17000 lbs.	3			

Mfr Line Number	Scotseal® PlusXL	Scotseal® Classic	Scotseal® Longlife	Inner (Cone/Cup)	Outer (Cone/Cup)	Grease Seal Location	Grease Seal Number
Dodge							
1		47690		594-A/ 592-A ▲SET403	BR580/ BR572 ▲SET401		
2		32470		BR3984/ BR3920	BR462/ 453-X	Inner	31855
3	47692	47697 or 47698 ⁵ 43860	47693	BR598/ 592-A BR598/ 592-A	BR575/ BR572 BR575/ BR572		
4		39380		663-A/ BR653	BR42687/ BR42620		
		42800		663-A/ BR653	BR42687/ BR42620		
5	34384	34387		BR33287/ BR33462	BR3982/ BR3920		
6		45152		BR594/ 592-A	BR580/ BR572 ▲SET401		
7		38709		BR42688/ BR42620	BR39585/ BR39520		
8		38750		BR47686/ BR47620 ▲SET411	BR39590/ BR39520 ▲SET408		
9	47692	47697	47693	598-A/ 592-A ▲SET404	BR580/ BR572 ▲SET401		
10	47692	47697	47693	BR594/ 592-A	BR580/ BR572 ▲SET401		
11	38776	38780		BR47686/ BR47620 ▲SET411	BR39590/ BR39520 ▲SET408		

Duplex Axle Model Index

Model	Line No.	Model	Line No.	Model	Line No.	Model	Line No.
FA824	1	L6602	2	LC600-4	1	SH529	2
K50T	2	L6602-4	1	RH6	4	T380	5
L	2	LC600	2	R Series	3	TH339	4

APPLICATIONS

TRAILER, TAG & PUSHER AXLES

FRONT AXLES

DRIVE AXLES

PINION SEALS

CONMET®

LIGHT TRUCK

Mfr Line Number	Scotseal® PlusXL	Scotseal® Classic	Scotseal® Longlife	Inner (Cone/Cup)	Outer (Cone/Cup)	Grease Seal Location	Grease Seal Number
Duplex							
1						Outer	25043
						Inner	47395
2						Inner Seal Kit	
						4.766" Shaft	1212
						Inner Seal Kit	
						4.824" Shaft	54935
3						Inner Seal Kit	
						4.766" Shaft	1211
						Inner Seal Kit	
						4.824" Shaft	54930
4		42800				Outer - 2.250" Shaft	22492
5						Outer Seal Kit	25160
						Inner	39385

Eagle - See Axle Mfr.

Eaton Axle Model Index

Model	Capacity	Line No.	Model	Capacity	Line No.	Model	Capacity	Line No.
0502		50	1615	16000 lbs.	19	17202	19000 lbs.	23
0503		50	1618	16000 lbs.	19	17207	18500 lbs.	36
1204	12000 lbs.	10	1619	16000 lbs.	19	17220	18500 lbs.	23
1206	12000 lbs.	51	1620	16000 lbs.	20	17220-1		67
1250	12000 lbs.	9	16220	17000 lbs.	21	17221	18500 lbs.	23
1265	12000 lbs.	10	162201		42	17222	18500 lbs.	57
1275	12000 lbs.	10	16220-1		66	17227	18500 lbs.	36
1277	12000 lbs.	10	16221	17000 lbs.	21	17300	18500 lbs.	61
1280	12000 lbs.	11	16244	17500 lbs.	21	173001		61
1281	12000 lbs.	11	16247	17500 lbs.	36	17300-1		67
1295	12000 lbs.	11	16320	17000 lbs.	53	17301	18500 lbs.	61
1300	13000 lbs.	11	163201	17000 lbs.	56	17302	18500 lbs.	23
13000	15000 lbs.	12	16320-1		66	17320	18500 lbs.	61
13100	15000 lbs.	12	16321	17000 lbs.	53	173201		61
13101	15000 lbs.	12	16344	17000 lbs.	56	17320-1		67
1315	15000 lbs.	51	16500	16000 lbs.	21	17321	17000 lbs.	23
1350	13000 lbs.	13	16501	16000 lbs.	21	17401	17000 lbs.	23
13600	15000 lbs.	14	16600	16000 lbs.	21	17421	17000 lbs.	23
13602	15000 lbs.	14	16601	16000 lbs.	21	17500	18500 lbs.	23
13800	15000 lbs.	15	16800	16000 lbs.	21	17501	18500 lbs.	23
13802	15000 lbs.	16	16801	16000 lbs.	21	17600	18500 lbs.	23
13803	15000 lbs.	16	16802	16000 lbs.	21	17601	18500 lbs.	23
15040P	15000 lbs.	54	16803	16000 lbs.	21	17700	18500 lbs.	23
15040S	15000 lbs.	17	17000	17000 lbs.	22	17701	18500 lbs.	23
15040T	15000 lbs.	17	17001	18500 lbs.	57	1780	18500 lbs.	22
15101	15000 lbs.	17	17100	17000 lbs.	23	17800	18500 lbs.	23
15121	15000 lbs.	17	171001		61	17801	18500 lbs.	23
15201	15000 lbs.	16	17100-1		67	17810	18500 lbs.	23
15301	15000 lbs.	54	17101	17000 lbs.	23	17811	18500 lbs.	57
16000	17000 lbs.	18	17120	18500 lbs.	23	17815	18500 lbs.	23
16001	16000 lbs.	55	171201		61	1790	18500 lbs.	23
16050	17000 lbs.	18	17120-1		67	17901	18500 lbs.	41
16051	17000 lbs.	18	17121	17000 lbs.	23	1790A	18500 lbs.	23
16120	17000 lbs.	19	1715	18500 lbs.	23	1791	18500 lbs.	23
161201		42	1716	18500 lbs.	23	1791A	18500 lbs.	23
16120-1		66	17200	19000 lbs.	23	1792	18500 lbs.	23
16121	17000 lbs.	19	172001		61	1793	18500 lbs.	23
16122	17000 lbs.	19	17200-1		67	1795	18500 lbs.	15
1614	16000 lbs.	19	17201	19000 lbs.	23	1796	18500 lbs.	23

For in-text symbols, see page 6.

Eaton Axle Model Index (continued)

Model	Capacity	Line No.	Model	Capacity	Line No.	Model	Capacity	Line No.
1800	19000 lbs.	41	1911	23000 lbs.	25	22101	22000 lbs.	7
18000 Series		68	19120	23000 lbs.	25	22121	22000 lbs.	7
1801	19000 lbs.	41	191201		60	22127	22000 lbs.	36
1802	19000 lbs.	48	19121	22000 lbs.	25	22200	22000 lbs.	7
1803	19000 lbs.	48	1918	23000 lbs.	25	22201	22000 lbs.	7
18100	22000 lbs.	24	1919	24000 lbs.	25	22221	22000 lbs.	7
181001	22000 lbs.	47	19200	23000 lbs.	24	22227	22000 lbs.	36
18100-1	22000 lbs.	73	192001		60	22321	23000 lbs.	47
18101	22000 lbs.	24	19201	23000 lbs.	24	22421	22000 lbs.	7
18120	22000 lbs.	3	19202	23000 lbs.	25	22500	23000 lbs.	5
181201	22000 lbs.	47	19220	23000 lbs.	25	22501	23000 lbs.	5
18120-1	22000 lbs.	73	19220-1		73	22L	22000 lbs.	39
18121	22000 lbs.	24	19221	23000 lbs.	25	22M	22000 lbs.	28
18200	22000 lbs.	24	19300	23000 lbs.	47	22MF	22000 lbs.	1
182001	22000 lbs.	47	193001		60	22MR	22000 lbs.	1
18200-1	22000 lbs.	73	19300-1		73	22R	22000 lbs.	39
18201	22000 lbs.	24	19301	23000 lbs.	25	2300S	23000 lbs.	7
18202	22000 lbs.	24	19320	23000 lbs.	47	23070P	23000 lbs.	47
18207	22000 lbs.	36	193201		60	23070S	23000 lbs.	7
18220	22000 lbs.	24	19320-1		73	23070T	23000 lbs.	7
18221	22000 lbs.	24	19321	23000 lbs.	47	230T4	23000 lbs.	7
18222	22000 lbs.	24	19400	23000 lbs.	47	23100	23000 lbs.	7
18227	22000 lbs.	36	19420	23000 lbs.	25	23101	23000 lbs.	7
18300	22000 lbs.	24	194201		60	23105		73
18300-1		73	19420-1		73	23105C	23000 lbs.	7
18301	22000 lbs.	24	19421	22000 lbs.	24	23105S	23000 lbs.	7
18302	22000 lbs.	24	19426	23000 lbs.	25	23121	23000 lbs.	7
18320	22000 lbs.	59	19500	23000 lbs.	25	23200	23000 lbs.	7
18320-1		73	19501	23000 lbs.	25	23201	23000 lbs.	7
18321	22000 lbs.	59	19502	23000 lbs.	25	23221	23000 lbs.	7
18322	22000 lbs.	24	19503	23000 lbs.	25	23300	23000 lbs.	7
18500	22000 lbs.	1	19512	23000 lbs.	25	23321	23000 lbs.	7
18501	22000 lbs.	1	19513	23000 lbs.	25	23400	23000 lbs.	7
18502	22000 lbs.	47	19515	23000 lbs.	25	23420	23000 lbs.	7
18503	22000 lbs.	47	19800	23000 lbs.	25	23421	23000 lbs.	7
1860	21000 lbs.	48	19801	24000 lbs.	25	23L	23000 lbs.	40
18600	22000 lbs.	1	19802	23000 lbs.	25	23L501	23000 lbs.	40
18601	22000 lbs.	1	19803	23000 lbs.	47	23R	23000 lbs.	40
1861	22000 lbs.	1	19 Series (Van Hool Bus)		69	24L	23000 lbs.	40
1862	22000 lbs.	1	2000		62	25LD	25000 lbs.	41
1863	22000 lbs.	1	20000	29000 lbs.	58	25LD501	25000 lbs.	41
18700	22000 lbs.	1	2010	23000 lbs.	52	25R	25000 lbs.	40
18701	22000 lbs.	1	20100	23000 lbs.	58	25RD	25000 lbs.	40
1880	22000 lbs.	1	2011	23000 lbs.	52	2602	23000 lbs.	31
18800	22000 lbs.	1	20120	23000 lbs.	58	2603	23000 lbs.	31
18802	22000 lbs.	1	20200	23000 lbs.	58	26085P	26000 lbs.	7
18803	22000 lbs.	1	20220	23000 lbs.	58	26085S	26000 lbs.	7
1881	22000 lbs.	1	20300	23000 lbs.	58	26085T	26000 lbs.	7
18812	23000 lbs.	8	20320	23000 lbs.	58	2610	23000 lbs.	31
18812-3	22000 lbs.	3	20500	23000 lbs.	26	26100	26000 lbs.	7
188123	22000 lbs.	47	20501	23000 lbs.	26	2611	23000 lbs.	31
18813	23000 lbs.	8	20502	23000 lbs.	58	26121	26000 lbs.	7
1890	22000 lbs.	1	20503	23000 lbs.	58	2613	21000 lbs.	23
1891	22000 lbs.	1	20800	29000 lbs.	58	26134	21000 lbs.	41
1892	22000 lbs.	1	20801	23000 lbs.	27	2614	21000 lbs.	23
1893	22000 lbs.	1	21060		73	2615	21000 lbs.	23
1895	22000 lbs.	1	21065S	21000 lbs.	7	2616	21000 lbs.	23
1896	22000 lbs.	1	21065T	21000 lbs.	7	26200	26000 lbs.	7
18 Series (Van Hool Bus)		69	21100	21000 lbs.	7	26221	26000 lbs.	7
1900	22000 lbs.	62	21101	21000 lbs.	7	2627	22000 lbs.	29
19000 Series		60	21121	21000 lbs.	7	26321	26000 lbs.	7
19001	22000 lbs.	52	21127	21000 lbs.	36	26421	26000 lbs.	47
19050P	19000 lbs.	41	21200	21000 lbs.	7	26426	26000 lbs.	47
19050S	19000 lbs.	2	21201	21000 lbs.	7	2695	22000 lbs.	30
19050T	19000 lbs.	2	21221	21000 lbs.	7	2696	22000 lbs.	30
19055D	19000 lbs.	41	21223	21000 lbs.	47	2730	22000 lbs.	60
19055S	19000 lbs.	41	21227	21000 lbs.	36	2731	23000 lbs.	25
19055T	19000 lbs.	41	21421	22000 lbs.	3	2750	22000 lbs.	1
1910	23000 lbs.	25	21421	21000 lbs.	7	2817		65
19100	22000 lbs.	24	22065S	22000 lbs.	7	28M	28000 lbs.	21
19100-1		73	22065T	22000 lbs.	7	28MF	28000 lbs.	21
19101	22000 lbs.	24	22100	22000 lbs.	7	28MFA	28000 lbs.	21

A P P L I C A T I O N S
T R A I L E R , T A G & P U S H E R A X L E S
F R O N T A X L E S
D R I V E A X L E S
P I N I O N S E A L S
C O N M E T®
L I G H T T R U C K

Eaton Axle Model Index (continued)

Model	Capacity	Line No.	Model	Capacity	Line No.	Model	Capacity	Line No.
28MR	28000 lbs.	21	34R	34000 lbs.	33	38RPC	38000 lbs.	35
28MRA	28000 lbs.	21	34R3	34000 lbs.	33	38RPD	38000 lbs.	44
28R	28000 lbs.	21	34R3B	34000 lbs.	2	38RPE	38000 lbs.	44
30D	30000 lbs.	21	34R3C	34000 lbs.	41	38RS	38000 lbs.	35
30D3	32000 lbs.	21	34R3D	34000 lbs.	41	38RSA	38000 lbs.	35
30DP	33000 lbs.	21	34R3E	34000 lbs.	41	38RSB	38000 lbs.	44
30DPA	32000 lbs.	21	34RP	34000 lbs.	33	38RSC	38000 lbs.	35
30DPC	32000 lbs.	21	34RPA	34000 lbs.	33	38RSD	38000 lbs.	44
30DS	30000 lbs.	21	34RPB	34000 lbs.	41	38RSE	38000 lbs.	35
30DSA	32000 lbs.	21	34RPC	34000 lbs.	33	38RT	38000 lbs.	35
30DSC	32000 lbs.	21	34RPD	34000 lbs.	41	38RT3	38000 lbs.	35
30DSE	30000 lbs.	55	34RPE	34000 lbs.	33	38RTB	38000 lbs.	44
30DT	32000 lbs.	21	34RPH	34000 lbs.	33	38RTC	38000 lbs.	44
30DTA	32000 lbs.	21	34RS	34000 lbs.	33	38RTC3	38000 lbs.	35
30DTC	32000 lbs.	21	34RSA	34000 lbs.	33	38RTD	38000 lbs.	44
30DTC3	32000 lbs.	21	34RSB	34000 lbs.	41	38RTE	38000 lbs.	44
30M	30000 lbs.	21	34RSC	34000 lbs.	33	38 Series		71
30MF	30000 lbs.	42	34RSD		61	38 Series (van Hool Bus)		69
30MR	30000 lbs.	42	34RSE	34000 lbs.	33	42000	42000 lbs.	58
30R	30000 lbs.	55	34RT	34000 lbs.	33	42D	42000 lbs.	36
30R3	32000 lbs.	21	34RT3	34000 lbs.	33	42D3	42000 lbs.	36
30RP	32000 lbs.	21	34RTA	34000 lbs.	33	42DP	42000 lbs.	36
30RPA	32000 lbs.	21	34RTB	34000 lbs.	41	42DPB	42000 lbs.	36
30RPC	32000 lbs.	21	34RTC	34000 lbs.	33	42DPC	42000 lbs.	36
30RS	32000 lbs.	21	34RTD	34000 lbs.	41	42DPD	42000 lbs.	45
30RSA	32000 lbs.	21	34RTE	34000 lbs.	33	42DS	42000 lbs.	45
30RSC	32000 lbs.	21	34 Series		67	42DSA	42000 lbs.	36
30RT	32000 lbs.	21	35327	35000 lbs.	64	42DT	42000 lbs.	45
30RTA	32000 lbs.	21	36M	36000 lbs.	34	42DTA	42000 lbs.	36
30RTC	32000 lbs.	21	36MF	36000 lbs.	43	42DTB	42000 lbs.	45
30RTC3	32000 lbs.	21	36MR	36000 lbs.	43	42DTD	42000 lbs.	45
32M	32000 lbs.	32	36R	36000 lbs.	34	42M	42000 lbs.	46
32MF	32000 lbs.	41	36 Series		74	42MF	42000 lbs.	46
32MR	32000 lbs.	41	3802	15000 lbs.	51	42MR	42000 lbs.	46
32R		32	38D	38000 lbs.	35	42R3	42000 lbs.	45
3400		41	38D3	38000 lbs.	35	42RP	42000 lbs.	36
34C		61	38D3B	38000 lbs.	35	42RS	42000 lbs.	45
34D	34000 lbs.	33	38D3C	38000 lbs.	35	42RT	42000 lbs.	45
34D3	34000 lbs.	33	38D3D	38000 lbs.	44	44D	44000 lbs.	37
34D3B	34000 lbs.	33	38D3E	38000 lbs.	35	44DP	44000 lbs.	37
34D3C	34000 lbs.	33	38DP	38000 lbs.	35	44DS	44000 lbs.	37
34D3D		61	38DPA	38000 lbs.	35	44DSM	44000 lbs.	47
34D3E	34000 lbs.	41	38DPB	38000 lbs.	35	44DT	44000 lbs.	37
34DP	34000 lbs.	33	38DPC	38000 lbs.	35	44R	44000 lbs.	48
34DPA	34000 lbs.	33	38DPD	38000 lbs.	44	44RP	44000 lbs.	44
34DPB	34000 lbs.	33	38DPE	38000 lbs.	35	44RS	44000 lbs.	3
34DPC	34000 lbs.	33	38DS	38000 lbs.	35	44RSM	44000 lbs.	3
34DPD		61	38DSA	38000 lbs.	35	44RT	44000 lbs.	3
34DPE	34000 lbs.	33	38DSB	38000 lbs.	35	44 Series		72
34DPH	34000 lbs.	33	38DSC	38000 lbs.	35	46M	50000 lbs.	38
34DPK		61	38DSD	38000 lbs.	44	46MF	46000 lbs.	46
34DPN		61	38DSE	38000 lbs.	35	46MR	46000 lbs.	46
34DS	34000 lbs.	33	38DSK		63	46R	50000 lbs.	38
34DSA	34000 lbs.	33	38DSN		63	50D	50000 lbs.	46
34DSB	34000 lbs.	33	38DT	38000 lbs.	35	50DP	50000 lbs.	3
34DSC	34000 lbs.	33	38DT3	38000 lbs.	35	50DT	50000 lbs.	44
34DSD		61	38DTA	38000 lbs.	35	50M	50000 lbs.	5
34DSE	34000 lbs.	33	38DTB	38000 lbs.	35	50R	50000 lbs.	44
34DSK		61	38DTC	38000 lbs.	35	50RP	50000 lbs.	44
34DSN		61	38DTC3	38000 lbs.	35	50RT	50000 lbs.	44
34DT	34000 lbs.	33	38DTD	38000 lbs.	44	50 Series		70
34DT3	34000 lbs.	33	38DTE	38000 lbs.	35	65D	50000 lbs.	5
34DTA	34000 lbs.	33	38DTK		63	6600	16000 lbs.	53
34DTB	34000 lbs.	33	38DTN		63	6601	16000 lbs.	53
34DTC	34000 lbs.	33	38R3	38000 lbs.	35	6802	16000 lbs.	53
34DTD		61	38R3B	38000 lbs.	44	6803	16000 lbs.	6
34DTE	34000 lbs.	33	38R3C	38000 lbs.	44	7800	18500 lbs.	2
34DTK		61	38R3D	38000 lbs.	44	7801	18500 lbs.	2
34DTN		61	38R3E	38000 lbs.	44	7810	18500 lbs.	2
34M	34000 lbs.	33	38RP	38000 lbs.	35	8800	22000 lbs.	24
34MF	34000 lbs.	33	38RPA	38000 lbs.	35	8802	22000 lbs.	24
34MR	34000 lbs.	33	38RPB	38000 lbs.	44	8803	22000 lbs.	24

For in-text symbols, see page 6.

Eaton Axle Model Index (continued)

Model	Capacity	Line No.	Model	Capacity	Line No.	Model	Capacity	Line No.
8812	22000 lbs.	24	DS340P	34000 lbs.	41	RC460	46000 lbs.	47
8813	22000 lbs.	47	DS341	34000 lbs.	2	RC461	46000 lbs.	47
9502	23000 lbs.	47	DS341P	34000 lbs.	41	RC480	48000 lbs.	47
9503	23000 lbs.	24	DS380	38000 lbs.	7	RC521	52000 lbs.	47
9512	23000 lbs.	24	DS380P	38000 lbs.	7	RP340	34000 lbs.	41
9515		47	DS381	38000 lbs.	7	RP341	34000 lbs.	41
D340	34000 lbs.	41	DS381P	38000 lbs.	7	RP380	38000 lbs.	44
D340P	34000 lbs.	41	DS386P	38000 lbs.	7	RP381	38000 lbs.	47
D341P3	34000 lbs.	2	DS400	40000 lbs.	7	RP400	40000 lbs.	44
D34P3	34000 lbs.	2	DS400P	40000 lbs.	7	RP401	40000 lbs.	47
D380	38000 lbs.	49	DS401	40000 lbs.	7	RP402	40000 lbs.	47
D400	40000 lbs.	49	DS401P	40000 lbs.	7	RP440	44000 lbs.	47
D440P	44000 lbs.	47	DS402	40000 lbs.	7	RP451	45000 lbs.	47
D480P	48000 lbs.	47	DS402P	40000 lbs.	7	RP460	46000 lbs.	47
DC341	34000 lbs.	41	DS440	44000 lbs.	7	RP480	48000 lbs.	47
DC381	38000 lbs.	47	DS440P	44000 lbs.	7	RP481	48000 lbs.	48
DC401P	40000 lbs.	47	DS451P	45000 lbs.	47	RP550	55000 lbs.	64
DC402	40000 lbs.	47	DS456P	45000 lbs.	7	RP580	58000 lbs.	46
DC451P	45000 lbs.	47	DS460P	46000 lbs.	7	RP650	65000 lbs.	64
DC460P	46000 lbs.	47	DS461P	46000 lbs.	7	RPD	38000 lbs.	44
DC461P	46000 lbs.	47	DS480P	48000 lbs.	7	RS340	34000 lbs.	2
DC480P	48000 lbs.	47	DS521P	52000 lbs.	47	RS380	38000 lbs.	44
DC521P	52000 lbs.	47	DS581P	58000 lbs.	41	RS400	40000 lbs.	49
DC581P	58000 lbs.	46	DS650P	65000 lbs.	5	RS440	44000 lbs.	47
DF380	38000 lbs.	1	DSP50		6	RS460	46000 lbs.	47
DI340P	34000 lbs.	41	DT340	34000 lbs.	2	RS480	48000 lbs.	47
DP340	34000 lbs.	41	DT340P	34000 lbs.	41	RT340	34000 lbs.	41
DP340P	34000 lbs.	2	DT341	34000 lbs.	2	RT341	34000 lbs.	41
DP341	34000 lbs.	2	DT341P	34000 lbs.	41	RT380	38000 lbs.	44
DP341P	34000 lbs.	41	DT380	38000 lbs.	7	RT381	38000 lbs.	47
DP380	38000 lbs.	3	DT380P	38000 lbs.	7	RT400	40000 lbs.	47
DP380P	38000 lbs.	49	DT381	38000 lbs.	7	RT401	40000 lbs.	47
DP381	38000 lbs.	3	DT381P	38000 lbs.	7	RT402	40000 lbs.	47
DP381P	38000 lbs.	3	DT400	40000 lbs.	7	RT440	44000 lbs.	47
DP400	40000 lbs.	44	DT400P	40000 lbs.	7	RT451	45000 lbs.	47
DP400P	40000 lbs.	46	DT401	40000 lbs.	47	RT460P	46000 lbs.	3
DP401	40000 lbs.	47	DT401P	40000 lbs.	7	RT460T	46000 lbs.	47
DP401P	40000 lbs.	3	DT402	40000 lbs.	7	RT480	48000 lbs.	47
DP402	40000 lbs.	47	DT402P	40000 lbs.	7	RT485	48000 lbs.	48
DP402P	40000 lbs.	3	DT440	44000 lbs.	7	SP50		6
DP406P	40000 lbs.	3	DT440P	44000 lbs.	7	SP521	52000 lbs.	47
DP440	44000 lbs.	47	DT441P	44000 lbs.	7	SP550	55000 lbs.	64
DP440P	44000 lbs.	4	DT451P	45000 lbs.	47	SP580	58000 lbs.	46
DP451P	45000 lbs.	47	DT460P	46000 lbs.	7	SP601	60000 lbs.	41
DP456P	45000 lbs.	4	DT461P	46000 lbs.	7	SP650	65000 lbs.	64
DP460P	46000 lbs.	4	DT480P	48000 lbs.	7	SP651	65000 lbs.	45
DP461P	46000 lbs.	4	DT481P	44000 lbs.	7	ST480	48000 lbs.	47
DP480	48000 lbs.	47	DT485P	48000 lbs.	48	TP521	52000 lbs.	47
DP480P	48000 lbs.	4	DT50	50000 lbs.	44	TP550	55000 lbs.	64
DP481	48000 lbs.	48	DT521P	52000 lbs.	47	TP580	58000 lbs.	5
DP481P	48000 lbs.	4	DT601P	60000 lbs.	41	TP601	60000 lbs.	41
DP485P	48000 lbs.	48	DT651P	65000 lbs.	45	TP650	65000 lbs.	64
DP50	50000 lbs.	44	EG660		45	TP651	65000 lbs.	45
DP521P	52000 lbs.	47	P174	19000 lbs.	2	U191RC		8
DP550	55000 lbs.	5	P601	19000 lbs.	2			
DP580	58000 lbs.	5	R340	34000 lbs.	41			
DP580P	58000 lbs.	46	R380	38000 lbs.	44			
DP581P	58000 lbs.	41	R400	40000 lbs.	44			
DP601P	60000 lbs.	41	RC341	34000 lbs.	41			
DP650	63000 lbs.	46	RC381	38000 lbs.	47			
DP650P	65000 lbs.	5	RC401	40000 lbs.	47			
DP651P	65000 lbs.	45	RC402	40000 lbs.	47			
DS340	34000 lbs.	2	RC451	45000 lbs.	47			

A P P L I C A T I O N S
TRAILER, TAG & PUSH AXLES
FRONT AXLES
DRIVE AXLES
PINION SEALS
CONMET®
LIGHT TRUCK

Mfr Line Number	Scotseal® PlusXL	Scotseal® Classic	Scotseal® Longlife	Inner (Cone/Cup)	Outer (Cone/Cup)	Grease Seal Location	Grease Seal Number
Eaton							
1							
Ford - 4.375" Shaft		43860		BR598/ 592-A	BR575/ BR572	Inner	43820
Ford - 4.500" Shaft	45157	45160		BR598/ 592-A	BR580/ BR572 ▲SET401	Outer	29887
						Inner	45150
Ford - 3.625" Inner Cone I.D. ..	47692	47697 or 47698 ⁵	47693	BR598/ 592-A	BR575/ BR572		
Freightliner - w/ OEM Bushing	47692	47697 or 47698 ⁵	47693	BR598/ 592-A	BR575/ BR572		
Freightliner - w/o OEM Bushing & 3.625" Inner Cone I.D.		43875		BR598/ 592-A	BR575/ BR572		
Freightliner - w/o OEM Bushing & 3.750" Inner Cone I.D.		43875		BR594/ 592-A	BR575/ BR572		
GMC		43860		BR598/ 592-A	BR575/ BR572	Inner	43820
GMC - w/ OEM Bushing & 3.625" Inner Cone I.D. ...	47692	47697 or 47698 ⁵	47693	BR598/ 592-A	BR575/ BR572		
Kenworth - w/ OEM Bushing..	47692	47697 or 47698 ⁵	47693	BR594/ 592-A	BR575/ BR572		
Kenworth - w/o OEM Bushing & 3.625" Inner Cone I.D. ...		43875		BR598/ 592-A	BR575/ BR572		
Kenworth - w/o OEM Bushing & 3.750" Inner Cone I.D. ...		43875		BR594/ 592-A	BR575/ BR572		
Navistar		43860		BR598/ 592-A	BR575/ BR572	Inner	43820
Peterbilt - w/ OEM Bushing..	47692	47697 or 47698 ⁵	47693	BR598/ 592-A	BR575/ BR572		
Peterbilt - 3.625" Inner Cone I.D.	47692	47697 or 47698 ⁵	47693	BR598/ 592-A	BR575/ BR572		
Peterbilt - w/o OEM Bushing & 3.625" Inner Cone I.D. ...		43875		BR598/ 592-A	BR575/ BR572		
Peterbilt - w/o OEM Bushing & 3.750" Inner Cone I.D. ...		43875		BR594/ 592-A	BR575/ BR572		
White		43860		BR598/ 592-A	BR575/ BR572	Inner	43820
2							
Ford	38776	38780		BR47686/ BR47620 ▲SET411	BR39590/ BR39520 ▲SET408	Inner - Seal Kit	1308
GMC - 5.506" Seal O.D. ...		38750		BR47686/ BR47620 ▲SET411	BR39590/ BR39520 ▲SET408	Inner - Seal w/o Sleeve	38777
GMC - 5.696" Seal O.D. ...	38776	38780		BR47686/ BR47620 ▲SET411	BR39590/ BR39520 ▲SET408	Inner Seal Kit	1214
Navistar	38776	38780		BR47686/ BR47620 ▲SET411	BR39590/ BR39520 ▲SET408	Inner - .500" Width	38774
						Inner - .750" Width	38777

For in-text symbols, see page 6.

Mfr Line Number	Scotseal® PlusXL	Scotseal® Classic	Scotseal® Longlife	Inner (Cone/Cup)	Outer (Cone/Cup)	Grease Seal Location	Grease Seal Number
Eaton (continued)							
White	38776	38780		BR47686/ BR47620 ▲SET411	BR39585/ BR39520	Inner	38777
3 Ford - 4.500" Shaft	45157	45160		594-A/ 592-A ▲SET403	BR580/ BR572 ▲SET401	Outer	29887
Ford - 4.766" Shaft	47692	47697	47693	594-A/ 592-A ▲SET403	BR580/ BR572 ▲SET401	Inner - Seal Only	49050
GMC - 6.006" Seal O.D. ...		47690		594-A/ 592-A ▲SET403	BR580/ BR572 ▲SET401	Inner - Sleeve	81774
GMC - 6.259" Seal O.D. ...	48002	48000		594-A/ 592-A ▲SET403	BR580/ BR572 ▲SET401		
GMC - 6.316" Seal O.D. ...	47692	47697 or 47698 ⁵	47693	598-A/ 592-A ▲SET404	BR580/ BR572 ▲SET401		
Navistar - w/3.625" Inner Cone I.D.	47692	47697 or 47698 ⁵	47693	BR598/ 592-A	BR580/ BR572 ▲SET401	Inner Seal Kit	1211
Navistar - 3.750" Inner Cone I.D.	47692	47697 or 47698 ⁵	47693	594-A/ 592-A ▲SET403	BR580/ BR572 ▲SET401	Outer Seal Kit	31378
4 Ford - 4.375" Shaft		43860		BR595/ 592-A	BR580/ BR572 ▲SET401	Inner	43820
Ford - 4.766" Shaft	47692	47697 or 47698 ⁵	47693	594-A/ 592-A ▲SET403	BR580/ BR572 ▲SET401	Inner - Seal	49050
Freightliner - w/ OEM Spacer.	47692	47697 or 47698 ⁵	47693	BR598/ 592-A	BR580/ BR572 ▲SET401	Inner - Sleeve	81774
Freightliner - w/ OEM Spacer & 3.750" Inner Cone I.D. ...	47692	47697 or 47698 ⁵	47693	BR594/ 592-A	BR580/ BR572 ▲SET401		
Freightliner - w/o OEM Space		43875		BR598/ 592-A	BR580/ BR572 ▲SET401		
GMC - 6.006" Seal O.D. ...		47690		594-A/ 592-A ▲SET403	BR580/ BR572 ▲SET401		
GMC - 6.259" Seal O.D. ...	48002	48000		594-A/ 592-A ▲SET403	BR580/ BR572 ▲SET401		
GMC - 6.316" Seal O.D. ...	47692	47697 or 47698 ⁵	47693	598-A/ 592-A ▲SET404	BR580/ BR572 ▲SET401		
Kenworth - w/ OEM Bushing..	47692	47697 or 47698 ⁵	47693	BR598/ 592-A	BR580/ BR572 ▲SET401		
Kenworth - w/ OEM Bushing & 3.750" Inner Cone I.D. ...	47692	47697 or 47698 ⁵	47693	BR594/ 592-A	BR580/ BR572 ▲SET401		

APPLICATIONS
 TRAILER, TAG & PUSHER AXLES
 FRONT AXLES
 DRIVE AXLES
 PINION SEALS
 CONMET®
 LIGHT TRUCK

Mfr Line Number	Scotseal® PlusXL	Scotseal® Classic	Scotseal® Longlife	Inner (Cone/Cup)	Outer (Cone/Cup)	Grease Seal Location	Number
Eaton (continued)							
Kenworth - w/o OEM Bushing		43875		BR598/ 592-A	BR580/ BR572 ▲SET401		
Navistar - 4.500" Shaft	45157	45160		594-A/ 592-A ▲SET403	BR580/ BR572 ▲SET401	Outer	29887
Navistar - 4.766" Shaft	47692	47697 or 47698 ⁵	47693	598-A/ 592-A ▲SET404	BR580/ BR572 ▲SET401	Inner Seal Kit	1211
Peterbilt - w/ OEM Bushing..	47692	47697 or 47698 ⁵	47693	BR598/ 592-A	BR580/ BR572 ▲SET401	Outer Seal Kit	31378
Peterbilt - w/ OEM Bushing & 3.750" Inner Cone I.D. ...	47692	47697 or 47698 ⁵	47693	BR594/ 592-A	BR580/ BR572 ▲SET401		
Peterbilt - w/o OEM Bushing..		43875		BR598/ 592-A	BR580/ BR572 ▲SET401		
5 GMC - 6.006" Seal O.D. ...		47690		BR760/ BR752	BR749/ BR742		
GMC - 6.508" Seal O.D. ...		48884 ⁺ w/455019		BR760/ BR752	BR749/ BR742		
Navistar		48884 ⁺ w/455019		BR760/ BR752	BR749/ BR742	Inner Seal Kit	54935
White		48884 ⁺ w/455019		BR760/ BR752	BR749/ BR742		
6 GMC		38750		495-AX/ BR493	BR39590/ BR39520 ▲SET408	Inner Seal Kit	1214
Navistar		38709		BR42688/ BR42620	BR39585/ BR39520	Inner	38703
7 Ford - 4.375" Shaft		43860		BR595/ 592-A	BR580/ BR572 ▲SET401	Inner	43820
Ford - 4.500" Shaft	45157	45160		594-A/ 592-A ▲SET403	BR580/ BR572 ▲SET401	Outer	29887
Ford - 4.766" Shaft	47692	47697 or 47698 ⁵	47693	594-A/ 592-A ▲SET403	BR580/ BR572 ▲SET401	Inner - Seal	49050
GMC - 6.006" Seal O.D. ...	48002	48000		594-A/ 592-A ▲SET403	BR580/ BR572 ▲SET401	Inner - Sleeve	81774
GMC - 6.259" Seal O.D. ...		47690		594-A/ 592-A ▲SET403	BR580/ BR572 ▲SET401		
GMC - 6.316" Seal O.D. ...	47692	47697 or 47698 ⁵	47693	598-A/ 592-A ▲SET404	BR580/ BR572 ▲SET401	Inner	43820
Navistar - 4.375" Shaft		43860		BR598/ 592-A	BR575/ BR572		
Navistar - 4.500" Shaft	45157	45160		594-A/ 592-A ▲SET403	BR580/ BR572 ▲SET401	Outer	29887
Navistar - 4.766" Shaft	47692	47697 or 47698 ⁵	47693	598-A/ 592-A ▲SET404	BR580/ BR572 ▲SET401	Inner	45150
						Inner Seal Kit	1211
						Outer Seal Kit	31378

For in-text symbols, see page 6.

Mfr Line Number	Scotseal® PlusXL	Scotseal® Classic	Scotseal® Longlife	Inner (Cone/Cup)	Outer (Cone/Cup)	Grease Seal Location	Number
Eaton (continued)							
8 Navistar	45157	45160		594-A/ 592-A ▲SET403	BR580/ BR572 ▲SET401	Outer	29887 45150
9 Navistar				BR3982/ BR3920	BR377/ BR374	Inner	33136
10	34384	34387		BR33281/ BR33462	BR3982/ BR3920	Inner	33807
11		31307		BR3984/ BR3920	BR462/ 453-X		
12		31307		BR3984/ BR3920	BR462/ 453-X		
13 Dodge	34384	34387		BR33281/ BR33462	BR3982/ BR3920	Inner	33807
GMC - From 1952				395-CS/ 394-CS ▲KD12051-Z	BR387/ BR382 ▲KB11786-Y	Inner	31870
GMC - Thru 1951				BR33281/ BR33462	BR45290/ BR45220	Inner	35012
14 GMC - From 1954				B12235-YK	KA11950-Z	Inner - Seal Kit	162
						Inner - Seal Only	36314
GMC - Thru 1953				B12235-YK	KA11950-Z	Inner	31870
Navistar - RA125				BR3984/ BR3920	BR29585/ BR29520	Inner	33136
Navistar - RA130, RA131, RA132, 1411	34994	35000		BR33281/ BR33462	BR39585/ BR39520	Inner	35012
White		31307		BR3984/ BR3920	BR462/ 453-X	Inner	33136
15 Dodge	34384	34387		BR33281/ BR33462	BR3982/ BR3920	Inner	33807
GMC				395-CS/ 394-CS ▲KD12051-Z	BR387/ BR382 ▲KB11786-Y	Inner	34985
White		31307		BR3984/ BR3920	BR462/ 453-X	Inner - Seal Kit	1306
						Inner - Seal w/o Sleeve	31299
16 Dodge	34384	34387		BR33281/ BR33462	BR3982/ BR3920	Inner	33807
Ford	34384	34387		BR33281/ BR33462	BR3982/ BR3920	Inner Seal Kit	1307
GMC - From 1962				BR33281/ BR33462	BR39585/ BR39520	Inner	34985
GMC - Thru 1961	34994	35000		BR33281/ BR33462	BR39585/ BR39520	Inner	34985

APPLICATIONS

TRAILER, TAG & PUSH AXLES

FRONT AXLES

DRIVE AXLES

PINION SEALS

CONMET®

LIGHT TRUCK

Mfr Line Number	Scotseal® PlusXL	Scotseal® Classic	Scotseal® Longlife	Inner (Cone/Cup)	Outer (Cone/Cup)	Grease Seal Location	Grease Seal Number
Eaton (continued)							
Navistar - RA126, RA184 w/Cast Whls.	38776	38780		BR47686/ BR47620 ▲SET411	BR39590/ BR39520 ▲SET408	Inner	38774
Navistar - RA126, RA184 w/Disc Whls.				BR3984/ BR3920	BR29585/ BR29520	Inner	33136
Navistar - RA127, RA128, RA187, RA727, RA728	34994	35000		BR33281/ BR33462	BR39585/ BR39520	Inner	35029
17 GMC - From 1982 w/3.875" Shaft		38750		BR33287/ BR33462	BR3982/ BR3920		
GMC - From 1982 w/3.938" Shaft		39420		BR33287/ BR33462	BR3982/ BR3920		
GMC - Thru 1981		39420		BR33287/ BR33462	BR3982/ BR3920		
18 GMC	34384	34387		BR33281/ BR33462	BR3982/ BR3920	Inner	35020
White		38709		BR42688/ BR42620	BR39585/ BR39520	Inner	38703
19 Dodge		38709		BR42688/ BR42620	BR39590/ BR39520 ▲SET408	Outer Seal Kit	31361
						Inner	38703
Ford - From Ser. F90001 ..		39425		495-AX/ BR493	BR39590/ BR39520 ▲SET408	Inner - Seal Kit	1322
						Outer Seal Kit	25160
						Inner - Seal w/o Sleeve	39423
Ford - Thru Ser. F90000 ...		39380		495-AX/ BR493	BR3984/ BR3920	Inner Seal Kit	1321
GMC - 3.875" Shaft		38750		495-AX/ BR493	BR39590/ BR39520 ▲SET408	Outer Seal Kit	25160
						Inner Seal Kit	1214
GMC - 3.938" Shaft		39420		495-AX/ BR493	BR39590/ BR39520 ▲SET408		
Navistar		38709		BR42688/ BR42620	BR39585/ BR39520	Inner	38703
20 Navistar				BR782/ BR752	BR749/ BR742	Outer Seal Kit	31385
						Inner - Grease Seal	55175
						Inner - Oil Bath Seal	55177
21 Dodge - 2.500" Outer Cone I.D.		38709		BR42688/ BR42620	BR39585/ BR39520	Outer Seal Kit	31361
						Inner	38703
Dodge - 2.625" Outer Cone I.D.		38709		BR42688/ BR42620	BR39590/ BR39520 ▲SET408	Outer Seal Kit	31361
						Inner	38703
Ford - From Ser. F90001 ..		39425		495-AX/ BR493	BR39590/ BR39520 ▲SET408	Outer Seal Kit	25160
						Inner	39423

For in-text symbols, see page 6.

Mfr Line Number	Scotseal® PlusXL	Scotseal® Classic	Scotseal® Longlife	Inner (Cone/Cup)	Outer (Cone/Cup)	Grease Seal Location	Number
Eaton (continued)							
Ford - Thru Ser. F90000 w/3.875" Shaft	38776	38780		BR47686/ BR47620 ▲SET411	BR39590/ BR39520 ▲SET408	Inner - Seal Kit Inner - Seal w/o Sleeve	1308 38777
Ford - Thru Ser. F90000 w/3.938" Shaft		39380		495-AX/ BR493	BR3984/ BR3920	Inner Seal Kit Outer Seal Kit	1321 25160
GMC - 3.875" Shaft		38750		495-AX/ BR493	BR39590/ BR39520 ▲SET408	Inner Seal Kit	1214
GMC - 3.938" Shaft		39420		495-AX/ BR493	BR39590/ BR39520 ▲SET408		
Navistar - 5.134" Seal O.D...		38709		BR42688/ BR42620	BR39585/ BR39520	Inner	38703
Navistar - 5.381" Seal O.D...		38747		BR47678/ BR47620	BR39585/ BR39520	Inner	38745
Navistar - 5.696" Seal O.D...	38776	38780		BR47678/ BR47620	BR39585/ BR39520	Inner	38777
White		38709		BR42688/ BR42620	BR39585/ BR39520	Inner	38703
22 GMC				BR566/ BR563	BR3982/ BR3920		
23 Dodge	38776	38780		BR47686/ BR47620 ▲SET411	BR39590/ BR39520 ▲SET408	Seal Kit Seal w/o Sleeve	1308 38777
Ford	38776	38780		BR47686/ BR47620 ▲SET411	BR39590/ BR39520 ▲SET408	Seal Kit Seal w/o Sleeve	1308 38777
GMC - 5.506" Seal O.D. Exc. 19.5" Cast Whls.		38750		BR47686/ BR47620 ▲SET411	BR39590/ BR39520 ▲SET408	Inner Seal Kit	1214
GMC - 5.696" Seal O.D. Exc. 19.5" Cast Whls.	38776	38780		BR47686/ BR47620 ▲SET411	BR39590/ BR39520 ▲SET408	Inner Seal Kit	1214
GMC - 19.5" Cast Whls. ...		42800		BR582/ BR572 ▲SET402	BR42687/ BR42620		
Navistar	38776	38780		BR47686/ BR47620 ▲SET411	BR39590/ BR39520 ▲SET408	.500" Width750" Width	38774 38777
Reo		38750		BR47686/ BR47620 ▲SET411	BR39590/ BR39520 ▲SET408	Inner Seal Kit	1214
White	38776	38780		BR47686/ BR47620 ▲SET411	BR39590/ BR39520 ▲SET408	Inner	38777
24 Dodge - 6.259" Seal O.D. .		43860		BR598/ 592-A	BR575/ BR572	Inner	43820
Dodge - 6.316" Seal O.D. .		43875		598-A/ 592-A ▲SET404	BR575/ BR572		
Ford - 4.375" Shaft		43860		BR598/ 592-A	BR575/ BR572	Inner	43820

A P P L I C A T I O N S
T R A I L E R , T A G & P U S H E R A X L E S
F R O N T A X L E S
D R I V E A X L E S
P I N I O N S E A L S
C O N M E T®
L I G H T T R U C K

APPLICATIONS
 TRAILER, TAG & PUSHER AXLES
 FRONT AXLES
 DRIVE AXLES
 PINION SEALS
 CONMET®
 LIGHT TRUCK

Mfr Line Number	Scotseal® PlusXL	Scotseal® Classic	Scotseal® Longlife	Inner (Cone/Cup)	Outer (Cone/Cup)	Grease Seal Location	Number
Eaton (continued)							
Ford - 4.500" Shaft	45157	45160		BR594/ 592-A	BR580/ BR572 ▲SET401	Outer	29887
Freightliner - w/ OEM Bushing	47692	47697 or 47698 ⁵	47693	BR598/ 592-A	BR580/ BR572 ▲SET401	Inner	45150
Freightliner - w/ OEM Bushing & 3.750" Inner Cone I.D. ...	47692	47697 or 47698 ⁵	47693	BR594/ 592-A	BR580/ BR572 ▲SET401		
Freightliner - w/o OEM Bushings & 3.625" Inner Cone I.D.		43875		BR598/ 592-A	BR575/ BR572		
Freightliner - w/o OEM Bushings & 3.750" Inner Cone I.D.		43875		BR594/ 592-A	BR575/ BR572		
GMC - 4.375" Shaft		43860		BR598/ 592-A	BR575/ BR572	Inner	43820
GMC - 4.500" Shaft	45157	45160		BR594/ 592-A	BR580/ BR572 ▲SET401	Inner	45150
GMC - 4.766" Shaft & 6.006" Seal O.D.		47690		594-A/ 592-A ▲SET403	BR575/ BR572		
GMC - 4.766" Shaft & 6.259" Seal O.D.	48002	48000		598-A/ 592-A ▲SET404	BR580/ BR572 ▲SET401		
Kenworth - w/ OEM Bushing..	47692	47697 or 47698 ⁵	47693	BR598/ 592-A	BR580/ BR572 ▲SET401		
Kenworth - w/ OEM Bushing & 3.750" Inner Cone I.D. ...	47692	47697 or 47698 ⁵	47693	BR594/ 592-A	BR580/ BR572 ▲SET401		
Kenworth - w/ OEM Bushing & 3.625" Inner Cone I.D. ...		43875		BR598/ 592-A	BR575/ BR572		
Kenworth - w/o OEM Bushing & 3.750" Inner Cone I.D. ...		43875		BR594/ 592-A	BR580/ BR572 ▲SET401		
Navistar - 4.500" Shaft	45157	45160		594-A/ 592-A ▲SET403	BR580/ BR572 ▲SET401	Outer	29887
Navistar - 4.766" Shaft	47692	47697 or 47698 ⁵	47693	598-A/ 592-A ▲SET404	BR580/ BR572 ▲SET401	Inner Seal Kit	1211
						Outer Seal Kit	31378
Peterbilt - w/ OEM Bushing..	47692	47697 or 47698 ⁵	47693	BR598/ 592-A	BR580/ BR572 ▲SET401		
Peterbilt - w/ OEM Bushing & 3.750" Inner Cone I.D. ...	47692	47697 or 47698 ⁵	47693	BR594/ 592-A	BR580/ BR572 ▲SET401		
Peterbilt - w/o OEM Bushing & 3.625" Inner Cone I.D. ...		43875		BR598/ 592-A	BR575/ BR572		

For in-text symbols, see page 6.

Mfr Line Number	Scotseal® PlusXL	Scotseal® Classic	Scotseal® Longlife	Inner (Cone/Cup)	Outer (Cone/Cup)	Grease Seal Location	Grease Seal Number
Eaton (continued)							
Peterbilt - w/o OEM Bushing & 3.750" Inner Cone I.D. ...		43875		BR594/ 592-A	BR575/ BR572		
White		43860		BR598/ 592-A	BR575/ BR572	Inner	43820
25							
Dodge		45152		BR594/ 592-A	BR580/ BR572 ▲SET401	Inner	45150
Ford - 4.375" Shaft		43860		BR598/ 592-A	BR575/ BR572	Inner	43820
Ford - 4.375" Shaft 3.750" Inner Cone I.D.		43860		594-A/ 592-A ▲SET403	BR580/ BR572 ▲SET401		
Ford - 4.500" Shaft	45157	45160		BR594/ 592-A	BR580/ BR572 ▲SET401	Outer	29887
Freightliner - w/ OEM Bushing	47692	47697 or 47698 ⁵	47693	BR598/ 592-A	BR580/ BR572 ▲SET401	Inner	45150
Freightliner - w/ OEM Bushing & 3.750" Inner Cone I.D. ...	47692	47697 or 47698 ⁵	47693	BR594/ 592-A	BR580/ BR572 ▲SET401		
Freightliner - w/o OEM Bushing		45152		BR594/ 592-A	BR580/ BR572 ▲SET401		
GMC	45157	45160		BR594/ 592-A	BR580/ BR572 ▲SET401	Inner	45150
Kenworth - w/ OEM Bushing..	47692	47697 or 47698 ⁵	47693	BR598/ 592-A	BR580/ BR572 ▲SET401		
Kenworth - w/ OEM Bushing & 3.750" Inner Cone I.D. ...	47692	47697 or 47698 ⁵	47693	BR594/ 592-A	BR580/ BR572 ▲SET401		
Kenworth - w/o OEM Bushing		45152		BR594/ 592-A	BR580/ BR572 ▲SET401		
Navistar	45157	45160		594-A/ 592-A ▲SET403	BR580/ BR572 ▲SET401	Outer	29887
Peterbilt - w/ OEM Bushing..	47692	47697 or 47698 ⁵	47693	BR598/ 592-A	BR580/ BR572 ▲SET401	Inner	45150
Peterbilt - w/ OEM Bushing & 3.750" Inner Cone I.D. ...	47692	47697 or 47698 ⁵	47693	BR594/ 592-A	BR580/ BR572 ▲SET401		
Peterbilt - w/o OEM Bushing..		45152		BR594/ 592-A	BR580/ BR572 ▲SET401		
White	45157	45160		BR594/ 592-A	BR580/ BR572 ▲SET401	Outer	29887
						Inner	45150
26							
Navistar		43860		BR595/ 592-A	BR582/ BR572 ▲SET402	Inner	43820

APPLICATIONS

TRAILER, TAG & PUSHER AXLES

FRONT AXLES

DRIVE AXLES

PINION SEALS

CONMET®

LIGHT TRUCK

Mfr Line Number	Scotseal® PlusXL	Scotseal® Classic	Scotseal® Longlife	Inner (Cone/Cup)	Outer (Cone/Cup)	Grease Seal Location	Grease Seal Number
Eaton (continued)							
White		43860		BR598/ 592-A	BR582/ BR572 ▲SET402	Inner	43820
27 White	42673	42672		BR665/ BR652	BR663/ BR652		
28 GMC - From 1954				B12235-YK	KA11950-Z	Seal Kit w/3.625" Shaft	162
GMC - Thru 1953				B12235-YK	KA11950-Z	Seal Only w/3.625" Shaft	36314
Navistar	34994	35000		BR33281/ BR33462	BR39585/ BR39520	Inner - w/3.188" Shaft	31870
White		39380		495-AX/ BR493	BR3984/ BR3920	Inner	35012
29 GMC				BR566/ BR563	BR3982/ BR3920		
30 GMC		43860		BR598/ 592-A	BR575/ BR572	Inner	43820
Kenworth		43875		BR598/ 592-A	BR575/ BR572		
Navistar		43860		BR598/ 592-A	BR580/ BR572 ▲SET401	Inner	43820
Peterbilt		43875		BR598/ 592-A	BR575/ BR572		
31				HM813846/ HM813810	BR3982/ BR3920		
32 GMC - 3.875" Shaft Exc.19.5" Cast Whls.		38750		BR47686/ BR47620 ▲SET411	BR39590/ BR39520 ▲SET408	Inner Seal Kit	1214
GMC - L Type Brg. Spacer Exc. 19.5" Cast Whls.		42550		BR47686/ BR47620 ▲SET411	BR39590/ BR39520 ▲SET408	Inner	41550
GMC - R Type Brg. Spacer Exc. 19.5" Cast Whls.		42550 w/455024		BR47686/ BR47620 ▲SET411	BR39590/ BR39520 ▲SET408	Inner	41550
GMC - 19.5" Cast Whls. ...		42800		BR582/ BR572 ▲SET402	BR42687/ BR42620		
Navistar		38709		BR42688/ BR42620	BR39585/ BR39520	Inner	38703
White	38776	38780		BR47686/ BR47620 ▲SET411	BR39590/ BR39520 ▲SET408	Inner	38777
33 Dodge	38776	38780		BR47686/ BR47620 ▲SET411	BR39590/ BR39520 ▲SET408	Inner	38777

For in-text symbols, see page 6.

Mfr Line Number	Scotseal® PlusXL	Scotseal® Classic	Scotseal® Longlife	Inner (Cone/Cup)	Outer (Cone/Cup)	Grease Seal Location	Number
Eaton (continued)							
Ford	38776	38780		BR47686/ BR47620 ▲SET411	BR39590/ BR39520 ▲SET408	Inner - Seal Kit	1308
GMC - 3.875" Shaft Exc. 19.5" Cast Whls.		38750		BR47686/ BR47620 ▲SET411	BR39590/ BR39520 ▲SET408	Inner - Seal w/o Sleeve	38777
GMC - L Type Brg. Spacer Exc. 19.5" Cast Whls.		42550		BR47686/ BR47620 ▲SET411	BR39590/ BR39520 ▲SET408	Inner Seal Kit	1214
GMC - R Type Brg. Spacer Exc. 19.5" Cast Whls.		42550 w/455024		BR47686/ BR47620 ▲SET411	BR39590/ BR39520 ▲SET408	Inner	41550
GMC - 19.5" Cast Whls. ...		42800		BR47686/ BR582/ BR572 ▲SET402	BR39590/ BR42687/ BR42620	Inner	41550
Navistar	38776	38780		BR47686/ BR47620 ▲SET411	BR39590/ BR39520 ▲SET408	Inner - .500" Width	38774
White	38776	38780		BR47686/ BR47620 ▲SET411	BR39590/ BR39520 ▲SET408	Inner - .750" Width	38777
						Inner	38777
34 Navistar	38776	38780		BR5760/ BR5735	BR575/ BR572	Inner	38777
White	38776	38780		BR5760/ BR5735	BR575/ BR572	Inner	38777
35 Dodge		43875		598-A/ 592-A ▲SET404	BR575/ BR572	Inner	43820
Ford - 4.375" Shaft		43860		598-A/ 592-A ▲SET404	BR575/ BR572	Inner	43820
Ford - 4.500" Shaft	45157	45160		594-A/ 592-A ▲SET403	BR580/ BR572 ▲SET401	Outer	29887
Ford - 4.766" Shaft	47692	47697 or 47698 ⁵	47693	594-A/ 592-A ▲SET403	BR580/ BR572 ▲SET401	Inner - Seal w/Sleeve	49050
Freightliner - 4.500" Shaft .	45157	45160		594-A/ 592-A ▲SET403	BR580/ BR572 ▲SET401	Inner - Sleeve	81774
Freightliner - 4.766" Shaft .	47692	47697 or 47698 ⁵	47693	594-A/ 592-A ▲SET403	BR580/ BR572 ▲SET401	Outer	29887
GMC - 4.766" Shaft & 6.259" Seal O.D.	48002	48000		594-A/ 592-A ▲SET403	BR580/ BR572 ▲SET401	Inner	45150
GMC - 4.375" Shaft & 6.259" Seal O.D.		43860		BR598/ 592-A	BR575/ BR572	Inner	43820
GMC - 6.326" Seal O.D. ...	47692	47697 or 47698 ⁵	47693	598-A/ 592-A ▲SET404	BR580/ BR572 ▲SET401		
Kenworth - 4.375" Shaft ...		43875		BR598/ 592-A	BR575/ BR572		

APPLICATIONS

TRAILER, TAG & PUSH AXLES

FRONT AXLES

DRIVE AXLES

PINION SEALS

CONMET®

LIGHT TRUCK

Mfr Line Number	Scotseal® PlusXL	Scotseal® Classic	Scotseal® Longlife	Inner (Cone/Cup)	Outer (Cone/Cup)	Grease Seal Location	Number
Eaton (continued)							
Kenworth - 4.766" Shaft ...	47692	47697 or 47698 ⁵	47693	BR598/ 592-A	BR575/ BR572		
Navistar - 4.375" Shaft		43860		BR598/ 592-A	BR575/ BR572	Inner	43820
Navistar - 4.500" Shaft	45157	45160		594-A/ 592-A ▲ SET403	BR580/ BR572 ▲ SET401	Outer	29887
Peterbilt - 4.375" Shaft		43875		BR598/ 592-A	BR575/ BR572	Inner	45150
Peterbilt - 4.766" Shaft	47692	47697 or 47698 ⁵	47693	BR598/ 592-A	BR575/ BR572		
White		43860		BR598/ 592-A	BR575/ BR572	Inner	43820
GMC - 4.766" Shaft & 6.006" Seal O.D.		47690		594-A/ 592-A ▲ SET403	BR580/ BR572 ▲ SET401		
36 Ford - 4.375" Shaft		43860		BR595/ 592-A	BR580/ BR572 ▲ SET401	Inner	43820
Ford - 4.500" Shaft	45157	45160		BR595/ 592-A	BR580/ BR572 ▲ SET401	Inner	45150
Mack Midliner				BR594/ 593-X	BR594/ 593-X		
Navistar - 4.375" Shaft		43860		BR595/ 592-A	BR582/ BR572 ▲ SET402	Inner	43820
Navistar - 4.375" Shaft & 3.625" Inner Cone I.D. ...		43860		BR598/ 592-A	BR575/ BR572		
Navistar - 4.500" Shaft	45157	45160		594-A/ 592-A ▲ SET403	BR580/ BR572 ▲ SET401	Outer	29887
						Inner	45150
37 Ford	47692	47697 or 47698 ⁵	47693	594-A/ 592-A ▲ SET403	BR580/ BR572 ▲ SET401	Inner - Seal w/Sleeve	49050
GMC	45157	45160		BR594/ 592-A	BR580/ BR572 ▲ SET401	Inner - Sleeve	81774
Navistar	45157	45160		594-A/ 592-A ▲ SET403	BR580/ BR572 ▲ SET401	Inner	45150
						Outer	29887
						Inner	45150
38 Navistar		50124		BR760/ BR752	BR749/ BR742	Outer	29887
						Inner	49966
39 3.375" Inner Cone I.D.	43754	43752		665-A/ BR653	HM212049/ HM212011 ▲ SET413		
40 3.543" Inner Cone I.D.	46300	46305	46308	HM218248/ HM218210 ▲ SET414	HM212049/ HM212011 ▲ SET413		
41 Ford, IHC, White	38776	38780		BR47686/ BR47620 ▲ SET411	BR39590/ BR39520 ▲ SET408		

For in-text symbols, see page 6.

Mfr Line Number	Scotseal® PlusXL	Scotseal® Classic	Scotseal® Longlife	Inner (Cone/Cup)	Outer (Cone/Cup)	Grease Seal Location Number
Eaton (continued)						
GMC, REO		38750		BR47686/ BR47620 ▲SET411	BR39590/ BR39520 ▲SET408	
42 3.000" Inner Cone I.D.		39420		495-AX/ BR493	BR3984/ BR3920	
43 3.000" Inner Cone I.D.	38776	38780		BR5760/ BR5735	BR575/ BR572	
44 Ford - 3.750" Inner Cone I.D..	47692	47697 or 47698 ⁵	47693	594-A/ 592-A ▲SET403	BR580/ BR572 ▲SET401	
GMC - 3.625" Inner Cone I.D.	47692	47697 or 47698 ⁵	47693	598-A/ 592-A ▲SET404	BR580/ BR572 ▲SET401	
Ford - 4.500" Shaft	45157	45160		594-A/ 592-A ▲SET403	BR580/ BR572 ▲SET401	
GMC - 4.500" Shaft	45157	45160		598-A/ 592-A ▲SET404	BR580/ BR572 ▲SET401	
Ford - 4.766" Shaft	48002	48000		594-A/ 592-A ▲SET403	BR580/ BR572 ▲SET401	
GMC - 4.766" Shaft	48002	48000		598-A/ 592-A ▲SET404	BR580/ BR572 ▲SET401	
45 4.375" Shaft		43860		BR595/ 592-A	BR580/ BR572 ▲SET401	
4.500" Shaft	45157	45160		BR595/ 592-A	BR580/ BR572 ▲SET401	
46 4.500" Shaft	45157	45160		BR760/ BR752	BR749/ BR742	
4.875" Shaft		48884		BR760/ BR752	BR749/ BR742	
47 Ford - 4.500" Shaft 6.259" Seal O.D.	45157	45160		594-A/ 592-A ▲SET403	BR580/ BR572 ▲SET401	
Ford - 4.766" Shaft 6.316" Seal O.D.	47692	47697 or 47698 ⁵	47693	594-A/ 592-A ▲SET403	BR580/ BR572 ▲SET401	
Ford - 4.766" Shaft 6.259" Seal O.D.	48002	48000		594-A/ 592-A ▲SET403	BR580/ BR572 ▲SET401	
GMC - 4.500" Shaft & 6.259" Seal O.D.	45157	45160		598-A/ 592-A ▲SET404	BR580/ BR572 ▲SET401	

APPLICATIONS

TRAILER, TAG & PUSH AXLES

FRONT AXLES

DRIVE AXLES

PINION SEALS

CONMET®

LIGHT TRUCK

Mfr Line Number	Scotseal® PlusXL	Scotseal® Classic	Scotseal® Longlife	Inner (Cone/Cup)	Outer (Cone/Cup)	Grease Seal Location	Grease Seal Number
Eaton (continued)							
GMC - 4.766" Shaft & 6.259" Seal O.D.	48002	48000		598-A/ 592-A ▲SET404	BR580/ BR572 ▲SET401		
GMC - 4.766" Shaft & 6.316" Seal O.D.	47692	47697 or 47698 ⁵	47693	598-A/ 592-A ▲SET404	BR580/ BR572 ▲SET401		
48 3.875" Shaft	38776	38780		BR598/ 592-A	BR575/ BR572		
4.375" Shaft		43860		BR598/ 592-A	BR575/ BR572		
49 4.375" Shaft		43860		BR598/ 592-A	BR575/ BR572		
4.500" Shaft	45157	45160		594-A/ 592-A ▲SET403	BR580/ BR572 ▲SET401		
50 4.375" Shaft		43860		BR663/ BR652	BR663/ BR652		
4.500" Shaft	45157	45160		BR663/ BR652	BR663/ BR652		
51 Ford	34384	34387		BR33281/ BR33462	BR3982/ BR3920		
IHC, White	34994	35000		BR33281/ BR33462	BR39585/ BR39520		
52				BR663/ BR652	BR663/ BR652		
53		38709		BR42688/ BR42620	BR39585/ BR39520		
54	34384	34387		BR33287/ BR33462	BR3982/ BR3920		
55		39380		495-AX/ BR493	BR3984/ BR3920		
56		38709		BR42688/ BR42620	BR39585/ BR39520		
57 Ford, IHC, White	38776	38780		BR566/ BR563	BR3982/ BR3920		
GMC, REO		38750		BR566/ BR563	BR3982/ BR3920		
58	42673	42672		BR663/ BR652	BR663/ BR652		
59 Disc Wheel		43860		BR598/ 592-A			

For in-text symbols, see page 6.

Mfr Line Number	Scotseal® PlusXL	Scotseal® Classic	Scotseal® Longlife	Inner (Cone/Cup)	Outer (Cone/Cup)	Grease Seal Location	Grease Seal Number
Eaton (continued)							
Cast Wheel	38776	38780		BR575/ BR572			
60	45157	45160		BR594/ 592-A	BR580/ BR572 ▲SET401		
61		38750		BR47686/ BR47620 ▲SET411	BR39590/ BR39520 ▲SET408		
62				BR665/ BR652	BR663/ BR652		
63	47692	47697 or 47698 ⁵	47693	594-A/ 592-A ▲SET403	BR580/ BR572 ▲SET401		
64		48884		BR760/ BR752	BR665/ BR652		
65		39380		495-AX/ BR493	BR3984/ BR3920		
66		39420		495-AX/ BR493	BR3984/ BR3920		
67	38776	38780		BR47686/ BR47620 ▲SET411	BR39590/ BR39520 ▲SET408		
68		43860		BR598/ 592-A	BR575/ BR572		
69				594-A/ 592-A ▲SET403			
70	45157	45160		BR594/ 592-A	BR580/ BR572 ▲SET401		
71 Thru 1976		43860		BR598/ 592-A	BR575/ BR572		
From 1977	47692	47697	47693	594-A/ 592-A ▲SET403	BR580/ BR572 ▲SET401		
72 Thru 1976	45157	45160		BR594/ 592-A	BR580/ BR572 ▲SET401		

APPLICATIONS

TRAILER, TAG & PUSHER AXLES

FRONT AXLES

DRIVE AXLES

PINION SEALS

CONMET®

LIGHT TRUCK

Mfr Line Number	Scotseal® PlusXL	Scotseal® Classic	Scotseal® Longlife	Inner (Cone/Cup)	Outer (Cone/Cup)	Grease Seal Location	Grease Seal Number
Eaton (continued)							
From 1977	47692	47697	47693	594-A/ 592-A ▲SET403	BR580/ BR572 ▲SET401		
73	47692	47697	47693	594-A/ 592-A ▲SET403	BR580/ BR572 ▲SET401		
74	38776	38780		BR5760/ BR5735			

FWD Axle Model Index

Model	Line No.	Model	Line No.	Model	Line No.	Model	Line No.
3B	7	509D	3	M10G	3	M7G	5
3C	7	5454	9	M6X6	4	YU	6
3D	8	HR	1	M6X6G	4	ZU	6
3SC	7	LD	2	M6X6GM	4		
506D	3	M10	3	M7	5		
509	3	M10D	3	M7D	5		

Mfr Line Number	Scotseal® PlusXL	Scotseal® Classic	Scotseal® Longlife	Inner (Cone/Cup)	Outer (Cone/Cup)	Grease Seal Location	Grease Seal Number
FWD							
1						Outer	22446
						Inner	36363
2						Inner	32710
3						Inner	26209
4						Axle Shaft	24931
5						Axle Shaft	25043
						Inner	47394
6						Inner	32582
7				BR595/ 592-A	BR581/ BR572		
8				BR749/ BR742	BR749/ BR742		
9		45152		BR594/ 592-A	BR580/ BR572 ▲SET401		

Fargo - See Axle Mfr.

Federal Axle Model Index

Model	Line No.	Model	Line No.	Model	Line No.	Model	Line No.
2501	1	2502	1	2521	1	4401	2
2501T	1	2502T	1	2951	1	4402	2

Mfr Line Number	Scotseal® PlusXL	Scotseal® Classic	Scotseal® Longlife	Inner (Cone/Cup)	Outer (Cone/Cup)	Grease Seal Location	Grease Seal Number
-----------------	------------------	-------------------	--------------------	------------------	------------------	----------------------	--------------------

Federal

1						Outer Seal Kit	25160
						Inner	39385
2						Inner Seal Kit	
						4.766" Shaft	1211
						Inner Seal Kit	
						4.824" Shaft	54930

Flex-True - See Axle Mfr.

Flexible Axle Model Index

Model	Line No.	Model	Line No.	Model	Line No.	Model	Line No.
182 Series	2	228JT1-56	1	29B150	2	FT33	2
218DWX1	2	23B2	2	29B6	2	FT35	2
218DWX7	2	23B3	2	29HD1	2	FT40	2
218 Series	2	25B1	2	33B7	2		
21B1	3	25C149	2	37C1	1		
228F1-56	1	29B1	2	FT30	1		

Mfr Line Number	Scotseal® PlusXL	Scotseal® Classic	Scotseal® Longlife	Inner (Cone/Cup)	Outer (Cone/Cup)	Grease Seal Location	Grease Seal Number
-----------------	------------------	-------------------	--------------------	------------------	------------------	----------------------	--------------------

Flexible

1		42800					
2						Inner Seal Kit	
						4.766" Shaft	1213
						Outer Seal Kit	
						FT40	31378
						Inner Seal Kit	
						4.824" Shaft	55165
3						Outer Seal Kit	25160
						Inner	39385

Flexible (Transit Bus) Axle Model Index

Model	Line No.	Model	Line No.	Model	Line No.	Model	Line No.
59733WX	1						

Mfr Line Number	Scotseal® PlusXL	Scotseal® Classic	Scotseal® Longlife	Inner (Cone/Cup)	Outer (Cone/Cup)	Grease Seal Location	Grease Seal Number
-----------------	------------------	-------------------	--------------------	------------------	------------------	----------------------	--------------------

Flexible (Transit Bus)

1		48690		BR6580/ BR6535	BR663/ BR653 ▲SET405		
---	--	-------	--	-------------------	----------------------------	--	--

Freightliner Axle Model Index

Model	Line No.	Model	Line No.	Model	Line No.	Model	Line No.
18D	1	38000 lbs.	3	40000 lbs.	3		
19 Series	2	38D	1	44D	2		

Mfr Line Number	Scotseal® PlusXL	Scotseal® Classic	Scotseal® Longlife	Inner (Cone/Cup)	Outer (Cone/Cup)	Grease Seal Location	Grease Seal Number
1	47692	47697	47693	BR598/ 592-A	BR575/ BR572		
2	47692	47697	47693	BR594/ 592-A	BR580/ BR572 ▲SET401		
3	47692	47697	47693	594-A/ 592-A ▲SET403	BR580/ BR572 ▲SET401		

GMC Axle Model Index

Model	Capacity	Line No.	Model	Capacity	Line No.	Model	Capacity	Line No.
1350	13000 lbs.	12	17321	17000 lbs.	22	19100	22000 lbs.	23
13600	15000 lbs.	13	17401	17000 lbs.	22	19101	22000 lbs.	23
13602	15000 lbs.	13	17421	17000 lbs.	22	1911	23000 lbs.	24
13800	15000 lbs.	14	17500	18500 lbs.	22	19121	22000 lbs.	24
13802	15000 lbs.	15	17501	18500 lbs.	22	1918	23000 lbs.	24
13803	15000 lbs.	15	17600	18500 lbs.	22	1919	23000 lbs.	24
15040S	15000 lbs.	16	17601	18500 lbs.	22	19200	23000 lbs.	23
15040T	15000 lbs.	16	17700	18500 lbs.	22	19201	23000 lbs.	23
15101	15000 lbs.	16	17701	18500 lbs.	22	19220	23000 lbs.	24
15121	15000 lbs.	16	1780	18500 lbs.	21	19221	23000 lbs.	24
15201	15000 lbs.	15	17800	18500 lbs.	22	19421	22000 lbs.	23
16000	17000 lbs.	17	17801	18500 lbs.	22	19500	23000 lbs.	24
16000	16000 lbs.	21	17815	18500 lbs.	22	19501	23000 lbs.	24
16050	17000 lbs.	17	1790	18500 lbs.	22	19502	23000 lbs.	24
16050	16000 lbs.	21	1790A	18500 lbs.	22	19503	23000 lbs.	24
16051	17000 lbs.	17	1791	18500 lbs.	22	21065S	21000 lbs.	7
16051	16000 lbs.	21	1791A	18500 lbs.	22	21065T	21000 lbs.	7
16120	17000 lbs.	18	1792	18500 lbs.	22	21100	21000 lbs.	7
16121	17000 lbs.	18	1793	18500 lbs.	22	21101	21000 lbs.	7
16122	17000 lbs.	18	1795	18500 lbs.	14	21121	21000 lbs.	7
1614	16000 lbs.	18	1796	18500 lbs.	22	21200	21000 lbs.	7
1615	16000 lbs.	18	18100	22000 lbs.	23	21201	21000 lbs.	7
1618	16000 lbs.	18	18101	22000 lbs.	23	21221	21000 lbs.	7
1619	16000 lbs.	18	18121	22000 lbs.	23	21400	21000 lbs.	14
16220	17000 lbs.	20	18200	22000 lbs.	23	21421	21000 lbs.	7
16221	17000 lbs.	20	18201	22000 lbs.	23	22065S	22000 lbs.	7
16244	17500 lbs.	19	18221	22000 lbs.	23	22065T	22000 lbs.	7
16244	17000 lbs.	20	18500	22000 lbs.	1	22100	22000 lbs.	7
16500	16000 lbs.	20	18501	22000 lbs.	1	22101	22000 lbs.	7
16501	16000 lbs.	20	18600	22000 lbs.	1	22121	22000 lbs.	7
16600	16000 lbs.	20	18601	22000 lbs.	1	22200	22000 lbs.	7
16601	16000 lbs.	20	18700	22000 lbs.	1	22201	22000 lbs.	7
16800	16000 lbs.	20	18701	22000 lbs.	1	22221	22000 lbs.	7
16801	16000 lbs.	20	1880	22000 lbs.	1	22500	23000 lbs.	5
16802	16000 lbs.	20	18802	22000 lbs.	1	22501	23000 lbs.	5
16803	16000 lbs.	20	18803	22000 lbs.	1	22M	22000 lbs.	27
17000	17000 lbs.	21	1890	22000 lbs.	1	23070P	23000 lbs.	14
17100	17000 lbs.	22	1891	22000 lbs.	1	23070S	23000 lbs.	7
17101	17000 lbs.	22	1892	22000 lbs.	1	23070T	23000 lbs.	7
17121	17000 lbs.	22	1893	22000 lbs.	1	230T4	23000 lbs.	7
1715	18500 lbs.	22	1895	22000 lbs.	1	23100	23000 lbs.	7
1716	18500 lbs.	22	1896	22000 lbs.	1	23101	23000 lbs.	7
17200	19000 lbs.	22	19050S	19000 lbs.	2	23105	23000 lbs.	26
17201	19000 lbs.	22	19050T	19000 lbs.	2	23105C	23000 lbs.	7
17220	18500 lbs.	22	19055T	23000 lbs.	17	23105S	23000 lbs.	7
17221	18500 lbs.	22	1910	23000 lbs.	24	23121	23000 lbs.	7

For in-text symbols, see page 6.

GMC Axle Model Index (continued)

Model	Capacity	Line No.	Model	Capacity	Line No.	Model	Capacity	Line No.
23200	23000 lbs.	7	D400P		26	H135	13500 lbs.	4
23201	23000 lbs.	7	D440P		26	H140	14000 lbs.	6
23221	23000 lbs.	7	D70HD	7000 lbs.	9	H150	15000 lbs.	7
23300	23000 lbs.	7	DD340	34000 lbs.	17	H160	16000 lbs.	14
23321	23000 lbs.	7	DD500	60000 lbs.	8	H162	18500 lbs.	3
23400	23000 lbs.	7	DD500	60000 lbs.	8	H170	17000 lbs.	8
23421	23000 lbs.	7	DP341	34000 lbs.	2	H172	17000 lbs.	3
26058P		27	DP381P	38000 lbs.	3	H172	18500 lbs.	16
26085P	26000 lbs.	7	DP38P	38000 lbs.	11	H173	18500 lbs.	3
26085S	26000 lbs.	7	DP401P	40000 lbs.	3	H175	17000 lbs.	3
26085T	26000 lbs.	7	DP402P	40000 lbs.	3	H175	17500 lbs.	9
26100	26000 lbs.	7	DP406P	40000 lbs.	3	H175	18500 lbs.	19
26121	26000 lbs.	7	DP440P	44000 lbs.	4	H185	18500 lbs.	18
2613	21000 lbs.	22	DP456P	45000 lbs.	4	H240	18500 lbs.	3
2614	21000 lbs.	22	DP460P	46000 lbs.	4	H300	17000 lbs.	3
2615	21000 lbs.	22	DP461P	46000 lbs.	4	H340	17000 lbs.	3
2616	21000 lbs.	22	DP480P	48000 lbs.	4	H350	17000 lbs.	1
26200	26000 lbs.	7	DP580P	58000 lbs.	15	H362	17000 lbs.	1
26221	26000 lbs.	7	DP650	65000 lbs.	16	H370	17000 lbs.	1
2627	22000 lbs.	28	DP650P	65000 lbs.	5	HD2	13500 lbs.	30
2695	22000 lbs.	29	DS340	34000 lbs.	2	HD280	28000 lbs.	20
2696	22000 lbs.	29	DS341	34000 lbs.	2	HD340	34000 lbs.	17
28M	28000 lbs.	20	DS380	38000 lbs.	7	HO52	5200 lbs.	3
28MR		28	DS381	38000 lbs.	7	HO72	7200 lbs.	3
30D	30000 lbs.	20	DS381	40000 lbs.	19	HO75	7500 lbs.	3
30DP	30000 lbs.	20	DS381P	38000 lbs.	7	L161	18500 lbs.	18
30DS	30000 lbs.	20	DS381P	40000 lbs.	19	L162	18500 lbs.	18
30DSC	30000 lbs.	20	DS386P	38000 lbs.	7	L172	18500 lbs.	20
30M	30000 lbs.	20	DS400	40000 lbs.	7	L350		29
34DTC	34000 lbs.	2	DS401	40000 lbs.	7	L351	18500 lbs.	20
38DP	38000 lbs.	12	DS401P	40000 lbs.	7	L361	18500 lbs.	20
38DSC	38000 lbs.	11	DS402	40000 lbs.	7	L362	18500 lbs.	20
38DTC	38000 lbs.	12	DS402P	40000 lbs.	7	L370	18500 lbs.	20
38RSE	38000 lbs.	12	DS440	44000 lbs.	7	L371	19000 lbs.	20
44DP	44000 lbs.	13	DS440P	44000 lbs.	7	LT301	18500 lbs.	18
44DT	44000 lbs.	13	DS456P	45000 lbs.	7	M185T	18500 lbs.	3
44DTC	44000 lbs.	13	DS460P	46000 lbs.	7	M190S	19000 lbs.	3
55417H		13	DS461P	46000 lbs.	7	M190T	19000 lbs.	3
6803	16000 lbs.	6	DS480P	48000 lbs.	7	M200S	22000 lbs.	14
70	7000 lbs.	9	DS650P	65000 lbs.	5	M200T	22000 lbs.	26
70HD	7000 lbs.	9	DSP50		6	M220S	22000 lbs.	4
7800	18500 lbs.	2	DT341	34000 lbs.	2	M220T	22000 lbs.	4
7801	18500 lbs.	2	DT381	38000 lbs.	7	R70HD	7000 lbs.	9
8802	22000 lbs.	23	DT381P	38000 lbs.	7	RS16140	16000 lbs.	17
8803	22000 lbs.	23	DT401P	40000 lbs.	7	RS170	23000 lbs.	26
B170	16000 lbs.	18	DT402	40000 lbs.	7	RS341	34000 lbs.	17
B170	16000 lbs.	18	DT402P	40000 lbs.	7	RT341	34000 lbs.	17
B170	16000 lbs.	18	DT440P	44000 lbs.	7	SD3010	36000 lbs.	16
B170	16000 lbs.	18	DT460P	46000 lbs.	7	SD3010P	36000 lbs.	7
B180	18500 lbs.	22	DT461P	46000 lbs.	7	SD3011	36000 lbs.	7
B180	18500 lbs.	22	DT480P	48000 lbs.	7	SD3020	36000 lbs.	7
B210	22000 lbs.	1	DW3012	36000 lbs.	16	SFD460	36000 lbs.	8
B210	22000 lbs.	1	E301	13500 lbs.	13	SFD4600	60000 lbs.	8
B220	23000 lbs.	24	E350	13500 lbs.	14	SFDD3020	36000 lbs.	7
B220	23000 lbs.	24	E370	13000 lbs.	14	SFDD4600	60000 lbs.	8
BA185	23000 lbs.	24	F106	15000 lbs.	15	SFDD4600	65000 lbs.	18
BA185	23000 lbs.	24	F155S	15000 lbs.	1	SFHD	28000 lbs.	1
BA230	23000 lbs.	24	F341	15000 lbs.	15	SL100	34000 lbs.	17
BA230	23000 lbs.	24	G161	16000 lbs.	14	SL100P	34000 lbs.	17
BD340	23000 lbs.	24	G175S	17500 lbs.	2	SLDD	34000 lbs.	17
BP270	23000 lbs.	24	G175T	17500 lbs.	2	SLHD	34000 lbs.	17
BP271	23000 lbs.	24	G185S	18500 lbs.	3	SLHR	34000 lbs.	17
D160	16000 lbs.	6	G185T	18500 lbs.	3	SP50		6
D185	18500 lbs.	2	G190S	19000 lbs.	3	SQ100P	40000 lbs.	20
D185	18500 lbs.	2	G341	16000 lbs.	14	SW3010	36000 lbs.	7
D210	22000 lbs.	23	G361	16000 lbs.	14	SW3010P	36000 lbs.	7
D210	22000 lbs.	23	GM34000	34000 lbs.	2	SW3012	36000 lbs.	7
D290	29000 lbs.	8	H100	17000 lbs.	3	SW3012P	36000 lbs.	7
D341P3	34000 lbs.	2	H101	17000 lbs.	3	SW3014	36000 lbs.	7
D34P3	34000 lbs.	2	H110	11000 lbs.	4	SW3014P	36000 lbs.	7
D365	29000 lbs.	8	H125	12500 lbs.	5	SW3020	36000 lbs.	7
D380		26	H130	13000 lbs.	6	SW3020P	36000 lbs.	7

APPLICATOR
 TRAILER, TAG & PUSH AXLES
 FRONT AXLES
 DRIVE AXLES
 PINION SEALS
 CONMET®
 LIGHT TRUCK

GMC Axle Model Index (continued)

Model	Capacity	Line No.	Model	Capacity	Line No.	Model	Capacity	Line No.
SW456	36000 lbs.	8	T185	18500 lbs.	20	W6		23
SW456A	50000 lbs.	15	T210	22000 lbs.	1	W7H		25
SW456P	36000 lbs.	8	T210	22000 lbs.	1	W7M		24
T130	15000 lbs.	14	T220	23000 lbs.	24	W7T		25
T150	15000 lbs.	7	T295	29000 lbs.	8	WD480	36000 lbs.	8
T160	16000 lbs.	14	TA182	18500 lbs.	22			
T170	17000 lbs.	10	TA185	23000 lbs.	24			
T170	16000 lbs.	20	TA230	23000 lbs.	24			
T170	16000 lbs.	20	TP270	23000 lbs.	24			
T172	17000 lbs.	3	TP340	23000 lbs.	24			
T173	17000 lbs.	1	TP341	23000 lbs.	24			
T175	17000 lbs.	3	TT340	23000 lbs.	24			
T175	17500 lbs.	9	U200	29000 lbs.	8			
T180	18500 lbs.	22	U300	29000 lbs.	8			
T180	18500 lbs.	22	W4		22			
T185	18500 lbs.	2	W4L		22			

Mfr Line Number	Scotseal® PlusXL	Scotseal® Classic	Scotseal® Longlife	Inner (Cone/Cup)	Outer (Cone/Cup)	Grease Seal Location	Number
--------------------	---------------------	----------------------	-----------------------	---------------------	---------------------	-------------------------	--------

GMC

1							
Disc Brks.		39380		BR33287/ BR33462	BR3982/ BR3920		
Drum Brks.		39420		BR33287/ BR33462	BR3982/ BR3920		
2							
5.506" Seal O.D.		38750		BR47686/ BR47620	BR39590/ BR39520	Inner Seal Kit	1214
5.696" Seal O.D.	38776	38780		▲SET411 BR47686/ BR47620 ▲SET411	▲SET408 BR39590/ BR39520 ▲SET408		
3							
.....				388-A/ BR382 ▲KD11786-Y	368-S/ BR362 ▲KB11630-Z	Inner	28425
4							
From 1982		31307		BR3984/ BR3920	BR28682/ BR28622 ▲SET407		
Thru 1981				395-CS/ 394-CS ▲KD12051-Z	BR387/ BR382 ▲KB11786-Y	Inner - H110	31870
						Inner - H135	34700
						From 1973	34985
						Inner - H135	34985
						Thru 1972	34985
5							
.....				BR33281/ BR33462	BR45290/ BR45220	Inner	35012
6							
From 1960				395-CS/ 394-CS ▲KD12051-Z	BR387/ BR382 ▲KB11786-Y	Inner	34985
Thru 1959				B12235-YK	KA11950-Z	Inner - Seal Kit	162
						Inner - Seal Only	36314
7							
From 1982		39420		BR33287/ BR33462	BR3982/ BR3920		

For in-text symbols, see page 6.

Mfr Line Number	Scotseal® PlusXL	Scotseal® Classic	Scotseal® Longlife	Inner (Cone/Cup)	Outer (Cone/Cup)	Grease Seal Location	Grease Seal Number
GMC (continued)							
Thru 1981 w/15"x4" Brks. .				B12235-YK	KA11950-Z	Inner - Seal Kit	162
						Inner - Seal Only	36314
Thru 1981 w/15"x5" Brks. & L Type Brg. Spacer		42550		BR33287/ BR33462	BR3982/ BR3925	Inner	41550
Thru 1981 w/15"x5" Brks. & R Type Brg. Spacer		42550 w/455024		BR33287/ BR33462	BR3982/ BR3925	Inner	41550
8 From 1982		39420		495-AX/ BR493	BR39590/ BR39520 ▲SET408		
Thru 1981 w/L Type Brg. Spacer		42550		495-AX/ BR493	BR39590/ BR39520 ▲SET408	Inner	41550
Thru 1981 w/R Type Brg. Spacer		42550 w/455024		495-AX/ BR493	BR39590/ BR39520 ▲SET408	Inner	41550
9 3.875" Shaft		38750		495-AX/ BR493	BR39590/ BR39520 ▲SET408		
3.938" Shaft		39420		495-AX/ BR493	BR39590/ BR39520 ▲SET408		
10 From 1982		39420		495-AX/ BR493	BR39590/ BR39520 ▲SET408		
Thru 1981 w/Air Brks. & L Type Brg. Spacer		42550		495-AX/ BR493	BR39590/ BR39520 ▲SET408	Inner	41550
Thru 1981 w/Air Brks. & R Type Brg. Spacer		42550 w/455024		495-AX/ BR493	BR39590/ BR39520 ▲SET408	Inner	41550
Thru 1981 w/Hyd. Brks. & L Type Brg. Spacer		42550		495-AX/ BR493	BR39590/ BR39521	Inner	41550
Thru 1981 w/Hyd. Brks. & R Type Brg. Spacer		42550 w/455024		495-AX/ BR493	BR39590/ BR39521	Inner	41550
11		43860		BR598/ 592-A	BR575/ BR572		
12 3.875" Shaft		38750		BR598/ 592-A	BR575/ BR572		
3.938" Shaft		39420		BR598/ 592-A	BR575/ BR572		
13 3.625 " Inner Cone I.D.	48002	48000			BR580/ BR572 ▲SET401		

APPLICATIONS

TRAILER, TAG & PUSHER AXLES

FRONT AXLES

DRIVE AXLES

PINION SEALS

CONMET®

LIGHT TRUCK

Mfr Line Number	Scotseal® PlusXL	Scotseal® Classic	Scotseal® Longlife	Inner (Cone/Cup)	Outer (Cone/Cup)	Grease Seal Location	Grease Seal Number
GMC (continued)							
3.750" Inner Cone I.D.	45157	45160		594-A/ 592-A ▲SET403	BR580/ BR572 ▲SET401		
14 3.875" Shaft	38776	38780		594-A/ 592-A ▲SET403	BR580/ BR572 ▲SET401		
4.766" Shaft	48002	48000		594-A/ 592-A ▲SET403	BR580/ BR572 ▲SET401		
15 To 1983		48884		BR760/ BR752	BR749/ BR742		
16	40129	40136 or 40139 ⁵		BR575/ BR572	BR575/ BR572		
17	38776	38780		BR47686/ BR47620 ▲SET411	BR39590/ BR39520 ▲SET408		
18 From 1983		55177 ⁷ w/455054 48884		BR782/ BR772 BR760/ BR752	BR749/ BR742 BR749/ BR742		
Thru 1982							
19 w/3.875" Shaft		38750		495-AX/ BR493	BR39520/ BR572		
w/3.937" Shaft		39420		495-AX/ BR493	BR39590/ BR39520 ▲SET408		
20	47692	47697	47693	594-A/ 592-A ▲SET403	BR580/ BR572 ▲SET401		
21	40129	40136		BR33281/ BR33462	BR3982/ BR3920		
22				BR29585/ BR29520	BR28680/ BR28622	Outer 19333 Inner 31490	
23				BR32215	BR32213	Outer 22284 Inner 37408	
24					BR32215	Outer 25190 Inner 39070	
25						Outer 30771 Inner 46060	
26	48002	48000		594-A/ 592-A ▲SET403	BR580/ BR572 ▲SET401		

For in-text symbols, see page 6.

Mfr Line Number	Scotseal® PlusXL	Scotseal® Classic	Scotseal® Longlife	Inner (Cone/Cup)	Outer (Cone/Cup)	Grease Seal Location	Grease Seal Number
--------------------	---------------------	----------------------	-----------------------	---------------------	---------------------	-------------------------	-----------------------

GMC (continued)

27	47692	47697	47693		BR580/ BR572 ▲SET401		
28				495-AX/ BR493			
29	38776	38780		BR47686/ BR47620 ▲SET411	BR39585/ BR39520		
30				BR33287/ BR33462	BR3982/ BR3920	Outer Seal Kit	23870 Inner 34383

GMC Truck Axle Model Index

Model	Line No.	Model	Line No.	Model	Line No.	Model	Line No.
Transmode	1	W4	2				

Mfr Line Number	Scotseal® PlusXL	Scotseal® Classic	Scotseal® Longlife	Inner (Cone/Cup)	Outer (Cone/Cup)	Grease Seal Location	Grease Seal Number
--------------------	---------------------	----------------------	-----------------------	---------------------	---------------------	-------------------------	-----------------------

GMC Truck

1				BR35	15103-S/ BR15243	Inner	21771
2				BR29586/ BR29520	BR28622/ BR28680		

Gruman Axle Model Index

Model	Line No.	Model	Line No.	Model	Line No.	Model	Line No.
C43121519KN	1						

Mfr Line Number	Scotseal® PlusXL	Scotseal® Classic	Scotseal® Longlife	Inner (Cone/Cup)	Outer (Cone/Cup)	Grease Seal Location	Grease Seal Number
--------------------	---------------------	----------------------	-----------------------	---------------------	---------------------	-------------------------	-----------------------

Gruman

1		48690		BR6580/ BR6535	BR663/ BR653 ▲SET405		
---	--	-------	--	-------------------	----------------------------	--	--

Harnischfeger - See Axle Mfr.

Hayes - See Axle Mfr.

Hendrickson Axle Model Index

Model	Line No.	Model	Line No.	Model	Line No.	Model	Line No.
360-3T	2	500CT	3	AD290	1		

Mfr Line Number	Scotseal® PlusXL	Scotseal® Classic	Scotseal® Longlife	Inner (Cone/Cup)	Outer (Cone/Cup)	Grease Seal Location	Number
Hendrickson							
1						Outer	22492
						Inner	40108
2		42800					
3						Inner Seal Kit 4.766" Shaft	1212
						Inner Seal Kit 4.824" Shaft	54935

Hino Axle Model Index

Model	Line No.	Model	Line No.	Model	Line No.	Model	Line No.
FA141S	1	FE165S	5	FF194S	5	SF178S	5
FA142S	1	FE167S	5	FF195S	5	SG193S	5
FA143S	1	FE172S	5	FF197S	5	SG195S	5
FB142S	1	FE173S	5	FF198S	5	SG197S	5
FB143S	1	FE174S	5	FFC12S	5	SG198S	5
FB144S	1	FE175S	5	FFC13S	5	SG213S	4
FD162S	2	FE177S	5	FFC14S	5	SG231S	4
FD163S	2	FE194S	5	FFC15S	5	SG233S	4
FD164S	2	FE195S	5	FFC17S	5	SG235S	4
FD172S	3	FF172S	5	FFC18S	5	SG237S	4
FD173S	3	FF173S	5	FG223S	5	SG238S	4
FD174S	3	FF174S	5	FG225S	5		
FD175S	3	FF175S	5	SF172S	5		
FD177S	3	FF177S	5	SF173S	5		
FE162S	5	FF178S	5	SF174S	5		
FE163S	5	FF192S	5	SF175S	5		
FE164S	5	FF193S	5	SF177S	5		

Mfr Line Number	Scotseal® PlusXL	Scotseal® Classic	Scotseal® Longlife	Inner (Cone/Cup)	Outer (Cone/Cup)	Grease Seal Location	Number
Hino							
1					BR28680/ BR28622	Inner	42120
2					BR32215	Inner	49600
3				BR32215		Inner	49600
4						Inner	60622
5					BR32215	Inner	57080

Ibex - See Axle Mfr.

IHC - See Navistar

Ikarus-Crown Axle Model Index

Model	Line No.	Model	Line No.	Model	Line No.	Model	Line No.
B	1						

Mfr Line Number	Scotseal® PlusXL	Scotseal® Classic	Scotseal® Longlife	Inner (Cone/Cup)	Outer (Cone/Cup)	Location	Grease Seal Number
1		48690		BR6580/ BR6535	BR663/ BR653 ▲SET405		

Isuzu Axle Model Index

Model	Line No.	Model	Line No.	Model	Line No.	Model	Line No.
EVR	1	FTR	3	NPR	4		
FSR	2	FVR	1	NRR	5		

Mfr Line Number	Scotseal® PlusXL	Scotseal® Classic	Scotseal® Longlife	Inner (Cone/Cup)	Outer (Cone/Cup)	Location	Grease Seal Number
1						Inner	46060
2				BR32215	BR32213	Inner	37408
3					BR32215	Inner	39070
4				BR29586/ BR29520	BR28680/ BR28622	Inner	31490
5					BR32213	Inner	37408

Iveco Axle Model Index

Model	Line No.	Model	Line No.	Model	Line No.	Model	Line No.
10-14	1	15-14	2	340T	3	Z220T	2
110	1	18-14	2	Z100	1	Z230	2
120TA	1	220	2	Z110	1	Z230T	2
12-11	1	220T	2	Z120	1	Z340T	4
12-12	1	230T	2	Z120TA	1		
12-14	5	335T	3	Z220	2		

Mfr Line Number	Scotseal® PlusXL	Scotseal® Classic	Scotseal® Longlife	Inner (Cone/Cup)	Outer (Cone/Cup)	Location	Grease Seal Number
1				32014-X	32014-X	Inner	35410
2				BR33113	BR33113	Inner	35410
3				BR567/ BR563 ▲SET425	BR3984/ BR3920		
4				BR567/ BR563 ▲SET425	BR3984/ BR3920	Inner Outer	37025 39155
5				32014-X	32014-X	Inner	35410

Mfr Line Number	Scotseal® PlusXL	Scotseal® Classic	Scotseal® Longlife	Inner (Cone/Cup)	Outer (Cone/Cup)	Grease Seal Location	Number
--------------------	---------------------	----------------------	-----------------------	---------------------	---------------------	-------------------------	--------

Iveco (continued)

Man. Trans.			BR33113	BR33113	Inner	35410
------------------	--	--	---------	---------	-------------	-------

Kenworth Truck Axle Model Index

Model	Line No.	Model	Line No.	Model	Line No.	Model	Line No.
905	1	921	1	K121	1	W921	1
908	1	922	1	K122	1	W922	1

Mfr Line Number	Scotseal® PlusXL	Scotseal® Classic	Scotseal® Longlife	Inner (Cone/Cup)	Outer (Cone/Cup)	Grease Seal Location	Number
--------------------	---------------------	----------------------	-----------------------	---------------------	---------------------	-------------------------	--------

Kenworth Truck

1						Inner Seal Kit 4.766" Shaft	1211
						Inner Seal Kit 4.824" Shaft	54930

Mack Axle Model Index

A20	28	MS200	29	RAD1113	32000 lbs.	4
A20H	28	MS250	29	RAD1141	27000 lbs.	4
A30	23	MS300	29	RAD231C		5
A30H	23	RA104	7	RAD23C	23000 lbs.	5
A40	24	RA111	10	RAD24D		5
A40H	24	RA1141	4	RAD29C		6
A40T	24	RA23	5	RAD30	30000 lbs.	17
A40X	24	RA2D200	8	RAD300	18000 lbs.	7
A50	24	RA2D201	8	RAD301	18000 lbs.	7
A50H	24	RA2D300	7	RAD302	18000 lbs.	7
A50T	24	RA2D301	7	RAD303	18000 lbs.	7
A51H	24	RA2D302	7	RAD305	18000 lbs.	7
A51T	24	RA2D304	7	RAD38C		6
A54	24	RA2D507	3	RAD400		3
A54T	24	RA2D508	3	RAD403		3
B30P	23	RA2D509	3	RAD404		3
B30T	23	RA2D510	3	RAD500		3
B30X	23	RA2D511	3	RAD501		3
B42	25	RA2D512	3	RAD507	22000 lbs.	3
B42P	25	RA2D513	3	RAD508	22000 lbs.	3
B42SX	24	RA2D514	3	RAD509	22000 lbs.	3
B42T	25	RA2D516	3	RAD512	22000 lbs.	3
B42X	24	RA2D518	3	RAD515	22000 lbs.	3
B50T	24	RA2D519	3	RAD528	20000 lbs.	3
B60LT	25	RA2DL516	3	RAD5281	20000 lbs.	3
B60S	26	RA2DL518	3	RAD5282	20000 lbs.	3
B60X	25	RA2DL519	11	RAD529	22500 lbs.	3
BX	27	RA2DT304	9	RAD5291	23000 lbs.	3
C41	25	RA2DT306	9	RAD530	22500 lbs.	3
C47	25	RA2DT306C	9	RAD5301	23000 lbs.	3
C49	25	RA2DT306CW	9	RAD530C	22500 lbs.	3
D30P	23	RA2DT306W	9	RAD533	22500 lbs.	3
ES60C	1	RA2DT518	11	RAD533C	22500 lbs.	3
EW48C	2	RA2DT519	11	RAD533CW	22500 lbs.	3
EW48CW	2	RA2DT521	11	RAD533W	22500 lbs.	3
EW48W	2	RA2DT5211	11	RAD606	27000 lbs.	4
EW60C	1	RA2DT528	3	RAD606C	27000 lbs.	4
EWS571C	1	RA2DT5281	3	RAD608		4
EW571CW	1	RA2DT532	12	RAD608C		6
EW57C	2	RA45	13	RAD703	35000 lbs.	4
EW57CW	2	RA47	7	RAD703C	35000 lbs.	6
EW57W	2	RA500	3	RAD704	38000 lbs.	4
H633LT	25	RA59	10	RAD704C	38000 lbs.	6
H633ST	25	RA61	14	RAD705	40000 lbs.	4
H633T	25	RA62	15	RAD705C	40000 lbs.	6
H63ST	25	RA69	14	RAD707C	40000 lbs.	6
H63T	25	RAC23C	5	RAD708C	40000 lbs.	6
H63T	25	RAD1111	4	RADL515		3

For in-text symbols, see page 6.

Mack Axle Model Index (continued)

Model	Capacity	Line No.	Model	Capacity	Line No.	Model	Capacity	Line No.
RADL5151		3	SHB342CW		5	SWB38C		5
RADL5152		3	SHB342W		5	SWB38CW		5
RADL5153		3	SHB38C		5	SWB38W		5
RADL529	22500 lbs.	3	SHB38CW		5	SWC5612C		2
RADL5291	23000 lbs.	3	SHB38W		5	SWC562C		2
RADL5301	23000 lbs.	3	SS34	34000 lbs.	22	SWC562CW		2
RADL533	23000 lbs.	3	SS342C		2	SWC562W		2
RADS509	22000 lbs.	3	SS342CW		2	SWC574C		2
RAH23	23000 lbs.	5	SS342W		2	SWC57C		2
RAR23	23000 lbs.	5	SS34C	34000 lbs.	2	SWC57CW		2
RAS200		8	SS34CW	34000 lbs.	2	SWC57W		2
RAS201		8	SS34W	34000 lbs.	2	SWD32		6
RAS23C		30	SS38C		2	SWD322		6
RAS24D		5	SS38CW		2	SWD44		1
RAS2D400		3	SS38W		2	SWD441		1
RAS300	18000 lbs.	7	SS440C		1	SWD442		1
RAS301	18000 lbs.	7	SS441		1	SWD443		1
RAS302	18000 lbs.	7	SS441C		1	SWD444		10
RAS303	18000 lbs.	7	SS50		6	SWD451		14
RAS307	18500 lbs.	9	SS501	50000 lbs.	3	SWD52	32000 lbs.	10
RAS307C	18500 lbs.	9	SS58	58000 lbs.	21	SWD53	32000 lbs.	10
RAS307CW	18500 lbs.	9	SS58C		6	SWD5301	23000 lbs.	10
RAS307W	18500 lbs.	9	SS65C		6	SWD54		14
RAS400		31	SS65CW		6	SWD56	34000 lbs.	2
RAS403		3	SS65W		6	SWD561	34000 lbs.	2
RAS404		3	SSB38	38000 lbs.	22	SWD562	34000 lbs.	2
RAS500		3	SSB38C		5	SWD563	34000 lbs.	2
RAS505		3	SSB38CW		5	SWD564	34000 lbs.	2
RAS507	22000 lbs.	3	SSB38W		5	SWD57	38000 lbs.	10
RAS508	22000 lbs.	3	ST34	34000 lbs.	22	SWD5701	38000 lbs.	10
RAS509	22000 lbs.	3	ST34C	34000 lbs.	2	SWD571	40000 lbs.	1
RAS512	22000 lbs.	3	ST34CW	34000 lbs.	2	SWD5711	40000 lbs.	1
RAS512C	22000 lbs.	3	ST34W	34000 lbs.	2	SWD572	40000 lbs.	1
RAS512CW	22000 lbs.	3	ST38	38000 lbs.	18	SWD5721	40000 lbs.	1
RAS512W	22000 lbs.	3	SV34C	34000 lbs.	2	SWD573	40000 lbs.	1
RAS572	40000 lbs.	3	SV34CW	34000 lbs.	2	SWD5731	40000 lbs.	1
RAS580		3	SV34W	34000 lbs.	2	SWD574	38000 lbs.	10
S34	34000 lbs.	18	SV38C		2	SWD5741	40000 lbs.	10
S38	38000 lbs.	18	SV38CW		2	SWD575	40000 lbs.	1
S440	44000 lbs.	1	SV38W		2	SWD5751	40000 lbs.	1
S441	44000 lbs.	20	SW29		1	SWD5791	40000 lbs.	1
S501	50000 lbs.	3	SW31		6	SWD58	44000 lbs.	14
S58	58000 lbs.	21	SW32		6	SWD59	54000 lbs.	6
S65	65000 lbs.	6	SW342C		2	SWD591	60000 lbs.	6
SA38C		16	SW342CW		2	SWD592	60000 lbs.	6
SA38CW		16	SW342W		2	SWD5921	60000 lbs.	6
SA38W		16	SW38C		2	SWD593	60000 lbs.	6
SAL34	34000 lbs.	18	SW38CW		2	SWD68	50000 lbs.	6
SAL34	34000 lbs.	22	SW38W		2	SWD681	50000 lbs.	6
SAL38	38000 lbs.	18	SW44		1	SWD73	34000 lbs.	2
SAL440	44000 lbs.	1	SW440C		1	SWD731	34000 lbs.	2
SB38		5	SW441	44000 lbs.	19	SWD732	34000 lbs.	2
SC342C		2	SW441C		1	SWD7321	34000 lbs.	2
SC342CW		2	SW451		14	SWD75	34000 lbs.	2
SC342W		2	SW501	50000 lbs.	3	SWD751	34000 lbs.	2
SC34C		2	SW56	34000 lbs.	2	SWD76	36000 lbs.	2
SC34CW		2	SW561		2	SWD761	36000 lbs.	2
SC34W		2	SW57		2	SWD762	36000 lbs.	2
SC38C		2	SW570	40000 lbs.	1	SWD7621	36000 lbs.	2
SC38CW		2	SW571	40000 lbs.	1	SWD78	34000 lbs.	2
SC38W		2	SW573	40000 lbs.	1	SWD83	34000 lbs.	2
SH342		2	SW5731		1	SWDL55	34000 lbs.	10
SH342C		2	SW58	58000 lbs.	6	SWDL551	23000 lbs.	10
SH342CW		2	SW65C		6	SWDL56	34000 lbs.	2
SH342W		2	SW76		2	SWDL561	34000 lbs.	2
SH34C		2	SWA574C		2	SWDL563	34000 lbs.	2
SH34CW		2	SWA57C	38000 lbs.	2	SWDL564	34000 lbs.	2
SH34W		2	SWA57CW	38000 lbs.	2	SWDL73		2
SH38C		2	SWA57W	38000 lbs.	2	SWDL731	34000 lbs.	2
SH38CW		2	SWB342C		5	SWDL732	34000 lbs.	2
SH38W		2	SWB342CW		5	SWDL7321	34000 lbs.	2
SHB342C		5	SWB342W		5	SWDL75	34000 lbs.	2

A P P L I C A T I O N S
T R A I L E R , T A G & P U S H E R A X L E S
F R O N T A X L E S
D R I V E A X L E S
P I N I O N S E A L S
C O N M E T®
L I G H T T R U C K

Mack Axle Model Index (continued)

Model	Capacity	Line No.	Model	Capacity	Line No.	Model	Capacity	Line No.
SWDL751	34000 lbs.	2	SWS56W	34000 lbs.	2	SWW57	38000 lbs.	6
SWDL76	36000 lbs.	2	SWS5711C		1	SWW571	44000 lbs.	1
SWDL761	36000 lbs.	2	SWS571C	44000 lbs.	1	SWW5711		20
SWDL7621	36000 lbs.	2	SWS571CW	44000 lbs.	1	SWW5711C		1
SWDL78	34000 lbs.	2	SWS571W	44000 lbs.	1	SWW571C	44000 lbs.	1
SWDR48	27000 lbs.	3	SWS572	40000 lbs.	1	SWW572	40000 lbs.	1
SWDR49	27000 lbs.	3	SWS573C		1	SWW573	40000 lbs.	1
SWH56	34000 lbs.	2	SWS573CW		1	SWW574C		2
SWH562	34000 lbs.	16	SWS573W		1	SWW57C	38000 lbs.	2
SWH562C	34000 lbs.	16	SWS574C		2	SWW57CW	38000 lbs.	2
SWH562CW	34000 lbs.	16	SWS57C		6	SWW57W	38000 lbs.	2
SWH562W	34000 lbs.	16	SWS57CW		6	SWW592C	60000 lbs.	6
SWH56C	34000 lbs.	2	SWS57W		6	SWW592CW	60000 lbs.	6
SWH56CW	34000 lbs.	2	SWS592C	60000 lbs.	6	SWW592W	60000 lbs.	6
SWH56W	34000 lbs.	2	SWS592CW	60000 lbs.	6	SWW59C		6
SWH57C		2	SWS592W	60000 lbs.	6	SWW681C		6
SWH57CW		2	SWS59C		6	SWW68C		6
SWH57W		2	SWS681C		6	SWW762C		2
SWH762C		2	SWS68C		6	SWW762CW		2
SWH762CW		2	SWS76C		2	SWW762W		2
SWH762W		2	SWS76CW		2	SWW76C		2
SWH76C		2	SWS76W		2	SWW76CW		2
SWH76CW		2	SWSL56C		2	SWW76W		2
SWH76W		2	SWSL56CW		2	SWWL562C		2
SWS56	34000 lbs.	2	SWSL56W		2	SWWL562CW		2
SWS561		2	SWTL561C		2	SWWL562W		2
SWS5612C		2	SWTL56C		2	SWWL56C		2
SWS561C		2	SWTL56CW		2	SWWL56CW		2
SWS562C		2	SWTL56W		2	SWWL56W		2
SWS562CW		2	SWW5612C		2	WW681C		6
SWS562W		2	SWW562C		2			
SWS56C	34000 lbs.	2	SWW562CW		2			
SWS56CW	34000 lbs.	2	SWW562W		2			

Mfr Line Number	Scotseal® PlusXL	Scotseal® Classic	Scotseal® Longlife	Inner (Cone/Cup)	Outer (Cone/Cup)	Grease Seal Location	Grease Seal Number
-----------------	------------------	-------------------	--------------------	------------------	------------------	----------------------	--------------------

Mack

1	42673	42672		HM516449-C/ HM516410 ▲SET422	BR47679/ BR47620 ▲SET426	Inner	42644
2	45093	45099		BR580/ BR572 ▲SET401	BR567/ BR563 ▲SET425	Outer Inner	31316 45070
3		43865		BR598/ 592-A	HM617049/ HM617010	Outer - 4.756" Seal O.D.	35012
		43865		BR598/ 592-A		Outer - 5.131" Seal O.D.	35086
		43860		BR598/ 592-A	BR665/ BR653	Outer - 4.756" Seal O.D.	35012
						Outer - 5.131" Seal O.D.	35086
						Outer	28686
						Inner	43820
4		50124		BR780/ BR772	BR776/ BR772	Inner	49966
		50124		BR687/ BR672 ▲SET499		Inner	49966

For in-text symbols, see page 6.

Mfr Line Number	Scotseal® PlusXL	Scotseal® Classic	Scotseal® Longlife	Inner (Cone/Cup)	Outer (Cone/Cup)	Grease Seal Location	Number
Mack (continued)							
5 From 1968	48002	48000		598-A/ 592-A ▲SET404	HM617049/ HM617010		
Thru 1967	48002	48000		598-A/ 592-A ▲SET404			
6 Cast Whls.		52658		BR780/ BR772	BR776/ BR772	Outer	31758
Disc Whls.		52658		BR687/ BR672 ▲SET499		Inner	52488
						Outer	31758
						Inner	52488
7	40129	40136 or 40139 ⁵		BR580/ BR572 ▲SET401	BR657/ BR563	Outer - RA47 Axle	21950
						Outer - Except RA47 Axle	31316
8	34384	34387		BR33281/ BR33462	BR3982/ BR3920	Inner	35029
9		42800		BR582/ BR572 ▲SET402	BR42687/ BR42620		
10 Cast Whls. w/5.250" Inner Brg. O.D.	42673	42672		HM516449-C/ HM516410 ▲SET422	BR47679/ BR47620 ▲SET426	Outer	25713
						Inner	42644
Cast Whls. w/5.750" Inner Brg. O.D.	42673	42672		BR663/ BR653 ▲SET405	BR575/ BR572	Outer	25713
						Inner	42644
Disc Whls. w/5.250" Inner Brg. O.D.		50124		HM516449-C/ HM516410 ▲SET422	BR47679/ BR47620 ▲SET426	Outer	25713
						Inner	49966
Disc Whls. w/5.750" Inner Brg. O.D.		50124		BR663/ BR652	BR575/ BR572	Outer	25713
						Inner	49966
11 4.766" Shaft	47692	47697 or 47698 ⁵	47693	598-A/ 592-A ▲SET404	BR580/ BR572 ▲SET401	Inner Seal Kit	1211
						Outer Seal Kit 8 Bolt Holes	31378
4.842" Shaft				598-A/ 592-A ▲SET404	BR580/ BR572 ▲SET401	8 Bolt Holes	31378
						Inner Seal Kit	54930
12	47692	47697 or 47698 ⁵	47693		BR580/ BR572 ▲SET401	Inner Seal Kit	1211
						Outer	31378
13				BR663/ BR652	748-S/ BR742	Outer	31353
						Inner	40158

APPLICATIONS

TRAILER, TAG & PUSHER AXLES

FRONT AXLES

DRIVE AXLES

PINION SEALS

CONMET®

LIGHT TRUCK

Mfr Line Number	Scotseal® PlusXL	Scotseal® Classic	Scotseal® Longlife	Inner (Cone/Cup)	Outer (Cone/Cup)	Grease Seal Location	Grease Seal Number
Mack (continued)							
14	45157	45160		BR759/ BR752		Outer Inner	27368 45150
15				BR759/ BR752		Inner	21840
16	45093	45099		BR582/ BR572 ▲SET402	BR567/ BR563 ▲SET425		
17	40129	40136 or 40139 ⁵		BR580/ BR572 ▲SET401	BR567/ BR563 ▲SET425		
18	45093	45099		BR580/ BR572 ▲SET401	BR567/ BR563 ▲SET425		
19		52658		BR780/ BR772	BR776/ BR772		
	42673	42672		BR663/ BR652	BR575/ BR572		
20	42673	42672		HM516449-A/ HM516410 ▲SET421	BR47679/ BR47620 ▲SET426		
21		52658		BR780/ BR772	BR776/ BR772		
		52658		BR687/ BR672 ▲SET499			
22	45093	45099		BR580/ BR572 ▲SET401	BR567/ BR563 ▲SET425	Inner	45070
23						Outer - Exc. B30P, B30T, B30X	31316
24						Outer - B42SX, B42T Outer - A50T, A51H Outer - B50T Inner	25713 28697 35086 43820
25						Outer - Exc. Alum. Hub Outer - Alum. Hub Inner	35012 35086 43820

For in-text symbols, see page 6.

Mfr Line Number	Scotseal® PlusXL	Scotseal® Classic	Scotseal® Longlife	Inner (Cone/Cup)	Outer (Cone/Cup)	Grease Seal Location	Grease Seal Number
Mack (continued)							
26						Outer	25713
						Inner	42644
27						Axle Shaft	23755
						Inner - 4.500"	
						Shaft	45150
						Inner - 5.000"	
						Shaft	49966
28						Outer	35012
29				BR594/593-X	BR594/593-X		
30	48002	48000		598-A/592-A ▲ SET404			
31		43860		BR598/592-A	BR665/BR653		

Mack Midliner Axle Model Index

Model	Line No.	Model	Line No.	Model	Line No.	Model	Line No.
MS200	1	P10211	1	P1121G1	1	P821G	1
MS250	1	P1021.5	1	P1121G2	1		
MS300	1	P1021G1	1	P802.2	1		
P102011	1	P112102	1	P820G	1		
P1020B	1	P1121.4	1	P820G1	1		
P1020G	1	P1121G	1	P821	1		

Mfr Line Number	Scotseal® PlusXL	Scotseal® Classic	Scotseal® Longlife	Inner (Cone/Cup)	Outer (Cone/Cup)	Grease Seal Location	Grease Seal Number
Mack Midliner							
1				BR594/593-X	BR594/593-X		

Magirus Axle Model Index

Model	Line No.	Model	Line No.	Model	Line No.	Model	Line No.
160A11FL	1	160A13FL	1	200A13FL	2	200A13FS	2

Mfr Line Number	Scotseal® PlusXL	Scotseal® Classic	Scotseal® Longlife	Inner (Cone/Cup)	Outer (Cone/Cup)	Grease Seal Location	Grease Seal Number
Magirus							
1						Inner	46144
						Inner	49210
2						Inner	49210
						Inner	49210

MAN Axle Model Index

Model	Line No.	Model	Line No.	Model	Line No.	Model	Line No.
H07-11120	1						

Mfr Line Number	Scotseal® PlusXL	Scotseal® Classic	Scotseal® Longlife	Inner (Cone/Cup)	Outer (Cone/Cup)	Grease Seal	
						Location	Number

MAN

1				BR33021	32019-X	Inner	57145
						Outer	57146

Marmon-Herrington Axle Model Index

Model	Line No.	Model	Line No.	Model	Line No.	Model	Line No.
CM704	1	M6-6	2	MH610-4	1	TC40	7
CM754	1	M704	1	MH610A-4	1	TC44	7
CM756	1	M754	1	MH620-6	3	TC48	7
CM804	1	M756	1	MH625-4	4	TC49	7
CM806	1	M804	1	MH630-4	5	TC50	7
CM904	1	M806	6	R4-4	6		
DSD600-6	2	M904	1	R5-4	6		
DSD800-6	2	M906	3	R6-4	6		
H542-11	2	MH555-4	2	T756A	8		
M5-6	2	MH555-6	2	TC1700	7		

Mfr Line Number	Scotseal® PlusXL	Scotseal® Classic	Scotseal® Longlife	Inner (Cone/Cup)	Outer (Cone/Cup)	Grease Seal	
						Location	Number

Marmon-Herrington

1						Outer Seal Kit	25160
						Inner	39385
2						Axle Shaft	22492
3		42800					
4						Inner	47394
5						Inner	49928
6						Axle Shaft	17746
7						Inner	24931
8						Inner	38703

Mercedes Benz Axle Model Index

Model	Line No.	Model	Line No.	Model	Line No.	Model	Line No.
L1316	1	L1418	2	LS1418	3		

Mfr Line Number	Scotseal® PlusXL	Scotseal® Classic	Scotseal® Longlife	Inner (Cone/Cup)	Outer (Cone/Cup)	Grease Seal Location	Grease Seal Number
Mercedes Benz							
1 Axle Code No. 745.572 4.921" Shaft				598-A/ 593-X		Inner	49210
						Inner	49210
Axle Code Nos. 745.550, 745.551, 745.560 & 745.561.. Axle Code Nos. 745.565 ..				BR33019 BR33019			
2 Axle Code No. 745.572 Axle Code Nos. 745.006, 745.032 From I.D. No. 464537				BR33019		Inner	49210
Axle Code Nos. 745.006, 745.032 Thru I.D. No. 464536				598-A/ 593-X		Inner	47230
						Inner	49210
Axle Code Nos. 745.540, 745.541, 745.543 & 745.544.. Axle Code Nos. 745.550, 745.551, 745.560 & 745.561.. Axle Code Nos. 745.565 ..				BR33019 BR33019	BR32213	Inner	47230
Model Nos. 345.036, 345.037 345.038, 345.039				BR33019 BR33019		Inner	47230
				598-A/ 593-X		Inner	49210
3				598-A/ 593-X			

Mitsubishi Fuso Axle Model Index

Model	Line No.	Model	Line No.	Model	Line No.	Model	Line No.
FK415	2	FK455	2	FM555	1		

Mfr Line Number	Scotseal® PlusXL	Scotseal® Classic	Scotseal® Longlife	Inner (Cone/Cup)	Outer (Cone/Cup)	Grease Seal Location	Grease Seal Number
1						Inner	60620
2						Inner	51181

Navistar Axle Model Index

Model	Capacity	Line No.	Model	Capacity	Line No.	Model	Capacity	Line No.
1401		18	14077		27	1416	22000 lbs.	30
1402		1	14087		6	1418	23000 lbs.	26
14026		36	14088		27	14186		6
14027		36	1409	23000 lbs.	32	14187		34
14029		26	1409	23000 lbs.	32	1419	34000 lbs.	18
1403		4	14091		27	14193		36
14032		6	14095		27	14194		36
14036		35	14096		6	14199		35
14039		28	14097		36	1420	29000 lbs.	8
1404		10	1410		10	1420	29000 lbs.	8
14040		27	1411	15000 lbs.	14	1421	22000 lbs.	1
14047		27	14119		27	1422	23000 lbs.	35
1405		11	1412	16000 lbs.	21	1423	29000 lbs.	8
14051		27	14127		37	1423	29000 lbs.	8
14052		27	14130		28	1424		18
14057		27	14131		6	1425	32000 lbs.	32
1406		12	14132		27	1426	32000 lbs.	32
14069		35	14133		6	1427	23000 lbs.	25
14072		36	1415	21000 lbs.	23	14277		37

Navistar Axle Model Index (continued)

Model	Capacity	Line No.	Model	Capacity	Line No.	Model	Capacity	Line No.
1428	22000 lbs.	28	14GEL		36	RA167	23000 lbs.	32
14282		27	14GRA		35	RA168	22000 lbs.	32
1429	28000 lbs.	21	14GRB		36	RA17	5000 lbs.	7
1429	28000 lbs.	21	14GRC		36	RA170	23000 lbs.	32
14298		29	14GRD		36	RA171	23000 lbs.	32
14308		36	14GRE		36	RA172	23000 lbs.	32
14309		27	14GRG		37	RA173	23000 lbs.	32
14311		36	14GRH		36	RA174	23000 lbs.	32
14315		35	14GRP		36	RA174	24000 lbs.	32
1433		3	14GRR		36	RA175	29000 lbs.	8
1435	22000 lbs.	35	14GRS		36	RA176	29000 lbs.	8
14350		36	R1070	4500 lbs.	1	RA178	29000 lbs.	28
14350		36	R1165	6000 lbs.	1	RA178	30000 lbs.	37
14357		36	R1170	7000 lbs.	4	RA18	3500 lbs.	6
1436	18500 lbs.	11	RA1	2500 lbs.	6	RA180	22000 lbs.	5
14369		29	RA10	4500 lbs.	1	RA180	29000 lbs.	40
1438	18500 lbs.	19	RA11	4500 lbs.	1	RA181	22000 lbs.	5
14389		36	RA118	18500 lbs.	23	RA184	13500 lbs.	16
14399		36	RA119	22000 lbs.	7	RA184	15000 lbs.	31
1443	34000 lbs.	17	RA12	2300 lbs.	5	RA186	19000 lbs.	23
14437		36	RA120	12000 lbs.	9	RA187	15000 lbs.	16
1444	34000 lbs.	17	RA125	15000 lbs.	14	RA189	17000 lbs.	21
14465		36	RA126	13500 lbs.	16	RA19	3500 lbs.	6
14472		36	RA127	13500 lbs.	16	RA190	24000 lbs.	32
14474		36	RA127	15000 lbs.	31	RA191	24000 lbs.	32
14475		35	RA128	13500 lbs.	16	RA192	22000 lbs.	24
14476		36	RA128	15000 lbs.	31	RA192	22000 lbs.	24
14493		35	RA129		2	RA193	23000 lbs.	7
14494		36	RA13	2300 lbs.	5	RA194	26000 lbs.	7
14496		36	RA130	17500 lbs.	2	RA196	23000 lbs.	25
14498		35	RA130	15000 lbs.	14	RA197	23000 lbs.	25
1450	23000 lbs.	32	RA131	19000 lbs.	3	RA199	17500 lbs.	21
1450	23000 lbs.	32	RA131	15000 lbs.	14	RA2	2300 lbs.	5
1451	36000 lbs.	34	RA132	13000 lbs.	2	RA20	7000 lbs.	4
1452		10	RA132	22000 lbs.	4	RA21	2300 lbs.	5
1453		10	RA132	13000 lbs.	5	RA23	3500 lbs.	6
1454	28000 lbs.	21	RA132	15000 lbs.	14	RA236	16000 lbs.	6
1454	28000 lbs.	21	RA133	13000 lbs.	2	RA24	3500 lbs.	6
1455	18000 lbs.	23	RA135	16000 lbs.	21	RA240	17000 lbs.	3
1455	18000 lbs.	23	RA136	16000 lbs.	21	RA241		35
1456	22000 lbs.	1	RA138	16000 lbs.	21	RA243	18500 lbs.	11
1457		4	RA14	2300 lbs.	5	RA245	21000 lbs.	23
1458	18500 lbs.	23	RA140	18000 lbs.	3	RA245	21000 lbs.	23
1459	22000 lbs.	1	RA143	16000 lbs.	21	RA246	18500 lbs.	2
1459	22000 lbs.	1	RA145	18500 lbs.	23	RA25	13500 lbs.	5
1459	22000 lbs.	1	RA146	18500 lbs.	23	RA250	21000 lbs.	30
1459	22000 lbs.	1	RA147	18500 lbs.	23	RA251	22000 lbs.	24
1486	18500 lbs.	19	RA149	17000 lbs.	21	RA252	22000 lbs.	24
1492		6	RA15	6000 lbs.	3	RA252	23000 lbs.	32
1493	18500 lbs.	19	RA150	21000 lbs.	1	RA255	23000 lbs.	25
1497	23000 lbs.	25	RA151	23000 lbs.	8	RA256	23000 lbs.	24
14ADA		34	RA151	23000 lbs.	8	RA256	22000 lbs.	32
14ADB		35	RA152	23000 lbs.	8	RA257	23000 lbs.	24
14ADC		35	RA152	23000 lbs.	8	RA26	13500 lbs.	5
14ADD		35	RA155	23000 lbs.	25	RA26	23500 lbs.	27
14ADH		35	RA155	23000 lbs.	25	RA262	18500 lbs.	6
14ARB		36	RA155	23000 lbs.	25	RA262	18500 lbs.	19
14ARC		37	RA156	23000 lbs.	25	RA264	22000 lbs.	32
14ARD		37	RA156	23000 lbs.	25	RA265	22000 lbs.	35
14ARE		37	RA157	23000 lbs.	25	RA266	22000 lbs.	32
14ARG		36	RA157	23000 lbs.	25	RA267	22000 lbs.	32
14CDA		34	RA158	23000 lbs.	25	RA268	23000 lbs.	32
14CDB		36	RA158	23000 lbs.	25	RA27		14
14EEA		38	RA158	23000 lbs.	25	RA270	23000 lbs.	32
14GDA		35	RA16	5000 lbs.	7	RA271	23000 lbs.	32
14GEA		36	RA160	18000 lbs.	19	RA272	23000 lbs.	32
14GEB		36	RA161	18500 lbs.	20	RA273	23000 lbs.	32
14GEC		36	RA162	18500 lbs.	19	RA274	24000 lbs.	8
14GED		36	RA164	22000 lbs.	32	RA274	23000 lbs.	32
14GEH		36	RA165	21000 lbs.	27	RA274	24000 lbs.	40
14GEJ		36	RA166	22000 lbs.	32	RA275	24000 lbs.	8
14GEK		36	RA167	22000 lbs.	32	RA275	29000 lbs.	40

For in-text symbols, see page 6.

Navistar Axle Model Index (continued)

Model	Capacity	Line No.	Model	Capacity	Line No.	Model	Capacity	Line No.
RA276	24000 lbs.	8	RA333	38000 lbs.	32	RA391	38000 lbs.	27
RA276	29000 lbs.	40	RA334	38000 lbs.	32	RA391	38000 lbs.	27
RA277	29000 lbs.	28	RA335	44000 lbs.	32	RA392	38000 lbs.	27
RA278		30	RA336	44000 lbs.	32	RA392	38000 lbs.	27
RA279	36000 lbs.	8	RA337	44000 lbs.	32	RA393	38000 lbs.	27
RA28	3500 lbs.	6	RA338	44000 lbs.	32	RA393	38000 lbs.	27
RA282	26000 lbs.	7	RA339	44000 lbs.	32	RA395	44000 lbs.	36
RA286	18500 lbs.	23	RA34	19000 lbs.	3	RA396	34000 lbs.	18
RA29	13500 lbs.	7	RA340	38000 lbs.	32	RA397	38000 lbs.	32
RA29	13500 lbs.	31	RA340	36000 lbs.	38	RA399	44000 lbs.	32
RA290	24000 lbs.	21	RA341	30000 lbs.	16	RA399	46000 lbs.	32
RA290	23000 lbs.	32	RA342	40000 lbs.	7	RA4	2300 lbs.	5
RA291	22000 lbs.	34	RA342	40000 lbs.	7	RA40	16000 lbs.	6
RA292	23000 lbs.	21	RA343	44000 lbs.	7	RA408	34000 lbs.	17
RA292	22000 lbs.	24	RA344	38000 lbs.	32	RA408	34000 lbs.	17
RA292	22000 lbs.	24	RA345	38000 lbs.	20	RA41	16000 lbs.	12
RA293	23000 lbs.	7	RA346	34000 lbs.	18	RA41	18500 lbs.	19
RA294	35000 lbs.	8	RA347	36000 lbs.	21	RA42	17500 lbs.	16
RA299		9	RA348	38000 lbs.	32	RA426		22
RA3	2500 lbs.	6	RA349	34000 lbs.	18	RA429	34000 lbs.	15
RA30	13500 lbs.	1	RA35	15000 lbs.	12	RA43	18500 lbs.	6
RA30	15000 lbs.	10	RA35	16000 lbs.	40	RA430	58000 lbs.	5
RA300	60000 lbs.	8	RA350	38000 lbs.	32	RA430	34000 lbs.	27
RA301	22000 lbs.	28	RA350	50000 lbs.	32	RA431	23000 lbs.	32
RA302	34000 lbs.	17	RA351	34000 lbs.	13	RA431	23000 lbs.	32
RA303	34000 lbs.	17	RA352	48000 lbs.	4	RA432	23000 lbs.	32
RA304	34000 lbs.	17	RA352	48000 lbs.	4	RA432	23000 lbs.	32
RA305	28000 lbs.	21	RA353	44000 lbs.	7	RA433	38000 lbs.	32
RA306	34000 lbs.	17	RA353	44000 lbs.	7	RA434	38000 lbs.	32
RA306	34000 lbs.	17	RA354	44000 lbs.	4	RA437	34000 lbs.	15
RA306	34000 lbs.	17	RA354	46000 lbs.	20	RA44	18500 lbs.	6
RA307	30000 lbs.	21	RA355	38000 lbs.	14	RA446	44000 lbs.	37
RA308	38000 lbs.	7	RA356	44000 lbs.	36	RA448	44000 lbs.	37
RA308	38000 lbs.	7	RA357	44000 lbs.	36	RA449	44000 lbs.	37
RA309	38000 lbs.	7	RA358	44000 lbs.	36	RA45	18500 lbs.	23
RA309	38000 lbs.	7	RA359	46000 lbs.	32	RA451	38000 lbs.	27
RA31	17500 lbs.	2	RA359	48000 lbs.	32	RA451	38000 lbs.	27
RA31	15000 lbs.	10	RA36	17000 lbs.	19	RA455	44000 lbs.	14
RA310	34000 lbs.	17	RA36	17000 lbs.	19	RA459	50000 lbs.	32
RA311	34000 lbs.	17	RA360	34000 lbs.	17	RA46	18500 lbs.	15
RA312	34000 lbs.	17	RA360	34000 lbs.	17	RA460		36
RA312	34000 lbs.	17	RA361	38000 lbs.	27	RA461	55000 lbs.	28
RA313	34000 lbs.	17	RA361	38000 lbs.	27	RA461	58000 lbs.	41
RA314	34000 lbs.	17	RA362	44000 lbs.	36	RA463	44000 lbs.	7
RA315	34000 lbs.	18	RA363	38000 lbs.	32	RA463	44000 lbs.	7
RA315	34000 lbs.	18	RA364	55000 lbs.	8	RA463	48000 lbs.	27
RA316	34000 lbs.	18	RA365	55000 lbs.	8	RA464	40000 lbs.	7
RA317	34000 lbs.	11	RA369	55000 lbs.	8	RA464	40000 lbs.	7
RA318	38000 lbs.	6	RA37	17000 lbs.	19	RA465	44000 lbs.	27
RA318	34000 lbs.	18	RA370	60000 lbs.	8	RA467	44000 lbs.	37
RA318	34000 lbs.	18	RA371	60000 lbs.	8	RA468	44000 lbs.	7
RA319	38000 lbs.	6	RA372	60000 lbs.	8	RA469	44000 lbs.	37
RA319	34000 lbs.	18	RA373	60000 lbs.	8	RA47	22000 lbs.	14
RA32	19000 lbs.	3	RA373	60000 lbs.	8	RA470	34000 lbs.	33
RA32	15000 lbs.	10	RA374	60000 lbs.	8	RA471	58000 lbs.	17
RA320	36000 lbs.	34	RA375	50000 lbs.	38	RA472	38000 lbs.	14
RA321	36000 lbs.	34	RA375	50000 lbs.	38	RA472	40000 lbs.	21
RA322	36000 lbs.	34	RA377	60000 lbs.	8	RA474	44000 lbs.	14
RA323	38000 lbs.	27	RA378	60000 lbs.	8	RA474	46000 lbs.	32
RA324	38000 lbs.	27	RA38	15000 lbs.	12	RA475	34000 lbs.	6
RA325	38000 lbs.	27	RA382	60000 lbs.	8	RA476	38000 lbs.	14
RA326	44000 lbs.	36	RA382	65000 lbs.	40	RA48	23000 lbs.	15
RA327	44000 lbs.	36	RA383	60000 lbs.	8	RA480		17
RA327F	58000 lbs.	39	RA383	60000 lbs.	8	RA481	40000 lbs.	3
RA327R	58000 lbs.	39	RA386	34000 lbs.	13	RA482		15
RA328	34000 lbs.	18	RA387	38000 lbs.	15	RA483	40000 lbs.	7
RA329	38000 lbs.	32	RA388	34000 lbs.	18	RA484		17
RA33	22000 lbs.	4	RA388	34000 lbs.	35	RA485		17
RA33	15000 lbs.	11	RA389	44000 lbs.	32	RA486	55000 lbs.	5
RA330	38000 lbs.	32	RA39	17000 lbs.	16	RA486	58000 lbs.	5
RA331	38000 lbs.	28	RA390	38000 lbs.	27	RA487	34000 lbs.	2
RA332	38000 lbs.	32	RA390	38000 lbs.	39	RA488	34000 lbs.	2

A P P L I C A T I O N S
TRAILER, TAG & PUSHER AXLES
FRONT AXLES
DRIVE AXLES
PINION SEALS
CONMET®
LIGHT TRUCK

Navistar Axle Model Index (continued)

Model	Capacity	Line No.	Model	Capacity	Line No.	Model	Capacity	Line No.
RA490	38000 lbs.	7	RA704	34000 lbs.	17	RAADD		6
RA491	38000 lbs.	7	RA704	34000 lbs.	17	RAADE		31
RA491	38000 lbs.	7	RA705	38000 lbs.	27	RAADG	800 lbs.	6
RA492	38000 lbs.	1	RA705	38000 lbs.	27	RAADH	800 lbs.	6
RA493	34000 lbs.	2	RA706	34000 lbs.	18	RAADN	500 lbs.	31
RA493	34000 lbs.	2	RA706	42000 lbs.	42	RAADP	500 lbs.	31
RA493	38000 lbs.	35	RA707	44000 lbs.	32	RAAED		6
RA494	38000 lbs.	7	RA71	23000 lbs.	32	RAAEG		36
RA494	38000 lbs.	7	RA72	23000 lbs.	32	RAARB		36
RA495	50000 lbs.	3	RA72	23000 lbs.	32	RAARC		39
RA496	38000 lbs.	7	RA727	15000 lbs.	16	RAARD		39
RA496	38000 lbs.	7	RA727	28000 lbs.	31	RAARE		39
RA497	38000 lbs.	3	RA728	15000 lbs.	16	RAARH		6
RA497	38000 lbs.	3	RA728	28000 lbs.	31	RAARJ		36
RA498	34000 lbs.	2	RA73	23000 lbs.	32	RACDB		36
RA498	34000 lbs.	2	RA73	23000 lbs.	32	RACEA		36
RA499		36	RA74	23000 lbs.	32	RACEB		36
RA5	3200 lbs.	18	RA74	23000 lbs.	32	RAEEB		36
RA50	22000 lbs.	1	RA75	23000 lbs.	25	RAEEC		17
RA50	22000 lbs.	1	RA76	23000 lbs.	32	RAERA		36
RA500	65000 lbs.	5	RA76	23000 lbs.	32	RAERB		39
RA502		29	RA77	23000 lbs.	7	RAGDA		6
RA51	23000 lbs.	15	RA78	16000 lbs.	20	RAGEB		36
RA51	2500 lbs.	19	RA79		8	RAGEC		36
RA52	23000 lbs.	15	RA80	23000 lbs.	25	RAGED		36
RA52	2500 lbs.	19	RA81	23000 lbs.	25	RAGEE		36
RA53	3700 lbs.	8	RA83	3700 lbs.	8	RAGEH		36
RA54	3700 lbs.	8	RA84	3700 lbs.	8	RAGEL		32
RA55	23000 lbs.	25	RA87	18500 lbs.	23	RAGEM		36
RA56	18500 lbs.	15	RA87	18500 lbs.	23	RAGRA		6
RA57	23000 lbs.	14	RA88	23000 lbs.	7	RAGRB		32
RA58	22000 lbs.	6	RA88	23000 lbs.	7	RAGRC		32
RA58	18500 lbs.	19	RA89	17500 lbs.	3	RAGRD		36
RA59	22000 lbs.	25	RA89	17500 lbs.	17	RAGRE		36
RA6	2000 lbs.	18	RA9	3500 lbs.	6	RAGRG		39
RA60	18500 lbs.	6	RA90	22000 lbs.	15	RAGRH		36
RA63	7000 lbs.	9	RA90	23000 lbs.	32	RAGRJ		39
RA63	15000 lbs.	13	RA90	23000 lbs.	32	RAGRN		32
RA64	22000 lbs.	25	RA91	26000 lbs.	7	RAGRP		36
RA65	22000 lbs.	27	RA92	29000 lbs.	28	RAGRR		36
RA66	22000 lbs.	32	RA92	30000 lbs.	37	RAGRS		36
RA67	24000 lbs.	32	RA95	22000 lbs.	7	RAGRXX		6
RA69	23500 lbs.	28	RA96	18500 lbs.	13	RAGRY		32
RA70	23000 lbs.	32	RA97	23000 lbs.	7			
RA701	34000 lbs.	18	RA98	20000 lbs.	13			
RA702	38000 lbs.	32	RA99	20000 lbs.	17			
RA702	38000 lbs.	32	RAACA		6			
RA703	34000 lbs.	18	RAADB		6			
RA703	38000 lbs.	32	RAADC		6			

Mfr Line Number	Scotseal® PlusXL	Scotseal® Classic	Scotseal® Longlife	Inner (Cone/Cup)	Outer (Cone/Cup)	Grease Seal Location	Number
--------------------	---------------------	----------------------	-----------------------	---------------------	---------------------	-------------------------	--------

Navistar

1				BR28584/ BR28521	BR25584/ BR25521	Inner - Single Whl.	26921
						Inner - Dual Whls.	33073
2		31307		BR3984/ BR3920	BR462/ 453-X		
3				BR395/ 394-A	BR377/ BR374	Inner	33136

Mfr Line Number	Scotseal® PlusXL	Scotseal® Classic	Scotseal® Longlife	Inner (Cone/Cup)	Outer (Cone/Cup)	Grease Seal Location	Grease Seal Number
Navistar (continued)							
8 Bolt Whls.				BR28995/ BR28920	LM104949/ JLM104910	Inner	33073
4				BR3982/ BR3920	BR377/ BR374	Inner	33136
5 Exc. Cast Whls.				BR3984/ BR3920	BR29585/ BR29520	Inner	33136
Cast Whls.	38776	38780		BR47686/ BR47620 ▲SET411	BR39590/ BR39520 ▲SET408	Inner	38774
6	38776	38780		BR47686/ BR47620 ▲SET411	BR39590/ BR39520 ▲SET408	Inner - Seal Kit	1308
						Inner - Seal w/o Sleeve w/.500" Width	38774
						Inner - Seal w/o Sleeve w/.750" Width	38777
7 2.813" Inner Brg. I.D.	34994	35000		BR33281/ BR33462	BR39585/ BR39520	Inner	35029
2.875" Inner Brg. I.D.	34994	35000		BR33287/ BR33462	BR39585/ BR39520	Inner	35029
8				BR782/ BR772			
9		43860		BR598/ 592-A	BR575/ BR572	Inner	43820
10				BR3984/ BR3920	BR29585/ BR29520	Inner	33136
11	34384	34387		BR33281/ BR33462	BR39585/ BR39520	Inner	35012
12		38709		BR42688/ BR42620	BR39585/ BR39520	Inner	38703
13 3.000" Inner Cone I.D.	38776	38780		BR47678/ BR47620	BR39585/ BR39520	Inner - Seal w/o Sleeve	38774
Inner Brg. Shaft						Seal Kit	1308
3.250" Inner Cone I.D.	38776	38780		BR47686/ BR47620 ▲SET411	BR39590/ BR39520 ▲SET408	Inner - Seal Kit	1308
						Inner - Seal Only	38774
14 4.500" Shaft	45157	45160		594-A/ 592-A ▲SET403	BR580/ BR572 ▲SET401	Inner	45150
4.766" Shaft	47692	47697 or 47698 ⁵	47693	594-A/ 592-A ▲SET403	BR580/ BR572 ▲SET401	Inner - Seal Kit	1211
						Outer	31378

APPLICATIONS

TRAILER, TAG & PUSH AXLES

FRONT AXLES

DRIVE AXLES

PINION SEALS

CONMET®

LIGHT TRUCK

Mfr Line Number	Scotseal® PlusXL	Scotseal® Classic	Scotseal® Longlife	Inner (Cone/Cup)	Outer (Cone/Cup)	Grease Seal Location	Grease Seal Number
Navistar (continued)							
15	45157	45160		594-A/ 592-A ▲SET403	BR580/ BR572 ▲SET401	Inner	45150
16	38776	38780		BR47678/ BR47620	BR39585/ BR39520	Inner	38777
17		48884		BR760/ BR752	BR749/ BR742		
18				3382-T/ BR3320		Inner - 1424 Inner - Exc. 1424 Outer - 1424	15649 15677 20554
19				LM48548/ LM48510 ▲BR5	LM48548/ LM48510 ▲BR5	Inner Outer	13671 16062
20	4.375" Shaft	43860		594-A/ 592-A ▲SET403	BR580/ BR572 ▲SET401		
	4.767" Shaft	47692	47697 or 47698 ⁵	47693 594-A/ 592-A ▲SET403	BR580/ BR572 ▲SET401		
21	4.500" Shaft	45157	45160	594-A/ 592-A ▲SET403	BR580/ BR572 ▲SET401		
	4.766" Shaft	47692	47697 or 47698 ⁵	47693 594-A/ 592-A ▲SET403	BR580/ BR572 ▲SET401		
	4.824" Shaft			594-A/ 592-A ▲SET403	BR580/ BR572 ▲SET401		
22		46300	46305	46308	HM218248/ HM218210 ▲SET414	HM212049/ HM212011 ▲SET413	
23		34994	35000		BR33287/ BR33462	BR39520/ BR39585	
24		38776	38780		BR47678/ BR47620	BR39520/ BR39585	
25					BR594/ BR592	BR580/ BR572 ▲SET401	
26		34994	35000		BR33281/ BR33462	BR39520/ BR39585	

For in-text symbols, see page 6.

Mfr Line Number	Scotseal® PlusXL	Scotseal® Classic	Scotseal® Longlife	Inner (Cone/Cup)	Outer (Cone/Cup)	Grease Seal Location	Grease Seal Number
Navistar (continued)							
27	47692	47697 or 47698 ⁵	47693	594-A/ 592-A ▲SET403	BR580/ BR572 ▲SET401		
28	38776	38780		BR47678/ BR47620	BR39520/ BR39585		
29		48884		BR760/ BR752	BR742/ BR749		
30 5.381" Seal O.D.		38747		BR47686/ BR47620 ▲SET411	BR39590/ BR39520 ▲SET408		
5.696" Seal O.D.	38776	38780		BR47686/ BR47620 ▲SET411	BR39590/ BR39520 ▲SET408		
31 Thru 8/81	34994	35000		BR33281/ BR33462	BR39585/ BR39520	Inner	35029
From 9/81				BR33287/ BR33462	BR39585/ BR39520	Inner	35029
32	45157	45160		594-A/ 592-A ▲SET403	BR580/ BR572 ▲SET401		
33	47692	47697 or 47698 ⁵	47693	BR760/ BR752	BR749/ BR742		
34	34384	34387		BR33287/ BR33462	BR3982/ BR3920		
35	38776	38780		BR47686/ BR47620 ▲SET411	BR39590/ BR39520 ▲SET408		
36	47692	47697	47693	594-A/ 592-A ▲SET403	BR580/ BR572 ▲SET401		
37		55177		BR782/ BR772	BR749/ BR742		
38				598-A/ 592-A ▲SET404	BR580/ BR572 ▲SET401		
39		55177		BR782/ BR772	BR749/ BR742		
40		48884		BR760/ BR752	BR749/ BR742		

APPLICATIONS

TRAILER, TAG & PUSH AXLES

FRONT AXLES

DRIVE AXLES

PINION SEALS

CONMET®

LIGHT TRUCK

Mfr Line Number	Scotseal® PlusXL	Scotseal® Classic	Scotseal® Longlife	Inner (Cone/Cup)	Outer (Cone/Cup)	Grease Seal Location	Grease Seal Number
--------------------	---------------------	----------------------	-----------------------	---------------------	---------------------	-------------------------	-----------------------

Navistar (continued)

41							
Disc Whls.		43860		BR598/ 592-A	BR575/ BR572		
Cast Whls.	38776	38780		BR598/ 592-A	BR575/ BR572		
42							
.....	47692	47697	47693	BR582/ BR572 ▲SET402	BR42687/ BR42620		

Navistar School Bus Axle Model Index

Model	Line No.	Model	Line No.	Model	Line No.	Model	Line No.
RA146	1	RA187	2	RA286	1	RA42	2
RA149	1	RA189	1	RA29	2	RA43	2
RA184	1	RA199	1	RA30	2	RA44	2
RA186	1	RA25	1	RA39	1		

Mfr Line Number	Scotseal® PlusXL	Scotseal® Classic	Scotseal® Longlife	Inner (Cone/Cup)	Outer (Cone/Cup)	Grease Seal Location	Grease Seal Number
--------------------	---------------------	----------------------	-----------------------	---------------------	---------------------	-------------------------	-----------------------

Navistar School Bus

1							
.....	38776	38780		BR47686/ BR47620 ▲SET411	BR39590/ BR39520 ▲SET408		
2							
.....	34994	35000		BR33281/ BR33462	BR39585/ BR39520		

Navistar Truck Axle Model Index

Model	Line No.	Model	Line No.	Model	Line No.	Model	Line No.
LFE700	1	LFE900	1				

Mfr Line Number	Scotseal® PlusXL	Scotseal® Classic	Scotseal® Longlife	Inner (Cone/Cup)	Outer (Cone/Cup)	Grease Seal Location	Grease Seal Number
--------------------	---------------------	----------------------	-----------------------	---------------------	---------------------	-------------------------	-----------------------

Navistar Truck

1							
.....						Inner	31515

Nissan Axle Model Index

Model	Line No.	Model	Line No.	Model	Line No.	Model	Line No.
CPB12	1	UD3000/CPB14	1	UD550T/CPC14-T	1		
CPC12	1	UD3300/CPC14	1				

Mfr Line Number	Scotseal® PlusXL	Scotseal® Classic	Scotseal® Longlife	Inner (Cone/Cup)	Outer (Cone/Cup)	Grease Seal Location	Grease Seal Number
--------------------	---------------------	----------------------	-----------------------	---------------------	---------------------	-------------------------	-----------------------

Nissan

1							
.....						Inner	60622

Oshkosh Axle Model Index

Model	Line No.	Model	Line No.	Model	Line No.	Model	Line No.
18-34	1	W1600	5	W712	7	WA1600	4
18-38	3	W1602	6	W825-6X6	7	WA906-6X6	4
F2034	1	W609	5	W825-6X6HD	3		
F2044	2	W703	5	W826-6X6	7		
F2050	1	W705	6	W826-6X6HD	3		
M18-34	1	W709	5	W827-6X6HD	3		
M18-38	3	W710	5	W906-6X6	8		

Mfr Line Number	Scotseal® PlusXL	Scotseal® Classic	Scotseal® Longlife	Inner (Cone/Cup)	Outer (Cone/Cup)	Grease Seal Location	Grease Seal Number
--------------------	---------------------	----------------------	-----------------------	---------------------	---------------------	-------------------------	-----------------------

Oshkosh

1							
2		42800					Outer Seal Kit 31378 Inner Seal Kit Alum. Hub 54930
3							Inner - Seal Kit w/Cast Hub & 4.766" Shaft 1211 Inner - Alum. Hub 52445 Inner - Seal Kit w/Cast Hub & 4.824" Shaft 54930
4							Inner Seal Kit 4.766" Shaft 1211 Axle Shaft 24931 Inner Seal Kit 4.824" Shaft 54930
5							Axle Shaft Exc. W703, W1600 22492 Axle Shaft W703 24286 Axle Shaft W1600 24931
6							Inner - W705 46285 Inner - W1602 67540
7							Axle Shaft W712 22492
8							Axle Shaft 25065 Inner 54972

Peterbilt Axle Model Index

Model	Line No.	Model	Line No.	Model	Line No.	Model	Line No.
18 Series	1	38D	1	38DPE	1	38DS	1
19 Series	2	38DPC	1	38DS	1	44D	2

APPLICATIONS

TRAILER, TAG & PUSHER AXLES

FRONT AXLES

DRIVE AXLES

PINION SEALS

CONMET®

LIGHT TRUCK

Mfr Line Number	Scotseal® PlusXL	Scotseal® Classic	Scotseal® Longlife	Inner (Cone/Cup)	Outer (Cone/Cup)	Grease Seal Location	Grease Seal Number
1							
.....	47692	47697	47693	BR598/ 592-A	BR580/ BR572 ▲SET401		
2							
.....	47692	47697	47693	BR594/ 592-A	BR575/ BR572		

Peterbilt Truck Axle Model Index

Model	Line No.	Model	Line No.	Model	Line No.	Model	Line No.
120	1	351	1	370	4	390	1
260	2	355DT	2	371	3		
280	3	360	4	380	4		
281	3	365DT	2	381	4		

Mfr Line Number	Scotseal® PlusXL	Scotseal® Classic	Scotseal® Longlife	Inner (Cone/Cup)	Outer (Cone/Cup)	Grease Seal Location	Grease Seal Number
1							
.....						Inner - 351	47394
						Inner - 390	67533
2							
.....						Axle Shaft - 260	22492
						Axle Shaft	
						355DT, 365DT	24931
3							
.....						Inner Seal Kit	
						4.766" Shaft	1211
						Outer Seal Kit	31378
						Inner Seal Kit	
						4.824" Shaft	54930
4							
.....						Inner Seal Kit	
						4.766" Shaft	1212
						Inner Seal Kit	
						4.824" Shaft	54935

Rockwell - See ArvinMeritor

SISU Axle Model Index

Model	Capacity	Line No.	Model	Capacity	Line No.	Model	Capacity	Line No.
FRDP-11-S (8/95 Thru 9/02)	22000 lbs.	2	FRFP-13-S (Thru Ser. No. 20576)	26000 lbs.	2	FRP-16-S (Thru Ser. No. 20576)	32000 lbs.	2
FRDP-13-S	26000 lbs.	1	FRMP-11-S (8/95 Thru 9/02)	22000 lbs.	2	SRDP-30-S (8/95 Thru 9/02)	60000 lbs.	2
FRDP-16-S	32000 lbs.	1	FRMP-13-S	26000 lbs.	1			
FRFP-11-S (8/95 Thru 9/02)	22000 lbs.	2	FRMP-16-S	32000 lbs.	1			

Mfr Line Number	Scotseal® PlusXL	Scotseal® Classic	Scotseal® Longlife	Inner (Cone/Cup)	Outer (Cone/Cup)	Grease Seal Location	Grease Seal Number
SISU							
1 Thru Ser. No. 53334	47692	47697	47693				
2		534320					

Spicer Axle Model Index

Model	Capacity	Line No.	Model	Capacity	Line No.	Model	Capacity	Line No.
185T	19000 lbs.	11	G185S	18500 lbs.	3	M190T	19000 lbs.	3
23	2300 lbs.	5	G185T	18500 lbs.	3	M200S	19000 lbs.	14
27	2300 lbs.	5	G190S	19000 lbs.	3	M210T	21000 lbs.	11
30	2500 lbs.	6	G340S	34000 lbs.	11	M220S	22000 lbs.	4
44	3500 lbs.	6	G380S	38000 lbs.	12	M220T	22000 lbs.	4
60	5000 lbs.	7	G400S	40000 lbs.	12	M230T	23000 lbs.	13
60-2	37000 lbs.	8	J175S	17500 lbs.	10	M460S	46000 lbs.	12
70	7000 lbs.	9	J190S	19000 lbs.	11	N175	17500 lbs.	11
70HD	7000 lbs.	9	J210S	21000 lbs.	11	N190	19000 lbs.	11
D135S	13500 lbs.	1	J220S	22000 lbs.	12	N340	34000 lbs.	11
F155S	15500 lbs.	14	J340S	34000 lbs.	11	S135S	13500 lbs.	1
F170S	17000 lbs.	10	J400S	40000 lbs.	13	S150S	15000 lbs.	1
G155T	15500 lbs.	14	J460S	46000 lbs.	11	W230S	23000 lbs.	12
G175S	17500 lbs.	2	M185T	18500 lbs.	3	W460S	46000 lbs.	11
G175T	17500 lbs.	2	M190S	19000 lbs.	3	WC190S	19000 lbs.	14

Mfr Line Number	Scotseal® PlusXL	Scotseal® Classic	Scotseal® Longlife	Inner (Cone/Cup)	Outer (Cone/Cup)	Grease Seal Location	Grease Seal Number
Spicer							
1 Navistar - 2.813" Inner Cone I.D.	34994	35000		BR33281/ BR33462	BR39585/ BR39520	Inner	35012
Navistar - 2.875" Inner Cone I.D.	34994	35000		BR33287/ BR33462	BR39585/ BR39520	Inner	35012
2 Ford		39425		495-AX/ BR493	BR39590/ BR39520 ▲SET408	Inner - Seal Kit	1322
GMC - 3.875" Shaft	38776	38780		495-AX/ BR493	BR39590/ BR39520 ▲SET408	Outer Seal Kit	25160
GMC - 3.938" Shaft		39420		495-AX/ BR493	BR39590/ BR39520 ▲SET408	Inner - Seal	39423
Navistar	38776	38780		BR47678/ BR47620	BR39585/ BR39520	Inner	38777
3 Ford	38776	38780		BR47686/ BR47620 ▲SET411	BR39590/ BR39520 ▲SET408	Inner - Seal Kit	1308
GMC - 5.506" Seal O.D. ...		38750		BR47686/ BR47620 ▲SET411	BR39590/ BR39520 ▲SET408	Inner - Seal w/o Sleeve	38777
GMC - 5.696" Seal O.D. ...	38776	38780		BR47686/ BR47620 ▲SET411	BR39590/ BR39520 ▲SET408		
Navistar	38776	38780		BR47686/ BR47620 ▲SET411	BR39590/ BR39520 ▲SET408	Inner	1308

Mfr Line Number	Scotseal® PlusXL	Scotseal® Classic	Scotseal® Longlife	Inner (Cone/Cup)	Outer (Cone/Cup)	Grease Seal Location	Number
Spicer (continued)							
4 Ford	47692	47697 or 47698 ⁵	47693	594-A/ 592-A ▲SET403	BR580/ BR572 ▲SET401		
GMC - 6.006" Seal O.D. ...		47690		594-A/ 592-A ▲SET403	BR580/ BR572 ▲SET401		
GMC - 6.259" Seal O.D. ...	48002	48000		594-A/ 592-A ▲SET403	BR580/ BR572 ▲SET401		
GMC - 6.316" Seal O.D. ...	47692	47697 or 47698 ⁵	47693	594-A/ 592-A ▲SET403	BR580/ BR572 ▲SET401		
Navistar	47692	47697 or 47698 ⁵	47693	594-A/ 592-A ▲SET403	BR580/ BR572 ▲SET401		
5 Navistar - Exc. RA4, RA14 .				14132-T/ BR14276		Inner	13165
Navistar - RA4, RA14				15121-T/ BR15245		Inner	11081
						Outer	12508
6 Navistar - Exc. RA18, RA28..				3382-T/ BR3320		Inner	15649
Navistar - RA18, RA28 w/.766" Inner Brg. Width ...				BR10		Exc. AM80	20554
						Inner	15141
Navistar - RA18, RA28 w/.870" Inner Brg. Width ...				BR7		Outer	18731
						Inner	15141
						Outer	18731
7 Navistar				BR28584/ BR28521	BR25584/ BR25521	Inner - Exc. Dual Whls.	26921
						Inner - Dual Whls.	33073
8 Navistar - RA53, RA54				BR7		Inner	15141
Navistar - RA83, RA84				BR10		Outer	18545
						Inner	15141
						Outer	18731
9 GMC				387-A/ 382-A	LM104949/ LM104911 ▲BR38	Inner	28425
Navistar				BR28995/ BR28920	LM104949/ JLM104910	Inner	33073
10 3.000" Inner Cone I.D.	38776	38780		BR47678/ BR47620	BR39585/ BR39520		
3.250" Inner Cone I.D.		38747		BR47686/ BR47620 ▲SET411	BR39585/ BR39520		
11 3.000" Inner Cone I.D.		38750		BR47678/ BR47620	BR39585/ BR39520		

For in-text symbols, see page 6.

Mfr Line Number	Scotseal® PlusXL	Scotseal® Classic	Scotseal® Longlife	Inner (Cone/Cup)	Outer (Cone/Cup)	Grease Seal Location	Grease Seal Number
Spicer (continued)							
3.250" Inner Cone I.D.	38776	38780		BR47686/ BR47620 ▲SET411	BR39590/ BR39520 ▲SET408		
12	45157	45160		594-A/ 592-A ▲SET403	BR580/ BR572 ▲SET401		
13 6.259" Seal O.D.	48002	48000		594-A/ 592-A ▲SET403	BR580/ BR572 ▲SET401		
6.316" Seal O.D.	47692	47697 or 47698 ⁵	47693	594-A/ 592-A ▲SET403	BR580/ BR572 ▲SET401		
14	34994	35000		BR33281/ BR33462	BR39585/ BR39520		

Sterling Axle Model Index

Model	Line No.	Model	Line No.	Model	Line No.	Model	Line No.
CC20	1	DDS150	3	HB2001	6	HDS140	3
CC235	1	HA1601	1	HB2001D	6	HWS160H	3
DD115	2	HA1701	1	HB2254	6	HWS235	1
DD145	4	HB1101	5	HD110	3	HWS235G	1
DD145H	4	HB1604	2	HD135	3	HWS235H	1
DD150	3	HB1701	1	HD145	6		
DDS135	2	HB1904	4	HD145H	6		

Mfr Line Number	Scotseal® PlusXL	Scotseal® Classic	Scotseal® Longlife	Inner (Cone/Cup)	Outer (Cone/Cup)	Grease Seal Location	Grease Seal Number
Sterling							
1						Inner Seal Kit 4.766" Shaft	1212
						Inner Seal Kit 4.824" Shaft	54935
2						Axle Shaft	22446
						Inner	49928
3						Axle Shaft	22492
4						Axle Shaft	25043
						Inner	47394
5		42800					
6						Axle Shaft Exc. HB2001, HD2001D	26209
						Axle Shaft HB2001, HD2001D	26220

APPLICATIONS
 TRAILER, TAG & PUSHER AXLES
 FRONT AXLES
 DRIVE AXLES
 PINION SEALS
 CONMET®
 LIGHT TRUCK

Superior Axle Model Index

Model	Line No.	Model	Line No.	Model	Line No.	Model	Line No.
AG3102	1	AG3302	1	SG04	1		

Mfr Line Number	Scotseal® PlusXL	Scotseal® Classic	Scotseal® Longlife	Inner (Cone/Cup)	Outer (Cone/Cup)	Grease Seal Location	Number
--------------------	---------------------	----------------------	-----------------------	---------------------	---------------------	-------------------------	--------

Superior

①			42800				
---	--	--	-------	--	--	--	--

Twin Coach Axle Model Index

Model	Line No.	Model	Line No.	Model	Line No.	Model	Line No.
35G	4	41R	4	45S	4	FL40	2
35R	4	41S	4	4877W	5	FT30	3
35S	4	44GTT	5	50S	4	FT33	2
40GGT	5	44R	5	FL30	1	FT35	2
40R	5	44S	4	FL33	2	FT40	2
41G	4	44TTW	5	FL35	2	FT40DL	2

Mfr Line Number	Scotseal® PlusXL	Scotseal® Classic	Scotseal® Longlife	Inner (Cone/Cup)	Outer (Cone/Cup)	Grease Seal Location	Number
--------------------	---------------------	----------------------	-----------------------	---------------------	---------------------	-------------------------	--------

Twin Coach

①						Inner Seal Kit 4.766" Shaft 1211 Outer Seal Kit 31378 Inner Seal Kit 4.824" Shaft 54930
1953						
1952		42800				
②						Inner Seal Kit 4.766" Shaft 1211 Outer Seal Kit 8 Bolt Holes 31378 Inner Seal Kit 4.824" Shaft 54930
③						
		42800				
④						Axle Shaft 22492 Inner - (Felt) 633
⑤						Inner 24931

United Diesel - See Nissan

Volvo Axle Model Index

Model	Line No.	Model	Line No.	Model	Line No.	Model	Line No.
23121	4	F607	1	F615	2	F86	3
23421	4	F609	1	F616	2	N11	3
EV85	3	F610	1	F7	3		

Mfr Line Number	Scotseal® PlusXL	Scotseal® Classic	Scotseal® Longlife	Inner (Cone/Cup)	Outer (Cone/Cup)	Grease Seal Location	Grease Seal Number
1				BR33015		Inner - F609	43310
2	45157	45160		BR594/ 592-A	BR580/ BR572 ▲SET401		
3				BR683/ BR672	BR633/ BR653		
4	47692	47697 or 47698 ⁵	47693	594-A/ 592-A ▲SET403	BR580/ BR572 ▲SET401		

Ward LaFrance Axle Model Index

Model	Line No.	Model	Line No.	Model	Line No.	Model	Line No.
120	8	82	9	D3F	3	D650T	1
120 Tractor	4	83	9	D3G	4	DS5H	1
150	8	85	8	D3H	1	F3SH	1
400R1-44	5	D1T	2	D3SF	1	FD1	6
400RD1-44	5	D1T2	2	D3SG	4	FD2	6
500R1-44	4	D1T4	2	D3ST	2	G310S	5
500R66	7	D2	3	D3T	2	G340S	4
500RD1-44	4	D2B	3	D3T2	2	G400S	6
500RD53	7	D2BF	3	D3T4	2	G490T	7
500RD66	7	D2BG	4	D400S	6	G530T	7
56	9	D2BH	1	D490T	7	G550T	4
56H	9	D2K	3	D530T	7	G590T	4
56LD	9	D2KH	1	D550T	4	G610T	1
56QD	9	D2KT	2	D590T	4	G650T	1
58	9	D2Z	3	D5NT	2	W5N	4
59	8	D2ZF	3	D5NT4	2	W5RB	4
600R1-44	6	D2ZG	4	D5RT	2		
600R53-66	1	D2ZH	1	D5RT4	2		
700R53-66	1	D2ZT	2	D5T	2		
700RD1-44	6	D310S	5	D5T4	2		
75	9	D340S	4	D610T	1		

Mfr Line Number	Scotseal® PlusXL	Scotseal® Classic	Scotseal® Longlife	Inner (Cone/Cup)	Outer (Cone/Cup)	Grease Seal Location	Grease Seal Number
--------------------	---------------------	----------------------	-----------------------	---------------------	---------------------	-------------------------	-----------------------

Ward LaFrance

1						Inner Seal Kit 4.766" Shaft	1212
2						Inner Seal Kit 4.824" Shaft	54935
3						Axle Shaft	22492
						Inner Seal Kit 4.766" Shaft	1212
						Inner Seal Kit 4.824" Shaft	54935

APPLICATIONS

TRAILER, TAG & PUSHER AXLES

FRONT AXLES

DRIVE AXLES

PINION SEALS

CONMET®

LIGHT TRUCK

Mfr Line Number	Scotseal® PlusXL	Scotseal® Classic	Scotseal® Longlife	Inner (Cone/Cup)	Outer (Cone/Cup)	Grease Seal Location	Grease Seal Number
Ward LaFrance (continued)							
4						Inner Seal Kit 4.766" Shaft	1211
						Outer Seal Kit Exc. D2ZG, D3G, D3SG	31378
						Inner Seal Kit 4.824" Shaft	54930
5						Inner Seal Kit 4.766" Shaft	1211
						Inner Seal Kit 4.824" Shaft	54930
6						Axle Shaft FD1, FD2	24931
7						Inner Seal Kit Exc. Alum. Hub w/4.766" Shaft	1211
						Seal Kit - Alum. Hub	52445
						Seal Kit - Exc. Alum. Hub w/4.824" Shaft	54930
8		42800					
9						Outer - 2.375" Shaft	23685
						Outer - Seal Kit w/2.500" Shaft	25160
						Inner	39385

White Axle Model Index

Model	Capacity	Line No.	Model	Capacity	Line No.	Model	Capacity	Line No.
102C		24	138C	18500 lbs.	11	208C	18500 lbs.	11
105C		2	138C	18500 lbs.	11	209C		28
106C	17000 lbs.	3	140C	22000 lbs.	31	210C		28
106CE	17500 lbs.	3	143C	22000 lbs.	1	211C	23000 lbs.	5
107C		9	144C	11000 lbs.	5	212C	23000 lbs.	31
107CA		25	145C	13000 lbs.	5	213C	29000 lbs.	7
107CD		25	170C		6	214C	29000 lbs.	7
108C	18000 lbs.	11	17121		33	215C	23000 lbs.	31
108C	18500 lbs.	20	17221		33	216C	13000 lbs.	5
109C	14000 lbs.	4	18201		34	216C	13000 lbs.	5
116C	13000 lbs.	5	18221		34	220C	22000 lbs.	1
118C	17000 lbs.	3	1890A	22400 lbs.	15	221C	22000 lbs.	1
124C	21000 lbs.	1	189C	22400 lbs.	5	223C	18000 lbs.	2
124CL	21000 lbs.	1	189CA	22400 lbs.	15	223C	18500 lbs.	22
125C	22000 lbs.	31	189CD	22400 lbs.	5	225C	22000 lbs.	23
130C	22000 lbs.	1	19121		34	225C	23000 lbs.	31
132C	23000 lbs.	31	1919		35	229C	22000 lbs.	24
133C	23000 lbs.	1	19221		34	232C	23000 lbs.	31
134C	23000 lbs.	5	199C	23000 lbs.	5	233C		5
134CL	23000 lbs.	5	202C		24	235C	22400 lbs.	15
135C	23000 lbs.	31	205C		26	235C	23000 lbs.	31
136C	16000 lbs.	15	205CA		26	237C	20000 lbs.	1
136C	17000 lbs.	17	205CC		26	237C	23000 lbs.	31
136CA	17000 lbs.	17	205CD		26	238C	18500 lbs.	11
136CB	17000 lbs.	17	206C	17000 lbs.	3	239C	22400 lbs.	1
137C		1	207C		27	239C	23500 lbs.	31

For in-text symbols, see page 6.

White Axle Model Index (continued)

Model	Capacity	Line No.	Model	Capacity	Line No.	Model	Capacity	Line No.
240C	29000 lbs.	8	339C	22000 lbs.	31	423C	34000 lbs.	11
245C		1	33C		9	424C	38000 lbs.	30
24C		6	33C6		9	425C	38000 lbs.	31
26121		34	33C6A		9	426C	38000 lbs.	34
282C		8	33C6B		9	426C	38000 lbs.	34
282CA		8	33CAB		9	427C	34000 lbs.	32
282CB		8	33CAC		9	427C	34000 lbs.	32
282CC		8	33CAL		9	428C	55000 lbs.	8
282CE		8	33CAM		9	429C	44000 lbs.	31
282CF		8	33CAR		9	430C	32000 lbs.	11
282CG		8	340C		6	431C	34000 lbs.	32
282CH		8	341C	16000 lbs.	21	431C	34000 lbs.	32
282CI		8	342C	17000 lbs.	3	432C	30000 lbs.	3
282CJ		8	343C	15000 lbs.	15	433C	38000 lbs.	34
282CK		8	344C	22400 lbs.	1	433C	38000 lbs.	34
282CL		8	344C	23000 lbs.	31	434C	32000 lbs.	3
289C		8	345C	22000 lbs.	1	436C	34000 lbs.	32
292C		8	345C	23000 lbs.	31	437C	38000 lbs.	34
293C	36000 lbs.	8	346C	13000 lbs.	10	438C	34000 lbs.	32
294C		8	347C	23000 lbs.	27	439C	38000 lbs.	11
294CA		8	349C		11	439C	34000 lbs.	34
294CB		8	34C		30	439C	38000 lbs.	34
295D		8	34CL		31	43C		13
302C		24	34D		33	440C	44000 lbs.	5
303C		29	350C		11	44C		29
304C		29	351C		12	450C	36000 lbs.	14
306C	17000 lbs.	3	352	22400 lbs.	12	451C	40000 lbs.	15
308C	18500 lbs.	11	352C		12	452C	36000 lbs.	14
309C	14000 lbs.	4	35327		36	45C		13
309C	18500 lbs.	16	382C		8	48C		10
311C	22400 lbs.	1	389	22400 lbs.	15	67C	16000 lbs.	18
311C	23000 lbs.	31	389C	22000 lbs.	31	77C		7
312C		7	389CA	22000 lbs.	31	78C		9
315C	22400 lbs.	1	389TC	23000 lbs.	31	81C		16
315C	23000 lbs.	31	389TCL	23000 lbs.	31	82C		17
316C	13000 lbs.	5	38C	21000 lbs.	24	82CA		13
317C	13500 lbs.	14	38C	21000 lbs.	24	82CB		13
317C	15000 lbs.	23	38D		34	82CC		13
318C	16000 lbs.	21	38DS (9/81 & Later)		37	82CD		13
319C	18500 lbs.	23	400C	26000 lbs.	33	82CE		13
320C	22000 lbs.	1	401C	60000 lbs.	7	82CF		13
320C	22000 lbs.	1	401C	65000 lbs.	8	82CG		13
321C	23000 lbs.	26	402C	28000 lbs.	21	82CH		13
321C	23000 lbs.	26	403C	22000 lbs.	28	82CI		13
322C	23000 lbs.	31	404C	50000 lbs.	7	82CJ		13
322CL		33	404C	36000 lbs.	8	82CK		13
323C	18500 lbs.	23	404CB	36000 lbs.	8	82CL		13
324C	29000 lbs.	5	405C	36000 lbs.	18	83C	36000 lbs.	7
324C	29000 lbs.	5	406C	36000 lbs.	11	84C		16
325C	22000 lbs.	31	406C	34000 lbs.	20	85C	36000 lbs.	7
325C	22000 lbs.	31	407C	32000 lbs.	31	87C		11
327C	22000 lbs.	31	407CA	32000 lbs.	31	87CE		11
328C	23000 lbs.	25	408C	34000 lbs.	7	87CJ		11
328C	23000 lbs.	25	409C	50000 lbs.	8	87CK		11
328CB	23000 lbs.	25	409CA	50000 lbs.	8	87CL		11
328CB	23000 lbs.	25	410CA		19	87CM		11
329C	21000 lbs.	1	411C	34000 lbs.	18	88C		8
329C	21000 lbs.	1	412C	38000 lbs.	30	88CF		8
329CE	21000 lbs.	1	412CA	38000 lbs.	30	88CG		8
329CE	21000 lbs.	1	413C	38000 lbs.	31	89C		8
330C	23000 lbs.	25	413CA	38000 lbs.	31	89CA		8
333C	20000 lbs.	1	414C	38000 lbs.	30	89CB		8
333C	22000 lbs.	31	415C	60000 lbs.	7	89CC		8
333C	22000 lbs.	31	415C	65000 lbs.	8	89CD		8
333C	22000 lbs.	31	417C	44000 lbs.	31	89CF		8
333TC	23000 lbs.	31	418C	34000 lbs.	18	89CG		8
333TCL	23000 lbs.	31	418CA	34000 lbs.	18	90C		7
335C	23000 lbs.	31	41C		10	90CE		7
335CL	23000 lbs.	31	41CL		10	91C	65000 lbs.	8
336C	17000 lbs.	3	420C	38000 lbs.	31	93C	65000 lbs.	8
337C		6	421C	44000 lbs.	31	94C	65000 lbs.	8
338C	18500 lbs.	11	422C	34000 lbs.	18	94CA	65000 lbs.	8

A P P L I C A T I O N S
T R A I L E R , T A G & P U S H E R A X L E S
F R O N T A X L E S
D R I V E A X L E S
P I N I O N S E A L S
C O N M E T®
L I G H T T R U C K

White Axle Model Index (continued)

Model	Capacity	Line No.	Model	Capacity	Line No.	Model	Capacity	Line No.
95C		3	D340		33	SUDDB		34
96C		8	D380		34	SUHD		40
96CA		8	D400 (9/81 & later)		34	TS135	36000 lbs.	1
96CB		8	DP480P (9/81 & later)		37	TS135L	36000 lbs.	1
96CD		8	DS440P (9/81 & later)		37	TS150	40000 lbs.	1
96CE		8	DS480P (9/81 & later)		37	U240		40
96CF		8	DT440P (9/81 & later)		38	U340		40
96CG		8	R155		37			
96CH		8	SFDD4640		36			
96CI		8	SLHD		39			
96CJ		8	SQ100		37			
96CK		8	SOHD		37			
98C		32	SOHP		37			
98CA		32	SRDD		37			
99C		32	SSHD		38			
99CA		32	STDDA		34			
99CB		32	STHD		34			

Mfr Line Number	Scotseal® PlusXL	Scotseal® Classic	Scotseal® Longlife	Inner (Cone/Cup)	Outer (Cone/Cup)	Grease Seal Location	Grease Seal Number
-----------------	------------------	-------------------	--------------------	------------------	------------------	----------------------	--------------------

White

1	47692	47697 or 47698 ⁵	47693	598-A/ 592-A ▲SET404	BR580/ BR572 ▲SET401		
2		36365		BR560/ 552-A	BR39580/ BR39520	Axle Shaft 19615 Outer 35593 Inner 36363	
3		39380		495-AX/ BR493	BR3984/ BR3920	Outer - 2.375" Shaft 23695 Outer - Seal Kit w/2.500" Shaft 25160	
4	34384	34387		BR33287/ BR33462	BR3982/ BR3920	Outer Seal Kit 23870 Inner 34383	
5		47699		681-A/ BR672	BR580/ BR572 ▲SET401		
6	47692	47697 or 47698 ⁵	47693	598-A/ 592-A ▲SET404	BR580/ BR572 ▲SET401	Inner Seal Kit 1211 Outer Seal Kit 8 Bolt Holes 31378	
7		48884 [*] w/455019		BR760/ BR752	BR749/ BR742	Inner Seal Kit 54935	
8		43860		BR598/ 592-A	BR575/ BR572	Axle Shaft 24931 Inner 43820	
9	40129	40136		BR575/ BR572	BR575/ BR572	Axle Shaft 21749 Inner 41287	
10		31307		BR3984/ BR3920	BR462/ 453-X	Inner Seal Kit 1306	

For in-text symbols, see page 6.

Mfr Line Number	Scotseal® PlusXL	Scotseal® Classic	Scotseal® Longlife	Inner (Cone/Cup)	Outer (Cone/Cup)	Grease Seal Location	Grease Seal Number
White (continued)							
11 Cast Whls.	38776	38780		598-A/ 592-A ▲SET404	BR575/ BR572		
Disc. Whls.		43860		598-A/ 592-A ▲SET404	BR575/ BR572	Inner	43820
12 4.500" Shaft	45157	45160		594-A/ 592-A ▲SET403	BR580/ BR572 ▲SET401	Inner	45150
4.766" Shaft	48002	48000		594-A/ 592-A ▲SET403	BR580/ BR572 ▲SET401		
13		43860		BR598/ 592-A	BR749/ BR742	Inner	43820
14 4.266" Shaft		42800		BR582/ BR572 ▲SET402	BR42688/ BR42620		
4.766" Shaft		47699		681-A/ BR672	BR580/ BR572 ▲SET401	Outer Seal Kit 8 Bolt Holes	31378
15 6.316" Seal O.D.	47692	47697 or 47698 ⁵	47693	598-A/ 592-A ▲SET404	BR580/ BR572 ▲SET401	Inner Seal Kit	1211
7.006" Seal O.D.		47699		681-A/ BR672	BR580/ BR572 ▲SET401	Outer Seal Kit 8 Bolt Holes	31378
16		48884		BR759/ BR752	BR749/ BR752		
17		43860		BR749/ BR742	BR580/ BR572 ▲SET401		
18 3.000" Inner Cone I.D.	40129	40136 or 40139 ⁵		BR575/ BR572			
3.250" Inner Cone I.D.	40129	40136 or 40139 ⁵		BR580/ BR572 ▲SET401			
19		39380		495-AX/ BR493	BR39590/ BR39520 ▲SET408		
20		42800		BR582/ BR572 ▲SET402	BR42687/ BR42620	Inner	42800
21	38776	38780		BR47620/ BR47686	BR39590/ BR39520 ▲SET408	Inner	38774

APPLICATIONS

TRAILER, TAG & PUSHER AXLES

FRONT AXLES

DRIVE AXLES

PINION SEALS

CONMET®

LIGHT TRUCK

Mfr Line Number	Scotseal® PlusXL	Scotseal® Classic	Scotseal® Longlife	Inner (Cone/Cup)	Outer (Cone/Cup)	Grease Seal Location	Grease Seal Number
White (continued)							
22				BR33281/ BR33462	BR39585/ BR39520	Inner	33136
23	38776	38780		BR5760/ BR5735	BR575/ BR572	Inner	38774
24						Outer	19350
						Inner	40108
25						Outer	48726
						Inner	48769
26						Outer	35593
						Inner	36363
27						Outer Seal Kit	
						2.500" Shaft	25160
						Inner	39385
28						Outer	52488
						Inner	56136
29						Axle Shaft	21749
						Inner - 5.004"	
						Seal O.D.	41125
						Inner - 5.756"	
						Seal O.D.	41287
30						Outer	21749
						Inner	43691
31						Outer	48726
						Inner	49966
32						Inner - 98C	
						Series	36363
						Inner - 99C	
						Series	40108
33	38776	38780		BR47686/ BR47620 ▲SET411	BR39590/ BR39520 ▲SET408		
34		47699		BR683/ BR672	BR580/ BR572 ▲SET401		
35	45157	45160		BR594/ 592-A	BR580/ BR572 ▲SET401		
36		48884		BR760/ BR752	BR749/ BR742		

For in-text symbols, see page 6.

Mfr Line Number	Scotseal® PlusXL	Scotseal® Classic	Scotseal® Longlife	Inner (Cone/Cup)	Outer (Cone/Cup)	Grease Seal Location Number
37	47692	47697	47693	594-A/ 592-A ▲SET403	BR580/ BR572 ▲SET401	
38	47692	47697	47693	598-A/ 592-A ▲SET404	BR580/ BR572 ▲SET401	
39		42800		BR582/ BR572 ▲SET402	BR42687/ BR42620	
40		55177* w/455054		BR782/ BR772	BR749/ BR742	

White (continued)

APPLICATIONS

TRAILER, TAG & PUSH AXLES

FRONT AXLES

DRIVE AXLES

PINION SEALS

CONMET®

LIGHT TRUCK

Pinion seals - heavy duty applications

Arvin Meritor/Rockwell

Axle series and location	Application	Part number
C100 Series		
Single rear input	C100	21213
.....	C102 & C103	21379
D Series		
Single rear input	3.061" Seal bore ID.....	21213
.....	3.623" Seal bore ID.....	21379
D4640R Series		
Tandem rear input.....	27642
DD4640 Series		
Tandem front input.....	32502
Tandem front output.....	27565
ELHD & ERLHD Series		
Tandem front input.....	w/o 4.000" seal flange OD	27295
.....	w/4.000" seal flange OD	27558
Tandem front output.....	29288
Tandem rear input.....	27452
EQDD & ERQDD Series		
Tandem front input.....	27565
Tandem front output.....	30055
Tandem rear input.....	29292
EQHD & ERQHD Series		
Tandem front input.....	w/o 4.000" seal flange OD	27295
.....	w/4.000" seal flange OD	27558
Tandem front output.....	29288
Tandem rear input.....	27452
ERDD & ERLDD Series		
Tandem front input.....	27565
Tandem front output.....	30057
ESQHD Series		
Tandem front input.....	w/o 4.000" seal flange OD	27295
.....	w/4.000" seal flange OD	27558
Tandem front output.....	2.938" Yoke OD	29288
.....	3.000" Yoke OD	30057
Tandem rear input.....	27452
ETRDD Series		
Tandem front input.....	30144
Tandem front output.....	30057
F105 & F106 Series		
Single rear input	22619
F140/145/146/149 Series		
Single rear input	22425
H120 Series		
Single rear input	27452

(Continued)

For in-text symbols, see page 6.

Pinion seals - heavy duty applications

Arvin Meritor/Rockwell - cont.

Axle series and location	Application	Part number
H140 Series		
Single rear input	23695
H141 Series		
Single rear input	Seal only	27452
.....	Seal w/retainer	27642
H170 Series		
Single rear input	23678
H172 & H173 Series		
Single rear input	w/o 4.248" seal flange OD	25102
.....	w/4.248" seal flange OD	25106
L100/101/110/155 Series		
Single rear input	27452
L172 & L173		
Single rear input	25106
MS113 Series		
Single rear input	25106
MX120 Series		
Steer axle input.....	32870①
PR/PRM/PS Planetary axle series		
Single rear input	Seal only	27452
.....	Seal w/retainer	27642
P174 Series		
Single rear input	w/o 4.248" seal flange OD	25102
.....	w/4.248" seal flange OD	25106
QT346 Series		
Single rear input	Ford.....	30057
.....	GMC.....	30144
R100/101/110/112/113/114/115/120/140/141/143/164 Series		
Single rear input	Seal only	27452
.....	Seal w/retainer	27642
R170/171/172/173 Series		
Single rear input	4.250" carrier seal bore ID	30057
.....	5.500" carrier seal bore ID	30144
R200 Series		
Single rear input	27601
RDD Series		
Tandem front input.....	32502
Tandem front output.....	27565

(Continued)

APPLICATIONS
 TRAILER, TAG & PUSHER AXLES
 FRONT AXLES
 DRIVE AXLES
 PINION SEALS
 CONMET®
 LIGHT TRUCK

Pinion seals - heavy duty applications

Arvin Meritor/Rockwell - cont.

	Application	Part number
SFDD4640 Series		
Tandem front input.....	3.000" Yoke OD	30055
.....	3.250" Yoke OD	32448
Tandem front output.....	2.750" Yoke OD	27565
.....	3.000" Yoke OD	30055
Tandem rear input.....	27642
SLHD Series		
Tandem front input.....	w/o 4.000" seal flange OD	27295
.....	w/4.000" seal flange OD	27558
Tandem front output.....	29288
Tandem rear input.....	27452
S170 Series		
Single rear input	4.250" carrier seal bore ID	30057
.....	5.500" carrier seal bore ID	30144
SL100 & SLR100 Series		
Tandem front input.....	From 9/83 (unitized seal)	30026 ^③
.....	Thru 8/83 (lip seal).....	30007
Tandem front output.....	From 9/83 (3.780" seal flange OD).....	24964
.....	Thru 8/83.....	24949
Tandem rear input.....	From 9/83 (unitized seal)	29917 ^②
.....	Thru 8/83 (lip seal).....	30153
SP100 Series		
Single rear input	4.250" Carrier seal bore ID	30057
.....	5.500" Carrier seal bore ID	30144
SQHD Series		
Tandem front input.....	w/o 4.000" seal flange OD	27295
.....	w/4.000" seal flange OD	27558
Tandem front output.....	2.938" Yoke OD	29288
.....	3.000" Yoke OD	30057
Tandem rear input.....	27452
SQHP Series		
Tandem front input.....	From 9/83 (unitized seal)	30026 ^③
.....	Thru 8/83 (lip seal).....	30007
Tandem front output.....	From 9/83 (3.780" seal flange OD).....	24964
.....	Thru 8/83.....	24949
Tandem rear input.....	29917 ^②
SQRHD Series		
Tandem rear input.....	27452
SQ100 Series		
Tandem front input.....	From 9/83 (unitized seal)	30026 ^③
.....	Thru 8/83 (lip seal).....	30007
Tandem front output.....	From 9/83 (3.780" seal flange OD).....	24964
.....	Thru 8/83.....	24949
Tandem rear input.....	From 9/83 (unitized seal)	29917 ^②
.....	Thru 8/83 (lip seal).....	30153

(Continued)

For in-text symbols, see page 6.

APPLICATIONS
 TRAILER, TAG & PUSHER AXLES
 FRONT AXLES
 DRIVE AXLES
 PINION SEALS
 CONMET®
 LIGHT TRUCK

Pinion seals - heavy duty applications

Arvin Meritor/Rockwell - cont.

Axle series and location	Application	Part number
SR170 Series		
Tandem front input.....	32410
Tandem front output.....	29961
Tandem rear input.....	30057
SR270 & SR280 Series		
Tandem front input.....	32410
Tandem front output.....	29961
Tandem rear input.....	29961
SRDD Series		
Tandem front input.....	32448
Tandem front output.....	27565
Tandem rear input.....	27642
SSHD Series		
Tandem front input.....	3.000" Yoke OD	30057
.....	3.250" Yoke OD	32410
Tandem front output.....	27558
Tandem rear input.....	27642
STDD Series		
Tandem front input.....	32448
Tandem front output.....	27565
Tandem rear input.....	27642
STHD Series		
Tandem front input.....	3.000" Yoke OD	30057
.....	3.250" Yoke OD	32410
Tandem front output.....	27558
Tandem rear input.....	27642
SUDD Series		
Tandem front input.....	32448
Tandem front output.....	27565
Tandem rear input.....	27601
SU170 Series		
Tandem front input.....	32410
Tandem front output.....	29961
Tandem rear input.....	30057
SU270 & SU280 Series		
Tandem front input.....	32410
Tandem front output.....	29961
Tandem rear input.....	29961
SW170 Series		
Tandem front input.....	32410
Tandem front output.....	29961
Tandem rear input.....	30057

(Continued)

APPLICATIONS

TRAILER, TAG & PUSHER AXLES

FRONT AXLES

DRIVE AXLES

PINION SEALS

CONMET®

LIGHT TRUCK

Pinion seals - heavy duty applications

Arvin Meritor/Rockwell - cont.

Axle series and location	Application	Part number
SW270 & SW280 Series		
Tandem front input.....	32410
Tandem front output.....	29961
Tandem rear input.....	29961
U140 Series		
Single rear input	Seal only	27452
.....	Seal w/retainer	27642
U170 Series		
Single rear input	Ford.....	30057
.....	GMC.....	30144
U240 & U340 Series		
Single rear input	27601
120 Series - RS13-120, RS15-120 & RS15-125		
Single rear input	25106
140 Series - RS16/17-140 & RT40-140 (RD/RR20-140)		
Tandem front input.....	3.000" Yoke OD	30026 ^③
.....	3.250" Yoke OD	32535 ^④
Tandem front output.....	2.500" Yoke OD (lip seal).....	24964
.....	3.000" Yoke OD (unitized seal).....	30026 ^③
Tandem rear or single rear input.	Exc. RS17140.....	29917 ^②
.....	RS17140.....	25106
141 Series - RS16/17-141		
Single rear input	29917 ^②
143 Series - MT40-143 (MD/MP/MR20-143)		
Tandem front input.....	3.000" Yoke OD	30026 ^③
.....	3.250" Yoke OD	32535 ^④
Tandem front output.....	2.500" Yoke OD (lip seal).....	24964
.....	3.000" Yoke OD (unitized seal).....	30026 ^③
Tandem rear input.....	29917 ^②
144 Series - RS17/19-144		
Single rear input	29917 ^②
145 Series - RS17/19/21-145, RT34-145 (RD/RP/RR17-145), RT40-145 (RD/RP/RR20-145 & RT44-145 (RD/RP/RR22-145)		
Driven steer axle input.....	29917 ^②
Tandem front input.....	3.000" Yoke OD	30026 ^③
.....	3.250" Yoke OD	32535 ^④
Tandem front output.....	2.500" Yoke OD (lip seal).....	24964
.....	3.000" Yoke OD (unitized seal).....	30026 ^③
Tandem rear or single rear input.	29917 ^②

(Continued)

For in-text symbols, see page 6.

APPLICATIONS
 TRAILER, TAG & PUSHER AXLES
 FRONT AXLES
 DRIVE AXLES
 PINION SEALS
 CONMET®
 LIGHT TRUCK

Pinion seals - heavy duty applications

Arvin Meritor/Rockwell - cont.

Axle series and location	Application	Part number
155 Series - RF21-155		
Driven steer axle input.....	27642
160 Series - RS21/23/24/25/26-160 & RT40/46/50/52-160 (RD/RP/RR20/23/25/26-160)		
Tandem front input.....	32535④
Tandem front output.....	30026③
Tandem rear or single rear input.....	32870①
161 Series - RS21/23/24/25/26-161		
Single rear input	32870①
164 Series - RT46/50/52-164 (RD/RP/RR23-164)		
Tandem front input.....	32535④
Tandem front output.....	30026③
Tandem rear input.....	32870①
180 & 185 Series - RS23/26/30-180/185 & RT48/52/58-180/185 (RP/RR24/26/29-180/185)		
Tandem front input.....	32535④
Tandem front output.....	29961
Tandem rear or single rear input.....	32870①
210, 220, 224 & 230 Series - RS15/17/19/21/23-210/220/224/230		
Single rear input	25106
240 Series - RS23240		
Single rear input	29917②
256 Series		
Driven steer axle input.....	27642
355 Series		
Driven steer axle input.....	27601
380 Series - RS23/26/30/38-380 & RT48/52/58/70-380 (RP/RR24/26/29/35-380)		
Single rear input	32535④
Tandem front input.....	32535④
Tandem front output.....	29961
Tandem rear input.....	30026③

(Continued)

APPLICATIONS

TRAILER, TAG & PUSH AXLES

FRONT AXLES

DRIVE AXLES

PINION SEALS

CONMET®

LIGHT TRUCK

Pinion seals - heavy duty applications

Dana/Eaton/Spicer

Axle series and location	Application	Part number
DA404/405/454-(P)		
Tandem front input.....	29528
Tandem front output.....	26762
DA344		
Tandem front input.....	29528
Tandem front output.....	26762
DC341/381/401/402/451		
Tandem front input.....	29292
Tandem front output.....	26239
DD404/405/454		
Tandem front input.....	Seal.....	29528
.....	V-Ring.....	401300
Tandem front output.....	26762
DD461/521/581		
Tandem front input.....	33751
Tandem front output.....	29380
DDH40 & DDP40/41		
Tandem front input.....	Seal.....	29528
.....	V-Ring.....	401300
Tandem front output.....	26762
DDS40		
Tandem front input.....	33751
Tandem front output.....	29380
DP340/341/380/381/386/400/401/405/406/451		
Tandem front input.....	29292
Tandem front output.....	26239
DP440/446/460/466/480/485/550/580/650		
Tandem front input.....	33699
Tandem front output.....	29292
DP461/521/601/651		
Tandem front input.....	33751
Tandem front output.....	29380
DSH40, DSP40 & DSP41		
Tandem front input.....	Seal.....	29528
.....	V-Ring.....	401300
Tandem front output.....	26762
DSS40		
Tandem front input.....	33751
Tandem front output.....	29380
DS340/341/380/381/386/400/401/402/405/451		
Tandem front input.....	29292
Tandem front output.....	26239

(Continued)

For in-text symbols, see page 6.

APPLICATIONS
 TRAILER, TAG & PUSH AXLES
 FRONT AXLES
 DRIVE AXLES
 PINION SEALS
 CONMET®
 LIGHT TRUCK

Pinion seals - heavy duty applications

Dana/Eaton/Spicer - *cont.*

Axle series and location	Application	Part number
DS344/404/405		
Tandem front input.....	Seal.....	29528
.....	V-Ring.....	401300
Tandem front output.....	26762
DS440/446/460/466/480		
Tandem front input.....	29292
Tandem front output.....	26239
DS461/521/581		
Tandem front input.....	33751
Tandem front output.....	29380
DT340/341/380/381/386/400/401/402/406/451		
Tandem front input.....	29292
Tandem front output.....	26239
DT440/446/460/466/480/485		
Tandem front input.....	33699
Tandem front output.....	29292
DT461/521/601/681		
Tandem front input.....	33751
Tandem front output.....	29380
G175S/T & G190S		
Single rear input	30100
G340S & G380S		
Tandem front input.....	30007
Tandem front output.....	24988
F155S & F170S		
Single rear input	23751
J175S/190S/210S/220S/230S		
Single rear input	Thru 7/15/91 (lip seal).....	30140
J340S/380S/400S		
Tandem front input.....	30007
Tandem front output.....	29961
Tandem rear input.....	30140
M190T/210T/220T/230T		
Single rear input	30100
N340 & N400		
Tandem front input.....	29967
Tandem front output.....	25005
Tandem rear input.....	30140
RA344/404/405/454		
Tandem rear input.....	29528
RC341/381/401/402/451		
Tandem rear input.....	26378

(Continued)

APPLICATIONS

TRAILER, TAG & PUSH AXLES

FRONT AXLES

DRIVE AXLES

PINION SEALS

CONMET®

LIGHT TRUCK

Pinion seals - heavy duty applications

Dana/Eaton/Spicer - *cont.*

	Axle series and location	Application	Part number
TRAILER, TAG & PUSHER AXLES	RC460 & RC480		
		Tandem rear input.....	29471
	RC461 & RC521		
		Tandem rear input.....	29381
	RD404/405/454		
		Tandem rear input.....	29528
	RD461/521/581		
		Tandem rear input.....	29381
	RDH40		
		Tandem rear input.....	29528
FRONT AXLES	RDP40 & RDP41		
		Tandem rear input.....	29528
	RDS40		
		Tandem rear input.....	29381
	RP340/341/380/381/386/400/401/402/406/451		
		Tandem rear input.....	26378
	RP461/521/601/651		
		Tandem rear input.....	29381
	RP440/446/480/485/550/560/580		
		Tandem rear input.....	29471
DRIVE AXLES	RS340/341/380/381/386/400/401/402/406/451		
		Tandem rear input.....	26378
	RS344/404/405/454		
		Tandem rear input.....	29528
	RS461/521/581		
		Tandem rear input.....	29381
	RS440/446/460/466/480		
		Tandem rear input.....	29471
	RSH40		
		Tandem rear input.....	29528
PINION SEALS	RSP40 & RSP41		
		Tandem rear input.....	29528
	RSS40		
		Tandem rear input.....	29381
	RT340/341/380/381/386/400/401/402/406/451		
		Tandem rear input.....	26378
	RT461/521/601/651		
		Tandem rear input.....	29381
	RT446/460/466/480/485		
		Tandem rear input.....	29471
CONMET®			
LIGHT TRUCK			

(Continued)

For in-text symbols, see page 6.

Pinion seals - heavy duty applications

Dana/Eaton/Spicer - *cont.*

Axle series and location	Application	Part number
S110 & S130		
Single rear input	29528
S135S & S150S		
Single rear input	23751
S230S/SB/SL & 260SB		
Single rear input	35105
S400S		
Tandem front input.....	29967
Tandem front output.....	29961
Tandem rear input.....	30140
SP461 & SP521		
Tandem rear input.....	29381
SP550 & SP580		
Tandem rear input.....	33699
SP601 & SP650		
Tandem rear input.....	29381
TP550 & TP580		
Tandem front input.....	33699
Tandem front output.....	29292
TP601 & TP650		
Tandem front input.....	33751
Tandem front output.....	29292
TP651		
Tandem front input.....	33751
Tandem front output.....	29380
W230S		
Single rear input	Thru 7/15/91 (lip seal).....	30140
W440S & W406S		
Tandem front input.....	30007
Tandem front output.....	29961
Tandem rear input.....	30140
190 & 220 Series 4WD		
Single rear input	29292
Single rear output	26239
230/260/300/350 Series 4WD		
Single rear input	33699
Single rear output	29292
15040P & 15040T		
Single rear input	26358
15040S		
Single rear input	26378

(Continued)

A
P
P
L
I
C
A
T
I
O
N
S

T
R
A
I
L
E
R
,
T
A
G
&
P
U
S
H
E
R
A
X
L
E
S

F
R
O
N
T
A
X
L
E
S

D
R
I
V
E
A
X
L
E
S

P
I
N
I
O
N
S
E
A
L
S

C
O
N
M
E
T[®]

L
I
G
H
T
T
R
U
C
K

Pinion seals - heavy duty applications

Dana/Eaton/Spicer - *cont.*

	Axle series and location	Application	Part number
APPLICATIONS	17201, 17221, 17301 & 17321		
	Single rear input	26378
	18210, 18221, 18301 & 18321		
	Single rear input	26378
TRAILER, TAG & PUSHER AXLES	19050P, 19050S & 19050T		
	Single rear input	26378
	19055D, 19055ST & 19055T		
	Single rear input	26378
FRONT AXLES	19060D, 19060S & 19065S		
	Single rear input	29528
	15201 & 15301		
	Single rear input	22653
DRIVE AXLES	16244 & 16344		
	Single rear input	26378
	17101, 17121, 17401 & 17421		
	Single rear input	26378
PINION SEALS	18101 & 18121		
	Single rear input	26378
	21060D & 21060S		
	Single rear input	29528
CONMET®	21065D, 21065S & 21065T/P		
	Single rear input	26378
	21080D & 21080S		
	Single rear input	29381
LIGHT TRUCK	21121, 21221, 21321 & 21421		
	Single rear input	26378
	22060D & 22060S		
	Single rear input	29528
	22065D, 22065S & 22065T/P		
	Single rear input	26378
	22221, 22321, & 22421		
	Single rear input	26378
	23070, 23080 & 23085 Series		
	Single rear input	29381
	23105C, 23105D & 23105S		
	Single rear input	29381
	23121, 23221, 23321 & 23421		
	Single rear input	29471
	26080D, 26080S & 26085T/P		
	Single rear input	29381

(Continued)

For in-text symbols, see page 6.

Pinion seals - heavy duty applications

Dana/Eaton/Spicer - *cont.*

Axle series and location	Application	Part number
26105C & 26105S		
Single rear input	29381
26121, 26221, 26321 & 26421		
Single rear input	29471
30055P, 30105C & 30105S		
Single rear input	29381
35055P		
Single rear input	29381
35327		
Single rear input	29471

Eaton - see Dana

International Truck/Navistar

FA64/78/81		
Driven steer axle input.....	3.481" Carrier bore ID.....	23755
.....	3.876" Carrier bore ID.....	23806
RA15 & RA20		
Single rear input	2.997" Carrier bore ID.....	19969
.....	3.370" Carrier bore ID.....	20136
RA25/26/30/31/33/34		
Single rear input	3.481" Carrier bore ID.....	23755
.....	3.876" Carrier bore ID.....	23806
RA29		
Single rear input	3.481" Carrier bore ID.....	23755
.....	4.498" Carrier bore ID.....	23751
RA35/38/39/40		
Single rear input	3.481" Carrier bore ID.....	23755
.....	4.498" Carrier bore ID.....	23751
RA42/43/44/46/47/48/56/57		
Single rear input	4.003" Carrier bore ID.....	29961
.....	5.750" Carrier bore ID.....	30140
RA341		
Tandem front input.....	29872
Tandem front output.....	24988
Tandem rear input.....	3.481" Carrier bore ID.....	23755
.....	4.498" Carrier bore ID.....	23751

(Continued)

APPLICATIONS

TRAILER, TAG & PUSH AXLES

FRONT AXLES

DRIVE AXLES

PINION SEALS

CONMET®

LIGHT TRUCK

Pinion seals - heavy duty applications

International Truck/Navistar - *cont.*

Axle series and location	Application	Part number
RA351/355/386/387		
Tandem front input.....	w/o 4.125" seal flange OD	29872
.....	w/4.125" seal flange OD	30007
Tandem front output.....	24988
Tandem rear input.....	4.003" Carrier bore ID.....	29961
.....	5.750" Carrier bore ID.....	30140
RA429 & RA437		
Tandem rear or single rear input.	4.003" Carrier bore ID.....	29961
.....	5.750" Carrier bore ID.....	30140
RA472 & RA474		
Tandem front input.....	30007
Tandem front output.....	29961

Mack

CRD78/93/94		
Tandem rear or single rear input.	CRD78 & 94 w/o 2 speed	27461
.....	CRD78 & 94 w/2 speed	27601
.....	CRD93	27452
CRDLP/CRDPC/CRDPC Series		
Tandem front input.....	34891
Tandem front output.....	27558
RAD/RADF/RADL/RADP Series		
Tandem rear or single rear input.	Exc. 2 Speed	27461
.....	2 Speed	27601

Navistar - see International

Rockwell - see Arvin

Spicer - see Dana

(Continued)

APPLICATIONS
 TRAILER, TAG & PUSH AXLES
 FRONT AXLES
 DRIVE AXLES
 PINION SEALS
 CONMET®
 LIGHT TRUCK

Pinion seals - interchange

Mfr. no.	Part no.	Mfr. no.	Part no.	Mfr. no.	Part no.
Arvin Meritor		Chrysler - cont.		Chrysler - cont.	
A11805S149	27642	701119	15788	52070339AA	17296
A1205A1925	27558	919607	18888	52070339AB	17296
A1205B1328	25146	945710	18888	52070340AA	18852
A1205C1927	29961	992092	15788	52070340AB	18852
A1205D1925	25106	998092	15788	J0307024	15788
A1205D1928	25106	998123	18888	J0639265	15788
A1205E1929	22619	1189732	18159	J0701119	15788
A1205F2424	30007	1738831	18708	J0919607	18888
A1205G1749	27452	1791590	15788	J0945710	18888
A1205G2425	24964	1795192	18888	J0992092	15788
A1205G683	21213	1795508	18888	J0998092	15788
A1205H2426	30153	2067211	15788	J0998123	18888
A1205J1934	27461	2067214	18833	J3153825	18444
A1205K713	30144	2404121	18708	J3183981	18444
A1205K713XP	30144	2453143	18444	J3208474	18444
A1205L714	29288	2512254	18888	J8134810	18891
A1205L960	23678	2852553	18888	K28065	15788
A1205M325	32448	2852848	18888		
A1205N2588	29917	2881041	16805	Dana	
A1205P1914	27642	2931862	18708	14223	15788
A1205P2590	30026	2952467	18888	23385	18708
A1205Q2591	32870	2961188	18891	30277	18888
A1205R2592	32535	2961190	15788	30804	15566
A1205S1527	21379	3153825	18444	32955	18888
A1205S71	22619	3183981	18444	32982	18888
A1205U1737	29292	3208474	18444	34022	18888
A1205U1934	27452	3507585	18888	34027	15788
A1205W1895	30007	3634349	18888	35723	15788
A1205X1896	24964	4112001	18891	35724	18888
A1205Y1897	30153	4137283	18891	35725	18891
A1205Y727	29288	4213202	15788	38426	18891
A1205Z728	27642	4338655	16805	38427	18891
A1805A261	27565	4384188	18896	39118	15788
A1805B80	27452	4746772	15791	39439	18891
A1805J10	32448	4773237	25140	40793	15788
A1805P16	27452	8134810	18891	41455	15791
A1805S149	27601	10112635	15791	42449	18896
A1805S71	22619	52067595	16805	42449	18896
AX1805W465	27452	52067596	18708	43085	18444
	30057	52069700	17259	43504	25140
		52070340	18852	44895	15791
		53002642	18444	46057	21069
		8953002642	18444	46089	18888
		8983503390	15788	46411	25140
		8983504946	18444	47466	17296
		5012813AA	18444	47467	16805
		5012846AB	18706	47496	18888
		5015618AB	24816	47633	18888
		5086789AA	23244		
Chrysler					
28159	15788				
39658	15788				
79036	18708				
200420	15788				
307024	15788				
639265	15788				

A P P L I C A T I O N S
 TRAILER, TAG & PUSH AXLES
 FRONT AXLES
 DRIVE AXLES
 PINION SEALS
 CONMET®
 LIGHT TRUCK

Pinion seals - interchange

Mfr. no.	Part no.	Mfr. no.	Part no.	Mfr. no.	Part no.
Dana - cont.		Eaton - cont.		Ford - cont.	
48761	18159	GGAHH109	30100	E0TZ4676B	18833
48766	18444	MJAHH101	30100	E1TZ4676A	15788
49161	15788	SA64601	26358	E27W4676A2A	18190
50092	15566			E2TW4676AA	18833
50642	15566	Ford		E2TZ4676A	18833
3183981	18444			E3TW4676-3	18190
14223-4	15788	1C2Z4676AA	18741	E3TW4676A	18190
32955-1	18888	1C3Z4676AA	25140	E3TW4676AA	18190
34022-1	18888	2L1Z3N134AA	18190	E3TZ4676A	18190
34027-1	15788	5C3Z4676AA	25026	E3TZ4676B	15502
34027-2	15788	8M4676	15788	E4TZ4676A	15788
34615-2	18888	8M4676A	15788	E5DW4676AA	18190
35723-3	15788	B5A4676A	18888	E5DZ4676A	18190
38427-2	18891	B5D4676A	18888	E5TW4676BA	18024
SKA16333	15788	B5TZ4676A	18888	E5TZ4676A	18024
SKA65765	18888	B6A4676A	15788	E5TZ4676B	18024
Eaton		B8A4676B	18833	E5TZ4676C	18891
42449	18896	C2AW4676A	18833	E7UZ4676A	18896
43504	25140	C2AZ4676A	18833	E87W4676BA	18190
46411	25140	C2AZ4676B	18833	E8TZ4676B	18024
79470	26378	C3AZ4676A	18833	E8TZ4676C	18136
81673	26358	C3VA4676A	18888	E99Z4676A	15791
90623	29471	C4VW4676B	18888	E9TZ4676A	25140
107368	29471	C4VY4676A	18888	ESTW4676BA	18024
119427	26378	C4VY4676C	18888	F0TZ4676A	18159
119429	29292	C6AW4676A	18833	F5TZ4676A	25140
119432	29471	C6TZ4676A	15788	F65Z3N134AA	18190
119459	26358	C6TZ4676B	18888	F81Z4676BA	18871
127591	29528	C7AW4676A	18190	F81Z4676CA	15503
127592	26762	C7AW4676C	18190	F81Z4676DA	18871
127719	29292	C7AZ4676A	18190	F81Z7052AA	15503
127720	26239	C8AW4676A	18833	F89W4676AA	18136
127721	26378	CC2AZ4676B	18833	F89Z4676AA	18136
199431	26239	D0TZ4676A	18891	FOTZ4676A	18159
210724	29381	D0UW4676A	18833	GP4676	15788
210736	33751	D0WW4676A	18833	GP4676A	15788
210737	29380	D1UZ4676A	18833	LF4676A	15788
935735	26358	D4AW4676A	18833	MC4676A	15788
029HH100	23751	D4AZ4676A	18833	TBAF4676A	18888
300HH100	35105	D6AW4676B	18190	WAT4676B	18833
401HH102	33699	D6AW4676E	18190	WAT4676B1	18833
401HH103	25005	D6TZ4676B	18888	WAT4676B2	18833
401HH104	29967	D7TZ4676A	15788	GM	
472HH100	30007	D8BZ4676A	18190	406235	15788
472HH101	29961	D9AW4676AA	18190	426474	15306
GGAHH102	30007	D9AZ4676A	18190	683523	18888
GGAHH103	30140	E0TW4676A	18833	2117057	18159
		E0TW4676A1A	18833		
		E0TZ4676A	18891		

Pinion seals - interchange

Mfr. no.	Part no.	Mfr. no.	Part no.	Mfr. no.	Part no.
GM - cont.		IHC		IHC - cont.	
2235018	15788	105442R91	23755	389406R91	19969
2235019	15788	112185H1	19969	454704C1	20136
2353016	18888	1651279C91	30007	454705C1	23806
2376261	18888	1651280C91	29961	454705C91	23755
2420630	18888	1651281C91	30140	454706C1	23751
2469341	18888	1691142C1	23751	454755C1	23806
3817883	17190	1691143C1	30140	459919R91	19969
3825136	17190	1691143C2	30140	606960R91	19969
3852984	17190	18100D	19969	610712C91	29872
3924031	17190	18384D	23755	73859H	23755
3924031	17190	21472VA	19969	77819H	23755
3940108	18888	21795D	19969	79680H	19969
3977359	21955	227338R91	29872	93517R91	19969
3979613	18888	255281C91	29872	Mack	
3979616	15788	255282C91	29872	11KBA7692	34891
8004673	18159	259854R91	24989	145815306	15306
10046337	15788	264179C91	19969	145815502	15502
10046377	15788	266728R91	19969	145816805	16805
12304975	17190	273570R91	19969	364SZ136	27452
12305252	15788	279495R91	24989	364SZ62	27601
12387291	25140	279495R92	24989	88AX198P2	27452
12471523	17407	279496R91	24989	88AX209	27452
14039587	15306	310526R91	24989	88AX255	27452
14077041	15306	312460C91	23755	88AX346P2	27452
14079450	15788	362399R91	19969	88AX348P2	34891
15634020	25140	362403R91	23755	88AX360P2	27452
26004811	21955	364724R91	19969	88AX360P4	27461
26026792	15315	365416R91	19969	88AX362P2	34891
26064028	21285	365766R91	19969	88AX440P2	34891
26064029	20880	371498C91	29872	88AX456	27558
26064030	23244	389405R91	19969	88AX464	27452
10112635	15791	389405R92	19969	Volvo	
				3520682-0	15788
				80507	15788
				942905	15788
				9143317	15788
				942905-1	15788

A P P L I C A T I O N S
 TRAILER, TAG & PUSHER AXLES
 FRONT AXLES
 DRIVE AXLES
 PINION SEALS
 CONMET®
 LIGHT TRUCK

Pinion seals - specifications size chart

Seal no.	Recommended Speedi-Sleeve	Shaft Bore	Bore	Overall width	O.D.	Flange O.D.	Press fit width	Type & style△
<u>Lip seal</u>								
15306	99152	1.520	2.656	0.425	2.660		0.388	HMSA16
15315	99152	1.524	2.656	0.424	2.660			HMSA16
15502	99155	1.552	2.750	0.590	2.754			CRSA8
15503*	99155	1.552	3.160	0.546	3.165		0.254	HMSHA26
15566	99155	1.552	3.160	0.546	3.165		0.254	HMSHA25
15788	99155	1.552	3.160	0.665	3.165		0.254	CRWA31
15791	99155	1.552	3.160	0.530	3.165			CRSHA8
16805	99168	1.688	2.623	0.531	2.627	3.165		HMSA16
17190	99170	1.739	2.812	0.546	2.816	3.270		HMSA16
17259	99171	1.720	2.921	0.468	2.922			HMSA57
17296	N/A	1.732	2.614	0.394	2.621	3.012		HMSA97
17407	N/A	1.732	2.653	0.375	2.658			HMSASPL
18024	99181	1.813	3.092	0.464	3.096	3.420		HMSA25
18136	99181	1.813	2.776	0.432	2.781			HMSA97
18159	99181	1.813	2.750	0.313	2.754			CRW1
18190	99181	1.813	2.777	0.608	2.781	3.120	0.413	HMSA25
18444	N/A	1.844	2.750	0.315	2.754			CRW1
18472	N/A	1.842	2.748	0.426	2.751			HMSA16
18706	99187	1.875	3.164	0.635	3.165		0.250	CRSHA7
18708	99187	1.875	2.813	0.500	2.817	3.475		HMSA16
18741	N/A	1.875	3.157	0.500	3.162			HMSA57
18833	99181	1.813	3.001	0.563	3.006	3.313	0.453	HMSA25
18852	99189	1.893	2.811	0.468	2.816			HMSA97
18871**	N/A	1.890	3.160	0.620	3.165			CRSHA32
18888	99187	1.875	3.160	0.530	3.165		0.254	CRWA32
18891	99187	1.875	3.160	0.770	3.165		0.254	CRWA31
18896	99187	1.875	3.160	0.250	3.165			CRSA8
19273	99193	1.938	2.762	0.500	2.766			CRSA1
19277	99193	1.938	2.813	0.500	2.817	3.030	0.428	HMSA23
19314	99193	1.940	2.909	0.516	2.914	3.583	0.370	CRSA6
19428	99193	1.940	2.900	0.421	2.910	3.095	0.400	HMSA16
19969	99199	2.000	2.997	0.375	3.001			CRWH1
20136	99199	2.000	3.370	1.039	3.376	3.800	0.358	CRSA4
20880	N/A	2.088	2.911	0.500	2.915	3.309		HMSA97
21069	99212	2.125	2.763	0.256	2.767			CRW1
21213	99212	2.125	3.061	0.500	3.066			CRWHA1

(Continued)

All dimensions in inches

* Includes 15545 seal & 400400 V ring

N/A = Not applicable

** Includes 18875 seal & 400500 V ring

△See line construction drawings on pg. 251

Pinion seals - specifications size chart

Seal no.	Recommended Speedi-Sleeve	Shaft Bore	Bore	Overall width	O.D.	Flange O.D.	Press fit width	Type & style△
<u>Lip seal</u>								
15306	99152	1.520	2.656	0.425	2.660		0.388	HMSA16
15315	99152	1.524	2.656	0.424	2.660			HMSA16
15502	99155	1.552	2.750	0.590	2.754			CRSA8
15503*	99155	1.552	3.160	0.546	3.165		0.254	HMSHA26
15566	99155	1.552	3.160	0.546	3.165		0.254	HMSHA25
15788	99155	1.552	3.160	0.665	3.165		0.254	CRWA31
15791	99155	1.552	3.160	0.530	3.165			CRSHA8
16805	99168	1.688	2.623	0.531	2.627	3.165		HMSA16
17190	99170	1.739	2.812	0.546	2.816	3.270		HMSA16
17259	99171	1.720	2.921	0.468	2.922			HMSA57
17296	N/A	1.732	2.614	0.394	2.621	3.012		HMSA97
17407	N/A	1.732	2.653	0.375	2.658			HMSASPL
18024	99181	1.813	3.092	0.464	3.096	3.420		HMSA25
18136	99181	1.813	2.776	0.432	2.781			HMSA97
18159	99181	1.813	2.750	0.313	2.754			CRW1
18190	99181	1.813	2.777	0.608	2.781	3.120	0.413	HMSA25
18444	N/A	1.844	2.750	0.315	2.754			CRW1
18472	N/A	1.842	2.748	0.426	2.751			HMSA16
18706	99187	1.875	3.164	0.635	3.165		0.250	CRSHA7
18708	99187	1.875	2.813	0.500	2.817	3.475		HMSA16
18741	N/A	1.875	3.157	0.500	3.162			HMSA57
18833	99181	1.813	3.001	0.563	3.006	3.313	0.453	HMSA25
18852	99189	1.893	2.811	0.468	2.816			HMSA97
18871**	N/A	1.890	3.160	0.620	3.165			CRSHA32
18888	99187	1.875	3.160	0.530	3.165		0.254	CRWA32
18891	99187	1.875	3.160	0.770	3.165		0.254	CRWA31
18896	99187	1.875	3.160	0.250	3.165			CRSA8
19273	99193	1.938	2.762	0.500	2.766			CRSA1
19277	99193	1.938	2.813	0.500	2.817	3.030	0.428	HMSA23
19314	99193	1.940	2.909	0.516	2.914	3.583	0.370	CRSA6
19428	99193	1.940	2.900	0.421	2.910	3.095	0.400	HMSA16
19969	99199	2.000	2.997	0.375	3.001			CRWH1
20136	99199	2.000	3.370	1.039	3.376	3.800	0.358	CRSA4
20880	N/A	2.088	2.911	0.500	2.915	3.309		HMSA97
21069	99212	2.125	2.763	0.256	2.767			CRW1
21213	99212	2.125	3.061	0.500	3.066			CRWHA1

(Continued)

All dimensions in inches

* Includes 15545 seal & 400400 V ring

N/A = Not applicable

** Includes 18875 seal & 400500 V ring

△See line construction drawings on pg. 251

Pinion seals - specifications size chart

Seal no.	Recommended Speedi-Sleeve	Shaft Bore	Overall width	O.D.	Flange O.D.	Press fit width	Type & style [△]	
<u>Lip seal - continued</u>								
29471	99293	2.938	4.938	1.375	4.943	5.375	0.500	CRWA3
29528	N/A	2.935	4.557	1.000	4.562	4.996	0.406	HMSA97
29872	N/A	3.000	3.751	0.436	3.756			CRWHA1
29961	N/A	3.000	4.003	0.618	4.008	4.372	0.312	HMSA25
29967	N/A	3.000	4.003	0.618	4.008	4.372	0.312	HMSA25
30007	N/A	3.000	3.751	0.628	3.756	4.125	0.452	HMSA25
30057	N/A	3.000	4.249	0.628	4.254	4.637	0.438	HMSA25
30100	N/A	3.000	4.501	0.678	4.506	4.764	0.383	HMSA25
30140	N/A	3.000	5.750	0.982	5.756	6.063	0.413	HMSA25
30144	N/A	3.000	5.501	1.375	5.506			CRWHA6
30153	N/A	3.000	4.936	0.807	4.943	5.690	0.438	HMSA25
32410	99325	3.250	4.249	0.670	4.254			HMSA26
32448	99325	3.250	4.500	0.438	4.505			CRWA1
32502	99325	3.250	4.501	0.438	4.506			CRWHA1
33699	99337	3.375	4.376	0.375	4.381			CRWA1
33751	99337	3.375	4.685	0.807	4.690	4.687	0.443	HMSA97
34891	99350	3.500	4.501	0.438	4.506			CRWHA1
35105	99372	3.500	5.750	0.798	5.756	6.063	0.413	HMSA25
37410	99372	3.750	4.751	0.500	4.756			HMSA24
<u>Unitized</u>								
29917	N/A	3.000	4.936	4.941				UNITIZED
30026	N/A	3.002	3.751	3.756				UNITIZED
32535	N/A	3.250	4.249	4.253				UNITIZED
32870	N/A	3.250	5.501	5.507				UNITIZED

All dimensions in inches

* Includes 15545 seal & 400400 V ring

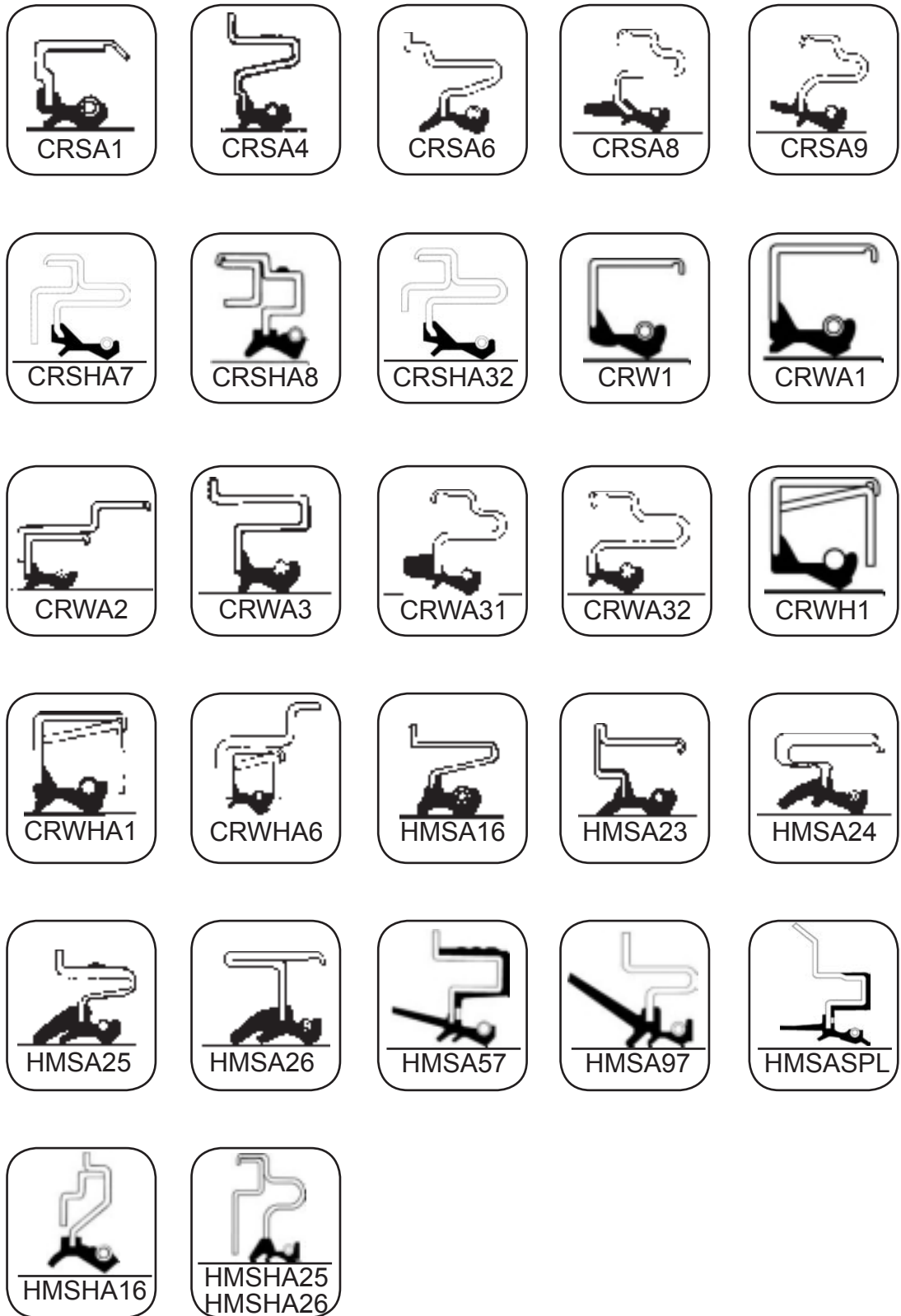
N/A = Not applicable

** Includes 18875 seal & 400500 V ring

△See line construction drawings on pg. 251

APPLICABILITY
 TRAILER, TAG & PUSH AXLES
 FRONT AXLES
 DRIVE AXLES
 PINION SEALS
 CONMET®
 LIGHT TRUCK

Pinion seals - construction drawings



SKF rebuild kits for PreSet® hub assemblies

Service parts are applicable for PreSet hubs and other hubs manufactured by ConMet® with pre-adjusted bearings using a bearing spacer, and installed on axles with an SAE spindle designation of FF, FL on front steer applications, R Drive short and long barrel for drive axles, and N and P for trailer axles.

Front steer axles

FF front steer axle

Complete rebuild kit **FFSK1**

Includes Scotseal® *PlusXL*, inner & outer half stand bearing set, hubcap and spacer (spacer not sold separately).
Contains:

Scotseal <i>PlusXL</i>	35058
Inner half stand bearing set	SET427
Outer half stand bearing set.....	SET428
Scotseal TF® oilbath hubcap.....	1612

FL front steer axle

Complete rebuild kit **N/A**

Scotseal <i>PlusXL</i>	43761
Inner half stand bearing set	N/A
Outer half stand bearing set.....	N/A
Scotseal TF® oilbath hubcap.....	1644

Drive axles

R drive axle long and short barrel

Complete rebuild kit (low profile seal) **RDSK1**

Includes Scotseal *PlusXL*, inner & outer half stand bearing set and spacer (spacer not sold separately).
Contains:

Scotseal <i>PlusXL</i>	47691
Inner half stand bearing set	SET429
Outer half stand bearing set.....	SET430

Complete rebuild kit (standard profile seal) **RDSK2**

Includes Scotseal *PlusXL*, inner & outer half stand bearing set and spacer (spacer not sold separately).
Contains:

Scotseal <i>PlusXL</i>	47692
Inner half stand bearing set	SET429
Outer half stand bearing set.....	SET430

APPLICATIONS
 TRAILER, TAG & PUSH AXLES
 FRONT AXLES
 DRIVE AXLES
 PINION SEALS
 CONMET®
 LIGHT TRUCK

SKF rebuild kits for PreSet® hub assemblies - (cont.)

Trailer axles

TN trailer axle

Complete rebuild kit (oil bath) TNSK1

Includes Scotseal® *PlusXL*, inner & outer half stand bearing set, oil bath hubcap and spacer (spacer not sold separately).

Contains:

Scotseal <i>PlusXL</i>	46300
Inner half stand bearing set	SET431
Outer half stand bearing set.....	SET427
Scotseal TF oilbath hubcap	1643

Complete rebuild kit (grease) TNSK2

Includes Scotseal *PlusXL*, inner & outer half stand bearing set, grease hubcap and spacer (spacer not sold separately).

Contains:

Scotseal <i>PlusXL</i>	46300
Inner half stand bearing set	SET431
Outer half stand bearing set.....	SET427
Scotseal TP grease hubcap	1343

TP trailer axle

Complete rebuild kit (oil bath) TPSK1

Includes Scotseal *PlusXL*, inner & outer half stand bearing set, oil bath hubcap and spacer (spacer not sold separately).

Contains:

Scotseal <i>PlusXL</i>	42627
Inner half stand bearing set	SET432
Outer half stand bearing set.....	SET432
Scotseal TF oilbath hubcap	1696

Complete rebuild kit (grease) TPSK2

Includes Scotseal *PlusXL*, inner & outer half stand bearing set, grease hubcap and spacer (spacer not sold separately).

Contains:

Scotseal <i>PlusXL</i>	42627
Inner half stand bearing set	SET432
Outer half stand bearing set.....	SET432
Scotseal TP grease hubcap	1399

APPLICATIONS

TRAILER, TAG & PUSHER AXLES

FRONT AXLES

DRIVE AXLES

PINION SEALS

CONMET®

LIGHT TRUCK

Manufacturer to model index

Acura Truck

MDX, SLX 257

AM General

Hummer, Hummer H1 257

Audi Truck

..... 257

Buick Truck

Rainier 257

Rendezvous 258

Terraza 258

Cadillac Truck

Escalade 258

SRX 258

Chevrolet/GMC Truck

Astro / Safari, Colorado / Canyon, LUV,
Envoy, S10 Blazer / S15 Jimmy,
S10 / S15, Sonoma, SSR, Trailblazer... 259

LLV 262

Caballero, Sprint 262

Equinox 263

Tracker (From 1998) 263

Full Size Vans, Beauville, Caravan,
Chevy Van, Express / Savana, Gaucho,
GMC Van, Gypsy, 1/2 Ton Van, G10,
G15, G1500, 3/4 Ton Van, G20, G25,
G2500, 1 Ton Van, G30, G3500..... 263

1/2 Ton, 1500 (C Series),
1500 (K Series), 1500 (R Series),
1500 (V Series), Avalanche,
Blazer / Jimmy, K5 Blazer / K5 Jimmy,
Silverado / Sierra, Suburban (1/2 Ton),
Tahoe / Yukon, C10 / C15, D10 / D15,
K10 / K15 266

3/4 Ton, 2500 (C Series),
2500 (K Series), 2500 (R Series),
2500 (V Series), Avalanche, Silverado /
Sierra, Suburban / Yukon XL, C20 /
C25, K20 / K25, P20 / P25..... 270

1 Ton, 3500 (C Series),
3500 (K Series), 3500 (R Series),
3500 (V Series), C30 / C35,
D30 / D35, K30 / K35, P30 / P35,
Silverado / Sierra 273

Tiltmaster / Transmode,
Topkick / Kodiak, 1 1/2 Ton, 2 Ton,
2 1/2 Ton, W Series, 40 Series /
4500 Series, 50 Series / 5500 Series,
60 Series / 6500 Series, 70 Series /
7500 Series..... 276

Chrysler Truck

Aspen 291

Dodge Truck

D-50 Pickup, Power Ram 50, Raider,
Ram 50 291

Full Size Vans, 1/2 Ton Van, A100,
B100, B150, B1500, 3/4 Ton Van,
B200, B250, B2500, 1 Ton Van,
B300, B350, B3500, Ram Van,
Ram Wagon, Sprinter..... 292

1/2 Ton, AD150, AW150, D100, D150,
P100, P150, W100, W150, R1500,
Dakota, Durango, Nitro, Ramcharger,
Ram Chassis..... 295

3/4 Ton, D200, D250, P200, P250,
W200, W250, R2500..... 299

1 Ton, D300, D350, M300, M350,
P300, P350, W300, W350, R3500..... 303

1 1/2 Ton, 2 Ton, 400 Series, 500 Series .. 306
Aerostar, Bronco II, Excursion,
Expedition, Explorer, Explorer Sport,
Explorer Sport Trac, Ranger 308

Ford Truck

Bronco 311

Courier 312

Full Size Vans, Econoline, 1/2 Ton Van,
E100, E150, 3/4 Ton Van, E200,
E250, 1 Ton Van, E300, E350, E450,
E550, E(Super Duty)..... 313

Escape 316

1/2 Ton, F100, F150, P100, F1 Series 316

3/4 Ton, F250, F250(Super Duty),
F2 Series..... 319

1 Ton, F350, F350(Super Duty), P350,
F3 Series, P3 Series, F53, F59,
Super Duty 322

1 1/2 Ton, 2 1/2 Ton, 400 Series,
450 Series, F450, F450(Super Duty),
500 Series, 550 Series,
F550(Super Duty), 600 Series,
700 Series, 800 Series..... 325

Fuso Truck

..... 332

Hino Truck

..... 332

Honda Truck

CR-V, Element, Passport,
Pilot, Ridgeline 332

Manufacturer to model index - (cont.)

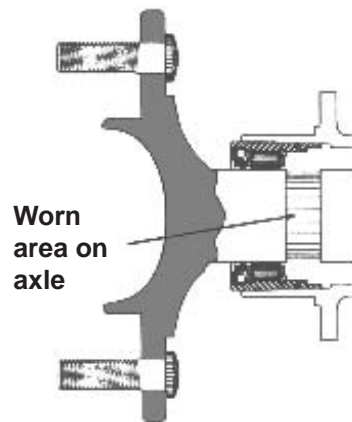
IHC Light Truck	Toyota Truck 355
Scout, Scout II..... 333	
Hummer	Volvo Truck
H1, H2, H3 333	XC70, XC90 358
Metro, 1/2 Thru 1 1/2 Ton Models 334	
Pickup, Travelall, M.H.C., 1/2 Thru 1 1/2 Ton Models 336	
Infiniti Truck	
FX35, FX45, QX4, QX56..... 339	
Isuzu Truck	
Amigo, Ascender, Axiom, Hombre, Oasis, Pickup, Rodeo, Trooper, Trooper II, Vehicross 339	
EVR, FSR, FTR, FVR, NNR, NRR..... 342	
Iveco Truck 342	
Lada Trucks (Canadian Models)	
Niva 343	
Lexus Truck 343	
Lincoln Truck	
EVR, FSR, FTR, FVR, NNR, NRR..... 343	
Blackwood..... 344	
Mark LT 344	
Navigator 344	
Mazda Truck	
Mercury Truck	
Mariner 346	
Mercury Truck	
Mountaineer 347	
Mitsubishi Truck 347	
Nissan Truck 349	
Oldsmobile Truck	
Bravada 351	
Plymouth Truck	
Arrow Pickup 352	
Trailduster 352	
Pontiac Truck	
Aztek 353	
Voyager 353	
Torrent 354	
Studebaker Light Truck 354	

Axle repair bearing assembly



Certain rear wheel bearings use the axle as an inner race; that is the bearing rollers ride directly on the axle shaft itself. The rollers can wear a groove into the axle. Until now the only solution has been to replace the axle itself, a costly approach to repairing the vehicle. Worn axles can be reused now if you install our axle bearing repair assembly.

Simply install the new axle bearing repair assembly in the wheel hub. The rollers and seal of the new bearing repair assembly will now rotate on an unworn portion of the axle. The axle bearing repair assembly replaces both the bearing and the conventional seal requiring no additional parts. The repair bearing is manufactured in two styles. The most common style is a single sealed repair bearing that receives its lubrication from the differential. The second style is a double sealed repair bearing. This bearing is prelubed for the life of the bearing and needs no differential fluid to maintain operation.



Just six part numbers R1559, R1561-F, R1561-G, R1563, R57509 and R59047 cover the most popular Chrysler, Ford and GM axles. Each repair bearing assembly comes ready to install for fast and reliable service.

For your convenience the bearing assembly is listed in the application section of this catalog. Merely look up the vehicle in question and both the conventional seal and bearing and the axle bearing repair assembly are listed where available.

Remember to always check the axle tube housing depth prior to installation. Check this depth against the width of the repair bearing.

ACURA TRUCK MDX, SLX

MFG./YEAR	MODEL & LOCATION	PART NO.	MFG./YEAR	MODEL & LOCATION	PART NO.
WHEEL FRONT (4 W/D)			PINION		
2006-2003 MDX:			FRONT AXLE		
	Sealed Bearing	FW207	2004-2003 MDX:		
2002-2001 MDX:			Seal		
	Sealed Bearing	FW147	(Speedi-Sleeve)		
1999-1996 SLX:			2002-2001 MDX:		
	Seal	23278	Seal		
	Bearing (Inner)	32009-XJA	(Speedi-Sleeve)		
	Bearing (Outer)	32008-X	1999-1996 SLX:		
AXLE SHAFT			Seal		
1999-1996 SLX:			Bearing (Front)		
	Seal	12187	Bearing (Rear)		
	Bearing	6006-RSNRJ	REAR AXLE		
WHEEL REAR			1999-1996 SLX:		
2006-2003 MDX:			Bearing (Front)		
	Sealed Bearing	GRW280	323/32-C		
2002-2001 MDX:					
	Sealed Bearing	FW145			
1999-1996 SLX:					
	Seal	18671			
	Sealed Bearing w/Lock Ring	GRW155-R			

AM GENERAL HUMMER, HUMMER H1

WHEEL FRONT			PINION		
2001-1980 All:			FRONT AXLE		
	Seal	35116	2001-1980 All:		
	Bearing (Inner)	BR3490/BR3420	Seal		
	Bearing (Outer)	BR3780/BR3720	Bearing (Inner)		
WHEEL REAR			Bearing (Outer)		
2001-1980 All:			(Set Components)		
	Seal	35116	REAR AXLE		
	Bearing (Inner)	BR3490/BR3420	2001-1980 All:		
	Bearing (Outer)	BR3780/BR3720	Seal		
			Bearing (Inner)		
			Bearing (Outer)		
			(Set Components)		

AUDI TRUCK

WHEEL FRONT	
2007 All:	
Bearing	FW33
WHEEL REAR	
2007 All:	
Bearing	FW33

BUICK TRUCK RAINIER

WHEEL FRONT	
2007-2004 All:	
Hub Assembly	◇ BR930397
(Superseded by:)	BR930470
WHEEL REAR	
2007-2004 All:	
Seal	16146
Bearing	DK59047
(Axle Repair Brg. Assy.)	• R59047

APPLICATIONS

TRAILER, TAG & PUSH AXLES

FRONT AXLES

DRIVE AXLES

PINION SEALS

CONMET®

LIGHT TRUCK

• See page 256.

For all other in-text symbols, see page 6.

APPLICATIONS
 TRAILER, TAG & PUSHER AXLES
 FRONT AXLES
 DRIVE AXLES
 PINION SEALS
 CONMET®
 LIGHT TRUCK

BUICK TRUCK RENDEZVOUS

MFG./YEAR	MODEL & LOCATION	PART NO.	MFG./YEAR	MODEL & LOCATION	PART NO.
WHEEL FRONT			WHEEL REAR (Cont.)		
2007-2003	ABS & A.W.D.:		2007-2002	A.W.D.:	
	Hub Assembly (Kit)	BR930548K		Hub Assembly (Kit)	BR930548K
2007-2003	w/o ABS & A.W.D.:		2007-2002	w/o ABS & A.W.D.:	
	Hub Assembly	◇ BR930472		Hub Assembly	BR930312
	(Superseded by:)	BR930184			
2002	All:				
	Hub Assembly (Kit)	BR930548K			
WHEEL REAR					
2007-2002	ABS w/o A.W.D.:				
	Hub Assembly	BR930298			

BUICK TRUCK TERRAZA

WHEEL FRONT		
2005	All:	
	Hub Assembly (Kit)	BR930548K
WHEEL REAR		
2005	A.W.D.:	
	Hub Assembly (Kit)	BR930548K
2005	w/o A.W.D. & Special Suspension:	
	Hub Assembly	BR930075

CADILLAC TRUCK ESCALADE

<table border="1" style="width: 100%; border-collapse: collapse;"> <tr> <td colspan="2">WHEEL FRONT (2 W/D)</td> </tr> <tr> <td>2006-2002</td> <td>All:</td> </tr> <tr> <td></td> <td>Hub Assembly</td> </tr> <tr> <td></td> <td>BR930417</td> </tr> <tr> <td colspan="2">WHEEL FRONT (A.W.D.)</td> </tr> <tr> <td>2006-2002</td> <td>All:</td> </tr> <tr> <td></td> <td>Seal</td> </tr> <tr> <td></td> <td>30772</td> </tr> <tr> <td></td> <td>Hub Assembly</td> </tr> <tr> <td></td> <td>BR930304</td> </tr> <tr> <td colspan="2">AXLE SHAFT</td> </tr> <tr> <td>2006-2002</td> <td>All:</td> </tr> <tr> <td></td> <td>Seal</td> </tr> <tr> <td></td> <td>12587</td> </tr> <tr> <td></td> <td>Bearing</td> </tr> <tr> <td></td> <td>B2010</td> </tr> <tr> <td colspan="2">WHEEL REAR</td> </tr> <tr> <td>2006-2002</td> <td>All:</td> </tr> <tr> <td></td> <td>Seal</td> </tr> <tr> <td></td> <td>16146</td> </tr> <tr> <td></td> <td>Bearing</td> </tr> <tr> <td></td> <td>DK59047</td> </tr> <tr> <td></td> <td>(Axle Repair Brg. Assy.)</td> </tr> <tr> <td></td> <td>• R59047</td> </tr> </table>	WHEEL FRONT (2 W/D)		2006-2002	All:		Hub Assembly		BR930417	WHEEL FRONT (A.W.D.)		2006-2002	All:		Seal		30772		Hub Assembly		BR930304	AXLE SHAFT		2006-2002	All:		Seal		12587		Bearing		B2010	WHEEL REAR		2006-2002	All:		Seal		16146		Bearing		DK59047		(Axle Repair Brg. Assy.)		• R59047	<table border="1" style="width: 100%; border-collapse: collapse;"> <tr> <td colspan="2">WHEEL REAR (Cont.)</td> </tr> <tr> <td>2000-1999</td> <td>All:</td> </tr> <tr> <td></td> <td>Seal</td> </tr> <tr> <td></td> <td>16146</td> </tr> <tr> <td></td> <td>Bearing</td> </tr> <tr> <td></td> <td>DK59047</td> </tr> <tr> <td></td> <td>(Axle Repair Brg. Assy.)</td> </tr> <tr> <td></td> <td>• R59047</td> </tr> <tr> <td colspan="2">PINION REAR AXLE</td> </tr> <tr> <td>2005</td> <td>All:</td> </tr> <tr> <td></td> <td>Seal</td> </tr> <tr> <td></td> <td>20880</td> </tr> </table>	WHEEL REAR (Cont.)		2000-1999	All:		Seal		16146		Bearing		DK59047		(Axle Repair Brg. Assy.)		• R59047	PINION REAR AXLE		2005	All:		Seal		20880
WHEEL FRONT (2 W/D)																																																																									
2006-2002	All:																																																																								
	Hub Assembly																																																																								
	BR930417																																																																								
WHEEL FRONT (A.W.D.)																																																																									
2006-2002	All:																																																																								
	Seal																																																																								
	30772																																																																								
	Hub Assembly																																																																								
	BR930304																																																																								
AXLE SHAFT																																																																									
2006-2002	All:																																																																								
	Seal																																																																								
	12587																																																																								
	Bearing																																																																								
	B2010																																																																								
WHEEL REAR																																																																									
2006-2002	All:																																																																								
	Seal																																																																								
	16146																																																																								
	Bearing																																																																								
	DK59047																																																																								
	(Axle Repair Brg. Assy.)																																																																								
	• R59047																																																																								
WHEEL REAR (Cont.)																																																																									
2000-1999	All:																																																																								
	Seal																																																																								
	16146																																																																								
	Bearing																																																																								
	DK59047																																																																								
	(Axle Repair Brg. Assy.)																																																																								
	• R59047																																																																								
PINION REAR AXLE																																																																									
2005	All:																																																																								
	Seal																																																																								
	20880																																																																								

CADILLAC TRUCK SRX

WHEEL FRONT (2 W/D)		
2007-2004	ABS:	
	Hub Assembly	BR930313
2007-2004	w/o ABS:	
	Hub Assembly	BR930363
WHEEL FRONT (A.W.D.)		
2006-2004	All:	
	Hub Assembly	BR930363
WHEEL REAR		
2007-2004	All:	
	Hub Assembly	BR930458

• See page 256.

For all other in-text symbols, see page 6.

CHEVROLET/GMC TRUCK ASTRO/SAFARI, COLORADO/CANYON, LUV, ENVOY, S10 BLAZER/S15 JIMMY, S10/S15, SONOMA, SSR, TRAILBLAZER

MFG./YEAR	MODEL & LOCATION	PART NO.	MFG./YEAR	MODEL & LOCATION	PART NO.
WHEEL FRONT (2 W/D)			WHEEL FRONT (4 W/D) (Cont.)		
2006-2002	Envoy, SSR & Trailblazer:		1982	Luv:	
	Hub Assembly ◇	BR930397		Seal	21064
	(Superseded by:)	BR930470		Bearing (Inner)	32008-X
2005-2003	Astro & Safari:			Bearing (Outer)	BR32007
	Seal	19984	1981-1979	Luv:	
	Hub Assembly	BR930307		Seal	19630
2005-2003	Blazer & Jimmy w/(Z87):			Bearing (Inner)	32008-X
	Hub Assembly	BR930497		Bearing (Outer)	BR32007
2005-2003	Blazer & Jimmy w/(ZR2):		AXLE SHAFT		
	Hub Assembly	BR930097	2005-2002	Envoy & Trailblazer:	
2003-1998	S Series Pickup:			Seal (Inner)	12587
	Seal	19984		Bearing (Inner)	B2010
	Bearing (Inner)	BR6		Bearing (Outer)	HK4012
	(Set Components)	LM67048/LM67010	2005-1997	S Series:	
	Bearing (Outer)	BR34		Bearing (Inner)	B2010
	(Set Components)	LM12748/LM12710		Bearing (Outer)	HK4012
2002-1998	Blazer & Jimmy:		1996	S Series:	
	Hub Assembly	BR930497		Seal	12494
2002-1985	Astro & Safari w/o ABS:			Bearing (Inner)	BH78
	Seal	19984		Bearing (Outer)	M86649/M86610
	Bearing (Inner)	BR6	1995	S Series:	
	(Set Components)	LM67048/LM67010		Seal	12494
	Bearing (Outer)	BR3		Bearing (Inner) Needle	BH78
	(Set Components)	M12649/M12610		Bearing (Inner)	M86649/M86610
2002-1985	Astro & Safari w/ABS:			Bearing (Outer)	B2010
	Seal	19784	1994	S Series:	
	Bearing (Inner)	BR6		Seal	12494
	(Set Components)	LM67048/LM67010		Bearing	[2] B2010
	Bearing (Outer)	BR3	1993-1983	S Series Exc. Syclone & Typhoon Pkg.:	
	(Set Components)	M12649/M12610		Seal	12494
1997-1982	S Series:			Bearing (Inner)	BH78
	Seal	19984		Bearing (Outer)	B2010
	Bearing (Inner)	BR6	1982-1981	Luv 2nd Design:	
	(Set Components)	LM67048/LM67010		Seal	22005
	Bearing (Outer)	BR34	SPINDLE HUB		
	(Set Components)	LM12748/LM12710	1982-1981	Luv From Ser. 8246066:	
1982-1972	Luv:			Bearing Assembly	HK2816
	Seal	18962	1981-1979	Luv From Ser. 8242722 Thru Ser. 8246065:	
	Bearing (Inner)	BR32206		Seal	18959
	Bearing (Outer)	BR32304		Bearing Assembly	HK2816
WHEEL FRONT (4 W/D)			1979	Luv Thru Ser. 8242721:	
2006-2002	Envoy & Trailblazer:			Seal	18984
	Hub Assembly	◇ BR930397		Bearing Assembly	HK2816
	(Superseded by:)	BR930470	WHEEL FRONT (A.W.D.)		
2005-1998	Blazer, Jimmy, S10 Pickup & Sonoma:		2002-1995	Astro & Safari:	
	Seal	21961		Seal	30772
	Hub Assembly	BR930097		Hub Assembly	BR930209
2000-1998	Envoy:		AXLE SHAFT		
	Seal	21961	2003-1997	Astro & Safari:	
	Hub Assembly	BR930097		Bearing	[2] HK4012
1997-1994	S Series:		1996-1990	Astro & Safari:	
	Seal	21961		Seal	12494
	Hub Assembly	BR930064		Bearing (Outer)	B2010
1993-1991	S Series w/ABS:				(Continued)
	Seal	21961			
	Hub Assembly	BR930064			
1993-1983	S Series w/o ABS:				
	Seal	21961			
	Hub Assembly (Kit)	BR930052K			

APPLICATIONS
 TRAILER, TAG & PUSH AXLES
 FRONT AXLES
 DRIVE AXLES
 PINION SEALS
 CONMET®
 LIGHT TRUCK

• See page 256.

For all other in-text symbols, see page 6.

CHEVROLET/GMC TRUCK ASTRO/SAFARI, COLORADO/CANYON, LUV, ENVOY, S10 BLAZER/S15 JIMMY, S10/S15, SONOMA, SSR, TRAILBLAZER -- (Cont.)

MFG./YEAR	MODEL & LOCATION	PART NO.
WHEEL REAR		
2007-2002	Blazer, Canyon, Colorado, Envoy, Jimmy, SSR & Trailblazer:	
	Seal	16146
	Bearing	DK59047
	(Axle Repair Brg. Assy.)	• R59047
2005-2003	Astro & Safari:	
	Seal	16146
	Bearing	DK59047
	(Axle Repair Brg. Assy.)	• R59047
2004-2000	S Series Pickup w/8.50" Ring Gear & High Wider (ZR2):	
	Seal	16044
	Bearing	R1559-TV
	(Axle Repair Brg. Assy.)	• R1559
2004-2000	S Series Pickup w/8.50 Ring Gear w/o Limited Slip Axle & High Wider (ZR2):	
	Seal	16146
	Bearing	DK59047
	(Axle Repair Brg. Assy.)	• R59047
2004-2000	S Series Pickup w/8.50 Ring Gear & Limited Slip Axle Exc. High Wider (ZR2):	
	Seal	16146
	Bearing	DK59047
	(Axle Repair Brg. Assy.)	• R59047
2004-1999	S Series Pickup w/7.625" Ring Gear & Stamping Code (K):	
	Seal	13992
	Bearing	R1563-TAV
	(Axle Repair Brg. Assy.)	• R1563
2004-1999	S Series Pickup w/7.625" Ring Gear & Stamping Code (C):	
	Seal	14002
	Bearing	R1563-TAV
	(Axle Repair Brg. Assy.)	• R1563
2002-1990	Astro & Safari:	
	Seal	14393
	Bearing	DK57509
	(Axle Repair Brg. Assy.)	• R57509
2001-2000	Blazer & Jimmy U.S. Production:	
	Seal	14002
	Bearing	R1563-TAV
	(Axle Repair Brg. Assy.)	• R1563
2001-2000	Blazer & Jimmy Canada Production:	
	Seal	13992
	Bearing	R1563-TAV
	(Axle Repair Brg. Assy.)	• R1563
1999	S Series Pickup w/8.50" Ring Gear w/o High Wider (ZR2):	
	Seal	16044
	Bearing (.70" Width)	R1563-TAV
	(Axle Repair Brg. Assy. .70" Wd.)	• R1563
	Bearing (1.024" Width)	DK59047
	(Axle Repair Brg. Assy. 1.024" Wd.)	• R59047
1999	Blazer & Jimmy 2 Door w/8.50" Ring Gear w/o High Wider (ZR2):	
	Seal	16146
	Bearing	DK59047
	(Axle Repair Brg. Assy.)	• R59047

MFG./YEAR	MODEL & LOCATION	PART NO.
WHEEL REAR (Cont.)		
1999	Blazer, Envoy & Jimmy 4 Door w/7.625" Ring Gear:	
	Seal	14002
	Bearing	DK57509
	(Axle Repair Brg. Assy.)	• R57509
1999-1995	S Series w/8.50" Ring Gear, High Wider (ZR2) & .830" Wide Brg.:	
	Seal	16044
	Bearing	R1559-TV
	(Axle Repair Brg. Assy.)	• R1559
1999-1995	S Series w/8.50" Ring Gear, High Wider (ZR2) & 1.024" Wide Brg.:	
	Seal	16044
	Bearing	DK59047
	(Axle Repair Brg. Assy.)	• R59047
1998-1995	S Series w/8.50" Ring Gear & .70" Wide Bearing w/o High Wider (ZR2):	
	Seal	16044
	Bearing	R1563-TAV
	(Axle Repair Brg. Assy.)	• R1563
1998-1995	S Series w/8.50" Ring Gear & 1.024" Wide Bearing w/o High Wider (ZR2):	
	Seal	16044
	Bearing	DK59047
	(Axle Repair Brg. Assy.)	• R59047
1998-1994	S Series w/7.625" Ring Gear & Stamping Code (C):	
	Seal	14002
	Bearing	R1563-TAV
	(Axle Repair Brg. Assy.)	• R1563
1998-1994	S Series w/7.625" Ring Gear & Stamping Code (K):	
	Seal	13992
	Bearing	R1563-TAV
	(Axle Repair Brg. Assy.)	• R1563
1994	S Series w/8.50" Ring Gear:	
	Seal	16044
	Bearing	R1559-TV
	(Axle Repair Brg. Assy.)	• R1559
1993-1992	S Series w/7.625" Ring Gear:	
	Seal	14002
	Bearing	R1563-TAV
	(Axle Repair Brg. Assy.)	• R1563
1993-1992	S Series w/7.50" Ring Gear & Stamping Code (K):	
	Seal	13992
	Bearing	R1563-TAV
	(Axle Repair Brg. Assy.)	• R1563
1993-1992	S Series w/7.50" Ring Gear & Stamping Code (C):	
	Seal	14002
	Bearing	R1563-TAV
	(Axle Repair Brg. Assy.)	• R1563
1991	7.50" & 7.625" Ring Gears Exc. Syclone & 4 Door Blazer:	
	Seal	13992
	Bearing	R1563-TAV
	(Axle Repair Brg. Assy.)	• R1563

(Continued)

• See page 256.

For all other in-text symbols, see page 6.

**(Cont.) -- CHEVROLET/GMC TRUCK ASTRO/SAFARI,
COLORADO/CANYON, LUV, ENVOY, S10 BLAZER/S15 JIMMY, S10/S15,
SONOMA, SSR, TRAILBLAZER**

MFG./YEAR	MODEL & LOCATION	PART NO.	MFG./YEAR	MODEL & LOCATION	PART NO.
WHEEL REAR (Cont.)			PINION (Cont.)		
1991	4 Door Blazer & Syclone w/7.625" Ring Gear:		REAR AXLE (Cont.)		
	Seal	14002	2005-2002	Envoy & Trailblazer w/129" W.B.:	
	Bearing	R1563-TAV		Seal	21285
	(Axle Repair Brg. Assy.)	• R1563		(Speedi-Sleeve)	99212
1990-1982	S Series:			Bearing (Front)	BR52
	Seal	13992		(Set Components)	M88048/M88010
	Bearing	R1563-TAV	2005-2000	Astro, Safari & S Series w/7.625" Ring Gear:	
	(Axle Repair Brg. Assy.)	• R1563		Seal	17407
1989-1985	Astro & Safari w/7.50" Ring Gear:			Bearing (Front)	M86649/M86610
	Seal	14381		Bearing (Rear)	HM89249/HM89210
	Seal (Viton)	14387	2003-1997	S Series w/8.50" & 8.625" Ring Gears,	
	Bearing	DK57509		2nd Design:	
	(Axle Repair Brg. Assy.)	• R57509		Seal	21285
1982-1972	Luv:			(Speedi-Sleeve)	99212
	Seal (Inner)	13445		Bearing (Front)	BR52
	Seal (Outer)	18671		(Set Components)	M88048/M88010
	Bearing	BR30208		Bearing (Rear)	M802048/M802011
PINION			2001-1994	S Series w/8.50" & 8.625" Ring Gears	
FRONT AXLE				1st Design:	
2005-2002	Envoy & Trailblazer:			Seal	19273
	Seal	15306		(Speedi-Sleeve)	99193
	(Speedi-Sleeve)	99152		Bearing (Front)	BR52
	Bearing (Front)	BR52		(Set Components)	M88048/M88010
	(Set Components)	M88048/M88010		Bearing (Rear)	M802048/M802011
	Bearing (Rear)	M86649/M86610	1999-1982	Astro, Safari & S Series Pickup w/7.50"	
2005-2002	S Series Pickup:			& 7.625" Ring Gears:	
	Seal	15306		Seal	15315
	(Speedi-Sleeve)	99152		(Speedi-Sleeve)	99152
	Bearing (Front)	BR52		Bearing (Front)	M86649/M86610
	(Set Components)	M88048/M88010		Bearing (Rear)	HM89249/HM89210
	Bearing (Rear)	M86649/M86610	1982-1972	Luv:	
2005-1990	Astro & Safari w/A.W.D.:			Seal	15863
	Seal	15306		(Speedi-Sleeve)	99157
	(Speedi-Sleeve)	99152		Bearing (Front)	BR30306
	Bearing (Front)	BR52		Bearing (Rear)	BR32307
	(Set Components)	M88048/M88010			
	Bearing (Rear)	M86649/M86610			
2001-1983	S Series:				
	Seal	15306			
	(Speedi-Sleeve)	99152			
	Bearing (Front)	BR52			
	(Set Components)	M88048/M88010			
	Bearing (Rear)	M86649/M86610			
1982-1979	Luv:				
	Seal	14055			
	(Speedi-Sleeve)	99146			
	Bearing (Front)	BR30305			
	Bearing (Rear)	BR02475/BR02420			
REAR AXLE					
2005-2004	Canyon, Colorado & SSR:				
	Seal	17407			
	Bearing (Front)	M86649/M86610			
	Bearing (Rear)	M802048/M802011			
2005-2002	Envoy & Trailblazer w/113" W.B.:				
	Seal	17407			
	Bearing (Front)	M86649/M86610			

APPLICATIONS

TRAILER, TAG & PUSH AXLES

FRONT AXLES

DRIVE AXLES

PINION SEALS

CONMET®

LIGHT TRUCK

CHEVROLET/GMC TRUCK LLV (Postal Service)

MFG./YEAR	MODEL & LOCATION	PART NO.	MFG./YEAR	MODEL & LOCATION	PART NO.
-----------	------------------	----------	-----------	------------------	----------

WHEEL FRONT

1995-1987 All:
 Seal19984
 Bearing (Inner) BR6
 (Set Components) LM67048/LM67010
 Bearing (Outer) BR34
 (Set Components) LM12748/LM12710

WHEEL REAR

1995-1987 All:
 Seal (Viton)14387
 Seal14381
 Bearing DK57509
 (Axle Repair Brg. Assy.) • R57509

PINION

1995-1987 All:
 Seal15315
 (Speedi-Sleeve)99152
 Bearing (Front) M86649/M86610
 Bearing (Rear) HM89249/HM89210

CHEVROLET/GMC TRUCK CABALLERO, SPRINT

WHEEL FRONT

1987-1982 Caballero:
 Seal19984
 Bearing (Inner) BR6
 (Set Components) LM67048/LM67010
 Bearing (Outer) BR34
 (Set Components) LM12748/LM12710

1981-1979 Caballero:
 Seal19984
 Bearing (Inner) BR6
 (Set Components) LM67048/LM67010
 Bearing (Outer) BR3
 (Set Components) M12649/M12610

1978-1973 All:
 Seal19984
 Bearing (Inner) BR6
 (Set Components) LM67048/LM67010
 Bearing (Outer) BR2
 (Set Components) LM11949/LM11910

1972-1971 Sprint:
 Seal17187
 Bearing (Inner) BR6
 (Set Components) LM67048/LM67010
 Bearing (Outer) BR2
 (Set Components) LM11949/LM11910

WHEEL REAR

1987-1978 Caballero:
 Seal13992
 Bearing R1563-TAV
 (Axle Repair Brg. Assy.) • R1563

1977-1973 Sprint w/B & O Axles:
 Seal16735
 Bearing BR9

1977-1971 Sprint Exc. B & O Axles:
 Seal13992
 Bearing R1563-TAV
 (Axle Repair Brg. Assy.) • R1563

PINION

1987-1980 Caballero:
 Seal15315
 (Speedi-Sleeve)99152
 Bearing (Front) M86649/M86610
 Bearing (Rear) HM89249/HM89210

1979-1978 Caballero:
 Seal15315
 (Speedi-Sleeve)99152
 Bearing (Front) M86649/M86610
 Bearing (Rear) HM89449/HM89410

1977-1973 Sprint:
 Seal19273
 (Speedi-Sleeve)99193
 Bearing (Front) BR52
 (Set Components) M88048/M88010
 Bearing (Rear) M802048/M802011

1972-1971 Sprint w/10 Bolt Cvr.:
 Seal15315
 (Speedi-Sleeve)99152
 Bearing (Front) M86649/M86610
 Bearing (Rear) HM89449/HM89410

1972-1971 Sprint w/12 Bolt Cvr.:
 Seal17190
 (Speedi-Sleeve)99170
 Bearing (Front) BR52
 (Set Components) M88048/M88010
 Bearing (Rear) M802048/M802011

• See page 256.

For all other in-text symbols, see page 6.

CHEVROLET/GMC TRUCK EQUINOX

MFG./YEAR	MODEL & LOCATION	PART NO.	MFG./YEAR	MODEL & LOCATION	PART NO.
WHEEL FRONT					
2006-2005 w/ABS:					
	Hub Assembly	BR930326			
2006-2005 w/o ABS:					
	Hub Assembly	BR930323			
WHEEL REAR					
2006-2005 w/o ABS:					
	Hub Assembly	BR930328			
2006-2005 w/ABS:					
	Hub Assembly	BR930327			

CHEVROLET/GMC TRUCK TRACKER (FROM 1998)

<p>WHEEL FRONT (2 W/D)</p> <p>2004-2001 All:</p> <p>Hub Assembly BR930308</p> <p>2000-1998 All:</p> <p>Seal (Inner) 29505</p> <p>Seal (Outer) 21052</p> <p>Bearing FW151</p> <p>WHEEL FRONT (4 W/D)</p> <p>2004-2001 All:</p> <p>Hub Assembly BR930308</p> <p>2000-1998 All:</p> <p>Seal (Inner) 29505</p> <p>Seal (Outer) 21052</p> <p>Bearing FW151</p> <p>SPINDLE HUB</p> <p>2004-1999 All:</p> <p>Seal (Inner) 18878</p> <p>Seal (Outer) 25196</p>	<p>WHEEL REAR</p> <p>2004-1998 All:</p> <p>Seal 20902</p> <p>Sealed Bearing GRW108</p> <p>AXLE SHAFT</p> <p>2004-1998 All:</p> <p>Seal (Inner) 20902</p> <p>Sealed Bearing GRW108</p> <p>PINION</p> <p>2003-1998 All:</p> <p>Seal 14763</p> <p>(Speedi-Sleeve) 99147</p> <p>Bearing (Inner) BR30307</p> <p>Bearing (Outer) BR30306</p>
--	--

CHEVROLET/GMC TRUCK FULL SIZE VANS, BEAUVILLE, CARAVAN, CHEVY VAN, EXPRESS/SAVANA, GAUCHO, GMC VAN, GYPSY, 1/2 TON VAN, G10, G15, G1500, 3/4 TON VAN, G20, G25, G2500, 1 TON VAN, G30, G3500

<p>WHEEL FRONT</p> <p>2007-2003 G1500 w/o A.W.D.:</p> <p>Hub Assembly BR930417</p> <p>2007-2003 G1500 w/A.W.D.:</p> <p>Hub Assembly BR930304</p> <p>2007-2003 G2500 w/7,300 lb. G.V.W. w/o A.W.D.:</p> <p>Hub Assembly BR930417</p> <p>2007-2003 G2500 w/8500 lb. & 8600 lb. G.V.W. w/o A.W.D.:</p> <p>Hub Assembly BR930352</p> <p>2007-2003 G3500 w/8600 lb. & 9600 lb. G.V.W.:</p> <p>Hub Assembly BR930352</p> <p>2006-2003 G3500 w/o 8600 lb. & 9600 lb. G.V.W.:</p> <p>Hub Assembly BR930353</p> <p>2006-2003 G2500 w/A.W.D.:</p> <p>Hub Assembly BR930304</p> <p>2002-1996 G20 & G25 w/7,300 lb. G.V.W.:</p> <p>Seal 19784</p> <p>Bearing (Inner) BR5</p> <p>(Set Components) LM48548/LM48510</p> <p>Bearing (Outer) BR3</p> <p>(Set Components) M12649/M12610</p>	<p>WHEEL FRONT (Cont.)</p> <p>2002-1996 G20 & G25 w/7700 lb. & 8600 lb. G.V.W.:</p> <p>Seal 21756</p> <p>Bearing (Inner) BR35</p> <p>(Set Components) LM501349/LM501310</p> <p>Bearing (Outer) 15103-S/BR15243</p> <p>2002-1996 G10 & G15:</p> <p>Seal 19784</p> <p>Bearing (Inner) BR5</p> <p>(Set Components) LM48548/LM48510</p> <p>Bearing (Outer) BR3</p> <p>(Set Components) M12649/M12610</p> <p>2002-1992 G30 & G35:</p> <p>Seal 21756</p> <p>Bearing (Inner) BR35</p> <p>(Set Components) LM501349/LM501310</p> <p>Bearing (Outer) 15103-S/BR15243</p> <p>1995-1993 G20 & G25 w/Gas Eng. & (JB5) Brks.:</p> <p>Seal 19784</p> <p>Bearing (Inner) BR5</p> <p>(Set Components) LM48548/LM48510</p> <p>Bearing (Outer) BR3</p> <p>(Set Components) M12649/M12610</p> <p style="text-align: right;">(Continued)</p>
--	---

APPLICATIONS

TRAILER, TAG & PUSHER AXLES

FRONT AXLES

DRIVE AXLES

PINION SEALS

CONMET®

LIGHT TRUCK

• See page 256.

For all other in-text symbols, see page 6.

CHEVROLET/GMC TRUCK FULL SIZE VANS, BEAUVILLE, CARAVAN, CHEVY VAN, EXPRESS/SAVANA, GAUCHO, GMC VAN, GYPSY, 1/2 TON VAN, G10, G15, G1500, 3/4 TON VAN, G20, G25, G2500, 1 TON VAN, G30, G3500 -- (Cont.)

MFG./YEAR	MODEL & LOCATION	PART NO.
WHEEL FRONT (Cont.)		
1995-1993	G10 & G15 w/Modified Suspension:	
	Seal	21756
	Bearing (Inner)	BR5
	(Set Components)	LM48548/LM48510
	Bearing (Outer)	BR3
	(Set Components)	M12649/M12610
1995-1993	G10 & G15 w/o Modified Suspension:	
	Seal	19784
	Bearing (Inner)	BR5
	(Set Components)	LM48548/LM48510
	Bearing (Outer)	BR3
	(Set Components)	M12649/M12610
1995-1992	G20 & G25 w/Diesel Eng. & (JD5) Brks.:	
	Seal	21756
	Bearing (Inner)	BR35
	(Set Components)	LM501349/LM501310
	Bearing (Outer)	BR1779/BR1729
1992-1979	G10 & G15:	
	Seal	19984
	Bearing (Inner)	BR5
	(Set Components)	LM48548/LM48510
	Bearing (Outer)	BR3
	(Set Components)	M12649/M12610
1992-1977	G20 & G25 w/Gas Eng. & (JB5) Brks. w/o ABS:	
	Seal	19984
	Bearing (Inner)	BR5
	(Set Components)	LM48548/LM48510
	Bearing (Outer)	BR3
	(Set Components)	M12649/M12610
1992-1977	G20 & G25 w/Gas Eng., (JB5) Brks. & ABS:	
	Seal	19784
	Bearing (Inner)	BR5
	(Set Components)	LM48548/LM48510
	Bearing (Outer)	BR3
	(Set Components)	M12649/M12610
1991-1983	G20 & G25 w/Diesel Eng. & (JD5) Brks.:	
	Seal	21771
	Bearing (Inner)	BR35
	(Set Components)	LM501349/LM501310
	Bearing (Outer)	BR1779/BR1729
1991-1973	G30 & G35:	
	Seal	21771
	Bearing (Inner)	BR35
	(Set Components)	LM501349/LM501310
	Bearing (Outer)	15103-S/BR15243
1978-1971	G10 & G15 w/Disc Brks.:	
	Seal	19984
	Bearing (Inner)	BR6
	(Set Components)	LM67048/LM67010
	Bearing (Outer)	BR2
	(Set Components)	LM11949/LM11910

MFG./YEAR	MODEL & LOCATION	PART NO.
WHEEL FRONT (Cont.)		
1976-1973	G20 & G25 w/110" W.B.:	
	Seal	19984
	Bearing (Inner)	BR6
	(Set Components)	LM67048/LM67010
	Bearing (Outer)	BR2
	(Set Components)	LM11949/LM11910
1972-1971	G10 & G15 w/Drum Brks.:	
	Seal	19757
	Bearing (Inner)	BR5
	(Set Components)	LM48548/LM48510
	Bearing (Outer)	BR2
	(Set Components)	LM11949/LM11910
1972-1971	G20 & G25 w/Disc Brks. Exc. 110" W.B.:	
	Seal	21771
	Bearing (Inner)	BR2777/BR2720
	Bearing (Outer)	BR3
	(Set Components)	M12649/M12610
1972-1971	G30 & G35 w/Disc Brks.:	
	Seal	21771
	Bearing (Inner)	BR35
	(Set Components)	LM501349/LM501310
	Bearing (Outer)	15103-S/BR15243
1972-1971	G30 & G35 w/Drum Brks.:	
	Seal	21771
	Bearing (Inner)	BR2777/BR2720
	Bearing (Outer)	BR3
	(Set Components)	M12649/M12610
1972-1967	G20 & G25 w/Drum Brks.:	
	Seal	19757
	Bearing (Inner)	BR6
	(Set Components)	LM67048/LM67010
	Bearing (Outer)	BR2
	(Set Components)	LM11949/LM11910
1970-1964	G10 & G15:	
	Seal	17187
	Bearing (Inner)	BR6
	(Set Components)	LM67048/LM67010
	Bearing (Outer)	BR2
	(Set Components)	LM11949/LM11910
AXLE SHAFT		
2004-2003	G1500 & G2500 w/A.W.D.:	
	Bearing	HK4012
WHEEL REAR		
2007-2003	G1500:	
	Seal	16146
	Bearing	DK59047
	(Axle Repair Brg. Assy.)	• R59047
2007-2003	10.50" Ring Gear:	
	Seal	28554
	Bearing (Inner)	387-AS/382-A
	Bearing (Outer)	BR38
	(Set Components)	LM104949/LM104911
2007-2003	9.75" Ring Gear:	
	Seal	17100
	Bearing	R1561-TV
	(Axle Repair Brg. Assy.)	• R1561-G
		(Continued)

• See page 256.

For all other in-text symbols, see page 6.

**(Cont.) -- CHEVROLET/GMC TRUCK FULL SIZE VANS, BEAUVILLE,
CARAVAN, CHEVY VAN, EXPRESS/SAVANA, GAUCHO, GMC VAN,
GYPSY, 1/2 TON VAN, G10, G15, G1500, 3/4 TON VAN, G20, G25,
G2500, 1 TON VAN, G30, G3500**

MFG./YEAR	MODEL & LOCATION	PART NO.	MFG./YEAR	MODEL & LOCATION	PART NO.
WHEEL REAR (Cont.)			PINION		
2002-1996	G20 & G25 w/9.50" Ring Gear:		2005-2003	G1500 & G2500 Frt. Axle:	
	Seal	17005		Seal	17407
	Bearing	R1561-TV		Bearing (Front)	M86649/M86610
	(Axle Repair Brg. Assy.)	• R1561-G		Bearing (Rear)	B52
2002-1996	G10 & G15:		2005-2003	G1500 Rr. Axle:	
	Seal	16146		Seal	21285
	Bearing	DK59047		(Speedi-Sleeve)	99212
	(Axle Repair Brg. Assy.)	• R59047		Bearing (Front)	BR52
2002-1983	G20, G25, G30 & G35 w/10.50" Ring Gear:			(Set Components)	M88048/M88010
	Seal	28426	2005-2003	G2500 Rr. Axle:	
	Seal Kit	28446		Bearing (Front)	HM88542/HM88510
	Bearing (Inner)	387-AS/382-A		Bearing (Rear)	HM803146/HM803110
	Bearing (Outer)	BR38	2005-2003	G3500 Rr. Axle:	
	(Set Components)	LM104949/LM104911		Bearing (Front)	HM88542/HM88510
1995-1971	G10, G15, G20 & G25 w/8.50" Ring Gear:			Bearing (Rear)	HM807040/HM807010
	Seal	16044	2002-1997	G10 & G15 2nd Design:	
	Bearing	R1559-TV		Seal	21285
	(Axle Repair Brg. Assy.)	• R1559		(Speedi-Sleeve)	99212
1991-1983	G30 & G35 w/9.50" Ring Gear:			Bearing (Front)	BR52
	Seal	17053		(Set Components)	M88048/M88010
	Bearing	R1561-TV		Bearing (Rear)	M802048/M802011
	(Axle Repair Brg. Assy.)	• R1561-G	2002-1997	G20 & G25 2nd Design w/9.50" Ring Gear:	
1984-1975	G20 & G25 w/10.50" Ring Gear:			Seal	20880
	Seal	28426		Bearing (Front)	HM88649/HM88610
	(Speedi-Sleeve/Seal Kit)	28446		Bearing (Rear)	HM804846/HM804810
	Bearing (Inner)	387-AS/382-A	2002-1997	G20, G25, G30 & G35 2nd Design w/10.50" Ring Gear:	
	Bearing (Outer)	BR38		Seal	23244
	(Set Components)	LM104949/LM104911		Bearing (Front)	M802048/011
1982-1973	G30 & G35:			Bearing (Pilot)	R1581-TV
	Seal	28426		Bearing (Rear)	HM903249/HM903210
	(Speedi-Sleeve/Seal Kit)	28446	1997-1996	G10 & G15 1st Design:	
	Bearing (Inner)	387-AS/382-A		Seal	19273
	Bearing (Outer)	BR38		(Speedi-Sleeve)	99193
	(Set Components)	LM104949/LM104911		Bearing (Front)	BR52
1972-1971	G30 & G35:			(Set Components)	M88048/M88010
	Seal	28426		Bearing (Rear)	M802048/M802011
	(Speedi-Sleeve/Seal Kit)	28446	1997-1996	G20 & G25 1st Design w/9.50" Ring Gear:	
	Bearing (Inner)	KD11786-Y		Seal	19314
	(Set Components)	388-A/BR382		(Speedi-Sleeve)	99193
	Bearing (Outer)	KB11630-Z		Bearing (Front)	HM88649/HM88610
	(Set Components)	368-S/BR362		Bearing (Rear)	HM804846/HM804810
1972-1964	G10 & G15 w/HO24 Axle:		1997-1996	G20, G25, G30 & G35 w/10.50" Ring Gear:	
	Seal	13992		Seal	21955
	Bearing	R1563-TAV		(Speedi-Sleeve)	99220
	(Axle Repair Brg. Assy.)	• R1563		Bearing (Front)	M802048/M802011
1972-1964	G10 & G15 w/HO31 & HO35 Axles:			Bearing (Pilot)	R1581-TV
	Seal	16044		Bearing (Rear)	HM903249/HM903210
	Bearing	R1559-TV	1995-1991	G30 & G35 w/10.50" Saginaw Ring Gear:	
	(Axle Repair Brg. Assy.)	• R1559		Seal	21955
1970-1967	G20 & G25 w/HO31 & HO35 Axles:			(Speedi-Sleeve)	99220
	Seal	16044		Bearing (Front)	M802048/M802011
	Bearing	R1559-TV		Bearing (Pilot)	R1581-TV
	(Axle Repair Brg. Assy.)	• R1559		Bearing (Rear)	HM903249/HM903210

(Continued)

• See page 256.

For all other in-text symbols, see page 6.

APPLICATIONS
 TRAILER, TAG & PUSHER AXLES
 FRONT AXLES
 DRIVE AXLES
 PINION SEALS
 CONMET®
 LIGHT TRUCK

CHEVROLET/GMC TRUCK FULL SIZE VANS, BEAUVILLE, CARAVAN, CHEVY VAN, EXPRESS/SAVANA, GAUCHO, GMC VAN, GYPSY, 1/2 TON VAN, G10, G15, G1500, 3/4 TON VAN, G20, G25, G2500, 1 TON VAN, G30, G3500 -- (Cont.)

MFG./YEAR	MODEL & LOCATION	PART NO.
PINION (Cont.)		
1995-1985	G30 & G35 w/9.50" Ring Gear:	
	Seal	19314
	(Speedi-Sleeve)	99193
	Bearing (Front)	HM88649/HM88610
	Bearing (Rear)	HM804846/HM804810
1995-1983	G20 & G25:	
	Seal	19273
	(Speedi-Sleeve)	99193
	Bearing (Front)	BR52
	(Set Components)	M88048/M88010
	Bearing (Rear)	M802048/M802011
1995-1975	G10 & G15 w/8.50" Ring Gear:	
	Seal	19273
	(Speedi-Sleeve)	99193
	Bearing (Front)	BR52
	(Set Components)	M88048/M88010
	Bearing (Rear)	M802048/M802011
1991-1985	G30 & G35 w/10.50" Dana Ring Gear:	
	Seal	18891
	(Speedi-Sleeve)	99187
	Bearing (Front)	HM88542/HM88510
	Bearing (Pilot)	HM803149/HM803110
	Bearing (Rear)	HM807040/HM807010
1991-1974	G30 & G35 w/9.75" Ring Gear:	
	Seal	18891
	(Speedi-Sleeve)	99187
	Bearing (Front)	HM88542/HM88510
	Bearing (Rear)	HM803146/HM803110
1984	G30 & G35 w/10.50" Ring Gear Exc. Spicer Axles, 4.10 & 4.56 Ratios:	
	Seal	18891
	(Speedi-Sleeve)	99187
	Bearing (Front)	HM88542/HM88510
	Bearing (Rear)	HM803149/HM803110
1984-1979	G30 & G35 w/10.50" Ring Gear & 4.10 & 4.56 Ratios:	
	Seal	18891
	(Speedi-Sleeve)	99187
	Bearing (Front)	HM88542/HM88510
	Bearing (Rear)	BR3767/BR3730
1984-1973	G30 & G35 w/Spicer Axle & 10.50" Ring Gear Exc. 4.10 & 4.56 Ratios:	
	Seal	18891
	(Speedi-Sleeve)	99187
	Bearing (Front)	HM88542/HM88510
	Bearing (Rear)	HM807040/HM807010

MFG./YEAR	MODEL & LOCATION	PART NO.
PINION (Cont.)		
1982-1978	G20, G25, G30 & G35 w/10.50" Ring Gear Exc. Spicer Axles, 4.10 & 4.56 Ratios:	
	Seal	21955
	(Speedi-Sleeve)	99220
	Bearing (Front)	M802048/M802011
	Bearing (Pilot)	R1581-TV
	Bearing (Rear)	HM803149/HM803110
1981-1973	G10, G15, G20 & G25 w/8.875" Ring Gear:	
	Seal	17190
	(Speedi-Sleeve)	99170
	Bearing (Front)	BR52
	(Set Components)	M88048/M88010
	Bearing (Rear)	HM89449/HM89410
1972-1971	G30 & G35:	
	Seal	25970
	(Speedi-Sleeve)	99259
	Bearing (Front)	A1011
	Bearing (Rear)	M5205-UV
1972-1964	G10 & G15 w/HO24 Axle:	
	Seal	15315
	(Speedi-Sleeve)	99152
	Bearing (Front)	M86649/M86610
	Bearing (Rear)	HM89449/HM89410
1972-1964	G10, G15, G20, & G25 w/HO31 & HO35 Axles:	
	Seal	17190
	(Speedi-Sleeve)	99170
	Bearing (Front)	BR52
	(Set Components)	M88048/M88010
	Bearing (Rear)	HM89449/HM89410

CHEVROLET/GMC TRUCK 1/2 TON, 1500 (C SERIES), 1500 (K SERIES), 1500 (R SERIES), 1500 (V SERIES), AVALANCHE, BLAZER/JIMMY, K5 BLAZER/K5 JIMMY, SILVERADO/SIERRA, SUBURBAN (1/2 TON), TAHOE/YUKON, C10/C15, D10/D15, K10/K15

MFG./YEAR	MODEL & LOCATION	PART NO.
WHEEL FRONT (2 W/D)		
2007-2001	Silverado & Sierra w/o Ext. Cab:	
	Hub Assembly	BR930417
2006-2002	Avalanche:	
	Hub Assembly	BR930417

MFG./YEAR	MODEL & LOCATION	PART NO.
WHEEL FRONT (2 W/D) (Cont.)		
2006-1999	Tahoe & Yukon:	
	Hub Assembly	BR930417
		(Continued)

• See page 256.

For all other in-text symbols, see page 6.

(Cont.) -- CHEVROLET/GMC TRUCK 1/2 TON, 1500 (C SERIES), 1500 (K SERIES), 1500 (R SERIES), 1500 (V SERIES), AVALANCHE, BLAZER/JIMMY, K5 BLAZER/K5 JIMMY, SILVERADO/SIERRA, SUBURBAN (1/2 TON), TAHOE/YUKON, C10/C15, D10/D15, K10/K15

MFG./YEAR	MODEL & LOCATION	PART NO.	MFG./YEAR	MODEL & LOCATION	PART NO.
WHEEL FRONT (2 W/D) (Cont.)			WHEEL FRONT (2 W/D) (Cont.)		
2005-2000	Suburban:		1991-1981	C Series Exc. Ext. Cab & F44 H.D.	
	Hub Assembly	BR930417		Option:	
2000-1999	Silverado & Sierra:			Seal	19984
	Hub Assembly	BR930417		Bearing (Inner)	BR6
2000-1995	C Series w/Gas Eng.:			(Set Components)	LM67048/LM67010
	Seal	19784		Bearing (Outer)	BR3
	Bearing (Inner)	BR5		(Set Components)	M12649/M12610
	(Set Components)	LM48548/LM48510	1987	R Series:	
	Bearing (Outer)	BR3		Seal	19984
	(Set Components)	M12649/M12610		Bearing (Inner)	BR6
1999-1995	C Series w/Diesel Eng.:			(Set Components)	LM67048/LM67010
	Seal	21756		Bearing (Outer)	BR3
	Bearing (Inner)	BR35		(Set Components)	M12649/M12610
	(Set Components)	LM501349/LM501310	1981	P Series:	
	Bearing (Outer)	15103-S/BR15243		Seal	19984
1999-1995	Tahoe & Yukon w/396 (6.5L) Eng.:			Bearing (Inner)	BR5
	Seal	21756		(Set Components)	LM48548/LM48510
	Bearing (Inner)	BR35		Bearing (Outer)	BR3
	(Set Components)	LM501349/LM501310		(Set Components)	M12649/M12610
	Bearing (Outer)	15103-S/BR15243	1980-1971	All:	
1998-1995	Tahoe & Yukon w/350 (5.7L) Eng.:			Seal	19984
	Seal	19784		Bearing (Inner)	BR5
	Bearing (Inner)	BR5		(Set Components)	LM48548/LM48510
	(Set Components)	LM48548/LM48510		Bearing (Outer)	BR3
	Bearing (Outer)	BR3		(Set Components)	M12649/M12610
	(Set Components)	M12649/M12610	1970-1969	IFS30 & IFS35 Axles:	
1994	Blazer & Yukon w/Hyd. Pwr. Brk. System:			Seal	21771
	Seal	21756		Bearing (Inner)	BR2777/BR2720
	Bearing (Inner)	BR5		Bearing (Outer)	BR3
	(Set Components)	LM48548/LM48510		(Set Components)	M12649/M12610
	Bearing (Outer)	BR3	1970-1962	IFS25 Axle:	
	(Set Components)	M12649/M12610		Seal	19757
1994	Blazer & Yukon w/Pwr. Brks.:			Bearing (Inner)	BR5
	Seal	19784		(Set Components)	LM48548/LM48510
	Bearing (Inner)	BR35		Bearing (Outer)	BR2
	(Set Components)	LM501349/LM501310		(Set Components)	LM11949/LM11910
	Bearing (Outer)	15103-S/BR15243	1961-1960	All:	
1994-1992	All:			Seal	19938
	Seal	19784		Bearing (Inner)	B66
	Bearing (Inner)	BR5		Bearing (Outer)	B67
	(Set Components)	LM48548/LM48510	1959-1938	All:	
	Bearing (Outer)	BR3		Seal	18772
	(Set Components)	M12649/M12610		Bearing (Inner)	B52
1991-1988	R Series:			Bearing (Outer)	B67
	Seal	19984	WHEEL FRONT (4 W/D)		
	Bearing (Inner)	BR5	2007-2001	Avalanche, Suburban, Tahoe & Yukon:	
	(Set Components)	LM48548/LM48510		Hub Assembly	BR930304
	Bearing (Outer)	BR3	2007-2001	Silverado & Sierra w/6 Bolt Hub:	
	(Set Components)	M12649/M12610		Hub Assembly	BR930304
1991-1988	C Series w/Ext. Cab & F44 H.D. Option:		2007-2001	Silverado & Sierra w/8 Bolt Hub:	
	Seal	19984		Hub Assembly	BR930416
	Bearing (Inner)	BR5	2000-1999	Silverado & Sierra:	
	(Set Components)	LM48548/LM48510		Hub Assembly	BR930304
	Bearing (Outer)	BR3	2000-1999	Suburban, Tahoe & Yukon Exc. 350 (5.7L) Eng.:	
	(Set Components)	M12649/M12610		Hub Assembly	BR930304
					(Continued)

APPLICATIONS
 TRAILER, TAG & PUSHER AXLES
 FRONT AXLES
 DRIVE AXLES
 PINION SEALS
 CONMET®
 LIGHT TRUCK

CHEVROLET/GMC TRUCK 1/2 TON, 1500 (C SERIES), 1500 (K SERIES), 1500 (R SERIES), 1500 (V SERIES), AVALANCHE, BLAZER/JIMMY, K5 BLAZER/K5 JIMMY, SILVERADO/SIERRA, SUBURBAN (1/2 TON), TAHOE/YUKON, C10/C15, D10/D15, K10/K15 -- (Cont.)

MFG./YEAR	MODEL & LOCATION	PART NO.
WHEEL FRONT (4 W/D) (Cont.)		
2000-1995	Suburban, Tahoe & Yukon w/350 (5.7L) Eng.:	
	Seal	30772
	Hub Assembly	BR930346
1999	K Series Pickup Exc. Silverado & Sierra:	
	Seal	30772
	Hub Assembly	BR930346
1999-1994	Blazer, Tahoe & Yukon w/396 (6.5L) Eng.:	
	Seal	31504
	Hub Assembly	BR930406
1998-1995	K Series:	
	Seal	30772
	Hub Assembly	BR930346
1994	Blazer & Yukon w/350 (5.7L) Eng.:	
	Seal	31504
	Hub Assembly	BR930406
1994	K Series:	
	Seal	30772
	Hub Assembly	BR930094
1993-1992	All:	
	Seal	30772
	Hub Assembly	BR930094
1991-1988	K Series w/o Ext. Cab & F44 H.D. Option:	
	Seal	30772
	Hub Assembly	BR930094
1991-1987	V Series:	
	Seal	24898
	Bearing (Inner)	LM104949/JLM104910
	Bearing (Outer)	BR35
	(Set Components)	LM501349/LM501310
1986-1977	2nd Design Spicer Axle:	
	Seal	24898
	Bearing (Inner)	LM104949/JLM104910
	Bearing (Outer)	BR35
	(Set Components)	LM501349/LM501310
1977-1973	1st Design Spicer Axle:	
	Seal	24898
	Bearing (Inner)	BR37
	(Set Components)	LM603049/LM603011
	Bearing (Outer)	BR35
	(Set Components)	LM501349/LM501310
1972-1957	All:	
	Seal	24898
	Bearing (Inner)	BR37
	(Set Components)	LM603049/LM603011
	Bearing (Outer)	BR35
	(Set Components)	LM501349/LM501310
AXLE SHAFT		
2005-2001	Exc. Ext. Cab:	
	Seal	12587
	Bearing	B2010

MFG./YEAR	MODEL & LOCATION	PART NO.
WHEEL FRONT (4 W/D) (Cont.)		
AXLE SHAFT (Cont.)		
2005-1999	w/Ext. Cab:	
	Seal	16123
	Bearing	B2010
2000-1997	K Series (2nd Design):	
	Seal	12587
	Bearing	B2010
1997-1988	K Series (1st Design):	
	Seal	12320
	Bearing (Inner)	B2610A
	Bearing (Outer)	B2012
1991-1987	V Series:	
	Seal	13165
1986-1960	Exc. Spicer Axle:	
	Seal	13165
1980-1979	Spicer Axle:	
	Seal	13168
1959-1956	All:	
	Seal	14864
SPINDLE HUB		
1991-1987	V Series:	
	Seal (Inner)	22311
	Seal (Outer)	711818
	Bearing	B2110
	Seal & Bearing Kit	BK1
1986-1973	All:	
	Seal (Inner)	22311
	Seal (Outer)	711818
	Bearing Assembly	B2110
	Seal & Bearing Kit	BK1
1972-1969	1st Design Axle:	
	Seal	19360
	Bearing Assembly	B2110
STEERING KNUCKLE		
1972-1960	Exc. FHD035 Axle:	
	Bearing	BR11590/BR11520
1966-1963	FHD035 Axle:	
	Bearing	BR23100/BR23256
1959-1956	All:	
	Bearing	BR21075/BR21212
WHEEL REAR		
2007-2005	Silverado & Sierra w/Crew Cab:	
	Seal	17005
	Bearing (Inner)	387-AS/382-A
	Bearing (Outer)	R1561-TV
	(Axle Repair Brg. Assy.)	• R1561-G
2007-2000	Avalanche, Suburban, Tahoe & Yukon:	
	Seal	16146
	Bearing	DK59047
	(Axle Repair Brg. Assy.)	• R59047
2007-1999	Silverado & Sierra Exc. Crew Cab:	
	Seal	16146
	Bearing	DK59047
	(Axle Repair Brg. Assy.)	• R59047

(Continued)

• See page 256.

For all other in-text symbols, see page 6.

(Cont.) -- CHEVROLET/GMC TRUCK 1/2 TON, 1500 (C SERIES), 1500 (K SERIES), 1500 (R SERIES), 1500 (V SERIES), AVALANCHE, BLAZER/JIMMY, K5 BLAZER/K5 JIMMY, SILVERADO/SIERRA, SUBURBAN (1/2 TON), TAHOE/YUKON, C10/C15, D10/D15, K10/K15

MFG./YEAR	MODEL & LOCATION	PART NO.	MFG./YEAR	MODEL & LOCATION	PART NO.
WHEEL REAR (Cont.)			PINION (Cont.)		
2004-1999 Silverado & Sierra w/Ext. Cab:			FRONT AXLE (Cont.)		
	Seal	17005	1991-1987 V Series:		
	Bearing	R1561-TV		Seal	19277
	(Axle Repair Brg. Assy.)	• R1561-G		(Speedi-Sleeve)	99193
2001-1988 C & K Series w/8.50" Ring Gear:				Bearing (Front)	BR52
	Seal	16146		(Set Components)	M88048/M88010
	Bearing	DK59047		Bearing (Rear)	M802048/M802011
	(Axle Repair Brg. Assy.)	• R59047	1986-1977 Exc. Spicer Axle:		
2000-1988 C & K Series w/9.50" Ring Gear:				Seal	19277
	Seal	17005		(Speedi-Sleeve)	99193
	Bearing	R1561-TV		Bearing (Front)	BR52
	(Axle Repair Brg. Assy.)	• R1561-G		(Set Components)	M88048/M88010
1991-1987 R & V Series:				Bearing (Rear)	M802048/M802011
	Seal	16044	1980-1958 Spicer Axle:		
	Bearing	R1559-TV		Seal	15788
	(Axle Repair Brg. Assy.)	• R1559		(Speedi-Sleeve)	99155
1986-1973 All:				Bearing (Front)	BR02872/BR02820
	Seal	16044		Bearing (Rear)	BR31594/BR31520
	Bearing	R1559-TV	1959-1956 FH030 Axle:		
	(Axle Repair Brg. Assy.)	• R1559		Seal	17727
1972-1968 Spicer 60-35 Axle Exc. Leaf Springs:				(Speedi-Sleeve)	99170
	Seal	15142		Bearing (Front)	HM88547/HM88510
	Bearing	BR7		Bearing (Rear)	HM89449/HM89410
	(Set Components)	M201047-S/M201011	REAR AXLE		
1972-1968 Spicer 44, 45 & 60-35 Axles w/Leaf Springs:			2005-1998 8.50" & 8.625" Ring Gears:		
	Seal	15142		Seal	21285
	Sealed Bearing w/Lock Ring	88128-R		(Speedi-Sleeve)	99212
1972-1965 H033 & H035 Axles:				Bearing (Front)	BR52
	Seal	16044		(Set Components)	M88048/M88010
	Bearing	R1559-TV		Bearing (Rear)	M802048/011
	(Axle Repair Brg. Assy.)	• R1559	2005-1997 9.50" Ring Gear 2nd Design:		
1966-1960 Spicer 60 Axle:				Seal	20880
	Seal	23844		Bearing (Front)	HM88649/HM88610
	Bearing (Inner)	BR28678/BR28622		Bearing (Rear)	HM804846/HM804810
	Bearing (Outer)	BR18690/BR18620	2003 4 W/S:		
1964-1963 H033 & H035 Axles 2nd Design:				Bearing (Front)	HM88542/HM88510
	Seal	16040	1997-1985 C, K, R & V Series 1st Design w/9.50" Ring Gear & H.D. (F44):		
	Bearing	R1559-TV		Seal	19314
	(Axle Repair Brg. Assy.)	• R1559		(Speedi-Sleeve)	99193
1963-1938 H033 & H035 Axles 1st Design:				Bearing (Front)	HM88649/HM88610
	Seal	18695		Bearing (Rear)	HM804846/HM804810
	Bearing	R1502-EL	1997-1978 C, K, R & V Series w/8.50" Ring Gear:		
PINION				Seal	19273
FRONT AXLE				(Speedi-Sleeve)	99193
2002-1999 Silverado & Sierra:				Bearing (Front)	BR52
	Seal	19428		(Set Components)	M88048/M88010
2000-1988 K Series:				Bearing (Rear)	M802048/M802011
	Seal	19428	1981-1973 8.875" Ring Gear:		
	(Speedi-Sleeve)	99193		Seal	17190
	Bearing (Front)	M802048/M802011		(Speedi-Sleeve)	99170
	Bearing (Rear)	BR52		Bearing (Front)	BR52
	(Set Components)	M88048/M88010		(Set Components)	M88048/M88010
				Bearing (Rear)	HM89449/HM89410
					(Continued)

• See page 256.

For all other in-text symbols, see page 6.

APPLICATIONS
 TRAILER, TAG & PUSH AXLES
 FRONT AXLES
 DRIVE AXLES
 PINION SEALS
 CONMET®
 LIGHT TRUCK

APPLICATIONS
 TRAILER, TAG & PUSHER AXLES
 FRONT AXLES
 DRIVE AXLES
 PINION SEALS
 CONMET®
 LIGHT TRUCK

CHEVROLET/GMC TRUCK 1/2 TON, 1500 (C SERIES), 1500 (K SERIES), 1500 (R SERIES), 1500 (V SERIES), AVALANCHE, BLAZER/JIMMY, K5 BLAZER/K5 JIMMY, SILVERADO/SIERRA, SUBURBAN (1/2 TON), TAHOE/YUKON, C10/C15, D10/D15, K10/K15 -- (Cont.)

MFG./YEAR	MODEL & LOCATION	PART NO.	MFG./YEAR	MODEL & LOCATION	PART NO.
PINION (Cont.)			PINION (Cont.)		
REAR AXLE (Cont.)			REAR AXLE (Cont.)		
1972-1963	H033 & H035 Axles 2nd Design:		1954-1951	All:	
	Seal	17190		Bearing (Front)	5306-E
	(Speedi-Sleeve)	99170		Bearing (Rear)	R1506-EL
	Bearing (Front)	BR52	1950-1948	All:	
	(Set Components)	M88048/M88010		Seal	10632
	Bearing (Rear)	HM89449/HM89410		(Speedi-Sleeve)	99106
1972-1960	Spicer 44 Axle:			Bearing (Front)	5306-E
	Seal	15788		Bearing (Rear)	R1506-EL
	(Speedi-Sleeve)	99155	1947	All:	
	Bearing (Front)	BR02872/BR02820		Bearing (Front)	5306-E
	Bearing (Rear)	BR31594/BR31520		Bearing (Rear)	R1506-EL
1972-1957	Spicer 60 & 60-35 Axles:		1941-1940	All:	
	Seal (.531" Width)	18888		Seal	10632
	(Speedi-Sleeve)	99187		(Speedi-Sleeve)	99106
	Seal (.770" Width)	18891		Bearing (Front)	5306-E
	(Speedi-Sleeve)	99187		Bearing (Rear)	R1506-EL
	Bearing (Front)	HM88542/HM88510	1939	All:	
	Bearing (Rear)	HM803146/HM803110		Bearing (Front)	5206-A
1963-1951	H033 & H035 Axles 1st Design:			Bearing (Rear)	R1506-EL
	Seal	17727			
	(Speedi-Sleeve)	99170			
	Bearing (Front)	HM88547/HM88510			
	Bearing (Rear)	HM89449/HM89410			
1959-1955	Spicer 45 Axle:				
	Seal	15788			
	(Speedi-Sleeve)	99155			
	Bearing (Front)	BR02872/BR02820			
	Bearing (Rear)	BR3877/BR3820			

CHEVROLET/GMC TRUCK 3/4 TON, 2500 (C SERIES), 2500 (K SERIES), 2500 (R SERIES), 2500 (V SERIES), AVALANCHE, SILVERADO/SIERRA, SUBURBAN/YUKON XL, C20/C25, K20/K25, P20/P25

MFG./YEAR	MODEL & LOCATION	PART NO.	MFG./YEAR	MODEL & LOCATION	PART NO.
WHEEL FRONT (2 W/D)			WHEEL FRONT (2 W/D) (Cont.)		
2000-1999	Silverado, Sierra & Yukon XL:		1991-1988	Suburban Exc. 8,600 lb. G.V.W.:	
	Hub Assembly	BR930352		Seal	19984
2000-1992	C Series w/7,200 lb. G.V.W.:			Bearing (Inner)	BR5
	Seal	19784		(Set Components)	LM48548/LM48510
	Bearing (Inner)	BR5		Bearing (Outer)	BR3
	(Set Components)	LM48548/LM48510		(Set Components)	M12649/M12610
	Bearing (Outer)	BR3	1991-1971	C Series, R Series, P Series &	
	(Set Components)	M12649/M12610		Suburban w/8,600 lb. G.V.W.:	
2000-1992	C Series w/8,600 lb. G.V.W.:			Seal	21771
	Seal	21756		Bearing (Inner)	BR35
	Bearing (Inner)	BR35		(Set Components)	LM501349/LM501310
	(Set Components)	LM501349/LM501310		Bearing (Outer)	15103-S/BR15243
	Bearing (Outer)	15103-S/BR15243	1970-1963	All:	
1991-1988	C Series Exc. 8,600 lb. G.V.W.:			Seal	21771
	Seal	19984		Bearing (Inner)	BR2777/BR2720
	Bearing (Inner)	BR5		Bearing (Outer)	BR3
	(Set Components)	LM48548/LM48510		(Set Components)	M12649/M12610
	Bearing (Outer)	BR3	1962-1960	All:	
	(Set Components)	M12649/M12610		Seal	20965
				Bearing (Inner)	B48
				Bearing (Outer)	B47

(Continued)

• See page 256.

For all other in-text symbols, see page 6.

(Cont.) -- CHEVROLET/GMC TRUCK 3/4 TON, 2500 (C SERIES), 2500 (K SERIES), 2500 (R SERIES), 2500 (V SERIES), AVALANCHE, SILVERADO/SIERRA, SUBURBAN/YUKON XL, C20/C25, K20/K25, P20/P25

MFG./YEAR	MODEL & LOCATION	PART NO.	MFG./YEAR	MODEL & LOCATION	PART NO.
WHEEL FRONT (2 W/D) (Cont.)			WHEEL FRONT (4 W/D) (Cont.)		
1959-1946	All:		AXLE SHAFT (Cont.)		
	Seal (2.063" Shaft)	20669	1996-1988	K Series w/8,600 lb. G.V.W.:	
	Bearing (Inner)	B44		Seal	16116
	Bearing (Outer)	B45		Bearing (Inner)	B2610A
				Bearing (Outer)	B2410
WHEEL FRONT (4 W/D)			1991-1987	V Series:	
2007-2001	All:			Seal	13165
	Hub Assembly	BR930416	1986-1973	Exc. Spicer Axle:	
2000-1999	Silverado & Sierra:			Seal	13165
	Hub Assembly	BR930416	1980-1973	Spicer Axle:	
2000-1999	K Series w/8,600 lb. G.V.W. Exc. Silverado & Sierra:			Seal	13168
	Seal	31504	SPINDLE HUB		
	Hub Assembly	BR930406	1991-1987	V Series:	
1998-1988	K Series w/8,600 lb. G.V.W.:			Seal (Inner)	22311
	Seal	31504		Seal (Outer)	711818
	Hub Assembly	BR930406		Bearing	B2110
1995	K Series w/7,200 lb. G.V.W.:			Seal & Bearing Kit	BK1
	Hub Assembly	BR930346	1986-1973	All:	
1994-1988	K Series w/7,200 lb. G.V.W.:			Seal (Inner)	22311
	Seal	30772		Seal (Outer)	711818
	Hub Assembly	BR930094		Bearing	B2110
1991-1987	V Series:			Seal & Bearing Kit	BK1
	Seal	24898	WHEEL REAR		
	Bearing (Inner)	LM104949/JLM104910	2007-2005	9.50" Ring Gear Exc. Suburban:	
	Bearing (Outer)	BR35		Seal	17005
	(Set Components)	LM501349/LM501310		Bearing	R1561-TV
1986-1977	2nd Design Axle:			(Axle Repair Brg. Assy.)	• R1561-G
	Seal	24898	2007-2001	10.50" & 11.50" Ring Gears:	
	Bearing (Inner)	LM104949/JLM104910		Seal	28554
	Bearing (Outer)	BR35		Bearing (Inner)	387-AS/382-A
	(Set Components)	LM501349/LM501310		Bearing (Outer)	BR38
1977-1970	1st Design Axle:			(Set Components)	LM104949/LM104911
	Seal	25077	2005	Suburban w/o 4 Whl. Steering:	
	Bearing (Inner)	368-A/362-A		Seal	17005
	Bearing (Outer)	BR35		Bearing	R1561-TV
	(Set Components)	LM501349/LM501310		(Axle Repair Brg. Assy.)	• R1561-G
1969-1960	All:		2004-1999	9.50" Ring Gear:	
	Seal	25077		Seal	17005
	Bearing (Inner)	BR368/362-A		Bearing	R1561-TV
	Bearing (Outer)	BR35		(Axle Repair Brg. Assy.)	• R1561-G
	(Set Components)	LM501349/LM501310	2002-1992	C, K, R & V Series w/11.50" Ring Gear:	
1959-1957	All:			Seal	31870
	Seal	22390		Bearing (Inner)	KD12051-Z
	Bearing	[2] BR37		(Set Components)	395-CS/394-CS
	(Set Components)	LM603049/LM603011		Bearing (Outer)	KD11786-Y
				(Set Components)	388-A/BR382
AXLE SHAFT			2000-1999	Silverado & Sierra w/10.50" & 11.50" Ring Gears:	
2005-1999	Silverado & Sierra:			Seal	28554
	Seal	16123		Bearing (Inner)	387-AS/382-A
	Bearing (Inner)	B2610A		Bearing (Outer)	BR38
	Bearing (Outer)	B2410		(Set Components)	LM104949/LM104911
2004-1997	K Series w/8,600 lb. G.V.W.:				
	Bearing	BH78			
1996-1988	K Series w/7,200 lb. G.V.W.:				
	Seal	12320			
	Bearing (Inner)	B2610A			
	Bearing (Outer)	B2012			

(Continued)

APPLICATIONS
 TRAILER, TAG & PUSHER AXLES
 FRONT AXLES
 DRIVE AXLES
 PINION SEALS
 CONMET®
 LIGHT TRUCK

CHEVROLET/GMC TRUCK 3/4 TON, 2500 (C SERIES), 2500 (K SERIES), 2500 (R SERIES), 2500 (V SERIES), AVALANCHE, SILVERADO/SIERRA, SUBURBAN/YUKON XL, C20/C25, K20/K25, P20/P25 -- (Cont.)

MFG./YEAR	MODEL & LOCATION	PART NO.	MFG./YEAR	MODEL & LOCATION	PART NO.
-----------	------------------	----------	-----------	------------------	----------

WHEEL REAR (Cont.)

2000-1987 C, K, P, R & V Series w/10.50" Ring Gear:	
Seal	28426
Seal Kit	28446
Bearing (Inner)	387-AS/382-A
Bearing (Outer)	BR38
(Set Components)	LM104949/LM104911
1998-1988 C & K Series w/9.50" Ring Gear:	
Seal	17005
Bearing	R1561-TV
(Axle Repair Brg. Assy.)	• R1561-G
1991-1987 R & V Series w/9.50" Ring Gear:	
Seal	17053
Bearing	R1561-TV
(Axle Repair Brg. Assy.)	• R1561-G
1986-1981 9.50" Ring Gear:	
Seal	17053
Bearing	R1561-TV
(Axle Repair Brg. Assy.)	• R1561-G
1986-1973 10.50" Ring Gear:	
Seal	28426
(Speedi-Sleeve/Seal Kit)	28446
Bearing (Inner)	387-AS/382-A
Bearing (Outer)	BR38
(Set Components)	LM104949/LM104911
1972-1965 Spicer 60 Axle:	
Seal	23844
Bearing (Inner)	BR28678/BR28622
Bearing (Outer)	BR18690/BR18620
1972-1946 Exc. Spicer Axle:	
Seal	28426
(Speedi-Sleeve/Seal Kit)	28446
Bearing (Inner)	KD11786-Y
(Set Components)	388-A/BR382
Bearing (Outer)	KB11630-Z
(Set Components)	368-S/BR362
1947 250 Model w/H.D. Axle:	
Bearing (Inner)	388-A/383-A
1946 280 Model:	
Bearing (Inner)	395-S/394-A
Bearing (Outer)	KB11786-Y
(Set Components)	BR387/BR382
1946 250 Model Exc. H.D. Axle:	
Seal (Inner)	28464
Bearing (Inner)	368-A/362-A
Bearing (Outer)	359-S/354-A

PINION

FRONT AXLE

2003-2001 All:	
Seal	19428
(Speedi-Sleeve)	99193
Bearing (Front)	HM804846/HM804810
Bearing (Rear)	HM88649/HM88610
2000-1999 Silverado & Sierra:	
Seal	19428
(Speedi-Sleeve)	99193
Bearing (Front)	HM804846/HM804810
Bearing (Rear)	HM88649/HM88610

PINION (Cont.)

FRONT AXLE (Cont.)

2000-1988 K Series w/8,600 lb. G.V.W.:	
Seal	19428
(Speedi-Sleeve)	99193
Bearing (Front)	HM804846/HM804810
Bearing (Rear)	HM88649/HM88610
1991-1987 V Series:	
Seal	19277
(Speedi-Sleeve)	99193
Bearing (Front)	BR52
(Set Components)	M88048/M88010
Bearing (Rear)	M802048/M802011
1986-1977 4 W/D Exc. Spicer Axle:	
Seal	19277
(Speedi-Sleeve)	99193
Bearing (Front)	BR52
(Set Components)	M88048/M88010
Bearing (Rear)	M802048/M802011
1980-1960 4 W/D w/Spicer Axle:	
Seal	15788
(Speedi-Sleeve)	99155
Bearing (Front)	BR02872/BR02820
Bearing (Rear)	BR31594/BR31520
1959-1956 4 W/D FH035 Axle:	
Seal	25970
(Speedi-Sleeve)	99259
Bearing (Front)	MU5206UM26
Bearing (Rear)	A1011

REAR AXLE

2005-2003 4 W/S:	
Bearing (Front)	HM88542/HM88510
Bearing (Rear)	HM803146/HM803110
2005-2002 10.50" Ring Gear:	
Seal	23244
Bearing	[2] HM903249/HM903210
Bearing (Pilot)	R1581-TV
2005-1997 9.50" Ring Gear 2nd Design:	
Seal	20880
Bearing (Front)	HM88649/HM88610
Bearing (Rear)	HM804846/HM804810
2001-1997 10.50" Ring Gear 2nd Design:	
Seal	23244
Bearing (Front)	M802048/M802011
Bearing (Rear)	HM903249/HM903210
1997-1988 10.50" Ring Gear 1st Design w/Cooling Fins on Drums:	
Seal	21955
(Speedi-Sleeve)	99220
Bearing (Front)	M802048/M802011
Bearing (Pilot)	R1581-TV
Bearing (Rear)	HM903249/HM903210
1997-1981 9.50" Ring Gear 1st Design:	
Seal	19314
(Speedi-Sleeve)	99193
Bearing (Front)	HM88649/HM88610
Bearing (Rear)	HM804846/HM804810

(Continued)

(Cont.) -- CHEVROLET/GMC TRUCK 3/4 TON, 2500 (C SERIES), 2500 (K SERIES), 2500 (R SERIES), 2500 (V SERIES), AVALANCHE, SILVERADO/SIERRA, SUBURBAN/YUKON XL, C20/C25, K20/K25, P20/P25

MFG./YEAR	MODEL & LOCATION	PART NO.	MFG./YEAR	MODEL & LOCATION	PART NO.
PINION (Cont.)			PINION (Cont.)		
REAR AXLE (Cont.)			REAR AXLE (Cont.)		
1988-1986	C, K, R, & V Series w/10.50" Ring Gear 1st Design w/o Cooling Fins on Drums:		1967-1960	H052 & H072 Axles:	
	Seal	21955		Seal	25970
	Bearing (Front)	M802048/M802011		(Speedi-Sleeve)	99259
	Bearing (Pilot)	R1581-TV		Bearing (Front)	5310-WA
	Bearing (Rear)	HM803149/HM803110		Bearing (Rear)	M5205-UV
1985	C, K & P Series w/10.50" Ring Gear Exc. Dana Axle:		1959-1946	All:	
	Seal	21955		Seal	25970
	Bearing (Front)	M802048/M802011		(Speedi-Sleeve)	99259
	Bearing (Pilot)	DC57524		Seal (Felt)	528
	Bearing (Rear)	HM803149/HM803110		Bearing (Front)	A1011
1984-1973	10.50" Ring Gear:			Bearing (Rear)	MU5205UM26
	Seal	21955	1946-1939	250 Model w/H.D. Axle:	
	Bearing (Front)	M802048/M802011		Seal	13738
	Bearing (Pilot)	R1581-TV		(Speedi-Sleeve)	99138
	Bearing (Rear)	HM803149/HM803110		Bearing (Front)	BR44150/BR44348
1972-1968	H052 & H072 Axles:			Bearing (Rear)	RS5305-W
	Seal	25970	1942-1941	All:	
	(Speedi-Sleeve)	99259		Seal	15557
	Bearing (Front)	A1011		(Speedi-Sleeve)	99157
	Bearing (Rear)	M5205-UV			
1972-1967	Spicer 60 & 60-35 Axles:				
	Seal (.531" Width)	18888			
	(Speedi-Sleeve)	99187			
	Seal (.770" Width)	18891			
	(Speedi-Sleeve)	99187			
	Bearing (Front)	HM88542/HM88510			
	Bearing (Rear)	HM803146/HM803110			

CHEVROLET/GMC TRUCK 1 TON, 3500 (C SERIES), 3500 (K SERIES), 3500 (R SERIES), 3500 (V SERIES), C30/C35, D30/D35, K30/K35, P30/P35, SILVERADO/SIERRA

WHEEL FRONT (2 W/D)			WHEEL FRONT (2 W/D) (Cont.)		
2002-1991	C Series w/12,500 lb. Thru 15,000 lb. G.V.W. or 183" W.B.:		1999-1973	P Series w/(FS3) Option (I Beam Suspension):	
	Seal Kit	21294		Seal Kit	21294
	Bearing (Inner)	BR26884/BR26823		Bearing (Inner)	BR26884/BR26823
	Bearing (Outer)	15103-S/BR15243		Bearing (Outer)	15103-S/BR15243
2000-1991	C Series Exc. 12,500 lb. Thru 15,000 lb. G.V.W. or 183" W.B.:		1990-1973	P Series Exc. (FS3) Option (I Beam Suspension):	
	Seal	21756		Seal	21771
	Bearing (Inner)	BR35		Bearing (Inner)	BR35
	(Set Components)	LM501349/LM501310		(Set Components)	LM501349/LM501310
	Bearing (Outer)	15103-S/BR15243		Bearing (Outer)	15103-S/BR15243
1999-1991	P Series Exc. (FS3) Option (I Beam Suspension):		1990-1971	Exc. P Series:	
	Seal	21756		Seal	21771
	Bearing (Inner)	BR35		Bearing (Inner)	BR35
	(Set Components)	LM501349/LM501310		(Set Components)	LM501349/LM501310
	Bearing (Outer)	15103-S/BR15243		Bearing (Outer)	15103-S/BR15243
					(Continued)

• See page 256.

For all other in-text symbols, see page 6.

APPLICATIONS
 TRAILER, TAG & PUSHER AXLES
 FRONT AXLES
 DRIVE AXLES
 PINION SEALS
 CONMET®
 LIGHT TRUCK

CHEVROLET/GMC TRUCK 1 TON, 3500 (C SERIES), 3500 (K SERIES), 3500 (R SERIES), 3500 (V SERIES), C30/C35, D30/D35, K30/K35, P30/P35, SILVERADO/SIERRA -- (Cont.)

MFG./YEAR MODEL & LOCATION PART NO.

WHEEL FRONT (2 W/D) (Cont.)

1972-1971 P Series w/11,000 lb. Axle:		
Seal		21771
Bearing (Inner)	BR35	
(Set Components)	LM501349/LM501310	
Bearing (Outer)	BR24780/BR24720	
1972-1963 P Series Exc. 11,000 lb. Axle:		
Seal		21771
Bearing (Inner)	BR2777/BR2720	
Bearing (Outer)	BR3	
(Set Components)	M12649/M12610	
1970-1963 Exc. P Series:		
Seal		21771
Bearing (Inner)	BR2777/BR2720	
Bearing (Outer)	BR3	
(Set Components)	M12649/M12610	
1967 P Series w/11,000 lb. Axle:		
Seal		24920
Bearing (Inner)	BR25583/BR25519	
Bearing (Outer)	15103-S/BR15243	
1962-1960 Exc. P Series:		
Seal		20965
Bearing (Inner)	B48	
Bearing (Outer)	B47	
1962-1960 P Series:		
Seal (2.063" Shaft)		20669
Bearing (Inner)	B44	
Bearing (Outer)	B47	
1959-1953 All:		
Seal (2.063" Shaft)		20669
Bearing (Inner)	B44	
Bearing (Outer)	B45	

WHEEL FRONT (4 W/D)

2007-2001 Silverado & Sierra:		
Hub Assembly	BR930416	
2000-1990 K Series:		
Seal		31504
Hub Assembly	BR930406	
1991-1988 V Series:		
Seal		27452
Bearing (Inner)	387-A/382-A	
Bearing (Outer)	BR38	
(Set Components)	LM104949/LM104911	
1989-1988 K Series:		
Seal		31504
Hub Assembly	BR930406	
1987-1977 All:		
Seal		27452
Bearing (Inner)	387-AS/382-A	
Bearing (Outer)	BR38	
(Set Components)	LM104949/LM104911	
1959-1953 All:		
Seal (2.063" Shaft)		20669
Bearing (Inner)	B44	
Bearing (Outer)	B45	

AXLE SHAFT

2005-2001 Silverado & Sierra:		
Seal		16123
Bearing (L.H.)	B2010	
Bearing (R.H.)	B2610A	

MFG./YEAR MODEL & LOCATION PART NO.

WHEEL FRONT (4 W/D) (Cont.)

AXLE SHAFT (Cont.)		
2000-1997 K Series:		
Seal		16123
Bearing	BH78	
1996-1988 K Series Exc. Cab & Chas.:		
Seal		16116
Bearing (Inner)	B2610A	
Bearing (Outer)	B2410	
1991-1990 K Series w/Cab & Chas. Exc. H.D. (F44):		
Seal		16116
Bearing (Inner)	B2012	
Bearing (Outer)	B2410	
1991-1987 V Series:		
Seal		15692
1986-1977 All:		
Seal		15692
1959-1957 FH065 Axle:		
Seal		16650

SPINDLE HUB

1991-1977 Exc. '88 & Later K Series:		
Seal		711822
V-Ring		400659
Bearing	B2414	
Seal & Bearing Kit	BK3	

STEERING KNUCKLE

1991-1977 Exc. '88 & Later K Series:		
Seal (Lower)		14700
Seal (Upper)		16787
Bearing (Lower)	BR23100/BR23256	
1959-1957 FH065 Axle:		
Bearing	[2] BR41125/BR41286	

WHEEL REAR

2007-2001 Silverado & Sierra w/11.50" Ring Gear:		
Seal		28554
Bearing (Inner)	387-AS/382-A	
Bearing (Outer)	BR38	
(Set Components)	LM104949/LM104911	
2002-1991 C & K Series w/11.50" Ring Gear:		
Seal		31870
Bearing (Inner)	KD12051-Z	
(Set Components)	395-CS/394-CS	
Bearing (Outer)	KB11786-Y	
(Set Components)	BR387/BR382	
2000-1973 C, K, R & V Series w/10.50" Ring Gear:		
Seal		28426
Seal Kit		28446
Bearing (Inner)	387-AS/382-A	
Bearing (Outer)	BR38	
(Set Components)	LM104949/LM104911	
1999-1997 P Series w/4 Whl. Disc Brks.:		
Seal		31870
Bearing (Inner)	SET408	
(Set Components)	BR39590/BR39520	

(Continued)

• See page 256.

For all other in-text symbols, see page 6.

(Cont.) -- CHEVROLET/GMC TRUCK 1 TON, 3500 (C SERIES), 3500 (K SERIES), 3500 (R SERIES), 3500 (V SERIES), C30/C35, D30/D35, K30/K35, P30/P35, SILVERADO/SIERRA

MFG./YEAR	MODEL & LOCATION	PART NO.	MFG./YEAR	MODEL & LOCATION	PART NO.
WHEEL REAR (Cont.)			PINION (Cont.)		
1999-1973	P Series w/10.50" Ring Gear w/o Dana Axle & 4 Whl. Disc Brks.:		REAR AXLE		
	Seal	28426	2005-2001	Silverado & Sierra w/11.50" Ring Gear:	
	Seal Kit	28446		Seal	23244
	Bearing (Inner)	387-AS/382-A		Bearing (Front)	M802048/M802011
	Bearing (Outer)	BR38	2002-1997	11.50" Ring Gear Exc. Silverado & Sierra:	
	(Set Components)	LM104949/LM104911		Seal	25140
1996-1973	P Series w/4 Whl. Disc Brks.:			Bearing (Front)	M802048/M802011
	Seal	31870		Bearing (Rear)	HM807046/HM807010
	Bearing (Inner)	KD12051-Z	2000-1997	10.50" Ring Gear 2nd Design:	
	(Set Components)	395-CS/394-CS		Seal	23244
	Bearing (Outer)	KB11786-Y		Bearing (Front)	M802048/M802011
	(Set Components)	BR387/BR382		Bearing (Rear)	HM903249/HM903210
1991-1988	C & K Series w/9.50" Ring Gear:		1997-1989	10.50" Ring Gear 1st Design Exc. Dana:	
	Seal	17005		Seal	21955
	Bearing	R1561-TV		(Speedi-Sleeve)	99220
	(Axle Repair Brg. Assy.)	• R1561-G		Bearing (Front)	M802048/M802011
1972-1967	H110 Axle:			Bearing (Pilot)	R1581-TV
	Seal	31870		Bearing (Rear)	HM903249/HM903210
	Bearing (Inner)	KD12051-Z	1996-1989	C Series w/11.50" Ring Gear:	
	(Set Components)	395-CS/394-CS		Seal	25140
	Bearing (Outer)	KB11786-Y		(Speedi-Sleeve)	99250
	(Set Components)	BR387/BR382		Bearing (Front)	M802048/M802011
1972-1947	H052 & H072 Axles:			Bearing (Rear)	HM807046/HM807010
	Seal	28426	1995-1989	P Series w/11.50" Ring Gear & 4 Whl. Disc Brks. Exc. M.H.C.:	
	(Speedi-Sleeve/Seal Kit)	28446		Seal	25140
	Bearing (Inner)	KD11786-Y		(Speedi-Sleeve)	99250
	(Set Components)	388-A/BR382		Bearing (Front)	M802048/M802011
	Bearing (Outer)	KB11630-Z		Bearing (Rear)	HM807046/HM807010
	(Set Components)	368-S/BR362	1991	C Series w/12.00" Ring Gear & 4 Whl. Disc Brks.:	
PINION				Seal	21379
FRONT AXLE				(Speedi-Sleeve)	99212
2005-2001	Silverado & Sierra:			Bearing (Front)	BR44143/BR44348
	Seal	19428		Bearing (Pilot)	MU1305TM17
	Bearing (Front)	HM804846/HM804810		Bearing (Rear)	M903345/M903310
	Bearing (Rear)	HM88649/HM88610	1991-1988	C & K Series w/9.50" Ring Gear:	
2000-1988	K Series:			Seal	19314
	Seal	19428		(Speedi-Sleeve)	99193
	(Speedi-Sleeve)	99193		Bearing (Front)	HM88649/HM88610
	Bearing (Front)	HM804846/HM804810		Bearing (Rear)	HM804846/HM804810
	Bearing (Rear)	HM88649/HM88610	1991-1985	C, K, R & V Series w/10.50" Dana Axle:	
1991-1987	V Series:			Seal	18891
	Seal	18891		(Speedi-Sleeve)	99187
	(Speedi-Sleeve)	99187		Bearing (Front)	HM88542/HM88510
	Bearing (Front)	HM88542/HM88510		Bearing (Rear)	HM807040/HM807010
	Bearing (Rear)	HM803146/HM803110	1991-1982	P Series w/12.00" Ring Gear & 4 Whl. Disc Brks. Exc. M.H.C.:	
1986-1977	4 W/D:			Seal	21379
	Seal	18891		(Speedi-Sleeve)	99212
	(Speedi-Sleeve)	99187		Bearing (Front)	BR44143/BR44348
	Bearing (Front)	HM88542/HM88510		Bearing (Pilot)	MU1305TM17
	Bearing (Rear)	HM803146/HM803110		Bearing (Rear)	M903345/M903310
1959-1957	All:				(Continued)
	Seal	25970			
	(Speedi-Sleeve)	99259			
	Seal (Felt)	528			
	Bearing (Front)	A1011			
	Bearing (Rear)	MU5205UM26			

• See page 256.

For all other in-text symbols, see page 6.

APPLICATIONS

TRAILER, TAG & PUSHER AXLES

FRONT AXLES

DRIVE AXLES

PINION SEALS

CONMET®

LIGHT TRUCK

CHEVROLET/GMC TRUCK 1 TON, 3500 (C SERIES), 3500 (K SERIES), 3500 (R SERIES), 3500 (V SERIES), C30/C35, D30/D35, K30/K35, P30/P35, SILVERADO/SIERRA -- (Cont.)

MFG./YEAR	MODEL & LOCATION	PART NO.	MFG./YEAR	MODEL & LOCATION	PART NO.
PINION (Cont.)			PINION (Cont.)		
REAR AXLE (Cont.)			REAR AXLE (Cont.)		
1990-1973	M.H.C. & 4 Whl. Disc Brks.:		1973-1968	M.H.C. Exc. 4 Whl. Disc Brks.:	
Seal	18891	Seal	21955
(Speedi-Sleeve)	99187	Bearing (Front)	A1011
Bearing (Front)	HM88542/HM88510	Bearing (Rear)	HM803149/HM803110
Bearing (Rear)	HM807040/HM807010	1972-1966	P35 w/T150 Axle:	
1988-1986	C, K, P, R & V Series w/10.50" Ring Gear 1st Design w/o Dana Axle & P Series w/4 Whl. Disc Brks.:		Seal	25970
Seal	21955	(Speedi-Sleeve)	99259
Bearing (Front)	M802048/M802011	Bearing (Front)	HM804848/HM804810
Bearing (Pilot)	R1581-TV	Bearing (Pilot)	M5305-TV
Bearing (Rear)	HM803149/HM803110	Bearing (Rear)	55200-C/BR55437
1985	C, K & P Series w/10.50" Ring Gear Exc. Dana Axle:		1972-1961	H052 & H072 Axles:	
Seal	21955	Seal	25970
Bearing (Front)	M802048/M802011	(Speedi-Sleeve)	99259
Bearing (Pilot)	DC57524	Bearing (Front)	A1011
Bearing (Rear)	HM803149/HM803110	Bearing (Rear)	M5205-UV
1984-1973	C, K & P Series w/10.50" Ring Gear w/o Dana Axle & P Series w/4 Whl. Disc Brks.:		1960-1946	H052 & H072 Axles:	
Seal	21955	Seal	25970
Bearing (Front)	M802048/M802011	(Speedi-Sleeve)	99259
Bearing (Pilot)	R1581-TV	Seal (Felt)	528
Bearing (Rear)	HM803149/HM803110	Bearing (Front)	A1011
1984-1973	Spicer Axle w/10.50" Ring Gear Exc. P Series:		Bearing (Rear)	MU5205UM26
Seal	18891	1946-1939	Rockwell Standard 53611, 53617, 53657 & 53658 Axles:	
(Speedi-Sleeve)	99187	Seal	13738
Bearing (Front)	HM88542/HM88510	(Speedi-Sleeve)	99138
Bearing (Rear)	HM807040/HM807010	Bearing (Front)	BR44150/BR44348
1981-1946	H110 Axle:		Bearing (Pilot)	RS5305-W
Seal	25970	Bearing (Rear)	BR44150/BR44348
(Speedi-Sleeve)	99259			
Seal (Felt)	528			
Bearing (Front)	5310-WA			
Bearing (Rear)	MU1306UM23			

CHEVROLET/GMC TRUCK TILTMASER/TRANSMODE, TOPKICK/KODIAK, 1 1/2 TON, 2 TON, 2 1/2 TON, W SERIES, 40 SERIES/4500 SERIES, 50 SERIES/5500 SERIES, 60 SERIES/6500 SERIES, 70 SERIES/7500 SERIES

WHEEL FRONT		WHEEL FRONT (Cont.)			
2000-1997	9,000, 9,200, 10,000 & 11,000 lb. G.V.W.:	1999-1986	W4:		
Seal	21756	Seal	28325
Bearing (Inner)	BR35	Bearing (Inner)	BR32210
(Set Components)	LM501349/LM501310	Bearing (Outer)	BR32207
Bearing (Outer)	15103-S/BR15243	1996-1992	12,000 lb. Axle:	
2000-1997	15,000 lb. G.V.W.:		Scotseal Plus XL	29480
Seal Kit	21294	Bearing (Outer)	BR32208
Bearing (Inner)	BR26884/BR26823	1996-1990	11,000 lb. Axle:	
Bearing (Outer)	15103-S/BR15243	Scotseal Plus XL	29480
			Bearing (Outer)	BR33208
					(Continued)

• See page 256.

For all other in-text symbols, see page 6.

**(Cont.) -- CHEVROLET/GMC TRUCK TILTMASER/TRANSMODE,
TOPKICK/KODIAK, 1 1/2 TON, 2 TON, 2 1/2 TON, W SERIES, 40
SERIES/4500 SERIES, 50 SERIES/5500 SERIES, 60 SERIES/6500
SERIES, 70 SERIES/7500 SERIES**

MFG./YEAR	MODEL & LOCATION	PART NO.	MFG./YEAR	MODEL & LOCATION	PART NO.
WHEEL FRONT (Cont.)			WHEEL FRONT (Cont.)		
1993	9,000 lb. Axle:		1988-1973	F090 Axle:	
	Scotseal Plus XL	29480		Scotseal	32470
	Bearing (Inner)	33212-X		Bearing (Inner)	BR39581/BR39520
	Bearing (Outer)	BR33208		Bearing (Outer)	BR26878/BR26820
1993	16,000 lb. Axle w/Air Brks. w/o 20" Whls.:		1987	W6:	
	Scotseal	43764		Seal	29520
	Scotseal Plus XL	43761		Bearing (Inner)	BR47
	Bearing (Inner)	6461-A/BR6420		Bearing (Outer)	BR44
	Bearing (Outer)	SET424	1987-1986	W7H & W7T:	
	(Set Components)	555-S/552-A		Seal	47210
1993	16,000 lb. Axle w/Air Brks. & 20" Whls.:		1987-1984	W7 & W7M:	
	Scotseal	43764		Seal	33460
	Scotseal Plus XL	43761	1984-1973	F120 & F120D Axles:	
	Bearing (Inner)	6461-A/BR6420		Scotseal	36285
	Bearing (Outer)	557-S/552-A		Bearing (Inner)	SET412
1993-1991	12,000 lb. Axle w/Air Brks. (2nd Design); 14,500 lb. Axle:			(Set Components)	HM2 12047/HM2 12011
	Bearing (Inner)	JF7049A/7010		Bearing (Outer)	BR45282/BR45220
	Bearing (Outer)	JM205149AS/110	1978-1973	Transmode:	
	(Set Components)	JM205149AS/JM205110		Seal (Inner)	25515
1993-1990	8,000 lb. Axle:			Seal (Outer)	24888
	Scotseal Plus XL	23590		Bearing	BR23
	Bearing (Inner)	JM205149AS/110	1972-1967	F110, F120 & F120D Axles:	
	(Set Components)	JM205149AS/JM205110		Seal	36282
	Bearing (Outer)	BR32207		Scotseal	36285
1993-1990	11,000 lb. Axle; 12,000 lb. Axle w/Hyd. Brks.:			Bearing (Inner)	SET412
	Scotseal Plus XL	29480		(Set Components)	HM2 12047/HM2 12011
	Bearing (Inner)	33212-X		Bearing (Outer)	BR45282/BR45220
	Bearing (Outer)	BR33208	1972-1960	F090 Axle:	
1991	12,000 lb. Axle w/Air Brks. (1st Design):			Bearing (Inner)	BR39581/BR39520
	Scotseal Plus XL	29480		Bearing (Outer)	BR26878/BR26820
	Bearing (Inner)	33212-X	1971-1969	F040 Axle:	
	Bearing (Outer)	BR33208		Seal	21771
1990	14,000 lb. Axle w/Air Brks.:			Bearing (Inner)	BR2777/BR2720
	Bearing (Inner)	JF7049A/7010		Bearing (Outer)	BR3
	Bearing (Outer)	JM205149AS/110		(Set Components)	M12649/M12610
	(Set Components)	JM205149AS/JM205110	1968-1965	F040 Axle 2nd Design:	
1990-1985	F120 & F120D Axles:			Bearing (Inner)	BR25582/BR25520
	Scotseal	36358		Bearing (Outer)	BR3
	Bearing (Inner)	SET412		(Set Components)	M12649/M12610
	(Set Components)	HM2 12047/HM2 12011	1966-1962	FD070 & FHD070 Axles:	
	Bearing (Outer)	BR45282/BR45220		Bearing	[2] BR36690/BR36620
1990-1963	F050 & F055 Axles:		1966-1960	F150 Axle:	
	Seal	25028		Seal	40036
	(V-Ring)	400659		Scotseal	40040
	Bearing (Inner)	3578-A/BR3525		Bearing (Inner)	6386-A/BR6320
	Bearing (Outer)	15103-S/BR15243		Bearing (Outer)	BR537/532-A
1990-1960	F070, F070D & IFS70 Axles:		1966-1960	IFS90 Axle:	
	Seal	31203		Seal	32510
	Scotseal	31175		Scotseal	32470
	Bearing (Inner)	SET410		Bearing (Inner)	BR39581/BR39520
	(Set Components)	BR45284/BR45220		Bearing (Outer)	BR26878/BR26820
	Bearing (Outer)	BR2796/BR2720	1965	F050 & F055 Axles Exc. 5 Spoke Whls.:	
				Seal	25028
				Bearing (Inner)	3578-A/BR3525
				Bearing (Outer)	15103-S/BR15243

(Continued)

APPLICATIONS
 TRAILER, TAG & PUSHER AXLES
 FRONT AXLES
 DRIVE AXLES
 PINION SEALS
 CONMET®
 LIGHT TRUCK

CHEVROLET/GMC TRUCK TILTMASER/TRANSMODE, TOPKICK/KODIAK, 1 1/2 TON, 2 TON, 2 1/2 TON, W SERIES, 40 SERIES/4500 SERIES, 50 SERIES/5500 SERIES, 60 SERIES/6500 SERIES, 70 SERIES/7500 SERIES -- (Cont.)

MFG./YEAR	MODEL & LOCATION	PART NO.	MFG./YEAR	MODEL & LOCATION	PART NO.
WHEEL FRONT (Cont.)			WHEEL FRONT (Cont.)		
1965	F050 & F055 Axles w/5 Spoke Whls.:		1954-1952	FE900 Axle:	
	Seal	31203		Scotseal	35075
	Scotseal	31175		Bearing (Inner)	557-A/552-A
	Bearing (Inner)	3578-A/BR3525		Bearing (Outer)	SET406
	Bearing (Outer)	15103-S/BR15243		(Set Components)	BR3782/BR3720
1965-1963	F040 Axle 1st Design:		1954-1950	485F & 486F Axles:	
	Seal	21771		Seal	31158
	Bearing (Inner)	BR2777/BR2720		Bearing (Inner)	BR594/BR522
	Bearing (Outer)	BR3		1954-1950 585F & 586F Axles:	
	(Set Components)	M12649/M12610		Seal	32540
1965-1960	F110 Axle:			Scotseal	32470
	Seal	36282		Bearing (Inner)	BR539/532-A
	Scotseal	36285	1954-1947	F460, F462, F464 & F466 Axles:	
	Bearing (Inner)	SET412		Seal (2.250" Shaft)	22583
	(Set Components)	HM212047/HM212011		Seal (2.375" Shaft)	23779
	Bearing (Outer)	BR3779/BR3720	1950-1947	475F Axle:	
1965-1954	IFS050 & IFS055 Axles:			Bearing (Inner)	BR594/BR522
	Seal	24920	AXLE SHAFT		
	Bearing (Inner)	BR25582/BR25519	1966-1962	FD070 Axle:	
	Bearing (Outer)	15103-S/BR15243		Seal	18549
1962-1960	40 & 45 Series w/Lt. Duty Axles:			Seal Kit	18550
	Seal	20965	STEERING KNUCKLE		
	Bearing (Inner)	B48	1966-1962	FD070 & FHD070 Axles:	
	Bearing (Outer)	B47		Bearing	[2] BR43125/BR43312
1959-1956	27465 Axle:		WHEEL REAR		
	Seal	40036	2000-1997	15,000 lb. G.V.W.:	
	Scotseal	39380		Seal	31870
	Bearing (Inner)	BR6389/BR6320		Bearing (Inner)	KD12051-Z
	Bearing (Outer)	BR537/532-A		(Set Components)	395-CS/394-CS
1959-1955	F070 Axle:			Bearing (Outer)	KB11786-Y
	Seal	31158		(Set Components)	BR387/BR382
	Bearing (Outer)	BR2793/BR2720	1993-1991	Eaton 23070S, 23070T, 23105S, 26085P & 26085T Axles w/6.316" O.D.;	
1959-1955	F090 Axle:			Rockwell RS23160 Axle w/6.316" O.D.:	
	Scotseal	35066		Scotseal	47697
	Scotseal Plus XL	35058		Scotseal Plus XL	47692
	Scotseal Longlife	35103		Scotseal Longlife	47693
	Bearing (Inner)	BR39581/BR39520		Bearing (Inner)	SET403
	Bearing (Outer)	BR26878/BR26820		(Set Components)	594-A/592-A
1959-1955	FE900 Axle:			Bearing (Outer)	SET401
	Scotseal	35075		(Set Components)	BR580/BR572
	Bearing (Inner)	SET439	1993-1991	Eaton 23070S, 23070T, 23105S, 26085P & 26085T Axles w/6.326" O.D.:	
	(Set Components)	HM212049-X/HM212011		Scotseal Plus XL	47691
	Bearing (Outer)	SET406		Bearing (Inner)	SET403
	(Set Components)	BR3782/BR3720		(Set Components)	594-A/592-A
1959-1938	4100, 4400 & 4500 Series w/Lt. Duty Axles:			Bearing (Outer)	SET401
	Seal (2.063" Shaft)	20669		(Set Components)	BR580/BR572
	Bearing (Inner)	B44	1993-1990	Eaton 19050S, 19050T, 19055D, 19055S & 19055T Axles:	
	Bearing (Outer)	B45		Scotseal (5.506" O.D.)	38750
1955	F045 & F047 Axles:			Scotseal (5.696" O.D.)	38780
	Seal	25577		Scotseal Plus XL	38776
	Bearing (Inner)	BR3578/BR3525		Bearing (Inner)	SET411
1955-1954	6700 Series:			(Set Components)	BR47686/BR47620
	Seal	19938		Bearing (Outer)	SET408
	Bearing (Outer)	15103-S/BR15243		(Set Components)	BR39590/BR39520
1954-1953	GMC Axle:				(Continued)
	Bearing (Inner)	15103-S/BR15245			

• See page 256.

For all other in-text symbols, see page 6.

**(Cont.) -- CHEVROLET/GMC TRUCK TILTMMASTER/TRANSMODE,
TOPKICK/KODIAK, 1 1/2 TON, 2 TON, 2 1/2 TON, W SERIES, 40
SERIES/4500 SERIES, 50 SERIES/5500 SERIES, 60 SERIES/6500
SERIES, 70 SERIES/7500 SERIES**

MFG./YEAR	MODEL & LOCATION	PART NO.	MFG./YEAR	MODEL & LOCATION	PART NO.
WHEEL REAR (Cont.)			WHEEL REAR (Cont.)		
1993-1990	Eaton 21065D, 21065S, 21065T, 22065S, 22065T, 23070P & 23085C		1990-1976	Eaton 17101, 17121, 17201 & 17221	
	Axles:			Axles 2nd Design:	
	Scotseal (6.316" O.D.)	47697		Scotseal (5.506" O.D.)	38750
	Scotseal (6.326" O.D.)	47691		Scotseal (5.696" O.D.)	38780
	Scotseal Plus XL	47692		Scotseal Plus XL (5.696" O.D.)	38776
	Scotseal Longlife	47693		Bearing (Inner)	SET411
	Bearing (Inner)	SET403		(Set Components)	BR47686/BR47620
	(Set Components)	594-A/592-A		Bearing (Outer)	SET408
	Bearing (Outer)	SET401		(Set Components)	BR39590/BR39520
	(Set Components)	BR580/BR572	1989-1988	Eaton 22065S & 22065T Axles:	
1993-1988	Eaton 15040S & 15040T Axles:			Scotseal (6.006" O.D.)	47690
	Scotseal	39380		Scotseal (6.316" O.D.)	47697
	Bearing (Inner)	BR33287/BR33462		Scotseal Plus XL	47692
	Bearing (Outer)	BR3982/BR3920		Scotseal Longlife	47693
1990-1984	Eaton DS381, DT381, 23070S, 23070T, 23105S, 26085P, 26085S & 26085T			Bearing (Inner)	SET403
	Axles; Rockwell R170, RS21145, R23160 & RS23180 Axles:			(Set Components)	594-A/592-A
	Scotseal (6.006" O.D.)	47690		Bearing (Outer)	SET401
	Scotseal (6.316" O.D.)	47697		(Set Components)	BR580/BR572
	Scotseal Plus XL	47692	1989-1983	Eaton 19050S & 19050T Axles:	
	Scotseal Longlife	47693		Scotseal (5.506" O.D.)	38750
	Bearing (Inner)	SET403		Scotseal (5.696" O.D.)	38780
	(Set Components)	594-A/592-A		Scotseal Plus XL (5.696" O.D.)	38776
	Bearing (Outer)	SET401		Bearing (Inner)	SET411
	(Set Components)	BR580/BR572		(Set Components)	BR47686/BR47620
1990-1984	Eaton 22121, 22221, 23121 & 23221			Bearing (Outer)	SET408
	Axles:			(Set Components)	BR39590/BR39520
	Scotseal (6.006" O.D.)	47690	1989-1983	Eaton 21065S & 21065T Axles; Rockwell SQ100 Axle; Spicer M220S & M220T Axles:	
	Scotseal (6.316" O.D.)	47697		Scotseal	47690
	Scotseal Plus XL	47692		Bearing (Inner)	SET403
	Scotseal Longlife	47693		(Set Components)	594-A/592-A
	Bearing (Inner)	SET403		Bearing (Outer)	SET401
	(Set Components)	594-A/592-A		(Set Components)	BR580/BR572
	Bearing (Outer)	SET401	1988	Eaton 17401 Axle:	
	(Set Components)	BR580/BR572		Bearing (Inner)	SET411
1990-1982	GMC H110 & H135 Axles:			(Set Components)	BR47686/BR47620
	Scotseal	31307		Bearing (Outer)	SET408
	Bearing (Inner)	BR3984/BR3920		(Set Components)	BR39590/BR39520
	Bearing (Outer)	SET407	1988	Eaton 21421 Axle:	
	(Set Components)	BR28682/BR28622		Scotseal	47697
1990-1982	GMC H150 & T150 Axles:			Scotseal Plus XL	47692
	Scotseal	39420		Scotseal Longlife	47693
	Bearing (Inner)	BR33287/BR33462	1988-1983	Eaton 16121 Axle; Spicer G185S, G190S, M185T, M190S & M190T Axles:	
	Bearing (Outer)	BR3982/BR3920		Scotseal (3.875" Shaft)	38750
1990-1979	GMC H175 & T170 Axles; Rockwell L172 Axle; Spicer G175T Axle:			Scotseal (3.938" Shaft)	39420
	Scotseal	39420		Bearing (Inner)	SET411
	Bearing (Inner)	495-AX/BR493		(Set Components)	BR47686/BR47620
	Bearing (Outer)	SET408		Bearing (Outer)	SET408
	(Set Components)	BR39590/BR39520		(Set Components)	BR39590/BR39520
			1988-1983	Eaton 17421 & Rockwell Std. RS16140	
				Axles:	
				Scotseal	38750
				Bearing (Inner)	SET411
				(Set Components)	BR47686/BR47620
				Bearing (Outer)	SET408
				(Set Components)	BR39590/BR39520

(Continued)

APPLICATIONS

TRAILER, TAG & PUSH AXLES

FRONT AXLES

DRIVE AXLES

PINION SEALS

CONMET®

LIGHT TRUCK

**CHEVROLET/GMC TRUCK TILTMASER/TRANSMODE,
 TOPKICK/KODIAK, 1 1/2 TON, 2 TON, 2 1/2 TON, W SERIES, 40
 SERIES/4500 SERIES, 50 SERIES/5500 SERIES, 60 SERIES/6500
 SERIES, 70 SERIES/7500 SERIES -- (Cont.)**

MFG./YEAR	MODEL & LOCATION	PART NO.
WHEEL REAR (Cont.)		
1988-1976	Eaton DS341, DT341, 34DS, 34DT, 34D3 & 34RT Axles 2nd Design; GMC GM34000 Axle; Rockwell SLHD & SL100 Axles:	
	Scotseal	38750
	Bearing (Inner)	SET411
	(Set Components)	BR47686/BR47620
	Bearing (Outer)	SET408
	(Set Components)	BR39590/BR39520
1987	W6:	
	Seal (Inner)	37408
	Seal (Outer)	22284
	Bearing (Inner)	BR32215
	Bearing (Outer)	BR32213
1987-1986	W4:	
	Seal (Inner)	31490
	Seal (Outer)	19333
	Bearing (Inner)	BR29586/BR29520
	Bearing (Outer)	BR28680/BR28622
1987-1986	W7H & W7T:	
	Seal (Inner)	46060
	Seal (Outer)	30771
1987-1984	W7 & W7M:	
	Bearing (Outer)	BR32215
1987-1984	Spicer 70 Axle:	
	Seal	28426
	(Speedi-Sleeve/Seal Kit)	28446
	Bearing (Inner)	387-AS/382-A
	Bearing (Outer)	BR38
	(Set Components)	LM104949/LM104911
1987-1983	Rockwell Std. SQDD & SQHD Axles Exc. Cast Whls.:	
	Scotseal	47690
	Bearing (Inner)	SET404
	(Set Components)	598-A/592-A
	Bearing (Outer)	SET401
	(Set Components)	BR580/BR572
1987-1983	Rockwell Std. SQDD & SQHD Axles w/Cast Whls.:	
	Scotseal	47690
	Bearing (Inner)	SET403
	(Set Components)	594-A/592-A
	Bearing (Outer)	SET401
	(Set Components)	BR580/BR572
1987-1979	Eaton 15040S, 15040T & 15101 Axles:	
	Seal	41550
	Scotseal (3.875" Shaft)	38750
	Scotseal (3.938" Shaft)	39420
	Bearing (Inner)	BR33287/BR33462
	Bearing (Outer)	BR3982/BR3920
1983	GMC H172 Axle:	
	Seal	39385
1983-1979	Eaton 22121, 22221, 23121 & 23221 Axles Exc. Cast Whls.:	
	Scotseal	47690
	Bearing (Inner)	SET404
	(Set Components)	598-A/592-A
	Bearing (Outer)	SET401
	(Set Components)	BR580/BR572

MFG./YEAR	MODEL & LOCATION	PART NO.
WHEEL REAR (Cont.)		
1983-1972	Eaton 22121, 22221, 23121 & 23221 Axles w/Cast Whls.:	
	Scotseal	47690
	Bearing (Inner)	SET403
	(Set Components)	594-A/592-A
	Bearing (Outer)	SET401
	(Set Components)	BR580/BR572
1982-1979	Eaton 18100, 18121 & 18200 Axles Exc. Cast Whls.:	
	Scotseal	47690
	Bearing (Inner)	SET404
	(Set Components)	598-A/592-A
	Bearing (Outer)	BR575/BR572
1982-1979	Eaton 18100, 18121 & 18200 Axles w/Cast Whls.:	
	Scotseal	47690
	Bearing (Inner)	SET403
	(Set Components)	594-A/592-A
	Bearing (Outer)	BR575/BR572
1982-1977	Rockwell Std. SQDD & SQHD Axles w/Cast Whls.:	
	Scotseal	48000
	Scotseal Plus XL	48002
	Bearing (Inner)	SET403
	(Set Components)	594-A/592-A
	Bearing (Outer)	SET401
	(Set Components)	BR580/BR572
1982-1973	GMC T185 Axle:	
	Scotseal	38750
	Bearing (Inner)	SET411
	(Set Components)	BR47686/BR47620
	Bearing (Outer)	SET408
	(Set Components)	BR39590/BR39520
1982-1955	Rockwell Std. SQDD & SQHD Axles Exc. Cast Whls.:	
	Scotseal	48000
	Scotseal Plus XL	48002
	Bearing (Inner)	SET404
	(Set Components)	598-A/592-A
	Bearing (Outer)	SET401
	(Set Components)	BR580/BR572
1981-1980	Rockwell Std. F106 Axle:	
	Scotseal	34387
	Scotseal Plus XL	34384
	Bearing (Inner)	BR33287/BR33462
	Bearing (Outer)	BR3982/BR3920
1981-1979	Eaton 16244 Axle:	
	Seal	41550
	Scotseal	42550
	Bearing (Inner)	495-AX/BR493
	Bearing (Outer)	SET408
	(Set Components)	BR39590/BR39520
1981-1973	GMC H135 Axle:	
	Seal	34700
	Bearing (Inner)	KD12051-Z
	(Set Components)	395-CS/394-CS
	Bearing (Outer)	KB11786-Y
	(Set Components)	BR387/BR382

(Continued)

• See page 256.

For all other in-text symbols, see page 6.

**(Cont.) -- CHEVROLET/GMC TRUCK TILTMASER/TRANSMODE,
TOPKICK/KODIAK, 1 1/2 TON, 2 TON, 2 1/2 TON, W SERIES, 40
SERIES/4500 SERIES, 50 SERIES/5500 SERIES, 60 SERIES/6500
SERIES, 70 SERIES/7500 SERIES**

MFG./YEAR	MODEL & LOCATION	PART NO.	MFG./YEAR	MODEL & LOCATION	PART NO.
WHEEL REAR (Cont.)			WHEEL REAR (Cont.)		
1981-1967	GMC H110 Axle:		1978-1973	GMC H130 Axle:	
	Seal	31870		Seal	34985
	Bearing (Inner)	KD12051-Z		Bearing (Inner)	KD12051-Z
	(Set Components)	395-CS/394-CS		(Set Components)	395-CS/394-CS
	Bearing (Outer)	KB11786-Y		Bearing (Outer)	KB11786-Y
	(Set Components)	BR387/BR382		(Set Components)	BR387/BR382
1981-1966	GMC H150 & T150 Axles w/15" X 5" Brks.:		1978-1967	Eaton 18100 & 18200 Axles w/Cast Whls.:	
	Scotseal	39420		Scotseal	45160
	Bearing (Inner)	BR33287/BR33472		Scotseal Plus XL	45157
	Bearing (Outer)	BR3982/BR3925		Bearing (Inner)	SET403
1981-1960	GMC T170 w/Air Brks., H170 & H172 Axles:			(Set Components)	594-A/592-A
	Seal	41550		Bearing (Outer)	BR575/BR572
	Scotseal	42550	1976-1967	Eaton 1st Design 18100 & 18200 Axles Exc. Cast Whls.:	
	Bearing (Inner)	495-AX/BR493		Seal	43820
	Bearing (Outer)	SET408		Scotseal	43860
	(Set Components)	BR39590/BR39520		Bearing (Inner)	BR594/592-A
1981-1960	GMC T170 Axle w/Hyd. Brks.:			Bearing (Outer)	BR575/BR572
	Seal	41550	1976-1967	Eaton 1st Design 17100, 17200 & 34DS Axles:	
	Scotseal	42550		Seal	41550
	Bearing (Inner)	495-AX/BR493		Bearing (Inner)	SET411
	Bearing (Outer)	BR39590/BR39521		(Set Components)	BR47686/BR47620
1981-1960	GMC H150 & T150 Axles w/15" X 4" Brks.:			Bearing (Outer)	SET408
	Seal Kit	162		(Set Components)	BR39590/BR39520
	Seal Only	36314	1975-1955	Eaton 32M, 34M & 34DTA Axles; GMC GM34000 Axle; Rockwell SLDD & SLHD Axles:	
	Bearing (Inner)	B12235-YK		Seal Kit	1214
	Bearing (Outer)	KA11950-Z		Seal (w/Sleeve)	40360
1978-1976	Eaton 2nd Design 18100 & 18200 Axles Exc. Cast Whls. & Whl. Locks:			Scotseal	38750
	Scotseal	47690		Bearing (Inner)	SET411
	Bearing (Inner)	BR598/592-A		(Set Components)	BR47686/BR47620
	Bearing (Outer)	BR575/BR572		Bearing (Outer)	SET408
1978-1976	Eaton 2nd Design 18100 & 18200 Axles w/Whl. Locks Exc. Cast Whls.:			(Set Components)	BR39590/BR39520
	Scotseal	47690	1972-1967	Eaton 19100 & 19200 Axles:	
	Bearing (Inner)	BR594/592-A		Seal	43820
	Bearing (Outer)	BR575/BR572		Scotseal	43860
1978-1973	Eaton 19200, 19201 & 23221 Axles Exc. Cast Whls.:			Bearing (Inner)	BR594/592-A
	Scotseal	47690		Bearing (Outer)	SET401
	Bearing (Inner)	BR594/592-A		(Set Components)	BR580/BR572
	Bearing (Outer)	SET401	1972-1960	Eaton 1618, 1619, 16121, 16221, 16802 & 16803 Axles:	
	(Set Components)	BR580/BR572		Scotseal (3.875" Shaft)	38750
1978-1973	Eaton 19200, 19201 & 23221 Axles w/Cast Whls.:			Scotseal (3.938" Shaft)	39420
	Scotseal	45160		Bearing (Inner)	495-AX/BR493
	Scotseal Plus XL	45157		Bearing (Outer)	SET408
	Bearing (Inner)	SET403		(Set Components)	BR39590/BR39520
	(Set Components)	594-A/592-A	1972-1960	Rockwell Std. H162 & H362 Axles:	
	Bearing (Outer)	SET401		Scotseal (3.875" Shaft)	38750
	(Set Components)	BR580/BR572		Scotseal (3.938" Shaft)	39420
1978-1973	Transmode:			Bearing (Inner)	495-AX/BR493
	Seal	21771		Bearing (Outer)	SET408
	Bearing (Inner)	BR35		(Set Components)	BR39590/BR39520
	(Set Components)	LM501349/LM501310		(Continued)	
	Bearing (Outer)	15103-S/BR15243			

APPLICATIONS
 TRAILER, TAG & PUSH AXLES
 FRONT AXLES
 DRIVE AXLES
 PINION SEALS
 CONMET®
 LIGHT TRUCK

• See page 256.

For all other in-text symbols, see page 6.

CHEVROLET/GMC TRUCK TILTMASER/TRANSMODE, TOPKICK/KODIAK, 1 1/2 TON, 2 TON, 2 1/2 TON, W SERIES, 40 SERIES/4500 SERIES, 50 SERIES/5500 SERIES, 60 SERIES/6500 SERIES, 70 SERIES/7500 SERIES -- (Cont.)

MFG./YEAR	MODEL & LOCATION	PART NO.	MFG./YEAR	MODEL & LOCATION	PART NO.
WHEEL REAR (Cont.)			WHEEL REAR (Cont.)		
1972-1960	GMC H130 & H135 Axles:		1966-1950	Eaton 1880, 1890, 1891, 1895, 1896, 18500, 18501, 18600, 18601, 18700, 18701, 18802, 18803, 2695, 2696 & 8803	
	Seal	34985		Axles:	
	Bearing (Inner)	KD12051-Z		Seal	43820
	(Set Components)	395-CS/394-CS		Scotseal	43860
	Bearing (Outer)	KB11786-Y		Bearing (Inner)	BR598/592-A
	(Set Components)	BR387/BR382		Bearing (Outer)	BR575/BR572
1972-1960	Rockwell Std. G161 & G361 Axles:		1959-1955	Rockwell Std. SW456 & SFDD4600	
	Seal Kit	162		Axles w/Cast Whls.:	
	Seal Only	36314		Seal	50148
	Bearing (Inner)	B12235-YK		Scotseal	48884
	Bearing (Outer)	KA11950-Z		Bearing (Inner)	BR760/BR752
1972-1955	Eaton 1790, 1791, 1792, 1793, 17500, 17501, 17800, 17801, 2613 & 2614			Bearing (Outer)	BR749/BR742
	Axles; Rockwell L161, L162, L351, L362 & L371 Axles:		1959-1955	Rockwell Std. SW456 & SFDD4600	
	Seal Kit	1214		Axles Exc. Cast Whls.:	
	Seal (w/Sleeve)	40360		Bearing (Inner)	BR760/BR752
	Scotseal	38750		Bearing (Outer)	BR749/BR742
	Bearing (Inner)	SET411	1959-1954	Eaton 22M Axle:	
	(Set Components)	BR47686/BR47620		Seal Kit	162
	Bearing (Outer)	SET408		Seal Only	36314
	(Set Components)	BR39590/BR39520		Bearing (Inner)	B12235-YK
1972-1955	Rockwell Std. H140, H340, H350 & H370 Axles:			Bearing (Outer)	KA11950-Z
	Scotseal (3.875" Shaft)	38750	1959-1952	Rockwell Std. SW3010, SW3020 & SFDD3020 Axles:	
	Scotseal (3.938" Shaft)	39420		Scotseal (Inner)	40136
	Bearing (Inner)	495-AX/BR493		Scotseal Plus XL	40129
	Bearing (Outer)	SET408		Bearing (Inner)	BR575/BR572
	(Set Components)	BR39590/BR39520		Bearing (Outer)	BR575/BR572
1966-1960	Eaton DSP50 & SP50 Axles:		1959-1952	Eaton 22501 Axle & Rockwell U200	
	Scotseal	38750		Axle:	
	Bearing (Inner)	495-AX/BR493		Seal	50148
	Bearing (Outer)	SET408		Scotseal	48884
	(Set Components)	BR39590/BR39520		Bearing (Inner)	BR760/BR752
1966-1960	Eaton 30DP & 30DS Axles:			Bearing (Outer)	BR749/BR742
	Seal Kit	1214	1959-1952	Rockwell Std. QT140, QT230, QT340, Q380, Q390, R100, R140, R200, R230, RT240, RT340 & R390 Axles:	
	Seal (w/Sleeve)	40360		Scotseal	48000
	Scotseal	38750		Scotseal Plus XL	48002
	Bearing (Inner)	495-AX/BR493		Bearing (Inner)	SET404
	Bearing (Outer)	SET408		(Set Components)	598-A/592-A
	(Set Components)	BR39590/BR39520		Bearing (Outer)	SET401
1966-1955	Eaton 17100, 17101, 17121, 17200, 17201 & 17221 Axles:			(Set Components)	BR580/BR572
	Seal Kit	1214	1959-1947	Eaton 28M Axle:	
	Seal (w/Sleeve)	40360		Scotseal (3.875" Shaft)	38750
	Scotseal	38750		Scotseal (3.938" Shaft)	39420
	Bearing (Inner)	SET411		Bearing (Inner)	495-AX/BR493
	(Set Components)	BR47686/BR47620		Bearing (Outer)	SET408
	Bearing (Outer)	SET408		(Set Components)	BR39590/BR39520
	(Set Components)	BR39590/BR39520	1957	Rockwell Std. SFHD Axle:	
1966-1952	Eaton 1911, 19501, 19502 & 19503			Seal Kit	1214
	Axles:			Seal (w/Sleeve)	40360
	Seal	46324		Scotseal	38750
	Scotseal	45160		Bearing (Inner)	495-AX/BR493
	Scotseal Plus XL	45157		Bearing (Outer)	SET408
	Bearing (Inner)	BR594/592-A		(Set Components)	BR39590/BR39520
	Bearing (Outer)	SET401			
	(Set Components)	BR580/BR572			

(Continued)

• See page 256.

For all other in-text symbols, see page 6.

**(Cont.) -- CHEVROLET/GMC TRUCK TILTMMASTER/TRANSMODE,
TOPKICK/KODIAK, 1 1/2 TON, 2 TON, 2 1/2 TON, W SERIES, 40
SERIES/4500 SERIES, 50 SERIES/5500 SERIES, 60 SERIES/6500
SERIES, 70 SERIES/7500 SERIES**

MFG./YEAR	MODEL & LOCATION	PART NO.	MFG./YEAR	MODEL & LOCATION	PART NO.
WHEEL REAR (Cont.)			WHEEL REAR (Cont.)		
1956-1955	Eaton 16600 & 16601 Axles; Rockwell H100, H130 & H300 Axles:		1950-1947	Rockwell Std. 55417-H Axle:	
	Seal Kit	1214		Seal (Inner)	35012
	Seal (w/Sleeve)	40360		Bearing (Inner)	BR33281/BR33462
	Scotseal	38750		Bearing (Outer)	BR3982/BR3920
	Bearing (Inner)	495-AX/BR493	1948-1947	Eaton 16500 Axle:	
	Bearing (Outer)	SET408		Seal (Inner)	35012
	(Set Components)	BR39590/BR39520		Bearing (Inner)	BR33281/BR33462
1954-1951	Eaton 16500, 16600 & 16601; Rockwell H100 & H300 Axles:			Bearing (Outer)	BR3982/BR3920
	Scotseal	39420	PINION		
	Bearing (Inner)	495-AX/BR493	FRONT AXLE		
	Bearing (Outer)	SET408	1986-1983	Coleman SD9 & SD12 Axles:	
	(Set Components)	BR39590/BR39520		Seal	23806
1954-1950	Eaton 1715, 1716, 1790, 1791, 1792, 1793, 1795, 1796, 17500, 17501, 17600, 17601, 17700, 17701, 2613, 2614, 2615 & 2616 Axles:			(Speedi-Sleeve)	99237
	Seal (w/Sleeve)	40036		Bearing (Front)	HM903249-A/HM903210
	Bearing (Inner)	SET411		Bearing (Pilot)	MU5205UM26
	(Set Components)	BR47686/BR47620		Bearing (Rear)	HM903249-A/HM903210
	Bearing (Outer)	SET408	1966-1965	GMC FHD070 Axle:	
	(Set Components)	BR39590/BR39520		Seal	22425
1954-1950	Rockwell Std. SLDD Axle:			(Speedi-Sleeve)	99225
	Seal (w/Sleeve)	40036		Bearing (Front)	HM903247/HM903216
	Bearing (Inner)	SET411		Bearing (Pilot)	MU1305TM17
	(Set Components)	BR47686/BR47620		Bearing (Rear)	HM903247/HM903216
	Bearing (Outer)	SET408	1966-1962	GMC FD070 & FH070 Axles:	
	(Set Components)	BR39590/BR39520		Seal	22425
1953-1951	Eaton 22M Axle:			(Speedi-Sleeve)	99225
	Seal	31870		Bearing (Front)	BR53176/BR53387
	Bearing (Inner)	B12235-YK		Bearing (Pilot)	MU1305TM17
	Bearing (Outer)	KA11950-Z		Bearing (Rear)	BR53176/BR53387
1951-1950	Eaton 1350 Axle; GMC H125 Axle & Rockwell E301 Axles:		REAR AXLE		
	Seal (Inner)	35012	2000-1997	15,000 lb. G.V.W.:	
	Bearing (Inner)	BR33281/BR33462		Seal	25140
	Bearing (Outer)	BR45290/BR45220		(Speedi-Sleeve)	99250
1950-1949	Eaton 16500 Axle:			Bearing (Front)	M802048/011
	Scotseal	39420		Bearing (Rear)	HM807046/HM807010
	Bearing (Inner)	495-AX/BR493	1993-1991	Eaton 23070P Axle:	
	Bearing (Outer)	SET408		Seal	30153
	(Set Components)	BR39590/BR39520		(Speedi-Sleeve)	99300
1950-1947	Eaton 16600 & 16601 Axles:			Bearing (Front)	72188-C/BR72487
	Scotseal	39420		Bearing (Pilot)	MU5207-UM
	Bearing (Inner)	495-AX/BR493		Bearing (Rear)	78215-C/BR78551
	Bearing (Outer)	SET408	1993-1990	Eaton 19055D, 19055S & 21065D Axles:	
	(Set Components)	BR39590/BR39520		Seal	26378
1950-1947	Eaton 1780, 2627 & 17000 Axles:			(Speedi-Sleeve)	99262
	Bearing (Inner)	BR566/BR563		(Speedi-Sleeve/Seal Kit)	480262
	Bearing (Outer)	BR3982/BR3920		Bearing (Front)	55200-C/BR55437
1950-1947	Rockwell Std. H100 & H300 Axles:			Bearing (Pilot)	MUS1308TM1
	Seal	39423		Bearing (Rear)	78215-C/BR78551
	Bearing (Inner)	495-AX/BR493	1993-1990	Eaton 19055T Axle:	
	Bearing (Outer)	SET408		Seal	26378
	(Set Components)	BR39590/BR39520		(Speedi-Sleeve)	99262
				(Speedi-Sleeve/Seal Kit)	480262
				Bearing (Front)	55200-C/BR55437
				Bearing (Pilot)	MUS1307-UM
				Bearing (Rear)	72200-C/BR72487

(Continued)

APPLI CATIONS

TRAILER, TAG & PUSHER AXLES

FRONT AXLES

DRIVE AXLES

PINION SEALS

CONMET®

LIGHT TRUCK

CHEVROLET/GMC TRUCK TILTMASER/TRANSMODE, TOPKICK/KODIAK, 1 1/2 TON, 2 TON, 2 1/2 TON, W SERIES, 40 SERIES/4500 SERIES, 50 SERIES/5500 SERIES, 60 SERIES/6500 SERIES, 70 SERIES/7500 SERIES -- (Cont.)

MFG./YEAR	MODEL & LOCATION	PART NO.
PINION (Cont.)		
REAR AXLE (Cont.)		
1993-1990 Eaton 23085C Axle:		
	Seal	30153
	(Speedi-Sleeve)	99300
	Bearing (Front)	72188-C/BR72487
	Bearing (Pilot)	MUS1308TM1
	Bearing (Rear)	78215-C/BR78551
1993-1989 Eaton 21065T & 22065T Axles:		
	Seal	26378
	(Speedi-Sleeve)	99262
	(Speedi-Sleeve/Seal Kit)	480262
	Bearing (Front)	55200-C/BR55437
	Bearing (Pilot)	MUS1307-UM
	Bearing (Rear)	72200-C/BR72487
1993-1988 Eaton 26085P & 26085T Axles:		
	Seal	30153
	(Speedi-Sleeve)	99300
	Bearing (Front)	72188-C/BR72487
	Bearing (Pilot)	MUS1308TM1
	Bearing (Rear)	78215-C/BR78551
1993-1987 Eaton 23070S Axle:		
	Seal	30153
	(Speedi-Sleeve)	99300
	Bearing (Front)	72188-C/BR72487
	Bearing (Pilot)	MUS1308TM1
	Bearing (Rear)	H913842/H913810
1993-1987 Rockwell Std. RS23160 Axle:		
	Seal	32410
	(Speedi-Sleeve)	99325
	Bearing (Front)	HM813843/HM813810
	Bearing (Rear)	BR9278/BR9220
1993-1986 Eaton 23070T Axle:		
	Seal	30153
	(Speedi-Sleeve)	99300
	Bearing (Front)	72188-C/BR72487
	Bearing (Pilot)	MUS1308TM1
	Bearing (Rear)	78215-C/BR78551
1993-1986 Eaton 23105S Axle:		
	Seal	30153
	(Speedi-Sleeve)	99300
	Bearing (Front)	HM813841/HM813810
	Bearing (Rear)	H914841/811
1993-1985 Eaton 22065S Axle:		
	Seal	26378
	(Speedi-Sleeve)	99262
	(Speedi-Sleeve/Seal Kit)	480262
	Bearing (Front)	55200-C/BR55437
	Bearing (Pilot)	MUS1308TM1
	Bearing (Rear)	78215-C/BR78551
1993-1984 Eaton 19050S Axle:		
	Seal	26378
	(Speedi-Sleeve)	99262
	(Speedi-Sleeve/Seal Kit)	480262
	Bearing (Front)	HM903249/HM903210
	Bearing (Rear)	72200-C/BR72487

MFG./YEAR	MODEL & LOCATION	PART NO.
PINION (Cont.)		
REAR AXLE (Cont.)		
1993-1984 Eaton 21065S Axle:		
	Seal	26378
	(Speedi-Sleeve)	99262
	(Speedi-Sleeve/Seal Kit)	480262
	Bearing (Front)	55200-C/BR55437
	Bearing (Pilot)	MU1305UM18
	Bearing (Rear)	78215-C/BR78551
1993-1983 Eaton 15040S Axle:		
	Seal	26378
	(Speedi-Sleeve)	99262
	(Speedi-Sleeve/Seal Kit)	480262
	Bearing (Front)	HM903249/HM903210
	Bearing (Rear)	55175-C/BR55437
1993-1983 Eaton 15040T Axle:		
	Seal	26358
	(Speedi-Sleeve)	99262
	Bearing (Front)	HM903249/HM903210
	Bearing (Pilot)	MU1305TM17
	Bearing (Rear)	HM903249/HM903210
1993-1983 Eaton 19050T Axle:		
	Seal	26378
	(Speedi-Sleeve)	99262
	(Speedi-Sleeve/Seal Kit)	480262
	Bearing (Front)	55175-C/BR55437
	Bearing (Pilot)	MUS1307-UM
	Bearing (Rear)	55175-C/BR55437
1990-1984 Rockwell Std. R170 Axle:		
	Seal	30144
	(Speedi-Sleeve)	99300
	Bearing (Front)	SET418
	(Set Components)	H715334/H715311
	Bearing (Pilot)	MU1309TM19
	Bearing (Rear)	SET419
	(Set Components)	H715343/H715311
1988-1983 Spicer M185T, M190T, M220S & M220T Axles:		
	Seal (Outer)	30100
	(Speedi-Sleeve) (Outer)	99300
	Bearing (Front)	55200-C/BR55437
	Bearing (Pilot)	MUS1308TM1
	Bearing (Rear)	72225-C/BR72487
1988-1983 Spicer G175S, G175T, G185S & G190S Axles:		
	Seal (Outer)	30100
	(Speedi-Sleeve) (Outer)	99300
	Bearing (Front)	55200-C/BR55437
	Bearing (Pilot)	MUS1307TM1
	Bearing (Rear)	55200-C/BR55437

(Continued)

• See page 256.

For all other in-text symbols, see page 6.

**(Cont.) -- CHEVROLET/GMC TRUCK TILTMMASTER/TRANSMODE,
TOPKICK/KODIAK, 1 1/2 TON, 2 TON, 2 1/2 TON, W SERIES, 40
SERIES/4500 SERIES, 50 SERIES/5500 SERIES, 60 SERIES/6500
SERIES, 70 SERIES/7500 SERIES**

MFG./YEAR	MODEL & LOCATION	PART NO.	MFG./YEAR	MODEL & LOCATION	PART NO.
PINION (Cont.)			PINION (Cont.)		
REAR AXLE (Cont.)			REAR AXLE (Cont.)		
1988-1983	Eaton DS341, DT341, DS381 & DT381		1988-1973	Eaton 23121, 23221 & 23321 Axles:	
	Axles:		Seal	29471	
	Seal (Front)	29292	(Speedi-Sleeve)	99293	
	(Speedi-Sleeve) (Front)	99293	Bearing (Front)	72212-C/BR72487	
	(Speedi-Sleeve) /Seal Kit (Front)	480294	Bearing (Pilot)	MUS1307TM1	
	Seal (Rear)	26239	Bearing (Rear)	78215-C/BR78551	
	(Speedi-Sleeve) (Rear)	99262	1988-1967	Eaton 17100, 17101, 17121, 17200, 17201, 17221, 18100, 18101, 18121, 18200, 18221 & 21121 Axles:	
	Bearing (Front)	HM807049/HM807010	Seal	26239	
	Bearing (Pilot)	MUS1307TM1	(Speedi-Sleeve)	99262	
	Bearing (Rear)	72218-C/BR72487	(Speedi-Sleeve/Seal Kit)	480260	
1988-1983	Eaton RS341, RT341, RS381, RT381 & 17421 Axles:		Seal (w/Retainer)	26378	
	Seal	26378	(Speedi-Sleeve) (w/Retainer)	99262	
	(Speedi-Sleeve)	99262	(Speedi-Sleeve) /Seal Kit (w/Retaine)	480262	
	(Speedi-Sleeve/Seal Kit)	480262	Bearing (Front)	55200-C/BR55437	
	Bearing (Front)	55200-C/BR55437	Bearing (Pilot)	MUS1307TM1	
	Bearing (Pilot)	MUS1307TM1	Bearing (Rear)	55200-C/BR55437	
	Bearing (Rear)	55200-C/BR55437	1987	W6:	
1988-1983	Rockwell Std. SL100, SQ100 & SQR100		Seal	23484	
	Axles:		1987-1986	W4:	
	Seal	30007	Seal	22878	
	(Speedi-Sleeve)	99300	1987-1986	Eaton 15101 Axle:	
	Bearing (Front)	72212-C/BR72487	Seal	22653	
	Bearing (Pilot)	RU1570-UM	(Speedi-Sleeve)	99225	
	Bearing (Rear)	72212-C/BR72487	Bearing (Front)	HM903249/HM903210	
1988-1979	GMC T175 Axle:		Bearing (Pilot)	MU1305TM17	
	Seal	26378	Bearing (Rear)	HM903249/HM903210	
	(Speedi-Sleeve)	99262	1987-1984	Spicer 70HD Axle:	
	(Speedi-Sleeve/Seal Kit)	480262	Seal	18891	
	Bearing (Front)	55175-C/BR55437	(Speedi-Sleeve)	99187	
	Bearing (Pilot)	MUS1307TM1	Bearing (Front)	HM88542/HM88510	
	Bearing (Rear)	55175-C/BR55437	Bearing (Rear)	HM807040/HM807010	
1988-1979	Eaton 21065T, 21221 & 22065T Axles:		1987-1984	W7 Exc. 2 Spd. Axle:	
	Seal	26378	Seal	26695	
	(Speedi-Sleeve)	99262	(Speedi-Sleeve)	99266	
	(Speedi-Sleeve/Seal Kit)	480262	1987-1979	GMC H175 Axle:	
	Bearing (Front)	55200-C/BR55437	Seal	25106	
	Bearing (Pilot)	MUS1307TM1	(Speedi-Sleeve)	99250	
	Bearing (Rear)	72200-C/BR72487	Bearing (Front)	HM804846/HM804810	
1988-1979	Rockwell Std. H172 & L172 Axles:		Bearing (Pilot)	RU1570-UM	
	Seal	25106	Bearing (Rear)	55200-C/BR55437	
	(Speedi-Sleeve)	99250	1987-1967	Rockwell Std. SLHD & SQHD Axles Frt.	
	Bearing (Front)	HM804846/HM804810	Unit:		
	Bearing (Pilot)	RU1570-UM	Seal (Front)	29288	
	Bearing (Rear)	55200-C/BR55437	(Speedi-Sleeve) (Front)	99293	
1988-1973	Eaton 16121 Axle:		Seal (Rear)	27295	
	Seal	26358	(Speedi-Sleeve) (Rear)	99274	
	(Speedi-Sleeve)	99262	(Speedi-Sleeve) /Seal Kit (Rear)	480273	
	Bearing (Front)	HM903249/HM903210	Bearing (Front)	72200-C/BR72487	
	Bearing (Pilot)	MUS1307TM1	Bearing (Pilot)	RU1570-UM	
	Bearing (Rear)	HM903249/HM903210	Bearing (Rear)	72200-C/BR72487	

(Continued)

A
P
P
L
I
C
A
T
I
O
N
S

T
R
A
I
L
E
R
T
A
G
&
P
U
S
H
E
R
A
X
L
E
S

F
R
O
N
T
A
X
L
E
S

D
R
I
V
E
A
X
L
E
S

P
I
N
I
O
N
S
E
A
L
S

C
O
N
M
E
T[®]

L
I
G
H
T
T
R
U
C
K

CHEVROLET/GMC TRUCK TILTMASER/TRANSMODE, TOPKICK/KODIAK, 1 1/2 TON, 2 TON, 2 1/2 TON, W SERIES, 40 SERIES/4500 SERIES, 50 SERIES/5500 SERIES, 60 SERIES/6500 SERIES, 70 SERIES/7500 SERIES -- (Cont.)

MFG./YEAR	MODEL & LOCATION	PART NO.
PINION (Cont.)		
REAR AXLE (Cont.)		
1987-1967	Rockwell Std. SLHD & SQHD Axles Rr. Unit:	
	Seal	27452
	(Speedi-Sleeve)	99274
	(Speedi-Sleeve/Seal Kit)	480275
	Bearing (Front)	72188-C/BR72487
	Bearing (Pilot)	RU1570-UM
	Bearing (Rear)	72200-C/BR72487
1987-1960	Eaton 34DS, 34DT, 34DTA, 34D3 & 38DPA Axles:	
	Seal	26239
	(Speedi-Sleeve)	99262
	Seal (w/Retainer)	26378
	(Speedi-Sleeve) (w/Retainer)	99262
	(Speedi-Sleeve) /Seal Kit (w/Retaine	480262
	Bearing (Front)	72200-C/BR72487
	Bearing (Pilot)	MUS1307TM1
	Bearing (Rear)	72200-C/BR72487
1987-1955	Eaton 34RS, 34RT, 34RTA, 34R3 & 38RPA Axles:	
	Seal	26239
	(Speedi-Sleeve)	99262
	Seal (w/Retainer)	26378
	(Speedi-Sleeve) (w/Retainer)	99262
	(Speedi-Sleeve) /Seal Kit (w/Retaine	480262
	Bearing (Front)	55200-C/BR55437
	Bearing (Pilot)	MUS1307TM1
	Bearing (Rear)	55200-C/BR55437
1986-1983	Eaton 16244 Axle:	
	Seal	26378
	(Speedi-Sleeve)	99262
	(Speedi-Sleeve/Seal Kit)	480262
	Bearing (Front)	55175-C/BR55437
	Bearing (Pilot)	MUS1307TM1
	Bearing (Rear)	55175-C/BR55437
1986-1983	GMC T150 Axle:	
	Seal	22653
	(Speedi-Sleeve)	99225
	Bearing (Front)	HM903249/HM903210
	Bearing (Pilot)	MU1305TM17
	Bearing (Rear)	HM903249/HM903210
1986-1982	GMC H150 Axle w/1.625" Pinion Sh.:	
	Seal (2.250" Shaft)	22619
	(Speedi-Sleeve) (2.250" Shaft)	99225
	Seal (2.598" Shaft)	25970
	(Speedi-Sleeve) (2.598" Shaft)	99259
	Bearing (Front)	HM803146/HM803110
	Bearing (Pilot)	MU5206UM26
	Bearing (Rear)	HM803146/HM803110

MFG./YEAR	MODEL & LOCATION	PART NO.
PINION (Cont.)		
REAR AXLE (Cont.)		
1986-1982	GMC H150 Axle w/1.750" Pinion Sh.:	
	Seal (2.250" Shaft)	22619
	(Speedi-Sleeve) (2.250" Shaft)	99225
	Seal (2.598" Shaft)	25970
	(Speedi-Sleeve) (2.598" Shaft)	99259
	Bearing (Front)	HM803149/HM803110
	Bearing (Pilot)	MU5206UM26
	Bearing (Rear)	HM803149/HM803110
1986-1982	GMC H110 Axle:	
	Seal	21379
	(Speedi-Sleeve)	99212
	Bearing (Front)	BR44143/BR44348
	Bearing (Pilot)	MU1305TM17
	Bearing (Rear)	M903345/M903310
1986-1982	GMC H135 Axle:	
	Seal	21379
	(Speedi-Sleeve)	99212
	Bearing (Front)	HM803146/HM803110
	Bearing (Pilot)	MU1305TM17
	Bearing (Rear)	HM803146/HM803110
1984-1977	GMC GM34000 Axle Frt. Unit:	
	Seal (Front)	26652
	(Speedi-Sleeve)	99266
	Seal (Rear)	23435
	(Speedi-Sleeve)	99235
1984-1977	GMC GM34000 Axle Rr. Unit:	
	Seal	26695
	(Speedi-Sleeve)	99266
1982-1981	Rockwell Std. F106 Axle:	
	Seal	22619
	(Speedi-Sleeve)	99225
	Bearing (Front)	HM803149/HM803110
	Bearing (Pilot)	MU1305UM18
	Bearing (Rear)	JM511946/JM511910
1982-1979	Eaton 16244 Axle:	
	Seal	26378
	(Speedi-Sleeve)	99262
	(Speedi-Sleeve/Seal Kit)	480262
	Bearing (Front)	55200-C/BR55437
	Bearing (Pilot)	MUS1307TM1
	Bearing (Rear)	55200-C/BR55437
1982-1966	GMC T150, T170 & T185 Axles:	
	Seal	25990
	(Speedi-Sleeve)	99259
	Bearing (Front)	HM804848/HM804810
	Bearing (Pilot)	M5305-TV
	Bearing (Rear)	55200-C/BR55437
1981-1967	GMC H135, H150 & H170 Axles:	
	Seal	25970
	(Speedi-Sleeve)	99259
	Bearing (Front)	A1011
	Bearing (Rear)	MU5206UM26
1981-1967	GMC H110 Axle:	
	Seal	25970
	(Speedi-Sleeve)	99259
	Bearing (Front)	5310-WA
	Bearing (Rear)	MU1306UM23

(Continued)

• See page 256.

For all other in-text symbols, see page 6.

**(Cont.) -- CHEVROLET/GMC TRUCK TILTMMASTER/TRANSMODE,
TOPKICK/KODIAK, 1 1/2 TON, 2 TON, 2 1/2 TON, W SERIES, 40
SERIES/4500 SERIES, 50 SERIES/5500 SERIES, 60 SERIES/6500
SERIES, 70 SERIES/7500 SERIES**

MFG./YEAR	MODEL & LOCATION	PART NO.	MFG./YEAR	MODEL & LOCATION	PART NO.
PINION (Cont.)			PINION (Cont.)		
REAR AXLE (Cont.)			REAR AXLE (Cont.)		
1979-1957	Rockwell Std. H362 & L361 Axles:		1972-1966	Rockwell Std. H162 Axle 2nd Design:	
	Seal	27461		Seal	27461
	(Speedi-Sleeve)	99274		(Speedi-Sleeve)	99274
	(Speedi-Sleeve/Seal Kit)	480275		(Speedi-Sleeve/Seal Kit)	480275
1979-1957	Rockwell Std. L362 Axle:			Bearing (Front)	55187-C/BR55437
	Seal	27601		Bearing (Pilot)	RU1570-UM
	(Speedi-Sleeve)	99274		Bearing (Rear)	55200-C/BR55437
	(Speedi-Sleeve/Seal Kit)	480278	1972-1965	Eaton 16121 & 16221 Axles:	
	Bearing (Front)	HM807046/HM807010		Seal	26186
	Bearing (Rear)	HM813844/HM813810		(Speedi-Sleeve)	99262
1978-1973	Transmode:			Bearing (Front)	HM903249/HM903210
	Seal	16364		Bearing (Pilot)	MUS1307TM1
	(Speedi-Sleeve)	99162		Bearing (Rear)	HM903249/HM903210
	Bearing (Front)	BR5	1972-1955	Rockwell Std. H340 & G361 Axles:	
	(Set Components)	LM48548/LM48510		Seal	23841
	Bearing (Rear)	LM806349-C/LM806310		(Speedi-Sleeve)	99237
1978-1967	Eaton 19201 Axle:			Bearing (Front)	HM803145/HM803110
	Seal	26239		Bearing (Rear)	HM807046/HM807010
	(Speedi-Sleeve)	99262	1972-1955	GMC H150 & H170 Axles:	
	(Speedi-Sleeve/Seal Kit)	480260		Seal	25970
	Bearing (Front)	72212-C/BR72487		(Speedi-Sleeve)	99259
	Bearing (Pilot)	MUS1308TM1		Bearing (Front)	A1011
	Bearing (Rear)	72212-C/BR72487		Bearing (Rear)	MR5206-UV
1978-1959	Eaton 30DP, 30DS & 30DSC Axles:		1972-1955	Rockwell Std. L162 & QT140 Axles:	
	Seal	26239		Seal	27461
	(Speedi-Sleeve)	99262		(Speedi-Sleeve)	99274
	(Speedi-Sleeve/Seal Kit)	480260		(Speedi-Sleeve/Seal Kit)	480275
	Bearing (Front)	55200-C/BR55437		Bearing (Front)	BR66212/BR66462
	Bearing (Pilot)	MUS1307TM1		Bearing (Pilot)	MU1307-TM
	Bearing (Rear)	55200-C/BR55437		Bearing (Rear)	72225-C/BR72487
1978-1959	Eaton 30RP, 30RS & 30RSC Axles:		1966-1965	Rockwell Std. R100 & R140 Axles:	
	Seal (3.505" O.D.)	26186		Seal	27461
	(Speedi-Sleeve) (3.505" O.D.)	99262		(Speedi-Sleeve)	99274
	Seal (3.628" O.D.)	26239		(Speedi-Sleeve/Seal Kit)	480275
	(Speedi-Sleeve) (3.628" O.D.)	99262		Bearing (Front)	SET418
	(Speedi-Sleeve/Seal Kit)	480260		(Set Components)	H715334/H715311
	Bearing (Front)	HM903249/HM903210		Bearing (Pilot)	MU1308-TM
	Bearing (Pilot)	MUS1307TM1		Bearing (Rear)	SET419
	Bearing (Rear)	HM903249/HM903210		(Set Components)	H715343/H715311
1972-1967	Eaton 19100 Axle:		1966-1960	Rockwell Std. SLHD & SQHD Axles Frt.	
	Seal	26239		Unit:	
	(Speedi-Sleeve)	99262		Seal (Front)	29288
	(Speedi-Sleeve/Seal Kit)	480260		(Speedi-Sleeve)	99293
	Bearing (Front)	72212-C/BR72487		(Speedi-Sleeve/Seal Kit)	480293
	Bearing (Pilot)	MU1309-TM		Seal (Rear)	27295
	Bearing (Rear)	72212-C/BR72487		(Speedi-Sleeve)	99274
1972-1966	Rockwell Std. H140 & G161 Axles 2nd Design:			Bearing (Front)	72200-C/BR72487
	Seal	23695		Bearing (Pilot)	MU1306UM23
	(Speedi-Sleeve)	99237		Bearing (Rear)	72200-C/BR72487
	Bearing (Front)	55176-C/BR55443			(Continued)
	Bearing (Pilot)	RU1570-UM			
	Bearing (Rear)	55187-C/BR55443			

APPLICATIONS
 TRAILER, TAG & PUSHER AXLES
 FRONT AXLES
 DRIVE AXLES
 PINION SEALS
 CONMET®
 LIGHT TRUCK

CHEVROLET/GMC TRUCK TILTMASER/TRANSMODE, TOPKICK/KODIAK, 1 1/2 TON, 2 TON, 2 1/2 TON, W SERIES, 40 SERIES/4500 SERIES, 50 SERIES/5500 SERIES, 60 SERIES/6500 SERIES, 70 SERIES/7500 SERIES -- (Cont.)

MFG./YEAR	MODEL & LOCATION	PART NO.
PINION (Cont.)		
REAR AXLE (Cont.)		
1966-1960	Rockwell Std. SLHD & SQHD Axles Rr. Unit:	
	Seal	27452
	(Speedi-Sleeve)	99274
	(Speedi-Sleeve/Seal Kit)	480275
	Bearing (Front)	72188-C/BR72487
	Bearing (Pilot)	MU1306UM23
	Bearing (Rear)	72188-C/BR72487
1966-1959	Eaton 32M & 34M Axles Frt. Unit:	
	Seal	23652
	(Speedi-Sleeve)	99237
	Bearing (Front)	55175-C/BR55437
	Bearing (Pilot)	MUS1307TM1
	Bearing (Rear)	55175-C/BR55437
1966-1959	Eaton 32M & 34M Axles Rr. Unit:	
	Seal	26239
	(Speedi-Sleeve)	99262
	(Speedi-Sleeve/Seal Kit)	480260
	Bearing (Front)	55200-C/BR55437
	Bearing (Pilot)	MUS1307TM1
	Bearing (Rear)	55200-C/BR55437
1966-1957	Eaton 1910 & 1911 Axles:	
	Seal	26239
	(Speedi-Sleeve)	99262
	(Speedi-Sleeve/Seal Kit)	480260
	Bearing (Front)	78215-C/BR78551
	Bearing (Pilot)	MU1309-TM
	Bearing (Rear)	78215-C/BR78551
1966-1955	Rockwell Std. H100, H140 & G161 Axles 1st Design:	
	Seal	23695
	(Speedi-Sleeve)	99237
	Bearing (Front)	55176-C/BR55443
	Bearing (Pilot)	MU1306UM23
	Bearing (Rear)	55187-C/BR55443
1966-1955	Rockwell Std. H162 Axle 1st Design:	
	Seal	27461
	(Speedi-Sleeve)	99274
	(Speedi-Sleeve/Seal Kit)	480275
	Bearing (Front)	55187-C/BR55437
	Bearing (Pilot)	MU1306UM23
	Bearing (Rear)	55200-C/BR55437
1966-1955	Eaton 1618, 1619, 16802, 16803 & 6803 Axles:	
	Seal (3.505" O.D.)	26186
	(Speedi-Sleeve)	99262
	Seal (3.628" O.D.)	26239
	(Speedi-Sleeve)	99262
	(Speedi-Sleeve/Seal Kit)	480260
	Bearing (Front)	HM903249/HM903210
	Bearing (Pilot)	MUS1307TM1
	Bearing (Rear)	HM903249/HM903210

MFG./YEAR	MODEL & LOCATION	PART NO.
PINION (Cont.)		
REAR AXLE (Cont.)		
1966-1955	Rockwell Std. L161 Axle:	
	Seal	27461
	(Speedi-Sleeve)	99274
	(Speedi-Sleeve/Seal Kit)	480275
	Bearing (Front)	55187-C/BR55437
1966-1952	Rockwell Std. QT230, R200, RT240 & U200 Axles:	
	Seal	27601
	(Speedi-Sleeve)	99274
	(Speedi-Sleeve/Seal Kit)	480278
	Bearing (Front)	HM807046/HM807010
	Bearing (Rear)	SET420
	(Set Components)	H715345/H715311
1966-1952	Rockwell Std. SFDD3020, SLDD & SQDD Axles Frt. Unit:	
	Seal (Front)	29292
	(Speedi-Sleeve) (Front)	99293
	Seal (Rear)	27558
	(Speedi-Sleeve) (Rear)	99274
	(Speedi-Sleeve) / Seal Kit (Rear)	480273
	Bearing (Front)	BR497/BR493
	Bearing (Pilot)	MR1212-EX
	Bearing (Rear)	BR42350/BR42584
1966-1952	Rockwell Std. SFDD3020, SLDD & SQDD Axles Rr. Unit:	
	Seal	27558
	(Speedi-Sleeve)	99274
	(Speedi-Sleeve/Seal Kit)	480273
	Bearing (Front)	BR497/BR493
	Bearing (Pilot)	MR1212-EX
	Bearing (Rear)	BR42350/BR42584
1966-1950	Eaton 17000, 17001, 17500, 17501, 17800, 17801, 18500, 18501, 18502, 18503, 18802 & 18803 Axles:	
	Seal	26239
	(Speedi-Sleeve)	99262
	(Speedi-Sleeve/Seal Kit)	480260
	Bearing (Front)	55200-C/BR55437
	Bearing (Pilot)	MUS1307TM1
	Bearing (Rear)	55200-C/BR55437
1966-1950	Eaton 1792, 1793, 1890 & 1891 Axles:	
	Seal	26239
	(Speedi-Sleeve)	99262
	(Speedi-Sleeve/Seal Kit)	480260
	Bearing (Front)	72212-C/BR72487
	Bearing (Rear)	72212-C/BR72487
1966-1947	Eaton 19501, 19502, 19503, 19515 & 20500 Axles:	
	Seal	26239
	(Speedi-Sleeve)	99262
	(Speedi-Sleeve/Seal Kit)	480260
	Bearing (Front)	72212-C/BR72487
	Bearing (Pilot)	MUS1308TM1
	Bearing (Rear)	72212-C/BR72487

(Continued)

**(Cont.) -- CHEVROLET/GMC TRUCK TILTMMASTER/TRANSMODE,
TOPKICK/KODIAK, 1 1/2 TON, 2 TON, 2 1/2 TON, W SERIES, 40
SERIES/4500 SERIES, 50 SERIES/5500 SERIES, 60 SERIES/6500
SERIES, 70 SERIES/7500 SERIES**

MFG./YEAR	MODEL & LOCATION	PART NO.	MFG./YEAR	MODEL & LOCATION	PART NO.
PINION (Cont.)			PINION (Cont.)		
REAR AXLE (Cont.)			REAR AXLE (Cont.)		
1966-1947 Eaton 1780, 1790, 1791 & 1880 Axles:			1965-1950 Eaton 28M Axle Rr. Unit:		
	Seal	26239		Seal	23755
	(Speedi-Sleeve)	99262		(Speedi-Sleeve)	99237
	(Speedi-Sleeve/Seal Kit)	480260		Bearing (Front)	55175-C/BR55437
	Bearing (Front)	55200-C/BR55437		Bearing (Pilot)	MU5206UM26
	Bearing (Pilot)	MUS1307TM1		Bearing (Rear)	55175-C/BR55437
	Bearing (Rear)	55200-C/BR55437	1964-1955 Rockwell Std. R100 & R140 Axles:		
1965-1960 GMC H130 Axle:				Seal	27461
	Seal	25970		(Speedi-Sleeve)	99274
	(Speedi-Sleeve)	99259		(Speedi-Sleeve/Seal Kit)	480275
	Bearing (Front)	5310-WA		Bearing (Pilot)	MU1308-TM
	Bearing (Rear)	M5205-UV	1959-1956 Rockwell Std. R390 Axle:		
1965-1956 Rockwell Std. SFDD & SFDD4600 Axles:				Bearing (Rear)	SET420
	Seal	30057		(Set Components)	H715345/H715311
	(Speedi-Sleeve)	99300	1959-1956 Rockwell Std. Q380 & Q390 Axles:		
	(Speedi-Sleeve/Seal Kit)	480303		Bearing (Rear)	SET419
	Bearing (Front)	BR497/BR493		(Set Components)	H715343/H715311
	Bearing (Pilot)	MR1213-TV	1959-1956 Rockwell Std. E350 Axle:		
	Bearing (Rear)	BR42350/BR42584		Seal	22619
1965-1955 Eaton 7801, 8802 & 8803 Axles:				(Speedi-Sleeve)	99225
	Seal	26239		Bearing (Front)	HM803145/HM803110
	(Speedi-Sleeve)	99262		Bearing (Rear)	HM807046/HM807010
	(Speedi-Sleeve/Seal Kit)	480260	1959-1951 Eaton 22M Axle Frt. Unit:		
	Bearing (Front)	55200-C/BR55437		Seal (Front)	23652
	Bearing (Pilot)	MUS1307TM1		(Speedi-Sleeve) (Front)	99237
	Bearing (Rear)	55200-C/BR55437		Seal (Rear)	22424
1965-1955 GMC T150 Axle:				(Speedi-Sleeve) (Rear)	99225
	Seal	25970		Bearing (Front)	BR53177/BR53375
	(Speedi-Sleeve)	99259		Bearing (Pilot)	MU5205UM26
	Bearing (Front)	A1011		Bearing (Rear)	BR53177/BR53375
	Bearing (Rear)	MR5206-UV	1959-1951 Eaton 22M Axle Rr. Unit:		
1965-1952 Rockwell Std. SW3020 & SW456 Axles Frt. Unit:				Seal	23755
	Seal (Front)	30007		(Speedi-Sleeve)	99237
	(Speedi-Sleeve) (Front)	99300		Bearing (Front)	BR53177/BR53375
	Seal (Rear)	17523		Bearing (Pilot)	MU5205UM26
	(Speedi-Sleeve) (Rear)	99174		Bearing (Rear)	BR53177/BR53375
	Bearing (Front)	72218-C/BR72487	1959-1950 Eaton 2615, 2616, 2695 & 2696 Axles:		
	Bearing (Rear)	72200-C/BR72487		Seal	26239
1965-1952 Rockwell Std. SW3020 & SW456 Axles Rr. Unit:				(Speedi-Sleeve)	99262
	Seal	17484		Bearing (Front)	BR59175/BR59412
	(Speedi-Sleeve)	99174		Bearing (Rear)	BR639/BR632
	Bearing (Front)	72218-C/BR72487	1957 Rockwell Std. QT340 Axle:		
	Bearing (Rear)	72200-C/BR72487		Seal	27601
1965-1950 Eaton 28M Axle Frt. Unit:				(Speedi-Sleeve)	99274
	Seal (Front)	23652		(Speedi-Sleeve/Seal Kit)	480278
	(Speedi-Sleeve) (Front)	99237		Bearing (Front)	HM807046/HM807010
	Seal (Rear)	22424		Bearing (Rear)	HM813844/HM813810
	(Speedi-Sleeve) (Rear)	99225	1957 Rockwell Std. RT340 Axle:		
	Bearing (Front)	BR53177/BR53375		Seal	27601
	Bearing (Pilot)	MU5206UM26		(Speedi-Sleeve)	99274
	Bearing (Rear)	BR53177/BR53375		(Speedi-Sleeve/Seal Kit)	480278
				Bearing (Front)	HM807046/HM807010
				Bearing (Rear)	SET420
				(Set Components)	H715345/H715311

(Continued)

• See page 256.

For all other in-text symbols, see page 6.

APPLICATIONS
 TRAILER, TAG & PUSHER AXLES
 FRONT AXLES
 DRIVE AXLES
 PINION SEALS
 CONMET®
 LIGHT TRUCK

CHEVROLET/GMC TRUCK TILTMASER/TRANSMODE, TOPKICK/KODIAK, 1 1/2 TON, 2 TON, 2 1/2 TON, W SERIES, 40 SERIES/4500 SERIES, 50 SERIES/5500 SERIES, 60 SERIES/6500 SERIES, 70 SERIES/7500 SERIES -- (Cont.)

MFG./YEAR	MODEL & LOCATION	PART NO.
PINION (Cont.)		
REAR AXLE (Cont.)		
1957	Rockwell Std. SFHD Axle Frt. Unit:	
	Seal (Front)	23695
	(Speedi-Sleeve) (Front)	99237
	Seal (Rear)	22448
	(Speedi-Sleeve) (Rear)	99225
	Bearing (Front)	BR53176/BR53387
	Bearing (Pilot)	MU1305TM17
	Bearing (Rear)	BR53176/BR53387
1957	Rockwell Std. SFHD Axle Rr. Unit:	
	Seal	22425
	(Speedi-Sleeve)	99225
	Bearing (Front)	BR53176/BR53387
	Bearing (Pilot)	MU1305TM17
	Bearing (Rear)	BR53176/BR53387
1957-1956	Rockwell Std. H370 Axle:	
	Bearing (Rear)	BR65225/BR65500
1957-1956	Rockwell Std. L351 Axle:	
	Seal	27601
	(Speedi-Sleeve)	99274
	(Speedi-Sleeve/Seal Kit)	480278
	Bearing (Front)	HM807040/HM807010
1957-1956	Rockwell Std. L371 Axle:	
	Seal	27601
	(Speedi-Sleeve)	99274
	(Speedi-Sleeve/Seal Kit)	480278
	Bearing (Front)	HM807040/HM807010
1956-1955	Eaton 22501 Axle:	
	Seal	29292
	(Speedi-Sleeve)	99293
	Bearing (Front)	78215-C/BR78551
	Bearing (Pilot)	MU1309-TM
	Bearing (Rear)	78215-C/BR78551
1956-1950	Eaton 16600 & 16601 Axles:	
	Seal	23755
	(Speedi-Sleeve)	99237
	Bearing (Front)	BR59175/BR59412
	Bearing (Rear)	BR65237/BR65500
1955	Rockwell Std. QT230 Axle:	
	Seal	27601
	(Speedi-Sleeve)	99274
	(Speedi-Sleeve/Seal Kit)	480278
1955-1947	Rockwell Std. H300 Axle:	
	Seal	23841
	(Speedi-Sleeve)	99237
	Bearing (Rear)	BR39580/BR39520
1955-1947	Eaton 2613 & 2614 Axles:	
	Seal	26239
	(Speedi-Sleeve)	99262
	Bearing (Front)	BR49576/BR49520
	Bearing (Rear)	558-A/553-X
1954-1952	Rockwell Std. SW3010 Axle Frt. Unit:	
	Seal (Front)	19970
	(Speedi-Sleeve) (Front)	99199
	Seal (Rear)	17484
	(Speedi-Sleeve) (Rear)	99174
	Bearing (Front)	72212-C/BR72487

MFG./YEAR	MODEL & LOCATION	PART NO.
PINION (Cont.)		
REAR AXLE (Cont.)		
1954-1952	Rockwell Std. SW3010 Axle Rr. Unit:	
	Seal	17484
	(Speedi-Sleeve)	99174
	Bearing (Rear)	72200-C/BR72487
1954-1952	Rockwell Std. SD3010 & SD3020 Axles:	
	Seal	29292
	(Speedi-Sleeve)	99293
	Bearing (Front)	BR566/BR563
	Bearing (Rear)	BR3975/BR3920
1954-1947	Eaton 16500 & 16501 Axles:	
	Seal	23755
	(Speedi-Sleeve)	99237
	Bearing (Front)	BR53176/BR53375
	Bearing (Pilot)	MUS1307TM1
	Bearing (Rear)	BR53176/BR53375
1951-1950	Eaton 1715 & 1716 Axles:	
	Seal	26239
	(Speedi-Sleeve)	99262
	Bearing (Front)	72212-C/BR72487
	Bearing (Pilot)	MU1307-TM
	Bearing (Rear)	72212-C/BR72487
1951-1950	Eaton 1211, 1300 & 1350 Axles:	
	Seal	20098
	(Speedi-Sleeve)	99199
	Bearing (Front)	BR53176/BR53375
	Bearing (Pilot)	MU1305TM17
	Bearing (Rear)	BR53176/BR53375
1951-1950	Eaton 17600, 17601, 18600 & 18601 Axles:	
	Seal	26239
	(Speedi-Sleeve)	99262
	Bearing (Front)	BR59175/BR59412
1951-1950	Eaton 17700, 17701, 18700 & 18701 Axles:	
	Seal	26239
	(Speedi-Sleeve)	99262
	Bearing (Front)	HM807040/HM807010
	Bearing (Rear)	SET419
	(Set Components)	H715343/H715311
1951-1950	Rockwell Std. E301 Axle:	
	Seal	22619
	(Speedi-Sleeve)	99225
1951-1950	Eaton 1795, 1796, 1895 & 1896 Axles:	
	Seal	26239
	(Speedi-Sleeve)	99262
	Bearing (Front)	HM911242/HM911210
	Bearing (Pilot)	MUS1308TM1
	Bearing (Rear)	HM911242/HM911210
1951-1947	Rockwell Std. 55417-H Axle:	
	Seal	15039
	(Speedi-Sleeve)	99149
	Bearing (Pilot)	MU1306UM23

(Continued)

• See page 256.

For all other in-text symbols, see page 6.

**(Cont.) -- CHEVROLET/GMC TRUCK TILTMMASTER/TRANSMODE,
TOPKICK/KODIAK, 1 1/2 TON, 2 TON, 2 1/2 TON, W SERIES, 40
SERIES/4500 SERIES, 50 SERIES/5500 SERIES, 60 SERIES/6500
SERIES, 70 SERIES/7500 SERIES**

MFG./YEAR	MODEL & LOCATION	PART NO.	MFG./YEAR	MODEL & LOCATION	PART NO.
PINION (Cont.) REAR AXLE (Cont.)			PINION (Cont.) REAR AXLE (Cont.)		
1951-1947	Rockwell Std. H100 Axle:		1950-1947	Eaton 2627 Axle:	
	Seal	23695		Seal	26239
	(Speedi-Sleeve)	99237		(Speedi-Sleeve)	99262
	Bearing (Front)	55176-C/BR55443		Bearing (Rear)	BR621/BR612
	Bearing (Pilot)	MU1306UM23			
	Bearing (Rear)	55187-C/BR55443			

CHRYSLER TRUCK ASPEN

WHEEL FRONT	
2007	All:
	Hub Assembly
	BR930523
WHEEL REAR	
2007	All:
	Bearing
	F391315

DODGE TRUCK D-50 PICKUP, POWER RAM 50, RAIDER, RAM 50

WHEEL FRONT (2 W/D)	
1993-1979	All:
	Seal
	19605
	Bearing (Inner)
	BR5
	(Set Components)
	LM48548/LM48510
	Bearing (Outer)
	BR3
	(Set Components)
	M12649/M12610
WHEEL FRONT (4 W/D)	
1993-1988	All:
	Seal
	22841
	Bearing
	[2] BR50
	(Set Components)
	LM102949/LM102910
1987-1982	All:
	Seal
	22822
	Bearing
	[2] BR50
	(Set Components)
	LM102949/LM102910
STEERING KNUCKLE	
1993-1982	All:
	Seal
	22035
	Bearing
	B2012
WHEEL REAR	
1993-1992	All:
	Seal (Inner)
	14510
	Seal (Outer)
	19211
	Bearing
	BR30208
1991-1979	All:
	Seal (Inner)
	14050
	Seal (Outer)
	19211
	Bearing
	BR30208

PINION	
FRONT AXLE	
1993-1982	w/o V6 Eng.:
	Seal
	16527
	(Speedi-Sleeve)
	99169
	Bearing (Front)
	M86649/M86610
	Bearing (Rear)
	HM89449/HM89410
1991	V6 Eng.:
	Seal
	17795
	(Speedi-Sleeve)
	99177
	Bearing (Front)
	M88043/M88010
	Bearing (Rear)
	HM89449/HM89410
1990-1989	V6 Eng.:
	Seal
	17667
	(Speedi-Sleeve)
	99177
	Bearing (Front)
	M88043/M88010
	Bearing (Rear)
	HM89449/HM89410
REAR AXLE	
1993-1984	Power Ram 50, Raider & Ram 50 Exc. V6 Eng.:
	Seal
	17667
	(Speedi-Sleeve)
	99177
	Bearing (Front)
	M88043/M88010
	Bearing (Rear)
	HM89449/HM89410
1991-1989	Power Ram 50 & Raider w/V6 Eng.:
	Seal
	17667
	(Speedi-Sleeve)
	99177
	Bearing (Front)
	M88043/M88010
	Bearing (Rear)
	HM89249/HM89210
1983-1979	All:
	Seal
	17667
	(Speedi-Sleeve)
	99177
	Bearing (Front)
	M88043/M88010
	Bearing (Rear)
	HM89449/HM89410

APPLI CATIONS

TRAILER, TAG & PUSH AXLES

FRONT AXLES

DRIVE AXLES

PINION SEALS

CONMET®

LIGHT TRUCK

DODGE TRUCK FULL SIZE VANS, 1/2 TON VAN, A100, B100, B150, B1500, 3/4 TON VAN, B200, B250, B2500, 1 TON VAN, B300, B350, B3500, RAM VAN, RAM WAGON, SPRINTER

MFG./YEAR	MODEL & LOCATION	PART NO.	MFG./YEAR	MODEL & LOCATION	PART NO.
WHEEL FRONT			WHEEL FRONT (Cont.)		
2006-2003 Sprinter:			1977-1973 B100, B150, B200 & B250 w/3,800 & 4,000 lb. Axle & 8 Stud Hub:		
	Seal (Inner)	21636		Seal	22835
	Bearing (Inner)	BR35		Bearing (Inner)	BR35
	(Set Components)	LM501349/LM501310		(Set Components)	LM501349/LM501310
	Bearing (Outer)	33205J		Bearing (Outer)	BR15101/BR15245
2003-2001 8 Stud Hub w/4,000 lb. Axle:			1977-1973 B300 & B350 w/3,800 & 4,000 lb. Axles & 8 Stud Hub:		
	Seal	22835		Seal	22835
	Bearing (Inner)	BR50		Bearing (Inner)	BR37
	(Set Components)	LM102949/LM102910		(Set Components)	LM603049/LM603011
	Bearing (Outer)	NP244401/LM67010		Bearing (Outer)	BR15101/BR15245
2003-2001 5 Stud Hub w/3500 lb. Axle:			1973 12" X 2.5" Drum Brks.:		
	Seal	20425		Seal	18415
	Bearing (Inner)	BR11		Bearing (Inner)	BR5
	(Set Components)	JL69349/JL69310		(Set Components)	LM48548/LM48510
	Bearing (Outer)	BR16		Bearing (Outer)	BR2
	(Set Components)	LM12749/LM12711		(Set Components)	LM11949/LM11910
2003-1998 8 Stud Hub w/4,000 lb. Axle:			1973 12" X 3" Brks.:		
	Seal	22835		Seal	22835
	Bearing (Inner)	BR50		Bearing (Inner)	BR35
	(Set Components)	LM102949/LM102910		(Set Components)	LM501349/LM501310
	Bearing (Outer)	NP244401/LM67010		Bearing (Outer)	BR38
	(Set Components)	LM104949/LM104911		(Set Components)	LM104949/LM104911
2000-1984 5 Stud Hub & 8 Stud Hub w/o 4,000 lb. Axle:			1972 B100 :		
	Seal	20425		Seal	19500
	Bearing (Inner)	BR11		Bearing (Inner)	BR5
	(Set Components)	JL69349/JL69310		(Set Components)	LM48548/LM48510
	Bearing (Outer)	BR16		Bearing (Outer)	BR3
	(Set Components)	LM12749/LM12711		(Set Components)	M12649/M12610
1997-1984 8 Stud Hub w/4,000 lb. Axle:			1972 B200 & B300:		
	Seal	22835		Seal	18415
	Bearing (Inner)	BR35		Bearing (Inner)	BR5
	(Set Components)	LM501349/LM501310		(Set Components)	LM48548/LM48510
	Bearing (Outer)	BR15101/BR15245		Bearing (Outer)	BR3
	(Set Components)	M12649/M12610		(Set Components)	M12649/M12610
1983-1978 3,300 & 3,600 lb. Axle & 8 Stud Hub Exc. B300 & B350:			1971 B100, B200 & B300:		
	Seal	20425		Seal	18415
	Bearing (Inner)	BR11		Bearing (Inner)	BR5
	(Set Components)	JL69349/JL69310		(Set Components)	LM48548/LM48510
	Bearing (Outer)	BR16		Bearing (Outer)	BR3
	(Set Components)	LM12749/LM12711		(Set Components)	M12649/M12610
1983-1978 B300 & B350 w/3,600 lb. Axle & 8 Stud Hub.:			1970-1964 A100 Van:		
	Seal	20425		Seal	17110
	Bearing (Inner)	BR11		Bearing (Inner)	BR6
	(Set Components)	JL69349/JL69310		(Set Components)	LM67048/LM67010
	Bearing (Outer)	BR16		Bearing (Outer)	BR2
	(Set Components)	LM12749/LM12711		(Set Components)	LM11949/LM11910
1983-1978 3,800 & 4,000 lb. Axle w/8 Stud Hub:			WHEEL REAR		
	Seal	22835	2006-2003 Sprinter w/Dual Rr. Whls.:		
	Bearing (Inner)	BR35		Bearing (Inner)	BR32011
	(Set Components)	LM501349/LM501310		Bearing (Outer)	BR32210
	Bearing (Outer)	BR15101/BR15245	2006-2003 Sprinter w/Single Rr. Whls.:		
1983-1974 3,000 & 3,300 lb. Axles w/5 Stud Hub:				Sealed Bearing	GRW329
	Seal	19500	2003-1994 Exc. Sprinter & H.D.:		
	Bearing (Inner)	BR17		Seal	24917
	(Set Components)	L68149/L68111		Bearing	BR38
	Bearing (Outer)	BR16		(Set Components)	LM104949/LM104911
	(Set Components)	LM12749/LM12711			(Continued)

• See page 256.

For all other in-text symbols, see page 6.

(Cont.) -- DODGE TRUCK FULL SIZE VANS, 1/2 TON VAN, A100, B100, B150, B1500, 3/4 TON VAN, B200, B250, B2500, 1 TON VAN, B300, B350, B3500, RAM VAN, RAM WAGON, SPRINTER

MFG./YEAR	MODEL & LOCATION	PART NO.	MFG./YEAR	MODEL & LOCATION	PART NO.
WHEEL REAR (Cont.)			WHEEL REAR (Cont.)		
2003-1994	H.D. Exc. Sprinter:		1973-1969	Spicer 60 Axle w/12" X 2.5" Brks. Exc. B300:	
	Seal	28754		Seal	26238
	Bearing (Inner)	SET407		Bearing (Inner)	370-A/362-A
	(Set Components)	BR28682/BR28622		Bearing (Outer)	359-S/354-A
	Bearing (Outer)	BR38	1971	B300 & B350 w/Spicer 60 Axle & 12" X 2.5" Brks.:	
	(Set Components)	LM104949/LM104911		Seal	26238
1993-1986	Spicer 60 & 70 Axles w/12" X 3" Brks. w/o 9,000 lb. G.V.W.:			Bearing (Inner)	370-A/362-A
	Seal	30033		Bearing (Outer)	359-S/354-A
	Bearing (Inner)	BR45291/BR45220	1968-1964	A100 w/8.75" Ring Gear Exc. Flg. Axle:	
	Bearing (Outer)	BR38		Seal (Inner)	14423
	(Set Components)	LM104949/LM104911		Seal (Outer)	14359
1993-1978	Spicer 60 & 70 Axles w/12" X 2.5" Brks.:			Bearing	BR25880/BR25821
	Seal	24917	1968-1964	A100 w/8.75" Ring Gear & Flg. Axle:	
	Bearing	[2] BR38		Seal (Inner)	15460
	(Set Components)	LM104949/LM104911		Seal (Outer)	19000
1993-1978	Spicer 60 & 70 Axles w/12" X 3" Brks. & 9,000 lb. G.V.W.:			Bearing	BR7
	Seal	28754		(Set Components)	M201047-S/M201011
	Bearing (Inner)	SET407	AXLE SHAFT		
	(Set Components)	BR28682/BR28622	2004-1985	8.250" & 8.375" Ring Gears:	
	Bearing (Outer)	BR38		Seal	16044
	(Set Components)	LM104949/LM104911		Bearing	R1559-TV
1985-1984	B100 & B150 w/Spicer 60 Axle & 12" X 3" Brks.:			(Axle Repair Brg. Assy.)	• R1559
	Seal	24917	2004-1984	H.D. Axle w/9.25" Ring Gear :	
	Bearing	[2] BR38		Seal	17100
	(Set Components)	LM104949/LM104911		Bearing	R1561-TV
1984-1978	8.375" Ring Gear:			(Axle Repair Brg. Assy.)	• R1561-F
	Seal	16044	2004-1974	9.25" Ring Gear Exc. H.D. Axle:	
	Bearing	R1559-TV		Seal	16044
	(Axle Repair Brg. Assy.)	• R1559		Bearing	R1559-TV
1977-1974	Spicer 60 Axle w/12" X 2.5" Brks. Exc. B300 & B350:			(Axle Repair Brg. Assy.)	• R1559
	Seal	24917	PINION		
	Bearing	[2] BR38	REAR AXLE		
	(Set Components)	LM104949/LM104911	2005-2004	8.25" Ring Gear:	
1977-1974	Spicer 70 Axle w/12" X 3" Brks.:			Seal	17296
	Seal	30033		Bearing (Front)	M86649/M86610
	Bearing (Inner)	SET416		Bearing (Rear)	M802048/M802011
	(Set Components)	BR45291/BR45220	2005-2000	9.25" Ring Gear:	
	Bearing (Outer)	BR38		Seal	18852
	(Set Components)	LM104949/LM104911		(Speedi-Sleeve)	99189
1977-1972	B300 & B350 w/Spicer 60 Axle & Single Rr. Whls.:			Bearing (Front)	BR52
	Seal	26238		(Set Components)	M88048/M88010
	Bearing (Inner)	370-A/362-A	2003-2002	Spicer M60 Axle:	
	Bearing (Outer)	359-S/354-A		Bearing (Front)	HM88542/HM88510
1977-1972	B300 & B350 w/Spicer 60 Axle & Dual Rr. Whls.:			Bearing (Rear)	HM803146/HM803110
	Seal	30033	2003-2000	B1500 & B2500 w/8.25" Ring Gear:	
	Bearing (Inner)	SET416		Seal	17296
	(Set Components)	BR45291/BR45220		Bearing (Front)	M86649/M86610
	Bearing (Outer)	BR38		Bearing (Rear)	M802048/M802011
	(Set Components)	LM104949/LM104911	2001-1994	Spicer 60 Axle:	
1977-1969	8.75" Ring Gear:			Seal	18896
	Seal (Inner)	15460		(Speedi-Sleeve)	99187
	Seal (Outer)	19000		Bearing (Front)	HM88542/HM88510
	Bearing	BR7		Bearing (Rear)	HM803146/HM803110
	(Set Components)	M201047-S/M201011			(Continued)

APPLICATIONS
TRAILER, TAG & PUSH AXLES
FRONT AXLES
DRIVE AXLES
PINION SEALS
CONMET®
LIGHT TRUCK

DODGE TRUCK FULL SIZE VANS, 1/2 TON VAN, A100, B100, B150, B1500, 3/4 TON VAN, B200, B250, B2500, 1 TON VAN, B300, B350, B3500, RAM VAN, RAM WAGON, SPRINTER -- (Cont.)

MFG./YEAR	MODEL & LOCATION	PART NO.	MFG./YEAR	MODEL & LOCATION	PART NO.
PINION (Cont.)			PINION (Cont.)		
REAR AXLE (Cont.)			REAR AXLE (Cont.)		
1999-1997	B2500 & B3500 w/9.25" Ring Gear:		1983-1972	B250 & B350 w/Spicer 60 Axle:	
	Seal18708			Seal18891	
	(Speedi-Sleeve)99187			(Speedi-Sleeve)99187	
	Bearing (Front) BR52			Bearing (Front) HM88542/HM88510	
	(Set Components) M88048/M88010			Bearing (Rear) HM803146/HM803110	
	Bearing (Rear) M804049/M804010		1983-1972	Spicer 70 Axle w/7290 Yoke:	
1999-1997	B1500 & B2500 w/8.25" Ring Gear:			Seal18888	
	Seal16805			(Speedi-Sleeve)99187	
	(Speedi-Sleeve)99168			Bearing (Front) HM88542/HM88510	
	Bearing (Front) M86649/M86610			Bearing (Rear) HM807040/HM807010	
	Bearing (Rear) M802048/M802011		1977-1972	8.75" Ring Gear:	
1996-1986	B150, B250, B1500 & B2500 w/8.250" & 8.375" Ring Gears:			Seal18708	
	Seal16805			(Speedi-Sleeve)99187	
	(Speedi-Sleeve)99168			Bearing (Front) BR52	
	Bearing (Front) M86649/M86610			(Set Components) M88048/M88010	
	Bearing (Rear) M802048/M802011			Bearing (Rear) M804049/M804010	
1996-1986	9.25" Ring Gear:		1971	B350 w/8.75" Ring Gear:	
	Seal18708			Seal18888	
	(Speedi-Sleeve)99187			(Speedi-Sleeve)99187	
	Bearing (Front) BR52			Bearing (Front) HM88542/HM88510	
	(Set Components) M88048/M88010			Bearing (Rear) HM807040/HM807010	
	Bearing (Rear) M804049/M804010		1971-1969	8.75" Ring Gear w/1.375" Rr. Brg. I.D.	
1993-1988	Spicer 60, 70 & 71 Axles:			Exc. B300 & B350:	
	Seal18896			Seal18708	
	(Speedi-Sleeve)99187			(Speedi-Sleeve)99187	
	Bearing (Front) HM88542/HM88510			Bearing (Front) BR52	
	Bearing (Rear) HM803146/HM803110			(Set Components) M88048/M88010	
1987-1984	Spicer 60 Axle:			Bearing (Rear) HM89446/HM89410	
	Seal18891		1971-1969	8.75" Ring Gear w/1.875" Rr. Brg. I.D.	
	(Speedi-Sleeve)99187			Exc. B300 & B350:	
	Bearing (Front) HM88542/HM88510			Seal18708	
	Bearing (Rear) HM803146/HM803110			(Speedi-Sleeve)99187	
1985-1984	B150 & B250 w/Spicer 70 Axle:			Bearing (Front) BR52	
	Seal18891			(Set Components) M88048/M88010	
	(Speedi-Sleeve)99187			Bearing (Rear) M804049/M804010	
	Bearing (Front) HM88542/HM88510		1971-1969	Spicer 60 & 70 Axles w/5380 & 7260	
	Bearing (Rear) HM803146/HM803110			Series Joints:	
1985-1974	9.25" Ring Gear:			Seal18891	
	Seal18708			(Speedi-Sleeve)99187	
	(Speedi-Sleeve)99187			Bearing (Front) HM88542/HM88510	
	Bearing (Front) BR52			Bearing (Rear) HM803146/HM803110	
	(Set Components) M88048/M88010		1968-1965	A100 8.75" Ring Gear w/1.750" Rr. Brg.	
	Bearing (Rear) M804049/M804010			I.D. From 3/1/65:	
1985-1972	B350 w/Spicer 70 Axle, 5380 & 7260			Seal18912	
	Yoke:			(Speedi-Sleeve)99187	
	Seal18891			Bearing (Front) HM89443/HM89410	
	(Speedi-Sleeve)99187			Bearing (Rear) HM803149/HM803110	
	Bearing (Front) HM88542/HM88510		1968-1964	A100 w/8.75" Ring Gear w/1.375" Rr.	
	Bearing (Rear) HM807040/HM807010			Brg. I.D.:	
1985-1969	8.375" Ring Gear:			Seal18708	
	Seal16805			(Speedi-Sleeve)99187	
	(Speedi-Sleeve)99168			Bearing (Front) BR52	
	Bearing (Front) M86649/M86610			(Set Components) M88048/M88010	
	Bearing (Rear) M802048/M802011			Bearing (Rear) HM89446/HM89410	

(Continued)

• See page 256.

For all other in-text symbols, see page 6.

(Cont.) -- DODGE TRUCK FULL SIZE VANS, 1/2 TON VAN, A100, B100, B150, B1500, 3/4 TON VAN, B200, B250, B2500, 1 TON VAN, B300, B350, B3500, RAM VAN, RAM WAGON, SPRINTER

MFG./YEAR	MODEL & LOCATION	PART NO.	MFG./YEAR	MODEL & LOCATION	PART NO.
PINION (Cont.)					
REAR AXLE (Cont.)					
1965-1964	A100 w/8.75" Ring Gear & 1.75" Rr. Brg. I.D. Thru 2/28/65:				
	Seal	18708			
	(Speedi-Sleeve)	99187			
	Bearing (Front)	HM89443/HM89410			
	Bearing (Rear)	HM803149/HM803110			

DODGE TRUCK 1/2 TON, AD150, AW150, D100, D150, P100, P150, W100, W150, R1500, DAKOTA, DURANGO, NITRO, RAMCHARGER, RAM CHASSIS

WHEEL FRONT (2 W/D)		
2006-2002	R1500 w/Rr. Whl. ABS:	
	Hub Assembly	BR930284
2005	Dakota w/Rr. Whl. ABS:	
	Hub Assembly	BR930515
2005	Dakota w/4 Whl. ABS:	
	Hub Assembly	BR930514
2005-2002	R1500 w/4 Whl. ABS:	
	Hub Assembly	BR930285
2004	Durango:	
	Hub Assembly	BR930513
2004-1997	Dakota w/4 Whl. ABS:	
	Hub Assembly	BR930360
2004-1997	Dakota w/Rr. Whl. ABS:	
	Hub Assembly	BR930361
2003-2000	Durango w/4 Whl. ABS:	
	Hub Assembly	BR930360
2003-1999	Durango w/Rr. Whl. ABS:	
	Hub Assembly	BR930361
1999-1994	Exc. Dakota:	
	Seal	19784
	Bearing (Inner)	BR5
	(Set Components)	LM48548/LM48510
	Bearing (Outer)	BR3
	(Set Components)	M12649/M12610
1996-1994	Dakota:	
	Seal	20425
	Bearing (Inner)	BR11
	(Set Components)	JL69349/JL69310
	Bearing (Outer)	BR16
	(Set Components)	LM12749/LM12711
1993-1984	All:	
	Seal	20425
	Bearing (Inner)	BR11
	(Set Components)	JL69349/JL69310
	Bearing (Outer)	BR16
	(Set Components)	LM12749/LM12711
1983-1978	3,300 lb. Axle:	
	Seal	19500
	Bearing (Inner)	BR17
	(Set Components)	L68149/L68111
	Bearing (Outer)	BR16
	(Set Components)	LM12749/LM12711

WHEEL FRONT (2 W/D) (Cont.)		
1983-1978	3,600 lb. Axle:	
	Seal	20425
	Bearing (Inner)	BR11
	(Set Components)	JL69349/JL69310
	Bearing (Outer)	BR16
	(Set Components)	LM12749/LM12711
1977-1972	3,000 & 3,300 lb. Axles:	
	Seal	19500
	Bearing (Inner)	BR17
	(Set Components)	L68149/L68111
	Bearing (Outer)	BR16
	(Set Components)	LM12749/LM12711
1971-1969	Disc Brks.:	
	Seal	17836
	Bearing (Inner)	BR5
	(Set Components)	LM48548/LM48510
	Bearing (Outer)	BR2
	(Set Components)	LM11949/LM11910
1971-1963	Drum Brks.:	
	Seal	18415
	Bearing (Inner)	BR5
	(Set Components)	LM48548/LM48510
	Bearing (Outer)	BR2
	(Set Components)	LM11949/LM11910
1962-1957	All:	
	Seal	18415
	Bearing (Inner)	BR5
	(Set Components)	LM48548/LM48510
	Bearing (Outer)	BR2
	(Set Components)	LM11949/LM11910
WHEEL FRONT (4 W/D)		
2007-2006	Durango:	
	Hub Assembly	BR930523
2007-2002	R1500 w/Rr. Whl. ABS:	
	Hub Assembly	BR930284
2005-2004	Durango:	
	Hub Assembly	BR930513
2004	Dakota w/4 Whl. ABS:	
	Hub Assembly (L.H.)	BR930204
	Hub Assembly (R.H.)	BR930205
2004-2002	R1500 w/4 Whl. ABS:	
	Hub Assembly	BR930285
2004-1997	Dakota w/o 4 Whl. ABS:	
	Hub Assembly	BR930207

(Continued)

APPLICATIONS
 TRAILER, TAG & PUSHER AXLES
 FRONT AXLES
 DRIVE AXLES
 PINION SEALS
 CONMET®
 LIGHT TRUCK

• See page 256.

For all other in-text symbols, see page 6.

DODGE TRUCK 1/2 TON, AD150, AW150, D100, D150, P100, P150, W100, W150, R1500, DAKOTA, DURANGO, NITRO, RAMCHARGER, RAM CHASSIS -- (Cont.)

MFG./YEAR	MODEL & LOCATION	PART NO.	MFG./YEAR	MODEL & LOCATION	PART NO.
WHEEL FRONT (4 W/D) (Cont.)			WHEEL FRONT (4 W/D) (Cont.)		
2003-2000	Dakota & Durango w/4 Whl. ABS:		1974-1969	Drum Brks.:	
	Hub Assembly (L.H.)	BR930204		Seal	24904
	Hub Assembly (R.H.)	BR930205		Bearing (Inner)	BR37
2003-1998	Durango w/Rr. Whl. ABS:			(Set Components)	LM603049/LM603011
	Hub Assembly	BR930207		Bearing (Outer)	BR35
2001-2000	R1500 w/4 Whl. ABS:			(Set Components)	LM501349/LM501310
	Hub Assembly	BR930305	1968-1957	All:	
2001-2000	R1500 w/Rr. Whl. ABS:			Seal	22468
	Hub Assembly	BR930409		Bearing	[2] BR18685/BR18620
1999-1998	R1500 w/o ABS:		AXLE SHAFT		
	Hub Assembly	BR930256	2005-2000	Dakota & Durango:	
1999-1998	R1500 w/ABS:			Bearing	SCE228
	Hub Assembly (L.H.)	BR930415	2001-2000	Spicer 44 Axle:	
	Hub Assembly (R.H.)	BR930410		Seal (L.H.)	16015
1999-1997	Dakota & Durango w/4 Whl. ABS:			Seal (R.H.)	13165
	Hub Assembly (L.H.)	BR930204		Bearing	SCE228
	Hub Assembly (R.H.)	BR930205	1999-1997	Dakota & Durango:	
1997-1994	R1500 & W150:			Seal	14119
	Hub Assembly	BR930256		Bearing	R1563-TAV
1996-1991	Dakota:		1999-1994	Spicer 44 Axle:	
	Seal	21952		Seal (L.H.)	13165
	Seal (w/Sleeve)	21962		Seal (R.H.)	16015
	Hub Assembly	BR930045	1996-1994	Dakota:	
1993-1985	Exc. Dakota:			Seal	13995
	Seal	24917		Bearing	R1563-TAV
	Bearing (Inner)	LM104949/JLM104910	1993-1987	Dakota:	
	Bearing (Outer)	BR35		Seal (L.H.)	13995
	(Set Components)	LM501349/LM501310		Seal (R.H.)	16578
1990-1987	Dakota:			Bearing (L.H.)	R1563-TAV
	Seal	21952		Bearing (R.H.)	BR9
	Seal (w/Sleeve)	21962	1993-1978	Spicer 44 Axle:	
	Hub Assembly	BR930008		Seal	13165
1984	All:		1977-1973	Spicer 44 Axle:	
	Seal	24898		Seal	13165
	Bearing (Inner)	LM104949/JLM104910	1972-1957	All:	
	Bearing (Outer)	BR35		Seal	13165
	(Set Components)	LM501349/LM501310	INTERMEDIATE SHAFT		
1983-1978	W100 & W150 Spicer 44 Axle w/o Locking Hub:		1994-1988	Spicer 44F-BJ Axle:	
	Seal	26153		Seal	16015
	(V-Ring)	400700	1987-1983	Spicer 44F-BJ Axle:	
	Bearing	BR25		Seal	19229
1983-1978	W100 & W150 Spicer 44 Axle w/Locking Hub:			Bearing	B5020
	Seal (Inner)	22311	SPINDLE HUB		
	Seal (Outer)	26153	1992-1985	Spicer 44 Axle:	
	Bearing (Inner)	LM104949/JLM104910		Seal (Inner)	22311
	Bearing (Outer)	BR35		Seal (Outer)	711818
	(Set Components)	LM501349/LM501310		Bearing	B2110
1977-1975	W100 & W150 Spicer 44 Axle:			Seal & Bearing Kit	BK1
	Seal	26153	1984-1973	All:	
	(V-Ring)	400700		Seal	24898
	Bearing	BR25		Bearing Assembly	B2110
1974	Disc Brks.:		STEERING KNUCKLE		
	Seal	26153	1971-1957	All:	
	(V-Ring)	400700		Bearing	BR11590/BR11520
	Bearing (Inner)	BR37			(Continued)
	(Set Components)	LM603049/LM603011			
	Bearing (Outer)	BR35			
	(Set Components)	LM501349/LM501310			

• See page 256.

For all other in-text symbols, see page 6.

**(Cont.) -- DODGE TRUCK 1/2 TON, AD150, AW150, D100, D150, P100,
P150, W100, W150, R1500, DAKOTA, DURANGO, NITRO,
RAMCHARGER, RAM CHASSIS**

MFG./YEAR	MODEL & LOCATION	PART NO.	MFG./YEAR	MODEL & LOCATION	PART NO.
WHEEL REAR			WHEEL REAR (Cont.)		
2007	Nitro:		1986-1985	8.375" Ring Gear:	
	Seal	16139		Seal	16044
	Bearing	R1559-TV		Bearing	R1559-TV
	(Axle Repair Brg. Assy.)	• R1559		(Axle Repair Brg. Assy.)	• R1559
2007-2005	R1500 w/Dana Axle:		1985-1984	Spicer 60 Axle w/12" X 3" Brks.:	
	Seal	17100		Seal	24917
	Sealed Bearing	GRW237		Bearing	[2] BR38
				(Set Components)	LM104949/LM104911
2007-2005	R1500 w/American Axle:		1985-1984	Spicer 70 Axle w/12" X 2.5" Brks.:	
	Seal	16139		Seal	24917
	Sealed Bearing	GRW237		Bearing	[2] BR38
				(Set Components)	LM104949/LM104911
2007-2004	Durango:		1985-1984	Spicer 70 Axle w/12" X 3" Brks.:	
	Bearing	F391315		Seal	30033
2006-2004	Dakota:			Bearing (Inner)	SET416
	Seal	16139		(Set Components)	BR45291/BR45220
	Bearing	R1559-TV		Bearing (Outer)	BR38
	(Axle Repair Brg. Assy.)	• R1559		(Set Components)	LM104949/LM104911
2004	R1500:		1984-1969	8.375" Ring Gear:	
	Seal	17100		Seal	16044
	Sealed Bearing	GRW237		Bearing	R1559-TV
2003-2000	Dakota, Durango & R1500 w/8.25" & 9.25" Ring Gears:			(Axle Repair Brg. Assy.)	• R1559
	Seal	16139		1983-1974	9.25" Ring Gear:
	Bearing	R1559-TV		Seal	16044
	(Axle Repair Brg. Assy.)	• R1559		Bearing	R1559-TV
1999-1986	7.250", 8.250" & 8.375" Ring Gears:			(Axle Repair Brg. Assy.)	• R1559
	Seal	16044		1977-1969	8.75" Ring Gear:
	Bearing	R1559-TV		Seal (Inner)	15460
	(Axle Repair Brg. Assy.)	• R1559		Seal (Outer)	19000
1999-1985	9.25" Ring Gear Exc. H.D.:			Bearing	BR7
	Seal	16044		(Set Components)	M201047-S/M201011
	Bearing	R1559-TV		1968-1963	8.75" Ring Gear Exc. Fig. Axle:
	(Axle Repair Brg. Assy.)	• R1559		Seal (Inner)	14423
1997-1984	9.25" Ring Gear w/H.D. Axle:			Seal (Outer)	14359
	Seal	17100		Bearing	BR25880/BR25821
	Bearing	R1561-TV		1968-1963	8.75" Ring Gear w/Fig. Axle:
	(Axle Repair Brg. Assy.)	• R1561-F		Seal (Inner)	15460
1990-1986	Spicer 60 Axle w/12" X 2.5" Brks.:			Seal (Outer)	19000
	Seal	24917		Bearing	BR7
	Bearing	[2] BR38		(Set Components)	M201047-S/M201011
	(Set Components)	LM104949/LM104911		PINION	
1990-1986	Spicer 60 Axle w/12" X 3" Brks. Exc. 9,000 lb. G.V.W.:			FRONT AXLE	
	Seal	30033		2005-2004	Durango:
	Bearing (Inner)	SET416		Seal	17259
	(Set Components)	BR45291/BR45220		(Speedi-Sleeve)	99171
	Bearing (Outer)	BR38		Bearing (Front)	BR52
	(Set Components)	LM104949/LM104911		(Set Components)	M88048/M88010
1990-1986	Spicer 60 Axle w/12" X 3" Brks. w/9,000 lb. G.V.W.:			2005-2000	Dakota:
	Seal	28754		Seal	17259
	Bearing (Inner)	SET407		(Speedi-Sleeve)	99171
	(Set Components)	BR28682/BR28622		Bearing (Front)	BR52
	Bearing (Outer)	BR38		(Set Components)	M88048/M88010
	(Set Components)	LM104949/LM104911		2003-2000	Durango:
1987-1984	9.25" Ring Gear w/2 W/D:			Seal	17259
	Seal	16044		(Speedi-Sleeve)	99171
	Bearing	R1559-TV		Bearing (Front)	BR52
	(Axle Repair Brg. Assy.)	• R1559		(Set Components)	M88048/M88010
					(Continued)

• See page 256.

For all other in-text symbols, see page 6.

APPLICATIONS
 TRAILER, TAG & PUSH AXLES
 FRONT AXLES
 DRIVE AXLES
 PINION SEALS
 CONMET®
 LIGHT TRUCK

DODGE TRUCK 1/2 TON, AD150, AW150, D100, D150, P100, P150, W100, W150, R1500, DAKOTA, DURANGO, NITRO, RAMCHARGER, RAM CHASSIS -- (Cont.)

MFG./YEAR MODEL & LOCATION PART NO.

PINION (Cont.)

FRONT AXLE (Cont.)

2002-2001 Spicer 44 Axle:

Seal (Inner)15566
(Speedi-Sleeve)99155

Seal (Outer)400400

Bearing (Front)HM88649/HM88610

Bearing (Rear)BR02872/BR02820

2000 Spicer 44 Axle:

Seal400400

Bearing (Front)HM88649/HM88610

Bearing (Rear)BR02872/BR02820

1999-1998 Dakota:

Bearing (Front)BR90
(Set Components)HM88648/HM88610

Bearing (Rear)M86649/M86610

1999-1994 Spicer 44 Axle:

Seal15791
(Speedi-Sleeve)99155

Bearing (Front)HM88649/HM88610

Bearing (Rear)BR02872/BR02820

1997 Dakota:

Seal18472

Bearing (Front)BR90
(Set Components)HM88648/HM88610

Bearing (Rear)M86649/M86610

1996-1987 7.25" Ring Gear:

Seal16805
(Speedi-Sleeve)99168

Bearing (Front)M86649/M86610

Bearing (Rear)HM88649/HM88610

1993-1959 Spicer 44 Axle:

Seal15788
(Speedi-Sleeve)99155

Bearing (Front)BR31594/BR31520

Bearing (Rear)BR02872/BR02820

REAR AXLE

2006-2000 Dakota & Durango w/8.25" Ring Gear:

Seal17296

Bearing (Front)M86649/M86610

Bearing (Rear)M802048/M802011

2006-2000 Dakota & Durango w/9.25" Ring Gear:

Seal18852
(Speedi-Sleeve)99189

Bearing (Front)BR52
(Set Components)M88048/M88010

2005 R1500 w/9.25" Ring Gear:

Seal18852
(Speedi-Sleeve)99189

2005 R1500 w/Dana 60/248 Axle:

Bearing (Front)HM88542/HM88510

2004 R1500 w/Dana 60/248 Axle:

Bearing (Front)HM88542/HM88510

Bearing (Rear)HM803146/HM803110

2004-2002 R1500 w/9.25" Ring Gear:

Seal18852
(Speedi-Sleeve)99189

Bearing (Front)BR52
(Set Components)M88048/M88010

MFG./YEAR MODEL & LOCATION PART NO.

PINION (Cont.)

REAR AXLE (Cont.)

2001-2000 R1500 w/9.25" Ring Gear:

Seal18852
(Speedi-Sleeve)99189

Bearing (Front)BR52
(Set Components)M88048/M88010

Bearing (Rear)M804049/M804010

1999-1998 Dakota & Durango w/9.25" Ring Gear:

Seal18708
(Speedi-Sleeve)99187

Bearing (Front)BR52
(Set Components)M88048/M88010

Bearing (Rear)M804049/M804010

1999-1997 R1500 w/9.25" Ring Gear:

Seal18708
(Speedi-Sleeve)99187

Bearing (Front)BR52
(Set Components)M88048/M88010

Bearing (Rear)M804049/M804010

1999-1997 Dakota w/8.25" Ring Gear:

Seal16805
(Speedi-Sleeve)99168

Bearing (Front)M86649/M86610

Bearing (Rear)M802048/M802011

1996-1994 8.25" Ring Gear:

Seal16805
(Speedi-Sleeve)99168

Bearing (Front)M86649/M86610

Bearing (Rear)M802048/M802011

1996-1974 9.25" Ring Gear:

Seal18708
(Speedi-Sleeve)99187

Bearing (Front)BR52
(Set Components)M88048/M88010

Bearing (Rear)M804049/M804010

1993-1986 7.250", 8.250" & 8.375" Ring Gears:

Seal16805
(Speedi-Sleeve)99168

Bearing (Front)M86649/M86610

Bearing (Rear)M802048/M802011

1987-1984 Spicer 60 Axle:

Seal18891
(Speedi-Sleeve)99187

Bearing (Front)HM88542/HM88510

Bearing (Rear)HM803146/HM803110

1985-1984 Spicer 70 Axle:

Seal18891
(Speedi-Sleeve)99187

Bearing (Front)HM88542/HM88510

Bearing (Rear)HM803146/HM803110

1985-1969 8.375" Ring Gear:

Seal16805
(Speedi-Sleeve)99168

Bearing (Front)M86649/M86610

Bearing (Rear)M802048/M802011

(Continued)

• See page 256.

For all other in-text symbols, see page 6.

**(Cont.) -- DODGE TRUCK 1/2 TON, AD150, AW150, D100, D150, P100,
P150, W100, W150, R1500, DAKOTA, DURANGO, NITRO,
RAMCHARGER, RAM CHASSIS**

MFG./YEAR	MODEL & LOCATION	PART NO.	MFG./YEAR	MODEL & LOCATION	PART NO.
PINION (Cont.)			PINION (Cont.)		
REAR AXLE (Cont.)			REAR AXLE (Cont.)		
1977-1972	8.75" Ring Gear:		1968-1965	8.75" Ring Gear w/1.75" Rr. Brg. I.D. From 3/1/65:	
	Seal	18708		Seal	18912
	(Speedi-Sleeve)	99187		(Speedi-Sleeve)	99187
	Bearing (Front)	BR52		Bearing (Front)	HM89443/HM89410
	(Set Components)	M88048/M88010		Bearing (Rear)	HM803149/HM803110
	Bearing (Rear)	M804049/M804010	1968-1963	8.75" Ring Gear w/1.375" Rr. Brg. I.D.:	
1971-1969	8.75" Ring Gear w/1.375" Rr. Brg. I.D.:			Seal	18708
	Seal	18708		(Speedi-Sleeve)	99187
	(Speedi-Sleeve)	99187		Bearing (Front)	BR52
	Bearing (Front)	BR52		(Set Components)	M88048/M88010
	(Set Components)	M88048/M88010		Bearing (Rear)	HM89446/HM89410
	Bearing (Rear)	HM89446/HM89410	1965-1963	8.75" Ring Gear w/1.75" Rr. Brg. I.D. Thru 2/28/65:	
1971-1969	8.75" Ring Gear w/1.875" Rr. Brg. I.D.:			Seal	18708
	Seal	18708		(Speedi-Sleeve)	99187
	(Speedi-Sleeve)	99187		Bearing (Front)	HM89443/HM89410
	Bearing (Front)	BR52		Bearing (Rear)	HM803149/HM803110
	(Set Components)	M88048/M88010			
	Bearing (Rear)	M804049/M804010			

DODGE TRUCK 3/4 TON, D200, D250, P200, P250, W200, W250, R2500

MFG./YEAR	MODEL & LOCATION	PART NO.	MFG./YEAR	MODEL & LOCATION	PART NO.
WHEEL FRONT (2 W/D)			WHEEL FRONT (2 W/D) (Cont.)		
2005-2003	All:		1983-1972	3,300 lb. Axle w/5 Stud Hub:	
	Hub Assembly	BR930475		Seal	19500
1999-1994	All:			Bearing (Inner)	BR17
	Seal	21756		(Set Components)	L68149/L68111
	Bearing (Inner)	BR35		Bearing (Outer)	BR16
	(Set Components)	LM501349/LM501310		(Set Components)	LM12749/LM12711
	Bearing (Outer)	BR15101/BR15245	1977-1972	3,800 lb. Axle:	
1993-1984	5 Stud Hub:			Seal	22835
	Seal	20425		Bearing (Inner)	BR35
	Bearing (Inner)	BR11		(Set Components)	LM501349/LM501310
	(Set Components)	JL69349/JL69310		Bearing (Outer)	BR15101/BR15245
	Bearing (Outer)	BR16	1972-1969	12" X 2.5" Brks.:	
	(Set Components)	LM12749/LM12711		Seal	18415
1993-1984	4,000 lb. Axle w/8 Stud Hub:			Bearing (Inner)	BR5
	Seal	22835		(Set Components)	LM48548/LM48510
	Bearing (Inner)	BR35		Bearing (Outer)	BR3
	(Set Components)	LM501349/LM501310		(Set Components)	M12649/M12610
	Bearing (Outer)	BR15101/BR15245	1972-1969	12" X 3" Brks.:	
1992-1984	3,600 lb. Axle w/8 Stud Hub:			Seal	22835
	Seal	20425		Bearing (Inner)	BR35
	Bearing (Inner)	BR35		(Set Components)	LM501349/LM501310
	(Set Components)	LM501349/LM501310		Bearing (Outer)	BR38
	Bearing (Outer)	BR15101/BR15245		(Set Components)	LM104949/LM104911
1983-1982	4,400 lb. Axle:		1968-1954	Conventional Cab:	
	Seal	22835		Seal	17836
	Bearing (Inner)	BR35		Bearing (Inner)	BR5
	(Set Components)	LM501349/LM501310		(Set Components)	LM48548/LM48510
	Bearing (Outer)	BR15101/BR15245		Bearing (Outer)	BR3
1983-1978	3,300 lb. (8 Stud) & 3,600 lb. Axles:			(Set Components)	M12649/M12610
	Seal	20425	1968-1954	Crew Cab:	
	Bearing (Inner)	BR11		Seal	22835
	(Set Components)	JL69349/JL69310		Bearing (Inner)	BR35
	Bearing (Outer)	BR16		(Set Components)	LM501349/LM501310
	(Set Components)	LM12749/LM12711		Bearing (Outer)	BR15101/BR15245

(Continued)

• See page 256.

For all other in-text symbols, see page 6.

APPLICATIONS
 TRAILER, TAG & PUSHER AXLES
 FRONT AXLES
 DRIVE AXLES
 PINION SEALS
 CONMET®
 LIGHT TRUCK

DODGE TRUCK 3/4 TON, D200, D250, P200, P250, W200, W250, R2500 -- (Cont.)

MFG./YEAR	MODEL & LOCATION	PART NO.	MFG./YEAR	MODEL & LOCATION	PART NO.
WHEEL FRONT (4 W/D)			WHEEL FRONT (4 W/D) (Cont.)		
2005-2003	All:		1973-1969	Spicer 60 Axle & 12" X 2" Brks.:	
	Hub Assembly	BR930502		Seal	22468
2002-2000	4 Whl. ABS.:			Bearing (Inner)	BR18690/BR18620
	Hub Assembly	BR930203		Bearing (Outer)	BR18685/BR18620
2002-2000	w/o 4 Whl. ABS:		1962-1954	All:	
	Hub Assembly	BR930503		Seal	22468
1999-1998	4 Whl. ABS.:			Bearing (Inner)	BR18690/BR18620
	Hub Assembly (L.H.)	BR930407		Bearing (Outer)	BR18685/BR18620
	Hub Assembly (R.H.)	BR930408	1956-1946	All:	
1999-1994	Rr. Whl. ABS, 4 Mounting Holes & 8,800 lbs. G.V.W.:			Seal	17145
	Hub Assembly	BR930405	AXLE SHAFT		
1997-1994	Rr. Whl. ABS, 3 Mounting Holes & 8,650 lbs. G.V.W.:		2002	Vacuum Disconnect Axle:	
	Hub Assembly	BR930400		Seal (L.H.)	14694
1993-1985	Spicer 44 w/3,500 lb. Axle:			Seal (R.H.)	19208
	Seal	24917	2002	w/o Vacuum Disconnect Axle:	
	Bearing (Inner)	LM104949/JLM104910		Seal	14694
	Bearing (Outer)	BR35	2001-2000	Spicer 44 & 60 Axles:	
	(Set Components)	LM501349/LM501310		Seal (L.H.)	14694
1993-1978	Spicer 60 Axle w/4,500 lb. Axle:			Seal (R.H.)	19208
	Seal	27452	1999-1994	Spicer 44 & 60 Axles:	
	Bearing (Inner)	387-A/382-A		Seal (L.H.)	13165
	Bearing (Outer)	BR38		Seal (R.H.)	16015
	(Set Components)	LM104949/LM104911	1993-1990	Spicer 60 w/4,500 lb. Axle:	
1984	Spicer 44 w/3,500 lb. Axle:			Seal	15194
	Seal	24898		(V-Ring)	400659
	Bearing (Inner)	LM104949/JLM104910	1989-1988	Spicer 60 Axle:	
	Bearing (Outer)	BR35		Seal	18896
	(Set Components)	LM501349/LM501310	1987-1970	Spicer 60 Axle:	
1983-1978	Spicer 44 Axle w/Non-Locking Hub:			Seal	18891
	Seal	26153	1984-1980	Spicer 44 Axle:	
	(V-Ring)	400700		Seal	13165
	Bearing	BR25	1969-1961	All:	
1983-1978	Spicer 44 Axle w/Locking Hub:			Seal	18888
	Seal (Inner)	22311	SPINDLE HUB		
	Seal (Outer)	26153	1992-1990	Spicer 60 Axle:	
	Bearing (Inner)	LM104949/JLM104910		Seal	711822
	Bearing (Outer)	BR35		(V-Ring)	400650
	(Set Components)	LM501349/LM501310		Bearing	B2414
1977-1975	Spicer 44 Axle:			Seal & Bearing Kit	BK3
	Seal	26153	1992-1985	Spicer 44 Axle:	
	(V-Ring)	400700		Seal (Inner)	22311
	Bearing	BR25		Seal (Outer)	711818
1974	Spicer 44 Axle & Disc Brks.:			Bearing	B2110
	Seal	26153		Seal & Bearing Kit	BK1
	(V-Ring)	400700	1989-1986	Spicer 60 Axle:	
	Bearing (Inner)	BR37		Seal	711822
	(Set Components)	LM603049/LM603011		Bearing	B2414
	Bearing (Outer)	BR35	1985-1974	Spicer 60 Axle:	
	(Set Components)	LM501349/LM501310		Seal	15194
1974-1972	Spicer 44 Axle & Drum Brks.:			(V-Ring)	400650
	Seal	24904		Bearing	B2414
	Bearing (Inner)	BR37	1984-1973	Spicer 44 Axle:	
	(Set Components)	LM603049/LM603011		Seal	24898
	Bearing (Outer)	BR35		Bearing	B2110
	(Set Components)	LM501349/LM501310	STEERING KNUCKLE		
1974-1969	Spicer 60 Axle & 12" X 3" Brks.:		1993-1980	Spicer 60 Axle:	
	Seal	28275		Bearing	BR23100/BR23256
	Bearing (Inner)	387-A/382-A	1971-1957	Spicer 44 Axle:	
	Bearing (Outer)	BR38		Bearing	BR11590/BR11520
	(Set Components)	LM104949/LM104911			(Continued)

• See page 256.

For all other in-text symbols, see page 6.

**(Cont.) -- DODGE TRUCK 3/4 TON, D200, D250, P200, P250, W200,
W250, R2500**

MFG./YEAR	MODEL & LOCATION	PART NO.	MFG./YEAR	MODEL & LOCATION	PART NO.
WHEEL FRONT (4 W/D) (Cont.)			WHEEL REAR (Cont.)		
STEERING KNUCKLE (Cont.)			1993-1978 Spicer 60 Axle w/12" X 3" Brks. Exc. 9,000 lb. G.V.W.:		
1971-1957	Spicer 60 Axle:		Seal		30033
	Bearing	BR23100/BR23256	Bearing (Inner)	SET416	
WHEEL REAR			(Set Components)	BR45291/BR45220	
2007-2003	All:		Bearing (Outer)	BR38	
	Bearing (Inner)	SET407	(Set Components)	LM104949/LM104911	
	(Set Components)	BR28682/BR28622	1993-1974 Spicer 60 Axle w/12" X 2.5" Brks.:		
	Bearing (Outer)	BR38	Seal	24917	
	(Set Components)	LM104949/LM104911	Bearing	[2] BR38	
2002-2001	Disc Brks.:		(Set Components)	LM104949/LM104911	
	Seal	28754	1985-1974 Spicer 70 Axle w/12" X 3" Brks.:		
	Bearing (Inner)	SET407	Seal	30033	
	(Set Components)	BR28682/BR28622	Bearing (Inner)	SET416	
	Bearing (Outer)	BR38	(Set Components)	BR45291/BR45220	
	(Set Components)	LM104949/LM104911	Bearing (Outer)	BR38	
2002-2000	12.25" X 3.5" Brks. w/o 4 W/D:		(Set Components)	LM104949/LM104911	
	Seal	28754	1977-1969 8.75" Ring Gear:		
	Bearing (Inner)	SET407	Seal (Inner)	15460	
	(Set Components)	BR28682/BR28622	Seal (Outer)	19000	
	Bearing (Outer)	BR38	Bearing	BR7	
	(Set Components)	LM104949/LM104911	(Set Components)	M201047-S/M201011	
2002-2000	12.25" X 3.5" Brks. & 4 W/D:		1973-1969 Spicer 60 Axle w/12" X 2.5" Brks.:		
	Seal	28754	Seal	26238	
	Bearing (Inner)	SET407	Bearing (Inner)	370-A/362-A	
	(Set Components)	BR28682/BR28622	Bearing (Outer)	359-S/354-A	
	Bearing (Outer)	BR38	1968-1961 All:		
	(Set Components)	LM104949/LM104911	Seal	23839	
1999-1998	13" X 2.5" Brks.:		Bearing	370-A/362-A	
	Seal	28754	1960-1959 w/o 4 W/D:		
	Bearing (Inner)	SET407	Seal	23839	
	(Set Components)	BR28682/BR28622	Bearing (Inner)	368-A/362-A	
	Bearing (Outer)	BR38	Bearing (Outer)	359-S/354-A	
	(Set Components)	LM104949/LM104911	1960-1959 4 W/D:		
1997-1994	13" X 2.5" Brks.:		Seal (Inner)	28116	
	Seal	28754	Seal (Outer)	20766	
	Bearing (Inner)	SET407	1958-1957 All:		
	(Set Components)	BR28682/BR28622	Seal (Inner)	28116	
	Bearing (Outer)	BR38	Seal (Outer)	20766	
	(Set Components)	LM104949/LM104911	Bearing (Inner)	SET407	
1997-1994	13" X 3.5" Brks.:		(Set Components)	BR28682/BR28622	
	Seal	30033	1956-1948 All:		
	Bearing (Inner)	SET416	Seal (Inner)	14423	
	(Set Components)	BR45291/BR45220	Seal (Outer)	14359	
	Bearing (Outer)	BR38	Bearing (Inner)	BR2780/2735-X	
	(Set Components)	LM104949/LM104911	AXLE SHAFT		
1996-1984	Spicer 70 Axle w/12" X 2.5" Brks.:		1995-1984 9.25" H.D. Ring Gear:		
	Seal	24917	Seal	17100	
	Bearing	[2] BR38	Bearing	R1561-TV	
	(Set Components)	LM104949/LM104911	(Axle Repair Brg. Assy.)	• R1561-F	
1993-1984	Spicer 60 Axle w/12" X 3" Brks. & 9,000 lb. G.V.W.:		1995-1974 8.25", 8.375" & 9.25" Std. Ring Gears:		
	Seal	28754	Seal	16044	
	Bearing (Inner)	SET407	Bearing	R1559-TV	
	(Set Components)	BR28682/BR28622	(Axle Repair Brg. Assy.)	• R1559	
	Bearing (Outer)	BR38	(Continued)		
	(Set Components)	LM104949/LM104911			

APPLICATIONS

TRAILER, TAG & PUSH AXLES

FRONT AXLES

DRIVE AXLES

PINION SEALS

CONMET®

LIGHT TRUCK

• See page 256.

For all other in-text symbols, see page 6.

DODGE TRUCK 3/4 TON, D200, D250, P200, P250, W200, W250, R2500 -- (Cont.)

MFG./YEAR	MODEL & LOCATION	PART NO.	MFG./YEAR	MODEL & LOCATION	PART NO.
PINION			PINION (Cont.)		
FRONT AXLE			REAR AXLE (Cont.)		
2005-2003 9.250" American Axle:			2002-2000 Spicer 70 Axle:		
	Seal	20459		Seal (Inner)	18706
	Bearing (Front)	HM88649/HM88610		(Speedi-Sleeve) (Inner)	99187
	Bearing (Rear)	HM804846/HM804810		Seal (Outer)	24816
2002-2000 Spicer 60 w/4,500 lb. & 4,850 lb. Axles:				(Speedi-Sleeve) (Outer)	99250
	Seal	16123		Bearing (Front)	HM88542/HM88510
	Bearing (Front)	HM88542/HM88510		Bearing (Rear)	HM803149/HM803110
	Bearing (Rear)	HM803146/HM803110	2001-2000 Spicer 80 Axle:		
1999-1994 Spicer 44 w/3,500 lb. & 3,850 lb. Axles:				Seal	24816
	Seal	15791		(Speedi-Sleeve)	99250
	(Speedi-Sleeve)	99155		Bearing (Front)	M802048/M802011
	Bearing (Front)	HM88649/HM88610		Bearing (Rear)	HM807046/HM807010
	Bearing (Rear)	BR02872/BR02820	1999-1994 9.25" Ring Gear:		
1999-1994 Spicer 60 w/4,500 lb. & 4,850 lb. Axles:				Seal	18708
	Seal	18896		(Speedi-Sleeve)	99187
	(Speedi-Sleeve)	99187		Bearing (Front)	BR52
	Bearing (Front)	HM88542/HM88510		(Set Components)	M88048/M88010
	Bearing (Rear)	HM803146/HM803110		Bearing (Rear)	M804049/M804010
1993-1988 Spicer 60 w/4,500 lb. Axle:			1999-1994 Spicer 60 Axle:		
	Seal	18896		Seal	18896
	(Speedi-Sleeve)	99187		(Speedi-Sleeve)	99187
	Bearing (Front)	HM88542/HM88510		Bearing (Front)	HM88542/HM88510
	Bearing (Rear)	HM803146/HM803110		Bearing (Rear)	HM803146/HM803110
1993-1974 Spicer 44 w/3,500 lb. Axle:			1999-1994 Spicer 70 Axle:		
	Seal	15788		Seal	18896
	(Speedi-Sleeve)	99155		(Speedi-Sleeve)	99187
	Bearing (Front)	BR31594/BR31520		Bearing (Front)	HM88542/HM88510
	Bearing (Rear)	BR02872/BR02820		Bearing (Rear)	HM803149/HM803110
1987-1978 Spicer 60 w/4,500 lb. Axle:			1999-1994 Spicer 80 Axle:		
	Seal	18891		Seal	25140
	(Speedi-Sleeve)	99187		(Speedi-Sleeve)	99250
	Bearing (Front)	HM88542/HM88510		Bearing (Front)	M802048/M802011
	Bearing (Rear)	HM803146/HM803110		Bearing (Rear)	HM807046/HM807010
1977-1974 Spicer 60 Axle:			1993-1988 8.250" & 8.375" Ring Gears:		
	Seal	18891		Seal	16805
	(Speedi-Sleeve)	99187		(Speedi-Sleeve)	99168
	Bearing (Front)	HM88542/HM88510		Bearing (Front)	M86649/M86610
	Bearing (Rear)	HM807040/HM807010		Bearing (Rear)	M802048/M802011
1973-1963 4 W/D:			1993-1988 Spicer 60 Axle:		
	Seal	15788		Seal	18896
	(Speedi-Sleeve)	99155		(Speedi-Sleeve)	99187
	Bearing (Front)	BR31594/BR31520		Bearing (Front)	HM88542/HM88510
	Bearing (Rear)	BR02872/BR02820		Bearing (Rear)	HM803146/HM803110
REAR AXLE			1993-1988 Spicer 70 & 71 Axles:		
2005-2003 American 10.50" Axle:				Seal	18896
	Seal	23244		(Speedi-Sleeve)	99187
2005-2003 American 11.50" Axle:				Bearing (Front)	HM88542/HM88510
	Seal	23244		Bearing (Rear)	HM803149/HM803110
	Bearing (Rear)	HM807046/HM807010	1993-1974 9.25" Ring Gear:		
2002 Spicer 80 Axle:				Seal	18708
	Bearing (Front)	M802048/M802011		(Speedi-Sleeve)	99187
	Bearing (Rear)	HM807046/HM807010		Bearing (Front)	BR52
2002-2000 Spicer 60 Axle:				(Set Components)	M88048/M88010
	Seal	18706		Bearing (Rear)	M804049/M804010
	(Speedi-Sleeve)	99187	1987-1986 8.25" Ring Gear:		
	Bearing (Front)	HM88542/HM88510		Seal	16805
	Bearing (Rear)	HM803146/HM803110		(Speedi-Sleeve)	99168
				Bearing (Front)	M86649/M86610
				Bearing (Rear)	M802048/M802011

(Continued)

**(Cont.) -- DODGE TRUCK 3/4 TON, D200, D250, P200, P250, W200,
W250, R2500**

MFG./YEAR	MODEL & LOCATION	PART NO.	MFG./YEAR	MODEL & LOCATION	PART NO.
PINION (Cont.)			PINION (Cont.)		
REAR AXLE (Cont.)			REAR AXLE (Cont.)		
1987-1972 Spicer 60 Axle:			1960-1959 2 W/D:		
Seal		18891	Seal		18888
(Speedi-Sleeve)		99187	(Speedi-Sleeve)		99187
Bearing (Front)	HM88542/HM88510		Bearing (Front)	BR52	
Bearing (Rear)	HM803146/HM803110		(Set Components)	M88048/M88010	
1985-1984 Spicer 70 Axle:			1960-1959 4 W/D:		
Seal		18891	Seal		18924
(Speedi-Sleeve)		99187	(Speedi-Sleeve)		99187
Bearing (Front)	HM88542/HM88510		Bearing (Front)	BR3878/BR3820	
Bearing (Rear)	HM803146/HM803110		1958-1946 All:		
1971-1969 Spicer 60 & 70 Axles w/5380 & 7260			Seal		
Series Joints:			(Speedi-Sleeve)		
Seal		18891	18880		
(Speedi-Sleeve)		99187	(Speedi-Sleeve)		
Bearing (Front)	HM88542/HM88510		99187		
Bearing (Rear)	HM803146/HM803110		18888		
1968-1961 All:			Seal		
Seal		18888	(Speedi-Sleeve)		
(Speedi-Sleeve)		99187	99187		
Bearing (Front)	HM88542/HM88510		18888		
Bearing (Rear)	HM803146/HM803110		(Speedi-Sleeve)		

**DODGE TRUCK 1 TON, D300, D350, M300, M350, P300, P350, W300,
W350, R3500**

WHEEL FRONT (2 W/D)			WHEEL FRONT (2 W/D) (Cont.)		
2005-2003 All:			1978-1969 M.H.C.:		
Hub Assembly		BR930475	Seal		22835
1999-1994 All:			Bearing (Inner)	BR37	
Seal		21756	(Set Components)	LM603049/LM603011	
Bearing (Inner)	BR35		Bearing (Outer)	BR15101/BR15245	
(Set Components)	LM501349/LM501310		1977-1974 Exc. H.D. Axle:		
Bearing (Outer)	BR15101/BR15245		Seal		19500
1993-1984 5 Stud Hub:			Bearing (Inner)	BR17	
Seal		20425	(Set Components)	L68149/L68111	
Bearing (Inner)	BR11		Bearing (Outer)	BR16	
(Set Components)	JL69349/JL69310		(Set Components)	LM12749/LM12711	
Bearing (Outer)	BR16		1977-1974 H.D. Axle:		
(Set Components)	LM12749/LM12711		Seal		22835
1993-1984 8 Stud Hub:			Bearing	[2] BR15101/BR15245	
Seal		22835	1973-1963 Exc. M.H.C.:		
Bearing (Inner)	BR35		Seal		22835
(Set Components)	LM501349/LM501310		Bearing (Inner)	BR35	
Bearing (Outer)	BR15101/BR15245		(Set Components)	LM501349/LM501310	
1983-1982 3,300 & 3,600 lb. Axles:			Bearing (Outer)	BR15101/BR15245	
Seal		22835	1957-1954 All:		
Bearing (Inner)	BR35		Bearing (Inner)	14138-A/BR14276	
(Set Components)	LM501349/LM501310		Bearing (Outer)	BR12580/BR12520	
Bearing (Outer)	BR15101/BR15245		1953-1946 All:		
1981-1979 M.H.C.:			Seal		
Seal		24459	17415		
Bearing (Inner)	BR25590/BR25520		WHEEL FRONT (4 W/D)		
Bearing (Outer)	BR14116/BR14276		2006 Mega Cab w/ABS:		
1981-1978 Exc. M.H.C.:			Hub Assembly (R.H.)		
Seal		22835	BR930492		
Bearing (Inner)	BR35		2005-2003 All:		
(Set Components)	LM501349/LM501310		Hub Assembly		
Bearing (Outer)	BR15101/BR15245		BR930502		
2002-2000 All:			2002-2000 All:		
Hub Assembly			Hub Assembly		
BR930203			BR930203		
(Continued)					

APPLI-CATIONS

TRAILER, TAG & PUSH-ER AXLES

FRONT AXLES

DRIVE AXLES

PINION SEALS

CONMET®

LIGHT TRUCK

DODGE TRUCK 1 TON, D300, D350, M300, M350, P300, P350, W300, W350, R3500 -- (Cont.)

MFG./YEAR	MODEL & LOCATION	PART NO.	MFG./YEAR	MODEL & LOCATION	PART NO.
WHEEL FRONT (4 W/D) (Cont.)			WHEEL FRONT (4 W/D) (Cont.)		
1999-1998	w/Dual Rr. Whls. & ABS:		AXLE SHAFT (Cont.)		
	Hub Assembly (L.H.)	BR930491	1999-1994	Spicer 60 Axle:	
	Hub Assembly (R.H.)	BR930492		Seal (L.H.)	13165
1999-1998	w/Dual Rr. Whls. w/o ABS:			Seal (R.H.)	16015
	Hub Assembly	BR930451	1993-1990	Spicer 60 4,500 lb. Axle:	
1997-1994	All:			Seal	15194
	Hub Assembly	BR930451		(V-Ring)	400659
1993-1985	Spicer 44 3,500 lb. Axle:		1989-1988	Spicer 60 Axle:	
	Seal	24917		Seal	18896
	Bearing (Inner)	LM104949/JLM104910	1987-1970	Spicer 60 Axle:	
	Bearing (Outer)	BR35		Seal	18891
	(Set Components)	LM501349/LM501310	1985-1982	Spicer 44 Axle:	
1993-1974	Spicer 60 4,500 lb. Axle:			Seal	13165
	Seal	27452	1969-1961	Spicer 60 Axle:	
	Bearing (Inner)	387-A/382-A		Seal	18888
	Bearing (Outer)	BR38	SPINDLE HUB		
	(Set Components)	LM104949/LM104911	1992-1990	Spicer 60 Axle:	
1984-1982	Spicer 44 Axle:			Seal	711822
	Seal	24898		(V-Ring)	400659
	Bearing (Inner)	LM104949/JLM104910		Bearing	B2414
	Bearing (Outer)	BR35		Seal & Bearing Kit	BK3
	(Set Components)	LM501349/LM501310	1989-1986	Spicer 60 Axle:	
1973-1969	Spicer 60 Axle & 12" x 3" Brks.:			Seal	711822
	Seal	28275		Bearing	B2414
	Bearing (Inner)	387-A/382-A	1985	Spicer 44 Axle:	
	Bearing (Outer)	BR37		Seal (Inner)	22311
	(Set Components)	LM603049/LM603011		Seal (Outer)	711818
1968-1963	5,000 lb. Axle:			Bearing	B2110
	Seal	24459		Seal & Bearing Kit	BK1
	Bearing (Inner)	BR25590/BR25520	1985-1974	Spicer 60 Axle:	
	Bearing (Outer)	BR14116/BR14276		Seal	15194
1968-1958	8,000 lb. Axle:			Bearing	B2414
	Seal	28275	1984-1973	Spicer 44 Axle:	
	Bearing (Inner)	BR469/453-X		Seal	24898
	Bearing (Outer)	BR28580/BR28521		Bearing	B2110
1962-1954	Std. & 2,800 lb. Axles:		STEERING KNUCKLE		
	Seal	17836	1974-1959	All:	
	Bearing (Inner)	BR5		Bearing	BR23100/BR23256
	(Set Components)	LM48548/LM48510	1958-1957	All:	
	Bearing (Outer)	BR3		Bearing	BR23100/BR23256
	(Set Components)	M12649/M12610	WHEEL REAR		
1962-1954	3,750, 4,000 & 7,000 lb. Axles:		2006-2003	Regular Cab w/120.5" W.B.:	
	Seal	22835		Bearing (Inner)	SET407
	Bearing (Inner)	BR37		(Set Components)	BR28682/BR28622
	(Set Components)	LM603049/LM603011		Bearing (Outer)	BR38
	Bearing (Outer)	BR15101/BR15245		(Set Components)	LM104949/LM104911
1958-1957	All:		2005-2003	Quad Cab w/140.5" W.B.:	
	Bearing (Inner)	SET407		Bearing (Inner)	SET416
	(Set Components)	BR28682/BR28622		(Set Components)	BR45291/BR45220
	Bearing (Outer)	BR2984/BR2924	2005-2003	Regular Cab w/140.5" W.B.:	
1953-1946	All:			Seal	28545
	Seal	17415		Bearing (Inner)	SET416
AXLE SHAFT				(Set Components)	BR45291/BR45220
2002	Vacuum Disconnect Axle:			Bearing (Outer)	BR38
	Seal (L.H.)	14694		(Set Components)	LM104949/LM104911
	Seal (R.H.)	19208			(Continued)
2002	w/o Vacuum Disconnect Axle:				
	Seal	14694			
2001-2000	Spicer 60 Axle w/4,500 lb. & 4,850 lb. Axles:				
	Seal (L.H.)	14694			
	Seal (R.H.)	19208			

• See page 256.

For all other in-text symbols, see page 6.

(Cont.) -- DODGE TRUCK 1 TON, D300, D350, M300, M350, P300, P350, W300, W350, R3500

MFG./YEAR	MODEL & LOCATION	PART NO.	MFG./YEAR	MODEL & LOCATION	PART NO.
WHEEL REAR (Cont.)			WHEEL REAR (Cont.)		
2005-2003	Quad Cab w/160.5" W.B.:		1968-1961	All:	
	Seal	28545		Seal	28116
	Bearing (Inner)	SET416		Bearing (Inner)	SET407
	(Set Components)	BR45291/BR45220		(Set Components)	BR28682/BR28622
	Bearing (Outer)	BR38		Bearing (Outer)	BR28580/BR28521
	(Set Components)	LM104949/LM104911			
2002-2001	Disc. Brks.:		AXLE SHAFT		
	Seal	30033	1995-1985	9.25" Ring Gear Exc. H.D. Axle:	
	Bearing (Inner)	SET416		Seal	16044
	(Set Components)	BR45291/BR45220		Bearing	R1559-TV
	Bearing (Outer)	BR38		(Axle Repair Brg. Assy.)	• R1559
	(Set Components)	LM104949/LM104911	1995-1985	9.25" Ring Gear w/H.D. Axle:	
2002-2000	12.25" X 3.5" Brks.:			Seal	17100
	Seal	30033		Bearing	R1561-TV
	Bearing (Inner)	SET416		(Axle Repair Brg. Assy.)	• R1561-F
	(Set Components)	BR45291/BR45220	PINION		
	Bearing (Outer)	BR38	FRONT AXLE		
	(Set Components)	LM104949/LM104911	2005-2003	American 9.25" Axle:	
2000-1994	13" X 3.5" Brks.:			Seal	20459
	Seal	30033		Bearing (Front)	HM88649/HM88610
	Bearing (Inner)	SET416		Bearing (Rear)	HM804846/HM804810
	(Set Components)	BR45291/BR45220	2002-2000	Spicer 60 Axle (4,500 lb. & 4,850 lb.):	
	Bearing (Outer)	BR38		Bearing (Front)	HM88542/HM88510
	(Set Components)	LM104949/LM104911		Bearing (Rear)	HM803146/HM803110
1993-1978	Spicer 60 & 70 Axles w/12" X 3" Brks. w/o 9,000 lb. G.V.W.:		1999-1994	Spicer 60 Axle (4,500 lb. & 4,850 lb.):	
	Seal	30033		Seal	18896
	Bearing (Inner)	SET416		(Speedi-Sleeve)	99187
	(Set Components)	BR45291/BR45220		Bearing (Front)	HM88542/HM88510
	Bearing (Outer)	BR38		Bearing (Rear)	HM803146/HM803110
	(Set Components)	LM104949/LM104911	1993-1978	Spicer 60 Axle:	
1993-1978	Spicer 60 & 70 Axles w/12" X 3" Brks. & 9,000 lb. G.V.W.:			Seal	18891
	Seal	28754		(Speedi-Sleeve)	99187
	Bearing (Inner)	SET407		Bearing (Front)	HM88542/HM88510
	(Set Components)	BR28682/BR28622		Bearing (Rear)	HM803146/HM803110
	Bearing (Outer)	BR38	1986-1982	Spicer 44 Axle:	
	(Set Components)	LM104949/LM104911		Seal	15788
1993-1977	Spicer 60 & 70 Axles w/12" X 2.5" Brks.:			(Speedi-Sleeve)	99155
	Seal	24917		Bearing (Front)	BR31594/BR31520
	Bearing	[2] BR38		Bearing (Rear)	BR02872/BR02820
	(Set Components)	LM104949/LM104911	1977-1972	Spicer 60 Axle:	
1977-1972	Spicer 60 Axle w/Dual Rr. Whls.:			Seal	18891
	Seal	30033		(Speedi-Sleeve)	99187
	Bearing (Inner)	SET416		Bearing (Front)	HM88542/HM88510
	(Set Components)	BR45291/BR45220		Bearing (Rear)	HM807040/HM807010
	Bearing (Outer)	BR38	1971-1960	All:	
	(Set Components)	LM104949/LM104911		Seal	18888
1976-1969	Spicer 60 Axle w/Single Rr. Whls.:			(Speedi-Sleeve)	99187
	Seal	26238		Bearing (Front)	HM88542/HM88510
	Bearing (Inner)	370-A/362-A		Bearing (Rear)	HM807040/HM807010
	Bearing (Outer)	359-S/354-A	REAR AXLE		
1971-1969	8.75" Ring Gear:		2005-2003	American 11.50" Axle:	
	Seal (Inner)	15460		Seal	23244
	Seal (Outer)	19000		Bearing (Rear)	HM807046/HM807010
	Bearing	BR7	2002	Spicer 80 Axle:	
	(Set Components)	M201047-S/M201011		Bearing (Front)	M802048/M802011
				Bearing (Rear)	HM807046/HM807010

(Continued)

APPLICATIONS
 TRAILER, TAG & PUSHER AXLES
 FRONT AXLES
 DRIVE AXLES
 PINION SEALS
 CONMET®
 LIGHT TRUCK

DODGE TRUCK 1 TON, D300, D350, M300, M350, P300, P350, W300, W350, R3500 -- (Cont.)

MFG./YEAR	MODEL & LOCATION	PART NO.	MFG./YEAR	MODEL & LOCATION	PART NO.
PINION (Cont.)			PINION (Cont.)		
REAR AXLE (Cont.)			REAR AXLE (Cont.)		
2001-2000 Spicer 80 Axle:			1983-1972 Spicer 70 Axle w/7290 Yoke:		
	Seal (Inner)	24816		Seal	18888
	(Speedi-Sleeve) (Inner)	99250		(Speedi-Sleeve)	99187
	Seal (Outer)	400700		Bearing (Front)	HM88542/HM88510
	Bearing (Front)	M802048/M802011		Bearing (Rear)	HM807040/HM807010
	Bearing (Rear)	HM807046/HM807010	1971-1969 8.75" Ring Gear:		
1999-1994 Spicer 80 Axle:				Seal	18888
	Seal	25140		(Speedi-Sleeve)	99187
	(Speedi-Sleeve)	99250		Bearing (Front)	HM88542/HM88510
	Bearing (Front)	M802048/M802011		Bearing (Rear)	HM807040/HM807010
	Bearing (Rear)	HM807046/HM807010	1968-1963 All:		
1993-1988 Spicer 60 Axle:				Seal	18891
	Seal	18896		(Speedi-Sleeve)	99187
	(Speedi-Sleeve)	99187		Bearing (Front)	HM88542/HM88510
	Bearing (Front)	HM88542/HM88510		Bearing (Rear)	HM807040/HM807010
	Bearing (Rear)	HM803146/HM803110	1962-1958 4 W/D:		
1993-1988 Spicer 70 & 71 Axles:				Seal	18888
	Seal	18896		(Speedi-Sleeve)	99187
	(Speedi-Sleeve)	99187		Bearing (Front)	HM88542/HM88510
	Bearing (Front)	HM88542/HM88510		Bearing (Rear)	HM807040/HM807010
	Bearing (Rear)	HM803149/HM803110	1960-1957 Exc. 4 W/D:		
1991-1986 9.25" Ring Gear:				Seal	18924
	Seal	18708		(Speedi-Sleeve)	99187
	(Speedi-Sleeve)	99187		Bearing (Front)	BR3878/BR3820
	Bearing (Front)	BR52	1956-1946 Exc. 4 W/D:		
	(Set Components)	M88048/M88010		Seal	18924
	Bearing (Rear)	M804049/M804010		(Speedi-Sleeve)	99187
1987-1986 Spicer 70 & 71 Axles:					
	Seal	18891			
	(Speedi-Sleeve)	99187			
	Bearing (Front)	HM88542/HM88510			
	Bearing (Rear)	HM803149/HM803110			
1987-1974 Spicer 60 Axle:					
	Seal	18891			
	(Speedi-Sleeve)	99187			
	Bearing (Front)	HM88542/HM88510			
	Bearing (Rear)	HM803146/HM803110			
1985-1972 Spicer 70 Axle w/5380 & 7260 Yoke:					
	Seal	18891			
	(Speedi-Sleeve)	99187			
	Bearing (Front)	HM88542/HM88510			
	Bearing (Rear)	HM807040/HM807010			

DODGE TRUCK 1 1/2 TON, 2 TON, 400 SERIES, 500 SERIES

WHEEL FRONT (2 W/D)

1981-1969 5,000 lb. Axle:		
	Seal	24459
	Bearing (Inner)	BR25590/BR25520
	Bearing (Outer)	BR14116/BR14276
1973-1972 4,000 lb. Axle:		
	Bearing (Inner)	BR47490/BR47420
	Bearing (Outer)	BR14116/BR14276
1971-1963 7,000 lb. Axle:		
	Seal	28828

WHEEL FRONT (2 W/D) (Cont.)

1971-1958 4,000 lb. Axle:		
	Seal	22835
	Bearing (Inner)	BR37
	(Set Components)	LM603049/LM603011
	Bearing (Outer)	BR15101/BR15245
1956-1948 DU Route Van:		
	Bearing Only	BR12580/BR12520

(Continued)

(Cont.) -- DODGE TRUCK 1 1/2 TON, 2 TON, 400 SERIES, 500 SERIES

MFG./YEAR	MODEL & LOCATION	PART NO.	MFG./YEAR	MODEL & LOCATION	PART NO.	
WHEEL FRONT (4 W/D)			PINION			
1981-1977 Spicer 60 Axle:			1981-1977 4 W/D w/Spicer 60 Axle:			
	Seal	27452		Seal	18891	
	Bearing (Inner)	387-A/382-A		(Speedi-Sleeve)	99187	
	Bearing (Outer)	BR38		Bearing (Front)	HM88542/HM88510	
	(Set Components)	LM104949/LM104911		Bearing (Rear)	HM803146/HM803110	
SPINDLE HUB			REAR AXLE			
1981-1977 Spicer 60 Axle:			1981-1979 Spicer 70 Axle:			
	Seal	15194		Seal	18891	
	(V-Ring)	400650		(Speedi-Sleeve)	99187	
WHEEL REAR			Bearing (Front)			HM88542/HM88510
1981-1974 Spicer 70 Axle w/12" x 3" Brks.:			Bearing (Rear)			HM807040/HM807010
	Seal	30033	1978-1972 Spicer 70 Axle:			
	Bearing (Inner)	SET416		Seal (.531" Width)	18888	
	(Set Components)	BR45291/BR45220		(Speedi-Sleeve) (.531" Width)	99187	
	Bearing (Outer)	BR38		Seal (.770" Width)	18891	
	(Set Components)	LM104949/LM104911		(Speedi-Sleeve) (.770" Width)	99187	
1981-1974 Spicer 70 Axle w/15" x 4" Brks.:				Bearing (Front)	HM88542/HM88510	
	Seal	33136		Bearing (Rear)	HM807040/HM807010	
	Bearing (Inner)	BR3982/BR3920	1977-1975 Rockwell Std. F140D Axle From 4/2/75:			
	Bearing (Outer)	BR3767/BR3730		Seal	22619	
1977-1972 Rockwell Std. F140D Axle:				(Speedi-Sleeve)	99225	
	Scotseal	32470		Bearing (Front)	HM803146/HM803110	
	Bearing (Inner)	BR33287/BR33462		Bearing (Pilot)	MU1305UM18	
	Bearing (Outer)	BR3984/BR3920		Bearing (Rear)	HM903247/HM903216	
1973-1972 Spicer 70 Axle w/Dual Rr. Whls.:			1975-1972 Rockwell Std. F140D Axle Thru 4/1/75:			
	Seal	33136		Seal	22425	
	Bearing (Inner)	BR3984/BR3920		(Speedi-Sleeve)	99225	
	Bearing (Outer)	BR3767/BR3730		Bearing (Front)	HM903249-A/HM903216	
1971-1963 RA115 IHC Axle:				Bearing (Pilot)	MU1305UM18	
	Scotseal	32470		Bearing (Rear)	HM903247/HM903216	
	Bearing (Inner)	BR3984/BR3920	1973-1965 Rockwell Std. F147 Axle From 3/2/65:			
	Bearing (Outer)	BR462/453-X		Seal	22425	
1971-1963 Eaton 1350A5, 13802 & Rockwell Std. F147 Axles:				(Speedi-Sleeve)	99225	
	Seal	33807		Bearing (Front)	HM903249-A/HM903216	
	Bearing (Inner)	BR33287/BR33462		Bearing (Pilot)	MU1305UM18	
	Bearing (Outer)	BR3982/BR3920		Bearing (Rear)	HM903247/HM903216	
1956-1954 F & G Series:			1973-1963 Eaton 13802 Axle:			
	Seal	32470		Seal	22424	
	Bearing (Inner)	BR3984/BR3920		(Speedi-Sleeve)	99225	
	Bearing (Outer)	BR462/453-X		Bearing (Front)	[2] HM903249/HM903210	
1956-1948 DU Route Van:				Bearing (Pilot)	MU1305TM17	
	Bearing (Inner)	SET407		Bearing (Rear)	HM903249/HM903210	
	(Set Components)	BR28682/BR28622	1965-1963 Rockwell Std. F147 Axle Thru 3/1/65:			
	Bearing (Outer)	BR2984/BR2924		Seal	22425	
1956-1948 EU Route Van:				(Speedi-Sleeve)	99225	
	Bearing (Inner)	SET407		Bearing (Front)	HM903249-A/HM903216	
	(Set Components)	BR28682/BR28622		Bearing (Pilot)	MU1305TM17	
1956-1948 H, HM, J & JM Series:				Bearing (Rear)	HM903247/HM903216	
	Bearing (Inner)	BR33281/BR33462	CONMET®			
	Bearing (Outer)	BR3982/BR3920	LIGHT TRUCK			
1956-1948 K & KM Series:						
	Bearing (Inner)	BR42688/BR42620				
	Bearing (Outer)	SET408				
	(Set Components)	BR39590/BR39520				

• See page 256.

For all other in-text symbols, see page 6.

APPLICATIONS
TRAILER, TAG & PUSHER AXLES
FRONT AXLES
DRIVE AXLES
PINION SEALS
CONMET®
LIGHT TRUCK

FORD TRUCK AEROSTAR, BRONCO II, EXCURSION, EXPEDITION, EXPLORER, EXPLORER SPORT, EXPLORER SPORT TRAC, RANGER

MFG./YEAR MODEL & LOCATION PART NO.

WHEEL FRONT (2 W/D)

2007 Ranger:	
Seal	19223
Bearing (Inner)	BR5
(Set Components)	<i>LM48548/LM48510</i>
Bearing (Outer)	BR2
(Set Components)	<i>LM11949/LM11910</i>
2006-2002 Expedition:	
Hub Assembly	BR930457
2006-2002 Explorer Exc. Sport & Sport Trac Thru 7/19/05:	
Hub Assembly	BR930456
2006-2001 Explorer Sport, Explorer Sport Trac & Ranger:	
Seal	19223
Bearing (Inner)	BR5
(Set Components)	<i>LM48548/LM48510</i>
Bearing (Outer)	BR2
(Set Components)	<i>LM11949/LM11910</i>
2005-2000 Excursion:	
Seal	24017
Bearing (Inner)	BR50
(Set Components)	<i>LM102949/LM102910</i>
Bearing (Outer)	BR15101/BR15245
2002-1997 Expedition:	
Seal	19743
Bearing (Inner)	BR11
(Set Components)	<i>JL69349/JL69310</i>
Bearing (Outer)	BR12
(Set Components)	<i>LM12749/LM12710</i>
2001 Explorer:	
Seal	19223
Bearing (Inner)	BR5
(Set Components)	<i>LM48548/LM48510</i>
Bearing (Outer)	BR2
(Set Components)	<i>LM11949/LM11910</i>
2000-1995 Explorer & Ranger:	
Seal	19223
Bearing (Inner)	BR5
(Set Components)	<i>LM48548/LM48510</i>
Bearing (Outer)	BR2
(Set Components)	<i>LM11949/LM11910</i>
1997-1995 Aerostar:	
Seal (Boretite)	19214
Seal (Exc. Boretite)	19221
Bearing (Inner)	BR6
(Set Components)	<i>LM67048/LM67010</i>
Bearing (Outer)	BR2
(Set Components)	<i>LM11949/LM11910</i>
1994-1983 Aerostar, Bronco II, Explorer & Ranger:	
Seal (Boretite)	19214
Seal (Exc. Boretite)	19221
Bearing (Inner)	BR6
(Set Components)	<i>LM67048/LM67010</i>
Bearing (Outer)	BR2
(Set Components)	<i>LM11949/LM11910</i>

WHEEL FRONT (4 W/D)

2007-2003 Ranger w/4 Whl. ABS:	
Seal	26247
Hub Assembly	BR930345
2006-2003 Expedition:	
Hub Assembly	BR930453

MFG./YEAR MODEL & LOCATION PART NO.

WHEEL FRONT (4 W/D) (Cont.)

2006-2002 Explorer Exc. Sport & Sport Trac:	
Hub Assembly	BR930456
2006-2000 Ranger w/Rr. Whl. ABS:	
Seal	26247
Hub Assembly	BR930344
2005-2003 Explorer Sport & Explorer Sport Trac:	
Hub Assembly	BR930452
2005-2002 Excursion w/Fine Threaded Studs:	
Hub Assembly	BR930438
2005-2000 Excursion w/Coarse Threaded Studs:	
Hub Assembly	BR930420
2002-2001 Explorer Sport & Explorer Sport Trac:	
Seal	25013
Hub Assembly	BR930252
2002-2000 Ranger w/4 Whl. ABS:	
Seal	26247
Hub Assembly	BR930343
2002-1999 Expedition From 11/29/99:	
Hub Assembly	BR930236
2001-1995 Explorer:	
Seal	25013
Hub Assembly	BR930252
1999-1998 Ranger w/4 Whl. ABS:	
Seal	26247
Hub Assembly	BR930342
1999-1998 Ranger w/Rr. Whl. ABS:	
Seal	26247
Hub Assembly	BR930341
1999-1997 Expedition Thru 11/29/99:	
Hub Assembly	BR930208
1997-1990 Bronco II & Ranger:	
Seal	24917
Bearing	[2] BR37
(Set Components)	<i>LM603049/LM603011</i>
1994-1991 Explorer:	
Seal	24917
Bearing	[2] BR37
(Set Components)	<i>LM603049/LM603011</i>
1989-1983 Thru 10/89:	
Seal	21400
Bearing	[2] BR35
(Set Components)	<i>LM501349/LM501310</i>
AXLE SHAFT	
2006-1998 Ranger:	
Seal (L.H.)	13757
Seal (R.H.)	17520
2004-2000 Excursion:	
Seal (Inner)	28600
Bearing	B2110
2004-1997 Expedition:	
Bearing (Inner)	HK4012
Bearing (Outer)	FC66998
2001-1995 Explorer:	
Seal (L.H.)	13757
Seal (R.H.)	17520
Bearing	R1563-TAV
(Axle Repair Brg. Assy.)	• R1563

(Continued)

**(Cont.) -- FORD TRUCK AEROSTAR, BRONCO II, EXCURSION,
EXPEDITION, EXPLORER, EXPLORER SPORT, EXPLORER SPORT
TRAC, RANGER**

MFG./YEAR	MODEL & LOCATION	PART NO.	MFG./YEAR	MODEL & LOCATION	PART NO.
WHEEL FRONT (4 W/D) (Cont.)			WHEEL FRONT (4 W/D) (Cont.)		
AXLE SHAFT (Cont.)			SPINDLE HUB (Cont.)		
1997-1996	Ranger w/3.73 Ratio, 4.0L Eng., 4 Whl. ABS & Man. Locking Hubs:		1994-1993	Explorer & Ranger:	
	Seal (L.H.)	12925		Seal (Inner)	18844
	Seal (R.H.)	14247		Seal (Outer)	13144
	Bearing	R1563-TAV		Bearing	B2110
	(Axle Repair Brg. Assy.)	• R1563	1992-1990	All:	
1997-1990	3.45 & 4.10 Ratios Exc. Explorer:			Seal	22311
	Seal (L.H.)	11702		Bearing	B2110
	Seal (R.H.)	13750	1989-1983	All:	
	Bearing	BH2212		Seal (Inner)	17846
1996-1995	Ranger w/3.73 Ratio, 3.0L Eng., 4 Whl. ABS & Man. Locking Hubs:			Seal (Outer)	11050
	Seal (L.H.)	11702		Bearing	SCE188
	Seal (R.H.)	13750		Seal & Bearing Kit	BK4
	Bearing	BH2212	WHEEL FRONT (A.W.D.)		
1995-1993	Ranger w/3.73 Ratio, 4.0L Eng. & 4 Whl. ABS:		2004-2003	Explorer Exc. Sport & Sport Trac:	
	Seal (L.H.)	12925		Hub Assembly	BR930456
	Seal (R.H.)	14247	2001-1999	Explorer:	
	Bearing	R1563-TAV		Hub Assembly	BR930456
	(Axle Repair Brg. Assy.)	• R1563	1997-1990	Aerostar:	
1994-1993	Explorer w/3.55 & 3.73 Ratios:			Hub Assembly	BR930116
	Seal (L.H.)	12925	AXLE SHAFT		
	Seal (R.H.)	14247	2004-2003	Explorer:	
	Bearing	R1563-TAV		Seal (L.H.)	13757
	(Axle Repair Brg. Assy.)	• R1563		Seal (R.H.)	17520
1994-1993	Ranger w/3.73 Ratio, 3.0L Eng. & Auto. Trans.:			Bearing	R1563-TAV
	Seal (L.H.)	11702		(Axle Repair Brg. Assy.)	• R1563
	Seal (R.H.)	13750	WHEEL REAR		
	Bearing	R1563-TAV	2007	Explorer Sport Trac:	
	(Axle Repair Brg. Assy.)	• R1563		Bearing	GRW259
1994-1993	Ranger w/3.73 Ratio, 3.0L Eng. & Man. Trans.:		2007-2002	Explorer Exc. Sport & Sport Trac:	
	Seal (L.H.)	12925		Sealed Bearing	GRW259
	Seal (R.H.)	14247		Hub Assembly (Kit)	BR930259K
	Bearing	R1563-TAV	2007-2002	Ranger:	
1992-1990	Exc. Aerostar w/o 3.45 Ratio & 4.10 Ratio:			Seal	13992
	Seal (L.H.)	12925		Bearing	R1563-TAV
	Seal (R.H.)	14247		(Axle Repair Brg. Assy.)	• R1563
	Bearing	R1563-TAV	2005-2002	Explorer Sport & Sport Trac:	
1989-1983	Thru 10/89 Exc. Aerostar:			Seal	16044
	Seal (L.H.)	11702		Bearing	R1559-TV
	Seal (R.H.)	13750		(Axle Repair Brg. Assy.)	• R1559
	Bearing	BH2212	2005-2000	Excursion:	
SPINDLE HUB				Seal	29472
2004-2001	Excursion:			Bearing (Inner)	NP114036/NP064306
	Seal	21918		Bearing (Outer)	BR38
1997-1995	Explorer:			(Set Components)	LM104949/LM104911
	Seal (Inner)	18844	2004-1998	Electric Ranger:	
	Seal (Outer)	13144		Sealed Bearing	FW115
	Bearing	B2110	2002-1997	Expedition:	
1997-1995	Ranger:			Seal	17327
	Seal (Inner)	18844		Bearing	R1561-TV
	Seal (Outer)	25013		(Axle Repair Brg. Assy.)	• R1561-F
	Bearing	B2110	2001-1991	Explorer:	
				Seal	16044
				Bearing	R1559-TV
				(Axle Repair Brg. Assy.)	• R1559
				(Continued)	

• See page 256.

For all other in-text symbols, see page 6.

APPLICATIONS
 TRAILER, TAG & PUSH AXLES
 FRONT AXLES
 DRIVE AXLES
 PINION SEALS
 CONMET®
 LIGHT TRUCK

FORD TRUCK AEROSTAR, BRONCO II, EXCURSION, EXPEDITION, EXPLORER, EXPLORER SPORT, EXPLORER SPORT TRAC, RANGER -- (Cont.)

MFG./YEAR MODEL & LOCATION PART NO.

WHEEL REAR (Cont.)

- 2001-1984 Aerostar, Bronco II & Ranger Exc. Electric Ranger w/o Spicer 30 Axle:**
- Seal13992
- Bearing R1563-TAV
(Axle Repair Brg. Assy.) • R1563
- 1990-1987 Aerostar w/Spicer 30 Axle:**
- Seal16735
- Bearing BR9
- 1983 Ranger w/6.75" Ring Gear:**
- Seal13700
- Sealed Bearing w/Lock Ring RW207-CCRA
- 1983 Ranger w/7.50" Ring Gear:**
- Seal13992
- Bearing R1563-TAV
(Axle Repair Brg. Assy.) • R1563

AXLE SHAFT

- 2005-2003 Expedition:**
- Bearing FC66998

PINION

FRONT AXLE

- 2005-2001 Explorer Sport & Sport Trac:**
- Seal18472
- Bearing (Front) M86649/M86610
- Bearing (Rear) BR90
(Set Components) HM88648/HM88610
- 2005-2001 Excursion:**
- Seal15503
(Speedi-Sleeve)99155
- Bearing (Front) BR02872/BR02820
- Bearing (Rear) HM803146/HM803110
- 2005-1999 Ranger:**
- Seal18472
- Bearing (Front) M86649/M86610
- Bearing (Rear) BR90
(Set Components) HM88648/HM88610
- 2005-1997 Expedition:**
- Seal18190
- Bearing (Front) BR52
(Set Components) M88048/M88010
- Bearing (Side) [2] HK4012
- Bearing (Rear) M802048/M802011
- 2004-2001 Explorer Exc. Sport & Sport Trac:**
- Seal18472
- Bearing (Front) M86649/M86610
- Bearing (Rear) HM88649/HM88610
- 2000 Excursion:**
- Seal15503
(Speedi-Sleeve)99155
- Bearing (Front) BR02872/BR02820
- Bearing (Rear) HM88649/HM88610
- 2000-1995 Explorer:**
- Seal18472
- Bearing (Front) M86649/M86610
- Bearing (Rear) BR90
(Set Components) HM88648/HM88610

MFG./YEAR MODEL & LOCATION PART NO.

PINION (Cont.)

FRONT AXLE (Cont.)

- 1998-1995 Ranger:**
- Seal18159
(Speedi-Sleeve)99181
- Bearing (Front) M86649/M86610
- Bearing (Rear) BR90
(Set Components) HM88648/HM88610
- 1997-1990 Aerostar:**
- Seal15502
(Speedi-Sleeve)99155
- Bearing (Front) BR52
(Set Components) M88048/M88010
- Bearing (Rear) M86649/M86610
- 1994-1990 From 10/89 Exc. Aerostar:**
- Seal18159
(Speedi-Sleeve)99181
- Bearing (Front) M86649/M86610
- Bearing (Rear) BR90
(Set Components) HM88648/HM88610
- 1989-1983 Thru 10/89:**
- Seal15502
(Speedi-Sleeve)99155
- Bearing (Front) BR52
(Set Components) M88048/M88010
- Bearing (Rear) M86649/M86610

REAR AXLE

- 2005-1983 7.50" & 8.80" Ring Gears Exc. Aerostar w/Spicer 30 Axle:**
- Seal18136
(Speedi-Sleeve)99181
- Bearing (Front) BR52
(Set Components) M88048/M88010
- Bearing (Rear) M802048/M802011
- 2004-1999 9.75" Ring Gear:**
- Seal18024
- Bearing (Front) HM89443/HM89411
- Bearing (Rear) NP576375/NP434567
- 2002-2000 10.50" Ring Gear:**
- Seal18024
- Bearing (Front) HM89443/HM89411
- Bearing (Rear) NP504493/NP949481
- 1998-1997 9.75" Ring Gear:**
- Seal18136
(Speedi-Sleeve)99181
- Bearing (Front) BR52
(Set Components) M88048/M88010
- Bearing (Rear) NP576375/NP434567
- 1990-1989 Aerostar w/Spicer 30 E99RA & RB Axles:**
- Seal15791
(Speedi-Sleeve)99155
- Bearing (Front) M86647/M86610
- Bearing (Rear) HM88649/HM88610
(Continued)

• See page 256.

For all other in-text symbols, see page 6.

**(Cont.) -- FORD TRUCK AEROSTAR, BRONCO II, EXCURSION,
EXPEDITION, EXPLORER, EXPLORER SPORT, EXPLORER SPORT
TRAC, RANGER**

MFG./YEAR	MODEL & LOCATION	PART NO.	MFG./YEAR	MODEL & LOCATION	PART NO.
PINION (Cont.) REAR AXLE (Cont.)			PINION (Cont.) REAR AXLE (Cont.)		
1989-1987	Aerostar w/Spicer 30 Axle Exc. E99RA & RB Axles:		1984-1983	6.75" Ring Gear:	
	Seal	15788		Seal	18100
	(Speedi-Sleeve)	99155		(Speedi-Sleeve)	99181
	Bearing (Front)	M86647/M86610		Bearing (Front)	M86649/M86610
	Bearing (Rear)	HM88649/HM88610		Bearing (Rear)	BR90
				(Set Components)	HM88648/HM88610

FORD TRUCK BRONCO

WHEEL FRONT

1996-1995 Auto. Locking Hubs:

Seal23276
 Seal (w/Boot)25009
 Seal Kit25050
 Bearing (Inner)BR37
 (Set Components) LM603049/LM603011
 Bearing (Outer)BR35
 (Set Components) LM501349/LM501310

1996-1995 Man. Locking Hubs From 5/1/95:

Seal23276
 Seal (w/Boot)25009
 Seal Kit25050
 Bearing (Inner)BR37
 (Set Components) LM603049/LM603011
 Bearing (Outer)BR35
 (Set Components) LM501349/LM501310

1995 Man. Locking Hubs Thru 5/1/95:

Seal24917
 Bearing (Inner)BR37
 (Set Components) LM603049/LM603011
 Bearing (Outer)BR35
 (Set Components) LM501349/LM501310

1994-1990 All:

Seal24917
 Bearing (Inner)BR37
 (Set Components) LM603049/LM603011
 Bearing (Outer)BR35
 (Set Components) LM501349/LM501310

1989-1988 Spicer 44 Axle w/Man. Lock Hubs From 5/88 Exc. 3.54 Ratio w/H.D. Frt. End:

Seal24917
 Bearing (Inner)BR37
 (Set Components) LM603049/LM603011
 Bearing (Outer)BR35
 (Set Components) LM501349/LM501310

1989-1988 Spicer 44 Axle w/Man. Lock Hubs, 3.54 Ratio & H.D. Frt. End From 5/88:

Seal26747
 Bearing (Inner)BR38
 (Set Components) LM104949/LM104911
 Bearing (Outer)BR35
 (Set Components) LM501349/LM501310

1989-1987 Spicer 44 w/Auto. Lock Hubs:

Seal24917
 Bearing (Inner)BR37
 (Set Components) LM603049/LM603011
 Bearing (Outer)BR35
 (Set Components) LM501349/LM501310

WHEEL FRONT (Cont.)

1988-1987 Thru 5/88 w/Man. Locking Hubs:

Seal26747
 Bearing[2] BR38
 (Set Components) LM104949/LM104911

1986-1969 From Ser. F30001:

Seal24917
 Bearing (Inner)BR37
 (Set Components) LM603049/LM603011
 Bearing (Outer)BR35
 (Set Components) LM501349/LM501310

1969-1966 Thru Ser. F30000:

Seal24904
 Bearing (Inner)BR37
 (Set Components) LM603049/LM603011
 Bearing (Outer)BR35
 (Set Components) LM501349/LM501310

AXLE SHAFT

1996-1983 All:

Seal (L.H.)12925
 Seal (R.H.)14247
 BearingR1563-TAV

1982-1980 All:

Seal (L.H.)12925
 Seal (R.H.)16735

1979-1978 All:

Seal13246

1977-1971 From Ser. K20001:

Seal13165

1971-1966 Thru Ser. K20000:

Seal (Inner)12456
 Seal (Outer)13568

SPINDLE HUB

1996-1995 Auto. Locking Hubs:

Seal (Inner)22311
 Seal (Outer)711818
 BearingB2110
 Seal & Bearing KitBK1

1995 Man. Locking Hubs:

Seal (Inner)18844
 Seal (Outer)13144
 BearingB2110

1994-1993 All:

Seal (Inner)18844
 Seal (Outer)13144
 BearingB2110

(Continued)

APPLICATIONS

TRAILER, TAG & PUSH AXLES

FRONT AXLES

DRIVE AXLES

PINION SEALS

CONMET®

LIGHT TRUCK

APPLICATIONS
 TRAILER, TAG & PUSHER AXLES
 FRONT AXLES
 DRIVE AXLES
 PINION SEALS
 CONMET®
 LIGHT TRUCK

FORD TRUCK BRONCO -- (Cont.)

MFG./YEAR MODEL & LOCATION PART NO.

WHEEL FRONT (Cont.)

SPINDLE HUB (Cont.)

1992-1973 All:
 Seal (Inner)22311
 Seal (Outer)711818
 Bearing B2110
 Seal & Bearing Kit BK1
 1972-1966 All:
 Seal19360
 Bearing B2110

STEERING KNUCKLE

1971-1966 Thru Ser. K20000:
 Bearing BR11590/BR11520

WHEEL REAR

1996-1987 All:
 Seal16044
 Bearing R1559-TV
 (Axle Repair Brg. Assy.) • R1559
 1986-1980 8.80" Ring Gear:
 Seal16044
 Bearing R1559-TV
 (Axle Repair Brg. Assy.) • R1559
 1986-1978 9.00" Ring Gear:
 Seal18881
 Bearing BR20
 1977-1973 2,780 & 2,900 lb. Axles:
 Seal13738
 Sealed Bearing w/Lock Ring RW207-CCRA
 1977-1973 3,300 lb. Axle:
 Seal15142
 Bearing w/Lock Ring 88128-RB
 1972-1966 2,780 lb. Axle:
 Seal13738
 Sealed Bearing w/Lock Ring RW207-CCRA
 1972-1966 3,300 lb. Axle:
 Seal15142
 Sealed Bearing w/Lock Ring 88128-R

PINION

FRONT AXLE

1996-1995 Auto. Locking Hubs:
 Seal15788
 (Speedi-Sleeve)99155
 Bearing (Front) BR31594/BR31520
 Bearing (Rear) BR02872/BR02820
 1995 Man. Locking Hubs:
 Seal15788
 (Speedi-Sleeve)99155
 Bearing (Front) HM88649/HM88610
 Bearing (Rear) BR02872/BR02820

PINION (Cont.)

FRONT AXLE (Cont.)

1994-1971 From Ser. K20001:
 Seal15788
 (Speedi-Sleeve)99155
 Bearing (Front) BR31594/BR31520
 Bearing (Rear) BR02872/BR02820
 1971-1966 From Ser. 816001 Thru Ser. K20000:
 Seal15788
 (Speedi-Sleeve)99155
 Bearing (Front) HM88649/HM88610
 Bearing (Rear) BR02872/BR02820
 1966 Thru Ser. 816000:
 Seal15788
 (Speedi-Sleeve)99155
 Bearing (Front) HM88649/HM88610
 Bearing (Rear) M86647/M86610

REAR AXLE

1996-1983 8.80" Ring Gear:
 Seal18136
 (Speedi-Sleeve)99181
 Bearing (Front) BR52
 (Set Components) M88048/M88010
 Bearing (Rear) M802048/M802011
 1986-1984 9.00" Ring Gear:
 Seal18136
 (Speedi-Sleeve)99181
 Bearing [2] BR52
 (Set Components) M88048/M88010
 Bearing (Pilot) R1535-TAV
 1983-1980 Exc. 8.80" Ring Gear:
 Seal18833
 (Speedi-Sleeve)99181
 Bearing [2] BR52
 (Set Components) M88048/M88010
 Bearing (Pilot) R1535-TAV
 1979-1966 All:
 Seal18833
 (Speedi-Sleeve)99181
 Bearing [2] BR52
 (Set Components) M88048/M88010
 Bearing (Pilot) R1535-TAV

FORD TRUCK COURIER

WHEEL FRONT

1982-1972 All:
 Seal17757
 Bearing (Inner) BR30206
 Bearing (Outer) BR30204

WHEEL REAR

1982-1972 All:
 Seal (Inner)13954
 Seal (Outer)18873
 Bearing BR30208
 (Continued)

(Cont.) -- FORD TRUCK COURIER

MFG./YEAR	MODEL & LOCATION	PART NO.	MFG./YEAR	MODEL & LOCATION	PART NO.
PINION					
1982-1972 All:					
	Bearing (Front)	BR30306			
	Bearing (Rear)	BR30307			

FORD TRUCK FULL SIZE VANS, ECONOLINE, 1/2 TON VAN, E100, E150, 3/4 TON VAN, E200, E250, 1 TON VAN, E300, E350, E450, E550, E(SUPER DUTY)

WHEEL FRONT	
2007 E150:	
Seal	24000
Bearing (Inner)	BR13
(Set Components)	L68149/L68110
Bearing (Outer)	BR12
(Set Components)	LM12749/LM12710
2007-2002 E250, E350 & E450:	
Seal	24000
Bearing (Inner)	BR50
(Set Components)	LM102949/LM102910
Bearing (Outer)	BR15101/BR15245
2006-1975 E100 & E150:	
Seal	19743
Bearing (Inner)	BR13
(Set Components)	L68149/L68110
Bearing (Outer)	BR12
(Set Components)	LM12749/LM12710
2004-2002 E550:	
Seal	20016
2001-1980 E250, E350, E(Super Duty) & E450 From 11/80:	
Seal	24017
Bearing (Inner)	BR50
(Set Components)	LM102949/LM102910
Bearing (Outer)	BR15101/BR15245
1980-1975 E250 & E350 Thru 10/80:	
Seal	23300
Bearing (Inner)	BR50
(Set Components)	LM102949/LM102910
Bearing (Outer)	BR15101/BR15245
1974-1969 E100 & E200:	
Seal	19763
Bearing (Inner)	BR5
(Set Components)	LM48548/LM48510
Bearing (Outer)	BR3
(Set Components)	M12649/M12610
1974-1969 E300:	
Seal	20608
Bearing (Inner)	BR35
(Set Components)	LM501349/LM501310
Bearing (Outer)	BR15101/BR15245
1968-1967 E100:	
Seal	17386
Bearing (Inner)	BR6
(Set Components)	LM67048/LM67010
Bearing (Outer)	BR2
(Set Components)	LM11949/LM11910
1966-1961 E100:	
Seal	17392
Bearing (Inner)	BR6
(Set Components)	LM67048/LM67010
Bearing (Outer)	BR2
(Set Components)	LM11949/LM11910

WHEEL REAR	
2007-2006 E350 w/Dual Rr. Whls.:	
Seal	28705
2007-2006 E250 & E350 w/Single Rr. Whls.:	
Bearing (Inner)	BR50
(Set Components)	LM102949/LM102910
2007-2002 E450:	
Seal	28754
Bearing (Inner)	387-AS/382-A
Bearing (Outer)	BR38
(Set Components)	LM104949/LM104911
2007-1983 E100 & E150 w/8.80" Ring Gear:	
Seal	16044
Bearing	R1559-TV
(Axle Repair Brg. Assy.)	• R1559
2006-2002 E550:	
Seal	34928
Bearing	BR39250/BR39412
2005-1980 E250 w/Spicer Semi-Floating Axle:	
Seal	17100
Bearing	R1561-TV
(Axle Repair Brg. Assy.)	• R1561-F
2004-1992 E350 w/9.75" & 10.50" Ring Gears:	
Seal	28754
Bearing (Inner)	387-AS/382-A
Bearing (Outer)	BR38
(Set Components)	LM104949/LM104911
2002-1996 E(Super Duty) w/11.25" Ring Gear:	
Seal	28754
Bearing (Inner)	387-AS/382-A
Bearing (Outer)	BR38
(Set Components)	LM104949/LM104911
2002-1992 E250 w/9.75" Ring Gear:	
Seal	28754
Bearing	R1561-TV
(Axle Repair Brg. Assy.)	• R1561-F
1991-1983 E250 w/Ford Axle Exc. 10.25" Ring Gear:	
Seal	16044
Bearing	R1559-TV
(Axle Repair Brg. Assy.)	• R1559
1991-1981 E250 & E350 w/Spicer Full-Floating Axle:	
Seal	28720
Bearing (Inner)	387-AS/382-A
Bearing (Outer)	BR38
(Set Components)	LM104949/LM104911

(Continued)

APPLICATIONS
TRAILER, TAG & PUSH AXLES
FRONT AXLES
DRIVE AXLES
PINION SEALS
CONMET®
LIGHT TRUCK

FORD TRUCK FULL SIZE VANS, ECONOLINE, 1/2 TON VAN, E100, E150, 3/4 TON VAN, E200, E250, 1 TON VAN, E300, E350, E450, E550, E(SUPER DUTY) -- (Cont.)

MFG./YEAR	MODEL & LOCATION	PART NO.
WHEEL REAR (Cont.)		
1991-1980	E350 w/Ford Axle From 4/80 Exc. 10.25" Ring Gear:	
	Seal	28720
	Bearing (Inner)	387-AS/382-A
	Bearing (Outer)	BR38
	(Set Components)	LM104949/LM104911
1986-1980	E100 & E150 w/3,750 lb. Axle & 9.00" Ring Gear:	
	Seal	18881
	Bearing	BR20
1980	E350 w/Ford Axle Thru 3/80 Exc. 10.25" Ring Gear:	
	Seal	28746
	Bearing (Inner)	387-AS/382-A
	Bearing (Outer)	BR38
	(Set Components)	LM104949/LM104911
1980-1976	E350 From Ser. A75000 w/7,400 lb. Axle & Dual Rr. Whls.:	
	Seal	31753
	Bearing (Inner)	JLM710949/JLM710910
	Bearing (Outer)	BR38
	(Set Components)	LM104949/LM104911
1980-1975	E250 w/Spicer Full-Floating Axle:	
	Seal	24917
	Bearing	[2] BR38
	(Set Components)	LM104949/LM104911
1979-1975	E100 & E150 w/2,750 lb. Axle:	
	Seal	18881
	Bearing	BR20
1979-1975	E100 & E150 w/3,300 lb. Axle:	
	Seal	15142
	Sealed Bearing w/Lock Ring	88128-R
1979-1975	E100 & E150 w/3,600 & 3,750 lb. Axles:	
	Seal	15142
	Bearing	R1580-TV
1979-1975	E350 Exc. Dual Rr. Whls.:	
	Seal	28720
	Bearing (Inner)	387-AS/382-A
	Bearing (Outer)	BR38
	(Set Components)	LM104949/LM104911
1976-1973	E300 & E350 w/Dual Rr. Whls. Thru Ser. A74999:	
	Seal	28720
	Bearing (Inner)	387-AS/382-A
	Bearing (Outer)	BR38
	(Set Components)	LM104949/LM104911
1974	E100:	
	Seal	15142
	Sealed Bearing w/Lock Ring	RW207-CCRA
1974	E200 w/Roller Brg.:	
	Seal	18881
	Bearing	BR20
1974-1969	E200 w/3,300 lb. Axle & Ball Brg.:	
	Seal	15142
	Sealed Bearing w/Lock Ring	88128-R
1974-1969	E300 From Ser. F30001:	
	Seal	24917
	Bearing	[2] BR38
	(Set Components)	LM104949/LM104911

MFG./YEAR	MODEL & LOCATION	PART NO.
WHEEL REAR (Cont.)		
1973-1969	E100:	
	Seal	13738
	Sealed Bearing w/Lock Ring	RW207-CCRA
1969	E300 Thru Ser. F30000:	
	Seal	23702
	Bearing (Inner)	BR18790/BR18720
	Bearing (Outer)	BR25592/BR25520
1967-1964	E100 w/2,700 & 3,050 lb. Axles:	
	Seal	13738
	Sealed Bearing w/Lock Ring	RW207-CCRA
1967-1961	E100 w/2,300 lb. Axle:	
	Seal	13598
	Sealed Bearing w/Lock Ring	RW207-CCRA
1963-1961	E100 w/2,700 & 3,050 lb. Axles:	
	Seal	13598
	Sealed Bearing w/Lock Ring	RW207-CCRA
PINION		
2005-2002	E450 w/10.50" Ring Gear:	
	Seal	18741
	Bearing (Front)	HM88542/HM88510
	Bearing (Rear)	HM807040/HM807010
2005-1999	E150 Axles 710D, PM710D & 710E w/9.75" Ring Gear & Semi-Floating Axle.:	
	Seal	18024
	Bearing (Front)	HM89443/HM89411
	Bearing (Rear)	NP576375/NP434567
2005-1998	E350 w/10.50" Ring Gear & Spicer Axle:	
	Seal	18896
	(Speedi-Sleeve)	99187
	Bearing (Front)	HM88542/HM89410
	Bearing (Rear)	HM803149/HM803110
2005-1983	E150 & E250 w/8.80" Ring Gear:	
	Seal	18136
	(Speedi-Sleeve)	99181
	Bearing (Front)	BR52
	(Set Components)	M88048/M88010
	Bearing (Rear)	M802048/M802011
2004-2002	E450 w/11.25" Ring Gear:	
	Seal	25140
	(Use)	+25026
	(Speedi-Sleeve)	99250
	Bearing (Front)	M802048/M802011
2004-2002	E550:	
	Seal	18871
	Bearing (Front)	55175-C/BR55437
	Bearing (Rear)	72225-C/BR72487
2001-1999	E(Super Duty) w/11.75" Ring Gear & Full-Floating Axle Exc. 5.38 Ratio:	
	Seal	25140
	(Use)	+29528
	Bearing (Front)	HM807046/HM807010
	Bearing (Rear)	M802048/M802011

(Continued)

• See page 256.

For all other in-text symbols, see page 6.

(Cont.) -- FORD TRUCK FULL SIZE VANS, ECONOLINE, 1/2 TON VAN, E100, E150, 3/4 TON VAN, E200, E250, 1 TON VAN, E300, E350, E450, E550, E(SUPER DUTY)

MFG./YEAR	MODEL & LOCATION	PART NO.	MFG./YEAR	MODEL & LOCATION	PART NO.
PINION (Cont.)			PINION (Cont.)		
2001-1999	E(Super Duty) w/11.75" Ring Gear, Full-Floating Axle & 5.38 Ratio:		1986-1980	E350 w/Spicer 70 Axle & 4.125" O.D. Rr. Brg.:	
	Seal	25140		Seal	18891
	(Use)	+29528		(Speedi-Sleeve)	99187
	(Speedi-Sleeve)	99250		Bearing (Front)	HM88542/HM88510
	Bearing (Rear)	M802048/M802011		Bearing (Rear)	HM807040/HM807010
2001-1998	E250 & E350 w/9.75" Ring Gear:		1986-1975	E250 & E350 w/Spicer 60 & 61 Axles:	
	Seal	18896		Seal	18891
	(Speedi-Sleeve)	99187		(Speedi-Sleeve)	99187
	Bearing (Front)	HM88542/HM88510		Bearing (Front)	HM88542/HM88510
	Bearing (Rear)	HM803146/HM803110		Bearing (Rear)	HM803146/HM803110
1999-1997	E150 Axles 710A, 710A1 & PM710C w/9.75" Ring Gear & Semi-Floating Axle :		1982-1980	E100 & E150:	
	Seal	18136		Seal	18833
	(Speedi-Sleeve)	99181		(Speedi-Sleeve)	99181
	Bearing (Front)	BR52		Bearing	[2] BR52
	(Set Components)	M88048/M88010		(Set Components)	M88048/M88010
	Bearing (Rear)	NP576375/NP434567		Bearing (Pilot)	R1535-TAV
1997-1987	E250 & E350 w/Spicer 60 & 61 Axles:		1979-1975	E350 w/Spicer 70 Axle:	
	Seal	18896		Seal	18891
	(Speedi-Sleeve)	99187		(Speedi-Sleeve)	99187
	Bearing (Front)	HM88542/HM88510		Bearing (Front)	HM88542/HM88510
	Bearing (Rear)	HM803146/HM803110		Bearing (Rear)	HM807040/HM807010
1997-1987	E350 w/Spicer 70 Axle & 3.50" O.D. Rr. Brg.:		1979-1963	E100 & E150 w/Ford Axle Exc. 2,300 lb. WCC Axle:	
	Seal	18896		Seal	18833
	(Speedi-Sleeve)	99187		(Speedi-Sleeve)	99181
	Bearing (Front)	HM88542/HM88510		Bearing	[2] BR52
	Bearing (Rear)	HM803149/HM803110		(Set Components)	M88048/M88010
1997-1987	E350 w/Spicer 70 Axle & 4.125" O.D. Rr. Brg.:			Bearing (Pilot)	R1535-TAV
	Seal	18896	1974-1970	E300 From Ser. G90001:	
	(Speedi-Sleeve)	99187		Seal	18891
	Bearing (Front)	HM88542/HM88510		(Speedi-Sleeve)	99187
	Bearing (Rear)	HM807040/HM807010		Bearing (Front)	HM88542/HM88510
1996-1990	E (Super Duty) w/11.75" Ring Gear & Full-Floating Axle:			Bearing (Rear)	HM803146/HM803110
	Seal	25140	1974-1969	E200 w/Ford Axle:	
	(Use)	+29528		Seal	18833
	Bearing (Front)	HM807046/HM807010		(Speedi-Sleeve)	99181
	Bearing (Rear)	M802048/M802011		Bearing	[2] BR52
1987-1984	E100 & E150 w/9.00" Ring Gear:			(Set Components)	M88048/M88010
	Seal	18136		Bearing (Pilot)	R1535-TAV
	(Speedi-Sleeve)	99181	1970-1969	E300 Thru Ser. G90000:	
	Bearing	[2] BR52		Seal	18888
	(Set Components)	M88048/M88010		(Speedi-Sleeve)	99187
	Bearing (Pilot)	R1535-TAV		Bearing (Front)	HM88542/HM88510
1986-1980	E350 w/Spicer 70 Axle & 3.50" O.D. Rr. Brg.:			Bearing (Rear)	HM803146/HM803110
	Seal	18891	1969-1961	E100 w/Ford WCC Axle & 7.00" Ring Gear:	
	(Speedi-Sleeve)	99187		Seal	16545
	Bearing (Front)	HM88542/HM88510		(Speedi-Sleeve)	99165
	Bearing (Rear)	HM803149/HM803110		Bearing (Front)	M86649/M86610
				Bearing (Rear)	HM88649/HM88610
			1969-1961	E100 w/Ford WCC Axle & 7.25" Ring Gear:	
				Seal	16545
				(Speedi-Sleeve)	99165
				Bearing (Front)	M86649/M86610
				Bearing (Rear)	HM89446/HM89410

A P P L I C A T I O N S
T R A I L E R , T A G & P U S H E R A X L E S
F R O N T A X L E S
D R I V E A X L E S
P I N I O N S E A L S
C O N M E T®
L I G H T T R U C K

FORD TRUCK ESCAPE

MFG./YEAR	MODEL & LOCATION	PART NO.	MFG./YEAR	MODEL & LOCATION	PART NO.
WHEEL FRONT			WHEEL REAR (Cont.)		
2007-2001 All:			AXLE SHAFT		
	Sealed Bearing	FW186	2004-2001 All:		
	Hub Assembly (Kit)	BR930286	Seal		
AXLE SHAFT			13757		
2004-2003 All:			PINION		
	Seal	16901	2005-2001 All:		
2002-2001 All:			Bearing (Front)		
	Seal	16626	(Set Components)		
WHEEL REAR			Bearing (Center)		
2007-2001 All:			Bearing (Rear)		
	Sealed Bearing	GRW266	BR52		
			(Set Components)		
			M88048/M88010		
			M86649/M86610		
			6207-J		

FORD TRUCK 1/2 TON, F100, F150, P100, F1 SERIES

<p>WHEEL FRONT (2 W/D)</p> <p>2006-2000 8 Mounting Holes:</p> <p>Seal24017</p> <p>Bearing (Inner) BR50</p> <p>(Set Components) LM102949/LM102910</p> <p>Bearing (Outer) BR15101/BR15245</p> <p>2006-1997 5 or 7 Mounting Holes:</p> <p>Seal19743</p> <p>Bearing (Inner) BR11</p> <p>(Set Components) JL69349/JL69310</p> <p>Bearing (Outer) BR12</p> <p>(Set Components) LM12749/LM12710</p> <p>1996-1973 All:</p> <p>Seal19743</p> <p>Bearing (Inner) BR13</p> <p>(Set Components) L68149/L68110</p> <p>Bearing (Outer) BR12</p> <p>(Set Components) LM12749/LM12710</p> <p>1972-1968 F100:</p> <p>Seal19763</p> <p>Bearing (Inner) BR5</p> <p>(Set Components) LM48548/LM48510</p> <p>Bearing (Outer) BR3</p> <p>(Set Components) M12649/M12610</p> <p>1967-1965 F100:</p> <p>Seal19763</p> <p>Bearing (Inner) BR5</p> <p>(Set Components) LM48548/LM48510</p> <p>Bearing (Outer) BR2</p> <p>(Set Components) LM11949/LM11910</p> <p>1967-1964 P100:</p> <p>Seal18055</p> <p>Bearing (Inner) BR5</p> <p>(Set Components) LM48548/LM48510</p> <p>Bearing (Outer) BR3</p> <p>(Set Components) M12649/M12610</p> <p>1964-1957 F100:</p> <p>Seal18055</p> <p>Bearing (Inner) BR5</p> <p>(Set Components) LM48548/LM48510</p> <p>Bearing (Outer) BR2</p> <p>(Set Components) LM11949/LM11910</p> <p>1963-1957 P100:</p> <p>Seal18055</p> <p>Bearing (Inner) BR5</p> <p>(Set Components) LM48548/LM48510</p> <p>Bearing (Outer) BR2</p> <p>(Set Components) LM11949/LM11910</p>	<p>WHEEL FRONT (2 W/D) (Cont.)</p> <p>1956-1948 F100:</p> <p>Seal17599</p> <p>Bearing (Inner) BR14130/BR14276</p> <p>Bearing (Outer) BR09067/BR09195</p> <p>WHEEL FRONT (4 W/D)</p> <p>2007-2005 w/7 Studs From 11/29/04:</p> <p>Hub Assembly BR930459</p> <p>2006 w/6 Studs From 12/5/05:</p> <p>Hub Assembly BR930455</p> <p>2006-2004 w/6 Studs Thru 12/5/05:</p> <p>Hub Assembly BR930460</p> <p>2005-2004 w/7 Studs Thru 11/29/04:</p> <p>Hub Assembly BR930454</p> <p>2004 Heritage & SVT:</p> <p>Hub Assembly BR930419</p> <p>2003-2000 Rr. Whl. ABS w/5 Studs From 11/29/99:</p> <p>Hub Assembly BR930422</p> <p>2003-2000 4 Whl. ABS w/5 Studs From 11/29/99:</p> <p>Hub Assembly BR930423</p> <p>2003-1997 Rr. Whl. ABS w/7 Studs:</p> <p>Hub Assembly BR930418</p> <p>2003-1997 4 Whl. ABS w/7 Studs:</p> <p>Hub Assembly BR930419</p> <p>2002-1999 Rr. Whl. ABS:</p> <p>Hub Assembly BR930422</p> <p>2000-1997 4 Whl. ABS w/5 Studs Thru 11/29/99:</p> <p>Hub Assembly BR930318</p> <p>1999-1997 Rr. Whl. ABS:</p> <p>Hub Assembly BR930218</p> <p>1996-1995 From 5/1/95:</p> <p>Seal23276</p> <p>Seal (w/Boot)25009</p> <p>Seal Kit25050</p> <p>Bearing (Inner) BR37</p> <p>(Set Components) LM603049/LM603011</p> <p>Bearing (Outer) BR35</p> <p>(Set Components) LM501349/LM501310</p> <p>1995-1990 Thru 5/1/95:</p> <p>Seal24917</p> <p>Bearing (Inner) BR37</p> <p>(Set Components) LM603049/LM603011</p> <p>Bearing (Outer) BR35</p> <p>(Set Components) LM501349/LM501310</p> <p style="text-align: right;">(Continued)</p>
--	--

• See page 256.

For all other in-text symbols, see page 6.

(Cont.) -- FORD TRUCK 1/2 TON, F100, F150, P100, F1 SERIES

MFG./YEAR	MODEL & LOCATION	PART NO.	MFG./YEAR	MODEL & LOCATION	PART NO.
WHEEL FRONT (4 W/D) (Cont.)			WHEEL FRONT (4 W/D) (Cont.)		
1989-1988	Spicer 44 Axle w/Man. Locking Hubs Exc. 3.54 Ratio w/H.D. Frt. End From 5/88:		AXLE SHAFT (Cont.)		
	Seal	24917	1965-1959	All:	
	Bearing (Inner)	BR37		Seal	13165
	(Set Components)	LM603049/LM603011	SPINDLE HUB		
	Bearing (Outer)	BR35	1996-1993	All:	
	(Set Components)	LM501349/LM501310		Seal (Inner)	18844
1989-1988	Spicer 44 Axle w/Man. Locking Hubs, 3.54 Ratio & H.D. Frt. End From 5/88:			Seal (Outer)	13144
	Seal	26747		Bearing	B2110
	Bearing (Inner)	BR38	1992-1977	All:	
	(Set Components)	LM104949/LM104911		Seal (Inner)	22311
	Bearing (Outer)	BR35		Seal (Outer)	711818
	(Set Components)	LM501349/LM501310		Bearing	B2110
1989-1987	Auto. Locking Hubs:			Seal & Bearing Kit	BK1
	Seal	24917	1976-1968	All:	
	Bearing (Inner)	BR37		Seal (Inner)	22311
	(Set Components)	LM603049/LM603011		Seal (Outer)	19992
	Bearing (Outer)	BR35		Bearing	B2110
	(Set Components)	LM501349/LM501310	STEERING KNUCKLE		
1988-1987	Spicer 44 Axle w/Man. Locking Hubs Thru 5/88:		1972-1966	All:	
	Seal	26747		Seal	10035
	Bearing	BR38		Bearing	[4] BR11590/BR11520
	(Set Components)	LM104949/LM104911	1965-1959	All:	
1986-1969	F100 & F150 From Ser. F70001:			Bearing	[4] BR11590/BR11520
	Seal	24917	WHEEL REAR		
	Bearing (Inner)	BR37	2007-2005	All:	
	(Set Components)	LM603049/LM603011		Seal	17327
	Bearing (Outer)	BR35		Bearing	R1561-TV
	(Set Components)	LM501349/LM501310		(Axle Repair Brg. Assy.)	• R1561-F
1969-1966	F100 Thru Ser. F70000:		2004-1992	9.75" Ring Gear:	
	Seal	19360		Seal	17327
	Bearing (Inner)	BR37		Bearing	R1561-TV
	(Set Components)	LM603049/LM603011		(Axle Repair Brg. Assy.)	• R1561-F
	Bearing (Outer)	BR35	2004-1992	8.80" Ring Gear:	
	(Set Components)	LM501349/LM501310		Seal	16044
1965-1959	F100:			Bearing	R1559-TV
	Seal	24904		(Axle Repair Brg. Assy.)	• R1559
	Bearing (Inner)	BR37	2000-1997	Ext. Cab:	
	(Set Components)	LM603049/LM603011		Seal	17327
	Bearing (Outer)	BR35		Bearing	R1561-TV
	(Set Components)	LM501349/LM501310		(Axle Repair Brg. Assy.)	• R1561-F
AXLE SHAFT			1996-1980	F100 & F150 w/3,750 lb. Axle & 9.00" Ring Gear:	
2004-1997	All:			Seal	18881
	Bearing (Inner)	HK4012		Bearing	BR20
	Bearing (Outer)	FC66998	1991-1980	F100 & F150 w/3,750 lb. Axle w/o 9.00" Ring Gear:	
1996-1983	All:			Seal	18881
	Seal (L.H.)	12925		Bearing w/lock ring	88128-RA
	Seal (R.H.)	14247	1982-1980	F100 w/2,800 lb. Axle:	
	Bearing	R1563-TAV		Seal	15142
	(Axle Repair Brg. Assy.)	• R1563		Bearing w/lock ring	88128-RA
1982-1980	All:		1979-1975	Spicer 44 & 60 Axles From Ser. A25000:	
	Seal (L.H.)	12925		Seal (Inner)	15142
	Seal (R.H.)	16735		Seal (Outer 2.475" O.D.)	18545
1979	Regular Cab:			Seal (Outer 2.893" O.D.)	18731
	Seal	13246		Bearing	BR10
1978	All:		1979-1974	3,300 lb. Ford Axle w/Roller Brg.:	
	Seal	13246		Seal	18881
1977-1972	From Ser. M30001:			Bearing	BR20
	Seal	13165			(Continued)
1972-1966	Thru Ser. M30000:				
	Seal	13568			

APPLICATIONS
 TRAILER, TAG & PUSHER AXLES
 FRONT AXLES
 DRIVE AXLES
 PINION SEALS
 CONMET®
 LIGHT TRUCK

• See page 256.

For all other in-text symbols, see page 6.

FORD TRUCK 1/2 TON, F100, F150, P100, F1 SERIES -- (Cont.)

MFG./YEAR	MODEL & LOCATION	PART NO.	MFG./YEAR	MODEL & LOCATION	PART NO.
WHEEL REAR (Cont.)			PINION (Cont.)		
1979-1968	3,600 & 3,750 lb. Ford Axles:		REAR AXLE (Cont.)		
	Seal	15960	1999-1997	9.75" Ring Gear:	
	Bearing	R1580-TV		Seal	18136
1979-1957	3,300 lb. Ford Axle Exc. Roller Brg.:			(Speedi-Sleeve)	99181
	Seal	15142		Bearing (Front)	NP576375/NP434567
	Sealed Bearing w/Lock Ring	88128-R		Bearing (Rear)	BR52
1975-1964	Spicer 44 & 60 Axles Thru Ser. A24999:			(Set Components)	M88048/M88010
	Seal (Inner)	15142	1999-1983	8.80" Ring Gear:	
	Seal (Outer 2.475" O.D.)	18545		Seal	18136
	Seal (Outer 2.893" O.D.)	18731		(Speedi-Sleeve)	99181
	Bearing	BR7		Bearing (Front)	M802048/M802011
	(Set Components)	M201047-S/M201011		Bearing (Rear)	BR52
1967-1948	Exc. Spicer Axle:			(Set Components)	M88048/M88010
	Seal	15142	1986-1984	2,800 & 3,750 lb. Axles w/9.00" Ring Gear:	
	Sealed Bearing w/Lock Ring	88128-R		Seal	18136
1963-1948	Spicer 44 & 60 Axles:			(Speedi-Sleeve)	99181
	Seal (Inner)	15142		Bearing	[2] BR52
	Seal (Outer)	18545		(Set Components)	M88048/M88010
	Sealed Bearing w/Lock Ring	88128-R		Bearing (Pilot)	R1535-TAV
PINION			1983-1980	2,800 & 3,750 lb. Axles w/9.00" Ring Gear:	
FRONT AXLE				Seal	18833
2005-2004	All:			(Speedi-Sleeve)	99181
	Seal	18190		Bearing	[2] BR52
	Bearing (Front)	BR52		(Set Components)	M88048/M88010
	(Set Components)	M88048/M88010		Bearing (Pilot)	R1535-TAV
	Bearing (Rear)	M802048/M802011	1979-1973	WDM & WFE 3,300 & 3,750 lb. Axles Exc. WFE-F, G, H, J, K, L & S; WDM-AM & AN:	
2003-1997	All:			Seal	18833
	Seal	18136		(Speedi-Sleeve)	99181
	(Speedi-Sleeve)	99181		Bearing	[2] BR52
	Bearing (Front)	M802048/M802011		(Set Components)	M88048/M88010
	Bearing (Rear)	BR52		Bearing (Pilot)	R1535-TAV
	(Set Components)	M88048/M88010	1979-1959	2,900, 3,300 & 3,750 lb. Spicer 44 Axles:	
1996-1993	All:			Seal	15788
	Seal	15788		(Speedi-Sleeve)	99155
	(Speedi-Sleeve)	99155		Bearing (Front)	BR02872/BR02820
	Bearing (Front)	HM88649/HM88610		Bearing (Rear)	BR31594/BR31520
	Bearing (Rear)	BR02872/BR02820	1976-1973	3,300 & 3,750 lb. WDM-AM & AN Axles; WFE-F, G, H, J, K, L & S Axles:	
1992-1959	All:			Seal	18833
	Seal	15788		(Speedi-Sleeve)	99181
	(Speedi-Sleeve)	99155		Bearing (Front)	BR52
	Bearing (Front)	BR31594/BR31520		(Set Components)	M88048/M88010
	Bearing (Rear)	BR02872/BR02820		Bearing (Pilot)	R1535-TAV
REAR AXLE				Bearing (Rear)	HM89443/HM89410
2006-2000	8.80" Ring Gear:		1972-1968	3,300 & 3,600 lb. WEY Axles:	
	Seal	18136		Seal	18833
	(Speedi-Sleeve)	99181		(Speedi-Sleeve)	99181
	Bearing (Front)	M802048/M802011		Bearing (Front)	BR52
	Bearing (Rear)	BR52		(Set Components)	M88048/M88010
	(Set Components)	M88048/M88010		Bearing (Rear)	HM89444/HM89410
2006-1997	9.75" Ring Gear:		1972-1964	3,300 & 3,600 lb. WFF Axles:	
	Seal	18024		Seal	18833
	Bearing (Front)	NP576375/NP434567		(Speedi-Sleeve)	99181
	Bearing (Rear)	HM89443/HM89411		Bearing (Front)	BR52
2004	10.25" Ring Gear:			(Set Components)	M88048/M88010
	Seal	18024		Bearing (Rear)	HM89444/HM89410
	Bearing (Front)	NP504493/NP949481		1972-1964	3,300 & 3,600 lb. WFF Axles:
	Bearing (Rear)	HM89443/HM89411		Seal	18833
2000	10.75" Ring Gear:			(Speedi-Sleeve)	99181
	Seal	18024		Bearing (Front)	BR52
	Bearing (Front)	HM807044/HM807010		(Set Components)	M88048/M88010
	Bearing (Rear)	HM89443/HM89411		Bearing (Rear)	HM89443/HM89410

(Continued)

(Cont.) -- FORD TRUCK 1/2 TON, F100, F150, P100, F1 SERIES

Table with 2 columns: MFG./YEAR, MODEL & LOCATION, PART NO. Left side: PINION (Cont.) REAR AXLE (Cont.) 1972-1957 3,300 & 3,600 lb. Axles Exc. WEY & WFF Axles: Seal 18833, (Speedi-Sleeve) 99181, Bearing [2] BR52, (Set Components) M88048/M88010, Bearing (Pilot) R1535-TAV. 1969-1964 Spicer 60 Series Axles: Seal 18888, (Speedi-Sleeve) 99187, Bearing (Front) HM88542/HM88510, Bearing (Rear) HM803146/HM803110. Right side: PINION (Cont.) REAR AXLE (Cont.) 1967-1961 P100: Seal 18833, (Speedi-Sleeve) 99181, Bearing [2] BR52, (Set Components) M88048/M88010, Bearing (Pilot) R1535-TAV. 1956-1948 All: Seal 15788, (Speedi-Sleeve) 99155, Bearing (Front) BR02872/BR02820, Bearing (Rear) BR31594/BR31520.

FORD TRUCK 3/4 TON, F250, F250(SUPER DUTY), F2 SERIES

Table with 2 columns: MFG./YEAR, MODEL & LOCATION, PART NO. Left side: WHEEL FRONT (2 W/D) 2007-2005 All: Seal 24017. 2004-1999 Super Duty w/Twin I-Beam Axle: Seal 24017, Bearing (Inner) BR50, (Set Components) LM102949/LM102910, Bearing (Outer) BR15101/BR15245. 2002-1997 Under 8,500 G.V.W. w/7 Mtg. Holes: Seal 19743, Bearing (Inner) BR11, (Set Components) JL69349/JL69310, Bearing (Outer) BR12, (Set Components) LM12749/LM12710. 2002-1997 Over 8,500 G.V.W. w/8 Mtg. Holes: Seal 24017, Bearing (Inner) BR50, (Set Components) LM102949/LM102910, Bearing (Outer) BR15101/BR15245. 1996-1986 All: Seal 24017, Bearing (Inner) BR50, (Set Components) LM102949/LM102910, Bearing (Outer) BR15101/BR15245. 1985-1980 Dual Piston Disc Brks.: Seal 24017, Bearing (Inner) BR50, (Set Components) LM102949/LM102910, Bearing (Outer) BR15101/BR15245. 1985-1980 Single Piston Disc Brks.: Seal 19743, Bearing (Inner) BR13, (Set Components) L68149/L68110, Bearing (Outer) BR12, (Set Components) LM12749/LM12710. 1979-1975 Dual Piston Disc Brks. From Ser. V80001: Seal 23300, Bearing (Inner) BR50, (Set Components) LM102949/LM102910, Bearing (Outer) BR15101/BR15245. 1979-1973 Single Piston Disc Brks.: Seal 19743, Bearing (Inner) BR13, (Set Components) L68149/L68110, Bearing (Outer) BR12, (Set Components) LM12749/LM12710. Right side: WHEEL FRONT (2 W/D) (Cont.) 1975-1973 Dual Piston Disc Brks. Thru Ser. V80000: Seal 20608, Bearing (Inner) BR35, (Set Components) LM501349/LM501310, Bearing (Outer) BR15101/BR15245. 1972-1968 Disc Brks.: Seal 20608, Bearing (Inner) BR35, (Set Components) LM501349/LM501310, Bearing (Outer) BR15101/BR15245. 1972-1968 2.5" Drum Brks.: Seal 20608, Bearing (Inner) BR35, (Set Components) LM501349/LM501310, Bearing (Outer) BR15101/BR15245. 1972-1965 2" Drum Brks.: Seal 19763, Bearing (Inner) BR51, (Set Components) LM29748/LM29710, Bearing (Outer) BR3, (Set Components) M12649/M12610. 1967 2.5" Drum Brks.: Seal 20608, Bearing (Inner) BR35, (Set Components) LM501349/LM501310, Bearing (Outer) BR1380/BR1328. 1966 2.5" Drum Brks.: Seal 20608, Bearing (Inner) BR35, (Set Components) LM501349/LM501310, Bearing (Outer) BR3, (Set Components) M12649/M12610. 1964-1957 All: Seal 18055, Bearing (Inner) BR5, (Set Components) LM48548/LM48510, Bearing (Outer) BR2, (Set Components) LM11949/LM11910. 1956-1948 All: Seal 17599, Bearing (Inner) BR14130/BR14276, Bearing (Outer) BR09067/BR09195.

APPLI-CATIONS

TRAILER, TAG & PUSHER AXLES

FRONT AXLES

DRIVE AXLES

PINION SEALS

CONMET®

LIGHT TRUCK

• See page 256.

For all other in-text symbols, see page 6.

FORD TRUCK 3/4 TON, F250, F250(SUPER DUTY), F2 SERIES -- (Cont.)

MFG./YEAR	MODEL & LOCATION	PART NO.	MFG./YEAR	MODEL & LOCATION	PART NO.
WHEEL FRONT (4 W/D)			WHEEL FRONT (4 W/D) (Cont.)		
2005-1999	8 Studs, Single Rr. Whls. & Rr. Whl. ABS From 3/22/99:		1982-1981	Spicer 44 Axle Under 8,500 lb. G.V.W. w/E1TA-MF, ABA:	
	Hub Assembly	BR930424		Seal	24917
2005-1999	8 Studs, Single Rr. Whls., 4 Whl. ABS & Coarse Threaded Studs From 3/22/99:			Bearing (Inner)	LM104949/JLM104910
	Hub Assembly	BR930420		Bearing (Outer)	BR50
2005-1999	Dual Rr. Whls. & 4 Whl. ABS From 3/22/99:			(Set Components)	LM102949/LM102910
	Hub Assembly	BR930421	1980-1976	Spicer 44 Exc. 3,500 lb. Axle:	
2004-1999	Single Rr. Whls., 4 Whl. ABS & Fine Threaded Studs From 3/22/99:			Seal	24917
	Hub Assembly	BR930438		Bearing (Inner)	LM104949/JLM104910
1999	Single Rr. Whls. w/Coarse Threads, 4 Whl. ABS & 8 Studs Thru 3/22/99:			Bearing (Outer)	BR35
	Hub Assembly	BR930426		(Set Components)	LM501349/LM501310
1999	Dual Rr. Whls., 4 Whl. ABS, Coarse Threads & 8 Studs Thru 3/22/99:		1979-1976	Spicer 44 w/3,500 lb. Axle From Ser. B50000:	
	Hub Assembly	BR930425		Seal	25077
1999	Single Rr. Whl. w/Coarse Threads, Rr. Whl. ABS & 8 Studs Thru 3/22/99:			Bearing (Inner)	368-A/362-A
	Hub Assembly	BR930427		Bearing (Outer)	BR35
1999-1997	Rr. Whl. ABS w/7 Studs:			(Set Components)	LM501349/LM501310
	Hub Assembly	BR930418	1977-1976	Spicer 60 Axle From Ser. B50000:	
1999-1997	4 Whl. ABS w/7 Studs:			Seal	25077
	Hub Assembly	BR930419		Bearing (Inner)	BR368/362-A
1999-1978	Spicer 50 & 60 Axles:			Bearing (Outer)	BR35
	Seal	27452		(Set Components)	LM501349/LM501310
	Bearing (Inner)	387-A/382-A	1976-1973	Spicer 60 Axle Thru Ser. B49999:	
	Bearing (Outer)	BR38		Seal	25077
	(Set Components)	LM104949/LM104911		Bearing (Inner)	368-A/362-A
1994-1983	Spicer 44 Axle:			Bearing (Outer)	BR35
	Seal	24917		(Set Components)	LM501349/LM501310
	Bearing (Inner)	LM104949/JLM104910	1976-1961	3,500 lb. Spicer 44-6HD Axle Thru Ser. B49999:	
	Bearing (Outer)	BR35		Seal	25077
	(Set Components)	LM501349/LM501310		Bearing (Inner)	BR368/362-A
1991-1990	Spicer 44 Axle w/Auto. Locking Hubs:			Bearing (Outer)	BR35
	Seal	24917		(Set Components)	LM501349/LM501310
	Bearing (Inner)	BR37	1975-1969	3,300 lb. Spicer 44-6F Axle From Ser. F70001:	
	(Set Components)	LM603049/LM603011		Seal	24917
	Bearing (Outer)	BR35		Bearing (Inner)	BR37
	(Set Components)	LM501349/LM501310		(Set Components)	LM603049/LM603011
1991-1990	Spicer 44 Axle w/Man. Locking Hubs:			Bearing (Outer)	BR35
	Seal	24917		(Set Components)	LM501349/LM501310
	Bearing (Inner)	BR38	1969-1959	3,000 lb. Spicer 44 Axle Thru Ser. F70000:	
	(Set Components)	LM104949/LM104911		Seal	24904
	Bearing (Outer)	BR35		Bearing (Inner)	BR37
	(Set Components)	LM501349/LM501310		(Set Components)	LM603049/LM603011
1982-1981	Spicer 44 Axle Over 8,500 lb. G.V.W.:			Bearing (Outer)	BR35
	Seal	24917		(Set Components)	LM501349/LM501310
	Bearing (Inner)	LM104949/JLM104910	AXLE SHAFT		
	Bearing (Outer)	BR35	2004-1999	Super Duty:	
	(Set Components)	LM501349/LM501310		Seal (L.H.)	28600
1982-1981	Spicer 44 Axle Under 8,500 lb. G.V.W. Exc. E1TA-MF, ABA:			Bearing	B2110
	Seal	24917	1998-1983	Spicer 44 & 50 Axles:	
	Bearing (Inner)	BR37		Seal (L.H.)	12925
	(Set Components)	LM603049/LM603011		Seal (R.H.)	14247
	Bearing (Outer)	BR35		Bearing	R1563-TAV
	(Set Components)	LM501349/LM501310		(Axle Repair Brg. Assy.)	• R1563
			1982-1980	All:	
				Seal (L.H.)	12925
				Seal (R.H.)	16735
			1979-1978	Spicer 44 Axle From Ser. CE0001:	
				Seal	13168
			1979-1978	Spicer 60 Axle:	
				Seal	15692

(Continued)

• See page 256.

For all other in-text symbols, see page 6.

(Cont.) -- FORD TRUCK 3/4 TON, F250, F250(SUPER DUTY), F2 SERIES

MFG./YEAR	MODEL & LOCATION	PART NO.	MFG./YEAR	MODEL & LOCATION	PART NO.
WHEEL FRONT (4 W/D) (Cont.)			WHEEL REAR (Cont.)		
AXLE SHAFT (Cont.)			1994-1985 Ford Full-Floating Axle w/10.25" Ring Gear Thru 4/94:		
1978-1959	Spicer 44 Axle Thru Ser. CE0000:		Scotseal		34387
	Seal	13165	Scotseal Plus XL		34384
1977-1973	Spicer 60 Axle:		Seal & Bearing Kit		BR3992K
	Seal	13246	Bearing (Inner)		BR3994/BR3920
SPINDLE HUB			Bearing (Outer)		BR38
2004-1999	All:		(Set Components)		LM104949/LM104911
	Seal	21918	1985-1980 Spicer Full-Floating Axle:		
1998-1992	4,600 lb. Axle Capacity:		Seal		28720
	Seal (Inner)	14634	Bearing (Inner)		387-AS/382-A
	Seal (Outer)	21918	Bearing (Outer)		BR38
	Bearing	B2414	(Set Components)		LM104949/LM104911
	Seal & Bearing Kit	BK6	1985-1980 Spicer Semi-Floating Axle:		
1998-1991	3,850 lb. Axle Capacity:		Seal		17100
	Seal	22311	Bearing		R1561-TV
	Bearing	B2110	(Axle Repair Brg. Assy.)		• R1561-F
1995-1976	Spicer 44 Axle From Ser. B50000:		1979-1969 From Ser. F30001:		
	Seal (Inner)	22311	Seal		24917
	Seal (Outer)	711818	Bearing		BR38
	Bearing	B2110	(Set Components)		LM104949/LM104911
	Seal & Bearing Kit	BK1	1969-1966 2.5" Brks. Thru Ser. F30000:		
1991-1978	Spicer 50 & 60 Axles:		Seal		23702
	Seal	711822	Bearing (Inner)		BR18790/BR18720
	(V-Ring)	400659	Bearing (Outer)		BR25592/BR25520
	Bearing	B2414	1969-1953 2" Brks. Thru Ser. F30000:		
	Seal & Bearing Kit	BK3	Seal		23755
1977-1976	Spicer 60 Axle From Ser. B50000:		Bearing (Inner)		BR18790/BR18720
	Seal (Inner)	22311	Bearing (Outer)		BR18780/BR18720
	Seal (Outer)	711818	PINION		
	Bearing	B2110	FRONT AXLE		
	Seal & Bearing Kit	BK1	2005-2002 4 Whl. ABS:		
1976-1973	Spicer 44 & 60 Axles Thru Ser. B49999:		Bearing (Front)		HM803146/HM803110
	Seal (Inner)	24917	Bearing (Rear)		HM88542/HM88510
	Seal (Outer)	26620	2005-1999 Rr. Whl. ABS:		
	Bearing	B2110	Seal		15503
STEERING KNUCKLE			(Speedi-Sleeve)		99155
1979-1961	3,500 lb. Spicer 44-6HDF & 60 Axles:		Bearing (Front)		HM88649/HM88610
	Bearing	BR23100/BR23256	Bearing (Rear)		BR02872/BR02820
1975-1959	3,300 lb. Spicer 44-6F Axles:		2001-1999 4 Whl. ABS:		
	Bearing	BR11590/BR11520	Seal		18871
WHEEL REAR			Bearing		HM88542/HM88510
2007-1999	All:		1998-1980 Spicer 50 Axle:		
	Seal	29472	Seal		15788
	Bearing (Inner)	NP114036/NP064306	(Speedi-Sleeve)		99155
	Bearing (Outer)	BR38	Bearing (Front)		HM88649/HM88610
	(Set Components)	LM104949/LM104911	Bearing (Rear)		BR02872/BR02820
1998-1994	Ford Full-Floating Axle w/10.25" Ring Gear From 4/94:		1992-1959 Spicer 44 Axle:		
	Scotseal	34387	Seal		15788
	Scotseal Plus XL	34384	(Speedi-Sleeve)		99155
	Seal & Bearing Kit	BR3992K	Bearing (Front)		BR31594/BR31520
	Bearing (Inner)	BR3992/BR3920	Bearing (Rear)		BR02872/BR02820
	Bearing (Outer)	BR38	1979-1973 Spicer 60 Axle:		
	(Set Components)	LM104949/LM104911	Seal		18891
1998-1985	Ford Semi-Floating Axle w/10.25" Ring Gear:		(Speedi-Sleeve)		99187
	Seal	17327	Bearing (Front)		HM803146/HM803110
	Bearing	R1561-TV	Bearing (Rear)		HM88542/HM88510
	(Axle Repair Brg. Assy.)	• R1561-F			(Continued)

APPLICATIONS
 TRAILER, TAG & PUSHER AXLES
 FRONT AXLES
 DRIVE AXLES
 PINION SEALS
 CONMET®
 LIGHT TRUCK

• See page 256.

For all other in-text symbols, see page 6.

FORD TRUCK 3/4 TON, F250, F250(SUPER DUTY), F2 SERIES -- (Cont.)

MFG./YEAR	MODEL & LOCATION	PART NO.	MFG./YEAR	MODEL & LOCATION	PART NO.
PINION (Cont.)			PINION (Cont.)		
REAR AXLE			REAR AXLE (Cont.)		
2005-1999	Super Duty w/10.50" Ring Gear:		1985-1970	Spicer 60 Axle From Ser. G90001:	
	Seal	18024		Seal	18891
	Bearing (Front)	HM89443/HM89411		(Speedi-Sleeve)	99187
	Bearing (Rear)	NP504493/NP949481		Bearing (Front)	HM88542/HM88510
2004-1999	F250 Super Duty w/11.25" Ring Gear:			Bearing (Rear)	HM803146/HM803110
	Seal	25140	1970-1955	Spicer 60 Axle Thru Ser. G90000:	
	(Use)	+25026		Seal	18888
	(Speedi-Sleeve)	99250		(Speedi-Sleeve)	99187
	Bearing (Outer)	M802048/M802011		Bearing (Front)	HM88542/HM88510
1999-1985	Ford Axle w/10.25" Ring Gear Exc.			Bearing (Rear)	HM803146/HM803110
	Super Duty:		1955-1953	Rockwell Std. Axles:	
	Seal	18024		Seal	18922
	Bearing (Front)	HM89443/HM89411		(Speedi-Sleeve)	99187
	Bearing (Rear)	HM807044/HM807010	1952-1947	All:	
1990-1983	8.80" Ring Gear:			Seal	12456
	Seal	18136		(Speedi-Sleeve)	99125
	(Speedi-Sleeve)	99181		(Speedi-Sleeve/Seal Kit)	480125
	Bearing (Front)	BR52			
	(Set Components)	M88048/M88010			
	Bearing (Rear)	M802048/M802011			
1985-1983	Spicer 70 Axle w/3.50" O.D. Rr. Brg.:				
	Seal	18891			
	(Speedi-Sleeve)	99187			
	Bearing (Front)	HM88542/HM88510			
	Bearing (Rear)	HM803149/HM803110			
1985-1983	Spicer 70 Axle w/4.125" O.D. Rr. Brg.:				
	Seal	18891			
	(Speedi-Sleeve)	99187			
	Bearing (Front)	HM88542/HM88510			
	Bearing (Rear)	HM807040/HM807010			

FORD TRUCK 1 TON, F350, F350(SUPER DUTY), P350, F3 SERIES, P3 SERIES, F53, F59, SUPER DUTY

<p>WHEEL FRONT (2 W/D)</p> <p>2007-2006 From 12/18/06:</p> <p>Seal</p> <p>550504</p> <p>2007-2004 F53 (Stripped Chas.):</p> <p>Bearing (Inner)</p> <p>BR45284</p> <p>Bearing (Outer)</p> <p>BR25880</p> <p>2006-2005 Thru 12/18/06:</p> <p>Seal</p> <p>24017</p> <p>Bearing (Inner)</p> <p>BR38</p> <p>(Set Components)</p> <p>LM104949/LM104911</p> <p>2004-1980 All:</p> <p>Seal</p> <p>24017</p> <p>Bearing (Inner)</p> <p>BR50</p> <p>(Set Components)</p> <p>LM102949/LM102910</p> <p>Bearing (Outer)</p> <p>BR15101/BR15245</p> <p>1979-1975 F350 From Ser. V80001:</p> <p>Seal</p> <p>23300</p> <p>Bearing (Inner)</p> <p>BR50</p> <p>(Set Components)</p> <p>LM102949/LM102910</p> <p>Bearing (Outer)</p> <p>BR15101/BR15245</p> <p>1976-1957 P350:</p> <p>Seal</p> <p>20608</p> <p>Bearing (Inner)</p> <p>BR35</p> <p>(Set Components)</p> <p>LM501349/LM501310</p> <p>Bearing (Outer)</p> <p>BR1380/BR1328</p>	<p>WHEEL FRONT (2 W/D) (Cont.)</p> <p>1975-1968 F350 Thru Ser. V80000:</p> <p>Seal</p> <p>20608</p> <p>Bearing (Inner)</p> <p>BR35</p> <p>(Set Components)</p> <p>LM501349/LM501310</p> <p>Bearing (Outer)</p> <p>BR15101/BR15245</p> <p>1967-1957 F350:</p> <p>Seal</p> <p>20608</p> <p>Bearing (Inner)</p> <p>BR35</p> <p>(Set Components)</p> <p>LM501349/LM501310</p> <p>Bearing (Outer)</p> <p>BR1380/BR1328</p> <p>1956-1953 All:</p> <p>Seal</p> <p>18808</p> <p>Bearing (Inner)</p> <p>BR2788/BR2726</p> <p>Bearing (Outer)</p> <p>BR1380/BR1328</p> <p>1952-1948 F3 Series:</p> <p>Seal</p> <p>17599</p> <p>1952-1948 P3 Series:</p> <p>Seal</p> <p>18808</p> <p>WHEEL FRONT (4 W/D)</p> <p>2005-1999 Dual Rr. Whls., 4 Whl. ABS & Coarse Threaded Studs From 3/22/99:</p> <p>Hub Assembly</p> <p>BR930421</p> <p>2005-1999 8 Studs, Single Rr. Whls. & Rr. Whl. ABS From 3/22/99:</p> <p>Hub Assembly</p> <p>BR930424</p> <p style="text-align: right;">(Continued)</p>
---	---

• See page 256.

For all other in-text symbols, see page 6.

**(Cont.) -- FORD TRUCK 1 TON, F350, F350(SUPER DUTY), P350, F3
SERIES, P3 SERIES, F53, F59, SUPER DUTY**

MFG./YEAR	MODEL & LOCATION	PART NO.	MFG./YEAR	MODEL & LOCATION	PART NO.
WHEEL FRONT (4 W/D) (Cont.)			WHEEL FRONT (4 W/D) (Cont.)		
2005-1999	8 Studs, Single Rr. Whls., 4 Whl. ABS & Coarse Threaded Studs From 3/22/99:		STEERING KNUCKLE		
	Hub Assembly	BR930420	1988-1987	Exc. 4.9L Eng.:	
2004-1999	Single Rr. Whls., Fine Threaded Studs & 4 Whl. ABS From 3/22/99:			Bearing	BR23100/BR23256
	Hub Assembly	BR930438	1986-1979	All:	
1999	Single Rr. Whls., Coarse Threads, 8 Studs & 4 Whl. ABS Thru 3/21/99:			Bearing	BR23100/BR23256
	Hub Assembly	BR930426	WHEEL REAR		
1999	Single Rr. Whls., Coarse Threads, 8 Studs & Rr. Whl. ABS Thru 3/21/99:		2008	6.4L & 6.8L Eng. w/Dual Rr. Whls.:	
	Hub Assembly	BR930427		Seal	28754
1999	Dual Rr. Whls., Coarse Threads, 8 Studs & 4 Whl. ABS Thru 3/21/99:			Bearing (Inner)	387-AS/382-A
	Hub Assembly	BR930425		Bearing (Outer)	BR38
1997-1979	Spicer 50 & 60 Axles:			(Set Components)	LM104949/LM104911
	Seal	27452	2008-2005	5.4L Eng. w/Dual Rr. Whls.:	
	Bearing (Inner)	387-A/382-A		Seal	29472
	Bearing (Outer)	BR38		Bearing (Inner)	NP114036/NP064306
	(Set Components)	LM104949/LM104911		Bearing (Outer)	BR38
1981	Spicer 44 Axle:			(Set Components)	LM104949/LM104911
	Seal	24917	2007-2006	6.0L & 6.8L Eng. w/Dual Rr. Whls. From 12/5/05:	
	Bearing (Inner)	LM104949/JLM104910		Seal	28754
	Bearing (Outer)	BR35		Bearing (Inner)	387-AS/382-A
	(Set Components)	LM501349/LM501310		Bearing (Outer)	BR38
AXLE SHAFT				(Set Components)	LM104949/LM104911
2004-1999	All:		2007-2005	Single Rr. Whls.:	
	Seal (L.H.)	28600		Seal	29472
	Bearing	B2110		Bearing (Inner)	NP114036/NP064306
1997-1985	Spicer 60 Axle:			Bearing (Outer)	BR38
	Seal	15692		(Set Components)	LM104949/LM104911
	(V-Ring)	400450	2007-2004	F53 (Stripped Chas.):	
1986-1983	Spicer 44 & 50 Axles:			Seal	34928
	Seal (L.H.)	12925		Bearing (Inner)	BR33281/BR33462
	Seal (R.H.)	14247		Bearing (Outer)	BR39250/BR39412
1982-1980	Spicer 44 & 50 Axles:		2006-2005	6.0L & 6.8L Eng. w/Dual Rr. Whls. Thru 12/5/05:	
	Seal (L.H.)	12925		Seal	28754
	Seal (R.H.)	16735		Bearing (Outer)	BR38
1979	Spicer 60 Axle:			(Set Components)	LM104949/LM104911
	Seal	15692	2004-1999	F350 w/10.50" Ring Gear:	
SPINDLE HUB				Seal	29472
2004-1999	All:			Bearing (Inner)	NP114036/NP064306
	Seal	21918		Bearing (Outer)	BR38
1997-1992	All:			(Set Components)	LM104949/LM104911
	Seal (Inner)	14634	2004-1999	F350(Super Duty) w/11.25" Ring Gear:	
	Seal (Outer)	21918		Seal	28754
	Bearing	B2414		Bearing (Inner)	387-AS/382-A
	Seal & Bearing Kit	BK6		Bearing (Outer)	BR38
1991-1979	Spicer 50 & 60 Axles:			(Set Components)	LM104949/LM104911
	Seal	711822	1997-1994	F350 From 4/94 w/o 330 (5.4L) Eng., Dana Axle & Super Duty:	
	(V-Ring)	400659		Scotseal	34387
	Bearing	B2414		Scotseal Plus XL	34384
	Seal & Bearing Kit	BK3		Seal & Bearing Kit	BR3992K
1981	Spicer 44 Axle:			Bearing (Inner)	BR3992/BR3920
	Seal (Inner)	22311		Bearing (Outer)	BR38
	Seal (Outer)	711818		(Set Components)	LM104949/LM104911
	Bearing	B2110	1997-1992	F(Super Duty), F53 & F59:	
	Seal & Bearing Kit	BK1		Seal	32527
				Bearing (Inner)	SET408
				(Set Components)	BR39590/BR39520
				Bearing (Outer)	JLM506849/JLM506810
					(Continued)

APPLICATIONS
 TRAILER, TAG & PUSH AXLES
 FRONT AXLES
 DRIVE AXLES
 PINION SEALS
 CONMET®
 LIGHT TRUCK

• See page 256.

For all other in-text symbols, see page 6.

FORD TRUCK 1 TON, F350, F350(SUPER DUTY), P350, F3 SERIES, P3 SERIES, F53, F59, SUPER DUTY -- (Cont.)

MFG./YEAR	MODEL & LOCATION	PART NO.	MFG./YEAR	MODEL & LOCATION	PART NO.
-----------	------------------	----------	-----------	------------------	----------

WHEEL REAR (Cont.)

1994-1985	F350 w/Ford Full-Floating Axle Thru 4/94:				
	Scotseal	34387			
	Scotseal Plus XL	34384			
	Seal & Bearing Kit	BR3992K			
	Bearing (Inner)	BR3994/BR3920			
	Bearing (Outer)	BR38			
	(Set Components)	<i>LM104949/LM104911</i>			
1994-1969	F & P350 From Ser. F30001 w/Spicer Full-Floating Axle Over 5,300 lbs.:				
	Seal	28720			
	Bearing (Inner)	387-AS/382-A			
	Bearing (Outer)	BR38			
	(Set Components)	<i>LM104949/LM104911</i>			
1991	F(Super Duty) From 2/91:				
	Seal	32527			
	Bearing (Inner)	BR39585/BR39520			
	Bearing (Outer)	368-A/362-A			
1991-1988	F(Super Duty) Thru 2/91:				
	Seal	32502			
	Scotseal	32470			
	Bearing (Inner)	BR39585/BR39520			
	Bearing (Outer)	368-A/362-A			
1983	F350 w/Spicer Semi-Floating Axle:				
	Seal	17100			
	Bearing	R1561-TV			
	(Axle Repair Brg. Assy.)	• <i>R1561-F</i>			
1979	F350 w/5,300 lb. Spicer 60 Full-Floating Axle:				
	Seal	24917			
	Bearing	[2] BR38			
	(Set Components)	<i>LM104949/LM104911</i>			
1976-1969	P350 w/5,000 & 5,200 lb. Axles From Ser. F30001:				
	Seal	24917			
	Bearing	[2] BR38			
	(Set Components)	<i>LM104949/LM104911</i>			
1969-1967	F350 From Ser. A84001 Thru Ser. F30000:				
	Seal	28746			
	Bearing (Inner)	387-AS/382-A			
	Bearing (Outer)	BR38			
	(Set Components)	<i>LM104949/LM104911</i>			
1969-1967	P350 w/5,000 & 5,200 lb. Axles Thru Ser. F30000:				
	Seal	23702			
	Bearing (Inner)	BR18790/BR18720			
	Bearing (Outer)	BR25592/BR25520			
1969-1967	P350 w/7,200 & 7,400 lb. Axles From Ser. A84001 Thru Ser. F30000:				
	Seal	28746			
	Bearing (Inner)	387-AS/382-A			
	Bearing (Outer)	BR38			
	(Set Components)	<i>LM104949/LM104911</i>			
1967-1957	P350 w/7,200 & 7,400 lb. Axles Thru Ser. A84000:				
	Seal	27452			
	Bearing (Inner)	387-A/382-A			
	Bearing (Outer)	368-A/362-A			

WHEEL REAR (Cont.)

1967-1953	F350 Thru Ser. A84000:				
	Seal	27452			
	Bearing (Inner)	387-A/382-A			
	Bearing (Outer)	368-A/362-A			
1966-1953	P350 w/5,000 & 5,200 lb. Axles:				
	Seal	23820			
	Bearing (Inner)	368-A/362-A			
	Bearing (Outer)	359-S/354-A			
1952	F3 & P3 Series:				
	Seal	23755			
1951	F3 & P3 Series:				
	Seal (Inner)	23755			
	Seal (Outer)	23820			
1950-1948	F3 & P3 Series:				
	Seal	23820			

PINION

FRONT AXLE

2005-2002	4 Whl. ABS:				
	Bearing (Front)	HM88542/HM88510			
	Bearing (Rear)	HM803146/HM803110			
2005-1999	Rr. Whl. ABS:				
	Seal	15503			
	(Speedi-Sleeve)	99155			
	Bearing (Front)	HM88649/HM88610			
	Bearing (Rear)	BR02872/BR02820			
2001-1999	4 Whl. ABS:				
	Seal	18871			
	Bearing (Front)	HM88542/HM88510			
	Bearing (Rear)	HM803146/HM803110			
1997-1979	Spicer 60 Axle:				
	Seal	18896			
	(Speedi-Sleeve)	99187			
	Bearing (Front)	HM803146/HM803110			
	Bearing (Rear)	HM88542/HM88510			
1985-1980	Spicer 50 Axle:				
	Seal	15788			
	(Speedi-Sleeve)	99155			
	Bearing (Front)	HM88649/HM88610			
	Bearing (Rear)	BR02872/BR02820			
1981	Spicer 44 Axle:				
	Seal	15788			
	(Speedi-Sleeve)	99155			
	Bearing (Front)	BR31594/BR31520			
	Bearing (Rear)	BR02872/BR02820			

REAR AXLE

2005-1999	10.50" Ring Gear:				
	Seal	18024			
	Bearing (Front)	NP504493/NP949481			
	Bearing (Rear)	HM89443/HM89411			
2005-1999	11.25" Ring Gear w/3.73, 4.30, 4.88 & 5.38 Ratios:				
	Seal	25140			
	(Use)	+29528			
	Bearing (Front)	M802048/M802011			

(Continued)

**(Cont.) -- FORD TRUCK 1 TON, F350, F350(SUPER DUTY), P350, F3
SERIES, P3 SERIES, F53, F59, SUPER DUTY**

MFG./YEAR	MODEL & LOCATION	PART NO.	MFG./YEAR	MODEL & LOCATION	PART NO.
PINION (Cont.)			PINION (Cont.)		
REAR AXLE (Cont.)			REAR AXLE (Cont.)		
2005-1999	11.25" Ring Gear w/4.10, 4.63 & 5.13		1970-1954	Spicer 60 Axle Thru Ser. G90000:	
	Ratios:		Seal	18888
			(Speedi-Sleeve)	99187
	Seal	25140	Bearing (Front)	HM88542/HM88510
	(Speedi-Sleeve)	99250	Bearing (Rear)	HM803146/HM803110
	Bearing (Front)	M802048/M802011	1962-1959 Rockwell Std. B140 Axle:		
	Bearing (Rear)	HM807046/HM807010	Seal	21245
1997-1988	F(Super Duty), F53 & F59:		(Speedi-Sleeve)	99212
	Seal	25140	Bearing (Front)	HM89443/HM89410
	(Speedi-Sleeve)	99250	Bearing (Rear)	HM807044/HM807010
	Bearing (Front)	M802048/M802011	1958-1953 Rockwell Std. B100 Axle:		
	Bearing (Rear)	HM807046/HM807010	Seal	21213
1997-1986	F350:		(Speedi-Sleeve)	99212
	Seal	18024	Bearing (Front)	BR27875/BR27820
	Bearing (Front)	HM89443/HM89411	1955-1953 Rockwell Std. B150 Axle:		
	Bearing (Rear)	HM807044/HM807010	Seal	12456
1985-1980	Spicer 60 & 61 Axles:		(Speedi-Sleeve)	99125
	Seal	18891	(Speedi-Sleeve/Seal Kit)	480125
	(Speedi-Sleeve)	99187	1955-1952 Rockwell Std. A150 Axle:		
	Bearing (Front)	HM88542/HM88510	Seal	18922
	Bearing (Rear)	HM803146/HM803110	(Speedi-Sleeve)	99187
1985-1980	Spicer 70 Axle w/3.50" O.D. Rr. Brg.:		1950-1948 Rockwell Std. 53566 Axle:		
	Seal	18891	Seal	13738
	(Speedi-Sleeve)	99187	(Speedi-Sleeve)	99138
	Bearing (Front)	HM88542/HM88510			
	Bearing (Rear)	HM803149/HM803110			
1985-1980	Spicer 70 Axle w/4.125" O.D. Rr. Brg.:				
	Seal	18891			
	(Speedi-Sleeve)	99187			
	Bearing (Front)	HM88542/HM88510			
	Bearing (Rear)	HM807040/HM807010			
1979-1970	Spicer 70 Axle From Ser. G90001:				
	Seal	18891			
	(Speedi-Sleeve)	99187			
	Bearing (Front)	HM88542/HM88510			
	Bearing (Rear)	HM807040/HM807010			
1976-1970	Spicer 60 Axle From Ser. G90001:				
	Seal	18891			
	(Speedi-Sleeve)	99187			
	Bearing (Front)	HM88542/HM88510			
	Bearing (Rear)	HM803146/HM803110			
1970-1961	Spicer 70 Axle Thru Ser. G90000:				
	Seal	18888			
	(Speedi-Sleeve)	99187			
	Bearing (Front)	HM88542/HM88510			
	Bearing (Rear)	HM807040/HM807010			

**FORD TRUCK 1 1/2 TON, 2 1/2 TON, 400 SERIES, 450 SERIES, F450,
F450(SUPER DUTY), 500 SERIES, 550 SERIES, F550(SUPER DUTY), 600
SERIES, 700 SERIES, 800 SERIES**

WHEEL FRONT

2006-2001 F450(Super Duty) w/2 W/D:
Hub Assembly BR930428

2005-1999 F450(Super Duty) & F550(Super Duty)
w/4 W/D, Rr. ABS, Fine Threads, 8
Studs & Single Rr. Whls. From 3/22/99:
Seal 21918
Hub Assembly BR930424

WHEEL FRONT (Cont.)

2004-1999 F450(Super Duty) & F550(Super Duty)
From 3/22/99 w/4 W/D, 4 Whl. ABS &
Dual Rr. Whls.:

Seal 21918
Hub Assembly BR930421
(Continued)

**A
P
P
L
I
C
A
T
I
O
N
S**
**T
R
A
I
L
E
R
T
A
G
&
P
U
S
H
E
R
A
X
L
E
S**
**F
R
O
N
T
A
X
L
E
S**
**D
R
I
V
E
A
X
L
E
S**
**P
I
N
I
O
N
S
E
A
L
S**
**C
O
N
M
E
T®**
**L
I
G
H
T
T
R
U
C
K**

FORD TRUCK 1 1/2 TON, 2 1/2 TON, 400 SERIES, 450 SERIES, F450, F450(SUPER DUTY), 500 SERIES, 550 SERIES, F550(SUPER DUTY), 600 SERIES, 700 SERIES, 800 SERIES -- (Cont.)

MFG./YEAR	MODEL & LOCATION	PART NO.	MFG./YEAR	MODEL & LOCATION	PART NO.
WHEEL FRONT (Cont.)			WHEEL FRONT (Cont.)		
2004-1999	F450(Super Duty) & F550(Super Duty) From 3/22/99 w/4 W/D, 4 Whl. ABS, Coarse Threads, 8 Studs & Single Rr. Whls.:		1999-1996	10,000, 12,000 & 14,600 lb. Axles w/ABS:	
	Seal	21918		Seal	35062
	Hub Assembly	BR930420		Scotseal	35066
2004-1999	F450(Super Duty) & F550(Super Duty) w/4 W/D, Single Rr. Whls., 4 Whl. ABS & Fine Threads From 3/22/99:			Scotseal Plus XL	35058
	Hub Assembly	BR930438		Scotseal Longlife	35103
2003-2000	F650 & F750 w/9,000 lb. Axle & ABS:			Bearing (Inner)	SET439
	Seal	34980		Bearing (Outer)	SET406
	Scotseal	34975		(Set Components)	HM212049-X/HM212011
	Scotseal Plus XL	34971		Bearing (Outer)	SET406
	Bearing (Inner)	BR39581/BR39520		(Set Components)	BR3782/BR3720
	Bearing (Outer)	BR3585/BR3525	1999-1992	7,000, 8,000 & 9,000 lb. Axle w/15" X 4" Brks. w/o ABS:	
2003-2000	F750 w/12,000 lb. Axle & ABS:			Seal	34980
	Seal	35062		Scotseal	34975
	Scotseal	35066		Scotseal Plus XL	34971
	Scotseal Plus XL	35058		Bearing (Inner)	BR39581/BR39520
	Scotseal Longlife	35103		Bearing (Outer)	BR3585/BR3525
	Bearing (Inner)	SET439	1999-1992	10,000, 12,000 & 14,600 lb. Axles w/o Cargo & ABS:	
	(Set Components)	HM212049-X/HM212011		Seal	35062
	Bearing (Outer)	SET406		Scotseal	35066
	(Set Components)	BR3782/BR3720		Scotseal Plus XL	35058
2001-1992	10,000, 12,000 & 14,600 lb. Axles w/o Cargo & ABS:			Scotseal Longlife	35103
	Seal	35062		Bearing (Inner)	SET413
	Scotseal	35066		(Set Components)	HM212049/HM212011
	Scotseal Plus XL	35058		Bearing (Outer)	SET406
	Scotseal Longlife	35103		(Set Components)	BR3782/BR3720
	Bearing (Inner)	SET439	1999-1980	6,000, 7,000 & 7,500 lb. Axles w/Disc & 15" X 3" Brks.:	
	(Set Components)	HM212049-X/HM212011		Seal	28830
	Bearing (Outer)	SET406		Scotseal	28832
	(Set Components)	BR3782/BR3720		Bearing (Inner)	SET410
2001-1984	9,000 lb. Axle w/ABS:			(Set Components)	BR45284/BR45220
	Seal	34980		Bearing (Outer)	BR25880/BR25820
	Scotseal	34975	1991-1984	9,500, 10,000, 10,800 & 12,000 lb. Axles:	
	Scotseal Plus XL	34971		Seal	35062
	Bearing (Inner)	BR39581/BR39520		Scotseal	35066
	Bearing (Outer)	BR3585/BR3525		Scotseal Plus XL	35058
1999	F450(Super Duty) & F550(Super Duty) w/4 W/D, Dual Rr. Whls., Coarse Threads & 4 Whl. ABS Thru 3/21/99:			Scotseal Longlife	35103
	Seal	21918		Bearing (Inner)	SET412
	Hub Assembly	BR930425		(Set Components)	HM212047/HM212011
1999	F450(Super Duty) & F550(Super Duty) w/4 W/D, Single Rr. Whls., 4 Whl. ABS & Coarse Thread Thru 3/21/99:			Bearing (Outer)	SET406
	Hub Assembly	BR930426		(Set Components)	BR3782/BR3720
1999	F450(Super Duty) & F550(Super Duty) w/4 W/D, Single Rr. Whls., Rr. Whl. ABS, & Coarse Threads Thru 3/21/99:		1990-1988	F450 Series:	
	Hub Assembly	BR930427		Seal	24017
				Bearing (Inner)	BR50
				(Set Components)	LM102949/LM102910
				Bearing (Outer)	BR15101/BR15245
			1989-1984	7,500 lb. Axle w/Dayton 20" & 22" Spoke Whls. Exc. LN600 & 700 From 5/1/84:	
				Scotseal	34975
				Scotseal Plus	34971
				Bearing (Inner)	BR39581/BR39520
				Bearing (Outer)	BR3585/BR3525

(Continued)

• See page 256.

For all other in-text symbols, see page 6.

(Cont.) -- FORD TRUCK 1 1/2 TON, 2 1/2 TON, 400 SERIES, 450 SERIES, F450, F450(SUPER DUTY), 500 SERIES, 550 SERIES, F550(SUPER DUTY), 600 SERIES, 700 SERIES, 800 SERIES

MFG./YEAR	MODEL & LOCATION	PART NO.	MFG./YEAR	MODEL & LOCATION	PART NO.
WHEEL FRONT (Cont.)			WHEEL FRONT (Cont.)		
1988-1984	4 W/D, 6,000 & 7,000 lb. Axles & Disc Brks.:		1971-1963	P500 Thru Ser. J70000:	
	Seal	28830		Seal	22483
	Scotseal	28832		Bearing (Inner)	BR25590/BR25520
	Bearing (Inner)	SET410		Bearing (Outer)	BR6
	(Set Components)	BR45284/BR45220		(Set Components)	LM67048/LM67010
	Bearing (Outer)	BR25880/BR25820	1969-1963	B, F & N500 Thru Ser. F90000:	
1988-1984	4 W/D, 9,000 lb. Axle, 15" X 3.5" & 15" X 4" Brks., Budd Whls. & Dayton 20" Spoke Whls.:			Seal	22483
	Scotseal Plus	34971		Bearing (Inner)	BR25590/BR25520
	Bearing (Inner)	BR39581/BR39520		Bearing (Outer)	BR6
	Bearing (Outer)	BR3585/BR3525		(Set Components)	LM67048/LM67010
1984-1980	7,500 lb. Axle w/Dayton 20" & 22" Spoke Whls. Exc. LN600 & 700 Thru 5/1/84:		1963	C550:	
	Seal	34980		Seal	26620
	Bearing (Inner)	BR39581/BR39520		Bearing (Inner)	BR3778/BR3720
	Bearing (Outer)	BR3585/BR3525		Bearing (Outer)	BR25877/BR25820
1983-1980	LN600 & 700 Series w/7,500 lb. Axle Exc. Budd Whls.:		1962-1961	C550:	
	Seal	34980		Seal	26620
	Scotseal	34975		Bearing (Inner)	BR3778/BR3720
	Scotseal Plus	34971		Bearing (Outer)	BR2790/BR2720
	Bearing (Inner)	SET410	1962-1957	B, F & P500:	
	(Set Components)	BR45284/BR45220		Seal	22483
	Bearing (Outer)	BR25880/BR25820		Bearing (Inner)	BR25590/BR25522
1983-1980	LN600 & 700 Series w/7,500 lb. Axle & Budd Whls.:			Bearing (Outer)	BR15106/15250-X
	Seal	35062	1960-1957	C550:	
	Scotseal	35066		Bearing (Inner)	BR3778/BR3720
	Scotseal Plus XL	35058		Bearing (Outer)	BR2790/BR2720
	Scotseal Longlife	35103	1956-1953	B, C, F & P500:	
	Bearing (Inner)	SET410		Seal	23130
	(Set Components)	BR45284/BR45220		Bearing (Inner)	BR25578/BR25522
	Bearing (Outer)	BR25880/BR25820		Bearing (Outer)	BR15106/15250-X
1983-1978	5,500 lb. Axle:		WHEEL REAR		
	Seal	27430	2007-1999	F450(Super Duty) & F550(Super Duty):	
	Bearing (Inner)	BR3778/BR3720		Seal	34928
	Bearing (Outer)	BR25880/BR25820		Bearing (Inner)	BR33281/BR33462
1977-1971	P500 From Ser. J70001:			Bearing (Outer)	BR39250/BR39412
	Seal	22483	2003-2000	F650 & F750 w/17,000 lb. Axle & Dayton Whls.:	
	Bearing (Inner)	BR25590/BR25520		Seal	38750
	Bearing (Outer)	14125-A/BR14274		Bearing (Inner)	SET411
1977-1969	M450 & B, F, LN, M & N500, 600 & 700 From Ser. F90001:			(Set Components)	BR47686/BR47620
	Seal	27430		Bearing (Outer)	SET408
	Bearing (Inner)	BR3778/BR3720		(Set Components)	BR39590/BR39520
	Bearing (Outer)	BR25877/BR25820	2002-1992	21,000, 22,000, 23,000 & 40,000 lb. Axles w/Dayton Whls. From 5/92:	
1976-1957	P400:			Scotseal	47697
	Seal	20608		Scotseal Plus XL	47692
	Bearing (Inner)	BR35		Scotseal Longlife	47693
	(Set Components)	LM501349/LM501310		Bearing (Inner)	SET403
	Bearing (Outer)	BR1380/BR1328		(Set Components)	594-A/592-A
1971-1968	C550 w/6,000 lb. Axle:			Bearing (Outer)	SET401
	Seal	28828		(Set Components)	BR580/BR572
			2000-1990	21,000, 22,000, 23,000, 38,000 & 44,000 lb. Axles w/Budd & Con Met Whls.:	
				Scotseal	47697
				Scotseal Plus XL	47692
				Scotseal Longlife	47693
				Bearing (Inner)	SET403
				(Set Components)	594-A/592-A
				Bearing (Outer)	SET401
				(Set Components)	BR580/BR572
					(Continued)

APPLICATIONS

TRAILER, TAG & PUSHER AXLES

FRONT AXLES

DRIVE AXLES

PINION SEALS

CONMET®

LIGHT TRUCK

• See page 256.

For all other in-text symbols, see page 6.

FORD TRUCK 1 1/2 TON, 2 1/2 TON, 400 SERIES, 450 SERIES, F450, F450(SUPER DUTY), 500 SERIES, 550 SERIES, F550(SUPER DUTY), 600 SERIES, 700 SERIES, 800 SERIES -- (Cont.)

MFG./YEAR	MODEL & LOCATION	PART NO.	MFG./YEAR	MODEL & LOCATION	PART NO.
WHEEL REAR (Cont.)			WHEEL REAR (Cont.)		
1999-1992	15,000 lb. Axle w/8 Hole Disc Whls.:		1985-1980	13,000 lb. Axle:	
	Bearing (Inner)	BR33287/BR33462		Seal	31307
	Bearing (Outer)	BR3982/BR3920		Bearing (Inner)	BR3984/BR3920
1999-1992	15,000 lb. Axle w/6 Hole Disc Brks.			Bearing (Outer)	BR462/453-X
	From 5/92:		1983-1973	17,500 lb. Axle:	
	Scotseal	34387		Seal	39423
	Scotseal Plus XL	34384		Bearing (Inner)	495-AX/BR493
	Bearing (Inner)	BR33287/BR33462		Bearing (Outer)	SET408
	Bearing (Outer)	BR3982/BR3920		(Set Components)	BR39590/BR39520
1999-1992	17,500, 18,000, 19,000 & 34,000 lb.		1977-1957	11,000 & 13,000 lb. Axles:	
	Axles From 5/92:			Scotseal	31307
	Scotseal	38780		Seal Kit	1306
	Scotseal Plus XL	38776		Bearing (Inner)	BR3984/BR3920
	Bearing (Inner)	SET411		Bearing (Outer)	BR462/453-X
	(Set Components)	BR47686/BR47620	1976-1969	P400 From Ser. F30001:	
	Bearing (Outer)	SET408		Seal	28720
	(Set Components)	BR39590/BR39520		Bearing (Inner)	387-AS/382-A
1999-1990	21,000 & 38,000 lb. Axles w/Motor			Bearing (Outer)	BR38
	Whls.:			(Set Components)	LM104949/LM104911
	Bearing (Inner)	SET404	1969-1967	P400 From Ser. A84001 Thru F30000:	
	(Set Components)	598-A/592-A		Seal	28746
	Bearing (Outer)	SET401		Bearing (Inner)	387-AS/382-A
	(Set Components)	BR580/BR572		Bearing (Outer)	BR38
1992-1990	17,500, 18,000 & 19,000 lb. Axles w/15"			(Set Components)	LM104949/LM104911
	X 7" & 16" X 7" Brks. Thru 5/92:		1968-1964	15,000 lb. Axle Thru Ser. C70000:	
	Scotseal	38780		Scotseal	31307
	Scotseal Plus XL	38776		Seal	31299
	Bearing (Inner)	SET411		Bearing (Inner)	BR33287/BR33462
	(Set Components)	BR47686/BR47620		Bearing (Outer)	BR3982/BR3920
	Bearing (Outer)	SET408	1967-1964	P400 Thru Ser. A84000:	
	(Set Components)	BR39590/BR39520		Seal	27452
1992-1968	15,000 lb. Axle From Ser. C70001 Thru			Bearing (Inner)	387-A/382-A
	5/92:			Bearing (Outer)	BR38
	Scotseal	34387		(Set Components)	LM104949/LM104911
	Scotseal Plus XL	34384	1963-1957	C550 w/15,000 & 22,000 lb. Axles:	
	Seal Kit	1307		Scotseal (Inner)	34387
	Bearing (Inner)	BR33287/BR33462		Scotseal Plus XL	34384
	Bearing (Outer)	BR3982/BR3920		Seal (Inner)	34383
1991-1990	21,000 & 23,000 lb. Axles w/Gunite			Bearing (Inner)	BR33287/BR33462
	Whls.:			Bearing (Outer)	BR3982/BR3920
	Scotseal	47697	1963-1957	P400:	
	Scotseal Plus XL	47692		Seal	27452
	Scotseal Longlife	47693		Bearing (Inner)	387-A/382-A
	Bearing (Inner)	SET403		Bearing (Outer)	368-A/362-A
	(Set Components)	594-A/592-A	1963-1957	15,000 lb. Axle Exc. C550:	
	Bearing (Outer)	BR749/BR572		Scotseal (Inner)	34387
1989-1980	18,500 & 19,000 lb. Axles Exc. 15" x 6"			Scotseal Plus XL	34384
	Brks.:			Seal (Inner)	34383
	Scotseal	38780		Seal (Outer)	23870
	Scotseal Plus	38776		Bearing (Inner)	BR33287/BR33462
	Bearing (Inner)	SET411		Bearing (Outer)	BR3982/BR3920
	(Set Components)	BR47686/BR47620	1956-1953	B, C, F & N500:	
	Bearing (Outer)	SET408		Bearing (Inner)	BR3984/BR3920
	(Set Components)	BR39590/BR39520			(Continued)
1986-1984	17,500 lb. Axle w/20" & 22" Spoke				
	Whls.:				
	Scotseal	38780			
	Scotseal Plus	38776			
	Bearing (Inner)	SET411			
	(Set Components)	BR47686/BR47620			
	Bearing (Outer)	SET408			
	(Set Components)	BR39590/BR39520			

• See page 256.

For all other in-text symbols, see page 6.

(Cont.) -- FORD TRUCK 1 1/2 TON, 2 1/2 TON, 400 SERIES, 450 SERIES, F450, F450(SUPER DUTY), 500 SERIES, 550 SERIES, F550(SUPER DUTY), 600 SERIES, 700 SERIES, 800 SERIES

MFG./YEAR	MODEL & LOCATION	PART NO.	MFG./YEAR	MODEL & LOCATION	PART NO.
PINION			PINION (Cont.)		
2004-1999	14.25" Ring Gear:		1998-1993	Rockwell Std. RS17145 Axle From 2/93:	
	Seal	18871		Seal	30153
	Bearing (Front)	55175-C/BR55443		(Speedi-Sleeve)	99300
	Bearing (Rear)	72225-C/BR72487		Bearing (Front)	55206-C/BR55437
2004-1999	11.25" Ring Gear w/3.73, 4.30, 4.88 & 5.38 Ratios:			Bearing (Pilot)	RU1570-UM
	Seal	25140		Bearing (Rear)	72212-C/BR72487
	(Use)	+29528	1998-1992	Rockwell Std. RS19145 Axle:	
	Bearing (Front)	M802048/M802011		Seal	30153
2004-1999	11.25" Ring Gear w/4.10, 4.63 & 5.13 Ratios:			(Speedi-Sleeve)	99300
	Seal	25140		Bearing (Front)	55206-C/BR55437
	(Speedi-Sleeve)	99250		Bearing (Pilot)	RU1570-UM
	Bearing (Front)	M802048/M802011		Bearing (Rear)	72212-C/BR72487
	Bearing (Rear)	HM807046/HM807010	1998-1990	Rockwell Std. RS23160 Axle From 5/90:	
2000-1999	Rockwell Std. RS17144, RS17145 & RS21145 Axles:			Seal	33254
	Seal	29917		(Speedi-Sleeve)	99326
	Bearing (Front)	72212-C/BR72487		Bearing (Front)	HM813843/HM813810
	Bearing (Pilot)	RU1570-UM		Bearing (Pilot)	MU1308-TV
	Bearing (Rear)	55206-C/BR55437		Bearing (Rear)	BR9278/BR9220
2000-1999	Rockwell Std. RS23160 Axle:		1998-1987	Rockwell Std. RS21145 Axle:	
	Seal	32870		Seal	30153
	Bearing (Front)	55206-C/BR9220		(Speedi-Sleeve)	99300
	Bearing (Pilot)	MU1308-TV		Bearing (Front)	55206-C/BR55437
	Bearing (Rear)	HM813843/HM813810		Bearing (Pilot)	RU1570-UM
1999-1992	Rockwell Std. RS19220 Axle:			Bearing (Rear)	72212-C/BR72487
	Seal	25106	1998-1987	Rockwell Std. RS21230 Axle:	
	(Speedi-Sleeve)	99250		Seal	25106
	Bearing (Front)	M804049/M804010		(Speedi-Sleeve)	99250
	Bearing (Pilot)	RU1570-UM		Bearing (Front)	HM804846/HM804810
	Bearing (Rear)	55200-C/BR55437		Bearing (Rear)	55200-C/BR55437
1999-1992	Rockwell Std. RS23180 Axle:		1993	Rockwell Std. RS17145 Axle Thru 2/93:	
	Seal	33254		Seal	30153
	(Speedi-Sleeve)	99326		(Speedi-Sleeve)	99300
	Bearing (Front)	SET418		Bearing (Front)	55206-C/BR55437
	(Set Components)	H715334/H715311		Bearing (Pilot)	RU1570-UM
	Bearing (Pilot)	MUB7309-UM		Bearing (Rear)	72212-C/BR72487
	Bearing (Rear)	BR9278/BR9220	1992-1987	Rockwell Std. RS17140 & RS17220 Axles:	
1999-1988	Rockwell Std. RS15210 Axle From 11/87:			Seal	25106
	Seal	25106		(Speedi-Sleeve)	99250
	(Speedi-Sleeve)	99250		Bearing (Front)	M804049/M804010
	Bearing (Front)	M804049/M804010		Bearing (Pilot)	RU1570-UM
	Bearing (Pilot)	MU1305UM18		Bearing (Rear)	55200-C/BR55437
	Bearing (Rear)	55200-C/BR55437	1991-1987	Rockwell Std. RS23180 Axle:	
1999-1987	Rockwell Std. RS13120 & RS15120 Axles:			Seal	33254
	Seal	25106		(Speedi-Sleeve)	99326
	(Speedi-Sleeve)	99250		Bearing (Front)	SET418
	Bearing (Front)	HM804846/HM804810		(Set Components)	H715334/H715311
	Bearing (Pilot)	MU1305UM18		Bearing (Rear)	BR9278/BR9220
	Bearing (Rear)	55200-C/BR55437	1990	Rockwell Std. RS23160 w/o Snap Ring Thru 5/90:	
1999-1987	Rockwell Std. RS23240 Axle:			Seal	33254
	Seal	30153		(Speedi-Sleeve)	99326
	(Speedi-Sleeve)	99300		Bearing (Front)	HM813843/HM813810
	Bearing (Front)	55206-C/BR55437		Bearing (Rear)	BR9278/BR9220
	Bearing (Rear)	78225-C/BR78551			(Continued)

APPLICATIONS
TRAILER, TAG & PUSHER AXLES
FRONT AXLES
DRIVE AXLES
PINION SEALS
CONMET®
LIGHT TRUCK

FORD TRUCK 1 1/2 TON, 2 1/2 TON, 400 SERIES, 450 SERIES, F450, F450(SUPER DUTY), 500 SERIES, 550 SERIES, F550(SUPER DUTY), 600 SERIES, 700 SERIES, 800 SERIES -- (Cont.)

MFG./YEAR	MODEL & LOCATION	PART NO.	MFG./YEAR	MODEL & LOCATION	PART NO.
PINION (Cont.)			PINION (Cont.)		
1990	Rockwell Std. RS23160 w/Snap Ring Thru 5/90:		1986-1980	Spicer M185T, M190T, M220S & M220T Axles:	
	Seal	33254		Seal	30100
	(Speedi-Sleeve)	99326		(Speedi-Sleeve)	99300
	Bearing (Front)	HM813843/HM813810		Bearing (Front)	55200-C/BR55437
	Bearing (Pilot)	RU9008-UM		Bearing (Front)	MUS1308TM1
	Bearing (Rear)	BR9278/BR9220		Bearing (Rear)	72225-C/BR72487
1988-1987	Rockwell Std. RS15210 Axle Thru 11/87:		1986-1961	Eaton 1614 & 16244 Axles:	
	Seal	25106		Seal	26378
	(Speedi-Sleeve)	99250		(Speedi-Sleeve)	99262
	Bearing (Front)	M804049/M804010		Bearing (Rear)	55175-C/BR55437
	Bearing (Pilot)	MU1305UM18	1986-1955	Rockwell Std. D100 & D140 Axles:	
	Bearing (Rear)	55200-C/BR55437		Seal	21379
1988-1984	Rockwell Std. R170 Axle From 2/84:			(Speedi-Sleeve)	99212
	Seal	30144		Bearing (Pilot)	MU1305TM17
	(Speedi-Sleeve)	99300		Bearing (Rear)	BR44143/HM803110
	Bearing (Front)	SET418	1985-1980	B, C, F, L & LN 600 & 700 Series w/Dana M185T Axle:	
	(Set Components)	H715334/H715311		Seal	30100
	Bearing (Pilot)	MU1309TM19		(Speedi-Sleeve)	99300
	Bearing (Rear)	SET418		Bearing (Front)	55200-C/BR55437
	(Set Components)	H715334/H715311		Bearing (Pilot)	MUS1308TM1
1988-1980	Eaton 22121 & 22221 Axles:			Bearing (Rear)	72225-C/BR72487
	Bearing (Rear)	72200-C/BR72487	1985-1975	B & F 500; B, C, F & LN 600 & 700 Series w/Rockwell Std. F106 Axle Thru 4/85:	
1988-1976	Eaton 23121 & 23221 Axles:			Seal	22619
	Seal	29471		(Speedi-Sleeve)	99225
	(Speedi-Sleeve)	99293		Bearing	[2] HM803149/HM803110
	Bearing (Front)	72212-C/BR72487		Bearing (Pilot)	MU1305UM18
	Bearing (Rear)	78215-C/BR78551	1984-1973	Rockwell Std. R170 Axle Thru 2/84:	
1988-1961	Eaton 17100, 17101, 17120, 17121, 17200, 17201, 17220, 17221, 17800, 17801, 18121, 18221, 22121, 22221 & 7800 Axles:			Seal	30057
	Seal	26378		(Speedi-Sleeve)	99300
	(Speedi-Sleeve)	99262		Bearing (Front)	SET418
	Bearing	[2] 55200-C/BR55437		(Set Components)	H715334/H715311
	Bearing (Pilot)	MUS1307TM1		Bearing (Pilot)	MU1309TM19
1987-1986	B, C, F, L & LN 600 & 700 Series w/Dana M185T Axle:			Bearing (Rear)	SET419
	Bearing (Front)	55200-C/BR55437		(Set Components)	H715343/H715311
	Bearing (Rear)	72225-C/BR72487	1977-1976	B, F & P500 w/Rockwell Std. D140 Axle From Ser. B000000:	
1987-1975	B, C, F & LN 600 Series w/Rockwell Std. D140 Axle:			Seal	21379
	Seal	21379		(Speedi-Sleeve)	99212
	(Speedi-Sleeve)	99212		Bearing (Front)	BR44143/BR44348
	Bearing (Front)	BR44143/BR44348		Bearing (Pilot)	MU1305TM17
	Bearing (Rear)	HM803146/HM803110		Bearing (Rear)	HM803146/HM803110
1986-1985	B, C, CF, L & LN 600 & 700 w/Rockwell Std. F106 Axle From 4/85:		1977-1973	B & F500 w/Eaton 15201 Axle:	
	Seal	22619		Seal	22653
	(Speedi-Sleeve)	99225		(Speedi-Sleeve)	99225
	Bearing	[2] HM803149/HM803110		Bearing	[2] HM903249/HM903210
	Bearing (Pilot)	MU1305UM18		Bearing (Pilot)	MU1305TM17
1986-1980	Spicer G175T Axle:		1976-1975	B, F & P500 w/Rockwell Std. D140 Axle From Ser. W20001 Thru Ser. B00000:	
	Seal	30100		Seal	21213
	(Speedi-Sleeve)	99300		(Speedi-Sleeve)	99212
	Bearing	[2] 55200-C/BR55437		Bearing (Front)	BR44143/BR44348
	Bearing (Pilot)	MUS1307TM1		Bearing (Pilot)	MU1305TM17
				Bearing (Rear)	HM903244/HM903216

(Continued)

• See page 256.

For all other in-text symbols, see page 6.

(Cont.) -- FORD TRUCK 1 1/2 TON, 2 1/2 TON, 400 SERIES, 450 SERIES, F450, F450(SUPER DUTY), 500 SERIES, 550 SERIES, F550(SUPER DUTY), 600 SERIES, 700 SERIES, 800 SERIES

MFG./YEAR	MODEL & LOCATION	PART NO.	MFG./YEAR	MODEL & LOCATION	PART NO.
PINION (Cont.)			PINION (Cont.)		
1976-1970	P400 w/Spicer 70B & 70HD Axles From Ser. G90001:		1970-1957	P400 w/Spicer 70B & 70HD Axles Thru Ser. G90000:	
	Seal	18891		Seal	18888
	(Speedi-Sleeve)	99187		(Speedi-Sleeve)	99187
	Bearing (Front)	HM88542/HM88510		Bearing (Front)	HM88542/HM88510
	Bearing (Rear)	HM807040/HM807010		Bearing (Rear)	HM807040/HM807010
1975	B, F & P500 Series w/Rockwell Std. D100 Axle:		1969-1957	B, F, N, P500 & C550 Series w/Eaton 1350 Axle:	
	Seal	21213		Seal	22425
	(Speedi-Sleeve)	99212		(Speedi-Sleeve)	99225
	Bearing (Front)	BR44143/BR44348		Bearing	[2] BR53176/BR53375
	Bearing (Pilot)	MU1305TM17		Bearing (Pilot)	MU1305TM17
	Bearing (Rear)	HM903244/HM903216	1967-1963	B, F, N500 & C550 Series w/Rockwell Std. F106 Axle Thru Ser. B26000:	
1975-1973	M450, B, F, M & P500 Series w/Rockwell Std. D140 Axle Thru Ser. W20000:			Seal	22425
	Seal	21213		(Speedi-Sleeve)	99225
	(Speedi-Sleeve)	99212		Bearing	[2] BR53176/BR53375
	Bearing (Front)	BR44143/BR44348		Bearing (Pilot)	MU1305UM18
	Bearing (Pilot)	MU1305TM17	1963	B, N500 & C550 Series w/Eaton 13802 Axle:	
	Bearing (Rear)	HM903244/HM903210		Seal	22425
1974-1973	M450, B, F, M & P500 Series w/Rockwell Std. D100 Axle:			(Speedi-Sleeve)	99225
	Seal	21213		Bearing	[2] HM903249/HM903210
	(Speedi-Sleeve)	99212		Bearing (Pilot)	MU1305TM17
	Bearing (Front)	BR44143/BR44348	1962-1959	P400 w/Rockwell Std. B140 Axle:	
	Bearing (Pilot)	MU1305TM17		Seal	21245
	Bearing (Rear)	HM803146/HM803110		(Speedi-Sleeve)	99212
1974-1967	B, C, F & LN500 Series w/Rockwell Std. F106 Axle From Ser. B26001:			Bearing (Front)	HM89443/HM89410
	Seal	22425		Bearing (Rear)	HM807044/HM807010
	(Speedi-Sleeve)	99225	1958-1957	P400 w/Rockwell Std. B100 Axle:	
	Bearing	[2] HM903247/HM903216		Seal	21213
	Bearing (Pilot)	MU1305UM18		(Speedi-Sleeve)	99212
1974-1957	M450, B, F, LN, M, N & P500 Series w/Rockwell Std. C100 Axle:			Bearing (Front)	BR27875/BR27820
	Seal	21213	ELECTRIC SHIFT		
	(Speedi-Sleeve)	99212	1985-1974	Eaton 15201, 16244, 17201, 17221, 18221, 19221, 22221 & 23221 Axles w/Electric Shift:	
	Bearing (Front)	BR44143/BR44348		Bearing	6200-ZNRJ
	Bearing (Pilot)	MU1305TM17	1973-1957	B, C & F500, 600, 700 & P500 Series w/Electric Shift:	
	Bearing (Rear)	M903345/M903310		Bearing	6200-ZNRJ
1972	B, F & P500 Series w/Rockwell Std. D100 Axle From Ser. N80001:		FRONT AXLE		
	Seal	21213	2004-2001	Dual Rr. Whls.:	
	(Speedi-Sleeve)	99212		Bearing (Front)	HM803146/HM803110
	Bearing (Front)	BR44143/BR44348		Bearing (Rear)	HM88542/HM88510
	Bearing (Pilot)	MU1305TM17	2004-1999	Single Rr. Whls.:	
	Bearing (Rear)	HM903244/HM903210		Seal	15503
1972-1964	B, C, F & LN500 Series w/Eaton 15201 Axle:			(Speedi-Sleeve)	99155
	Seal	22653		Bearing (Front)	HM88649/HM88610
	(Speedi-Sleeve)	99225		Bearing (Rear)	BR02872/BR02820
	Bearing	[2] BR53176/BR53375	1997-1995	F450(Super Duty):	
	Bearing (Pilot)	MU1305TM17		Seal	18896
1972-1957	B, F, LN, P500 & C550 Series w/Rockwell Std. D100 Axle Thru Ser. N80000:			(Speedi-Sleeve)	99187
	Seal	21213			
	(Speedi-Sleeve)	99212			
	Bearing (Front)	BR44143/BR44348			
	Bearing (Pilot)	MU1305TM17			

A P P L I C A T I O N S
T R A I L E R , T A G & P U S H E R A X L E S
F R O N T A X L E S
D R I V E A X L E S
P I N I O N S E A L S
C O N M E T®
L I G H T T R U C K

FUSO TRUCK

MFG./YEAR	MODEL & LOCATION	PART NO.	MFG./YEAR	MODEL & LOCATION	PART NO.
WHEEL FRONT			PINION		
1993-1987	w/o Exhaust Brks.:		REAR AXLE		
	Bearing (Outer)	BR30207	1993-1987	All:	
1993-1987	Exhaust Brks.:			Bearing (Outer)	HM801346/HM801310
	Bearing (Outer)	BR32207			

HINO TRUCK

WHEEL FRONT			PINION		
1991-1987	All:		REAR AXLE		
	Bearing (Inner)	BR32210	1993-1987	All:	
	Bearing (Outer)	BR32207		Bearing	[2] BR30309
WHEEL REAR					
1991-1987	All:				
	Bearing (Inner)	BR29586/BR29522			
	Bearing (Outer)	BR28680/BR28622			

HONDA TRUCK CR-V, ELEMENT, PASSPORT, PILOT, RIDGELINE

WHEEL FRONT			WHEEL REAR (Cont.)		
2007	CR-V:		2005-2003	Element From Chassis # 3L014266	
	Sealed Bearing	FW97		Exc. EX:	
2007-2006	Ridgeline:			Hub Assembly	BR930496
	Sealed Bearing	FW77	2004-2003	CR-V w/o ABS:	
2007-2005	Pilot:			Sealed Bearing	FW152
	Bearing	FW207	2003	Element EX From Chassis # 3L038381:	
2006-2005	CR-V & Element:			Hub Assembly (L.H.)	BR930319
	Sealed Bearing	FW38		Hub Assembly (R.H.)	BR930619
2004-2003	Pilot:		2002	Passport w/4 W/D & 3.2L Eng.:	
	Sealed Bearing	FW147		Bearing	BR10
2004-2002	CR-V LX & Element DX w/o ABS:		2001-1997	CR-V:	
	Sealed Bearing	FW145		Hub Assembly (L.H.)	BR930444
2004-2002	CR-V EX & Element EX:			Hub Assembly (R.H.)	BR930434
	Sealed Bearing	FW38	2001-1994	Passport w/4 W/D & 3.2L Eng.:	
2004-2002	CR-V LX U.K. Production:			Seal	18731
	Sealed Bearing	FW145		Sealed Bearing w/Lock Ring	GRW131-R
2004-2002	CR-V LX w/ABS:		1996-1994	Passport w/2 W/D & 2.6L Eng.:	
	Sealed Bearing	FW38		Seal	14002
2002	Passport w/2 W/D:			Bearing	R1563-TAV
	Hub Assembly	BR930391	PINION		
2002	Passport w/4 W/D:		FRONT AXLE		
	Hub Assembly	BR930390	2004-2002	CR-V & Element:	
2001-1997	CR-V:			Seal	15709
	Sealed Bearing	FW145		Bearing (Front)	BR4
2001-1994	Passport:			(Set Components)	L44649/L44610
	Seal	23278	2001-1994	Passport:	
	Bearing (Inner)	32009-XJA		Seal	16021
	Bearing (Outer)	32008-X		Bearing (Front)	BR30306
WHEEL REAR				Bearing (Rear)	BR32307
2007-2006	Ridgeline:		REAR AXLE		
	Sealed Bearing	GRW77	2004-2003	Pilot:	
2007-2006	Element:			Seal	14921
	Hub Assembly (L.H.)	BR930319		(Speedi-Sleeve)	99139
	Hub Assembly (R.H.)	BR930619	2001-1997	CR-V:	
2007-2003	Pilot:			Seal	15709
	Sealed Bearing	FW145			(Continued)
2006-2002	CR-V w/ABS:				
	Sealed Bearing	GRW38			
2005-2004	Element EX:				
	Hub Assembly (L.H.)	BR930319			
	Hub Assembly (R.H.)	BR930619			

• See page 256.

For all other in-text symbols, see page 6.

**(Cont.) -- HONDA TRUCK CR-V, ELEMENT, PASSPORT, PILOT,
RIDGELINE**

MFG./YEAR	MODEL & LOCATION	PART NO.	MFG./YEAR	MODEL & LOCATION	PART NO.
PINION (Cont.) REAR AXLE (Cont.)			PINION (Cont.) REAR AXLE (Cont.)		
2001-1994 Passport w/3.2L Eng.:			1996-1994 Passport w/2.6L Eng.:		
	Seal	15791		Seal	14755
	(Speedi-Sleeve)	99155		(Speedi-Sleeve)	99147
	Bearing (Front)	BR02872/BR02820		Bearing (Front)	M86649/M86610
	Bearing (Rear)	HM88649/HM88610		Bearing (Rear)	HM89249/HM89210

HUMMER H1, H2, H3

WHEEL FRONT	
2007-2003 H2:	
Hub Assembly	BR930416
2006 H1:	
Bearing (Inner)	BR3490/BR3420
Bearing (Outer)	BR3780/BR3720
2004-2002 H1:	
Seal	35116
Bearing (Inner)	BR3490/BR3420
Bearing (Outer)	BR3780/BR3720
WHEEL REAR	
2007-2006 H3:	
Seal	16146
Bearing	DK59047
2007-2003 H2:	
Seal	17005
Bearing	R1561-TV
(Axle Repair Brg. Assy.)	• R1561-F
2006 H1:	
Bearing (Inner)	BR3490/BR3420
Bearing (Outer)	BR3780/BR3720
2004-2002 H1:	
Seal	35116
Bearing (Inner)	BR3490/BR3420
Bearing (Outer)	BR3780/BR3720

PINION	
FRONT AXLE	
2006 H3:	
Bearing (Outer)	M86649/M86610
2004-2003 All:	
Seal	19428
REAR AXLE	
2006 H3:	
Seal	21285
(Speedi-Sleeve)	99212
Bearing (Inner)	HM89249/HM89210
Bearing (Outer)	M88048/M88010
2005-2003 All:	
Seal	20880
Bearing (Front)	HM88649/HM88610
Bearing (Rear)	HM804846/HM804810

IHC LIGHT TRUCK SCOUT, SCOUT II

WHEEL FRONT	
1980-1972 FA3, FA13 (Spicer 30), FA43 & FA44 (Spicer 44) Axles:	
Seal	23300
Bearing (Inner)	BR50
(Set Components)	LM102949/LM102910
Bearing (Outer)	BR35
(Set Components)	LM501349/LM501310
1971-1967 FA11, FA14 (Spicer 27), FA21 & FA24 (Spicer 30) Axles From Ser. FC60131, G165000:	
Seal	21121
Bearing	[2] BR35
(Set Components)	LM501349/LM501310
1971-1961 FA4 (IHC) Axle:	
Seal	16520
Bearing (Inner)	BR15123/BR15245
Bearing (Outer)	BR09067/BR09195
1967-1961 FA11, FA14 (Spicer 27), FA21 & FA24 (Spicer 30) Axles Thru Ser. FC60130:	
Seal	21101
Bearing	[2] BR18590/BR18520

WHEEL FRONT (Cont.)	
AXLE SHAFT	
1980-1971 FA43 & FA44 (Spicer 44) Axles:	
Seal	13165
1980-1961 FA11, FA14 (Spicer 27) & FA21 (Spicer 30) Axles:	
Seal	11771
1972-1971 FA13 (Spicer 30) Axle:	
Seal	11800
SPINDLE HUB	
1980-1973 FA43 & FA44 (Spicer 44) Axles:	
Seal (Inner)	22311
Seal (Outer)	711818
Bearing Assembly	B2110
Seal & Bearing Kit	BK1
1972-1971 FA43 & FA44 (Spicer 44) Axles:	
Seal (Inner)	19992
Seal (Outer)	711818
Bearing Assembly	B2110
Seal & Bearing Kit	BK2
(Continued)	

APPLICATIONS
 TRAILER, TAG & PUSHER AXLES
 FRONT AXLES
 DRIVE AXLES
 PINION SEALS
 CONMET®
 LIGHT TRUCK

APPLICATIONS
 TRAILER, TAG & PUSHER AXLES
 FRONT AXLES
 DRIVE AXLES
 PINION SEALS
 CONMET®
 LIGHT TRUCK

IHC LIGHT TRUCK SCOUT, SCOUT II -- (Cont.)

MFG./YEAR MODEL & LOCATION PART NO.

WHEEL REAR

1980-1969 RA18 & RA28 (Spicer 44) Axles:	
Seal (Inner)	15142
Seal (Outer)	18731
Bearing	BR10
1971-1961 RA9 & RA23 (Spicer 44) Axles:	
Seal (Inner)	15649
Seal (Outer)	20554
Bearing	3382-T/BR3320
1968-1961 RA4 & RA14 (Spicer 27) Axles:	
Seal (Inner)	11081
Seal (Outer)	12508
Bearing	15121-T/BR15245

PINION

FRONT AXLE

1980-1971 FA43 & FA44 (Spicer 44) Axles:	
Seal	15788
(Speedi-Sleeve)	99155
Bearing (Front)	BR31594/BR31520
Bearing (Rear)	BR02872/BR02820
1980-1961 FA11, FA13, FA21 (Spicer 30) & FA24 (Spicer 27) Axles:	
Seal	15788
(Speedi-Sleeve)	99155
Bearing (Front)	HM88649/HM88610
Bearing (Rear)	BR02872/BR02820
1971-1967 FA14 (Spicer 27) Axle From Ser. FC15544, G165000:	
Seal	15788
(Speedi-Sleeve)	99155
Bearing (Front)	HM88649/HM88610
Bearing (Rear)	BR02872/BR02820
1967-1961 FA14 (Spicer 27) Axle Thru Ser. FC15543:	
Seal	15788
(Speedi-Sleeve)	99155
Bearing (Front)	HM88649/HM88610
Bearing (Rear)	M86647/M86610

PINION (Cont.)

REAR AXLE

1980-1961 RA9, RA18, RA23 & RA28 (Spicer 44) Axles:	
Seal	15788
(Speedi-Sleeve)	99155
Bearing (Front)	BR02872/BR02820
Bearing (Rear)	BR31594/BR31520
1968-1967 RA4 & RA14 (Spicer 27) Axles From Ser. FC7727 & G165000:	
Seal	15788
(Speedi-Sleeve)	99155
Bearing (Front)	BR02872/BR02820
Bearing (Rear)	HM88649/HM88610
1967-1961 RA4 & RA14 (Spicer 27) Axles Thru Ser. FC7726:	
Seal	15788
(Speedi-Sleeve)	99155
Bearing (Front)	M86647/M86610
Bearing (Rear)	HM88649/HM88610

IHC LIGHT TRUCK METRO, 1/2 Thru 1 1/2 TON MODELS

WHEEL FRONT

1980-1976 1610 Ser. w/FA-69 Axle:	
Seal	28035
Bearing (Inner)	BR3778/BR3720
Bearing (Outer)	BR2689/BR2620
1975-1965 FA72 (5,500 lb. IHC) Axle:	
Seal (Felt)	662
Bearing (Inner)	BR3578/BR3525
Bearing (Outer)	BR2689/BR2620
1975-1959 FA1 (2,500 lb. IHC) Axle w/11" Brks.:	
Seal	18050
Bearing (Inner)	BR5
(Set Components)	LM48548/LM48510
Bearing (Outer)	BR3
(Set Components)	M12649/M12610
1975-1959 FA1 (2,500 lb. IHC) Axle w/12" Brks.:	
Seal	18149
Bearing (Inner)	BR14130/BR14274
Bearing (Outer)	BR12580/BR12520

WHEEL FRONT (Cont.)

1975-1957 FA28 (4,000 lb. IHC) & FA48 (4,700 lb. IHC) Axles w/1.562" Spindle Dia.:	
Seal (Felt)	515
Bearing (Inner)	BR26881/BR26823
Bearing (Outer)	BR1779/BR1729
1975-1957 FA28 (4,000 lb. IHC) & FA48 (4,700 lb. IHC) Axles w/1.686" Spindle Dia.:	
Seal	22371
Bearing (Inner)	BR26884/BR26823
Bearing (Outer)	BR1779/BR1729
1975-1957 FA98 (7,500 lb. IHC) Axle:	
Scotseal	27438
Seal (Felt)	663
Bearing (Inner)	BR33895/BR33821
Bearing (Outer)	BR3196/BR3120
1975-1956 FA10 (3,200 lb. IHC) Axle:	
Seal	18149
Bearing (Inner)	BR14130/BR14274
Bearing (Outer)	BR12580/BR12520

(Continued)

• See page 256.

For all other in-text symbols, see page 6.

(Cont.) -- IHC LIGHT TRUCK METRO, 1/2 Thru 1 1/2 TON MODELS

Table with 6 columns: MFG./YEAR, MODEL & LOCATION, PART NO., MFG./YEAR, MODEL & LOCATION, PART NO. It is divided into sections for WHEEL FRONT (Cont.), WHEEL REAR, and PINION, with various sub-sections for different axle types and models.

APPLICATIONS TRAILER, TAG & PUSHER AXLES FRONT AXLES DRIVE AXLES PINION SEALS CONMET® LIGHT TRUCK

• See page 256.

For all other in-text symbols, see page 6.

IHC LIGHT TRUCK METRO, 1/2 Thru 1 1/2 TON MODELS -- (Cont.)

MFG./YEAR	MODEL & LOCATION	PART NO.
PINION (Cont.)		
1975-1957	RA35 (15,000 lb. IHC) & RA39 (17,000 lb. IHC) Axles:	
	Seal (3.486" O.D.)	23755
	(Speedi-Sleeve) (3.486" O.D.)	99237
	Seal (4.504" O.D.)	23751
	(Speedi-Sleeve) (4.504" O.D.)	99237
	Bearing (Front)	55175-C/BR55437
	Bearing (Pilot)	MU5206UM26
	Bearing (Rear)	55175-C/BR55437
1975-1957	RA25 (13,500 lb. IHC) Axle From Axle Ser. 206925:	
	Seal	23755
	(Speedi-Sleeve)	99237
	Bearing (Front)	HM903249-A/HM903210
	Bearing (Pilot)	MU5205UM26
	Bearing (Rear)	HM903249-A/HM903210
1975-1957	RA25 Thru Ser. 206924, RA26 (13,500 lb. IHC), RA30 & RA31 (15,000 lb. IHC) Axles:	
	Seal	23755
	(Speedi-Sleeve)	99237
	Bearing (Front)	BR53177/BR53375
	Bearing (Pilot)	MU1307-UM
	Bearing (Rear)	BR53177/BR53375
1975-1957	RA126, RA127, RA128, RA727 & RA728 (Eaton 13802) Axles:	
	Seal (3.194" O.D.)	22425
	(Speedi-Sleeve) (3.194" O.D.)	99225
	Seal (4.068" O.D.)	22653
	(Speedi-Sleeve) (4.068" O.D.)	99225
	Bearing (Front)	HM903249/HM903210
	Bearing (Pilot)	MU1305TM17
	Bearing (Rear)	HM903249/HM903210
1975-1956	RA10, RA11 (4,500 lb. IHC), RA15 (6,000 lb. IHC) & RA20 (7,000 lb. IHC) Axles:	
	Seal (3.001" O.D.)	19969
	(Speedi-Sleeve) (3.001" O.D.)	99199
	Seal (3.376" O.D.)	20136
	(Speedi-Sleeve) (3.376" O.D.)	99199
	Bearing (Front)	BR27881/BR27820
	Bearing (Pilot)	MUB5204-TM
	Bearing (Rear)	BR27881/BR27820
1971-1957	RA16 & RA17 (Spicer 60) Axles:	
	Seal	18888
	(Speedi-Sleeve)	99187
	Bearing (Front)	HM88542/HM88510
	Bearing (Rear)	HM803146/HM803110
1966-1957	RA125, RA130 & RA131 (Eaton 13600) Axles:	
	Seal	23755
	(Speedi-Sleeve)	99237

MFG./YEAR	MODEL & LOCATION	PART NO.
PINION (Cont.)		
1966-1957	RA136 & RA149 (Eaton 16802) Axles:	
	Seal (3.486" O.D.)	23755
	(Speedi-Sleeve) (3.486" O.D.)	99237
	Seal (4.068" O.D.)	23857
	(Speedi-Sleeve) (4.068" O.D.)	99237
	Bearing (Front)	HM903249/HM903210
	Bearing (Pilot)	MUS1307TM1
	Bearing (Rear)	HM903249/HM903210
1965-1962	RA13 (Spicer 27) Axle:	
	Seal	15788
	(Speedi-Sleeve)	99155
	Bearing (Front)	BR02872/BR02820
	Bearing (Rear)	HM88649/HM88610
1965-1959	RA2 & RA21 (Spicer 23) Axles:	
	Seal	15788
	(Speedi-Sleeve)	99155
	Bearing (Front)	BR02872/BR02820
	Bearing (Rear)	BR31594/BR31520
1965-1959	RA12 (Spicer 27) Axle:	
	Seal	15788
	(Speedi-Sleeve)	99155
	Bearing (Front)	M86649/M86610
	Bearing (Rear)	BR02872/BR02820
1965-1957	RA10 & RA11 (4,500 lb. IHC) Axles:	
	Seal	19969
	(Speedi-Sleeve)	99199
	Seal (Felt)	573
	Bearing (Front)	BR27881/BR27820
	Bearing (Pilot)	MUB5204-TM
	Bearing (Rear)	BR27881/BR27820

IHC LIGHT TRUCK PICKUP, TRAVELALL, M.H.C., 1/2 Thru 1 1/2 TON MODELS

MFG./YEAR	MODEL & LOCATION	PART NO.
WHEEL FRONT		
1980-1976	1650 Ser. w/FA73 Axle:	
	Bearing (Outer)	BR25877/BR25820

MFG./YEAR	MODEL & LOCATION	PART NO.
WHEEL FRONT (Cont.)		
1976-1974	100 & 150 w/FA5 (3,200 lb. IHC) Axle:	
	Seal	19834
	Bearing (Inner)	BR17
	(Set Components)	L68149/L68111
	Bearing (Outer)	BR16
	(Set Components)	LM12749/LM12711
		(Continued)

• See page 256.

For all other in-text symbols, see page 6.

**(Cont.) -- IHC LIGHT TRUCK PICKUP, TRAVELALL, M.H.C., 1/2 Thru 1
1/2 TON MODELS**

MFG./YEAR	MODEL & LOCATION	PART NO.	MFG./YEAR	MODEL & LOCATION	PART NO.
WHEEL FRONT (Cont.)			WHEEL FRONT (Cont.)		
1976-1974	200 w/FA6 (3,500 lb. IHC), FA7 (4,000 lb. IHC) Axles:		1973-1956	FA10 (3,200 lb. IHC) Axle:	
	Seal	22468		Seal	18149
	Bearing (Inner)	BR26884/BR26823		Bearing (Inner)	BR14130/BR14274
	Bearing (Outer)	BR15100/BR15245		Bearing (Outer)	BR12580/BR12520
1976-1974	100 & 150 w/FA62 (Spicer 44) Axle:		1973-1956	FA1 (2,500 lb. IHC) Axle w/12" Brks.:	
	Seal	23300		Seal	18050
	Bearing (Inner)	BR50		Bearing (Inner)	BR5
	(Set Components)	LM102949/LM102910		(Set Components)	LM48548/LM48510
	Bearing (Outer)	BR35		Bearing (Outer)	BR3
	(Set Components)	LM501349/LM501310		(Set Components)	M12649/M12610
1976-1974	200 w/FA63 (Spicer 44) Axle:		1973-1956	FA1 (2,500 lb. IHC) Axle w/11" Brks.:	
	Seal	24875		Seal	18149
	Bearing (Inner)	BR18690/BR18620		Bearing (Inner)	BR14130/BR14274
	Bearing (Outer)	BR50		Bearing (Outer)	BR12580/BR12520
	(Set Components)	LM102949/LM102910		1973-1956	FA8, FA9 (2,500 lb. IHC) Axles:
1976-1961	FA28 (4,000 lb. IHC) & FA48 (4,700 lb. IHC) Axles w/1.562" Spindle Dia.:			Seal	18050
	Seal (Felt)	515		Bearing (Inner)	BR5
	Bearing (Inner)	BR26881/BR26823		(Set Components)	LM48548/LM48510
	Bearing (Outer)	BR1779/BR1729		Bearing (Outer)	BR3
	1976-1961	FA28 (4,000 lb. IHC) & FA48 (4,700 lb. IHC) Axles w/1.686" Spindle Dia.:		(Set Components)	M12649/M12610
	Seal	22371		1970-1956	FA15 (2,800 lb. IHC) Axle:
	Bearing (Inner)	BR26884/BR26823		Seal	22468
	Bearing (Outer)	BR1779/BR1729		Bearing	[2] BR18685/BR18620
	1976-1961	FA52 (Spicer 70) Axle:		1960-1959	B140 w/FA51 (Spicer 70) Axle:
	Seal	27470		Seal	28275
	Bearing (Inner)	SET407		Bearing (Inner)	BR469/453-X
	(Set Components)	BR28682/BR28622		Bearing (Outer)	BR3780/BR3720
	Bearing (Outer)	LM104949/JLM104910		1960-1957	A150 & B150 w/FA30 (3,500 lb. IHC) Axle:
	1973-1969	FA12 (3,800 lb. IHC) Axle w/1.562" Spindle Dia.:			Seal (Felt)
	Seal	22468			515
	Bearing (Inner)	BR26881/BR26823			Bearing (Inner)
	Bearing (Outer)	BR1779/BR1729			BR26881/BR26823
	1973-1969	FA12 (3,800 lb. IHC) Axle w/1.686" Spindle Dia.:			Bearing (Outer)
	Seal	22468			BR1779/BR1729
	Bearing (Inner)	BR26881/BR26823			1960-1957
	Bearing (Outer)	BR1779/BR1729			A140 & B140 w/FA50 (5,000 lb. IHC) Axle:
	1973-1969	FA12 (3,800 lb. IHC) Axle w/1.686" Spindle Dia.:			Bearing (Inner)
	Seal	22468			BR33275/BR33472
	Bearing (Inner)	BR26884/BR26823			Bearing (Outer)
	Bearing (Outer)	BR1779/BR1729			399-A/394-A
	1973-1969	FA12 (3,800 lb. IHC) Axle w/1.686" Spindle Dia.:			AXLE SHAFT
	Seal	22468			1976-1957
	Bearing (Inner)	BR26884/BR26823			FA15, FA16, FA17 (2,800 lb. IHC), FA18, FA25 (3,500 lb. IHC), FA45, FA46 (3,000 lb. IHC), FA62 & FA63 (Spicer 44) Axles:
	Bearing (Outer)	BR1779/BR1729			Seal
	1973-1963	1110 w/FA46 (3,000 lb. IHC) Axle:			13165
	Seal	24904			1960-1957
	Bearing (Inner)	BR37			FA50 (5,000 lb. IHC) & FA51 (6,000 lb. IHC) Axles:
	(Set Components)	LM603049/LM603011			Seal
	Bearing (Outer)	BR35			16816
	(Set Components)	LM501349/LM501310			SPINDLE HUB
	1973-1963	FA16, FA17 (2,800 lb. IHC) Axles:			1976-1974
	Seal	24904			FA62 & FA63 (Spicer 44) Axles:
	Bearing (Inner)	BR37			Seal (Inner)
	(Set Components)	LM603049/LM603011			19992
	Bearing (Outer)	BR35			Seal (Outer)
	(Set Components)	LM501349/LM501310			711818
	1973-1961	1210 w/FA45 (3,000 lb. IHC) Axle:			Bearing Assembly
	Seal	22468			B2110
	Bearing	[2] BR18690/BR18620			Seal & Bearing Kit
	1973-1961	FA18, FA25 (3,500 lb. IHC) Axles:			BK2
	Seal	22468			1975-1973
	Bearing	[2] BR18690/BR18620			FA46 Exc. (3,000 lb. IHC) Axle:
					Seal (Inner)
					711818
					Seal (Outer)
					22311
					Bearing Assembly
					B2110
					1973-1971
					FA45 & FA46 (3,000 lb. IHC) Axles:
					Seal
					19992
					(Continued)

A P P L I C A T I O N S
TRAILER, TAG & PUSH AXLES
FRONT AXLES
DRIVE AXLES
PINION SEALS
CONMET®
LIGHT TRUCK

IHC LIGHT TRUCK PICKUP, TRAVELALL, M.H.C., 1/2 Thru 1 1/2 TON MODELS -- (Cont.)

MFG./YEAR	MODEL & LOCATION	PART NO.	MFG./YEAR	MODEL & LOCATION	PART NO.
WHEEL REAR			PINION		
1976-1972	RA18 & RA28 (Spicer 44) Axles:		FRONT AXLE		
	Seal (Inner)	15142	1976-1972	FA52 (Spicer 70) Axle:	
	Seal (Outer)	18731		Seal	18891
	Bearing	BR10		(Speedi-Sleeve)	99187
1976-1971	RA83 & RA84 (Spicer 60-2) Axles:			Bearing (Front)	HM807040/HM807010
	Seal (Inner)	15142		Bearing (Rear)	HM88542/HM88510
	Seal (Outer)	18731	1976-1956	FA15, FA16, FA17 (2,800 lb. IHC), FA18, FA25 (3,500 lb. IHC), FA45, FA46 (3,000 lb. IHC), FA62 & FA63 (Spicer 44) Axles:	
	Bearing	BR10		Seal	15788
1976-1969	RA63 (Spicer 70) Axle:			(Speedi-Sleeve)	99155
	Seal	33073		Bearing (Front)	BR31594/BR31520
	Bearing (Inner)	BR28995/BR28920		Bearing (Rear)	BR02872/BR02820
	Bearing (Outer)	LM104949/JLM104910	1971-1961	FA52 (Spicer 70) Axle:	
1976-1957	RA20 (7,000 lb. IHC) & RA120 (Eaton 1250) Axles:			Seal	18888
	Seal (Inner)	33136		(Speedi-Sleeve)	99187
	Bearing (Inner)	BR3982/BR3920		Bearing (Front)	HM807040/HM807010
	Bearing (Outer)	BR377/BR374		Bearing (Rear)	HM88542/HM88510
1976-1957	RA25, RA26 (13,500 lb. IHC), RA125 (Eaton 13600), RA126 (Eaton 13802) & RA184 (Eaton 15201) Axles:		1960-1957	FA50 (5,000 lb. IHC) & FA51 (6,000 lb. IHC) Axles:	
	Seal (Inner)	33136		Seal	19969
	Bearing (Inner)	BR3984/BR3920		(Speedi-Sleeve)	99199
	Bearing (Outer)	BR29585/BR29520		Seal (Felt)	573
1976-1956	RA10, RA11 (4,500 lb. IHC), RA16 & RA17 (Spicer 60) Axles Exc. Dual Rr. Whls.:			Bearing (Front)	BR27881/BR27820
	Seal (Inner)	26921		Bearing (Pilot)	MUB5204-TM
	Bearing (Inner)	BR28584/BR28521		Bearing (Rear)	BR27881/BR27820
	Bearing (Outer)	BR25584/BR25521	REAR AXLE		
1976-1956	RA10, RA11 (4,500 lb. IHC), RA16 & RA17 (Spicer 60) Axles w/Dual Rr. Whls.:		1976-1972	RA83 & RA84 (Spicer 60-2) Axles:	
	Seal (Inner)	33073		Seal	18891
	Bearing (Inner)	BR28584/BR28521		(Speedi-Sleeve)	99187
	Bearing (Outer)	BR25584/BR25521		Bearing (Front)	HM88542/HM88510
1976-1956	RA15 (6,000 lb. IHC) Axle Exc. 8 Bolt Whl.:			Bearing (Rear)	HM803146/HM803110
	Seal (Inner)	33136	1976-1969	RA63 (Spicer 70) Axle:	
	Bearing (Inner)	BR395/394-A		Seal	18891
	Bearing (Outer)	BR377/BR374		(Speedi-Sleeve)	99187
1975-1956	RA15 (6,000 lb. IHC) Axle w/8 Bolt Whl.:			Bearing (Front)	HM88542/HM88510
	Seal	33073		Bearing (Rear)	HM807040/HM807010
	Bearing (Inner)	BR28995/BR28920	1976-1964	RA18 & RA28 (Spicer 44) Axles:	
	Bearing (Outer)	LM104949/JLM104910		Seal	15788
1971-1964	RA18 & RA28 (Spicer 44) Axles:			(Speedi-Sleeve)	99155
	Seal (Inner)	15142		Bearing (Front)	BR02872/BR02820
	Seal (Outer)	18731		Bearing (Rear)	BR31594/BR31520
	Bearing	BR7	1976-1959	RA126 (Eaton 13802) & RA184 (Eaton 15201) Axles:	
	(Set Components)	M201047-S/M201011		Seal (3.194" O.D.)	22425
1970-1966	RA53 & RA54 (Spicer 60-2) Axles:			(Speedi-Sleeve) (3.194" O.D.)	99225
	Seal (Inner)	15142		Seal (4.068" O.D.)	22653
	Seal (Outer)	18545		(Speedi-Sleeve) (4.068" O.D.)	99225
	Bearing	BR7		Bearing (Front)	HM903249/HM903210
	(Set Components)	M201047-S/M201011		Bearing (Pilot)	MU1305TM17
1968-1956	RA1 & RA3 (Spicer 30) Axles:			Bearing (Rear)	HM903249/HM903210
	Seal (Inner)	15649	1976-1957	RA25 (13,500 lb. IHC) Axle From Axle Ser. 206925:	
	Seal (Outer)	20554		Seal	23755
	Bearing	3382-T/BR3320		(Speedi-Sleeve)	99237
1968-1956	RA5 (3,200 lb. IHC) & RA6 (2,000 lb. IHC) Axles:			Bearing (Front)	HM903249-A/HM903210
	Seal (Inner)	15677		Bearing (Pilot)	MU5205UM26
	Bearing	3382-T/BR3320		Bearing (Rear)	HM903249-A/HM903210

(Continued)

• See page 256.

For all other in-text symbols, see page 6.

**(Cont.) -- IHC LIGHT TRUCK PICKUP, TRAVELALL, M.H.C., 1/2 Thru 1
1/2 TON MODELS**

MFG./YEAR	MODEL & LOCATION	PART NO.	MFG./YEAR	MODEL & LOCATION	PART NO.
PINION (Cont.)			PINION (Cont.)		
REAR AXLE (Cont.)			REAR AXLE (Cont.)		
1976-1957	RA25 (13,500 lb. IHC) Axle Thru Axle Ser. 206924:		1968-1956	RA1 & RA3 (Spicer 30) Axles:	
	Seal23755			Seal15788	
	(Speedi-Sleeve)99237			(Speedi-Sleeve)99155	
	Bearing (Front) BR53177/BR53375			Bearing (Front) BR02872/BR02820	
	Bearing (Pilot) MU1307-UM			Bearing (Rear) BR31594/BR31520	
	Bearing (Rear) BR53177/BR53375		1965-1957	RA120 (Eaton 1250) Axle:	
1976-1956	RA5 (3,200 lb. IHC), RA6 (2,000 lb. IHC), RA10, RA11 (4,500 lb. IHC), RA15 (6,000 lb. IHC) & RA20 (7,000 lb. IHC) Axles:			Seal20098	
	Seal (3.001" O.D.)19969			(Speedi-Sleeve)99199	
	(Speedi-Sleeve) (3.001" O.D.)99199			Bearing (Front) BR53178/BR53375	
	Seal (3.376" O.D.)20136			Bearing (Pilot) MU1305TM17	
	(Speedi-Sleeve) (3.376" O.D.)99199			Bearing (Rear) BR53178/BR53375	
	Bearing (Front) BR27881/BR27820		1960-1957	RA26 (13,500 lb. IHC) Axle:	
	Bearing (Pilot) MUB5204-TM			Seal23755	
	Bearing (Rear) BR27881/BR27820			(Speedi-Sleeve)99237	
1971-1965	RA16, RA17 (Spicer 60), RA53, RA54, RA83 & RA84 (Spicer 60-2) Axles:			Bearing (Front) BR53177/BR53375	
	Seal18888			Bearing (Pilot) MU1307-UM	
	(Speedi-Sleeve)99187			Bearing (Rear) BR53177/BR53375	
	Bearing (Front) HM88542/HM88510		1960-1957	RA125 (Eaton 13600) Axle:	
	Bearing (Rear) HM803146/HM803110			Seal23755	
				(Speedi-Sleeve)99237	

INFINITI TRUCK FX35, FX45, QX4, QX56

WHEEL FRONT			PINION		
2003-1997 QX4:			FRONT		
	Seal22230		2002-1997 QX4:		
	Bearing (Inner) BR37			Seal16144	
	(Set Components) LM603049/LM603011			Bearing (Front) BR32306	
	Bearing (Outer) LM300849/LM300811			Bearing (Rear) BR32307	
AXLE SHAFT			REAR		
2003-1997 QX4:			2001-2000 QX4:		
	Seal (L.H.)550231			Seal16564	
	Seal (R.H.)19689			(Use) +16468	
WHEEL REAR				Bearing (Front) BR32306	
2007-2003 FX35 & FX45:				Bearing (Rear) BR32308	
	Sealed Bearing w/Housing GRW273		1999-1997 QX4:		
2003-1997	QX4:			Seal16564	
	Seal (Inner)14782			(Use) +16468	
	Seal (Outer)22120			Bearing (Front) BR32306	
	Bearing GRW190				

**ISUZU TRUCK AMIGO, ASCENDER, AXIOM, HOMBRE, OASIS, PICKUP,
RODEO, TROOPER, TROOPER II, VEHICROSS**

WHEEL FRONT (2 W/D)			WHEEL FRONT (2 W/D) (Cont.)		
2006-2003 Ascender:			2002 Axiom:		
	Hub Assembly ✧ BR930397			Seal23278	
	(Superseded by:) BR930470			Bearing (Inner) 32009-XJA	
2004-2003	Axiom w/ABS:			Bearing (Outer) 32008-X	
	Hub Assembly BR930391		2001-1998	Rodeo:	
2004-2002	Rodeo:			Seal23278	
	Hub Assembly BR930391			Bearing (Inner) 32009-X	
				Bearing (Outer) 32008-X	

(Continued)

APPLI-CATIONS

TRAILER, TAG & PUSH-ER AXLES

FRONT AXLES

DRIVE AXLES

PINION SEALS

CONMET®

LIGHT TRUCK

APPLICATIONS
 TRAILER, TAG & PUSH AXLES
 FRONT AXLES
 DRIVE AXLES
 PINION SEALS
 CONMET®
 LIGHT TRUCK

ISUZU TRUCK AMIGO, ASCENDER, AXIOM, HOMBRE, OASIS, PICKUP, RODEO, TROOPER, TROOPER II, VEHICROSS -- (Cont.)

MFG./YEAR	MODEL & LOCATION	PART NO.	MFG./YEAR	MODEL & LOCATION	PART NO.
WHEEL FRONT (2 W/D) (Cont.)			WHEEL FRONT (4 W/D) (Cont.)		
2000-1998	Amigo:		1986-1984	Trooper II Thru 10/86:	
	Seal	23278		Seal	21064
	Bearing (Inner)	32009-X		Bearing (Inner)	32008-X
	Bearing (Outer)	32008-X		Bearing (Outer)	BR32007
2000-1996	Hombre:		AXLE SHAFT		
	Seal	19784	1995-1993	Rodeo:	
	Bearing (Inner)	BR6		Seal (Inner)	20875
	(Set Components)	LM67048/LM67010	1994-1992	Trooper:	
	Bearing (Outer)	BR34		Seal	12187
	(Set Components)	LM12748/LM12710		Bearing	6006-RSNRJ
1997-1991	Rodeo:		1991-1987	Trooper & Trooper II From 7/87:	
	Seal	23278		Seal (Inner)	12187
	Bearing (Inner)	32009-XJA		Seal (Dust)	23880
	Bearing (Outer)	32008-X		Bearing (Inner)	6006-RSNRJ
1995-1988	Pickup:		1989-1988	Pickup:	
	Seal	19628		Bearing	6006-RSNRJ
	Bearing (Inner)	BR5	1987-1984	Trooper II Thru 6/87:	
	(Set Components)	LM48548/LM48510		Seal (Inner)	10983
	Bearing (Outer)	BR3		Seal (Dust)	22005
	(Set Components)	M12649/M12610	1987-1984	Pickup:	
1994-1989	Amigo:			Seal	10983
	Seal	23278		Seal (Dust)	22005
	Bearing (Inner)	32009-XJA	SPINDLE HUB		
	Bearing (Outer)	32008-X	1989-1986	Trooper II From 11/86:	
1987-1981	Pickup:			Seal	20448
	Seal	18962		Bearing	HK3016
	Bearing (Inner)	BR32206	1987-1984	Pickup:	
	Bearing (Outer)	BR32304		Seal	18959
WHEEL FRONT (4 W/D)				Bearing	HK2816
2006-2003	Ascender:		1986-1984	Trooper II Thru 10/86:	
	Hub Assembly	◇ BR930397		Seal	18959
	(Superseded by)	BR930470		Bearing	HK2816
2004-2003	Axiom:		WHEEL FRONT		
	Hub Assembly	BR930390	1999-1996	Oasis:	
2004-2002	Rodeo:			Bearing Assembly	FW184
	Hub Assembly	BR930390	WHEEL REAR		
2002	Axiom:		2007-2003	Ascender:	
	Seal	23278		Seal	16146
	Bearing (Inner)	32009-XJA		Bearing	DK59047
	Bearing (Outer)	32008-X		(Axle Repair Brg. Assy.)	• R59047
2002-1986	Trooper & Trooper II From 11/86:		2004-2002	Axiom:	
	Seal	23278		Seal	18731
	Bearing (Inner)	32009-XJA		Sealed Bearing w/Lock Ring	GRW131-R
	Bearing (Outer)	32008-X		Bearing Kit	WKH131
2001-1998	Amigo, Rodeo & Vehicross:		2004-1993	Rodeo w/V6 Eng.:	
	Seal	23278		Seal	18731
	Bearing (Inner)	32009-X		Sealed Bearing w/Lock Ring	GRW131-R
	Bearing (Outer)	32008-X		Bearing Kit	WKH131
2000-1998	Hombre:		2002-1992	Trooper:	
	Hub Assembly	BR930097		Seal (Inner)	20440
1997-1991	Rodeo:			Seal (Outer)	18671
	Seal	23278		Sealed Bearing	GRW155
	Bearing (Inner)	32009-XJA	2001-1999	Vehicross:	
	Bearing (Outer)	32008-X		Seal (Outer)	18671
1995-1988	Amigo & Pickup:			Seal (Inner)	20440
	Seal	23278		Sealed Bearing	GRW155
	Bearing (Inner)	32009-XJA	2000-1998	Amigo:	
	Bearing (Outer)	32008-X		Seal	18731
1987-1984	Pickup:			Sealed Bearing w/Lock Ring	GRW131-R
	Seal	21064		Bearing Kit	WKH131
	Bearing (Inner)	32008-X			(Continued)
	Bearing (Outer)	BR32007			

• See page 256.

For all other in-text symbols, see page 6.

**(Cont.) -- ISUZU TRUCK AMIGO, ASCENDER, AXIOM, HOMBRE, OASIS,
PICKUP, RODEO, TROOPER, TROOPER II, VEHICROSS**

MFG./YEAR	MODEL & LOCATION	PART NO.	MFG./YEAR	MODEL & LOCATION	PART NO.
WHEEL REAR (Cont.)			PINION (Cont.)		
2000-1996	Hombre w/Axle Code "C":		FRONT AXLE (Cont.)		
	Seal	14002	1987	Trooper II From 7/87:	
	Bearing	R1563-TAV		Seal	15790
2000-1996	Hombre w/Axle Code "K":			(Speedi-Sleeve)	99156
	Seal	13992		Bearing (Front)	BR32307
	Bearing	R1563-TAV		Bearing (Rear)	BR30306
1997-1996	Oasis:		1987-1981	Pickup; Trooper II Thru 6/87:	
	Hub Assembly	BR930178		Seal	13878
1997-1993	Rodeo w/o V6 Eng.:			(Speedi-Sleeve)	99138
	Seal	14002		Bearing (Front)	BR30305
	Bearing	R1563-TAV		Bearing (Rear)	BR02475/BR02420
1995-1990	Pickup w/2.6L Eng. From 9/90:		REAR AXLE		
	Seal (Inner)	15844	2004-2002	Axiom:	
	Seal (Outer)	20440		Bearing (Inner)	BR52
	Sealed Bearing w/Lock Ring	GRW155-R		(Set Components)	M88048/M88010
1995-1988	Amigo & Pickup w/2.3L Eng.:			Bearing (Outer)	M802048/011
	Seal (Inner)	13445	2004-1999	Rodeo & Amigo:	
	Seal (Outer)	18671		Bearing (Front)	BR52
	Bearing	BR30208		(Set Components)	M88048/M88010
1994-1989	Amigo w/2.6L Eng.:			Bearing (Rear)	M802048/011
	Seal (Inner)	20440	2001-1999	Vehicross:	
	Seal (Outer)	18671		Seal	17808
	Sealed Bearing w/Lock Ring	GRW155-R		(Speedi-Sleeve)	99177
1992-1991	Rodeo:			Bearing (Front)	323/32-C
	Seal	14002	2000-1999	Trooper:	
	Bearing	R1563-TAV		Seal	17808
1991-1987	Trooper & Trooper II From 7/87:			(Speedi-Sleeve)	99177
	Seal (Inner)	20440		Bearing	HM803146/HM803110
	Seal (Outer)	18671	1998-1996	Hombre:	
	Sealed Bearing w/Lock Ring	GRW155-R		Bearing (Inner)	HM89249/HM89210
1990-1988	Pickup w/2.6L Eng. Thru 8/90:			Bearing (Outer)	M86649/M86610
	Seal (Inner)	20440	1998-1993	Rodeo w/Dana Axle:	
	Seal (Outer)	18671		Seal	15791
	Sealed Bearing w/Lock Ring	GRW155-R		(Speedi-Sleeve)	99155
1987-1984	Trooper II Thru 6/87:			Bearing (Front)	BR02872/BR02820
	Seal (Inner)	13445		Bearing (Rear)	HM88649/HM88610
	Seal (Outer)	18873	1995-1991	Rodeo Exc. Dana Axle:	
	Bearing	BR30208		Seal	14755
1987-1981	Pickup:			(Speedi-Sleeve)	99147
	Seal (Inner)	13445		Bearing (Front)	M86649/M86610
	Seal (Outer)	18873		Bearing (Rear)	HM89249/HM89210
	Bearing	BR30208	1995-1990	Pickup w/2.3L Eng. From 9/90:	
PINION				Seal	15790
FRONT AXLE				(Speedi-Sleeve)	99156
2004-2002	Axiom:			Bearing (Front)	BR30306
	Seal	17296		Bearing (Rear)	BR32307
	Bearing (Inner)	BR30306	1995-1988	Pickup, Trooper & Trooper II w/2.6L Eng.:	
	Bearing (Outer)	BR32307		Seal	17808
2004-1999	Rodeo, Amigo & Vehicross:			(Speedi-Sleeve)	99177
	Seal	17296		Bearing (Front)	323/32-C
	Bearing (Front)	BR30306	1994-1989	Amigo Exc. 2.3L Eng.:	
	Bearing (Rear)	BR32307		Seal	17808
2000-1988	Exc. Hombre, Amigo, Vehicross & Rodeo From '89:			(Speedi-Sleeve)	99177
	Seal	16021		Bearing (Front)	323/32-C
	Bearing (Front)	BR32307	1993-1989	Amigo w/2.3L Eng.:	
	Bearing (Rear)	BR30306		Seal	15790
1999-1998	Hombre:			(Speedi-Sleeve)	99156
	Bearing (Outer)	M86649/M86610		Bearing (Front)	BR30306
				Bearing (Rear)	BR32307
					(Continued)

APPLI-CATIONS

TRAILER, TAG & PUSHER AXLES

FRONT AXLES

DRIVE AXLES

PINION SEALS

CONMET®

LIGHT TRUCK

APPLICATIONS
 TRAILER, TAG & PUSHER AXLES
 FRONT AXLES
 DRIVE AXLES
 PINION SEALS
 CONMET®
 LIGHT TRUCK

ISUZU TRUCK AMIGO, ASCENDER, AXIOM, HOMBRE, OASIS, PICKUP, RODEO, TROOPER, TROOPER II, VEHICROSS -- (Cont.)

MFG./YEAR	MODEL & LOCATION	PART NO.	MFG./YEAR	MODEL & LOCATION	PART NO.
PINION (Cont.)			PINION (Cont.)		
REAR AXLE (Cont.)			REAR AXLE (Cont.)		
1990-1988 Pickup w/2.3L Gas Eng. Thru 8/90:			1982-1981 Pickup:		
	Seal	15790		Seal	15863
	(Speedi-Sleeve)	99156		(Speedi-Sleeve)	99157
	Bearing (Front)	BR30306		Bearing (Front)	BR30306
	Bearing (Rear)	BR32307		Bearing (Rear)	BR32307
1987-1983 Pickup; Trooper II Thru 6/87:					
	Seal	15790			
	(Speedi-Sleeve)	99156			
	Bearing (Front)	BR30306			
	Bearing (Rear)	BR32307			

ISUZU TRUCK EVR, FSR, FTR, FVR, NNR, NRR

WHEEL FRONT			WHEEL REAR (Cont.)		
1994-1988 FSR:			1994-1987 EVR & FVR:		
	Seal	29520		Seal (Inner)	46060
1994-1987 FTR:				Seal (Outer)	30771
	Seal	33460	PINION		
	Bearing (Inner)	SET412	1994-1988 R065 & R077 Axles:		
	(Set Components)	HM212047/HM212011		Bearing (Front)	BR30309
1994-1987 EVR & FVR:			1994-1987 R105 Axle:		
	Seal	47210		Bearing (Front)	SET401
WHEEL REAR				(Set Components)	BR580/BR572
1994-1990 FSR & NNR:					
	Seal (Inner)	37408			
	Seal (Outer)	22284			
	Bearing (Inner)	BR32215			
	Bearing (Outer)	BR32213			
1994-1987 FTR:					
	Bearing (Outer)	BR32215			

IVECO TRUCK

WHEEL FRONT			WHEEL REAR (Cont.)		
1991-1982 All:			1984-1982 All:		
	Seal (Inner)	29540		Bearing	[2] 32014-X
	Bearing (Inner)	BR30309	PINION		
	Bearing (Outer)	BR30307	1991-1990 Rockwell Std. H140E:		
WHEEL REAR				Seal	23710
1991-1990 2316:				(Speedi-Sleeve)	99237
	Bearing (Outer)	BR3984/BR3920		Bearing (Front)	55176-C/BR55443
1991-1986 Z100, Z110, 110, 120TA, Z220T, Z220, 220T, 220, Z230T, 230T, 1514, 1514AS, 1814 & 1816:				Bearing (Pilot)	RU1570-UM
	Bearing	[2] BR33113		Bearing (Rear)	55187-C/BR55443
1989 1214 w/Auto Trans.:			1991-1983 Axles 4516, 4516HD, 4519 & 4519HD:		
	Bearing	[2] BR33113		Seal	19665
1989 1214 w/Man. Trans.:				(Speedi-Sleeve)	99196
	Bearing	[2] 32014-X		Bearing (Front)	BR32208
1989-1986 Z340T, 335T, 340T, 435T & 450T:				Bearing (Rear)	BR32308
	Bearing (Inner)	SET425			
	(Set Components)	BR567/BR563			
	Bearing (Outer)	BR3984/BR3920			
1985 From Chas. No. 3677:					
	Bearing	[2] BR33113			
1985 Thru Chas. No. 3676:					
	Bearing	[2] 32014-X			

• See page 256.

For all other in-text symbols, see page 6.

LADA TRUCKS (CANADIAN MODELS) NIVA

MFG./YEAR	MODEL & LOCATION	PART NO.	MFG./YEAR	MODEL & LOCATION	PART NO.
WHEEL FRONT					
1993-1981 All:					
	Bearing	[2] 32008-X			

LEXUS TRUCK

WHEEL FRONT	
2007-2006 RX400h:	
Sealed Bearing	FW50
2007-2006 GX470:	
Seal	31897
Sealed Bearing w/Housing	FW194
2007-1998 LX470:	
Bearing (Inner)	JLM506849/JLM506810
Bearing (Outer)	BR50
(Set Components)	LM102949/LM102910
2006-2004 RX330:	
Sealed Bearing	FW50
2005-2003 GX470:	
Seal	31897
Sealed Bearing w/Housing	FW194
2003-1999 RX300:	
Sealed Bearing	FW153
1997-1996 LX450:	
Seal	24635
Bearing (Inner)	JLM104948/JLM104910
Bearing (Outer)	BR50
(Set Components)	LM102949/LM102910

WHEEL REAR	
2007-2006 RX400h w/o A.W.D.:	
Hub Assembly (L.H.)	BR930376
Hub Assembly (R.H.)	BR930377
2007-2006 RX400h w/A.W.D.:	
Hub Assembly	BR930338
2007-2003 GX470:	
Seal	22822
Sealed Bearing (L.H.)	GRW271
Sealed Bearing (R.H.)	GRW270
2007-1998 LX470:	
Sealed Bearing	FW147
2006-2004 RX330 w/A.W.D.:	
Hub Assembly	BR930338
2006-2004 RX330 w/2 W/D:	
Hub Assembly (L.H.)	BR930376
Hub Assembly (R.H.)	BR930377

WHEEL REAR (Cont.)	
2003-1999 RX300 w/A.W.D.:	
Seal (Inner)	22033
Seal (Outer)	20429
Bearing	FW114
2003-1999 RX300 w/2 W/D:	
Sealed Bearing	GRW168
Hub Assembly	BR930370
1997-1996 LX450:	
Seal	24642
Bearing (Inner)	JLM104948/JLM104910
Bearing (Outer)	BR50
(Set Components)	LM102949/LM102910

PINION FRONT	
1997-1996 LX450:	
Seal	14766
(Speedi-Sleeve)	99147
Bearing	32307-A89
REAR	
2003 GX470:	
Bearing (Rear)	32307-A89
2002-1999 RX300:	
Seal	14934
(Speedi-Sleeve)	99147
Bearing (Front)	M86649/M86610
Bearing (Rear)	HM88649/HM88610
1997-1996 LX450:	
Seal	14766
(Speedi-Sleeve)	99147
Bearing (Front)	BR30308
Bearing (Rear)	30306-C

LINCOLN TRUCK AVIATOR

WHEEL FRONT (2 W/D)	
2005-2003 All:	
Hub Assembly	BR930456
WHEEL FRONT (A.W.D.)	
2005-2003 All:	
Hub Assembly	BR930456
AXLE SHAFT	
2005-2003 All:	
Seal (L.H.)	13757
Seal (R.H.)	17520
Bearing	R1563-TAV
(Axle Repair Brg. Assy.)	• R1563

WHEEL REAR	
2005-2003 All:	
Bearing	GRW259
Hub Assembly (Kit)	BR930259K
PINION FRONT AXLE	
2005-2003 All:	
Seal	18472
Bearing (Front)	HM88649/HM88610
Bearing (Rear)	M86649/M86610
	(Continued)

APPLICATIONS

TRAILER, TAG & PUSHER AXLES

FRONT AXLES

DRIVE AXLES

PINION SEALS

CONMET®

LIGHT TRUCK

APPLICATIONS
 TRAILER, TAG & PUSHER AXLES
 FRONT AXLES
 DRIVE AXLES
 PINION SEALS
 CONMET®
 LIGHT TRUCK

LINCOLN TRUCK AVIATOR -- (Cont.)

MFG./YEAR	MODEL & LOCATION	PART NO.	MFG./YEAR	MODEL & LOCATION	PART NO.
PINION (Cont.)					
REAR AXLE					
2005-2003 All:					
	Seal	18136			
	(Speedi-Sleeve)	99181			
	Bearing (Front)	M802048/M802011			
	Bearing (Rear)	BR52			
	(Set Components)	M88048/M88010			

LINCOLN TRUCK BLACKWOOD

WHEEL FRONT

2002 All:	
Seal	19743
Bearing (Front)	BR5
(Set Components)	LM48548/LM48510
Bearing (Rear)	BR2
(Set Components)	LM11949/LM11910

WHEEL REAR

2002 All:	
Seal	17327
Bearing	R1561-TV
(Axle Repair Brg. Assy.)	• R1561-G

PINION

REAR AXLE

2002 All:	
Seal	18024
Bearing	HM89443/HM89411

LINCOLN TRUCK MARK LT

WHEEL FRONT (4 W/D)

2007-2006 w/6 Studs From 12/5/05:	
Hub Assembly	BR930460
2006 w/6 Studs Thru 12/5/05:	
Hub Assembly	BR930455
2006 w/7 Studs:	
Hub Assembly	BR930459

WHEEL REAR

2007-2006 All:	
Seal (L.H.)	17327
Bearing	R1561-TV
(Axle Repair Brg. Assy.)	• R1561-F

PINION

REAR AXLE

2006 8.80" Ring Gear:	
Seal	18136
(Speedi-Sleeve)	99181
Bearing (Front)	M802048/M802011
Bearing (Rear)	BR52
(Set Components)	M88048/M88010

LINCOLN TRUCK NAVIGATOR

WHEEL FRONT (2 W/D)

2006-2003 All:	
Hub Assembly	BR930457
2002-1998 All:	
Seal	19743
Bearing (Inner)	BR11
(Set Components)	JL69349/JL69310
Bearing (Outer)	BR12
(Set Components)	LM12749/LM12710

WHEEL FRONT (4 W/D)

2006-2003 All:	
Hub Assembly	BR930453
2002-1999 From 11/29/99:	
Hub Assembly	BR930236
1999-1998 Thru 11/29/99:	
Hub Assembly	BR930208

WHEEL REAR

2002-1998 All:	
Seal	17327
Bearing	R1561-TV
(Axle Repair Brg. Assy.)	• R1561-G

PINION

FRONT AXLE

2006-1998 All:	
Seal	18190
Bearing (Inner)	BR52
(Set Components)	M88048/M88010
Bearing (Outer)	M802048/M802011

REAR AXLE

2006-2003 All:	
Seal	18024
Bearing	[2] NP576375/NP434567

(Continued)

• See page 256.

For all other in-text symbols, see page 6.

(Cont.) -- LINCOLN TRUCK NAVIGATOR

Table with 6 columns: MFG./YEAR, MODEL & LOCATION, PART NO., MFG./YEAR, MODEL & LOCATION, PART NO. Contains two sections: PINION (Cont.) REAR AXLE (Cont.) for years 2002-2000 and 1999-1998.

MAZDA TRUCK

Table with 3 columns: MFG./YEAR, MODEL & LOCATION, PART NO. Contains sections: WHEEL FRONT (2 W/D) for years 2007-2004, 2006-2001, 2003-1994, 1993-1992, 1991-1986, 1984-1977, 1975-1973; WHEEL FRONT (4 W/D) for years 2006-2001, 2006-2001, 2003-2001, 2000-1998, 2000-1998.

Table with 3 columns: MFG./YEAR, MODEL & LOCATION, PART NO. Contains sections: WHEEL FRONT (4 W/D) (Cont.) for years 1997-1994, 1997-1994, 1994-1991, 1993-1987; AXLE SHAFT for years 1994-1991, 1993-1987; WHEEL REAR for years 2006-2004, 2006-2001, 2003-1994, 1994-1991, 1993-1990.

APPLI-CATIONS
TRAILER, TAG & PUSHER AXLES
FRONT AXLES
DRIVE AXLES
PINION SEALS
CONMET®
LIGHT TRUCK

• See page 256.

For all other in-text symbols, see page 6.

APPLICATIONS
 TRAILER, TAG & PUSHER AXLES
 FRONT AXLES
 DRIVE AXLES
 PINION SEALS
 CONMET®
 LIGHT TRUCK

MAZDA TRUCK -- (Cont.)

MFG./YEAR MODEL & LOCATION PART NO.

WHEEL REAR (Cont.)

1989-1986 B2200 & B2600 From Chas. 6401 Thru 7101:	
Seal (Inner)	13792
Seal (Outer)	18873
Bearing	BR30208
1987-1986 B2000 From Chas. 5116 Thru Chas. 6400:	
Seal (Inner)	13954
Seal (Outer)	18873
Bearing	BR30208
1987-1986 B2000 Thru Chas. 5115:	
Seal (Inner)	21620
Seal (Outer)	18873
Bearing	BR30208
1984-1977 B1800 & B2000:	
Seal (Inner)	13954
Seal (Outer)	18970
Bearing	BR30208
1975-1974 Rotary Pick Up:	
Seal (Inner)	13954
Seal (Outer)	18970
Bearing	BR30208
1973 B1600:	
Seal (Inner)	13954
Seal (Outer)	18970
Bearing	BR30208

PINION

FRONT AXLE

2003-1994 B2300, B3000 & B4000 w/3.27, 3.73 & 4.10 Ratios:	
Seal	18480
Bearing (Front)	BR52
(Set Components)	M88048/M88010
Bearing (Rear)	M86649/M86610
1994-1991 Navajo:	
Seal	18480
Bearing	[2] M86649/M86610
1993-1986 B2600:	
Seal	15849
(Speedi-Sleeve)	99157
Bearing (Front)	BR32206
Bearing (Rear)	BR32207

PINION (Cont.)

REAR AXLE

2005-1994 B2300, B3000 & B4000:	
Seal	18190
(Speedi-Sleeve)	99181
Bearing (Front)	M802048/M802011
Bearing (Rear)	BR52
(Set Components)	M88048/M88010
2004-2001 Tribute:	
Seal	15849
(Speedi-Sleeve)	99157
Bearing (Front)	6207-J
Bearing (Rear)	M86649/M86610
1994-1991 Navajo:	
Seal	18190
(Speedi-Sleeve)	99181
Bearing (Front)	BR52
(Set Components)	M88048/M88010
Bearing (Rear)	M802048/M802011
1993-1987 B2600:	
Seal	15883
Bearing (Front)	BR30307
Bearing (Rear)	BR30306
1993-1986 B2000 & B2200:	
Seal	15849
(Speedi-Sleeve)	99157
Bearing (Front)	BR32206
Bearing (Rear)	BR32307
1984-1977 B1800 & B2000:	
Bearing (Front)	BR30306
Bearing (Rear)	BR30307

MERCURY TRUCK MARINER

WHEEL FRONT

2007-2005 All:	
Sealed Bearing	FW186
Hub Assembly (Kit)	BR930286

WHEEL REAR

2007-2005 All:	
Sealed Bearing	GRW266

• See page 256.

For all other in-text symbols, see page 6.

MERCURY TRUCK MOUNTAINEER

MFG./YEAR MODEL & LOCATION PART NO.

WHEEL FRONT (2 W/D)
2005-2002 All:
 Hub Assembly **BR930456**
2001-1997 All:
 Seal **19223**
 Bearing (Inner) **BR5**
 (Set Components) *LM48548/LM48510*
 Bearing (Outer) **BR2**
 (Set Components) *LM11949/LM11910*

WHEEL FRONT (4 W/D)
2001-1998 V6 Eng.:
 Seal **25013**
 Hub Assembly **BR930252**

WHEEL FRONT (A.W.D.)
2005-2002 All:
 Hub Assembly **BR930456**
2001-1997 V8 Eng.:
 Seal **25013**
 Hub Assembly **BR930252**

AXLE SHAFT
2005-1997 V8 Eng.:
 Seal (L.H.) **13757**
 Seal (R.H.) **17520**
 Bearing **R1563-TAV**
 (Axle Repair Brg. Assy.) • *R1563*

WHEEL REAR
2007-2002 All:
 Sealed Bearing **GRW259**
 Hub Assembly (Kit) **BR930259K**

MFG./YEAR MODEL & LOCATION PART NO.

WHEEL REAR (Cont.)
2001-1997 All:
 Seal **16044**
 Bearing **R1559-TV**
 (Axle Repair Brg. Assy.) • *R1559*

PINION
FRONT AXLE
2005-2002 All:
 Seal **18472**
 Bearing (Inner) **HM88649/HM88610**
 Bearing (Outer) **M86649/M86610**
2001-1997 All:
 Seal **18472**
 Bearing (Inner) **BR90**
 (Set Components) *HM88648/HM88610*
 Bearing (Outer) **M86649/M86610**

REAR AXLE
2006-1997 All:
 Seal **18136**
 (Speedi-Sleeve) **99181**
 Bearing (Front) **BR52**
 (Set Components) *M88048/M88010*
 Bearing (Rear) **M802048/M802011**

MITSUBISHI TRUCK

WHEEL FRONT (2 W/D)
2006 Raider w/ABS:
 Hub Assembly **BR930514**
2006 Raider w/o ABS:
 Hub Assembly **BR930515**
2006-2003 Outlander:
 Sealed Bearing **FW34**
2004-1997 Montero Sport:
 Seal **22822**
 Bearing [2] **BR50**
 (Set Components) *LM102949/LM102910*
1996-1986 Pickup:
 Seal **19605**
 Bearing (Inner) **BR5**
 (Set Components) *LM48548/LM48510*
 Bearing (Outer) **BR3**
 (Set Components) *M12649/M12610*
1985-1983 Pickup:
 Seal **22822**
 Bearing (Inner) **BR5**
 (Set Components) *LM48548/LM48510*
 Bearing (Outer) **BR3**
 (Set Components) *M12649/M12610*

WHEEL FRONT (4 W/D)
2004-2000 Montero Sport:
 Seal **22841**
 Bearing [2] **BR50**
 (Set Components) *LM102949/LM102910*

WHEEL FRONT (4 W/D) (Cont.)
2000-1984 Montero w/2.6L & 3.0L Eng. From 12/84; Montero Sport:
 Seal **22841**
 Bearing **BR50**
 (Set Components) *LM102949/LM102910*
1994-1985 Pickup w/2.6L & 3.0L Eng.:
 Seal **22841**
 Bearing [2] **BR50**
 (Set Components) *LM102949/LM102910*
1984-1983 Montero Thru 11/84:
 Seal **22822**
 Bearing [2] **BR50**
 (Set Components) *LM102949/LM102910*

AXLE SHAFT
1993-1983 Montero & Pickup:
 Seal **22035**
 Bearing **B2012**

WHEEL FRONT (A.W.D.)
2006-2003 Outlander:
 Sealed Bearing **FW34**
2004-2002 Montero Sport:
 Seal **22841**
 Bearing **BR50**
 (Set Components) *LM102949/LM102910*
 (Continued)

APPLICATIONS

TRAILER, TAG & PUSHER AXLES

FRONT AXLES

DRIVE AXLES

PINION SEALS

CONMET®

LIGHT TRUCK

• See page 256.

For all other in-text symbols, see page 6.

MITSUBISHI TRUCK -- (Cont.)

MFG./YEAR MODEL & LOCATION PART NO.

WHEEL REAR

2007-2006 Raider:		
Seal		16139
Bearing	R1559-TV	
<i>(Axle Repair Brg. Assy.)</i> • R1559		
2006-2004 Outlander w/A.W.D.:		
Bearing	GRW260	
2004-1997 Montero Sport:		
Seal (Inner)	14510	
Seal (Outer)	20012	
Sealed Bearing	FW181	
1996-1991 Montero w/3.0L Eng. From 10/91:		
Seal (Inner)	14510	
Seal (Outer)	20012	
Sealed Bearing	FW181	
1996-1990 Pickup From 12/90:		
Seal (Inner)	14510	
Seal (Outer)	19211	
Bearing	BR30208	
1991-1990 Montero Exc. Std. Body w/3.0L Eng. From 6/90 Thru 9/91:		
Seal (Inner)	14050	
Seal (Outer)	19211	
Bearing	BR30208	
1990 Pickup From 6/90 Thru 11/90:		
Seal (Inner)	14050	
Seal (Outer)	19211	
Bearing	BR30208	
1990-1989 Montero w/3.0L Eng. Thru 5/90:		
Seal (Inner)	14510	
Seal (Outer)	19211	
Bearing	GRW161	
1990-1985 Pickup Thru 5/90:		
Seal (Inner)	14510	
Seal (Outer)	19211	
Bearing	GRW161	
1989-1983 Montero w/2.6L Eng.:		
Seal (Inner)	14510	
Seal (Outer)	19211	
Bearing	GRW161	

PINION

FRONT AXLE

2003-1997 Montero Sport; Montero w/3.5L Eng.:		
Seal	17795	
<i>(Speedi-Sleeve)</i> 99177		
Bearing (Front)	HM89448	
Bearing (Rear)	M88043	
1996-1991 Montero w/3.0L Eng. w/o Man. Trans.:		
Seal	16527	
<i>(Speedi-Sleeve)</i> 99169		
Bearing (Front)	M86649/M86610	
Bearing (Rear)	HM89448/HM89410	

PINION (Cont.)

FRONT AXLE (Cont.)

1996-1990 Montero & Pickup w/3.0L Eng. & Man. Trans. From 7/90:		
Seal	17795	
<i>(Speedi-Sleeve)</i> 99177		
Bearing (Front)	M88043/M88010	
Bearing (Rear)	HM89448/HM89410	
1990-1989 Montero & Pickup w/3.0L Eng. Thru 6/90:		
Seal	17667	
<i>(Speedi-Sleeve)</i> 99177		
Bearing (Front)	M88043/M88010	
Bearing (Rear)	HM89448/HM89410	
1989-1983 Montero & Pickup w/2.6L Eng.:		
Seal	16527	
<i>(Speedi-Sleeve)</i> 99169		
Bearing (Front)	M86649/M86610	
Bearing (Rear)	HM89448/HM89410	

REAR AXLE

2006 Raider:		
Seal	18852	
<i>(Speedi-Sleeve)</i> 99189		
2002-2000 Montero:		
Seal	17667	
<i>(Speedi-Sleeve)</i> 99177		
1996-1989 Montero w/3.0L Eng.:		
Seal	17667	
<i>(Speedi-Sleeve)</i> 99177		
Bearing (Front)	M88043/M88010	
Bearing (Rear)	HM89249/HM89210	
1996-1986 Pickup w/o 3.0L Eng.:		
Seal	17667	
<i>(Speedi-Sleeve)</i> 99177		
Bearing (Front)	M88043/M88010	
Bearing (Rear)	HM89449/HM89410	
1994-1990 Pickup w/3.0L Eng.:		
Seal	17667	
<i>(Speedi-Sleeve)</i> 99177		
Bearing (Front)	M88043/M88010	
Bearing (Rear)	HM89249/HM89210	
1989-1983 Montero w/2.6L Eng.:		
Seal	17667	
<i>(Speedi-Sleeve)</i> 99177		
Bearing (Front)	M88043/M88010	
Bearing (Rear)	HM89449/HM89410	

MFG./YEAR MODEL & LOCATION PART NO.

WHEEL FRONT (2 W/D)

2004	Pathfinder Exc. Armada:	
Seal		22230
Bearing (Inner)		BR37
(Set Components)	<i>LM603049/LM603011</i>	
Bearing (Outer)		LM300849/LM300811
2004-2000	Frontier & Xterra w/2.4L Eng.:	
Seal		21247
Bearing (Inner)		BR5
(Set Components)	<i>LM48548/LM48510</i>	
Bearing (Outer)		BR3
(Set Components)	<i>M12649/M12610</i>	
2004-2000	Frontier & Xterra w/3.3L Eng.:	
Seal		22230
Bearing (Inner)		BR37
(Set Components)	<i>LM603049/LM603011</i>	
Bearing (Outer)		LM300849/LM300811
2003-1990	Pathfinder:	
Seal		22230
Bearing (Inner)		BR37
(Set Components)	<i>LM603049/LM603011</i>	
Bearing (Outer)		LM300849/LM300811
1999-1998	Frontier:	
Seal		21247
Bearing (Inner)		BR5
(Set Components)	<i>LM48548/LM48510</i>	
Bearing (Outer)		BR3
(Set Components)	<i>M12649/M12610</i>	
1997-1986	Hardbody Pickup:	
Seal		21045
Bearing (Inner)		BR5
(Set Components)	<i>LM48548/LM48510</i>	
Bearing (Outer)		BR3
(Set Components)	<i>M12649/M12610</i>	
1988-1987	Van:	
Sealed Bearing		FW126
1985-1978	620 & 720:	
Seal		21040
Bearing (Inner)		BR5
(Set Components)	<i>LM48548/LM48510</i>	
Bearing (Outer)		BR3
(Set Components)	<i>M12649/M12610</i>	
1977-1972	620:	
Seal		18877
Bearing (Inner)		BR31
Bearing (Outer)		BR30304
1972-1965	520 & 521:	
Seal		550225
Bearing (Inner)		BR30206
Bearing (Outer)		BR30304

WHEEL FRONT (4 W/D)

2004	Pathfinder Exc. Armada:	
Seal		22230
Bearing (Inner)		BR37
(Set Components)	<i>LM603049/LM603011</i>	
Bearing (Outer)		LM300849/LM300811
2004-1998	Frontier & Xterra:	
Seal		22230
Bearing (Inner)		BR37
(Set Components)	<i>LM603049/LM603011</i>	
Bearing (Outer)		LM300849/LM300811

MFG./YEAR MODEL & LOCATION PART NO.

WHEEL FRONT (4 W/D) (Cont.)

2003-1986	Hardbody Pickup & Pathfinder:	
Seal		22230
Bearing (Inner)		BR37
(Set Components)	<i>LM603049/LM603011</i>	
Bearing (Outer)		LM300849/LM300811
1986-1983	720:	
Seal (Inner)		19639
Seal (Outer)		22230
Bearing (Inner)		BR37
(Set Components)	<i>LM603049/LM603011</i>	
Bearing (Outer)		LM300849/LM300811
1982-1980	720:	
Seal (Inner)		23464
Seal (Outer)		28310
Bearing	[2] LM104949/LM104912	

AXLE SHAFT

2004-2000	Xterra:	
Seal (L.H.)		550231
Seal (Inner R.H.)		19689
Seal (Outer R.H.)		550232
2004-1998	Frontier:	
Seal (L.H. Inner)		550232
Seal (L.H. Outer)		19689
Seal (R.H.)		550231
2004-1995	Pathfinder Exc. Armada:	
Seal (L.H. Inner)		550232
Seal (L.H. Outer)		19689
Seal (R.H.)		550231
1997-1995	Pickup:	
Seal (L.H.)		19689
Seal (R.H.)		550224
1988-1986	Hardbody Pickup Exc. R180 & R200 Diff.:	
Seal		19689
1988-1986	Hardbody Pickup & Pathfinder w/R180 & R200 Diff.:	
Seal		19689

WHEEL REAR

2007-2005	Pathfinder:	
Hub Assembly		BR930605
2007-2003	Murano w/A.W.D.:	
Hub Assembly		BR930477
2007-1998	Frontier 2 W/D:	
Seal		22120
Bearing		BR30208
2006-2005	Frontier w/4 W/D:	
Seal		22120
Bearing		FW121
2004-2000	Frontier & Xterra w/4 WD & 6 Cyl. Eng.:	
Seal (Inner)		14782
Seal (Outer)		22120
Bearing		FW121
2004-2000	Frontier & Xterra w/4 WD & 4 Cyl. Eng.:	
Bearing		GRW170
2004-1996	Pathfinder:	
Seal		14782
Bearing		GRW190
2000-1996	Pathfinder w/Limited Slip Axle:	
Seal		22120
Bearing		GRW190
1999-1998	Frontier w/4 W/D:	
Seal		550231
Bearing		GRW170

(Continued)

APPLICATIONS

TRAILER, TAG & PUSHER AXLES

FRONT AXLES

DRIVE AXLES

PINION SEALS

CONMET®

LIGHT TRUCK

NISSAN TRUCK -- (Cont.)

MFG./YEAR MODEL & LOCATION PART NO.

WHEEL REAR (Cont.)

1997-1986	Hardbody Pickup w/o Dual Rr. Whls.:	
	Seal (Inner)	550231
	Seal (Outer)	19095
	Bearing	BR30208
1995	Pathfinder w/Limited Slip Axle:	
	Seal	22120
	Bearing	GRW170
1995	Pathfinder XE w/o Limited Slip Axle:	
	Seal	22120
	Bearing	BR30208
1995	Pathfinder SE w/o Limited Slip Axle:	
	Seal	22120
	Bearing	GRW170
1994-1988	Pathfinder w/Disc Brks.:	
	Seal (Outer)	22120
	Bearing	GRW170
1994-1987	Pathfinder w/o Disc Brks.:	
	Seal (Inner)	550231
	Seal (Outer)	19095
	Bearing	BR30208
1989-1987	Van:	
	Seal	13954
	Bearing	6208-RSJ
1989-1986	Hardbody Pickup w/Dual Rr. Whls.:	
	Seal (Inner)	13423
	Seal (Outer)	25430
	Bearing	[2] 32010-X
1986-1983	720 w/Dual Rr. Whls.:	
	Seal (Inner)	12810
	Seal (Outer)	25430
	Bearing	[2] 32010-X
1986-1972	620 & 720 w/o Dual Rr. Whls.:	
	Seal (Inner)	13954
	Seal (Outer)	19626
	Bearing	BR30208
1972-1965	520 & 521:	
	Seal (Inner)	13954
	Seal (Outer)	550225
	Bearing	BR30208

AXLE SHAFT

2004	Pathfinder Armada:	
	Seal	19635

PINION

FRONT AXLE

2003-1996	Pathfinder:	
	Seal	16144
	Bearing (Front)	BR32306
	Bearing (Rear)	BR32307
2002-1999	Frontier & Xterra w/3.3L Eng.:	
	Seal	13742
2002-1998	Frontier & Xterra w/2.4L Eng.:	
	Seal	13742
1997-1986	Hardbody Pickup & Pathfinder w/o V6 Eng. From 5/86:	
	Seal	13978
	(Speedi-Sleeve)	99139
	Bearing (Front)	BR32305
	Bearing (Rear)	BR32307
1996-1986	Hardbody Pickup w/V6 Eng. From 5/86:	
	Seal	15882
	Bearing (Front)	BR32306
	Bearing (Rear)	BR32307

PINION (Cont.)

FRONT AXLE (Cont.)

1995-1987	Pathfinder:	
	Seal	15882
	Bearing (Front)	BR32306
	Bearing (Rear)	BR32307
1986	Hardbody Pickup Thru 4/86:	
	Seal	15882
	Bearing (Front)	BR32306
	Bearing (Rear)	BR32307
1986-1980	720:	
	Seal	13978
	(Speedi-Sleeve)	99139
	Bearing (Ball)	6305-VSP65
	Bearing (Front)	BR32305
	Bearing (Rear)	BR32307

REAR AXLE

2001-1996	Pathfinder:	
	Seal	16564
	(Use)	+16468
	Bearing (Front)	BR32306
	Bearing (Rear)	BR32308
1995-1991	Hardbody Pickup w/H190 Diff. From 8/91:	
	Seal	17686
	Bearing (Front)	BR30306
	Bearing (Rear)	BR32307
1995-1991	Hardbody Pickup & Pathfinder w/H233 Diff.:	
	Seal	16564
	Bearing (Front)	BR32306
	Bearing (Rear)	BR32308
1992-1986	Hardbody Pickup & Pathfinder w/C200 Diff.:	
	Seal	15882
	Bearing (Front)	BR32306
	Bearing (Rear)	BR32307
1991-1986	Hardbody Pickup w/H190 Diff. Thru 7/91:	
	Seal	17782
	(Speedi-Sleeve)	99177
	Bearing (Front)	BR30306
	Bearing (Rear)	BR32307
1990-1986	Hardbody Pickup & Pathfinder w/H233 Diff.:	
	Seal	16564
	Bearing (Front)	BR32306
	Bearing (Rear)	BR32307
1989-1987	Van:	
	Seal	15882
	Bearing (Front)	32306-C
	Bearing (Rear)	BR32307
1986-1983	720 w/2 W/D Exc. Dual Rr. Whls.:	
	Seal	17782
	(Speedi-Sleeve)	99177
	Bearing (Front)	BR30306
	Bearing (Rear)	BR32307
1986-1983	720 w/2 W/D & Dual Rr. Whls.:	
	Seal	15882
	Bearing (Front)	BR32306
	Bearing (Rear)	BR32307

(Continued)

(Cont.) -- NISSAN TRUCK

MFG./YEAR	MODEL & LOCATION	PART NO.	MFG./YEAR	MODEL & LOCATION	PART NO.
PINION (Cont.)			PINION (Cont.)		
REAR AXLE (Cont.)			REAR AXLE (Cont.)		
1986-1983	720 w/4 W/D Exc. Z24 Eng.:		1982-1974	620 & 720:	
	Seal	17782		Seal	17782
	(Speedi-Sleeve)	99177		(Speedi-Sleeve)	99177
	Bearing (Front)	BR30306		Bearing (Front)	BR30306
	Bearing (Rear)	BR32307		Bearing (Rear)	BR32307
1986-1983	720 w/4 W/D & Z24 Eng.:		1973-1965	520, 521 & 620:	
	Seal	15882		Seal	13972
	Bearing (Front)	BR32306		(Speedi-Sleeve)	99139
	Bearing (Rear)	BR32307		Bearing (Front)	30305-C
				Bearing (Rear)	BR30306

OLDSMOBILE TRUCK BRAVADA

WHEEL FRONT	
2004-2002 All:	
Hub Assembly	✧ BR930397
(Superseded by:)	BR930470
2001-1997 Exc. European Model:	
Hub Assembly	BR930097
1997 European Model:	
Hub Assembly	BR930064
1996 All:	
Hub Assembly	BR930064
1994-1991 All:	
Seal	21961
Hub Assembly	BR930064
AXLE SHAFT	
2003-2002 All:	
Seal (Inner)	12587
Bearing	HK4012
2001-1997 All:	
Bearing	HK4012
1996 All:	
Seal	12494
Bearing (Outer)	B2010
1994-1991 All:	
Seal	12494
Bearing (Outer)	B2010
WHEEL REAR	
2004-2002 All:	
Seal	16146
Bearing	DK59047
(Axle Repair Brg. Assy.)	• R59047
2001-1996 All:	
Seal	14002
Bearing	DK59047
(Axle Repair Brg. Assy.)	• R59047
1994-1991 All:	
Seal	14002
Bearing	R1563-TAV
(Axle Repair Brg. Assy.)	• R1563
AXLE SHAFT	
2001 All:	
Bearing	R1563-TAV

PINION	
FRONT AXLE	
2004-2002 All:	
Bearing (Front)	BR52
(Set Components)	M88048/M88010
Bearing (Rear)	M86649/M86610
2001-1996 All:	
Seal	15306
(Speedi-Sleeve)	99152
Bearing (Front)	BR52
(Set Components)	M88048/M88010
Bearing (Rear)	M86649/M86610
1994-1991 All:	
Seal	15306
(Speedi-Sleeve)	99152
Bearing (Front)	BR52
(Set Components)	M88048/M88010
Bearing (Rear)	M86649/M86610
REAR AXLE	
2003-2002 All:	
Seal	17407
Bearing (Front)	M86649/M86610
2001-1996 7.625" Ring Gear:	
Seal	15315
(Speedi-Sleeve)	99152
Bearing (Front)	M86649/M86610
Bearing (Rear)	HM89249/HM89210
2001-1996 8.5" & 8.625" Ring Gears:	
Seal	17407
Bearing (Front)	BR52
(Set Components)	M88048/M88010
Bearing (Rear)	M802048/011
1994-1991 All:	
Seal	15315
(Speedi-Sleeve)	99152
Bearing (Front)	M86649/M86610
Bearing (Rear)	HM89249/HM89210

APPLICATIONS

TRAILER, TAG & PUSHER AXLES

FRONT AXLES

DRIVE AXLES

PINION SEALS

CONMET®

LIGHT TRUCK

• See page 256.

For all other in-text symbols, see page 6.

PLYMOUTH TRUCK ARROW PICKUP

MFG./YEAR	MODEL & LOCATION	PART NO.	MFG./YEAR	MODEL & LOCATION	PART NO.
WHEEL FRONT			WHEEL REAR (Cont.)		
1982-1979 All:			1980-1979 All:		
	Seal	19605		Seal (Inner)	14510
	Bearing (Inner)	BR5		Seal (Outer)	19211
	(Set Components)	LM48548/LM48510		Sealed Bearing	GRW161
	Bearing (Outer)	BR3	PINION		
	(Set Components)	M12649/M12610	1982-1979 All:		
WHEEL REAR				Seal	17667
1982 All:				(Speedi-Sleeve)	99177
	Seal (Inner)	14510		Bearing (Front)	M88043/M88010
	Seal (Outer)	19211		Bearing (Rear)	HM89449/HM89410
	Sealed Bearing	GRW161			
1981 All:					
	Seal (Inner)	14494			
	Seal (Outer)	19211			
	Sealed Bearing	GRW161			

PLYMOUTH TRUCK TRAILDUSTER

WHEEL FRONT (2 W/D)			WHEEL FRONT (4 W/D) (Cont.)		
1981-1978 3,600 lb. Axle:			SPINDLE HUB		
	Seal	20425	1981-1974 All:		
	Bearing (Inner)	BR11		Seal	22311
	(Set Components)	JL69349/JL69310		(V-Ring)	711818
	Bearing (Outer)	BR16		Bearing Assembly	B2110
	(Set Components)	LM12749/LM12711		Seal & Bearing Kit	BK1
1981-1974 3,000 & 3,300 lb. Axles:			WHEEL REAR		
	Seal	19500	1981-1978 9.25" Std. Ring Gear:		
	Bearing (Inner)	BR17		Seal	16044
	(Set Components)	L68149/L68111		Bearing	R1559-TV
	Bearing (Outer)	BR16		(Axle Repair Brg. Assy.)	• R1559
	(Set Components)	LM12749/LM12711	1981-1978 9.25" H.D. Ring Gear:		
WHEEL FRONT (4 W/D)				Seal	17100
1981-1978 All:				Bearing	R1561-TV
	Seal	24898		(Axle Repair Brg. Assy.)	• R1561-F
	Bearing (Inner)	LM104949/JLM104910	1981-1974 8.375" Ring Gear:		
	Bearing (Outer)	BR35		Seal	16044
	(Set Components)	LM501349/LM501310		Bearing	R1559-TV
1977-1975 All:				(Axle Repair Brg. Assy.)	• R1559
	Seal	26153	1977-1974 8.75" Ring Gear:		
	(V-Ring)	400700		Seal (Inner)	15460
	Bearing	BR25		Seal (Outer)	19000
1974 Disc Brks.:				Bearing	BR7
	Seal	26153		(Set Components)	M201047-S/M201011
	Bearing (Inner)	BR37	PINION		
	(Set Components)	LM603049/LM603011	FRONT AXLE		
	Bearing (Outer)	BR35	1981-1974 4 W/D:		
	(Set Components)	LM501349/LM501310		Seal	15788
1974 Drum Brks.:				(Speedi-Sleeve)	99155
	Seal	24904		Bearing (Front)	BR31594/BR31520
	Bearing (Inner)	BR37		Bearing (Rear)	BR02872/BR02820
	(Set Components)	LM603049/LM603011	REAR AXLE		
	Bearing (Outer)	BR35	1981-1974 9.25" Ring Gear:		
	(Set Components)	LM501349/LM501310		Seal	18708
AXLE SHAFT				(Speedi-Sleeve)	99187
1981-1980 All:				Bearing (Front)	BR52
	Seal	24898		(Set Components)	M88048/M88010
1979-1974 All:				Bearing (Rear)	M804049/M804010
	Seal	13165			(Continued)

• See page 256.

For all other in-text symbols, see page 6.

(Cont.) -- PLYMOUTH TRUCK TRAILDUSTER

MFG./YEAR	MODEL & LOCATION	PART NO.	MFG./YEAR	MODEL & LOCATION	PART NO.
PINION (Cont.)			PINION (Cont.)		
REAR AXLE (Cont.)			REAR AXLE (Cont.)		
1981-1974	8.375" Ring Gear:		1977-1974	8.75" Ring Gear:	
	Seal	16805		Seal	18708
	(Speedi-Sleeve)	99168		(Speedi-Sleeve)	99187
	Bearing (Front)	M86649/M86610		Bearing (Front)	BR52
	Bearing (Rear)	M802048/M802011		(Set Components)	M88048/M88010
				Bearing (Rear)	M804049/M804010

PLYMOUTH TRUCK VOYAGER (THRU 1983)

WHEEL FRONT		
1983-1978	3,600 lb. Axle:	
	Seal	20425
	Bearing (Inner)	BR11
	(Set Components)	JL69349/JL69310
	Bearing (Outer)	BR16
	(Set Components)	LM12749/LM12711
1983-1974	3,300 lb. Axle:	
	Seal	19500
	Bearing (Inner)	BR17
	(Set Components)	L68149/L68111
	Bearing (Outer)	BR16
	(Set Components)	LM12749/LM12711
WHEEL REAR		
1983-1978	8.375" Ring Gear:	
	Seal	16044
	Bearing	R1559-TV
	(Axle Repair Brg. Assy.)	• R1559
1983-1974	9.25" Ring Gear:	
	Seal	16044
	Bearing	R1559-TV
	(Axle Repair Brg. Assy.)	• R1559
1977-1974	8.75" Ring Gear:	
	Seal (Inner)	15460
	Seal (Outer)	19000
	Bearing	BR7
	(Set Components)	M201047-S/M201011

PINION		
1983-1978	8.375" Ring Gear:	
	Seal	16805
	(Speedi-Sleeve)	99168
	Bearing (Front)	M86649/M86610
	Bearing (Rear)	M802048/M802011
1983-1974	9.25" Ring Gear:	
	Seal	18708
	(Speedi-Sleeve)	99187
	Bearing (Front)	BR52
	(Set Components)	M88048/M88010
	Bearing (Rear)	M804049/M804010
1977-1974	8.75" Ring Gear:	
	Seal	18708
	(Speedi-Sleeve)	99187
	Bearing (Front)	BR52
	(Set Components)	M88048/M88010
	Bearing (Rear)	M802048/M802011

PONTIAC TRUCK AZTEK

WHEEL FRONT		
2005-2003	ABS & A.W.D.:	
	Hub Assembly (Kit)	BR930548K
2005-2003	w/o ABS & A.W.D.:	
	Hub Assembly	◇ BR930472
	(Superseded by:)	BR930184
2002-2001	All:	
	Hub Assembly (Kit)	BR930548K
WHEEL REAR		
2005-2004	w/o ABS & A.W.D.:	
	Hub Assembly	BR930026
2005-2001	A.W.D.:	
	Hub Assembly (Kit)	BR930548K

WHEEL REAR (Cont.)		
2005-2001	w/ABS w/o A.W.D.:	
	Hub Assembly	BR930075
AXLE SHAFT		
2002-2001	A.W.D.:	
	Seal	13750

APPLICATIONS
TRAILER, TAG & PUSH AXLES
FRONT AXLES
DRIVE AXLES
PINION SEALS
CONMET®
LIGHT TRUCK

PONTIAC TRUCK TORRENT

MFG./YEAR	MODEL & LOCATION	PART NO.	MFG./YEAR	MODEL & LOCATION	PART NO.
WHEEL FRONT					
2006	ABS:				
	Hub Assembly	BR930326			
2006	w/o ABS:				
	Hub Assembly	BR930323			
WHEEL REAR					
2006	w/o ABS:				
	Hub Assembly	BR930328			
2006	ABS:				
	Hub Assembly	BR930327			

STUDEBAKER LIGHT TRUCK

<p>WHEEL FRONT</p> <p>1964-1958 Models 1, 2, 3, 6, 7 & 8 w/4 W/D: Seal14864</p> <p>1964-1956 Std. Late '56 Models 10, 11 & 12: Seal17599</p> <p>1964-1956 H.D. Late '56 Models 10, 11 & 12: Seal18808 Bearing (Inner) BR13685/BR13621 Bearing (Outer) BR3 (Set Components) M12649/M12610</p> <p>1964-1956 Late '56 Models 10, 11 & 12 w/4 W/D: Seal22390 Bearing BR37 (Set Components) LM603049/LM603011</p> <p>1964-1956 Models 13, 14 & 15 w/4 W/D: Seal24931</p> <p>1964-1956 Std. Models 1, 2, 3, 6 & 7 w/o 4 W/D: Seal17359 Bearing (Inner) BR6 (Set Components) LM67048/LM67010 Bearing (Outer) BR2 (Set Components) LM11949/LM11910</p> <p>1964-1956 Exc. 4 W/D Models 13, 14 & 15: Seal18808 Bearing (Inner) BR2788/BR2726 Bearing (Outer) BR1380/BR1328</p> <p>1964-1954 Std. Late '54 Model 5 w/o 4 W/D: Seal17359 Bearing (Inner) BR6 (Set Components) LM67048/LM67010 Bearing (Outer) BR2 (Set Components) LM11949/LM11910</p> <p>1954-1949 w/o 4 W/D: Bearing (Inner) BR15123/BR15245 Bearing (Outer) BR09067/BR09195</p> <p>1954-1946 4 W/D Early '54 Model 5: Seal17617</p> <p>WHEEL REAR</p> <p>1964-1956 Models 1, 2, 3, 5, 6 & 7: Seal (Inner)13862 Bearing (Outer) BR25877/BR25821</p> <p>1964-1956 Models 4 & 8: Bearing (Outer) BR25877/BR25821</p> <p>1964-1956 Models 10, 11 & 12 Early '56: Seal (Outer)23779</p> <p>1964-1956 Models 10, 11 & 12 Late '56: Seal (Outer)23755 Bearing (Outer) BR18790/BR18720</p> <p>1964-1955 Models 13, 14, 15 & 15A: Seal (Outer)27430</p> <p>1955-1946 Models w/o Spring: Seal (Inner)13710</p>	<p>WHEEL REAR (Cont.)</p> <p>1955-1946 Models 1, 2, 3, 4, 6, 7 & 8: Bearing (Outer) BR25877/BR25821</p> <p>PINION</p> <p>FRONT AXLE</p> <p>1964-1958 1 Ton 4 W/D: Seal25950 Bearing MU5206UM26</p> <p>1962-1957 1/2 Ton 4 W/D: Seal15788 (Speedi-Sleeve)99155 Bearing BR31594/BR31520</p> <p>1958-1957 3/4 Ton 4 W/D: Seal15788 (Speedi-Sleeve)99155 Bearing BR31594/BR31520</p> <p>REAR AXLE</p> <p>1964-1962 1 Ton Rockwell Std. Axle: Seal21245 (Speedi-Sleeve)99212 Bearing HM807044/HM807010</p> <p>1964-1962 1 Ton Spicer Axle: Seal18888 (Speedi-Sleeve)99187</p> <p>1964-1956 3/4 Ton: Seal18888 (Speedi-Sleeve)99187 Bearing HM807040/HM807010</p> <p>1959 Early: Seal21213 (Speedi-Sleeve)99212</p> <p>1959 Late: Seal21245 (Speedi-Sleeve)99212</p> <p>1955-1954 3/4 Ton: Seal12456 (Speedi-Sleeve)99125 (Speedi-Sleeve/Seal Kit)480125</p> <p>1953-1949 All: Seal13739 (Speedi-Sleeve)99138</p>
---	--

• See page 256.

For all other in-text symbols, see page 6.

MFG./YEAR	MODEL & LOCATION	PART NO.
WHEEL FRONT (2 W/D)		
2007-2002	4Runner:	
	Seal	31897
	Sealed Bearing w/Housing	FW194
2007-2001	Sequoia:	
	Seal (Inner)	35418
	Seal (Outer)	27117
	Bearing	FW189
2007-2001	Highlander:	
	Sealed Bearing	FW50
2006-2003	Tundra:	
	Seal	35418
	Bearing	FW189
2004-2001	RAV4:	
	Sealed Bearing	FW153
2004-1998	Tacoma PreRunner:	
	Bearing	FW189
2004-1995	Tacoma:	
	Seal	19608
	Bearing (Inner)	BR5
	(Set Components)	LM48548/LM48510
	Bearing (Outer)	BR3
	(Set Components)	M12649/M12610
2002-2001	Tundra:	
	Seal	35418
2001-1996	4Runner:	
	Seal	35418
	Bearing	FW189
2000	Tundra:	
	Seal	35418
2000-1996	RAV4:	
	Seal Kit	22075
	Bearing	FW114
1998-1993	T100:	
	Seal	19608
	Bearing (Outer)	BR1380/BR1328
1995-1975	Pickup:	
	Seal	19596
	Bearing (Inner)	BR5
	(Set Components)	LM48548/LM48510
	Bearing (Outer)	BR3
	(Set Components)	M12649/M12610
1989-1984	Van:	
	Seal	18962
	Bearing (Inner)	BR6
	(Set Components)	LM67048/LM67010
	Bearing (Outer)	BR2
	(Set Components)	LM11949/LM11910
1974-1972	Pickup:	
	Seal	19596
	Bearing (Inner)	BR15123/BR15245
	Bearing (Outer)	BR09067/BR09195
1970-1969	Hi Lux:	
	Bearing (Inner)	BR15123/BR15245
	Bearing (Outer)	BR09067/BR09195
WHEEL FRONT (4 W/D)		
2007	FJ Cruiser:	
	Seal	31897
	Sealed Bearing w/Housing	FW194
2007-2005	Tacoma:	
	Seal	31897
	Sealed Bearing w/Housing	FW194
2007-2003	4Runner:	
	Seal	31897
	Sealed Bearing w/Housing	FW194

WHEEL FRONT (4 W/D) (Cont.)

2007-2001	Sequoia:	
	Seal	35418
	Bearing	FW189
2007-2001	RAV4:	
	Sealed Bearing	FW153
2007-1975	Land Cruiser From 10/75:	
	Seal	24635
	Bearing (Inner)	JLM104948/JLM104910
	Bearing (Outer)	BR50
	(Set Components)	LM102949/LM102910
2006-2001	Highlander:	
	Sealed Bearing	FW50
2006-2000	Tundra:	
	Seal (Inner)	27117
	Seal (Outer)	35418
	Bearing	FW189
2004-1995	Tacoma:	
	Seal (Inner)	35418
	Seal (Outer)	27117
	Bearing	FW189
2000-1996	RAV4:	
	Seal Kit	22075
	Bearing	FW114
1998-1993	T100:	
	Seal (Inner)	25968
	Seal (Outer)	36650
	Bearing (Inner)	JLM104948/JLM104910
	Bearing (Outer)	BR50
	(Set Components)	LM102949/LM102910
1995-1985	Pickup & 4Runner From 9/85:	
	Seal	25968
	Bearing (Inner)	JLM104948/JLM104910
	Bearing (Outer)	BR50
	(Set Components)	LM102949/LM102910
1985-1979	Pickup & 4Runner Thru 8/85:	
	Seal	24635
	Bearing (Inner)	JLM104948/JLM104910
	Bearing (Outer)	BR50
	(Set Components)	LM102949/LM102910
1975-1969	Land Cruiser Thru 9/75:	
	Seal	550241
	Bearing (Inner)	BR26882/BR26820
	Bearing (Outer)	BR2788/BR2720
AXLE SHAFT		
2006-2000	Sequoia & Tundra:	
	Seal (R.H.)	18478
	Seal (L.H.)	18491
2004-2001	Highlander:	
	Seal	13725
2004-1996	RAV4:	
	Seal	13725
1998-1995	T100:	
	Seal	13725
1995-1989	Pickup & 4Runner:	
	Seal	13725
1990-1986	Land Cruiser, Pickup & 4Runner:	
	Seal	13857
1985-1981	Land Cruiser, Pickup & 4Runner:	
	Seal	12810
STEERING KNUCKLE		
1982-1979	Pickup:	
	Seal	37442

(Continued)

APPLICATIONS
 TRAILER, TAG & PUSHER AXLES
 FRONT AXLES
 DRIVE AXLES
 PINION SEALS
 CONMET®
 LIGHT TRUCK

APPLICATIONS
 TRAILER, TAG & PUSH AXLES
 FRONT AXLES
 DRIVE AXLES
 PINION SEALS
 CONMET®
 LIGHT TRUCK

TOYOTA TRUCK -- (Cont.)

MFG./YEAR MODEL & LOCATION PART NO.

WHEEL FRONT (A.W.D.)

2005 Land Cruiser:
 Seal24635
 Bearing (Inner) JLM104948/JLM104910
 Bearing (Outer) BR50
 (Set Components) LM102949/LM102910

2005 Highlander:
 Sealed Bearing FW50

1989-1987 Van:
 Seal25965
 Bearing (Inner) 32010-C
 Bearing (Outer) BR50
 (Set Components) LM102949/LM102910

WHEEL REAR

2007 FJ Cruiser:
 Seal22822
 Sealed Bearing (L.H.) GRW271
 Sealed Bearing (R.H.) GRW270

2007-2006 Highlander w/4 W/D:
 Hub Assembly BR930338

2007-2005 Tacoma:
 Hub Assembly (L.H.) BR930402
 Hub Assembly (R.H.) BR930401

2007-2004 Highlander w/2 W/D:
 Hub Assembly (L.H.) BR930376
 Hub Assembly (R.H.) BR930377

2007-2003 RAV4 w/F.W.D. & ABS From 7/03:
 Hub Assembly BR930296

2007-2002 4Runner:
 Seal22822
 Sealed Bearing (L.H.) GRW271
 Sealed Bearing (R.H.) GRW270

2007-2001 Sequoia:
 Hub Assembly BR930292

2007-1998 Land Cruiser:
 Sealed Bearing FW147

2006-2005 Tundra:
 Seal (Inner)21291
 Seal (Outer)19630
 Sealed Bearing GRW248

2005-2001 RAV4 F.W.D. w/o ABS:
 Hub Assembly BR930295

2004 Highlander w/4 W/D:
 Hub Assembly BR930338

2004-2000 Tacoma & Tundra:
 Seal (Outer)21291
 Seal (Inner)19630
 Sealed Bearing GRW248

2003-2001 Highlander:
 Seal (Inner)22033
 Seal (Outer)20429
 Bearing FW114

2000-1996 4Runner:
 Seal (Inner)19630
 Seal (Outer)18964
 Sealed Bearing w/Lock Ring GRW130-R

2000-1996 RAV4:
 Sealed Bearing GRW100

1999-1995 Tacoma:
 Seal (Inner)19630
 Seal (Outer)18964
 Sealed Bearing w/Lock Ring GRW130-R

MFG./YEAR MODEL & LOCATION PART NO.

WHEEL REAR (Cont.)

1998-1993 T100:
 Seal (Inner)19630
 Seal (Outer)18964
 Sealed Bearing w/Lock Ring GRW130-R

1997-1992 Land Cruiser w/Full-Floating Axle From 9/92:
 Seal (Inner)24642
 Seal (Outer)13911
 Bearing (Inner) JLM104948/JLM104910
 Bearing (Outer) BR50
 (Set Components) LM102949/LM102910

1995-1985 Pickup w/Dual Rr. Whls.:
 Seal (Inner)24635
 Seal (Outer)13911
 Bearing (Inner) JLM104948/JLM104910
 Bearing (Outer) BR50
 (Set Components) LM102949/LM102910

1995-1984 4Runner w/o Full-Floating Axle:
 Seal (Inner)19630
 Seal (Outer)18964
 Sealed Bearing w/Lock Ring GRW130-R

1995-1982 Pickup w/o Dual Rr. Whls. From 9/82:
 Seal (Inner)19630
 Seal (Outer)18964
 Sealed Bearing w/Lock Ring GRW130-R

1994-1975 Land Cruiser w/o Full-Floating Axle:
 Seal18695
 Bearing GRW146

1992-1979 Land Cruiser w/Full-Floating Axle From 2/79 Thru 8/92:
 Seal (Inner)36655
 Seal (Outer)13911
 Bearing (Inner) JLM104948/JLM104910
 Bearing (Outer) BR50
 (Set Components) LM102949/LM102910

1989-1986 Van:
 Seal20433
 Sealed Bearing w/Lock Ring GRW158-R

1989-1986 4Runner w/Full-Floating Axle:
 Seal (Inner)24635
 Seal (Outer)13911
 Bearing (Inner) JLM104948/JLM104910
 Bearing (Outer) BR50
 (Set Components) LM102949/LM102910

1985-1984 Van:
 Seal20433
 Sealed Bearing w/Lock Ring GRW124-R

1982-1972 Pickup Thru 8/82:
 Seal (Inner)19630
 Seal (Outer)18964
 Sealed Bearing w/Lock Ring GRW130-R

1979-1976 Land Cruiser w/Full-Floating Axle From 9/76 Thru 1/79:
 Seal (Inner)24635
 Seal (Outer)14695
 Bearing (Inner) JLM104948/JLM104910
 Bearing (Outer) BR50
 (Set Components) LM102949/LM102910

(Continued)

• See page 256.

For all other in-text symbols, see page 6.

(Cont.) -- TOYOTA TRUCK

MFG./YEAR	MODEL & LOCATION	PART NO.
WHEEL REAR (Cont.)		
1976-1975	Land Cruiser w/Full-Floating Axle Thru 8/76:	
	Seal (Inner)	24635
	Seal (Outer)	14695
	Bearing (Inner)	JLM104948/JLM104910
	Bearing (Outer)	BR50
	(Set Components)	LM102949/LM102910
1974	Land Cruiser w/o Full-Floating Axle:	
	Seal	18695
	Bearing	GRW146
1973-1969	Land Cruiser w/o Full-Floating Axle:	
	Seal	18693
	Bearing	GRW123
1972-1969	Hi Lux:	
	Seal (Inner)	19630
	Seal (Outer)	18964
	Sealed Bearing w/Lock Ring	GRW130-R
1968-1965	Lite Stout:	
	Seal (Outer)	18964
PINION		
FRONT AXLE		
2004-2001	Sequoia:	
	Seal	14891
	Bearing (Front)	BR32307
	Bearing (Rear)	BR30306
2004-2000	Tundra:	
	Seal	14891
	Bearing (Front)	BR32307
	Bearing (Rear)	BR30306
2004-1995	Tacoma:	
	Seal	14891
	Bearing (Front)	BR32307
	Bearing (Rear)	BR30306
2000-1996	4Runner:	
	Seal	14891
	Bearing (Front)	BR32307
	Bearing (Rear)	BR30306
1998-1995	T100 Pickup:	
	Seal	14767
	(Speedi-Sleeve)	99147
	Bearing (Front)	BR32307
	Bearing (Rear)	BR30306
1997-1990	Land Cruiser Wgn.:	
	Seal	14766
	(Speedi-Sleeve)	99147
	Bearing (Front)	32307-A89
	Bearing (Rear)	BR30306
1995-1986	4Runner:	
	Seal	14767
	(Speedi-Sleeve)	99147
	Bearing (Front)	BR30306
	Bearing (Rear)	BR32307
1994-1979	Pickup & T100:	
	Seal	14767
	(Speedi-Sleeve)	99147
	Bearing (Front)	BR32307
	Bearing (Rear)	BR30306
1989-1987	Van:	
	Seal	14758
	Bearing (Front)	HM88649/HM88610
	Bearing (Rear)	M86649/M86610
1989-1980	Land Cruiser Wgn. From 8/80:	
	Seal	14767
	(Speedi-Sleeve)	99147

MFG./YEAR	MODEL & LOCATION	PART NO.
PINION (Cont.)		
FRONT AXLE (Cont.)		
1984-1981	Land Cruiser Exc. Wgn. From 11/81:	
	Seal	14767
	(Speedi-Sleeve)	99147
1981-1973	Land Cruiser From 9/73 Thru 10/81:	
	Seal	14767
	(Speedi-Sleeve)	99147
	Bearing (Rear)	BR30306
1973-1969	Land Cruiser Thru 8/73:	
	Seal	14767
	(Speedi-Sleeve)	99147
	Bearing (Rear)	BR30306
REAR AXLE		
2005-2001	Sequoia:	
	Seal	17803
	Bearing (Front)	HM88649/HM88610
2005-2001	RAV4:	
	Seal	14934
	(Speedi-Sleeve)	99147
	Bearing (Front)	M86649/M86610
	Bearing (Rear)	HM88649/HM88610
2004-2002	Tacoma w/Locking Diff. From 2/02:	
	Seal	16114
	Bearing (Rear)	32307-A89
2004-2001	Tacoma w/4 Spd. Floor Shift Trans.:	
	Seal	14766
	(Speedi-Sleeve)	99147
2004-2001	Highlander:	
	Seal	14934
	(Speedi-Sleeve)	99147
2004-2000	Tundra:	
	Seal	17803
	Bearing (Front)	HM88649/HM88610
2004-1997	Tacoma w/Auto. 4 Spd. Column Shift Trans. or Man. Trans.:	
	Seal	14766
	(Speedi-Sleeve)	99147
	Bearing (Rear)	BR32307
2004-1993	Tacoma w/2.7L & 3.4L Eng.; T100:	
	Seal	17803
	Bearing (Front)	HM88649/HM88610
2002-1998	Tacoma w/2 W/D & Locking Diff. From 3/98 Thru 1/02:	
	Seal	14766
	(Speedi-Sleeve)	99147
	Bearing (Rear)	32307-A89
2002-1996	Tacoma w/4 W/D & Locking Diff. Thru 1/02:	
	Seal	14766
	(Speedi-Sleeve)	99147
	Bearing (Rear)	32307-A89
2000-1996	4Runner w/o Locking Diff.:	
	Seal	14766
	(Speedi-Sleeve)	99147
	Bearing (Front)	32307-A89
	Bearing (Rear)	BR30306
2000-1996	4Runner w/Locking Diff.:	
	Seal	14766
	(Speedi-Sleeve)	99147
	Bearing (Front)	32307-A89

(Continued)

APPLI-CATIONS
TRAILER, TAG & PUSHER AXLES
FRONT AXLES
DRIVE AXLES
PINION SEALS
CONMET®
LIGHT TRUCK

TOYOTA TRUCK -- (Cont.)

MFG./YEAR	MODEL & LOCATION	PART NO.
PINION (Cont.)		
REAR AXLE (Cont.)		
2000-1996 RAV4:		
	Seal	14758
	Bearing (Front)	M86649/M86610
	Bearing (Rear)	HM88649/HM88610
1998-1989 Land Cruiser Wgn. From 9/89:		
	Seal	14766
	(Speedi-Sleeve)	99147
	Bearing (Front)	BR30308
	Bearing (Rear)	30306-C
1996-1995 Tacoma w/Auto. 4 Spd. Column Shift Trans. or Man. Trans.:		
	Seal	14766
	(Speedi-Sleeve)	99147
	Bearing (Front)	BR30306
	Bearing (Rear)	BR32307
1995-1990 Pickup w/2.4L Eng. From 9/90:		
	Seal	14767
	(Speedi-Sleeve)	99147
	Bearing (Front)	32307-A31
	Bearing (Rear)	BR30306
1995-1990 4Runner w/o Turbo:		
	Seal	14766
	(Speedi-Sleeve)	99147
	Bearing (Front)	32307-A31
	Bearing (Rear)	BR30306
1994-1988 Pickup & 4Runner w/3.0L Eng.:		
	Seal	14767
	(Speedi-Sleeve)	99147
	Bearing (Front)	32307-A89
	Bearing (Rear)	BR30306
1990-1988 Pickup w/2.4L Eng. & 4 W/D From 9/88 Thru 8/90:		
	Seal	14766
	(Speedi-Sleeve)	99147
	Bearing (Front)	BR30306
	Bearing (Rear)	32307-A31
1990-1988 Pickup w/2.4L Eng. & 2 W/D Trans. From 9/88 Thru 8/90:		
	Seal	14767
	(Speedi-Sleeve)	99147
	Bearing (Front)	BR30306
	Bearing (Rear)	BR32307
1989-1985 4Runner w/o Turbo From 9/85:		
	Seal	14767
	(Speedi-Sleeve)	99147
	Bearing (Front)	BR30306
	Bearing (Rear)	32307-A31

MFG./YEAR	MODEL & LOCATION	PART NO.
PINION (Cont.)		
REAR AXLE (Cont.)		
1989-1984 Van:		
	Seal	14767
	(Speedi-Sleeve)	99147
	Bearing (Front)	BR30306
	Bearing (Rear)	BR32307
1989-1981 Land Cruiser Wgn. Thru 8/89:		
	Seal	14767
	(Speedi-Sleeve)	99147
1988-1979 Pickup w/4 W/D Thru 8/88:		
	Seal	14767
	(Speedi-Sleeve)	99147
	Bearing (Front)	BR30306
	Bearing (Rear)	32307-A31
1988-1973 Pickup w/2 W/D Thru 8/88:		
	Seal	14767
	(Speedi-Sleeve)	99147
	Bearing (Front)	BR30306
	Bearing (Rear)	BR32307
1985-1984 4Runner w/o Turbo Thru 8/85:		
	Seal	14767
	(Speedi-Sleeve)	99147
	Bearing (Front)	BR30306
	Bearing (Rear)	BR32307
1984-1981 Land Cruiser Exc. Wgn. From 2/81:		
	Seal	14767
	(Speedi-Sleeve)	99147
1981-1980 Land Cruiser Exc. Wgn. From 9/73 Thru 1/81:		
	Seal	14767
	(Speedi-Sleeve)	99147
	Bearing (Front)	BR30306
1973-1969 Land Cruiser Thru 8/73:		
	Seal	14767
	(Speedi-Sleeve)	99147
	Bearing (Front)	BR30306
1972-1969 Hi Lux:		
	Seal	14767
	(Speedi-Sleeve)	99147
	Bearing (Front)	BR30306
	Bearing (Rear)	BR32307
1968-1965 Lite Stout:		
	Seal	14767
	(Speedi-Sleeve)	99147

VOLVO TRUCK XC70, XC90

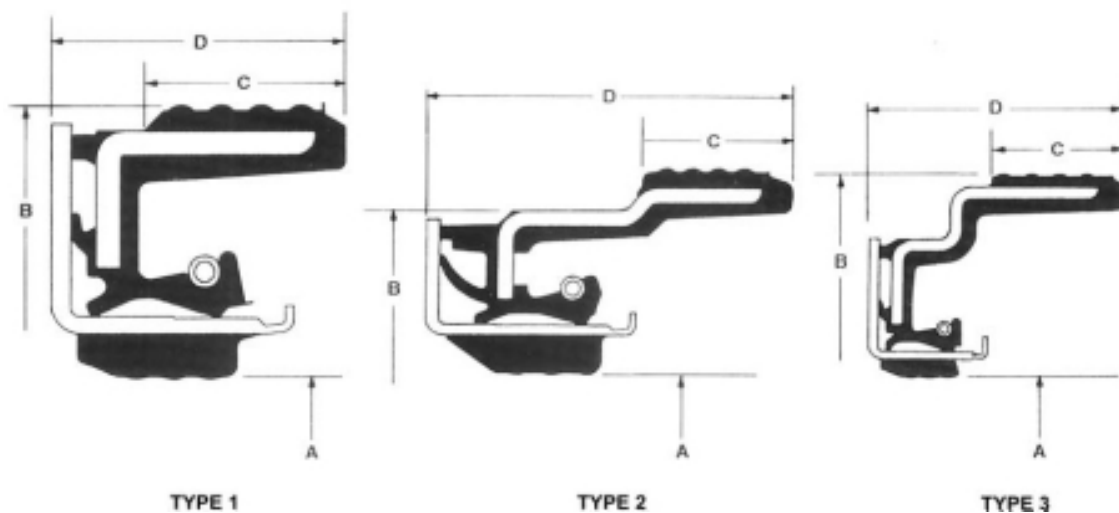
WHEEL FRONT

2007-2004 XC70:		
	Hub Assembly	BR930277
2007-2003 XC90:		
	Hub Assembly	BR930504

WHEEL REAR

2007-2004 XC70:		
	Hub Assembly	BR930389
2007-2003 XC90:		
	Hub Assembly	BR930505

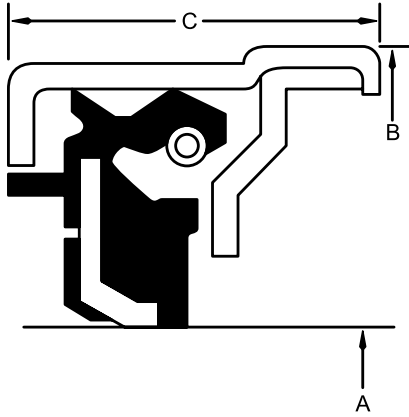
Scotseal® PlusXL



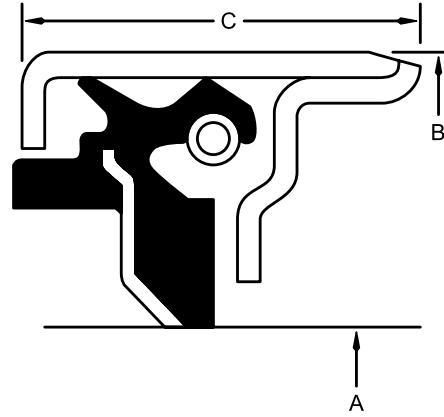
Scotseal PlusXL no.	Type	Shaft diam. (A)	Seal O.D. (B)	Pressfit width (C)	Overall width (D)
23590	1	2.359	3.949	0.575	0.686
28759	1	2.875	3.886	0.535	0.824
29480	1	2.948	4.730	0.526	0.630
34384	1	3.438	4.770	0.598	0.700
34971	1	3.500	4.557	0.512	0.900
34994*	1	3.500	4.765	0.409	0.706
35058	2	3.500	4.854	0.580	0.903
38776	3	3.875	5.704	0.580	0.892
39426†	1	3.938	5.526	0.478	0.591
39979	1	4.000	5.137	0.517	0.953
40091	1	4.000	5.639	0.376	0.688
40129	2	4.000	5.767	0.594	0.995
42627	2	4.250	6.025	0.581	0.971
42673	3	4.250	6.267	0.852	1.245
43754	2	4.375	5.764	0.594	0.995
43761	2	4.375	5.918	0.585	1.000
44916	1	4.500	5.389	0.548	0.975
45093	1	4.500	5.764	0.659	0.767
45095	2	4.500	5.890	0.581	1.009
45157	1	4.500	6.264	0.470	0.750
46300	2	4.625	6.014	0.562	0.912
47691	1	4.767	6.324	0.562	1.035
47692	2	4.767	6.326	0.559	1.420
48002	1	4.766	6.264	0.433	0.795

† Scotseal Plus Design * Fits Cup Bore

Scotseal® Classic and Scotseal Longlife



TYPE 1



TYPE 2

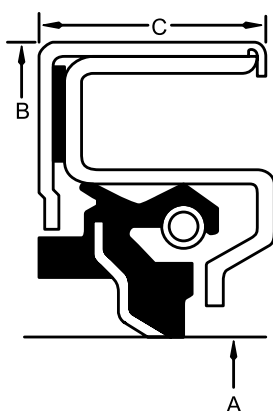
Scotseal no.	Type	Shaft diam. (A)	O.D. (B)	Overall width (C)
27438	1	2.750	3.784	0.762
28758	1	2.875	3.881	0.750
28820	1	2.875	4.131	0.844
28832	1	2.875	4.181	0.844
31175*	2	3.125	4.131	0.781
31244*	1	3.125	4.381	0.781
31281	1	3.125	4.506	0.672
31307	1	3.125	4.631	0.672
32470	1	3.250	4.506	0.672
34387	1	3.438	4.762	0.859
34975	2	3.500	4.552	0.862
35000*	1	3.500	4.631	0.986
35060*	1	3.500	4.819	0.906
35066	1	3.500	4.847	0.904
35072	1	3.500	4.857	0.904
35075	1	3.500	5.006	0.891
35103†	1	3.500	4.847	0.904
36285*	1	3.625	4.819	0.906
36358	1	3.625	5.006	0.859
36365	1	3.625	5.006	0.891
38709	1	3.875	5.134	0.844
38736	1	3.875	5.255	0.844
38747	2	3.875	5.381	1.016
38750	1	3.875	5.506	0.938

Scotseal no.	Type	Shaft diam. (A)	O.D. (B)	Overall width (C)
38780	1	3.875	5.696	0.938
39380	2	3.938	5.381	1.016
39420	1	3.938	5.506	0.938
39425	1	3.938	5.509	1.016
39988	1	4.000	5.131	1.047
40040	1	4.000	5.381	1.016
40086	3	4.000	5.631	0.688
40136	1	4.000	5.759	1.079
40139	1	4.000	5.765	1.079
42550	1	4.250	5.506	0.938
42623	1	4.250	6.014	0.984
42624	1	4.250	6.048	0.984
42625	5	4.250	6.020	1.122
42631†	1	4.250	6.014	0.984
42672	1	4.250	6.259	1.250
42800	1	4.266	6.071	0.875
43752	1	4.375	5.756	1.016
43764	1	4.375	5.910	1.000
43800*	1	4.375	6.008	1.047
43860	1	4.375	6.259	0.922
43865	1	4.375	6.259	1.047
43875	1	4.375	6.316	1.125
44922	1	4.500	5.381	0.984
44964	1	4.500	5.506	0.750

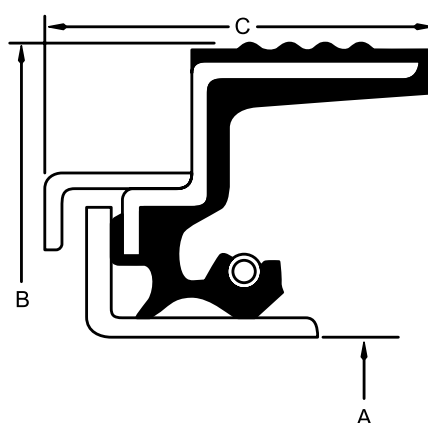
* Fits cup bore † Longlife version

Scotseal must be installed with tools listed in this catalog.

Scotseal® Classic and Scotseal Longlife - (cont.)



TYPE 3



TYPE 5

Scotseal no.	Type	Shaft diam. (A)	O.D. (B)	Overall width (C)
45010	1	4.500	5.506	0.938
45099	1	4.500	5.756	1.016
45103	1	4.500	5.881	0.984
45152	1	4.500	6.316	1.125
45160	1	4.500	6.259	1.047
45162	1	4.500	6.446	0.938
46305	1	4.625	6.006	1.063
46308 [†]	1	4.625	6.006	1.063
46390	1	4.635	6.014	1.031
47483*	1	4.750	6.006	1.063
47690*	1	4.766	6.006	1.063

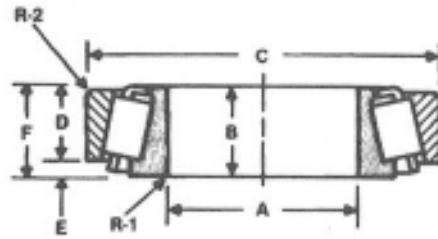
Scotseal no.	Type	Shaft diam. (A)	O.D. (B)	Overall width (C)
47693 [†]	1	4.767	6.316	1.125
47697	1	4.766	6.316	1.125
47698	1	4.767	6.320	1.125
47699	1	4.766	7.006	1.250
48000	1	4.766	6.259	1.047
48690	1	4.875	6.006	0.875
48794	1	4.875	6.384	0.938
48796	1	4.875	6.446	0.938
48884	1	4.875	6.508	1.063
50124	1	5.000	6.259	1.047
52658	1	5.250	7.381	0.945

* Fits cup bore † Longlife version

Scotseal must be installed with tools listed in this catalog.

Note: Oil seals are usually installed in the OEM seal bore. However, on some applications, they are installed in the bearing cup bore.

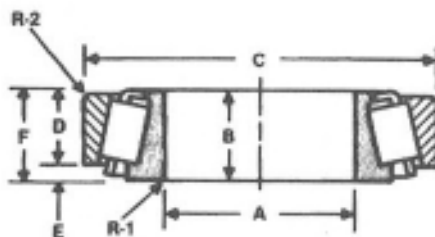
Bearings



Cone part no.	Cup part no.	Cone			Cup			Stand-out (E)	Set width (F)
		I.D. (A)	Length (B)	Radius (R-1)	O.D. (C)	Length (D)	Radius (R-2)		
495-AX	BR493	3.0000	1.1720	0.2500	5.3750	0.8750	0.1300	0.3125	1.1875
555-S	552-A	2.2500	1.4440	0.1400	4.8750	1.1875	0.1300	0.3125	1.5000
557-A	553-X	2.3750	1.4440	0.3100	4.8125	1.1875	0.1300	0.3125	1.5000
557-S	552-A	2.1250	1.4440	0.1400	4.8750	1.1875	0.1300	0.3125	1.5000
594-A	592-A	3.7500	1.4300	0.2000	6.0000	1.1875	0.1300	0.3750	1.5625
598-A	592-A	3.6250	1.4300	0.2500	6.0000	1.1875	0.1300	0.3750	1.5625
6386-A	BR6320	2.6250	2.2050	0.3400	5.3447	1.7500	0.1300	0.3750	2.1250
6461-A	BR6420	3.0000	2.1350	0.3800	5.8750	1.7500	0.1300	0.3750	2.1250
663-A	BR653	3.2500	1.6250	0.2700	5.7500	1.2500	0.1300	0.3750	1.6250
665-A	BR653	3.3750	1.6250	0.2500	5.7500	1.2500	0.1300	0.3750	1.6250
681-A	BR672	3.6250	1.6250	0.2500	6.6250	1.1875	0.1300	0.4375	1.6250
749-A	BR742	3.2500	1.8375	0.1400	5.9090	1.4375	0.1300	0.3125	1.7500
756-A	BR752	3.1250	1.9000	0.3100	6.3750	1.5000	0.1300	0.3750	1.8750
BR25572	BR25520	1.5000	1.0000	0.0300	3.2650	0.7500	0.0300	0.1875	0.9375
BR25580	BR25523	1.7500	1.0000	0.1400	3.2650	0.8750	0.0900	0.1875	1.0625
BR25877	BR25820	1.3750	0.9688	0.0600	2.8750	0.7500	0.0900	0.1875	0.9375
BR25880	BR25820	1.4365	0.9688	0.0600	2.8750	0.7500	0.0900	0.1875	0.9375
BR26878	BR26820	1.5000	1.0000	0.0300	3.1562	0.8125	0.1300	0.1875	0.9375
BR2780	BR2720	1.4365	1.0100	0.0600	3.0000	0.7500	0.1300	0.1875	0.9375
BR2796	BR2720	1.3750	1.0100	0.1400	3.0000	0.7500	0.1300	0.1875	0.9375
BR28682	BR28622	2.2500	0.9688	0.1400	3.8437	0.7656	0.0300	0.2032	0.9688
BR28995	BR28920	2.4700	1.0000	0.1400	4.0000	0.7813	0.1200	0.2187	1.0000
BR3196	BR3120	1.3125	1.1810	0.1400	2.8593	0.9375	0.1300	0.2500	1.1875
BR33281	BR33462	2.8125	1.1875	0.1400	4.6250	0.9375	0.1300	0.2500	1.1875
BR33287	BR33462	2.8750	1.1875	0.1400	4.6250	0.9375	0.1300	0.2500	1.1875
BR33891	BR33821	2.0625	1.1250	0.1400	3.7500	0.8750	0.0900	0.2188	1.9380
BR33895	BR33821	2.1250	1.1250	0.0600	3.7500	0.8750	0.0900	0.2188	1.9380
BR3583 ¹	BR3525	1.5000	1.2160	0.1400	3.4375	0.9375	0.1300	0.2500	1.1875
BR3585	BR3525	1.6250	1.2160	0.0600	3.4375	0.9375	0.1300	0.2500	1.1875
BR3779	BR3720	1.8750	1.1930	0.1400	3.6718	0.9375	0.1300	0.2500	1.1875
BR3782	BR3720	1.7500	1.1930	0.1400	3.6718	0.9375	0.1300	0.2500	1.1875
BR3877	BR3820	1.6250	1.1875	0.1400	3.3750	0.9375	0.1300	0.2500	1.1875

¹No longer available—reference only

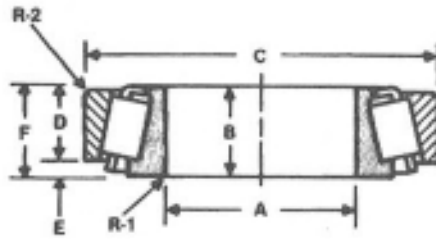
Bearings - (cont.)



Cone part no.	Cup part no.	Cone			Cup			Stand-out (E)	Set width (F)
		I.D. (A)	Length (B)	Radius (R-1)	O.D. (C)	Length (D)	Radius (R-2)		
BR39250	BR39412	2.5000	0.8661	0.0800	4.1250	0.6250	0.0800	0.2188	0.8438
BR39578 ¹	BR39520	2.1250	1.1875	0.1400	4.4375	0.9675	0.1300	0.2500	1.1875
BR39580	BR39520	2.2500	1.1875	0.1400	4.4375	0.9675	0.1300	0.2500	1.1875
BR39581	BR39520	2.2500	1.1875	0.3100	4.4375	0.9675	0.1300	0.2500	1.1875
BR39585	BR39520	2.5000	1.1875	0.1400	4.4375	0.9675	0.1300	0.2500	1.1875
BR39590	BR39520	2.6250	1.1875	0.1400	4.4375	0.9675	0.1300	0.2500	1.1875
BR39590	BR39521	2.6250	1.1875	0.1400	4.4375	0.9375	0.0300	0.2500	1.1875
BR3979	BR3920	2.2500	1.1830	0.1400	4.4375	0.9375	0.1300	0.2500	1.1875
BR3982	BR3920	2.5000	1.1830	0.1400	4.4375	0.9375	0.1300	0.2500	1.1875
BR3984	BR3920	2.6250	1.1830	0.1400	4.4375	0.9375	0.1300	0.2500	1.1875
BR418	414-A ¹	1.5000	1.1450	0.1400	3.4843	0.8750	0.1300	0.1875	1.0625
BR42687	BR42620	3.0000	1.2205	0.1400	5.0000	0.8750	0.1300	0.3125	1.1875
BR42688	BR42620	3.0000	1.2205	0.2500	5.0000	0.8750	0.1300	0.3125	1.1875
BR440 ¹	BR432	1.5000	1.1772	0.0300	3.7500	0.8750	0.0900	0.2188	1.0938
BR45280	BR45220	1.7500	1.2188	0.0300	4.1250	0.9375	0.1300	0.2500	1.1875
BR45282	BR45220	1.8750	1.2188	0.1400	4.1250	0.9375	0.1300	0.2500	1.1875
BR45284	BR45220	2.0000	1.2188	0.2500	4.1250	0.9375	0.1300	0.2500	1.1875
BR45287	BR45220	2.1250	1.2188	0.0300	4.1250	0.9375	0.1300	0.2500	1.1875
BR4595	BR4536 ¹	2.1250	1.5810	0.1400	4.3750	1.2813	0.1300	0.5000	1.7813
BR462	453-X	2.2500	1.1542	0.0900	4.1250	0.9687	0.1300	0.2188	1.1875
BR47678	BR47620	3.0000	1.3125	0.2500	5.2500	1.0313	0.1300	0.2812	1.3125
BR47679	BR47620	3.0000	1.3125	0.1400	5.2500	1.0313	0.1300	0.2812	1.3125
BR47686	BR47620	3.2500	1.3125	0.1400	5.2500	1.0313	0.1300	0.2812	1.3125
BR47890	BR47820	3.6250	1.3750	0.1400	5.7500	1.0313	0.1300	0.2812	1.3125
BR479 ¹	472-A	2.6250	1.1420	0.0900	4.7240	0.9230	0.1300	0.2188	1.1418
BR52400	BR52618	4.0000	1.4219	0.1400	6.1875	1.0313	0.1300	0.4062	1.4375
BR52401	BR52637	4.0000	1.4219	0.3100	6.3750	1.0313	0.1300	0.4062	1.4375
BR526 ¹	BR522	1.6250	1.4200	0.1400	4.0000	1.0625	0.1300	0.3125	1.3750
BR528	BR522	1.8750	1.4200	0.1400	4.0000	1.0625	0.1300	0.3125	1.3750
BR537	532-A	2.0000	1.4550	0.1400	4.3750	1.1875	0.1300	0.3125	1.5000
BR5557 ¹	BR5520	2.6875	2.0355	0.1400	4.7343	1.4375	0.1300	0.6250	2.0625
BR559	552-A	2.5000	1.4440	0.1400	4.8750	1.1875	0.1300	0.3125	1.5000

¹No longer available—reference only

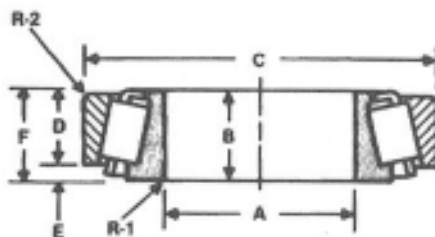
Bearings - (cont.)



Cone part no.	Cup part no.	Cone			Cup			Stand-out (E)	Set width (F)
		I.D. (A)	Length (B)	Radius (R-1)	O.D. (C)	Length (D)	Radius (R-2)		
BR560	552-A	2.6250	1.4440	0.1400	4.8750	1.1875	0.1300	0.3125	1.5000
BR560	553-X	2.6250	1.4440	0.1400	4.1825	1.1875	0.1300	0.3125	1.5000
BR567	BR563	2.8750	1.4240	0.1400	5.0000	1.1250	0.1300	0.3125	1.4375
BR568	BR563	2.9062	1.4240	0.0300	5.0000	1.1250	0.1300	0.3125	1.4375
BR575	BR572	3.0000	1.4212	0.1400	5.5115	1.1250	0.1300	0.3125	1.4375
BR5760	BR5735	3.0000	1.8150	0.1400	5.3438	1.3750	0.1300	0.3750	1.7500
BR580	BR572	3.2500	1.4212	0.1400	5.5115	1.1250	0.1300	0.3125	1.4375
BR582	BR572	3.2500	1.4212	0.2700	5.5115	1.1250	0.1300	0.3125	1.4375
BR593	592-A	3.5000	1.4300	0.1400	6.0000	1.1875	0.1300	0.3750	1.5625
BR594	592-A	3.7500	1.4300	0.1400	6.0000	1.1875	0.1300	0.3750	1.5625
BR595	592-A	3.2500	1.4300	0.1400	6.0000	1.1875	0.1300	0.3750	1.5625
BR596	592-A	3.3750	1.4300	0.1400	6.0000	1.1875	0.1300	0.3750	1.5625
BR598	592-A	3.6250	1.4300	0.1400	6.0000	1.1875	0.1300	0.3750	1.5625
BR621	612 ¹	2.1250	1.6250	0.1400	4.7500	1.2500	0.1300	0.3750	1.6250
BR6379	BR6320	2.5625	2.2050	0.1400	5.3447	1.7500	0.1300	0.3750	2.1250
BR6386	BR6320	2.6250	2.2050	0.1700	5.3447	1.7500	0.1300	0.3750	2.1250
BR6389	BR6320	2.6250	2.2050	0.2500	5.3447	1.7500	0.1300	0.3750	2.1250
BR639	BR633	2.5000	1.6250	0.1400	5.1250	1.2500	0.1300	0.3750	1.6250
BR641	BR632	2.6250	1.6250	0.1400	5.3750	1.2500	0.1300	0.3750	1.6250
BR641	BR633	2.6250	1.6250	0.1400	5.1250	1.2500	0.1300	0.3750	1.6250
BR643	BR632	2.7500	1.6250	0.1400	5.3750	1.2500	0.1300	0.3750	1.6250
BR6461	BR6420	3.0000	2.1350	0.1400	5.8750	1.7500	0.1300	0.3750	2.1250
BR65385 ¹	BR65320	1.7500	1.7500	0.1400	4.5000	1.3750	0.1300	0.3750	1.7500
BR6559 ¹	BR6535	3.2500	2.1693	0.1400	6.3750	1.6875	0.1300	0.4375	2.1250
BR6580	BR6535	3.5000	2.1693	0.1400	6.3750	1.6875	0.1300	0.4375	2.1250
BR659 ¹	BR653	3.0000	1.6250	0.1400	5.7500	1.2500	0.1300	0.3750	1.6250
BR663	BR652	3.2500	1.6250	0.1400	6.0000	1.2500	0.1300	0.3750	1.6250
BR663	BR653	3.2500	1.6250	0.1400	5.7500	1.2500	0.1300	0.3750	1.6250
BR664 ¹	BR652	3.3125	1.6250	0.1400	6.0000	1.2500	0.1300	0.3750	1.6250
BR665	BR652	3.3750	1.6250	0.1400	6.0000	1.2500	0.1300	0.3750	1.6250
BR665	BR653	3.3750	1.6250	0.1400	5.7500	1.2500	0.1300	0.3750	1.6250
BR68462	BR68712	4.6250	1.2500	0.1400	7.1250	1.0000	0.1300	0.3750	1.3750

¹No longer available—reference only

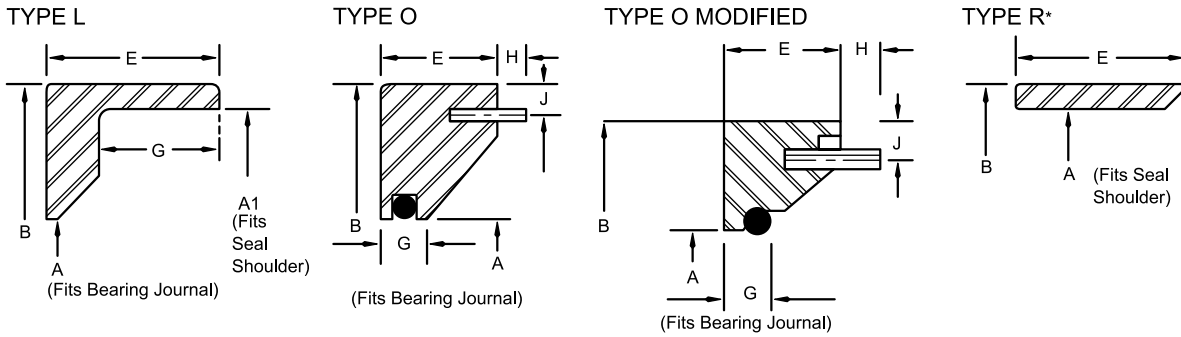
Bearings - (cont.)



Cone part no.	Cup part no.	Cone			Cup			Stand-out (E)	Set width (F)
		I.D. (A)	Length (B)	Radius (R-1)	O.D. (C)	Length (D)	Radius (R-2)		
BR687	BR672	4.0000	1.6250	0.1400	6.6250	1.1875	0.1300	0.4375	1.6250
BR740	BR742	3.1875	1.8375	0.2000	5.9090	1.4375	0.1300	0.3125	1.7500
BR749	BR742	3.3475	1.8375	0.1400	5.9090	1.4375	0.1300	0.3125	1.7500
BR758 ¹	BR752	3.3750	1.9000	0.1400	6.3750	1.5000	0.1300	0.3750	1.8750
BR759	BR752	3.5000	1.9000	0.1400	6.3750	1.5000	0.1300	0.3750	1.8750
BR760	BR752	3.5625	1.9000	0.1400	6.3750	1.5000	0.1300	0.3750	1.8750
BR776	BR772	3.7500	1.8900	0.1400	7.1250	1.5000	0.1300	0.3750	1.8750
BR780	BR772	4.0000	1.8900	0.1400	7.1250	1.5000	0.1300	0.3750	1.8750
H715345	H715311	2.8125	1.8125	0.1400	5.3750	1.4375	0.1300	0.3750	1.1825
HH506348	HH506310	1.9375	1.7500	0.1400	4.5000	1.4200	0.1300	0.3300	1.7500
HM212044	HM212011	2.3750	1.5100	0.3100	4.8125	1.1700	0.1300	0.3300	1.5000
HM212046	HM212011	2.5000	1.5100	0.1400	4.8125	1.1700	0.1300	0.3300	1.5000
HM212047	HM212011	2.5000	1.5100	0.1400	4.8125	1.1700	0.1300	0.3300	1.5000
HM212049	HM212011	2.6250	1.5100	0.1400	4.8125	1.1700	0.1300	0.3300	1.5000
HM212049-X	HM212011	2.6250	1.5100	0.2800	4.8125	1.1700	0.1300	0.3300	1.5000
HM218248	HM218210	3.5433	1.5748	0.2800	5.7874	1.2795	0.1400	0.2953	1.5748
HM516449 ¹	HM516410	3.2500	1.5625	0.1400	5.2500	1.2813	0.1300	0.2812	1.5625
HM516449-C	HM516410	3.2500	1.5625	0.1400	5.2500	1.2813	0.1300	0.2812	1.5625
HM518445	HM518410	3.5000	1.5625	0.2500	6.0000	1.1875	0.1300	0.3750	1.5625
HM518445	HM518410	3.5000	1.5625	0.2500	6.0000	1.1875	0.1300	0.3750	1.5625
HM617049	HM617010	3.3750	1.6875	0.1900	5.5960	1.3438	0.1200	0.3437	1.6875
JM205149-A	JM205110	1.9685	1.1024	0.2000	3.5433	0.9055	0.1000	0.1185	1.0240
JM207049-A	JM207010	2.1654	1.1417	0.2400	3.7402	0.9250	0.1000	0.2167	1.1417
JM511946	JM511910	2.5591	1.1024	0.1200	4.3307	0.8858	0.1000	0.2166	1.1024
JM718149	JM718110	3.5433	1.3386	0.1200	5.7087	1.0630	0.1000	0.3150	1.3780
JM719149	JM719113	3.7402	1.3386	0.1200	5.9055	1.0630	0.1000	0.3150	1.3780

¹No longer available—reference only

Bearing spacers

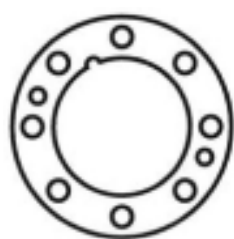


Part no.	Replacement O-ring		I.D. (A)	O.D. (B)	Overall width (E)	Width (G)	Ext. (H)	(J)	Type
	Part no.	Std. ARP no. (2)							
450208	717152	6230-16	3.502	4.635	0.625	0.313	0.250	0.192	O
455019	(1)	—	3.583 (A1) 4.557	4.875	0.750	0.594	—	—	L
455024*	(1)	—	3.836	4.250	0.940	—	—	—	R*
455031	717155	568-231	2.629	4.000	0.750	0.375	0.250	0.250	O (Mod.)
455054	(1)	—	4.752 (A1) 5.226	5.500	0.812	0.662	—	—	L
456301	717155	568-231	2.629	4.000	0.750	0.237	0.250	0.250	O

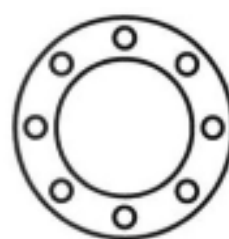
(1) No O-ring required

* Adhesive recommended

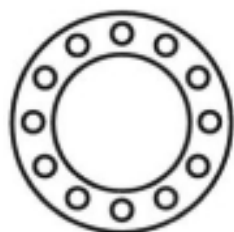
Drive axle flange gaskets



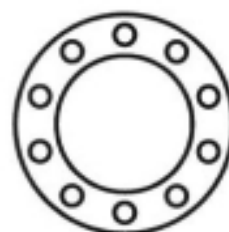
Type
1
8 Hole



Type
2
8 Hole



Type
3
12 Hole



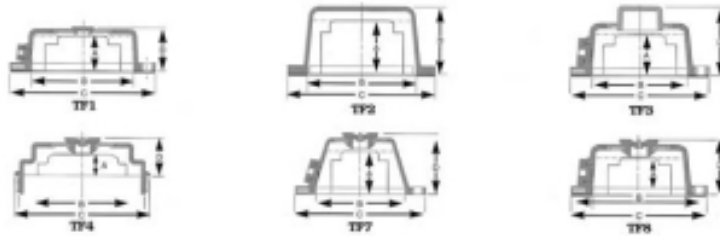
Type
4
10 Hole

Part no.	Type	I.D.	O.D.	Bolt circle	Hole size	No. of holes
450802	4	5.875	8.500	7.250	0.609	10
450874	2	5.500	8.625	7.000	0.813	8
450876	2	6.000	8.250	7.000	0.625	8
450877	1	5.625	8.500	7.000	0.750	8
450879	2	4.500	6.125	5.313	0.500	8
450980	2	5.375	7.375	6.375	0.563	8
450981	2	5.750	8.375	7.000	0.625	8
450982	2	4.000	6.438	5.500	0.625	8
450983	3	4.500	6.063	5.250	0.500	12

Scotseal® TF oil hubcaps

How to determine correct hubcap for mounting

Bolt-on-caps: Count the number of mounting holes, measure diameter of bolts; measure bolt circle (select 2 holes opposite each other and measure from the center of one bolt hole to the center of the one opposite).



Part no.				Bolt holes	Hole size	Bolt circle	Max. axle Ext. (A)	Hubcap size			Type
Hubcap kit	Replacement							I.D. (B)	O.D. (C)	Height (D)	
	Gasket	Plug	Side fill								
1282 ²	454051	450434	-	6.250 x 8.000 O.D.	Threaded	1.500	6.060	6.875	1.875	TF4	
1600 ³	453795	-	453770	6	0.349	5.500-5.562	1.957	4.412	6.250	3.082	TF3
1601 ³	453818	-	453770	5	0.349	5.500	1.887	4.420	6.250	3.012	TF3
1608 ¹	453868	453879	453811	4	0.349	3.625	1.745	2.380	4.313	2.024	TF8
1612 ¹	453869	453807	453811	6	0.349	4.500	1.817	3.480	5.250	2.609	TF8
1613 ¹	453795	453879	453942	6	0.349	5.500-5.562	1.561	4.365	6.250	1.643	TF1
1623	453909	450434	453770	6	0.349	5.125-5.250	2.064	4.112	6.000	2.632	TF8
1627	-	450434	453770	3	0.416	5.250	2.064	4.112	6.000	2.632	TF8
1630 ¹	453795	453807	453811	6	0.349	5.500-5.562	2.157	4.270	6.250	2.727	TF7
1640	453795	-	-	6	0.349	5.500-5.562	1.703	4.420	6.250	2.161	TF2
1642	453818	450434	453770	5	0.349	5.500	1.667	4.420	6.250	2.469	TF8
1643	453795	450434	453770	6	0.349	5.500-5.562	1.667	4.420	6.250	2.469	TF8
1644 ¹	453795	453807	453811	6	0.349	5.500-5.562	1.667	4.420	6.250	2.469	TF8
1665	453909	450434	453770	6	0.349	5.125-5.250	1.337	4.112	6.000	1.905	TF8
1669 ¹	453918	453813	453819	6	0.349	5.875	1.260	4.695	6.580	1.600	TF8
1670 ¹	453825	450434	453770	6	0.286	6.625	1.775	5.506	7.344	2.564	TF8
1681	453915	450434	453770	4	0.349	5.500	1.312	4.040	5.615	2.100	TF8
1691 ¹	453795	453879	453942	6	0.349	5.500-5.562	1.044	4.237	6.250	1.397	TF1
1696	450799	450434	453770	6	0.349	6.750	2.887	5.625	7.500	3.805	TF8
1698	453906	450434	453770	6	0.416	6.000	1.937	4.980	6.750	2.507	TF8
1733 ²	450293	450434	-	6	0.343	5.500	2.393	4.333	6.250	3.131	-
1943 ⁴	453795	-	453770(2)	6	0.349	5.500-5.562	1.703	4.420	6.250	2.431	TF5
1996 ⁴	450799	-	453770(2)	6	0.349	6.750	2.805	5.627	7.500	3.640	TF5

¹ Black

² Lexan design

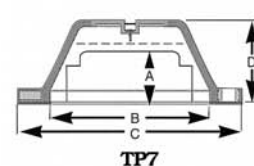
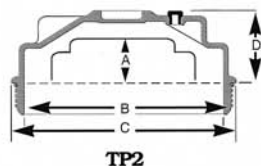
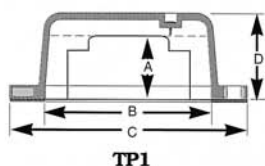
³ Hubodometer mount design

⁴ Designed for PSI system

Grease (tamper-proof) hubcaps

How to determine correct hubcap for mounting

Bolt-on-caps: Count the number of mounting holes, measure diameter of bolts; measure bolt circle (select 2 holes opposite each other and measure from the center of one bolt hole to the center of the one opposite).



Part no.					Max. axle	Hubcap size			
Hubcap kit	Replacement gasket	Bolt holes	Hole size	Bolt circle	Ext. (A)	I.D. (B)	O.D. (C)	Height (D)	Type
1284 ¹	454051	6.250 x 8.000 O.D.		Threaded	1.500	6.060	6.875	1.875	TP2
1300	453963	6	0.349	5.000-5.562	1.703	4.420	6.250	2.161	TP1
1311	453869	6	0.349	4.500	1.878	3.480	5.250	2.370	TP1
1331	453795	6	0.349	5.500-5.562	2.081	4.267	6.250	2.727	TP7
1343	453795	6	0.349	5.500-5.562	1.703	4.420	6.250	2.161	TP1
1396	450799	6	0.349	6.750	2.805	5.627	7.500	3.370	TP1
1399	450799	6	0.349	6.750	2.805	5.627	7.500	3.370	TP1
1443 ²	453795	6	0.349	5.500-5.562	1.703	4.420	6.250	2.431	TP5
1499 ²	450799	6	0.349	6.750	2.805	5.627	7.500	3.640	TP5

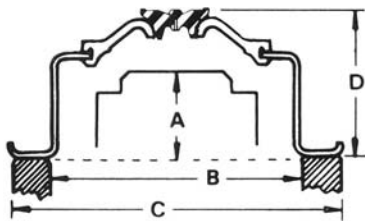
¹ Black

² Designed for PSI system

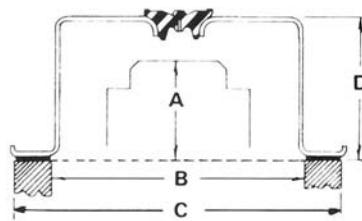
Steel hubcap specifications numerical list

How to determine correct hubcap for mounting

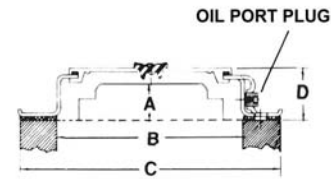
Bolt-on-caps: Count the number of mounting holes, measure diameter of bolts; measure bolt circle (select 2 holes opposite each other and measure from the center of one bolt hole to the center of the one opposite).



TYPE H3



TYPE H4



TYPE H6

Part no.			Bolt holes	Bolt size	Bolt circle	Max. axle Ext. (A)	Hubcap size			Type
Hubcap kit	Replacement Gasket	Plug					I.D. (B)	O.D. (C)	Height (D)	
1702	-	450434	6	0.349	5.875	1.835	4.525	7.000	2.790	H3
1703	450781	453813	6	0.349	5.562	1.625	4.540	6.625	1.943	H6
1711	450755	450434	6	0.349	4.500	1.688	3.413	5.250	2.671	H3
1715	-	450434	4	0.281	5.000	2.315	3.912	6.250	3.266	H3
1723	450748	450434	6	0.344	5.125	2.315	3.912	6.000	3.270	H3
1727	450777	450434	3	0.346	5.250	2.315	3.912	6.250	3.270	H3
1742	450775	450434	5	0.344	5.500	1.835	4.525	6.313	2.820	H3
1743	453795	450434	6	0.313	5.500	1.835	4.525	6.313	2.790	H3
1744 ¹	453795	450434	6	0.349	5.500	1.742	4.525	6.313	2.683	H3
1753	453795	450434	6	0.349	5.500	1.835	4.525	6.320	2.704	H4
1754	450760	450434	8	0.406	7.750	2.000	5.625	8.750	2.919	H3
1765	450748	450434	6	0.344	5.125	1.190	4.288	6.625	2.145	H3
1770	450768	450434	6	0.281	6.625	1.835	4.540	7.313	2.655	H3
1787	-	453813	6	0.344	5.875	1.485	4.540	6.875	1.808	H6
1788	450788	453813	6	0.344	5.500	1.485	4.540	6.625	1.808	H6
1790	450788	453813	6	0.344	5.500	0.995	4.540	6.625	1.333	H6
1796	450799	450434	6	0.328	6.750	2.192	5.290	7.710	3.040	H4
1798	450752	450617	6	0.406	6.000	2.250	4.970	6.938	3.205	H3
1799	450799	450434	6	0.328	6.750	2.086	5.290	7.710	3.147	H3

¹ Black

Hubcap bolt circle reference

Bolt-on-caps: Count the number of mounting holes, measure diameter of bolts; measure bolt circle (select 2 holes opposite each other and measure from the center of one bolt hole to the center of the one opposite).

Screw-on-caps: Male threads; measure O.D. and determine the number of threads per inch.

Bolt circle	Bolt holes	Hole size	Max. axle Ext. (A)	Hubcap size			Type	Hubcap kit	Style	Application
				I.D. (B)	O.D. (C)	Height (D)				
3.625	4	.349	1.745	2.380	4.313	2.024	TF8	1608 ²	Zytel	Oil
4.500	6	.349	1.688	3.413	5.250	2.671	H3	1711	Steel	Oil
4.500	6	.349	1.817	3.480	5.250	2.609	TF8	1612 ²	Zytel	Oil
4.500	6	.349	1.878	3.480	5.250	2.370	TP1	1311	Zytel	Grease
5.000	4	.281	2.315	3.912	6.250	3.266	H3	1715	Steel	Oil
5.125	6	.344	2.315	3.912	6.000	3.270	H3	1723	Steel	Oil
5.125	6	.344	1.190	4.288	6.625	2.145	H3	1765	Steel	Oil
5.125-5.250	6	.349	1.337	4.112	6.000	1.905	TF8	1665	Zytel	Oil
5.125-5.250	6	.349	2.064	4.112	6.000	2.632	TF8	1623	Zytel	Oil
5.250	3	.346	2.315	3.912	6.250	3.270	H3	1727	Steel	Oil
5.250	3	.416	2.064	4.112	6.000	2.632	TF8	1627	Zytel	Oil
5.500	4	.349	1.312	4.060	5.615	2.100	TF8	1681	Zytel	Oil
5.500	5	.344	1.835	4.525	6.313	2.820	H3	1742	Steel	Oil
5.500	5	.349	1.887	4.420	6.250	3.012	TF3	1601 ¹	Zytel	Oil
5.500	5	.349	1.667	4.420	6.250	2.469	TF8	1642	Zytel	Oil
5.500	6	.313	1.835	4.525	6.313	2.790	H3	1743	Steel	Oil
5.500	6	.349	1.742	4.525	6.313	2.683	H3	1744 ²	Steel	Oil
5.500	6	.349	1.835	4.525	6.320	2.704	H4	1753	Steel	Oil
5.500	6	.344	.995	4.540	6.625	1.333	H6	1790	Steel	Oil
5.500	6	.344	1.485	4.540	6.625	1.808	H6	1788	Steel	Oil
5.500	6	.343	4.333	4.750	6.250	3.131	-	1733	Lexan	Oil
5.500-5.562	6	.349	1.044	4.237	6.250	1.397	TF1	1691 ²	Zytel	Oil
5.500-5.562	6	.349	1.561	4.365	6.250	1.643	TF1	1613 ²	Zytel	Oil
5.500-5.562	6	.349	1.703	4.420	6.250	2.469	TF2	1640	Zytel	Oil
5.500-5.562	6	.349	1.957	4.412	6.250	3.082	TF3	1600 ¹	Zytel	Oil
5.500-5.562	6	.349	2.157	4.270	6.250	2.727	TF7	1630 ²	Zytel	Oil
5.500-5.562	6	.349	1.667	4.420	6.250	2.469	TF8	1643	Zytel	Oil
5.500-5.562	6	.349	1.730	4.420	6.250	2.431	TF5	1943 ³	Zytel	Oil
5.500-5.562	6	.349	1.730	4.420	6.250	2.431	TP5	1443 ³	Zytel	Grease
5.500-5.562	6	.349	1.667	4.420	6.250	2.469	TF8	1644 ²	Zytel	Oil
5.500-5.625	6	.349	1.703	4.420	6.250	2.161	TP1	1343	Zytel	Grease
5.500-5.625	6	.349	1.703	4.420	6.250	2.161	TP1	1300 ¹	Zytel	Grease

¹ Black² Lexan design³ Hubodometer mount design⁴ Designed for PSI system

Hubcap bolt circle reference - (cont.)

Bolt circle	Bolt holes	Hole size	Max. axle	Hubcap size			Type	Hubcap kit	Style	Application
			Ext. (A)	I.D. (B)	O.D. (C)	Height (D)				
5.500-5.625	6	.349	2.081	4.267	6.250	2.727	TP7	1331	Zytel	Grease
5.562	6	.349	1.625	4.540	6.625	1.943	H6	1703	Steel	Oil
5.875	6	.349	1.835	4.525	7.000	2.790	H3	1702	Steel	Oil
5.875	6	.344	1.485	4.540	6.875	1.808	H6	1787	Steel	Oil
5.875	6	.349	1.260	4.695	6.580	1.160	TF8	1669¹	Zytel	Oil
6.000	6	.406	2.250	4.970	6.938	3.205	H3	1798	Steel	Oil
6.000	6	.416	1.937	4.980	6.750	2.507	TF8	1698	Zytel	Oil
6.625	6	.281	1.835	4.540	7.313	2.655	H3	1770	Steel	Oil
6.625	6	.286	1.835	5.506	7.344	2.564	TF8	1670¹	Zytel	Oil
6.750	6	.349	2.805	5.627	7.500	3.640	TF5	1996⁴	Zytel	Oil
6.750	6	.349	2.805	5.627	7.500	3.650	TP5	1499⁴	Zytel	Grease
6.750	6	.328	2.086	5.290	7.710	3.147	H3	1799	Steel	Oil
6.750	6	.328	2.192	5.290	7.710	3.040	H4	1796	Steel	Oil
6.750	6	.349	2.887	5.625	7.500	3.805	TF8	1696	Zytel	Oil
6.750	6	.349	2.805	5.627	7.500	2.370	TP1	1399	Zytel	Grease
6.750	6	.349	2.805	5.627	7.500	3.370	TP1	1396³	Zytel	Grease
7.750	8	.406	2.000	5.625	8.750	2.919	H3	1754	Steel	Oil
Threaded	6.250 x 8.000 O.D.		1.500	6.060	6.875	1.875	TP2	1284¹	Lexan	Grease
Threaded	6.250 x 8.000 O.D.		1.500	6.060	6.875	1.875	TF4	1282	Lexan Clear	Oil

¹ Black

² Lexan design

³ Hubdrometer mount design

⁴ Designed for PSI system

Hubcap gasket specifications numerical list

Gasket	I.D.	O.D.	Bolt circle	No. of holes	Hole size	Used with
450293	4.500	6.250	5.500	6	0.328	1733
450748	4.500	5.875	5.125	6	0.328	1723, 1765
450752	5.000	6.875	6.000	6	0.390	1698, 1798
450755	3.750	5.125	4.500	6	0.328	1611, 1711, 1811
450768	5.000	7.313	6.625	6	0.265	1770
450775	4.500	6.125	5.500	5	0.328	1742
450777	4.500	6.125	5.250	3	0.390	1727
450781	4.500	6.625	5.563	6	0.328	1703
450782	4.500	6.250	5.500	12	0.328	*
450788	5.500	6.625	5.500	6	0.328	1788, 1790
450799	5.550	7.625	6.750	6	0.328	1399, 1499, 1696, 1799
453795	4.500	6.125	5.500-5.562	6	0.375	1443, 1600, 1613, 1630, 1640, 1643, 1644, 1691, 1943
453818	4.500	6.125	5.500	5	0.344	1362, 1601, 1642
453825	5.550	7.312	6.625	6	0.265	1670
453868	2.500	4.250	3.625	4	0.344	1608
453869	3.500	5.125	4.500	6	0.328	1611, 1612
453906	5.125	6.625	6.000	6	0.390	1698
453909	4.250	5.812	5.125-5.250	6	0.349	1623, 1665
453915	4.250	5.500	5.000	4	0.349	1681
453918	4.321	6.500	5.875	6	0.328	1669

* Universal Gasket

Hubcap gasket bolt circle reference

How to determine gasket required

Count the number of mounting holes; measure diameter of bolts; measure bolt circle (select 2 holes opposite each other and measure from the center of one bolt hole to the center of the one opposite).

Bolt circle	Hole size	No. of holes	I.D.	O.D.	Used with	Gasket
3.625	0.344	4	2.500	4.250	1608	453868
4.500	0.328	6	3.750	5.125	1611, 1711	450755
4.500	0.328	6	3.500	5.125	1612, 1611	453869
5.000	0.349	4	4.250	5.500	1681	453915
5.125	0.328	6	4.500	5.875	1723, 1765	450748
5.125 - 5.250	0.349	6	4.250	5.812	1623, 1665	453909
5.250	0.390	3	4.500	6.125	1727	450777
5.500	0.328	5	4.500	6.125	1742	450775
5.500	0.328	6	4.500	6.250	1733	450293
5.500	0.328	12	4.500	6.250	*	450782
5.500	0.328	6	5.500	6.625	1788, 1790	450788
5.500	0.344	5	4.500	6.125	1362, 1601, 1642	453818
5.500 - 5.562	0.375	6	4.500	6.125	1443, 1600, 1613, 1630, 1640, 1643, 1644, 1691, 1943	453795
5.563	0.328	6	4.500	6.625	1703	450781
5.875	0.328	6	4.321	6.500	1669	453918
6.000	0.390	6	5.000	6.875	1798	450752
6.000	0.390	6	5.125	6.625	1698	453906
6.625	0.265	6	5.000	7.313	1770	450768
6.625	0.265	6	5.550	7.312	1670	453825
6.750	0.328	6	5.510	7.625	1399, 1499, 1696, 1799, 1996	450799

* Universal Gasket

How to use the competitor & manufacturer interchange

About

This interchange provides a fast conversion of manufacturer or competitor numbers to the SKF equivalent. Please note that many interchanges are made on an application basis and may not be identical in style or type. Whenever possible refer to the *SKF Seal Handbook* (457010) or the *SKF Bearing Specification Catalog* (457018) to assure proper specifications, and the *Passenger Car & Light Truck Catalog* (457205) to assure proper application information. For hubcap specifications, refer to the specifications section of this catalog.

Instructions

Locate the competitor or manufacturer part number in the left hand column. These numbers are listed in left-to-right alpha/numeric sequence. After the number has been found, note the name description next to the number. If this is the combination you require, continue reading across to find the proper Scotseal® or hubcap number(s). Any special instructions are listed in regular type below these numbers.

For non-oil-bath-type SKF seal interchanges, refer to the *SKF Master Seal Interchange* (457012).

Note: Oil bath seal interchanges reference Scotseal *Classic* and *PlusXL* numbers only. To determine the available Scotseal *Longlife* equivalents, see the Scotseal family quick reference interchange.

Examples

2ER679..OSHKOSH.....	1733 ²	88AX305..MACK.....	•39979	FAE-16-RK-YY..MECHNX/BARRIER
2ER915..OSHKOSH.....	•39979	39988 36285
.....	39988 w/455031 or 40049
2ER916..OSHKOSH.....	•40091	88AX325..MACK..... w/ OEM ring
.....	40086	88AX326..MACK.....	43865
.....	43865

Explanation of symbols

None:	Scotseal <i>Classic</i>	3	Grease (tamper-proof) hubcap
•	Scotseal <i>PlusXL</i>	4	Lexan® hubcap
1	Zytel® hubcap		
2	Steel hubcap		

Zytel is a DuPont material.
Lexan is a GE material.

Index of abbreviated names

Abbreviation	Manufacturer	Abbreviation	Manufacturer	Abbreviation	Manufacturer
ABD	American Brg.	GEMMER	Gemmer	SISU	SISU
ABI	Automotive Bearings International	GKN	GKN	SKF	SKF - Seals
ACEADCO	ACEADCO	GMC	General Motor Corp	SLD PWR	Sealed Power - Seals
ACF	ACF	GOV ISRA	Government of Israel	SNR	SNR
AGCO	AGCO Parts Div.	GRACO	Graco Industries	SPICER	Spicer (Dana)
AM GEN	American General	GREAT DANE	Great Dane	SS TANK	Stainless Tank & Equipment
AM LAFR	American La France	GREEN BALL BEARING	Green Ball	STEFA	Stefa
AM TRLR	American Trailer		Bearing	STEIGER	Steiger Tractor
APU	Auto Parts Unlimited	GREYHND	Greyhound	STEMCO	STEMCO
ARTS WAY	Arts Way Mfg. Co.	GUNITE CORP	Gunite Corp	STERLING	Sterling
ARVIN MERITOR	ArvinMeritor	HAY-DAN	Hayes-Dana	STOUGHTON	Stoughton Trailer OEM
ATHY PR	Athey Products	HEIL	Heil	STRICK	Strick
AURORA PUMP	Aurora Pump	HENDKSN	Hendrickson	SYS & ELEC INC	Systems & Electronics
AUTOCAR	Autocar	HYSTER	Hyster	TCM	Transcom Inc (TCM)
BEDFORD	Bedford	HYUNDAI	Hyundai	TELEDYNE	Teledyne
BLUEBIRD	Bluebird Body Inc	IMPERIAL	Imperial	TIMKENSEALS	Timkenseals
BOS	BOS Automotive Products	J DEERE	Deere, John	TOWMTR	Townmotor
BRENNER	Brenner Tank Inc	J-M CLIPPER	J M Clipper	TRAILMO	Trailmobile
BRG INC	Bearings Inc	KAMAN	Kaman Industrial Tech	TRAILOR	Traylor
BROCKWAY	Brockway	KENTMFG	Kentucky Mfg.	TRISEAL	Triseal
BUR WOOD	Burton Woods	KENWTH	Kenworth	TROSTEL	Trostel
CALDWELL	Caldwell & Sons	KING	King Equip Wood - CAN	TU TRLR	Utility Trailer
CAN TIRE	Canadian Tire (CAN)	L & S	L & S - Seals	UAP SEALS	UAP Seals
CAR QUEST	CAR QUEST	LUFKIN	Lufkin Ind Inc	UNIVERSAL COACH	Universal Coach
CATPLR	Caterpillar	MACK	Mack	UOS	UOS
CED RAP	Cedar Rapids	MAN AXLE	MAN Axle	VICTOR	Victor (Autom)
CHAMP RD	Champion Road	MARLEY	Marley	VOLVO	Volvo
	Machinery	MARMON	Marmon-Herrington	VOLVO TRK NA	Volvo Truck NA
CHAS MA	Charles Machine Works	MASS-FER	Massey-Ferguson	VOLVO/GMC/WHITE TRK	Volvo-GMC-White Truck
CHRI MA	Christensen Machine	MCCORD/JPI	Mccord/JPI	WABASH	Wabash National DDS
CHRYSR	Chrysler		Transportation	WALINGA BDY&COACH LTD	Walinga
CLARK	Clark Equipment	MECHNX/BARRIER	Mechanix/Barrier		Body & Coach
CLARK MELROE	Clark Melroe Co.	MIDLAND	Midland Co.	WALKER	Walker Vehicle
	(County Pkg.)	MINNPAR	MinnPar	WARD LA	Ward La France
CMT	ConMet	MONON	Monon Trailer	WEST ST	Western Star OEM
COOPER AIR	Cooper Air	MOPAR	MOPAR	WHI FRM	White Farm
CR MEX	CR Mexicana	MOT IND	Motion Industries	WHT-TRK	White Truck
CRA CAR	Crane Carrier	MTR-CH	Motor Coach	ZF IND	ZF Ind.
DANA-SPICER	Dana-Spicer Corp.	NATL D AUTO SEAL	National Autom.		
	(Churabusco)		Seals		
DELCO, AC	AC DELCO	NAVISTAR (IHC)	Navistar (IHC)		
DEXTER	Dexter	NOK/FREUD	NOK/Freudenberg		
DIA T	Diamond T	OSHKOSH	Oshkosh Truck Corp.		
DORSEY TRAILER	Dorsey Trailer	PACCAR PARTS	PACCAR Parts		
DUAL DYN	Dual Dynamics	PAI	PAI		
DUN BUS	Dunham Busch	PAYEN	Payen		
DYNA	DYNA	PIERCE CO	Pierce Co.		
EATON	Eaton Corp	PINES	Pines Trailer DDS		
FAG - CANADA - SEALS	FAG -	PIONEER WESTERN	Pioneer		
	Canada -		Western		
	Seals	PREC. IND.	Precision Industries		
FEDERAL	Federal	PRO FIT	PRO FIT		
FEL-PRO	Fel-pro	PRONTO	Pronto		
FIAT-ALS	FIAT-ALLIS	PTRBLT	Peterbilt		
FITZG	Fitzgerald	PWR TRN COMP	Power Train		
FLAIR	Flair Mfg		Component		
FLEX	Flxible	QUAL RUN	Quality Running Gear		
FONTAINE	Fontaine Trailer	R.O.R.	R.O.R.		
FORD	Ford	REDNECK	Redneck Trailer Supply		
FRANKLIN	Franklin	RENAULT	Renault		
FRT-LNR	Freightliner	REO	REO		
FRUHAUF	Fruehauf	ROCKWELL	Rockwell Int'l		
FSN	Federal Stock No.	R-STD	Rockwell Standard		
FWD	Four Wheel Drive	SCHWARTZ	Schwartz		
GAR WOD	Gar Wood	SHULER	Shuler		

Competitor & manufacturer interchange

Mfr. no.	Mfr.	Part no.	Mfr. no.	Mfr.	Part no.	Mfr. no.	Mfr.	Part no.
013-8261-0	CAN TIRE	•34384	02-7109091	WHT-TRK	•46300	070HH172	SPICER	•38776
		34387			46305			38780
016-1261-6	CAN TIRE	•34384	02-7109096	WHT-TRK	•46300	1.17027E+97	NAVISTAR (IHC)	39380
020-04857	GREAT DANE	1643 ¹			46305	1.17029E+97	NAVISTAR (IHC)	•35058
		1743 ²	02-7114428	WHT-TRK	•35058			35066
02-01244P1	WARD LA	•35058			35066	10003610	CMT	•47692
		35066	02-7120703Y	WHT-TRK	36285			47697
02-02840	KENWTH	•40129	02-7125745	WHT-TRK	•43761	10003818	CMT	•46300
		40136			43764			46305
02-7003942	WHT-TRK	1643 ¹	02-7125816	VOLVO/GMC/WHITE TRK		10003889	HYUNDAI	•46300
		1743 ²			•47692			46305
02-7003945	WHT-TRK	•47692			47697	10003911	CMT	•35058
		47697	02-7125816	WHT-TRK	•47692			35066
02-7021377	WHT-TRK	•38776			47697	10005430	CMT	•35058
		38780	02-7127438	WHT-TRK	•46300			35066
02-7021378	WHT-TRK	•38776			46305	10005431	CMT	•47691
		38780	02-7128839	WHT-TRK	•47692	10005432	CMT	•46300
02-7021808	WHT-TRK	•35058			47697			46305
		35066	02-7129422	WHT-TRK	•46300	10005433	CMT	•42627
02-7022919	WHT-TRK	•35058			46305			42623
		35066	02-7131626	WHT-TRK	•46300	10007459	HYUNDAI	•42627
02-7023479	WHT-TRK	1643 ¹			46305			42623
		1743 ²	02-7134964	WHT-TRK	1643 ¹	10008717	CMT	•47691
02-7068936	WHT-TRK	•43761			1743 ²	10008722	CMT	•43761
		43764	02-7201808	WHT-TRK	•35058			43764
02-7073109	WHT-TRK	•42627			35066	10008794	CMT	•42627
		42623	03-02840	KENWTH	•40129			42623
02-7073176	WHT-TRK	•40129			40136	10020083	CMT	•38776
		40136	03-1100596	WHT-TRK	48884			38780
02-7073731	WHT-TRK	•46300	03-1100722	VOLVO TRK NA	•43754	10030D2	REO	48794
		46305			43752	100-50-141	TRAILMO	•40129
02-7074117	WHT-TRK	•42627	03-1100722	WHT-TRK	•43754			40136
		42623			43752	100-50-60	TRAILMO	•46300
02-7074737	WHT-TRK	1787 ²	03-1102267	WHT-TRK	•45157			46305
02-7074738	WHT-TRK	1788 ²			45160	1005503	DEXTER	•46300
02-7074739	WHT-TRK	1643 ¹	03-7360-025	TU TRLR	•46300			46305
		1743 ²			46305	100858201	EATON	•35058
02-7074741	WHT-TRK	36285	042HH100	SPICER	•38776			35066
02-7074743	WHT-TRK	•38776			38780	1008584-01	EATON	•35058
		38780	04-55021-001	STOUGHTON	•46300			35066
02-7074744	WHT-TRK	•40129			46305	10092D6	WHT-TRK	46390
		40136	04-55021-003	STOUGHTON	1733 ²	100W2	REO	1612 ¹
02-7074746	WHT-TRK	39380	04-55088-000	STOUGHTON	•42627			1711 ²
02-7074747	WHT-TRK	43860			42623	1010049	CLARK	•40129
02-7074748	WHT-TRK	35060	04-55089-000	STOUGHTON	1282 ⁴			40136
02-7074750	WHT-TRK	48794	04-55119-000	STOUGHTON	•46300	1010294	CLARK	•46300
02-7074751	WHT-TRK	•46300			46305			46305
		46305	04-55148-000	STOUGHTON	•42627	1010836	CLARK	•40129
02-7074752	WHT-TRK	•43754			42623			40136
		43752	04-9002532	WHT-TRK	43860	1011029	CLARK	1733 ²
02-7074959	WHT-TRK	47699	04-9002532	VOLVO TRK NA	43860	1011802	CLARK	•43754
02-7074960	WHT-TRK	42800	04-9023110	WHT-TRK	•38776			43752
02-7074960	VOLVO TRK NA	42800			38780	1012018	CLARK	•43754
02-7074961	WHT-TRK	43800	0506-15531	LUP, J-M CLIPPER	47699			43752
02-7074962	WHT-TRK	•47692	05-336609	WHT-TRK	•43761	1012028	CLARK	•46300
		47697			43764			46305
02-7105821	WHT-TRK	48884	05-3434003	WHT-TRK	•45157	1012294	CLARK	•46300
		w/455019			45160			46305
02-7108082	WHT-TRK	•43754	06.56289.0331	MAN AXLE	57146	101314	WHT-TRK	48794
		43752			Grease	1-01314	FRT-LNR	48794
02-7108334	WHT-TRK	42800	06.56289.0332	MAN AXLE	57145	102119	CLARK	38709
02-7108900	WHT-TRK	•47692			Grease	10220271	SS TANK	•46300
		47697	06.56289.0334	MAN AXLE	57146			46305
02-7109090	WHT-TRK	•46300			Grease	10220272	SS TANK	•42627
		46305	06.56289.0335	MAN AXLE	57145			42623
					Grease			

INTERCHANGES

COMPETITOR & MANUFACTURER

SCOTSEAL® TO GREASE SEAL

GREASE SEAL TO SCOTSEAL®

BEARING TO SCOTSEAL®

INTERCHANGES

COMPETITOR & MANUFACTURER

SCOTSEAL® TO GREASE SEAL

GREASE SEAL TO SCOTSEAL®

BEARING TO SCOTSEAL®

Mfr. no.	Mfr.	Part no.	Mfr. no.	Mfr.	Part no.	Mfr. no.	Mfr.	Part no.
10220275	SS TANK	1643 ¹	11199A	OSHKOSH	•47692	11CJ0210	AUTOCAR	48884
		1743 ²			47697	11CW0250	AUTOCAR	•47692
102W2	REO	1715 ²	1115959	VOLVO TRK NA	•42627			47697
1032417	VOLVO/GMC/WHITE TRK				42623	11DC0260	AUTOCAR	35060
		1612 ¹	1116157	VOLVO TRK NA	•35058	11DR0260	AUTOCAR	•43761
		1711 ²			35066			43764
1032417	WHT-TRK	1612 ¹	1116158	VOLVO TRK NA	•43761	11FT0260	AUTOCAR	36285
		1711 ²			43764	11FTB0210	AUTOCAR	•47692
1032418	VOLVO TRK NA	1623 ¹	1116159	VOLVO TRK NA	•38776			47697
		1723 ²			38780	11J0260	AUTOCAR	•35058
1032418	WHT-TRK	1623 ¹	1116160	VOLVO/GMC/WHITE TRK				35066
		1723 ²			1643 ¹	11KU146	MACK	50124
1034720	CLARK	•40129			1743 ³	11M0266	AUTOCAR	1623 ¹
		40136	111908R91	NAVISTAR (IHC)	50124			1723 ²
103604	CMT	•35058	111X146X17-1HHI	STEFA	•43754	11N0260	AUTOCAR	•35058
		35066			43752			35066
103605	CMT	•47692	112876R91	NAVISTAR (IHC)	•34384	11R0260	AUTOCAR	•35058
		47697			34387			35066
1039005	CLARK	•40129	1130037	CLARK	•43754	1205A833	R-STD	•40129
		40136			43752			40136
103D6	REO	31307	114093	FWD	•43761	1205B1250	R-STD	•46300
104527	CMT	•46300			43764			46305
		46305	114229	FWD	•47692	1205D1200	R-STD	•40129
104528	CMT	•42627			47697			40136
		42623	114392A107	FWD	1643 ¹	1205J634	R-STD	42800
1046472	WHT-TRK	31281			1743 ³	1205L1338	R-STD	•35058
104W2	REO	1665 ¹	11601766	FSN	42624			35066
		1765 ²	117D6	REO	•40129	1205M1469	R-STD	•43754
1056	DEXTER	31281			40136			43752
10600011	WABASH	•46300	1185839	CATPLR	•35058	121-821	WHT-TRK	35075
		46305			35066	123805R91	NAVISTAR (IHC)	•45157
10600012	WABASH	•46300	1192D6	WHT-TRK	•47692			45160
		46305			47697	124-198PS	WHT-TRK	•45093
10600087	WABASH	•42627	1196233	CHRYSR	38709			45099
		42623	1199B1224	R-STD	47699	1244B632	R-STD	48884
10600088	WABASH	1643 ¹	1199B1614	R-STD	48884			w/455019
		1743 ²			w/455019	1244B692	R-STD	48884
10600091	WABASH	•46300	1199E1669	R-STD	•47692			w/455019
		46305			47697	12546240	GMC	38750
10600385	WABASH	1343 ³	1199J2428	R-STD	47699	12546240	DELCO, AC	38750
106Q0385	WABASH	1343 ³	1199N2926	R-STD	•35058	126369	CHRYSR	39380
107W2	REO	1787 ²			35066	1263697	CHRYSR	39380
108W2	REO	1788 ²	1199U1217	R-STD	•47692	1264D6	REO	39380
109W2	REO	1643 ¹			47697	1266810	CHRYSR	42800
		1743 ²	1199V1296	R-STD	42800	1266D6	REO	•38776
110021R91	NAVISTAR (IHC)	•35058	11A1461	FEDERAL	39380			38780
		35066	11A1466	FEDERAL	42800	1267215	CHRYSR	•35058
1100D6-1	REO	39380	11A1480	FEDERAL	28820			35066
1100D6-11	REO	43860	11A8600	FEDERAL	31307	1268D6	REO	43860
1100D6-13	REO	•45157	11AE0210	AUTOCAR	•35058	1270786	CHRYSR	•40129
		45160			35066			40136
1100D6-15	REO	•40129	11B8381	FEDERAL	•40129	1270D6	REO	•45157
		40136			40136			45160
1100D6-22	REO	•34384	11BE0210	AUTOCAR	•43761	1274D6	REO	42800
		34387			43764	1276D6	REO	•38776
1100D6-23	REO	47699	11BG0210	AUTOCAR	•38776			38780
1100D6-24	REO	•38776			38780	128117	CLARK	46396
		38780	11BH0250	AUTOCAR	47699	1282	FRT-LNR	1282 ⁴
1100D6-3	REO	42800	11BP0250	AUTOCAR	42800	1282CHR	PACCAR PARTS	1282 ⁴
1100D6-5	REO	•47692	11BT0250	AUTOCAR	48884	1282D6	REO	47699
		47697	11C0250	AUTOCAR	•38776	1284CHR	PACCAR PARTS	1284 ⁴
1100D6-7	REO	48884			38780			Grease
1100D6-9	REO	•38776	11CA0260	AUTOCAR	48794	13000	VICTOR	1627 ¹
		38780	11CD0260	AUTOCAR	•43761	13003	VICTOR	1643 ¹
110976	GMC	31244			43764			1743 ²
		w/ OEM ring	11CF0260	AUTOCAR	39380	13004	VICTOR	1643 ¹
110W2	REO	1691 ¹	11CG0210	AUTOCAR	43860			1743 ²
		1790 ²	11CH0210	WHT-TRK	•47692	13007	VICTOR	1642 ¹
					47697			1742 ²

For in-text symbols, see page 6.

1300CHR-149402

Mfr. no.	Mfr.	Part no.	Mfr. no.	Mfr.	Part no.	Mfr. no.	Mfr.	Part no.
1300CHR..PACCAR PARTS		1300 ³	135-26..CRA CAR		•35058	1458-45160S..MACK		•45157
13017..VICTOR		1612 ¹			35066			45160
		1711 ²	135-32..CRA CAR		•35058	1458-46305..MACK		•46300
13019..VICTOR		1715 ²			35066			46305
13023..VICTOR		1670 ¹	135-36..CRA CAR		•35058	1458-46305S..MACK		•46300
		1770 ²			35066			46305
13024..VICTOR		1665 ¹	1354..SHULER		•40129	1458-47699S..MACK		47699
		1765 ²			40136	145SERIES..MECHNX/BARRIER		
13026..VICTOR		1643 ¹	135-40..CRA CAR		•43754			•42627
		1743 ²			43752			42623
13031..VICTOR		1623 ¹	135-41..CRA CAR		48884	147000SERIES..MECHNX/BARRIER		
		1723 ²	135-42..CRA CAR		•40129			•40129
13035..DANA-SPICER		1698 ¹			40136			40136
		1798 ²	135-59..CRA CAR		•43761	147148..BROCKWAY		43860
13035..VICTOR		1698 ¹			43764	147178..BROCKWAY		38709
		1798 ²	1362CHR..PACCAR PARTS		1362 ³	147300W/401216RING..MECHNX/ BARRIER		•40129
13050..VICTOR		1665 ¹	1367270W/370630RING..OSHKOSH		•47692			40136
		1765 ²			47697	147301..MECHNX/BARRIER		•40129
13052..VICTOR		1623 ¹	1367280W/1372170RING..OSHKOSH		48884			40136
		1723 ²			1600 ¹	147302..MECHNX/BARRIER		•40129
13054..VICTOR		1612 ¹	13816851..LUFKIN		•35058			40136
		1711 ²	1391572..BLUEBIRD		35066	147305..MECHNX/BARRIER		•40129
13055..VICTOR		1702 ¹	1396CHR..PACCAR PARTS		1396 ³			40136
13056..VICTOR		1623 ¹	1399..PACCAR PARTS		1399 ³	147315..MECHNX/BARRIER		•40129
		1723 ²	1420066..BRG INC		•45095			40136
13057..VICTOR		1691 ¹			45103	147319..MECHNX/BARRIER		•40129
		1790 ²	1420751..BRG INC		35075			40136
13058..VICTOR		1643 ¹	1423680..BRG INC		36365	147400..MECHNX/BARRIER		•40129
		1743 ²	1426980..BRG INC		•45095			40136
13059..VICTOR		1282 ⁴	1427277..BRG INC		•34971	147401..MECHNX/BARRIER		•40129
1305D6..REO		42800			34975			40136
13061..VICTOR		1665 ¹	1427327..BRG INC		•44916	147402..MECHNX/BARRIER		•40129
		1765 ²			44922			40136
13072..VICTOR		1613 ¹	1433580..BRG INC		43860	147405..MECHNX/BARRIER		•40129
		1703 ²	144002R91..NAVISTAR (IHC)		50124			40136
13073..VICTOR		1643 ¹	144EX659..OSHKOSH		•47692	147419..MECHNX/BARRIER		•40129
		1743 ²			47697			40136
13075..VICTOR		1623 ¹	145000SERIES..MECHNX/BARRIER		•42627	147SERIES..MECHNX/BARRIER		•40129
		1723 ²			42623			40136
13076..VICTOR		1282 ⁴	14506..FEL-PRO		42800	1482959..BRG INC		•45093
13078..VICTOR		1643 ¹	145300W/401222RING..MECHNX/ BARRIER		•42627			45099
		1743 ²			42623	149000SERIES..MECHNX/BARRIER		•43754
13079..VICTOR		1642 ¹	145303..MECHNX/BARRIER		•42627			43752
		1742 ²			42623	14905..FEL-PRO		•45093
13080..VICTOR		1282 ⁴	145400..MECHNX/BARRIER		•42627			45099
13081..VICTOR		1282 ⁴			42623	149300W/401219RING..MECHNX/ BARRIER		•43754
13082..VICTOR		1643 ¹	145403..MECHNX/BARRIER		•42627			43752
		1743 ²			42623	149301..MECHNX/BARRIER		•43754
13083..VICTOR		1642 ¹	145500..MECHNX/BARRIER		•42627			43752
		1742 ²			42623	149302..MECHNX/BARRIER		•43754
13084..VICTOR		1643 ¹	145503..MECHNX/BARRIER		•42627			43752
		1743 ²			42623	149313..MECHNX/BARRIER		•43754
13085..VICTOR		1282 ⁴	145655..MECHNX/BARRIER		•42627			43752
13086..VICTOR		1643 ¹			42623	149318..MECHNX/BARRIER		•43754
		1743 ²	1458-39977..MACK		•39979			43752
1311..FRT-LNR		1311 ³			39988	149319..MECHNX/BARRIER		•43754
1311CHR..PACCAR PARTS		1311 ³	1458-40136..MACK		•40129			43752
13172..VICTOR		1643 ¹			40136	149400..MECHNX/BARRIER		•43754
		1743 ²	1458-42623S..MACK		•42627			43752
131MM-100..DANA-SPICER		•40091			42623	149401..MECHNX/BARRIER		•43754
		40086	1458-43752S..MACK		•43754			43752
1331CHR..PACCAR PARTS		13313			43752	149402..MECHNX/BARRIER		•43754
1343..FRT-LNR		1343 ³	1458-43860S..MACK		43860			43752
1343CHR..PACCAR PARTS		1343 ³						
135-20..CRA CAR		•35058						
		35066						
135-21..CRA CAR		•47692						
		47697						

INTERCHANGES

COMPETITOR & MANUFACTURER

SCOTSEAL® TO GREASE SEAL

GREASE SEAL TO SCOTSEAL®

BEARING TO SCOTSEAL®

INTERCHANGES

COMPETITOR & MANUFACTURER

SCOTSEAL® TO GREASE SEAL

GREASE SEAL TO SCOTSEAL®

BEARING TO SCOTSEAL®

Mfr. no.	Mfr.	Part no.	Mfr. no.	Mfr.	Part no.	Mfr. no.	Mfr.	Part no.
149413	MECHNX/BARRIER	•43754	1520402	BRG INC	35060	1523034	BRG INC	38709
		43752			w/ OEM ring	1523109	BRG INC	43875
149418	MECHNX/BARRIER	•43754	1520410	BRG INC	•35058	1523141	BRG INC	27438
		43752			35066	1523158	BRG INC	48884
149419	MECHNX/BARRIER	•43754	1520428	BRG INC	35075	1523216	BRG INC	48796
		43752	1520436	BRG INC	36285	1523281	BRG INC	28820
149501	MECHNX/BARRIER	•43754	1520444	BRG INC	•38776	1523315	BRG INC	39425
		43752			38780	1523323	BRG INC	42550
149502	MECHNX/BARRIER	•43754	1520469	BRG INC	•40129	1523364	BRG INC	31281
		43752			40136	1523398	BRG INC	52658
149513	MECHNX/BARRIER	•43754	1520477	BRG INC	•42627	1523414	BRG INC	31307
		43752			42623	1523463	BRG INC	36365
149518	MECHNX/BARRIER	•43754	1520485	BRG INC	42800	1523513	BRG INC	•34384
		43752	1520493	BRG INC	•43754			34387
149519	MECHNX/BARRIER	•43754			43752	1523521	BRG INC	•40091
		43752	1520501	BRG INC	43865			40086
149SERIES	MECHNX/BARRIER		1520519	BRG INC	•45093	1523539	BRG INC	28832
		•43754			45099	1523554	BRG INC	1733 ²
		43752	1520527	BRG INC	•45157	1523562	BRG INC	45162
150048498	J DEERE	1310 ³			45160	1523570	BRG INC	•40129
15026	FEL-PRO	43860	1520535	BRG INC	•45157			40136
1504	STEMCO	•46300			45160	1523604	BRG INC	45010
		46305	1520543	BRG INC	46390	1523620	BRG INC	1733 ²
15065180	GMC	•29480	1520568	BRG INC	48794	1523729	BRG INC	1665 ¹
151000SERIES	MECHNX/BARRIER		1520774	BRG INC	1627 ¹			1765 ²
		35075			1727 ²	1523737	BRG INC	1698 ¹
151300W/401225RING	MECHNX/BARRIER	35075	1520790	BRG INC	32470			1798 ²
151301	MECHNX/BARRIER	35075	1520808	BRG INC	1643 ¹	1523745	BRG INC	1642 ¹
151302	MECHNX/BARRIER	35075			1743 ³			1742 ²
151303	MECHNX/BARRIER	35075	1520873	BRG INC	38750	1523752	BRG INC	1612 ¹
151304	MECHNX/BARRIER	35075	1520881	BRG INC	39380			1711 ²
151306	MECHNX/BARRIER	35075	1520899	BRG INC	•43761	1523760	BRG INC	1643 ¹
151307	MECHNX/BARRIER	35075			43764			1743 ²
151318	MECHNX/BARRIER	35075	1520907	BRG INC	43800	1523786	BRG INC	1715 ²
151320267	J DEERE	1345 ³	1520915	BRG INC	•47692	1523794	BRG INC	1627 ¹
151328946	J DEERE	1345 ³			47697			1727 ²
151339811	J DEERE	1310 ³	1520923	BRG INC	•48002	15278	CHAMP RD	28832
151340220	J DEERE	1310 ³			48000	1529122	BRG INC	1623 ¹
151400	MECHNX/BARRIER	35075	1520931	BRG INC	50124			1723 ²
151401	MECHNX/BARRIER	35075	1520980	BRG INC	39420	1529213	BRG INC	1702 ¹
151402	MECHNX/BARRIER	35075	1521111	BRG INC	1670 ¹	1529338	BRG INC	•45095
151403	MECHNX/BARRIER	35075			1770 ²			45103
151404	MECHNX/BARRIER	35075	1521152	BRG INC	1643 ¹	1529346	BRG INC	1613 ¹
151406	MECHNX/BARRIER	35075			1743 ³			1703 ²
151407	MECHNX/BARRIER	35075	1521160	BRG INC	•46300	1529403	BRG INC	1670 ¹
151418	MECHNX/BARRIER	35075			46305			1770 ²
1517B1	REO	•38776	1521251	BRG INC	1642 ¹	1529429	BRG INC	1787 ²
		38780			1742 ²	1529437	BRG INC	1691 ¹
151SERIES	MECHNX/BARRIER	35075	1521269	BRG INC	1282 ⁴			1790 ²
		35075	1521384	BRG INC	1698 ¹	1529486	BRG INC	35072
1520097	BRG INC	1627 ¹			1798 ²	1529502	BRG INC	1788 ²
		1727 ²	1521400	BRG INC	•40091	1529510	BRG INC	•34994
1520147	BRG INC	1642 ¹			40086			35000
		1742 ²	1521442	BRG INC	44964	1529627	BRG INC	•45095
1520154	BRG INC	1733 ²	1521483	BRG INC	47699			45103
1520212	BRG INC	1612 ¹	1521764	BLUEBIRD	1612 ¹	1530021	BRG INC	•44916
		1711 ²			1711 ²			44922
1520220	BRG INC	1715 ²	1522317	BRG INC	42800	1530062	BRG INC	1754 ²
1520246	BRG INC	1623 ¹	1522325	BRG INC	1702 ¹	1530153	BRG INC	•28759
		1723 ²	1522465	BRG INC	45152			28758
1520261	BRG INC	1643 ¹	1522598	BRG INC	48690	1530260	BRG INC	47698
		1743 ²	1522606	BRG INC	•39979	1531250	BRG INC	47690
1520295	BRG INC	1665 ¹			39988	15342	TRAILMO	•45093
		1765 ²	1522903	BRG INC	43860			45099
1520378	BRG INC	31175	1522937	BRG INC	40040	1534569	BLUEBIRD	•38776
1520386	BRG INC	31244	1522952	BRG INC	•42673			38780
		w/ OEM ring			42672	1545409	BRG INC	36285
			1522960	BRG INC	38747	1545771	BRG INC	32470
			1523026	BRG INC	42624			

For in-text symbols, see page 6.

Mfr. no.	Mfr.	Part no.	Mfr. no.	Mfr.	Part no.	Mfr. no.	Mfr.	Part no.
1547637	BRG INC	•34384	1558543	BRG INC	39425	16024	TRAILMO	•48002
		34387	1558667	BRG INC	•43754			48000
15482	TRAILMO	•43754			43752	16025	TRAILMO	42800
		43752	1558683	BRG INC	43865	16026	TRAILMO	36365
155000	SERIES	MECHNX/BARRIER	1558832	BRG INC	•45157	16027	TRAILMO	47699
		•46300			45160	16028	TRAILMO	43860
		46305	15588691	GMC	•23590	16029	TRAILMO	48794
155070809	GMC	•43761	15588692	GMC	•29480	1608	FRT-LNR	1608 ¹
		43764	1558899	BRG INC	46390	1608	CHR	PACCAR PARTS 1608 ¹
15507089	GMC	•43761	1558956	BRG INC	48884	1609948C1	NAVISTAR (IHC)	•47692
		43764	155	SERIES	MECHNX/BARRIER			47697
15508	TRAILMO	43860			•46300	1612	FRT-LNR	1612 ¹
15517706	GMC	1612 ¹			46305			1711 ²
		1711 ²	15611171	GMC	39380	16124	TRAILMO	•35058
15519	TRAILMO	31244	156300W/401207RING	MECHNX/ BARRIER	42624			35066
15519908	GMC	36358	156311	MECHNX/BARRIER	42624	16-1261-6	CAN TIRE	•34384
15519910	GMC	36358	156400	MECHNX/BARRIER	42624	1612823C1	NAVISTAR (IHC)	•45095
15520072	GMC	31175	156411	MECHNX/BARRIER	42624			45103
1552405	BRG INC	28820	1565254	CHRYSR	•47692	1612	CHR	PACCAR PARTS 1612 ¹
1552512	BRG INC	31307			47697			1711 ²
1552546	BRG INC	•44916	15665670	GMC	•48002	1613	CHR	PACCAR PARTS 1613 ¹
		44922			48000			1703 ²
155300W/401203RING	MECHNX/ BARRIER	•46300	15679881	GMC	•38776	1623	PACCAR PARTS	1623 ¹
		46305			38780			1723 ²
155301	MECHNX/BARRIER	•46300	15679881	NATL D AUTO SEAL	•38776	16235	TRAILMO	•38776
		46305			38780			38780
15531LUP	J-M CLIPPER	47699	15679881	TIMKENSEALS	•38776	16279	TRAILMO	1643 ¹
1553544	BRG INC	•42673			38780			1743 ²
		42672	15687419	GMC	•43761	1627	CHR	PACCAR PARTS 1627 ¹
1553601	BLUEBIRD	1643 ¹			43764	163000	REDNECK	27438
		1743 ²	15703555	GMC	•38776	1630	CHR	PACCAR PARTS 1630 ¹
1553619	BRG INC	39380			38780	16374	TRAILMO	1642 ¹
155400	MECHNX/BARRIER	•46300	157171	CHAS MA	•40091			1742 ²
		46305			40086	1640	CHR	PACCAR PARTS 1640 ¹
155401	MECHNX/BARRIER	•46300	15730504	GMC	•23590	1642	FRT-LNR	1642 ¹
		46305	157524	CHAS MA	27438			1742 ²
1554484	BRG INC	42550	15770	TRAILMO	•35058	16427	TRAILMO	31244
1554591	BRG INC	48796			35066	1642	CHR	PACCAR PARTS 1642 ¹
1554898	BRG INC	45010	15832	FEL-PRO	47699			1742 ²
155501	MECHNX/BARRIER	•46300	15877	STRICK	•42627	1643	GREAT DANE	1643 ¹
		46305			42623			1743 ²
15550809	GMC	•35058	15907J	DIA T	•35058	1643	LUFKIN	1643 ¹
		35066			35066			1743 ²
15551	TRAILMO	46390	15973123	GMC	55177	1643	CHR	PACCAR PARTS 1643 ¹
1555168	BRG INC	•40129	15982869	GMC	•47691			1743 ²
		40136	15990004	GMC	39380	1644	FRT-LNR	1644 ¹
1555275	BRG INC	47699	15995	TRAILMO	•43754			1743 ²
15552974	GMC	1665 ¹			43752	1644	CHR	PACCAR PARTS 1644 ¹
		1765 ²	15C2-30	MTR-CH	•40091			1743 ²
15556130	GMC	1643 ¹			40086	16505	TRAILMO	45162
		1743 ²	15C2-34	GREYHND	44964	1654330C1	NAVISTAR (IHC)	•38776
15557677	GMC	•47692			w/450617			38780
		47697	15C3-34	MTR-CH	44964	1654331C1	NAVISTAR (IHC)	•35058
15557678	TIMKENSEALS	•38776	15J-3-11	MTR-CH	48690			35066
		38780	15R-2-13	MTR-CH	1698 ¹	1655102C1	NAVISTAR (IHC)	•44916
15557678	GMC	•38776			1798 ²			44922
		38780	15R2-9	MTR-CH	•40091	16596	TRAILMO	36365
15557678	NATL D AUTO SEAL	•38776			40086	16597	TRAILMO	36285
		38780	15R-3-8	MTR-CH	45010	16-599	STEIGER	55172
1556158	BRG INC	1643 ¹	160	FRUHAUF	•46300	1660994C1	NAVISTAR (IHC)	•43761
		1743 ²			46305			43764
15575449	GMC	•38776	16006	TRAILMO	•40129	1661230	CHRYSR	•47692
		38780			40136			47697
1557545	BRG INC	28832	1600	CHR	PACCAR PARTS 1600 ¹	1663974	NAVISTAR (IHC)	•34994
1557776	BRG INC	31244	1601	CHR	PACCAR PARTS 1601 ¹	166437R91	NAVISTAR (IHC)	•38776
1558295	BRG INC	•35058	16023	TRAILMO	•45093			38780
		35066			45099	1665	CHR	PACCAR PARTS 1665 ¹
1558535	BRG INC	39420						1765 ²
						1669	PACCAR PARTS	1669 ¹

INTERNET CHANGES

COMPETITOR & MANUFACTURER

SCOTSEAL® TO GREASE SEAL

GREASE SEAL TO SCOTSEAL®

BEARING TO SCOTSEAL®

INTERCHANGES

COMPETITOR & MANUFACTURER

SCOTSEAL® TO GREASE SEAL

GREASE SEAL TO SCOTSEAL®

BEARING TO SCOTSEAL®

Mfr. no.	Mfr.	Part no.	Mfr. no.	Mfr.	Part no.	Mfr. no.	Mfr.	Part no.
1670CHR	PACCAR PARTS	1670 ¹	1798	PACCAR PARTS	1698 ¹	199124R91	NAVISTAR (IHC)	45157
		1770 ²			1798 ²			45160
1681CHR	PACCAR PARTS	1681 ¹	1798	FRT-LNR	1698 ¹	199168	DORSEY TRAILER	46300
16858	TRAILMO	39979			1798 ²			46305
		39988	1799CHR	PACCAR PARTS	1799 ²	199197	DORSEY TRAILER	42627
16860	TRAILMO	43865	17KU146	MACK	50124			42623
16861	TRAILMO	31244	18082	TRAILMO	42627	199198	DORSEY TRAILER	1696 ¹
16880	TRAILMO	36365			42623			1796 ²
16899F	DIA T	38776	18084	TRAILMO	40129	199206	DORSEY TRAILER	42627
		38780			40136			42623
1691CHR	PACCAR PARTS	1691 ¹	18085	TRAILMO	43754	199223	DORSEY TRAILER	46300
		1790 ²			43752			46305
1695989C91	NAVISTAR (IHC)	1630 ¹	18086	TRAILMO	46300	199232	DORSEY TRAILER	1343 ³
1696CHR	PACCAR PARTS	1696 ¹			46305	199831	FWD	48002
		1796 ²	1817B1	REO	38776			48000
1698CHR	PACCAR PARTS	1698 ¹			38780	199835	FWD	1643 ¹
		1798 ²	18227	TRAILMO	27438			1743 ²
1702	FRT-LNR	1702 ¹	18235	TRAILMO	46300	199878	FWD	35058
1702CHR	PACCAR PARTS	1702 ¹			46305			35066
1703CHR	PACCAR PARTS	1613 ¹	18335	TRAILMO	35075	199880	FWD	35058
		1703 ²	18361	TRAILMO	46300			35066
1711	FRT-LNR	1612 ¹			46305	199883	FWD	35058
		1711 ²	18367	TRAILMO	46300			35066
1711CHR	PACCAR PARTS	1612 ¹			46305	199901	FWD	35058
		1711 ²	185705R91	NAVISTAR (IHC)	35058			35066
1715CHR	PACCAR PARTS	1715 ²			35066	199902	FWD	1623 ¹
1723	FRT-LNR	1623 ¹	18626	TRAILMO	39979			1723 ²
		1723 ²			39988	199917R91	NAVISTAR (IHC)	39380
1723	PACCAR PARTS	1623 ¹	18800	WHT-TRK	43860			w/ OEM ring
		1723 ²	18800	EATON	43860	19QJ19371	DANA-SPICER	35058
1727CHR	PACCAR PARTS	1627 ¹	189254R91	NAVISTAR (IHC)	39380			35066
		1727 ²			w/ OEM ring	19QJ261	MACK	1643 ¹
1730740	WHT-TRK	39380	189381R91	NAVISTAR (IHC)	43860			1743 ²
1733CHR	PACCAR PARTS	1733 ²	18TN234	OSHKOSH	43860	19QJ-264	MACK	1612 ¹
1740273	WHT-TRK	48794	18TN396	OSHKOSH	1282 ⁴			1711 ²
1740274	WHT-TRK	1702 ¹	18TN397	OSHKOSH	1643 ¹	19QJ29309	MACK	1612 ¹
1742	PACCAR PARTS	1642 ¹			1743 ²			1711 ²
		1742 ²	18TN398	OSHKOSH	1665 ¹	19QJ324	MACK	1691 ¹
1743	GREAT DANE	1643 ¹			1765 ²			1790 ²
		1743 ²	18TN399	OSHKOSH	38747	19QJ-324	DANA-SPICER	1691 ¹
1743	FRT-LNR	1643 ¹	18TN400	OSHKOSH	38750			1790 ²
		1743 ²	18TN401	OSHKOSH	38776	19QJ328	MACK	1691 ¹
1743CHR	PACCAR PARTS	1643 ¹			38780			1790 ²
		1743 ²	18TN402	OSHKOSH	40129	19QJ-329	MACK	1753 ²
1744CHR	PACCAR PARTS	1744 ²			40136	19QJ338	MACK	1669 ¹
17521	TRAILMO	38776	18TN403	OSHKOSH	42627	19QJ341	MACK	1644 ¹
		38780			42623			1743 ²
17522	TRAILMO	48794	18TN404	OSHKOSH	42673	19QJ343	MACK	1612 ¹
1753	PACCAR PARTS	1753 ²			42672			1711 ²
1754CHR	PACCAR PARTS	1754 ²	18TN405	OSHKOSH	44916	19QJA261	MACK	1643 ¹
17576	TRAILMO	47699			44922			1743 ²
1765	PACCAR PARTS	1665 ¹	18TN406	OSHKOSH	45093	19QJA264	SPICER	1612 ¹
		1765 ²			45099			1711 ²
1770	PACCAR PARTS	1670 ¹	18TN407	OSHKOSH	46300	19QJA29302	MACK	1612 ¹
		1770 ²			46305			1711 ²
17850	TRAILMO	46300	18TN408	OSHKOSH	48794	19QJA29304	MACK	1643 ¹
		46305	18TN654	OSHKOSH	45152			1743 ²
1787CHR	PACCAR PARTS	1787 ²	18TN659	OSHKOSH	47690	19QJA29305	MACK	1643 ¹
1788	PACCAR PARTS	1788 ²	18TN660	OSHKOSH	48002			1743 ²
1789613	CHRYSR	28820			48000	19QJA29307	MACK	1643 ¹
1790	PACCAR PARTS	1691 ¹	1905-010-114	TRAILMO	46300			1743 ²
		1790 ²			46305	19QJA29308	MACK	1691 ¹
17912	TRAILMO	40129	1925822	CHRYSR	38776			1790 ²
		40136			38780	19QJA29309	MACK	1612 ¹
1793	DORSEY TRAILER	1696 ¹	19325	EATON	47692			1711 ²
		1796 ²			47697	19QJA313	MACK	1643 ¹
1794312	CHRYSR	39380	199123R91	NAVISTAR (IHC)	38776			1743 ²
1796	PACCAR PARTS	1696 ¹			38780	19QJA315	MACK	1754 ²
		1796 ²						

For in-text symbols, see page 6.

19QJA317-203308

Mfr. no.	Mfr.	Part no.	Mfr. no.	Mfr.	Part no.	Mfr. no.	Mfr.	Part no.
19QJA317..MACK.....		1612 ¹	2008723..GMC.....		•35058	2022-W/1016RING..STEMCO.....		31244
.....		1711 ²		35066	w/ OEM ring	
19QJA318A..MACK.....		1691 ¹	2008-W/1079RING..STEMCO.....		47690	2022-W/1050RING..STEMCO.....		31244
.....		1790 ²	2008-W/1028RING..STEMCO.....		48690	w/ OEM ring	
19QJA319..MACK.....		1643 ¹	2009-W/1079RING..STEMCO.....		•48002	202300W/401201RING..MECHNX/		
.....		1743 ²		48000	BARRIER.....		•44916
19QJA324..SPICER.....		1691 ¹	201000SERIES..MECHNX/BARRIER				44922
.....		1790 ²		•44916	202301..MECHNX/BARRIER.....		•44916
19QJA324..MACK.....		1691 ¹		44922		44922
.....		1790 ²	2010-W/1012RING..STEMCO.....		38709	2023-W/1022RING..STEMCO.....		46390
19QJA324P2..MACK.....		1787 ²	201140R91..NAVISTAR (IHC)		•45157	w/450208	
19QJA329..VICTOR.....		1753 ²		45160	2023-W/1023RING..STEMCO.....		•42627
19QJA329..SPICER.....		1753 ²	2011-W/1010RING..STEMCO.....		35075		42623
19QJA41SR32..MACK.....		1643 ¹		w/ OEM ring	2023-W/1041RING..STEMCO.....		43800
.....		1743 ²	2011-W/1036RING..STEMCO.....		35075	w/ OEM ring	
19TN134..OSHKOSH.....		43800	2011-W/1120RING..STEMCO.....		35075	2023-W/1088RING..STEMCO.....		•42627
19TN225..OSHKOSH.....		•43761	2012-W/1012RING..STEMCO.....		•38776		42623
.....		43764		38780	2023-W/1503RING..STEMCO.....		•42627
19TN227..OSHKOSH.....		•35058	201300W/401201RING..MECHNX/				42623
.....		35066	BARRIER.....		•44916	202400..MECHNX/BARRIER.....		•44916
19TN270..OSHKOSH.....		•45095		44922		44922
.....		45103	201301..MECHNX/BARRIER.....		•44916	202401..MECHNX/BARRIER.....		•44916
19TN3..OSHKOSH.....		•45157		44922		44922
.....		45160	2013-W/1013RING..STEMCO.....		•40129	2024-W/1079RING..STEMCO.....		47699
19TN414..OSHKOSH.....		47698		40136	2024-W/1087RING..STEMCO.....		47699
19TN513..OSHKOSH.....		1623 ¹	2013-W/1027RING..STEMCO.....		•40129	2025-W/1026..STEMCO.....		43860
.....		1723 ²		40136	2026943..GMC.....		48884
1B6363..STERLING.....		•40129		w/ OEM ring	2026-W/1026RING..STEMCO.....		43865
.....		40136	2013-W/1036RING..STEMCO.....		•40129	2028-W/1028RING..STEMCO.....		48794
1CH5..OSHKOSH.....		39420		40136	2029409..GMC.....		38750
1DA9424..AUTOCAR.....		48690	2013-W/1053RING..STEMCO.....		•40129	2029-W/1018RING..STEMCO.....		39380
1ES13359..R-STD.....		44964		40136	2029-W/1029RING..STEMCO.....		39380
1ES13802..R-STD.....		50124	2013-W/1057RING..STEMCO.....		•40129	2029-W/1059RING..STEMCO.....		39380
1ES14393..R-STD.....		•40129		40136	w/ OEM ring	
.....		40136		w/ OEM ring	202-G..DUAL DYN.....		1343 ³
1ES15068..R-STD.....		•40129	201400..MECHNX/BARRIER.....		•44916	202SERIES..MECHNX/BARRIER		
.....		40136		44922		•44916
1ES16007..R-STD.....		43860	201401..MECHNX/BARRIER.....		•44916		44922
1ES16325..R-STD.....		50124		44922	203000SERIES..MECHNX/BARRIER		
1JG3..KENWTH.....		40040	2014-W/1014RING..STEMCO.....		42800		•35058
1JG4..KENWTH.....		•35058	2016169..GMC.....		•35058		35066
.....		35066		35066	20-3001162..WHI FRM.....		32470
1JG5..STERLING.....		48794	2016460C91..NAVISTAR (IHC)		1630 ¹	2030-W/1030RING..STEMCO.....		31244
1QFA3145..MACK.....		43865	2016-W/1011RING..STEMCO.....		•39979	w/ OEM ring	
1QFA3146..MACK.....		•45093		39988	2031-W/1010RING..STEMCO.....		35075
.....		45099		w/ OEM ring	w/ OEM ring	
1QFA3147..MACK.....		•42673	2016-W/1012RING..STEMCO.....		38750	2031-W/1031RING..STEMCO.....		36365
.....		42672	2016-W/1018RING..STEMCO.....		39420	w/ OEM ring	
20005..J-M CLIPPER.....		•42673	2017-W/1017RING..STEMCO.....		32470	2031-W/1036RING..STEMCO.....		35075
.....		42672	2018-W/1008RING..STEMCO.....		28820	2031-W/1051RING..STEMCO.....		36365
2001-W/1001RING..STEMCO.....		48884	2019-W/1019RING..STEMCO.....		31175	w/ OEM ring	
.....		w/455019	201-GN..DUAL DYN.....		1640 ¹	2031-W/1063RING..STEMCO.....		35075
2001-W/1095RING..STEMCO.....		48884	201SERIES..MECHNX/BARRIER			2032362..GMC.....		36285
.....		w/455019		•44916	2032484..GMC.....		1623 ¹
2001-W/1103RING..STEMCO.....		48884		44922		1723 ²
2002E1175DA..FORD.....		43800	2020-W/1020RING..STEMCO.....		36365	2032-W/1032RING..STEMCO.....		36285
2002-W/1093RING..STEMCO.....		•45093		w/ OEM ring	w/ OEM ring	
.....		45099	2021-W/1043RING..STEMCO.....		45152	2032-W/1033RING..STEMCO.....		35060
2003-W/1013RING..STEMCO.....		40139	2021W/1079..STEMCO.....		43875	w/ OEM ring	
2003-W/1027RING..STEMCO.....		40139		w/Eaton 18 & 38D	2032-W/1036RING..STEMCO.....		35075
.....		w/ OEM ring	2021W/1079(FOR-1)..STEMCO.....		•47692	203300W/401202RING..MECHNX/		
2004-W/1023RING..STEMCO.....		42624		47697	BARRIER.....		•35058
2005-W/1025RING..STEMCO.....		•42673		Exc. Eaton 18		35066
.....		42672	2021W/1079(FOR-3)..STEMCO.....		45152	203304..MECHNX/BARRIER.....		•35058
2005-W/1093RING..STEMCO.....		•45157		w/Eaton 19		35066
.....		45160	2021-W/1085RING..STEMCO.....		43875	203307..MECHNX/BARRIER.....		•35058
2006512..GMC.....		43875	2021-W/1087RING..STEMCO.....		45152		35066
2007-W/1007RING..STEMCO.....		50124	2022846..GMC.....		1665 ¹	203308..MECHNX/BARRIER.....		•35058
.....				1765 ²		35066

INTERNET CHANGES

COMPETITOR & MANUFACTURER

SCOTSEAL® TO GREASE SEAL

GREASE SEAL TO SCOTSEAL®

BEARING TO SCOTSEAL®

INTERCHANGES

COMPETITOR & MANUFACTURER

SCOTSEAL® TO GREASE SEAL

GREASE SEAL TO SCOTSEAL®

BEARING TO SCOTSEAL®

Mfr. no.	Mfr.	Part no.	Mfr. no.	Mfr.	Part no.	Mfr. no.	Mfr.	Part no.
203314	MECHNX/BARRIER	•35058	20435575	VOLVO	55177	205SERIES	MECHNX/BARRIER	
		35066	2043-W/1009RING	STEMCO	40040			•35058
2033919C91	NAVISTAR (IHC)	1608 ¹	2043-W/1093RING	STEMCO	•44916			35066
203391C91	NAVISTAR (IHC)	1608 ¹			44922	2060-W/1067RING	STEMCO	52658
2033921C91	NAVISTAR (IHC)	1608 ¹	204400	MECHNX/BARRIER	•35058	2061-W/1066RING	STEMCO	48690
2033-W/1037RING	STEMCO	•43761			35066	206300W/401204RING	MECHNX/ BARRIER	•43761
		43764	204404	MECHNX/BARRIER	•35058			43764
203400	MECHNX/BARRIER	•35058			35066	206301	MECHNX/BARRIER	•43761
		35066	204407	MECHNX/BARRIER	•35058			43764
203404	MECHNX/BARRIER	•35058			35066	206307	MECHNX/BARRIER	•43761
		35066	204408	MECHNX/BARRIER	•35058			43764
203407	MECHNX/BARRIER	•35058			35066	206313	MECHNX/BARRIER	•43761
		35066	204414	MECHNX/BARRIER	•35058			43764
203408	MECHNX/BARRIER	•35058			35066	206319	MECHNX/BARRIER	•43761
		35066	2044540	GMC	31244			43764
203414	MECHNX/BARRIER	•35058		w/ OEM ring		206400	MECHNX/BARRIER	•43761
		35066	2046-W/1010RING	STEMCO	35075			43764
2034-W/1034RING	STEMCO	36285		w/ OEM ring		206401	MECHNX/BARRIER	•43761
2035506	GMC	•35058	2046-W/1036RING	STEMCO	35075			43764
		35066	2048-W/1048RING	STEMCO	•46300	206407	MECHNX/BARRIER	•43761
2035507	GMC	47690			46305			43764
20359413	VOLVO TRK NA	1311 ³	20499437	VOLVO	•35058	206413	MECHNX/BARRIER	•43761
2035-W/1035RING	STEMCO	35060			35066			43764
	w/ OEM ring		20499439	VOLVO	•47692	2064489	GMC	39420
2036-W/1036RING	STEMCO	•35058			47697	2064731	GMC	•34384
		35066	2049-W/1012RING	STEMCO	38747			34387
2037737	GREAT DANE	1343 ³	204SERIES	MECHNX/BARRIER		2064-W/1051RING	STEMCO	31281
2038244	GMC	42550			•35058		w/ OEM ring	
20388298	VOLVO TRK NA	1612 ¹			35066	2066307	GMC	35075
		1711 ²	205000SERIES	MECHNX/BARRIER		206SERIES	MECHNX/BARRIER	
20396295	VOLVO TRK NA	•43761			35066			•43761
		43764	2050-W/1052RING	STEMCO	31175			43764
2039-W/1011RING	STEMCO	•39979	205300W/401202RING	MECHNX/ BARRIER	•35058	2070782	GMC	50124
		39988			35066	2072-W/1064RING	STEMCO	31307
	w/ OEM ring		205304	MECHNX/BARRIER	•35058		w/ OEM ring	
2039-W/1038RING	STEMCO	•39979			35066	207300W/401205RING	MECHNX/ BARRIER	36285
		39988	205307	MECHNX/BARRIER	•35058	207304	MECHNX/BARRIER	36285
	w/455031				35066	207314	MECHNX/BARRIER	36285
203-P..DUAL DYN		1643 ¹	205308	MECHNX/BARRIER	•35058	2073173	FLEX	•40129
		1743 ²			35066			40136
203SERIES	MECHNX/BARRIER	•35058	205314	MECHNX/BARRIER	•35058	2073173	GMC	•40129
		35066			35066			40136
204000SERIES	MECHNX/BARRIER	•35058	205400	MECHNX/BARRIER	•35058	207320	MECHNX/BARRIER	36285
		35066			35066	207321	MECHNX/BARRIER	36285
2040-W/1026RING	STEMCO	•43754	205404	MECHNX/BARRIER	•35058	207400	MECHNX/BARRIER	36285
		43752			35066	207400W/401254RING	MECHNX/ BARRIER	36285
2040-W/1037RING	STEMCO	•43754	205407	MECHNX/BARRIER	•35058		w/ OEM ring	
		43752			35066	207404	MECHNX/BARRIER	36285
2041497	GMC	36285	205408	MECHNX/BARRIER	•35058	207414	MECHNX/BARRIER	36285
2041597	GMC	1665 ¹			35066	207420	MECHNX/BARRIER	36285
		1765 ²	205414	MECHNX/BARRIER	•35058	207421	MECHNX/BARRIER	36285
2041-W/1028RING	STEMCO	48796			35066	2074449	GMC	•40091
2041-W/1043RING	STEMCO	45162	2055746	GMC	1643 ¹			40086
2041-W/1044RING	STEMCO	45162			1743 ²	2077573	GMC	1643 ¹
2042-W/1042RING	STEMCO	27438	2055-W/1059RING	STEMCO	•40091			1743 ²
	w/ OEM ring				40086	2078026	GMC	47690
204300W/401202RING	MECHNX/ BARRIER	•35058	2056124	GMC	38750	207-P..DUAL DYN		1943 ¹
		35066	2057480	GMC	•47692	207SERIES	MECHNX/BARRIER	
204304	MECHNX/BARRIER	•35058			47697		w/ OEM ring	
		35066	2057-W/1062RING	STEMCO	•34384	208000SERIES	MECHNX/BARRIER	48794
204307	MECHNX/BARRIER	•35058			34387			48794
		35066	2057W1063RING	STEMCO	•34994	208300W/401206RING	MECHNX/ BARRIER	48794
204308	MECHNX/BARRIER	•35058			35000	208301	MECHNX/BARRIER	48794
		35066	205821R91	NAVISTAR (IHC)	38709	208316	MECHNX/BARRIER	48794
204314	MECHNX/BARRIER	•35058	205831R91	NAVISTAR (IHC)	38709			
		35066	2058-W/1093RING	STEMCO	44964			
		35066	2059-W/1089RING	STEMCO	55177			

For in-text symbols, see page 6.

208400-215300W/401223RING

Mfr. no.	Mfr.	Part no.	Mfr. no.	Mfr.	Part no.	Mfr. no.	Mfr.	Part no.
208400	MECHNX/BARRIER	48794	2106W/1094(FOR-3)	STEMCO	45152	212257R91	NAVISTAR (IHC)	28820
208401	MECHNX/BARRIER	48794		w/Eaton 19 ser.		2122701	GMC	45093
208416	MECHNX/BARRIER	48794	2106-W/1094EXCEATON	STEMCO				45099
20852554	VOLVO TRK NA	47692			47692	2122717	GMC	44964
		47697			47697	212300W/401216RING	MECHNX/ BARRIER	39380
2086W1013RING	STEMCO	40091	2106W/1111(FOR-1)	STEMCO	43875		w/OEM ring	
		40086		w/Eaton 18		212306	MECHNX/BARRIER	39380
	w/OEM ring		2106W/1111(FOR-2)	STEMCO	45152		w/OEM ring	
2087-W/1084RING	STEMCO	43754		w/Eaton 19 ser.		212307	MECHNX/BARRIER	39380
		43752	2106-W/1111EXCEATON	STEMCO			w/OEM ring	
208SERIES	MECHNX/BARRIER				47692	212308	MECHNX/BARRIER	39380
		48794			47697		w/OEM ring	
209000SERIES	MECHNX/BARRIER		2106W/1502(FOR-1)	STEMCO	47692	212400	MECHNX/BARRIER	39380
		36285			47697	212406	MECHNX/BARRIER	39380
2090146	GMC	38776		Exc. Eaton 42D axle			w/OEM ring	
		38780	2106W/1502(FOR-2)	STEMCO	47692	212407	MECHNX/BARRIER	39380
2091-W/OEMRING	STEMCO	42550			47697		w/OEM ring	
				w/Eaton 18		212408	MECHNX/BARRIER	39380
209300W/401208RING	MECHNX/ BARRIER	36285	2106W/1502(FOR-3)	STEMCO	45152		w/OEM ring	
		36285		w/Eaton 19 ser.		2125W/1051	STEMCO	31281
	w/OEM ring		2106W/1525	STEMCO	47692		w/OEM ring	
209307	MECHNX/BARRIER	36285			47697	2125-W/150	STEMCO	31281
		36285	2106W/315-1525	STEMCO	47692		w/3957 cone	
209400	MECHNX/BARRIER	36285			47697	2127-W/1721RING	STEMCO	34971
209407	MECHNX/BARRIER	36285	2109-W/1013RING	STEMCO	40129			34975
		36285			40136	2129-W/1093RING	STEMCO	45093
2095-W/1088RING	STEMCO	42673		w/OEM ring				45099
		42672	2109-W/1027RING	STEMCO	40136	2129-W/1511RING	STEMCO	45093
2096-W/1007RING	STEMCO	50124			40136			45099
2097W/1067	STEMCO	52658	2109-W/1053RING	STEMCO	40129	212SERIES	MECHNX/BARRIER	
2097W/1516	STEMCO	52658			40136			39380
2097-W/1516RING	STEMCO	52658	2109-W/1057RING	STEMCO	40129		w/OEM ring	
2098743	GMC	31244			40136	213000SERIES	MECHNX/BARRIER	
		31244		w/OEM ring				48796
2099450	GMC	39425	2109-W/1507RING	STEMCO	40129			43865
2099-W/1089RING	STEMCO	55177			40136	2131-W/1026RING	STEMCO	43865
209SERIES	MECHNX/BARRIER		210SERIES	MECHNX/BARRIER		2132-W/1088RING	STEMCO	42673
		36285			32470			42672
210000SERIES	MECHNX/BARRIER		2110-W/1048RING	STEMCO	46300	2132-W/1515RING	STEMCO	42673
		32470			46305			42672
2101-W/1032RING	STEMCO	36285	2110-W/1504RING	STEMCO	46300	2133-W/1036RING	STEMCO	34971
		36285			46305			34975
2101-W/1033RING	STEMCO	35060	2113-W/1002RING	STEMCO	45157	213400	MECHNX/BARRIER	48796
		35060			45160	2136-W/1064RING	STEMCO	31281
	w/OEM ring		2113-W/1093RING	STEMCO	45157	2137-W/1026RING	STEMCO	43761
2101-W/1036RING	STEMCO	35075			45160			43764
		35075	2113-W/1517RING	STEMCO	45157	2137W1037RING	STEMCO	43761
21020665	R.O.R.	46300			45160			43764
		46305	2114-W/1026RING	STEMCO	43860	2139445	GMC	31244
2102-W/1091GMC	STEMCO	38750			43860	214000SERIES	MECHNX/BARRIER	
2102W/1091IHC	STEMCO	38747	2114W/1508(FOR-1)	STEMCO	43860			44916
2102W/1501(FOR-1)	STEMCO	38776		Exc. Eaton 42D				44922
		38780	2114W/1508(FOR-2)	STEMCO	43860	214300W/401224RING	MECHNX/ BARRIER	44916
	Exc. GMC & IHC				43860			44922
2102W/1501FORD	STEMCO	38736		w/Eaton 42 DAX		214301	MECHNX/BARRIER	44916
2102-W/1501GMC	STEMCO	38750	2115265	GMC	31244			44922
2102W/1501IHC	STEMCO	38747			31244	214400	MECHNX/BARRIER	44916
210300W/401209	MECHNX/BARRIER			w/OEM ring				44922
		32470	21154	TRAILMO	35058	214401	MECHNX/BARRIER	44916
210307	MECHNX/BARRIER	32470			35066			44922
2103227	GMC	50124	2115-W/1094RING	STEMCO	48002	214400	MECHNX/BARRIER	44916
2103383	GAR WOD	45162			48000			44922
2103-W/1092RING	STEMCO	27438	2115-W/1107RING	STEMCO	47483	214401	MECHNX/BARRIER	44916
210400	MECHNX/BARRIER	32470			47690			44922
210407	MECHNX/BARRIER	32470	2115-W/1111RING	STEMCO	47690	214SERIES	MECHNX/BARRIER	
2104-W/1018RING	STEMCO	39425			47690			44916
2105-W/1008RING	STEMCO	28832	2117-W/1014RING	STEMCO	42800			44922
2106W/1094(FOR-2)	STEMCO	43875	2117-W/1509RING	STEMCO	42800	215000SERIES	MECHNX/BARRIER	
		43875			43752			28820
	w/Eaton 18		2118-W/1037RING	STEMCO	43754	215300W/401223RING	MECHNX/ BARRIER	28820
					43752			
			2118-W/1510RING	STEMCO	43754			
					43752			

INTERNET CHANGES

COMPETITOR & MANUFACTURER

SCOTSEAL® TO GREASE SEAL

GREASE SEAL TO SCOTSEAL®

BEARING TO SCOTSEAL®

INTERCHANGES

COMPETITOR & MANUFACTURER

SCOTSEAL® TO GREASE SEAL

GREASE SEAL TO SCOTSEAL®

BEARING TO SCOTSEAL®

Mfr. no.	Mfr.	Part no.	Mfr. no.	Mfr.	Part no.	Mfr. no.	Mfr.	Part no.
215310	MECHNX/BARRIER	28820	218SERIES	MECHNX/BARRIER		221SERIES	MECHNX/BARRIER	
215400	MECHNX/BARRIER	28820			31244			•40091
215410	MECHNX/BARRIER	28820						40086
215SERIES	MECHNX/BARRIER		219000SERIES	MECHNX/BARRIER				w/ OEM ring
		28820			•39979	2223597	GMC	39420
2162-W/1111RING	STEMCO	47699			39988	222400	MECHNX/BARRIER	32470
2162-W/1502RING	STEMCO	47699	2192652	GMC	50124	22265	SCHWARTZ	1643 ¹
216300W/401205RING	MECHNX/BARRIER	36285	219300W/401216RING	MECHNX/BARRIER	•39979			1743 ²
216304	MECHNX/BARRIER	36285			39988	2226530	GMC	43860
216314	MECHNX/BARRIER	36285			39988	2228694	GMC	38750
216320	MECHNX/BARRIER	36285			w/455031	2229540	GMC	38750
216321	MECHNX/BARRIER	36285	219305	MECHNX/BARRIER	•39979	22299862	HEIL	•46300
216400	MECHNX/BARRIER	36285			39988			46305
216400W/401254RING	MECHNX/BARRIER	36285	219316	MECHNX/BARRIER	•39979	223000SERIES	MECHNX/BARRIER	35060
		w/ OEM ring			39988	22-32232	HEIL	1643 ¹
216404	MECHNX/BARRIER	36285			w/455031			1743 ²
216414	MECHNX/BARRIER	36285	219400	MECHNX/BARRIER	•39979	223300W/401205RING	MECHNX/BARRIER	35060
216420	MECHNX/BARRIER	36285			39988			w/ OEM ring
216421	MECHNX/BARRIER	36285	219400W/401253RING	MECHNX/BARRIER	•39979	223304	MECHNX/BARRIER	35060
2164-W/1008RING	STEMCO	•28759			39988			w/ OEM ring
		28758			w/455031	223320	MECHNX/BARRIER	35060
2165-W/1093RING	STEMCO	•45095	219405	MECHNX/BARRIER	•39979			w/ OEM ring
		45103			39988	2233963	CHRYSR	•34384
217000	MECHNX/BARRIER	36365			w/455031			34387
		w/ OEM ring	219416	MECHNX/BARRIER	•39979	223400	MECHNX/BARRIER	35060
217300W/401208RING	MECHNX/BARRIER	36365			39988	223400W/401251RING	MECHNX/BARRIER	35060
		w/ OEM ring	2199-W/1093RING	STEMCO	•45095			w/ OEM ring
217305	MECHNX/BARRIER	36365			45103	223404	MECHNX/BARRIER	35060
		w/ OEM ring	219SERIES	MECHNX/BARRIER				w/ OEM ring
217316	MECHNX/BARRIER	36365			•39979	223420	MECHNX/BARRIER	35060
		w/ OEM ring			39988			w/ OEM ring
2173-W/1023RING	STEMCO	42624			w/455031	2234376	GMC	32470
2173-W/1032RING	STEMCO	42624	220300W/410216RING	MECHNX/BARRIER	•40091	2234377	GMC	36285
2173-W/1503RING	STEMCO	42624			40086	2234378	GMC	36285
217400	MECHNX/BARRIER	36365			w/ OEM ring	2235082	GMC	44964
		w/ OEM ring	220311	MECHNX/BARRIER	•40091	223568	HEIL	•46300
217400W/401255RING	MECHNX/BARRIER	36365			40086			46305
		w/ OEM ring			w/ OEM ring	2238542	GMC	48884
217405	MECHNX/BARRIER	36365	220400	MECHNX/BARRIER	•40091			w/455019
		w/ OEM ring			40086	223SERIES	MECHNX/BARRIER	35060
217416	MECHNX/BARRIER	36365	220411	MECHNX/BARRIER	•40091			w/ OEM ring
		w/ OEM ring			40086	2243081	GMC	39380
217SERIES	MECHNX/BARRIER				w/ OEM ring			w/ OEM ring
		36365	2208N768	R-STD	1698 ¹	225400	MECHNX/BARRIER	
		w/ OEM ring			1798 ²			28832
218000	MECHNX/BARRIER	31244	220SERIES	MECHNX/BARRIER		2256492	GMC	35075
2181-W/1009RING	STEMCO	40040			•40091	2256495	GMC	35075
2181-W/1093RING	STEMCO	•44916			40086	225692	GMC	35075
		44922	221300W/401216RING	MECHNX/BARRIER	•40091	2257151	GMC	32470
218205R91	NAVISTAR (IHC)	39380			40086	2258269	GMC	48884
218300W/401209RING	MECHNX/BARRIER	31244			w/ OEM ring			w/455019
218316	MECHNX/BARRIER	31244			40086	2258545	GMC	48884
218320	MECHNX/BARRIER	31244			w/ OEM ring			w/455019
218400	MECHNX/BARRIER	31244	221311	MECHNX/BARRIER	•40091	2258746	GMC	•40129
218400W/401252RING	MECHNX/BARRIER	31244			40086			40136
		w/ OEM ring			w/ OEM ring	2258893	GMC	•48002
218416	MECHNX/BARRIER	31244	221400	MECHNX/BARRIER	•40091			48000
218420	MECHNX/BARRIER	31244			40086	2259040	GMC	•45157
2184-W/1093RING	STEMCO	•45095			w/ OEM ring			45160
		45103	221411	MECHNX/BARRIER	•40091			w/ OEM ring
21874F1	OSHKOSH	•35058			40086	2259540	GMC	39420
		35066	2216-W/1034RING	STEMCO	36358	2259657	GMC	39420
21875F	OSHKOSH	48884				2259662	GMC	43860
						2259713	GMC	35075

For in-text symbols, see page 6.

226400-2703W/1703(FOR-2)

Mfr. no.	Mfr.	Part no.	Mfr. no.	Mfr.	Part no.	Mfr. no.	Mfr.	Part no.
226400	MECHNX/BARRIER	•40091	22B2962-12	HEIL	•40129	2455047	GMC	38750
		40086			40136	2455092	GMC	36285
226938R91	NAVISTAR (IHC)	48794	2301820	GMC	44964	2455943	GMC	32470
227400	MECHNX/BARRIER	•40091	2302139	GMC	48690	2456738	GMC	47690
		40086	2314094	GMC	50124	2456752	GMC	•45157
2283411	CHRYSR	31307	2322621	GMC	48884			45160
2283871	CHRYSR	42800			w/455019	2457433	GMC	43860
2283871	GMC	42800	2328053	GMC	48884	2466057	GMC	28820
2284159	GMC	•35058			w/455019	2466757	GMC	28820
		35066	2328334	GMC	38750	2466764	GMC	•40091
2286495	GMC	35075	2328694	GMC	38750			40086
228885R91	NAVISTAR (IHC)	48794	2332391	UNIVERSAL COACH	38750	2477708	GMC	•35058
229	R-STD	•47692	2334838	GMC	•48002			35066
		47697			48000	2483891	GMC	28820
229285C91	NAVISTAR (IHC)	27438	2343139	GMC	38750	2492116	GMC	1787 ²
		w/OEM ring	2345112	GMC	50124	2498220	GMC	•43761
229285R1	NAVISTAR (IHC)	27438	235768	UNIVERSAL COACH	38750			43764
229285R91	NAVISTAR (IHC)	27438	2357682	GMC	38750	24C55137	FWD	31244
2295935	GMC	•45157	2357683	GMC	•48002			w/OEM ring
		45160			48000	2502626C1	NAVISTAR (IHC)	•47693
2295936	GMC	•45157	2357684	GMC	48884			47693
		45160			w/455019	2513602	CHRYSR	45152
22A2450	HEIL	50124	23590CHR	PACCAR PARTS	•23590	2520-00-933-4198	FSN	42624
22B2558-1	HEIL	•40129	2368357	GMC	35075	2552584	CHRYSR	•38776
		40136	2371908	GMC	36285			38780
22B2558-12	HEIL	•40129	2386619	GMC	32470	2552592	CHRYSR	45152
		40136	2388334	GMC	38750	2559054	CHRYSR	•35058
22B2558-14	HEIL	1643 ¹	2392261	GMC	31175			35066
		1743 ²	2392508	GMC	40040	2559055	CHRYSR	•38776
22B2558-16	HEIL	1643 ¹	2394035	GMC	43860			38780
		1743 ²	2394036	GMC	•45157	2559304	CHRYSR	•35058
22B2558-2	HEIL	•40129			45160			35066
		40136	2394037	GMC	•48002	2559685	CHRYSR	•38776
22B2558-20	HEIL	1642 ¹			48000			38780
		1742 ²	240	R-STD	•38776	2559686	CHRYSR	43875
22B2558-3	HEIL	•46300			38780	2559689	CHRYSR	•35058
		46305	240976	BROCKWAY	•38776			35066
22B2558-4	HEIL	•46300			38780	2559786	CHRYSR	43875
		46305	2413360	GMC	55177	255-G	DUAL DYN	1399 ³
22B2558-5	HEIL	•46300	241343	ACF	32470	2561031	CHRYSR	•38776
		46305	2417701	GMC	•48002			38780
22B2558-6	HEIL	•46300			48000	2562045	CHRYSR	•46300
		46305	2417702	GMC	•45157			46305
22B2558-7	HEIL	•46300			45160	2562047	CHRYSR	1643 ¹
		46305	242258	CLARK	38709			1743 ²
22B2558-8	HEIL	•46300	2428573	GMC	1665 ¹	256300	ARTS WAY	•42627
		46305			1765 ²			42623
22B2897-1	HEIL	•43754	243190	BROCKWAY	•40129	257-P	DUAL DYN	1696 ¹
		43752			40136			1796 ²
22B2897-12	HEIL	•43754	2435738	GMC	48690	25907C	DIA T	28820
		43752	2438878	GMC	48794	260-P	DUAL DYN	1996 ¹
22B2897-14	HEIL	1643 ¹	2440720	GMC	•35058	2619	BUR WOOD	42800
		1743 ²			35066	26899C	DIA T	43860
22B2897-2	HEIL	•43754	2442177	GMC	39380	270023	GKN	27438
		43752	244415	GMC	1643 ¹	27003053	VOLVO	1643 ¹
22B2910-12	HEIL	•43754			1743 ²			1743 ²
		43752	2444414	GMC	1623 ¹	27003942	VOLVO/GMC/WHITE TRK	
22B2911-12	HEIL	•46300			1723 ²			1643 ¹
		46305	2444415	GMC	1643 ¹			1743 ²
22B2933-1	HEIL	•46300			1743 ²	2701-W/1701RING	STEMCO	•46300
		46305	2444861	GMC	•40129			46305
22B2933-12	HEIL	•46300			40136	27023479	WEST ST	1643 ¹
		46305	2446647	GMC	•43761			1743 ²
22B2933-14	HEIL	1643 ¹			43764	2702W1702RING	STEMCO	•35058
		1743 ²	245020	CLARK MELROE	38709			35066
22B2933-2	HEIL	•46300	2453952	GMC	•35058	2703W/1703(FOR-2)	STEMCO	43875
		46305			35066			w/Eaton 19
22B2933-3	HEIL	•46300	2455043	GMC	1788 ²			
		46305	2455045	GMC	48794			

INTERNET CHANGES

COMPETITOR & MANUFACTURER

SCOTSEAL® TO GREASE SEAL

GREASE SEAL TO SCOTSEAL®

BEARING TO SCOTSEAL®

I N T E R C H A N G E S
 COMPETITOR & MANUFACTURER
 SCOTSEAL® TO GREASE SEAL
 GREASE SEAL TO SCOTSEAL®
 BEARING TO SCOTSEAL®

Mfr. no.	Mfr.	Part no.	Mfr. no.	Mfr.	Part no.	Mfr. no.	Mfr.	Part no.
2703W/1703(FOR-3)	STEMCO	•47692	2783082	BRG INC	•40129	29382	SHULER	•38776
		47697			40136			38780
	Exc. Eaton		2783728	BRG INC	36285	29382	DIA T	•38776
2703W/1703(FOR-4)	STEMCO	45152	2783736	BRG INC	•46300			38780
	w/Eaton 19 ser.				46305	29382	EATON	•38776
2704-W/1704RING	STEMCO	•40129	2784700	BRG INC	•42627			38780
		40136			42623	294769C91	NAVISTAR (IHC)	48884
2705-W/1705RING	STEMCO	•42627	2785582	BRG INC	•40129		w/455019	
		42623			40136	29480	PACCAR PARTS	•29480
2706-W/1706RING	STEMCO	•45093	2785749	BRG INC	•45093	2955464	CHRYSR	45152
		45099			45099	2955840	CHRYSR	•47692
27074960	WHT-TRK	42800	2786036	BRG INC	•43754			47697
27074962	VOLVO/GMC/WHITE TRK				43752	2955-841	CHRYSR	45152
		43875	278615C91	NAVISTAR (IHC)	42800	2955842	CHRYSR	•38776
27074962	WHT-TRK	•47692	278616C91	NAVISTAR (IHC)	42800			38780
		47697	278616C92	NAVISTAR (IHC)	42800	2955843	CHRYSR	43875
2707-W/1707RING	STEMCO	•38776	280886C91	NAVISTAR (IHC)	38747	2960381	CHRYSR	38709
		38780	280951	BROCKWAY	•45157	296-05	DELCO, AC	38750
2707W/1707WGM	STEMCO	38750			45160	296390C91	NAVISTAR (IHC)	•43761
2708-W/1708RING	STEMCO	•44916	280952	BROCKWAY	•38776			43764
		44922			38780	296391C91	NAVISTAR (IHC)	39380
2709-W/1709RING	STEMCO	•43754	280963	BROCKWAY	47699		w/ OEM ring	
		43752	280966	BROCKWAY	42800	296392C91	NAVISTAR (IHC)	48794
2710-W/1706RING	STEMCO	•45095	280971	BROCKWAY	•35058	296393C91	NAVISTAR (IHC)	•35058
		45103			35066			35066
2710-W/1710RING	STEMCO	•45095	280975	BROCKWAY	•35058	296394C91	NAVISTAR (IHC)	43860
		45103			35066	296395C91	NAVISTAR (IHC)	•45157
2711-W/1711RING	STEMCO	•43761	280976	BROCKWAY	•35058			45160
		43764			35066	296396C91	NAVISTAR (IHC)	•38776
27125816	WHT-TRK	•47692	280979	BROCKWAY	1643 ¹			38780
		47697			1743 ³	296409C91	NAVISTAR (IHC)	38709
2712-W/1712RING	STEMCO	•45157	280990	BROCKWAY	43860	296440C91	NAVISTAR (IHC)	•47692
		45160	280995	BROCKWAY	1623 ¹			47697
2713W/1713RING	STEMCO	43860			1723 ³	2965-2400	PTRBLT	•35058
2716W/1761	STEMCO	47699	280998	BROCKWAY	•35058			35066
2717W/1761RING	STEMCO	•48002			35066	296543	ACEADCO	39380
		48000	281132C92	NAVISTAR (IHC)	1665 ¹	296543	ACF	39380
2718W/1705RING	STEMCO	•42673			1765 ²		w/ OEM ring	
		42672	2826094	CHRYSR	43875	296653	ACF	39380
2721W/1721RING	STEMCO	•34971	282-P	DUAL DYN	1642 ¹		w/ OEM ring	
		34975			1742 ²	296653	ACEADCO	39380
2724-W/1724RING	STEMCO	39425	283442C91	NAVISTAR (IHC)	•44916	2972024	CHRYSR	•35058
2727-W/1766RING	STEMCO	•28759			44922			35066
		28758	283842C91	NAVISTAR (IHC)	48794	2972095	CHRYSR	39380
2728-W/1728RING	STEMCO	•34384	283-G	DUAL DYN	1362 ³	2972281	CHRYSR	28820
		34387	285309C91	NAVISTAR (IHC)	39380	2972454	CHRYSR	28820
27438	CR MEX	27438	285310C91	NAVISTAR (IHC)	•35058	2972466	CHRYSR	39380
27438	PACCAR PARTS	27438			35066	2972781	CHRYSR	28820
2757682	GMC	38750	285311C91	NAVISTAR (IHC)	48794	2972782	CHRYSR	38709
2760783	BRG INC	•42627	285667	ACF	•40129	2972981	CHRYSR	•35058
		42623			40136			35066
2769743	BRG INC	43860	28758	CR MEX	•28759	2973650	CHRYSR	48794
2772168	BRG INC	•43761			28758	2973656	CHRYSR	48794
		43764	28758	PACCAR PARTS	•28759	2973680	CHRYSR	48794
2773406	BRG INC	•45157			28758	2974115	CHRYSR	48884
		45160	28820	PACCAR PARTS	28820		w/455019	
2773554	BRG INC	•48002	28820	CR MEX	28820	2974115-2EA	CHRYSR	48884
		48000	28832	CR MEX	28832	2975320	CHRYSR	48796
2773737	BRG INC	•43754	28832	PACCAR PARTS	28832	2975361	CHRYSR	•47692
		43752	290-285	DELCO, AC	•43761			47697
2773877	BRG INC	•35058			43764	2976511	CHRYSR	•35058
		35066	291-158	GMC	•42673			35066
2773927	BRG INC	38750			42672	2976698	CHRYSR	•38776
277428C91	NAVISTAR (IHC)	39380	291-302	DELCO, AC	50124			38780
2779411	BRG INC	•47692	291-306	DELCO, AC	39380	2978604	CHRYSR	48796
		47697	291-71	DELCO, AC	42800	2978965	CHRYSR	•35058
2779510	BRG INC	•42673	292-33	DELCO, AC	47699			35066
		42672	2928694	GMC	38750	2978965-2EA	CHRYSR	•35058
								35066

For in-text symbols, see page 6.

Mfr. no.	Mfr.	Part no.	Mfr. no.	Mfr.	Part no.	Mfr. no.	Mfr.	Part no.
2979098	CHRYSR	28820	2EL348	OSHKOSH	36358	302402	PIONEER WESTERN	42627
298-545	DELCO, AC	44916	2EL680	OSHKOSH	1612 ¹			42623
		44922			1711 ²	302-P	DUAL DYN	1613 ¹
299-10	DELCO, AC	39420	2EL681	OSHKOSH	46300			1703 ²
299-13	DELCO, AC	36285			46305	303	NOK/FREUD	46300
299-16	DELCO, AC	32470	2EL682	OSHKOSH	32470			46305
299-17	DELCO, AC	43860	2EL728	OSHKOSH	36285	30323	EATON	39380
299-19	DELCO, AC	45157	2EL729	OSHKOSH	38776	303403	PIONEER WESTERN	46300
		45160			38780			46305
299-2	DELCO, AC	35058	2EL730	OSHKOSH	45095	303-P	DUAL DYN	1643 ¹
		35066			45103			1743 ²
299-20	DELCO, AC	45093	2EL798	OSHKOSH	44916	304	NOK/FREUD	47692
		45099			44922			47697
299-21	DELCO, AC	38776	2EL874	OSHKOSH	34994	304404	PIONEER WESTERN	43754
		38780			35000			43752
299-22	DELCO, AC	38750	2EP137	OSHKOSH	34384	304-G	DUAL DYN	1343 ³
299-23	DELCO, AC	46300			34387	305	NOK/FREUD	35058
		46305	2EP138	OSHKOSH	42627			35066
299-24	DELCO, AC	42627			42623	305405	PIONEER WESTERN	45093
		42623	2EP351	OSHKOSH	48796			45099
299-29	DELCO, AC	42673	2EP485	OSHKOSH	40129	306	NOK/FREUD	38776
		42672			40136			38780
299-30	DELCO, AC	38709	2EP486	OSHKOSH	28759	306408	PIONEER WESTERN	47699
299-32	DELCO, AC	40129			28758	3064863	PIERCE CO	1310 ³
		40136	2ER133	OSHKOSH	48884	307	NOK/FREUD	45157
299-33	DELCO, AC	43754	2ER141	OSHKOSH	34971			45160
		43752			34975	307-0713	STEMCO	40129
29934	DELCO, AC	55172	2ER142	OSHKOSH	38709			40136
299-35	DELCO, AC	31307	2ER18	OSHKOSH	1627 ¹	307-0723	STEMCO	42627
299-36	DELCO, AC	34384			1727 ²			42623
		34387	2ER207	OSHKOSH	39425	307-0743	STEMCO	46300
299-37	DELCO, AC	43761	2ER360	OSHKOSH	48002			46305
		43764			48000	307-0744	STEMCO	43754
299-38	DELCO, AC	28832	2ER396	OSHKOSH	1788 ²			43752
299-4	DELCO, AC	47692	2ER608	OSHKOSH	39979	307408	PIONEER WESTERN	47692
		47697			39988			47697
299-40	DELCO, AC	42627	2ER609	OSHKOSH	43761	308	NOK/FREUD	48002
		42623			43764			48000
299-43	DELCO, AC	42550	2ER679	OSHKOSH	1733 ³	308-0836	STEMCO	35058
299-44	DELCO, AC	42624	2ER915	OSHKOSH	39979			35066
299-45	DELCO, AC	43754			39988	308-0853	STEMCO	44916
		43752	2ER916	OSHKOSH	40091			44922
299-46	DELCO, AC	40129			40086	308-0855	STEMCO	45095
		40136	2ER917	OSHKOSH	42673			45103
299-48	DELCO, AC	42627			42672	308-0856	STEMCO	45095
		42623	2ER919	OSHKOSH	45093			45103
299-50	DELCO, AC	45152			45099	308-0863	STEMCO	34971
299-6	DELCO, AC	48002	2ET120	OSHKOSH	35060			34975
		48000	2ET346	OSHKOSH	42550	308-0864	STEMCO	43761
299-7	DELCO, AC	47699	2ET513	OSHKOSH	42624			43764
299-8	DELCO, AC	48794	2FH55	OSHKOSH	55177	308-0866	STEMCO	28759
299-9	DELCO, AC	39380	2JG16	KENWTH	40129			28758
29QJ212	MACK	43761			40136	308408	PIONEER WESTERN	48002
		43764	2JG24	KENWTH	39380			48000
29QJ29306	MACK	39979	2JG27	GEMMER	42800	309-0903	STEMCO	45093
		39988	2JG27	KENWTH	42800			45099
2CS81	OSHKOSH	42800	2U2J1190DA	FORD	35058	309-0904	STEMCO	42673
2DE263	OSHKOSH	45162			35066			42672
2EK518	OSHKOSH	47699	301	NOK/FREUD	40129	309-0912	STEMCO	38776
2EL195	OSHKOSH	1613 ¹			40136			38780
		1703 ²	301317	WHT-TRK	31244	3090915	STEMCO	38750
2EL196	OSHKOSH	1787 ²	301401	PIONEER WESTERN	40129	309-0935	STEMCO	34384
2EL197	OSHKOSH	36365			40136			34387
2EL345	OSHKOSH	47692	301-G	DUAL DYN	1311 ³	309-0948	STEMCO	52658
		47697	302	NOK/FREUD	42627	309-0957	STEMCO	39425
2EL346	OSHKOSH	1642 ¹			42623	309-0960	STEMCO	48002
		1742 ²	302193R91	NAVISTAR (IHC)	34384			48000
2EL347	OSHKOSH	35058			34387	309-0961	STEMCO	42800
		35066						

INTERCHANGES

COMPETITOR & MANUFACTURER

SCOTSEAL® TO GREASE SEAL

GREASE SEAL TO SCOTSEAL®

BEARING TO SCOTSEAL®

I N T E R C H A N G E S
 COMPETITOR & MANUFACTURER
 SCOTSEAL® TO GREASE SEAL
 GREASE SEAL TO SCOTSEAL®
 BEARING TO SCOTSEAL®

Mfr. no.	Mfr.	Part no.	Mfr. no.	Mfr.	Part no.	Mfr. no.	Mfr.	Part no.
309-0964	STEMCO	•45157	314755C91	NAVISTAR (IHC)	1623 ¹	320-2029W	1059RING	STEMCO
		45160			1723 ²			39380
309-0965	STEMCO	43860	319506C91	NAVISTAR (IHC)	•44916			w/ OEM ring
309-0970	STEMCO	47699			44922	320-2029W	310-1018	STEMCO
309-0973	STEMCO	43875	32001	TRAILMO	1282 ⁴			39380
309-0973EXCSOME	EATON	STEMCO	320-2001	STEMCO	•39979	320-2029W	310-1029	STEMCO
		•47692			39988			31244
		47697	320-2001W	310-1001	STEMCO	48884		320-2031W
309-0973W	750SHLD	STEMCO			48884			w/ OEM ring
		•47692	320-2001W	310-1095	STEMCO	48884	320-2031W	310-1031
		47697			48884			36365
309-0973W	EATON19SER	STEMCO	320-2001W	310-1103	STEMCO	48884	320-2031W	310-1036
		45152			45093			36365
309-0973W	EATON42D	STEMCO	320-2002W	310-1093	STEMCO	•45099	320-2032W	310-1032
		43860			45099			36285
		w/ OEM ring	320-2003W	310-1013	STEMCO	40139	320-2032W	310-1033
309323C91	NAVISTAR (IHC)	•38776			40139			35060
		38780	320-2003W	310-1027	STEMCO	40139	320-2032W	310-1036
309409	PIONEER WESTERN	•38776			42624			35075
		38780	320-2004W	310-1023	STEMCO	42624	320-2033W	310-1037
3095506	VOLVO TRK NA	1613 ¹			42673			•43761
		1703 ²	320-2005W	310-1025	STEMCO	•42673		43764
3096169	VOLVO TRK NA	•34971			42672			320-2034W
		34975	320-2005W	310-1093	STEMCO	•45157		310-1034
3096171	VOLVO TRK NA	•34384			45160			35060
309755C91	NAVISTAR (IHC)	27438	320-2007W	310-1007	STEMCO	50124	320-2035W	310-1035
309823C91	NAVISTAR (IHC)	38747			48690			35060
3099637	VOLVO TRK NA	1284 ⁴	320-2008W	1028RING	STEMCO			320-2036W
		Grease			48690			310-1036
30QJ232	MACK	•47692	320-2008W	1079RING	STEMCO			•35058
		47697			47690			35066
30QJ256	MACK	•45093			48794			43761
		45099	320-2009	STEMCO	48794			43764
30QJ257	MACK	43860	320-2009W	310-1079	STEMCO	•48002		48794
30QJ258	MACK	•42673			48000			40086
		42672	320-2010W	310-1012	STEMCO	38709		320-2040W
310-0929067	BLUEBIRD	•47692			38709			310-1037
		47697	320-2011W	1120RING	STEMCO	35075		•43754
310-1088	STEMCO	42800			35075			43752
3102610	WHT-TRK	•43761	320-2011W	310-1010	STEMCO	35075	320-2041W	310-1028
		43764			35075			48796
3103514	WHT-TRK	48794	320-2011W	310-1036	STEMCO	35075	320-2041W	310-1043
310410	PIONEER WESTERN	•45157			•38776			45162
		45160	320-2012W	310-1012	STEMCO	•38776	320-2041W	310-1044
3108186	WHT-TRK	•35058			38780			45162
		35066	320-2013W	310-1013	STEMCO	•40129	320-2042W	310-1042
3108189	WHT-TRK	•43761			40136			27438
		43764	320-2013W	310-1027	STEMCO	•40129	320-2043W	310-1009
3108189	VOLVO/GMC/WHITE TRK	•43761			40136			40040
		43764	320-2013W	310-1053	STEMCO	•40129	320-2043W	310-1093
3108192	WHT-TRK	35060			40136			•44916
31100722	VOLVO	•43754	320-2013W	310-1057	STEMCO	•40129		44922
		43752			40136			35075
3113800	VOLVO TRK NA	48794	320-2013W	310-1053	STEMCO	•40129	320-2046W	310-1010
3113800	WHT-TRK	48794			40136			35075
311411	PIONEER WESTERN	43860	320-2013W	310-1057	STEMCO	•40129	320-2046W	310-1036
31149	EATON	43860			40136			•46300
31175	FRT-LNR	31175	320-2013W	310-1057	STEMCO	•40129		46305
31175	PACCAR PARTS	31175			40136			38747
31175	CR MEX	31175	320-2013W	310-1057	STEMCO	•40129	320-2049W	310-1012
31244	CR MEX	31244			40136			38747
31244CHR	PACCAR PARTS	31244	320-2014W	310-1014	STEMCO	42800	320-2050W	310-1052
31281	CR MEX	31281			42800			31175
31281	PACCAR PARTS	31281	320-2016W	310-1011	STEMCO	•39979	320-2055W	310-1059
31307	CR MEX	31307			39988			•40091
31307	PACCAR PARTS	31307	320-2016W	310-1012	STEMCO	38750		40086
31307	SNR	31307			38750			320-2057W
31475	EATON	38709	320-2016W	310-1018	STEMCO	39420	320-2057W	310-1062
					32470			34387
			320-2017W	310-1017	STEMCO	32470	320-2057W	310-1063
					28820			•35000
			320-2018W	310-1008	STEMCO	28820	320-2058W	310-1093
					36365			44964
			320-2020W	310-1020	STEMCO	36365	320-2059W	310-1089
					36365			55177
			320-2021W	1079(FOR1)	STEMCO			320-2061W
					43875			310-1066
					Exc. Eaton 18			48690
			320-2021W	310-1021	STEMCO	43875	320-2064W	310-1051
					43875			31281
			320-2021W	310-1043	STEMCO	43875	320-2072W	310-1064
					43875			•31307
			320-2021W	310-1085	STEMCO	43875	320-2086W	310-1013
					43875			•40091
			320-2021W	310-1087	STEMCO	43875		40086
					43875			320-2091W
			320-2021W	1079(FOR3)	STEMCO			OEMRING
					43875			STEMCO
					31244			42550
			320-2022W	310-1016	STEMCO	31244		w/455024
					31244			320-2095W
			320-2022W	310-1050	STEMCO	31244		310-1088
					43800			•42673
			320-2023	STEMCO	43800			42672
			320-2023W	310-1022	STEMCO	46390	320-2096W	310-1007
					46390			STEMCO
			320-2023W	310-1041	STEMCO	46390	320-2099W	310-1089
					46390			STEMCO
			320-2023W	315-1503	STEMCO	46390	320-2101W	310-1032
					47699			36285
			320-2024W	310-1079	STEMCO	47699	320-2101W	310-1033
					47699			STEMCO
			320-2024W	310-1087	STEMCO	47699	320-2101W	310-1036
					43860			STEMCO
			320-2025W	310-1026	STEMCO	43860	320-2102	STEMCO
					43865			38747
			320-2026W	310-1026	STEMCO	43865	320-2102W	1091GMC
					48794			STEMCO
			320-2028W	310-1028	STEMCO	48794	320-2102W	1091IHC
								STEMCO
								Exc. GMC & IHC
								38747
								320-2102W
								1501GMC
								STEMCO
								38750

320-2102W/1501IHC-32QJ131A

Mfr. no.	Mfr.	Part no.	Mfr. no.	Mfr.	Part no.	Mfr. no.	Mfr.	Part no.
320-2102W/1501IHC	STEMCO	38747	320-2115W/310-1094	STEMCO	48002	327-2127W/317-1721	STEMCO	34971
	Exc. GMC & IHC				48000			34975
320-2103W/1092RING	STEMCO	27438	320-2115W/310-1107	STEMCO	47483	327-2701W/1701RING	STEMCO	
320-2104W/310-1018	STEMCO	39425	320-2115W/310-1111	STEMCO	47690			46300
320-2105W/310-1008	STEMCO	28832	320-2115W/315-1502	STEMCO	47690			46305
320-2106	STEMCO	47692	320-2117W/310-1014	STEMCO	42800	327-2702W/1702	STEMCO	35058
		47697	320-2117W/315-1509	STEMCO	42800			35066
320-2106W/1094(FOR1)	STEMCO		320-2118	STEMCO	43754	327-2703W/1703(FOR1)	STEMCO	
		47692			43752			43875
		47697	320-2118W/310-1037	STEMCO	43754		w/Eaton 19	
	Exc. Eaton				43752	327-2703W/1703(FOR2)	STEMCO	
320-2106W/1094(FOR2)	STEMCO		320-2118W/315-1510	STEMCO	43754			47692
		43875			43752			47697
	w/Eaton 18		320-2125W/1051(FOR1)	STEMCO			Exc. Eaton	
320-2106W/1094(FOR3)	STEMCO				31281	327-2703W/1703(FOR3)	STEMCO	
		45152		w/ OEM ring				45152
	w/Eaton 19 ser.		320-2125W/1501(FOR2)	STEMCO			w/Eaton 19 ser.	
320-2106W/1111(FOR1)	STEMCO				31281	327-2703W/1703(FOR4)	STEMCO	
		47692		w/ OEM ring				43860
		47697	320-2129	STEMCO	45093		w/Eaton 42D	
	Exc. Eaton				45099	327-2704W/1704RING	STEMCO	
320-2106W/1111(FOR2)	STEMCO		320-2129W/1093RING	STEMCO				40129
		43875			45093			40136
	w/Eaton 18				45099	327-2705W/1705RING	STEMCO	
320-2106W/1111(FOR3)	STEMCO		320-2129W/315-1511	STEMCO	45093			42627
		45152			45099			42623
	w/Eaton 19 ser.		320-2131W/1026	STEMCO	43865	327-2707W/317-1707	STEMCO	38776
320-2106W/1502(FOR1)	STEMCO		320-2131W/315-1508	STEMCO	43865			38780
		47692	320-2132W/1088RING	STEMCO		327-2708W/317-1708	STEMCO	44916
		47697			42673			44922
	Exc. Eaton axle				42672	327-2709W/317-1709	STEMCO	43754
320-2106W/1502(FOR2)	STEMCO		320-2133W/310-1036	STEMCO	34971			43752
		43875			34975	327-2710W/317-1706	STEMCO	45095
	w/Eaton 18		320-2136W/310-1064	STEMCO	31281			45103
320-2106W/1502(FOR3)	STEMCO		320-2137	STEMCO	43761	327-2710W/317-1710	STEMCO	45095
		45152			43764			45103
	w/Eaton 19 ser.		320-2137W/310-1037	STEMCO	43761	327-2711W/317-1711	STEMCO	43761
320-2106W/315-1525	STEMCO	47692			43764			43764
		47697	320-2162W/1111RING	STEMCO	47699	327-2712W/317-1712	STEMCO	45157
320-2109W/310-1013	STEMCO	40129	320-2162W/1502RING	STEMCO				45160
		40136			47699	327-2724W/317-1724	STEMCO	39425
320-2109W/310-1027	STEMCO	40129	320-2164W/310-1008	STEMCO	28759	327-2727W/317-1766	STEMCO	28759
		40136			28758			28758
320-2109W/310-1053	STEMCO	40129	320-2165W/1093RING	STEMCO		327-2728W/317-1728	STEMCO	34384
		40136			45095			34387
320-2109W/310-1057	STEMCO	40129			45103	32QJ00127A	MACK	47692
		40136	320-2173W/1503RING	STEMCO				47697
320-2109W/315-1507	STEMCO	40129			42624	32QJ10321	MACK	35058
		40136	320-2173W/310-1023	STEMCO	42624			35066
320-2110W/310-1048	STEMCO	46300	320-2181W/1009RING	STEMCO		32QJ111C	MACK	31244
		46305			40040		w/ OEM ring	
320-2110W/315-1504	STEMCO	46300	320-2181W/1093RING	STEMCO		32QJ112B	MACK	43865
		46305			44916			31244
320-2113W/310-1002	STEMCO	45157			44922	32QJ114-1EA	MACK	
		45160	320-2184W/1093RING	STEMCO			w/ OEM ring	
320-2113W/310-1093	STEMCO	45157			45095	32QJ115A	MACK	36365
		45160			45103			31244
320-2113W/315-1517	STEMCO	45157	320-2213	STEMCO	42673	32QJ116B	MACK	
		45160			42672		w/ OEM ring	
320-2114W/1508(FOR1)	STEMCO		320-2216W/310-1034	STEMCO	36358	32QJ117B	MACK	50124
		43860	320J252	DANA-SPICER	43761			45093
	Exc. Eaton 42D				43764			45099
320-2114W/1508(FOR2)	STEMCO		32470	CR MEX	32470	32QJ119	MACK	38709
		43860	32470	PACCAR PARTS	32470			36365
	w/ OEM ring		325-2102	STEMCO	38776	32QJ120	MACK	36365
320-2114W/310-1026	STEMCO	43860			38780			47692
320-2114W/315-1508	STEMCO	43860	326283C91	NAVISTAR (IHC)	42800	32QJ121A	MACK	47697
	w/Eaton 42D		3262W179	R-STD	1627 ¹			48794
					1727 ²	32QJ127A	MACK	43761
								43764

INTERNET CHANGES

COMPETITOR & MANUFACTURER

SCOTSEAL® TO GREASE SEAL

GREASE SEAL TO SCOTSEAL®

BEARING TO SCOTSEAL®

INTERCHANGES

COMPETITOR & MANUFACTURER

SCOTSEAL® TO GREASE SEAL

GREASE SEAL TO SCOTSEAL®

BEARING TO SCOTSEAL®

Mfr. no.	Mfr.	Part no.	Mfr. no.	Mfr.	Part no.	Mfr. no.	Mfr.	Part no.
32QJ132A	MACK	•43761	32QJ19325	MACK	•47692	32QJ242	MACK	43865
		43764			47697	32QJ243	MACK	•42673
32QJ133A	MACK	38709	32QJ19326	MACK	42800			42672
32QJ135A	MACK	•42673	32QJ19327	MACK	•35058	32QJ245	MACK	•43761
		42672			35066			43764
32QJ136A	MACK	42800	32QJ19329	MACK	•38776	32QJ246	MACK	35075
32QJ137	MACK	35075			38780	32QJ248	MACK	•39979
	w/ OEM ring		32QJ1932S	MACK	•47692			39988
32QJ137-1EA	MACK	35075			47697	32QJ248	DANA-SPICER	•39979
32QJ138	MACK	35075	32QJ19332	MACK	•39979			39988
	w/ OEM ring				39988	32QJ249	MACK	•43754
32QJ138-2EA	MACK	35075	32QJ19336	MACK	•47692			43752
32QJ140	MACK	38709			47697	32QJ250	MACK	•38776
32QJ144	MACK	31244	32QJ19337	MACK	•45093			38780
	w/ OEM ring				45099	32QJ252	MACK	•43761
32QJ144-1EA	MACK	31244	32QJ19340	MACK	•35058			43764
32QJ150	MACK	43860			35066	32QJ252	DANA-SPICER	•43761
32QJ152	MACK	•39979	32QJ19351	MACK	•43761			43764
		39988			43764	32QJ262	MACK	•39979
	w/455031		32QJ19352	MACK	43860			39988
32QJ152-1EA	MACK	•39979	32QJ19353	MACK	•47692	32QJ263	SPICER	•45093
		39988			47697			45099
32QJ153	MACK	43860	32QJ19354	MACK	•47692	32QJ264	SPICER	•42673
32QJ156	MACK	43800			47697			42672
	w/ OEM ring		32QJ19356	MACK	•45157	32QJ-265	SPICER	•48002
32QJ156-1EA	MACK	43800			45160			48000
32QJ158-1	MACK	•43761	32QJ19358	MACK	36365	32QJ279	MACK	55177
		43764	32QJ19360	MACK	38709	32QJ281	MACK	•47693
32QJ158-1EA	MACK	•43761	32QJ19366	MACK	•35058			47693
		43764			35066	32QJ282	MACK	•35103
32QJ159	MACK	31244	32QJ19367	MACK	•43761			35103
	w/ OEM ring				43764	32QJ29302	MACK	•35058
32QJ159-1EA	MACK	31244	32QJ19368	MACK	•43761			35066
	w/ OEM ring				43764	32QJ29304	MACK	•38776
32QJ160	MACK	•43761	32QJ19369	MACK	•38776			38780
		43764			38780	32QJ329	MACK	•38776
32QJ160-1EA	MACK	•43761	32QJ19370	MACK	•39979			38780
		43764			39988	32QJ329-2EA	MACK	•38776
32QJ161	MACK	•39979	32QJ19371	MACK	•35058			38780
		39988			35066	32QJ330	MACK	43860
	w/455031		32QJ19376	MACK	•43761	32QJ330-2EA	MACK	43860
32QJ161-1EA	MACK	•39979			43764	32QT19372	MACK	•43761
		39988	32QJ223	MACK	31244			43764
32QJ162	MACK	43800			w/ OEM ring	32QT19374	MACK	•38776
	w/ OEM ring		32QJ224	MACK	36365			38780
32QJ162-1EA	MACK	43800	32QJ225	MACK	•39979	33078-3404	WEST ST	•47692
32QJ164	MACK	•38776			39988			47697
		38780			w/455031	33078-3406	WEST ST	•38776
32QJ165	MACK	•40129	32QJ226	MACK	•43761			38780
		40136			43764	33078-3407	WEST ST	•47692
32QJ166	MACK	•43754	32QJ227	MACK	43865			47697
		43752	32QJ228	MACK	48794	330S550	UOS	39420
32QJ170	MACK	•46300	32QJ229	MACK	42800	331471C91	NAVISTAR (IHC)	38747
		46305	32QJ230	MACK	•45093	334386	BROCKWAY	47699
32QJ19301	MACK	•35058			45099	337711C91	NAVISTAR (IHC)	•38776
		35066	32QJ231	MACK	50124			38780
32QJ19302	MACK	48794	32QJ233	MACK	•42673	337711C92	NAVISTAR (IHC)	•38776
32QJ19303	MACK	•35058			42672			38780
		35066	32QJ235	MACK	43800	340106C91	NAVISTAR (IHC)	43860
32QJ19320	MACK	•35058	32QJ237	MACK	•47692			w/ OEM ring
		35066			47697	340106C92	NAVISTAR (IHC)	43860
32QJ19321	MACK	•35058	32QJ238	MACK	31244	340107C92	NAVISTAR (IHC)	•45157
		35066			w/ OEM ring			45160
32QJ19322	MACK	48794	32QJ238A	MACK	31244	34020	EATON	50124
32QJ19323	MACK	•43761			w/ OEM ring	340-4002	STEMCO	1627 ¹
		43764	32QJ239	MACK	•42673	340-4009	STEMCO	1643 ¹
32QJ19324	MACK	•43761			42672			1743 ²
		43764	32QJ241	MACK	•45093	340-4013	STEMCO	1642 ¹
					45099			1742 ²

For in-text symbols, see page 6.

340-4014-35066

Mfr. no.	Mfr.	Part no.	Mfr. no.	Mfr.	Part no.	Mfr. no.	Mfr.	Part no.
340-4014	STEMCO	1630 ¹	341SR52	MACK	•35058	343-4195	STEMCO	1696 ¹
340-4019	STEMCO	1627 ¹			35066			1796 ²
340-4024	STEMCO	1612 ¹	342-4009	STEMCO	13313	343-4249	STEMCO	1613 ¹
		1711 ²	342-4013	STEMCO	1362 ³			1703 ²
340-4025	STEMCO	1669 ¹	342-4024	STEMCO	1311 ³	3434250	STEMCO	1343 ³
340-4028	STEMCO	1715 ²	342-4075	STEMCO	1284 ⁴	343-4350	STEMCO	1943 ¹
340-4029	STEMCO	1681 ¹			Grease	343-4352	STEMCO	1996 ¹
340-4034	STEMCO	1670 ¹	342-4095	STEMCO	1643 ¹	343-4370	STEMCO	1943 ¹
		1770 ²			1743 ²	343-4372	STEMCO	1996 ¹
340-4036	STEMCO	1702 ¹	343-4002	STEMCO	1627 ¹	34381	EATON	50124
340-4041	STEMCO	1623 ¹	343-4009	STEMCO	1643 ¹	34384	FRT-LNR	•34384
		1723 ²			1743 ²	34384	PACCAR PARTS	•34384
340-4042	STEMCO	1665 ¹	343-4013	STEMCO	1642 ¹	34386	CR MEX	•34384
		1765 ²			1742 ²	34386	FRT-LNR	•34384
340-4046	STEMCO	1643 ¹	343-4014	STEMCO	1630 ¹	34387	FRT-LNR	•34384
		1743 ²	343-4018	STEMCO	1715 ²			34387
340-4050	STEMCO	1665 ¹	343-4019	STEMCO	1627 ¹	34387	PACCAR PARTS	•34384
		1765 ²	343-4024	STEMCO	1612 ¹			34387
340-4059	STEMCO	1698 ¹			1711 ²	34387	CR MEX	•34384
		1798 ²	343-4025	STEMCO	1669 ¹			34387
340-4065	STEMCO	1608 ¹	343-4028	STEMCO	1715 ²	344386	BROCKWAY	47699
340-4066	STEMCO	1623 ¹	343-4029	STEMCO	1681 ¹	3459952	CHRYSR	•35058
		1723 ²	343-4034	STEMCO	1670 ¹			35066
340-4068	STEMCO	1698 ¹			1770 ²	347-4009	STEMCO	1600 ¹
		1798 ²	343-4036	STEMCO	1702 ¹	347-4013	STEMCO	1601 ¹
340-4075	STEMCO	1282 ⁴	343-4042	STEMCO	1665 ¹	348-4009	STEMCO	1642 ¹
340-4076	STEMCO	1698 ¹			1765 ²			1742 ²
		1798 ²	343-4046	STEMCO	1643 ¹	348-4013	STEMCO	1642 ¹
340-4080	STEMCO	1698 ¹			1743 ²			1742 ²
		1798 ²	343-4050	STEMCO	1665 ¹	348-4024	STEMCO	1612 ¹
340-4091	STEMCO	1612 ¹			1765 ²			1711 ²
		1711 ²	343-4057	STEMCO	1754 ²	348-4195	STEMCO	1696 ¹
340-4092	STEMCO	1787 ²	343-4059	STEMCO	1698 ¹			1796 ²
340-4093	STEMCO	1788 ²			1798 ²	349-4009	STEMCO	1343 ³
340-4094	STEMCO	1643 ¹	343-4065	STEMCO	1608 ¹	349-4024	STEMCO	1311 ³
		1743 ²	343-4066	STEMCO	1623 ¹	349-4195	STEMCO	1399 ³
340-4095	STEMCO	1643 ¹			1723 ²	34971	PACCAR PARTS	•34971
		1743 ²	343-4072	STEMCO	1670 ¹	34972	CR MEX	•34971
340-4098	STEMCO	1691 ¹			1770 ²	34975	FRT-LNR	•34971
		1790 ²	343-4075	STEMCO	1282 ⁴			34975
340-4103	STEMCO	1643 ¹	343-4080	STEMCO	1698 ¹	34975	PACCAR PARTS	•34971
		1743 ²			1798 ²			34975
340-4147	STEMCO	1613 ¹	343-4091	STEMCO	1612 ¹	34975	CR MEX	•34971
		1703 ²			1711 ²			34975
340-4195	STEMCO	1696 ¹	343-4092	STEMCO	1787 ²	34994	PACCAR PARTS	•34994
		1796 ²	343-4093	STEMCO	1788 ²	34999	CR MEX	•34994
340-4249	STEMCO	1613 ¹	343-4094	STEMCO	1643 ¹	35000	CR MEX	•34994
		1703 ²			1743 ²			35000
340-4263	STEMCO	1612 ¹	343-4095	STEMCO	1643 ¹	35000	FRT-LNR	•34994
		1711 ²			1743 ²			35000
340-4350	STEMCO	1443 ³	343-4098	STEMCO	1691 ¹	35000CHR	PACCAR PARTS	•34994
340-4352	STEMCO	1499 ³			1790 ²			35000
340-4370	STEMCO	1443 ³	343-4103	STEMCO	1643 ¹	350119C91	NAVISTAR (IHC)	•38776
340-4372	STEMCO	1499 ³			1743 ²			38780
340-5096	STEMCO	1343 ³	343-4113	STEMCO	1643 ¹	3503168	FRT-LNR	1643 ¹
340D2	REO	•35058			1743 ²			1743 ²
		35066	343-4124	STEMCO	1612 ¹	35058	PACCAR PARTS	•35058
341SR22	MACK	31244			1711 ²			35066
		w/ OEM ring	343-4128	STEMCO	1715 ²	35059	CR MEX	•35058
341SR24	MACK	•43761	343-4131	STEMCO	1643 ¹			35066
		43764			1743 ²	35059	FRT-LNR	•35058
341SR26	MACK	•39979	343-4141	STEMCO	1612 ¹			35066
		39988			1711 ²	35060	CR MEX	35060
341SR27	MACK	43865	343-4147	STEMCO	1613 ¹	35060CHR	PACCAR PARTS	35060
341SR34	MACK	50124			1703 ²	35066	KENWTH	•35058
341SR35	MACK	•45093	343-4149	STEMCO	1613 ¹			35066
		45099			1703 ²	35066	PTRBLT	•35058
341SR41	MACK	42800	343-4164	STEMCO	1698 ¹			35066
					1798 ²			

INTERNET CHANGES

COMPETITOR & MANUFACTURER

SCOTSEAL® TO GREASE SEAL

GREASE SEAL TO SCOTSEAL®

BEARING TO SCOTSEAL®

For in-text symbols, see page 6.

35066-370012AW/AR-7RING

INTERCHANGES

COMPETITOR & MANUFACTURER

SCOTSEAL® TO GREASE SEAL

GREASE SEAL TO SCOTSEAL®

BEARING TO SCOTSEAL®

Mfr. no.	Mfr.	Part no.	Mfr. no.	Mfr.	Part no.	Mfr. no.	Mfr.	Part no.
35066	CR MEX	•35058	363SERIES	MECHNX/BARRIER		370005A	NATL D AUTO SEAL	•48002
		35066			•48002			48000
35066	PACCAR PARTS	•35058			48000	370005A	AEXCGMC	TIMKENSEALS
		35066	364000SERIES	MECHNX/BARRIER				•48002
35066	FRT-LNR	•35058			44964			48000
		35066	364300	MECHNX/BARRIER	44964	370005A	AEXCGMC	NATL D AUTO SEAL
35070	TIMKENSEALS	50124	364400	MECHNX/BARRIER	44964			•48002
35070	NATL D AUTO SEAL	50124	364SERIES	MECHNX/BARRIER				48000
35072	PACCAR PARTS	35072			44964	370005A	AW/GMC	NATL D AUTO SEAL
35072	CR MEX	35072	364SZ100	MACK	•35058			47690
35075	CR MEX	35075			35066	370005A	AW/GMC	TIMKENSEALS
35075	PACCAR PARTS	35075	364SZ202	MACK	•47692			47690
35103CHR	PACCAR PARTS	•35103			47697	370006A	CAR QUEST	47699
		35103	364SZ203	MACK	42800	370006A	TIMKENSEALS	47699
3528090C1	NAVISTAR (IHC)	•35103	364SZ206	MACK	•35058	370006A	KAMAN	47699
		35103			35066	370006A	NATL D AUTO SEAL	47699
3528091C1	NAVISTAR (IHC)	•47693	365000SERIES	MECHNX/BARRIER		370007A	CAR QUEST	48794
		47693			48690	370007A	KAMAN	48794
3530	UOS	43860	36506	EATON	•38776	370007A	TIMKENSEALS	48794
3582	BUR WOOD	•45093			38780	370007A	NATL D AUTO SEAL	48794
		45099	365300	MECHNX/BARRIER	48690	370008A	TIMKENSEALS	39380
358400	MECHNX/BARRIER	44964	365400	MECHNX/BARRIER	48690	370008A	NATL D AUTO SEAL	39380
359917C91	NAVISTAR (IHC)	•35058	365SERIES	MECHNX/BARRIER		370008A	KAMAN	39380
		35066			48690	370008A	APU	39380
359918C91	NAVISTAR (IHC)	•35058	36898J	DIA T	•45093	370008A	CAR QUEST	39380
		35066			45099	370009A	GREEN BALL BEARING	
359920C91	NAVISTAR (IHC)	•44916	36899R	DIA T	38709			39420
		44922	36SR13	KENWTH	48794	370009A	NATL D AUTO SEAL	39420
359922C91	NAVISTAR (IHC)	•43761	36SR13	MACK	48794	370009A	CAR QUEST	39420
		43764	370000SERIES	MECHNX/BARRIER		370009A	TIMKENSEALS	39420
359926C91	NAVISTAR (IHC)	•38776			•38776	370009BG	NATL D AUTO SEAL	39420
		38780	370001A	NATL D AUTO SEAL	•35058	370009BG	TIMKENSEALS	39420
359928C91	NAVISTAR (IHC)	•45157			35066	370010A	TIMKENSEALS	28820
		45160	370001A	TIMKENSEALS	•35058	370010A	CAR QUEST	28820
35A12890	WHT-TRK	•46300			35066	370010A	KAMAN	28820
		46305	370001A	CAR QUEST	•35058	370010A	NATL D AUTO SEAL	28820
35A12890	WHI FRM	•46300			35066	370011A	TIMKENSEALS	36358
		46305	370001A	KAMAN	•35058	370011A	CAR QUEST	36358
36	KENWTH	48794			35066	370011A	NATL D AUTO SEAL	36358
361400	MECHNX/BARRIER	•47692	370001A	GREEN BALL BEARING		370011A	GREEN BALL BEARING	
		47697			•35058			36358
361SERIES	MECHNX/BARRIER				35066	370011AW/AR-1RING	NATL D AUTO SEAL	36365
		•47692	370002A	CAR QUEST	35075			w/ OEM ring
		47697	370002A	KAMAN	35075	370011AW/AR-1RING	TIMKENSEALS	
362000	MECHNX/BARRIER	42800	370002A	NATL D AUTO SEAL	35075			36365
362300	MECHNX/BARRIER	42800	370002A	TIMKENSEALS	35075			w/ OEM ring
362400	MECHNX/BARRIER	42800	370003A	CAR QUEST	•47692	370011AW/AR-4RING	NATL D AUTO SEAL	36365
362402R91	NAVISTAR (IHC)	36285			47697			w/ OEM ring
3627	STRICK	•46300	370003A	NATL D AUTO SEAL	•47692	370011AW/AR-4RING	TIMKENSEALS	36365
		46305			47697			36365
36285	FRT-LNR	36285	370003A	GREEN BALL BEARING		370012A	GREEN BALL BEARING	
36285	CR MEX	36285			•47691			36285
36285	PACCAR PARTS	36285	370003A	KAMAN	•47693	370012A	KAMAN	36285
362SERIES	MECHNX/BARRIER				47693	370012A	NATL D AUTO SEAL	36285
		42800	370003A	TIMKENSEALS	•47692	370012A	TIMKENSEALS	36285
363000SERIES	MECHNX/BARRIER				47697	370012A	CAR QUEST	36285
		•48002	370004A	TIMKENSEALS	48884	370012AW/AR-6RING	TIMKENSEALS	
		48000			w/455019			36285
363300	MECHNX/BARRIER	•48002	370004A	CAR QUEST	48884			w/ OEM ring
		48000	370004A	KAMAN	48884	370012AW/AR-6RING	NATL D AUTO SEAL	36285
3633679	CHRYSR	•43761			48884			w/ OEM ring
		43764	370004A	NATL D AUTO SEAL	48884			36285
363400	MECHNX/BARRIER	•48002			w/455019	370012AW/AR-7RING	NATL D AUTO SEAL	35060
		48000	370005A	CAR QUEST	•48002			w/ OEM ring
36358	CR MEX	36358			48000	370012AW/AR-7RING	NATL D AUTO SEAL	
36358CHR	PACCAR PARTS	36358	370005A	KAMAN	•48002			35060
36365	PACCAR PARTS	36365			48000			w/ OEM ring
36365	CR MEX	36365	370005A	TIMKENSEALS	•48002			
363716	WHT-TRK	31307			48000			

For in-text symbols, see page 6.

370012AW/AR-7RING-370065A

Mfr. no.	Mfr.	Part no.	Mfr. no.	Mfr.	Part no.	Mfr. no.	Mfr.	Part no.
370012AW/AR-7RING	TIMKENSEALS		370023A	NATL D AUTO SEAL	•38776	370036A	CAR QUEST	•40129
		35060			38780			40136
		w/ OEM ring	370023A	CAR QUEST	•38776	370036A	KAMAN	•40129
370013A	KAMAN	35075			38780			40136
370013A	TIMKENSEALS	35075	370024A	TIMKENSEALS	38750	370037A	NATL D AUTO SEAL	•43754
		w/ OEM ring	370024A	NATL D AUTO SEAL	38750			43752
370013A	CAR QUEST	35075	370024A	CAR QUEST	38750	370037A	TIMKENSEALS	•43754
		w/ OEM ring	370024A	GREEN BALL BEARING				43752
370013A	NATL D AUTO SEAL	35075			38750	370037A	KAMAN	•43754
		w/ OEM ring	370025A	NATL D AUTO SEAL	•46300			43752
370014A	TIMKENSEALS	31281			46305	370037A	CAR QUEST	•43754
370014A	NATL D AUTO SEAL	31281	370025A	TIMKENSEALS	•46300			43752
370014A	CAR QUEST	31281			46305	370043A	TIMKENSEALS	55172
370014A/AR5RING	NATL D AUTO SEAL	31244	370025A	KAMAN	•46300	370043A	KAMAN	55172
					46305	370043A	NATL D AUTO SEAL	55172
370014A/AR5RING	TIMKENSEALS	31244	370025A	CAR QUEST	•46300	370043A	CAR QUEST	55172
					46305	370046A	CAR QUEST	31307
370014AW/AR-13RING	NATL D AUTO SEAL	31281	370026A	TIMKENSEALS	46390	370046A	GREEN BALL BEARING	31307
		w/ OEM ring	370026A	KAMAN	46390			31307
370014AW/AR-13RING	TIMKENSEALS	31281	370026A	CAR QUEST	46390	370046A	NATL D AUTO SEAL	31307
370015A	NATL D AUTO SEAL	40040	370026A	NATL D AUTO SEAL	46390	370046A	TIMKENSEALS	31307
370015A	TIMKENSEALS	40040			46390	370047A	CAR QUEST	•34384
370015A	CAR QUEST	40040			w/450208			34387
370018A	ABI	32470	370026AW/AR-2RING	NATL D AUTO SEAL	46390	370047A	KAMAN	•34384
370018A	CAR QUEST	32470			w/450208	370047A	GREEN BALL BEARING	•34384
370018A	GREEN BALL BEARING	32470	370028A	TIMKENSEALS	50124			34387
			370028A	NATL D AUTO SEAL	50124	370047A	TIMKENSEALS	•34384
370018A	KAMAN	32470	370028A	CAR QUEST	50124			34387
370018A	PREC. IND.	32470	370028A	KAMAN	50124	370047A	APU	•34384
370018A	PRO FIT	32470	370030A	KAMAN	42800	370047A	NATL D AUTO SEAL	•34384
370018A	PRONTO	32470	370030A	NATL D AUTO SEAL	42800			34387
370018A	PWR TRN COMP	32470	370030A	CAR QUEST	42800	370048A	ABI	•43761
370018A	APU	32470	370030A	TIMKENSEALS	42800			43764
370018A	NATL D AUTO SEAL	32470	370031A	KAMAN	•42673	370048A	ABD	•43761
370018A	TIMKENSEALS	32470			42672			43764
370018AW/AR-8RING	NATL D AUTO SEAL	31244	370031A	NATL D AUTO SEAL	•42673	370048A	BOS	•43761
		w/ OEM ring			42672			43764
370018AW/AR-8RING	TIMKENSEALS	31244	370031A	CAR QUEST	•42673	370048A	CAR QUEST	•43761
		w/ OEM ring			42672			43764
370019A	NATL D AUTO SEAL	43860	370031A	TIMKENSEALS	•42673	370048A	KAMAN	•43761
370019A	TIMKENSEALS	43860			42672			43764
370019A	KAMAN	43860	370033A	NATL D AUTO SEAL	38709	370048A	PREC. IND.	•43761
370019A	CAR QUEST	43860			w/455031			43764
370021A	NATL D AUTO SEAL	•45157	370033A	CAR QUEST	•39979	370048A	NATL D AUTO SEAL	•43761
		45160			39988			43764
370021A	TIMKENSEALS	•45157			w/455031	370048A	TIMKENSEALS	•43761
		45160	370033A	KAMAN	38709			43764
370021A	CAR QUEST	•45157	370033A	TIMKENSEALS	•39979	370051A	CAR QUEST	46396
		45160			39988	370051A	KAMAN	46396
370022A	CAR QUEST	•45093			w/455031	370051A	NATL D AUTO SEAL	46396
		45099	370033AW/AR-12RING	NATL D AUTO SEAL	•39979	370051A	TIMKENSEALS	46396
370022A	KAMAN	•45093			39988	370054A	TIMKENSEALS	28832
		45099			w/455031	370054A	CAR QUEST	28832
370022A	NATL D AUTO SEAL	•45093	370033AW/AR-12RING	TIMKENSEALS	•39979	370054A	KAMAN	28832
		45099			39988	370054A	NATL D AUTO SEAL	28832
370022A	TIMKENSEALS	•45093			w/455031	370057A	TIMKENSEALS	48796
		45099	370034A	NATL D AUTO SEAL	43875	370057A	CAR QUEST	48796
370023A	TIMKENSEALS	•38776	370034A	TIMKENSEALS	43875	370057A	KAMAN	48796
		38780	370034A	CAR QUEST	43875	370065A	NATL D AUTO SEAL	48796
370023A	GREEN BALL BEARING	•38776	370034A	KAMAN	43875	370065A	CAR QUEST	•42627
		38780	370036A	NATL D AUTO SEAL	•40129			42623
370023A	KAMAN	•38776			40136	370065A	KAMAN	•42627
		38780			40129			42623
					40136	370065A	NATL D AUTO SEAL	•42627
								42623
								42627
								42623

INTERCHANGES

COMPETITOR & MANUFACTURER

SCOTSEAL® TO GREASE SEAL

GREASE SEAL TO SCOTSEAL®

BEARING TO SCOTSEAL®

INTERCHANGES

COMPETITOR & MANUFACTURER

SCOTSEAL® TO GREASE SEAL

GREASE SEAL TO SCOTSEAL®

BEARING TO SCOTSEAL®

Mfr. no.	Mfr.	Part no.	Mfr. no.	Mfr.	Part no.	Mfr. no.	Mfr.	Part no.
370066A	TIMKENSEALS	•40091	370131A	TIMKENSEALS	•45095	370199A	KAMAN	•23590
		40086			45103	370199A	NATL D AUTO SEAL	•23590
370066A	KAMAN	•40091	370132A	APU	•34971	370199A	TIMKENSEALS	•23590
		40086	370132A	CAR QUEST	•34971	370211A	TIMKENSEALS	•29480
370066A	NATL D AUTO SEAL	•40091			34975	370211A	NATL D AUTO SEAL	•29480
		40086	370132A	NATL D AUTO SEAL	•34971	370211A	KAMAN	•29480
370066A	CAR QUEST	•40091			34975	370300	MECHNX/BARRIER	•38776
		40086	370132A	GREEN BALL BEARING				38780
370066AW/AR-11RING					•34971	370338A	NATL D AUTO SEAL	•43754
NATL D AUTO SEAL		•40091	370132A	TIMKENSEALS	•34971			43752
		40086			34975	370338A	KAMAN	•43754
					•34971			43752
			370132A	KAMAN	•34971	370338A	CAR QUEST	•43754
370066AW/AR-11RING			370145A	CAR QUEST	31175			43752
TIMKENSEALS		•40091	370145A	KAMAN	31175	370338A	TIMKENSEALS	•43754
		40086	370145A	NATL D AUTO SEAL	31175			43752
370069A	TIMKENSEALS	52658	370145A	TIMKENSEALS	31175			43752
370069A	CAR QUEST	52658	370150A	NATL D AUTO SEAL	•28759	370349A	KAMAN	•40129
370069A	KAMAN	52658			28758			40136
370069A	NATL D AUTO SEAL	52658	370150A	CAR QUEST	•28759	370349A	NATL D AUTO SEALS	
370086A	TIMKENSEALS	45152			28758			•40129
370086A	NATL D AUTO SEAL	45152	370150A	TIMKENSEALS	•28759			40136
370086A	KAMAN	45152			28758	370349A	TIMKENSEALS	•40129
370086A	CAR QUEST	45152	370150A	APU	•28759			40136
370106A	TIMKENSEALS	42550			28758	370349A	CAR QUEST	40139
			370150A	KAMAN	•28759			27438
					28758	370352A	NATL D AUTO SEAL	27438
370106A	NATL D AUTO SEAL	42550	370165A	TIMKENSEALS	38747	370352A	TIMKENSEALS	•38776
			370165A	CAR QUEST	38747	370400	MECHNX/BARRIER	•38776
			370165A	KAMAN	38747			38780
			370165A	NATL D AUTO SEAL	38747	370-7003	STEMCO	•40129
370106A	CAR QUEST	42550	370169A	CAR QUEST	•34994			40136
					35000			w/ OEM ring
			370169A	KAMAN	•34994	370-7005	STEMCO	•35075
					35000			w/ OEM ring
			370169A	NATL D AUTO SEAL	•34994	370-7006	STEMCO	•35075
					35000	370-7007	STEMCO	•46300
370106A w/AR22			370169A	TIMKENSEALS	•34994			46305
NATL D AUTO SEAL		42550			35000	370-7009	STEMCO	•35075
			370173A	TIMKENSEALS	•48002	370-7011	STEMCO	•35075
					48000	370-7012	STEMCO	•43754
			370173A	KAMAN	•48002			43752
					48000	370-7013	STEMCO	•40129
			370173A	NATL D AUTO SEAL	•48002			40136
370106A(W/OEMRING)					48000	370-7014	STEMCO	•40139
NATL D AUTO SEAL		42550	370173A	CAR QUEST	•48002	370-7015	STEMCO	•45162
					48000	370-7017	STEMCO	•45162
			370178A	TIMKENSEALS	•44964			w/ OEM ring
			370178A	NATL D AUTO SEAL	44964	370-7018	STEMCO	•39380
370106A(W/OEMRING)			370178A	CAR QUEST	44964	370-7022	STEMCO	•46390
TIMKENSEALS		42550	370181A	TIMKENSEALS	47690			w/450208
			370181A	CAR QUEST	47690	370-7023	STEMCO	•42627
370107A	TIMKENSEALS	42624	370181A	KAMAN	47690			42623
370107A	CAR QUEST	42624	370181A	NATL D AUTO SEAL	47690	370-7024	STEMCO	•42624
370107A	KAMAN	42624	370182A	NATL D AUTO SEAL	•43761	370-7031	STEMCO	•40129
370107A	NATL D AUTO SEAL	42624			43764			40136
370112A	NATL D AUTO SEAL	55177	370182A	CAR QUEST	•43761			w/ OEM ring
370120A	TIMKENSEALS	55177			43764	370-7034	STEMCO	•43754
370120A	CAR QUEST	55177	370182A	TIMKENSEALS	•43761			43752
370120A	NATL D AUTO SEAL	55177			43764	370-7043	STEMCO	•46300
370120A	KAMAN	55177	370182A	KAMAN	•43761			46305
370121A	TIMKENSEALS	48884			43764	370-7044	STEMCO	•43754
370121A	CAR QUEST	48884	370192A	TIMKENSEALS	45162			43752
370121A	KAMAN	48884	370192A	CAR QUEST	45162	370-7046	STEMCO	•28820
370121A	NATL D AUTO SEAL	48884	370192A	KAMAN	45162	370-7048	STEMCO	•31307
370124A	NATL D AUTO SEAL	•44916	370192A	NATL D AUTO SEAL	45162	370-7049	STEMCO	•31281
		44922	370195A	TIMKENSEALS	48690	370-7055	STEMCO	•35075
		44916			48690			w/ OEM ring
		44922	370195A	KAMAN	48690	370-7061	STEMCO	•43761
370124A	KAMAN	•44916	370195A	NATL D AUTO SEAL	48690			43764
		44922	370195A	CAR QUEST	48690	370-7091	STEMCO	•42624
		44916	370199A	APU	•23590			

For in-text symbols, see page 6.

370-7095-380025A

Mfr. no.	Mfr.	Part no.	Mfr. no.	Mfr.	Part no.	Mfr. no.	Mfr.	Part no.
370-7095	STEMCO	•43754	372SERIES	MECHNX/BARRIER		376590	TIMKENSEALS	•42627
		43752			•45157			42623
370-7097	STEMCO	•46300			45160	376590	NATL D AUTO SEAL	•42627
		46305	373000SERIES	MECHNX/BARRIER				42623
370-7098	STEMCO	•40129			39380	376590	FRT-LNR	•42627
		40136	373-0113	STEMCO	•40129			42623
370-7099	STEMCO	•42627			40136	376590A	KAMAN	•42627
		42623	373-0123	STEMCO	•42627			42623
370-7701	STEMCO	•46300			42623	376590A	TIMKENSEALS	•42627
		46305	373-0143	STEMCO	•46300			42623
370-7702	STEMCO	•40129			46305	376590A	CAR QUEST	•42627
		40136	3730144	STEMCO	•43754			42623
370-7703	STEMCO	•42627			43752	376590A	NATL D AUTO SEAL	•42627
		42623	3730191	STEMCO	42624			42623
370-8036	STEMCO	•35058	373-0213	STEMCO	•40129	376590X	NATL D AUTO SEAL	•42627
		35066			40136			42623
370SERIES	MECHNX/BARRIER		373-0223	STEMCO	•42627	376590X	TIMKENSEALS	•42627
		•38776			42623			42623
		38780	373-0243	STEMCO	•46300	3766706	GMC	31175
371000SERIES	MECHNX/BARRIER				46305	377	GMC	32470
		43860	373300EXC	GMCORIH	MECHNX/	377000SERIES	MECHNX/BARRIER	
371-0013	STEMCO	•40129	BARRIER		•38776			•38776
		40136			38780			38780
371-0023	STEMCO	•42627	373300GMC	MECHNX/BARRIER		3771094	GMC	32470
		42623			38750	3772445	GMC	31175
371-0043	STEMCO	•46300	373300IHC	MECHNX/BARRIER		377400	MECHNX/BARRIER	38747
		46305			38747	377-7713	STEMCO	•40129
371300	MECHNX/BARRIER	43860	3733703	CHRYSR	1612 ¹			40136
371400	MECHNX/BARRIER	43860			1711 ²	377-7723	STEMCO	•42627
371D6	REQ	39380	3733705	CHRYSR	1665 ¹			42623
371SERIES	MECHNX/BARRIER				1765 ²	377-7743	STEMCO	•46300
		43860	3733-706	CHRYSR	•35058			46305
372000SERIES	MECHNX/BARRIER				35066	377-7744	STEMCO	•43754
		•45157	373400	MECHNX/BARRIER	39420			43752
		45160	373400EXC	GMCORIH	MECHNX/	3784844	CHRYSR	•35058
372300	MECHNX/BARRIER	•45157	BARRIER		•38776			35066
		45160			38780	378D2	REQ	•43761
372400	MECHNX/BARRIER	•45157	373400GMC	MECHNX/BARRIER				43764
		45160			38750	3794846	GMC	42550
372-7003	STEMCO	•40129	373400IHC	MECHNX/BARRIER				w/455024
		40136			38747	3796564	GMC	38750
		w/ OEM ring	373600024	TU TRLR	•46300	3796575	GMC	39420
372-7005	STEMCO	35075			46305	380001A	NATL D AUTO SEAL	•35058
		w/ OEM ring	3-7360-024	TU TRLR	•46300			35066
		35075			46305	380001A	TIMKENSEALS	•35058
372-7006	STEMCO	35075	3-7360-025	TU TRLR	•46300			35066
372-7009	STEMCO	35075			46305	380001A	KAMAN	•35058
372-7015	STEMCO	45162	3-7360-19	TU TRLR	•46300			35066
		45162			46305	380003A	TIMKENSEALS	•47692
372-7017	STEMCO		373SERIES	MECHNX/BARRIER				47697
		w/ OEM ring			39420	380003A	NATL D AUTO SEAL	•47692
372-7018	STEMCO	39380	374000SERIES	MECHNX/BARRIER				47697
372-7022	STEMCO	46390			•38776	380003TX	NATL D AUTO SEAL	
		w/450208			38780			•47691
372-7024	STEMCO	42624	374300	MECHNX/BARRIER	38750	380003TX	TIMKENSEALS	•47691
372-7046	STEMCO	28820	374400	MECHNX/BARRIER	38750	380019C91	NAVISTAR (IHC)	•38776
372-7048	STEMCO	31307	374SERIES	MECHNX/BARRIER				38780
372-7049	STEMCO	31281			38750	380022A	NATL D AUTO SEAL	•45093
372-7055	STEMCO	35075	375000SERIES	MECHNX/BARRIER				45099
		w/ OEM ring			39380	380022A	TIMKENSEALS	•45093
372-7062	STEMCO	•42627			39380			45099
		42623	375300	MECHNX/BARRIER	39380	380023A	APU	•38776
372-7091	STEMCO	42624	375400	MECHNX/BARRIER	39380			38780
372-7095	STEMCO	•43754	375SERIES	MECHNX/BARRIER		380023A	TIMKENSEALS	•38776
		43752			39380			38780
372-7097	STEMCO	•46300	376000SERIES	MECHNX/BARRIER				•38776
		46305			•38776	380023A	NATL D AUTO SEAL	•38776
372-7098	STEMCO	•40129			38780			38780
		40136	376400	MECHNX/BARRIER	38747	380025A	NATL D AUTO SEAL	•46300
372-7099	STEMCO	•42627						46305
		42623						

INTERCHANGES

COMPETITOR & MANUFACTURER

SCOTSEAL® TO GREASE SEAL

GREASE SEAL TO SCOTSEAL®

BEARING TO SCOTSEAL®

INTERCHANGES

COMPETITOR & MANUFACTURER

SCOTSEAL® TO GREASE SEAL

GREASE SEAL TO SCOTSEAL®

BEARING TO SCOTSEAL®

Mfr. no.	Mfr.	Part no.	Mfr. no.	Mfr.	Part no.	Mfr. no.	Mfr.	Part no.
380025A	CAR QUEST	•46300	380-8016	STEMCO	27438	381-0034	STEMCO	36285
		46305			w/ OEM ring	381-0036	STEMCO	•35058
380025A	KAMAN	•46300	380-8017	STEMCO	32470			35066
		46305	380-8018	STEMCO	28820	381-0056	STEMCO	•45095
380025A	TIMKENSEALS	•46300	380-8020	STEMCO	36365			45103
		46305			w/ OEM ring	381-0064	STEMCO	•43761
380031A	NATL D AUTO SEALS		380-8022	STEMCO	•34971			43764
		•42673			34975	381300	MECHNX/BARRIER	43875
		42672	380-8023	STEMCO	•39979	381400	MECHNX/BARRIER	43875
380031A	KAMAN	•42673			39988	381SERIES	MECHNX/BARRIER	
		42672			w/ OEM ring			43875
380031A	TIMKENSEALS	•42673	380-8025	STEMCO	35075	382119	WHT-TRK	31244
		42672	380-8028	STEMCO	48794			w/ OEM ring
380036A	NATL D AUTO SEAL	•40129	380-8029	STEMCO	39380	382300	MECHNX/BARRIER	43865
		40136			w/ OEM ring	382400	MECHNX/BARRIER	43865
380036A	TIMKENSEALS	•40129	380-8030	STEMCO	31244	382-8001	STEMCO	•40091
		40136			w/ OEM ring			40086
380048A	TIMKENSEALS	•43761	380-8032	STEMCO	36365	382-8009	STEMCO	31175
		43764			w/ OEM ring	382-8010	STEMCO	31244
380048A	NATL D AUTO SEALS		380-8033	STEMCO	35060			w/ OEM ring
		•43761	380-8034	STEMCO	36285	382-8011	STEMCO	36365
		43764	380-8035	STEMCO	35060			w/ OEM ring
380065A	NATL D AUTO SEAL	•42627			w/ OEM ring	382-8016	STEMCO	27438
		42623	380-8036	STEMCO	•35058			w/ OEM ring
380065A	TIMKENSEALS	•42627			35066	382-8017	STEMCO	32470
		42623	380-8037	STEMCO	•43761	382-8018	STEMCO	28820
380131A	TIMKENSEALS	•45095			43764	382-8023	STEMCO	•39979
		45103	380-8039	STEMCO	•39979			39988
380131A	KAMAN	•45095			39988			w/ OEM ring
		45103			w/455031	382-8025	STEMCO	35075
380131A	NATL D AUTO SEAL	•45095	380-8041	STEMCO	39380	382-8028	STEMCO	48794
		45103	380-8042	STEMCO	35075	382-8029	STEMCO	39380
3804328C1	NAVISTAR (IHC)	28832	380-8043	STEMCO	27438			w/ OEM ring
38046	EATON	•45157	380-8044	STEMCO	28832	382-8032	STEMCO	36365
		45160	380-8045	STEMCO	48796			w/ OEM ring
380700	BROCKWAY	•43761	380-8046	STEMCO	•44916	382-8034	STEMCO	36285
		43764			44922	382-8035	STEMCO	35060
380702	BROCKWAY	47699	380-8052	STEMCO	40040			w/ OEM ring
380703	BROCKWAY	42800	380-8053	STEMCO	•44916	382-8036	STEMCO	•35058
380705	BROCKWAY	43860			44922			35066
380706	BROCKWAY	•38776	380-8054	STEMCO	•45095	382-8039	STEMCO	•39979
		38780			45103			39988
380729	BROCKWAY	48884	380-8056	STEMCO	•45095			w/455031
380741	BROCKWAY	•35058			45103	382-8042	STEMCO	35075
		35066	380-8060	STEMCO	43800	382-8043	STEMCO	27438
380758	BROCKWAY	•47692			w/ OEM ring	382-8044	STEMCO	28832
		47697	380-8062W/39578	STEMCO	31281	382-8045	STEMCO	48796
380762	BROCKWAY	43860	380-8062W/39585	STEMCO	31281	382-8052	STEMCO	40040
380763	BROCKWAY	•45157	380-8063	STEMCO	•34971	382-8053	STEMCO	•44916
		45160			34975			44922
380769	BROCKWAY	•35058	380-8064	STEMCO	•43761	382-8056	STEMCO	•45095
		35066			43764			45103
380778	BROCKWAY	42800	380-8066	STEMCO	•28759	382-8060	STEMCO	43800
380779	BROCKWAY	47699			28758			w/ OEM ring
380780	BROCKWAY	•38776	380-8067	STEMCO	•45095	382-8063	STEMCO	•34971
		38780			45103			34975
380781	BROCKWAY	•48002	380-8071	STEMCO	36358	382-8064	STEMCO	•43761
		48000	380815	BROCKWAY	•38776			43764
380784	BROCKWAY	48884			38780	382-8066	STEMCO	•28759
380-8001	STEMCO	•40091	380817	BROCKWAY	•38776			28758
		40086			38780	382-8071	STEMCO	36358
380-8009	STEMCO	31175	3808192	WHT-TRK	36285	3828492	CHRI MA	•43761
380801	BROCKWAY	•47692			w/ OEM ring			43764
		47697	3808192-1EA	WHT-TRK	36285	3828492	CHRYSR	•43761
380-8010	STEMCO	31244			35058			43764
		w/ OEM ring	380-8701	STEMCO	•35058	382SERIES	MECHNX/BARRIER	
380-8011	STEMCO	36365			35066			43865
		w/ OEM ring	381000SERIES	MECHNX/BARRIER		383-0101	STEMCO	•40091
380-8014	STEMCO	40040			43875			40086
			381-0028	STEMCO	48794			

For in-text symbols, see page 6.

383-0136-390-9073EXCEATON

Mfr. no.	Mfr.	Part no.	Mfr. no.	Mfr.	Part no.	Mfr. no.	Mfr.	Part no.
383-0136	STEMCO	•35058	38776	FRT-LNR	•38776	390-9025W/EATON42DAX	STEMCO	
		35066			38780			43860
383-0139	STEMCO	•39979	38776	PACCAR PARTS	•38776		w/ OEM ring	
		39988			38780	390-9026	STEMCO	43865
383-0139 W/310-1132	STEMCO		38779	FRT-LNR	•38776	390-9027	STEMCO	47699
		•39979			38780	390-9030	STEMCO	45152
		39988	38779	CR MEX	•38776	390-9031	STEMCO	38747
383-0153	STEMCO	•44916			38780	390-9032	STEMCO	•40129
		44922	38780	CR MEX	•38776			40136
383-0156	STEMCO	•45095			38780	390-9033	STEMCO	44964
		45103	38780	PACCAR PARTS	•38776		w/ OEM ring	
383-0164	STEMCO	•43761			38780	390-9034	STEMCO	48690
		43764	387-8736	STEMCO	•35058		w/ OEM ring	
383-0236	STEMCO	•35058			35066	390-9035	STEMCO	•34384
		35066	387-8753	STEMCO	•44916			34387
383-0239	STEMCO	•39979			44922	390-9036	STEMCO	•34994
		39988	387-8755	STEMCO	•45095			35000
383-0264	STEMCO	•43761			45103	390-9038	STEMCO	31307
		43764	387-8756	STEMCO	•45095	390-9044	STEMCO	43875
383300	MECHNX/BARRIER	•42673			45103	390-9045	STEMCO	42550
		42672	387-8763	STEMCO	•34971		w/455024	
383400	MECHNX/BARRIER	•42673			34975	390-9047	STEMCO	•42673
		42672	387-8764	STEMCO	•43761			42672
383698C91	NAVISTAR (IHC)	1698 ¹			43764	390-9048	STEMCO	52658
		1798 ²	387-8766	STEMCO	•28759	390-9050	STEMCO	52658
383709C91	NAVISTAR (IHC)	28820			28758	390-9052EXCEATON42D	STEMCO	
383716C91	NAVISTAR (IHC)	35075	387947C91	NAVISTAR (IHC)	1643 ¹			43860
383SERIES	MECHNX/BARRIER				1743 ²	390-9052W/EATON42D	STEMCO	
		•42673	387SERIES	MECHNX/BARRIER				43860
		42672			50124		w/ OEM ring	
384300	MECHNX/BARRIER	•40129	388000SERIES	MECHNX/BARRIER		390-9053	STEMCO	55177
		40136			39425	390-9054	STEMCO	48690
384342	WHT-TRK	•40129	388400	MECHNX/BARRIER	39425	390-9056	STEMCO	•38776
		40136			389000SERIES			38780
384400	MECHNX/BARRIER	•40129			•42673	390-9056EXCGMC&IHC	STEMCO	
		40136			42672			•38776
384500	MECHNX/BARRIER	•40129	3893105	CHRYSR	•35058			38780
		40136			35066	390-9056GMC	STEMCO	38750
384540	RENAULT	38736	3893149	CHRYSR	1643 ¹	390-9056IHC(SEECATL)	STEMCO	
384SERIES	MECHNX/BARRIER				1743 ²			38747
		•40129	389400	MECHNX/BARRIER	•42673	390-9057	STEMCO	39425
		40136			42672	390-9059EXCSOME EATON	STEMCO	
385-0863	STEMCO	•34971	3897857	CHRYSR	•34384			•47692
385-0864	STEMCO	•43761			34387			47697
		43764	389881	WHT-TRK	31307	390-9059W/EATON19&44	STEMCO	
385300	MECHNX/BARRIER	•45093	38GX225	OSHKOSH	•43754			45152
		45099			43752	390-9060	STEMCO	47690
385400	MECHNX/BARRIER	•45093	390400	MECHNX/BARRIER	47699	390-9061	STEMCO	42800
		45099	390-9001	STEMCO	48884	390-9062	STEMCO	48884
385SERIES	MECHNX/BARRIER				w/455019	390-9064	STEMCO	•45157
		•45093	390-9002	STEMCO	•45093			45160
		45099			45099	390-9065	STEMCO	43860
387000SERIES	MECHNX/BARRIER		390-9003	STEMCO	•45093	390-9065EXC.EATON42D	STEMCO	
		50124			45099			43860
38709	CR MEX	38709	390-9004	STEMCO	•42673	390-9065W/EATON42D	STEMCO	
38709	PACCAR PARTS	38709			42672			43860
387300	MECHNX/BARRIER	50124	390-9005	STEMCO	•45157		w/ OEM ring	
38736	CR MEX	38736			45160	390-9066	STEMCO	47483
38736CHR	PACCAR PARTS	38736	390-9006	STEMCO	43865	390-9070	STEMCO	47699
387400	MECHNX/BARRIER	50124	390-9007	STEMCO	50124	390-9073	STEMCO	•47692
3874368W/3880944	GMC	42550	390-9010	STEMCO	38709			47697
		w/455024	390-9012	STEMCO	•38776	390-9073(FOR1)	STEMCO	43875
38747	CR MEX	38747			38780		w/Eaton 18	
38747	PACCAR PARTS	38747	390-9014	STEMCO	42800	390-9073(FOR2)	STEMCO	•47692
387475	NAVISTAR (IHC)	38747	390-9015	STEMCO	38750			47697
387485C91	NAVISTAR (IHC)	38747	390-9018	STEMCO	39420		w/.750 shoulder	
38750	CR MEX	38750	390-9022	STEMCO	47690	390-9073EXCEATON	STEMCO	
38750	FRT-LNR	38750	390-9024	STEMCO	47699			•47692
38750	PACCAR PARTS	38750						47697

INTERNET CHANGES

COMPETITOR & MANUFACTURER

SCOTSEAL® TO GREASE SEAL

GREASE SEAL TO SCOTSEAL®

BEARING TO SCOTSEAL®

For in-text symbols, see page 6.

INTERCHANGES

COMPETITOR & MANUFACTURER

SCOTSEAL® TO GREASE SEAL

GREASE SEAL TO SCOTSEAL®

BEARING TO SCOTSEAL®

Mfr. no.	Mfr.	Part no.	Mfr. no.	Mfr.	Part no.	Mfr. no.	Mfr.	Part no.
390-9073EXCSOME EATON	STEMCO	•47692	391-0004	STEMCO	•42673	3918973	VOLVO TRK NA	•40129
		47697			42672			40136
390-9073W/EATON19SER	STEMCO	45152	391-0012	STEMCO	•38776	3918974	VOLVO TRK NA	•42627
		46300			38780			42623
390-9074	STEMCO	•46300	391-0060	STEMCO	47690	3919030	VOLVO TRK NA	42625
		46305			•45157	392-9001	STEMCO	48884
390-9081	STEMCO	•48002	391-0070	STEMCO	47699			w/455019
		48000			•47692	392-9003	STEMCO	•45093
390-9087	STEMCO	47699			47697			45099
390-9088	STEMCO	•45157	391-0073W/3646402	STEMCO	43875	392-9007	STEMCO	50124
		45160			45152	392-9010	STEMCO	38709
390-9089	STEMCO	52658	391-0073W/3646435	STEMCO	45152	392-9012	STEMCO	•38776
390-9089(SEECATALOG)	STEMCO	52658	39174	FAG - CANADA - SEALS	•34384			38780
		•42673			34387	392-9018	STEMCO	39420
		42672	39175	FAG - CANADA - SEALS	•34384	392-9032	STEMCO	•40129
390-9092	STEMCO	43865	3918837	VOLVO TRK NA	•40129			40136
390-9094	STEMCO	•45093			40136	392-9033	STEMCO	44964
		45099	3918838	VOLVO TRK NA	•45095			w/ OEM ring
		42800			45103	392-9034	STEMCO	48690
390-9096	STEMCO	43860	3918839	VOLVO TRK NA	•45093			w/ OEM ring
390-9096EXCEATON42D	STEMCO	43860			45099	392-9035	STEMCO	•34384
		43860	3918841	VOLVO TRK NA	•34384			34387
390-9096W/EATON42D	STEMCO	43860			34387	392-9036	STEMCO	•34994
		43860	3918842	VOLVO TRK NA	•42673			35000
		w/ OEM ring			42672	392-9038	STEMCO	31307
390-9097	STEMCO	47690	3918843	VOLVO TRK NA	•40091	392-9045	STEMCO	42550
390-9098	STEMCO	•47692			40086			w/455024
		47697	3918844	VOLVO TRK NA	38750	392-9048	STEMCO	52658
390-9098(FOR1)	STEMCO	43875			39420	392-9053	STEMCO	55177
		w/Eaton 18	3918845	VOLVO TRK NA	39420	392-9054	STEMCO	48690
390-9098(FOR2)	STEMCO	•47692			•44916	392-9057	STEMCO	39425
		47697	3918847	VOLVO TRK NA	27438	392-9062	STEMCO	48884
		w/750 shoulder			48690	392-9081	STEMCO	•48002
390-9098EXCSOME EATON	STEMCO	•47692	3918849	VOLVO TRK NA	•28759			48000
		47697			28758	392-9087	STEMCO	47699
390-9098W/EATON19SER	STEMCO	45152			1613 ¹	392-9088	STEMCO	•45157
		•38776	3918853	VOLVO TRK NA	1703 ²			45160
		38780			•39979	392-9089	STEMCO	52658
390-9099	STEMCO	38780	3918950	VOLVO TRK NA	39988	392-9090	STEMCO	•42673
		38780			52658			42672
390-9099EXCGMC&IHC	STEMCO	•38776	3918951	VOLVO TRK NA	28832	392-9092	STEMCO	43860
		38780			1613 ¹	392-9094	STEMCO	•45093
390-9099GMC	STEMCO	38750	3918952	VOLVO TRK NA	1703 ²			45099
390-9099IHC(SEECATL)	STEMCO	38747			1282 ⁴	392-9095	STEMCO	42800
		•47692	3918953	VOLVO TRK NA	1643 ¹	392-9096	STEMCO	43860
390-9702(FOR2)	STEMCO	47697			1743 ²	392-9097	STEMCO	47690
		47697	3918954	VOLVO TRK NA	1744 ²	392-9098	STEMCO	•47692
		w/750 shoulder			1698 ¹			47697
390-9702EXCSOME EATON	STEMCO	•47692	3918955	VOLVO TRK NA	1798 ²	392-9099	STEMCO	38750
		47697			1696 ¹	392-9099W/GMC	STEMCO	38750
390-9702W/EATON19SER	STEMCO	45152	3918956	VOLVO TRK NA	1796 ²	392-9099W/IHC	STEMCO	38747
		43860			1343 ³	392-9112	STEMCO	•42673
		w/ OEM ring	3918957	VOLVO TRK NA	1733 ²			42672
390-9703EXCGMC&IHC	STEMCO	•38776			1670 ¹	392-9130	STEMCO	•42673
		38780	3918958	VOLVO TRK NA	1770 ²			42672
390-9703GMC	STEMCO	38750			1642 ¹	392-9131	STEMCO	•47692
390-9703IHC(SEECATL)	STEMCO	38747	3918959	VOLVO TRK NA	1742 ²			47697
		38747			•45095	393000SERIES	MECHNX/BARRIER	38709
390SERIES	MECHNX/BARRIER	47699			45103			•45093
391-0003	STEMCO	•45093	3918966	VOLVO TRK NA	•44916	393-0103	STEMCO	45099
		45099			44922			•42673
			3918969	VOLVO TRK NA	43865	393-0104	STEMCO	42672
					•48002			42672
			3918970	VOLVO TRK NA	48000	393-0112	STEMCO	•38776
					•45093			38780
			3918971	VOLVO TRK NA	45099	3930115	STEMCO	38750
					•42673	393-0173	STEMCO	•47692
			3918972	VOLVO TRK NA	42672			47697

For in-text symbols, see page 6.

Mfr. no.	Mfr.	Part no.	Mfr. no.	Mfr.	Part no.	Mfr. no.	Mfr.	Part no.
393-0203	STEMCO	•45093	397-9773	W/EATON19SER	STEMCO	401605	MECHNX/BARRIER	1643 ¹
		45099			45152			1743 ²
393-0204	STEMCO	•42673	397-9773	W/EATON42D	STEMCO	401606	MECHNX/BARRIER	1643 ¹
		42672			43860			1743 ²
393-0273	STEMCO	•47692			w/ OEM ring	401607	MECHNX/BARRIER	1643 ¹
		47697	398768	GMC	•43754			1743 ²
393300	MECHNX/BARRIER	38709			43752	401608	MECHNX/BARRIER	1642 ¹
393400	MECHNX/BARRIER	38709	398770	GMC	1643 ¹			1742 ²
393698	C91..NAVISTAR (IHC)	1698 ¹			1743 ²	401609	MECHNX/BARRIER	1642 ¹
		1798 ²	399004	2623..KENTMFG	•42627			1742 ²
39380	PACCAR PARTS	39380			42623	401612	MECHNX/BARRIER	1643 ¹
39380	FRT-LNR	39380	399004	6300..KENTMFG	•46300			1743 ²
39380	CR MEX	39380			46305	401613	MECHNX/BARRIER	1643 ¹
393900	BROCKWAY	47699	399004	6305..KENTMFG	•46300			1743 ²
393SERIES	MECHNX/BARRIER				46305	401615	MECHNX/BARRIER	1643 ¹
		38709	39977	CR MEX	•39979			1743 ²
3941953	VOLVO/GMC/WHITE TRK				39988	401616	MECHNX/BARRIER	1627 ¹
		•47692	39979	PACCAR PARTS	•39979	401620	MECHNX/BARRIER	1623 ¹
		47697			39988			1723 ²
3941954	VOLVO TRK NA	•35058	39988	FRT-LNR	•39979	401621	MECHNX/BARRIER	1623 ¹
		35066			39988			1723 ²
39420	PACCAR PARTS	39420	39988	CR MEX	•39979	401622	MECHNX/BARRIER	1665 ¹
39420	CR MEX	39420			39988			1765 ²
394233	WHT-TRK	50124	39988	PACCAR PARTS	•39979	401623	MECHNX/BARRIER	1665 ¹
39425	CR MEX	39425			39988			1765 ²
39425	PACCAR PARTS	39425	3HA1190	B2A..FORD	•43761	401627	MECHNX/BARRIER	1715 ²
3945968	VOLVO TRK NA	1691 ¹			43764	401628	MECHNX/BARRIER	1715 ²
		1790 ²	3W5687	CATPLR	1643 ¹	401630	MECHNX/BARRIER	1612 ¹
3945971	VOLVO TRK NA	35072			1743 ²			1711 ²
394735	C91..NAVISTAR (IHC)	1787 ²	4002	STEMCO	1627 ¹	401631	MECHNX/BARRIER	1612 ¹
3947700	VOLVO TRK NA	•43754	40040	CR MEX	40040			1711 ²
		43752	40040	CHR..PACCAR PARTS	40040	401632	MECHNX/BARRIER	1612 ¹
3948886	GMC	31175	400855	C91..NAVISTAR (IHC)	48794			1711 ²
394894	C91..NAVISTAR (IHC)	•35058	40086	CR MEX	•40091	401633	MECHNX/BARRIER	1612 ¹
		35066			40086			1711 ²
394895	C91..NAVISTAR (IHC)	1665 ¹	40086	PACCAR PARTS	•40091	401636	MECHNX/BARRIER	1698 ¹
		1765 ²			40086			1798 ²
396526	C91..NAVISTAR (IHC)	43860	40086	FRT-LNR	•40091	401637	MECHNX/BARRIER	1698 ¹
3975154	VOLVO/GMC/WHITE TRK				40086			1798 ²
		1343 ³	4008A62	FRUHAUF	1643 ¹	401638	MECHNX/BARRIER	1698 ¹
397-9703	STEMCO	•45093			1743 ²			1798 ²
		45099	4009	STEMCO	1643 ¹	401640	MECHNX/BARRIER	1670 ¹
397-9704	STEMCO	•42673			1743 ²			1770 ²
		42672	40091	PACCAR PARTS	•40091	401641	MECHNX/BARRIER	1670 ¹
397-9712	STEMCO	•38776			40086			1770 ²
		38780	401202	MECHNX/BARRIER	•35058	401644	MECHNX/BARRIER	1702 ¹
397-9735	STEMCO	•34384			35066	401645	MECHNX/BARRIER	1702 ¹
		34387	401216	MECHNX/BARRIER	•39979	401647	MECHNX/BARRIER	1702 ¹
		w/ OEM ring			39988	401655	MECHNX/BARRIER	1282 ⁴
397-9748	STEMCO	52658	40129	PACCAR PARTS	•40129	401663	MECHNX/BARRIER	1643 ¹
397-9757	STEMCO	39425			40136			1743 ²
397-9760	STEMCO	•48002	4013	STEMCO	1642 ¹	401664	MECHNX/BARRIER	1733 ²
		48000			1742 ²	401685	MECHNX/BARRIER	1733 ²
397-9761	STEMCO	42800	40133	CR MEX	•40129	401688	MECHNX/BARRIER	1733 ²
397-9764	STEMCO	•45157			40136	401690	MECHNX/BARRIER	1733 ²
		45160	40133	FRT-LNR	•40129	401691	MECHNX/BARRIER	1733 ²
397-9765	STEMCO	43860			40136	401823	MECHNX/BARRIER	1643 ¹
397-9770	STEMCO	47699	40136	PACCAR PARTS	•40129			1743 ²
397-9773	STEMCO	•47692			40136	401831	MECHNX/BARRIER	1612 ¹
		47697	40136	CR MEX	•40129			1711 ²
397-9773(FOR1)	STEMCO	43875			40136	401832	MECHNX/BARRIER	1733 ²
		w/Eaton 18	40139	PACCAR PARTS	40139	401838	MECHNX/BARRIER	1733 ²
397-9773(FOR2)	STEMCO	•47692			40139	401870	MECHNX/BARRIER	1733 ²
		47697	40139	CR MEX	1643 ¹	401874	MECHNX/BARRIER	1665 ¹
		w/750 shoulder			1743 ²			1765 ²
397-9773EXCSOME	EATON..STEMCO	•47692	401602	MECHNX/BARRIER	1643 ¹	401875	MECHNX/BARRIER	1623 ¹
		47697			1743 ²			1723 ²
			401603	MECHNX/BARRIER	1643 ¹	401877	MECHNX/BARRIER	1698 ¹
					1743 ²			1798 ²

INTERNET CHANGES

COMPETITOR & MANUFACTURER

SCOTSEAL® TO GREASE SEAL

GREASE SEAL TO SCOTSEAL®

BEARING TO SCOTSEAL®

INTERCHANGES

COMPETITOR & MANUFACTURER

SCOTSEAL® TO GREASE SEAL

GREASE SEAL TO SCOTSEAL®

BEARING TO SCOTSEAL®

Mfr. no.	Mfr.	Part no.	Mfr. no.	Mfr.	Part no.	Mfr. no.	Mfr.	Part no.
401883	MECHNX/BARRIER	1698 ¹	4095	STEMCO	1643 ¹	42622	CR MEX	•42627
		1798 ²			1743 ²			42623
401884	MECHNX/BARRIER	1733 ²	4098	STEMCO	1691 ¹	42622	FRT-LNR	•42627
401885	MECHNX/BARRIER	1733 ²			1790 ²			42623
401886	MECHNX/BARRIER	1733 ²	4103	STEMCO	1643 ¹	42623	PACCAR PARTS	•42627
401889	MECHNX/BARRIER	1698 ¹			1743 ²			42623
		1798 ²	411601	MECHNX/BARRIER	1643 ¹	42623	FRUHAUF	•42627
					1743 ²			42623
401890	MECHNX/BARRIER	1613 ¹	411604	MECHNX/BARRIER	1643 ¹	42623	CR MEX	•42627
		1703 ²			1743 ²			42623
4019	STEMCO	1627 ¹			1743 ²			42623
401D2	REO	28820	411605	MECHNX/BARRIER	1691 ¹	42624	PACCAR PARTS	42624
401-G	DUAL DYN	1443 ³			1790 ²	42624	CR MEX	42624
4024	STEMCO	1612 ¹	411608	MECHNX/BARRIER	1642 ¹	42625	CR MEX	42625
		1711 ²			1742 ²	42625	PACCAR PARTS	42625
4028	STEMCO	1715 ²	411616	MECHNX/BARRIER	1627 ¹	42627	FRT-LNR	•42627
4034	STEMCO	1670 ¹	411620	MECHNX/BARRIER	1623 ¹			42623
		1770 ²			1723 ²	42627	PACCAR PARTS	•42627
4036	STEMCO	1702 ¹	411622	MECHNX/BARRIER	1665 ¹			42623
40379	EATON	39380			1765 ²	42631	CHR PACCAR PARTS	•42631
		w/ OEM ring	411627	MECHNX/BARRIER	1715 ²			42631
4041	STEMCO	1623 ¹	411630	MECHNX/BARRIER	1612 ¹	42671	FRT-LNR	•42673
		1723 ²			1711 ²			42672
4042	STEMCO	1665 ¹	411635	MECHNX/BARRIER	1608 ¹	42671	CR MEX	•42673
		1765 ²	411640	MECHNX/BARRIER	1670 ¹			42672
4046	STEMCO	1643 ¹			1770 ²	42672	PACCAR PARTS	•42673
		1743 ²	411644	MECHNX/BARRIER	1702 ¹			42672
4050	STEMCO	1665 ¹	411655	MECHNX/BARRIER	1282 ⁴	42672	CR MEX	•42673
		1765 ²	411688	MECHNX/BARRIER	1733 ²			42672
4050015	AM TRLR	•46300	411845	MECHNX/BARRIER	1613 ¹	42673	PACCAR PARTS	•42673
		46305			1703 ²			42672
4050-101-2	TRAILMO	•46300	411872	MECHNX/BARRIER	1282 ⁴	427424R92	NAVISTAR (IHC)	•35058
		46305	411883	MECHNX/BARRIER	1698 ¹			35066
405010129	FRUHAUF	•42627			1798 ²	427552R91	NAVISTAR (IHC)	•35058
		42623	411897	MECHNX/BARRIER	1600 ¹			35066
4050-101-5	TRAILMO	•43754	411967	MECHNX/BARRIER	1788 ²	427553R91	NAVISTAR (IHC)	1623 ¹
		43752	411972	MECHNX/BARRIER	1698 ¹			1723 ²
40504308	GREAT DANE	1643 ¹			1798 ²	42800	CR MEX	42800
		1743 ²	411980	MECHNX/BARRIER	1799 ²	42800	CHR PACCAR PARTS	42800
40504501	GREAT DANE	•42627	413618	WHT-TRK	•39979	428119C91	NAVISTAR (IHC)	•38776
		42623			39988			38780
40504502	GREAT DANE	•46300			w/ OEM ring	4283347	BLUEBIRD	•38776
		46305	413619	WHT-TRK	•45157			38780
40504505	GREAT DANE	•42627			45160	43013	UOS	31175
		42623	414466C92	NAVISTAR (IHC)	•43754	431615R91	NAVISTAR (IHC)	•45157
40504506	GREAT DANE	•46300			43752			45160
		46305	416895C1	NAVISTAR (IHC)	•44916	431616R92	NAVISTAR (IHC)	•45157
4050582	AM TRLR	•46300			44922			45160
		46305			w/490578C91	431619R91	NAVISTAR (IHC)	•40129
4057	STEMCO	1754 ²	416895C91	NAVISTAR (IHC)	•45157			40136
4066	STEMCO	1623 ¹			45160	431620R92	NAVISTAR (IHC)	1643 ¹
		1723 ²	41AX207	MACK	43800			1743 ²
4068	STEMCO	1698 ¹	41SR32	KENWTH	1643 ¹	431622R1	NAVISTAR (IHC)	•40129
		1798 ²			1743 ²			40136
4072	STEMCO	1670 ¹	41SR32	MACK	1643 ¹	43167	TROSTEL	50124
		1770 ²			1743 ²	433759	WHT-TRK	48884
4075	STEMCO	1282 ⁴	42002	EATON	39420			w/455019
4076	STEMCO	1698 ¹	420030111	CED RAP	•29480	43448	BLUEBIRD	•47692
		1798 ²	42099	TROSTEL	31307			47697
4080	STEMCO	1698 ¹	421268	WHT-TRK	42800	434877R91	NAVISTAR (IHC)	48884
		1798 ²	42154	TROSTEL	•40129			w/455019
4091	STEMCO	1612 ¹			40136	434878R91	NAVISTAR (IHC)	48884
		1711 ²	421590	AM TRLR	1643 ¹	43623	TRAILMO	•43754
4091145	WHT-TRK	43860			1743 ²			43752
409145	MECHNX/BARRIER	43860	42220	TROSTEL	39380	436449R91	NAVISTAR (IHC)	•38776
409145	WHT-TRK	43860	42320	TROSTEL	28820			38780
4092	STEMCO	1787 ²	42342	TROSTEL	48884	43752	CR MEX	•43754
4093	STEMCO	1788 ²	42401351	GREAT DANE	1343 ³			43752
4094	STEMCO	1643 ¹	42550	CR MEX	42550	43752	FRT-LNR	•43754
		1743 ²	42550	PACCAR PARTS	42550			43752

For in-text symbols, see page 6.

43752-46305

Mfr. no.	Mfr.	Part no.	Mfr. no.	Mfr.	Part no.	Mfr. no.	Mfr.	Part no.
43752	PACCAR PARTS	•43754	447563C91	NAVISTAR (IHC)	48884	45160	CR MEX	•45157
		43752	447563C92	NAVISTAR (IHC)	48884			45160
43752S	PACCAR PARTS	•43754			w/455019	45162	CR MEX	45162
		43752	447564C91	NAVISTAR (IHC)	•45157	45162CHR	PACCAR PARTS	45162
43753	CR MEX	•43754			45160	45188	TROSTEL	•39979
		43752	447565C91	NAVISTAR (IHC)	38709			39988
43754	PACCAR PARTS	•43754	447566C91	NAVISTAR (IHC)	•38776	45195	TROSTEL	44964
		43752			38780	45201022	CED RAP	•34971
43761	DANA-SPICER	•43761	447567C91	NAVISTAR (IHC)	42800	45331	TROSTEL	48884
		43764	447569C91	NAVISTAR (IHC)	43860	45392	TROSTEL	39380
43761	PTRBLT	•43761	447574C91	NAVISTAR (IHC)	•47692	45393	TROSTEL	•40091
		43764			47697			40086
43761	KENWTH	•43761	448644C91	NAVISTAR (IHC)	•45095	45401	TROSTEL	38709
		43764			45103	45408	TROSTEL	39380
43761	PACCAR PARTS	•43761	44916CHR	PACCAR PARTS	•44916	45412	TROSTEL	•38776
		43764			44922			38780
43761	ZF IND	•43761	44919	CR MEX	•44916	45449	TROSTEL	•34384
		43764			44922			34387
43761	VOLVO	•43761	44922	CR MEX	•44916	45466	TROSTEL	43860
		43764			44922	45502100100	STOUGHTON	•46300
43761CHR	PACCAR PARTS	•43761	44922CHR	PACCAR PARTS	•44916			46305
		43764			44922	455031W/212049CONE	NATL D	
43763	FRT-LNR	•43761	44964	PACCAR PARTS	44964	AUTO SEAL		35060
		43764	44964	CR MEX	44964	455031W/212049CONE		
43763	CR MEX	•43761	45010	CR MEX	45010	TIMKENSEALS		35060
		43764	45010	PACCAR PARTS	45010	455031W/5535CONE		
43764	FRT-LNR	•43761	450-101-4	TRAILMO	•40129	NATL D AUTO SEAL		35060
		43764			40136		w/ OEM ring	
43764	CR MEX	•43761	45025	TROSTEL	35060	455031W/5535CONE		
		43764	45036	TROSTEL	36285	TIMKENSEALS		35060
43764CHR	PACCAR PARTS	•43761	45065	TROSTEL	35075		w/ OEM ring	
		43764	45067	TROSTEL	•45157	45511900000	STOUGHTON	•46300
43794	VICTOR	35075			45160			46305
43800	CR MEX	43800	45093	TROSTEL	48690	456494	TIMKENSEALS	•44916
43800	PACCAR PARTS	43800	45093CHR	PACCAR PARTS	•45093			44922
438454R92	NAVISTAR (IHC)	•35058			45099	456494	NATL D AUTO SEAL	•44916
		35066	45095	PACCAR PARTS	•45095			44922
43860	CR MEX	43860	45103	TROSTEL	45103	456618S61	TIMKENSEALS	•38776
43860	PACCAR PARTS	43860	45097	FRT-LNR	•45093			38780
43865	CR MEX	43865			45099	456618S61	NATL D AUTO SEAL	
43865	PACCAR PARTS	43865	45097	CR MEX	•45093			•38776
43875	CR MEX	43875			45099			38780
43875	PACCAR PARTS	43875	45099	CR MEX	•45093	456-G	DUAL DYN	1499 ³
43938	VICTOR	46390	45099	PACCAR PARTS	•45093	45745	GREAT DANE	•46300
		or 653			45099			46305
441260C91	NAVISTAR (IHC)	•28759	45099	FRT-LNR	•45093	45767K	L & S	43860
		28758			45099	45801K	L & S	47699
4427553	NAVISTAR (IHC)	1623 ¹	45099S	PACCAR PARTS	•45093	45923	GREAT DANE	1643 ¹
		1723 ²			45099			1743 ²
443-289PS	WHT-TRK	40139			45099	45924	GREAT DANE	1643 ¹
44571C91	NAVISTAR (IHC)	38747	45102	CR MEX	•45095			1743 ²
446070N	TIMKENSEALS	•42673			45103	45926	GREAT DANE	1643 ¹
		42672	45103	CR MEX	•45095			1743 ²
446070N	NATL D AUTO SEAL	•42673			45103	46017	DANA-SPICER	28820
		42672	45103	FRT-LNR	•45095	46017	VICTOR	28820
447291A	WHT-TRK	•47692			45103	461964	WHT-TRK	48884
		47697	45103	PACCAR PARTS	•45095			w/455019
447292	WHT-TRK	47699			45103	46300	PACCAR PARTS	•46300
447550C91	NAVISTAR (IHC)	35075	45135	TROSTEL	31244			46305
447551C91	NAVISTAR (IHC)	•40129	45152	FRT-LNR	45152	46304	GREAT DANE	•46300
		40136	45152	CR MEX	45152			46305
447556C92	NAVISTAR (IHC)	•44916	45152CHR	PACCAR PARTS	45152	46304	CR MEX	•46300
		44922	45152S	PACCAR PARTS	45152			46305
447557C91	NAVISTAR (IHC)	27438	45157	PACCAR PARTS	•45157	46305	PACCAR PARTS	•46300
447558C91	NAVISTAR (IHC)	28820			45160			46305
447559C91	NAVISTAR (IHC)	48794	45160	PACCAR PARTS	•45157	46305	CR MEX	•46300
447560C91	NAVISTAR (IHC)	39380			45160			46305
447561C91	NAVISTAR (IHC)	•35058	45160	FRT-LNR	•45157	46305	GREAT DANE	•46300
		35066			45160			46305

INTERNET CHANGES

COMPETITOR & MANUFACTURER

SCOTSEAL® TO GREASE SEAL

GREASE SEAL TO SCOTSEAL®

BEARING TO SCOTSEAL®

For in-text symbols, see page 6.

INTERCHANGES

COMPETITOR & MANUFACTURER

SCOTSEAL® TO GREASE SEAL

GREASE SEAL TO SCOTSEAL®

BEARING TO SCOTSEAL®

Mfr. no.	Mfr.	Part no.	Mfr. no.	Mfr.	Part no.	Mfr. no.	Mfr.	Part no.
46308	TU TRLR	•46308	47690	PACCAR PARTS	47690	47891	VICTOR	•46300
		46308	47690	CR MEX	47690			46305
46308	CHR..PACCAR PARTS	•46308	47691	KENWTH	•47691	479061	WHT-TRK	39420
		46308	47691	PACCAR PARTS	•47691	47983	VICTOR	•28759
46390	PACCAR PARTS	46390	47691	FRT-LNR	•47691			28758
46390	CR MEX	46390	47691	DANA-SPICER	•47691	48000	PACCAR PARTS	•48002
46396	PACCAR PARTS	46396	47691	VOLVO	•47691			48000
464924	C91..NAVISTAR (IHC)	27438	47691	PTRBLT	•47691	48000	CR MEX	•48002
46509S	.L & S	42800	47691	CHR..PACCAR PARTS	•47691			48000
46549	.L & S	•45093	47692	FRT-LNR	•47692	48001	CR MEX	•48002
		45099			47697			48000
46549S	.L & S	•45093	47692	FRANKLIN	•47692	48001	FRT-LNR	•48002
		45099			47697			48000
466809	WHT-TRK	39380	47692	CHR..PACCAR PARTS	•47692	48002	PACCAR PARTS	•48002
46688	GREAT DANE	1282 ⁴			47697			48000
46689	GREAT DANE	•42627	47693	FRT-LNR	•47693	48078	VICTOR	•35058
		42623			47693			35066
46753	VICTOR	•34384	47693	CHR..PACCAR PARTS	•47693	48084	VICTOR	•38776
		34387			47693			38780
46755	VICTOR	38750	47694	CHR..PACCAR PARTS	•47691	48086	VICTOR	•46300
46763	VICTOR	•34384	47695	CR MEX	•47691			46305
		34387	47695	FRT-LNR	•47691	48087	VICTOR	•42627
46769	VICTOR	•38776	47695	FRANKLIN	•47692			42623
		38780			47697	48088	VICTOR	40139
46769M	VICTOR	•38776	47697	PTRBLT	•47692	48089	VICTOR	•47692
		38780			47697			47697
46770	VICTOR	•45157	47697	CR MEX	•47692	48090	VICTOR	•35058
		45160			47697			35066
46780	VICTOR	50124	47697	PACCAR PARTS	•47692	48091	VICTOR	•38776
46800	DANA-SPICER	•43761			47697			38780
		43764	47697	KENWTH	•47692	48092	VICTOR	42550
46800	VICTOR	•43761	47697	FRT-LNR	•47692	48093	VICTOR	•45157
		43764			47697			45160
46803	VICTOR	32470	47697	CHR..PACCAR PARTS	•47692	48094	VICTOR	•43754
46841	VICTOR	•42627			47697			43752
		42623	47697	CHR..PACCAR PARTS	•47692	48096	VICTOR	•34384
46841ST	VICTOR	43800	47698	PACCAR PARTS	47698			34387
46842	VICTOR	•40129	47698	CR MEX	47698	48097	VICTOR	•45095
		40136	47699	PACCAR PARTS	47699			45103
46847	VICTOR	•43754	47699	CR MEX	47699	48098	VICTOR	•42673
		43752	47779	VICTOR	•48002			42672
46848	L & S	47699			48000	48099	VICTOR	52658
46848	VICTOR	42624	47781	VICTOR	48884	48145	VICTOR	•43761
46848S	.L & S	47699			w/455019			43764
469844	C1..NAVISTAR (IHC)	•28759	47794	VICTOR	47699	48146	VICTOR	38709
		28758	47798	UAP SEALS	32470	48147	VICTOR	•44916
469845	C1..NAVISTAR (IHC)	•34994	47798	VICTOR	32470			44922
		35000	47799	DANA-SPICER	36285	48148	VICTOR	47699
47033	VICTOR	•40129	47799	VICTOR	36285	48149	VICTOR	39420
		40136	47800	VICTOR	40040	48267	VICTOR	•45093
47059A	OSHKOSH	•35058	47802	VICTOR	43860			45099
		35066	47803	VICTOR	•48002	48278	VICTOR	•42673
471106	WHT-TRK	36285			48000			42672
		w/ OEM ring	47803	DANA-SPICER	•48002	48327	VICTOR	46396
471268	WHT-TRK	42800			48000	48328	VICTOR	50124
471269	WHT-TRK	42800	47805	VICTOR	•45157	48332	VICTOR	•23590
47-198	FLEX	50124			45160	48690	PACCAR PARTS	48690
47341	VICTOR	31175	47808	VICTOR	48794	48690	CR MEX	48690
47358	VICTOR	31175	47869	VICTOR	43860	48794	CR MEX	48794
47483	CR MEX	47483			Seal only	48794	FRT-LNR	48794
47483	PACCAR PARTS	47483	47876	VICTOR	48796	48794	CHR..PACCAR PARTS	48794
47494	VICTOR	38709	47878	VICTOR	52658	48796	PACCAR PARTS	48796
47494	DANA-SPICER	38709	47879	DANA-SPICER	39425	48796	CR MEX	48796
47495	VICTOR	•38776	47880	DANA-SPICER	•34384	48879	VICTOR	•38776
		38780	47887	VICTOR	36285			38780
475621	WHT-TRK	•38776	47889	VICTOR	43800	48884	PACCAR PARTS	48884
		38780	47890	VICTOR	48690	48884	CR MEX	48884
47634	VICTOR	48884			w/ OEM ring	48884	FRT-LNR	48884
476812	WHT-TRK	42800				48899	VICTOR	43860

For in-text symbols, see page 6.

Mfr. no.	Mfr.	Part no.	Mfr. no.	Mfr.	Part no.	Mfr. no.	Mfr.	Part no.
48905	VICTOR	43860	4PA6	STERLING	31244	505936	WHT-TRK	47699
48917	VICTOR	45157	500145000	ZF IND	35058	506003A	WHT-TRK	35058
		45160			35066			35066
48922	VICTOR	48690	500200C91	NAVISTAR (IHC)	45095	506141	EATON	43761
49002532	VOLVO/GMC/WHITE TRK	43860			45103			43764
		43860		w/416895C1		5076	NATL D AUTO SEAL	39380
49002532	WHT-TRK	43860	500282	GMC	50124	5076	TIMKENSEALS	39380
490576C92	NAVISTAR (IHC)	44916	50101-104	TRAILMO	46300	5076	CAR QUEST	39380
		44922			46305	508703	WHT-TRK	35060
490577C92	NAVISTAR (IHC)	45095	50-101-16	TRAILMO	40129	509154C91	NAVISTAR (IHC)	48796
		45103			40136	50A101-2A	TRAILMO	46300
490578C91	NAVISTAR (IHC)	44916	50-101-16D	TRAILMO	40129			46305
		44922			40136	50A101-2B	TRAILMO	46300
	w/416895C1		50-101-23	TRAILMO	40129			46305
493287	WHT-TRK	45157			40136	50A101-2C	TRAILMO	46300
		45160	50-101-23D	TRAILMO	40129			46305
494408C91	NAVISTAR (IHC)	43761			40136	50A101-2D	TRAILMO	46300
		43764	50-101-32	TRAILMO	39380			46305
49501	VICTOR	31244	50-101-51	TRAILMO	43754	50A101-2E	TRAILMO	46300
	w/ OEM ring				43752			46305
49598	VICTOR	31244	50-101-51D	TRAILMO	43754	50A101-4A	TRAILMO	43754
49792	VICTOR	31244			43752			43752
49796	VICTOR	31244	50-101-52	TRAILMO	43754	50A101-4B	TRAILMO	43754
49829	VICTOR	50124			43752			43752
49836	VICTOR	45157	50-101-52D	TRAILMO	43754	50A101-4C	TRAILMO	43754
		45160			43752			43752
49837	VICTOR	43860	50-101-54	TRAILMO	42627	50A101-4D	TRAILMO	43754
49844	VICTOR	36365			42623			43752
49846	VICTOR	40129	501-01-560	TRAILMO	46300	50A101-4E	TRAILMO	43754
		40136			46305			43752
49872	VICTOR	44964	50-101-56A	TRAILMO	46300	5100	NATL D AUTO SEAL	31307
49885	VICTOR	42673			46305	5100	TIMKENSEALS	31307
		42672	50-101-56B	TRAILMO	46300	5100	CAR QUEST	31307
49888	VICTOR	40091			46305	5100	KAMAN	31307
		40086	50-101-56C	TRAILMO	46300	510515	WHT-TRK	47692
49901	VICTOR	45093			46305			47697
		45099	50-101-56D	TRAILMO	46300	5110	NATL D AUTO SEAL	44916
49909	VICTOR	38709			46305			44922
49911	VICTOR	35060	50-101-58	TRAILMO	46300	5110	TIMKENSEALS	44916
	w/ OEM ring				46305			44922
49912	VICTOR	39380	50-101-59	TRAILMO	46300	511030C1	NAVISTAR (IHC)	39979
49915	VICTOR	39380			46305			39988
	w/ OEM ring		50-101-79	TRAILMO	46300	511356	WHT-TRK	43860
49917	VICTOR	42673			46305	512657C1	NAVISTAR (IHC)	46300
		42672	50-101-80A	TRAILMO	46300			46305
49920	VICTOR	38776			46305	512936C91	NAVISTAR (IHC)	1643 ¹
		38780	50-101-80B	TRAILMO	46300			1743 ²
49937	VICTOR	43860			46305	516302C1	NAVISTAR (IHC)	38747
49938	VICTOR	39380	50-101-80C	TRAILMO	46300	516778C91	NAVISTAR (IHC)	48884
49939	VICTOR	48884			46305	518350	GMC	44964
	w/455019		50-101-80D	TRAILMO	46300	52119038	FONTAINE	46300
49941	VICTOR	39380			46305			46305
49943	VICTOR	36365	50-101-80F	TRAILMO	46300	5257169	GMC	34384
49947	VICTOR	35058			46305			34387
		35066	50-101-82	TRAILMO	40129	52658	CR MEX	52658
49948	VICTOR	42800			40136	52658CHR	PACCAR PARTS	52658
49949	DANA-SPICER	32470	50-101-83	TRAILMO	43754	527501	WHT-TRK	31244
49949	VICTOR	32470			43752	527502	WHT-TRK	35060
49953	VICTOR	35075	50-101-88	TRAILMO	46300	527503	WHT-TRK	36285
49958	VICTOR	31307			46305	530370	FRT-LNR	46390
49968	VICTOR	45157	50-101-89	TRAILMO	43754		w/450208	
		45160			43752	530480	FRT-LNR	46390
4BL0412	AUTOCAR	40129	50-101-96	TRAILMO	46300		w/450208	
		40136			46305	530480	FRUHAUF	46390
4BM0412	AUTOCAR	31307	50-101-97	TRAILMO	43754		w/450208	
4C4Z1S175GA	FORD	38776			43752	530713C91	NAVISTAR (IHC)	45095
		38780	50124	CR MEX	50124			45103
4C4Z1S175HA	FORD	34994	50124CHR	PACCAR PARTS	50124	531543	WHT-TRK	31244
		35000	50565S	TROSTEL	31244			

INTERNET CHANGES

COMPETITOR & MANUFACTURER

SCOTSEAL® TO GREASE SEAL

GREASE SEAL TO SCOTSEAL®

BEARING TO SCOTSEAL®

INTERCHANGES

COMPETITOR & MANUFACTURER

SCOTSEAL® TO GREASE SEAL

GREASE SEAL TO SCOTSEAL®

BEARING TO SCOTSEAL®

Mfr. no.	Mfr.	Part no.	Mfr. no.	Mfr.	Part no.	Mfr. no.	Mfr.	Part no.
53200419	GOV ISRA	•43761	5467	TIMKENSEALS	43860	55361S60	NATL D AUTO SEAL	50124
		43764	5468	NATL D AUTO SEAL	•48002	55361S60	TIMKENSEALS	50124
53220	TROSTEL	31307			48000	553778	WHT-TRK	•43761
532664	WHT-TRK	36285	5468	TIMKENSEALS	•48002			43764
		w/ OEM ring			48000	55377S60	NATL D AUTO SEAL	48884
532664B	WHT-TRK	31244	546977	CATPLR	•38776		w/455019	
		w/ OEM ring			38780	55377S60	TIMKENSEALS	48884
532665	WHT-TRK	36285	5473W/726CONE	TIMKENSEALS			w/455019	
		w/ OEM ring			48884	554366	FRUHAUF	1627 ¹
5330-00-148-1444	FSN	•43754			w/455019			1727 ²
		43752	5473W/726CONE			5553	NATL D AUTO SEAL	•47692
5330-00-527-9264	FSN	1643 ¹	NATL D AUTO SEAL	48884				47697
		1743 ²		w/455019		5553	TIMKENSEALS	•47692
5330-01-047-9333	FSN	•46300	5473W/758CONE	TIMKENSEALS				47697
		46305		48884		5554	NATL D AUTO SEAL	47699
5330-01-048-6240	FSN	48884	5473W/758CONE	NATL D AUTO SEAL	48884	5554	TIMKENSEALS	47699
5330-01-049-4093	FSN	•40129		w/455019		5563	TIMKENSEALS	39420
		40136	5475	NATL D AUTO SEAL	•38776	5563	NATL D AUTO SEAL	39420
5330-01-075-0810	FSN	•43761		38780		55822R1	NAVISTAR (IHC)	27438
		43764	5475	TIMKENSEALS	•38776		w/ OEM ring	
5330-01-090-2107	FSN	•46300		38780		55823R1	NAVISTAR (IHC)	27438
		46305	5481	NATL D AUTO SEALS	•47692		w/ OEM ring	
5330-01-117-1014	FSN	•47692		47697		56049J	DIA T	31307
		47697	5481	CAR QUEST	•47692	5611TA	FLAIR	•40129
5330-01-119-5782	FSN	35075		47697				40136
5330-088-1385	FSN	40139	5481	TIMKENSEALS	•47692	5611TA	OSHKOSH	•40129
53320	TROSTEL	43860		47697				40136
534320	CHR	PACCAR PARTS	5481	TIMKENSEALS	•47692	56153R91	NAVISTAR (IHC)	•47692
53706410	CHRYSR	•47692		47697				47697
		47697	5495	NATL D AUTO SEAL	47699	56208F	DIA T	•47692
53706410	FRT-LNR	•47692		47699				47697
		47697	5495	TIMKENSEALS	47699	563601	WHT-TRK	•45157
53706510	FRT-LNR	•35058		46390				45160
		35066	5500	NATL D AUTO SEAL	46390	563602	WHT-TRK	43860
53706510	CHRYSR	•35058		40136		563603	WHT-TRK	42800
		35066	5502	TIMKENSEALS	•40129	563604	WHT-TRK	•38776
53706710	CHRYSR	•38776		40136				38780
		38780	5502	NATL D AUTO SEAL	•40129	563605	WHT-TRK	•47692
53706710	FRT-LNR	•38776		40136				47697
		38780	5503	NATL D AUTO SEAL	•40129	563606	WHT-TRK	47699
53707110	FRT-LNR	•43761		40136		5649	TIMKENSEALS	•34384
		43764	5503	TIMKENSEALS	•40129			34387
53707110	CHRYSR	•43761		40136		5649	NATL D AUTO SEAL	•34384
		43764	55037S60	TIMKENSEALS	39420	5649	GREEN BALL BEARING	•34384
53848010	BLUEBIRD	1643 ¹		40136				34387
		1743 ²	5504	NATL D AUTO SEAL	•40129	5649	CAR QUEST	•34384
539213	WHT-TRK	31244		40136		5649	NAVISTAR (IHC)	48884
544544	WHT-TRK	•40129		45157			w/455019	
		40136	55058S60	TIMKENSEALS	•45157	570D6	REQ	39380
544570	WHT-TRK	43860		45160		571720	C91	NAVISTAR (IHC)
544630	WHT-TRK	•38776		45160				48796
		38780	55060S	TIMKENSEALS	43860	57202	TROSTEL	•45157
544692	WHT-TRK	40139		43860				45160
544693	WHT-TRK	•45157	55060S	NATL D AUTO SEAL	43860	5727501	WHT-TRK	31244
		45160		50124		574362	CHRYSR	32470
544693	VOLVO TRK NA	•45157		50124		57688R91	NAVISTAR (IHC)	•38776
		45160	55100	TIMKENSEALS	31244			38780
544694	WHT-TRK	•47692		55172		582587C91	NAVISTAR (IHC)	45162
		47697	55140	TROSTEL	31244			45157
544695	WHT-TRK	42800		55177		58394	EATON	•45157
54533HA	NAVISTAR (IHC)	•34384		55177				45160
		34387	55200	TIMKENSEALS	44964	58926	STRICK	•46300
54534HA	NAVISTAR (IHC)	•34384		44964				46305
		34387	55200	NATL D AUTO SEAL	44964	589822C91	NAVISTAR (IHC)	•28759
5464	NATL D AUTO SEAL	35075		50124				28758
5464	TIMKENSEALS	35075	55285	NATL D AUTO SEAL	50124	589823C91	NAVISTAR (IHC)	•34994
5465	TIMKENSEALS	39420		43764				35000
5465	NATL D AUTO SEAL	39420	553408	WHT-TRK	•43761	594962C1	NAVISTAR (IHC)	•47692
5467	NATL D AUTO SEAL	43860		43764				47697
			55361L60	NATL D AUTO SEAL	50124			
				TIMKENSEALS	50124			

594964C1-65071U

Mfr. no.	Mfr.	Part no.	Mfr. no.	Mfr.	Part no.	Mfr. no.	Mfr.	Part no.
594964C1	NAVISTAR (IHC)	•43761	613-19-86	TRAILMO	•40129	64566	VICTOR	42550
		43764			40136			w/455024
594965C1	NAVISTAR (IHC)	•28759	6174SR	OSHKOSH	42800	64567	VICTOR	43860
		28758	619	GMC	32470	64569	VICTOR	52658
594966C1	NAVISTAR (IHC)	•44916	619884	WHT-TRK	•40129	6457	TIMKENSEALS	35075
		44922			40136	6457	NATL D AUTO SEAL	35075
594967C1	NAVISTAR (IHC)	•45095	620848	WHT-TRK	47699	64571	VICTOR	50124
		45103	625412	WHT-TRK	43860			Seal only
596555C1	NAVISTAR (IHC)	•35058	62797961	CLARK	•34384	64584	VICTOR	38736
		35066	63043R91	NAVISTAR (IHC)	38709	64589	VICTOR	39380
596556C1	NAVISTAR (IHC)	48884	64009	TRISEAL	1643 ¹			Seal only
596D2-11	REO	48794			1743 ²	64603	VICTOR	•47692
596D2-13	REO	48794	64013	TRISEAL	1642 ¹			47697
596D2-14	REO	48794			1742 ²			Seal only
596D2-15	REO	48794	64024	TRISEAL	1612 ¹	64678	EATON	•38776
596D2-19	REO	28820			1711 ²			38780
596D2-2	REO	•35058	64042	TRISEAL	1665 ¹	65000	TRISEAL	40040
		35066			1765 ²	65000U	TRISEAL	•44916
596D2-20	REO	28820	640454	WHT-TRK	39380			44922
596D2-38	REO	48794			w/ OEM ring	65000W/63009JRING	TRISEAL	40040
596D2-39	REO	48796	64046	TRISEAL	1643 ¹	65000W/63093JRING	TRISEAL	
596D2-4	REO	•35058			1743 ²			•44916
		35066	64075	TRISEAL	1282 ⁴			44922
596D2-40	REO	48796	64227	VICTOR	36285	65005W/63052JRING	TRISEAL	31175
596D2-44	REO	28820	64234	VICTOR	39380	65011	TRISEAL	•34384
596D2-45	REO	48796	64249	TRISEAL	1613 ¹			34387
596D2-50	REO	•35058			1703 ²	65011W/63062JRING	TRISEAL	
		35066	64412	VICTOR	35075			•34384
596D2-6	REO	•35058			Seal only			34387
		35066	64414	VICTOR	•35058	65016W/63017JRING	TRISEAL	32470
597138	ACF	50124			35066	65018W/63064JRING	TRISEAL	31307
598462	CHRYSR	31244	64415	VICTOR	•44916	65027U	TRISEAL	42550
5994989	AM GEN	1643 ¹			44922			w/455024
		1743 ²	64443	VICTOR	42800	65030U	TRISEAL	52658
5994990	AM GEN	•35058			Seal only	65030W/67067JRING	TRISEAL	
		35066	64456	VICTOR	35075			52658
5994991	AM GEN	•47692	64460	VICTOR	32470	65044W/63007JRING	TRISEAL	50124
		47697	64464	VICTOR	31175	65052	TRISEAL	38747
599D6	REO	42800	64471	VICTOR	31281	65052W/63091JRING	TRISEAL	38747
5G8035	CATPLR	•45093	64482	VICTOR	38747	65052W63091JRIN	TRISEAL	38747
		45099	64487	VICTOR	28820	65054	TRISEAL	39425
5M498	NATL D AUTO SEAL	35075			Seal only	65054U	TRISEAL	39425
5M498	TIMKENSEALS	35075	64491	VICTOR	36358	65054W	TRISEAL	39425
5M93	TIMKENSEALS	46390	64495	VICTOR	•39979	65054W/63018JRING	TRISEAL	39425
5M93	NATL D AUTO SEAL	46390			39988	65055	TRISEAL	28832
5X265	R-STD	•40129			Seal only	65055W/63008JRING	TRISEAL	28832
		40136	64511	VICTOR	36285	65056	TRISEAL	•47692
5X418	R-STD	35075	64517	VICTOR	•43761			47697
60106	TROSTEL	31175			43764	65056U	TRISEAL	•47692
60301S	TROSTEL	•45157			43764			47697
		45160	64530	VICTOR	•35058	65056W/67090JRING	TRISEAL	
604973	GMC	44964			35066			•47692
604973	R-STD	44964	64531	HENDKSN	•35058			47697
6049C	DIA T	•40129			35066	65060	TRISEAL	•46300
		40136	64534	VICTOR	28832			46305
6050-101-2	TRAILMO	•46300	64538	VICTOR	•34971	65060U	TRISEAL	•46300
		46305			34975			46305
60567	STRICK	•42627	64539	VICTOR	•45095	65060W/67048JRING	TRISEAL	
		42623			45103			•46300
61110263	FRT-LNR	•35058	64541	VICTOR	31281			46305
		35066	64542	VICTOR	•45093	65065	TRISEAL	•48002
61120448	FRT-LNR	•38776			45099			48000
		38780	64546	VICTOR	47699	65065W	TRISEAL	•48002
61120450	FRT-LNR	•47692	64553	VICTOR	43865			48000
		47697	64558	VICTOR	•34384	65065W/67090JRING	TRISEAL	47690
61257	VICTOR	42800			34387	65071	TRISEAL	•42673
613-19-170	TRAILMO	•43754	64561	VICTOR	31307			42672
		43752	64564	VICTOR	31307	65071U	TRISEAL	•42673
					Seal only			42672

INTERCHANGES

COMPETITOR & MANUFACTURER

SCOTSEAL® TO GREASE SEAL

GREASE SEAL TO SCOTSEAL®

BEARING TO SCOTSEAL®

For in-text symbols, see page 6.

I
N
T
E
R
C
H
A
N
G
E
S

COMPETITOR &
MANUFACTURER

SCOTSEAL® TO
GREASE SEAL

GREASE SEAL TO
SCOTSEAL®

BEARING TO
SCOTSEAL®

Mfr. no.	Mfr.	Part no.	Mfr. no.	Mfr.	Part no.	Mfr. no.	Mfr.	Part no.
65072	.TRISEAL	•45157	65269	.TRISEAL	48884	6584	.TIMKENSEALS	32470
		45160	65269W/63095	JRING..TRISEAL	48884	65872A	.OSHKOSH	48884
65072W/63093	JRING..TRISEAL		65270	.TRISEAL	•45093	65872AX	.OSHKOSH	48884
		•45157			45099	65917	.FWD	31244
		45160	65270U	.TRISEAL	•45093			w/ OEM ring
65073W/63010	JRING..TRISEAL	35075			45099	65922	.FWD	36285
		w/ OEM ring	65270W/63093	JRING..TRISEAL				w/ OEM ring
65073W/63036	JRING..TRISEAL	35075			•45093	65926	.FWD	36365
65073W/63051	JRING..TRISEAL	36365			45099	659683	.WHT-TRK	36285
		w/ OEM ring	65271W/67023	JRING..TRISEAL	42624	65971	.FWD	31244
65073W/63063	JRING..TRISEAL	35075	65272W	.TRISEAL	•45093			w/ OEM ring
650773	.WHT-TRK	48884			45099	659966	.WHT-TRK	38709
		w/455019	65275U	.TRISEAL	38709	66015	.FRT-LNR	•35058
65078U	.TRISEAL	•45095	65275W/63012	JRING..TRISEAL	38709			35066
		45103	65276W/63012	JRING..TRISEAL	•38776	661D2	.WHT-TRK	48794
65078W/63093	JRING..TRISEAL				38780	663043R91	.NAVISTAR (IHC)	38709
		•45095	65277	.TRISEAL	42800	663379	.WHT-TRK	47699
		45103	65277W/63014	JRING..TRISEAL	42800	663473	.GMC	•45157
65081210	.GOV ISRA	38709	65280W/63008	JRING..TRISEAL	28820			45160
65084	.TRISEAL	43860	65282W/63020	JRING..TRISEAL	36365	6635	.TIMKENSEALS	42800
65084W/63026	JRING..TRISEAL	43860			w/ OEM ring	6635	.NATL D AUTO SEAL	42800
65092	.TRISEAL	•43761	65283	.TRISEAL	45152	6635S	.TIMKENSEALS	42800
		43764	65283U	.TRISEAL	47699	6635S	.CAR QUEST	42800
65092U	.TRISEAL	•43761	65283W/63079	JRING..TRISEAL	47699	6635S	.NATL D AUTO SEAL	42800
		43764	65285	.TRISEAL	43865	6638	.NATL D AUTO SEAL	•35058
65092W/63037	JRING..TRISEAL	•43761	65285W/63026	JRING..TRISEAL	43865			35066
		43764	65287	.TRISEAL	48794	6638	.TIMKENSEALS	•35058
65111U	.TRISEAL	•34384	65287W/63028	JRING..TRISEAL	48794			35066
		34387	65289W/63032	JRING..TRISEAL	36285	665691	.GMC	•35058
65116U	.TRISEAL	32470			w/ OEM ring			35066
65152U	.TRISEAL	•38776	65289W/63033	JRING..TRISEAL	35060	665692	.GMC	1665 ¹
		38780			w/ OEM ring			1765 ²
65165U	.TRISEAL	47690	65289W/67036	JRING..TRISEAL	35075	670118	.WHT-TRK	•40129
65172U	.TRISEAL	•45157	65291	.TRISEAL	36285			40136
		45160	65291U	.TRISEAL	36285	672D2	.REO	28820
65179R91	.NAVISTAR (IHC)	38709	65291W/63034	JRING..TRISEAL	36285	674105	.WHT-TRK	•34384
65184U	.TRISEAL	43860	65292W/63035	JRING..TRISEAL	35060			34387
65261	.TRISEAL	•40129			w/ OEM ring	674231	.GMC	1787 ²
		40136	65293W/63050	JRING..TRISEAL	31244	674237	.GMC	48794
65261U	.TRISEAL	•40129			w/ OEM ring	674D2	.REO	•35058
		40136	65294U	.TRISEAL	•39979			35066
65261W/67013	JRING..TRISEAL	•40129			39988	6755	.TIMKENSEALS	•45093
		40136			w/455031			45099
65262	.TRISEAL	•42627	65294W/63011	JRING..TRISEAL	•39979	6755	.NATL D AUTO SEAL	•45093
		42623			39988			45099
65262U	.TRISEAL	•42627			w/ OEM ring	675711	.WHT-TRK	•45157
		42623	65294W/63038	JRING..TRISEAL				45160
65262W	.TRISEAL	•42627			•39979	67696R91	.NAVISTAR (IHC)	43860
		42623			39988	6780	.NATL D AUTO SEAL	28820
65262W/63022	JRING..TRISEAL	46390			w/455031	6780	.TIMKENSEALS	28820
		w/450208	65296W/63030	JRING..TRISEAL	31244	679D2	.REO	48794
65262W/63023	JRING..TRISEAL				w/ OEM ring	680272R92	.NAVISTAR (IHC)	1643 ¹
		•42627	65298	.TRISEAL	•43754			1743 ²
		42623	65298U	.TRISEAL	•43754	680273R91	.NAVISTAR (IHC)	48794
65262W/63041	JRING..TRISEAL	43800			43752	680299R91	.NAVISTAR (IHC)	48794
		w/ OEM ring	65298W/63037	JRING..TRISEAL	•43754	680391	.GMC	1643 ¹
65262W/68023	J..TRISEAL	•42627			43752			1743 ²
		42623	65299W/63028	JRING..TRISEAL	48796	680392	.GMC	38750
65262W63023	JRIN..TRISEAL	•42627	65299W/63043	JRING..TRISEAL	45162	6809970146	.FRT-LNR	•34384
		42623	654686	.GMC	36285			34387
65262W63041	JRIN..TRISEAL	43800	654687	.GMC	•45157	6809970446	.FRT-LNR	•28759
65263	.TRISEAL	•35058			45160			28758
		35066	6573	.TIMKENSEALS	44964	681277	.WHT-TRK	42800
65263U	.TRISEAL	•35058	6573	.NATL D AUTO SEAL	44964	6819970246	.FRT-LNR	55177
		35066	657668	.WHT-TRK	31244	6834	.TIMKENSEALS	39420
65263W/67036	JRING..TRISEAL		657890	.WHT-TRK	31244	6834	.NATL D AUTO SEAL	39420
		•35058	6584	.KAMAN	32470	683590	.GMC	39380
		35066	6584	.NATL D AUTO SEAL	32470	68380	.EATON	43860
65267W/63018	JRING..TRISEAL	39380						

For in-text symbols, see page 6.

685215-700-1-260L

Mfr. no.	Mfr.	Part no.	Mfr. no.	Mfr.	Part no.	Mfr. no.	Mfr.	Part no.
685215	GMC	•47692	69616K	TRISEAL	•39979	69757K	TRISEAL	•46300
		47697			39988			46305
685216	GMC	•47692			w/ OEM ring	697632	GMC	55177
		47697	69619K	TRISEAL	48794	697768	GMC	•43754
686059	GMC	1623 ¹	69620K	TRISEAL	39380			43752
		1723 ²			w/ OEM ring	697770	GMC	1643 ¹
6864W/47686	CONES	TIMKENSEALS	69621K	TRISEAL	31244			1743 ²
		38750			w/ OEM ring	69781K	TRISEAL	52658
6864W/47686	CONES		69622K	TRISEAL	36285	69782K	TRISEAL	48884
NATL D AUTO SEAL		38750			w/ OEM ring	69783K	TRISEAL	48884
6869	TIMKENSEALS	•48002	69623K	TRISEAL	35060	69785K	TRISEAL	•34384
		48000			w/ OEM ring			34387
6869	NATL D AUTO SEAL	•48002	69624K	TRISEAL	36285	69786K	TRISEAL	•34994
		48000	69625K	TRISEAL	35060			35000
686996	GMC	36365			w/ OEM ring	69787K	TRISEAL	39425
6872	TIMKENSEALS	•47692	69626K	TRISEAL	•35058	69788K	TRISEAL	•42673
		47697			35066			42672
6872	NATL D AUTO SEAL	•47692	69627K	TRISEAL	•43761	69789K	TRISEAL	47699
		47697			43764	69790K	TRISEAL	•40129
688061	GMC	•48002	69628K	TRISEAL	•39979			40136
		48000			39988	69791K	TRISEAL	•45157
688316	GMC	42550			w/455031			45160
688392	GMC	38750	69629K	TRISEAL	43800	69792K	TRISEAL	43865
6928N	NATL D AUTO SEAL	50124			w/ OEM ring	69793K	TRISEAL	•45093
6928N	TIMKENSEALS	50124	69637K	TRISEAL	35075			45099
69307R91	NAVISTAR (IHC)	•34384	69639K	TRISEAL	28832	69794K	TRISEAL	•38776
		34387	69640K	TRISEAL	48796			38780
69503K	TRISEAL	35075	69643K	TRISEAL	•46300	69795K	TRISEAL	42800
		w/ OEM ring			46305	69797K	TRISEAL	43860
69504K	TRISEAL	35075	69688K	TRISEAL	35075	69798K	TRISEAL	•48002
69505K	TRISEAL	•46300	69689K	TRISEAL	35075			48000
		46305	69690K	TRISEAL	48794	69799K	TRISEAL	•47692
69507K	TRISEAL	35075	69691K	TRISEAL	40040			47697
69509K	TRISEAL	•43754	69692K	TRISEAL	•44916	698028	WHT-TRK	•38776
		43752			44922			38780
69510K	TRISEAL	•40129	69693K	TRISEAL	36285	698444R91	NAVISTAR (IHC)	•40129
		40136	69695K	TRISEAL	28832			40136
69512K	TRISEAL	45162	69696K	TRISEAL	•45095	698764R91	NAVISTAR (IHC)	•40129
69519K	TRISEAL	46390			45103			40136
		w/450208	69697K	TRISEAL	•43761	698770	GMC	1643 ¹
69520K	TRISEAL	•42627			43764			1743 ²
		42623	69698K	TRISEAL	43800	7000	FORD	28820
69521K	TRISEAL	42624			w/ OEM ring	700016	WHT-TRK	•43754
69541K	TRISEAL	42624	69699K	TRISEAL	•35058			43752
69589K	TRISEAL	35075			35066	700-101-1	TRAILMO	1642 ¹
69590K	TRISEAL	35075	69701K	TRISEAL	48884			1742 ²
69593K	TRISEAL	•40129	69702K	TRISEAL	•45093	700-101-10	TRAILMO	•47692
		40136			45099			47697
69594K	TRISEAL	46390	69703K	TRISEAL	•45157	700-101-2	TRAILMO	1643 ¹
69596K	TRISEAL	•42627			45160			1743 ²
		42623	69705K	TRISEAL	38709	700-101-5	TRAILMO	•42627
69597K	TRISEAL	•40129	69706K	TRISEAL	•38776			42623
		40136			38780	700-101-6	TRAILMO	•40129
69598K	TRISEAL	•46300	69707K	TRISEAL	42800			40136
		46305	697119R91	NAVISTAR (IHC)	50124	700-101-7	TRAILMO	•46300
69599K	TRISEAL	•43754	69711K	TRISEAL	39380			46305
		43752	69716K	TRISEAL	47699	700-101-8	TRAILMO	•43754
69603K	TRISEAL	31175	69717K	TRISEAL	43860			43752
69604K	TRISEAL	31244	69725K	TRISEAL	•34384	700-101-9	TRAILMO	•35058
		w/ OEM ring			34387			35066
69605K	TRISEAL	36365	69730K	TRISEAL	31307	700105	WHT-TRK	36285
		w/ OEM ring	69743K	TRISEAL	42550	700-1-260	TRAILMO	•40129
69608K	TRISEAL	40040			w/455024			40136
69609K	TRISEAL	•44916	69750K	TRISEAL	50124	700-1-260D	TRAILMO	1642 ¹
		44922	69754K	TRISEAL	38747			1742 ²
69611K	TRISEAL	32470	69755K	TRISEAL	39425	700-1-260E	TRAILMO	1643 ¹
69612K	TRISEAL	28820	69756K	TRISEAL	•47692			1743 ²
69614K	TRISEAL	36365			47697	700-1-260L	TRAILMO	•40129
		w/ OEM ring						40136

INTERCHANGES

COMPETITOR & MANUFACTURER

SCOTSEAL® TO GREASE SEAL

GREASE SEAL TO SCOTSEAL®

BEARING TO SCOTSEAL®

For in-text symbols, see page 6.

INTERCHANGES

COMPETITOR & MANUFACTURER

SCOTSEAL® TO GREASE SEAL

GREASE SEAL TO SCOTSEAL®

BEARING TO SCOTSEAL®

Mfr. no.	Mfr.	Part no.	Mfr. no.	Mfr.	Part no.	Mfr. no.	Mfr.	Part no.
700-1-260T	TRAILMO	•40129	710395	TIMKENSEALS	27438	718400	MECHNX/BARRIER	31244
		40136	710395	KAMAN	27438		w/ OEM ring	
700-1-261	TRAILMO	46390	710395	NATL D AUTO SEAL	27438	718400W/401252RING	MECHNX/	
700-1-261D	TRAILMO	1627 ¹	710400	MECHNX/BARRIER	32470	BARRIER		31244
		1727 ²	710536	GMC	32470		w/ OEM ring	
700263	WHT-TRK	•35058	711-000	STEMCO	35075	718657	WHT-TRK	38709
		35066	71-1207	L & S	43860	719400	MECHNX/BARRIER	•39979
700284	WHT-TRK	•45093	71-1207	ABD	43860			39988
		45099	71-1216	L & S	47699		w/455031	
7006	TIMKENSEALS	47699	712-000	STEMCO	•43754	719400W/401253RING	MECHNX/	
7006	NATL D AUTO SEAL	47699			43752	BARRIER		•39979
701224	GMC	43860	712-0043	AURORA PUMP	47690			39988
701225	GMC	•45157	712831	NATL D AUTO SEAL	39420		w/455031	
		45160	712831	TIMKENSEALS	39420	721490	GMC	•43761
701226	GMC	•48002	712831	GMC	39420			43764
		48000	712832	GMC	36285	722-000	STEMCO	46390
701400	MECHNX/BARRIER	•28759	712833	GMC	32470		w/450208	
		28758	712834	GMC	38750	72298C	DIA T	39380
701679	GMC	•48002	713-000	STEMCO	•40129	723-000	STEMCO	•42627
		48000			40136			42623
70213777	WHT-TRK	•38776	713273	WHT-TRK	•47692	724-000	STEMCO	42624
		38780			47697	725400	MECHNX/BARRIER	28832
7029	NATL D AUTO SEAL	48884	713400	MECHNX/BARRIER	48796	726400	MECHNX/BARRIER	•40091
7029	TIMKENSEALS	48884	71-36285	L & S	36285			40086
703-000	STEMCO	•40129	71-38780	L & S	•38776	731-000	STEMCO	•40129
		40136			38780			40136
	w/ OEM ring		71-39380	L & S	39380		w/ OEM ring	
7041	NATL D AUTO SEAL	36285	714-000	STEMCO	40139	73124673	FIAT-ALS	•46300
7041	TIMKENSEALS	36285	71-42550	L & S	42550			46305
704303	GMC	48796	71-43752	L & S	•43754	731400	MECHNX/BARRIER	•34971
704925	GMC	•47692			43752			34975
		47697	71-43795	L & S	42800	735-000	STEMCO	40139
705-000	STEMCO	35075	714400	MECHNX/BARRIER	•44916		w/ OEM ring	
	w/ OEM ring				44922	736400	MECHNX/BARRIER	•45095
705400	MECHNX/BARRIER	•35058	71-45098	L & S	•45093			45103
		35066			45099	7376	NATL D AUTO SEAL	•47692
70541S	TRISEAL	42624	71-45160	L & S	•45157			47697
705762	GMC	48796			45160	7376	TIMKENSEALS	•47692
705925	GMC	•47692	714702	WHT-TRK	•40129			47697
		47697			40136	7378	CAR QUEST	47699
70596S	TRISEAL	•42627	71-48000	L & S	•48002	7378	KAMAN	47699
		42623			48000	7378	NATL D AUTO SEAL	47699
70597S	TRISEAL	•40129	715-000	STEMCO	45162	7378	TIMKENSEALS	47699
		40136		w/ OEM ring		73873	EATON	42550
70598S	TRISEAL	•46300	71-50670	L & S	47699		w/455024	
		46305	715506	GMC	40040	740400	MECHNX/BARRIER	42624
70599S	TRISEAL	•43754	716122	GMC	•43761	741400	MECHNX/BARRIER	45162
		43752			43764	74147	GMC	•40129
706-000	STEMCO	35075	716400	MECHNX/BARRIER	36285			40136
706400	MECHNX/BARRIER	•43761		w/ OEM ring		742400	MECHNX/BARRIER	28820
		43764	716400W/401254RING	MECHNX/	36285	742E7-72238	LUFKIN	•46300
706765	GMC	42800	BARRIER		36285			46305
707-000	STEMCO	•46300		w/ OEM ring		742E7-72239	LUFKIN	1643 ¹
		46305	716761	WHT-TRK	43860			1743 ²
70791S	TRISEAL	•45157	716D6	REO	•47692	742EP46740	LUFKIN	•40129
		45160			47697			40136
70794S	TRISEAL	•38776	717-000	STEMCO	45162	742EP49180	LUFKIN	•40129
		38780	717054	GMC	•47692			40136
70798S	TRISEAL	•48002			47697	742EP49247	LUFKIN	1643 ¹
		48000	717400	MECHNX/BARRIER	36358			1743 ²
70799S	TRISEAL	•47692		w/ OEM ring		742EP49250	LUFKIN	40139
		47697	717400W/401255RING	MECHNX/	36365	742EP49252	LUFKIN	1642 ¹
708400	MECHNX/BARRIER		BARRIER		36365			1742 ²
		48794		w/ OEM ring		7430	NATL D AUTO SEAL	40040
709-000	STEMCO	35075	7179	NATL D AUTO SEAL	32470	7430	TIMKENSEALS	40040
709400	MECHNX/BARRIER	36285	7179	TIMKENSEALS	32470	743-000	STEMCO	•46300
70HH1131	DANA-SPICER	•38776	7179S	TIMKENSEALS	32470			46305
		38780	7179S	NATL D AUTO SEAL	32470	7430S	NATL D AUTO SEAL	40040
710360	GMC	43860	718-000	STEMCO	39380	7430S	TIMKENSEALS	40040

For in-text symbols, see page 6.

Mfr. no.	Mfr.	Part no.	Mfr. no.	Mfr.	Part no.	Mfr. no.	Mfr.	Part no.
7430S54	TIMKENSEALS	40040	768400W/401200RING	MECHNX/ BARRIER	48884	7EQ1175	FORD	38776
7430S54	NATL D AUTO SEAL	40040			w/455019			38780
743400	MECHNX/BARRIER	46390	76911F	DIA T	45157	7EQ1175A	FORD	39380
		w/450208			45160	7EQ1175A1	FORD	39380
743400W/401256RING	MECHNX/ BARRIER	46390	769400	MECHNX/BARRIER	48884	7EQ1175A2	FORD	39380
		w/450208	770400	MECHNX/BARRIER	38776	7EQ1175H	FORD	38776
744-000	STEMCO	43754			38780			38780
		43752	771400	MECHNX/BARRIER	43860	7EQH1175A2	FORD	39380
7452	TIMKENSEALS	43860	771723C91	NAVISTAR (IHC)	45157	7QH1175	FORD	38776
7452	NATL D AUTO SEAL	43860			45160			38780
7452S	NATL D AUTO SEAL	43860	772186C91	NAVISTAR (IHC)	44916	7QQ1175A	FORD	34384
7452S	TIMKENSEALS	43860			44922			34387
7453	TIMKENSEALS	45157	772400	MECHNX/BARRIER	45157	8004633	GMC	44964
		45160			45160	8004670	GMC	44964
7453	NATL D AUTO SEAL	45157	7729603970	COOPER AIR	1643 ¹	8004855	GMC	44964
		45160			1743 ²	8005	NATL D AUTO SEAL	42627
7454	NATL D AUTO SEAL	48002	773400	MECHNX/BARRIER	39420			42623
		48000	774400	MECHNX/BARRIER	38750	8005	TIMKENSEALS	42627
7454	TIMKENSEALS	48002	775400	MECHNX/BARRIER	39380			42623
		48000	775697C91	NAVISTAR (IHC)	48794	8005S	NATL D AUTO SEAL	42627
745400	MECHNX/BARRIER		775698C91	NAVISTAR (IHC)	47692			42623
		42627			47697	8005S	TIMKENSEALS	42627
		42623	776400	MECHNX/BARRIER	38709			42623
7454S	TIMKENSEALS	48002	777400	MECHNX/BARRIER	48002	801-000	STEMCO	40091
		48000			48000			40086
7454S	NATL D AUTO SEAL	48002	778400	MECHNX/BARRIER	34994	8028831	VOLVO/GMC/WHITE TRK	1343 ³
		48000			35000			1343 ³
7455	TIMKENSEALS	47699	77895	FRT-LNR	46390	8037418	GMC	31244
7455	NATL D AUTO SEAL	47699			w/450208			w/ OEM ring
7455S	NATL D AUTO SEAL	47699	780316C91	NAVISTAR (IHC)	44916	803816	TELEDYNE	31175
7455S	TIMKENSEALS	47699			44922	8060889	VOLVO/GMC/WHITE TRK	
746-000	STEMCO	28820	780D6	REO	34384			43761
		w/ OEM ring			34387			43764
746400	MECHNX/BARRIER	35075	781400	MECHNX/BARRIER	43875	8085822	VOLVO/GMC/WHITE TRK	1343 ³
747400	MECHNX/BARRIER	40129	781564C91	NAVISTAR (IHC)	1788 ²			1343 ³
		40136	781565C91	NAVISTAR (IHC)	1643 ¹	809-000	STEMCO	31175
749400	MECHNX/BARRIER	43754			1743 ²	8093412	GMC	31244
		43752	782400	MECHNX/BARRIER	43865			w/ OEM ring
750199C91	NAVISTAR (IHC)	43860	784323C91	NAVISTAR (IHC)	42800	80D6	REO	34384
755400	MECHNX/BARRIER	46300	785400	MECHNX/BARRIER	45093			34387
		46305			45099	810-000	STEMCO	31244
756400	MECHNX/BARRIER	46300	7866	NATL D AUTO SEAL	48794			w/ OEM ring
		46305	7866	TIMKENSEALS	48794	811-000	STEMCO	36365
758400	MECHNX/BARRIER	44964	787D6	REO	39380			w/ OEM ring
759400	MECHNX/BARRIER	48690			w/ OEM ring	814-000	STEMCO	40040
759704C91	NAVISTAR (IHC)	43860	788400	MECHNX/BARRIER	39425	815947	WHT-TRK	45157
760400	MECHNX/BARRIER	42550	788485C91	NAVISTAR (IHC)	38776			45160
		w/455024			38780	816-000	STEMCO	27438
760885C91	NAVISTAR (IHC)	38776	789400	MECHNX/BARRIER	42673			w/ OEM ring
		38780			42672	817-000	STEMCO	32470
761400	MECHNX/BARRIER	47692	79024	DUN BUS	1643 ¹	8175141	VOLVO/GMC/WHITE TRK	1311 ³
		47697			1743 ²			28820
761D6	REO	47692	790400	MECHNX/BARRIER	47699	818-000	STEMCO	28820
		47697	7930	TIMKENSEALS	40040	81DB1175B	FORD	39380
76208C	DIA T	39380	7930	NATL D AUTO SEAL	40040	81DB1175CA	FORD	38776
762400	MECHNX/BARRIER	42800	794408C91	NAVISTAR (IHC)	43761			38780
763205C91	NAVISTAR (IHC)	45157			43764	820-000	STEMCO	36365
		45160	795-000	STEMCO	43754			w/ OEM ring
763400	MECHNX/BARRIER	48002			43752	821-000	STEMCO	39979
		48000	797-000	STEMCO	46300			39988
763400EXCGMC	MECHNX/BARRIER	48002			46305			w/ OEM ring
		48000	798-000	STEMCO	40129	823-000	STEMCO	39979
763400W/GMC	MECHNX/BARRIER	47690			40136			w/ OEM ring
		47690	799-000	STEMCO	42627			39988
764774C91	NAVISTAR (IHC)	39380			42623	823D6	REO	38750
768400	MECHNX/BARRIER	48884	79Y7016R	NOK/FREUD	35058	825-000	STEMCO	35075
		w/455019			35066	827564	WHT-TRK	35058
								35066
						828-000	STEMCO	48794

INTERNET CHANGES

COMPETITOR & MANUFACTURER

SCOTSEAL® TO GREASE SEAL

GREASE SEAL TO SCOTSEAL®

BEARING TO SCOTSEAL®

INTERCHANGES

COMPETITOR & MANUFACTURER

SCOTSEAL® TO GREASE SEAL

GREASE SEAL TO SCOTSEAL®

BEARING TO SCOTSEAL®

Mfr. no.	Mfr.	Part no.	Mfr. no.	Mfr.	Part no.	Mfr. no.	Mfr.	Part no.
829-000	STEMCO	39380	85102506	VOLVO TRK NA	1612 ¹	856T	NOK/FREUD	•45093
		w/ OEM ring			1711 ²			45099
830-000	STEMCO	31244	85103455	VOLVO TRK NA	•35103	857	NOK/FREUD	•45095
		w/ OEM ring			35103			45103
83018	FWD	31244	85103822	VOLVO TRK NA	•34384	857824	WHT-TRK	47699
		w/ OEM ring			•35058	857T	NOK/FREUD	•45095
830948	WHT-TRK	31244	85103823	VOLVO TRK NA	35066			45103
		w/ OEM ring			•38776	858	NOK/FREUD	•45157
83102	FWD	•45157	85103824	VOLVO TRK NA	38780			45160
		45160			•40129	858345	WHT-TRK	•38776
83119	FWD	36285	85103825	VOLVO TRK NA	40136			38780
		w/ OEM ring			•42627	858352	WHT-TRK	36365
832-000	STEMCO	36285			42623	858353A	WHT-TRK	31244
		w/ OEM ring			•43754	858354	WHT-TRK	36285
833-000	STEMCO	35060	85103827	VOLVO TRK NA	43752	858355	WHT-TRK	•42627
		w/ OEM ring			•43761			42623
833918	WHT-TRK	31244	85103828	VOLVO TRK NA	43764	858356	WHT-TRK	46390
		w/ OEM ring			•46300	858358	WHT-TRK	•40129
833948	WHT-TRK	31244			46305			40136
		w/ OEM ring			•47692	858366	WHT-TRK	1627 ¹
834-000	STEMCO	36285	85104638	VOLVO TRK NA	47697			1727 ²
834262	WHT-TRK	31244			•29480	858370	WHT-TRK	1627 ¹
		w/ OEM ring			•23590			1727 ²
835-000	STEMCO	35060	85104639	VOLVO TRK NA	•45093	858375	WHT-TRK	•38776
		w/ OEM ring			45099			38780
836-000	STEMCO	•35058	85104741	VOLVO TRK NA	•42673	858379	WHT-TRK	1642 ¹
		35066			42672			1742 ²
837-000	STEMCO	•43761	85104742	VOLVO TRK NA	42800	858381	WHT-TRK	1612 ¹
		43764			•39979			1711 ²
837512	WHT-TRK	44964	85105435	VOLVO TRK NA	39988	858383	WHT-TRK	•35058
837705	WHT-TRK	39380	85105659	VOLVO TRK NA	•44916			35066
		w/ OEM ring			44922	858387	WHT-TRK	1665 ¹
839-000	STEMCO	•39979	85105660	VOLVO TRK NA	•45095			1765 ²
		39988			45103	858391	WHT-TRK	36365
		w/455031	85105661	VOLVO TRK NA	•45157	858397	WHT-TRK	31244
839495	WHT-TRK	•47692			45160	858408	WHT-TRK	•38776
		47697	85105662	VOLVO TRK NA	•48002			38780
839984	WHT-TRK	•35058			48000	858849	WHT-TRK	48794
		35066	85106402	VOLVO TRK NA	32470	858D6	REO	•38776
841125	WHT-TRK	•40129			1643 ¹			38780
		40136	85107184	VOLVO TRK NA	1743 ²	858T	NOK/FREUD	•45157
842048	WHT-TRK	•40091			•42627			45160
		40086	851T	NOK/FREUD	42623	859	NOK/FREUD	•46300
844-000	STEMCO	28832			•42673			46305
845-000	STEMCO	48796	852	NOK/FREUD	42672	859063	WHT-TRK	31244
846	R-STD	•43754			48884			w/ OEM ring
		43752	852722	WHT-TRK	w/455019	859064	WHT-TRK	•34384
846-000	STEMCO	•44916			•42673			34387
		44922	852T	NOK/FREUD	42672	859813	WHT-TRK	47699
84608	FITZG	42800			•43754	859814	WHT-TRK	47699
846D6	REO	38709	853	NOK/FREUD	43752	859922	WHT-TRK	43865
847	NOK/FREUD	•35058			•43761	859965	WHT-TRK	48884
		35066	8532	TIMKENSEALS	43764			w/455019
847T	NOK/FREUD	•35058			•43761	859966	WHT-TRK	38709
		35066			43764	859967	WHT-TRK	42800
848	NOK/FREUD	38750	853D6	REO	•34384	859969	WHT-TRK	43860
848T	NOK/FREUD	38750			34387	859970	WHT-TRK	28820
849	NOK/FREUD	•38776	853T	NOK/FREUD	•43754	859971	WHT-TRK	39380
		38780			43752	859972	WHT-TRK	39380
849T	NOK/FREUD	•38776	854	NOK/FREUD	43860	859973	WHT-TRK	39380
		38780	854091	WHT-TRK	36285	859975	WHT-TRK	31244
84Q1175A	FORD	•34384			w/ OEM ring	859976	WHT-TRK	36285
		34387	854T	NOK/FREUD	43860	859977	WHT-TRK	35060
850	NOK/FREUD	•40129			•44916	859978	WHT-TRK	35060
		40136	855	NOK/FREUD	44922	859979	WHT-TRK	35060
850T	NOK/FREUD	•40129			•44916	859980	WHT-TRK	35060
		40136	855T	NOK/FREUD	44922	859981	WHT-TRK	35060
851	NOK/FREUD	•42627			•45093	859982	WHT-TRK	35060
		42623	856	NOK/FREUD	45099			

For in-text symbols, see page 6.

Mfr. no.	Mfr.	Part no.	Mfr. no.	Mfr.	Part no.	Mfr. no.	Mfr.	Part no.
859985	WHT-TRK	•35058	88AX110	MACK	•39979	88AX59	MACK	•40129
		35066			39988			40136
859D6	REO	38750	88AX110P1	MACK	•39979	88AX65	MACK	50124
859T	NOK/FREUD	•46300			39988	88AX65	KENWTH	50124
		46305	88AX138	MACK	•39979	88AX70	KENWTH	36365
860	NOK/FREUD	•48002			39988		w/ OEM ring	
		48000	88AX153	MACK	•42673	88AX70	MACK	36365
860-000	STEMCO	43800			42672		w/ OEM ring	
	w/ OEM ring		88AX177	MACK	•45093	88AX72	MACK	48794
8601	CALDWELL	•40091			45099	88AX77	MACK	•40129
		40086	88AX20	MACK	•40129			40136
860T	NOK/FREUD	•48002			40136	88AX97	MACK	36365
		48000	88AX21	MACK	•45157		w/ OEM ring	
861	NOK/FREUD	•47692			45160	88AZ110P1	MACK	•39979
		47697	88AX234	MACK	•40129			39988
861-000	STEMCO	31281			40136	890520	WHT-TRK	35060
	w/ OEM ring		88AX240	MACK	43865	890608	WHT-TRK	42800
86112	TRAILMO	1642 ¹	88AX240P3	MACK	•47692	891002	WHT-TRK	1715 ²
		1742 ²			47697	891004	WHT-TRK	1670 ¹
86113	TRAILMO	1643 ¹	88AX270	MACK	50124			1770 ²
		1743 ²	88AX286	MACK	42800	891011	WHT-TRK	28820
8-6-126	TRAILMO	1343 ³	88AX287	MARLEY	•47692	891012	WHT-TRK	39380
8-6-129	TRAILMO	1343 ³			47697	891014	WHT-TRK	35060
861546	WHT-TRK	38750	88AX287	MACK	•47692	891015	WHT-TRK	•35058
861T	NOK/FREUD	•47692			47697			35066
		47697	88AX305	MACK	•39979	891017	WHT-TRK	38709
862-000W/39578BRGCONE	STEMCO	31281			39988	891020	WHT-TRK	43860
	w/ OEM ring				w/455031 or 40049	891033	WHT-TRK	•35058
862-000W/39585BRGCONE	STEMCO	31281	88AX325	MACK	43865			35066
	w/ OEM ring		88AX326	MACK	43865	891034	WHT-TRK	•35058
86208C	DIA T	42800	88AX328	MACK	31244			35066
862500	WHT-TRK	1643 ¹			w/ OEM ring	891035	WHT-TRK	•35058
		1743 ²	88AX372	MACK	•45093			35066
862502	WHT-TRK	•40129			45099	891042	WHT-TRK	43865
		40136	88AX373	MACK	•42673	892066	WHT-TRK	48794
8-6-297	TRAILMO	1343 ³			42672	892486	WHT-TRK	31244
863	NOK/FREUD	•43761	88AX374	MACK	48794	892487	WHT-TRK	•39979
		43764	88AX375	MACK	50124			39988
86-45	TRAILMO	1733 ²	88AX379	MACK	•40129	892488	WHT-TRK	38709
864643C91	NAVISTAR (IHC)	38747			40136	896941R91	NAVISTAR (IHC)	•43761
864784C91	NAVISTAR (IHC)	•38776	88AX380	MACK	43865			43764
		38780	88AX399	MACK	52658	8976	TIMKENSEALS	31175
867424	WHT-TRK	•43761	88AX402	MACK	52658	8976	NATL D AUTO SEAL	31175
		43764	88AX402	GRACO	52658	898235R92	NAVISTAR (IHC)	43860
8676	NATL D AUTO SEAL	32470	88AX405	DANA-SPICER	•42673	898235R93	NAVISTAR (IHC)	43860
8676	TIMKENSEALS	32470			42672	899496	WHT-TRK	31244
868860R92	NAVISTAR (IHC)	1612 ¹	88AX405	MACK	•42673	8EB1190	FORD	•35058
		1711 ²			42672			35066
869235	WHT-TRK	31307	88AX406	MACK	43865	9002532	WHT-TRK	43860
875187R92	NAVISTAR (IHC)	•38776	88AX407	MACK	•45093	9003242	BLUEBIRD	1612 ¹
		38780			45099			1711 ²
876235R91	NAVISTAR (IHC)	39380	88AX418	MACK	•42673	9004315	WHT-TRK	43865
	w/ OEM ring				42672	9004766	WHT-TRK	43875
880705	WHT-TRK	31244	88AX419	MACK	38709	901-000	STEMCO	48884
88319	EATON	•47692	88AX420	MACK	•47692		w/455019	
		47697			47697	902-000	STEMCO	•45093
88327	EATON	48884	88AX421	MACK	•45093			45099
8872	TIMKENSEALS	•43761			45099	904-000	STEMCO	•42673
		43764	88AX424	MACK	52658			42672
8872	NATL D AUTO SEAL	•43761	88AX425	MACK	•43754		w/455019	
		43764			43752	905-000	STEMCO	•45157
8873425	GMC	42800	88AX426	MACK	•43761			45160
8873428	GMC	1612 ¹			43764	90501011-1	TRAILMO	•42627
		1711 ²	88AX427	MACK	43860			42623
889568	WHT-TRK	47699	88AX432	MACK	•48002	9050101-14	TRAILMO	•46300
88AX100	MACK	31244			48000			46305
			88AX443	MACK	•48002			1642 ¹
					48000			1742 ²
			88AX461	SPICER	•47691			

INTERCHANGES

COMPETITOR & MANUFACTURER

SCOTSEAL® TO GREASE SEAL

GREASE SEAL TO SCOTSEAL®

BEARING TO SCOTSEAL®

INTERCHANGES

COMPETITOR & MANUFACTURER

SCOTSEAL® TO GREASE SEAL

GREASE SEAL TO SCOTSEAL®

BEARING TO SCOTSEAL®

Mfr. no.	Mfr.	Part no.	Mfr. no.	Mfr.	Part no.	Mfr. no.	Mfr.	Part no.
9050A101-9..GMC		•43754	925173R91..NAVISTAR (IHC)		48794	94001-0034..VOLVO TRK NA		•47692
		43752	926-000..STEMCO		43865			47697
9051S..NATL D AUTO SEAL		45152	927-000..STEMCO		47699	940010038..VOLVO		•43761
9051S..TIMKENSEALS		45152	928-000..STEMCO		•42673			43764
9053962..GMC		55172			42672	94001-3403..WEST ST		•35058
907-000..STEMCO		50124	929-000W(FOR1)..STEMCO		43875			35066
90RU213P2..MACK		43800	929-000W(FOR2)..STEMCO		•47692	94001-3407..WEST ST		•35058
		w/ OEM ring			47697			35066
910-000..STEMCO		38709	929-000W(FOR3)..STEMCO		45152	940013409..FRT-LNR		•46300
91021..HAY-DAN		27438	929067..BLUEBIRD		•47692			46305
91029..CHRYSR		31244			47697	94001-3409..WEST ST		•46300
		w/ OEM ring	930-000..STEMCO		45152			46305
91029..WHT-TRK		31244	93068..WHT-TRK		31244	94001-3604..WHT-TRK		•35058
		w/ OEM ring			w/ OEM ring			35066
91030..HAY-DAN		27438	93088..WHT-TRK		31244	940013606..WHT-TRK		48796
91030..REDNECK		27438			w/ OEM ring	944-000..STEMCO		43875
9103320..HAY-DAN		•46300	931-000..STEMCO		38747	945-000..STEMCO		42550
		46305	932-000..STEMCO		•40129			w/455024
91046619..BEDFORD		47690			40136	947-000..STEMCO		•42673
91112212701..SISU		534320	933-000..STEMCO		44964			42672
9112212103..SISU		•47692	93333..WHT-TRK		31244	948-000..STEMCO		52658
		47697			w/ OEM ring	95..NAVISTAR (IHC)		28820
912-000..STEMCO		•38776	93333..NAVISTAR (IHC)		32470	95082..MCCORD/JPI		42800
		38780			w/ OEM ring	95094..MCCORD/JPI		•45093
913-8428-4..CAN TIRE		•34384	934-000..STEMCO		48690			45099
914-000..STEMCO		42800	935-000..STEMCO		•34384	952-000EXCEATON42DAX..STEMCO		43860
915-000..STEMCO		38750			34387			w/ OEM ring
9170..NATL D AUTO SEAL		43875			w/ OEM ring	95357..EATON		•38776
9170..TIMKENSEALS		43875	936-000..STEMCO		•34994			38780
918-000..STEMCO		39380			35000	956-000EXCGMC&IHC..STEMCO		•38776
92100201410..FLEX		•40091	938-000..STEMCO		31307			38780
		40086			w/ OEM ring	956-000GMC..STEMCO		38750
92101-0003..WHT-TRK		1643 ¹	94001-0001..WEST ST		•43761	956-000IHC(SEECATL)..STEMCO		38747
		1743 ²			43764			38747
92101-0006..WHT-TRK		1612 ¹	94001-0001..WHT-TRK		•43761	957-000..STEMCO		39425
		1711 ²			43764	959-000EXCSOME EATON..STEMCO		•47692
92101-0007..WHT-TRK		1612 ¹	94001-0001..VOLVO TRK NA		•43761			47697
		1711 ²			43764	959-000WEATON18&38D..STEMCO		43875
92101-0008..WHT-TRK		1612 ¹	94001-0001..IMPERIAL		•43761	959-000WEATON19SER..STEMCO		45152
		1711 ²			43764			•48002
92101-0009..WHT-TRK		1643 ¹	94001-0003..WHT-TRK		48884	960-000..STEMCO		48000
		1743 ²	94001-0003..WEST ST		48884	961-000..STEMCO		42800
92101-0010..WHT-TRK		1643 ¹	94001-0006..WHT-TRK		•46300	962-000..STEMCO		48884
		1743 ²			46305			w/ OEM ring
92101-0011..WHT-TRK		1643 ¹	940010007..WHT-TRK		55177	964-000..STEMCO		•45157
		1743 ²	94001-0014..VOLVO/GMC/WHITE TRK		•35058			45160
921010020..VOLVO		1788 ²			35066	965-000EXCEATON42DAX..STEMCO		43860
92101-0022..WHT-TRK		1691 ¹	94001-0014..WHT-TRK		•35058	965-000WEATON42DAX..STEMCO		43860
		1790 ²			35066			w/ OEM ring
921010026..VOLVO		1753 ²	94001-0015..WHT-TRK		47699	968191R92..NAVISTAR (IHC)		1702 ¹
921010031..VOLVO		1643 ¹	94001-0015..VOLVO TRK NA		47699	970-9070..STEMCO		47699
		1743 ²	94001-0016..WHT-TRK		•46300	97-1535-163..FLEX		•43761
92101-0031..VOLVO/GMC/WHITE TRK		1643 ¹			46305			43764
		1743 ²	94001-0016..VOLVO TRK NA		•46300	971535164..FLEX		•47692
921010037..VOLVO/GMC/WHITE TRK		1643 ¹			46305			47697
		1743 ²	94001-0016..VOLVO TRK NA		•46300	972401R91..NAVISTAR (IHC)		•38776
922-000..STEMCO		•48002			38780			38780
		48000	94001-0017..WHT-TRK		•38776	97260007..HEIL		•42627
923-000..STEMCO		48884			38780			42623
		w/455019	94001-0029..WHT-TRK		•35058	97260013..HEIL		•46300
924-000..STEMCO		47699			35066			46305
925-000EXCEATON42DAX..STEMCO		43860	940010030..VOLVO		•47692			46305
		43860			47697			46305
925-000W/EATON42DAX..STEMCO		43860	94001-0032..VOLVO		•46300			46305
		43860			46305			46305
		w/ OEM ring	940010034..VOLVO/GMC/WHITE TRK		•47692			46305
925172R91..NAVISTAR (IHC)		48794			47697			46305

For in-text symbols, see page 6.

97260014-A1205P1108

Mfr. no.	Mfr.	Part no.	Mfr. no.	Mfr.	Part no.	Mfr. no.	Mfr.	Part no.
97260014	HEIL	•42627	983570R1	NAVISTAR (IHC)	•47692	A1205E369	R-STD	31244
		42623			47697		w/ OEM ring	
973934384	FORD	•34384	988-000	STEMCO	•45157	A1205F1043	R-STD	44964
973934386	FORD	•34384			45160	A1205F1072	R-STD	48884
973934387	FORD	•34384	989-000	STEMCO	52658	A1205F664	R-STD	•38776
		34387			•42673			38780
974526R91	NAVISTAR (IHC)	•47692	990-000	STEMCO	42672	A1205F838	R-STD	•43754
		47697			43865			43752
97520	MCCORD/JPI	43860	992-000	STEMCO	44916	A1205F890	R-STD	•43754
97545	MCCORD/JPI	47699			44922			43752
976605	DANA-SPICER	•47692	992483C91	NAVISTAR (IHC)	•44916	A1205F916	R-STD	•47692
		47697			44922			47697
976610	SPICER	1644 ¹	993802	ACF	39380	A1205G2191	ROCKWELL	•46300
		1743 ²	994-000	STEMCO	•45093			46305
976610	DANA-SPICER	1644 ¹			45099	A1205G2191	R-STD	•46300
		1743 ²	995-000	STEMCO	42800			46305
976611	DANA-SPICER	1696 ¹	996-000	EXCEATON42DAX	STEMCO	A1205G293	R-STD	31244
		1796 ²			43860		w/ OEM ring	
976611	SPICER	1696 ¹	996-000	W/EATON42DAX	STEMCO	A1205G631	R-STD	•35058
		1796 ²			43860			35066
976612	DANA-SPICER	1696 ¹		w/ OEM ring		A1205G735	R-STD	31307
		1796 ²	998-000	EXCEATONAX	STEMCO	A1205H1100	R-STD	48690
976612	SPICER	1696 ¹			•47692	A1205H1594	REO	•43761
		1796 ²			47697			43764
976706	SPICER	1644 ¹	998-000	W/EATON18&38D	STEMCO	A1205H1594	R-STD	•43761
		1743 ²			43875			43764
976706	DANA-SPICER	1644 ¹	998-000	W/EATON19SER	STEMCO	A1205H762	R-STD	48794
		1743 ²			45152	A1205J1206	R-STD	48794
976717	SPICER	1612 ¹	999RV1645	MACK	43865	A1205J2194	R-STD	•47692
		1711 ²	A0169978645	CHRYSR	•47693			47697
976717	DANA-SPICER	1612 ¹			47693	A1205J634	R-STD	42800
		1711 ²	A1-1205A1093	R-STD	47699	A-1205-J-634	ROCKWELL	42800
976767	DANA-SPICER	1612 ¹	A1-1805A1171	R-STD	44964	A1205J738	R-STD	•34384
		1711 ²	A1-1805Q1889	R-STD	•42627			34387
976767	SPICER	1612 ¹			42623	A1205K1285	R-STD	•47692
		1711 ²	A1-1805W725	R-STD	39380			47697
977123	DANA-SPICER	1612 ¹	A1199Y1296	R-STD	42800	A1205K2013	R-STD	•40091
		1711 ²	A1205A1093	R-STD	47699			40086
977123	SPICER	1612 ¹	A1205A1171	R-STD	44964	A-1205-K-2013	ROCKWELL	•40091
		1711 ²	A1205A833	R-STD	40139			40086
977124	SPICER	1612 ¹	A1205B1068	R-STD	42800	A1205K937	R-STD	•43754
		1711 ²	A1205B514	R-STD	39380			43752
977124	DANA-SPICER	1612 ¹	A1205B574	R-STD	39380	A1205K999	R-STD	•46300
		1711 ²	A1205C1017	R-STD	•40091			46305
977125	DANA-SPICER	1644 ¹			40086	A1205K999	ARVIN MERITOR	•46300
		1743 ²	A1205C1381	R-STD	28832			46305
977125	SPICER	1644 ¹	A1205C549	R-STD	48884	A1205L1338	R-STD	•35058
		1743 ²		w/455019				35066
977126	SPICER	1644 ¹	A1205C575	R-STD	39380	A1205L1546	ARVIN MERITOR	48690
		1743 ²	A1205C653	R-STD	43860	A1205L1546	R-STD	48690
977126	DANA-SPICER	1644 ¹	A1205D1018	R-STD	44964	A1205L324	R-STD	•40129
		1743 ²	A1205D1070	REO	•43761			40136
977127	DANA-SPICER	1696 ¹			43764	A1205M1261	R-STD	39380
		1796 ²	A1205D1070	R-STD	•43761	A1205M1339	R-STD	•43761
977127	SPICER	1696 ¹			43764			43764
		1796 ²	A1205D836	R-STD	•40129	A-1205-M-1339	ROCKWELL	•43761
977128	DANA-SPICER	1696 ¹			40136			43764
		1796 ²	A1205D888	R-STD	39380	A1205M1624	R-STD	45010
977128	SPICER	1696 ¹	A1205E1019	R-STD	•40091	A1205M1625	ARVIN MERITOR	45010
		1796 ²			40086	A1205M1625	R-STD	45010
9820	DANA-SPICER	•47692	A-1205-E-1019	ROCKWELL	•40091	A1205M897	R-STD	•40129
		47697			40086			40136
982259R91	NAVISTAR (IHC)	48884	A1205E1071	R-STD	•35058	A1205N898	R-STD	•43754
		w/455019			35066			43752
9826	VICTOR	•47692	A1205E1253	R-STD	39420	A1205P1005	R-STD	39380
		47697	A1205E1799	R-STD	•40129	A1205P1108	ARVIN MERITOR	•43761
9826	DANA-SPICER	•47692			40136			43764
		47697	A1205-E-2163	R-STD	•40091	A1205P1108	REO	•43761
983006R91	NAVISTAR (IHC)	42800			40086			43764

INTERCHANGES

COMPETITOR & MANUFACTURER

SCOTSEAL® TO GREASE SEAL

GREASE SEAL TO SCOTSEAL®

BEARING TO SCOTSEAL®

For in-text symbols, see page 6.

INTERCHANGES

COMPETITOR & MANUFACTURER

SCOTSEAL® TO GREASE SEAL

GREASE SEAL TO SCOTSEAL®

BEARING TO SCOTSEAL®

Mfr. no.	Mfr.	Part no.	Mfr. no.	Mfr.	Part no.	Mfr. no.	Mfr.	Part no.
A1205P1108	R-STD	•43761	A1205W1557	R-STD	•34384	A64013	TROSTEL	1642 ¹
		43764			34387			1742 ²
A-1205-P-1108	ROCKWELL	•43761	A1205W959	R-STD	•46300	A64019	TROSTEL	1627 ¹
		43764			46305	A64024	TROSTEL	1612 ¹
A1205P1212	R-STD	•46300	A1205Y1715	R-STD	28832			1711 ²
		46305	A1205Z1820	R-STD	55177	A64034	TROSTEL	1670 ¹
A1205P1888	R-STD	•42627	A1205Z324	R-STD	•40091			1770 ²
		42623			40086	A64036	TROSTEL	1702 ¹
A1205P406	R-STD	44964	A1205Z364	R-STD	•40091	A64042	TROSTEL	1665 ¹
A1205P574	R-STD	39380			40086			1765 ²
A1205P666	R-STD	48690	A1205Z780	REO	•43761	A64046	TROSTEL	1643 ¹
A1205Q1889	ARVIN MERITOR	•42627			43764			1743 ²
		42623	A1205Z780	R-STD	•43761	A64050	TROSTEL	1665 ¹
A1205Q1889	R-STD	•42627			43764			1765 ²
		42623	A1244C393	R-STD	48884	A64066	TROSTEL	1623 ¹
A1205Q2487	R-STD	•47692			w/455019			1723 ²
		47697	A1255T748	R-STD	39380	A64075	TROSTEL	1282 ⁴
A1205Q407	R-STD	•45093	A1-3262C133	R-STD	1643 ¹	A64080	TROSTEL	1698 ¹
		45099			1743 ²			1798 ²
A1205R1285	R-STD	•47692	A1-3262P276	R-STD	1612 ¹	A64092	TROSTEL	1787 ²
		47697			1711 ²	A64093	TROSTEL	1788 ²
A1205R1630	R-STD	47699	A1805A1	R-STD	31244	A64094	TROSTEL	1643 ¹
A1205R2410	ARVIN MERITOR	•47692	A1805E369	R-STD	31244			1743 ²
		47697			w/ OEM ring	A64095	TROSTEL	1643 ¹
A1205-R-2410	ROCKWELL	•47692	A1805F5B	R-STD	•34384			1743 ²
		47697			34387	A64098	TROSTEL	1691 ¹
A1205-R-2410	R-STD	•47692	A1805J244	R-STD	32470			1790 ²
		47697	A1805U723	R-STD	32470	A65000-W/A63009-J	TROSTEL	40040
A1205R642	R-STD	•40129	A205F1043	R-STD	44964	A65000-W/A63093-J	TROSTEL	
		40136	A29472	HENDKSN	•46300			•44916
A1205S1631	R-STD	46396			46305			44922
A1205S669	R-STD	28820	A29667	HENDKSN	•42627	A65001	TROSTEL	35075
A1205-S-669	ROCKWELL	28820			42623	A65001-W/A63010-J	TROSTEL	35075
A1205S699	R-STD	28820	A3-1205V542	R-STD	•47692			w/ OEM ring
A1205S747	R-STD	•38776			47697	A65001-W/A63036-J	TROSTEL	35075
		38780	A3-1205W543	R-STD	42800			w/ OEM ring
A1205T1502	R-STD	31307	A3262C133	R-STD	1643 ¹	A65003	TROSTEL	•46300
A1205T666	R-STD	48690			1743 ²			46305
A1205T670	R-STD	44964	A3262G215	R-STD	1612 ¹	A65003-W/A63048-J	TROSTEL	
A1205T722	R-STD	•34384			1711 ²			•46300
		34387	A3262J166	R-STD	1698 ¹			46305
A1205T724	R-STD	55177			1798 ²	A65005	TROSTEL	31175
A1205U1061	R-STD	•47692	A3262M169	R-STD	1642 ¹	A65005-W/A63052-J	TROSTEL	31175
		47697			1742 ²	A65018	TROSTEL	31307
A1205U2194	R-STD	•47692	A3262N222	R-STD	1787 ²	A65027	TROSTEL	42550
		47697	A3262P276	R-STD	1612 ¹	A65029	TROSTEL	•42673
A1205U2205	R-STD	•42627			1711 ²			42672
		42623	A3262P302	R-STD	1698 ¹	A65044	TROSTEL	50124
A1205U2491	R-STD	•35058			1798 ²	A65044-W/A63007-J	TROSTEL	50124
		35066	A3262Y181	R-STD	1643 ¹	A65044-W/A63018-J	TROSTEL	39425
A1205U2491	ARVIN MERITOR	•35058			1743 ²	A65052W/63091	TROSTEL	•38776
		35066	A34009	TROSTEL	1643 ¹			38780
A1205U697	R-STD	47699			1743 ²			Exc. GMC & IHC
A1205V1192	ROCKWELL	•40091	A39504K	TROSTEL	35075	A65052W/63091GMC	TROSTEL	38750
		40086	A3A0564001	FRUHAUF	42625	A65052W/63091IHC	TROSTEL	38747
A1205V1192	R-STD	•40091	A45767K	TROSTEL	43860	A65052-W/A63091-J	TROSTEL	•38776
		40086	A45801K	TROSTEL	47699			38780
A1205V1660	R-STD	48796	A46509S	TROSTEL	42800	A65054	TROSTEL	39425
A1205V2102	R-STD	28832	A46549	TROSTEL	•45093	A65054-W/A63018-J	TROSTEL	39425
A1205V2180	R-STD	•47692			45099	A65055	TROSTEL	28832
		47697	A46848	TROSTEL	47699	A65055-W/A63008-J	TROSTEL	28832
A1205-V-2492	R-STD	•47692	A5257	TOWMTR	31307	A65056W/A67090	JRING	TROSTEL
		47697	A545634	FRUHAUF	•40129			•47692
A1205V542	R-STD	48884			40136			47697
		w/455019	A548796	FRUHAUF	46390	A65056W/A67094J	TROSTEL	•47692
A1205W1349	R-STD	•38776	A549797	FRUHAUF	46390			47697
		38780	A565634	FRUHAUF	•40129	A65060	TROSTEL	•46300
A1205W1375	R-STD	•35058			40136			46305
		35066	A64002	TROSTEL	1627 ¹			

For in-text symbols, see page 6.

A65060W-A69699K

Mfr. no.	Mfr.	Part no.	Mfr. no.	Mfr.	Part no.	Mfr. no.	Mfr.	Part no.
A65060W	TROSTEL	•46300	A65278-W/A63007-J	TROSTEL	•38776	A69525K	TROSTEL	•40129
		46305			38780			40136
A65065	TROSTEL	•48002	A65279-W/A63017-J	TROSTEL	32470		w/ OEM ring	
		48000	A65280-W/A63008-J	TROSTEL	28820	A69535K	TROSTEL	•46300
A65065W	TROSTEL	•48002	A65281-W/A63052-J	TROSTEL	31175			46305
		48000	A65282-W/A63020-J	TROSTEL	36365	A69536K	TROSTEL	•43754
A65068	TROSTEL	•43754			w/ OEM ring			43752
		43752	A65283-W/A63079-J	TROSTEL	47699	A69593K	TROSTEL	•40129
A65069-W/A67036-J	TROSTEL		A65283-W/A63087-J	TROSTEL	45152			40136
		•35058	A65284-W/A63026-J	TROSTEL	43860		w/ OEM ring	
		35066	A65284W63026	TROSTEL	43860	A69594K	TROSTEL	46390
A65070	TROSTEL	•48002			Exc. Eaton 42D		w/450208	
		48000	A65285-W/A63026-J	TROSTEL	43865	A69596K	TROSTEL	•42627
A65072	TROSTEL	•45157	A65287-W/A63028-J	TROSTEL	48794			42623
		45160	A65288-W/A63036-J	TROSTEL	35075	A69597K	TROSTEL	•40129
A65072W	TROSTEL	•45157	A65289-W/A63033-J	TROSTEL	36285			40136
		45160			w/ OEM ring	A69598K	TROSTEL	•46300
A65072-W/A63093-J	TROSTEL	•45157	A65289-W/A63036-J	TROSTEL	35075			46305
		45160			w/ OEM ring	A69599K	TROSTEL	•43754
A65073	TRISEAL	35075	A65289-W/A67036-J	TROSTEL	35075			43752
A65073W/67036	TROSTEL	35075			w/ OEM ring	A69603K	TROSTEL	31175
A65073-W/A67036-J	TROSTEL	35075	A65290-W/A63037-J	TROSTEL	•43761	A69604K	TROSTEL	31244
A65260-W/A63013-J	TROSTEL	•40129			43764		w/ OEM ring	
		40136	A65291-W/A63034-J	TROSTEL	36285	A69605K	TROSTEL	36365
A65261-W/A63013-J	TROSTEL	40139	A65292-W/A63035-J	TROSTEL	35060	A69608K	TROSTEL	40040
A65261-W/A63027-J	TROSTEL	•40129			w/ OEM ring	A69609K	TROSTEL	•44916
		40136	A65293-W/A63050-J	TROSTEL	31244			44922
		w/ OEM ring			w/ OEM ring	A69611K	TROSTEL	32470
A65261-W/A63053-J	TROSTEL	•40129	A65294-W/A63011-J	TROSTEL	•39979	A69612K	TROSTEL	28820
		40136			39988	A69614K	TROSTEL	36365
		w/ OEM ring			w/ OEM ring			w/ OEM ring
A65261-W/A63057-J	TROSTEL	•40129	A65294-W/A63038-J	TROSTEL		A69616K	TROSTEL	•39979
		40136			•39979			39988
		w/ OEM ring			39988			w/ OEM ring
A65262-W/A63022-J	TROSTEL	46390			w/455031	A69617K	TROSTEL	35075
		w/450208	A65296-W/A63030-J	TROSTEL	31244	A69619K	TROSTEL	48794
A65262-W/A63023-J	TROSTEL				w/ OEM ring	A69620K	TROSTEL	39380
		•42627	A65298-W/A63037-J	TROSTEL	•43754			w/ OEM ring
		42623			43752	A69621K	TROSTEL	31244
		w/450208	A65299-W/A63028-J	TROSTEL	48796			w/ OEM ring
A65262-W/A63041-J	TROSTEL	43800	A65299-W/A63043-J	TROSTEL	45162	A69622K	TROSTEL	36285
		w/ OEM ring	A65299-W/A63044-J	TROSTEL	45162			w/ OEM ring
A65263-W/A63036-J	TROSTEL				w/ OEM ring	A69623K	TROSTEL	35060
		•35058	A6864D60	NATL D AUTO SEAL	38750			w/ OEM ring
		35066	A6864D60	TIMKENSEALS	38750	A69624K	TROSTEL	36285
A65265-W/A63036-J	TROSTEL	35075	A69501K	TROSTEL	•40129	A69625K	TROSTEL	35060
A65267-W/A63018-J	TROSTEL	39380			40136			w/ OEM ring
A65267-W/A63029-J	TROSTEL	39380			w/ OEM ring	A69626K	TROSTEL	•35058
		w/ OEM ring	A69503K	TROSTEL	35075			35066
A65267-W/A63059-J	TROSTEL				w/ OEM ring	A69627K	TROSTEL	•43761
		•40091	A69505K	TROSTEL	•46300			43764
		40086			46305	A69628K	TROSTEL	•39979
		w/ OEM ring	A69507K	TROSTEL	35075			39988
A65268-W/A63085-J	TROSTEL	43875	A69508K	TROSTEL	35075			w/455031
A65269-W/A63095-J	TROSTEL	48884	A69509K	TROSTEL	•43754	A69629K	TROSTEL	43800
		w/455019			43752			w/ OEM ring
A65270-W/A63093-J	TROSTEL		A69510K	TROSTEL	•40129	A69639K	TROSTEL	28832
		•45093			40136	A69640K	TROSTEL	48796
		45099	A69511K	TROSTEL	•40129	A69689K	TROSTEL	36365
A65271-W/A63023-J	TROSTEL	42624			40136			w/ OEM ring
A65272-W/A63093-J	TROSTEL	•45157	A69512K	TROSTEL	45162	A69690K	TROSTEL	48794
		45160	A69514K	TROSTEL	45162	A69695K	TROSTEL	28832
A65273-W/A63018-J	TROSTEL	39425			w/ OEM ring	A69696K	TROSTEL	•45095
A65274-W/A63079-J	TROSTEL		A69515K	TROSTEL	39380			45103
		•48002	A69519K	TROSTEL	46390	A69697K	TROSTEL	•43761
		48000			w/450208			43764
A65275-W/A63012-J	TROSTEL	38709	A69520K	TROSTEL	•42627	A69698K	TROSTEL	43800
A65276-W/A63008-J	TROSTEL	28832			42623	A69699K	TROSTEL	•35058
A65277-W/A63014-J	TROSTEL	42800	A69521K	TROSTEL	42624			35066

INTERNET CHANGES

COMPETITOR & MANUFACTURER

SCOTSEAL® TO GREASE SEAL

GREASE SEAL TO SCOTSEAL®

BEARING TO SCOTSEAL®

INTERCHANGES

COMPETITOR & MANUFACTURER

SCOTSEAL® TO GREASE SEAL

GREASE SEAL TO SCOTSEAL®

BEARING TO SCOTSEAL®

Mfr. no.	Mfr.	Part no.	Mfr. no.	Mfr.	Part no.	Mfr. no.	Mfr.	Part no.
A69701K	TROSTEL	48884	A-CA5207-1	FRUHAUF	42627	AXL0118	WALKER	42627
		w/455019			42623			42623
A69702K	TROSTEL	45093	ACE5517-2	FRUHAUF	42627	AXL0130	WALKER	46300
		45099			42623			46305
A69703K	TROSTEL	45157	ACE-SS17-2	FRUHAUF	42627	B166564	HEIL	40129
		45160			42623			40136
A69705K	TROSTEL	38709	ACF-65621	FRUHAUF	42627	B166564	STERLING	40129
		42800			42623			40136
A69711K	TROSTEL	39380	ACF-82951	FRUHAUF	46300	B2155BJ	TIMKENSEALS	39425
		48002			46305	B2155BJ	NATL D AUTO SEAL	39425
A69714K	TROSTEL	48000	AE75709-1	HENDKSN	48794	B23377	WHT-TRK	35060
		48000			35058		w/ OEM ring	
A69716K	TROSTEL	47699			35066	B370003BG	NATL D AUTO SEAL	
A69717	TROSTEL	43860	AE75709-11	HENDKSN	43761			47692
A69717K	TROSTEL	43860			43764			47697
A69722K	TROSTEL	45152	AE75709-2	HENDKSN	35058	B370003BG3	NATL D AUTO SEAL	
A69724K	TROSTEL	40129			35066			47692
		40136	AE75709-5	HENDKSN	42800			47697
A69725K	TROSTEL	34384	AE75709-6	HENDKSN	38776	B370005BG	TIMKENSEALS	48002
		34387			38780			48000
A69730K	TROSTEL	31307	AE75709-7	HENDKSN	43860	B370005BG	NATL D AUTO SEAL	
A69743K	TROSTEL	42550	AE75709-8	HENDKSN	45157			48002
A69749K	TROSTEL	43860			45160			48000
		w/ OEM ring	AE75709-9	HENDKSN	48794	B370009BG	NATL D AUTO SEAL	
A69750K	TROSTEL	50124	AE75710-1	HENDKSN	1691 ¹			39420
A69754K	TROSTEL	38776			1790 ²	B370009BG	TIMKENSEALS	39420
		38780	AE75710-10	HENDKSN	1787 ²	B370011BGR	NATL D AUTO SEAL	
A69754K-GMC	TROSTEL	38750			1643 ¹			36365
A69754K-IHC	TROSTEL	38747	AE75710-2	HENDKSN	1743 ²	B370011BGR	TIMKENSEALS	36365
A69755K	TROSTEL	39425			1787 ²	B370012BGO	NATL D AUTO SEAL	
A69756K	TROSTEL	47692	AE75710-4	HENDKSN	1691 ¹			36285
		47697	AE75710-7	HENDKSN	1790 ²	B370012BGO	TIMKENSEALS	36285
A69757K	TROSTEL	48002			1643 ¹	B370014BG	NATL D AUTO SEAL	
		48000	AE75710-8	HENDKSN	1743 ²			31281
A69758K	TROSTEL	42800			40129	B370014BG	TIMKENSEALS	31281
A69781K	TROSTEL	52658	AFD2380-1	FRUHAUF	40136	B370020BG	TIMKENSEALS	43800
A69782K	TROSTEL	48884			50124	B370020BG	NATL D AUTO SEAL	
A69783K	TROSTEL	48884	AG707434	AGCO	46300			43800
		w/455019	AL09-2246FCR	MOT IND	46305	B370021BG2	NATL D AUTO SEAL	
A69784K	TROSTEL	48884			1696 ¹			45157
		w/455019	AND82702	FRUHAUF	1796 ²			45160
A69785K	TROSTEL	34384			1696 ¹	B370021BG2	TIMKENSEALS	45157
		34387	AND93801	FRUHAUF	1796 ²			45160
		w/ OEM ring			1696 ¹	B370022BG	NATL D AUTO SEAL	
A69786K	TROSTEL	34994	AND9380-3	FRT-LNR	1796 ²			45093
		35000			42627			45099
A69787K	TROSTEL	39425	AND93812	FRUHAUF	42623	B370022BG	TIMKENSEALS	45093
A69789K	TROSTEL	47699			42627			45099
A69791K	TROSTEL	45157	AOS-9100	PAI	42623	B370025BGR	TIMKENSEALS	46300
		45160			39979			46305
A69793K	TROSTEL	45093	AOS9151	PAI	39988	B370025BGR	NATL D AUTO SEAL	
		45099			43761			46300
A69795K	TROSTEL	42800	AOS-9152	PAI	43764			46305
A69797K	TROSTEL	43860			43754	B370036BG	TIMKENSEALS	40129
A69798K	TROSTEL	48002	AOS9155	PAI	43752			40136
		48000			1696 ¹	B370036BG	NATL D AUTO SEAL	
A69799K	TROSTEL	47692	AQA25011	FRUHAUF	1796 ²			40129
		47697			1696 ¹			40136
A9400002001	AUTOCAR	35058	AQA25011	FRT-LNR	1796 ²	B370043BGR	NATL D AUTO SEAL	
		35066			40129			55172
A9400003001	AUTOCAR	43761	AUA1803	FRUHAUF	40136	B370043BGR	TIMKENSEALS	55172
		43764			42627	B370047BG	TIMKENSEALS	34384
A9410001001	AUTOCAR	55177	AXA0043	FRT-LNR	42623			34387
A9410003001	AUTOCAR	47692			42623	B370047BG	NATL D AUTO SEAL	
		47697	AXA0043	FRUHAUF	42623			34384
AB41201	PINES	42627			42625			34387
		42623	AXA0043-X	FRUHAUF	42627	B370048BG	TIMKENSEALS	43761
AB51401	PINES	1282 ⁴			42623			43764
A-CA5207	FRUHAUF	42627			42623			
		42623						

For in-text symbols, see page 6.

B370048BG-CHR 1362

Mfr. no.	Mfr.	Part no.	Mfr. no.	Mfr.	Part no.	Mfr. no.	Mfr.	Part no.
B370048BG	NATL D AUTO SEAL		BOS-7262	PAI	•46300	C8HZ1175A	FORD	43860
		•43761			46305		w/ OEM ring	
		43764	BOS7560	PAI	50124	C8HZ1175B	FORD	•45157
B370066BG	NATL D AUTO SEAL		BOS7610	PAI	•42673			45160
		•40091			42672	C8TA1173E	FORD	39380
		40086	BOS-7611	PAI	•42673	C8TA1175C	FORD	•34384
B370066BG	TIMKENSEALS	•40091			42672			34387
		40086	BOS-7615	PAI	43860	C8TA1175D	FORD	•34384
B370106BG	NATL D AUTO SEAL		BOS7780	PAI	•42673			34387
		42550			42672	C8TA1175E	FORD	39380
B370106BG	TIMKENSEALS	42550	C2TA3800-7C	FORD	48794	C8TA1175F	FORD	39380
B370120BG	NATL D AUTO SEAL		C2TA4A052A	FORD	•45157	C8TA1175G	FORD	•38776
		55177			45160			38780
B370120BG	TIMKENSEALS	55177	C2TS3800-7A	FORD	48794	C8TZ1175A	FORD	31307
B370121BG	NATL D AUTO SEAL		C2TS4A052A	FORD	•38776	C8TZ1175B	FORD	•34384
		48884			38780			34387
B370121BG	TIMKENSEALS	48884	C2TS4A052B	FORD	39380	C8TZ1175C	FORD	39380
B370124BG	TIMKENSEALS	•44916	C3TA1175F	FORD	39425	C8TZ1175D	FORD	•38776
		44922	C3TA1175FA	FORD	39420			38780
B370124BG	NATL D AUTO SEAL		C3TS3800-7A	FORD	39380	C9HA1173A	FORD	43860
		•44916	C3TS3800-7B	FORD	39380		w/ OEM ring	
		44922	C3TS3800-7C	FORD	•35058	C9HA1173B	FORD	•45157
B370131BG	NATL D AUTO SEAL				35066			45160
		•45095	C3TS3800-7D	FORD	•35058	C9HA1175A	FORD	43860
		45103			35066		w/ OEM ring	
B370131BG	TIMKENSEALS	•45095	C3TS3800-7E	FORD	48794	C9HA1175B	FORD	43860
		45103	C3TS4A052A	FORD	43860		w/ OEM ring	
B370150BG	NATL D AUTO SEAL		C3TS4A052E	FORD	•40129	C9HA1175C	FORD	•45157
		•28759			40136			45160
		28758	C3TZ1190C	FORD	28820	C9HA1175D	FORD	•45157
B370150BG	TIMKENSEALS	•28759	C3TZ1190S	FORD	28820			45160
		28758	C4TA1190A	FORD	48794	C9HA1190A	FORD	28832
B370211VGO	NATL D AUTO SEAL		C4TS3800-7B	FORD	•35058	C9HA1190B	FORD	48796
		•29480			35066	C9HS1131A	FORD	1787 ²
B370211VGO	TIMKENSEALS	•29480	C5TA1190B	FORD	•43761	C9HS1131B	FORD	1691 ¹
B370352BG	TIMKENSEALS	27438			43764			1790 ²
B370352BG	NATL D AUTO SEAL		C5TS3800-7B	FORD	28820	C9HS1131C	FORD	1788 ²
		27438	C5TS3800-7C	FORD	28820	C9HS1190A	FORD	48794
B4Q1175A	FORD	•34384	C5TS3800-7D	FORD	48794	C9HS1190F	FORD	•35058
		34387	C5TZ1190B	FORD	•43761			35066
B5QH1190A	FORD	•35058			43764	C9HS4A052A2	FORD	43860
		35066	C6TS3B007A	FORD	•35058	C9HS4A052B2	FORD	39380
B6J1175A	FORD	31307			35066	C9HZ1175A	FORD	43860
B6Q1175A	FORD	•34384	C6TS3B007E	FORD	•35058	C9HZ1175B	FORD	•45157
		34387			35066			45160
B7785	WHT-TRK	35060	C6TS4A052B	FORD	47699	C9HZ1175E	FORD	31307
	w/ OEM ring		C6TS4A052D	FORD	•34384	C9HZ1175F	FORD	31307
B8QH1175A	FORD	•45157			34387	C9TA1173B	FORD	•34384
		45160	C6TS4A052F	FORD	•45157			34387
B8QH1175B	FORD	48884			45160	C9TA1173F	FORD	39380
B8QH1190A	FORD	39380	C7TS3800-7A	FORD	•35058	C9TA1175G	FORD	•34384
BB1175C	FORD	31307			35066			34387
BB26249	DIA T	31244	C7TS3B007B	FORD	48794	C9TA1175H	FORD	•34384
	w/ OEM ring		C7TS4A052A	FORD	48884			34387
BBJ1175C	FORD	31307	C8HA1173A	FORD	43860	C9TA1175J	FORD	39380
BOS6970	PAI	52658	C8HA1173B	FORD	43860	C9TA1175K	FORD	39380
BOS-6971	PAI	52658	C8HA1173C	FORD	•45157	C9TA1175L	FORD	•38776
BOS6980	PAI	•42673			45160			38780
		42672	C8HA1173D	FORD	•45157	C9TA1175M	FORD	•38776
BOS-6981	PAI	•48002			45160			38780
		48000	C8HA1175A	FORD	43860	C9TA1175N	FORD	39425
BOS6991	PAI	•47692	C8HA1175B	FORD	43860	C9TA1175R	FORD	39425
		47697	C8HA1175C	FORD	•45157	CHR 1282	FRT-LNR	1282 ⁴
BOS6993	PAI	•47692			45160	CHR 1300	FRT-LNR	1300 ³
		47697	C8HA1175D	FORD	•45157	CHR 1310	FRT-LNR	1310 ³
BOS7260	PAI	•45093			45160	CHR 1311	FRT-LNR	1311 ³
		45099	C8HS4A052D	FORD	31307	CHR 1331	FRT-LNR	1331 ³
BOS7261	PAI	•45093	C8HS4A052H	FORD	42800	CHR 1343	FRT-LNR	1343 ³
		45099				CHR 1362	FRT-LNR	1362 ³

INTERNET CHANGES

COMPETITOR & MANUFACTURER

SCOTSEAL® TO GREASE SEAL

GREASE SEAL TO SCOTSEAL®

BEARING TO SCOTSEAL®

For in-text symbols, see page 6.

Mfr. no.	Mfr.	Part no.	Mfr. no.	Mfr.	Part no.	Mfr. no.	Mfr.	Part no.
CHR 1396..	FRT-LNR.....	1396 ³	CHR 31175..	FRT-LNR.....	31175	CHR 42671..	FRT-LNR.....	•42673
CHR 1399..	FRT-LNR.....	1399 ³	CHR 31244..	FRT-LNR.....	31244	42672
CHR 1600..	FRT-LNR.....	1600 ¹	CHR 31281..	FRT-LNR.....	31281	CHR 42672..	FRT-LNR.....	•42673
CHR 1601..	FRT-LNR.....	1601 ¹	CHR 31307..	FRT-LNR.....	31307	42672
CHR 1608..	FRT-LNR.....	1608 ¹	CHR 32470..	FRT-LNR.....	32470	CHR 42673..	FRT-LNR.....	•42673
CHR 1612..	FRT-LNR.....	1612 ¹	CHR 34384..	FRT-LNR.....	•34384	42672
.....	1711 ²	CHR 34386..	FRT-LNR.....	•34384	CHR 42800..	FRT-LNR.....	42800
CHR 1613..	FRT-LNR.....	1613 ¹	CHR 34387..	FRT-LNR.....	•34384	CHR 43752..	FRT-LNR.....	•43754
.....	1703 ²	34387	43752
CHR 1623..	FRT-LNR.....	1623 ¹	CHR 34971..	FRT-LNR.....	•34971	CHR 43754..	FRT-LNR.....	•43754
.....	1723 ²	CHR 34972..	FRT-LNR.....	•34971	43752
CHR 1627..	FRT-LNR.....	1627 ¹	CHR 34975..	FRT-LNR.....	•34971	CHR 43761..	FRT-LNR.....	•43761
CHR 1630..	FRT-LNR.....	1630 ¹	34975	43764
CHR 1640..	FRT-LNR.....	1640 ¹	CHR 34994..	FRT-LNR.....	•34994	CHR 43763..	FRT-LNR.....	•43761
CHR 1642..	FRT-LNR.....	1642 ¹	CHR 34999..	FRT-LNR.....	•34994	43764
.....	1742 ²	CHR 35000..	FRT-LNR.....	•34994	CHR 43764..	FRT-LNR.....	•43761
CHR 1643..	FRT-LNR.....	1643 ¹	35000	43764
.....	1743 ²	CHR 35058..	FRT-LNR.....	•35058	CHR 43800..	FRT-LNR.....	43800
CHR 1644..	FRT-LNR.....	1644 ¹	35066	CHR 43860..	FRT-LNR.....	43860
.....	1743 ²	CHR 35059..	FRT-LNR.....	•35058	CHR 43865..	FRT-LNR.....	43865
CHR 1665..	FRT-LNR.....	1665 ¹	35066	CHR 43875..	FRT-LNR.....	43875
.....	1765 ²	CHR 35060..	FRT-LNR.....	35060	CHR 44916..	FRT-LNR.....	•44916
CHR 1669..	FRT-LNR.....	1669 ¹	CHR 35066..	FRT-LNR.....	•35058	44922
CHR 1670..	FRT-LNR.....	1670 ¹	35066	CHR 44919..	FRT-LNR.....	•44916
.....	1770 ²	CHR 35072..	FRT-LNR.....	35072	44922
CHR 1681..	FRT-LNR.....	1681 ¹	CHR 35075..	FRT-LNR.....	35075	CHR 44922..	FRT-LNR.....	•44916
CHR 1691..	FRT-LNR.....	1691 ¹	CHR 35103..	FRT-LNR.....	•35103	44922
.....	1790 ²	35103	CHR 44964..	FRT-LNR.....	44964
CHR 1694..	FRT-LNR.....	1694 ¹	CHR 36285..	FRT-LNR.....	36285	CHR 45010..	FRT-LNR.....	45010
CHR 1696..	FRT-LNR.....	1696 ¹	CHR 36358..	FRT-LNR.....	36358	CHR 45093..	FRT-LNR.....	•45093
.....	1796 ²	CHR 36365..	FRT-LNR.....	36365	45099
CHR 1698..	FRT-LNR.....	1698 ¹	CHR 38709..	FRT-LNR.....	38709	CHR 45095..	FRT-LNR.....	•45095
.....	1798 ²	CHR 38736..	FRT-LNR.....	38736	45103
CHR 1702..	FRT-LNR.....	1702 ¹	CHR 38747..	FRT-LNR.....	38747	CHR 45097..	FRT-LNR.....	•45093
CHR 1703..	FRT-LNR.....	1613 ¹	CHR 38750..	FRT-LNR.....	38750	45099
.....	1703 ²	CHR 38776..	FRT-LNR.....	•38776	CHR 45099..	FRT-LNR.....	•45093
CHR 1711..	FRT-LNR.....	1612 ¹	38780	45099
.....	1711 ²	CHR 38779..	FRT-LNR.....	•38776	CHR 45102..	FRT-LNR.....	•45095
CHR 1715..	FRT-LNR.....	1715 ²	38780	45103
CHR 1723..	FRT-LNR.....	1623 ¹	CHR 38780..	FRT-LNR.....	•38776	CHR 45103..	FRT-LNR.....	•45095
.....	1723 ²	38780	45103
CHR 1727..	FRT-LNR.....	1627 ¹	CHR 39380..	FRT-LNR.....	39380	CHR 45152..	FRT-LNR.....	45152
.....	1727 ²	CHR 39420..	FRT-LNR.....	39420	CHR 45157..	FRT-LNR.....	•45157
CHR 1733..	FRT-LNR.....	1733 ²	CHR 39425..	FRT-LNR.....	39425	45160
CHR 1742..	FRT-LNR.....	1642 ¹	CHR 39977..	FRT-LNR.....	•39979	CHR 45160..	FRT-LNR.....	•45157
.....	1742 ²	39988	45160
CHR 1743..	FRT-LNR.....	1643 ¹	CHR 39988..	FRT-LNR.....	•39979	CHR 45162..	FRT-LNR.....	45162
.....	1743 ²	39988	CHR 46300..	FRT-LNR.....	•46300
CHR 1744..	FRT-LNR.....	1744 ²	CHR 40040..	FRT-LNR.....	40040	46305
CHR 1753..	FRT-LNR.....	1753 ²	CHR 40086..	FRT-LNR.....	•40091	CHR 46304..	FRT-LNR.....	•46300
CHR 1754..	FRT-LNR.....	1754 ²	40086	46305
CHR 1765..	FRT-LNR.....	1665 ¹	CHR 40129..	FRT-LNR.....	•40129	CHR 46305..	FRT-LNR.....	•46300
.....	1765 ²	40136	46305
CHR 1770..	FRT-LNR.....	1670 ¹	CHR 40133..	FRT-LNR.....	•40129	CHR 46308..	FRT-LNR.....	•46308
.....	1770 ²	40136	46308
CHR 1787..	FRT-LNR.....	1787 ²	CHR 40136..	FRT-LNR.....	•40129	CHR 46390..	FRT-LNR.....	46390
CHR 1788..	FRT-LNR.....	1788 ²	40136	CHR 46396..	FRT-LNR.....	46396
CHR 1790..	FRT-LNR.....	1691 ¹	CHR 40139..	FRT-LNR.....	40139	CHR 47483..	FRT-LNR.....	47483
.....	1790 ²	CHR 42550..	FRT-LNR.....	42550	CHR 47690..	FRT-LNR.....	47690
CHR 1796..	FRT-LNR.....	1696 ¹	CHR 42622..	FRT-LNR.....	•42627	CHR 47691..	FRT-LNR.....	•47691
.....	1796 ²	42623	CHR 47692..	FRT-LNR.....	•47692
CHR 1798..	FRT-LNR.....	1698 ¹	CHR 42623..	FRT-LNR.....	•42627	47697
.....	1798 ²	42623	CHR 47693..	FRT-LNR.....	•47693
CHR 1799..	FRT-LNR.....	1799 ²	CHR 42624..	FRT-LNR.....	42624	47693
CHR 27438..	FRT-LNR.....	27438	CHR 42625..	FRT-LNR.....	42625	CHR 47694..	FRT-LNR.....	•47691
CHR 28758..	FRT-LNR.....	•28759	CHR 42627..	FRT-LNR.....	•42627	CHR 47695..	FRT-LNR.....	•47691
.....	28758	42623	CHR 47697..	FRT-LNR.....	•47692
CHR 28820..	FRT-LNR.....	28820	CHR 42631..	FRT-LNR.....	•42631	47697
CHR 28832..	FRT-LNR.....	28832	42631	CHR 47698..	FRT-LNR.....	47698

For in-text symbols, see page 6.

CHR47699-D7HA1175A

Mfr. no.	Mfr.	Part no.	Mfr. no.	Mfr.	Part no.	Mfr. no.	Mfr.	Part no.
CHR 47699	FRT-LNR	47699	D0HA1190M	FORD	•43761	D2HS1175BA	FORD	43860
CHR 48000	FRT-LNR	•48002			43764	D2HS1190AA	FORD	•43761
		48000	D0HA1190N	FORD	28820			43764
CHR 48001	FRT-LNR	•48002	D0HA1190R	FORD	•35058	D3BA1175AA	FORD	43860
		48000			35066	D3HA1175A	FORD	•45157
CHR 48002	FRT-LNR	•48002	D0HA1190S	FORD	28832			45160
		48000	D0HA1190T	FORD	48794	D3HA1175AA	FORD	•38776
CHR 48690	FRT-LNR	48690	D0HS1175C	FORD	•45157			38780
CHR 48794	FRT-LNR	48794			45160	D3HA1175BA	FORD	43860
CHR 48796	FRT-LNR	48796	D0HS1175D	FORD	•45157	D3HA1175CA	FORD	•45157
CHR 48884	FRT-LNR	48884			45160			45160
CHR 50124	FRT-LNR	50124	D0HS1175E	FORD	•38776	D3HA1175DA	FORD	•45157
CHR 52658	FRT-LNR	52658			38780			45160
CHR 538739	51 FRT-LNR	1643 ¹	D0HS1190A	FORD	28832	D3HA1190B1A	FORD	•43761
		1743 ²	D0HS1190B	FORD	•35058			43764
CHR 55172	FRT-LNR	55172			35066	D3HA1190B2A	FORD	•43761
CHR 55177	FRT-LNR	55177	D0HZ1131C	FORD	1612 ¹			43764
CHR1311	FRT-LNR	1311 ³			1711 ²	D3HS1175BA	FORD	38736
CHR1703	FRT-LNR	1613 ¹	D0HZ1131D	FORD	1788 ²	D3HS1175CA	FORD	43860
		1703 ²	D0HZ1131E	FORD	1691 ¹	D3HS1175DA	FORD	•45157
CHR1711	FRT-LNR	1612 ¹			1790 ²			45160
		1711 ²	D0HZ1131F	FORD	1787 ²	D3HS1190AA	FORD	35060
CHR1743	FRT-LNR	1643 ¹	D0HZ1131G	FORD	1715 ²	D3HZ1175A	FORD	•47692
		1743 ²	D0HZ1131J	FORD	1642 ¹			47697
CHR1770	FRT-LNR	1670 ¹			1742 ²	D3HZ1175BA	FORD	43860
		1770 ²	D0HZ1131L	FORD	1643 ¹	D3TA1175AA	FORD	31307
CHR35066	AM LAFR	•35058			1743 ²		Remove sleeve	
		35066	D0HZ1175A	FORD	31307	D3TA1175BA	FORD	31307
CHR39979	FRT-LNR	•39979	D0HZ1175B	FORD	•34384		Remove sleeve	
		39988			34387	D3TA1175HA	FORD	•38776
CHR43764	AM LAFR	•43761	D0HZ1175C	FORD	39425			38780
		43764	D0HZ1175D	FORD	•38776	D3TA1175TA	FORD	•45157
CHR47697	AM LAFR	•47692			38780			45160
		47697	D0HZ1175E	FORD	43860	D3TA1190BA	FORD	•34971
CR1612	KENWTH	1612 ¹	D0HZ1175F	FORD	•45157			34975
		1711 ²			45160	D3TA1190BZA	FORD	•35058
CR1612	PTRBLT	1612 ¹	D0HZ1190A	FORD	28832			35066
		1711 ²	D0HZ1190B	FORD	•35058	D3TZ1175E	FORD	39425
CR1613	PTRBLT	1613 ¹			35066	D4HS1131AA	FORD	1643 ¹
		1703 ²	D0HZ1190C	FORD	48796			1743 ²
CR1644	KENWTH	1644 ¹	D0HZ1190D	FORD	39380	D4HS1175AA	FORD	•46300
		1743 ²		w/ OEM ring				46305
CR1691	PTRBLT	1691 ¹	D0HZ1190E	FORD	•43761	D4HS1175BA	FORD	•45157
		1790 ²			43764			45160
CR1691	KENWTH	1691 ¹	D0HZ1S175A	FORD	31307	D5HA1175AA	FORD	•47692
		1790 ²	D0TZ1175A	FORD	31307			47697
D0HA1131N	FORD	1643 ¹	D0TZ1175B	FORD	•34384	D5HA1175BA	FORD	•47692
		1743 ²			34387			47697
D0HA1131T	FORD	1715 ²	D0TZ1175C	FORD	39380	D5HA1175CA	FORD	•47692
D0HA1131U	FORD	1612 ¹	D0TZ1175D	FORD	•38776			47697
		1711 ²			38780	D5HZ1175A	FORD	•47692
D0HA1173A	FORD	31307	D1HA1190AA	FORD	•35058			47697
D0HA1173B	FORD	•34384			35066	D5HZ1175A1A	FORD	•47692
		34387	D1HA1190BA	FORD	48796			47697
D0HA1173C	FORD	39425	D1HA1190DA	FORD	48794	D5HZ1175AA	FORD	•47692
D0HA1173E	FORD	43860	D1HS1175BA	FORD	43860			47697
	w/ OEM ring		D1HS1175CA	FORD	42800	D5HZ1190A	FORD	•34971
D0HA1173F	FORD	•45157	D1HS1190AA	FORD	•34971			34975
		45160			34975	D5HZ1190C	FORD	•43761
D0HA1175B	FORD	•34384	D1HZ1190A	FORD	•35058			43764
		34387			35066	D5HZ1190D	FORD	•43761
D0HA1175C	FORD	•38776	D1HZ1190B	FORD	48796			43764
		38780	D-29652387	DYNA	•35058	D5TZ1190D	FORD	•43761
D0HA1175D	FORD	43860			35066			43764
	w/ OEM ring		D29652400	DYNA	•35058	D7HA1173A1A	FORD	•47692
D0HA1175E	FORD	•45157			35066			47697
		45160	D29652439	KENWTH	•47692	D7HA1175A	FORD	•47692
D0HA1175F	FORD	39425			47697			47697
D0HA1190L	FORD	39380	D2HS1175AA	FORD	43860			

INTERNET CHANGES

COMPETITOR & MANUFACTURER

SCOTSEAL® TO GREASE SEAL

GREASE SEAL TO SCOTSEAL®

BEARING TO SCOTSEAL®

For in-text symbols, see page 6.

INTERCHANGES

COMPETITOR & MANUFACTURER

SCOTSEAL® TO GREASE SEAL

GREASE SEAL TO SCOTSEAL®

BEARING TO SCOTSEAL®

Mfr. no.	Mfr.	Part no.	Mfr. no.	Mfr.	Part no.	Mfr. no.	Mfr.	Part no.
D7HS1190AA	FORD	•34971	DR-2-RK	MECHNX/BARRIER	48884	DRE-4509	MECHNX/BARRIER	•48002
		34975		w/455019				48000
D7HT1175BA	FORD	48884	DR-4-RK	MECHNX/BARRIER	48884	DRE-4510	MECHNX/BARRIER	
D7HZ1175D	FORD	•47692		w/455019				•38776
		47697	DR-5-RK	MECHNX/BARRIER	42800			38780
D7HZ1175E	FORD	48884	DR-6-RK	MECHNX/BARRIER	39380	DRE-4511	MECHNX/BARRIER	
		w/455019	DR-8-RK	MECHNX/BARRIER	47699			43860
D9HS1190BA	FORD	28832	DR-9-RK	MECHNX/BARRIER	•43761	DRE-4512	MECHNX/BARRIER	•45157
DR-11-RK	MECHNX/BARRIER				43764			45160
		•47692	DRE-10-RK	MECHNX/BARRIER				
		47697			•38776	DRE-4513	MECHNX/BARRIER	39420
DR-12-RK	MECHNX/BARRIER				38780			38750
		•45157	DRE-11-RK	MECHNX/BARRIER		DRE-4514	MECHNX/BARRIER	38750
		45160			43860			
DR-13-RK	MECHNX/BARRIER		DRE-12-RK	MECHNX/BARRIER		DRE-4515	MECHNX/BARRIER	38750
		•48002			•45157			
		48000	DRE-13-RK	MECHNX/BARRIER	45160	DRE-4516	MECHNX/BARRIER	•38776
DR-14-RK	MECHNX/BARRIER				39420			38780
		38750	DRE-14-RK	MECHNX/BARRIER		DRE-4517	MECHNX/BARRIER	•38776
DR-1502	MECHNX/BARRIER	48884			38750			38780
	w/455019		DRE-1-RK	MECHNX/BARRIER				•38776
DR-1503	MECHNX/BARRIER	48884			•47692	DRE-4518	MECHNX/BARRIER	38780
	w/455019				47697			•38776
DR-1504	MECHNX/BARRIER	48884	DRE-22-RK	MECHNX/BARRIER				38780
	w/455019				43865	DRE-4519	MECHNX/BARRIER	•38776
DR-1505	MECHNX/BARRIER	42800			42673			38780
DR-1506	MECHNX/BARRIER	39380	DRE-23-RK	MECHNX/BARRIER				•38776
DR-1507	MECHNX/BARRIER	39380			42672	DRE-4520	MECHNX/BARRIER	38780
DR-1508	MECHNX/BARRIER	47699			•40129			•38776
DR-1509	MECHNX/BARRIER	•43761	DRE-24-RK	MECHNX/BARRIER				38780
		43764			40136	DRE-4521	MECHNX/BARRIER	•38776
DR-1510	MECHNX/BARRIER	•43761			45093			38780
		43764	DRE-25-RK	MECHNX/BARRIER	45099	DRE-4522	MECHNX/BARRIER	43865
DR-1511	MECHNX/BARRIER	•47692			50124			•42673
		47697	DRE-2-RK	MECHNX/BARRIER				42672
DR-1512	MECHNX/BARRIER	•45157			42800	DRE-4524	MECHNX/BARRIER	•40129
		45160	DRE-30-RK	MECHNX/BARRIER	47699			40136
DR-1513	MECHNX/BARRIER	•48002			•48002	DRE-4525	MECHNX/BARRIER	•45093
		48000	DRE-3-RK	MECHNX/BARRIER	48000			45099
DR-1514	MECHNX/BARRIER	•48002			48000	DRE-4527	MECHNX/BARRIER	50124
		48000	DRE-4501	MECHNX/BARRIER				50124
DR-1515	MECHNX/BARRIER	43860			•47692	DRE-4529	MECHNX/BARRIER	50124
DR-1516	MECHNX/BARRIER	•38776			47697			47699
		38780	DRE-4502	MECHNX/BARRIER		DRE-4530	MECHNX/BARRIER	
DR-1517	MECHNX/BARRIER	38709			42800			47699
DR-1518	MECHNX/BARRIER	38709	DRE-4503	MECHNX/BARRIER		DRE-5061	MECHNX/BARRIER	•47692
DR-1519	MECHNX/BARRIER	38709			•48002			47697
DR-1520	MECHNX/BARRIER	38709			48000	DRE-5062	MECHNX/BARRIER	42800
DR-1521	MECHNX/BARRIER	•47692	DRE-4504	MECHNX/BARRIER		DRE-5063	MECHNX/BARRIER	•48002
		47697			•48002			48000
DR-1522	MECHNX/BARRIER	43865	DRE-4505	MECHNX/BARRIER				48000
DR-1523	MECHNX/BARRIER	43865			48000	DRE-5064	MECHNX/BARRIER	44964
DR-1524	MECHNX/BARRIER	43865	DRE-4506	MECHNX/BARRIER				48690
DR-1525	MECHNX/BARRIER	•45093			•48002	DRE-5070	MECHNX/BARRIER	•38776
		45099			48000			38780
DR-1528	MECHNX/BARRIER	47699	DRE-4507	MECHNX/BARRIER				
DR-1531	MECHNX/BARRIER	•47692			•48002			
		47697			48000			
DR-1541	MECHNX/BARRIER	•47692	DRE-4508	MECHNX/BARRIER				
		47697			•48002			
DR-15-RK	MECHNX/BARRIER	43860			48000			
DR-16-RK	MECHNX/BARRIER	•38776			48000			
		38780			•48002			
DR-17-RK	MECHNX/BARRIER	38709			48000			
DR-21-RK	MECHNX/BARRIER	•47692			•48002			
		47697			48000			
DR-22-RK	MECHNX/BARRIER	43865			•48002			
DR-28-RK	MECHNX/BARRIER	47699			48000			

For in-text symbols, see page 6.

DRE-5063-EP49884

Mfr. no.	Mfr.	Part no.	Mfr. no.	Mfr.	Part no.	Mfr. no.	Mfr.	Part no.
DRE-5071	MECHNX/BARRIER		DRE-90-RK	MECHNX/BARRIER		E707-2239	LUFKIN	1643 ¹
		43860			47699			1743 ²
DRE-5072	MECHNX/BARRIER		DRE-93-RK	MECHNX/BARRIER		E7HT1175AA	FORD	•34384
		•45157			38709	E7HT1190AA	FORD	•35058
		45160	E191SP89	FRUHAUF	1799 ²			35066
DRE-5073	MECHNX/BARRIER		E1HS1131AA	FORD	1691 ¹	E7HZ1175A	FORD	•34384
		39420			1790 ²	E7HZ1190A	FORD	•35058
DRE-5074	MECHNX/BARRIER		E1HT1175AA	FORD	•47692			35066
		38750			47697	E7TZ1175A	FORD	•34384
DRE-5075	MECHNX/BARRIER		E1HT1175BA	FORD	•47692	E8HS-1190-AA	FORD	•34971
		39380			47697	E8HT1190AA	FORD	•34971
DRE-5081	MECHNX/BARRIER		E1HZ1175A	FORD	•47692	E8HT1190BA	FORD	•43761
		43875			47697			43764
DRE-5082	MECHNX/BARRIER		E1HZ1175B	FORD	•47692	E8TW-1177-AA	FORD	•34384
		43865			47697	E8TW1177BA	FORD	•34384
DRE-5083	MECHNX/BARRIER		E2910BJ-6	TIMKENSEALS	•35058	E8TZ1175A	FORD	32470
		•42673			35066	E8TZ1177B	FORD	•34384
		42672	E2910BJ-6	NATL D AUTO SEAL		ENG7866S	NATL D AUTO SEAL	
DRE-5084	MECHNX/BARRIER				•35058			48794
		•40129			35066	ENG7866S	TIMKENSEALS	48794
		40136	E2HT1190AA	FORD	•35058	EP46817	VICTOR	36365
DRE-5085	MECHNX/BARRIER				35066			w/ OEM ring
		•45093	E2HT1190BA	FORD	•43761	EP46841	VICTOR	•42627
		45099			43764			42623
DRE-5087	MECHNX/BARRIER		E2HZ1177A	FORD	•47692			w/ OEM ring
		50124			47697	EP46841-1	VICTOR	46390
DRE-5090	MECHNX/BARRIER		E3HZ1190B	FORD	•35058			w/450208
		47699			35066	EP46841-3	VICTOR	43800
DRE-5093	MECHNX/BARRIER		E3HZ1190C	FORD	•43761			w/ OEM ring
		38709			43764	EP46842-1	VICTOR	•40129
DRE-61-RK	MECHNX/BARRIER		E4HT1175AA	FORD	•47692			40136
		•47692			47697			w/ OEM ring
		47697	E4HT1175B	FORD	•47692	EP46842-2	VICTOR	•40129
DRE-62-RK	MECHNX/BARRIER				47697			40136
		42800	E4HZ1175A	FORD	31307			w/ OEM ring
DRE-63-RK	MECHNX/BARRIER				Remove sleeve	EP46842-3	VICTOR	•40129
		•48002	E4HZ1175B	FORD	•47692			40136
		48000			47697			w/ OEM ring
DRE-64-RK	MECHNX/BARRIER		E5HT1175AA	FORD	•47692	EP46842-4	VICTOR	•40129
		44964			47697			40136
DRE-65-RK	MECHNX/BARRIER		E5HT1175CA	FORD	•38776			w/ OEM ring
		48690			38780	EP46845	VICTOR	40139
DRE-71-RK	MECHNX/BARRIER		E5HT1175GA	FORD	•47692			w/ OEM ring
		43860			47697	EP46848	VICTOR	42624
DRE-72-RK	MECHNX/BARRIER		E5HT1190AA	FORD	•34971			w/ OEM ring
		•45157			34975	EP47794	VICTOR	47699
		45160	E5HZ1177B	FORD	•34384	EP47798	VICTOR	31244
DRE-73-RK	MECHNX/BARRIER				34387			w/ OEM ring
		39420	E5HZ1190A	FORD	•34971	EP47799	VICTOR	36285
DRE-74-RK	MECHNX/BARRIER				34975			w/ OEM ring
		38750	E5TW1177BA	FORD	•34384	EP49598	VICTOR	31244
DRE-75-RK	MECHNX/BARRIER				34387			w/ OEM ring
		39380	E5TZ1177B	FORD	•34384	EP49866	VICTOR	35060
DRE-81-RK	MECHNX/BARRIER				34387			w/ OEM ring
		•47692	E5TZ1177BA	FORD	•34384	EP49884	VICTOR	•39979
		47697			34387			39988
DRE-82-RK	MECHNX/BARRIER		E6HS1131BA	FORD	1643 ¹			w/455031
		43865			1743 ²	EP49888	VICTOR	•40091
DRE-83-RK	MECHNX/BARRIER		E6HT1175AA	FORD	•38776			40086
		•42673			38780			w/455031
		42672	E6HZ1175AA	FORD	•38776	EP64225	VICTOR	35075
DRE-84-RK	MECHNX/BARRIER				38780			w/ OEM ring
		•40129	E6HZ1175C	FORD	•38776	EP64225-1	VICTOR	35075
		40136			38780			w/ OEM ring
DRE-85-RK	MECHNX/BARRIER		E6HZ1175E	FORD	•38776	EP64225-2	VICTOR	35075
		•45093			38780			w/ OEM ring
		45099	E7072238	LUFKIN	•46300	EP64225-3	VICTOR	35075
DRE-87-RK	MECHNX/BARRIER				46305			w/ OEM ring
		50124						

INTERCHANGES

COMPETITOR & MANUFACTURER

SCOTSEAL® TO GREASE SEAL

GREASE SEAL TO SCOTSEAL®

BEARING TO SCOTSEAL®

For in-text symbols, see page 6.

INTERCHANGES

COMPETITOR & MANUFACTURER

SCOTSEAL® TO GREASE SEAL

GREASE SEAL TO SCOTSEAL®

BEARING TO SCOTSEAL®

Mfr. no.	Mfr.	Part no.	Mfr. no.	Mfr.	Part no.	Mfr. no.	Mfr.	Part no.
EP64227	VICTOR	36285	F1517	SHULER	•43754	FA-16-RK-BC	MECHNX/BARRIER	
		w/ OEM ring			43752			36365
EP64227-1	VICTOR	36285	F1552	SHULER	•46300		w/ OEM ring	
		w/ OEM ring			46305	FA-16-RK-CC	MECHNX/BARRIER	
EP64227-2	VICTOR	35075	F1HZ1175A	FORD	•38776			36365
		w/ OEM ring			38780		w/ OEM ring	
EP64227-3	VICTOR	35060	F2HT1175AA	FORD	•38776	FA-17-RK-BY	MECHNX/BARRIER	
		w/ OEM ring			38780			31244
EP64229	VICTOR	35075	F2HZ1175A	FORD	•34384		w/ OEM ring	
		w/ OEM ring			34387	FA-17-RK-YY	MECHNX/BARRIER	
EP64234-1	VICTOR	•40091	F2HZ1175B	FORD	•38776			31244
		40086			38780		w/ OEM ring	
		w/ OEM ring			•47692	FA-1801	MECHNX/BARRIER	•35058
EP64234-2	VICTOR	39380	F2HZ1175C	FORD	47697			35066
		w/ OEM ring			•38776	FA-1801-HM	MECHNX/BARRIER	
EP64234-3	VICTOR	39380	F2HZ1S175B	FORD	38780			•35058
		w/ OEM ring			•47692			35066
EP64236	VICTOR	•46300	F2HZ1S175C	FORD	47697	FA-1802	MECHNX/BARRIER	•35058
		46305			32470			35066
		w/ OEM ring			•34384	FA-1803	MECHNX/BARRIER	35075
EP64238-2	VICTOR	48884	F3HT1175AA	FORD	34387	FA-1804	MECHNX/BARRIER	35075
		w/455019			•34384	FA-1805	MECHNX/BARRIER	35075
EP64402	VICTOR	•45093	F3TW1177CA	FORD	34387	FA-1806	MECHNX/BARRIER	35075
		45099			•34384	FA-1807	MECHNX/BARRIER	39380
EP64404	VICTOR	•45157	F4TZ1177B	FORD	34387		w/ OEM ring	
		45160			•34384	FA-1808	MECHNX/BARRIER	39380
EP64408	VICTOR	39420	F4TZ1S177B	FORD	34387		w/ OEM ring	
EP64408-1	VICTOR	•39979	F81A1131BA	FORD	1612 ¹	FA-1809	MECHNX/BARRIER	39380
		39988			1711 ²		w/ OEM ring	
		w/ OEM ring			38750	FA-1810	MECHNX/BARRIER	36285
EP64408-2	VICTOR	38750	F81Z1175EA	FORD	38750	FA-1811	MECHNX/BARRIER	40040
		w/ OEM ring			FA-10-RK-W	MECHNX/BARRIER		48794
EP64410-2	VICTOR	45152	FA-10-RK-W	MECHNX/BARRIER	36285	FA-1812	MECHNX/BARRIER	48794
		w/ OEM ring			FA-10-RK-Y	MECHNX/BARRIER		48794
EP64410-3	VICTOR	43875	FA-10-RK-Y	MECHNX/BARRIER	36285	FA-1813	MECHNX/BARRIER	48794
		w/ OEM ring			FA-11-RK-W	MECHNX/BARRIER		35058
EP64412	VICTOR	•35058	FA-11-RK-W	MECHNX/BARRIER	40040	FA-1814	MECHNX/BARRIER	35066
		35066	FA-12-RK-ZU	MECHNX/BARRIER	48794			31244
		w/ OEM ring			FA-12-RK-ZZ	MECHNX/BARRIER		w/ OEM ring
EP64412-1	VICTOR	36365	FA-12-RK-ZZ	MECHNX/BARRIER	48794	FA-1816	MECHNX/BARRIER	35075
		w/ OEM ring			FA-14-RD-U	MECHNX/BARRIER		w/ OEM ring
EP64414	VICTOR	•35058	FA-14-RD-U	MECHNX/BARRIER	35066	FA-1817	MECHNX/BARRIER	31244
		35066	FA-14-RK-T	MECHNX/BARRIER	•35058		w/ OEM ring	
		w/ OEM ring			35066	FA-1818	MECHNX/BARRIER	36285
EP64414-1	VICTOR	•35058	FA-14-RK-T	MECHNX/BARRIER	35066		w/ OEM ring	
		35066	FA-14-RK-TX	MECHNX/BARRIER	•35058	FA-1819	MECHNX/BARRIER	35060
		w/ OEM ring			35066		w/ OEM ring	
EP64415	VICTOR	•44916	FA-14-RK-TX	MECHNX/BARRIER	•35058	FA-1820	MECHNX/BARRIER	35060
		44922	FA-14-RK-V	MECHNX/BARRIER	35066		w/ OEM ring	
		w/ OEM ring			•35058	FA-1821	MECHNX/BARRIER	35060
EP64415-1	VICTOR	40040	FA-14-RK-V	MECHNX/BARRIER	35066		w/ OEM ring	
		w/ OEM ring			FA-14-RK-W	MECHNX/BARRIER		35075
EP64435	VICTOR	•48002	FA-14-RK-W	MECHNX/BARRIER	•35058	FA1823	MECHNX/BARRIER	35075
		48000			35066		w/ OEM ring	
		w/ OEM ring			FA-14-RK-X	MECHNX/BARRIER		•39979
EP64439	VICTOR	38709	FA-14-RK-X	MECHNX/BARRIER	35066			39988
		w/ OEM ring			FA-14-RK-Y	MECHNX/BARRIER		w/455031
EP64443	VICTOR	42800	FA-14-RK-Y	MECHNX/BARRIER	•35058	FA-1825	MECHNX/BARRIER	32470
		w/ OEM ring			35066		w/455031	
EP64468	VICTOR	48794	FA-14-RK-Z	MECHNX/BARRIER	•35058	FA-18-RK-BY	MECHNX/BARRIER	
ER1220	VICTOR	48884			35066			36285
EX183-554	NAVISTAR (IHC)	32470	FA-15-RK-BB	MECHNX/BARRIER	31244		w/ OEM ring	
EZ0302E	NOK/FREUD	•42627			w/ OEM ring	FA-18-RK-YY	MECHNX/BARRIER	
		42623	FA-15-RK-CC	MECHNX/BARRIER	31244			36285
F0HT1190AA	FORD	•35058			w/ OEM ring	FA-19-RK-BY	MECHNX/BARRIER	
		35066			FA-15-RK-CC	MECHNX/BARRIER		35060
F0TZ1177A	FORD	•34384			w/ OEM ring		w/ OEM ring	
		34387						

For in-text symbols, see page 6.

FA-19-RK-YY-FAE5020

Mfr. no.	Mfr.	Part no.	Mfr. no.	Mfr.	Part no.	Mfr. no.	Mfr.	Part no.
FA-19-RK-YY..MECHNX/BARRIER		35060	FA-2-RK-Z..MECHNX/BARRIER		•35058	FAE-3-RK-Z..MECHNX/BARRIER		•35058
..... w/ OEM ring		35066		35066		35066
FA-1-RK-T..MECHNX/BARRIER		•35058	FA-3-RK-W..MECHNX/BARRIER		35075	FAE-4-RK-T..MECHNX/BARRIER		•35058
.....		35066		35075		35066
FA-1-RK-TX..MECHNX/BARRIER		•35058	FA-3-RK-Y..MECHNX/BARRIER		35075	FAE-4-RK-TX..MECHNX/BARRIER		•35058
.....		35066		35075		35066
FA-1-RK-U..MECHNX/BARRIER		•35058	FA-3-RK-Z..MECHNX/BARRIER		35075	FAE-4-RK-U..MECHNX/BARRIER		•35058
.....		35066		35075		35066
FA-1-RK-V..MECHNX/BARRIER		•35058	FA-7-RK-W..MECHNX/BARRIER		39380	FAE-4-RK-V..MECHNX/BARRIER		•35058
.....		35066 w/ OEM ring				35066
FA-1-RK-W..MECHNX/BARRIER		•35058	FAE-10-RK-W..MECHNX/BARRIER		32470	FAE-4-RK-W..MECHNX/BARRIER		•35058
.....		35066		32470		35066
FA-1-RK-Y..MECHNX/BARRIER		•35058	FAE-10-RK-Y..MECHNX/BARRIER		32470	FAE-4-RK-Y..MECHNX/BARRIER		•35058
.....		35066		32470		35066
FA-1-RK-Z..MECHNX/BARRIER		•35058	FAE-15-RK-EE..MECHNX/BARRIER		28820	FAE-4-RK-Z..MECHNX/BARRIER		•35058
.....		35066		36285		35066
FA-20-RK-BY..MECHNX/BARRIER		35060 w/ OEM ring			FAE-4-RK-Z..MECHNX/BARRIER		•35058
..... w/ OEM ring		35066	FAE-16-RK-BY..MECHNX/BARRIER		36285		35066
FA-20-RK-YY..MECHNX/BARRIER		•35058		36285	FAE-5001..MECHNX/BARRIER		•44916
.....		35066 w/ OEM ring				44922
..... w/ OEM ring		35066	FAE-16-RK-Z..MECHNX/BARRIER		36285	FAE-5002..MECHNX/BARRIER		•44916
FA-23-RK-BC..MECHNX/BARRIER		35075		36285		44922
..... w/ OEM ring		35075	FAE-18-RK-BB..MECHNX/BARRIER		31244	FAE-5003..MECHNX/BARRIER		•35058
FA-23-RK-CC..MECHNX/BARRIER		35075 w/ OEM ring				35066
..... w/ OEM ring		35075	FAE-18-RK-CC..MECHNX/BARRIER		31244	FAE-5004..MECHNX/BARRIER		•35058
FA-24-RK-BC..MECHNX/BARRIER		•39979		31244		35066
.....		39988	FAE-1-RK-ZW..MECHNX/BARRIER		•44916	FAE-5005..MECHNX/BARRIER		•35058
..... w/455031		39988		44922		35066
FA-24-RK-CC..MECHNX/BARRIER		•39979	FAE-20-RK-QB..MECHNX/BARRIER		•40091	FAE-5006..MECHNX/BARRIER		•43761
.....		39988		40086		43764
..... w/455031		39988 w/ OEM ring			FAE-5007..MECHNX/BARRIER		36285
FA-25-RK-W..MECHNX/BARRIER		32470	FAE-21-RK-QB..MECHNX/BARRIER		•40091 w/ OEM ring		48794
.....		32470		40086	FAE-5008..MECHNX/BARRIER		36285
FA-25-RK-Y..MECHNX/BARRIER		32470 w/ OEM ring			FAE-5009..MECHNX/BARRIER		32470
.....		32470	FAE-2-RK-ZW..MECHNX/BARRIER		•44916	FAE-5010..MECHNX/BARRIER		39380
FA-2-RK-T..MECHNX/BARRIER		•35058		44922	FAE-5012..MECHNX/BARRIER		w/ OEM ring
.....		35066	FAE-3-RK-T..MECHNX/BARRIER		•35058	FAE-5014..MECHNX/BARRIER		•44916
FA-2-RK-TX..MECHNX/BARRIER		•35058		35066		44922
.....		35066	FAE-3-RK-TX..MECHNX/BARRIER		•35058	FAE-5015..MECHNX/BARRIER		28820
FA-2-RK-U..MECHNX/BARRIER		•35058		35066	FAE-5016..MECHNX/BARRIER		36285
.....		35066	FAE-3-RK-U..MECHNX/BARRIER		•35058 w/ OEM ring		36365
FA-2-RK-V..MECHNX/BARRIER		•35058		35066	FAE-5017..MECHNX/BARRIER		w/ OEM ring
.....		35066	FAE-3-RK-V..MECHNX/BARRIER		•35058	FAE-5018..MECHNX/BARRIER		31244
FA-2-RK-W..MECHNX/BARRIER		•35058		35066 w/ OEM ring		31244
.....		35066	FAE-3-RK-W..MECHNX/BARRIER		•35058	FAE-5019..MECHNX/BARRIER		•39979
FA-2-RK-Y..MECHNX/BARRIER		•35058		35066		39988
.....		35066	FAE-3-RK-Y..MECHNX/BARRIER		•35058 w/455031		40091
.....		35066		35066	FAE-5020..MECHNX/BARRIER		40086
.....		35066		35066 w/ OEM ring		35066

INTERCHANGES

COMPETITOR & MANUFACTURER

SCOTSEAL® TO GREASE SEAL

GREASE SEAL TO SCOTSEAL®

BEARING TO SCOTSEAL®

INTERCHANGES

COMPETITOR & MANUFACTURER

SCOTSEAL® TO GREASE SEAL

GREASE SEAL TO SCOTSEAL®

BEARING TO SCOTSEAL®

Mfr. no.	Mfr.	Part no.	Mfr. no.	Mfr.	Part no.	Mfr. no.	Mfr.	Part no.
FAE-5021..MECHNX/BARRIER			H1004334..MONON		•42627	HS35059..MIDLAND		•35058
		•40091			42623			35066
		40086	HC-4002..TIMKENSEALS		1627 ¹	HS38776..MIDLAND		•38776
		w/ OEM ring	HC-4002..NATL D AUTO SEAL		1627 ¹			38780
FAE-5-RK-T..MECHNX/BARRIER			HC-4009..NATL D AUTO SEAL		1643 ¹	HS38779..MIDLAND		•38776
		•35058			1743 ²			38780
		35066	HC-4009..TIMKENSEALS		1643 ¹	HS39977..MIDLAND		•39979
					1743 ²			39988
FAE-5-RK-TX..MECHNX/BARRIER			HC-4013..TIMKENSEALS		1642 ¹	HS42622..MIDLAND		•42627
		•35058			1742 ²			42623
		35066	HC-4013..NATL D AUTO SEAL		1642 ¹	HS42627..MIDLAND		•42627
					1742 ²			42623
FAE-5-RK-U..MECHNX/BARRIER			HC-4019..TIMKENSEALS		1627 ¹	HS42671..MIDLAND		•42673
		•35058	HC-4019..NATL D AUTO SEAL		1627 ¹			42672
		35066	HC-4024..TIMKENSEALS		1612 ¹	HS43761..MIDLAND		•43761
					1711 ²			43764
FAE-5-RK-V..MECHNX/BARRIER			HC-4024..NATL D AUTO SEAL		1612 ¹	HS43763..MIDLAND		•43761
		•35058			1711 ²			43764
		35066	HC-4028..TIMKENSEALS		1715 ²	HS44919..MIDLAND		•44916
			HC-4028..NATL D AUTO SEAL		1715 ²			44922
FAE-5-RK-W..MECHNX/BARRIER			HC-4034..NATL D AUTO SEAL		1670 ¹	HS45097..MIDLAND		•45093
		•35058			1770 ²			45099
		35066	HC-4034..TIMKENSEALS		1670 ¹	HS45102..MIDLAND		•45095
					1770 ²			45103
FAE-5-RK-Y..MECHNX/BARRIER			HC-4036..NATL D AUTO SEAL		1702 ¹	HS47692..MIDLAND		•47692
		•35058	HC-4036..TIMKENSEALS		1702 ¹			47697
		35066	HC-4042..NATL D AUTO SEAL		1665 ¹	HS47694..MIDLAND		•47691
					1765 ²	HS47695..MIDLAND		•47692
FAE-5-RK-Z..MECHNX/BARRIER			HC-4042..TIMKENSEALS		1665 ¹			47697
		•35058			1765 ²	HS48001..MIDLAND		•48002
		35066	HC-4046..NATL D AUTO SEAL		1643 ¹			48000
FAE-6-RK-D..MECHNX/BARRIER			HC-4046..TIMKENSEALS		1743 ²	HU009A..CAR QUEST		1643 ¹
		•43761			1743 ²			1743 ²
		43764	HC-4057..TIMKENSEALS		1754 ²	HU009A..KAMAN		1643 ¹
			HC-4057..NATL D AUTO SEAL		1754 ²			1743 ²
FAE-6-RK-P..MECHNX/BARRIER			HC-4066..NATL D AUTO SEAL		1623 ¹	HU-009A..TIMKENSEALS		1643 ¹
		•43761			1723 ²			1743 ²
		43764	HC-4066..TIMKENSEALS		1623 ¹	HU-009A..NATL D AUTO SEAL		1643 ¹
					1723 ²			1743 ²
FAE-7-RK-BY..MECHNX/BARRIER			HC-4075..TIMKENSEALS		1282 ⁴	HU013A..KAMAN		1642 ¹
		36285	HC-4075..NATL D AUTO SEAL		1282 ⁴			1742 ²
		w/ OEM ring	HC-4091..NATL D AUTO SEAL		1612 ¹	HU013A..CAR QUEST		1642 ¹
FAE-7-RK-YY..MECHNX/BARRIER					1711 ²			1742 ²
		36285	HC-4091..TIMKENSEALS		1612 ¹	HU-013A..TIMKENSEALS		1642 ¹
		w/ OEM ring			1711 ²			1742 ²
FAE-7-RK-Z..MECHNX/BARRIER			HC-4092..TIMKENSEALS		1787 ²	HU-013A..NATL D AUTO SEAL		1642 ¹
		36285	HC-4092..NATL D AUTO SEAL		1787 ²			1742 ²
		w/ OEM ring	HC-4093..TIMKENSEALS		1788 ²	HU019A..CAR QUEST		1627 ¹
FAE-8-RK-ZU..MECHNX/BARRIER			HC-4093..NATL D AUTO SEAL		1788 ²	HU019A..KAMAN		1627 ¹
		48794	HC-4098..NATL D AUTO SEAL		1691 ¹	HU-019A..TIMKENSEALS		1627 ¹
					1790 ²	HU-019A..NATL D AUTO SEAL		1627 ¹
FAE-8-RK-ZZ..MECHNX/BARRIER			HC-4098..TIMKENSEALS		1691 ¹	HU024A..CAR QUEST		1612 ¹
		48794			1790 ²			1711 ²
FAE-9-RK-W..MECHNX/BARRIER			HDT1301..MARMON		•35058	HU024A..KAMAN		1612 ¹
		36285			35066			1711 ²
			HI057016..MONON		•42627	HU-024A..TIMKENSEALS		1612 ¹
FAE-9-RK-Y..MECHNX/BARRIER					42623			1711 ²
		36285	HP-934116..WALINGA BDY&COACH		•46300	HU028A..KAMAN		1681 ¹
FAE-9-RK-ZY..MECHNX/BARRIER			LTD		46305	HU028A..CAR QUEST		1715 ²
		36285			•42627	HU-028A..NATL D AUTO SEAL		1715 ²
FC900..R-STD		28820	HPZ6171X2..FRUHAUF		42623	HU-028A..TIMKENSEALS		1715 ²
FOTW1177AA..NOK/FREUD		•34384			1643 ¹	HU034A..CAR QUEST		1670 ¹
G143..PAYEN		42800			1743 ²			1770 ²
G2078026..VOLVO TRK NA		47690	HS1643..MIDLAND		1643 ¹	HU034A..KAMAN		1670 ¹
G654686..VOLVO/GMC/WHITE TRK		36285			1743 ²			1770 ²
		36285	HS34384..MIDLAND		•34384	HU034A..TIMKENSEALS		1670 ¹
		42800	HS34386..MIDLAND		•34384			1770 ²
		48002	HS34972..MIDLAND		•34971	HU-034A..TIMKENSEALS		1670 ¹
		48000	HS34999..MIDLAND		•34994			1770 ²
G704303..VOLVO/GMC/WHITE TRK		48796						
		1643 ¹						
		1743 ²						
GD45926..GREAT DANE		1643 ¹						
		1743 ²						
GGAHH10190..DANA-SPICER		39425						
H075..CAR QUEST		1282 ⁴						
H-075..TIMKENSEALS		1282 ⁴						
H-075..NATL D AUTO SEAL		1282 ⁴						
H1004332..MONON		•46300						
		46305						

For in-text symbols, see page 6.

HU-034A-N34387

Mfr. no.	Mfr.	Part no.	Mfr. no.	Mfr.	Part no.	Mfr. no.	Mfr.	Part no.
HU-034A	NATL D AUTO SEAL	1670 ¹	M10HH125	DANA-SPICER	42624	MST366719	FRUHAUF	42673
		1770 ²	M10HH137	SPICER	46300			42672
HU036A	KAMAN	1669 ¹			46305	MT2P1471	MACK	34384
HU036A	CAR QUEST	1702 ¹	M10HH142	SPICER	46300	N1282	SLD PWR	1282 ⁴
HU-036A	TIMKENSEALS	1702 ¹			46305	N1343	SLD PWR	1343 ³
HU-036A	NATL D AUTO SEAL	1702 ¹	M10HH142	DANA-SPICER	46300	N1643	SLD PWR	1643 ¹
HU042A	CAR QUEST	1665 ¹			46305			1743 ²
		1765 ²	M10HH143	DANA-SPICER	40129	N1702	SLD PWR	1702 ¹
HU042A	KAMAN	1665 ¹			40136	N1703	SLD PWR	1613 ¹
		1765 ²	M10HH152	DANA-SPICER	42627			1703 ²
HU-042A	NATL D AUTO SEAL	1665 ¹			42623	N1711	SLD PWR	1612 ¹
		1765 ²	M10HH169	HENDKSN	46300			1711 ²
HU-042A	TIMKENSEALS	1665 ¹			46305	N1715	SLD PWR	1715 ²
		1765 ²	M10HH169	DANA-SPICER	46300	N1723	SLD PWR	1623 ¹
HU-046A	NATL D AUTO SEAL	1643 ¹			46305			1723 ²
		1743 ²	M10HK100	DANA-SPICER	1643 ¹	N1727	SLD PWR	1627 ¹
HU-046A	TIMKENSEALS	1643 ¹			1743 ²	N1733	SLD PWR	1733 ²
		1743 ²	M10HK121	DANA-SPICER	1612 ¹	N1742	SLD PWR	1642 ¹
HU057A	CAR QUEST	1754 ²			1711 ²			1742 ²
HU057A	KAMAN	1754 ²	M10HK124	DANA-SPICER	1643 ¹	N1743	SLD PWR	1643 ¹
HU-057A	TIMKENSEALS	1754 ²			1743 ²			1743 ²
HU-057A	NATL D AUTO SEAL	1754 ²	M10HK129	DANA-SPICER	1640 ¹	N1744	SLD PWR	1744 ²
HU065A	KAMAN	1608 ¹	M10HK171	SPICER	1643 ¹	N1753	SLD PWR	1753 ²
HU066A	CAR QUEST	1623 ¹			1743 ²	N1754	SLD PWR	1754 ²
		1723 ²	M10HK182	DANA-SPICER	1643 ¹	N1765	SLD PWR	1665 ¹
HU066A	KAMAN	1623 ¹			1743 ²			1765 ²
		1723 ²	M10HK194	DANA-SPICER	1343 ³	N1770	SLD PWR	1670 ¹
HU-066A	NATL D AUTO SEAL	1623 ¹	M203001162	MINNPAR	32470	N1783	SLD PWR	1770 ²
		1723 ²	M35A12890	MINNPAR	46300			1643 ¹
HU-066A	TIMKENSEALS	1623 ¹			46305	N1787	SLD PWR	1743 ²
		1723 ²	M4478	REO	38709			1787 ²
HU075A	NATL D AUTO SEAL	1282 ⁴	M560804	WHT-TRK	36285	N1788	SLD PWR	1788 ²
HU110A	CAR QUEST	1643 ¹	M563986	WHT-TRK	38776	N1790	SLD PWR	1691 ¹
		1743 ²			38780			1790 ²
HU110A	KAMAN	1643 ¹	MCG010714	FRUHAUF	46300	N1796	SLD PWR	1696 ¹
		1743 ²			46305			1796 ²
HU-110A	TIMKENSEALS	1643 ¹	MCG010911	FRUHAUF	42627	N1798	SLD PWR	1698 ¹
		1743 ²			42623			1798 ²
HU-110A	NATL D AUTO SEAL	1643 ¹	MHG177	R-STD	40129	N1799	SLD PWR	1799 ²
		1743 ²			40136	N1903	SLD PWR	1613 ¹
HU149A	KAMAN	1613 ¹	MHG205	R-STD	40139			1703 ²
		1703 ²	MHG221	R-STD	43754	N1911	SLD PWR	1612 ¹
HU149A	CAR QUEST	1613 ¹			43752			1711 ²
		1703 ²	MHG238	R-STD	43754	N1923	SLD PWR	1623 ¹
HU-149A	NATL D AUTO SEAL	1613 ¹			43752			1723 ²
		1703 ²	MHG239	R-STD	43754	N1927	SLD PWR	1627 ¹
HU-149A	TIMKENSEALS	1613 ¹			43752	N1942	SLD PWR	1642 ¹
		1703 ²	MHG240	R-STD	43754			1742 ²
HW009A	KAMAN	1643 ¹			43752	N1943	SLD PWR	1643 ¹
		1743 ²	MHG241	R-STD	40129			1743 ²
ICG9424	AUTOCAR	36285			40136	N1965	SLD PWR	1665 ¹
	w/ OEM ring		MHG242	R-STD	43754			1765 ²
J0384540	RENAULT	38736			43752	N1987	SLD PWR	1787 ²
K116920	KING	46300	MHG243	R-STD	46300	N1990	SLD PWR	1691 ¹
		46305			46305			1790 ²
K117464	KING	1643 ¹	MHG246	R-STD	46300	N27438	SLD PWR	27438
		1743 ²			46305	N28758	SLD PWR	28759
L3541X	MASS-FER	50124	MHG255	R-STD	39380			28758
M10HH101	DANA-SPICER	40129	MHG257	R-STD	46300	N28820	SLD PWR	28820
		40136			46305	N28832	SLD PWR	28832
M10HH102	DANA-SPICER	46300	MHG283	R-STD	42627	N31175	SLD PWR	31175
		46305			42623	N31244	SLD PWR	31244
M10HH103	DANA-SPICER	35075	MHG284	R-STD	46300			w/ OEM ring
M10HH1032	DANA-SPICER	35075			46305	N31281	SLD PWR	31281
M10HH107X	DANA-SPICER	46300	MST-0-66534	FRUHAUF	1282 ⁴	N31307	SLD PWR	31307
		46305			42673	N32470	SLD PWR	32470
M10HH114	DANA-SPICER	40129	MST0-66719	FRUHAUF	42672	N-34386	SLD PWR	34384
		40136			1282 ⁴	N34387	SLD PWR	34384
M10HH119	DANA-SPICER	45162	MST-3-66534	FRUHAUF	1282 ⁴			34387

INTERCHANGES

COMPETITOR & MANUFACTURER

SCOTSEAL® TO GREASE SEAL

GREASE SEAL TO SCOTSEAL®

BEARING TO SCOTSEAL®

INTERCHANGES

COMPETITOR & MANUFACTURER

SCOTSEAL® TO GREASE SEAL

GREASE SEAL TO SCOTSEAL®

BEARING TO SCOTSEAL®

Mfr. no.	Mfr.	Part no.	Mfr. no.	Mfr.	Part no.	Mfr. no.	Mfr.	Part no.
N-34972	SLD PWR	•34971	N43875	SLD PWR	43875	OS1703	SKF	1613 ¹
N34975	SLD PWR	•34971	N4478	DIA T	38709			1703 ²
		34975	N-44919	SLD PWR	•44916	OS1711	SKF	1612 ¹
N34999	SLD PWR	•34994			44922			1711 ²
N35000	SLD PWR	•34994	N44922	SLD PWR	•44916	OS1715	SKF	1715 ²
		35000			44922	OS1723	SKF	1623 ¹
N-35059	SLD PWR	•35058	N44924	SLD PWR	•44916			1723 ²
		35066			44922	OS1727	SKF	1627 ¹
N35060	SLD PWR	35060	N44964	SLD PWR	44964	OS1733	SKF	1733 ²
		w/ OEM ring	N45010	SLD PWR	45010	OS1742	SKF	1642 ¹
N35066	SLD PWR	•35058	N-45097	SLD PWR	•45093			1742 ²
		35066			45099	OS1743	SKF	1643 ¹
N35072	SLD PWR	35072	N45099	SLD PWR	•45093			1743 ²
N35075	SLD PWR	35075			45099	OS1744	SKF	1744 ²
N36285	SLD PWR	36285	N-45102	SLD PWR	•45095	OS1753	SKF	1753 ²
N-36358	SLD PWR	36358			45103	OS1754	SKF	1754 ²
N36365	SLD PWR	36365	N45103	SLD PWR	•45095	OS1765	SKF	1665 ¹
N38709	SLD PWR	38709			45103			1765 ²
N-38736	SLD PWR	38736	N45105	SLD PWR	•45095	OS1770	SKF	1670 ¹
N38747	SLD PWR	38747			45103			1770 ²
N38750	SLD PWR	38750	N45152	SLD PWR	45152	OS1783	SKF	1643 ¹
N-38779	SLD PWR	•38776	N45160	SLD PWR	•45157			1743 ²
		38780			45160	OS1787	SKF	1787 ²
N38780	SLD PWR	•38776	N45162	SLD PWR	45162	OS1788	SKF	1788 ²
		38780	N-46304	SLD PWR	•46300	OS1790	SKF	1691 ¹
N39380	SLD PWR	39380			46305			1790 ²
N39420	SLD PWR	39420	N46305	SLD PWR	•46300	OS1796	SKF	1696 ¹
N39425	SLD PWR	39425			46305			1796 ²
N-39977	SLD PWR	•39979	N46390	SLD PWR	46390	OS1798	SKF	1698 ¹
		39988	N-46396	SLD PWR	46396			1798 ²
N39988	SLD PWR	•39979	N47483	SLD PWR	47483	OS1799	SKF	1799 ²
		39988	N47690	SLD PWR	47690	OS27438	SKF	27438
N40040	SLD PWR	40040	N47694	SLD PWR	•47691	OS28758	SKF	•28759
N40085	SLD PWR	•40091	N47695	SLD PWR	•47691			28758
		40086	N47697	SLD PWR	•47692	OS28820	SKF	28820
N40086	SLD PWR	•40091			47697	OS28832	SKF	28832
		40086	N47698	SLD PWR	47698	OS31175	SKF	31175
N-40133	SLD PWR	•40129	N47699	SLD PWR	47699	OS31244	SKF	31244
		40136	N48000	SLD PWR	•48002			w/ OEM ring
N40134	SLD PWR	•40129			48000	OS31281	SKF	31281
		40136	N-48001	SLD PWR	•48002	OS31307	SKF	31307
N40135	SLD PWR	40139			48000	OS32470	SKF	32470
N40136	SLD PWR	•40129	N48690	SLD PWR	48690	OS34386	SKF	•34384
		40136			w/ OEM ring	OS34387	SKF	•34384
N40139	SLD PWR	40139	N48794	SLD PWR	48794			34387
N42550	SLD PWR	42550	N48796	SLD PWR	48796	OS34972	SKF	•34971
N-42622	SLD PWR	•42627	N48884	SLD PWR	48884	OS34975	SKF	•34971
		42623	N50124	SLD PWR	50124			34975
N42623	SLD PWR	•42627	N52658	SLD PWR	52658	OS34999	SKF	•34994
		42623	N-55172	SLD PWR	55172	OS35000	SKF	•34994
N42624	SLD PWR	42624	N-55177	SLD PWR	55177			35000
N42625	SLD PWR	42625	NPV6953X8	FRUHAUF	•42627	OS35059	SKF	•35058
N-42671	SLD PWR	•42673			42623			35066
		42672	OB27377	QUAL RUN	27438	OS35060	SKF	35060
N42672	SLD PWR	•42673	OB27377	TCM	27438			w/ OEM ring
		42672	OM56734SP01	FRUHAUF	•42627	OS35066	SKF	•35058
N42800	SLD PWR	42800			42623			35066
N43752	SLD PWR	•43754	OS1216	SKF	47699	OS35072	SKF	35072
		43752	OS1282	SKF	1282 ⁴	OS35075	SKF	35075
N-43753	SLD PWR	•43754	OS1311	SKF	1311 ³	OS36285	SKF	36285
		43752	OS1343	SKF	1343 ³	OS36358	SKF	36358
N-43763	SLD PWR	•43761	OS1362	SKF	1362 ³	OS36365	SKF	36365
		43764	OS1630	SKF	1630 ¹	OS38709	SKF	38709
N43764	SLD PWR	•43761	OS1643	SKF	1643 ¹	OS38736	SKF	38736
		43764			1743 ²	OS38747	SKF	38747
N43795	SLD PWR	42800	OS1644	SKF	1644 ¹	OS38750	SKF	38750
N43800	SLD PWR	43800			1743 ²	OS38779	SKF	•38776
N43860	SLD PWR	43860	OS1702	SKF	1702 ¹			38780
N43865	SLD PWR	43865						

For in-text symbols, see page 6.

OS38780-SS644372

Mfr. no.	Mfr.	Part no.	Mfr. no.	Mfr.	Part no.	Mfr. no.	Mfr.	Part no.
OS38780	SKF	•38776	OS46390	SKF	46390	SS46842-4	VICTOR	•40129
		38780	OS46396	SKF	46396			40136
OS39380	SKF	39380	OS47483	SKF	47483		w/ OEM ring	
OS39420	SKF	39420	OS47690	SKF	47690	SS46845	VICTOR	•40129
OS39425	SKF	39425	OS47694	SKF	•47691			40136
OS39977	SKF	•39979	OS47695	SKF	•47691	SS46847	VICTOR	•43754
		39988	OS47697	SKF	•47692			43752
OS39988	SKF	•39979			47697	SS46848	VICTOR	42624
		39988	OS47698	SKF	47698	SS468481	VICTOR	•40129
OS40040	SKF	40040	OS47699	SKF	47699			40136
OS40086	SKF	•40091	OS48000	SKF	•48002	SS468482	VICTOR	42624
		40086			48000			Seal only
OS40133	SKF	•40129	OS48001	SKF	•48002	SS468483	VICTOR	42624
		40136			48000			w/455024
OS40135	SKF	40139	OS48690	SKF	48690	SS47781	VICTOR	48884
OS40136	SKF	•40129			w/ OEM ring			w/wiper
		40136	OS48794	SKF	48794	SS47869	VICTOR	43860
OS40139	SKF	40139	OS48796	SKF	48796	SS47878	VICTOR	52658
OS42550	SKF	42550	OS48884	SKF	48884	SS47880SF	VICTOR	•34384
OS42622	SKF	•42627	OS50124	SKF	50124			34387
		42623	OS52658	SKF	52658	SS47883	VICTOR	38709
OS42623	SKF	•42627	OS55172	SKF	55172	SS47885	VICTOR	32470
		42623	OS55177	SKF	55177	SS47887	VICTOR	36285
OS42624	SKF	42624	P801342	ATHY PR	28832	SS47889	VICTOR	43860
OS42625	SKF	42625	PRF43860	NAVISTAR (IHC)	43860	SS47890	VICTOR	47690
OS42671	SKF	•42673	R61623	GREAT DANE	1343 ³	SS47891	VICTOR	•46300
		42672	RB1005	GREAT DANE	1343 ³			46305
OS42672	SKF	•42673	RB422	GREAT DANE	1343 ³			Seal only
		42672	RM146-33	HEIL	50124	SS47983	VICTOR	•28759
OS42800	SKF	42800	RM146A33	HEIL	50124			28758
OS43752	SKF	•43754	S10067	STEFA	43860	SS48267	VICTOR	•45093
		43752	S1246	STEFA	42800			45099
OS43753	SKF	•43754	S14506	FEL-PRO	42800	SS64225	VICTOR	35075
		43752	S14905	FEL-PRO	•45093			w/ OEM ring
OS43763	SKF	•43761			45099	SS64225-2	VICTOR	35075
		43764	S15026-1	FEL-PRO	43860	SS64227	VICTOR	36285
OS43764	SKF	•43761	S15832	FEL-PRO	47699			w/ OEM ring
		43764	S15832-1	FEL-PRO	47699	SS642272	VICTOR	35075
OS43795	SKF	42800	S4088	STEFA	•45093	SS642273	VICTOR	36285
OS43800	SKF	43800			45099			w/ O-ring
OS43860	SKF	43860	S6104	AUTOCAR	35060	SS64231	VICTOR	39380
OS43865	SKF	43865			w/ OEM ring	SS642311	VICTOR	36358
OS43875	SKF	43875	SB171	GREAT DANE	1343 ³			Seal only
OS44919	SKF	•44916	SEA401	BRENNER	•46300	SS64234	VICTOR	39380
		44922			46305			w/ OEM ring
OS44922	SKF	•44916	SEA402	BRENNER	1643 ¹	SS64234-1	VICTOR	•40091
		44922			1743 ³			40086
OS44924	SKF	•44916	SG245533	SKF	1702 ¹			w/ OEM spacer
		44922	SK80-091	FRUHAUF	42625	SS64234-3	VICTOR	39380
OS44964	SKF	44964	SP106	FRUHAUF	•46300	SS64236	VICTOR	•46300
OS45010	SKF	45010			46305			46305
OS45097	SKF	•45093	SP108	FRUHAUF	1643 ¹	SS64238-2	VICTOR	48884
		45099			1743 ³			w/455019
OS45099	SKF	•45093	SS46841	VICTOR	•42627	SS64238-3	VICTOR	48884
		45099			42623	SS642401	VICTOR	45162
OS45102	SKF	•45095	SS46841-1	VICTOR	46390	SS64240-2	VICTOR	45162
		45103			w/ O-ring			w/ OEM ring
OS45103	SKF	•45095	SS468412	VICTOR	43800	SS64240-3	VICTOR	48796
		45103			Seal only	SS64412	VICTOR	35075
OS45105	SKF	•45095	SS468413	VICTOR	43800	SS64412-1	VICTOR	36365
		45103			Seal only			w/ OEM ring
OS45152	SKF	45152	SS46841-4	VICTOR	•42627	SS644123	VICTOR	35075
OS45160	SKF	•45157			42623	SS64414	VICTOR	•35058
		45160			Seal only			35066
OS45162	SKF	45162	SS46842	VICTOR	•40129	SS64415	VICTOR	•44916
OS46304	SKF	•46300			40136			44922
		46305	SS46842-1	VICTOR	•40129	SS644151	VICTOR	40040
OS46305	SKF	•46300			40136	SS644372	VICTOR	•48002
		46305						48000

INTERCHANGES

COMPETITOR & MANUFACTURER

SCOTSEAL® TO GREASE SEAL

GREASE SEAL TO SCOTSEAL®

BEARING TO SCOTSEAL®

INTERCHANGES

COMPETITOR & MANUFACTURER

SCOTSEAL® TO GREASE SEAL

GREASE SEAL TO SCOTSEAL®

BEARING TO SCOTSEAL®

Mfr. no.	Mfr.	Part no.	Mfr. no.	Mfr.	Part no.	Mfr. no.	Mfr.	Part no.
SS64439	VICTOR	38709	SW27020JI	SYS & ELEC INC	•46300	TR-1016	MECHNX/BARRIER	•46300
SS64443	VICTOR	42800			46305			46305
SS64456	VICTOR	35075	T15688S	TROSTEL	31244	TR-1017	MECHNX/BARRIER	•46300
SS64460	VICTOR	31281	T295	MOPAR	43860			46305
SS64462	VICTOR	40040	T3119	CHRYSR	43865	TR-1018	MECHNX/BARRIER	•46300
SS64464	VICTOR	31175	T3119	MOPAR	43865			46305
SS64468	VICTOR	48794	T3142	MOPAR	•45093	TR-1019	MECHNX/BARRIER	•40129
SS64471	VICTOR	31244			45099			40136
		w/ OEM ring	T3148	MOPAR	•45157			w/ OEM ring
SS64487	VICTOR	28820			45160	TR-1020	MECHNX/BARRIER	•40129
SS64491	VICTOR	36365	T3148	CHRYSR	•45157			40136
		w/ OEM ring			45160			w/ OEM ring
SS64495	VICTOR	•39979	T321450	HYSTER	44964	TR-1021	MECHNX/BARRIER	•40129
		39988	T3242	MOPAR	47699			40136
		w/ OEM ring	T35070	TROSTEL	50124			w/ OEM ring
SS64495-1	VICTOR	•39979	T45034	TROSTEL	36365	TR-1022	MECHNX/BARRIER	•40129
		39988	T5467	TROSTEL	43860			40136
		w/ OEM ring	T55200	TROSTEL	44964			w/ OEM ring
SS64502	VICTOR	31244	T55361S	TROSTEL	50124	TR-1023	MECHNX/BARRIER	•40129
		w/ OEM ring	T5554	TROSTEL	47699			40136
SS64511	VICTOR	35060	T55581	TROSTEL	•38776			w/ OEM ring
		w/ OEM ring	T6502085P	TRAILOR	•43754	TR-1024	MECHNX/BARRIER	•40129
SS64517	VICTOR	•43761			43752			40136
		43764	T6635	TROSTEL	42800	TR-1025	MECHNX/BARRIER	•40129
SS64530	VICTOR	•35058	T6755	TROSTEL	•45093			40136
		35066			45099			w/ OEM ring
SS64532	VICTOR	27438	T7378	TROSTEL	47699	TR-1026	MECHNX/BARRIER	•40129
SS64534	VICTOR	28832	TAJAA1175A	FORD	•45157			40136
SS64538	VICTOR	•34971			45160			w/ OEM ring
		34975	TAJAA1175B	FORD	•45157	TR-1027	MECHNX/BARRIER	•40129
SS64539	VICTOR	•45095			45160			40136
		45103	TAKAA1175A	FORD	48884			w/ OEM ring
SS64541	VICTOR	31281			w/455019	TR-1028	MECHNX/BARRIER	•40129
SS64542	VICTOR	•45093	TAKAA1175B	FORD	48884			40136
		45099			w/455019			w/ OEM ring
SS64542	UAP SEALS	•45093	TAKAA1190A	FORD	39380	TR-1029	MECHNX/BARRIER	•40129
		45099			w/ OEM ring			40136
SS64546	VICTOR	47699	TDAA1175A	FORD	31307			w/ OEM ring
SS64553	VICTOR	43865	TDAA1175A1	FORD	31307	TR-1030	MECHNX/BARRIER	•40129
SS64558	VICTOR	•34384	TDAA1175A3	FORD	31307			40136
		34387	TDAA1175B	FORD	31307			w/ OEM ring
SS64558-1	VICTOR	•34994	TDAA1175C	FORD	31307	TR-11-RK-B	MECHNX/BARRIER	
		35000	TEAN1175C	FORD	•34384			35075
SS64561	VICTOR	31307			34387	TR-11-RK-C	MECHNX/BARRIER	
SS64564	VICTOR	31307	TEAN1175D	FORD	•34384			35075
SS64567	VICTOR	•42673			34387	TR-11-RK-F	MECHNX/BARRIER	
		42672	TGAA1190A	FORD	28820			35075
SS64569	VICTOR	52658	TKG07532	FRUHAUF	1799 ²	TR-11-RK-L	MECHNX/BARRIER	
SS64571	VICTOR	50124	TR-1003	MECHNX/BARRIER	46390			35075
SS645821	VICTOR	48690			w/450208	TR-11-RK-M	MECHNX/BARRIER	
SS64584	VICTOR	•38776	TR-1004	MECHNX/BARRIER	•42627			35075
		38780			42623	TR-11-RK-N	MECHNX/BARRIER	
SS64589	VICTOR	39380	TR-1005	MECHNX/BARRIER	•42627			35075
SS64603	VICTOR	•47692			42623	TR-11-RK-W	MECHNX/BARRIER	
		47697	TR-1006	MECHNX/BARRIER	35075			35075
SS68001	VICTOR	•40129			w/ OEM ring	TR-11-RK-Z	MECHNX/BARRIER	
		40136	TR-1007	MECHNX/BARRIER	•40129			35075
SS68002	VICTOR	•42627			40136	TR-15-RK-D	MECHNX/BARRIER	
		42623	TR-1008	MECHNX/BARRIER	42624			•46300
SS68003	VICTOR	•46300	TR-1009	MECHNX/BARRIER	•43754			46305
		46305			43752	TR-15-RK-H	MECHNX/BARRIER	
SS68004	VICTOR	47690	TR-1011	MECHNX/BARRIER	35075			•46300
SS68005	VICTOR	42624	TR-1012	MECHNX/BARRIER	35075			46305
SS68006	VICTOR	47698	TR-1013	MECHNX/BARRIER	35075	TR-19-RK-D	MECHNX/BARRIER	
SS68008	VICTOR	•46300	TR-1014	MECHNX/BARRIER	35075			•40129
		46305	TR-1015	MECHNX/BARRIER	•46300			40136
		Seal only			46305			w/ OEM ring
SW27020	SYS & ELEC INC	•46300						
		46305						

For in-text symbols, see page 6.

TR-19-RK-E-TUAA1190A

Mfr. no.	Mfr.	Part no.	Mfr. no.	Mfr.	Part no.	Mfr. no.	Mfr.	Part no.
TR-19-RK-E..MECHNX/BARRIER			TR-6-RK-M..MECHNX/BARRIER			TRE-45-RK-B..MECHNX/BARRIER		
.....		•40129		35075		•42627
.....		40136		w/ OEM ring		42623
.....		w/ OEM ring	TR-6-RK-N..MECHNX/BARRIER			TRE-45-RK-FN..MECHNX/BARRIER		
TR-19-RK-E1..MECHNX/BARRIER				35075		•42627
.....		•40129		w/ OEM ring		42623
.....		40136	TR-6-RK-W..MECHNX/BARRIER			TRE-47-RD-E..MECHNX/BARRIER		
.....		w/ OEM ring		35075		•40129
TR-19-RK-F..MECHNX/BARRIER				w/ OEM ring		40136
.....		•40129	TR-6-RK-Z..MECHNX/BARRIER			TRE-47-RK-D..MECHNX/BARRIER		
.....		40136		35075		•40129
.....		w/ OEM ring	TR-7-RK-D..MECHNX/BARRIER				40136
TR-19-RK-G..MECHNX/BARRIER				•40129	TRE-47-RK-E1..MECHNX/BARRIER		
.....		•40129		40136		•40129
.....		40136	TR-7-RK-E..MECHNX/BARRIER				40136
.....		w/ OEM ring		•40129	TRE-47-RK-F..MECHNX/BARRIER		
TR-19-RK-H..MECHNX/BARRIER			TR-7-RK-E1..MECHNX/BARRIER				•40129
.....		•40129		40136		40136
.....		40136	TR-7-RK-F..MECHNX/BARRIER			TRE-47-RK-G..MECHNX/BARRIER		
.....		w/ OEM ring		•40129		•40129
TR19RK-J..MECHNX/BARRIER			TR-7-RK-F..MECHNX/BARRIER				40136
.....		•40129		40136	TRE-47-RK-H..MECHNX/BARRIER		
.....		40136	TR-7-RK-G..MECHNX/BARRIER				•40129
.....		w/ OEM ring		40136		40136
TR-19-RK-K..MECHNX/BARRIER			TR-7-RK-H..MECHNX/BARRIER			TRE-47-RK-J..MECHNX/BARRIER		
.....		•40129		•40129		•40129
.....		40136	TR-7-RK-H..MECHNX/BARRIER				40136
.....		w/ OEM ring		40136	TRE-47-RK-K..MECHNX/BARRIER		
TR-19-RK-O..MECHNX/BARRIER			TR-7-RK-J..MECHNX/BARRIER				•40129
.....		•40129		•40129		40136
.....		40136	TR-7-RK-K..MECHNX/BARRIER			TRE-49-RK-D..MECHNX/BARRIER		
.....		w/ OEM ring		40136		•43754
TR-19-RK-P..MECHNX/BARRIER			TR-7-RK-K..MECHNX/BARRIER				43752
.....		•40129		40136	TRE-49-RK-E1..MECHNX/BARRIER		
.....		40136	TR-7-RK-L..MECHNX/BARRIER				•43754
.....		w/ OEM ring		40136		43752
TR-19-RK-Q..MECHNX/BARRIER			TR-7-RK-O..MECHNX/BARRIER			TRE-49-RK-F..MECHNX/BARRIER		
.....		•40129		•40129		•43754
.....		40136	TR-7-RK-P..MECHNX/BARRIER				43752
.....		w/ OEM ring		40136	TRE-49-RK-G..MECHNX/BARRIER		
TR-26-RK-J..MECHNX/BARRIER			TR-7-RK-Q..MECHNX/BARRIER				•43754
.....		•40129		•40129		43752
.....		40136	TR-7-RK-R..MECHNX/BARRIER			TRE-49-RK-H..MECHNX/BARRIER		
.....		w/ OEM ring		40136		•43754
TR-3-RK-B..MECHNX/BARRIER			TR-8-RK-F..MECHNX/BARRIER				43752
.....		46390		42624	TRE-49-RK-P..MECHNX/BARRIER		
.....		w/450208	TR-8-RK-Q1..MECHNX/BARRIER				•43754
TR-4-RK-B..MECHNX/BARRIER				42624		43752
.....		•42627	TR-8-RK-R..MECHNX/BARRIER			TRE-5045..MECHNX/BARRIER		
.....		42623		42624		•42627
TR-5049..MECHNX/BARRIER			TR-9-RK-D..MECHNX/BARRIER				42623
.....		•43754		•43754	TRE-5047..MECHNX/BARRIER		
.....		43752		43752		•40129
TR-5-RK-FN..MECHNX/BARRIER			TR-9-RK-E1..MECHNX/BARRIER				40136
.....		•42627		43754	TRE-5049..MECHNX/BARRIER		
.....		42623		43752		•43754
TR-6-RK-B..MECHNX/BARRIER			TR-9-RK-F..MECHNX/BARRIER				43752
.....		35075		•43754	TRE-5055..MECHNX/BARRIER		
.....		w/ OEM ring		43752		•46300
TR-6-RK-C..MECHNX/BARRIER			TR-9-RK-G..MECHNX/BARRIER				46305
.....		35075		•43754	TRE-55-RK-D..MECHNX/BARRIER		
.....		w/ OEM ring		43752		•46300
TR-6-RK-F..MECHNX/BARRIER			TR-9-RK-H..MECHNX/BARRIER				46305
.....		35075		•43754	TRE-55-RK-H..MECHNX/BARRIER		
.....		w/ OEM ring		43752		•46300
TR-6-RK-L..MECHNX/BARRIER			TR-9-RK-P..MECHNX/BARRIER			TUAA1175A..FORD.....		43860
.....		35075		•43754	TUAA1190A..FORD.....		•35058
.....		w/ OEM ring		43752		35066

INTERCHANGES

COMPETITOR & MANUFACTURER

SCOTSEAL® TO GREASE SEAL

GREASE SEAL TO SCOTSEAL®

BEARING TO SCOTSEAL®

INTERCHANGES

COMPETITOR & MANUFACTURER

SCOTSEAL® TO GREASE SEAL

GREASE SEAL TO SCOTSEAL®

BEARING TO SCOTSEAL®

Mfr. no.	Mfr.	Part no.	Mfr. no.	Mfr.	Part no.	Mfr. no.	Mfr.	Part no.
TUAY1190A	FORD	•35058	W20HH100	NAVISTAR (IHC)	•34994	X92251	MOT IND	43800
		35066			35000	X92254	MOT IND	43860
TWC32051	FRUHAUF	•46300	W20HH10090	DANA-SPICER	•34994	X92255	MOT IND	43865
		46305			35000	X92256	MOT IND	43875
UNL30035	FRUHAUF	•42627	W22HH102	DANA-SPICER	•47692	X92266	MOT IND	•44916
		42623			47697			44922
UZ0301E0	NOK/FREUD	•40129	W22HH10290	DANA-SPICER	•47692	X92269	MOT IND	44964
		40136			47697	X92272	MOT IND	45010
UZ0302E0	NOK/FREUD	•42627	W597	SHULER	1643 ¹	X92276	MOT IND	•43754
		42623			1743 ²			43752
UZ0303E0	NOK/FREUD	•46300	X80104	MOT IND	1799 ²	X92282	MOT IND	•45093
		46305	X80159	MOT IND	40139			45099
UZ0304E0	NOK/FREUD	•47692	X80160	MOT IND	42625	X92289	MOT IND	45152
		47697	X80169	MOT IND	47483	X92290	MOT IND	•45157
UZ0305E0	NOK/FREUD	•35058	X80183	MOT IND	•42631			45160
		35066			42631	X92292	MOT IND	45162
UZ0306E0	NOK/FREUD	•38776	X85101	MOT IND	1282 ⁴	X92296	MOT IND	•46300
		38780	X91797	MOT IND	27438			46305
UZ0307E0	NOK/FREUD	•45157	X91845	MOT IND	28820	X92298	MOT IND	46390
		45160	X91855	MOT IND	•28759	X92321	MOT IND	•47692
UZ0308E0	NOK/FREUD	•48002			28758			47697
		48000	X91856	MOT IND	28832	X92322	MOT IND	47699
UZ0774-E1	NOK/FREUD	•34384	X91929	MOT IND	31175	X92323	MOT IND	•48002
UZ0847E	NOK/FREUD	•35058	X91937	MOT IND	31244			48000
		35066			w/ OEM ring	X92324	MOT IND	47690
UZ0848E	NOK/FREUD	38750	X91941	MOT IND	31281	X92332	MOT IND	48690
UZ0849E	NOK/FREUD	•38776	X91947	MOT IND	31307	X92336	MOT IND	47698
		38780	X91988	MOT IND	32470	X92338	MOT IND	48794
UZ0850E	NOK/FREUD	•40129	X92033	MOT IND	•34384	X92339	MOT IND	48796
		40136			34387	X92342	MOT IND	48884
UZ0851E	NOK/FREUD	•42627	X92059	MOT IND	•34971	X92356	MOT IND	50124
		42623			34975	X92360	MOT IND	•48002
UZ0852E	NOK/FREUD	•42673	X92061	MOT IND	•34994			48000
		42672			35000	X94816	MOT IND	•39979
UZ0853E	NOK/FREUD	•43754	X92069	MOT IND	35060			39988
		43752			w/ OEM ring	X97272	MOT IND	1702 ¹
UZ0854E	NOK/FREUD	43860	X92071	MOT IND	•35058	X97273	MOT IND	1613 ¹
UZ0855E	NOK/FREUD	•44916			35066			1703 ²
		44922	X92072	MOT IND	35075	X97279	MOT IND	1612 ¹
UZ0856E	NOK/FREUD	•45093	X92073	MOT IND	35072			1711 ²
		45099	X92100	MOT IND	36285	X97281	MOT IND	1715 ²
UZ0857E	NOK/FREUD	•45095	X92102	MOT IND	•35103	X97285	MOT IND	1623 ¹
		45103			35103			1723 ²
UZ0858E	NOK/FREUD	•45157	X92148	MOT IND	38709	X97288	MOT IND	1627 ¹
		45160	X92152	MOT IND	38747			1727 ²
UZ0859E	NOK/FREUD	•46300	X92153	MOT IND	38750	X97293	MOT IND	1733 ²
		46305	X92156	MOT IND	•38776	X97300	MOT IND	1642 ¹
UZ0860E	NOK/FREUD	•48002			38780			1742 ²
		48000	X92162	MOT IND	39380	X97301	MOT IND	1643 ¹
UZ0861E	NOK/FREUD	•47692	X92164	MOT IND	39420			1743 ²
		47697	X92165	MOT IND	39425	X97306	MOT IND	1754 ²
UZ0863E	NOK/FREUD	•43761	X92181	MOT IND	•39979	X97314	MOT IND	1665 ¹
		43764			39988			1765 ²
UZO847E	FRT-LNR	•35058	X92187	MOT IND	40040	X97318	MOT IND	1670 ¹
		35066	X92192	MOT IND	•40091			1770 ²
V116160	VOLVO/GMC/WHITE TRK	1643 ¹			40086	X97326	MOT IND	1787 ²
		1743 ²	X92197	MOT IND	•40129	X97327	MOT IND	1788 ²
VS0116	GREAT DANE	1343 ³			40136	X97329	MOT IND	1691 ¹
W02HH100	DANA-SPICER	•28759	X92229	MOT IND	42550			1790 ²
		28758	X92233	MOT IND	•42627	X97331	MOT IND	1698 ¹
		28758			42623			1798 ²
W02HH10090	DANA-SPICER	•28759	X92234	MOT IND	42624	X97404	MOT IND	31281
		28758	X92237	MOT IND	•42673	X97407	MOT IND	•34384
W04HH100	DANA-SPICER	•43761			42672	X97408	MOT IND	•35058
		43764	X92238	MOT IND	42800			35066
W04HH10090	DANA-SPICER	•43761	X92246	MOT IND	•43754	X97409	MOT IND	•38776
		43764			43752			38780
W1549	GUNITE CORP	•35058	X92248	MOT IND	•43761	X97410	MOT IND	•40129
		35066			43764			40136

For in-text symbols, see page 6.

X97411–YJE009371

Mfr. no.	Mfr.	Part no.	Mfr. no.	Mfr.	Part no.	Mfr. no.	Mfr.	Part no.
X97411..MOT IND		•42627	X97423..MOT IND		•45093	YCH0083X4..FRUHAUF.....		•42627
.....		42623		45099		42623
X97412..MOT IND		•43761	X97424..MOT IND		•42673	YDHO449X49..FRUHAUF.....		1643 ¹
.....		43764		42672		1743 ²
X97413..MOT IND		•44916	X97826..MOT IND		36365	YHC002028..FRUHAUF.....		1733 ²
.....		44922	X97858..MOT IND		•45095	YHC025616..FRUHAUF.....		•42627
X97414..MOT IND		•45095		45103		42623
.....		45103	X97880..MOT IND		52658	YJE009371..FRUHAUF		•42627
X97415..MOT IND		•46300	Y698028..WHT-TRK		•38776		42623
.....		46305		38780			
X97418..MOT IND		•47692	Y714702..WHT-TRK		•40129			
.....		47697		40136			

INTERCHANGES

COMPETITOR & MANUFACTURER

SCOTSEAL® TO GREASE SEAL

GREASE SEAL TO SCOTSEAL®

BEARING TO SCOTSEAL®

Scotseal® to grease seal interchange

INTERCHANGES

COMPETITOR & MANUFACTURER

SCOTSEAL® TO GREASE SEAL

GREASE SEAL TO SCOTSEAL®

BEARING TO SCOTSEAL®

Scotseal	Grease seal	Scotseal	Grease seal
27438	27430	35705	36378
	w/3720 Cup		w/563 Cone
28820	28828	35705	36378
	w/28920 Cup		w/553-X Cup
28820	28828	36285	36382
	w/45220 Cup Thru 7/69		w/HM212011 Cup
28832	28828	38709	38703
	w/45220 Cup From 7/69		w/33462 Cup
28832	28830	38709	38703
	w/39520 Cup		w/42620 Cup
28832	28830	38709	38703
	w/45220 Cup From 7/69		w/47620 Cup
31175	31203	38709	38703
	w/45220 Cup		w/493 Cup
31307	1306	38709	38706
	w/3984 Cone		w/33462 Cup
31307	31299	38709	38706
	w/3920		w/42620 Cup
31307	32710	38709	38706
	w/3920 Cup		w/493 Cup
31307	32710	38747	38745
	w/3984 Cup		w/42620 Cup
32470	32477	38747	38745
	32510		w/47620 Cup
	w/36520 Cup	38747	38745
32470	32564		w/493 Cup
	w/36520 Cup	38750	1214
32470	32449		w/47686 Cone
	w/36520 Cup	38750	1214
34387	1307		w/495-AX Cone
	w/33287 or 33281 Cone	38780	1308
34387	35810		w/582 or 5760 Cone
	w/33462 Cup	38780	38774
34387	34383		w/42620 Cup
	w/33462 Cup	38780	38774
34387	34385		w/47620 Cup
	w/33462 Cup	38780	38774
34975	34885		w/572 Cup
	w/39520 Cup	38780	38774
34975	34885		w/5735 Cup
	w/45220 Cup	38780	38777
35066	35062		w/42620 Cup
	w/HM212011 Cup	38780	38777
35066	35062		w/47620 Cup
	w/39520 Cup	38780	38777
35066	35062		w/572 Cup
	w/553-X Cup	38780	38777
35075	36378		w/5735 Cup
	w/HM212011 Cup	38780	40210
35705	1204		w/42620 Cup
	w/HM210244 Cone	38780	40210
35705	1204		w/47620 Cup
	w/557-A Cone	38780	40210
35705	35093		w/572 Cup
	w/HM212044 Cone	38780	40210
35705	35093		w/5735 Cup
	w/553-X Cup	38780	40360
35705	35093		w/42620 Cup
	w/39412 Cup	38780	40360
35705	35093		w/47620 Cup
	w/563 Cone w/3.312 Sh.	38780	40360
35705	36378		w/572 Cup
	w/39412 Cup	38780	40360
			w/5735 Cup

* Bearing spacer need not be replaced after initial installation.

Scotseal® to grease seal interchange - (cont.)

Scotseal	Grease seal	Scotseal	Grease seal
39380 1322	40040 40035
 w/47620 Cup B4769	 w/6320 Cup
39380 1322	40086 40077
 w/493 Cup B4769	 w/6320 Cup
39380 39385	40086 40078
 w/HM215210 Cup	 w/6320 Cup
39380 39385	40086 40080
 w/47620 Cup B4769	 w/6320 Cup
39380 39385	40086 40082
 w/493 Cup B4769	 w/6320 Cup
39380 39423	42550 w/455024* 41550
 w/HM215210 Cup	 w/33472 Cup
39380 39423	42550 w/455024* 41550
 w/47620 Cup B4769	 w/47620 Cup
39380 39423	42550 w/455024* 41550
 w/493 Cup B4769	 w/493 Cup
39380 39423	42672 42644
 w/6320 Cup	 w/HM516410 Cup
39380 40023	42672 42644
 w/38412 Cup	 w/652 Cup
39380 40036	42672 42650
 w/6320 Cup	 w/652 Cup
39420 39423	43752 43751
 w/493 Cup	 w/JM718110 Cup
39420 1205	43752 43751
 w/495-AX Cone	 w/653 Cup
39420 1219	43764 43762
 w/495-AX Cone	 w/6420 Cup
39420 40350	43764 43762
 w/493 Cup	 w/742 Cup
39425 39423	43764 43760
 w/493 Cup 7/69 On	 w/6420 Cup
39988 w/455031* 39975	43764 43760
 w/633 Cup 7/65 On	 w/742 Cup
39988 w/455031* 39975	44922 44920
 w/HM212011 Cup	 w/HM212011 Cup
39988 w/455031* 39975	44922 44920
 w/633 Cup 7/65 On	 w/H715311 Cup
39988 w/455031* 40049	44922 44920
 w/HM212011 Cup	 w/632 Cup
39988 w/455031* 40049	44964 44967
 w/633 Cup 7/65 On	 w/653 Cup
39988 w/455031* 39980	44964 44967
 w/HM212011 Cup	 w/6535 Cup
39988 w/455031* 39980	44964 44967
 w/633 Cup B4765	 w/742 Cup
39988 w/455031* 39980	44964 44968
 w/633 Cup 7/65 On	 w/653 Cup
39988 w/455031* 39981	44964 44968
 w/HM212011 Cup	 w/6535 Cup
39988 w/455031* 39981	44964 44968
 w/633 Cup B4765	 w/742 Cup
39988 w/455031* 39981	44964 44930
 w/633 Cup 7/65 On	 w/653 Cup
39988 w/455031* 40051	44964 44930
 w/HM212011 Cup B4765	 w/6535 Cup
39988 w/455031* 40051	44964 44930
 w/633 Cup 7/65 On	 w/742 Cup
39988 w/455031* 40052	44964 44975
 w/HM212011 Cup	 w/653 Cup
39988 w/455031* 40052	44964 44975
 w/633 Cup B4765	 w/6535 Cup
39988 w/455031* 40052	44964 44975
 w/633 Cup 7/65 On	 w/742 Cup

* Bearing spacer need not be replaced after initial installation.

Scotseal® to grease seal interchange - (cont.)

Scotseal	Grease seal	Scotseal	Grease seal
45099.....	45066.....	45160.....	45149.....
	w/572 Cup		w/672 Cup
45099.....	46200.....	45160.....	45149.....
	w/572 Cup		w/752 Cup
45099.....	45098.....	45160.....	46331.....
	w/572 Cup		w/592 Cup
45099.....	46211.....	45160.....	46331.....
	w/572 Cup		w/592-A Cup
45160.....	45150.....	45160.....	46331.....
	w/572 Cup		w/652 Cup
45160.....	45150.....	45160.....	46331.....
	w/592-A Cup		w/752 Cup
45160.....	45150.....	47697 or 47698.....	1211.....
	w/592 Cup		w/594-A or 598-A Cone
45160.....	45150.....	47697 or 47698.....	1215.....
	w/652 Cup		w/594, A or 598, A Cone
45160.....	45150.....	47697 or 47698.....	50640.....
	w/752 Cup		w/592-A Cup
45160.....	46324.....	47699.....	1213.....
	w/572 Cup		w/681-A Cone
45160.....	46324.....	47699.....	1216.....
	w/592-A Cup		w/681-A Cone
45160.....	46324.....	47699.....	50670.....
	w/592 Cup		w/681-A Cone
45160.....	46324.....	48690.....	48693.....
	w/652 Cup		w/6535 Cup
45160.....	46324.....	48690.....	48700.....
	w/752 Cup		w/6535 Cup
45160.....	45115.....	48690.....	48701.....
	w/572 Cup		w/6535 Cup
45160.....	45115.....	48794.....	48883.....
	w/592 Cup		w/752 Cup
45160.....	45115.....	48884 w/455019*.....	1212.....
	w/592-A Cup		w/758759 or 760 Cone
45160.....	45115.....	48884.....	50148.....
	w/652 Cup		w/752 Cup
45160.....	45115.....	48884.....	50150.....
	w/752 Cup		w/752 Cup
45160.....	45149.....	50124.....	49966.....
	w/572 Cup		w/HM516410 Cup
45160.....	45149.....	50124.....	49966.....
	w/592 Cup		w/652 Cup
45160.....	45149.....	50124.....	49966.....
	w/592-A Cup		w/772 Cup

* Bearing spacer need not be replaced after initial installation.

INTERCHANGES

COMPETITOR & MANUFACTURER

SCOTSEAL® TO GREASE SEAL

GREASE SEAL TO SCOTSEAL®

BEARING TO SCOTSEAL®

Grease seal to Scotseal® interchange

Grease seal	Scotseal	Grease seal	Scotseal		
1204.....	w/HM210244 Cone.....	35705	38774.....	w/5735 Cup.....	38780
1204.....	w/557-A Cup.....	35705	38777.....	w/42620 Cup.....	38780
1205.....	w/495-AX Cone.....	39420	38777.....	w/47620 Cup.....	38780
1211.....	w/594-A or 598-A Cone.....	47697	38777.....	w/572 Cup.....	38780
	or 47698	38777.....	w/5735 Cup.....	38780
1212.....	w/758759 or 760 Cone.....	48884	39385.....	w/HM215210 Cup.....	39380
	w/455019*	39385.....	w/47620 Cup B4769.....	39380
1213.....	w/681-A Cone.....	47699	39385.....	w/493 Cup B4769.....	39380
1214.....	w/47686 Cone.....	38750	39423.....	w/6320 Cup.....	39380
1214.....	w/495-AX Cone.....	38750	39423.....	w/HM215210 Cup.....	39380
1215.....	w/594-A or 598-A Cone.....	47697	39423.....	w/47620 Cup B4769.....	39380
	or 47698	39423.....	w/493 Cup B4769.....	39380
1216.....	w/681-A Cone.....	47699	39423.....	w/493 Cup 7/69 On.....	39425
1219.....	w/495-AX Cone.....	39420	39975.....	w/HM212011 Cup.....	39988
1306.....	w/3984 Cone.....	31307		w/455031*
1307.....	w/33287 or 33281 Cone.....	34387	39975.....	w/633 Cup 7/65 On.....	39988
1308.....	w/582 or 5760 Cone.....	38780		w/455031*
1322.....	w/47620 Cup B4769.....	39380	39980.....	w/HM212011 Cup.....	39988
1322.....	w/493 Cup B4769.....	39380		w/455031
27430.....	w/3720 Cup.....	27438	39980.....	w/633 Cup B4765.....	39988
28828.....	w/28920 Cup.....	28820		w/455031
28828.....	w/45220 Cup From 7/69.....	28832	39980.....	w/633 Cup 7/65 On.....	39988
28828.....	w/45220 Cup Thru 7/69.....	28820		w/455031
28830.....	w/39520 Cup.....	28832	39981.....	w/HM212011 Cup.....	39988
28830.....	w/45220 Cup From 7/69.....	28832		w/455031
31203.....	w/45220 Cup.....	31175	39981.....	w/633 Cup B4765.....	39988
31299.....	w/3920 Cup.....	31307		w/455031
32449.....	w/36520 Cup.....	32470	39981.....	w/633 Cup 7/65 On.....	39988
32510.....	w/36520 Cup.....	32470		w/455031
32564.....	w.36520 Cup.....	32470	40023.....	w/6320 Cup.....	39380
32710.....	w/3920 Cup.....	31307	40036.....	w/6320 Cup.....	39380
32710.....	w/3984 Cup.....	31307	40049.....	w/633 Cup B4765.....	39988
34383.....	w/33462 Cup.....	34387		w/455031
34385.....	w/33462 Cup.....	34387	40049.....	w/HM212011 Cup.....	39988
34885.....	w/45220 Cup.....	34975		w/455031*
35062.....	w/HM212011 Cup.....	35066	40049.....	w/633 Cup 7/65 On.....	39988
35062.....	w/39520 Cup.....	35066		w/455031*
35062.....	w/553-X Cup.....	35066	40051.....	w/HM212011 Cup.....	39988
35093.....	w/HM2102044 Cone.....	35705		w/455031
35093.....	w/39412 Cup.....	35705	40051.....	w/633 Cup B4765.....	39988
35093.....	w/553-X Cup.....	35705		w/455031
35093.....	w/563 Cone 3.312 Sh.....	35705	40051.....	w/633 Cup 7/65 On.....	39988
35810.....	w/33462 Cup.....	34387		w/455031
36378.....	w/36412 Cup.....	35705	40052.....	w/HM212011 Cup.....	39988
36378.....	w/553-X Cup.....	35705		w/455031
36378.....	w/563 Cone.....	35705	40052.....	w/633 Cup B4765.....	39988
36382.....	w/HM212011 Cup.....	36285		w/455031
38703.....	w/33462 Cup.....	38709	40052.....	w/633 Cup 7/65 On.....	39988
38703.....	w/42620 Cup.....	38709		w/455031
38703.....	w/47620 Cup.....	38709	40077.....	w/6320 Cup.....	40086
38703.....	w/493 Cup.....	38709	40078.....	w/6320 Cup.....	40086
38706.....	w/33462 Cup.....	38709	40080.....	w/6320 Cup.....	40086
38706.....	w/42620 Cup.....	38709	40082.....	w/6320 Cup.....	40086
38706.....	w/47620 Cup.....	38709	40210.....	w/42620 Cup.....	38780
38706.....	w/493 Cup.....	38709	40210.....	w/47620 Cup.....	38780
38745.....	w/42620 Cup.....	38747	40210.....	w/572 Cup.....	38780
38745.....	w/47620 Cup.....	38747	40210.....	w/5735 Cup.....	38780
38745.....	w/493 Cup.....	38747	40350.....	w/493 Cup.....	39420
38774.....	w/42620 Cup.....	38780	40360.....	w/42620 Cup.....	38780
38774.....	w/47620 Cup.....	38780	40360.....	w/47620 Cup.....	38780
38774.....	w/572 Cup.....	38780	40360.....	w/572 Cup.....	38780
			40360.....	w/5735 Cup.....	38780

* Bearing spacer need not be replaced after initial installation.

Grease seal to Scotseal® interchange - (cont.)

Grease seal	Scotseal	Grease seal	Scotseal
41550..... w/33472 Cup	42550	45149..... w/572 Cup	45160
	.w/455024*	45149..... w/592-A Cup	45160
41550..... w/47620 Cup	42550	45149..... w/592 Cup	45160
	.w/455024*	45149..... w/652 Cup	45160
41550..... w/493 Cup	42550	45149..... w/752 Cup	45160
	.w/455024*	45150..... w/572 Cup	45160
42644..... w/HM516410 Cup	42672	45150..... w/592-A Cup	45160
42644..... w/652 Cup	42672	45150..... w/592 Cup	45160
42650..... w/652 Cup	42672	45150..... w/652 Cup	45160
43751..... w/JM718110 Cup	43752	45150..... w/752 Cup	45160
43751..... w/653 Cup	43752	45701..... w/6535 Cup	48690
43760..... w/6420 Cup	63764	46200..... w/572 Cup	45099
43760..... w/742 Cup	43764	46211..... w/572 Cup	45099
43762..... w/6420 Cup	43764	46324..... w/572 Cup	45160
43762..... w/742 Cup	43764	46324..... w/592-A Cup	45160
44920..... w/HM212011 Cup	44922	46324..... w/592 Cup	45160
44920..... w/H715311 Cup	44922	46324..... w/652 Cup	45160
44920..... w/632 Cup	44922	46324..... w/752 Cup	45160
44930..... w/653 Cup	44964	46331..... w/592-A Cup	45160
44930..... w/6535 Cup	44964	46331..... w/592 Cup	45160
44930..... w/742 Cup	44964	46331..... w/652 Cup	45160
44967..... w/653 Cup	44964	46331..... w/752 Cup	45160
44967..... w/6535 Cup	44964	48693..... w/6535 Cup	48690
44967..... w/742 Cup	44964	48700..... w/6535 Cup	48690
44968..... w/653 Cup	44964	48883..... w/752 Cup	48794
44968..... w/6535 Cup	44964	49966..... w/HM516410 Cup	50124
44968..... w/742 Cup	44964	49966..... w/652 Cup	50124
44975..... w/653 Cup	44964	49966..... w/772 Cup	50124
45098..... w/572 Cup	45099	50148..... w/752 Cup	48884
45115..... w/572 Cup	45160	50150..... w/752 Cup	48884
45115..... w/592 Cup	45160	50640..... w/592-A Cup	47697
45115..... w/592-A Cup	45160		or 47698
45115..... w/652 Cup	45160	50670..... w/672-A Cup	47699
45115..... w/572 Cup	45160		

* Bearing spacer need not be replaced after initial installation.

INTERCHANGES

COMPETITOR & MANUFACTURER

SCOTSEAL® TO GREASE SEAL

GREASE SEAL TO SCOTSEAL®

BEARING TO SCOTSEAL®

Bearing to Scotseal® interchange

Inner Cone/ Cup	Outer Cone/ Cup	Scotseal(s)
BR28995/ BR28920	BR25580/ BR25523	28820
BR33281/ BR33462	BR39585/ BR39520	34387, 35000
	BR3982/ BR3920	34387
BR33287/ BR33462	BR39585/ BR39520	35000
	BR3982/ BR3920	34387, 38750, 39380, 39420
	BR3982/ BR3925	42550
BR33891/ BR33821	BR3196/ BR3120	27438
BR33895/ BR33821	BR3196/ BR3120	27438
BR39250/ BR39412	BR4395 ¹ / BR4335 ¹	35075
BR39581/ BR39520	BR26878/ BR26820	32470, 35066
	BR3585/ BR3525	34975, 35066
BR3982/ BR3920	BR3877/ BR3820	36365
BR3984/ BR3920	BR28682/ BR28622	31307
	BR462/453-X	31307, 32470
BR42688/ BR42620	BR39585/ BR39520	38709
	BR39590/ BR39520	38709
BR45284/ BR45220	BR25877/ BR25820	28832
	BR25880/ BR25820	28820, 28832
	BR2780/ BR2720	28820, 34975
	BR2796/ BR2720	31175
	BR3585/ BR3525	34975
	BR418/414-A ¹	31244
BR47678/ BR47620	BR39585/ BR39520	38747, 38780

Inner Cone/ Cup	Outer Cone/ Cup	Scotseal(s)
BR47686/ BR47620	BR39590/ BR39520	38750
BR47686/ BR47620	BR39585/ BR39520	38780
	BR39590/ BR39520	38750, 38780, 42550
BR497/ BR493	N/A	39380
BR52400/ BR52618	BR68462/ BR68712	46305
BR539/532-A	N/A	32470
BR559/552-A	BR526 ¹ / BR522	36365
BR560/552-A	BR39580/ BR39520	36365
BR567/ BR563	BR528/BR522	35075
BR568/ BR563	BR749/472-A	39380
BR575/ BR572	BR567/BR563	40136
	BR575/BR572	40136
BR5760/ BR5735	BR45287/ BR45220	43800
	BR575/BR572	38780
BR580/ BR572	BR479 ¹ /472-A	40136
	BR560/553-X	40136
	BR567/BR563	45099
	BR575/BR572	40139
	BR657/BR563	40136
BR582/ BR572	BR42687/ BR42620	38780/42800
	BR42688/ BR42620	42800
	BR462/453-X	31307
	BR567/BR563	45099
BR593/592-A	HH506348/ HH506310	42623, 46390
BR594/592-A	BR575/BR572	43875, 47697
	BR580/BR572	45152, 45160, 47697
BR595/592-A	BR580/BR572	43860, 45160
	BR582/BR572	43860

¹No longer available—reference only

Bearing to Scotseal® interchange - (cont.)

Inner Cone/ Cup	Outer Cone/ Cup	Scotseal(s)
BR598/592-A	BR575/BR572	43860, 43875, 47697, 47698
	BR580/BR572	43860, 43875, 47697, 47698
	BR582/BR572	43860
	BR665/BR653	43860, 43865
	BR749/BR742	43860
	BR758 ¹ / BR752	43865
	HM617049/ HM617010	43865
BR6379/ BR6320	557-S/552-A	40086
BR6386/ BR6320	BR537/532-A	39380
	557-S/552-A	40086
BR6389/ BR6320	BR537/532-A	39380
BR639/ BR633	BR65385/ BR65320	39988
BR641/ BR632	BR28682/ BR28622	44922, 45103
	BR3979/ BR3920	44922
BR641/ BR633	BR45280/ BR45220	39988
	BR65385/ BR65320	39988
BR6461/ BR6420	BR621/612 ¹	43800
BR6535	BR663/BR653	44964
BR6580/ BR6535	BR663/BR653	48690
BR653	BR42687/ BR42620	42800
BR663/ BR652	BR575/BR572	42672, 50124
BR663/ BR653	BR560/553-X	40136
	BR567/BR653	44964
	BR580/BR572	44964
	BR663/BR653	44964
	HM212049/ HM212011	40136, 43752, 45099
BR665/ BR652	BR663/BR652	42672

Inner Cone/ Cup	Outer Cone/ Cup	Scotseal(s)
BR665/ BR653	BR567/BR563	44964
BR687/ BR672	BR47890/ BR47820	48690
	BR77375 ¹ / BR77675 ¹	50124, 52658
BR749/ BR742	N/A	43764
	BR643/BR632	42624
	BR663/BR653	44964
BR752	BR665/BR653	48884
BR759/ BR752	BR664 ¹ / BR652	45160
	BR740/BR742	45162
	BR749/BR742	48884
BR760/ BR752	BR749/BR742	47690, 48884, 50124
BR780/ BR772	BR776/BR772	50124, 52658
HM212044/ HM212011	BR3782/ BR3720	35066, 35075
HM212046/ HM212011	BR3583 ¹ / BR3525	35060
HM212047/ HM212011	BR3779/ BR3720	36285
	BR3782/ BR2720	35066
	BR3782/ BR3720	35066
	BR45282/ BR45220	36285, 36358
	BR28682/ BR28622	44922
HM212049/ HM212011	BR3782/ BR3720	35066, 36285
	BR45280/ BR45220	39988
	BR3782/ BR3720	35072
HM215249 ¹ / HM215210 ¹	N/A	39380
HM218248/ HM218210	BR42687/ BR42620	45162
	HM212049/ HM212011	46305

¹No longer available—reference only

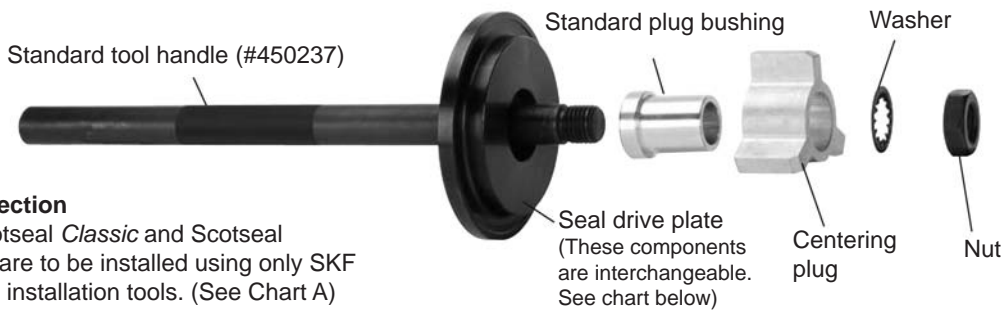
Bearing to Scotseal® interchange - (cont.)

Inner Cone/ Cup	Outer Cone/ Cup	Scotseal(s)
HM516449-C/ HM516410	BR47679/ BR47620	42672, 50124
HM518445/ HM518410	HM518445/ HM518410	42623
H715345/ H715311	N/A	44922
	BR28682/ BR28622	45103
	BR3979/ BR3920	44922, 45103
JM205149-A/ JM205110	BR25877/ BR25820	28758
JM207049-A/ JM207010	BR25877/ BR25820	28758
JM511946/ JM511910	JM205149-A/ JM205110	31281
JM718149/ JM718110	HM212049/ HM212011	43752, 45099
JM719149/ JM719113	N/A	46305
495-AX/ BR493	BR39590/ BR39520	38750, 38780, 39380, 39420, 39425, 42550
	BR39590/ BR39521	42550
	BR3984/ BR3920	39380, 42800
	BR749/BR742	39380
555-S/552-A	BR526 ¹ / BR522	36365
557-A/553-X	BR3782/ BR3720	35066, 35075

Inner Cone/ Cup	Outer Cone/ Cup	Scotseal(s)
594-A/592-A	BR575/BR572	47690,
	BR580/BR572	45160, 47690, 47697, 47698, 48000
598-A/592-A	BR575/BR572	38780, 43860, 43875, 47697
	BR580/BR572	45160, 47690, 47697, 47698, 48000, 48884
	BR758 ¹ / BR752	48000
	HM617049/ HM617010	48000
6386-A/ BR6320	BR537/532-A	40040
6461-A/ BR6420	BR3979/ BR3920	43764
	555-S/552-A	43764
663-A/BR653	BR42687/ BR42620	42800
	HM212049/ HM212011	40139
665-A/BR653	HM212049/ HM212011	40139, 43752, 45099
681-A/BR672	BR580/BR572	47697, 47699
749-A/BR742	BR663/BR653	44964
756-A/BR752	HM212046/ HM212011	48794,
	HM212047/ HM212011	48794, 48796

¹No longer available—reference only

Scotseal® installation tooling guide



Tool selection

SKF Scotseal *Classic* and Scotseal *Longlife* are to be installed using only SKF Scotseal installation tools. (See Chart A)

Centering the seal

Precisely matched centering plugs are engineered to fit within the inside diameter of the inner bearing cone and allow accurate centering of the Scotseal in the bore of the hub, as well as preventing cocking of the seal. Chart B on the next page provides correct matchup of bearing cone and centering plug.

Chart A

Drive plates & seal matchups

(Drive plates in bold numbers with matching seal numbers)

427	445	452	472
34387	39420	42623	39380
36285	39425	42624	(w/disc brks.)
36358	42550	42631	
36365	42672		474
	42800	457	52658
428		40040	
31175	446	40136	484
31244	43860	40139	44922
31281	43865		44964
31307	43875	461	45010
32470	46390	45152	45099
	47483	45160	45103
435	48690	45162	
47690	48794		
47693	48796	462	
47697	48884	38747	
47698	50124	38750	
48000		38780	
	448		
436	38709	463	
34975	39988	27438	
35000		28758	
35060	449	28820	
35066	47686	28832	
35072			
35075	451	465	
35103	46305	43752	
	46308	43764	
441		43800	
40086			

Scotseal® installation tooling guide - (cont.)

Chart B
Matchup of bearing cones & centering plugs

Bearing cone no.	Centering plug no.	Bearing cone no.	Centering plug no.	Bearing cone no.	Centering plug no.
495-AX	708	BR687	718	BR39585	704
BR497	711	BR749	719	BR42688	708
BR539	701	749-A	710	BR45284	700
555-S	702	749-S	719	BR45285	700
557-A	703	756-A	709	BR47678	708
BR559	704	BR759	712	BR47686	710
BR560	706	BR760	717	BR47687	710
BR567	707	BR776	715	BR52400	718
BR568	731	BR780	718	BR52401	718
BR575	708	BR3778	730	JH217249	719
BR580	710	BR3982	704	JM205149-A	722
BR582	710	BR3984	706	JM207049-A	723
BR593	712	BR4595	701	JM511946	724
BR594	715	BR5760	708	JM716649	719
594-A	715	BR6379	705	JM718149	713
BR595	710	BR6386	706	JM719149	733
BR596	711	6386-A	706	HM212044	703
BR598	714	BR6389	706	HM212046	704
598-A	714	BR6461	708	HM212047	704
BR639	704	6461-A	708	HM212049-X	706
BR641	706	BR6580	712	HM212049	706
BR663	710	BR28995	703	HM215249 ¹	707
663-A	710	BR33281	716	HM218248	713
BR665	711	BR33287	707	HM516449	710
665-A	711	BR33895	701	HM518445	712
681-A	714	BR39580	702	H715345	716
BR683	715	BR39581	702		

¹No longer available—reference only

Scotseal® Classic & Longlife installation tool chart

Scotseal No.	Inner bearing cone no.	Centering tool	Drive tool	Scotseal No.	Inner bearing cone no.	Centering tool	Drive tool	
27438	BR3778	730	463	35075	557-A	703	436	
	BR33891	700	463		BR567	707	436	
	BR33895	701	463		BR39250	704	436	
28758	BR25877	722	463		HM212044	703	436	
	JM205149-A	722	463	35103	557-A	703	436	
	JM207049-A	723	463		BR39581	702	436	
28820	BR28995	703	463		HM212044	703	436	
	BR45284	700	463		HM212047	704	436	
28832	BR45284	700	463	HM212049	706	436		
31175	BR45284	700	428	36285	HM212047	704	427	
31244	BR539	701	428		HM212049	706	427	
	BR4595	701	428		HM212049-X	706	427	
31281	JM511946	724	428	36358	BR3982	704	427	
31307	BR582	710	428		HM212047	704	427	
	32470	BR3984	706	428	36365	555-S	702	427
BR539		701	428	BR559		704	427	
BR3984		706	428	BR560		706	427	
34387	BR39581	702	428	BR3982		704	427	
	BR33281	716	427	HM212047	704	427		
	BR33287	707	427	38709	BR42688	708	448	
34975	BR39581	702	436		38747	BR47686	710	462
	BR45284	700	436			BR6386	706	462
35000	BR33281	716	436	BR47678		708	462	
	BR33287	707	436	38750	495-AX	708	462	
35060	HM212046	704	436		BR566	710	462	
35066	557-A	703	436		BR33287	707	462	
	BR39581	702	436		BR47686	710	462	
	HM212044	703	436	BR47687	710	462		
	HM212047	704	436	38780	495-AX	708	462	
	HM212049	706	436		BR566	710	462	
35072	557-A	703	436		BR582	710	462	
	BR39581	702	436		BR598	714	462	
	HM212044	703	436		594-A	714	462	
	HM212047	704	436	598-A	714	462		
	HM212049	706	436	38780	BR5760	708	462	
	HM212049-X	706	436		BR47678	708	462	
			BR47686		710	462		

¹No longer available—reference only ²629 spacer not required

Scotseal® Classic & Longlife installation tool chart - (cont.)

Scotseal No.	Inner bearing cone no.	Centering tool	Drive tool	Scotseal No.	Inner bearing cone no.	Centering tool	Drive tool	
39380	495-AX	708	445	42623	BR593	712	452	
	BR497	711	445		BR749	719	452	
	BR568	713	445		HM518445	712	452	
	39420	663-A	710	445	42624	BR593	712	452
		BR6386	706	445		BR749	719	452
		BR6389	706	445		HM518445	712	452
		BR33287	707	445	42631	BR593	712	452
		HM215249 ¹	707	445		BR749	719	452
				HM518445		712	452	
39425	495-AX	708	445	42672	BR663	710	445	
	BR33287	707	445		BR665	710	445	
	BR47686	710	445		HM516449-A	710	445	
			HM516449-C		710	445		
39988	495-AX	708	445	42800	495-AX	708	445	
	BR639	704	448		BR582	710	445	
	BR641	706	448		598-A	714	445	
	BR42688	708	448		BR659 ¹	708	445	
HM212049	706	448	663-A		710	445		
40040	BR6375 ¹	702	457	43752	BR663	710	465	
	6386-A	706	457		665-A	711	465	
40086	BR6379	705	441		JM718149	713	465	
	BR6386	706	441	43764	BR749	719	465	
	BR6389	706	441		6461-A	708	465	
40136	BR575	708	457	43800	BR5760	708	465	
	BR580	710	457		BR6461	708	465	
	BR663	710	457	43860	594-A	715	446	
	BR33281	716	457		BR595	710	446	
	665-A	711	457		BR598	714	446	
40139	BR575	708	457		598-A	714	446	
	BR580	710	457		BR663	710	446	
	BR663	710	457	BR749	719	446		
	665-A	711	457	43865	BR598	714	446	
	BR33281	716	457		43875	BR594	715	446
42550	495-AX	708	445	BR598		714	446	
	BR33287	707	445	598-A		714	446	
	BR47686	710	445					

¹No longer available—reference only ²629 spacer not required

Scotseal® Classic & Longlife installation tool chart - (cont.)

Scotseal No.	Inner bearing cone no.	Centering tool	Drive tool
44922	BR641	706	484
	HM212049	706	484
	H715345	716	484
44964	BR663	710	484
	BR665	711	484
	BR749	719	452
	749-A	710	484
	BR6559 ¹	710	484
45010	BR6559 ¹	710	484
45099	BR580	710	484
	BR582	710	484
45103	BR641	706	484
	H715345	716	484
45152	BR594	715	461
45160	BR594	715	461
	594-A	715	461
	BR595	710	461
	BR598	715	461
	598-A	714	461
	BR663	710	461
	BR759	712	461
	BR760	717	461
45162	BR759	712	461
	HM218248	713	461
46305	BR52400	718	451
	HM218248	713	451
	JM719149	733	451
46308	BR52400	718	451
	HM218248	713	451
	JM719149	733	451
46390	BR593	712	446
47483	BR594	715	446
	594-A	715	446

Scotseal No.	Inner bearing cone no.	Centering tool	Drive tool
47690	594-A	715	435
	598-A	714	435
	BR760	717	435
47693	BR594	715	435
	594-A	715	435
	BR598	714	435
	598-A	714	435
	681-A	714	435
	BR760	710	435
	BR6580	712	435
	BR6580	712	435
47697	BR594	715	435
	594-A	715	435
	BR598	714	435
	598-A	714	435
	681-A	714	435
	BR760	710	435
47698	BR6580	712	435
	594-A	715	435
	BR598	714	435
	598-A	714	435
	681-A	714	435
	BR760	710	435
	BR6580	712	435
	BR6580	712	435
47699	681-A	714	449
	BR683	715	449
	683-XA	715	449
48000	594-A	715	435
	598-A	714	435
	BR758 ¹	711	446
	BR759	712	446
	BR760	717	446
48690	BR52401	718	446
	BR595	710	446
	BR687	718	446
	BR6580	712	446

¹No longer available—reference only ²629 spacer not required

SCOTSEAL® CLASSIC & LONGLIFE
 SCOTSEAL® TOOLING
 SCOTSEAL® FAMILY
 HUBCAP INTERCHANGE
 TAPERED BEARING SETS

Scotseal® Classic & Longlife installation tool chart - (cont.)

Scotseal No.	Inner bearing cone no.	Centering tool	Drive tool	Scotseal No.	Inner bearing cone no.	Centering tool	Drive tool
48794	756-A	709	446	50124	BR663	710	446
48796	756-A	709	446		BR687	718	446
48884	598-A	714	446		BR760	710	446
	BR758 ¹	711	446		BR780	718	446
48884	BR759	712	446	52658	BR687	718	474
	BR760	717	446		BR780	718	474

¹No longer available-reference only

²629 spacer not required

Scotseal® family interchange

Scotseal Classic	Scotseal Longlife	Scotseal PlusXL	National	National 5 star	Stemco Guard./G.G. whl. sets	Stemco (seal w/ring)	Stemco Voyager	Eaton Outrunner
-	-	23590	370199A	-	-	-	383-0175	-
28758	-	28759	370150A	-	308-0866	(2164/1008)	383-0166	-
-	-	29480	370211A	-	-	-	383-0176	-
34387	-	34384	370047A	-	309-0935	(2728/1728)	-	-
					392-9035	(2057/1062)	-	-
34975	-	34971	370132A	-	308-0863	(2721/1721)	-	-
					382-8063	(2133/1036)	-	-
35000	-	34994	370169A	-	392-9036	(2057/1063)	-	-
35066	35103	35058	370001A	380001A	308-0836	(2702/1702)	383-0136	847
					382-8036	(2036/1036)		
36358/	-	-	370011A	-	382-8071	(2216/1034)	383-0171	-
36365	-	-	-	-	-	-	-	-
38750	-	-	370024A	-	309-0915	(2102/1091)	393-0118	848
					392-9099	(2102/1501)		
38780	-	38776	370023A	380023A	309-0912	(2707/1707)	393-0112	849
					392-9099	(2102/1501)		
						(2102/1091)		
-	-	39426 ¹	-	-	-	-	-	-
39988	-	39979	370033A/	-	382-8039	(2039/1038)	383-0139	-
w/456301		w/456301	w/AR-12		382-8023	(2039/1011)		
40086	-	40091	370066A	-	382-8001	(2086/1013)	383-0101	-
40136	-	40129	370349A/	380036A	307-0713	(2704/1704)	373-0113	850
			370036A		372-7098	(2109/1507)		
						(2109/1013)		
42623	42631	42627	376590A/	380065A	307-0723	(2705/1705)	373-0123	851
			370065A		372-7099	(2023/1503)		
						(2023/1023)		
42672	-	42673	370031A	380031A	309-0904/	(2718/1705)	393-0104	852
					392-9090	(2132/1515)		
43752	-	43754	370338A/	-	307-0744	(2709/1709)	-	853
			370037A		372-7095	(2118/1510)		
						(2118/1037)		
43764	-	43761	370182A/	380048A	308-0864	(2711/1711)	383-0164	-
			370048A		382-8064	(2137/1037)		
43860	-	-	370019A	-	309-0965	(2713/1713)	-	854
					392-9096	(2114/1508)		
44922	-	44916	370124A	-	308-0853	(2708/1708)	383-0153	855
					382-8053	(2181/1093)		
44964/45010	-	-	370178A	-	392-9033	(2058/1093)	-	-
45099	-	45093	370022A	380022A	309-0903	(2706/1706)	393-0103	856
					392-9094	(2129/1511)		
						(2129/1093)		

*Guard. (Guardian) / G.G. (Grit Guard) **ABS Version ¹Plus Design

Scotseal® family interchange - (cont.)

Scotseal Classic	Scotseal Longlife	Scotseal PlusXL	National	National 5 star	Stemco Guard./G.G. whl. sets	Stemco (seal w/ring)	Stemco Voyager	Eaton Outrunner
45103	-	45095	370131A	380131A	308-0855	(2710/1710)	383-0156	857
					308-0856	(2710/1706)		
					382-8056	(2199/1093)		
45160	-	45157	370021A	-	309-0964	(2712/1712)	-	858
					392-9088	(2113/1517)		
						(2113/1093)		
46305	46308	46300	370025A	380025A	307-0743	(2701/1701)	373-0143	859
					372-7097	(2110/1504)		
						(2110/1048)		
47697	47693	47692/ 47691**	370003A	380003A	309-0973	(2703/1703)	393-0173	861
					392-9098	(2106/1502)		
						(2106/1111)		
48000	-	48002	370005A/ 370173A	-	309-0960	(2717/1761)	-	860
					392-9081	(2009/1079)		
48690	-	-	370195A	-	392-9054	-	-	-

*Guard. (Guardian) / G.G. (Grit Guard) **ABS Version ¹Plus Design

K
C
-
C
O

R
E
P
L
A
C
E
M
E
N
T
S

SCOTSEAL®
TOOLING

SCOTSEAL®
FAMILY

HUBCAP
INTERCHANGE

TAPERED
BEARING SETS

Scotseal® family popular applications

Scotseal Classic	Scotseal Longlife	Scotseal PlusXL	Application	
-	-	23590	Front Axle	GMC, Isuzu
28758	-	28759	Front Axle	Arvin Meritor/Rockwell, Dexter, International, Spicer
-	-	29480	Front Axle	GMC, Isuzu
34387	-	34384	Drive Axle	Ford, Navistar, Arvin Meritor/Rockwell, Eaton
34975	-	34971	Front Axle	Ford, Arvin Meritor/Rockwell
35000	-	34994	Drive Axle	Eaton, Navistar
35066	35103	35058	Front Axle	Ford, Navistar, Arvin Meritor/Rockwell, Kenworth, Peterbilt, Freightliner, Volvo-White
36358/36365	-	-	Front Axle	GMC, Mack
38750	-	38746	Drive Axle	Eaton, GMC (Incl. Chevrolet), Arvin Meritor/Rockwell, Dana, Spicer
38780	-	38779	Drive Axle	Ford, Navistar, Arvin Meritor/Rockwell, Eaton, Volvo-White
-	-	39426*	Front Axle	Volvo-White
39988 w/456301	-	39979 w/456301	Front Axle	Mack
40086	-	40091	Front Axle	Arvin Meritor/Rockwell
40136	-	40129	Trailer Axle	Dana Spicer, Arvin Meritor/Rocwell, Eaton, Standard Forge
42623	42631	42627	Trailer Axle (Pro-Par)	Fruehauf, Arvin Meritor/Rockwell (TP Series)
42672	-	42673	Drive Axle	Mack
43752	-	43754	Trailer Axle	Arvin Meritor/Rockwell, Eaton
43764	-	43761	Front Axle	Ford, Navistar, Kenworth, Arvin Meritor/Rockwell, Volvo-White, Mack, GMC
43860	-	-	Drive Axle	Eaton, Ford, GMC, Navistar, Arvin Meritor/Rockwell, Volvo-White
44922	-	44916	Front Axle	Navistar
44964/45010	-	-	Drive Axle	GMC Coach, Arvin Meritor/Rockwell
45099	-	45093	Drive Axle	Mack
45103	-	45095	Front Axle	Navistar
45160	-	45157	Drive Axle	Eaton, Ford, GMC, Navistar, Arvin Meritor/Rockwell
46305	46308	46300	Trailer Axle	Dana Spicer, Arvin Meritor/Rocwell, Eaton, Standard Forge
47697	47693	47692/ 47691**	Drive Axle (38,000#)	Ford, Navistar, Arvin Meritor/Rockwell, Eaton, Kenworth, Peterbilt, Freightliner, Volvo-White
48000	-	48002	Drive Axle	Mack, GMC

* Scotseal Plus Design

** Narrow ABS Version

Tapered bearing sets

Standard bearing sets

Set no.	Cone	Cup	Timken no.	BCA/FM no.	Stemco no.
SET401	BR580	BR572	SET401	HD206	SET580-72
SET402	BR582	BR572	SET402	HD211	SET582-72
SET403	594-A	592-A	SET403	HD203	SET594A-92A
SET404	598-A	592-A	SET404	HD204	SET598A-92A
SET405	BR663	BR653	SET405	HD207	SET663-53
SET406	BR3782	BR3720	SET406	HD205	SET3782-20
SET407	BR28682	BR28622	SET407	HD213	SET28682-22
SET408	BR39590	BR39520	SET408	HD210	SET39590-20
SET409	BR45280	BR45220	SET409	HD219	SET45280-20
SET410	BR45284	BR45220	SET410		SET25284-20
SET411	BR47686	BR47620	SET411	HD209	SET47686-20
SET412	HM212047	HM212011	SET412	HD202	SET047-011
SET413	HM212049	HM212011	SET413	HD200	SET049-011
SET414	HM218248	HM218210	SET414	HD201	SET248-210
SET415	HM518445	HM518410	SET415	HD208	SET445-410
SET420	H715345	H715311	SET420		
SET421	HM516449-A	HM516410	SET421	HD214	
SET422	HM516449-C	HM516410	SET422	HD212	
SET423	6461-A	BR6420	SET423	HD218	
SET424	555-S	552-A	SET424	HD217	
SET425	BR567	BR563	SET425	HD216	
SET426	BR47679	BR47620	SET426	HD215	SET47679-20
SET439	HM212049-X	HM212011	SET439		
SET499	BR687	BR672			

Tapered bearing sets - (cont.)

Half stand bearing sets for PreSet® hub assemblies

Note: LBT & RBT series bearings are not sold separately.
NP series bearings are for reference only.

Set no.	Cone	Cup	ConMet set no.	Timken PreSet set no.	Timken Cone	Timken Cup
SET427	RBT10433	LBT10433	107501	SET427	NP899357	NP026773
SET428	RBT10429	LBT10429	107500	SET428	NP874005	NP435398
SET429	RBT10434	LBT10434	107503	SET429	NP034946	NP363298
SET430	RBT10431	LBT10431	107502	SET430	NP840302	NP053874
SET431	RBT10430	LBT10430	107504	SET431	NP965350	NP503727
SET432	RBT10426	LBT10426	107506	SET432	NP174964	NP593561

Set no.	Cone	Cup	ConMet set no.	Timken LMS set no.	Timken Cone	Timken Cup
SET427	RBT10433	LBT10433	107501	SET433	NP431952	NP378092
SET428	RBT10429	LBT10429	107500	SET434	NP555065	NP720703
SET429	RBT10434	LBT10434	107503	SET435	NP588900	NP107783
SET430	RBT10431	LBT10431	107502	SET436	NP577914	NP975161
SET431	RBT10430	LBT10430	107504	SET437	NP022333	NP250023
SET432	RBT10426	LBT10426	107506	SET436	NP417549	NP156827

SCOTSEAL®
TOOLING

SCOTSEAL®
FAMILY

HUBCAP
INTERCHANGE

TAPERED
BEARING SETS

Notes

Notes

К С О
—
С О
—
С О

SCOTSEAL®
TOOLING

SCOTSEAL®
FAMILY

HUBCAP
INTERCHANGE

TAPERED
BEARING SETS

SCOTSEAL®
TOOLING

SCOTSEAL®
FAMILY

HUBCAP
INTERCHANGE

TAPERED
BEARING SETS

Notes

WARNING: Proper selection of the products listed for sale in this catalog is essential to minimize the risk of any seal, bearing or other product failure. Such failures can result in property damage or severe personal injury to operators of machinery, vehicles or to others. You must carefully evaluate the particular application on or into which you intend to install the products. Products in this catalog require installation by an experienced professional mechanic or qualified maintenance professional.

The product properties and operating parameters described in this catalogue are based upon tests conducted by SKF or reported by others. SKF does not assume any responsibility for errors in the data published in this catalog. The life and performance of the products ultimately depend on a number of factors. These include, for example, selection of product design type, selection of materials for their different properties, handling and installation, operating conditions, including shaft surface or bore conditions, the quantity, quality and chemistry of lubricants and other factors. Severe environments can adversely effect product life or performance. For help in realizing longer SKF product life, and optimal performance for your specific application, contact SKF's Customer Services Department at 1-800-882-0008. You can also submit to our attention the Engineering Work Request form found at the end of this catalogue or visit our web site at <http://www.vsm.skf.com>.

LIMITED WARRANTY

SKF as the seller of the products contained in this catalog warrants to the first user/purchaser that the products sold by it, when properly installed, will be free from defects in material and workmanship. SKF's sole obligation and liability for any defect found to exist in a product sold by SKF contrary to this warranty, and purchaser's sole and exclusive remedy for such defect, shall be limited to: (A) SKF furnishing without additional charge to purchaser, including transportation, a replacement for any of the products sold by SKF which are found by SKF to be defective contrary to this limited warranty, and (B) in the case of products which cannot be repaired or replaced by SKF, SKF shall credit or refund purchaser the purchase price paid therefore; provided, that SKF is advised in writing of such product non-conformance within thirty (30) days of the date of discovery thereof, and that the non-conforming product is returned f.o.b. to SKF's designated warehouse promptly thereafter, but in any case not later than twelve (12) months from the date of original shipment of the product to purchaser by SKF. In no event shall SKF be obligated under this warranty or otherwise in any way whatsoever for normal wear and tear, or for any products sold by SKF which, after delivery by SKF and in SKF's sole determination, have been subjected to accident, abuse, misapplication, improper or faulty repair or installation, improper or faulty maintenance or lubrication, any alteration or neglect, excessive loading or other excessive operating conditions, or for defects caused by or resulting from purchaser's specifications or designs or otherwise caused by purchaser. **TO THE FURTHEST EXTENT PERMITTED UNDER APPLICABLE LAW, SKF DISCLAIMS LIABILITY, IN TORT OR CONTRACT, IN NEGLIGENCE, STRICT LIABILITY, OR OTHERWISE, FOR ANY OTHER REMEDY OR DAMAGE, WHETHER DIRECT OR INDIRECT, INCIDENTAL OR CONSEQUENTIAL WITH RESPECT TO ITS PERFORMANCE HEREUNDER, INCLUDING WITHOUT LIMITATION WITH RESPECT TO THE PRODUCTS SOLD OR PROVIDED HEREUNDER BY SKF, AND ITS PROVISION OF ANY RELATED SERVICES. THIS EXPRESS WARRANTY IS TO THE EXCLUSION OF ALL OTHER WARRANTIES, EXPRESS OR IMPLIED, INCLUDING WARRANTIES OF MERCHANTABILITY OR FITNESS FOR A PARTICULAR PURPOSE. COSTS INCURRED FOR ROUTINE MAINTENANCE ARE NOT COVERED BY THIS WARRANTY.** Without limiting the generality of the foregoing disclaimer, SKF specifically disclaims liability to purchaser for any loss, cost, or damage incurred as a result of equipment downtime, or loss of use or availability of worksite, lost revenues or lost profits, or losses or liability arising, regardless of whether SKF is on notice of the possibility of such damage or loss and did or could have anticipated same. No other person has been authorized by SKF to undertake or make on behalf of SKF any further representation, warranty or guarantee in addition to or contrary to SKF's warranty made herein or contrary to the limitations and disclaimers provided herein. The exclusive remedies provided in this limited warranty shall not be deemed to have failed of their essential purpose so long as SKF is willing and able to perform to the extent and in the manner prescribed in this warranty.

INFORMATION: Inquiries can be directed to: SKF Customer Services Department, 890 North State Street, Elgin, IL 60123 USA, or call 1-800-882-0008.

LIMITATION ON RETURNS: Any product that is not in conformance with purchaser's description given in its order is returnable for credit or replacement by SKF, provided that SKF is advised in writing by purchaser of such non-conformance within 30 days after the product's delivery to purchaser by SKF, and only after written authorization therefore is given by SKF. Approved returns must be shipped freight prepaid and arrive in good, saleable condition to qualify for credit or replacement.

NOTICE: The SKF part numbering systems for the SKF products are proprietary to SKF. Any improper or unauthorized use of these numbering systems, including adoption or use of any of their part numbers or part number lists, even where the subject of modification or addition, is strictly prohibited and will be prosecuted by SKF as a violation of U.S. and foreign copyright, trademark and unfair competition laws. In addition, use of any SKF trademarks, trade names or packaging schemes, systems, colors or designs is likewise considered a violation of the trademarks, trade names and trade identities rights of SKF USA Inc. and their affiliates. Possible violation of such use should be brought to the attention of SKF: SKF USA Inc., 890 North State Street, Elgin, Illinois 60123 USA, Attn: Catalog Manager.



Install confidence

SKF is your source for a wide range of products covering various industries. From automotive to heavy duty to industrial applications, SKF offers a solution to keep your machines operating and your business profitable.

For more information, please contact your local SKF representative at **1-800-882-0008** or visit us at www.vsm.skf.com.

