



CONVEYING PERFORMANCE

TERMS & CONDITIONS

WARRANTY

Luff Industries Ltd. warrants that the products it manufactures are free from defects in material and workmanship, when used under normal operating conditions. The duration of this warranty is 24 months from the date of delivery, or 2,000 hours of operation, whichever occurs first.

If a defect is found to arise from manufacturing, the customer must notify Luff Industries Ltd. in writing, within 30 days from the date of failure before proceeding with repairs or returning the product.

Luff Industries Ltd. will correct any defect in materials or workmanship by repair or replacement of the defective product.

Luff Industries Ltd. shall not be responsible, under any circumstances, for more than the cost of repair or replacement of the defective product.

Non-compliance of the above conditions can void the warranty and Luff Industries Ltd. will not be responsible for the cost of repairing or replacing the product.

RETURNED PRODUCTS

Luff Industries Ltd. products may not be returned without prior approval. Any and all expenses incurred in the return of product shall be the responsibility of the customer. Returned product is subject to a 20 per cent restocking fee.

PRICES AND PAYMENT TERMS

Prices shall remain in effect for fifteen (15) days after the date of quotation. Otherwise, prices are subject to change without notice. On approved credit, payments are due 30 days after the invoice date, unless otherwise arranged.

CANCELLATION

Orders can only be cancelled before production is started, otherwise charges for costs incurred will be applied.

CHANGES

Customers may request changes or additions to the products consistent with Luff Industries Ltd. specifications and criteria. In the event such changes or additions are accepted by Luff Industries Ltd. there may be a revision to the price and delivery schedule. Luff Industries Ltd. reserves the right to change design and specifications for product without prior notice to the customer, except with respect to custom made products.

SHIPMENTS

All shipments will be shipped F.O.B. Luff Industries Ltd. freight collect, unless otherwise specified in the contract. All claims for lost or damaged product occurring in transit, after delivery to the freight carrier, must be handled by the customer with the carrier.

SAFETY DEVICES

Luff Industries Ltd. products are provided with only those safety devices identified on the invoice. It is the responsibility of the customer to furnish appropriate guards for machinery parts in compliance with the applicable CSA and OSHA regulations.

WEIGHT

Weights shown in this catalogue are approximate and are provided for estimating purposes only.

ACCEPTANCE

All orders are accepted upon the condition that the customer agrees to be bound by the Terms and Conditions contained herein.

CONTENTS



2300 SERIES

6

Equal Roll Steel	6
Equal Roll Impact	7
Unequal Roll Steel	8
Unequal Roll Impact	8
Trough Training	9
Flat Impact	10
Flat Carrying	10
Rubber Disc Return	11
Steel Return	11
Flat Impact — Live Shaft	12
Disc Return Training	12
Return Training	13
Center Mount V-Trough	14
High Speed Spreader	14
Channel Insets	15
Steel Return – Live Shaft	16
Rubber Disc Return – Live Shaft	17

CEMA B/C

3400 SERIES

18

Equal Roll Steel	18
Equal Roll Impact	20
Offset Center Roll Steel	22
Trough Training	24
Unequal Roll Steel	26
Unequal Roll Impact	27
Flat Carrying	28
Flat Impact	28
Steel Return Roll	29
Rubber Disc Return	29
V>Returns	30–31
Steel Return Training	32
Disc Return Training	33
Feed Impact – Live Shaft	34
Steel Return – Live Shaft	34
Rubber Disc Return – Live Shaft	35

CEMA C/D

45-5600 SERIES

36

CEMA E	
Equal Roll Steel	36
Equal Roll Impact	38
CEMA F	
Equal Roll Steel	40
Equal Roll Impact	40
4500 Steel Rollers	41
4500 Impact Rollers	41

CEMA E/F

ACCESSORIES

42

2300/3400 Brackets	54–55	Lagging	45	Slider/Slider Impact Beds	47	Data/Reference Sheets		
Anti-Lock Shield	52	Pulleys: XT Style Drum/Wing	43	Take-Up Frames	48–49		Roller Data Sheet	56
Belt Brush Cleaning Unit	51	Pulleys: QD Style Drum/Wing	43	Telescopic Take-Up	49		Conveyor Product Data Sheet	57
Belt Cleaner/Scraper	51	Pulleys: Spiral Drum & Wing	44				Load Rating Reference Guide	58
Catenary/Garland	42	Pulleys: Helix Pulley	44					
Composite Rolls	42	Retrofits	52					
Guide Rollers	53	Return Roller Guards	50					
Impact Beds	46	Rubber Discs	54					

ACCESSORIES

CONTACT

LUFF INDUSTRIES LTD.

Head Office

235010 Wrangler Road
Rocky View (Calgary), Alberta T1X 0K3

TF: 1.888.349.LUFF (5833)

P: 403.279.3555

F: 403.279.5709

E: info@luffindustries.com

W: www.luffindustries.com

Ontario Branch

1289 Brodie Drive — Unit 12
Orillia, Ontario, Canada L3V 6H4

TF: 1.888.349.LUFF (5833)

P: 705.345.7948

F: 403.279.5709

E: info@luffindustries.com

W: www.luffindustries.com

California Branch, USA

9293 Archibald Avenue
Rancho Cucamonga, California 91730

TF: 1.888.349.LUFF (5833)

P: 909.214.5833

F: 403.279.5709

E: info@luffindustries.com

W: www.luffindustries.com

Ohio Branch, USA

5239 Tractor Road
Toledo, Ohio 43612

TF: 1.888.349.LUFF (5833)

P: 909.214.5833

F: 403.279.5709

E: info@luffindustries.com

W: www.luffindustries.com

ABOUT

Luff Industries Ltd. manufactures quality conveyor components, including idlers with patented polymer end caps and pulleys with an industry leading rim thickness, for an international market. Using Luff components, companies have been increasing the performance of their conveyor systems since 1979.

Recognized for innovative products, quick turn around times and industry-leading warranty, Luff conveyor components can be found in a variety of heavy industrial material handling applications. These industries include:

- Aggregate
- Mining
- Forestry
- Original Equipment Manufacturers (OEMs)
- Construction
- Gypsum (Wallboard)
- Power Generation
- Recycling
- Ship Loading
- Side Wall Belt Systems

Due to these industries, Luff manufactures one of the most complete product lines available on the market today. Call to find out how Luff Industries can increase your conveying performance.

QUALITY. SERVICE. DEPENDABILITY.

Luff's order desks are computer linked to both design and production control. Luff can advise you on an economical shaft diameter to meet the load and deflection conditions of any pulley application. Our in-house team of engineers can help you with modifications and designs, tailored to your specific needs.

With an industry leading manufacturing time Luff is able to provide fast delivery, minimizing down-time and reducing operating costs for your company.

From reviewing the contract to shipping the final product, all aspects of the process are monitored by Luff's experienced staff. All product is inspected and guaranteed to meet, or exceed, I.S.O. 9001 specifications.

For more information on Luff products, call toll-free: **1.888.349.LUFF (5833)**.



ADVANTAGES

THE POWER OF POLYMER

THE SOLUTION TO BEARING CONTAMINATION AND COSTLY IDLER MAINTENANCE

An alternative to steel rolls of the past is Luff's innovative, maintenance-free idler. These idlers utilize a polymer end cap design patented by Luff Industries Ltd. All CEMA B, C and D idlers feature polymer end caps.

Luff has incorporated the use of high-strength polymer, surrounding a maintenance-free bearing in its end cap design. This design allows the idler to be corrosion resistant, lightweight, longer lasting, and a cost-effective alternative to regular steel caps.

A triple labyrinth seal and felt ring, both encased in the polymer end cap using ultrasonic welding techniques, ensures a seal that will last longer than conventional methods.

After assembly, the end cap passes through a rigid ISO 9001 (International Standards Organization) quality inspection, before becoming a key component in a Luff conveyor idler.

THE PULLEY ADVANTAGE

ADVANTAGES OF THE LUFF PULLEY

Luff Industries Ltd. manufactures industry leading pulleys fabricated from heavy schedule pipe. The machined large trapezoidal crown angle ensures maximum concentricity of the pulley is 0.0000–0.030", compared to the industry standard of 0.080"–0.125".

This process provides Luff's customers with significant advantages including:

- Concentricity provides maximum contact with the belt, consistent belt content discharge, less deflection of shaft and reduced stress on the bearings.
- Thick pulley shell absorbs more stress and protects against abrasive wear.
- Large crown angle provides superior belt tracking capabilities.

Luff pulleys can be found in applications around the world. The strength these pulleys provide means less maintenance and belt wear.

LUFF ACCESSORIES

QUALITY CONVEYOR PRODUCTS NEED QUALITY ACCESSORIES

A complete line of conveyor accessories is available from Luff Industries. From belt cleaning systems to impact beds, lagging, urethane products, take-up frames, shafting and more. Luff Industries is able to outfit your conveyor with the industry-leading product it demands.

Luff stands behind all of its product with a full two-year warranty. This ensures peace of mind, while equipping your conveyor with the latest technology available, at great prices.

Offering only the highest quality products and accessories available, Luff reduces downtime and maintenance costs for your company.

With product built in-house at Luff's state-of-the-art manufacturing plant in Calgary, Alberta, Canada, Luff maintains all control over quality of the product it manufactures. This provides the customer with the ultimate assurance that product received will meet, or exceed, all expectations.

Browse the Luff catalogue and see how you can increase your *conveying performance*.

QUALITY IS STANDARD

PROVIDING CUSTOMERS WITH A SIGNIFICANT ADVANTAGE

Luff idlers and pulleys pass through a full ISO 9001 quality inspection before becoming a key component in your conveyor system.

Thoroughly tested and proven, all Luff products meet the requirements of the most demanding conveyor systems. Product can be custom built to the same standards as in-stock product, with an industry leading turn around time.

Luff product also conforms to CEMA (Conveyor Equipment Manufacturers Association) standards, along with other industrial standards, ensuring the best available product on the market today.

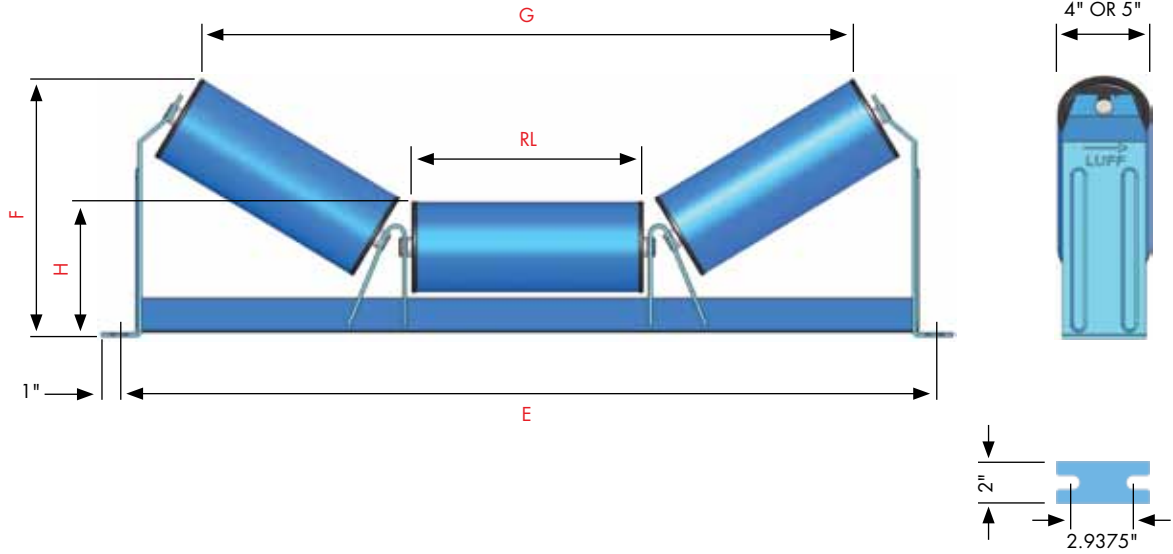
If you would like more information on Luff Quality Standards, call Luff's experienced sales team today, toll-free, at **1.888.349.LUFF (5833)**.



2300 SERIES

CEMA B

EQUAL ROLL STEEL



ENDPLATE ARROW: Luff 2300 Series Endplates feature an arrow indicating direction of belt travel

4-INCH DIAMETER

20° ANGLE

BELT	E	F	G	H	RL
18"	27"	9.75"	21.5"	7.375"	6.75"
24"	33"	10.5"	27.25"	7.375"	8.75"
30"	39"	11.125"	33"	7.375"	10.75"
36"	45"	11.875"	38.75"	7.375"	12.75"

CEMA B

PART #	WEIGHT
18B-420-SE	31 lbs.
24B-420-SE	36 lbs.
30B-420-SE	45 lbs.
36B-420-SE	51 lbs.

4-INCH DIAMETER

35° ANGLE

BELT	E	F	G	H	RL
18"	27"	11.5"	19.25"	7.375"	6.75"
24"	33"	12.75"	24.5"	7.375"	8.75"
30"	39"	11.875"	29.75"	7.375"	10.75"
36"	45"	15"	35"	7.375"	12.75"

CEMA B

PART #	WEIGHT
18B-435-SE	33 lbs.
24B-435-SE	38 lbs.
30B-435-SE	47 lbs.
36B-435-SE	53 lbs.

5-INCH DIAMETER

20° ANGLE

BELT	E	F	G	H	RL
18"	27"	10.25"	21.125"	7.875"	6.75"
24"	33"	11"	26.875"	7.875"	8.75"
30"	39"	11.625"	32.625"	7.875"	10.75"
36"	45"	12.375"	38.375"	7.875"	12.75"
42"	51"	13"	44.125"	7.875"	14.75"
48"	57"	13.375"	49.875"	7.875"	16.75"

CEMA B

PART #	WEIGHT
18B-520-SE	35 lbs.
24B-520-SE	41 lbs.
30B-520-SE	51 lbs.
36B-520-SE	57 lbs.
42C-520-SE	81 lbs.
48C-520-SE	92 lbs.

5-INCH DIAMETER

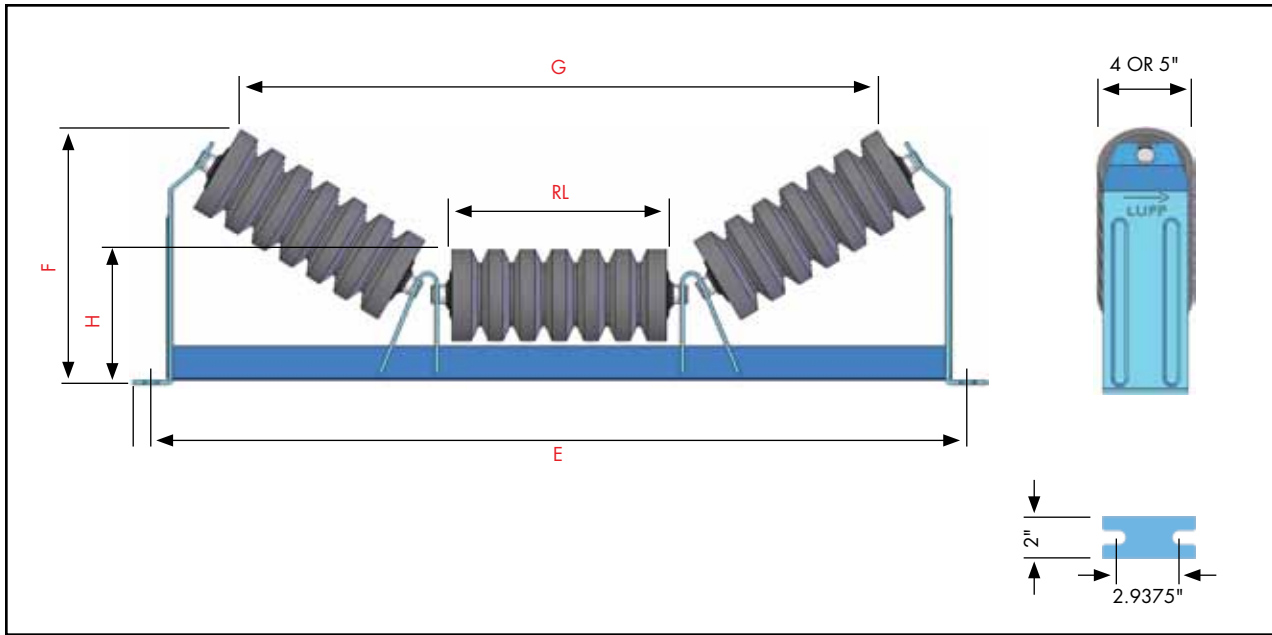
35° ANGLE

BELT	E	F	G	H	RL
18"	27"	12"	18.625"	7.875"	6.75"
24"	33"	13"	24"	7.875"	8.75"
30"	39"	14.25"	29.25"	7.875"	10.75"
36"	45"	15.375"	34.5"	7.875"	12.75"
42"	51"	16.5"	39.75"	7.875"	14.75"
48"	57"	17.625"	45"	7.875"	16.75"

CEMA B

PART #	WEIGHT
18B-535-SE	37 lbs.
24B-535-SE	43 lbs.
30B-535-SE	53 lbs.
36B-535-SE	60 lbs.
42C-535-SE	81 lbs.
48C-535SE	92 lbs.

EQUAL ROLL IMPACT



4-INCH DIAMETER

20° ANGLE	BELT	E	F	G	H	RL
	18"	27"	9.75"	21.5"	7.375"	6.125"
	24"	33"	10.5"	27.25"	7.375"	8.125"
	30"	39"	11.125"	33"	7.375"	10.125"
	36"	45"	11.875"	38.75"	7.375"	12.125"
	42"	51"	12.5"	44.5"	7.375"	14.125"
	48"	57"	13.25"	50.25"	7.375"	16.125"

CEMA C

PART #	WEIGHT
18C-420-DE	37 lbs.
24C-420-DE	45 lbs.
30C-420-DE	55 lbs.
36C-420-DE	65 lbs.
42C-420-DE	80 lbs.
48C-420-DE	89 lbs.

4-INCH DIAMETER

35° ANGLE	BELT	E	F	G	H	RL
	18"	27"	11.5"	19.25"	7.375"	6.125"
	24"	33"	12.75"	24.5"	7.375"	8.125"
	30"	39"	13.875"	29.75"	7.375"	10.125"
	36"	45"	15"	35"	7.375"	12.125"
	42"	51"	16.125"	40.375"	7.375"	14.125"
	48"	57"	17.25"	45.625"	7.375"	16.125"

CEMA C

PART #	WEIGHT
18C-435-DE	37 lbs.
24C-435-DE	45 lbs.
30C-435-DE	55 lbs.
36C-435-DE	65 lbs.
42C-435-DE	80 lbs.
48C-435-DE	89 lbs.

5-INCH DIAMETER

20° ANGLE	BELT	E	F	G	H	RL
	18"	27"	10.125"	20.375"	7.875"	6.5"
	24"	33"	10.75"	26.125"	7.875"	8.5"
	30"	39"	11.5"	32"	7.875"	10.5"
	36"	45"	12.125"	37.75"	7.875"	12.5"
	42"	51"	12.875"	43.5"	7.875"	14.5"
	48"	57"	13.5"	49.25"	7.875"	16.5"

CEMA C

PART #	WEIGHT
18C-520-DE	40 lbs.
24C-520-DE	48 lbs.
30C-520-DE	61 lbs.
36C-520-DE	70 lbs.
42C-520-DE	85 lbs.
48C-520-DE	95 lbs.

5-INCH DIAMETER

35° ANGLE	BELT	E	F	G	H	RL
	18"	27"	11.75"	18"	7.875"	6.5"
	24"	33"	12.875"	23.25"	7.875"	8.5"
	30"	39"	14"	28.5"	7.875"	10.5"
	36"	45"	15.25"	33.875"	7.875"	12.5"
	42"	51"	16.375"	39.125"	7.875"	14.5"
	48"	57"	17.5"	44.375"	7.875"	16.5"

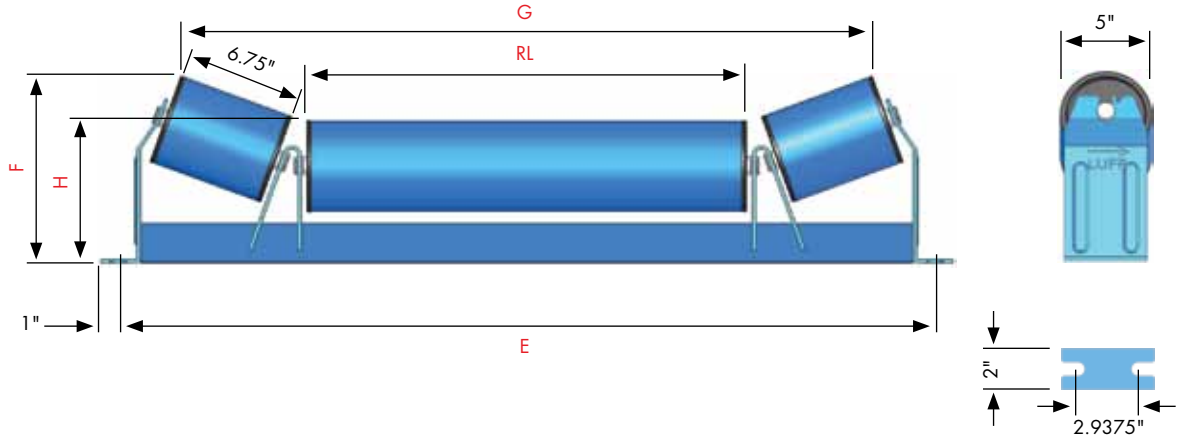
CEMA C

PART #	WEIGHT
18C-535-DE	40 lbs.
24C-535-DE	48 lbs.
30C-535-DE	61 lbs.
36C-535-DE	70 lbs.
42C-535-DE	85 lbs.
48C-535-DE	95 lbs.

2300 SERIES

CEMA B

UNEQUAL ROLL STEEL



5-INCH DIAMETER

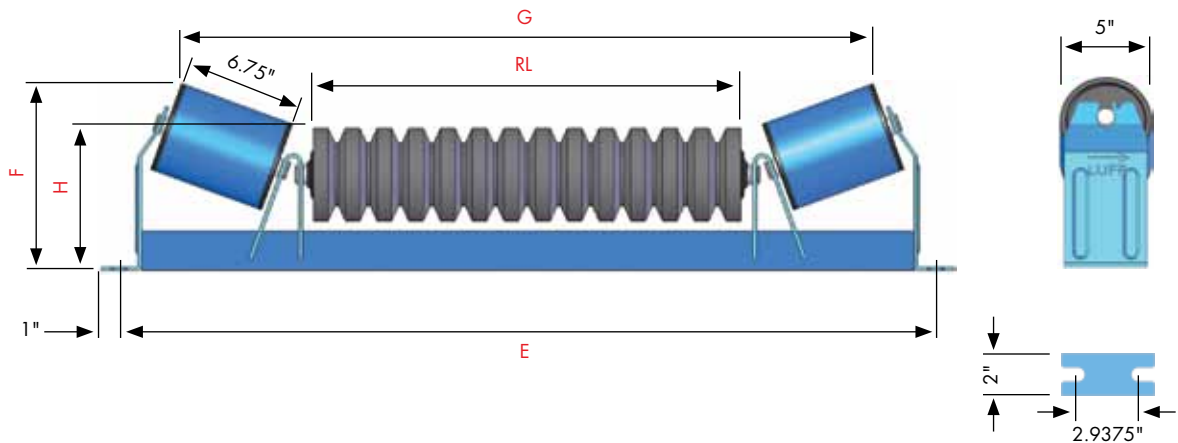
20° ANGLE	BELT	E	F	G	H	RL
	24"	33"	10.25"	27.125"	8"	12.75"
	30"	39"	10.25"	33.125"	8"	18.75"
	36"	45"	10.25"	39.125"	8"	24.75"
	42"	51"	10.25"	45.125"	8"	30.75"
	48"	57"	10.25"	51.125"	8"	36.75"

CEMA B

PART #	WEIGHT
24C-520-SP	43 lbs.
30C-520-SP	53 lbs.
36C-520-SP	59 lbs.
42C-520-SP	71 lbs.
48C-520-SP	79 lbs.

4-INCH DIAMETER ALSO AVAILABLE

UNEQUAL ROLL IMPACT



5-INCH DIAMETER

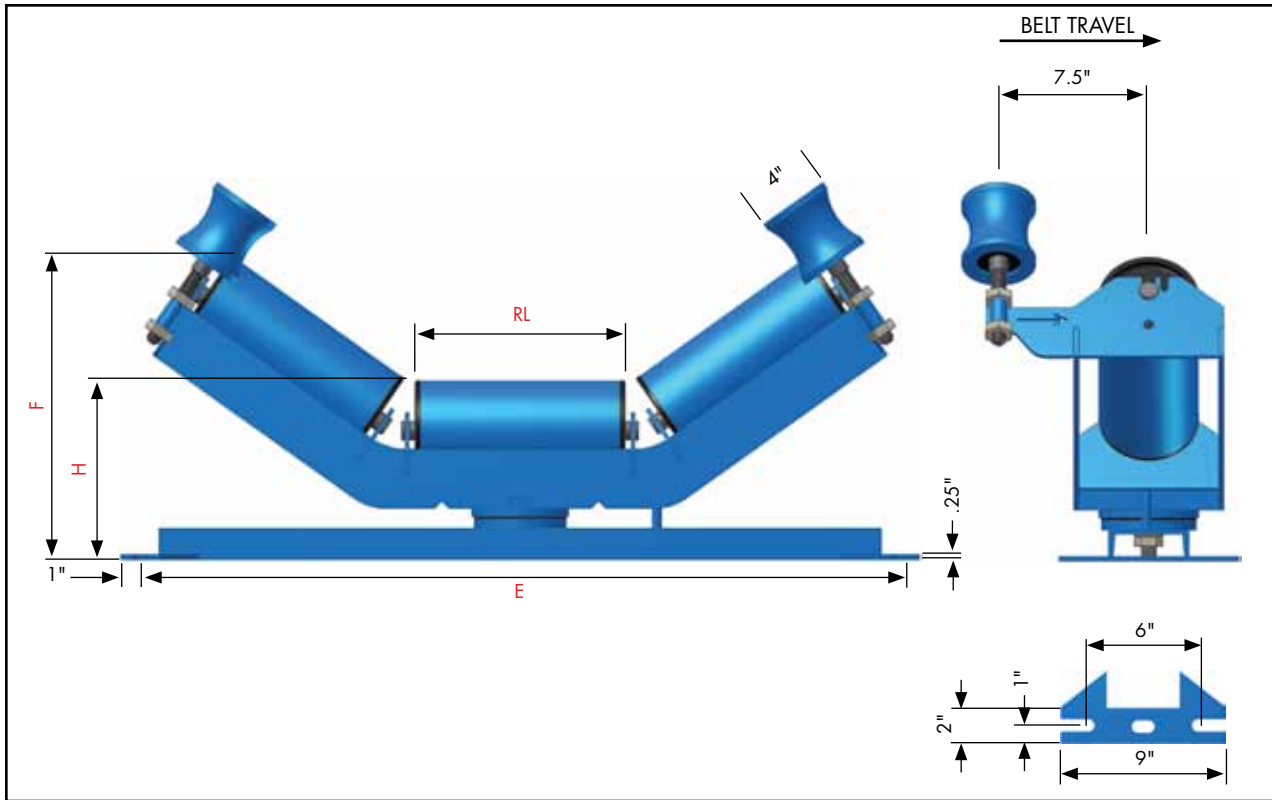
20° ANGLE	BELT	E	F	G	H	RL
	24"	33"	10.25"	27.125"	8"	12.5"
	30"	39"	10.25"	33.125"	8"	18.5"
	36"	45"	10.25"	39.125"	8"	24.5"
	42"	51"	10.25"	45.125"	8"	30.5"
	48"	57"	10.25"	51.125"	8"	36.5"

CEMA C

PART #	WEIGHT
24C-520-DP	46 lbs.
30C-520-DP	59 lbs.
36C-520-DP	67 lbs.
42C-520-DP	82 lbs.
48C-520-DP	92 lbs.

4 & 5-INCH ALL IMPACT ALSO AVAILABLE

TROUGH TRAINING



4-INCH DIAMETER						CEMA B	
20° ANGLE	BELT	E	F	H	RL	PART #	WEIGHT
	18"	27"	10.25"	8"	6.75"	18B-420-STE-U	61 lbs.
	24"	33"	11"	8"	8.75"	24B-420-STE-U	68 lbs.
	30"	39"	11.625"	8"	10.75"	30B-420-STE-U	84 lbs.
	36"	45"	12.375"	8"	12.75"	36B-420-STE-U	94 lbs.

4-INCH DIAMETER						CEMA B	
35° ANGLE	BELT	E	F	H	RL	PART #	WEIGHT
	18"	27"	12"	8"	6.75"	18B-435-STE-U	64 lbs.
	24"	33"	13.25"	8"	8.75"	24B-435-STE-U	71 lbs.
	30"	39"	14.375"	8"	10.75"	30B-435-STE-U	88 lbs.
	36"	45"	15.5"	8"	12.75"	36B-435-STE-U	98 lbs.

5-INCH DIAMETER						CEMA B	
20° ANGLE	BELT	E	F	H	RL	PART #	WEIGHT
	18"	27"	10.75"	8.5"	6.75"	18B-520-STE-U	65 lbs.
	24"	33"	11.5"	8.5"	8.75"	24B-520-STE-U	73 lbs.
	30"	39"	12.125"	8.5"	10.75"	30B-520-STE-U	90 lbs.
	36"	45"	12.875"	8.5"	12.75"	36B-520-STE-U	100 lbs.
	42"	51"	13.5"	8.5"	14.75"	42C-520-STE-U	114 lbs.
	48"	57"	14.25"	8.5"	16.75"	48C-520-STE-U	121 lbs.

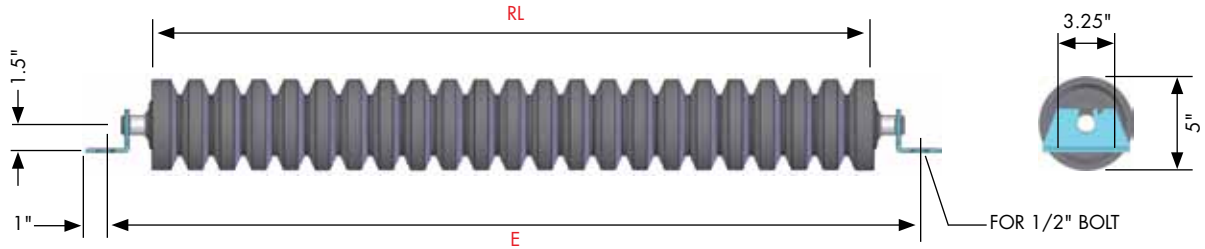
5-INCH DIAMETER						CEMA B	
35° ANGLE	BELT	E	F	H	RL	PART #	WEIGHT
	18"	27"	12.5"	8.5"	6.75"	18B-535-STE-U	68 lbs.
	24"	33"	13.5"	8.5"	8.75"	24B-535-STE-U	76 lbs.
	30"	39"	14.75"	8.5"	10.75"	30B-535-STE-U	94 lbs.
	36"	45"	15.875"	8.5"	12.75"	36B-535-STE-U	104 lbs.
	42"	51"	17"	8.5"	14.75"	42C-535-STE-U	115 lbs.
	48"	57"	18.125"	8.5"	16.75"	48C-535-STE-U	123 lbs.

2300 SERIES
CEMA B

2300 SERIES

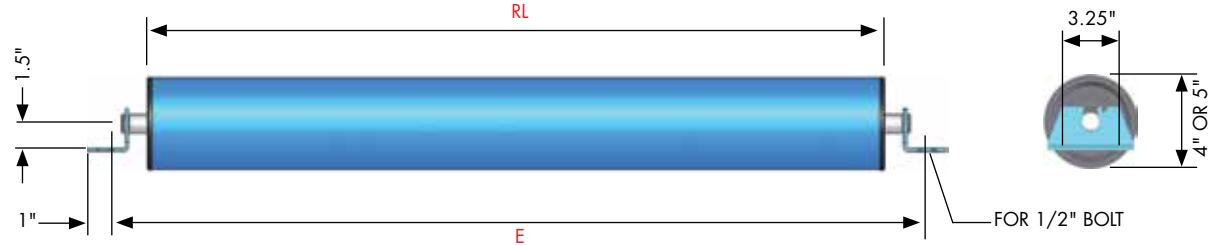
CEMA B

FLAT IMPACT



4 OR 5-INCH DIAMETER			CEMA C		
SPECS	BELT	E	RL	PART #	WEIGHT
	18"	27"	22"	18C-500-D	27 lbs.
	24"	33"	28"	24C-500-D	34 lbs.
	30"	39"	34"	30C-500-D	41 lbs.
	36"	45"	40"	36C-500-D	47 lbs.
	42"	51"	46"	42C-500-D	54 lbs.
	48"	57"	52"	48C-500-D	61 lbs.

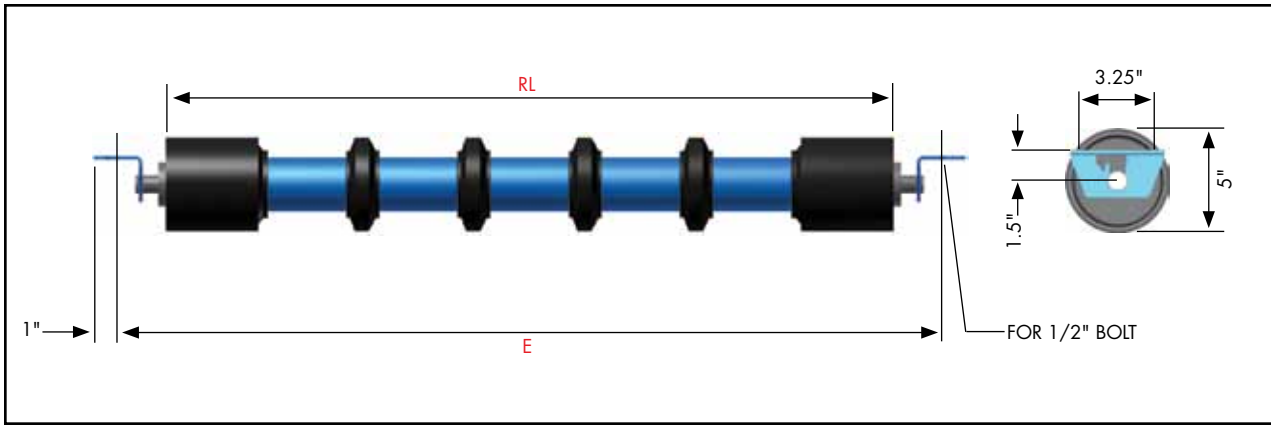
FLAT CARRYING



4-INCH DIAMETER			CEMA B		
SPECS	BELT	E	RL	PART #	WEIGHT
	18"	27"	21.75"	18B-400-S	15 lbs.
	24"	33"	27.75"	24B-400-S	18 lbs.
	30"	39"	33.75"	30B-400-S	22 lbs.
	36"	45"	39.75"	36B-400-S	25 lbs.
	42"	51"	45.75"	42C-400-S	33 lbs.
	48"	57"	51.75"	48C-400-S	37 lbs.

5-INCH DIAMETER			CEMA B		
SPECS	BELT	E	RL	PART #	WEIGHT
	18"	27"	21.75"	18B-500-S	18 lbs.
	24"	33"	27.75"	24B-500-S	22 lbs.
	30"	39"	33.75"	30B-500-S	26 lbs.
	36"	45"	39.75"	36B-500-S	30 lbs.
	42"	51"	45.75"	42C-500-S	37 lbs.
	48"	57"	51.75"	48C-500-S	41 lbs.

RUBBER DISC RETURN

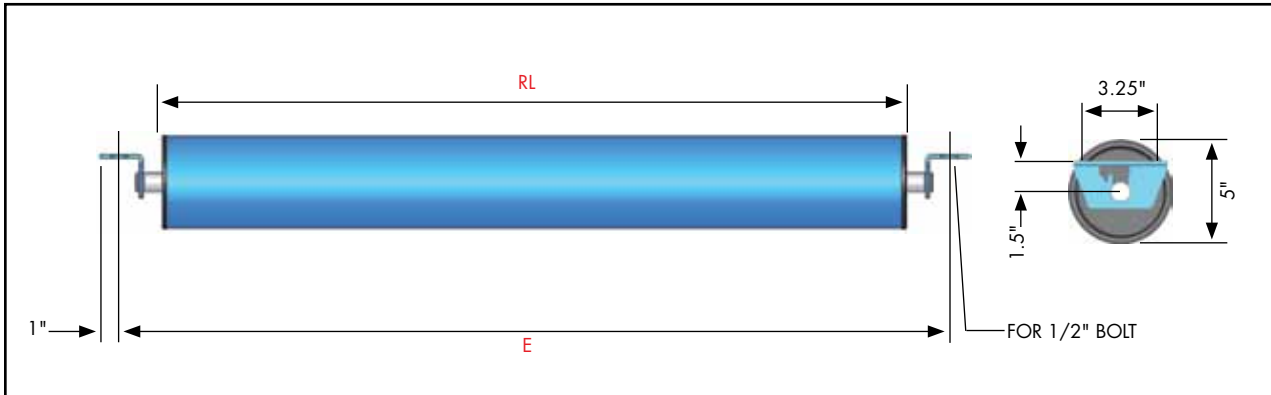


SELF-CLEANING

SELF-CLEANING RUBBER DISC RETURN
The Self-Cleaning Rubber Disc Return reduces build-up on the roller, prolonging the belt life of your conveyor system.

4 OR 5-INCH DIAMETER			CEMA C		
SPECS	BELT	E	RL	PART #	WEIGHT
	18"	27"	21.25"	18C-500-DR	21 lbs.
	24"	33"	27.25"	24C-500-DR	26 lbs.
	30"	39"	33.25"	30C-500-DR	31 lbs.
	36"	45"	39.25"	36C-500-DR	36 lbs.
	42"	51"	45.25"	42C-500-DR	41 lbs.
	48"	57"	51.25"	48C-500-DR	46 lbs.

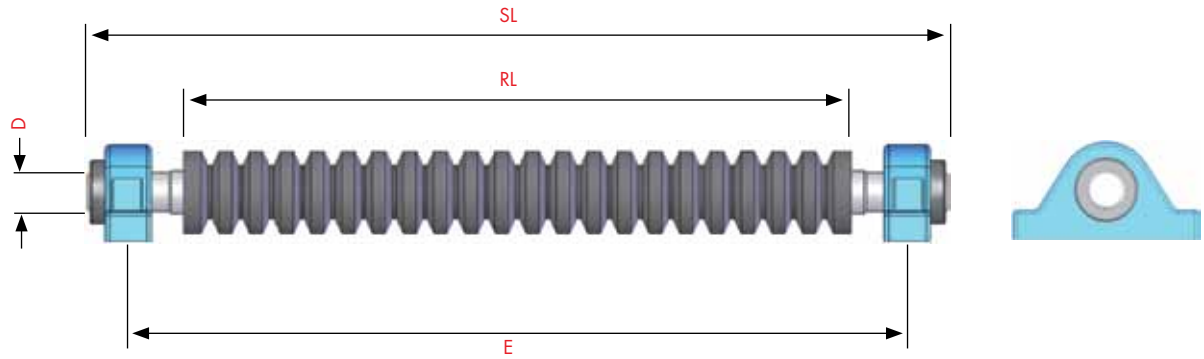
STEEL RETURN ROLL



4-INCH DIAMETER			CEMA B		
SPECS	BELT	E	RL	PART #	WEIGHT
	18"	27"	21.75"	18B-400-SR	15 lbs.
	24"	33"	27.75"	24B-400-SR	18 lbs.
	30"	39"	33.75"	30B-400-SR	22 lbs.
	36"	45"	39.75"	36B-400-SR	25 lbs.
	42"	51"	45.75"	42C-400-SR	33 lbs.
	48"	57"	51.75"	48C-400-SR	37 lbs.

5-INCH DIAMETER			CEMA B		
SPECS	BELT	E	RL	PART #	WEIGHT
	18"	27"	21.75"	18B-500-SR	18 lbs.
	24"	33"	27.75"	24B-500-SR	22 lbs.
	30"	39"	33.75"	30B-500-SR	26 lbs.
	36"	45"	39.75"	36B-500-SR	30 lbs.
	42"	51"	45.75"	42C-500-SR	37 lbs.
	48"	57"	51.75"	48C-500-SR	41 lbs.

FLAT IMPACT — LIVE SHAFT



AVAILABLE IN BEARING SIZES UP TO 2.437"

5 OR 6-INCH DIAMETER

SPECS	BELT	D	E	RL	SL
	18"	1.937"	27"	21.5"	30"
	24"	1.937"	33"	27.5"	36"
	30"	1.937"	39"	33.5"	42"
	36"	2.187"	45"	39.5"	48"
	42"	2.187"	51"	45.5"	54"
48"	2.187"	57"	51.5"	60"	

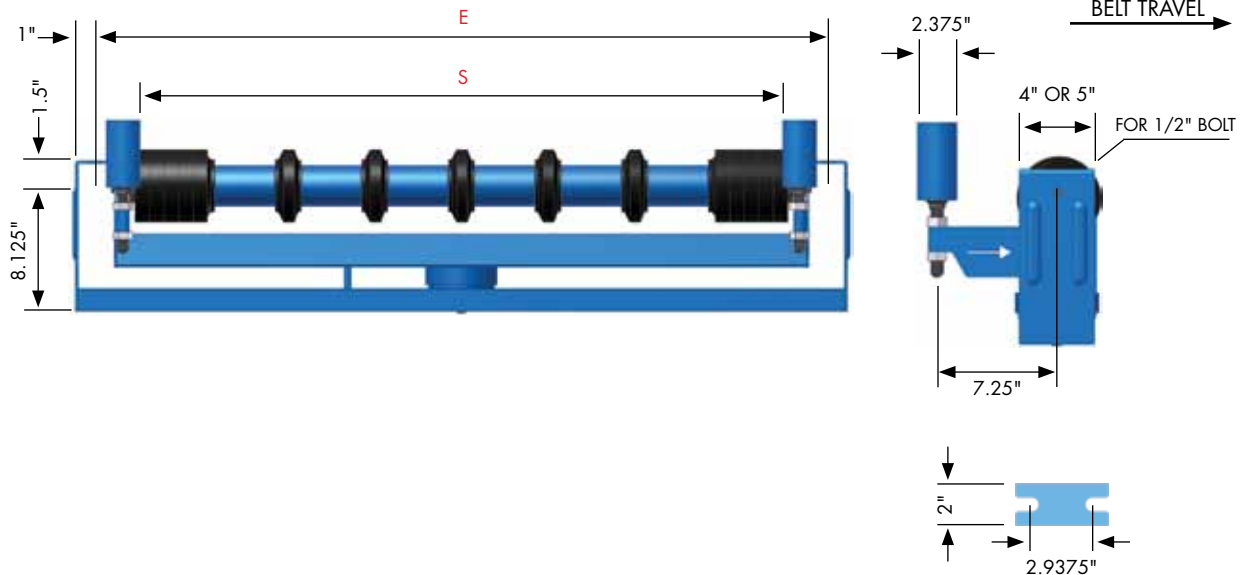
CEMA C

PART #	WEIGHT
18C-500-DL	46 lbs.
24C-500-DL	57 lbs.
30C-500-DL	68 lbs.
36C-500-DL	79 lbs.
42C-500-DL	90 lbs.
48C-500-DL	100 lbs.

LIVESHAFIT

Luff's Flat Impact Idler utilizes a Live Shaft (providing larger shaft and bearings), which reduces shaft deflection and can accept heavier loads.

DISC RETURN TRAINING



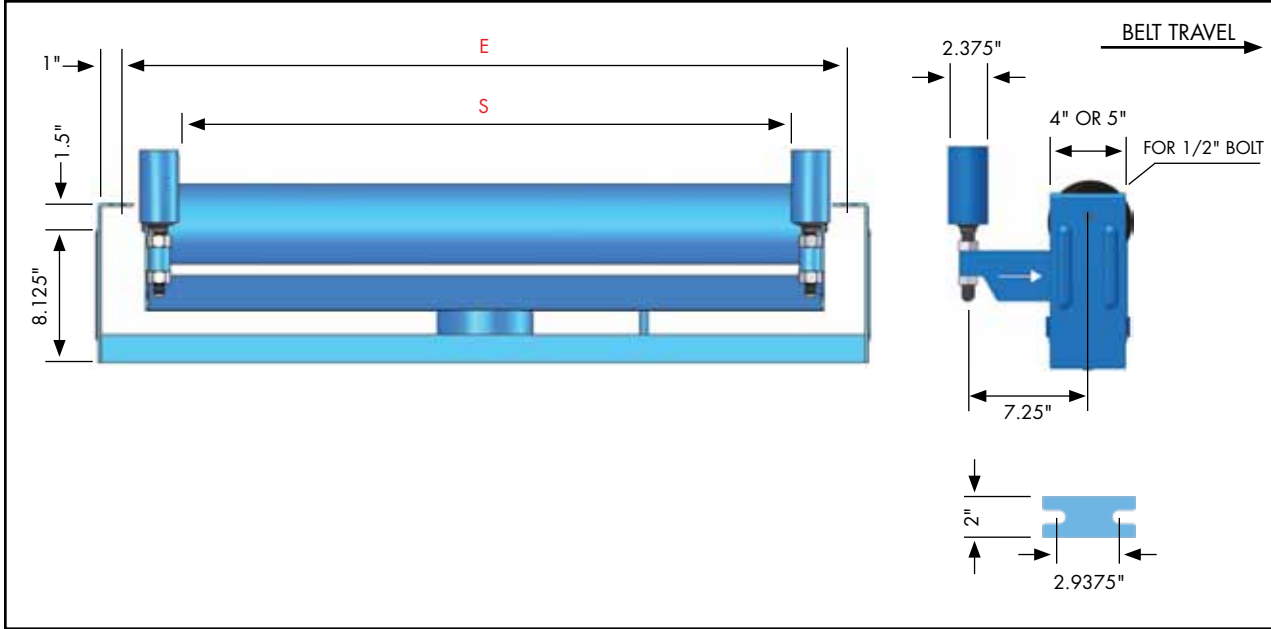
5-INCH DIAMETER

SPECS	BELT	E	S
	18"	27"	20"
	24"	33"	26"
	30"	39"	32"
	36"	45"	38"
	42"	51"	44"
48"	57"	50"	

CEMA C

PART #	WEIGHT
18C-500-DRT	65 lbs.
24C-500-DRT	74 lbs.
30C-500-DRT	93 lbs.
36C-500-DRT	104 lbs.
42C-500-DRT	127 lbs.
48C-500-DRT	140 lbs.

STEEL RETURN TRAINING



4-INCH DIAMETER			CEMA B		
SPECS	BELT	E	S	PART #	WEIGHT
	18"	27"	20"	18B-400-SRT	59 lbs.
	24"	33"	26"	24B-400-SRT	66 lbs.
	30"	39"	32"	30B-400-SRT	84 lbs.
	36"	45"	38"	36B-400-SRT	93 lbs.

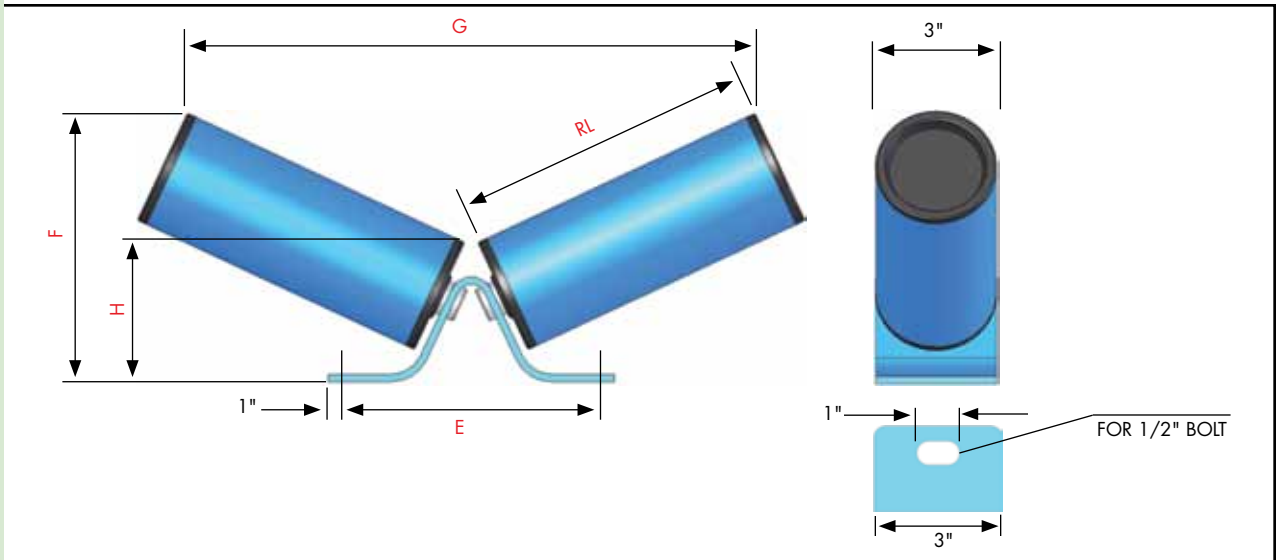
5-INCH DIAMETER			CEMA B		
SPECS	BELT	E	S	PART #	WEIGHT
	18"	27"	20"	18B-500-SRT	62 lbs.
	24"	33"	26"	24B-500-SRT	70 lbs.
	30"	39"	32"	30B-500-SRT	88 lbs.
	36"	45"	38"	36B-500-SRT	98 lbs.
	42"	51"	44"	42C-500-SRT	103 lbs.
48"	57"	50"	48C-500-SRT	110 lbs.	



2300 SERIES

CEMA B

CENTER MOUNT V-TROUGH



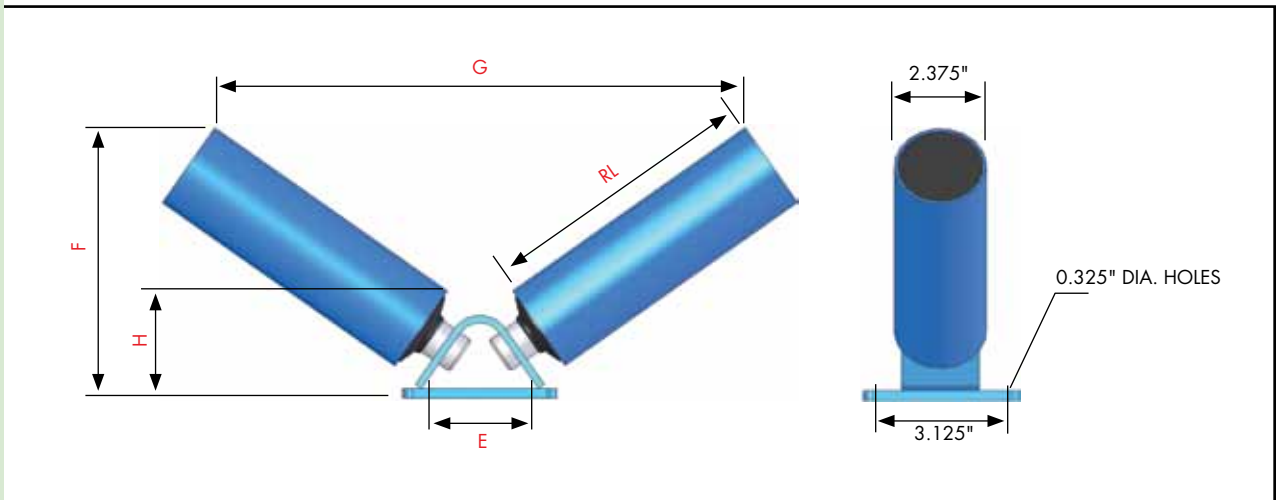
3-INCH DIAMETER

25° ANGLE	BELT	E	F	G	H	RL
	8"	6"	5.375"	9.125"	3.625"	4.75"
	10"	6"	5.875"	11"	3.625"	5.75"
	12"	6"	6.25"	12.75"	3.625"	6.75"
	14"	6"	6.75"	14.625"	3.625"	7.75"
	16"	6"	7.125"	16.375"	3.625"	8.75"
	18"	6"	7.5"	18.25"	3.625"	9.75"

CEMA C

PART #	WEIGHT
8B-325-SV	7.0 lbs.
10B-325-SV	7.9 lbs.
12B-325-SV	8.8 lbs.
14B-325-SV	9.7 lbs.
16B-325-SV	10.6 lbs.
18B-325-SV	11.5 lbs.

HIGH SPEED SPREADER



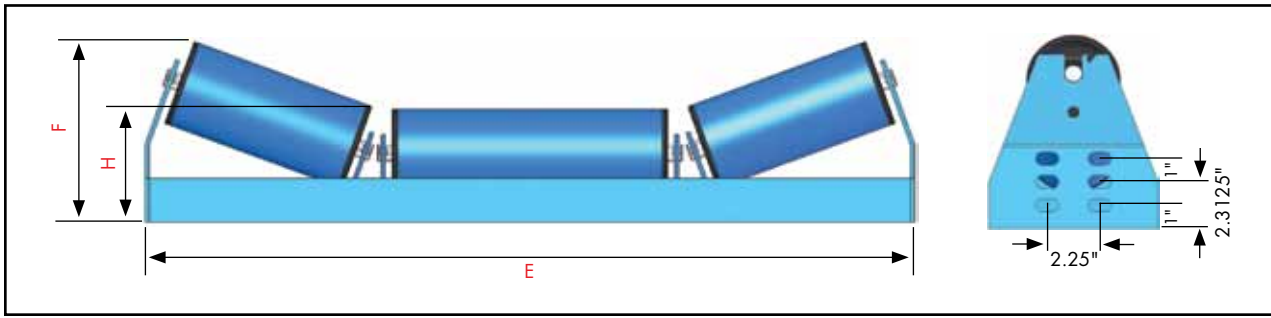
2.375-INCH DIAMETER

35° ANGLE	BELT	E	F	G	H	RL
	8"	2.625"	5.875"	8.875"	2.5625"	4.750"
	10"	2.625"	5.6875"	10.4375"	2.5625"	5.750"
	12"	2.625"	6.4375"	12.0625"	2.5625"	6.750"
	14"	2.625"	7"	13.750"	2.5625"	7.750"
	16"	2.625"	7.5625"	15.375"	2.5625"	8.750"
	18"	2.625"	8.125"	17"	2.5625"	9.750"

CEMA C

PART #	WEIGHT
8C-235-SS	18 lbs.
10C-235-SS	19 lbs.
12C-235-SS	20 lbs.
14C-235-SS	21 lbs.
16C-235-SS	22 lbs.
18C-235-SS	23 lbs.

CHANNEL INSETS



FEATURES

- Available in 4" & 5" CEMA B; 5" & 6" CEMA C; 5" & 6" CEMA D
- Low profile offers solution to areas with tight space constraints
- Custom built assemblies available

CEMA B, C & D **QD** Custom Design

- Quarry-Duty (**QD**) models available
- 5-day standard delivery time
- Unmatched Luff quality complete with 2-year warranty.



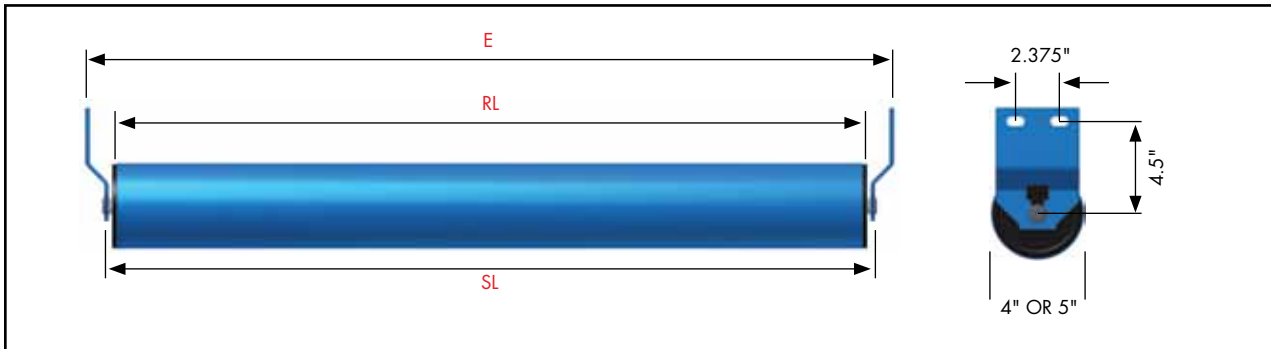
4-INCH DIAMETER

SPECS					20° PART #	35° PART #
	E	F (20°)	F (35°)	H		
	23.625"	7.563"	9.063"	5.125"	18B-420-CI	18B-435-CI
	29.625"	7.688"	9.063"	5.125"	24B-420-CI	24B-435-CI
	35.625"	8.375"	10.188"	5.125"	30B-420-CI	30B-435-CI
	41.625"	9.063"	11.313"	5.125"	36B-420-CI	36B-435-CI
	47.625"	9.75"	12.5"	5.125"	42B-420-CI	42B-435-CI
	53.625"	9.75"	12.5"	5.125"	48B-420-CI	48B-435-CI

5-INCH DIAMETER

SPECS					20° PART #	35° PART #
	E	F (20°)	F (35°)	H		
	23.625"	7.688"	9.563"	5.688"	18C-520-CI	18C-535-CI
	29.625"	8.125"	9.563"	5.688"	24C-520-CI	24C-535-CI
	35.625"	8.813"	10.688"	5.688"	30C-520-CI	30C-535-CI
	41.625"	9.5"	11.813"	5.688"	36C-520-CI	36C-535-CI
	47.625"	10.188"	13"	5.688"	42C-520-CI	42C-535-CI
	53.625"	10.188"	13"	5.688"	48C-520-CI	48C-535-CI
	59.625"	10.188"	13"	5.688"	54C-520-CI QD	54C-535-CI QD
	65.625"	10.875"	14.125"	5.688"	60C-520-CI QD	60C-535-CI QD

CHANNEL INSET RETURN



DISC RETURNS AVAILABLE

4 OR 5-INCH DIAMETER

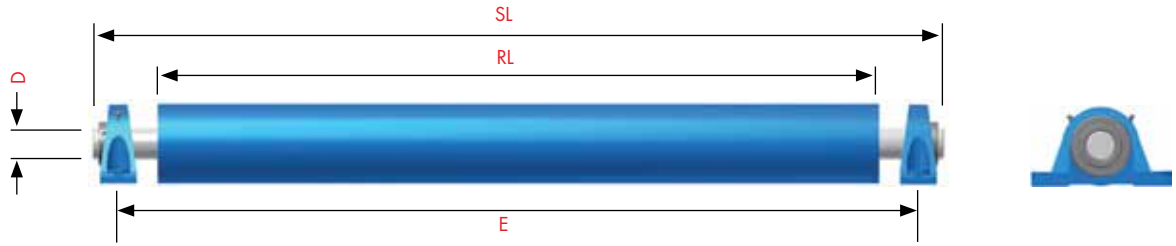
SPECS			
	E	RL	SL
	23.625"	20"	21.625"
	29.625"	26"	27.625"
	35.625"	32"	33.625"
	41.625"	38"	39.625"
	47.625"	44"	45.625"
	53.625"	50"	51.625"

4" CEMA B/C

PART #	WEIGHT
18B-400-CI	15 lbs.
24B-400-CI	19 lbs.
30B-400-CI	24 lbs.
36C-400-CI	29 lbs.
42C-400-CI	33 lbs.
48C-400-CI	37 lbs.

5" CEMA B/C

PART #	WEIGHT
18B-500-CI	18 lbs.
24B-500-CI	22 lbs.
30B-500-CI	27 lbs.
36C-500-CI	32 lbs.
42C-500-CI	36 lbs.
48C-500-CI	40 lbs.



5-INCH DIAMETER

SPECS	BELT	D	E	RL	SL
	18"	1.1875"	27"	21.75"	30"
	24"	1.1875"	33"	27.75"	36"
	30"	1.1875"	39"	33.75"	42"
	36"	1.1875"	45"	39.75"	48"
	42"	1.1875"	51"	45.75"	54"
	48"	1.1875"	57"	51.75"	60"
	54"	1.1875"	63"	57.75"	66"
60"	1.1875"	69"	63.75"	72"	

CEMA B

PART #	WEIGHT
18-052-SLR	29 lbs.
24-052-SLR	35 lbs.
30-052-SLR	42 lbs.
36-052-SLR	48 lbs.
42-052-SLR	55 lbs.
48-052-SLR	61 lbs.
54-052-SLR	68 lbs.
60-052-SLR	74 lbs.

6-INCH DIAMETER

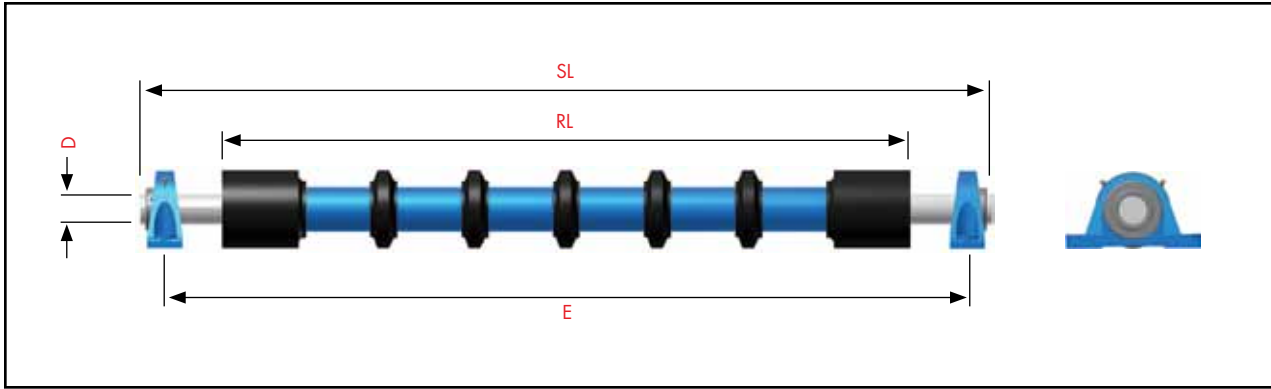
SPECS	BELT	D	E	RL	SL
	18"	1.1875"	27"	21.75"	30"
	24"	1.1875"	33"	27.75"	36"
	30"	1.1875"	39"	33.75"	42"
	36"	1.1875"	45"	39.75"	48"
	42"	1.1875"	51"	45.75"	54"
	48"	1.1875"	57"	51.75"	60"
	54"	1.1875"	63"	57.75"	66"
60"	1.1875"	69"	63.75"	72"	

CEMA B

PART #	WEIGHT
18-062-SLR	32 lbs.
24-062-SLR	40 lbs.
30-062-SLR	47 lbs.
36-062-SLR	55 lbs.
42-062-SLR	63 lbs.
48-062-SLR	71 lbs.
54-062-SLR	78 lbs.
60-062-SLR	86 lbs.



RUBBER DISC RETURN — LIVE SHAFT



5-INCH DIAMETER

SPECS	BELT	D	E	RL	SL
	18"	1.1875"	27"	21.25"	30"
	24"	1.1875"	33"	27.25"	36"
	30"	1.1875"	39"	33.25"	42"
	36"	1.1875"	45"	39.25"	48"
	42"	1.1875"	51"	45.25"	54"
	48"	1.1875"	57"	51.25"	60"
	54"	1.1875"	63"	57.25"	66"
	60"	1.1875"	69"	63.25"	72"
	66"	1.1875"	75"	69.25"	78"
72"	1.1875"	81"	75.25"	84"	

CEMA B

PART #	WEIGHT
18-052-DLR	27 lbs.
24-052-DLR	32 lbs.
30-052-DLR	38 lbs.
36-052-DLR	43 lbs.
42-052-DLR	49 lbs.
48-052-DLR	54 lbs.
54-052-DLR	60 lbs.
60-052-DLR	65 lbs.
66-052-DLR	71 lbs.
72-052-DLR	76 lbs.

6-INCH DIAMETER

SPECS	BELT	D	E	RL	SL
	18"	1.1875"	27"	21.25"	30"
	24"	1.1875"	33"	27.25"	36"
	30"	1.1875"	39"	33.25"	42"
	36"	1.1875"	45"	39.25"	48"
	42"	1.1875"	51"	45.25"	54"
	48"	1.1875"	57"	51.25"	60"
	54"	1.1875"	63"	57.25"	66"
	60"	1.1875"	69"	63.25"	72"
	66"	1.1875"	75"	69.25"	78"
72"	1.1875"	81"	75.25"	84"	

CEMA B

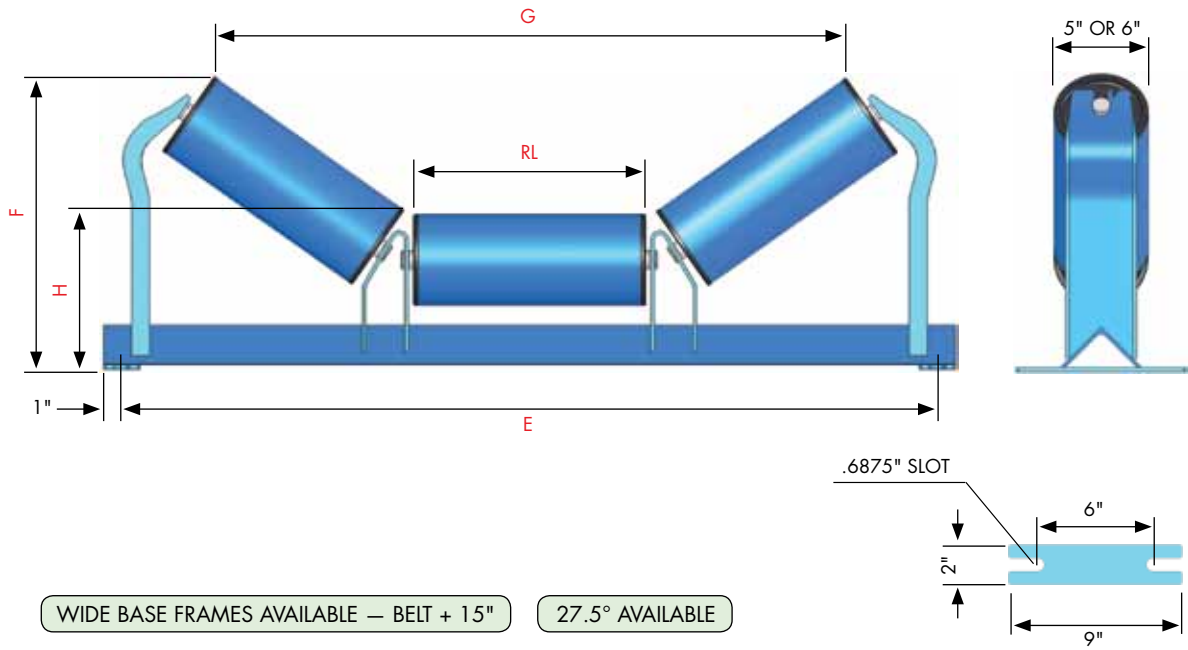
PART #	WEIGHT
18-062-DLR	27 lbs.
24-062-DLR	32 lbs.
30-062-DLR	38 lbs.
36-062-DLR	43 lbs.
42-062-DLR	49 lbs.
48-062-DLR	54 lbs.
54-062-DLR	60 lbs.
60-062-DLR	65 lbs.
66-062-DLR	71 lbs.
72-062-DLR	76 lbs.



3400 SERIES

CEMA C/D

HD EQUAL ROLL STEEL



WIDE BASE FRAMES AVAILABLE — BELT + 1.5"

27.5° AVAILABLE

5-INCH DIAMETER

20° ANGLE	BELT	E	F	G	H	RL
	18"	27"	11.125"	21.75"	8.688"	6.75"
	24"	33"	11.813"	27.5"	8.688"	8.75"
	30"	39"	12.563"	33.25"	8.75"	10.75"
	36"	45"	13.25"	39"	8.75"	12.75"
	42"	51"	14"	44.75"	8.813"	14.75"
	48"	57"	14.75"	50.5"	8.875"	16.75"
	54"	63"	15.5"	56.312"	8.875"	18.75"
60"	69"	16"	62.063"	8.875"	20.75"	
72"	81"	17.5"	73.5"	8.875"	24.75"	

CEMA C

PART #	WEIGHT
18-253-HSE	40 lbs.
24-253-HSE	46 lbs.
30-253-HSE	58 lbs.
36-253-HSE	64 lbs.
42-253-HSE	77 lbs.
48-253-HSE	85 lbs.
54-253-HSE	100 lbs.
60-253-HSE	108 lbs.
72-253-HSE	128 lbs.

CEMA D

PART #	WEIGHT
18-254-HSE	45 lbs.
24-254-HSE	53 lbs.
30-254-HSE	66 lbs.
36-254-HSE	74 lbs.
42-254-HSE	89 lbs.
48-254-HSE	100 lbs.
54-254-HSE	117 lbs.
60-254-HSE	127 lbs.
72-254-HSE	142 lbs.

5-INCH DIAMETER

35° ANGLE	BELT	E	F	G	H	RL
	18"	27"	12.625"	18.875"	8.688"	6.75"
	24"	33"	13.75"	24.125"	8.688"	8.75"
	30"	39"	15"	29.375"	8.75"	10.75"
	36"	45"	16.125"	34.688"	8.75"	12.75"
	42"	51"	17.313"	39.938"	8.813"	14.75"
	48"	57"	18.625"	45.25"	8.875"	16.75"
	54"	63"	19.75"	50.5"	8.875"	18.75"
	60"	69"	20.875"	55.75"	8.875"	20.75"
	72"	81"	23.063"	66.563"	8.875"	24.75"

CEMA C

PART #	WEIGHT
18-353-HSE	41 lbs.
24-353-HSE	47 lbs.
30-353-HSE	59 lbs.
36-353-HSE	66 lbs.
42-353-HSE	78 lbs.
48-353-HSE	87 lbs.
54-353-HSE	103 lbs.
60-353-HSE	111 lbs.
72-353-HSE	131 lbs.

CEMA D

PART #	WEIGHT
18-354-HSE	46 lbs.
24-354-HSE	55 lbs.
30-354-HSE	67 lbs.
36-354-HSE	77 lbs.
42-354-HSE	91 lbs.
48-354-HSE	102 lbs.
54-354-HSE	120 lbs.
60-354-HSE	129 lbs.
72-354-HSE	149 lbs.

5-INCH DIAMETER

45° ANGLE	BELT	E	F	G	H	RL
	18"	27"	13.375"	17"	8.688"	6.75"
	24"	33"	14.813"	21.75"	8.688"	8.75"
	30"	39"	16.25"	26.625"	8.75"	10.75"
	36"	45"	17.688"	31.438"	8.75"	12.75"
	42"	51"	19.188"	36.25"	8.813"	14.75"
	48"	57"	20.625"	41.125"	8.875"	16.75"
	54"	63"	22"	45.938"	8.875"	18.75"
	60"	69"	23.5"	50.75"	8.875"	20.75"
	72"	81"	24.938"	55.563"	8.875"	24.75"

CEMA C

PART #	WEIGHT
18-453-HSE	42 lbs.
24-453-HSE	48 lbs.
30-453-HSE	60 lbs.
36-453-HSE	67 lbs.
42-453-HSE	79 lbs.
48-453-HSE	88 lbs.
54-453-HSE	105 lbs.
60-453-HSE	113 lbs.
72-453-HSE	135 lbs.

CEMA D

PART #	WEIGHT
18-454-HSE	47 lbs.
24-454-HSE	56 lbs.
30-454-HSE	66 lbs.
36-454-HSE	78 lbs.
42-454-HSE	92 lbs.
48-454-HSE	103 lbs.
54-454-HSE	121 lbs.
60-454-HSE	131 lbs.
72-454-HSE	153 lbs.

HEAVYDUTY **HD**

Luff Industries Ltd. carries an extensive line of heavy duty CEMA idlers in the 3400 Series. 5" and 6" diameter rolls, along with standard belt widths ranging in size from 18"-84" are available.

For 30" Belts and above, Luff utilizes a 25mm shaft, 6205 bearing on all CEMA C rollers.

25mm Shaft	6205 Bearing	HD	5" & 6" Rolls Available
All frames are jig welded for consistency and accuracy. Broached slots in the roller shaft lock the frame and roller together, forming a rigid assembly. The formed steel end plates are contoured to provide a clearance area preventing spilled material from wedging.			
The end plates are provided with a locking mechanism: used with top fold conveyors, preventing the roller from becoming dislodged from the frame.			

LOCKDOWN TAB

All Luff frames are equipped with a lock-down tab, located on the end plate and middle bracket.

Every Luff frame is jig welded to assure consistent quality.

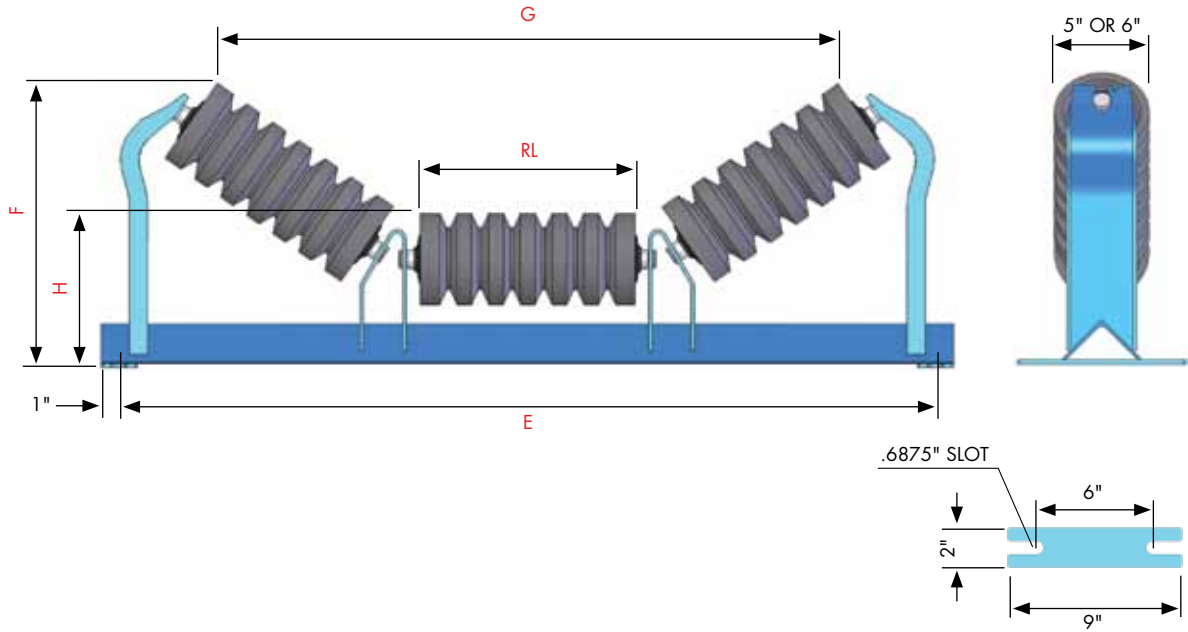
To lock roller into frame, simply move tab 1/4" over shaft to secure.



6-INCH DIAMETER							CEMA C		CEMA D	
20° ANGLE	BELT	E	F	G	H	RL	PART #	WEIGHT	PART #	WEIGHT
	18"	27"	11.625"	21.5"	9.188"	6.75"	18-263-HSE	46 lbs.	18-264-HSE	52 lbs.
	24"	33"	12.375"	27.25"	9.188"	8.75"	24-263-HSE	53 lbs.	24-264-HSE	61 lbs.
	30"	39"	13.125"	33"	9.25"	10.75"	30-263-HSE	65 lbs.	30-264-HSE	75 lbs.
	36"	45"	13.75"	38.75"	9.25"	12.75"	36-263-HSE	73 lbs.	36-264-HSE	85 lbs.
	42"	51"	14.5"	44.5"	9.313"	14.75"	42-263-HSE	88 lbs.	42-264-HSE	101 lbs.
	48"	57"	15.25"	50.25"	9.375"	16.75"	48-263-HSE	96 lbs.	48-264-HSE	113 lbs.
	54"	63"	16"	56"	9.375"	18.75"	54-263-HSE	112 lbs.	54-264-HSE	131 lbs.
	60"	69"	16.625"	61.75"	9.375"	20.75"	60-263-HSE	121 lbs.	60-264-HSE	142 lbs.
72"	81"	18"	73.125"	9.375"	24.75"	72-263-HSE	142 lbs.	72-264-HSE	163 lbs.	

6-INCH DIAMETER							CEMA C		CEMA D	
35° ANGLE	BELT	E	F	G	H	RL	PART #	WEIGHT	PART #	WEIGHT
	18"	27"	13"	18.25"	9.188"	6.75"	18-363-HSE	47 lbs.	18-364-HSE	53 lbs.
	24"	33"	14.125"	23.5"	9.188"	8.75"	24-363-HSE	54 lbs.	24-364-HSE	62 lbs.
	30"	39"	15.375"	28.813"	9.25"	10.75"	30-363-HSE	66 lbs.	30-364-HSE	76 lbs.
	36"	45"	16.5"	34.125"	9.25"	12.75"	36-363-HSE	74 lbs.	36-364-HSE	86 lbs.
	42"	51"	17.813"	39.375"	9.313"	14.75"	42-363-HSE	89 lbs.	42-364-HSE	102 lbs.
	48"	57"	19"	44.625"	9.375"	16.75"	48-363-HSE	97 lbs.	48-364-HSE	114 lbs.
	54"	63"	20.125"	49.938"	9.375"	18.75"	54-363-HSE	115 lbs.	54-364-HSE	134 lbs.
	60"	69"	21.313"	55.25"	9.375"	20.75"	60-363-HSE	124 lbs.	60-364-HSE	145 lbs.
72"	81"	23.5"	66"	9.375"	24.75"	72-363-HSE	145 lbs.	72-364-HSE	166 lbs.	

6-INCH DIAMETER							CEMA C		CEMA D	
45° ANGLE	BELT	E	F	G	H	RL	PART #	WEIGHT	PART #	WEIGHT
	18"	27"	13.563"	15.938"	9.188"	6.375"	18-463-HSE	48 lbs.	18-464-HSE	54 lbs.
	24"	33"	15"	20.813"	9.188"	8.375"	24-463-HSE	55 lbs.	24-464-HSE	63 lbs.
	30"	39"	16.5"	25.688"	9.25"	10.375"	30-463-HSE	67 lbs.	30-464-HSE	77 lbs.
	36"	45"	17.875"	30.5"	9.25"	12.375"	36-463-HSE	76 lbs.	36-464-HSE	88 lbs.
	42"	51"	19.375"	35.25"	9.313"	14.375"	42-463-HSE	90 lbs.	42-464-HSE	103 lbs.
	48"	57"	20.813"	40.25"	9.375"	16.375"	48-463-HSE	99 lbs.	48-464-HSE	116 lbs.
	54"	63"	22.25"	45.125"	9.375"	18.375"	54-463-HSE	116 lbs.	54-464-HSE	135 lbs.
	60"	69"	23.625"	50.875"	9.375"	20.375"	60-463-HSE	125 lbs.	60-464-HSE	146 lbs.
72"	81"	25.063"	55.75"	9.375"	24.75"	72-463-HSE	146 lbs.	72-464-HSE	168 lbs.	



5-INCH DIAMETER

20° ANGLE	BELT	E	F	G	H	RL
	18"	27"	11.125"	21.625"	8.688"	6.5"
	24"	33"	11.813"	27.375"	8.688"	8.5"
	30"	39"	12.563"	33.125"	8.75"	10.5"
	36"	45"	13.25"	38.875"	8.75"	12.5"
	42"	51"	14"	44.625"	8.813"	14.5"
	48"	57"	14.75"	50.375"	8.875"	16.5"
	54"	63"	15.438"	56.125"	8.875"	18.5"
60"	69"	16"	61"	8.875"	20.5"	
72"	81"	17.5"	73.5"	8.875"	24.5"	

CEMA C

PART #	WEIGHT
18-253-HDE	50 lbs.
24-253-HDE	58 lbs.
30-253-HDE	76 lbs.
36-253-HDE	85 lbs.
42-253-HDE	101 lbs.
48-253-HDE	113 lbs.
54-253-HDE	130 lbs.
60-253-HDE	142 lbs.
72-253-HDE	165 lbs.

CEMA D

PART #	WEIGHT
18-254-HDE	56 lbs.
24-254-HDE	66 lbs.
30-254-HDE	84 lbs.
36-254-HDE	94 lbs.
42-254-HDE	112 lbs.
48-254-HDE	125 lbs.
54-254-HDE	143 lbs.
60-254-HDE	156 lbs.
72-254-HDE	173 lbs.

5-INCH DIAMETER

35° ANGLE	BELT	E	F	G	H	RL
	18"	27"	12.625"	18.75"	8.688"	6.5"
	24"	33"	13.75"	24"	8.688"	8.5"
	30"	39"	15"	29.25"	8.75"	10.5"
	36"	45"	16.188"	34.5"	8.75"	12.5"
	42"	51"	17.25"	39.75"	8.813"	14.5"
	48"	57"	18.5"	45"	8.875"	16.5"
	54"	63"	19.625"	50"	8.875"	18.5"
60"	69"	20.875"	55.625"	8.875"	20.5"	
72"	81"	23.063"	66.563"	8.875"	24.5"	

CEMA C

PART #	WEIGHT
18-353-HDE	51 lbs.
24-353-HDE	59 lbs.
30-353-HDE	77 lbs.
36-353-HDE	87 lbs.
42-353-HDE	102 lbs.
48-353-HDE	115 lbs.
54-353-HDE	133 lbs.
60-353-HDE	145 lbs.
72-353-HDE	168 lbs.

CEMA D

PART #	WEIGHT
18-354-HDE	57 lbs.
24-354-HDE	68 lbs.
30-354-HDE	85 lbs.
36-354-HDE	96 lbs.
42-354-HDE	114 lbs.
48-354-HDE	127 lbs.
54-354-HDE	146 lbs.
60-354-HDE	158 lbs.
72-354-HDE	176 lbs.

5-INCH DIAMETER

45° ANGLE	BELT	E	F	G	H	RL
	18"	27"	13.375"	16.75"	8.688"	6.5"
	24"	33"	14.75"	21.625"	8.688"	8.5"
	30"	39"	16.25"	26.5"	8.75"	10.5"
	36"	45"	17.625"	31.25"	8.75"	12.5"
	42"	51"	19.125"	36"	8.813"	14.5"
	48"	57"	20.625"	40.875"	8.875"	16.5"
	54"	63"	22"	45.75"	8.875"	18.5"
60"	69"	23.375"	50.625"	8.875"	20.5"	
72"	81"	24.938"	55.563"	8.875"	24.5"	

CEMA C

PART #	WEIGHT
18-453-HDE	52 lbs.
24-453-HDE	62 lbs.
30-453-HDE	78 lbs.
36-453-HDE	88 lbs.
42-453-HDE	103 lbs.
48-453-HDE	116 lbs.
54-453-HDE	135 lbs.
60-453-HDE	147 lbs.
72-453-HDE	170 lbs.

CEMA D

PART #	WEIGHT
18-454-HDE	58 lbs.
24-454-HDE	68 lbs.
30-454-HDE	86 lbs.
36-454-HDE	97 lbs.
42-454-HDE	115 lbs.
48-454-HDE	128 lbs.
54-454-HDE	147 lbs.
60-454-HDE	160 lbs.
72-454-HDE	181 lbs.

REINFORCED STEEL

Reinforced frame with 3/16" x 3" flat bar running the length of the angle iron and gussets on end plates, is standard for all Luff Industries' 3400 Series D-Impact frames.

This reinforcing can be applied to any series Luff frame, if required.



QUICK REFERENCE

CEMA B	LIGHT DUTY	UP TO 800 STPH (LOW TONNAGE)	SMALL LUMP SIZE
CEMA C	MEDIUM DUTY	UP TO 2,200 STPH	LUMPS UP TO 8"
CEMA D	MEDIUM/HEAVY DUTY	UP TO 3,000 STPH	LUMPS UP TO 10"
CEMA E	HEAVY DUTY	UP TO 6,000 STPH	LUMPS UP TO 12"

6-INCH DIAMETER

20° ANGLE

BELT	E	F	G	H	RL
18"	27"	11.625"	21.5"	9.188"	6.5"
24"	33"	12.375"	27"	9.188"	8.5"
30"	39"	13.063"	32.75"	9.25"	10.5"
36"	45"	13.75"	38.5"	9.25"	12.5"
42"	51"	14.5"	44.25"	9.313"	14.5"
48"	57"	15.25"	50"	9.375"	16.5"
54"	63"	15.938"	55.75"	9.375"	18.5"
60"	69"	16.625"	61.5"	9.375"	20.5"
72"	81"	18"	73.125"	9.375"	24.5"

CEMA C

PART #	WEIGHT
18-263-HDE	54 lbs.
24-263-HDE	65 lbs.
30-263-HDE	84 lbs.
36-263-HDE	95 lbs.
42-263-HDE	115 lbs.
48-263-HDE	127 lbs.
54-263-HDE	146 lbs.
60-263-HDE	160 lbs.
72-263-HDE	182 lbs.

CEMA D

PART #	WEIGHT
18-264-HDE	60 lbs.
24-264-HDE	73 lbs.
30-264-HDE	92 lbs.
36-264-HDE	105 lbs.
42-264-HDE	125 lbs.
48-264-HDE	140 lbs.
54-264-HDE	160 lbs.
60-264-HDE	174 lbs.
72-264-HDE	193 lbs.

6-INCH DIAMETER

35° ANGLE

BELT	E	F	G	H	RL
18"	27"	13"	18.125"	9.188"	6.5"
24"	33"	14.125"	23.375"	9.188"	8.5"
30"	39"	15.375"	28.625"	9.25"	10.5"
36"	45"	16.5"	34"	9.25"	12.5"
42"	51"	17.75"	39.25"	9.313"	14.5"
48"	57"	18.875"	44.5"	9.375"	16.5"
54"	63"	20.125"	49.75"	9.375"	18.5"
60"	69"	21.25"	55"	9.375"	20.5"
72"	81"	23.5"	66"	9.375"	24.5"

CEMA C

PART #	WEIGHT
18-363-HDE	55 lbs.
24-363-HDE	66 lbs.
30-363-HDE	85 lbs.
36-363-HDE	97 lbs.
42-363-HDE	116 lbs.
48-363-HDE	128 lbs.
54-363-HDE	148 lbs.
60-363-HDE	162 lbs.
72-363-HDE	184 lbs.

CEMA D

PART #	WEIGHT
18-364-HDE	61 lbs.
24-364-HDE	74 lbs.
30-364-HDE	93 lbs.
36-364-HDE	106 lbs.
42-364-HDE	126 lbs.
48-364-HDE	141 lbs.
54-364-HDE	163 lbs.
60-364-HDE	177 lbs.
72-364-HDE	198 lbs.

6-INCH DIAMETER

45° ANGLE

BELT	E	F	G	H	RL
18"	27"	13.688"	15.938"	9.188"	6.375"
24"	33"	15.125"	20.813"	9.188"	8.375"
30"	39"	16.625"	25.625"	9.25"	10.375"
36"	45"	18"	30.438"	9.25"	12.375"
42"	51"	19.438"	35.313"	9.313"	14.375"
48"	57"	21"	40.125"	9.375"	16.375"
54"	63"	22.375"	44.938"	9.375"	18.375"
60"	69"	23.75"	49.813"	9.375"	20.375"
72"	81"	25.063"	55.75"	9.375"	24.375"

CEMA C

PART #	WEIGHT
18-463-HDE	56 lbs.
24-463-HDE	67 lbs.
30-463-HDE	86 lbs.
36-463-HDE	98 lbs.
42-463-HDE	117 lbs.
48-463-HDE	130 lbs.
54-463-HDE	149 lbs.
60-463-HDE	163 lbs.
72-463-HDE	186 lbs.

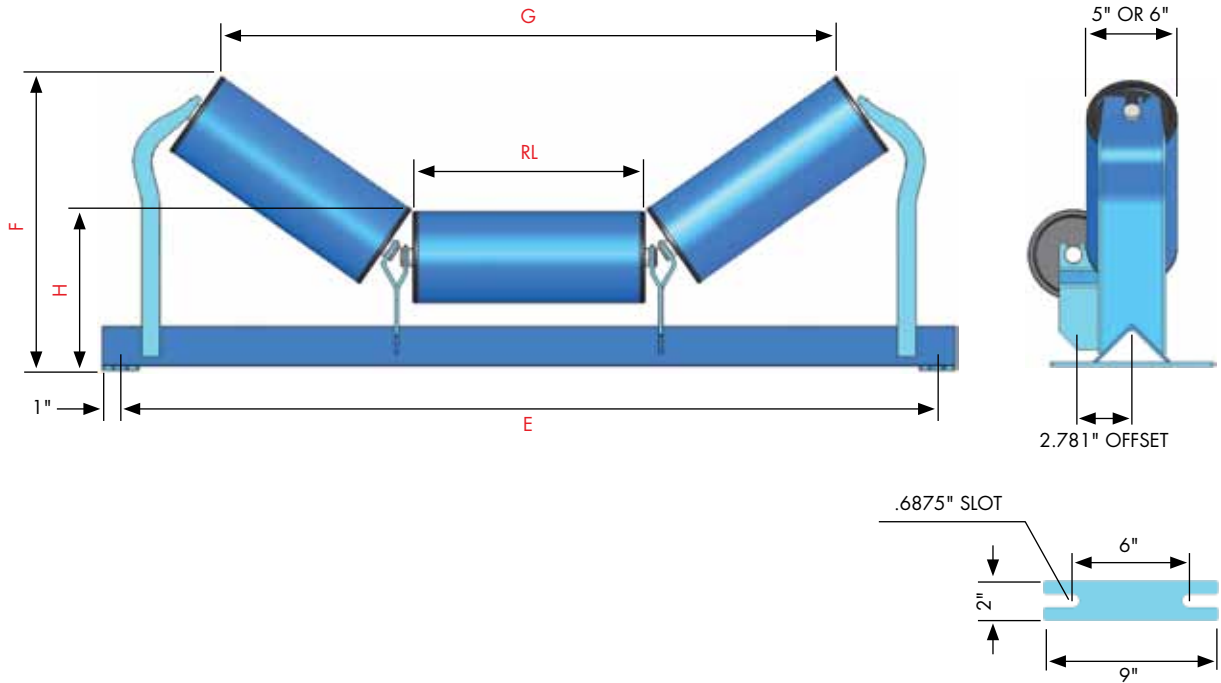
CEMA D

PART #	WEIGHT
18-464-HDE	62 lbs.
24-464-HDE	75 lbs.
30-464-HDE	94 lbs.
36-464-HDE	108 lbs.
42-464-HDE	127 lbs.
48-464-HDE	142 lbs.
54-464-HDE	164 lbs.
60-464-HDE	178 lbs.
72-464-HDE	200 lbs.

3400 SERIES

CEMA C/D

HD OFFSET CENTER ROLL STEEL



		5-INCH DIAMETER					CEMA C		CEMA D	
20° ANGLE	BELT	E	F	G	H	RL	PART #	WEIGHT	PART #	WEIGHT
	18"	27"	11.125"	21.75"	8.688"	6.75"	18-253-HSEO	41 lbs.	18-254-HSEO	46 lbs.
	24"	33"	11.813"	27.5"	8.688"	8.75"	24-253-HSEO	47 lbs.	24-254-HSEO	54 lbs.
	30"	39"	12.563"	33.25"	8.75"	10.75"	30-253-HSEO	59 lbs.	30-254-HSEO	67 lbs.
	36"	45"	13.25"	39"	8.75"	12.75"	36-253-HSEO	65 lbs.	36-254-HSEO	75 lbs.
	42"	51"	14"	44.75"	8.813"	14.75"	42-253-HSEO	78 lbs.	42-254-HSEO	90 lbs.
	48"	57"	14.75"	50.5"	8.875"	16.75"	48-253-HSEO	86 lbs.	48-254-HSEO	101 lbs.
	54"	63"	15.5"	56.312"	8.875"	18.75"	54-253-HSEO	101 lbs.	54-254-HSEO	118 lbs.
60"	69"	16"	62.063"	8.875"	20.75"	60-253-HSEO	109 lbs.	60-254-HSEO	128 lbs.	
72"	81"	17.438"	71.5"	8.875"	24.75"	72-253-HSEO	124 lbs.	72-254-HSEO	143 lbs.	

		5-INCH DIAMETER					CEMA C		CEMA D	
35° ANGLE	BELT	E	F	G	H	RL	PART #	WEIGHT	PART #	WEIGHT
	18"	27"	12.625"	18.875"	8.688"	6.75"	18-353-HSEO	43 lbs.	18-354-HSEO	48 lbs.
	24"	33"	13.75"	24.125"	8.688"	8.75"	24-353-HSEO	49 lbs.	24-354-HSEO	56 lbs.
	30"	39"	15"	29.375"	8.75"	10.75"	30-353-HSEO	61 lbs.	30-354-HSEO	69 lbs.
	36"	45"	16.125"	34.688"	8.75"	12.75"	36-353-HSEO	67 lbs.	36-354-HSEO	78 lbs.
	42"	51"	17.313"	39.938"	8.813"	14.75"	42-353-HSEO	80 lbs.	42-354-HSEO	92 lbs.
	48"	57"	18.625"	45.25"	8.875"	16.75"	48-353-HSEO	88 lbs.	48-354-HSEO	103 lbs.
	54"	63"	19.75"	50.5"	8.875"	18.75"	54-353-HSEO	104 lbs.	54-354-HSEO	121 lbs.
60"	69"	20.875"	55.75"	8.875"	20.75"	60-353-HSEO	112 lbs.	60-354-HSEO	131 lbs.	
72"	81"	23.25"	65.5"	8.875"	24.75"	72-353-HSEO	127 lbs.	72-354-HSEO	146 lbs.	

		5-INCH DIAMETER					CEMA C		CEMA D	
45° ANGLE	BELT	E	F	G	H	RL	PART #	WEIGHT	PART #	WEIGHT
	18"	27"	13.375"	17"	8.688"	6.75"	18-453-HSEO	44 lbs.	18-454-HSEO	49 lbs.
	24"	33"	14.813"	21.75"	8.688"	8.75"	24-453-HSEO	50 lbs.	24-454-HSEO	57 lbs.
	30"	39"	16.25"	26.625"	8.75"	10.75"	30-453-HSEO	62 lbs.	30-454-HSEO	70 lbs.
	36"	45"	17.688"	31.438"	8.75"	12.75"	36-453-HSEO	69 lbs.	36-454-HSEO	79 lbs.
	42"	51"	19.188"	36.25"	8.813"	14.75"	42-453-HSEO	81 lbs.	42-454-HSEO	93 lbs.
	48"	57"	20.625"	41.125"	8.875"	16.75"	48-453-HSEO	90 lbs.	48-454-HSEO	105 lbs.
	54"	63"	22"	45.938"	8.875"	18.75"	54-453-HSEO	106 lbs.	54-454-HSEO	123 lbs.
60"	69"	23.5"	50.75"	8.875"	20.75"	60-453-HSEO	114 lbs.	60-454-HSEO	133 lbs.	
72"	81"	26.375"	60"	8.875"	24.75"	72-453-HSEO	129 lbs.	72-454-HSEO	148 lbs.	



OFFSET CENTER ROLL IMPACT

Also available _____

QUICK REFERENCE

CEMA B	LIGHT DUTY	UP TO 800 STPH (LOW TONNAGE)	SMALL LUMP SIZE
CEMA C	MEDIUM DUTY	UP TO 2,200 STPH	LUMPS UP TO 8"
CEMA D	MEDIUM/HEAVY DUTY	UP TO 3,000 STPH	LUMPS UP TO 10"
CEMA E	HEAVY DUTY	UP TO 6,000 STPH	LUMPS UP TO 12"

All CEMA D rated Offset Center Roll Impact frames feature Luff reinforcement.

6-INCH DIAMETER

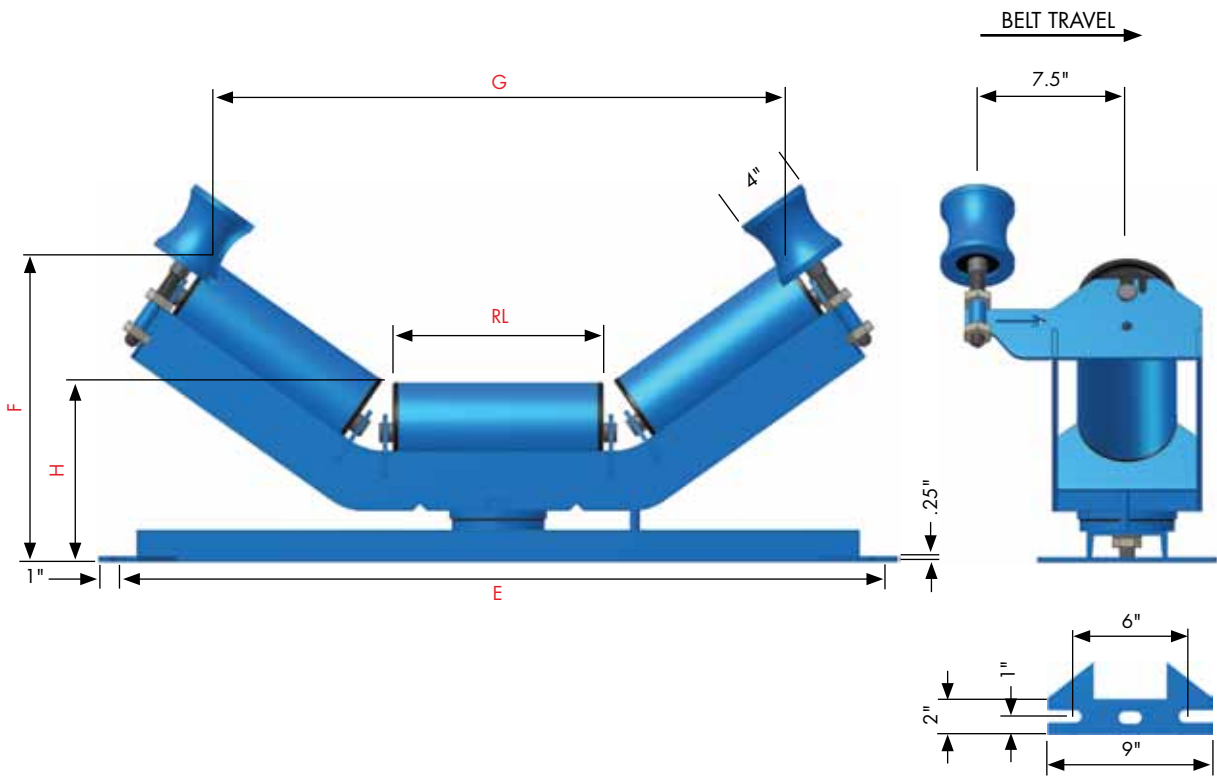
20° ANGLE	6-INCH DIAMETER						CEMA C		CEMA D	
	BELT	E	F	G	H	RL	PART #	WEIGHT	PART #	WEIGHT
18"	27"	11.625"	21.5"	9.188"	6.75"	18-263-HSEO	47 lbs.	18-264-HSEO	53 lbs.	
24"	33"	12.375"	27.25"	9.188"	8.75"	24-263-HSEO	54 lbs.	24-264-HSEO	62 lbs.	
30"	39"	13.125"	33"	9.25"	10.75"	30-263-HSEO	66 lbs.	30-264-HSEO	76 lbs.	
36"	45"	13.75"	38.75"	9.25"	12.75"	36-263-HSEO	74 lbs.	36-264-HSEO	86 lbs.	
42"	51"	14.5"	44.5"	9.313"	14.75"	42-263-HSEO	89 lbs.	42-264-HSEO	102 lbs.	
48"	57"	15.25"	50.25"	9.375"	16.75"	48-263-HSEO	97 lbs.	48-264-HSEO	114 lbs.	
54"	63"	16"	56"	9.375"	18.75"	54-263-HSEO	113 lbs.	54-264-HSEO	132 lbs.	
60"	69"	16.625"	61.75"	9.375"	20.75"	60-263-HSEO	122 lbs.	60-264-HSEO	143 lbs.	
72"	81"	17.875"	71.125"	9.375"	24.75"	72-263-HSEO	137 lbs.	72-264-HSEO	158 lbs.	

6-INCH DIAMETER

35° ANGLE	6-INCH DIAMETER						CEMA C		CEMA D	
	BELT	E	F	G	H	RL	PART #	WEIGHT	PART #	WEIGHT
18"	27"	13"	18.25"	9.188"	6.75"	18-363-HSEO	49 lbs.	18-364-HSEO	55 lbs.	
24"	33"	14.125"	23.5"	9.188"	8.75"	24-363-HSEO	56 lbs.	24-364-HSEO	64 lbs.	
30"	39"	15.375"	28.813"	9.25"	10.75"	30-363-HSEO	68 lbs.	30-364-HSEO	78 lbs.	
36"	45"	16.5"	34.125"	9.25"	12.75"	36-363-HSEO	76 lbs.	36-364-HSEO	88 lbs.	
42"	51"	17.813"	39.375"	9.313"	14.75"	42-363-HSEO	91 lbs.	42-364-HSEO	104 lbs.	
48"	57"	19"	44.625"	9.375"	16.75"	48-363-HSEO	99 lbs.	48-364-HSEO	116 lbs.	
54"	63"	20.125"	49.938"	9.375"	18.75"	54-363-HSEO	116 lbs.	54-364-HSEO	135 lbs.	
60"	69"	21.313"	55.25"	9.375"	20.75"	60-363-HSEO	125 lbs.	60-364-HSEO	146 lbs.	
72"	81"	23.688"	64.933"	9.375"	24.75"	72-363-HSEO	140 lbs.	72-364-HSEO	161 lbs.	

6-INCH DIAMETER

45° ANGLE	6-INCH DIAMETER						CEMA C		CEMA D	
	BELT	E	F	G	H	RL	PART #	WEIGHT	PART #	WEIGHT
18"	27"	13.563"	15.938"	9.188"	6.375"	18-463-HSEO	50 lbs.	18-464-HSEO	56 lbs.	
24"	33"	15"	20.813"	9.188"	8.375"	24-463-HSEO	57 lbs.	24-464-HSEO	65 lbs.	
30"	39"	16.5"	25.688"	9.25"	10.375"	30-463-HSEO	69 lbs.	30-464-HSEO	79 lbs.	
36"	45"	17.875"	30.5"	9.25"	12.375"	36-463-HSEO	78 lbs.	36-464-HSEO	90 lbs.	
42"	51"	19.375"	35.25"	9.313"	14.375"	42-463-HSEO	92 lbs.	42-464-HSEO	105 lbs.	
48"	57"	21.813"	40.25"	9.375"	16.375"	48-463-HSEO	101 lbs.	48-464-HSEO	118 lbs.	
54"	63"	22.25"	45.125"	9.375"	18.375"	54-463-HSEO	117 lbs.	54-464-HSEO	137 lbs.	
60"	69"	23.625"	50.875"	9.375"	20.375"	60-463-HSEO	127 lbs.	60-464-HSEO	148 lbs.	
72"	81"	26.688"	59"	9.375"	24.75"	72-463-HSEO	142 lbs.	72-464-HSEO	163 lbs.	



5-INCH DIAMETER

20° ANGLE	BELT	E	F	G	H	RL
	18"	27"	11.625"	21.688"	9"	6.75"
24"	33"	12.375"	27.5"	9"	8.75"	
30"	39"	13"	33.25"	9"	10.75"	
36"	45"	13.75"	39"	9"	12.75"	
42"	51"	14.375"	44.75"	9"	14.75"	
48"	57"	15.125"	50.5"	9"	16.75"	
54"	63"	15.75"	56.25"	9"	18.75"	
60"	69"	16.5"	62"	9"	20.75"	
72"	81"	17.688"	73.5"	9"	24.75"	

CEMA C

PART #	WEIGHT
18-253-HSTE-U	70 lbs.
24-253-HSTE-U	79 lbs.
30-253-HSTE-U	93 lbs.
36-253-HSTE-U	102 lbs.
42-253-HSTE-U	116 lbs.
48-253-HSTE-U	123 lbs.
54-253-HSTE-U	144 lbs.
60-253-HSTE-U	154 lbs.
72-253-HSTE-U	178 lbs.

CEMA D

PART #	WEIGHT
18-254-HSTE-U	71 lbs.
24-254-HSTE-U	86 lbs.
30-254-HSTE-U	96 lbs.
36-254-HSTE-U	112 lbs.
42-254-HSTE-U	129 lbs.
48-254-HSTE-U	143 lbs.
54-254-HSTE-U	162 lbs.
60-254-HSTE-U	174 lbs.
72-254-HSTE-U	198 lbs.

5-INCH DIAMETER

35° ANGLE	BELT	E	F	G	H	RL
	18"	27"	13"	19"	9"	6.75"
24"	33"	13.125"	24.25"	9"	8.75"	
30"	39"	15.25"	29.5"	9"	10.75"	
36"	45"	16.375"	34.75"	9"	12.75"	
42"	51"	17.5"	40"	9"	14.75"	
48"	57"	18.625"	45.313"	9"	16.75"	
54"	63"	19.75"	50.5"	9"	18.75"	
60"	69"	20.875"	55.75"	9"	20.75"	
72"	81"	23.313"	66.438"	9"	24.75"	

CEMA C

PART #	WEIGHT
18-353-HSTE-U	71 lbs.
24-353-HSTE-U	80 lbs.
30-353-HSTE-U	94 lbs.
36-353-HSTE-U	103 lbs.
42-353-HSTE-U	117 lbs.
48-353-HSTE-U	124 lbs.
54-353-HSTE-U	145 lbs.
60-353-HSTE-U	156 lbs.
72-353-HSTE-U	180 lbs.

CEMA D

PART #	WEIGHT
18-354-HSTE-U	72 lbs.
24-354-HSTE-U	87 lbs.
30-354-HSTE-U	97 lbs.
36-354-HSTE-U	113 lbs.
42-354-HSTE-U	130 lbs.
48-354-HSTE-U	144 lbs.
54-354-HSTE-U	163 lbs.
60-354-HSTE-U	175 lbs.
72-354-HSTE-U	199 lbs.

5-INCH DIAMETER

45° ANGLE	BELT	E	F	G	H	RL
	18"	27"	13.875"	17.75"	9"	6.75"
24"	33"	15.25"	21.75"	9"	8.75"	
30"	39"	16.75"	27.375"	9"	10.75"	
36"	45"	18.125"	31.375"	9"	12.75"	
42"	51"	19.625"	37"	9"	14.75"	
48"	57"	21"	41.75"	9"	16.75"	
54"	63"	22.5"	46.625"	9"	18.75"	
60"	69"	23.875"	50.375"	9"	20.75"	
72"	81"	26.563"	61.063"	9"	24.75"	

CEMA C

PART #	WEIGHT
18-453-HSTE-U	73 lbs.
24-453-HSTE-U	82 lbs.
30-453-HSTE-U	96 lbs.
36-453-HSTE-U	105 lbs.
42-453-HSTE-U	119 lbs.
48-453-HSTE-U	126 lbs.
54-453-HSTE-U	147 lbs.
60-453-HSTE-U	156 lbs.
72-453-HSTE-U	180 lbs.

CEMA D

PART #	WEIGHT
18-454-HSTE-U	74 lbs.
24-454-HSTE-U	89 lbs.
30-454-HSTE-U	99 lbs.
36-454-HSTE-U	115 lbs.
42-454-HSTE-U	132 lbs.
48-454-HSTE-U	146 lbs.
54-454-HSTE-U	165 lbs.
60-454-HSTE-U	177 lbs.
72-454-HSTE-U	201 lbs.

DEPENDABLE

Every Luff Guide Roller is designed to use two deep-groove ball bearings, snap rings and standard triple labyrinth seal to ensure strength and durability. Rollers come complete with training assembly, or can be purchased separately with weld- or bolt-on bracket. Call toll-free for more information: **1.888.349.LUFF (5833)**.

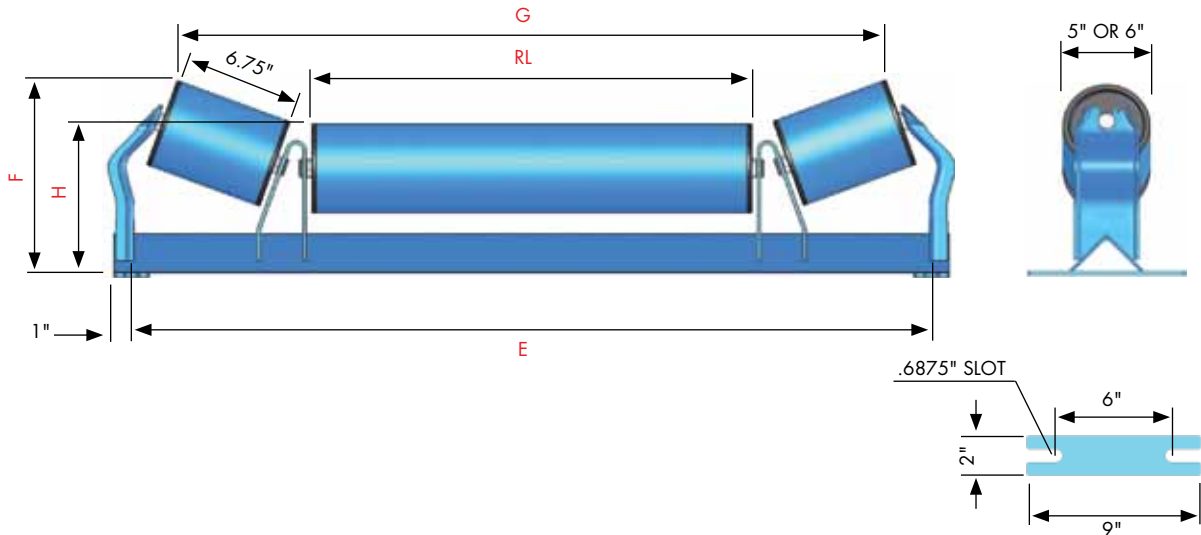


6-INCH DIAMETER						CEMA C		CEMA D		
20° ANGLE	BELT	E	F	G	H	RL	PART #	WEIGHT	PART #	WEIGHT
	18"	27"	12"	21.375"	9.5"	6.75"	18-263-HSTE-U	77 lbs.	18-264-HSTE-U	83 lbs.
	24"	33"	12.75"	27.125"	9.5"	8.75"	24-263-HSTE-U	86 lbs.	24-264-HSTE-U	94 lbs.
	30"	39"	13.375"	32.875"	9.5"	10.75"	30-263-HSTE-U	101 lbs.	30-264-HSTE-U	110 lbs.
	36"	45"	14.125"	38.625"	9.5"	12.75"	36-263-HSTE-U	111 lbs.	36-264-HSTE-U	123 lbs.
	42"	51"	14.75"	44.375"	9.5"	14.75"	42-263-HSTE-U	127 lbs.	42-264-HSTE-U	140 lbs.
	48"	57"	15.5"	50.125"	9.5"	16.75"	48-263-HSTE-U	138 lbs.	48-264-HSTE-U	155 lbs.
	54"	63"	16.125"	55.875"	9.5"	18.75"	54-263-HSTE-U	156 lbs.	54-264-HSTE-U	175 lbs.
	60"	69"	16.875"	61.625"	9.5"	20.75"	60-263-HSTE-U	167 lbs.	60-264-HSTE-U	189 lbs.
72"	81"	17.938"	73.188"	9.5"	24.75"	72-263-HSTE-U	191 lbs.	72-264-HSTE-U	213 lbs.	

6-INCH DIAMETER						CEMA C		CEMA D		
35° ANGLE	BELT	E	F	G	H	RL	PART #	WEIGHT	PART #	WEIGHT
	18"	27"	13.375"	18.5"	9.5"	6.75"	18-363-HSTE-U	78 lbs.	18-364-HSTE-U	84 lbs.
	24"	33"	14.5"	23.75"	9.5"	8.75"	24-363-HSTE-U	87 lbs.	24-364-HSTE-U	95 lbs.
	30"	39"	15.625"	29"	9.5"	10.75"	30-363-HSTE-U	102 lbs.	30-364-HSTE-U	111 lbs.
	36"	45"	16.75"	34.25"	9.5"	12.75"	36-363-HSTE-U	112 lbs.	36-364-HSTE-U	124 lbs.
	42"	51"	17.875"	39.5"	9.5"	14.75"	42-363-HSTE-U	128 lbs.	42-364-HSTE-U	141 lbs.
	48"	57"	19"	44.75"	9.5"	16.75"	48-363-HSTE-U	139 lbs.	48-364-HSTE-U	156 lbs.
	54"	63"	20.125"	50"	9.5"	18.75"	54-363-HSTE-U	157 lbs.	54-364-HSTE-U	176 lbs.
	60"	69"	21.25"	55.25"	9.5"	20.75"	60-363-HSTE-U	168 lbs.	60-364-HSTE-U	190 lbs.
72"	81"	23.688"	65.813"	9.5"	24.75"	72-363-HSTE-U	192 lbs.	72-364-HSTE-U	214 lbs.	

6-INCH DIAMETER						CEMA C		CEMA D		
45° ANGLE	BELT	E	F	G	H	RL	PART #	WEIGHT	PART #	WEIGHT
	18"	27"	14.25"	17"	9.5"	6.375"	18-463-HSTE-U	80 lbs.	18-464-HSTE-U	86 lbs.
	24"	33"	15.625"	21.75"	9.5"	8.375"	24-463-HSTE-U	89 lbs.	24-464-HSTE-U	97 lbs.
	30"	39"	17.125"	26.625"	9.5"	10.375"	30-463-HSTE-U	104 lbs.	30-464-HSTE-U	113 lbs.
	36"	45"	18.5"	31.375"	9.5"	12.375"	36-463-HSTE-U	114 lbs.	36-464-HSTE-U	126 lbs.
	42"	51"	20"	36.25"	9.5"	14.375"	42-463-HSTE-U	130 lbs.	42-464-HSTE-U	143 lbs.
	48"	57"	21.375"	41"	9.5"	16.375"	48-463-HSTE-U	141 lbs.	48-464-HSTE-U	158 lbs.
	54"	63"	22.875"	45.875"	9.5"	18.375"	54-463-HSTE-U	159 lbs.	54-464-HSTE-U	178 lbs.
	60"	69"	24.25"	50.625"	9.5"	20.375"	60-463-HSTE-U	170 lbs.	60-464-HSTE-U	192 lbs.
72"	81"	26.938"	60.313"	9.5"	24.75"	72-463-HSTE-U	194 lbs.	72-464-HSTE-U	216 lbs.	

TOLL-FREE
1-888-349-LUFF (5833)



5-INCH DIAMETER

20° ANGLE	BELT	E	F	G	H	RL
	24"	33"	11.125"	27.375"	8.688"	12.75"
30"	39"	11.188"	33.375"	8.75"	18.75"	
36"	45"	11.188"	39.375"	8.75"	24.75"	
42"	51"	11.25"	45.375"	8.813"	30.75"	
48"	57"	11.313"	51.375"	8.875"	36.75"	
54"	63"	11.313"	57.375"	8.875"	42.75"	
60"	69"	11.313"	63.375"	8.875"	48.75"	
72"	81"	11.313"	75.375"	8.875"	60.75"	

CEMA C

PART #	WEIGHT
24-253-HSP	46 lbs.
30-253-HSP	57 lbs.
36-253-HSP	64 lbs.
42-253-HSP	76 lbs.
48-253-HSP	86 lbs.
—	101 lbs.
—	109 lbs.
—	127 lbs.

CEMA D

PART #	WEIGHT
24-254-HSP	53 lbs.
30-254-HSP	66 lbs.
36-254-HSP	76 lbs.
42-254-HSP	90 lbs.
48-254-HSP	99 lbs.
54-254-HSP	113 lbs.
60-254-HSP	126 lbs.
72-254-HSP	146 lbs.

5-INCH DIAMETER

35° ANGLE	BELT	E	F	G	H	RL
	24"	33"	12.625"	24.875"	8.688"	12.75"
30"	39"	12.688"	30.875"	8.75"	18.75"	
36"	45"	12.688"	36.875"	8.75"	24.75"	
42"	51"	12.75"	42.875"	8.813"	30.75"	
48"	57"	12.813"	48.875"	8.875"	36.75"	
54"	63"	12.813"	54.875"	8.875"	42.75"	
60"	69"	12.813"	60.875"	8.875"	48.75"	
72"	81"	12.813"	72.875"	8.875"	60.75"	

CEMA C

PART #	WEIGHT
24-353-HSP	47 lbs.
30-353-HSP	58 lbs.
36-353-HSP	65 lbs.
42-353-HSP	77 lbs.
48-353-HSP	87 lbs.
—	102 lbs.
—	110 lbs.
—	128 lbs.

CEMA D

PART #	WEIGHT
24-354-HSP	54 lbs.
30-354-HSP	67 lbs.
36-354-HSP	77 lbs.
42-354-HSP	91 lbs.
48-354-HSP	100 lbs.
54-354-HSP	114 lbs.
60-354-HSP	127 lbs.
72-354-HSP	147 lbs.

6-INCH DIAMETER

20° ANGLE	BELT	E	F	G	H	RL
	24"	33"	11.625"	27"	9.188"	12.75"
30"	39"	11.688"	33"	9.25"	18.75"	
36"	45"	11.688"	39"	9.25"	24.75"	
42"	51"	11.75"	45"	9.313"	30.75"	
48"	57"	11.813"	51"	9.375"	36.75"	
54"	63"	11.813"	57"	9.375"	42.75"	
60"	69"	11.813"	63"	9.375"	48.75"	
72"	81"	11.813"	75"	9.375"	60.75"	

CEMA C

PART #	WEIGHT
24-263-HSP	53 lbs.
30-263-HSP	65 lbs.
36-263-HSP	73 lbs.
42-263-HSP	86 lbs.
48-263-HSP	97 lbs.
—	113 lbs.
—	122 lbs.
—	140 lbs.

CEMA D

PART #	WEIGHT
24-264-HSP	62 lbs.
30-264-HSP	76 lbs.
36-264-HSP	86 lbs.
42-264-HSP	101 lbs.
48-264-HSP	112 lbs.
54-264-HSP	129 lbs.
60-264-HSP	140 lbs.
72-264-HSP	160 lbs.

6-INCH DIAMETER

35° ANGLE	BELT	E	F	G	H	RL
	24"	33"	13"	24.25"	9.188"	12.75"
30"	39"	13.063"	30.25"	9.25"	18.75"	
36"	45"	13.063"	36.25"	9.25"	24.75"	
42"	51"	13.125"	42.25"	9.313"	30.75"	
48"	57"	13.188"	48.25"	9.375"	36.75"	
54"	63"	13.188"	54.25"	9.375"	42.75"	
60"	69"	13.188"	60.25"	9.375"	48.75"	
72"	81"	13.188"	72.25"	9.375"	60.75"	

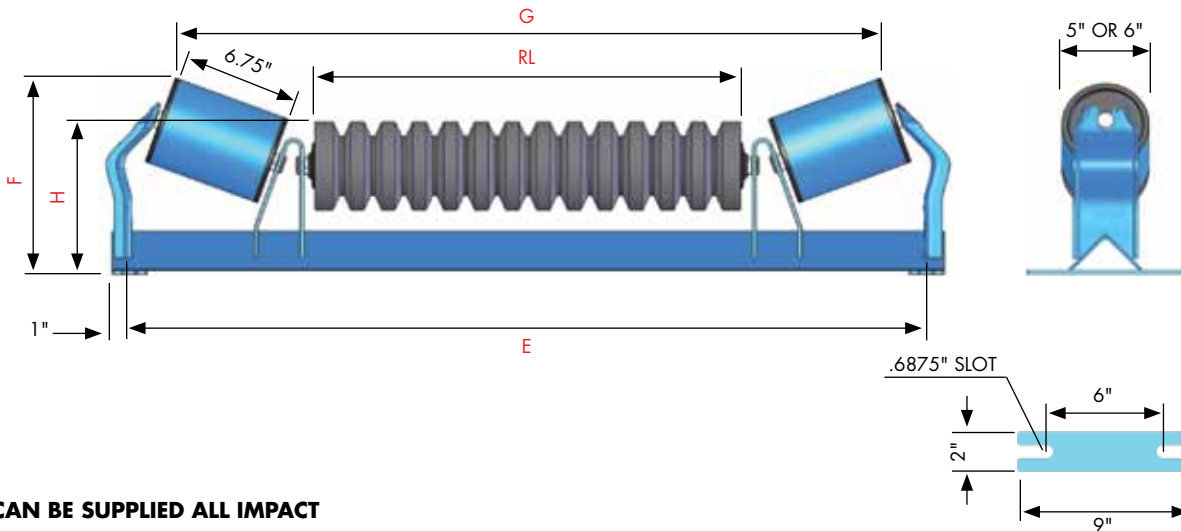
CEMA C

PART #	WEIGHT
24-363-HSP	54 lbs.
30-363-HSP	66 lbs.
36-363-HSP	74 lbs.
42-363-HSP	87 lbs.
48-363-HSP	98 lbs.
—	114 lbs.
—	123 lbs.
—	141 lbs.

CEMA D

PART #	WEIGHT
24-364-HSP	63 lbs.
30-364-HSP	77 lbs.
36-364-HSP	87 lbs.
42-364-HSP	102 lbs.
48-364-HSP	113 lbs.
54-364-HSP	130 lbs.
60-364-HSP	141 lbs.
72-364-HSP	161 lbs.

HD UNEQUAL ROLL IMPACT



CAN BE SUPPLIED ALL IMPACT

5-INCH DIAMETER

20° ANGLE

BELT	E	F	G	H	RL
24"	33"	11.125"	27.375"	8.688"	12.5"
30"	39"	11.188"	33.375"	8.75"	18.5"
36"	45"	11.188"	39.375"	8.75"	24.5"
42"	51"	11.25"	45.375"	8.813"	30.5"
48"	57"	11.313"	51.375"	8.875"	36.5"
54"	63"	11.313"	57.375"	8.875"	42.5"
60"	69"	11.313"	63.375"	8.875"	48.5"
72"	81"	11.313"	75.375"	8.875"	60.5"

CEMA C

PART #	WEIGHT
24-253-HDP	57 lbs.
30-253-HDP	70 lbs.
36-253-HDP	80 lbs.
42-253-HDP	96 lbs.
48-253-HDP	107 lbs.
—	127 lbs.
—	139 lbs.
—	157 lbs.

CEMA D

PART #	WEIGHT
24-254-HDP	62 lbs.
30-254-HDP	77 lbs.
36-254-HDP	88 lbs.
42-254-HDP	105 lbs.
48-254-HDP	117 lbs.
54-254-HDP	135 lbs.
60-254-HDP	147 lbs.
72-254-HDP	166 lbs.

5-INCH DIAMETER

35° ANGLE

BELT	E	F	G	H	RL
24"	33"	12.625"	24.875"	8.688"	12.5"
30"	39"	12.688"	30.875"	8.75"	18.5"
36"	45"	12.688"	36.875"	8.75"	24.5"
42"	51"	12.75"	42.875"	8.813"	30.5"
48"	57"	12.813"	48.875"	8.875"	36.5"
54"	63"	12.813"	54.875"	8.875"	42.5"
60"	69"	12.813"	60.875"	8.875"	48.5"
72"	81"	12.813"	72.875"	8.875"	60.5"

CEMA C

PART #	WEIGHT
24-353-HDP	58 lbs.
30-353-HDP	71 lbs.
36-353-HDP	81 lbs.
42-353-HDP	97 lbs.
48-353-HDP	108 lbs.
—	128 lbs.
—	140 lbs.
—	158 lbs.

CEMA D

PART #	WEIGHT
24-354-HDP	63 lbs.
30-354-HDP	78 lbs.
36-354-HDP	89 lbs.
42-354-HDP	106 lbs.
48-354-HDP	118 lbs.
54-354-HDP	136 lbs.
60-354-HDP	148 lbs.
72-354-HDP	167 lbs.

6-INCH DIAMETER

20° ANGLE

BELT	E	F	G	H	RL
24"	33"	11.625"	27"	9.188"	12.5"
30"	39"	11.688"	33"	9.25"	18.5"
36"	45"	11.688"	39"	9.25"	24.5"
42"	51"	11.75"	45"	9.313"	30.5"
48"	57"	11.813"	51"	9.375"	36.5"
54"	63"	11.813"	57"	9.375"	42.5"
60"	69"	11.813"	63"	9.375"	48.5"
72"	81"	11.813"	75"	9.375"	60.5"

CEMA C

PART #	WEIGHT
24-263-HDP	64 lbs.
30-263-HDP	80 lbs.
36-263-HDP	91 lbs.
42-263-HDP	109 lbs.
48-263-HDP	122 lbs.
—	144 lbs.
—	158 lbs.
—	170 lbs.

CEMA D

PART #	WEIGHT
24-264-HDP	70 lbs.
30-264-HDP	87 lbs.
36-264-HDP	100 lbs.
42-264-HDP	120 lbs.
48-264-HDP	133 lbs.
54-264-HDP	153 lbs.
60-264-HDP	167 lbs.
72-264-HDP	177 lbs.

6-INCH DIAMETER

35° ANGLE

BELT	E	F	G	H	RL
24"	33"	13"	24.25"	9.188"	12.5"
30"	39"	13.063"	30.25"	9.25"	18.5"
36"	45"	13.063"	36.25"	9.25"	24.5"
42"	51"	13.125"	42.25"	9.313"	30.5"
48"	57"	13.188"	48.25"	9.375"	36.5"
54"	63"	13.188"	54.25"	9.375"	42.5"
60"	69"	13.188"	60.25"	9.375"	48.5"
72"	81"	13.188"	72.25"	9.375"	60.5"

CEMA C

PART #	WEIGHT
24-363-HDP	65 lbs.
30-363-HDP	81 lbs.
36-363-HDP	92 lbs.
42-363-HDP	110 lbs.
48-363-HDP	123 lbs.
—	145 lbs.
—	159 lbs.
—	176 lbs.

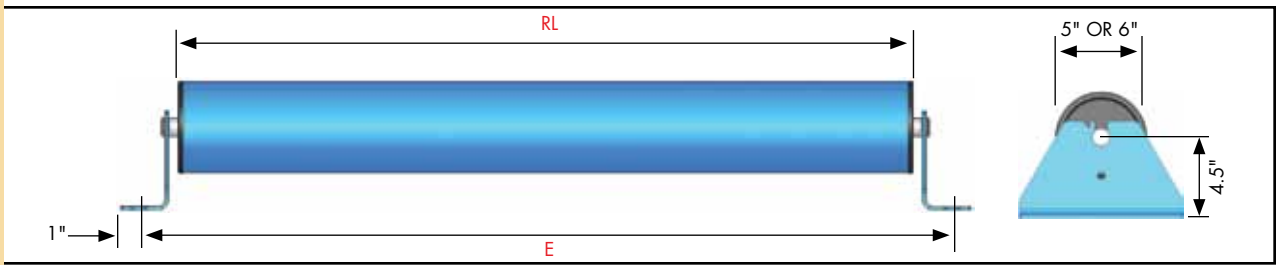
CEMA D

PART #	WEIGHT
24-364-HDP	71 lbs.
30-364-HDP	88 lbs.
36-364-HDP	101 lbs.
42-364-HDP	121 lbs.
48-364-HDP	134 lbs.
54-364-HDP	154 lbs.
60-364-HDP	168 lbs.
72-364-HDP	188 lbs.

3400 SERIES

CEMA C/D

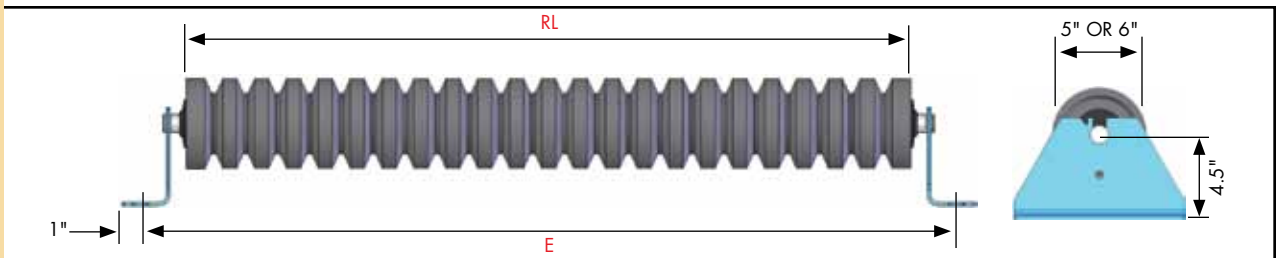
HD FLAT CARRYING



5-INCH DIAMETER			CEMA C		CEMA D		
SPECS	BELT	E	RL	PART #	WEIGHT	PART #	WEIGHT
	18"	27"	21.75"	18-053-HS	25 lbs.	18-054-HS	32 lbs.
	24"	33"	27.75"	24-053-HS	29 lbs.	24-054-HS	39 lbs.
	30"	39"	33.75"	30-053-HS	34 lbs.	30-054-HS	46 lbs.
	36"	45"	39.75"	36-053-HS	38 lbs.	36-054-HS	52 lbs.
	42"	51"	45.75"	42-053-HS	43 lbs.	42-054-HS	59 lbs.
	48"	57"	51.75"	48-053-HS	47 lbs.	48-054-HS	66 lbs.
	54"	63"	57.75"	—	—	54-054-HS	72 lbs.
	60"	69"	63.75"	—	—	60-054-HS	79 lbs.
72"	81"	75.75"	—	—	72-054-HS	93 lbs.	

6-INCH DIAMETER			CEMA C		CEMA D		
SPECS	BELT	E	RL	PART #	WEIGHT	PART #	WEIGHT
	18"	27"	21.75"	18-063-HS	29 lbs.	18-064-HS	37 lbs.
	24"	33"	27.75"	24-063-HS	35 lbs.	24-064-HS	44 lbs.
	30"	39"	33.75"	30-063-HS	40 lbs.	30-064-HS	52 lbs.
	36"	45"	39.75"	36-063-HS	46 lbs.	36-064-HS	60 lbs.
	42"	51"	45.75"	42-063-HS	51 lbs.	42-064-HS	67 lbs.
	48"	57"	51.75"	48-063-HS	57 lbs.	48-064-HS	75 lbs.
	54"	63"	57.75"	—	—	54-064-HS	83 lbs.
	60"	69"	63.75"	—	—	60-064-HS	91 lbs.
72"	81"	75.75"	—	—	72-064-HS	107 lbs.	

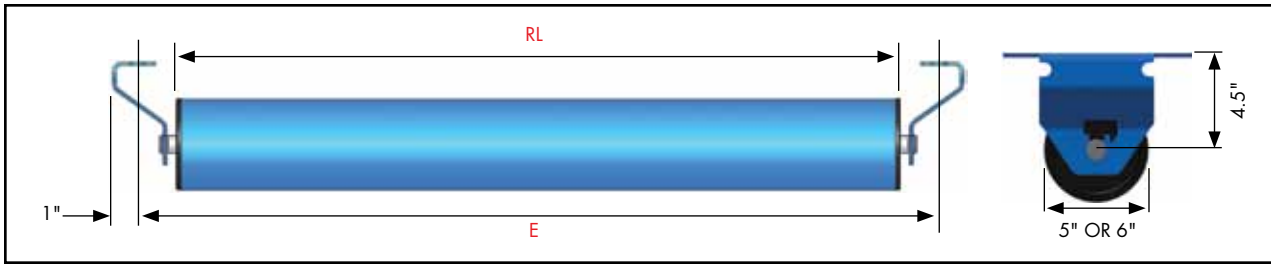
HD FLAT IMPACT



5-INCH DIAMETER			CEMA C		CEMA D		
SPECS	BELT	E	RL	PART #	WEIGHT	PART #	WEIGHT
	18"	27"	21.5"	18-053-HD	32 lbs.	18-054-HD	36 lbs.
	24"	33"	27.5"	24-053-HD	39 lbs.	24-054-HD	44 lbs.
	30"	39"	33.5"	30-053-HD	46 lbs.	30-054-HD	52 lbs.
	36"	45"	39.5"	36-053-HD	53 lbs.	36-054-HD	61 lbs.
	42"	51"	45.5"	42-053-HD	60 lbs.	42-054-HD	68 lbs.
	48"	57"	51.5"	48-053-HD	67 lbs.	48-054-HD	77 lbs.
	54"	63"	57.5"	—	—	54-054-HD	84 lbs.
	60"	69"	63.5"	—	—	60-054-HD	94 lbs.
72"	81"	75.5"	—	—	72-054-HD	110 lbs.	

6-INCH DIAMETER			CEMA C		CEMA D		
SPECS	BELT	E	RL	PART #	WEIGHT	PART #	WEIGHT
	18"	27"	21.5"	18-063-HD	38 lbs.	18-064-HD	43 lbs.
	24"	33"	27.5"	24-063-HD	47 lbs.	24-064-HD	52 lbs.
	30"	39"	33.5"	30-063-HD	56 lbs.	30-064-HD	62 lbs.
	36"	45"	39.5"	36-063-HD	66 lbs.	36-064-HD	73 lbs.
	42"	51"	45.5"	42-063-HD	74 lbs.	42-064-HD	82 lbs.
	48"	57"	51.5"	48-063-HD	83 lbs.	48-064-HD	93 lbs.
	54"	63"	57.5"	—	—	54-064-HD	102 lbs.
	60"	69"	63.5"	—	—	60-064-HD	112 lbs.
72"	81"	75.5"	—	—	72-064-HD	130 lbs.	

HD STEEL RETURN ROLL



5-INCH DIAMETER

SPECS	BELT	E	RL
	18"	27"	21.75"
	24"	33"	27.75"
	30"	39"	33.75"
	36"	45"	39.75"
	42"	51"	45.75"
	48"	57"	51.75"
	54"	63"	57.75"
	60"	69"	63.75"
72"	81"	75.75"	

CEMA C

PART #	WEIGHT
18-053-OSR	25 lbs.
24-053-OSR	29 lbs.
30-053-OSR	34 lbs.
36-053-OSR	38 lbs.
42-053-OSR	43 lbs.
48-053-OSR	47 lbs.
—	—
—	—
—	—

CEMA D

PART #	WEIGHT
18-054-OSR	32 lbs.
24-054-OSR	39 lbs.
30-054-OSR	46 lbs.
36-054-OSR	52 lbs.
42-054-OSR	59 lbs.
48-054-OSR	66 lbs.
54-054-OSR	72 lbs.
60-054-OSR	79 lbs.
72-054-OSR	93 lbs.

6-INCH DIAMETER

SPECS	BELT	E	RL
	18"	27"	21.75"
	24"	33"	27.75"
	30"	39"	33.75"
	36"	45"	39.75"
	42"	51"	45.75"
	48"	57"	51.75"
	54"	63"	57.75"
	60"	69"	63.75"
72"	81"	75.75"	

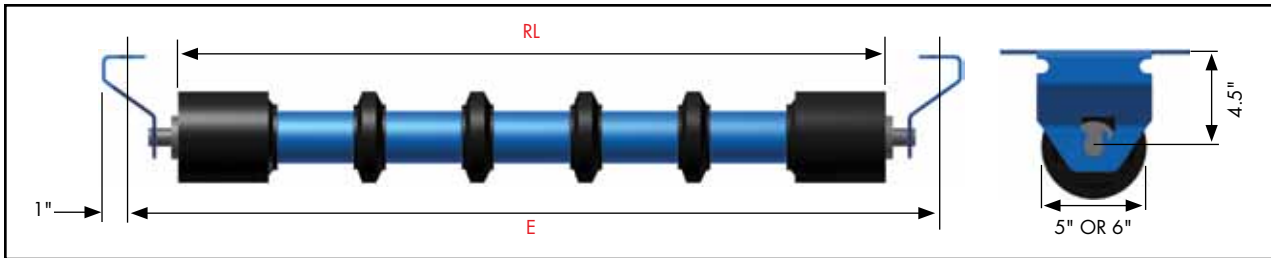
CEMA C

PART #	WEIGHT
18-063-OSR	29 lbs.
24-063-OSR	35 lbs.
30-063-OSR	40 lbs.
36-063-OSR	46 lbs.
42-063-OSR	51 lbs.
48-063-OSR	57 lbs.
—	—
—	—
—	—

CEMA D

PART #	WEIGHT
18-064-OSR	37 lbs.
24-064-OSR	44 lbs.
30-064-OSR	52 lbs.
36-064-OSR	60 lbs.
42-064-OSR	67 lbs.
48-064-OSR	75 lbs.
54-064-OSR	83 lbs.
60-064-OSR	91 lbs.
72-064-OSR	107 lbs.

HD RUBBER DISC RETURN



5-INCH DIAMETER

SPECS	BELT	E	RL
	18"	27"	21.25"
	24"	33"	27.25"
	30"	39"	33.25"
	36"	45"	39.25"
	42"	51"	45.25"
	48"	57"	51.25"
	54"	63"	57.25"
	60"	69"	63.25"
72"	81"	75.25"	

CEMA C

PART #	WEIGHT
18-053-ODR	28 lbs.
24-053-ODR	33 lbs.
30-053-ODR	38 lbs.
36-053-ODR	43 lbs.
42-053-ODR	48 lbs.
48-053-ODR	53 lbs.
—	—
—	—
—	—

CEMA D

PART #	WEIGHT
18-054-ODR	33 lbs.
24-054-ODR	40 lbs.
30-054-ODR	47 lbs.
36-054-ODR	53 lbs.
42-054-ODR	60 lbs.
48-054-ODR	67 lbs.
54-054-ODR	73 lbs.
60-054-ODR	80 lbs.
72-054-ODR	94 lbs.

6-INCH DIAMETER

SPECS	BELT	E	RL
	18"	27"	21.25"
	24"	33"	27.25"
	30"	39"	33.25"
	36"	45"	39.25"
	42"	51"	45.25"
	48"	57"	51.25"
	54"	63"	57.25"
	60"	69"	63.25"
72"	81"	75.25"	

CEMA C

PART #	WEIGHT
18-063-ODR	32 lbs.
24-063-ODR	37 lbs.
30-063-ODR	43 lbs.
36-063-ODR	49 lbs.
42-063-ODR	54 lbs.
48-063-ODR	60 lbs.
—	—
—	—
—	—

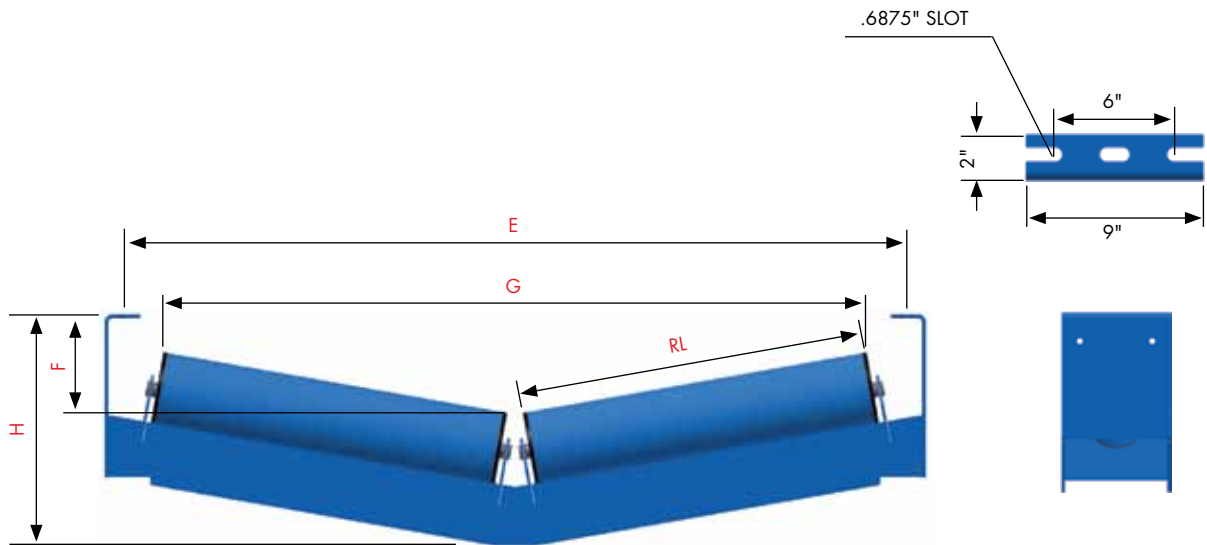
CEMA D

PART #	WEIGHT
18-064-ODR	37 lbs.
24-064-ODR	44 lbs.
30-064-ODR	52 lbs.
36-064-ODR	59 lbs.
42-064-ODR	66 lbs.
48-064-ODR	73 lbs.
54-064-ODR	80 lbs.
60-064-ODR	88 lbs.
72-064-ODR	104 lbs.

3400 SERIES

CEMA C/D

HD STEEL V-RETURN



INVERTED V-DESIGN AVAILABLE

5-INCH DIAMETER

10° ANGLE	BELT	E	F	G	H	RL
	18"	27"	4"	22"	12.625"	10.75"
24"	33"	4.5"	27.938"	13.1875"	13.75"	
30"	39"	5"	33.875"	13.6875"	16.75"	
36"	45"	5.563"	39.75"	14.1875"	19.75"	
42"	51"	6.125"	45.688"	14.75"	22.75"	
48"	57"	6.625"	51.563"	15.25"	25.75"	
54"	63"	7.125"	57.5"	15.75"	28.75"	
60"	69"	7.625"	63.375"	16.25"	31.75"	
72"	81"	8.625"	66.688"	17.25"	34.75"	

CEMA C

PART #	WEIGHT
18-153-HSR	57 lbs.
24-153-HSR	62 lbs.
30-153-HSR	73 lbs.
36-153-HSR	80 lbs.
42-153-HSR	93 lbs.
48-153-HSR	99 lbs.
54-153-HSR	113 lbs.
60-153-HSR	121 lbs.
72-153-HSR	142 lbs.

CEMA D

PART #	WEIGHT
18-154-HSR	61 lbs.
24-154-HSR	69 lbs.
30-154-HSR	83 lbs.
36-154-HSR	92 lbs.
42-154-HSR	107 lbs.
48-154-HSR	117 lbs.
54-154-HSR	132 lbs.
60-154-HSR	143 lbs.
72-154-HSR	164 lbs.

6-INCH DIAMETER

10° ANGLE	BELT	E	F	G	H	RL
	18"	27"	3.5"	21.183"	12.625"	10.75"
24"	33"	4"	27.75"	13.1875"	13.75"	
30"	39"	4.5"	33.688"	13.6875"	16.75"	
36"	45"	5.063"	39.563"	14.1875"	19.75"	
42"	51"	5.625"	45.5"	14.75"	22.75"	
48"	57"	6.125"	51.063"	15.25"	25.75"	
54"	63"	6.625"	57"	15.75"	28.75"	
60"	69"	7.125"	62.875"	16.25"	31.75"	
72"	81"	8.125"	66.563"	17.25"	34.75"	

CEMA C

PART #	WEIGHT
18-163-HSR	61 lbs.
24-163-HSR	69 lbs.
30-163-HSR	80 lbs.
36-163-HSR	88 lbs.
42-163-HSR	101 lbs.
48-163-HSR	110 lbs.
54-163-HSR	125 lbs.
60-163-HSR	134 lbs.
72-163-HSR	156 lbs.

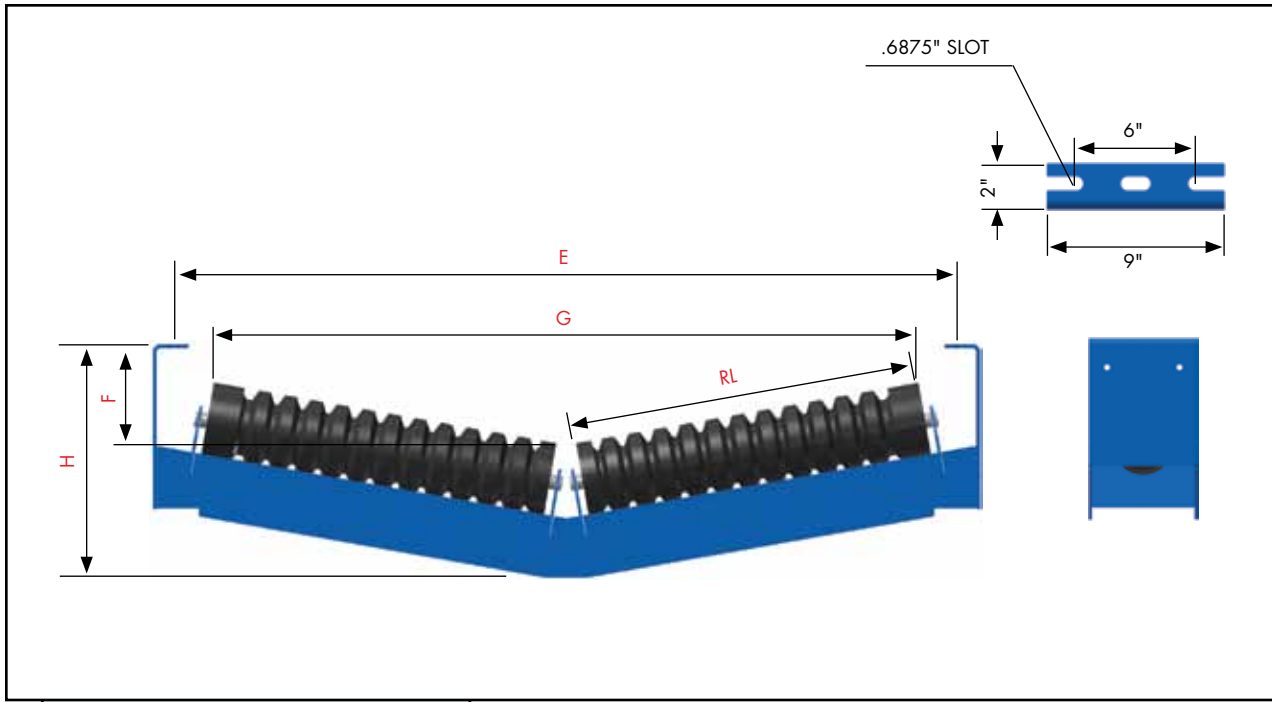
CEMA D

PART #	WEIGHT
18-164-HSR	68 lbs.
24-164-HSR	77 lbs.
30-164-HSR	92 lbs.
36-164-HSR	100 lbs.
42-164-HSR	117 lbs.
48-164-HSR	128 lbs.
54-164-HSR	145 lbs.
60-164-HSR	150 lbs.
72-164-HSR	178 lbs.

HEAVY DUTY HD



HD DISC V-RETURN



3400 SERIES

CEMA C/D

INVERTED V-DESIGN AVAILABLE

5-INCH DIAMETER

10° ANGLE	BELT	E	F	G	H	RL
	18"	27"	4"	21.75"	12.625"	10.5"
	24"	33"	4.5"	27.688"	13.1875"	13.5"
	30"	39"	5"	33.625"	13.6875"	16.5"
	36"	45"	5.563"	39.5"	14.1875"	19.5"
	42"	51"	6.125"	45.438"	14.75"	22.5"
	48"	57"	6.625"	51.313"	15.25"	25.5"
	54"	63"	7.125"	57.25"	15.75"	28.5"
60"	69"	7.625"	63.125"	16.25"	31.5"	
72"	81"	8.625"	66.438"	17.25"	34.5"	

CEMA C

PART #	WEIGHT
18-153-HDR	63 lbs.
24-153-HDR	72 lbs.
30-153-HDR	84 lbs.
36-153-HDR	94 lbs.
42-153-HDR	109 lbs.
48-153-HDR	118 lbs.
54-153-HDR	134 lbs.
60-153-HDR	145 lbs.
72-153-HDR	167 lbs.

CEMA D

PART #	WEIGHT
18-154-HDR	66 lbs.
24-154-HDR	75 lbs.
30-154-HDR	90 lbs.
36-154-HDR	101 lbs.
42-154-HDR	116 lbs.
48-154-HDR	127 lbs.
54-154-HDR	144 lbs.
60-154-HDR	156 lbs.
72-154-HDR	178 lbs.

6-INCH DIAMETER

10° ANGLE	BELT	E	F	G	H	RL
	18"	27"	3.5"	21.688"	12.625"	10.5"
	24"	33"	4"	27.5"	13.1875"	13.5"
	30"	39"	4.5"	33.438"	13.6875"	16.5"
	36"	45"	5.063"	39.313"	14.1875"	19.5"
	42"	51"	5.625"	45.25"	14.75"	22.5"
	48"	57"	6.125"	50.813"	15.25"	25.5"
	54"	63"	6.625"	56.75"	15.75"	28.5"
	60"	69"	7.125"	62.625"	16.25"	31.5"
	72"	81"	8.125"	66.313"	17.25"	34.5"

CEMA C

PART #	WEIGHT
18-163-HDR	69 lbs.
24-163-HDR	79 lbs.
30-163-HDR	94 lbs.
36-163-HDR	100 lbs.
42-163-HDR	122 lbs.
48-163-HDR	132 lbs.
54-163-HDR	151 lbs.
60-163-HDR	164 lbs.
72-163-HDR	186 lbs.

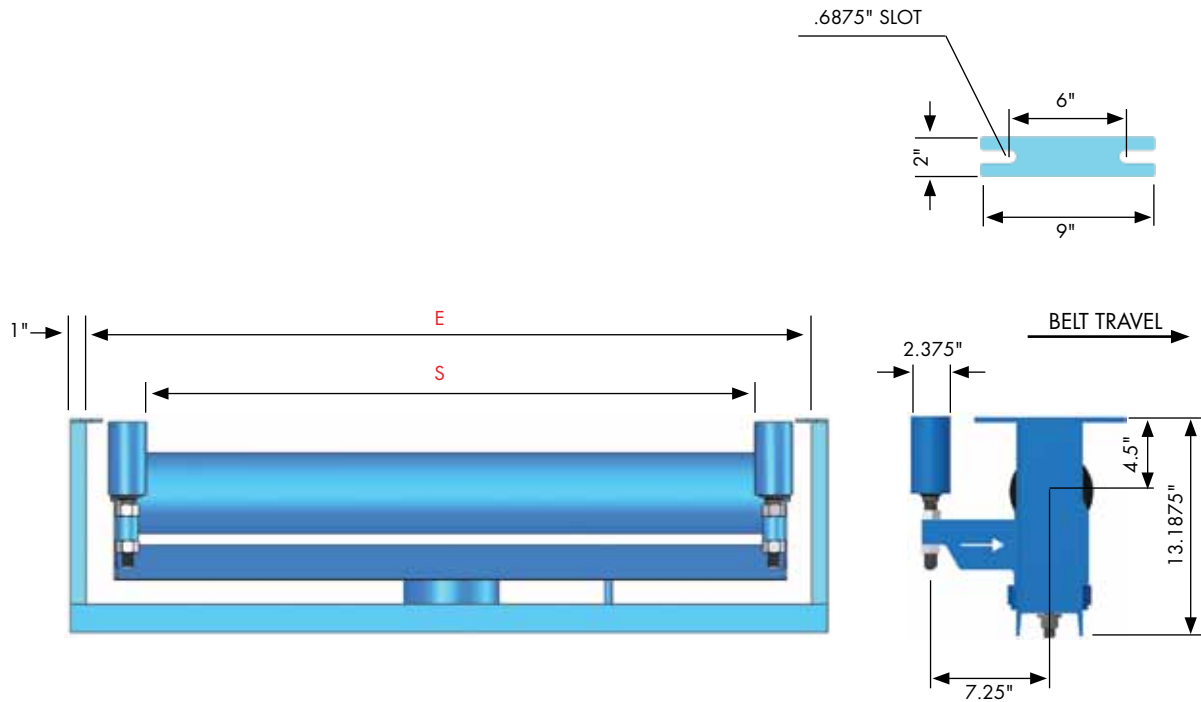
CEMA D

PART #	WEIGHT
18-164-HDR	71 lbs.
24-164-HDR	82 lbs.
30-164-HDR	99 lbs.
36-164-HDR	112 lbs.
42-164-HDR	130 lbs.
48-164-HDR	142 lbs.
54-164-HDR	161 lbs.
60-164-HDR	175 lbs.
72-164-HDR	198 lbs.

QUICK REFERENCE

CEMA B	LIGHT DUTY	UP TO 800 STPH (LOW TONNAGE)	SMALL LUMP SIZE
CEMA C	MEDIUM DUTY	UP TO 2,200 STPH	LUMPS UP TO 8"
CEMA D	MEDIUM/HEAVY DUTY	UP TO 3,000 STPH	LUMPS UP TO 10"
CEMA E	HEAVY DUTY	UP TO 6,000 STPH	LUMPS UP TO 12"

TOLL-FREE
1-888-349-LUFF (5833)

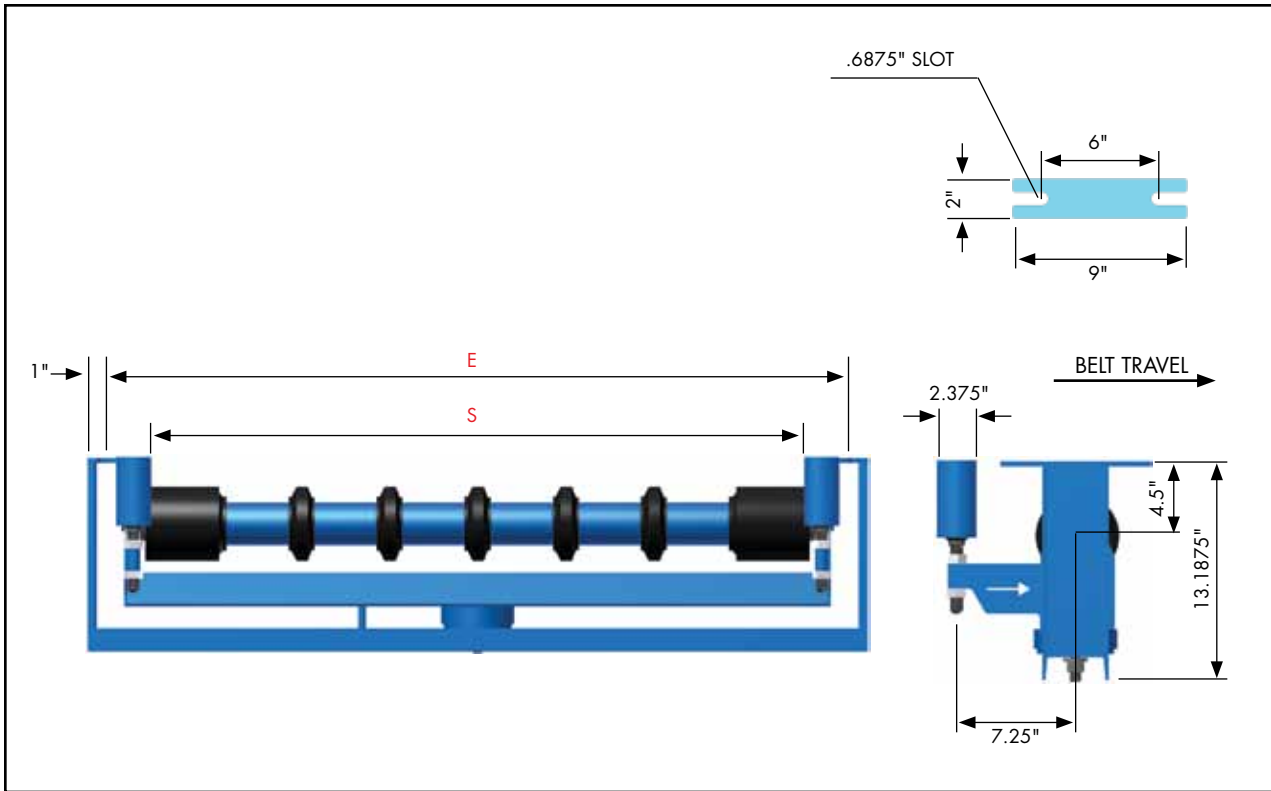


5-INCH DIAMETER			CEMA C		CEMA D	
BELT	E	S	PART #	WEIGHT	PART #	WEIGHT
18"	27"	20.3125"	18-053-HSRT	69 lbs.	18-054-HSRT	76 lbs.
24"	33"	26.3125"	24-053-HSRT	77 lbs.	24-054-HSRT	87 lbs.
30"	39"	32.3215"	30-053-HSRT	90 lbs.	30-054-HSRT	102 lbs.
36"	45"	38.3125"	36-053-HSRT	99 lbs.	36-054-HSRT	113 lbs.
42"	51"	44.3125"	42-053-HSRT	114 lbs.	42-054-HSRT	130 lbs.
48"	57"	50.3125"	48-053-HSRT	124 lbs.	48-054-HSRT	145 lbs.
54"	63"	56.3125"	—	—	54-054-HSRT	160 lbs.
60"	69"	62.3125"	—	—	60-054-HSRT	173 lbs.
72"	81"	74.3125"	—	—	72-054-HSRT	203 lbs.

6-INCH DIAMETER			CEMA C		CEMA D	
BELT	E	S	PART #	WEIGHT	PART #	WEIGHT
18"	27"	20.3125"	18-063-HSRT	73 lbs.	18-064-HSRT	81 lbs.
24"	33"	26.3125"	24-063-HSRT	83 lbs.	24-064-HSRT	92 lbs.
30"	39"	32.3215"	30-063-HSRT	96 lbs.	30-064-HSRT	108 lbs.
36"	45"	38.3125"	36-063-HSRT	107 lbs.	36-064-HSRT	121 lbs.
42"	51"	44.3125"	42-063-HSRT	122 lbs.	42-064-HSRT	138 lbs.
48"	57"	50.3125"	48-063-HSRT	134 lbs.	48-064-HSRT	152 lbs.
54"	63"	56.3125"	—	—	54-064-HSRT	171 lbs.
60"	69"	62.3125"	—	—	60-064-HSRT	185 lbs.
72"	81"	74.3125"	—	—	72-064-HSRT	215 lbs.

HD DISC RETURN TRAINING

3400 SERIES CEMA C/D



5-INCH DIAMETER			CEMA C		CEMA D		
SPECS	BELT	E	S	PART #	WEIGHT	PART #	WEIGHT
	18"	27"	20.3125"	18-053-HDRT	72 lbs.	18-054-HDRT	77 lbs.
	24"	33"	26.3125"	24-053-HDRT	81 lbs.	24-054-HDRT	88 lbs.
	30"	39"	32.3215"	30-053-HDRT	94 lbs.	30-054-HDRT	103 lbs.
	36"	45"	38.3125"	36-053-HDRT	104 lbs.	36-054-HDRT	114 lbs.
	42"	51"	44.3125"	42-053-HDRT	119 lbs.	42-054-HDRT	131 lbs.
	48"	57"	50.3125"	48-053-HDRT	130 lbs.	48-054-HDRT	146 lbs.
	54"	63"	56.3125"	—	—	54-054-HDRT	161 lbs.
	60"	69"	62.3125"	—	—	60-054-HDRT	174 lbs.
72"	81"	74.3125"	—	—	72-054-HDRT	205 lbs.	

6-INCH DIAMETER			CEMA C		CEMA D		
SPECS	BELT	E	S	PART #	WEIGHT	PART #	WEIGHT
	18"	27"	20.3125"	18-063-HDRT	76 lbs.	18-064-HDRT	81 lbs.
	24"	33"	26.3125"	24-063-HDRT	85 lbs.	24-064-HDRT	92 lbs.
	30"	39"	32.3215"	30-063-HDRT	99 lbs.	30-064-HDRT	108 lbs.
	36"	45"	38.3125"	36-063-HDRT	110 lbs.	36-064-HDRT	120 lbs.
	42"	51"	44.3125"	42-063-HDRT	125 lbs.	42-064-HDRT	137 lbs.
	48"	57"	50.3125"	48-063-HDRT	137 lbs.	48-064-HDRT	150 lbs.
	54"	63"	56.3125"	—	—	54-064-HDRT	168 lbs.
	60"	69"	62.3125"	—	—	60-064-HDRT	182 lbs.
72"	81"	74.3125"	—	—	72-064-HDRT	212 lbs.	

QUALITY SERVICE QSD DEPENDABILITY

Attention to detail is an important factor to Luff's product line. Every component Luff Industries manufactures is made to the highest quality available.

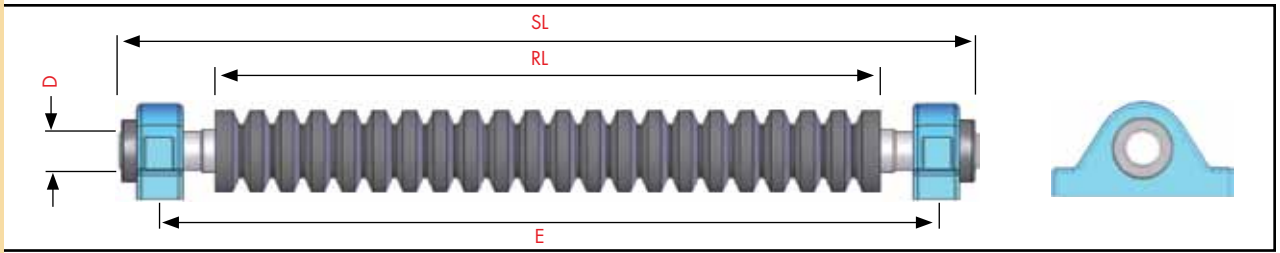


TOLL-FREE
1-888-349-LUFF (5833)

3400 SERIES

CEMA D/E

HD FLAT IMPACT LIVE SHAFT



5-INCH DIAMETER

SPECS	BELT	D	E	RL	SL
	18"	1.937"	27"	21.5"	31"
	24"	1.937"	33"	27.5"	37"
	30"	1.937"	39"	33.5"	43"
	36"	2.187"	45"	39.5"	49"
	42"	2.187"	51"	45.5"	55"
	48"	2.187"	57"	51.5"	61"
	54"	2.187"	63"	57.5"	67"
	60"	2.187"	69"	63.5"	73"
	72"	2.187"	81"	75.5"	85"

CEMA D

PART #	WEIGHT
18-054-HDL	61 lbs.
24-054-HDL	75 lbs.
30-054-HDL	90 lbs.
36-054-HDL	106 lbs.
42-054-HDL	121 lbs.
48-054-HDL	135 lbs.
54-054-HDL	149 lbs.
60-054-HDL	163 lbs.
72-054-HDL	193 lbs.

6-INCH DIAMETER

SPECS	BELT	D	E	RL	SL
	18"	1.937"	27"	21.5"	31"
	24"	1.937"	33"	27.5"	37"
	30"	1.937"	39"	33.5"	43"
	36"	2.187"	45"	39.5"	49"
	42"	2.187"	51"	45.5"	55"
	48"	2.187"	57"	51.5"	61"
	54"	2.187"	63"	57.5"	67"
	60"	2.187"	69"	63.5"	73"
	72"	2.187"	81"	75.5"	85"

CEMA D

PART #	WEIGHT
18-064-HDL	67 lbs.
24-064-HDL	82 lbs.
30-064-HDL	100 lbs.
36-064-HDL	117 lbs.
42-064-HDL	133 lbs.
48-064-HDL	150 lbs.
54-064-HDL	165 lbs.
60-064-HDL	181 lbs.
72-064-HDL	211 lbs.

HD STEEL RETURN — LIVE SHAFT



5 & 6-INCH DIAMETER

SPECS	BELT	D	E	RL	SL
	24"	1.9375"	33"	27.75"	38"
	30"	1.9375"	39"	33.75"	44"
	36"	1.9375"	45"	39.75"	50"
	42"	1.9375"	51"	45.75"	56"
	48"	1.9375"	57"	51.75"	62"
	54"	1.9375"	63"	57.75"	68"
	60"	1.9375"	69"	63.75"	74"
	66"	1.9375"	75"	69.75"	80"
	72"	1.9375"	81"	75.75"	86"

CEMA D

PART # (5")	PART # (6")	WEIGHT (5")
24-054-SLR	24-064-SLR	53 lbs.
30-054-SLR	30-064-SLR	64 lbs.
36-054-SLR	36-064-SLR	74 lbs.
42-054-SLR	42-064-SLR	84 lbs.
48-054-SLR	48-064-SLR	94 lbs.
54-054-SLR	54-064-SLR	103 lbs.
60-054-SLR	60-064-SLR	113 lbs.
66-054-SLR	66-064-SLR	125 lbs.
72-054-SLR	72-064-SLR	135 lbs.

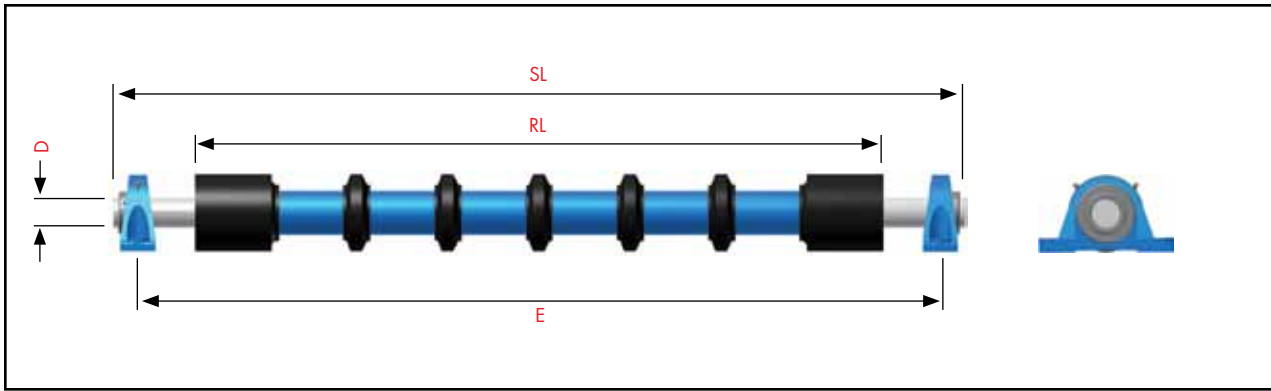
5, 6 & 7-INCH DIAMETER

SPECS	BELT	D	E	RL	SL
	24"	2.4375"	33"	27.75"	38"
	30"	2.4375"	39"	33.75"	44"
	36"	2.4375"	45"	39.75"	50"
	42"	2.4375"	51"	45.75"	56"
	48"	2.4375"	57"	51.75"	62"
	54"	2.4375"	63"	57.75"	68"
	60"	2.4375"	69"	63.75"	74"
	66"	2.4375"	75"	69.75"	80"
	72"	2.4375"	81"	75.75"	86"
	84"	2.4375"	93"	87.75"	98"
	96"	2.4375"	105"	99.75"	110"

CEMA E

PART # (5")	PART # (6")	PART # (7")	WEIGHT (6")
24-055-SLR	24-065-SLR	24-075-SLR	91 lbs.
30-055-SLR	30-065-SLR	24-075-SLR	107 lbs.
36-055-SLR	36-065-SLR	24-075-SLR	122 lbs.
42-055-SLR	42-065-SLR	24-075-SLR	137 lbs.
48-055-SLR	48-065-SLR	24-075-SLR	153 lbs.
54-055-SLR	54-065-SLR	24-075-SLR	168 lbs.
60-055-SLR	60-065-SLR	24-075-SLR	184 lbs.
66-055-SLR	66-065-SLR	24-075-SLR	199 lbs.
72-055-SLR	72-065-SLR	24-075-SLR	215 lbs.
84-055-SLR	84-065-SLR	24-075-SLR	231 lbs.
96-055-SLR	96-065-SLR	24-075-SLR	247 lbs.

HD RUBBER DISC RETURN — LIVE SHAFT



5 & 6-INCH DIAMETER

SPECS	BELT	D	E	RL	SL
	24"	1.9375"	33"	27.25"	38"
	30"	1.9375"	39"	33.25"	44"
	36"	1.9375"	45"	39.25"	50"
	42"	1.9375"	51"	45.25"	56"
	48"	1.9375"	57"	51.25"	62"
	54"	1.9375"	63"	57.25"	68"
	60"	1.9375"	69"	63.25"	74"
	66"	1.9375"	75"	69.25"	80"
	72"	1.9375"	81"	75.25"	86"

CEMA D

PART # (5")	PART # (6")	WEIGHT (5")
24-054-DLR	24-064-DLR	50 lbs.
30-054-DLR	30-064-DLR	59 lbs.
36-054-DLR	36-064-DLR	67 lbs.
42-054-DLR	42-064-DLR	76 lbs.
48-054-DLR	48-064-DLR	84 lbs.
54-054-DLR	54-064-DLR	93 lbs.
60-054-DLR	60-064-DLR	101 lbs.
66-054-DLR	66-064-DLR	110 lbs.
72-054-DLR	72-064-DLR	118 lbs.

5 & 6-INCH DIAMETER

SPECS	BELT	D	E	RL	SL
	24"	2.4375"	33"	27.25"	38"
	30"	2.4375"	39"	33.25"	44"
	36"	2.4375"	45"	39.25"	50"
	42"	2.4375"	51"	45.25"	56"
	48"	2.4375"	57"	51.25"	62"
	54"	2.4375"	63"	57.25"	68"
	60"	2.4375"	69"	63.25"	74"
	66"	2.4375"	75"	69.25"	80"
	72"	2.4375"	81"	75.25"	86"
84"	2.4375"	93"	87.25"	98"	
96"	2.4375"	105"	99.25"	110"	

CEMA E

PART # (5")	PART # (6")	WEIGHT (6")
24-055-DLR	24-065-DLR	54 lbs.
30-055-DLR	30-065-DLR	62 lbs.
36-055-DLR	36-065-DLR	70 lbs.
42-055-DLR	42-065-DLR	78 lbs.
48-055-DLR	48-065-DLR	87 lbs.
54-055-DLR	54-065-DLR	96 lbs.
60-055-DLR	60-065-DLR	104 lbs.
66-055-DLR	66-065-DLR	113 lbs.
72-055-DLR	72-065-DLR	121 lbs.
84-055-DLR	84-065-DLR	130 lbs.
96-055-DLR	96-065-DLR	138 lbs.

7-INCH DIAMETER

SPECS	BELT	D	E	RL	SL
	24"	2.4375"	33"	28.25"	38"
	30"	2.4375"	39"	34.25"	44"
	36"	2.4375"	45"	40.25"	50"
	42"	2.4375"	51"	46.25"	56"
	48"	2.4375"	57"	52.25"	62"
	54"	2.4375"	63"	58.25"	68"
	60"	2.4375"	69"	64.25"	74"
	66"	2.4375"	85"	70.25"	80"
	72"	2.4375"	81"	76.25"	86"
84"	2.4375"	93"	88.25"	98"	
96"	2.4375"	105"	100.25"	110"	

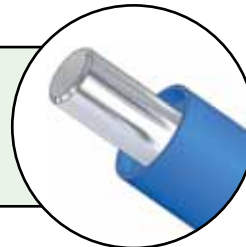
CEMA E

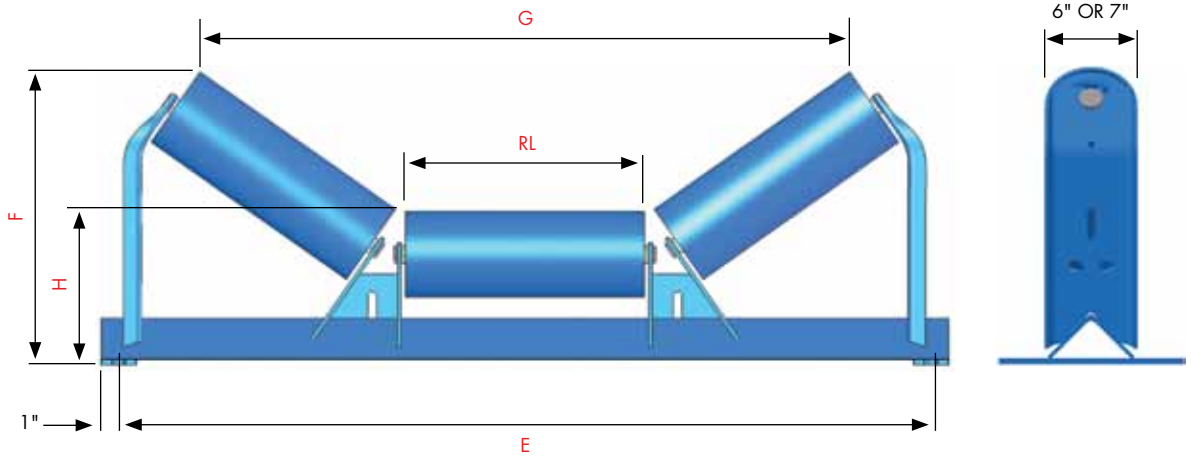
PART # (7")	WEIGHT (7")
24-075-DLR	57 lbs.
30-075-DLR	68 lbs.
36-075-DLR	77 lbs.
42-075-DLR	86 lbs.
48-075-DLR	95 lbs.
54-075-DLR	105 lbs.
60-075-DLR	114 lbs.
66-075-DLR	123 lbs.
72-075-DLR	132 lbs.
84-075-DLR	142 lbs.
96-075-DLR	151 lbs.



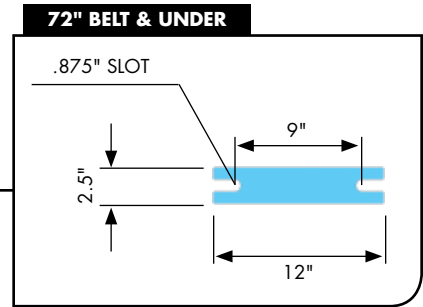
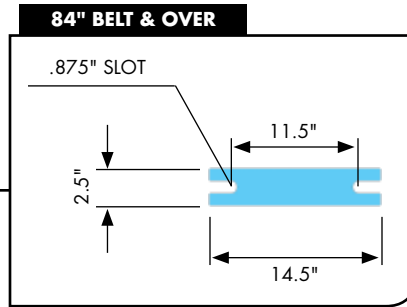
LIVE SHAFT

Luff's Live Shaft design (providing larger shaft and pillow block bearings), reduces shaft deflection and can accept heavier loads.





HEAVY DUTY HD



FEATURES

- Available in 5", 6" and 7" diameters
- Steel Endcap
- Shell standard .188" or available .250"

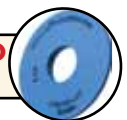
1.75" Shaft	6308 Bearing	HD	6" & 7" Rolls Available
<ul style="list-style-type: none"> • Anti-Lock Shield/High Moisture Seal standard • Triple labyrinth seal • Back seal • 6308 bearing • 1.75" shaft, turned down to 40mm for bearing • Standard and custom rolls available • For Heavy Duty applications • Unmatched Luff quality complete with 2-year warranty 			



SEALED FOR LIFE BEARINGS



ANTI-LOCK SHIELD STANDARD



6-INCH DIAMETER

20° ANGLE

BELT	E	F	G	H	RL
36"	45"	15.5"	39.25"	10.75"	12.75"
42"	51"	16.25"	45"	10.75"	14.75"
48"	57"	16.875"	50.75"	10.75"	16.75"
54"	63"	17.625"	56.5"	10.75"	18.75"
60"	69"	18.25"	62.25"	10.75"	20.75"
72"	81"	20.375"	73.75"	11.5"	24.75"
84"	93"	21.875"	85.25"	11.625"	28.75"
96"	105"	23.25"	96.75"	11.625"	32.75"

CEMA E

PART #	WEIGHT
36-265-HSE	127 lbs.
42-265-HSE	135 lbs.
48-265-HSE	143 lbs.
54-265-HSE	151 lbs.
60-265-HSE	177 lbs.
72-265-HSE	232 lbs.
84-265-HSE	267 lbs.
96-265-HSE	302 lbs.

6-INCH DIAMETER

35° ANGLE

BELT	E	F	G	H	RL
36"	45"	18.375"	35"	10.75"	12.75"
42"	51"	19.5"	40.25"	10.75"	14.75"
48"	57"	20.625"	45.5"	10.75"	16.75"
54"	63"	21.75"	50.75"	10.75"	18.75"
60"	69"	22.875"	56"	10.75"	20.75"
72"	81"	25.875"	66.625"	11.5"	24.75"
84"	93"	28.375"	77.125"	11.625"	28.75"
96"	105"	30.625"	87.75"	11.625"	32.75"

CEMA E

PART #	WEIGHT
36-365-HSE	133 lbs.
42-365-HSE	141 lbs.
48-365-HSE	149 lbs.
54-365-HSE	157 lbs.
60-365-HSE	183 lbs.
72-365-HSE	238 lbs.
84-365-HSE	273 lbs.
96-365-HSE	308 lbs.

6-INCH DIAMETER

45° ANGLE

BELT	E	F	G	H	RL
36"	45"	20.125"	30.875"	10.75"	12.75"
42"	51"	21.5"	37.25"	10.75"	14.75"
48"	57"	22.875"	42.125"	10.75"	16.75"
54"	63"	24"	47"	10.75"	18.75"
60"	69"	25.5"	51.875"	10.75"	20.75"
72"	81"	29"	61.625"	11.5"	24.75"
84"	93"	32"	71.375"	11.625"	28.75"
96"	105"	34.875"	81.125"	11.625"	32.75"

CEMA E

PART #	WEIGHT
36-465-HSE	138 lbs.
42-465-HSE	146 lbs.
48-465-HSE	154 lbs.
54-465-HSE	162 lbs.
60-465-HSE	188 lbs.
72-465-HSE	243 lbs.
84-465-HSE	278 lbs.
96-465-HSE	313 lbs.

7-INCH DIAMETER

20° ANGLE

BELT	E	F	G	H	RL
36"	45"	16"	38.875"	11.25"	12.75"
42"	51"	16.75"	44.625"	11.25"	14.75"
48"	57"	17.375"	50.375"	11.25"	16.75"
54"	63"	18.125"	56.125"	11.25"	18.75"
60"	69"	18.75"	61.875"	11.25"	20.75"
72"	81"	20.875"	73.375"	12"	24.75"
84"	93"	22.375"	84.875"	12.125"	28.75"
96"	105"	23.75"	96.375"	12.125"	32.75"

CEMA E

PART #	WEIGHT
36-275-HSE	169 lbs.
42-275-HSE	180 lbs.
48-275-HSE	191 lbs.
54-275-HSE	202 lbs.
60-275-HSE	235 lbs.
72-275-HSE	267 lbs.
84-275-HSE	302 lbs.
96-275-HSE	337 lbs.

7-INCH DIAMETER

35° ANGLE

BELT	E	F	G	H	RL
36"	45"	18.75"	34.5"	11.25"	12.75"
42"	51"	19.875"	39.75"	11.25"	14.75"
48"	57"	21"	45"	11.25"	16.75"
54"	63"	22.125"	50.25"	11.25"	18.75"
60"	69"	23.75"	55.5"	11.25"	20.75"
72"	81"	26.75"	66.125"	12"	24.75"
84"	93"	28.75"	76.625"	12.125"	28.75"
96"	105"	31"	87.25"	12.125"	32.75"

CEMA E

PART #	WEIGHT
36-375-HSE	175 lbs.
42-375-HSE	186 lbs.
48-375-HSE	197 lbs.
54-375-HSE	208 lbs.
60-375-HSE	241 lbs.
72-375-HSE	273 lbs.
84-375-HSE	308 lbs.
96-375-HSE	343 lbs.

7-INCH DIAMETER

45° ANGLE

BELT	E	F	G	H	RL
36"	45"	20.5"	31.625"	11.25"	12.75"
42"	51"	21.875"	36.5"	11.25"	14.75"
48"	57"	23.25"	41.375"	11.25"	16.75"
54"	63"	24.375"	46.25"	11.25"	18.75"
60"	69"	25.875"	51.125"	11.25"	20.75"
72"	81"	29.375"	60.875"	12"	24.75"
84"	93"	32.375"	70.625"	12.125"	28.75"
96"	105"	35.25"	80.375"	12.125"	32.75"

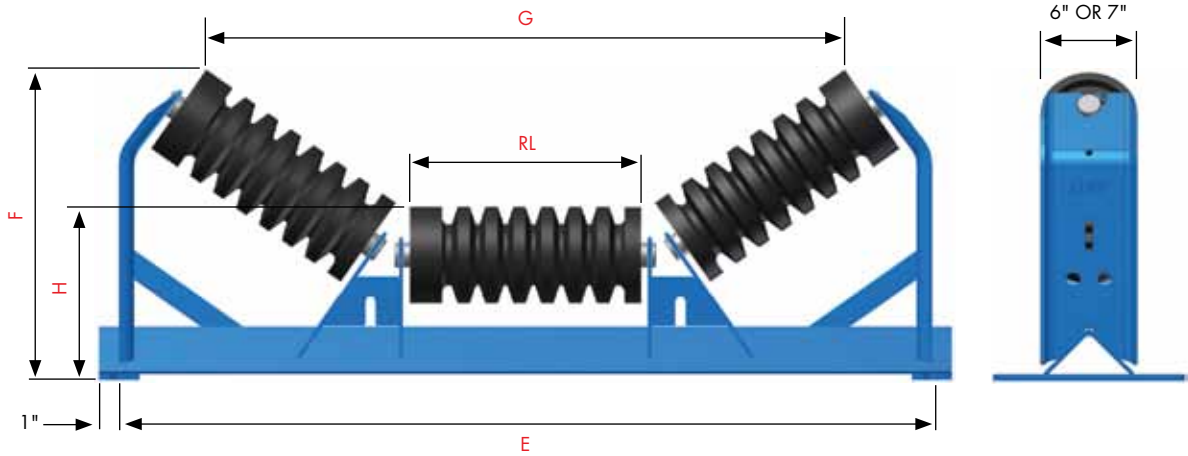
CEMA E

PART #	WEIGHT
36-475-HSE	180 lbs.
42-475-HSE	191 lbs.
48-475-HSE	202 lbs.
54-475-HSE	213 lbs.
60-475-HSE	246 lbs.
72-475-HSE	278 lbs.
84-475-HSE	313 lbs.
96-475-HSE	348 lbs.

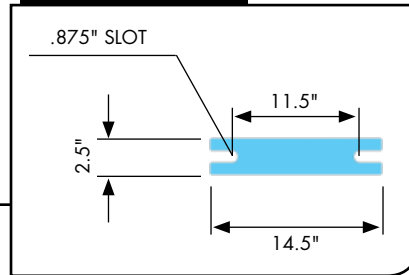
4500 SERIES

CEMA E

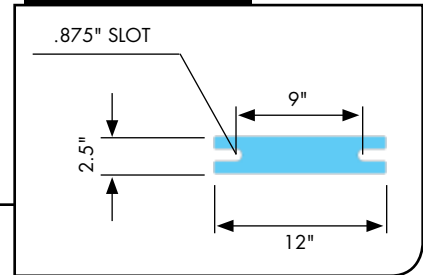
CEMA E EQUAL ROLL IMPACT



84" BELT & OVER



72" BELT & UNDER



HEAVY DUTY HD

FEATURES

- Available in 5", 6", 7" and 8" diameters
- Standard Luff SAE triple labyrinth sealing arrangement
- Standard and custom rolls available

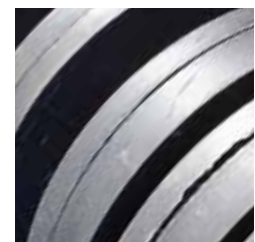
Sealed Bearing	2-Year Warranty	HD	5" - 8" Rolls Available
----------------	-----------------	----	-------------------------

- For Heavy Duty applications
- Unmatched Luff quality complete with 2-year warranty
- Gusseted reinforced frame

SEALED FOR LIFE
BEARINGS



HIGH MOISTURE SEAL
AVAILABLE



6-INCH DIAMETER

20° ANGLE

BELT	E	F	G	H	RL
36"	45"	15.5"	39.25"	10.75"	12.5"
42"	51"	16.25"	45"	10.75"	14.5"
48"	57"	16.875"	50.75"	10.75"	16.5"
54"	63"	17.625"	56.5"	10.75"	18.5"
60"	69"	18.25"	62.25"	10.75"	20.5"
72"	81"	20.375"	73.75"	11.5"	24.5"
84"	93"	21.875"	85.25"	11.625"	28.5"
96"	105"	23.25"	96.75"	11.625"	32.5"

CEMA E

PART #	WEIGHT
36-265-HDE	146 lbs.
42-265-HDE	156 lbs.
48-265-HDE	167 lbs.
54-265-HDE	177 lbs.
60-265-HDE	205 lbs.
72-265-HDE	265 lbs.
84-265-HDE	306 lbs.
96-265-HDE	346 lbs.

6-INCH DIAMETER

35° ANGLE

BELT	E	F	G	H	RL
36"	45"	18.375"	35"	10.75"	12.5"
42"	51"	19.5"	40.25"	10.75"	14.5"
48"	57"	20.625"	45.5"	10.75"	16.5"
54"	63"	21.75"	50.75"	10.75"	18.5"
60"	69"	22.875"	56"	10.75"	20.5"
72"	81"	25.875"	66.625"	11.5"	24.5"
84"	93"	28.375"	77.125"	11.625"	28.5"
96"	105"	30.625"	87.75"	11.625"	32.5"

CEMA E

PART #	WEIGHT
36-365-HDE	152 lbs.
42-365-HDE	162 lbs.
48-365-HDE	173 lbs.
54-365-HDE	183 lbs.
60-365-HDE	211 lbs.
72-365-HDE	271 lbs.
84-365-HDE	312 lbs.
96-365-HDE	352 lbs.

6-INCH DIAMETER

45° ANGLE

BELT	E	F	G	H	RL
36"	45"	20.125"	30.875"	10.75"	12.5"
42"	51"	21.5"	37.25"	10.75"	14.5"
48"	57"	22.875"	42.125"	10.75"	16.5"
54"	63"	24"	47"	10.75"	18.5"
60"	69"	25.5"	51.875"	10.75"	20.5"
72"	81"	29"	61.625"	11.5"	24.5"
84"	93"	32"	71.375"	11.625"	28.5"
96"	105"	34.875"	81.125"	11.625"	32.5"

CEMA E

PART #	WEIGHT
36-465-HDE	157 lbs.
42-465-HDE	167 lbs.
48-465-HDE	178 lbs.
54-465-HDE	188 lbs.
60-465-HDE	216 lbs.
72-465-HDE	276 lbs.
84-465-HDE	317 lbs.
96-465-HDE	357 lbs.

7-INCH DIAMETER

20° ANGLE

BELT	E	F	G	H	RL
36"	45"	16"	38.875"	11.25"	12.5"
42"	51"	16.75"	44.625"	11.25"	14.5"
48"	57"	17.375"	50.375"	11.25"	16.5"
54"	63"	18.125"	56.125"	11.25"	18.5"
60"	69"	18.75"	61.875"	11.25"	20.5"
72"	81"	20.875"	73.375"	12"	24.5"
84"	93"	22.375"	84.875"	12.125"	28.5"
96"	105"	23.75"	96.375"	12.125"	32.5"

CEMA E

PART #	WEIGHT
36-275-HDE	188 lbs.
42-275-HDE	202 lbs.
48-275-HDE	215 lbs.
54-275-HDE	228 lbs.
60-275-HDE	263 lbs.
72-275-HDE	300 lbs.
84-275-HDE	339 lbs.
96-275-HDE	378 lbs.

7-INCH DIAMETER

35° ANGLE

BELT	E	F	G	H	RL
36"	45"	18.75"	34.5"	11.25"	12.5"
42"	51"	19.875"	39.75"	11.25"	14.5"
48"	57"	21"	45"	11.25"	16.5"
54"	63"	22.125"	50.25"	11.25"	18.5"
60"	69"	23.75"	55.5"	11.25"	20.5"
72"	81"	26.75"	66.125"	12"	24.5"
84"	93"	28.75"	76.625"	12.125"	28.5"
96"	105"	31"	87.25"	12.125"	32.5"

CEMA E

PART #	WEIGHT
36-375-HDE	194 lbs.
42-375-HDE	208 lbs.
48-375-HDE	222 lbs.
54-375-HDE	235 lbs.
60-375-HDE	270 lbs.
72-375-HDE	308 lbs.
84-375-HDE	350 lbs.
96-375-HDE	388 lbs.

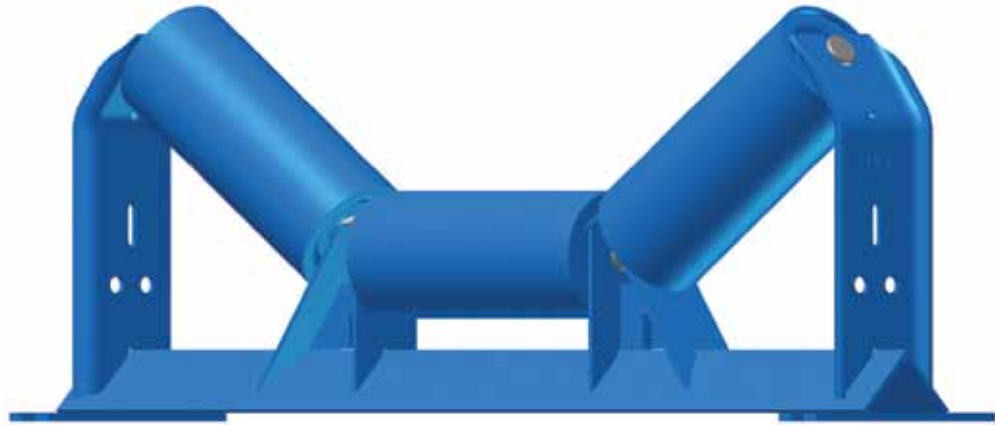
7-INCH DIAMETER

45° ANGLE

BELT	E	F	G	H	RL
36"	45"	20.5"	31.625"	11.25"	12.5"
42"	51"	21.875"	36.5"	11.25"	14.5"
48"	57"	23.25"	41.375"	11.25"	16.5"
54"	63"	24.375"	46.25"	11.25"	18.5"
60"	69"	25.875"	51.125"	11.25"	20.5"
72"	81"	29.375"	60.875"	12"	24.5"
84"	93"	32.375"	70.625"	12.125"	28.5"
96"	105"	35.25"	80.375"	12.125"	32.5"

CEMA E

PART #	WEIGHT
36-475-HDE	199 lbs.
42-475-HDE	213 lbs.
48-475-HDE	228 lbs.
54-475-HDE	241 lbs.
60-475-HDE	276 lbs.
72-475-HDE	315 lbs.
84-475-HDE	360 lbs.
96-475-HDE	396 lbs.



ENGINEERED DRAWINGS & DIMENSIONS AVAILABLE UPON REQUEST



HEAVY DUTY HD

FEATURES

<ul style="list-style-type: none"> • Available in 6", 7", 8" and 10" diameters • Steel End Cap • Shell standard .250" 			
2.188" Shaft	6310 Bearing	HD	Steel End Cap
<ul style="list-style-type: none"> • Triple labyrinth seal • Back seal • 6310 bearing • 2.188" shaft, turned down to 50mm for bearing • Standard and custom rolls available • For Heavy Duty applications • Unmatched Luff quality complete with 2-year warranty 			

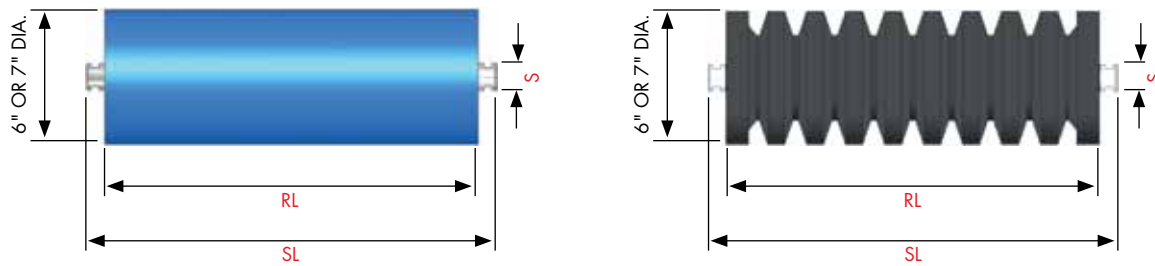
SEALED FOR LIFE BEARINGS



PART # GUIDE (e.g.,: 8FS15)

7	F	S	15
ROLL DIA.	CEMA SERIES	(S) STEEL (D) IMPACT	ROLL LENGTH

4500 REPLACEMENT ROLLERS



6 & 7-INCH STEEL DIAMETER



6" & 7" SPECS

SHAFT (mm)	RL	SL	BELT
40	6.75"	8.375"	(All Unequal Rolls)
40	12.75"	14.375"	36 (E)
40	14.75"	16.375"	42 (E)
40	16.75"	18.375"	48 (E)
40	18.75"	20.375"	54 (E)
40	19.75"	21.375"	36 (V)
40	20.75"	22.375"	60 (E)
40	22.75"	24.375"	42 (V)
40	24.75"	26.375"	36 (U); 72 (E)
40	25.75"	27.375"	48 (V)
40	28.75"	30.375"	54 (V); 84 (E)
40	30.75"	32.375"	42 (U)
40	31.75"	33.375"	60 (V)
40	32.75"	34.375"	96 (E)
40	36.75"	38.375"	48 (U)
40	37.75"	39.375"	72 (V)
40	42.75"	44.375"	54 (U)
40	43.75"	45.375"	84 (V)
40	48.75"	50.375"	60 (U)
40	49.75"	51.375"	96 (V)
40	60.75"	62.375"	72 (U)
40	72.75"	74.375"	84 (U)
40	84.75"	86.375"	96 (U)

CEMA E STEEL

6" PART #	7" PART #	WEIGHT 6"/7"
6ES07	7ES07	16/20 lbs.
6ES13	7ES13	24/31 lbs.
6ES15	7ES15	27/35 lbs.
6ES17	7ES17	29/38 lbs.
6ES19	7ES19	32/42 lbs.
6ES20	7ES20	33/44 lbs.
6ES21	7ES21	35/46 lbs.
6ES23	7ES23	37/49 lbs.
6ES25	7ES25	39/52 lbs.
6ES26	7ES26	41/55 lbs.
6ES29	7ES29	46/61 lbs.
6ES31	7ES31	49/65 lbs.
6ES32	7ES32	51/67 lbs.
6ES33	7ES33	53/70 lbs.
6ES37	7ES37	59/79 lbs.
6ES38	7ES38	61/81 lbs.
6ES43	7ES43	69/92 lbs.
6ES44	7ES44	71/94 lbs.
6ES49	7ES49	79/105 lbs.
6ES50	7ES50	81/107 lbs.
6ES61	7ES61	99/126 lbs.
6ES73	7ES73	119/158 lbs.
6ES85	7ES85	139/184 lbs.

6 & 7-INCH IMPACT DIAMETER



6" & 7" SPECS

SHAFT (mm)	RL	SL	BELT
30/40	6.5"	8.375"	(All Unequal Rolls)
30/40	12.5"	14.375"	36 (E)
30/40	14.5"	16.375"	42 (E)
30/40	16.5"	18.375"	48 (E)
30/40	18.5"	20.375"	54 (E)
30/40	19.5"	21.375"	36 (V)
30/40	20.5"	22.375"	60 (E)
30/40	22.5"	24.375"	42 (V)
30/40	24.5"	26.375"	36 (U); 72 (E)
30/40	25.5"	27.375"	48 (V)
30/40	28.5"	30.375"	54 (V); 84 (E)
30/40	30.5"	32.375"	42 (U)
30/40	31.5"	33.375"	60 (V)
30/40	32.5"	34.375"	96 (E)
30/40	36.5"	38.375"	48 (U)
30/40	37.5"	39.375"	72 (V)
30/40	42.5"	44.375"	54 (U)
30/40	43.5"	45.375"	84 (V)
30/40	48.5"	50.375"	60 (U)
30/40	49.5"	51.375"	96 (V)
30/40	60.5"	62.375"	72 (U)
30/40	72.5"	74.375"	84 (U)
30/40	84.5"	86.375"	96 (U)

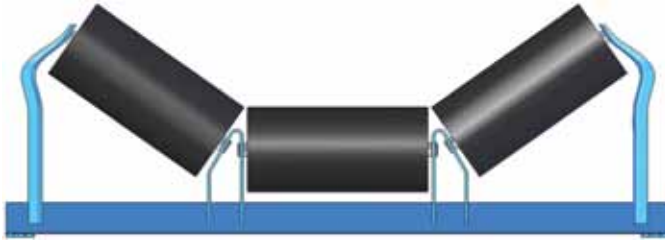
CEMA E IMPACT

6" PART #	7" PART #	WEIGHT 6"/7"
6ED07	7ED07	9/12 lbs.
6ED13	7ED13	20/25 lbs.
6ED15	7ED15	25/30 lbs.
6ED17	7ED17	29/35 lbs.
6ED19	7ED19	33/40 lbs.
6ED20	7ED20	35/42 lbs.
6ED21	7ED21	38/45 lbs.
6ED23	7ED23	42/50 lbs.
6ED25	7ED25	46/55 lbs.
6ED26	7ED26	48/58 lbs.
6ED29	7ED29	55/66 lbs.
6ED31	7ED31	59/70 lbs.
6ED32	7ED32	61/73 lbs.
6ED33	7ED33	63/75 lbs.
6ED37	7ED37	72/86 lbs.
6ED38	7ED38	74/88 lbs.
6ED43	7ED43	84/100 lbs.
6ED44	7ED44	86/102 lbs.
6ED49	7ED49	97/115 lbs.
6ED50	7ED50	99/117 lbs.
6ED61	7ED61	122/144 lbs.
6ED73	7ED73	148/175 lbs.
6ED85	7ED85	173/204 lbs.

BELT

(E): Equal Roll Assemblies (U): Unequal Roll Assemblies (V): 10° V>Returns (Steel)

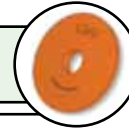
COMPOSITE ROLLS



TOUGH & DURABLE
Composite Tubing



OPTIONAL ANTI-LOCK SHIELD Available



HIGH MOISTURE SEAL Available



FEATURES

- Compared to traditional steel, polyvinyl chloride (PVC) and high-density polyethylene (HDPE) products, Luff's composite is exceptionally lightweight, strong and durable
- Longer lasting than comparative products resulting in less downtime and increased conveyor efficiency

LIGHTWEIGHT

Up to **40%** lighter than comparative steel models. (based on models shown)

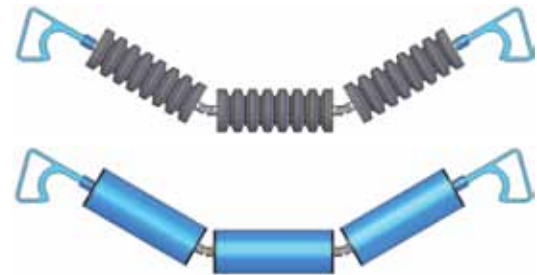
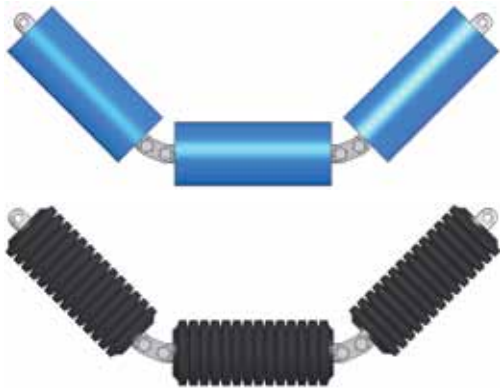
Lightweight

Corrosion Resistant

Load Ratings to CEMA E Available

- Coupled with Luff's patented polymer endcaps, the Composite Series offers the most reliable product on the market today
- Exceptional resistance to abrasion and corrosion, even in acidic environments
- Rolls exhibit minimal expansion and contraction, decreasing stress related idler roll failure
- Built for the most demanding environments and applications

CATENARY IDLERS



AVAILABLE IN **CEMA B-F**

FEATURES

- None-rigid frame is perfect for underground and portable overland conveyors and allows for easy belt tracking
- Available with shock absorption mounts
- Low profile design for areas with space constraints
- Grade 8 bolts and heavy connector links
- Various handle/connections available
- Quick and easy installation

DRUM AND WING PULLEYS

TRAPEZOIDAL CROWN

Luff pulleys feature a trapezoidal crown design, providing superior belt tracking capabilities, while reducing belt wear

NOTE:
All wing pulleys 16" dia. and greater come complete with reinforcing ring.
All mine-duty pulleys come equipped with reinforcing ring.

XT®/QD®/KEYLESS STYLE PULLEYS

- Fabricated to CEMA standards for welded steel conveyor pulleys

Mine Duty Available	ISO 9001	Engineered Class Available
---------------------	----------	----------------------------

- All pulleys are jig welded and machined to Luff's strict quality standards, along with I.S.O. (International Standards of Quality)
- Fully assembled when bushings and shaft are ordered
- Mine duty and engineered class pulleys available upon request
- Drum pulleys can be statically or dynamically balanced upon request
- All drum pulleys manufactured using heavy wall pipe

KEYLESS LOCKING ASSEMBLY Available

SPECS	XT STYLE		QD STYLE	
	HUB SIZE	MAX BORE SIZE	HUB SIZE	MAX BORE SIZE
	XT15	1.4375"	SDS	1.9375"
	XT20	1.9375"	SK	2.1875"
	XT25	2.4375"	SF	2.4370"
	XT30	2.9375"	E	2.9375"
	XT35	3.4375"	F	3.4375"
	XT40	3.9375"	J	3.9375"
	XT45	4.4375"	M	4.9375"
	XT50	4.9375"	N	5.0625"
	XT60	6.00"	P	5.8125"
	XT70	7.00"	W	6.00"
	XT80	8.00"	S	6.00"
	XT100	10.00"		
	XT120	12.00"		

PART # GUIDE (e.g.,: 30-XT80-63 CFDMDB)

PULLEY DIA.	HUB SIZE	PULLEY FACE WIDTH	TYPE
30	80	63	CFDMDB

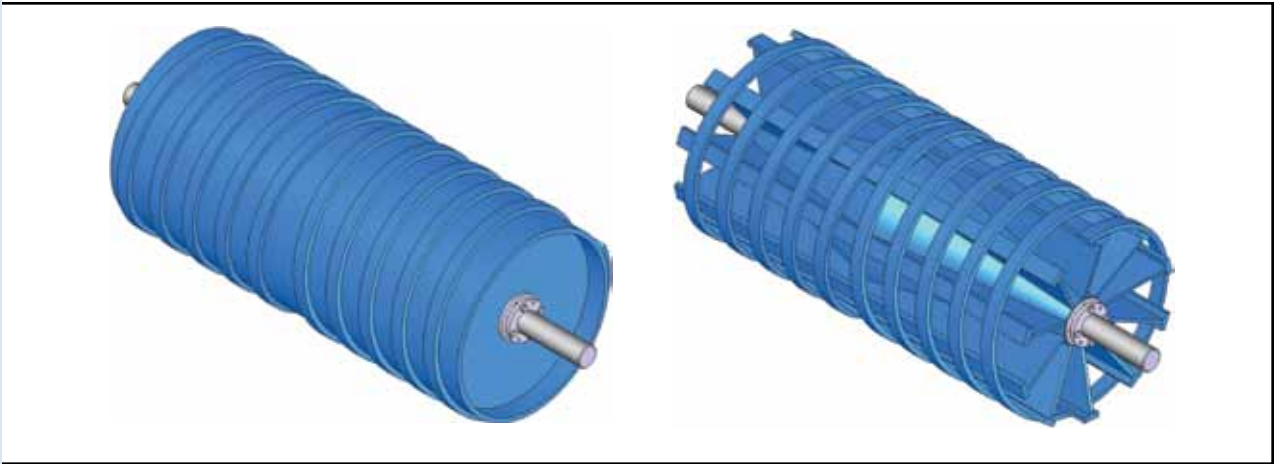
HUB SIZE (XT/SDS/SK/SF/PL etc.)

CF: CROWNED FACE
FF: FLAT FACE
DCF: DOUBLE CROWNED FACE

D: DRUM
W: WING

MD: MINE DUTY
S: SPIRAL
E: ELEVATOR
B: BALANCED (STATIC)
EC: ENGINEERED CLASS
AR: HIGH ABRASION

SPIRAL DRUM AND WING PULLEYS



SPIRAL PULLEYS

SPIRAL DRUM PULLEY

The Spiral Drum Pulley is formed by a pair of steel bars helically wound around the drum pulley. These bars converge at the center of the pulley and spiral out towards both ends at a 3-inch pitch. This design ensures constant contact with the belt, reducing the possibility of material build-up between the belt and pulley face.

The cleaning action of the Spiral Drum Pulley is extremely effective in high tension or high speed applications, where a wing pulley cannot be used.

Spiral Drums can be made with XT®, QD®, Taper Lock®, or Keyless Locking Assemblies (KLA), available in Crown or Flat Face. AR high abrasion contact bars available.

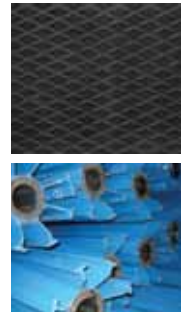
Self-Cleaning	XT®, QD®, Taper Lock, Keyless	AR High Abrasion Spiral Wrap Available
----------------------	--------------------------------------	---

SPIRAL WING PULLEY

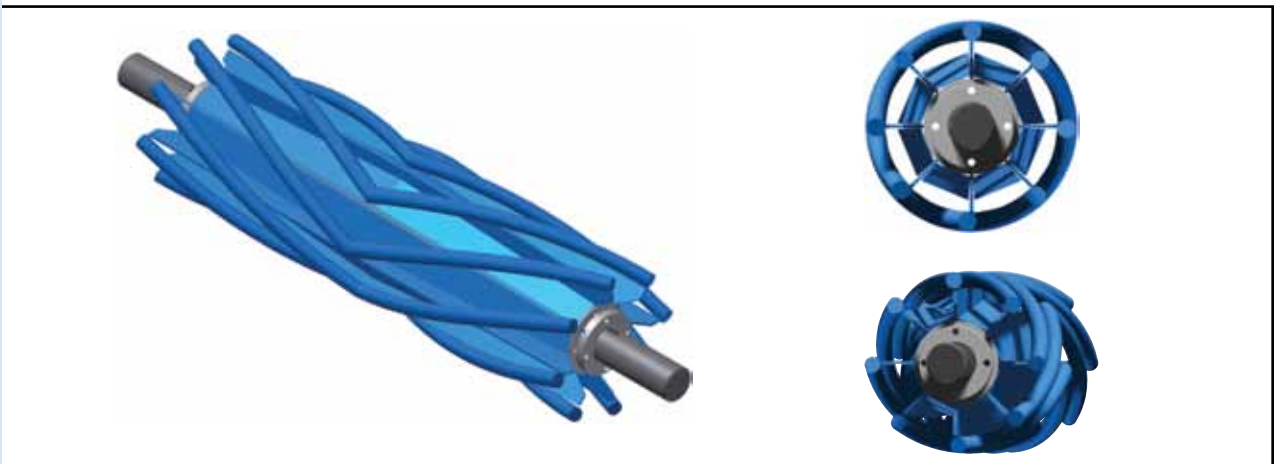
The Spiral Wing Pulley is formed by a pair of flat steel bars helically wound around a wing pulley. The bars converge at the center of the pulley, spiraling out towards both ends at a 3-inch pitch, ensuring constant contact with the belt. This contact eliminates excessive noise and vibration sometimes found in standard wing pulley designs.

Rotation of the pulley automatically starts the self-cleaning action, discharging foreign material to the sides of the conveyor.

Spiral Wings can be made with XT®, QD®, Taper Lock®, or Keyless Locking Assemblies (KLA). Available in Crown or Flat Face and can be produced with AR wrap.



HELIX PULLEYS



HELIX DESIGN

Luff's Helix design offers stronger pulley construction while maintaining constant belt contact, resulting in reduced vibration and less wear on the conveyor belt.

Standard duty, mine duty and engineered class available. Call for details, toll-free: 1-888-349-LUFF (5833)

PULLEY LAGGING

LAGGING

50/60 durometer, shore A SBR rubber lagging is bonded directly to the pulley rim. Chevron, Herringbone and Diamond Groove are all available. Rubber lagging with a smooth finish can also be supplied. If grooving is required, direction of rotation is required.

Also Available: Neoprene, Nitrile, Urethane, Roughtop, and Ceramic.

HOLZ SLIDE-LAG®

The Slide-Lag formula provides specially compounded elastomer padding vulcanized under high pressure to heavy gauge steel plates which are shaped to conform to each pulley diameter.

Exclusive elastomer compound provides a lagging pad with exceptional drive pulley traction, which is abuse resistant and has extra long service life.

Pressurized hot vulcanization assures the best possible bond of rubber to the backing plate and no lagging failures from loss of adhesion and separation.

Steel backing plates are dye stamped to fit the specific curve of each pulley diameter, ensuring proper pad stability and long life.

Rust resistant metal retainers are welded to the pulley face to securely hold the lagging pads in place. Properly installed, Slide-Lag will not shift or pull free.

Slide-Lag can also be installed on the job, usually without removing the belt or pulleys.

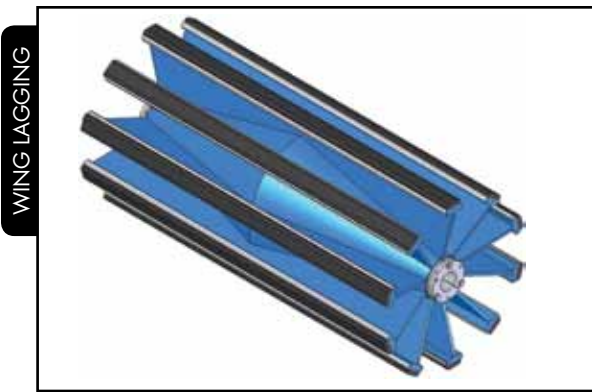
Standard 60 Durometer 1/2"-thick industrial compound Slide-Lag in stock.

Also available: Oil Resistant, Heat Resistant, Flame-Stop, Stainless Steel backing plates and retaining clips, and heavy-duty 3/4" pads.

WING PULLEY LAGGING

A blend of natural and SBR chemically moulded to a 12-gauge steel channel. Engineered for maximum traction in both directions, allowing Luff Wing Lagging to be utilized on reversing belts.

- Reduce belt and pulley wear
- Can be used on reverse belt conveyors (two directions)
- Decrease downtime
- Reduce maintenance costs
- Prevent spillage
- Fits flat and crowned pulley
- Can be replaced without removing pulley

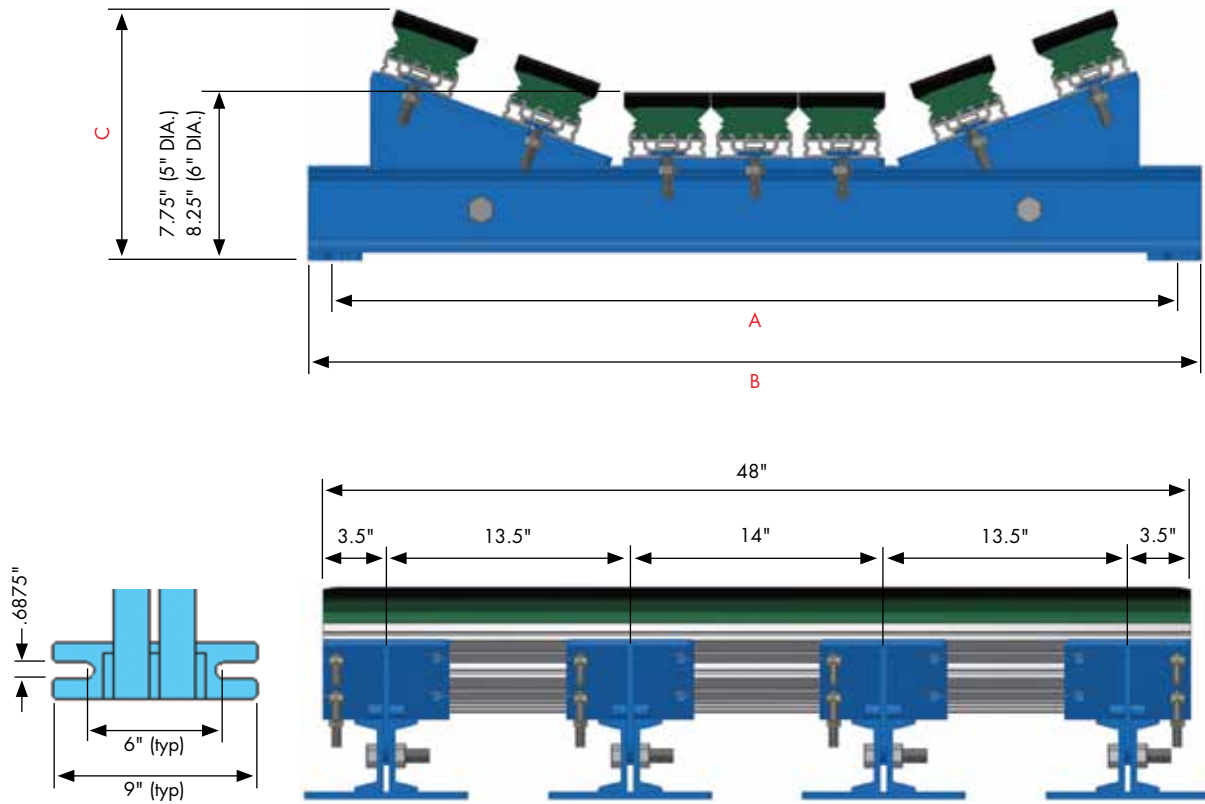


LAGGING	
PART #	FLAT BAR
WL-108-32	1.5"
WL-200-32	2"

WING PULLEY LAGGING — NUMBER OF 32" STRIPS REQUIRED FOR SELECTING FACE WIDTHS & DIAMETERS

NO OF FINES	FLAT BAR SIZE	DIA.	NUMBER OF STRIPS FOR SELECTED FACE AND DIAMETERS													
			12	14	16	18	20	22	26	32	38	44	51	57	63	72
8	1"	6	4	4	4	5	5	6	7	8	10	11	14	16	16	18
8	1.5"	8	4	4	4	5	5	6	7	8	10	11	14	16	16	18
8	1.5"	10	4	4	4	5	5	6	7	8	10	11	14	16	16	18
8	1.5"	12	4	4	4	5	5	6	7	8	10	11	14	16	16	18
10	1.5"	14	4	5	5	6	7	8	9	10	12	14	16	20	20	23
10	1.5" *	16	4	5	5	6	7	8	9	10	12	14	16	20	20	23
12	1.5" *	18	5	6	6	7	8	8	11	12	15	17	20	23	24	27
12	2"	20	5	6	6	7	8	8	11	12	15	17	20	23	24	27
14	2"	24	6	7	7	8	10	10	12	14	17	20	24	28	28	32
18	2"	30	7	8	9	11	12	13	15	18	22	25	28	34	34	38
18	2"	36	7	8	9	11	12	13	15	18	22	25	28	34	34	38
20	2"	42	8	9	10	12	13	14	17	20	24	27	32	36	38	43
22	2"	48	9	10	11	13	15	15	18	22	26	30	34	42	42	47

* Mine Duty Wing Pulleys Use FB (Flat Bar) Size 2"



STANDARD LENGTHS AVAILABLE: 48", 60", 72" | CUSTOM & LOW PROFILE DESIGNS AVAILABLE

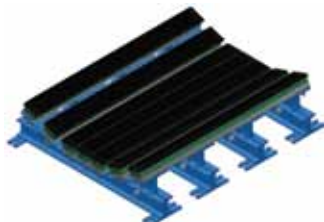
IMPACT BEDS

Luff's Impact Bars are made of a high performance urethane material, specifically formulated to absorb and disperse the forces of impact. The kinetic energy produced by the impact of material is not amplified and returned as with standard impact bars. This prevents damage and premature wear to the belt surface.

New and improved design features stronger aluminum channels and reduced rebound.

Available in standard lengths of 48", 60", and 72". All bars come standard with a heavy-duty extruded aluminum insert, which provides wear bar rigidity and is designed to accept a standard 1/2" grade 5-bolt & washer.

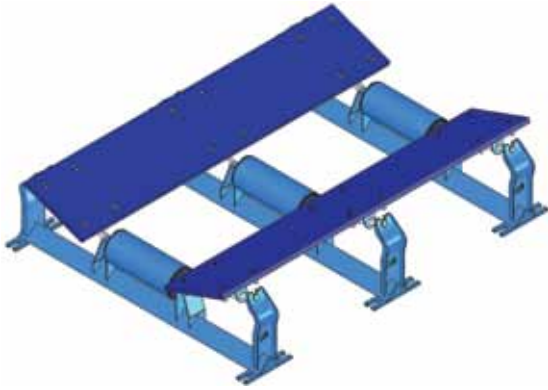
Impact beds feature two slide-out sections, allowing for easy removal and replacement of impact bars.



						PART #	
	BELT	A	B	C (20°)	C (35°)	20° ANGLE	35° ANGLE
5" DIAMETER	18"	27"	29.5"	10.5"	12.375"	18-254-HDIB-48	18-354-HDIB-48
	24"	33"	35.5"	11"	12.937"	24-254-HDIB-48	24-354-HDIB-48
	30"	39"	41.5"	11.563"	13.813"	30-254-HDIB-48	30-354-HDIB-48
	36"	45"	47.5"	12.375"	15.25"	36-254-HDIB-48	36-354-HDIB-48
	42"	51"	53.5"	13.063"	16.313"	42-254-HDIB-48	42-354-HDIB-48
	48"	57"	59.5"	13.75"	17.563"	48-254-HDIB-48	48-354-HDIB-48
	54"	63"	65.5"	14.438"	18.688"	54-254-HDIB-48	54-354-HDIB-48
	60"	69"	71.5"	15.063"	19.813"	60-254-HDIB-48	60-354-HDIB-48
	72"	81"	83.5"	16.375"	22.063"	72-254-HDIB-48	72-354-HDIB-48

						PART #	
	BELT	A	B	C (20°)	C (35°)	20° ANGLE	35° ANGLE
6" DIAMETER	18"	27"	29.5"	11"	12.875"	18-264-HDIB-48	18-364-HDIB-48
	24"	33"	35.5"	11.5"	13.437"	24-264-HDIB-48	24-364-HDIB-48
	30"	39"	41.5"	12.063"	14.313"	30-264-HDIB-48	30-364-HDIB-48
	36"	45"	47.5"	12.875"	15.75"	36-264-HDIB-48	36-364-HDIB-48
	42"	51"	53.5"	13.563"	16.813"	42-264-HDIB-48	42-364-HDIB-48
	48"	57"	59.5"	14.25"	18.063"	48-264-HDIB-48	48-364-HDIB-48
	54"	63"	65.5"	14.938"	19.188"	54-264-HDIB-48	54-364-HDIB-48
	60"	69"	71.5"	15.563"	20.313"	60-264-HDIB-48	60-364-HDIB-48
	72"	81"	83.5"	16.875"	22.563"	72-264-HDIB-48	72-364-HDIB-48

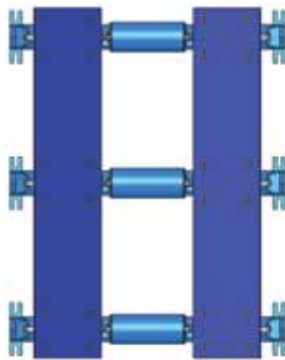
SLIDER & IMPACT SLIDER BED



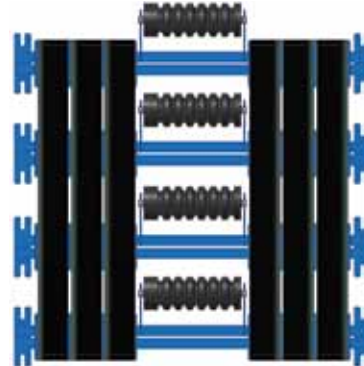
SLIDER BED



IMPACT SLIDER



SLIDER BED TOP VIEW



IMPACT SLIDER TOP VIEW



SLIDER BED FRONT VIEW



IMPACT SLIDER FRONT VIEW



SLIDER BED SIDE VIEW



IMPACT SLIDER SIDE VIEW

FEATURES

- Available in CEMA B, C, D, E and F load ratings
- Constructed for ultimate strength and durability. Perfect for medium–heavy duty applications

CEMA B, C, D, E & F

Custom Design

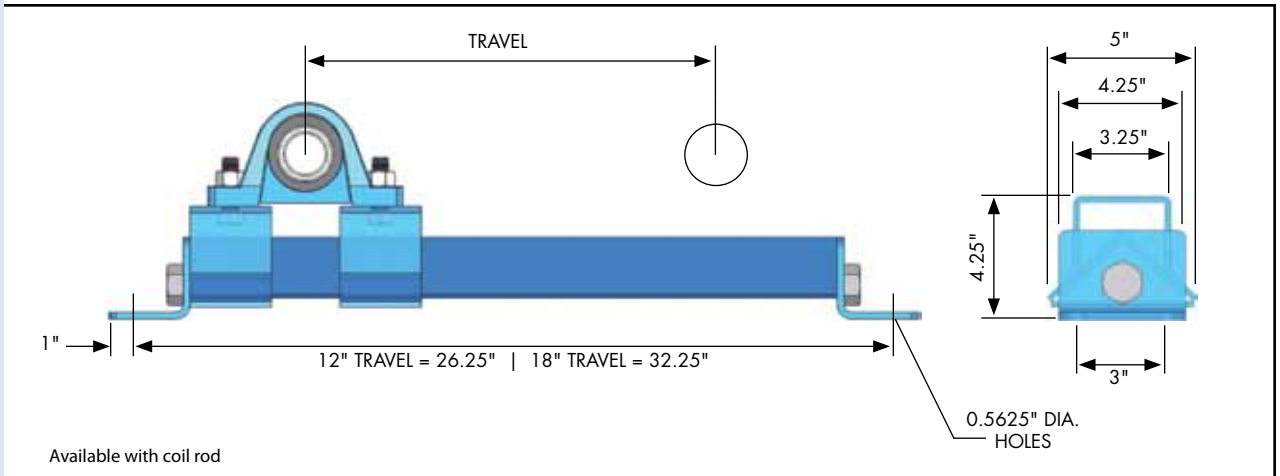
HD

Reduces Friction

- Optimal design for sealing with skirting, eliminating spillage
- Maximizes skirting life
- Center rollers reduce friction allowing the belt to roll freely, minimizing heat build-up and wear
- All beds manufactured to standard CEMA bolting and height dimensions
- On site engineering team will custom design the Slider Bed to meet your specific needs for quick and easy in-field installation

HEAVYDUTY HD

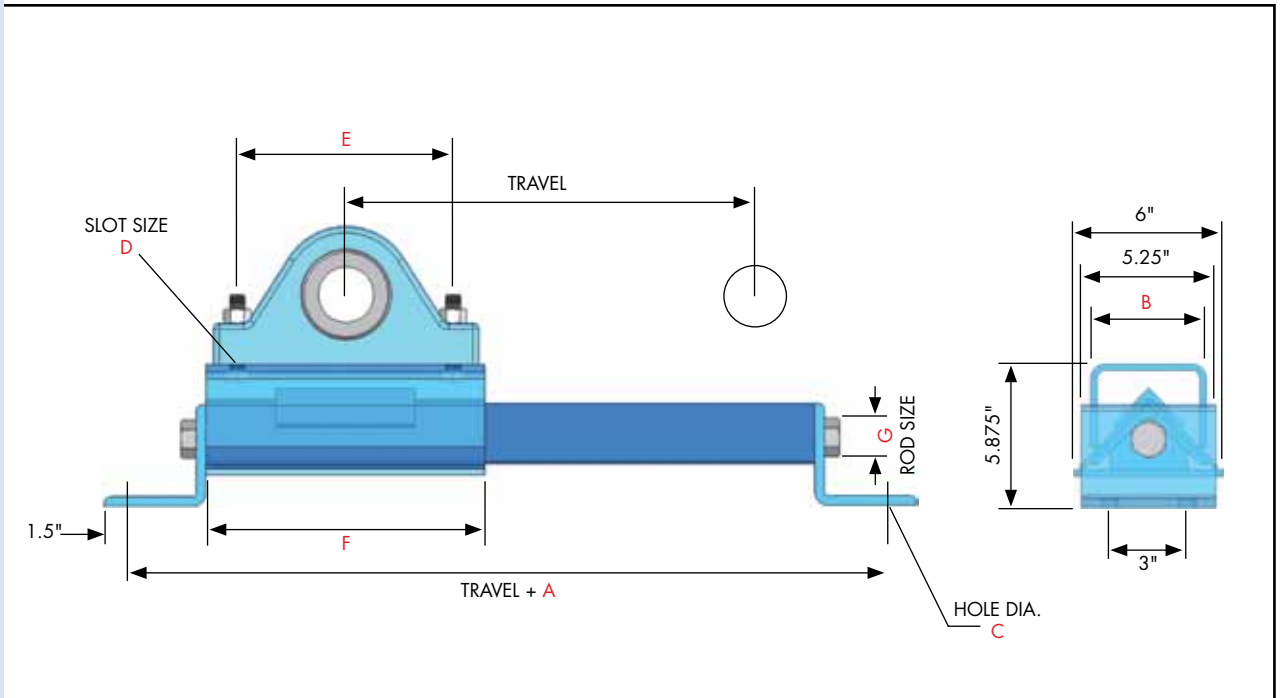
REGULAR DUTY TOP MOUNT TAKE-UP FRAME



12" & 18" TRAVEL IN STOCK/CUSTOM SIZES AVAILABLE

SPECS	SHAFT SIZE	PART #
	1.1875"	PBLD-103-TRAVEL
	1.4375"	PBLD-107-TRAVEL
	1.9375"	PBLD-115-TRAVEL
	2.1875"	PBLD-203-TRAVEL
	2.4375"	PBLD-207-TRAVEL
	2.9375"	PBLD-215-TRAVEL

HEAVY DUTY HD TOP MOUNT TAKE-UP FRAME



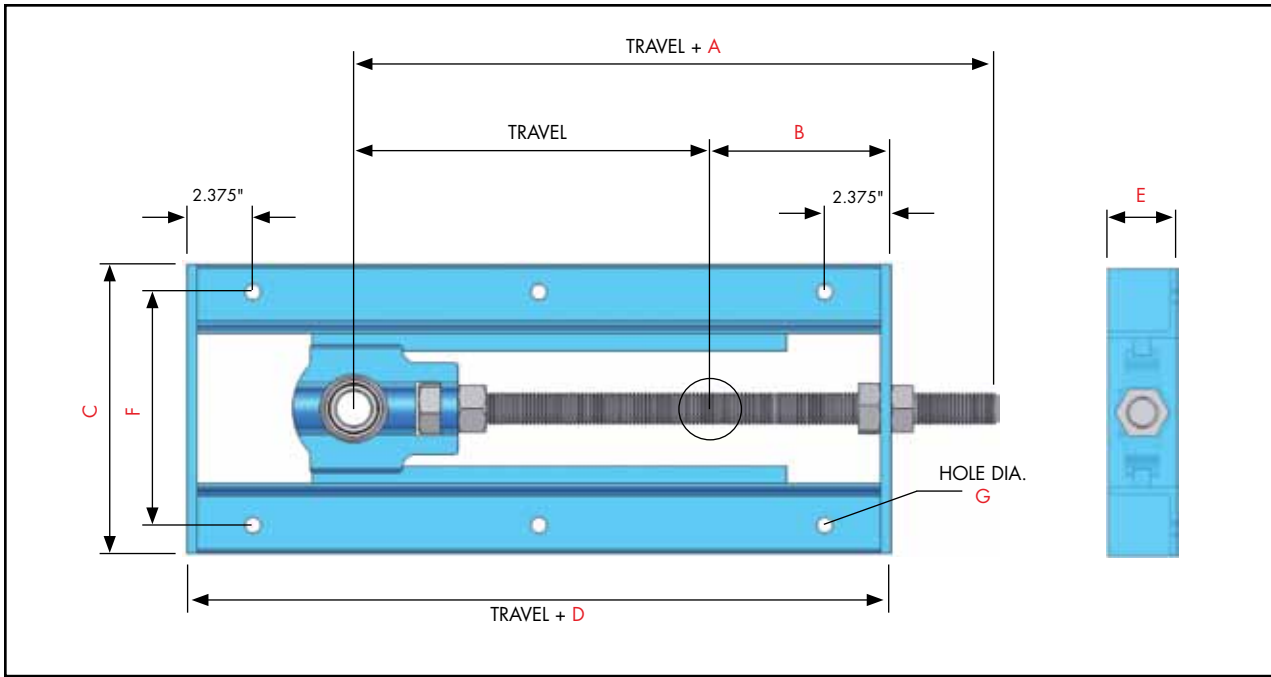
TRAVEL SIZES AVAILABLE: 12", 18", 24", 30", 36", 42", 48"

Comes standard with
ACMEROD

SPECS	SHAFT SIZE	A	B	C	D	E	F	G	PART #
	1.4375"	14"	4"	.81"	.5625"	6.625"	9	1"	PSHD-107-TRAVEL
	1.9375"	16"	4"	.81"	.6875"	8.25"	11	1"	PSHD-115-TRAVEL
	2.1875"	17"	4.75"	.81"	.75"	9"	12	1"	PSHD-203-TRAVEL
	2.4375"	17"	4.75"	.81"	.75"	9"	12	1"	PSHD-207-TRAVEL
	2.9375"	19"	5"	.9375"	.875"	10.25"	14	1.25"	PSHD-215-TRAVEL
	3.4375"	21"	6"	.9375"	1"	12.625"	16	1.25"	PSHD-307-TRAVEL
	3.9375"	22.5	6	.9375	.875	13.5	17.5	1.25"	PSHD-315-TRAVEL
	4.4375"	24	6	.9375	1	15.375	19	1.25"	PSHD-407-TRAVEL
	4.9375"	26	7	.9375	1.25	16.5	21	1.25"	PSHD-415-TRAVEL

PSXHD EXTRA HEAVY DUTY TAKE-UP ALSO AVAILABLE

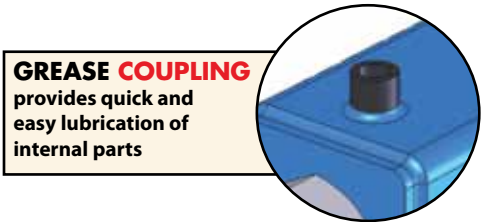
SLOTTED SIDE MOUNT TAKE-UP FRAME



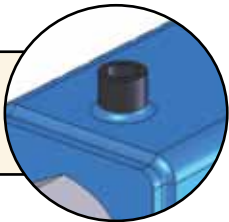
TRAVEL SIZES AVAILABLE: 12", 18", 24", 30", 36", 42", 48" | STANDARD NARROW SLOT BEARING

SHAFT SIZE	A	B	C	D	E	F	G	TU-SSM	
								PART #	
1.1875"	7.9375"	5.625"	8.4375"	11.75"	2"	4.9375"	.4375"	LTU-103-TRAVEL	
1.4375	7.9375"	5.875"	8.4375"	11.75"	2"	4.9375"	.4375"	LTU-107-TRAVEL	
1.9375	8.250"	6.625"	10.375"	13.25"	2.5"	8.375"	.4375"	LTU-115-TRAVEL	
2.1875	9.750"	6.625"	11.6875"	13.25"	2.5"	9.6875"	.5625"	LTU-203-TRAVEL	
2.4375	10"	6.625"	11.6875"	13.25"	2.5"	9.6875"	.5625"	LTU-207-TRAVEL	
2.9375	11.5625"	7.875"	14"	15.75"	3"	11"	.5625"	LTU-215-TRAVEL	
3.4375	12.75"	9.4375"	17.5"	18.9375"	3"	14.5"	.6875"	LTU-307-TRAVEL	
3.9375	14"	10.125"	18.3125"	20.25"	3"	15.3125"	.6875"	LTU-315-TRAVEL	

TELE-TAKE TELESCOPIC TAKE-UP

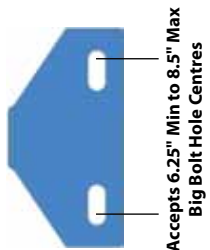
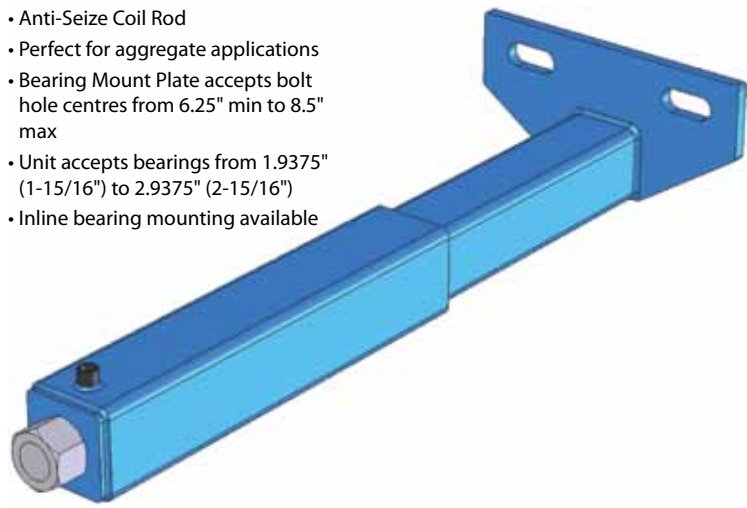


GREASE COUPLING
provides quick and easy lubrication of internal parts



ANTI-SEIZE COIL ROD

- Adjust belt tension with ease
- Anti-Seize Coil Rod
- Perfect for aggregate applications
- Bearing Mount Plate accepts bolt hole centres from 6.25" min to 8.5" max
- Unit accepts bearings from 1.9375" (1-15/16") to 2.9375" (2-15/16")
- Inline bearing mounting available



Accepts 6.25" Min to 8.5" Max Big Bolt Hole Centres

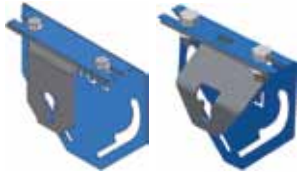
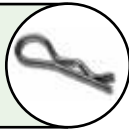
SPECS	PART #	E.G.:
TT-BRG-TRAVEL		TT-115-12
TT-BRG-TRAVEL		BRG
TT-BRG-TRAVEL		TRAVEL

TOLL-FREE
1-888-349-LUFF (5833)

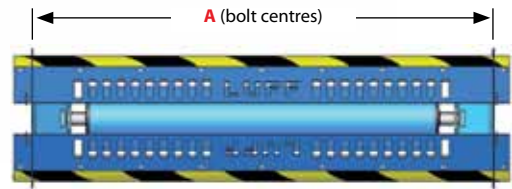
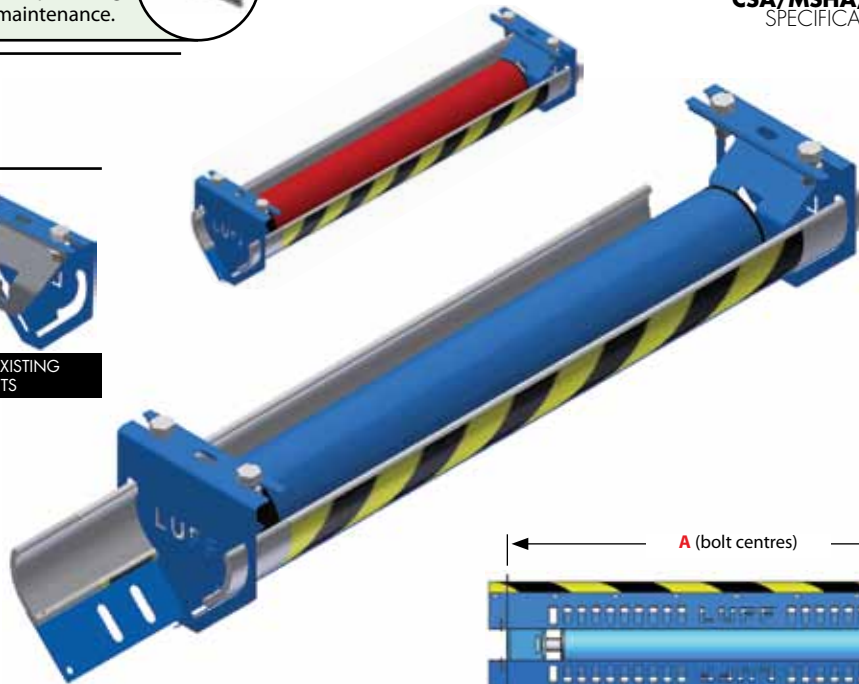
THE RETRO-PROTECTOR RETURN ROLLER GUARD

QUICK RELEASE PIN

Quick-release pin allows for removal of guard panels, providing easy cleaning and maintenance.



EASILY RETROFIT TO EXISTING ROLLER BRACKETS



The Protector is designed to help minimize the potential for injury. Owner/operator should always follow safe work procedures and never make adjustments to moving components

FEATURES

- Quick-Release guard panels provide convenient access to the idler for maintenance and cleaning
- Retrofit your existing return roller, using a competitor's brackets
- Available with steel or self cleaning rubber disc return rollers
- Optional Anti-Lock Shield on steel return rollers

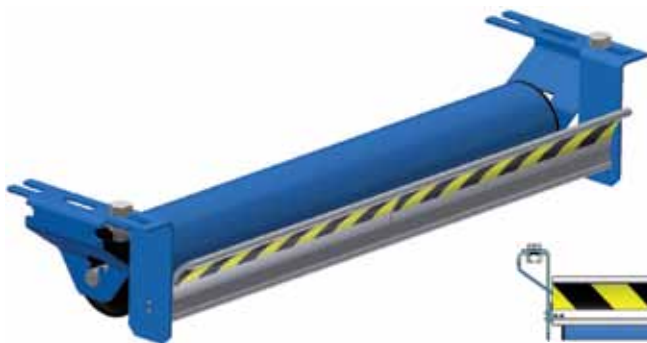
Quick-Release Guard Panels	Steel or Rubber Disc	Easy to Clean
-----------------------------------	-----------------------------	----------------------

- Acts as a basket to catch roller in the event of idler failure
- Composite leading edge protects belt from wear abrasion
- Protects the user by eliminating pinch points
- Luff slide panels make The Protector virtually maintenance free
- Custom designs available
- Meets MSHA, OSHA & CSA specifications

PART #	BELT WIDTH	A
RRP-18-4/5/6	18"	27"
RRP-24-4/5/6	24"	33"
RRP-30-4/5/6	30"	39"
RRP-36-4/5/6	36"	45"
RRP-42-4/5/6	42"	51"
RRP-48-4/5/6	48"	57"
RRP-54-4/5/6	54"	63"
RRP-60-4/5/6	60"	69"
RRP-66-4/5/6	66"	75"
RRP-72-4/5/6	72"	81"
RRP-84-4/5/6	84"	93"
RRP-96-4/5/6	96"	105"

CHOOSE DIAMETER: 4", 5", OR 6"

RETURN ROLLER GUARD



FEATURES

- Eliminates all pinch points between belt and return roller
- In stock for 18"-60" belts
- Available for all sizes

PART#: RRG-___ (BELT WIDTH)



BELT BRUSH CLEANING UNIT

IMPROVE TRACKING

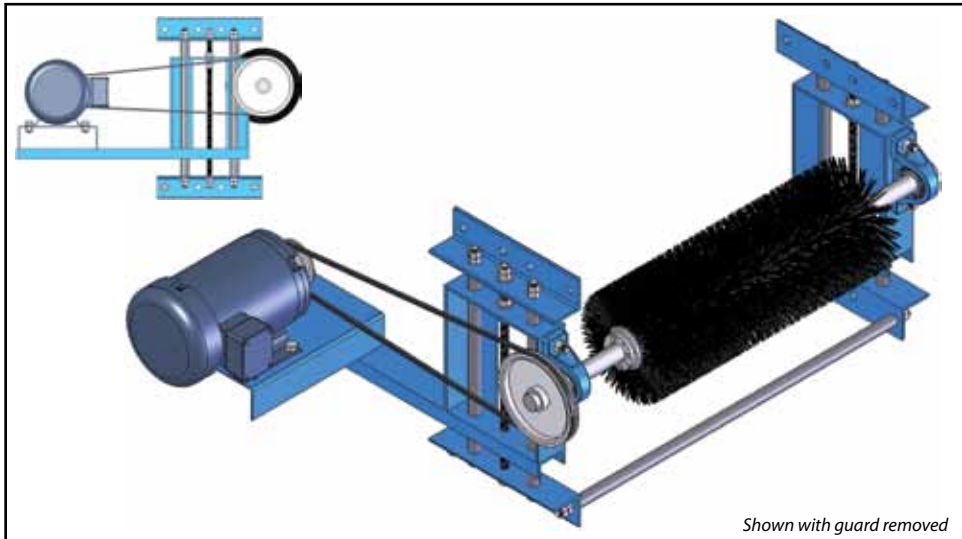
Cleaning your conveyor belt helps with belt tracking by reducing carryback build up on rollers.

ELECTRIC MOTOR

Driven by its own electric motor, the brush turns opposite to the direction of belt travel, delivering a positive cleaning action.

CUSTOMIZE

Luff can custom build the unit, providing ultimate performance specifically suited to your needs.



Shown with guard removed

FEATURES

- Take-up style rod assembly provides easy brush adjustment
- Hanger brackets mount directly on the conveyor frame for easy installation

1,200 rpm Motor

10" Dia. Brush

Easy Installation

Pillow Block Bearings

- Standard length shafts are available, or shafts can be supplied extra-long for field installation
- Pillow block bearings for dependable, friction-free drive (lubricated periodically)
- TEFC 1,200 rpm motor. 60 cycle, three phase, 230/460-volts. Explosion proof & 575-volt available
- Brush speed can be adjusted independently of belt speed (brush speed is typically 2-3 times faster than the conveyor speed)
- Standard 10-inch diameter brush, with 3-inch bristles, is the finest quality brush available on the market today. Other brush diameters and bristle lengths available upon request
- Cross members provide strength and stability to the cleaning unit. Available extra-long for field installation
- Belt guard supplied as standard equipment

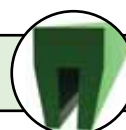
BELT CLEANER

FEATURES

- Designed to efficiently clean the conveyor belt
- Removes debris build-up, increasing performance of conveyor
- Versatile, lightweight design allows for quick and easy installation in various belt configurations
- Light weight allows for installation in tight locations
- Bolts are .75" reducing the need for multiple tools
- Economical with long blade life
- Minimal maintenance required
- Can be used on reversing belts
- Simple blade change for quick maintenance



Available for any application from **OEM to Heavy Mining**



Other urethane products available including crown bar and skirting. Call for more information: **1-888-349-LUFF (5833)**

TOLL-FREE
1-888-349-LUFF (5833)

RETROFITS



0.9375" HEX – NO SHOULDER



PIONEER



1.25" HEX – NO SHOULDER

RETROFIT IT

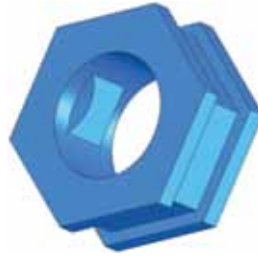
Luff Industries is able to retrofit any style of steel or impact idler

Luff has a full line of adapters available. We can retrofit your existing frame, no matter what style you've used in the past. These retrofits offer convenient adaptability when moving to Luff's high quality line of product.

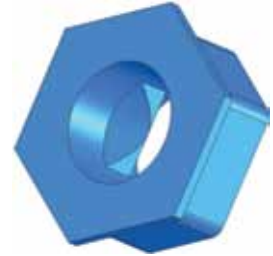
CUSTOM ADAPTERS

Custom adapters available for any application. Call for information.

Toll-Free: 1-888-349-LUFF (5833)



1.125" HEX/1.250" HEX



FORANO

ANTI-LOCK SHIELD



FEATURES

Stop material spillage from destroying your belts and rollers

The Luff Anti-Lock Shield is a protective cap to be installed on your roller ends. The cap is designed to remain stationary with the shaft and not rotate with the roller. This allows the roller to turn freely, even with material build-up between the roller end and the idler frame.

Decreases Downtime	Reduces Costs	Easy to Install
---------------------------	----------------------	------------------------

- Made of durable and flexible polyurethane
- Reduces maintenance costs
- Decreases downtime
- Easily installed in the field
- Available for all CEMA class rollers
- Adds an additional layer of protection to the seal, extending roller life

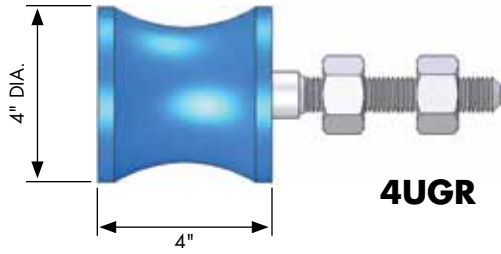
HIGH MOISTURE SEAL Available



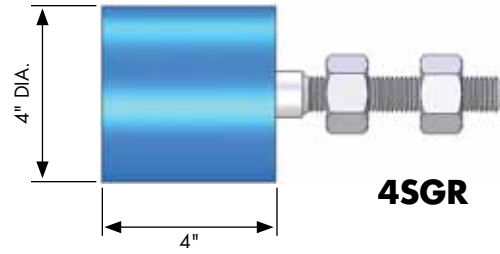
For environments with excessive moisture, including contamination from heavy wash down applications.

SPECS	PART #	DESC.
	SAL4	4" DIA. ANTI-LOCK SHIELD
	SAL5	5" DIA. ANTI-LOCK SHIELD
	SAL6	6" DIA. ANTI-LOCK SHIELD
	HMS	HIGH MOISTURE SEAL TWO ENDS
	HMS-6	HIGH MOISTURE SEAL ALL SIX ENDS

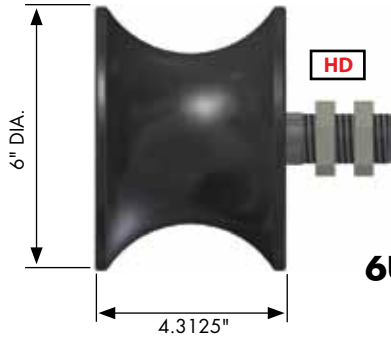
GUIDE ROLLERS



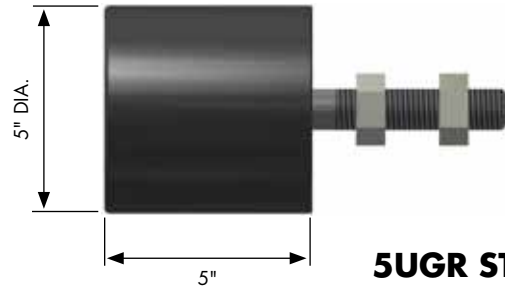
4UGR



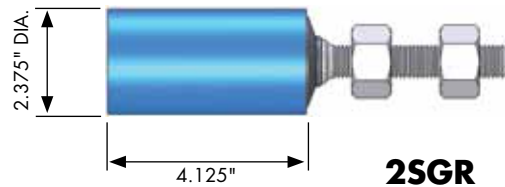
4SGR



6UGR-E



5UGR STUB



2SGR

FEATURES

4UGR GUIDE ROLLERS

Luff's polyurethane guide roller is designed to control belt alignment without causing damage to the belt as found in some steel guide idler applications. The unique design of the 4UGR ensures long life and stability through even the harshest conditions.

6205 Sealed Ball Bearings **Concave Design** **Polyurethane Shell**

- Contains two 6205 sealed ball bearings with a Luff triple labyrinth seal for added protection
- Injection-moulded shell from high quality, wear-resistant, thermoplastic polyurethane
- Full length threading for unlimited height adjustment
- Concave design is superior to flat steel guide rollers as it helps force the belt back down onto the idler rolls

6UGR-E GUIDE ROLLERS

- Built specifically for heavy belt conveyor applications including mining, ship loading and aggregate
- Made of composite urethane material, providing improved strength, durability and corrosion resistance over conventional steel guide rollers

6306 Sealed Ball Bearings **Urethane** **2-Year Warranty**

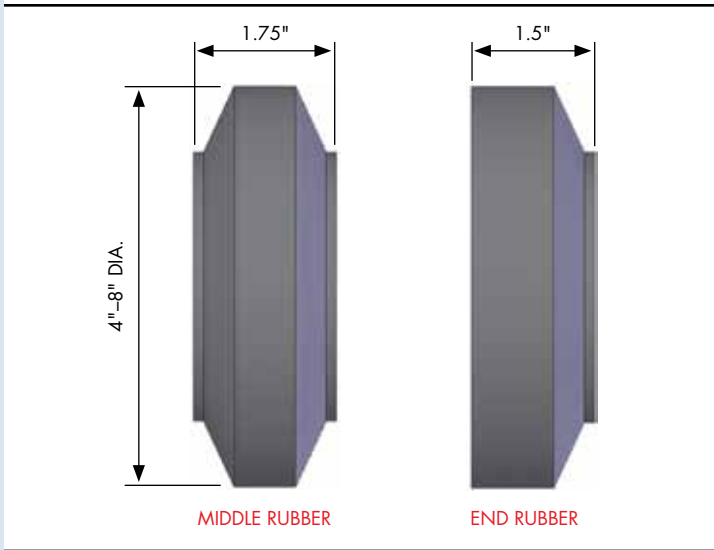
- Hourglass shape offers the ultimate in belt control, by preventing the belt from climbing the guide roller
- Consists of oversized machined shaft, two 6306 2RS C3 sealed ball bearings, Luff's patented SAE triple labyrinth sealing arrangement
- 1.125" NC threaded shaft for easy installation
- Built to last and backed by Luff's full 2-year warranty
- Various designs and profiles available, depending on application

SPECS

PART #	DESC.
TROUGH SIDE	
4UGR	4UGR URETHANE GUIDE ROLLER
4UGRB	4UGR GUIDE ROLLER & BRACKET
4SGR	4SGR STEEL GUIDE ROLLER
4SGB	WELD-ON GUIDE ROLLER BRACKET ONLY
4SGRB	4SGR GUIDE ROLLER & BRACKET
RETURN SIDE	
2SGR	2SGR GUIDE ROLLER
2SGB/SR	BOLT-ON 1.5" DROP SERIES BRACKET ONLY
2SGRB/SR	2SGR GUIDE ROLLER & BRACKET (2300)
2SGB/HSR	BOLT-ON 4.5" DROP SERIES BRACKET ONLY
2SGRB/HSR	2SGR GUIDE ROLLER & BRACKET (3400)

PART #	DESC.
5UGR STUB	5" URETHANE SIDEWALL BELT STUB ROLLER

PART #	DESC.
6UGR-E	6" URETHANE CEMA E GUIDE ROLLER



RUBBER DISCS

SPECS	PART #	TYPE
	MR4-206-100	4" DIA. END RUBBER CEMA C
	ER5-206-100	5" DIA. END RUBBER CEMA C
	MR5-206-175	5" DIA. MIDDLE RUBBER CEMA C
	ER5-214-100	5" DIA. END RUBBER CEMA D
	MR5-214-175	5" DIA. MIDDLE RUBBER CEMA D
	ER6-206-100	6" DIA. END RUBBER CEMA C
	MR6-206-175	6" DIA. MIDDLE RUBBER CEMA C
	ER6-214-100	6" DIA. END RUBBER CEMA D
	MR6-214-175	6" DIA. MIDDLE RUBBER CEMA D
	MR7-214-175	7" DIA. MIDDLE RUBBER CEMA E
	MR7-414-175	7" DIA. MIDDLE RUBBER CEMA F
	MR8-600-175	8" DIA. MIDDLE RUBBER CEMA F

URETHANE DISCS
available

2300/3400 BRACKETS

4.5"

2.625"

A

B

2.625"

3.25"

0.688"

SPECS

PART #	A	B	WEIGHT
515SR	2.5"	1.5"	1.0 lbs.
545SR*	5.5"	4.5"	1.8 lbs.

* Replaced by 945BPSR

2300 RETURN

4.5"

2.625"

A

B

2.625"

3.25"

0.688"

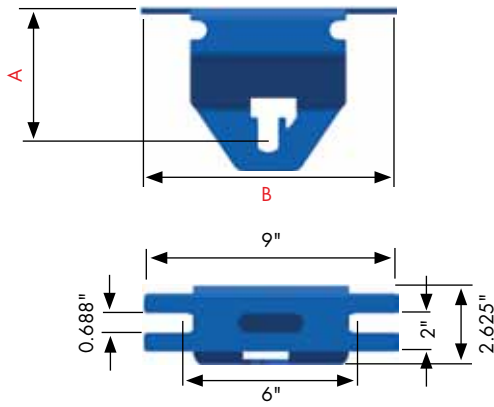
SPECS

PART #	A	B	WEIGHT
515S	2.375"	1.5"	1.0 lbs.
545S	5.375"	4.5"	1.8 lbs.

2300 CARRYING

2300/3400 BRACKETS

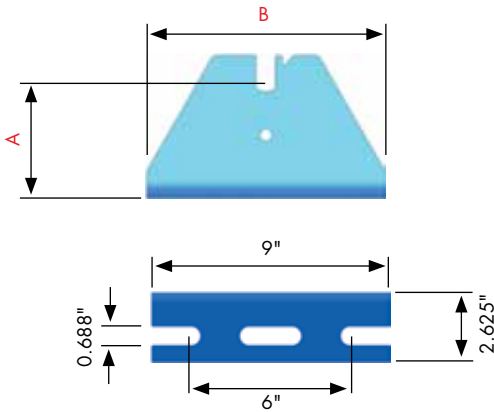
3400 RETURN



SPECS

PART #	A	B	WEIGHT
945SR	4.5"	9"	2.6 lbs.

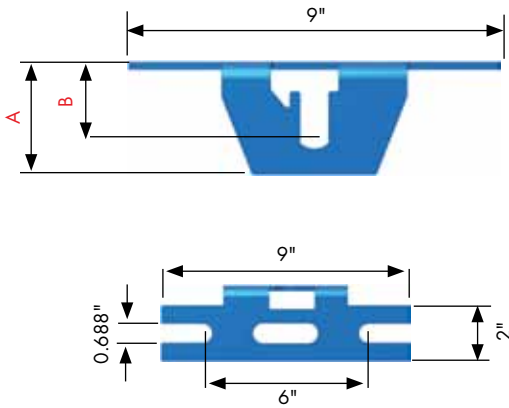
3400 CARRYING



SPECS

PART #	A	B	WEIGHT
945BPS	4.5"	9"	2.6 lbs.

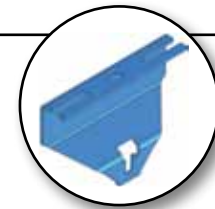
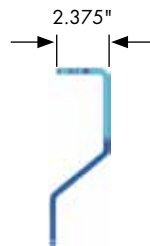
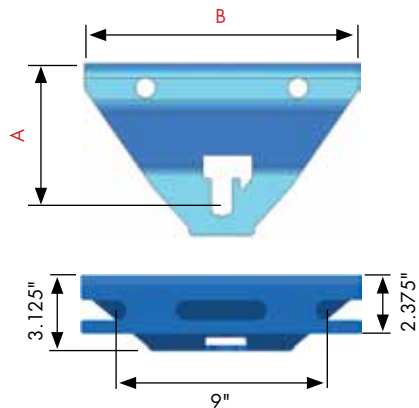
3400 RETURN



SPECS

PART #	A	B	WEIGHT
915BPSR	2.625"	1.5"	1.3 lbs.
945BPSR	5.5"	4.5"	1.9 lbs.

4500 RETURN



SPECS

PART #	A	B	WEIGHT
1270SR	7"	12"	8.0 lbs.

ROLLER DATA SHEET

COMPANY: _____

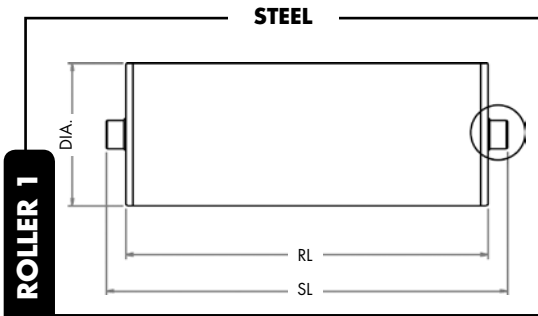
APPROVED FOR MANUFACTURE BY: _____

CONTACT: _____

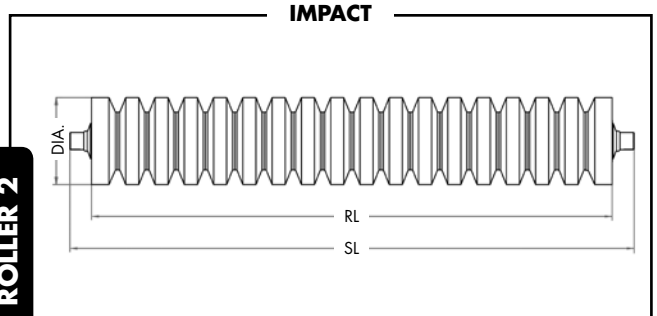
DATE: _____

PHONE #: _____

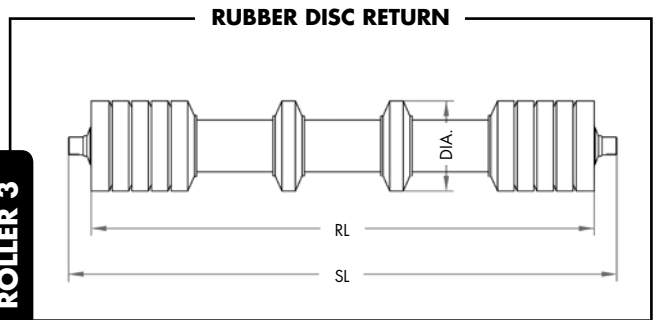
SIGNATURE _____



ROLLER 1



ROLLER 2



ROLLER 3

CHOOSE YOUR ROLLER

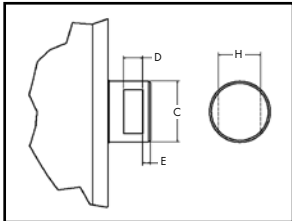
CHECK ONE

ROLLER 1 — STEEL

ROLLER 2 — IMPACT/DISC CARRYING

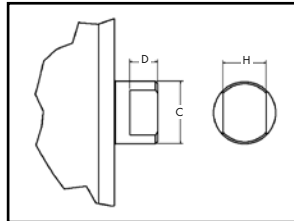
ROLLER 3 — RUBBER DISC RETURN

CHOOSE YOUR STYLE

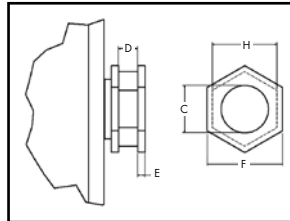


CHECK ONE

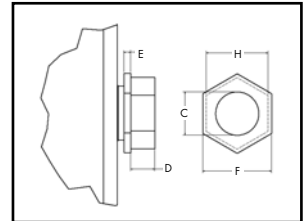
STYLE A



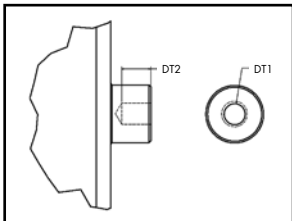
STYLE B



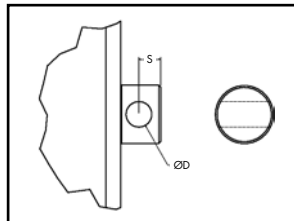
STYLE C



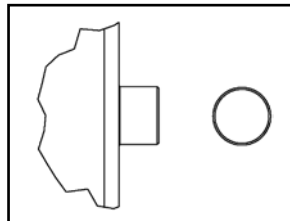
STYLE D



STYLE E



STYLE F



STYLE G



QUESTIONS?
Call Toll-Free: 1.888.349.5833

QUANTITY	IDLER DIA.	ROLLER LENGTH (RL)	SHAFT LENGTH (SL)	CEMA SERIES	SHAFT DIA. (C)	LENGTH OF SLOT (D)	LENGTH OF SHOULDER (E)	HEX FLAT WIDTH (F)	THICKNESS OF SLOT (H)

When STYLE E or F is used, replace above dimensions with: DT1 DT2 S ØD

ADAPTER NUMBER

OR

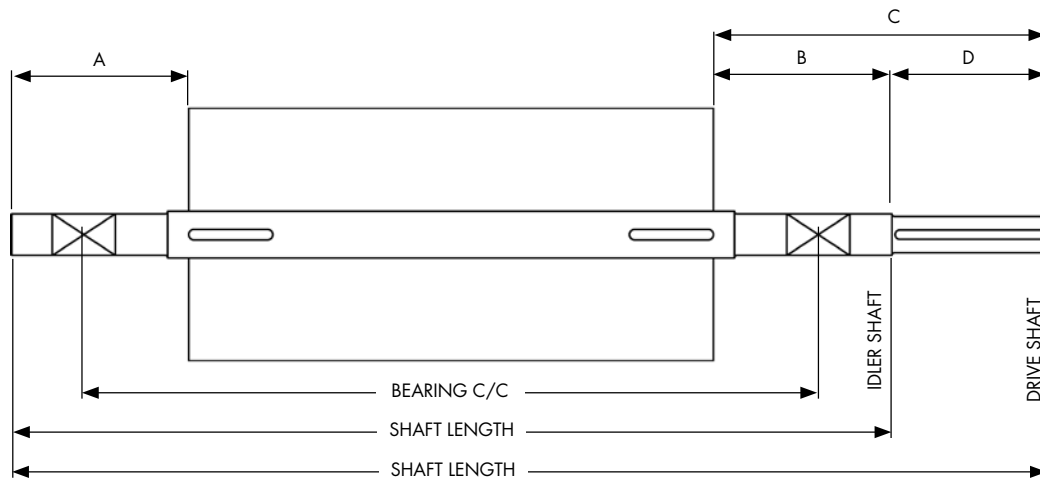
FAX TO: 403.279.5709 | EMAIL: sales@luffindustries.com

COMPANY:

PHONE #:

CONTACT:

FAX #:



ITEM #					
QUANTITY					
PULLEY LOCATION					
PULLEY TYPE (DRUM/WING)					
DIAMETER X FACE					
HUB TYPE					
BORE					
LAGGING THICKNESS					
LAGGING TYPE					
BEARING C/C					
SHAFT LENGTH					
DIMENSION A					
DIMENSION B					
DIMENSION C					
DIMENSION D					
SHAFT DIA. THRU PULLEY					
SHAFT DIA. THRU BEARING					
SHAFT DIA. THRU DRIVE					
SHAFT MATERIAL (C1018 ETC.)					
TPH (TONNES PER HOUR)					
MATERIAL CONVEYED					
TENSION T1					
TENSION T2					
MOTOR (HP)					
BELT SPEED (FPM)					

CONVEYOR PRODUCT DATA FAX SHEET



PULLEY INFORMATION



LUFF INDUSTRIES LTD.
CONVEYING PERFORMANCE